

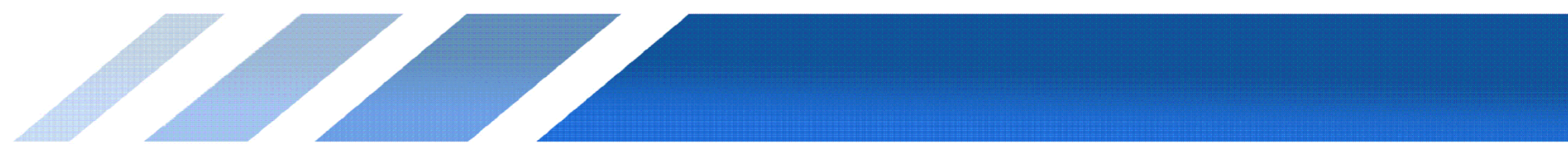
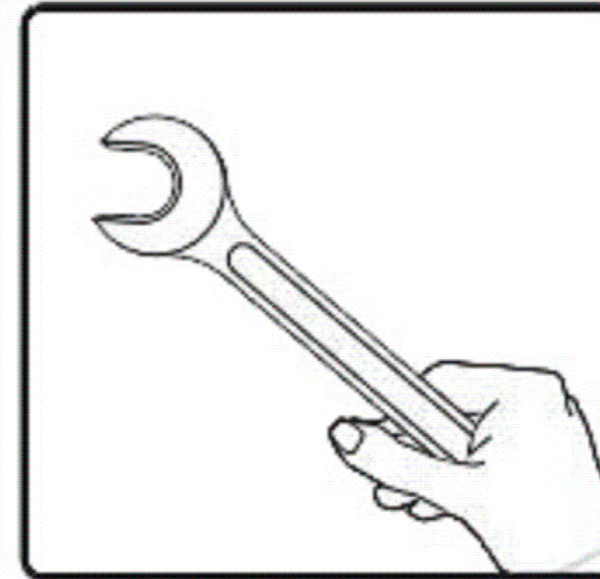
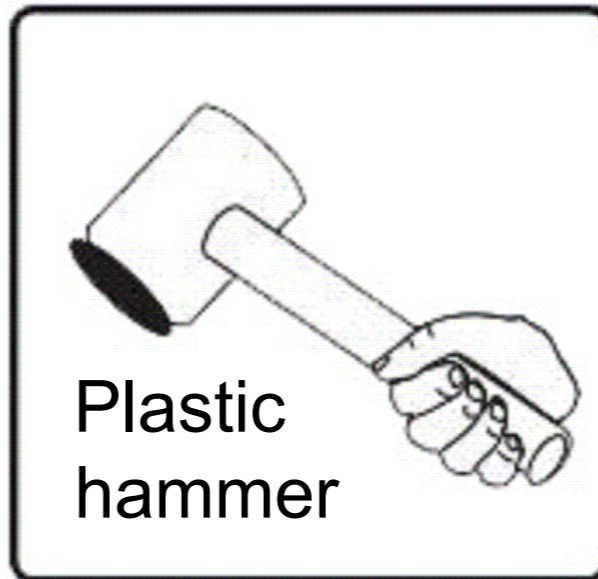
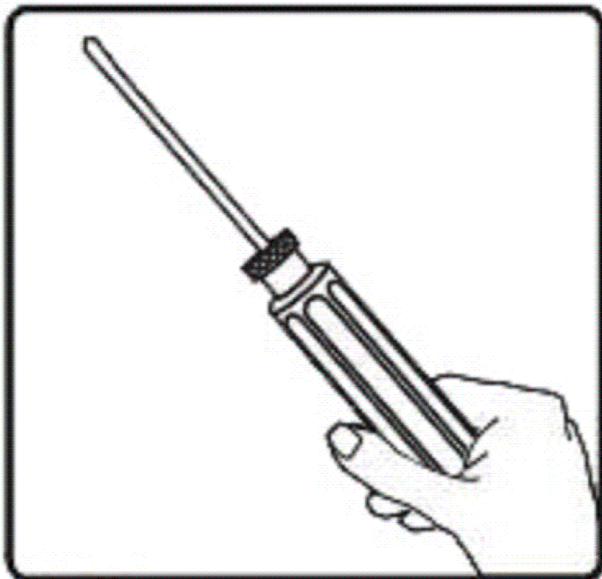
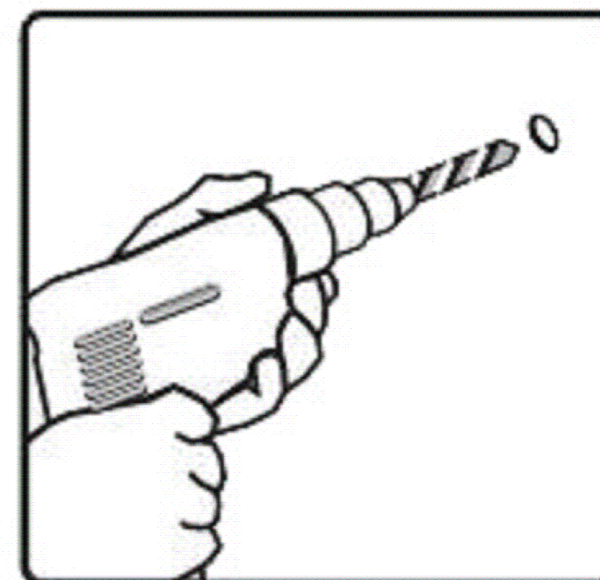
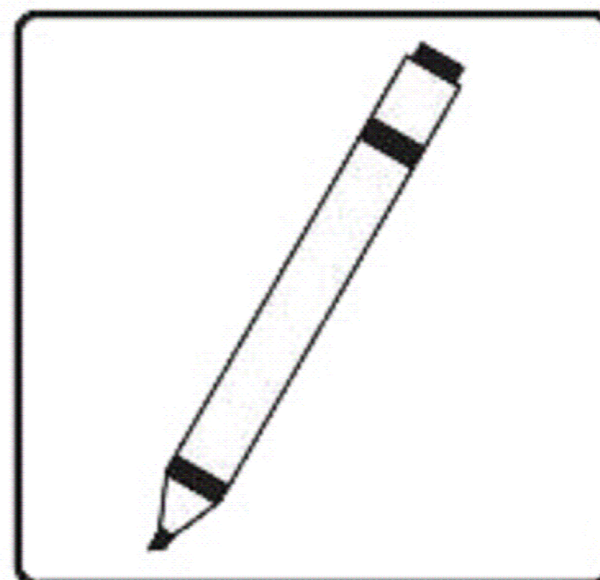
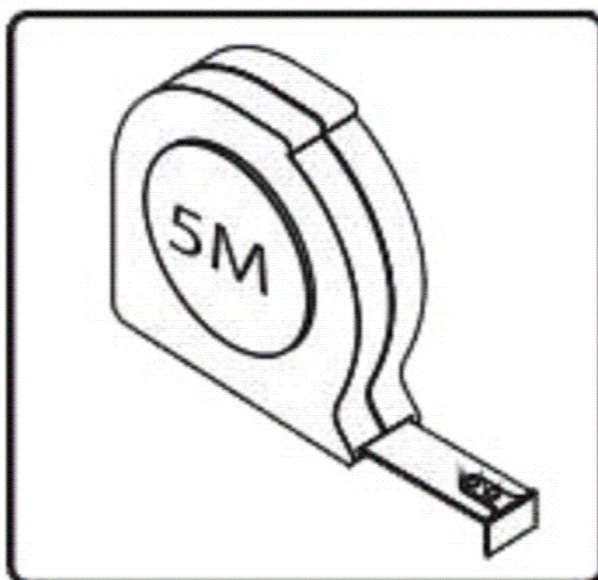
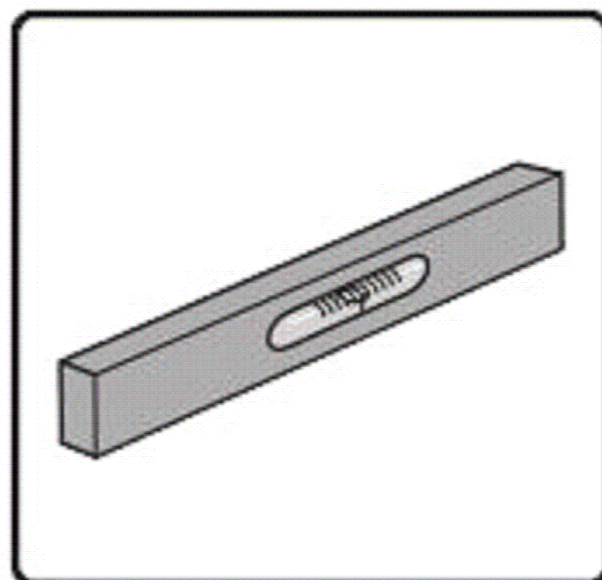
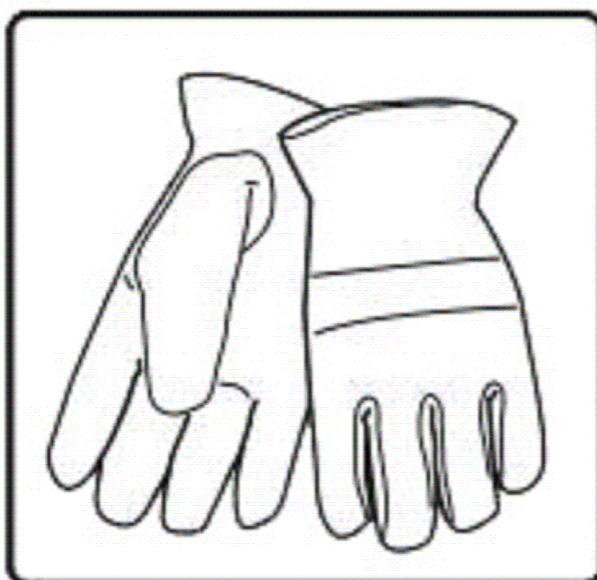
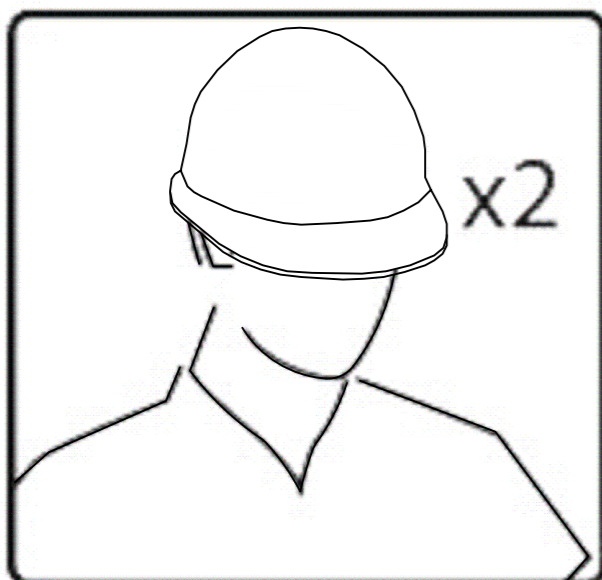
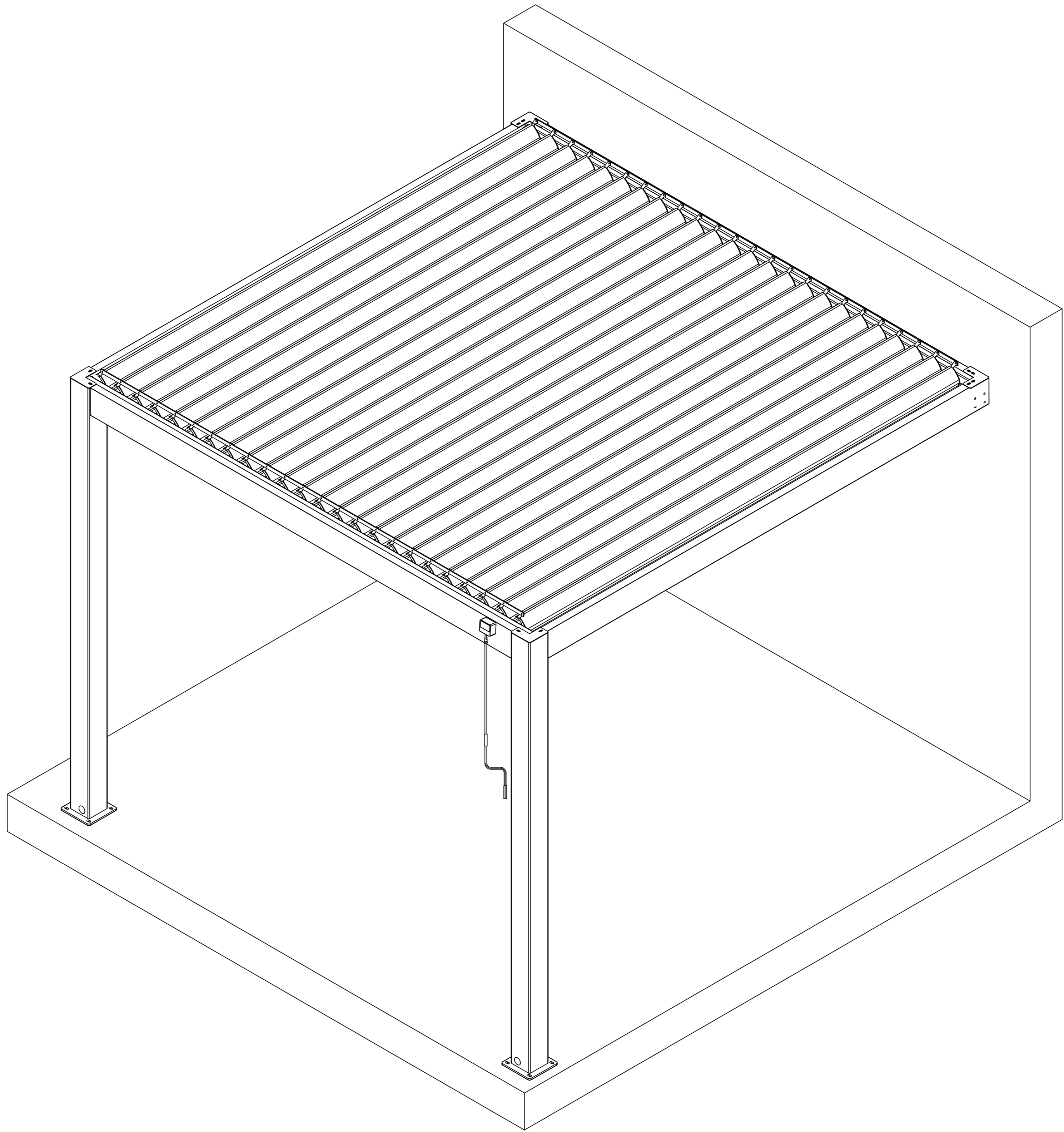


WALL MOUNTED PERGOLA GAZEBO 2 POSTS

3x4m









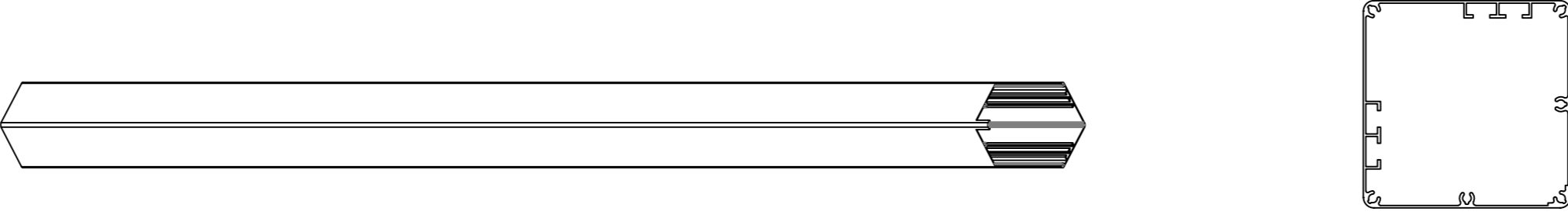
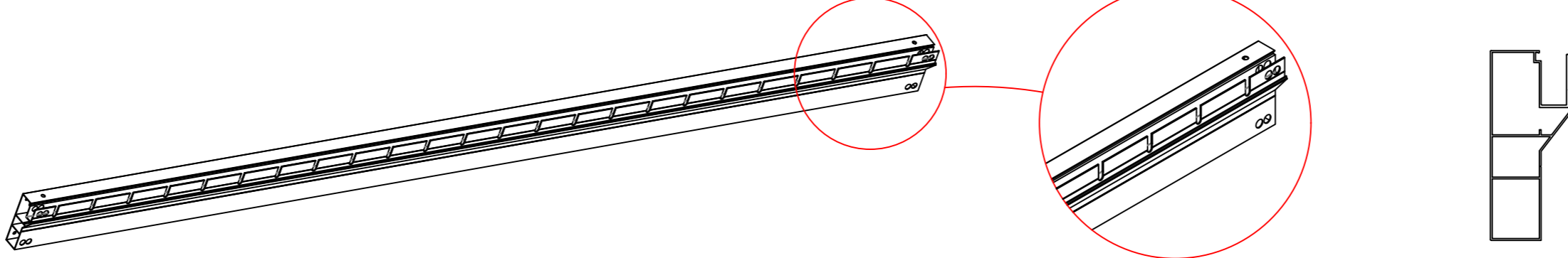
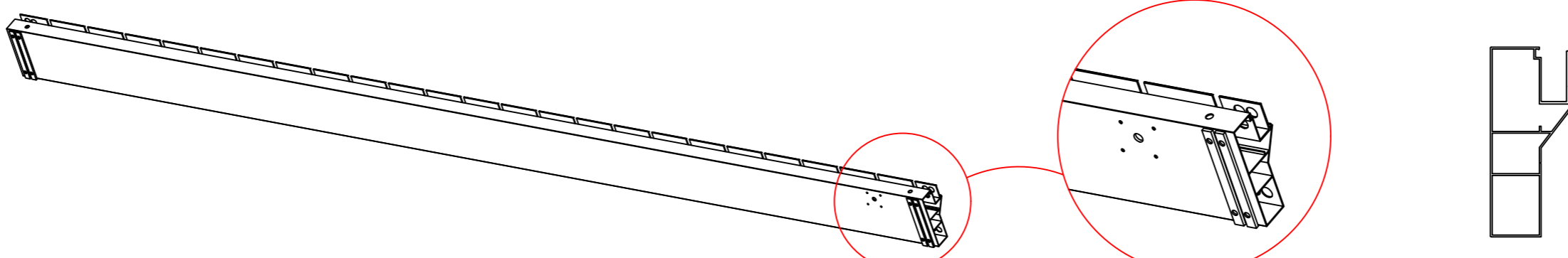
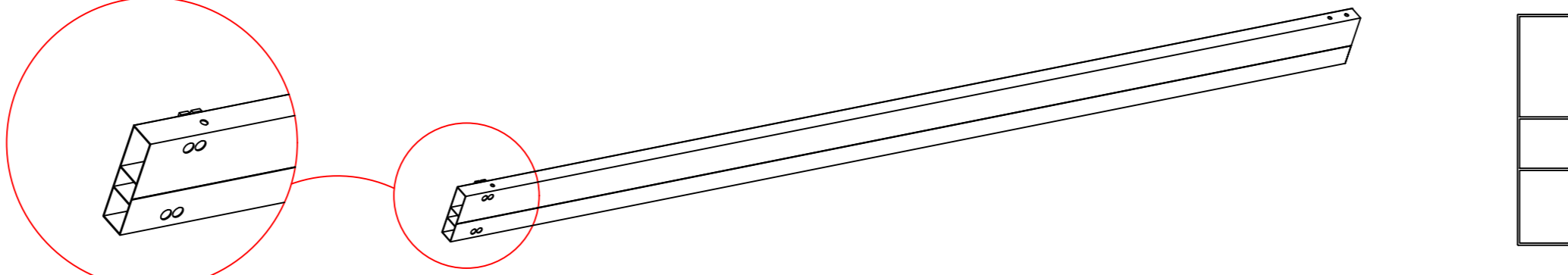
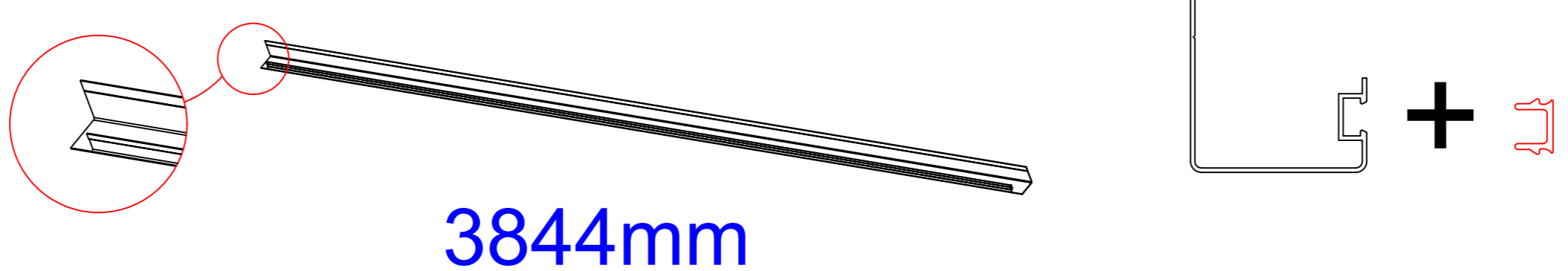
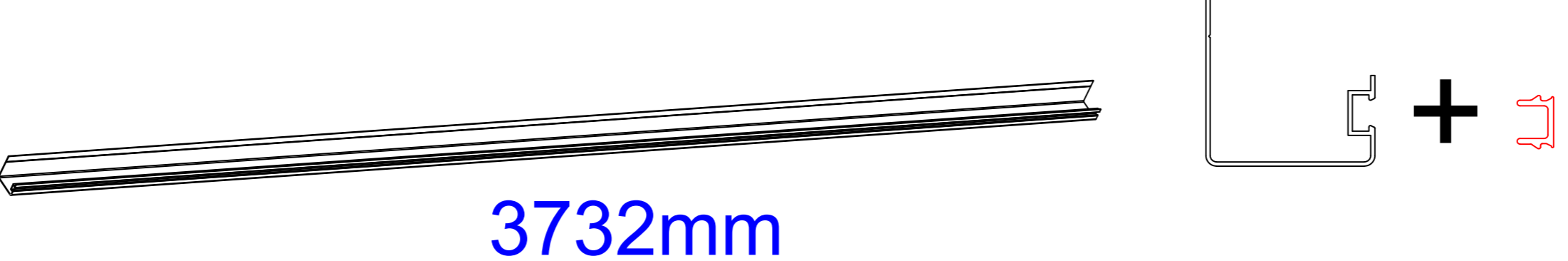
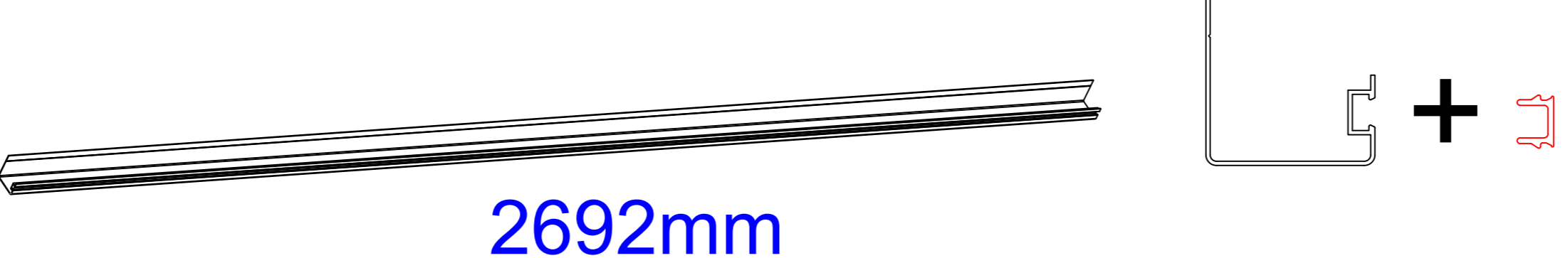
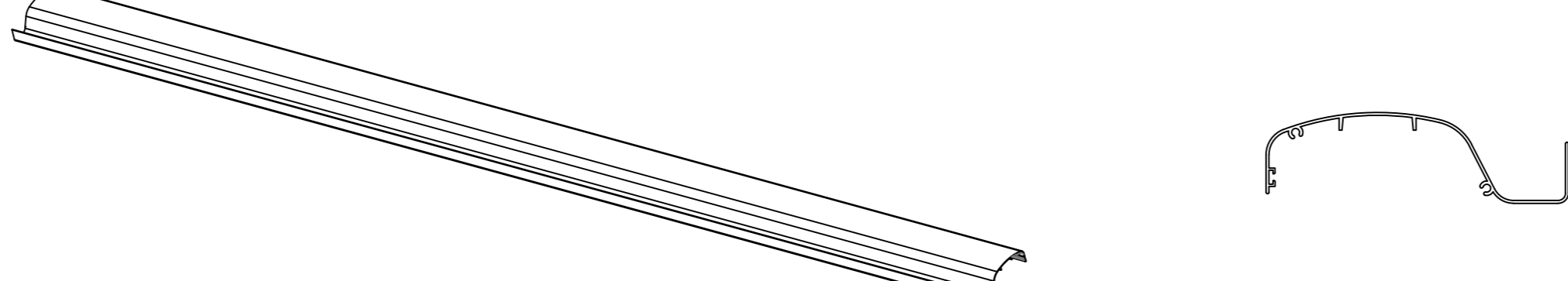
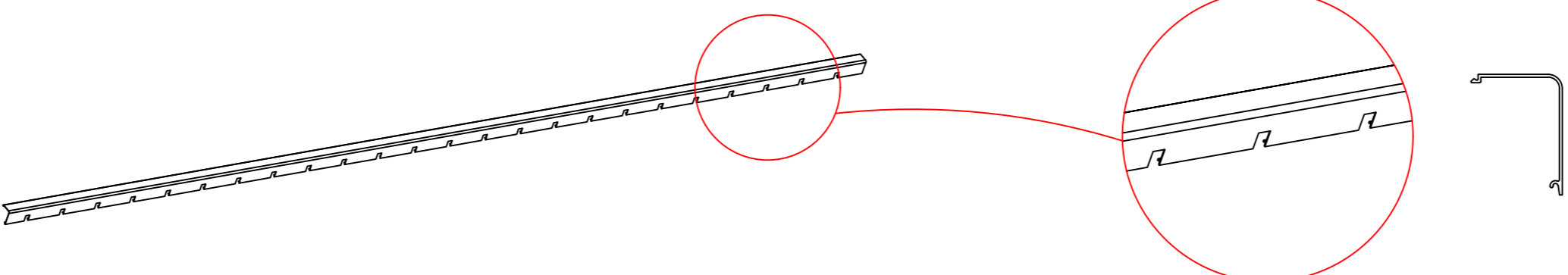
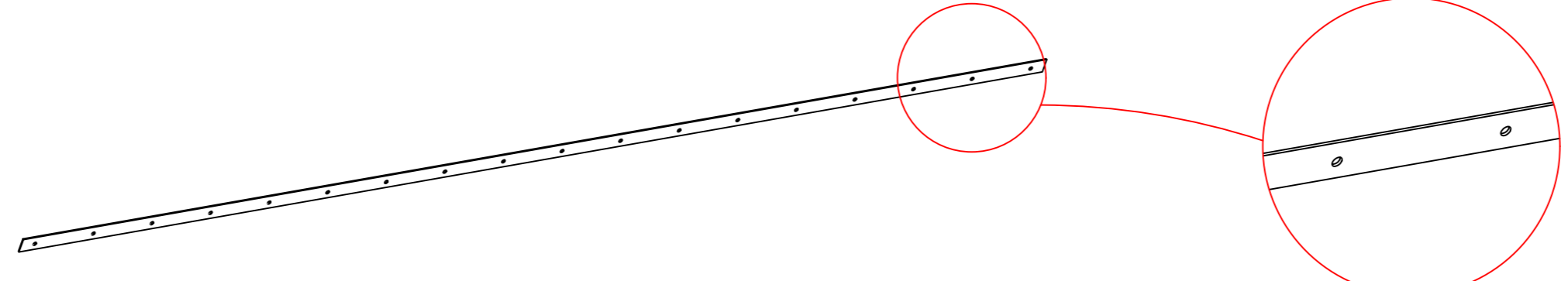
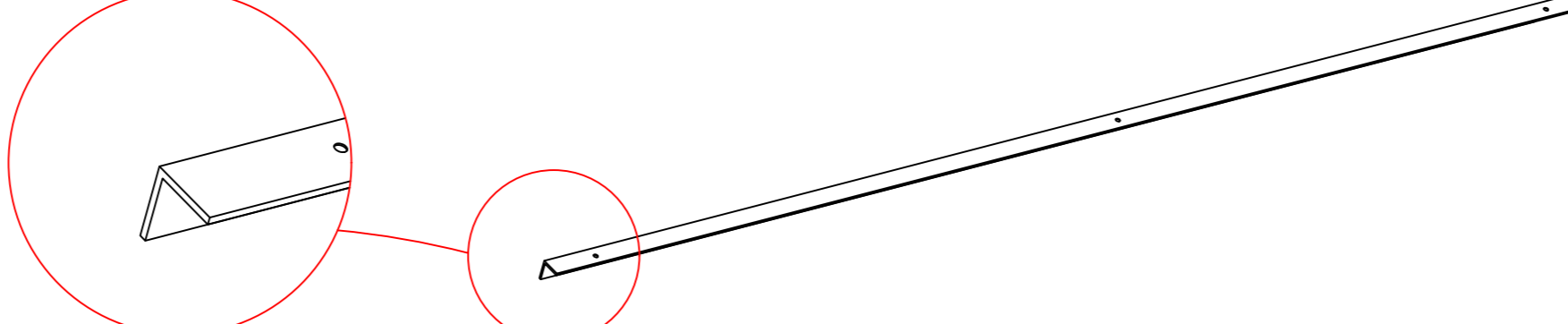
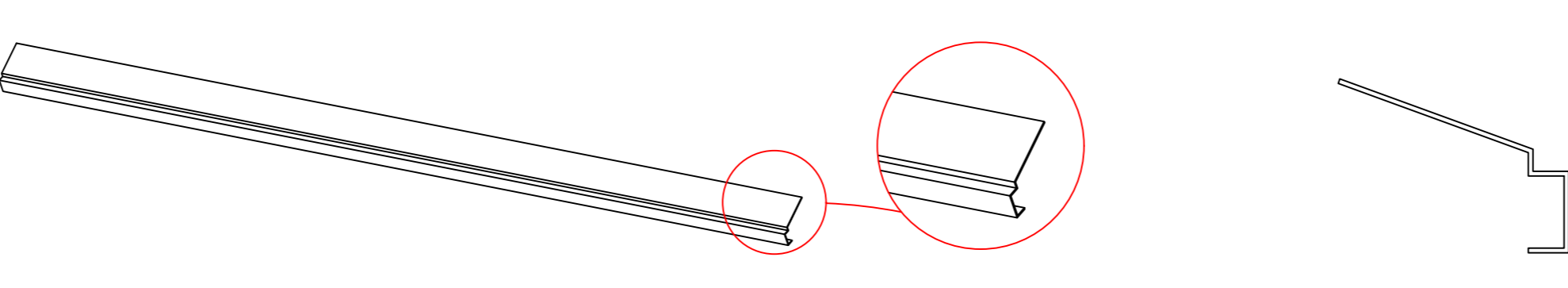


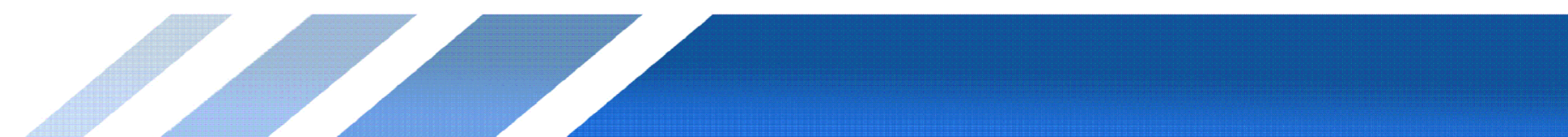
# 3×4m

	Item	Qty	Item	Qty	Item	Qty
Carton 1/4	1B-01	2	1B-11	2	1B-12	2
	1B-13	2	1B-14	1	1B-15	1
	1B-16	1	1B-18	1	1B-19	12+
	1B-20	66+	1B-21	8+	1B-22	12+
	1B-23	32+	1B-24	1	1B-35	2
	1B-36	8	1B-38	4	1B-39	12+
	1B-40	2	1B-41	2	1B-42	8
	1B-48	33+	1B-49	32+	1B-50	1
	1B-51	132+	1B-64	1		
Carton 2/4	1B-02	1	1B-03	1	1B-04	2
	1B-05 A/B/C	4	1B-08	2	1B-09	2
	1B-34	1	1B-29	2		
Carton 3/4	1B-06	12				
Carton 4/4	1B-06	21				





Item	Drawings	Qty
1B-01		2
1B-02		1
1B-03		1
1B-04		2
1B-05A	 <p style="text-align: center; color: blue;">3844mm</p>	1
1B-05B	 <p style="text-align: center; color: blue;">3732mm</p>	1
1B-05C	 <p style="text-align: center; color: blue;">2692mm</p>	2
1B-06		33
1B-08		2
1B-09		2
1B-34		1
1B-29		2







Item	Drawings	Qty
1B-11		2
1B-12		2
1B-13		2
1B-14		1
1B-15		1
1B-16		1
1B-18		1
1B-19	 M8*20	12+
1B-20	 M8*20	66+
1B-21	 M10*80	8+
1B-22	 M5.5*50	12+
1B-23	 M4.2*19	32+
1B-24		1
1B-35		2

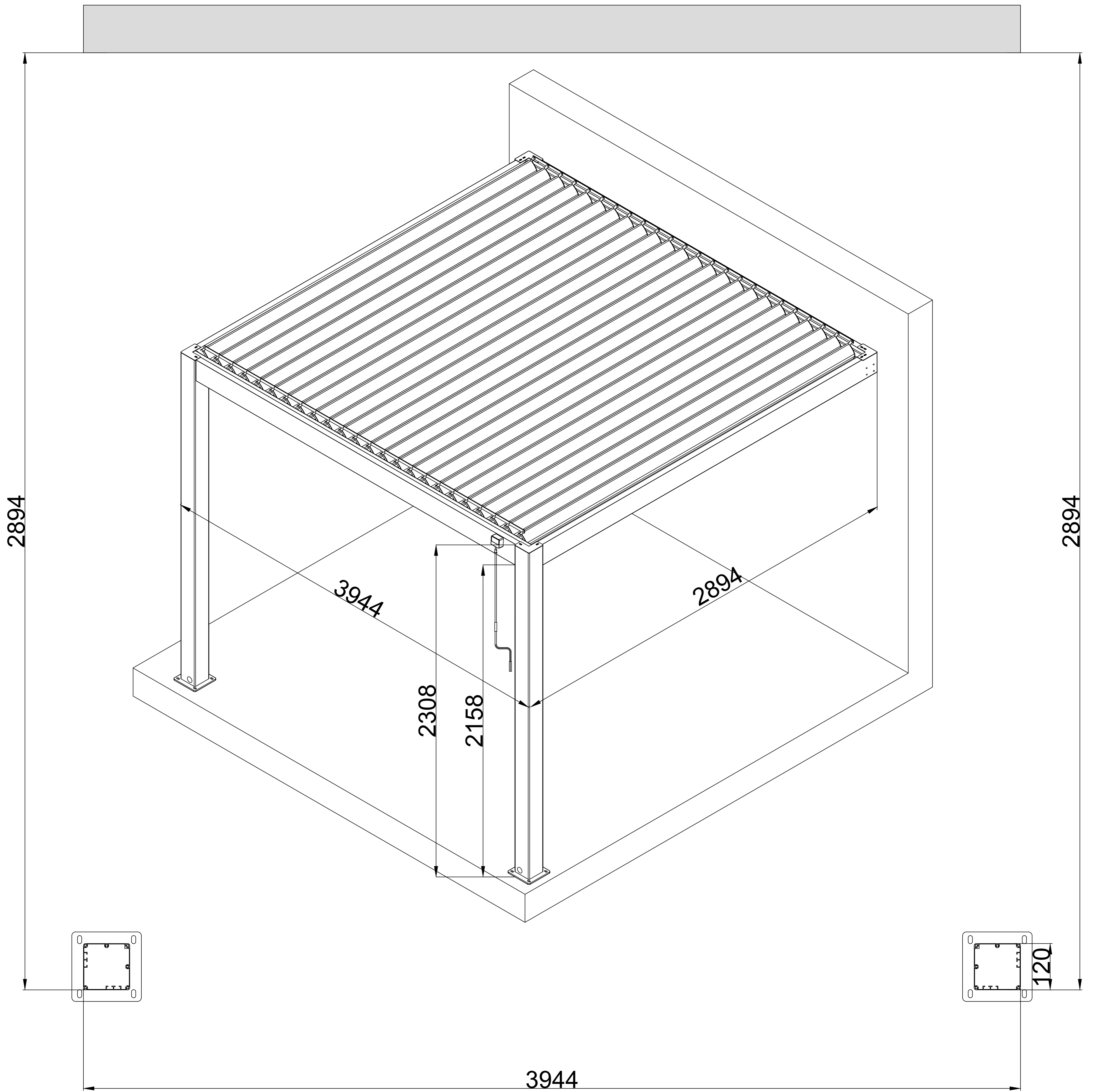
Item	Drawings	Qty
1B-36	 M8*80	8
1B-38	 M5.5*25	4
1B-40		2
1B-41		2
1B-42	 M10*20	8
1B-39	 M8*60	12+
1B-48		33+
1B-49		32+
1B-50		1
1B-51	 M3.5*25	132+
1B-64		1



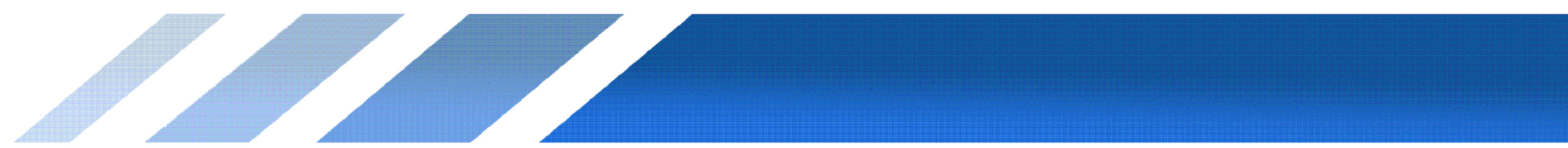




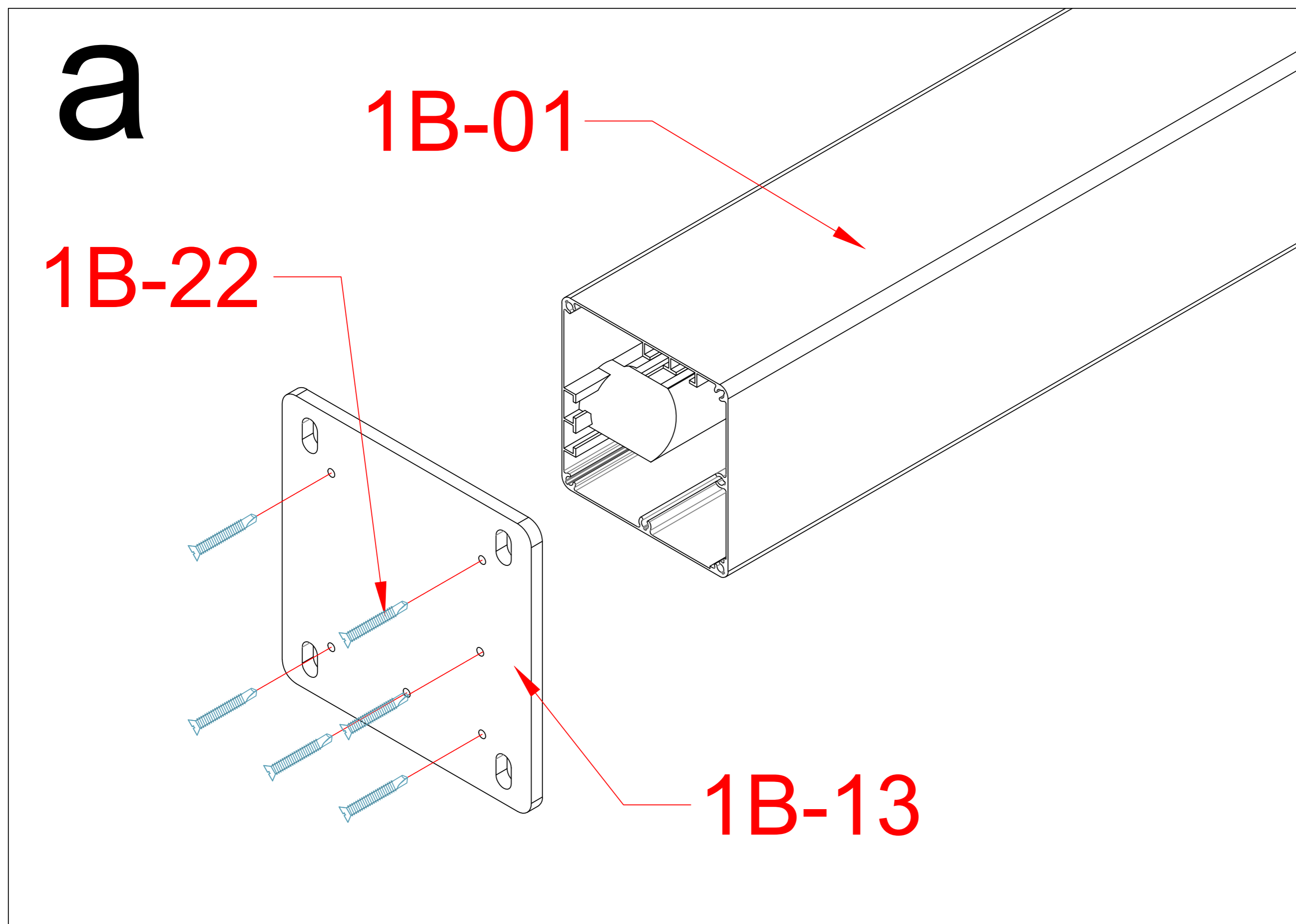
3x4m



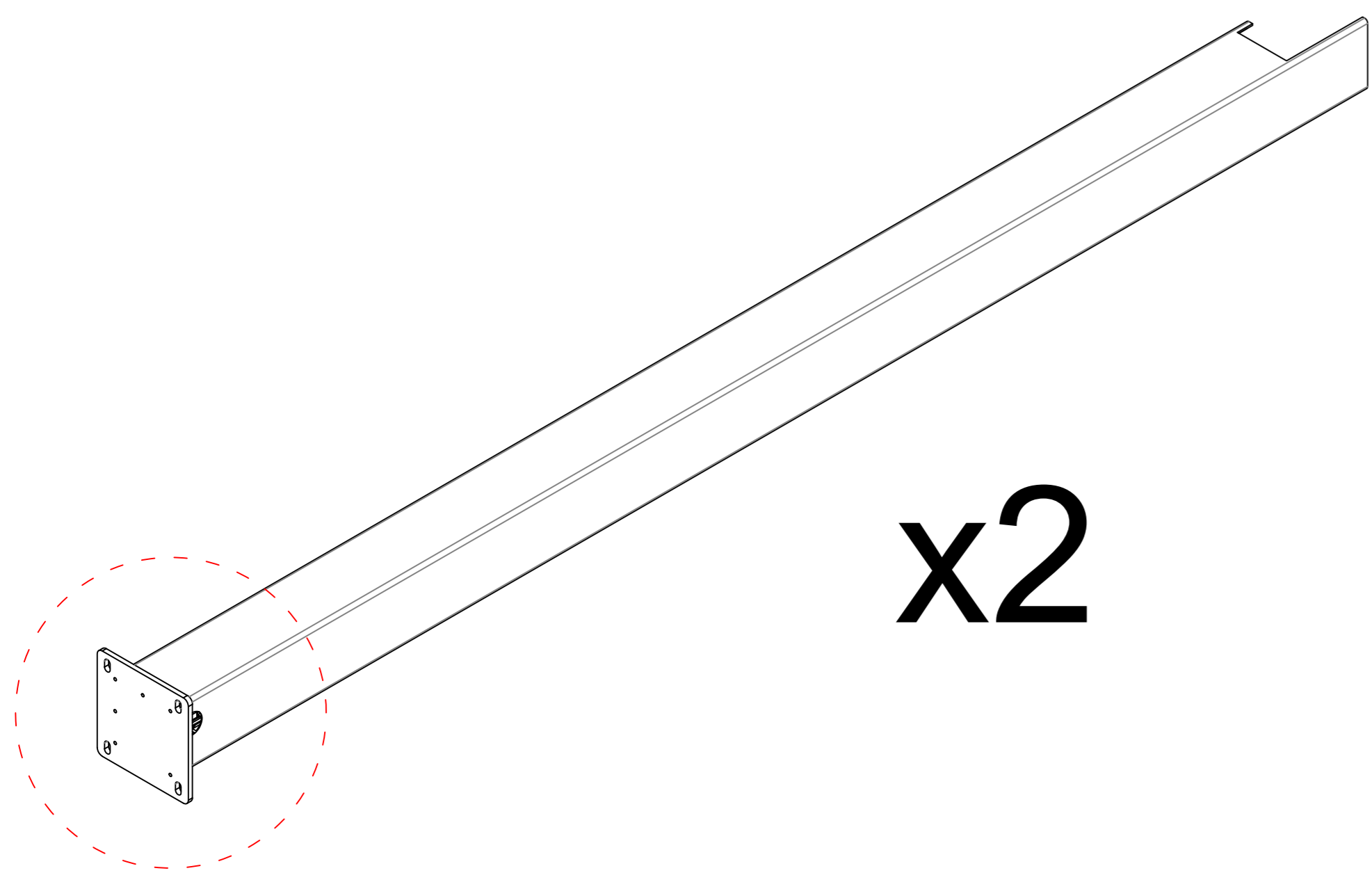
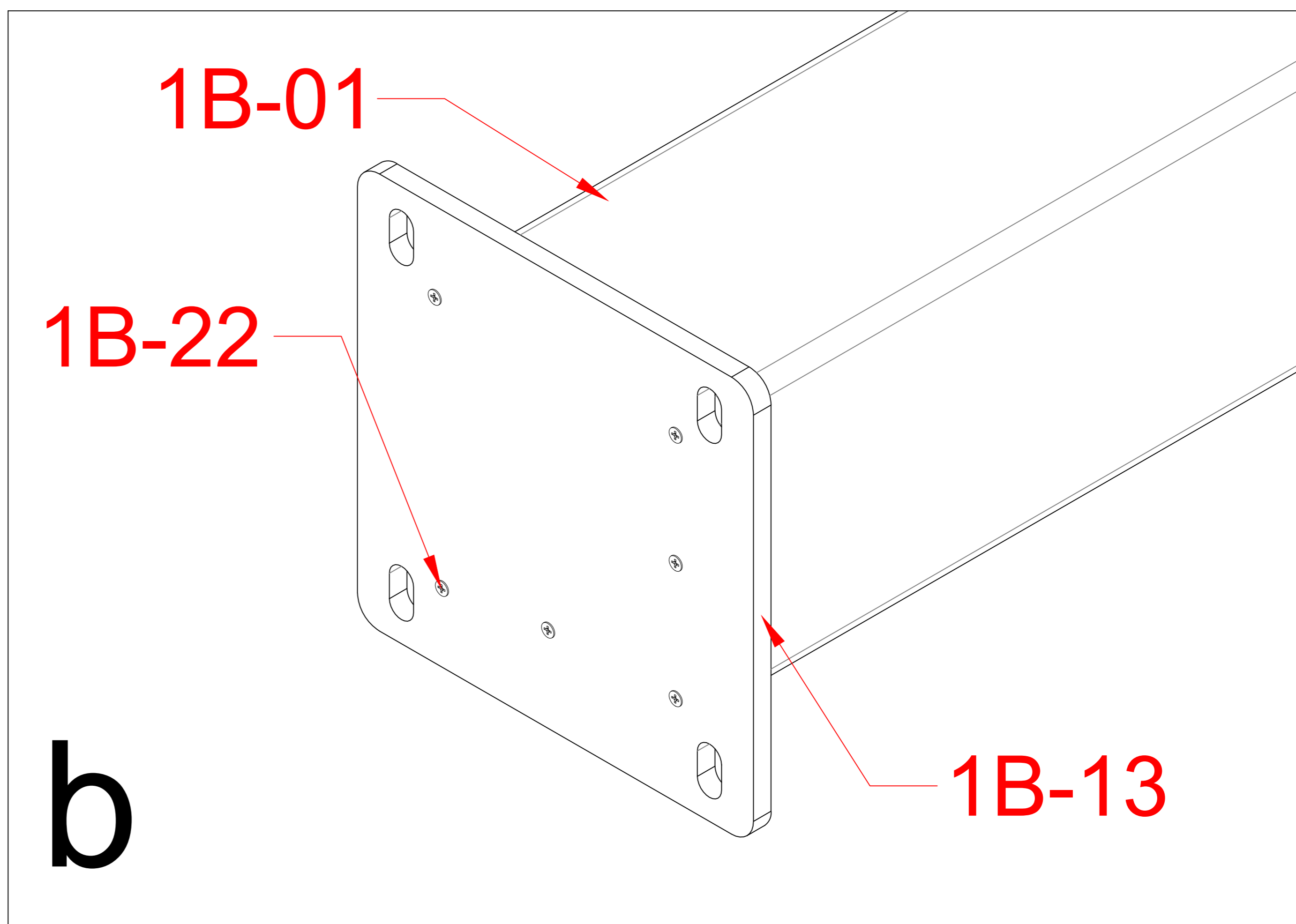
3x4-4



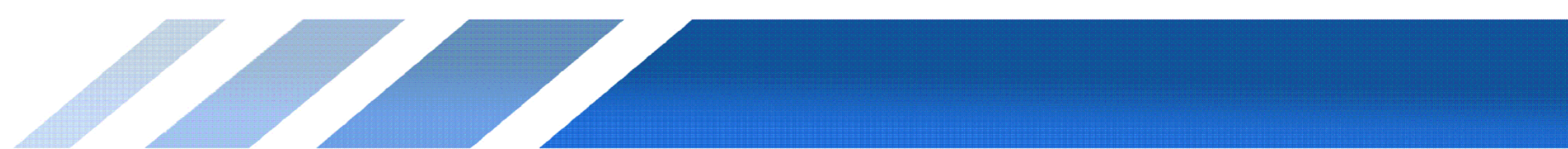




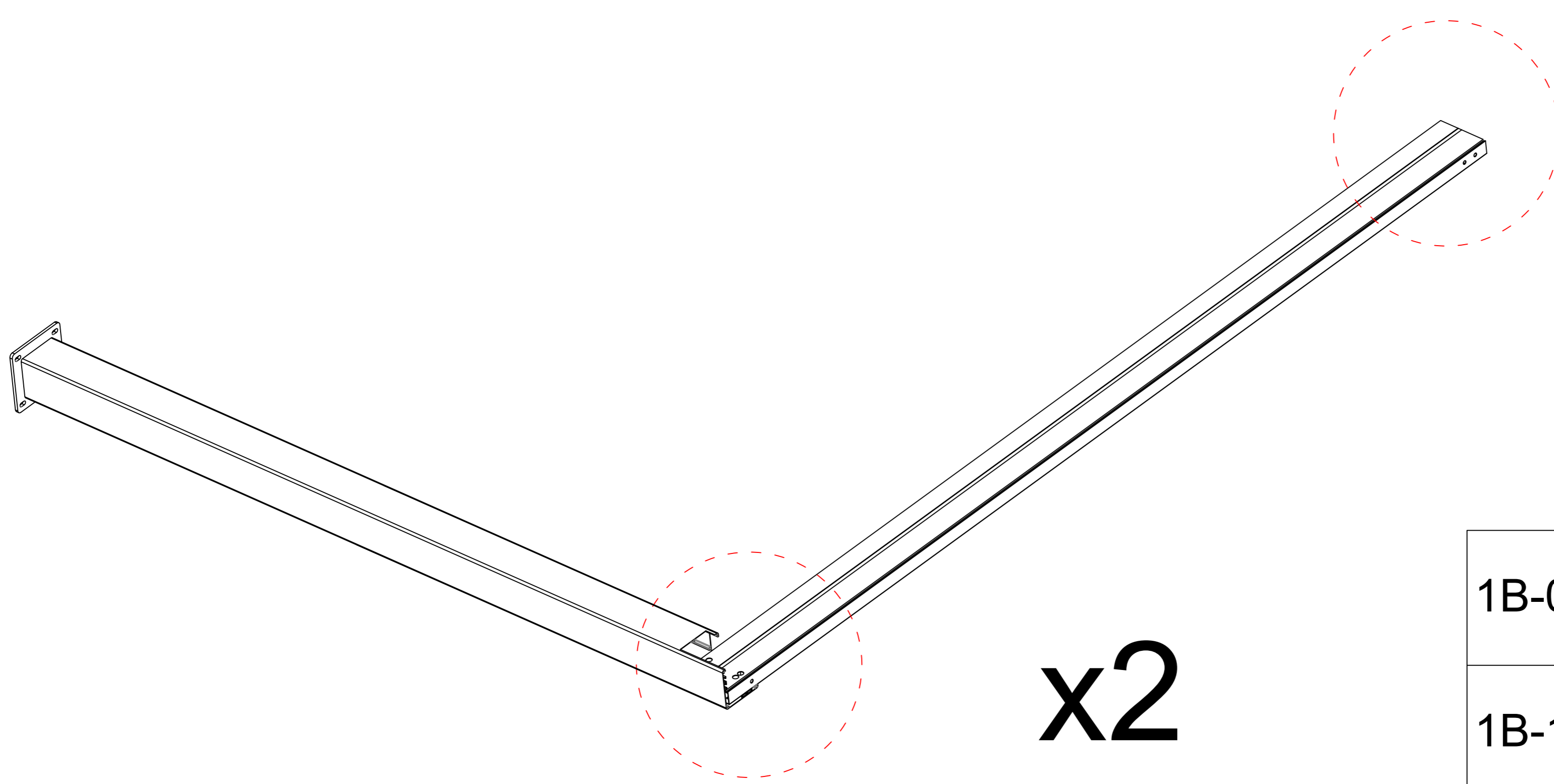
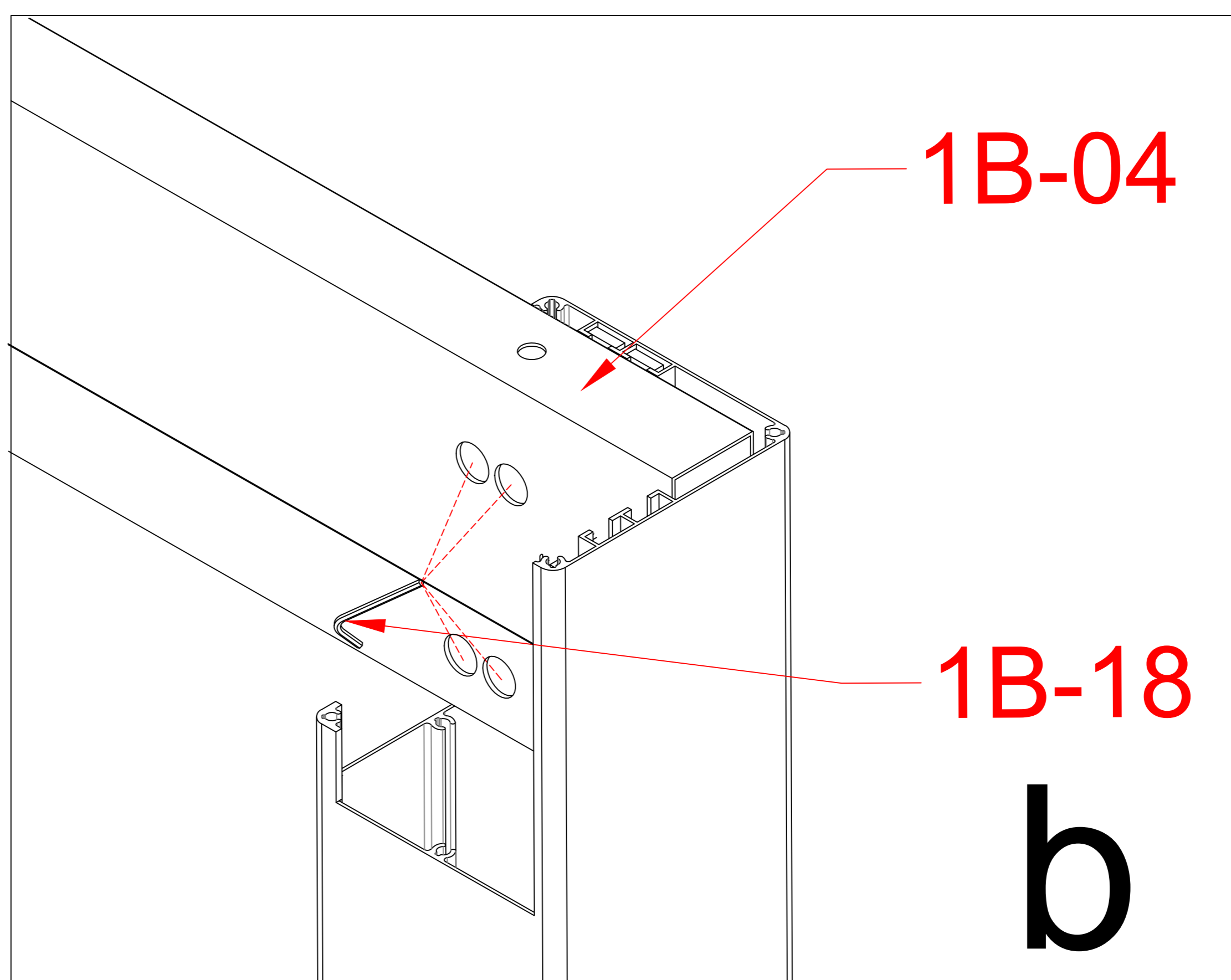
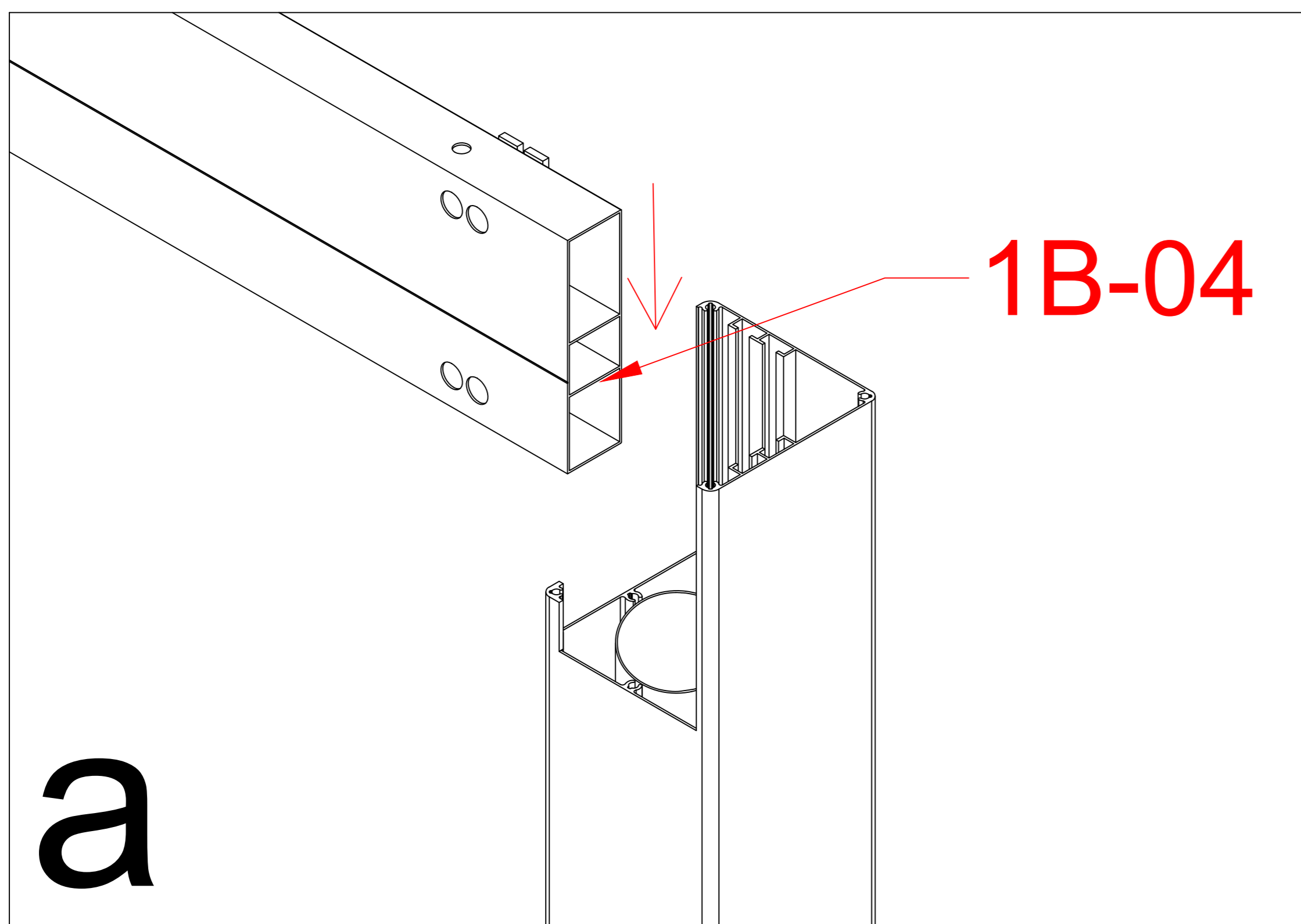
If there are electrical components including motor, blinds or LED light, Set the wire through the post firstly, otherwise it would be very difficult to do so after pergola was assembled.



1B-01		2
1B-13		2
1B-22	 M5.5*50	12

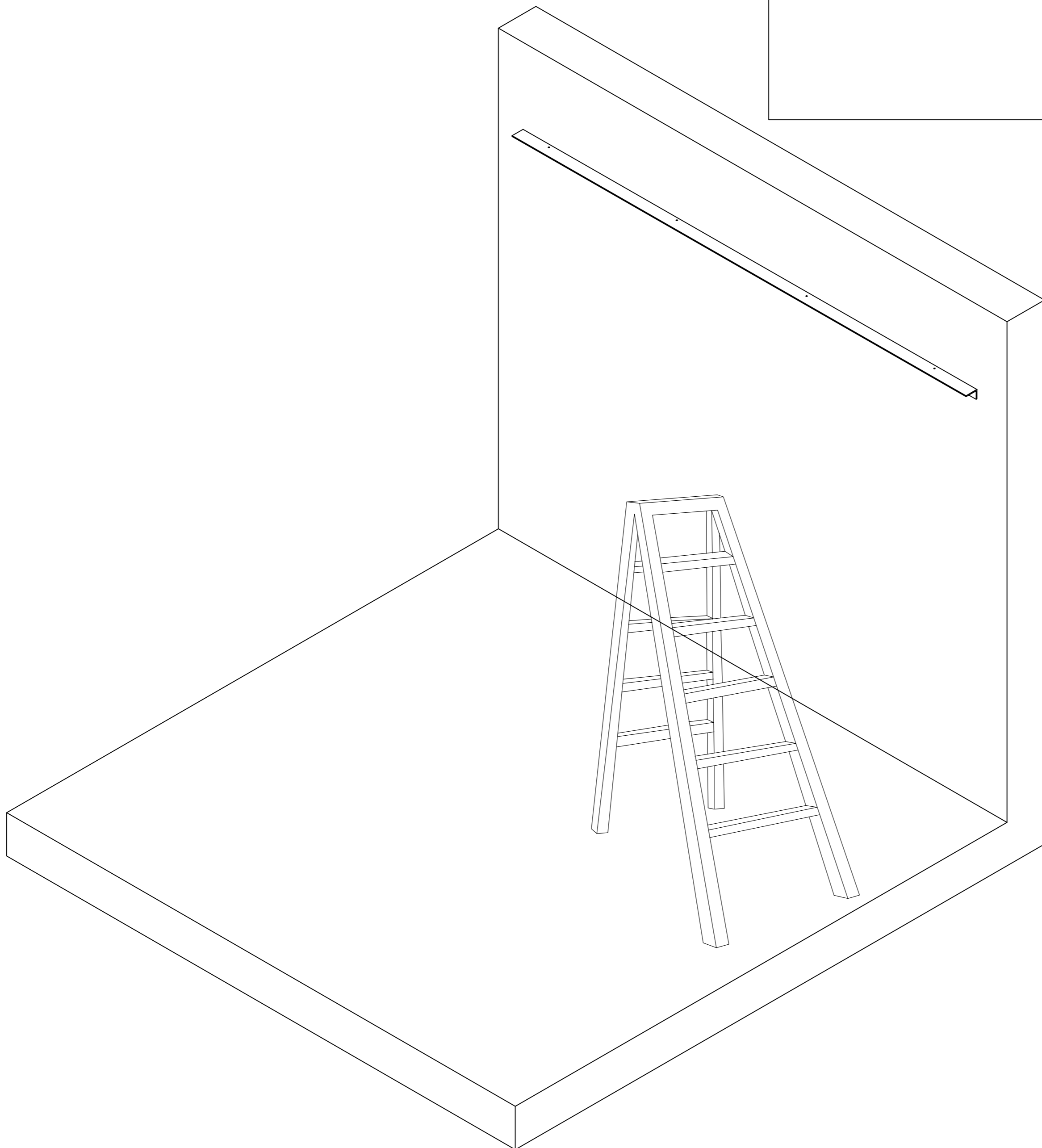
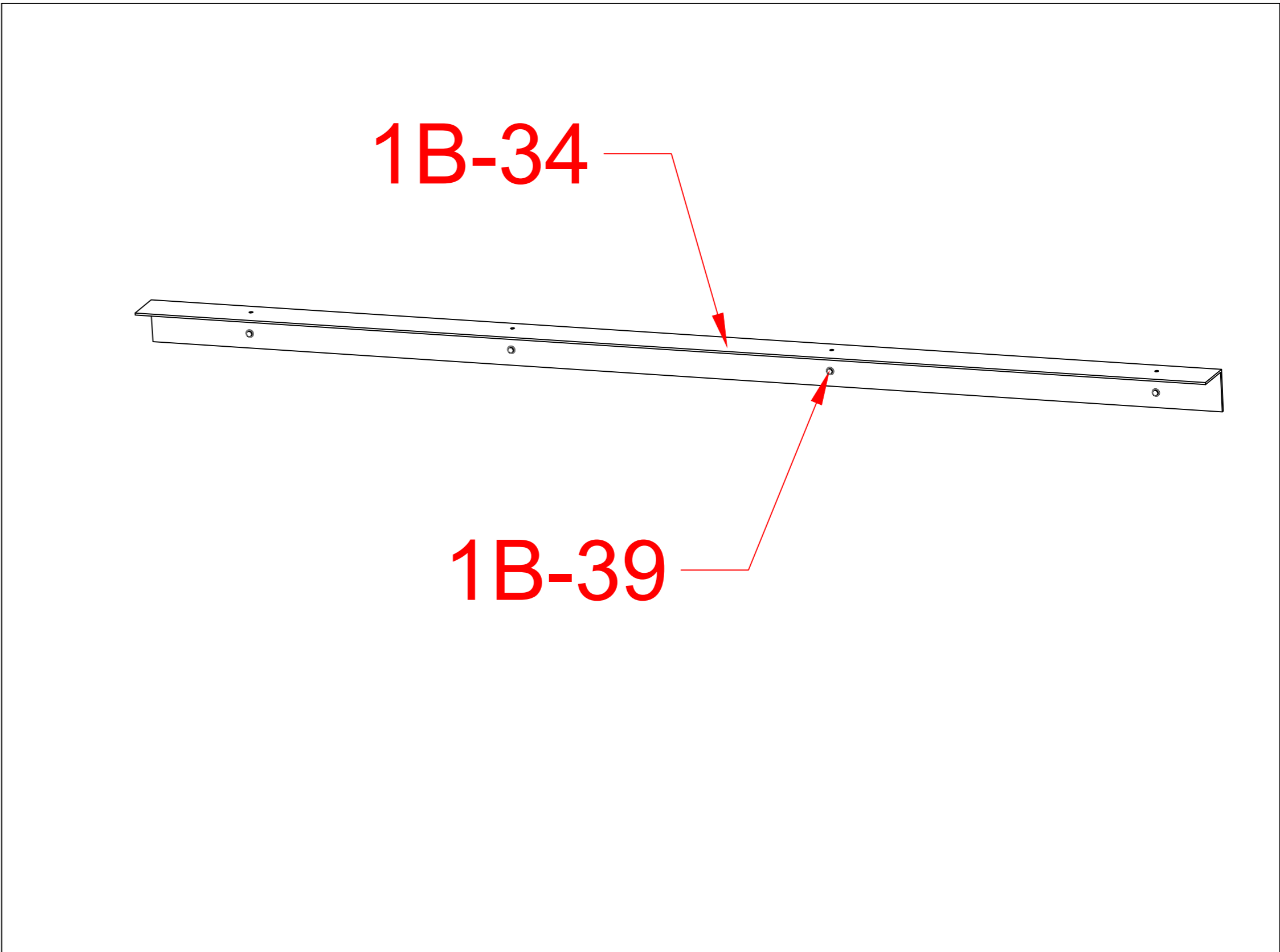
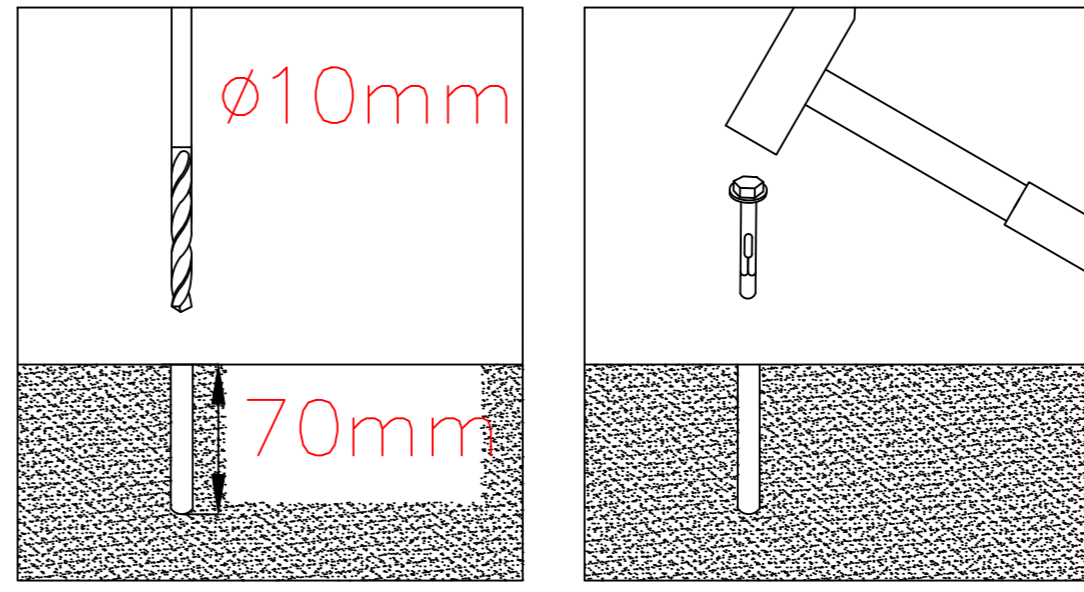
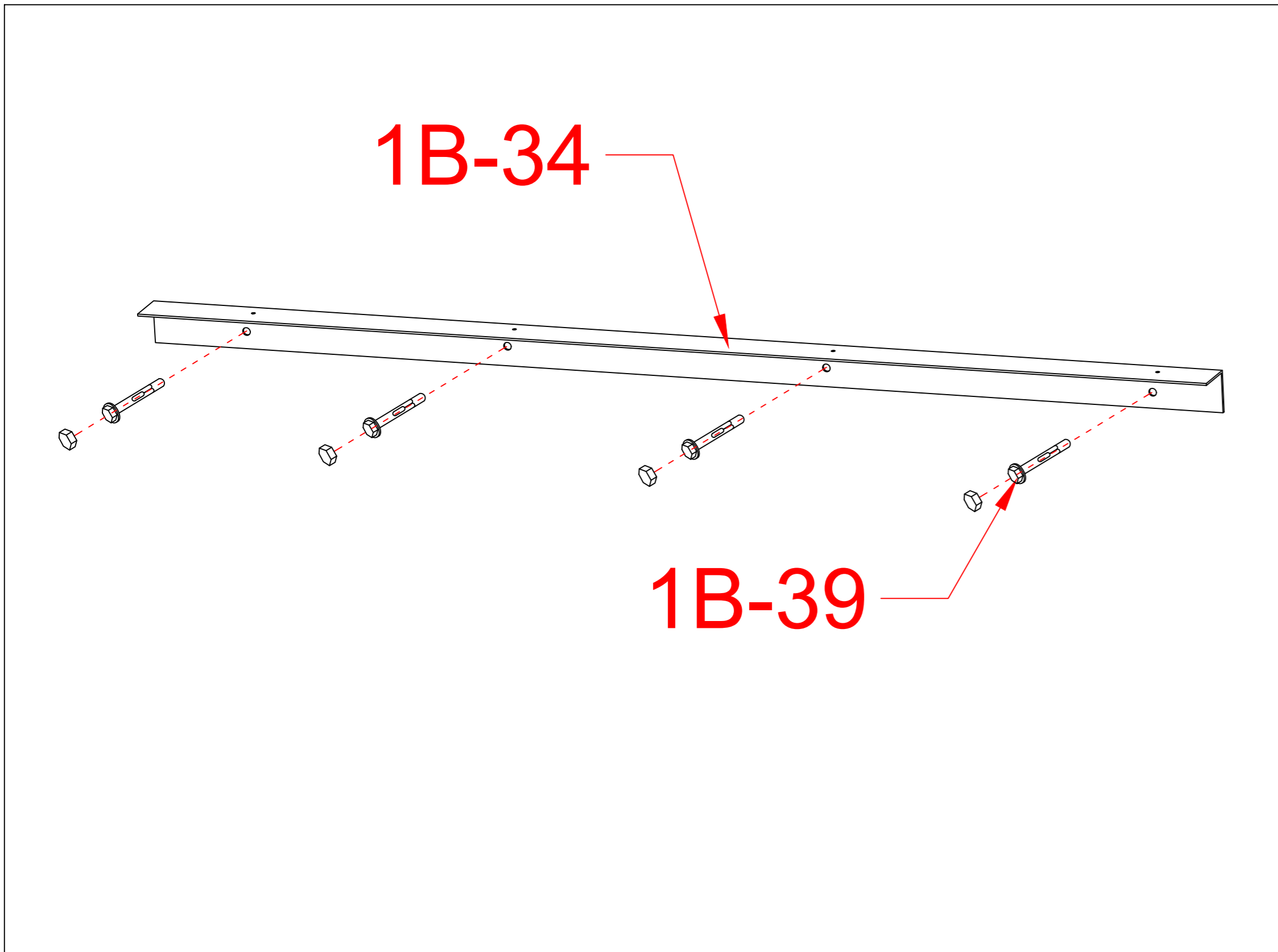




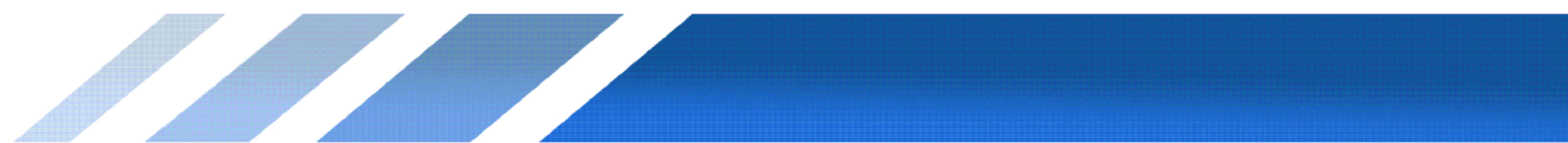


1B-04		2
1B-18		1

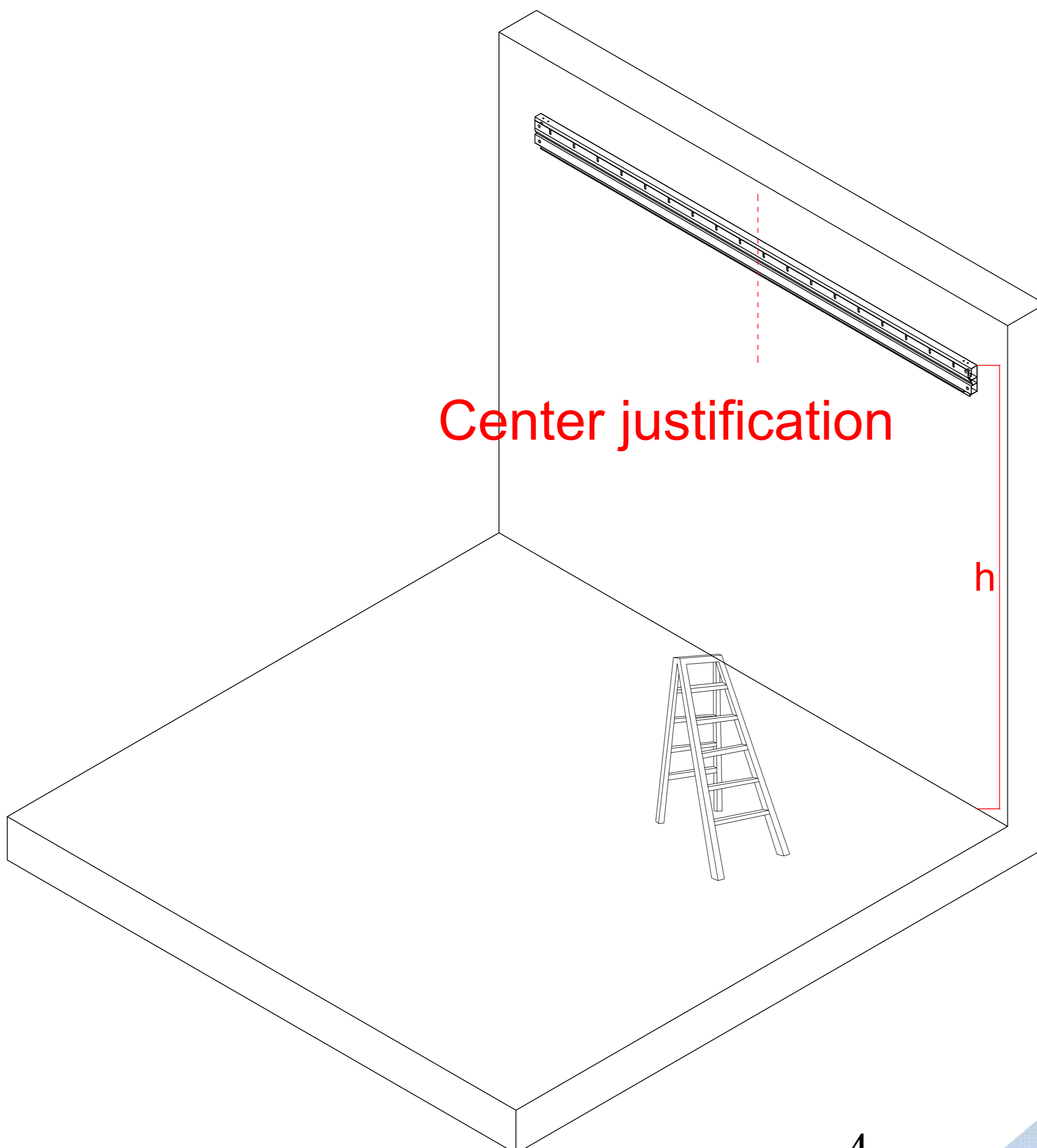
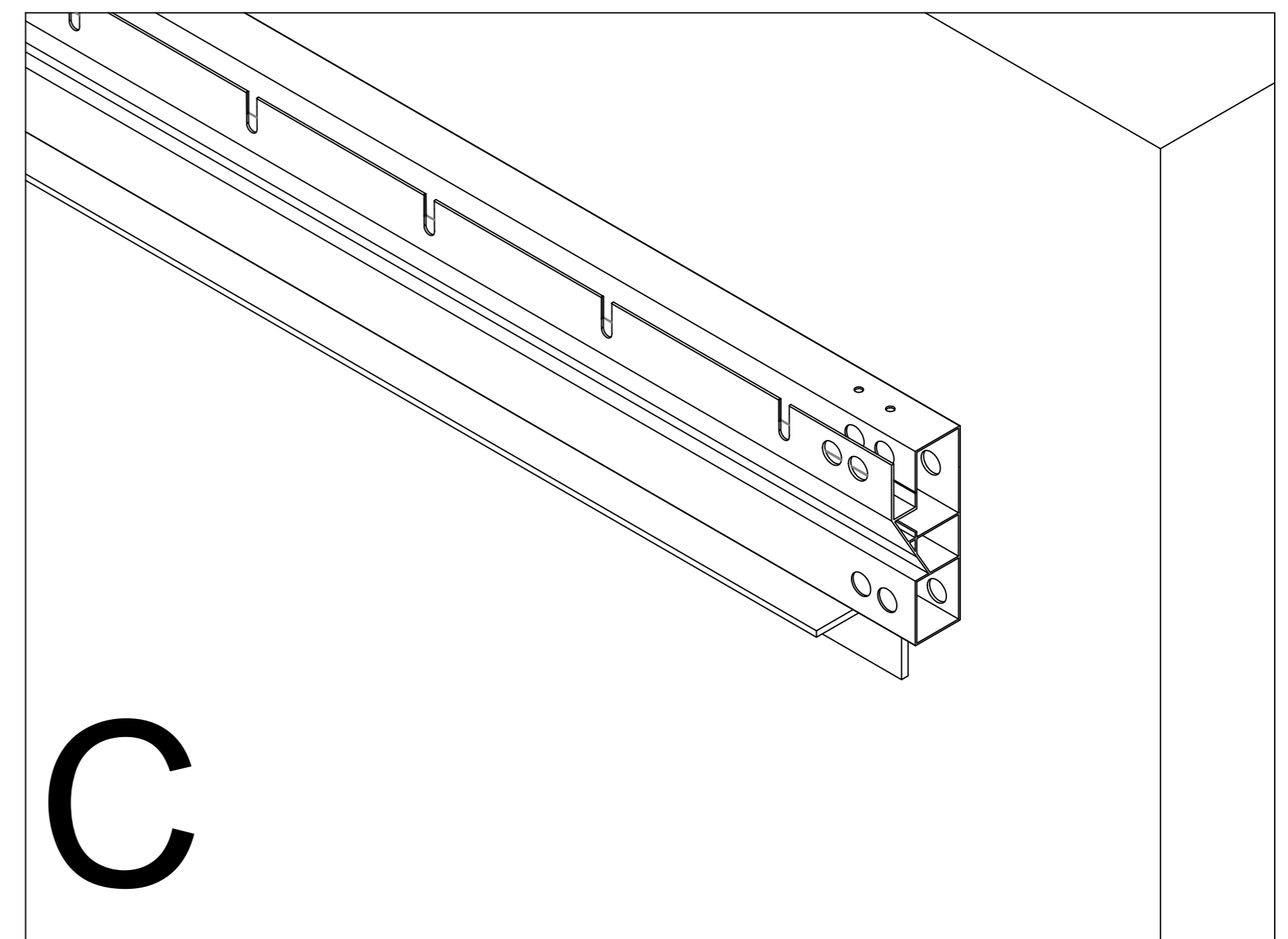
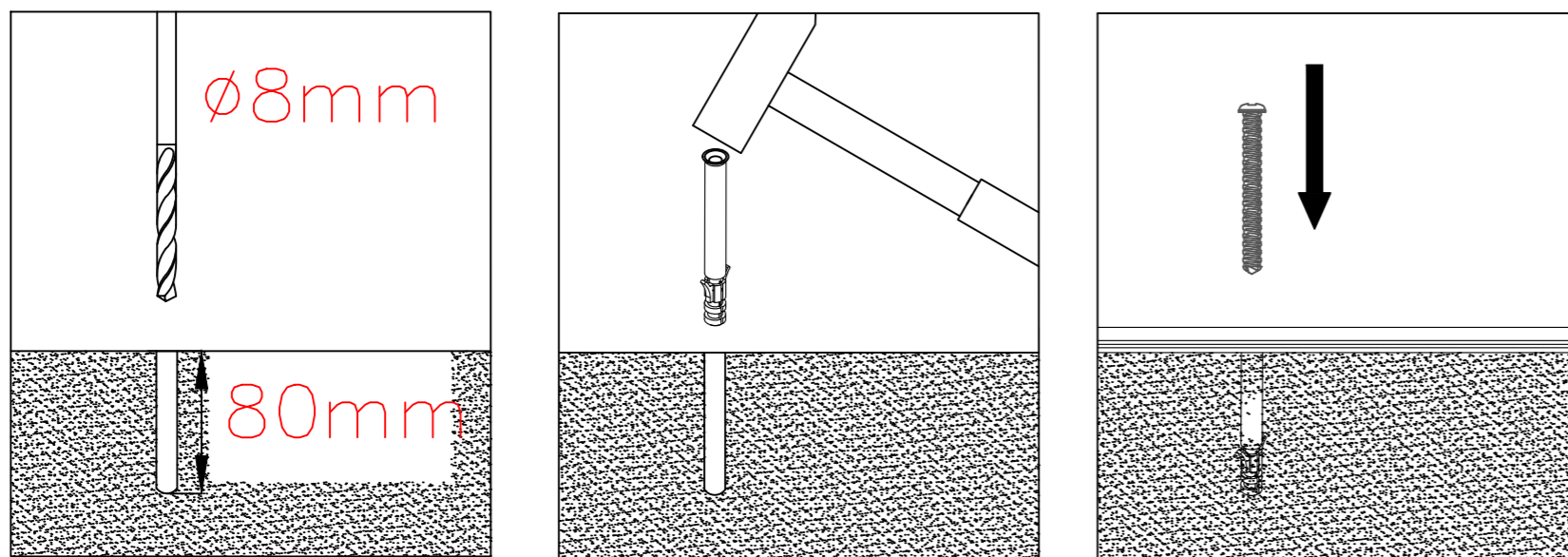
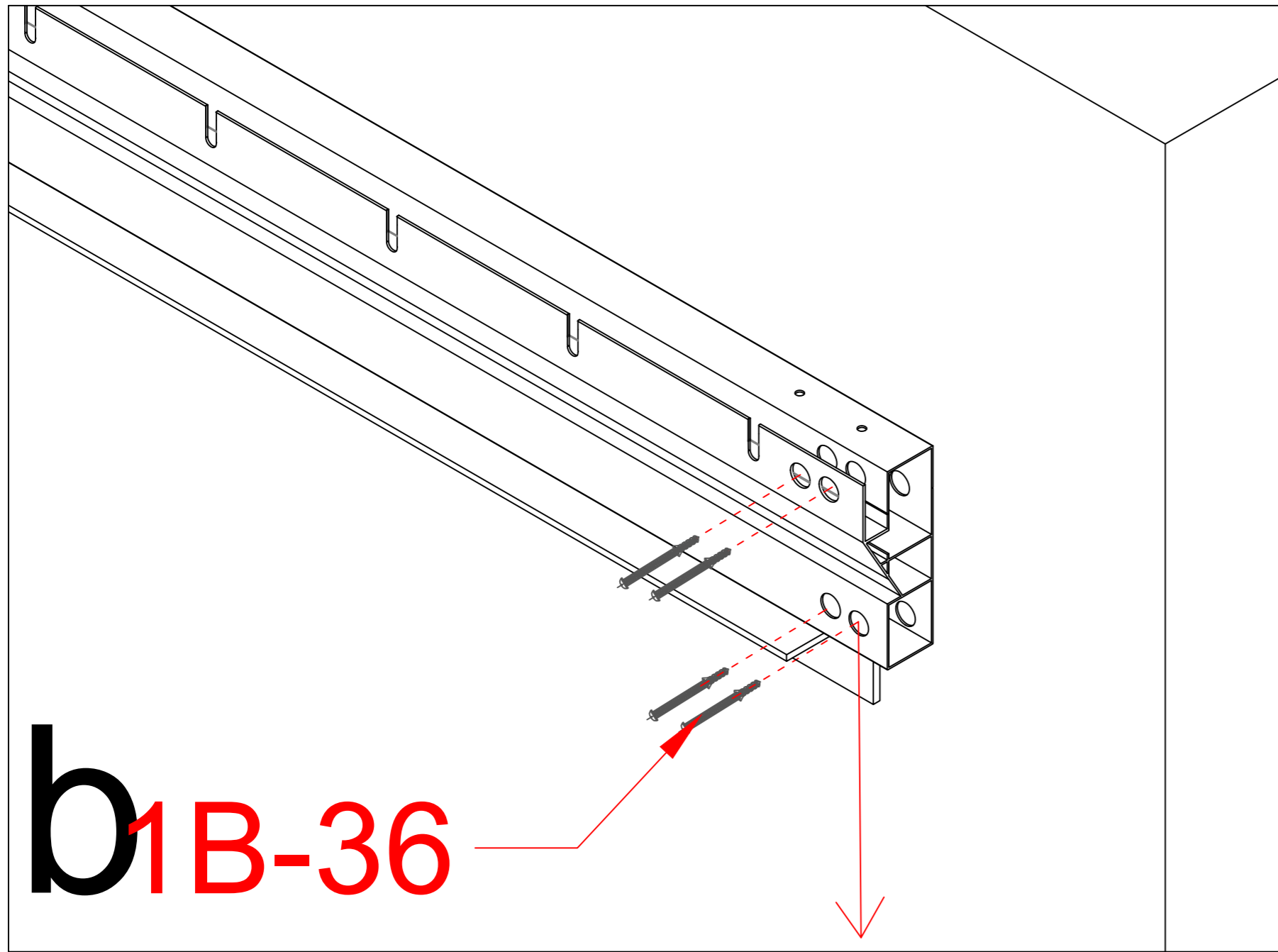
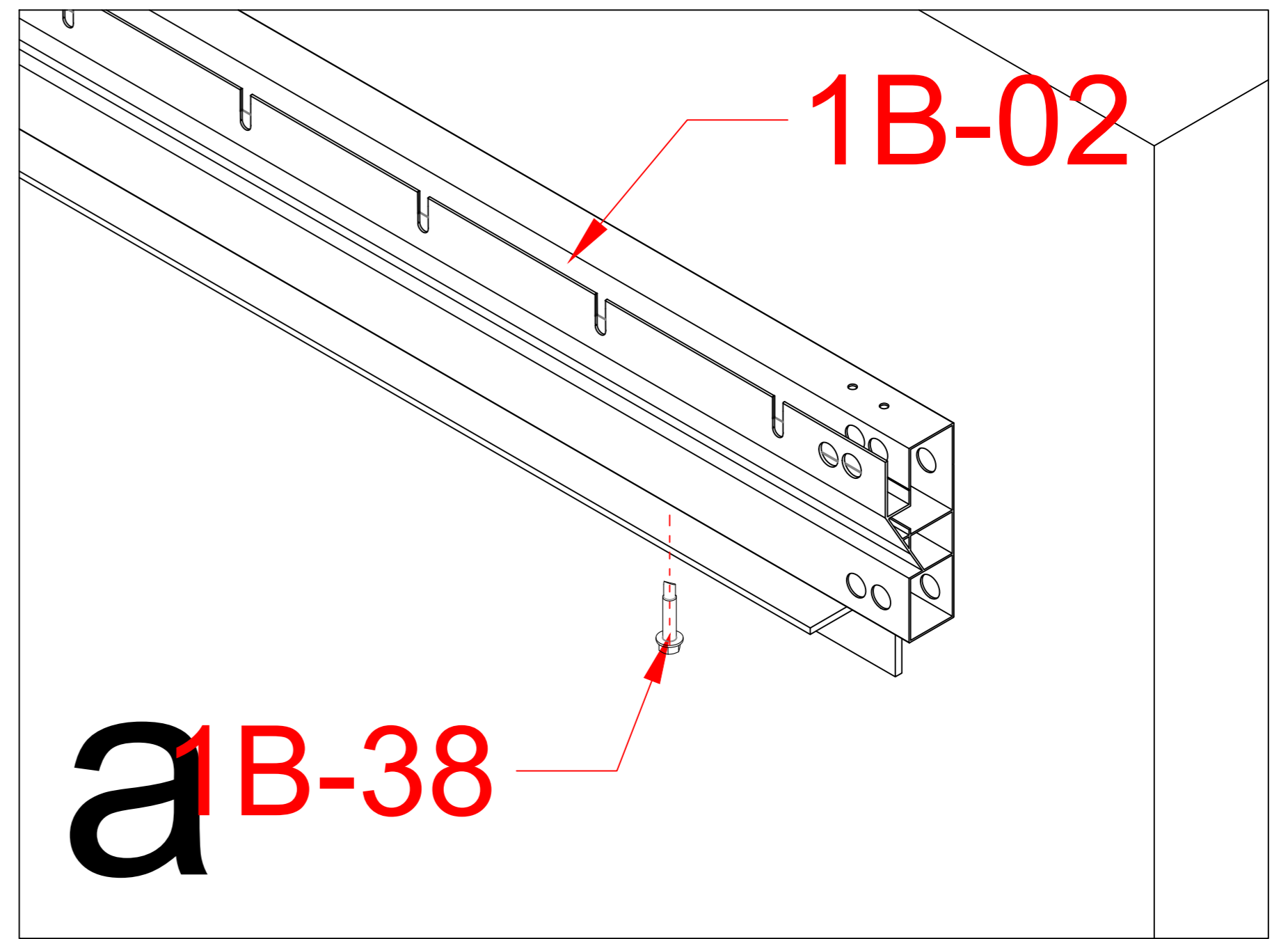




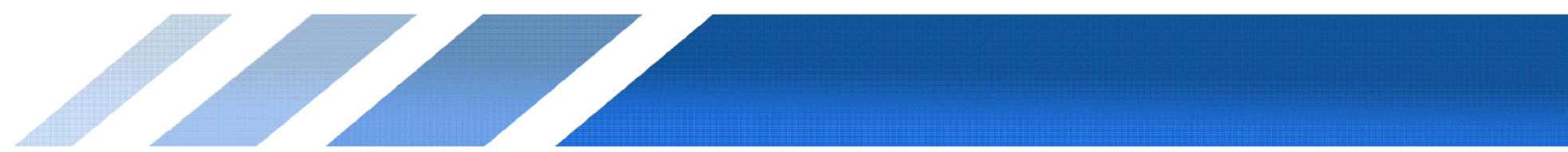
1B-34		1
1B-39		4



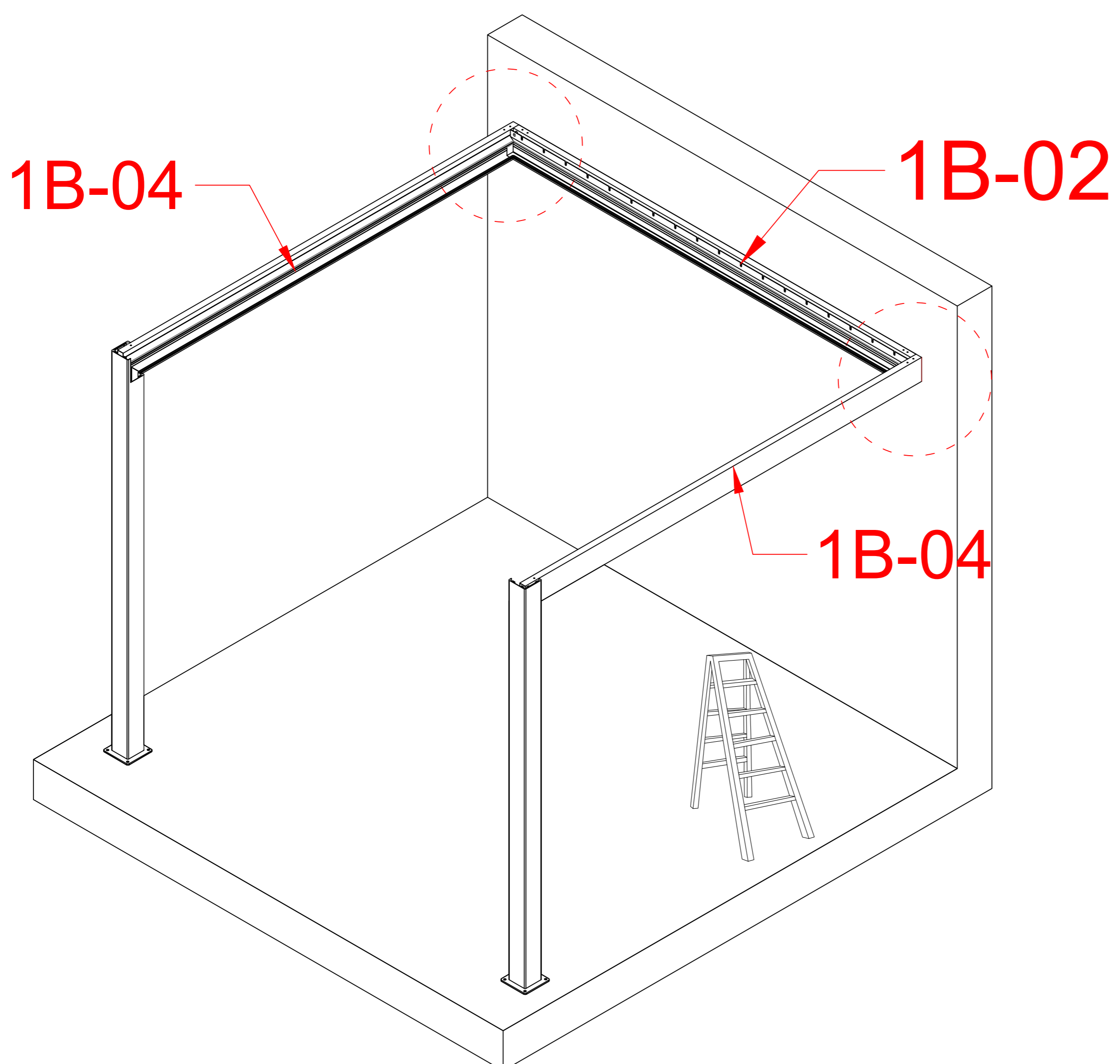
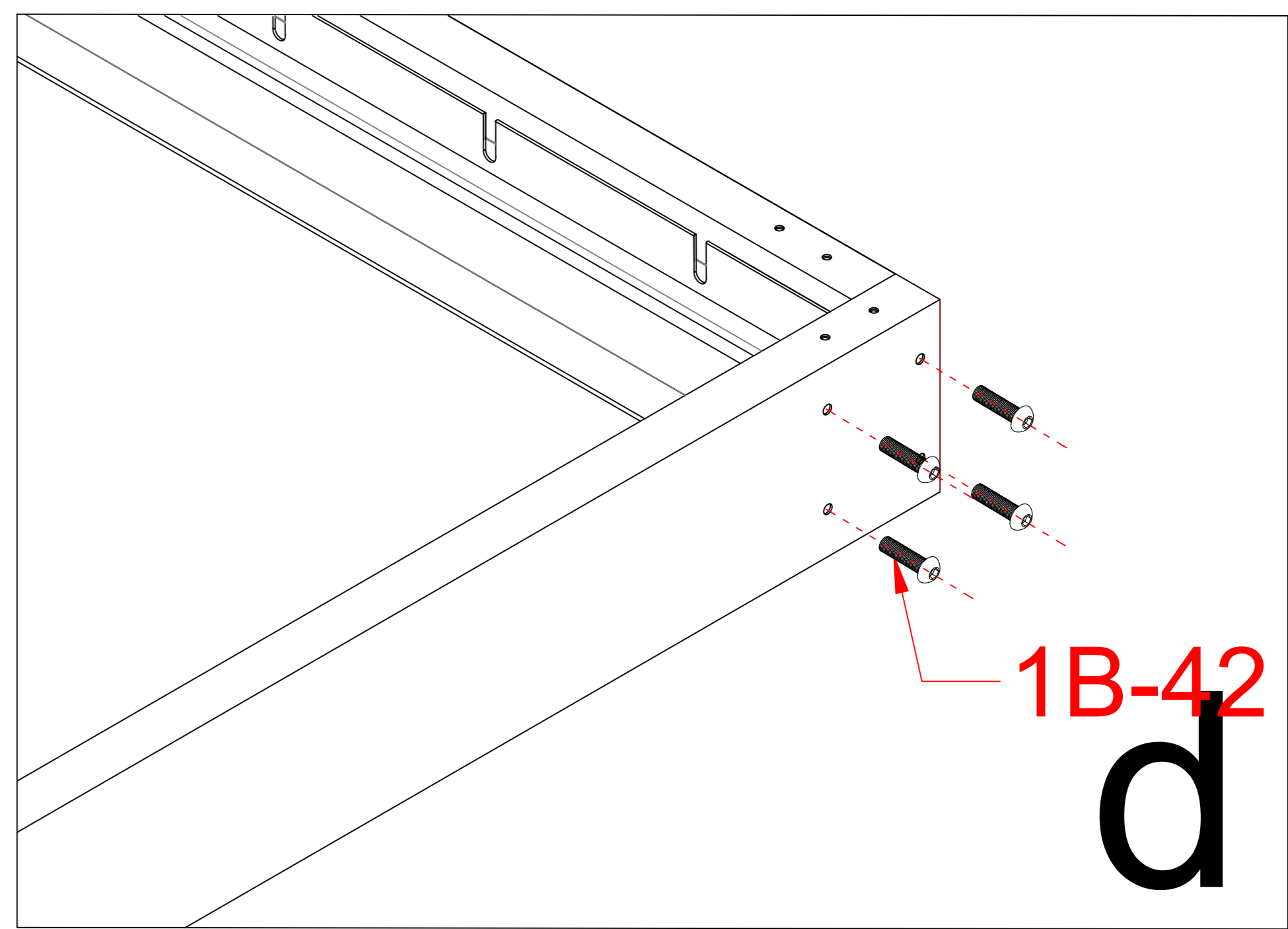
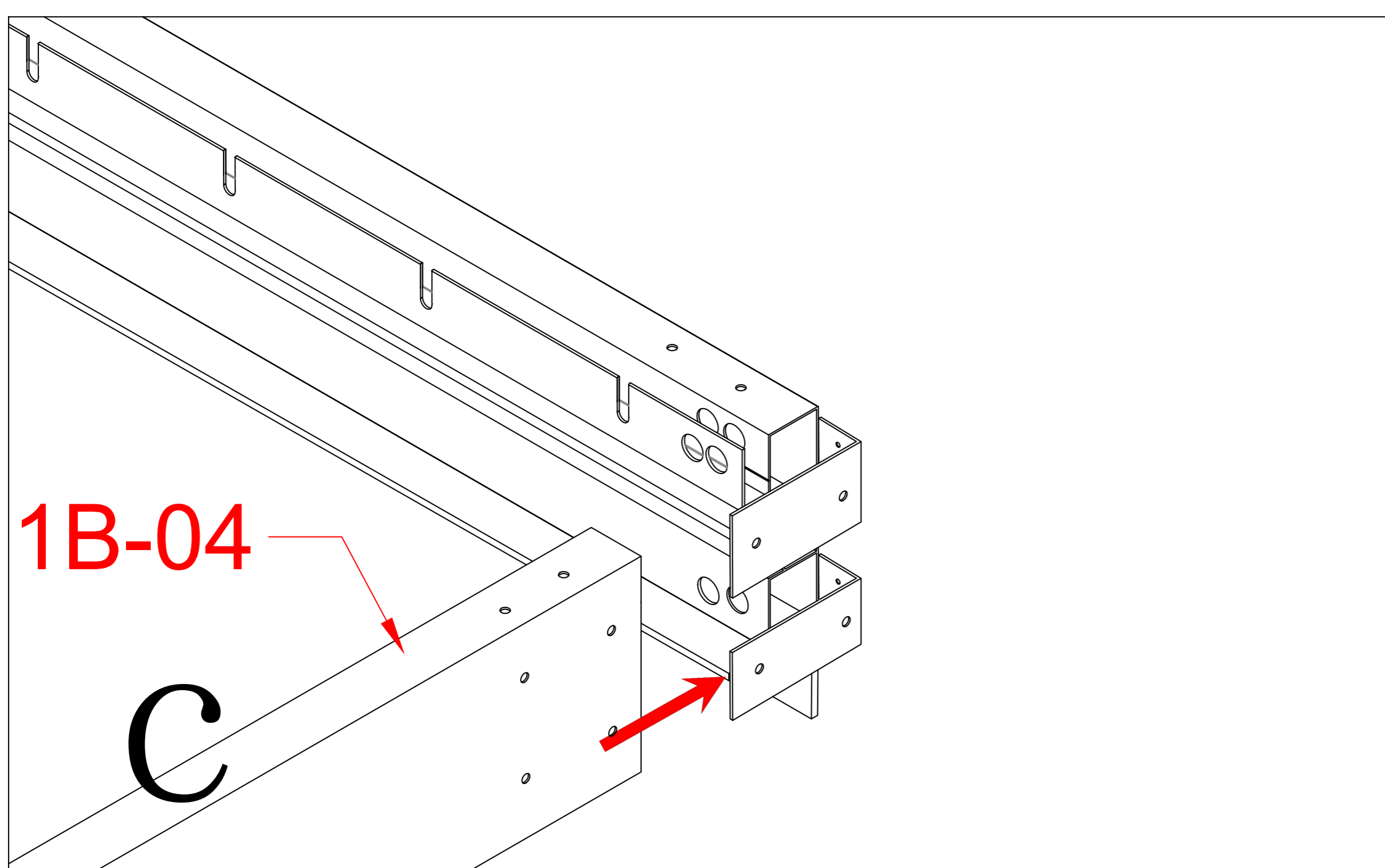
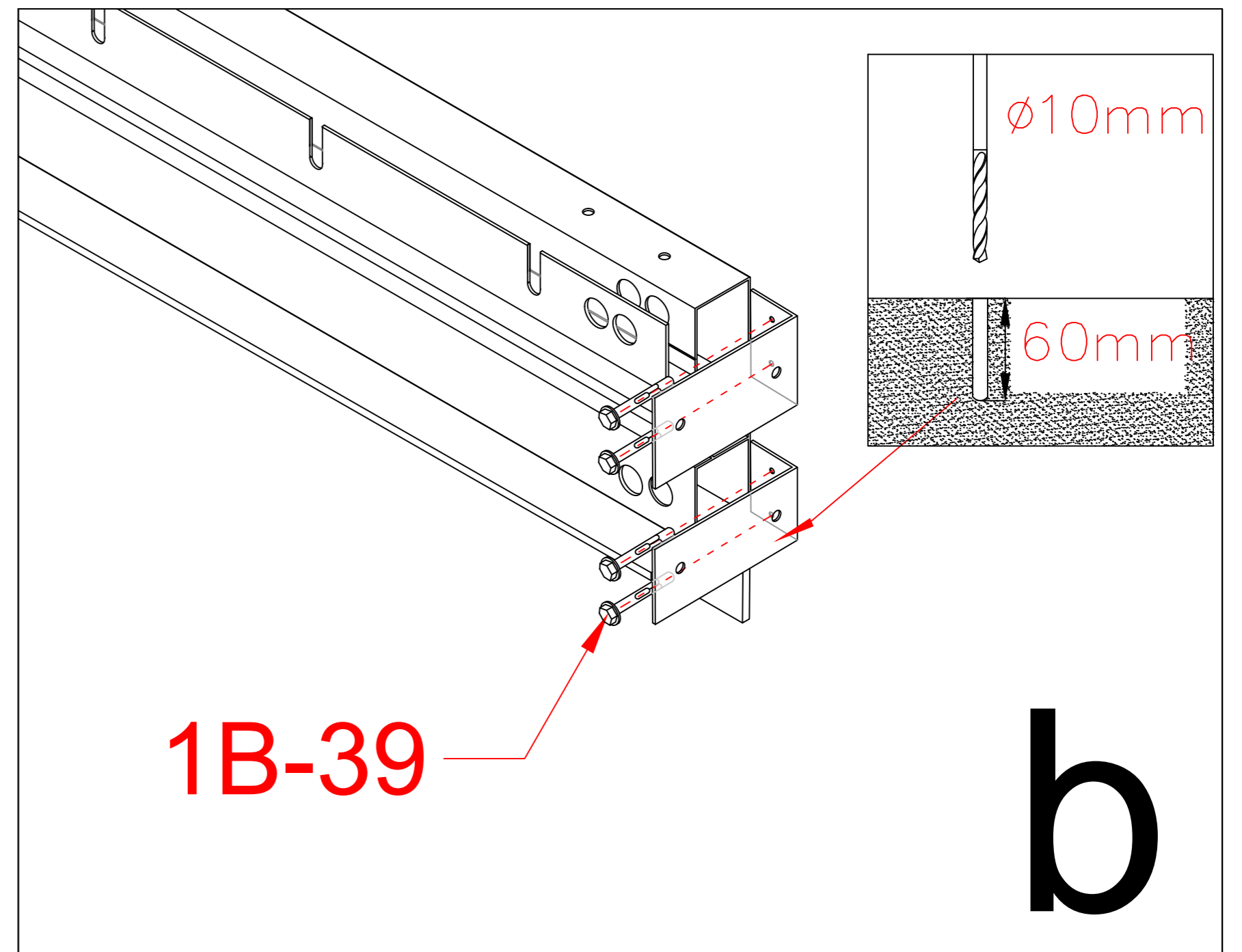
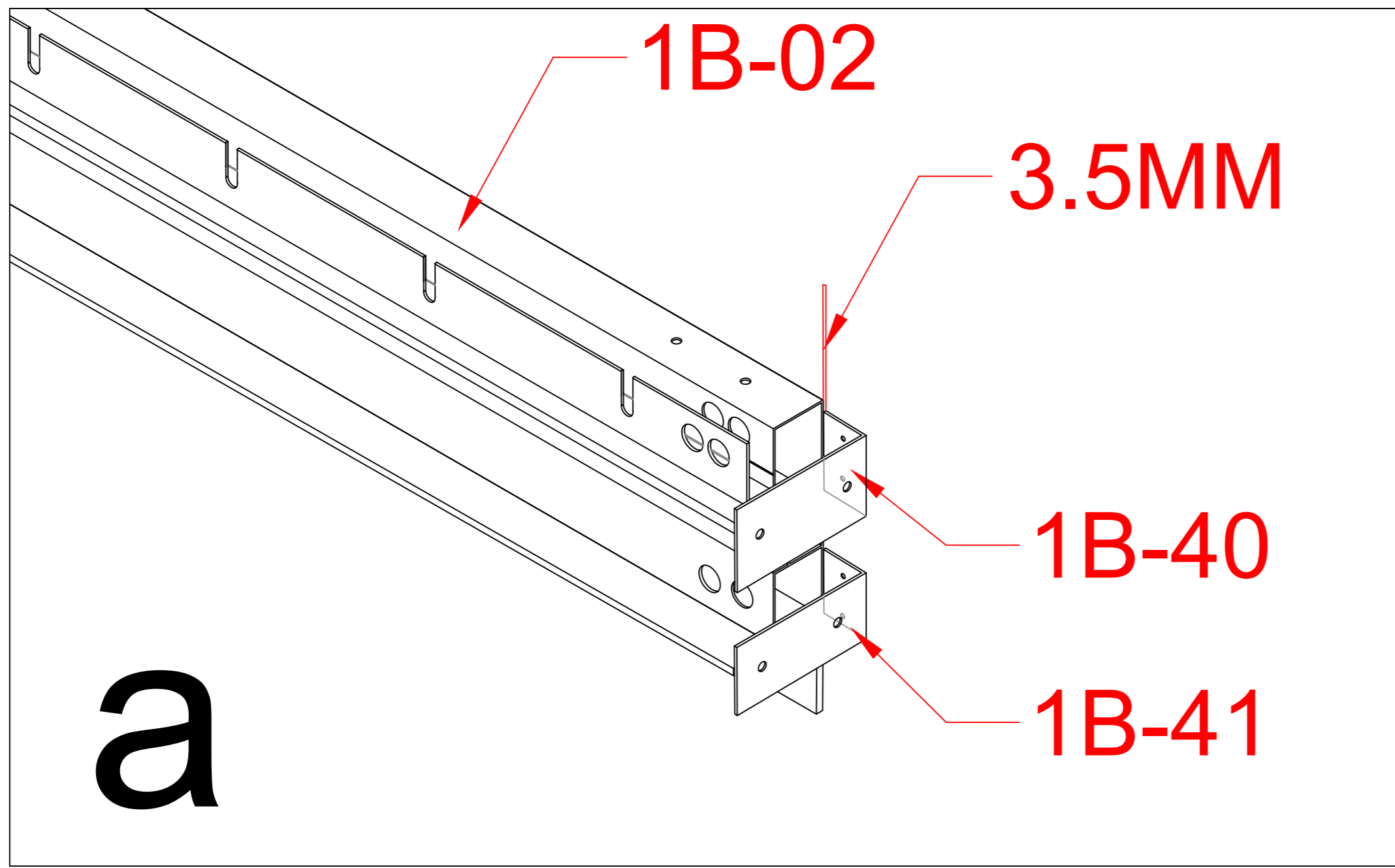


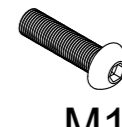
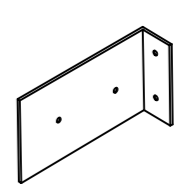
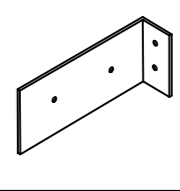
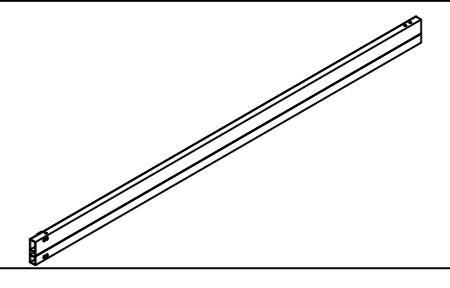
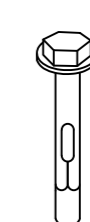


1B-02			1
1B-38			4
1B-36			8

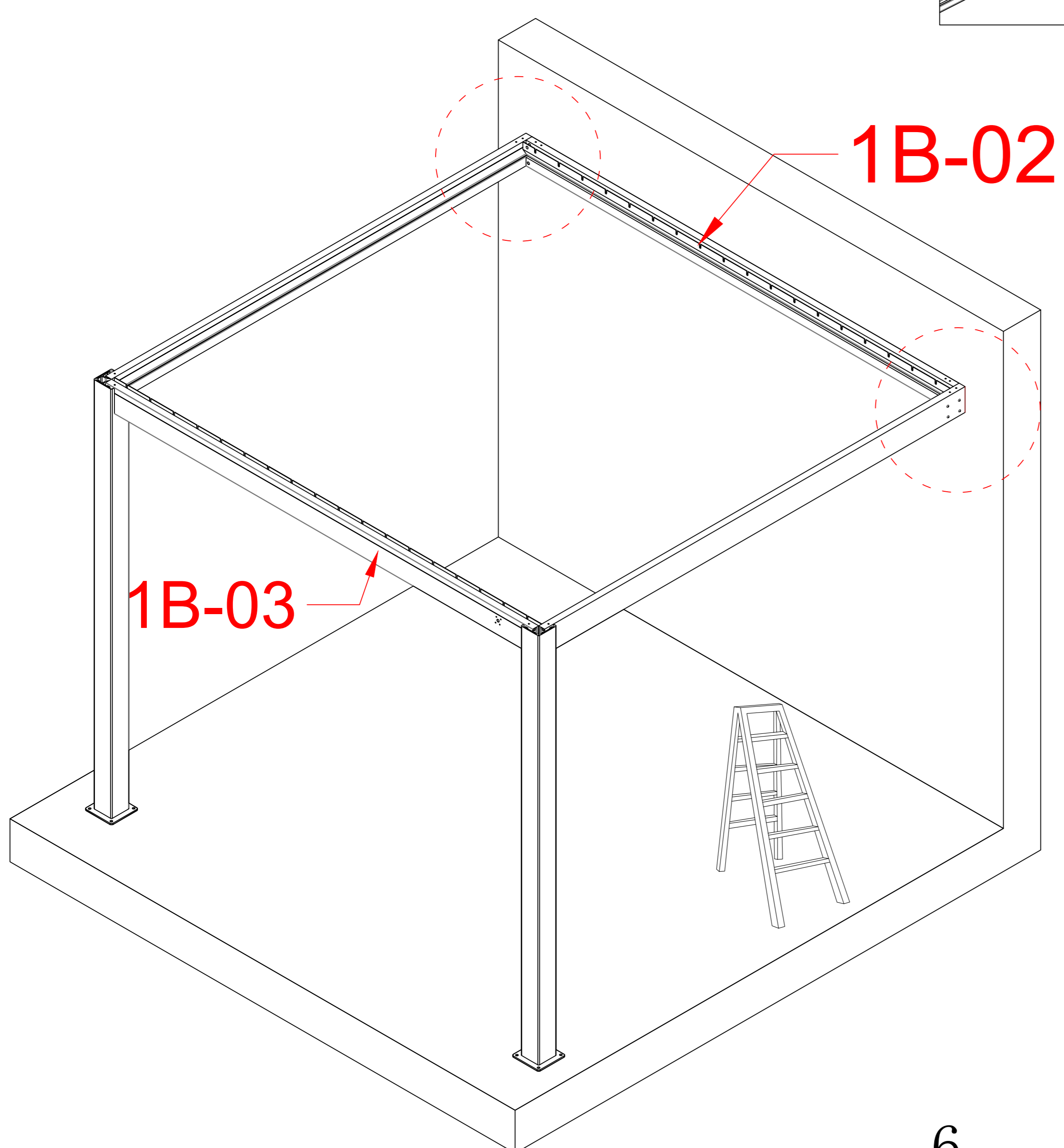
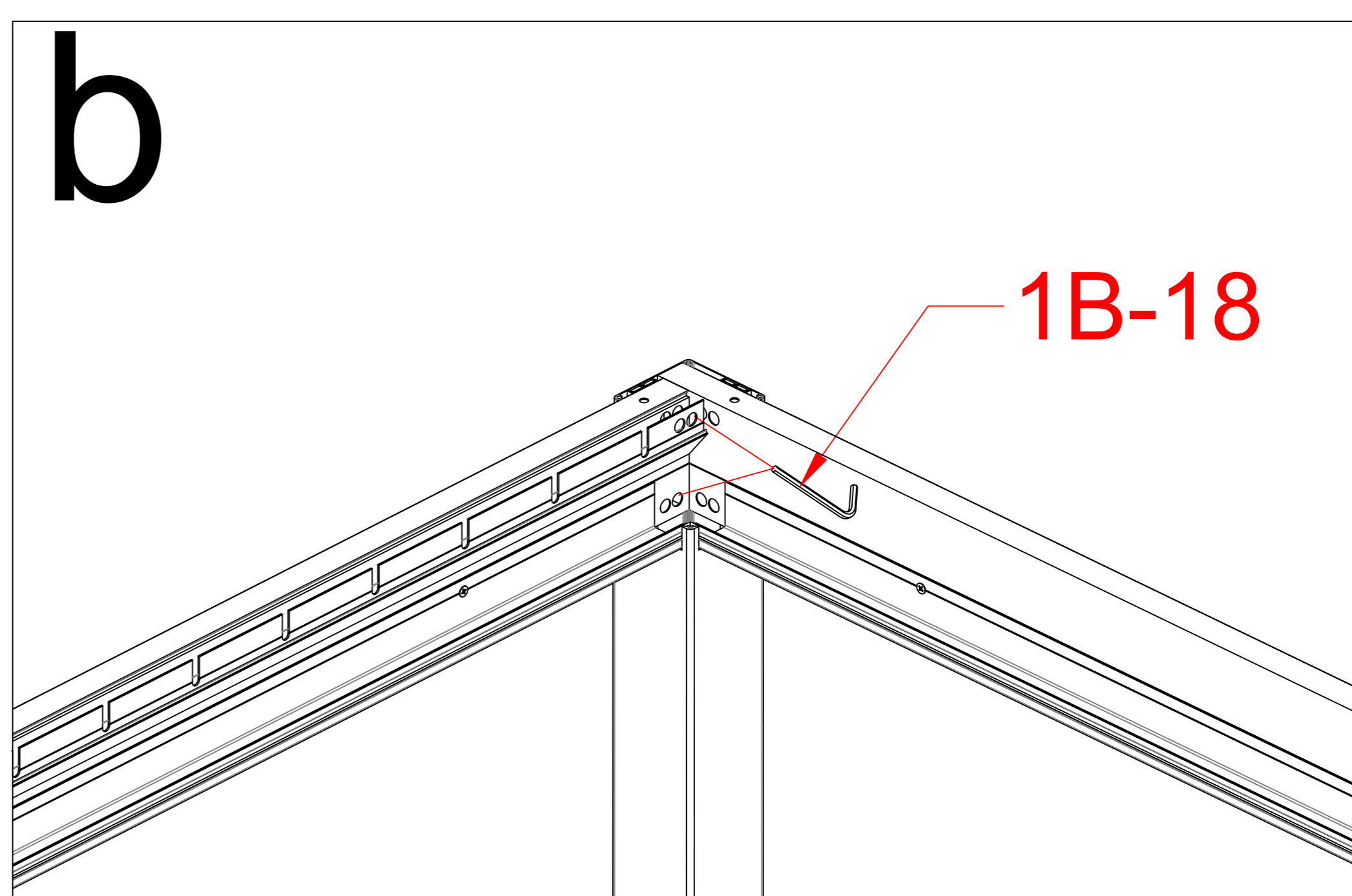
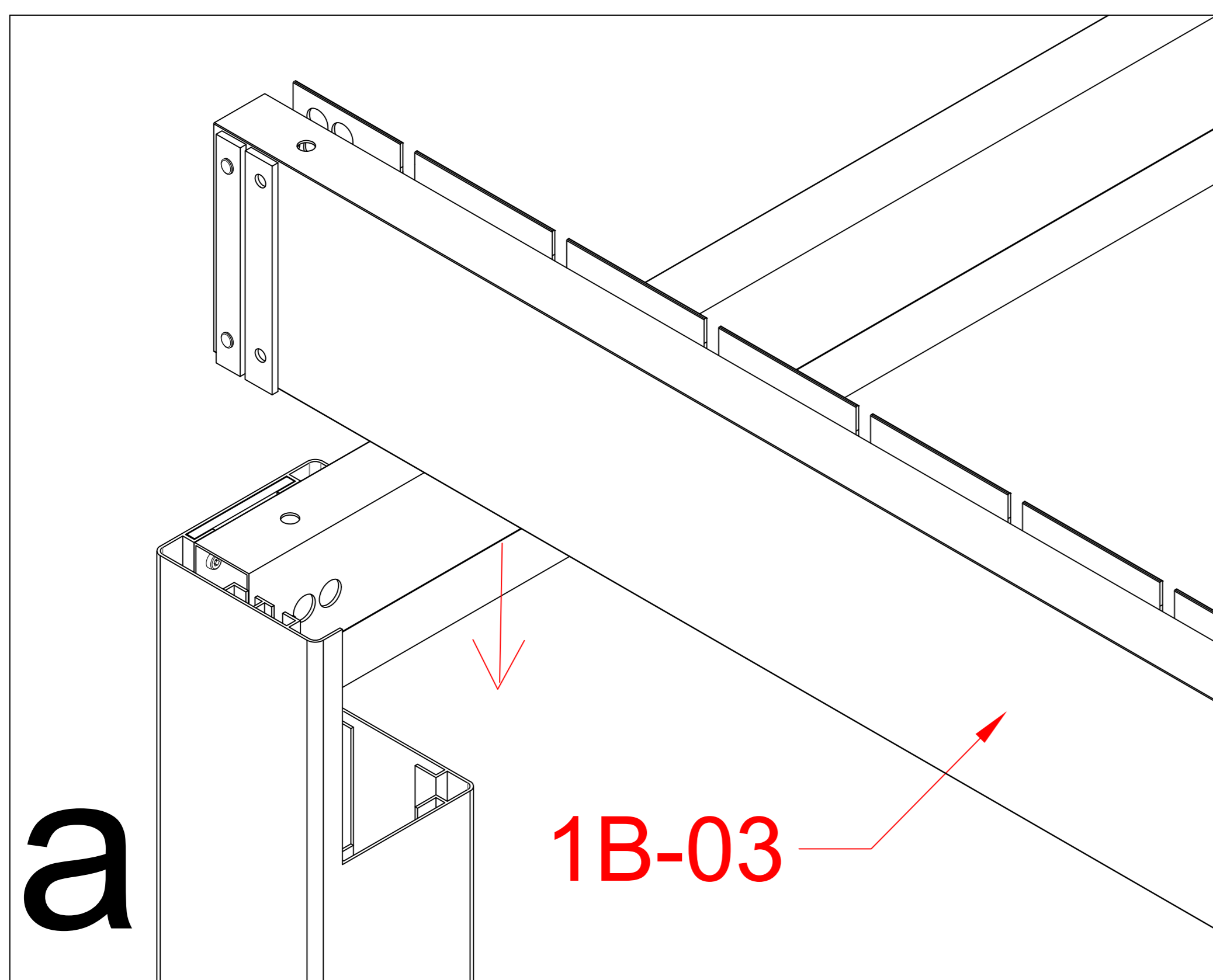




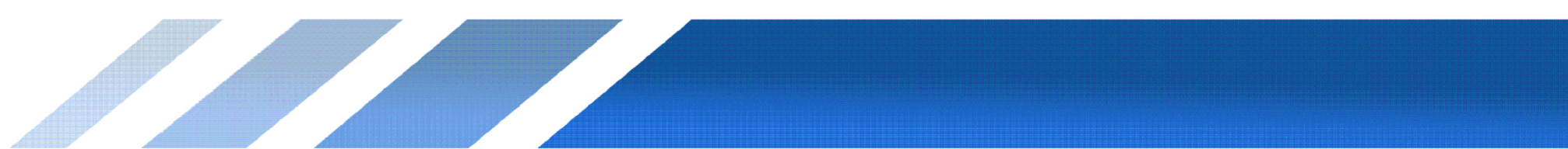


1B-42	 M10*20	8
1B-40		2
1B-41		2
1B-04		2
1B-39		8

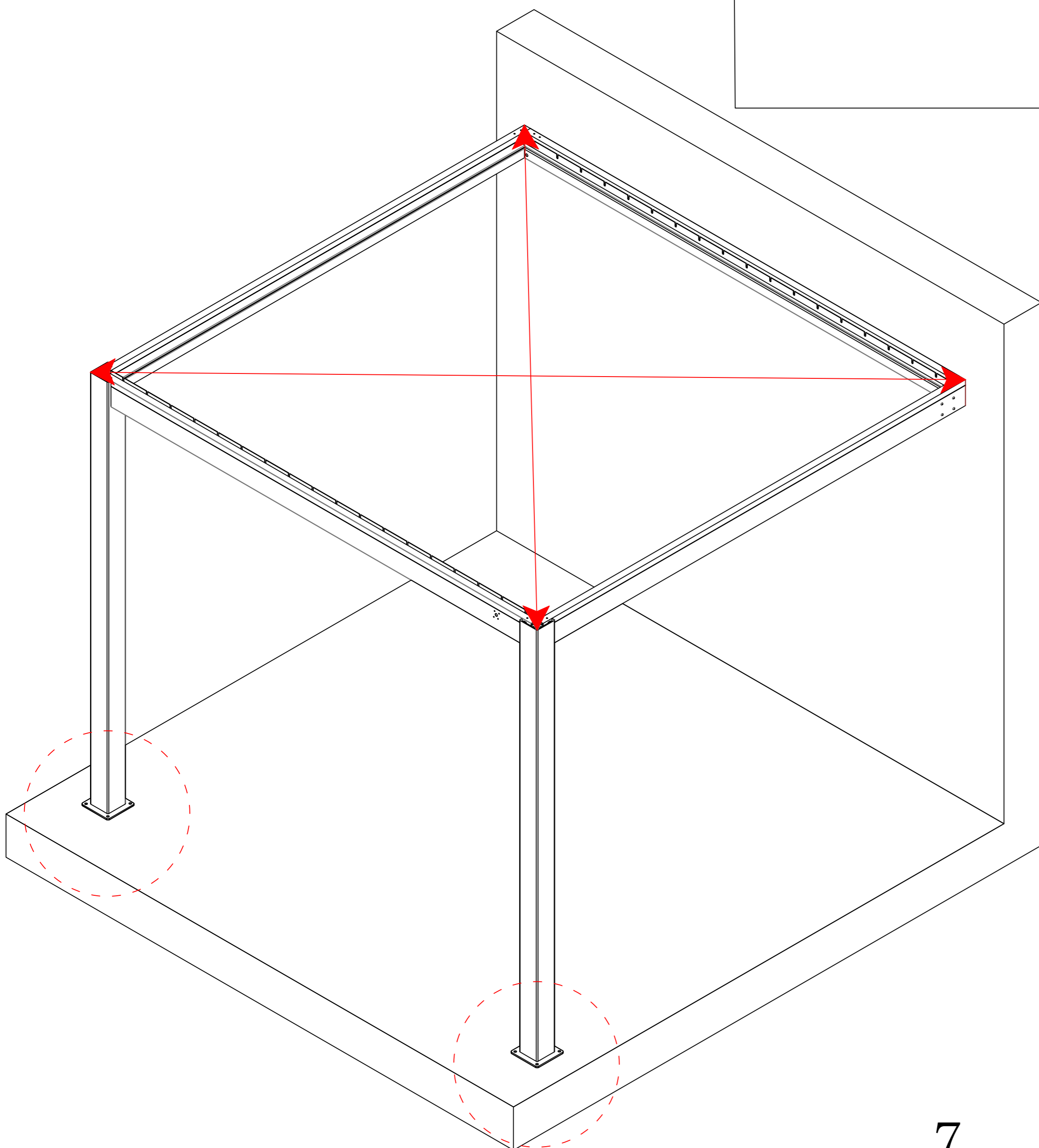
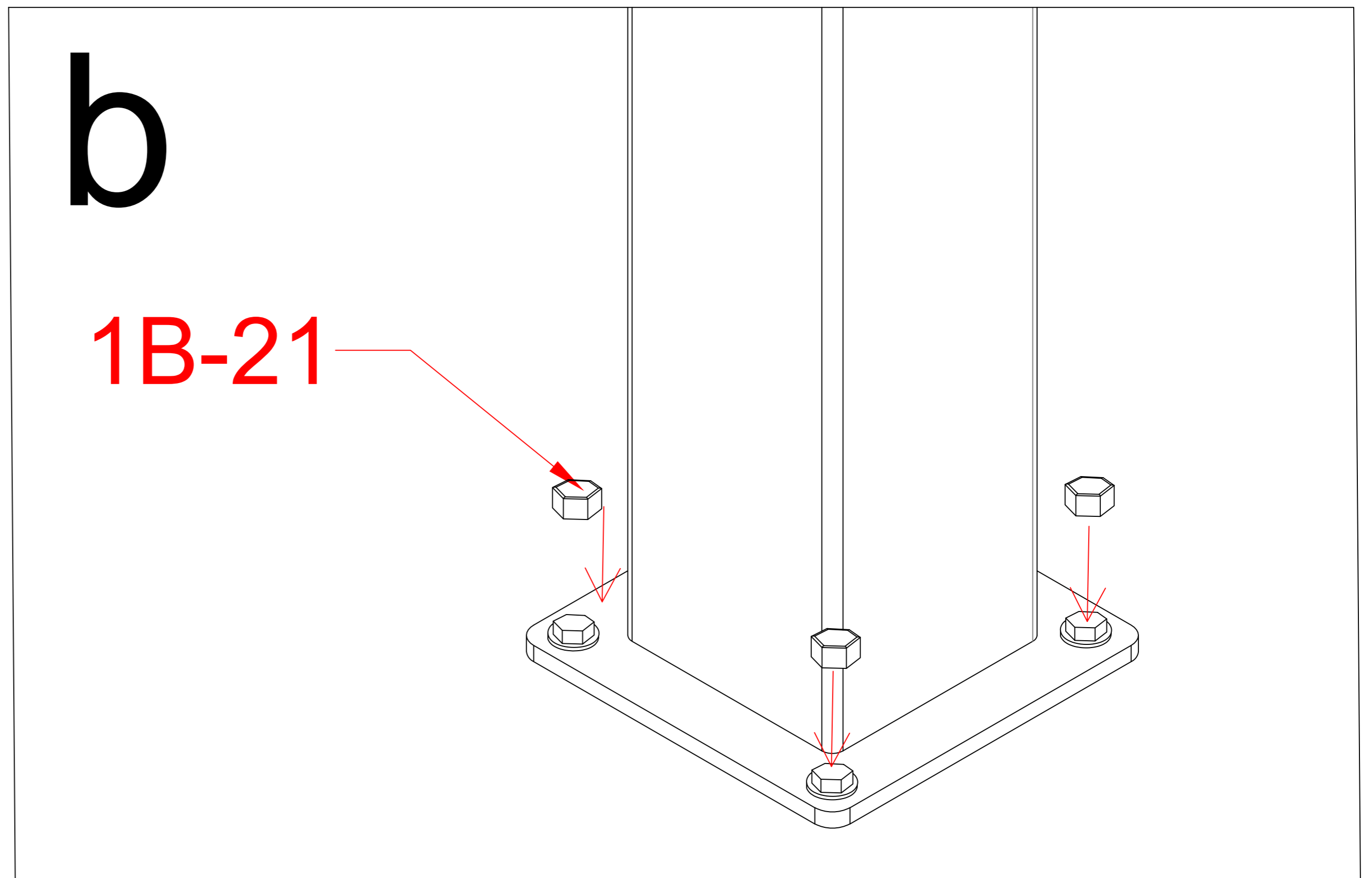
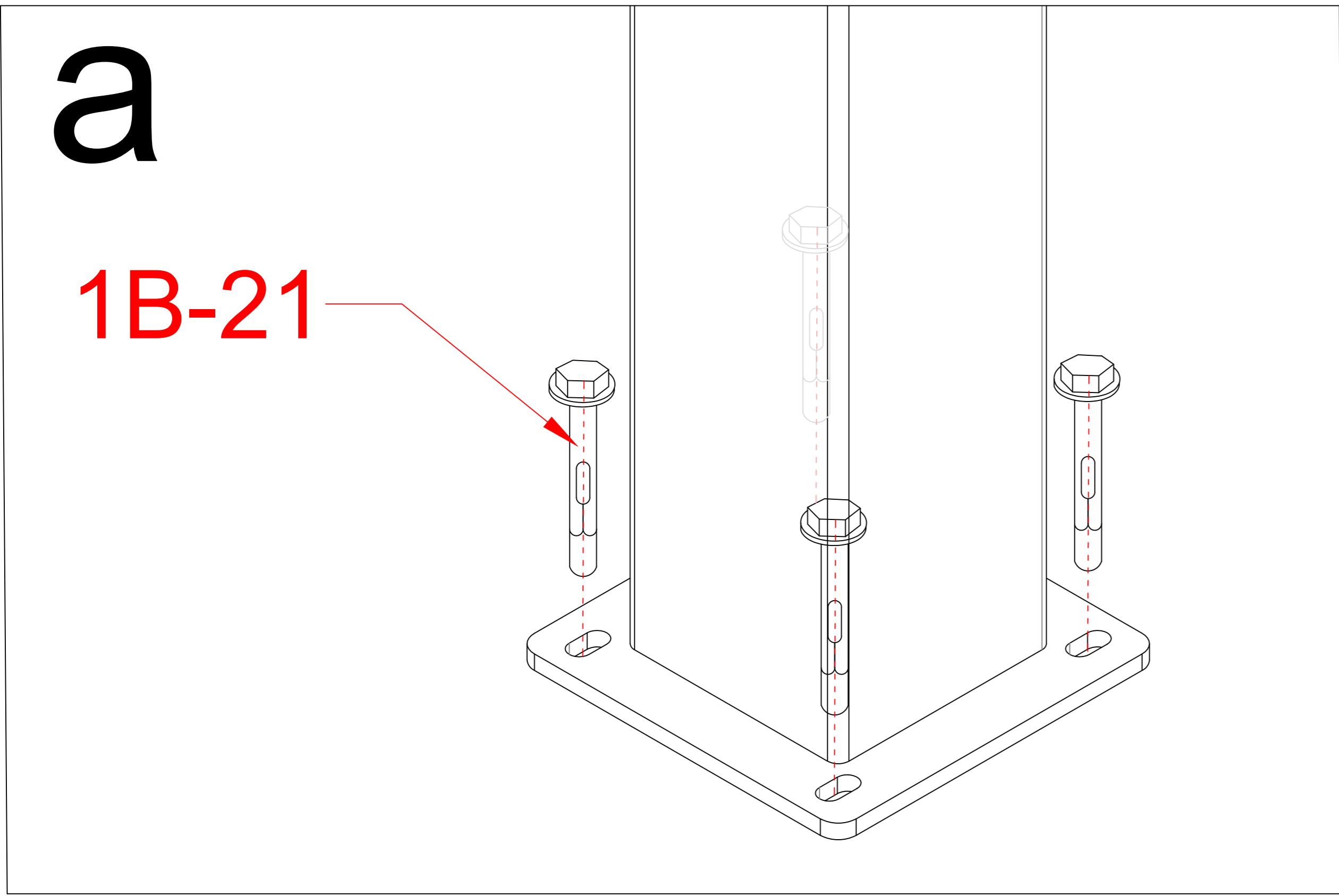




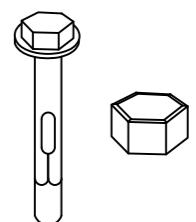
1B-03			1
-------	--	--	---

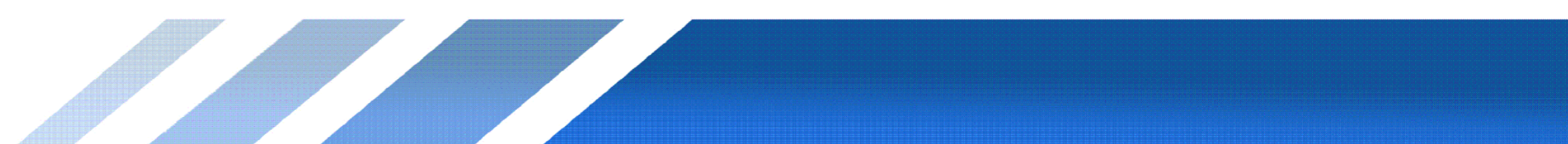




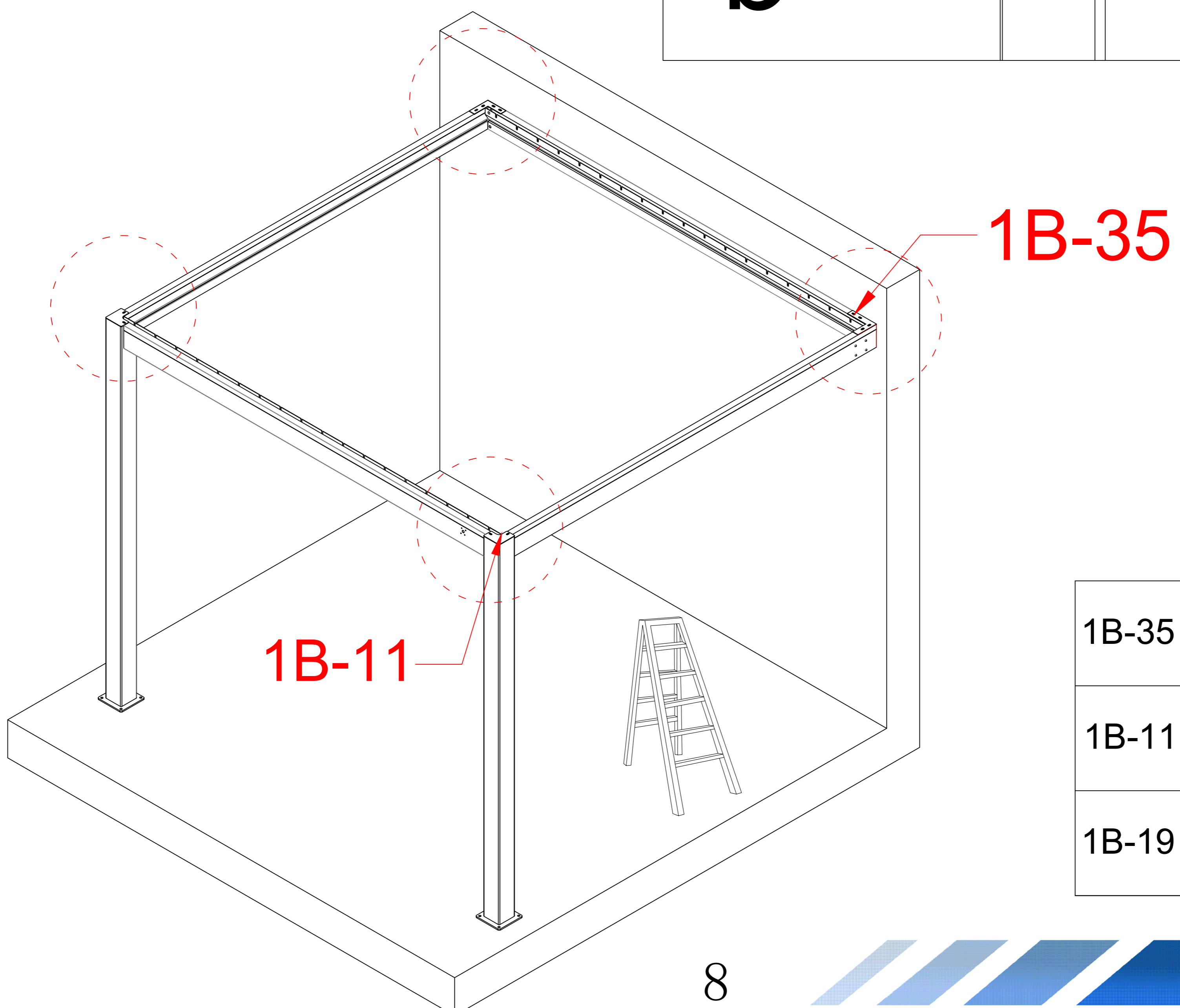
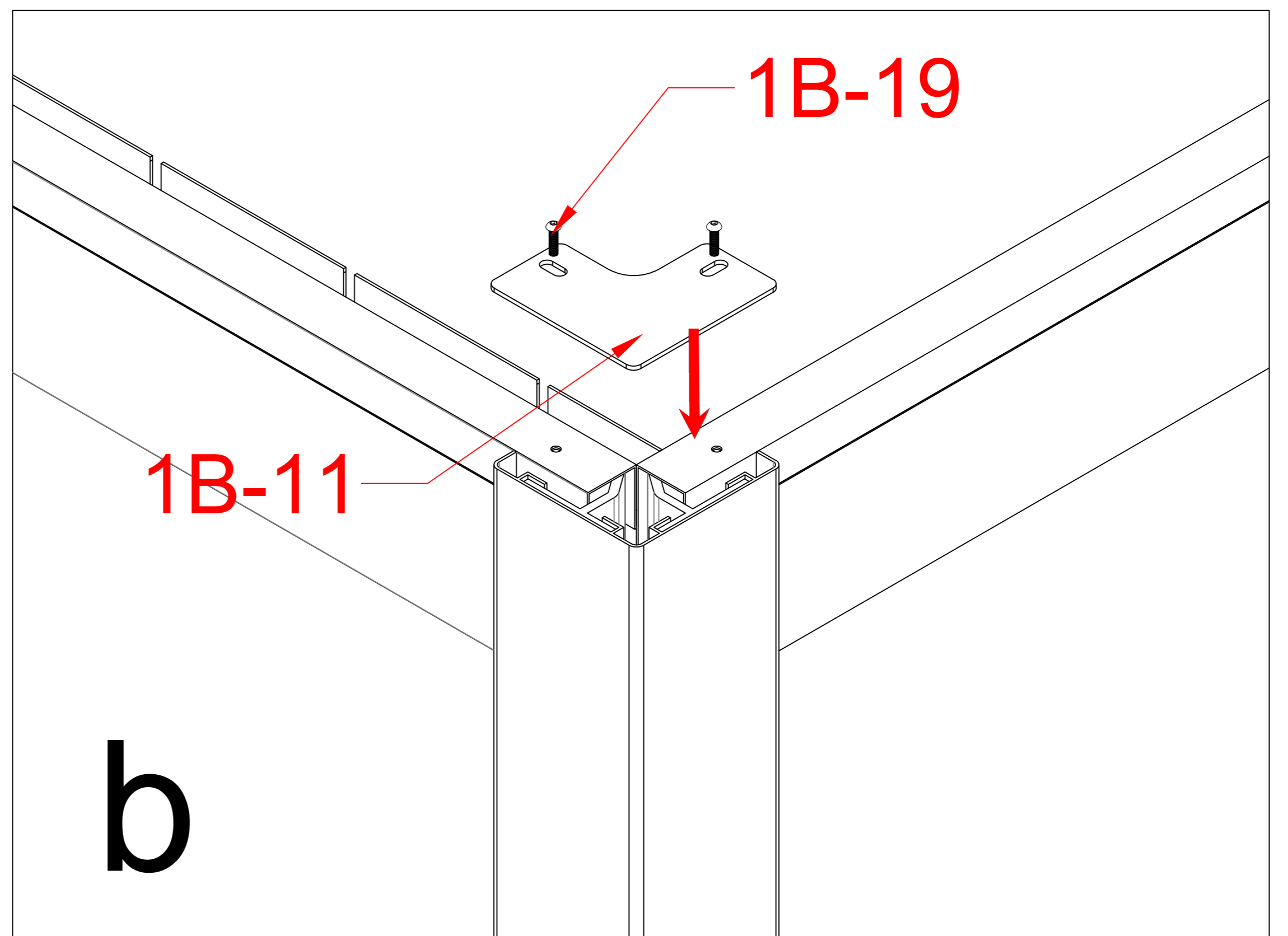
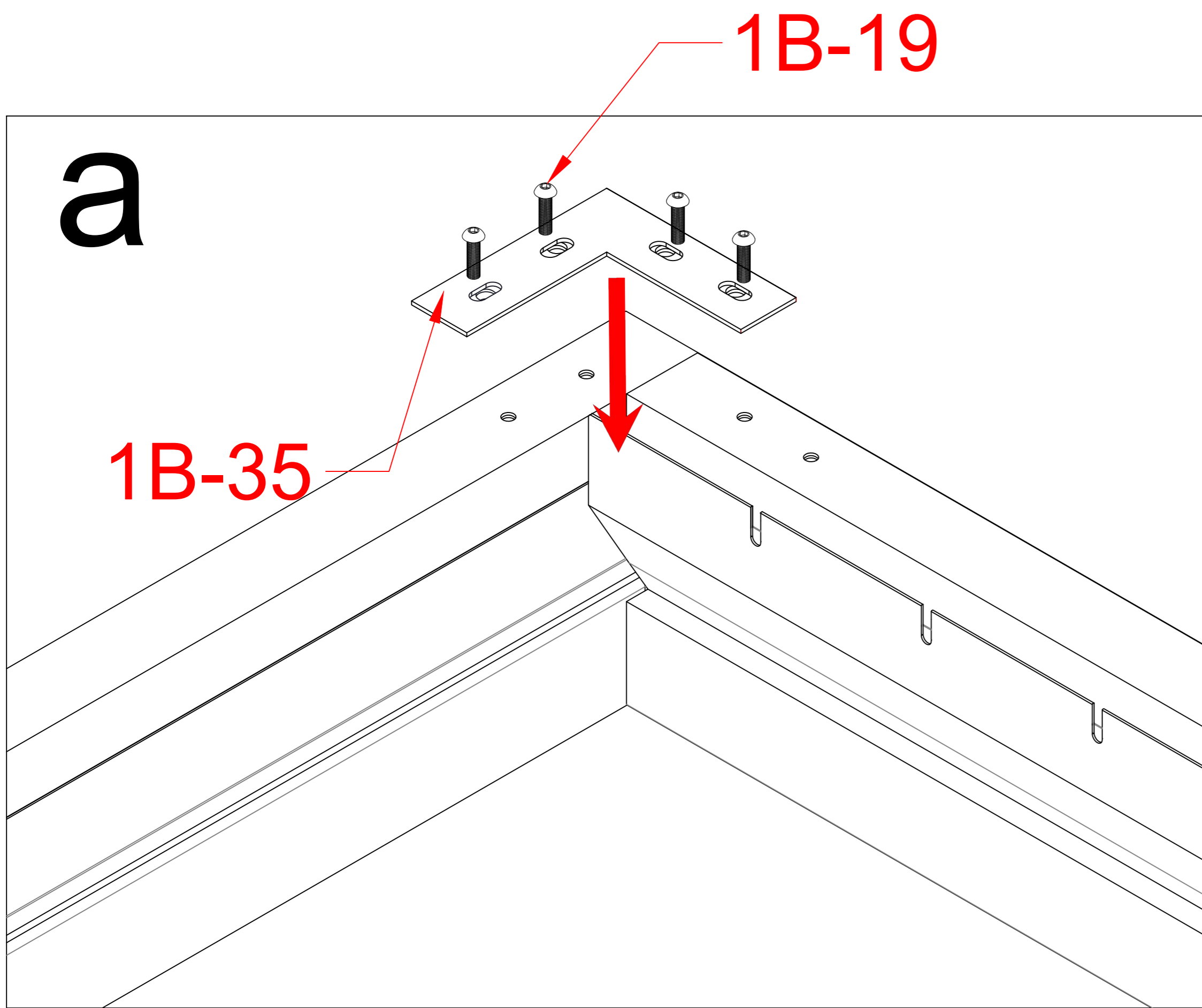


Pls measure the diagonal size and make sure the diagonal size keeps same before screw 1B-21 mounted. If not, pls adjust it to same size.

1B-21		8
-------	---	---

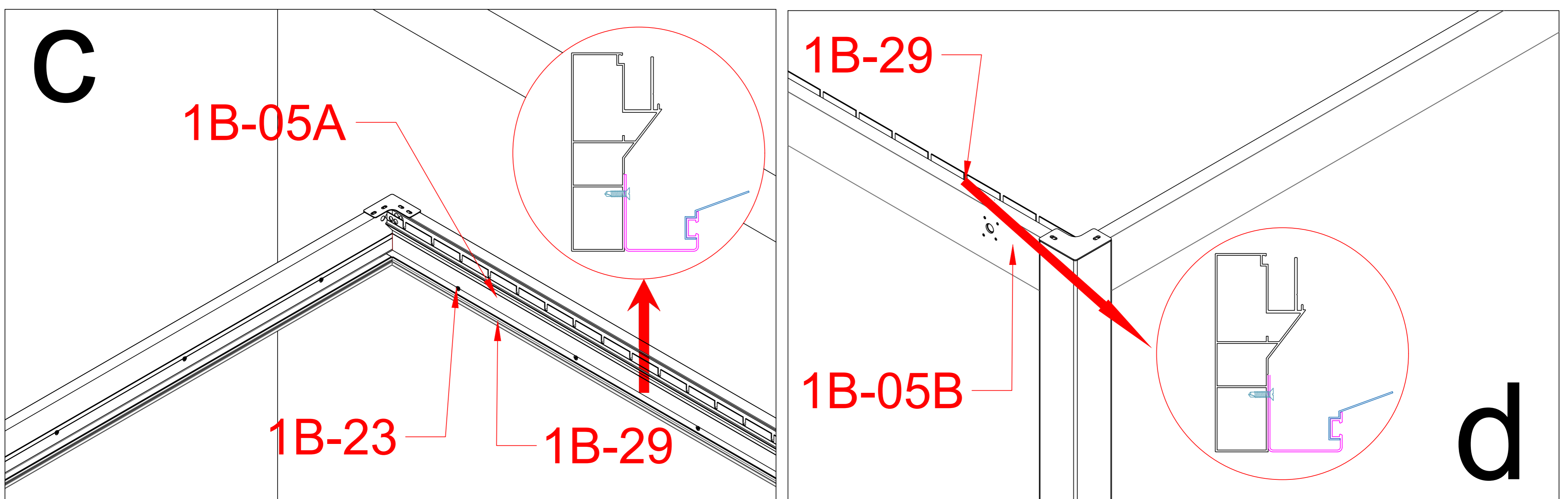
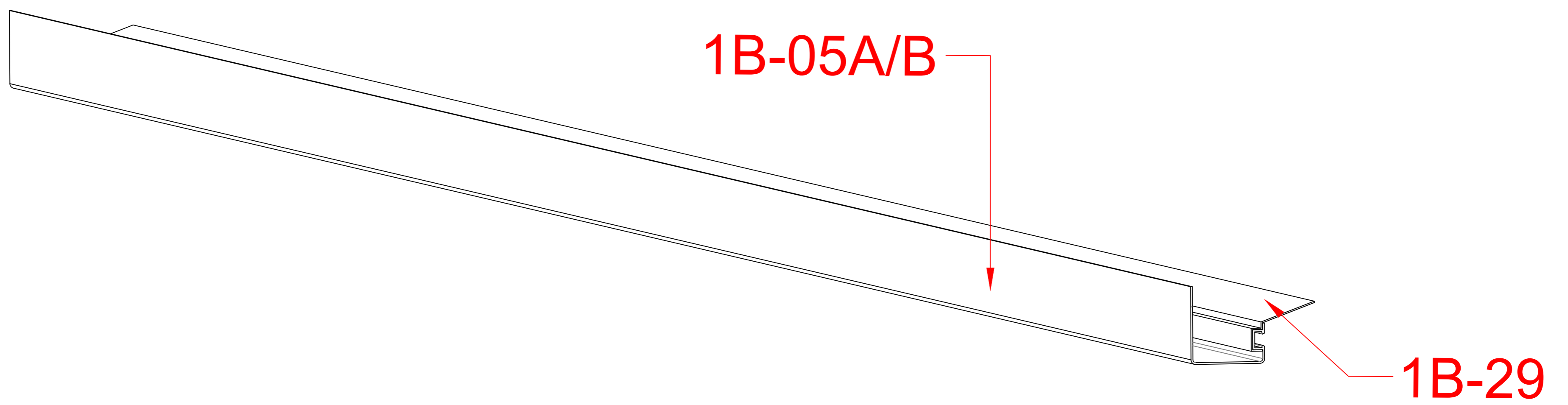
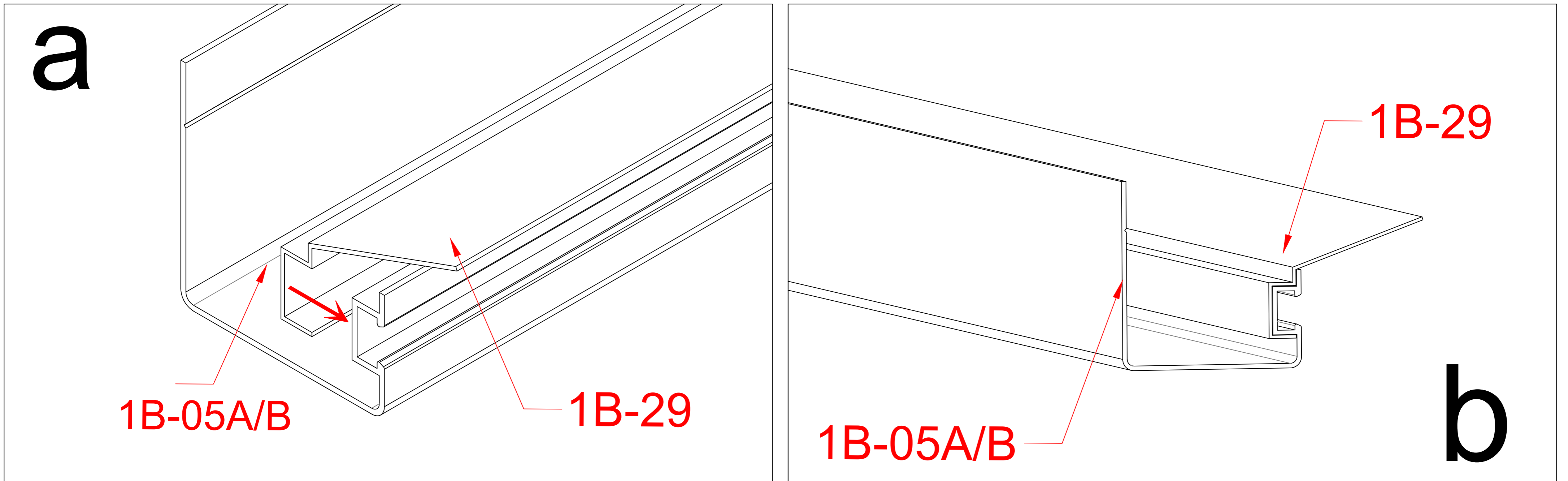


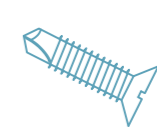





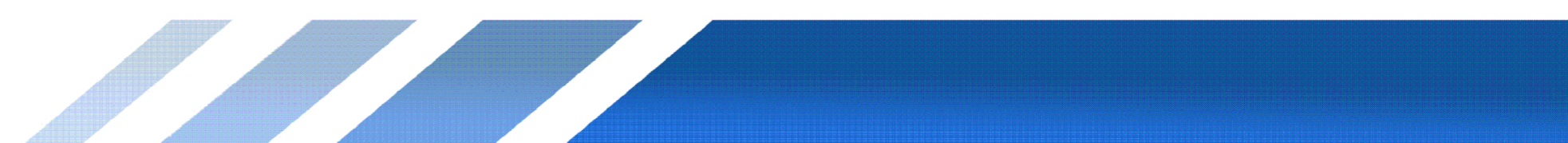


1B-35		2
1B-11		2
1B-19		12

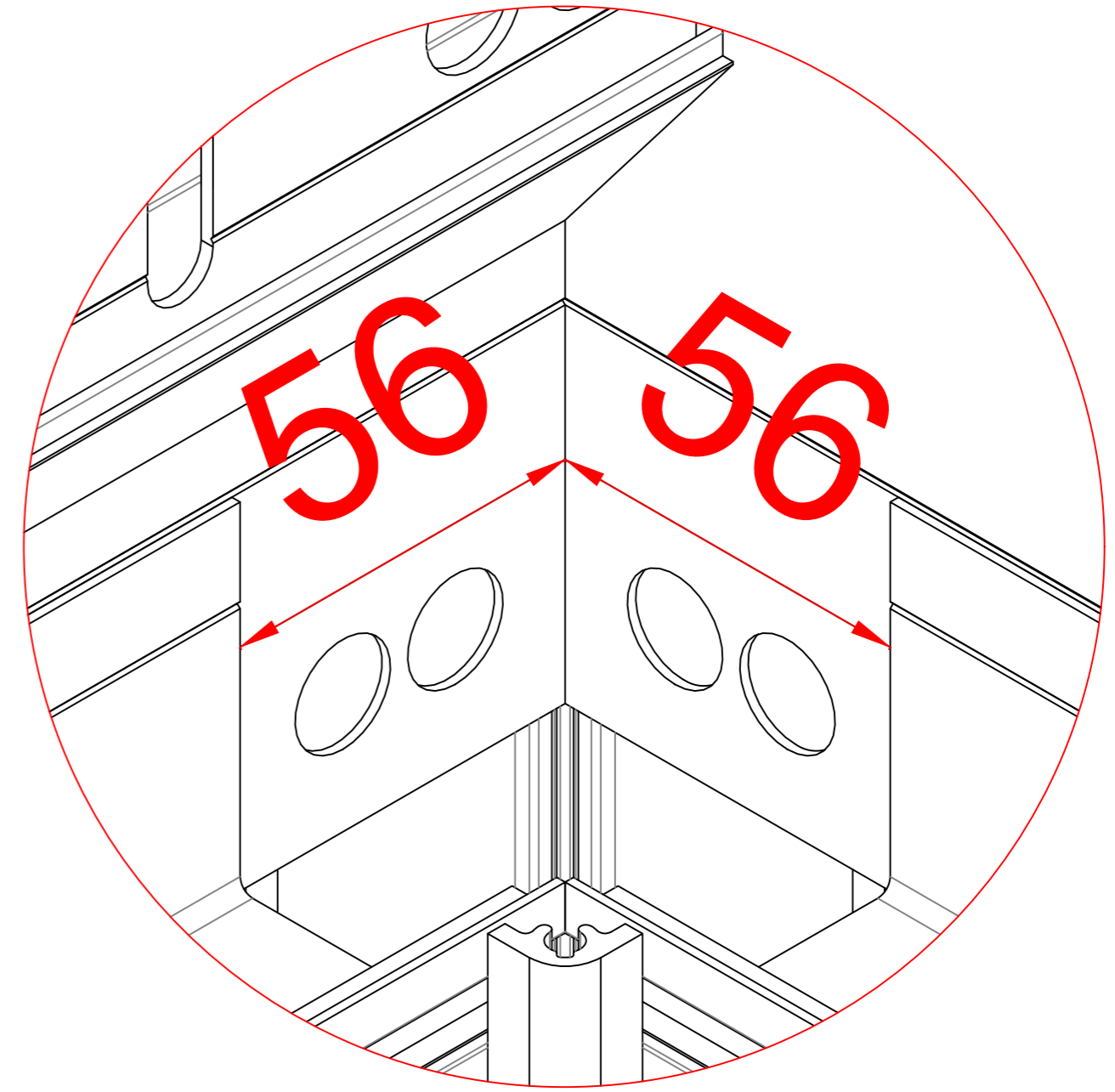
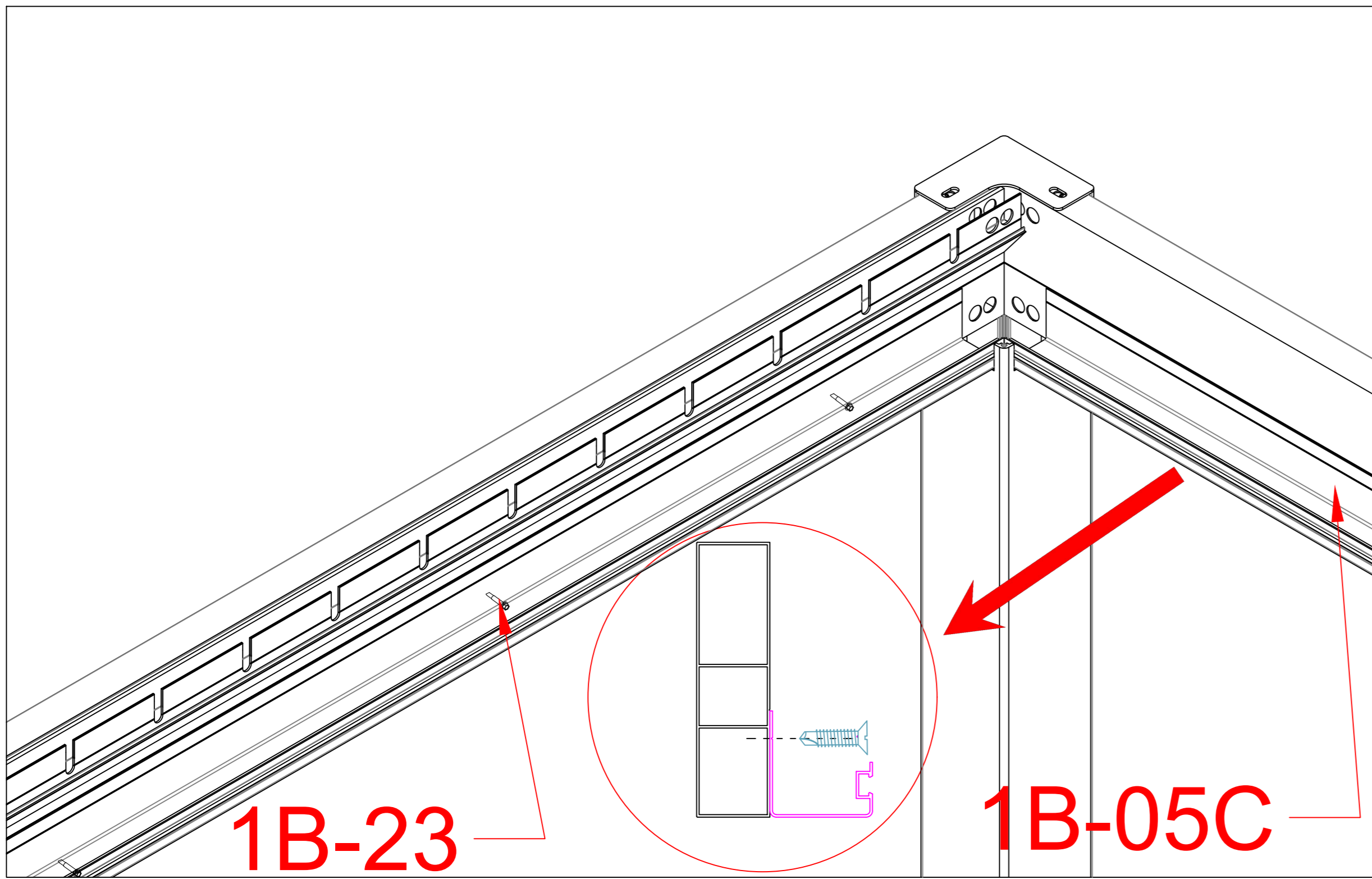




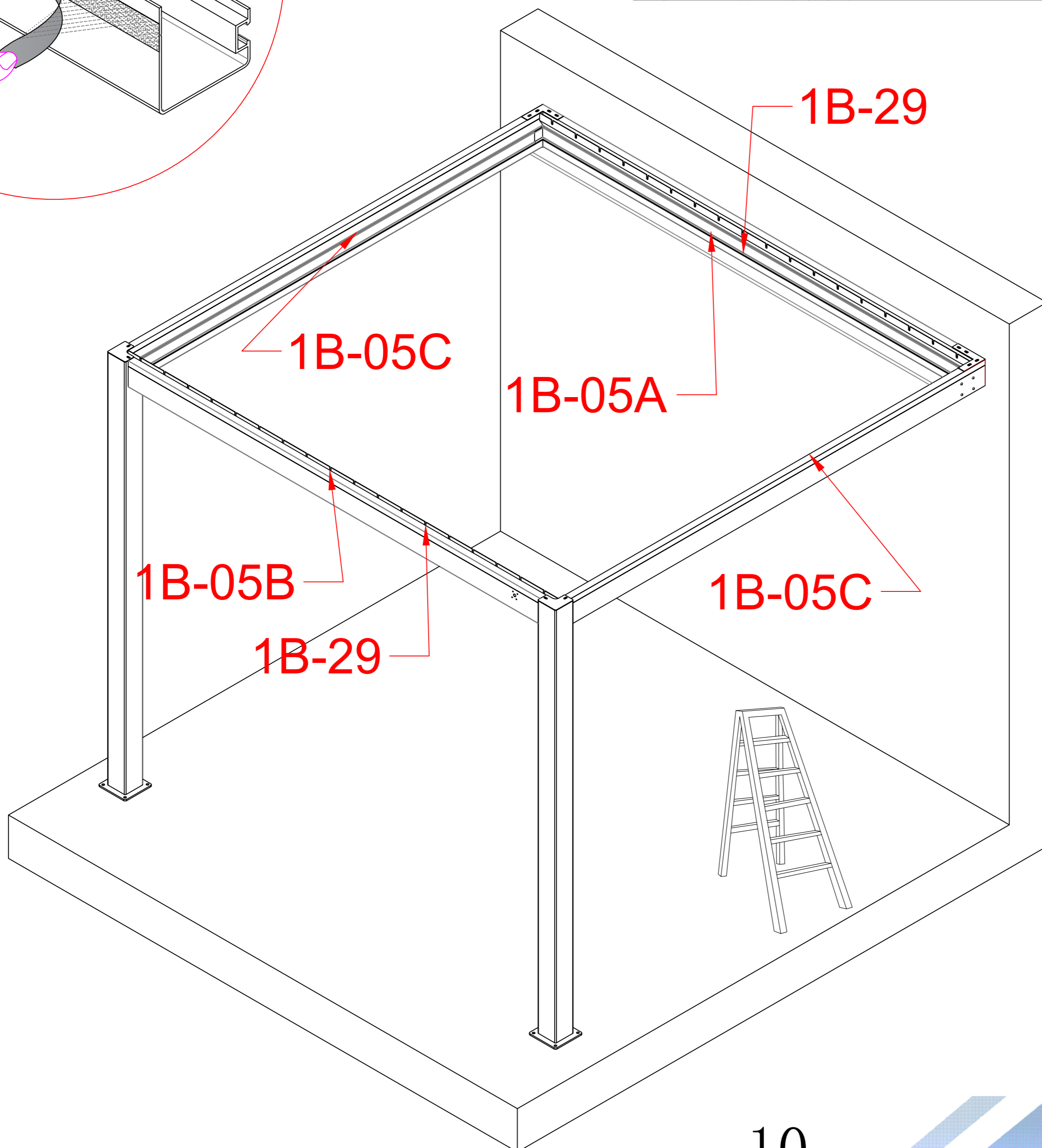
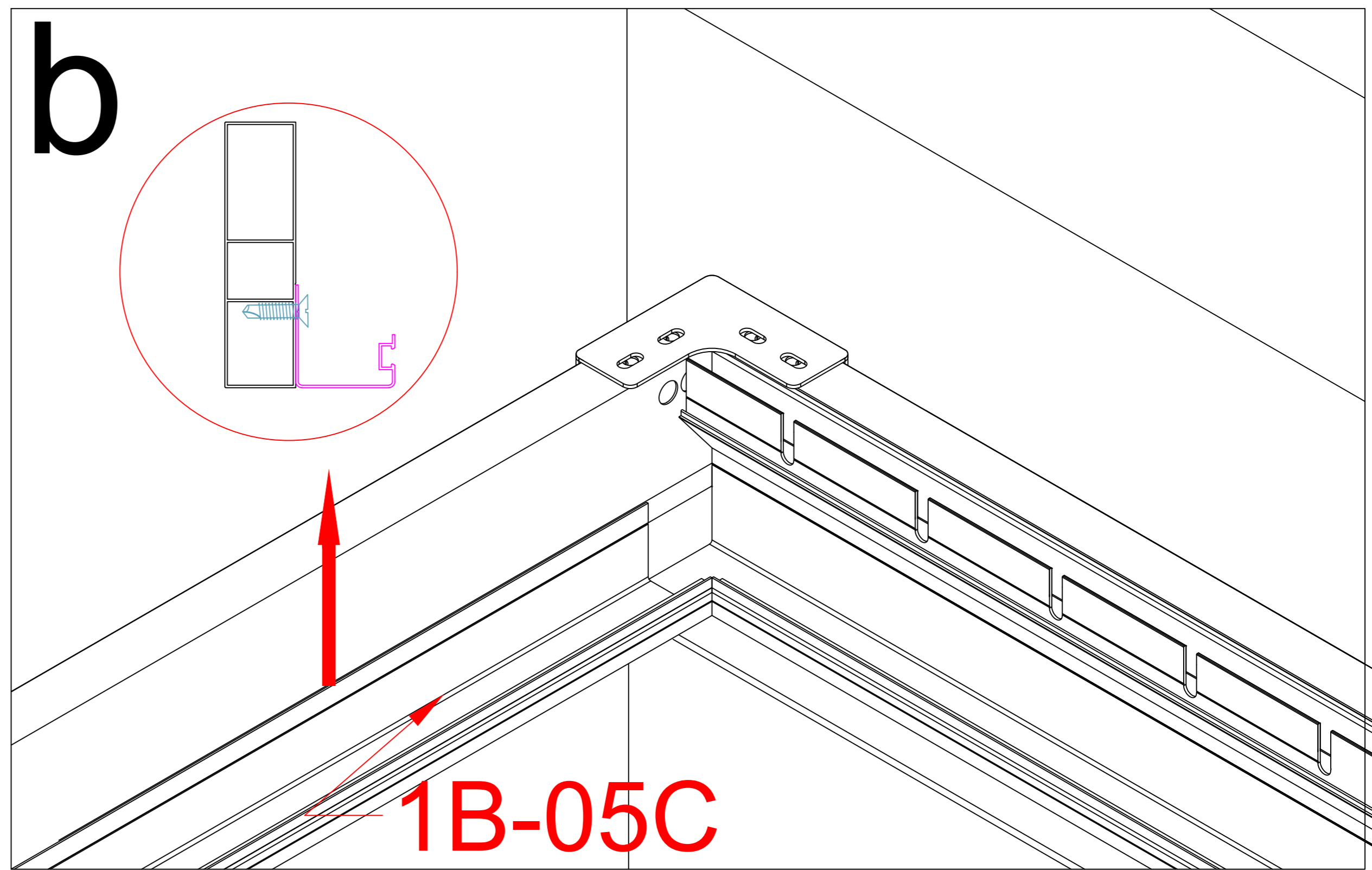
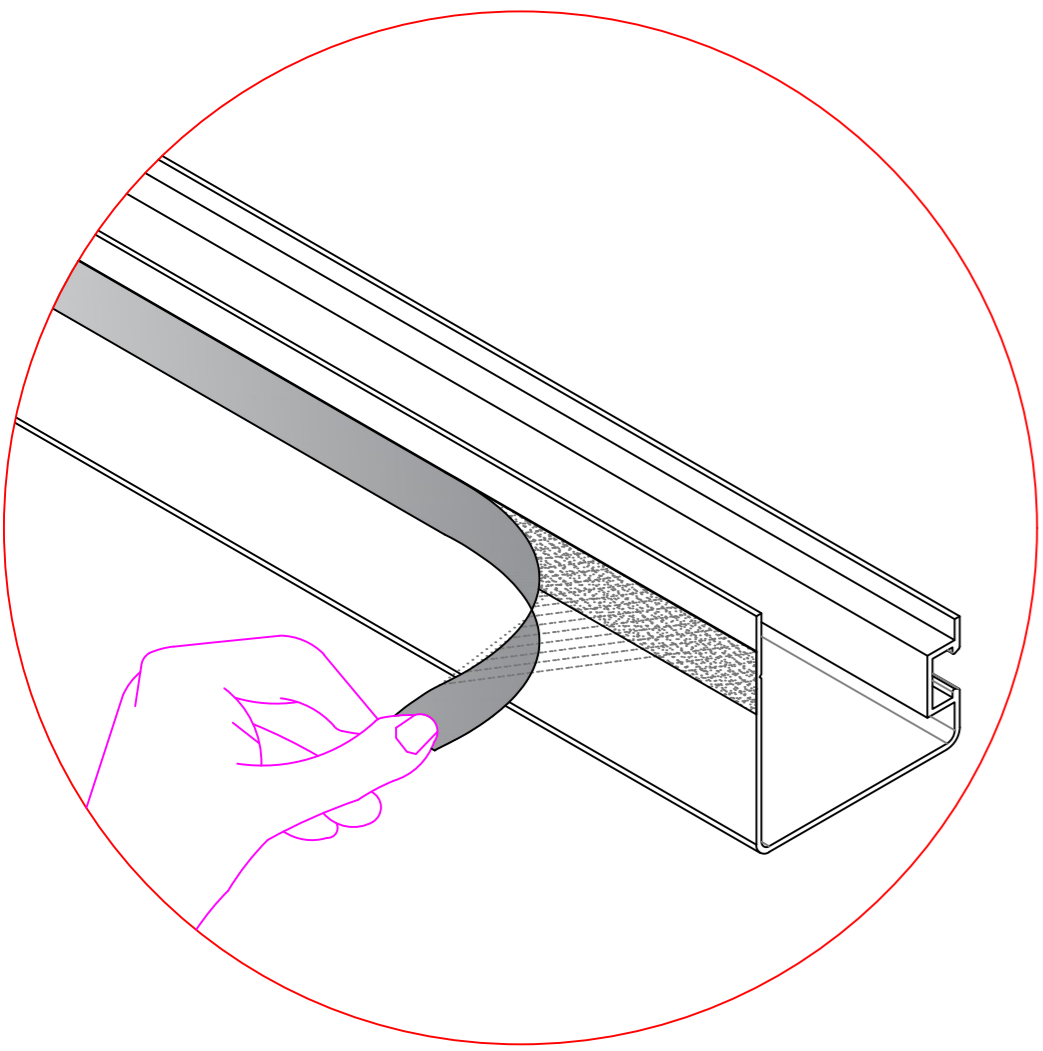
1B-23		10
1B-05A		1
1B-05B		1
1B-29		2



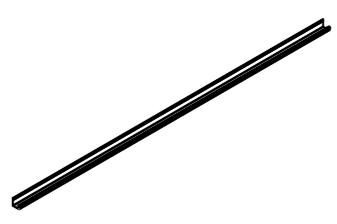
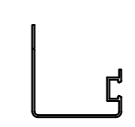
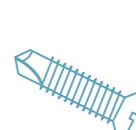




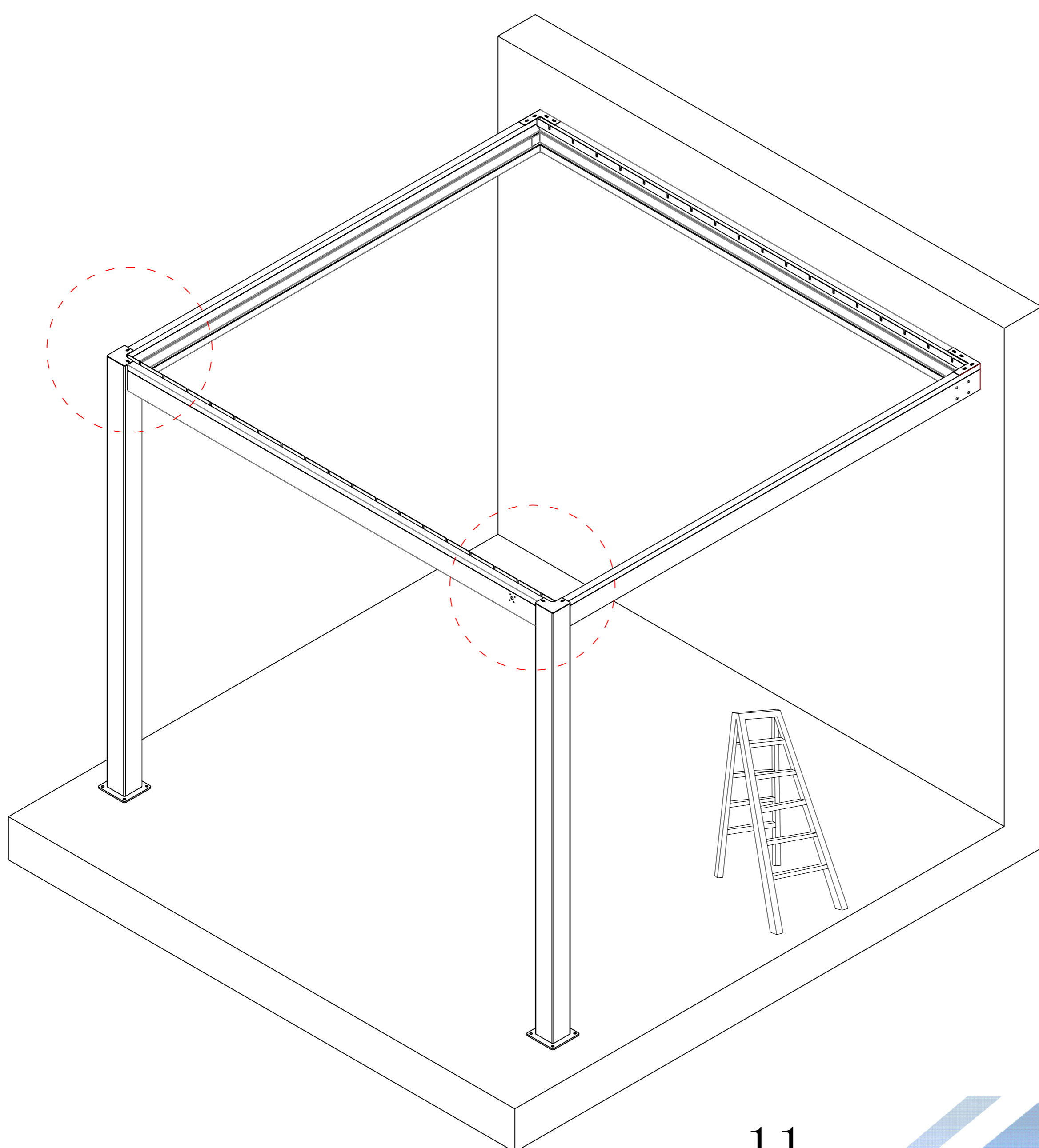
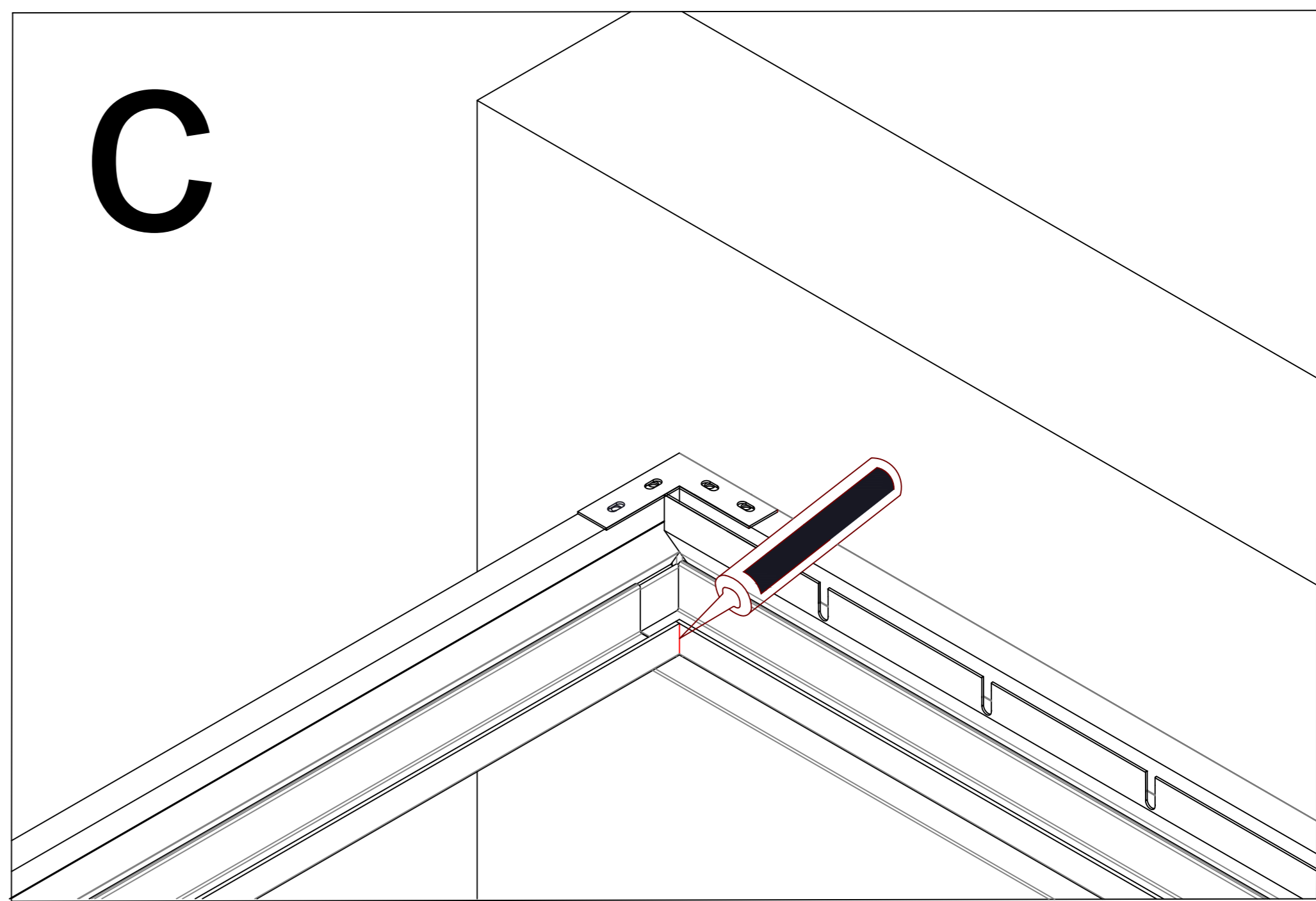
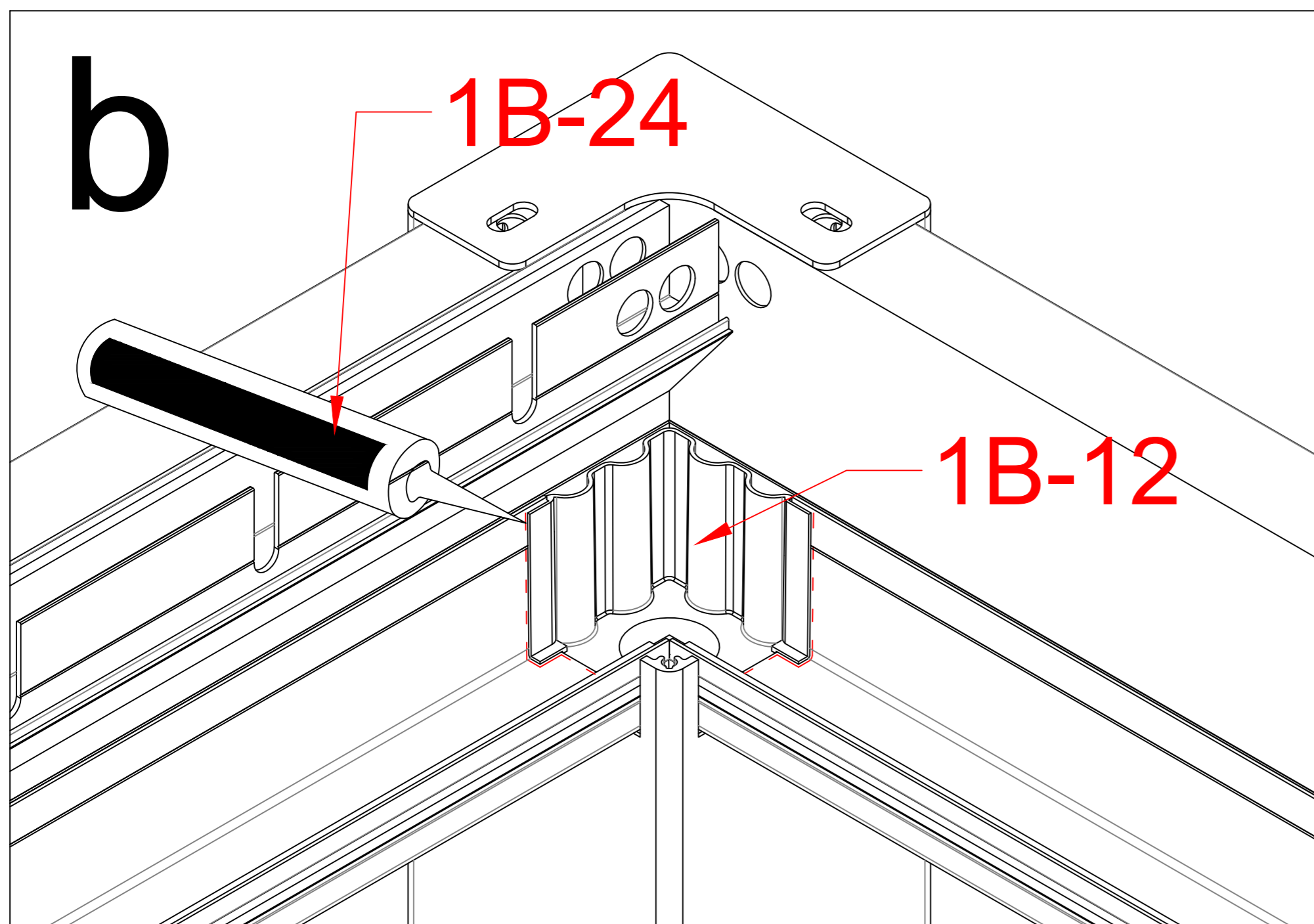
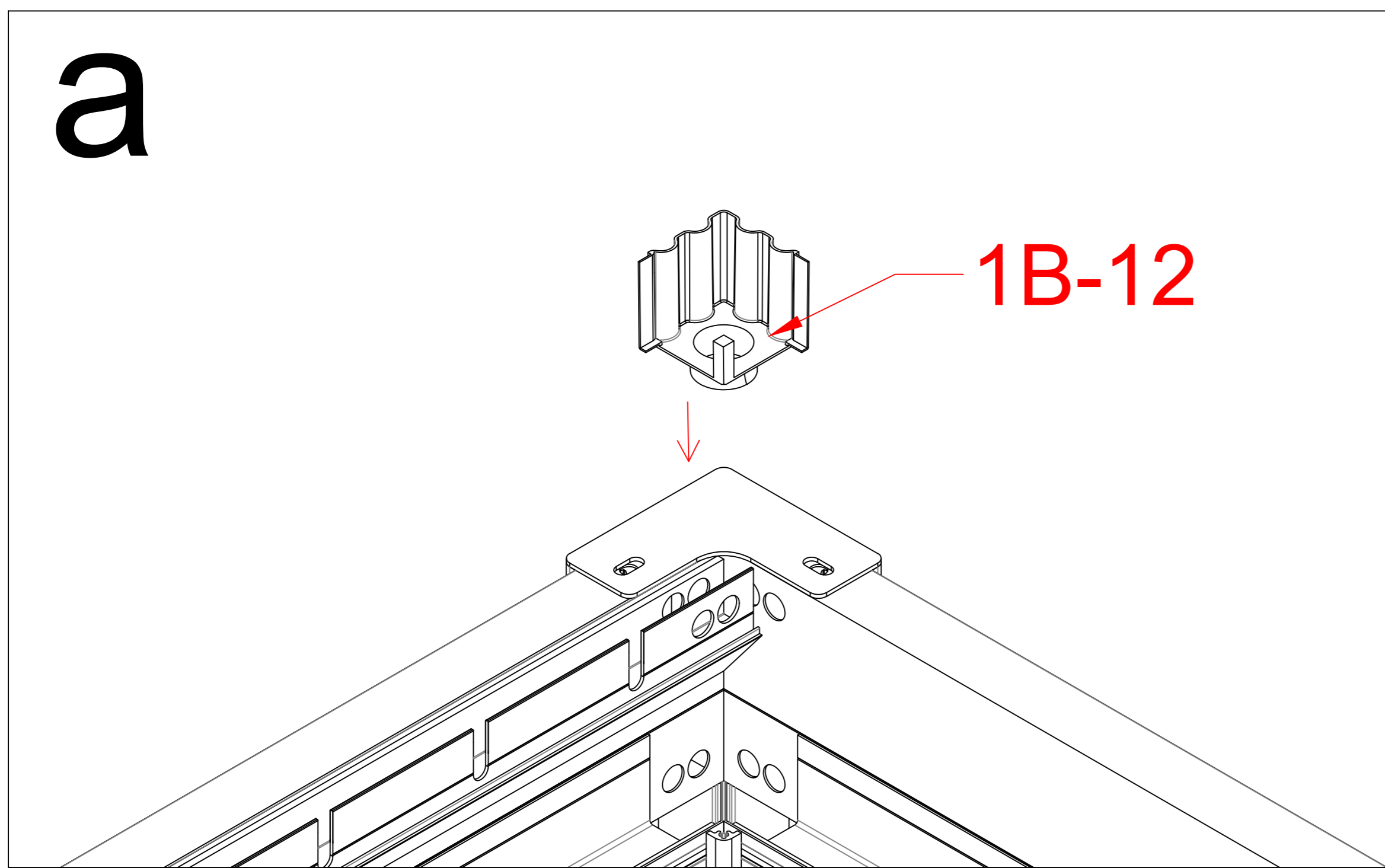
**warning:**  
 Before installation, tear off the double-sided adhesive protective film



3*4m-18	4screws/3m side 5screws/4m side
---------	------------------------------------

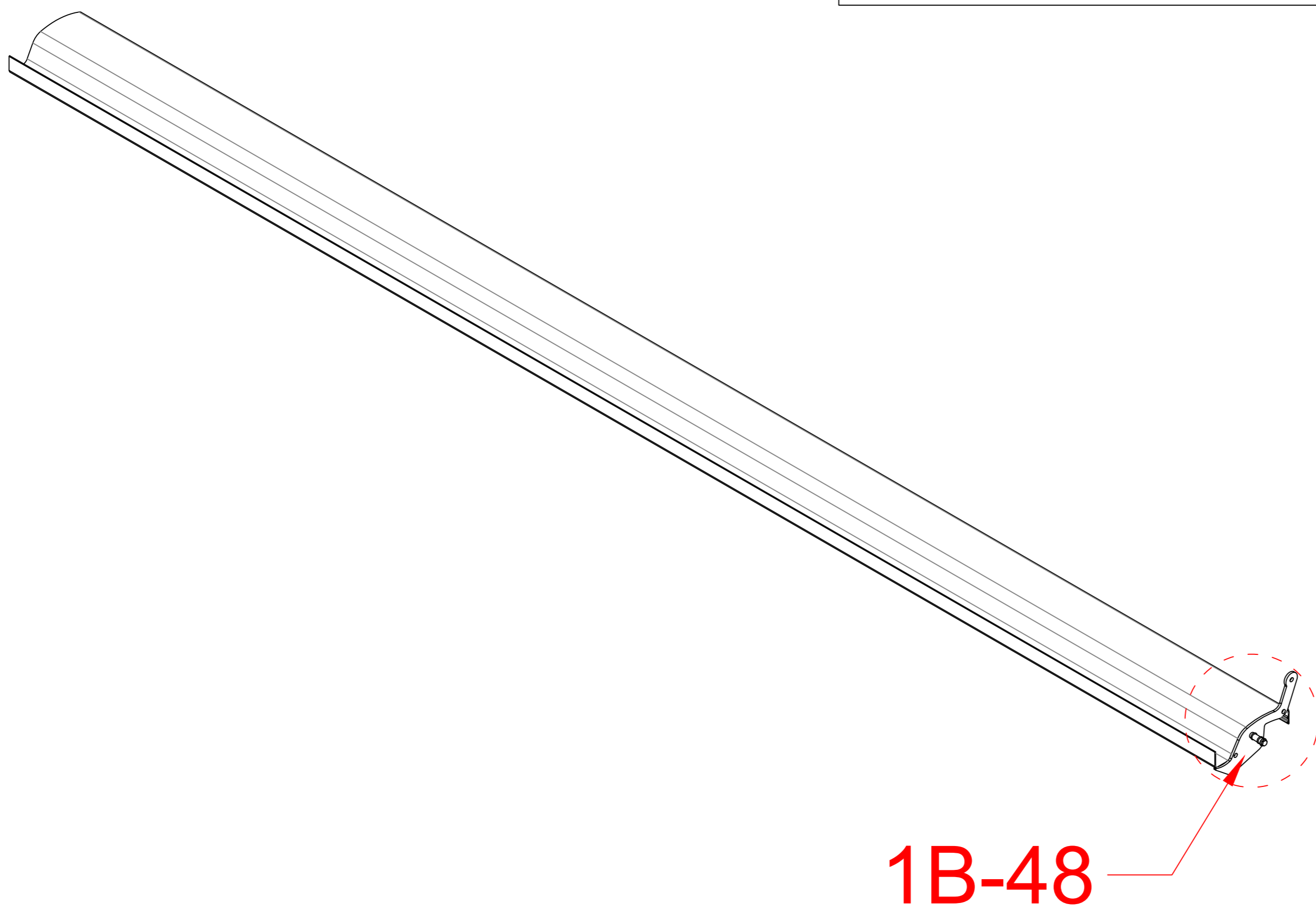
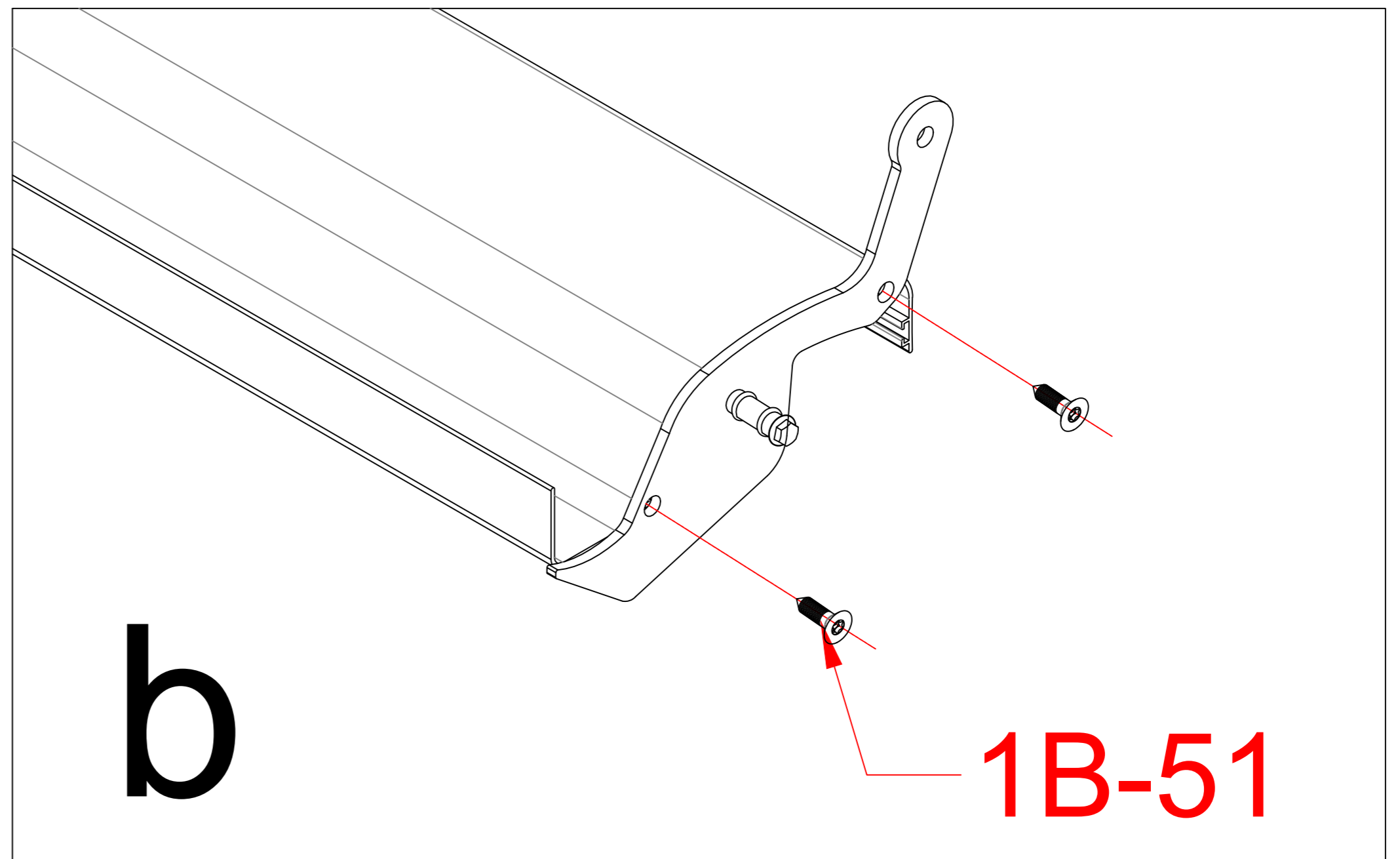
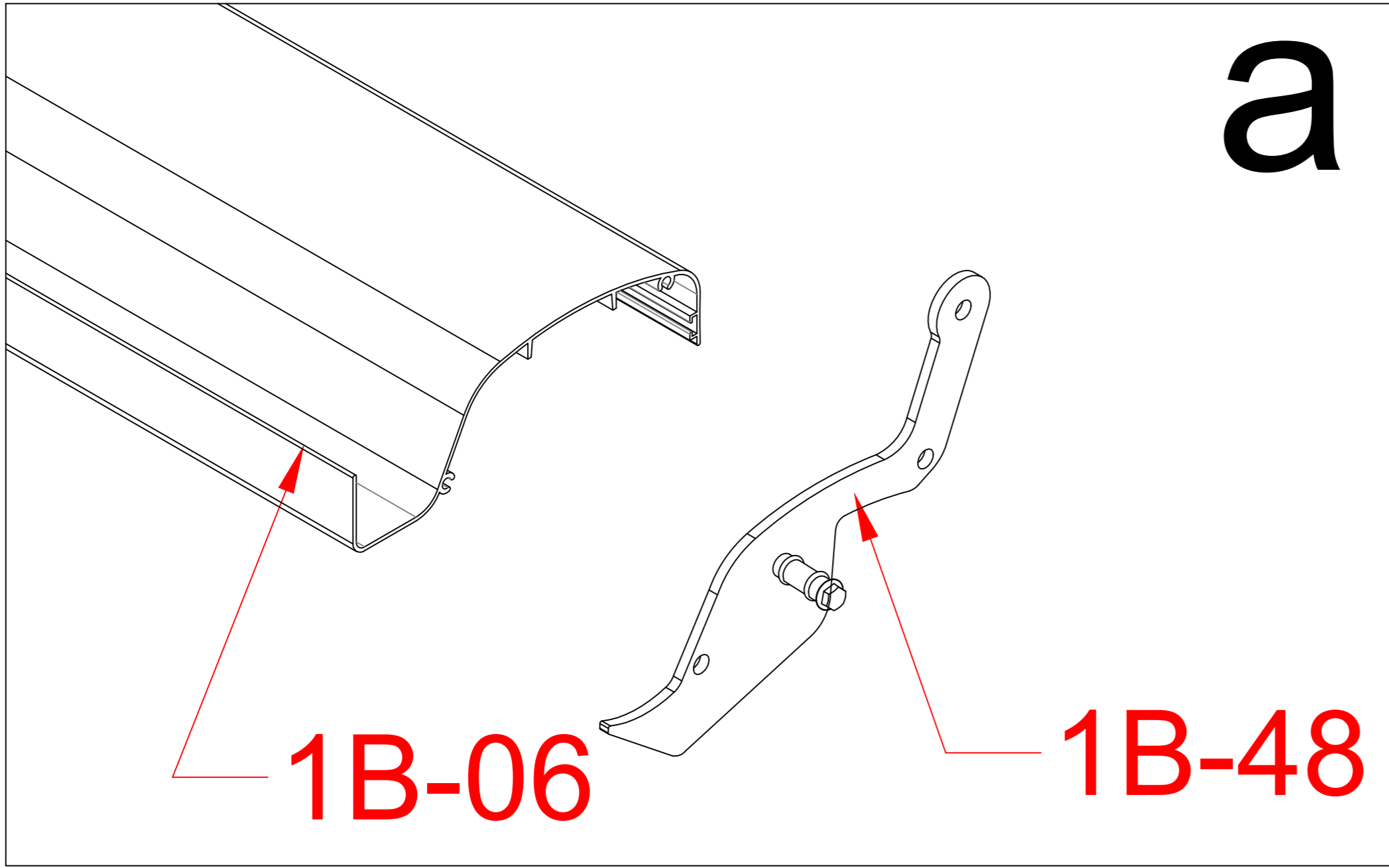
1B-05 C	 	2
1B-23		8



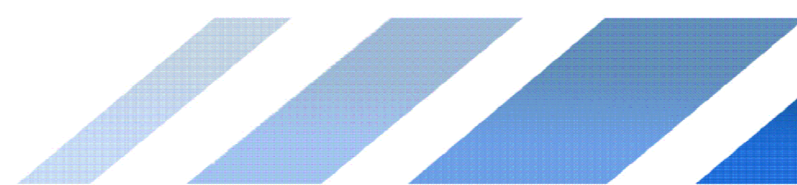


1B-24		1
1B-12		2

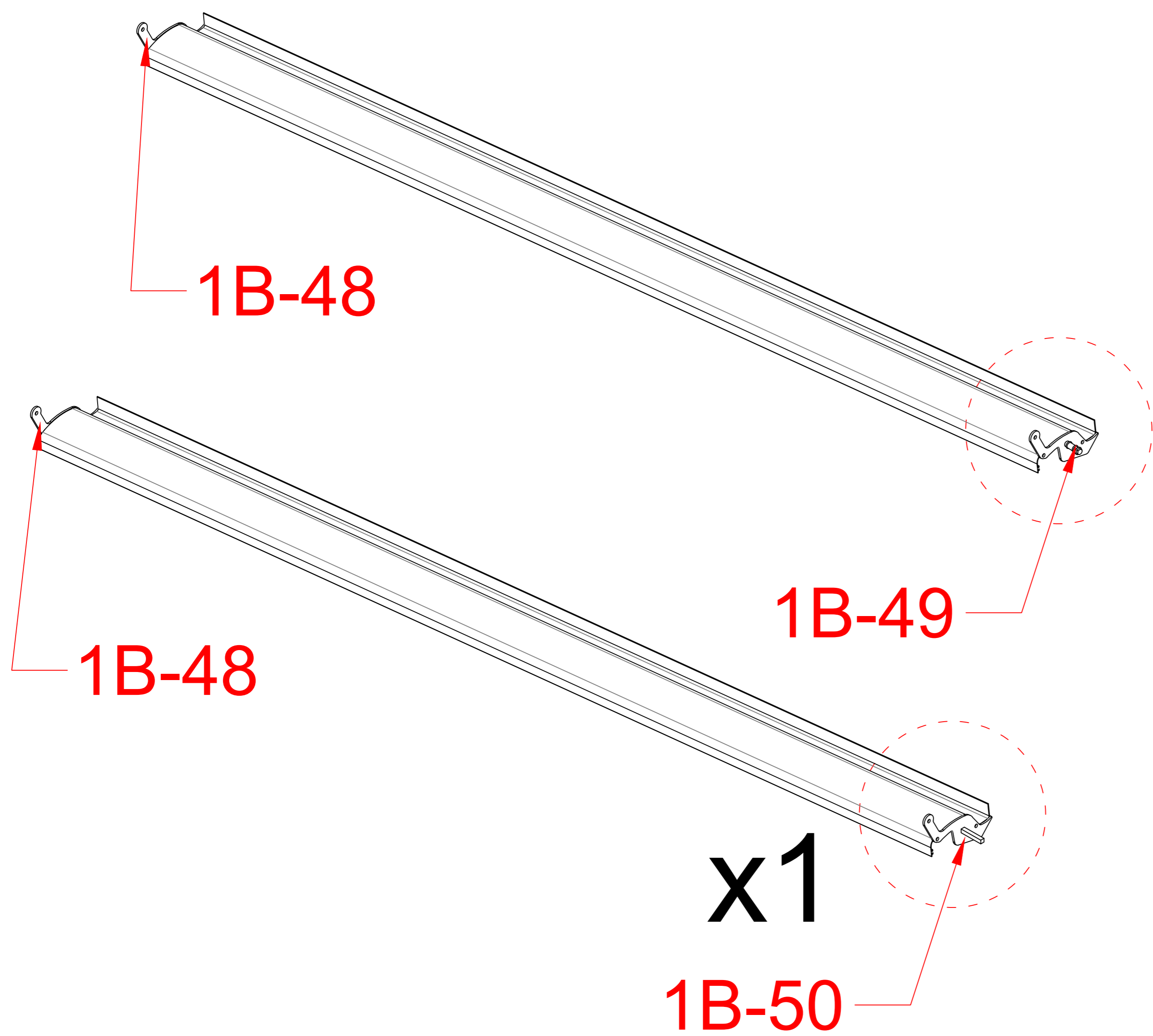
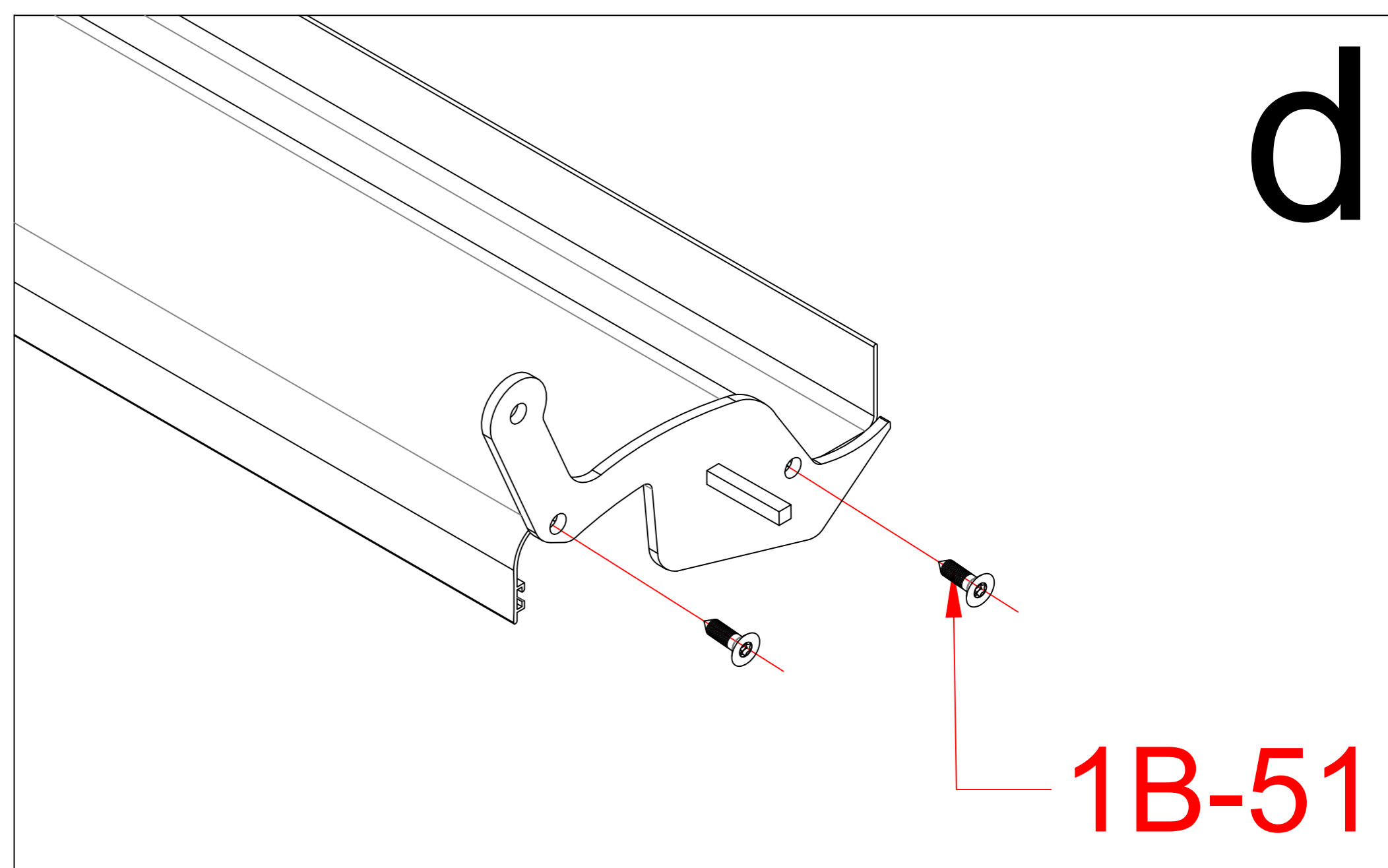
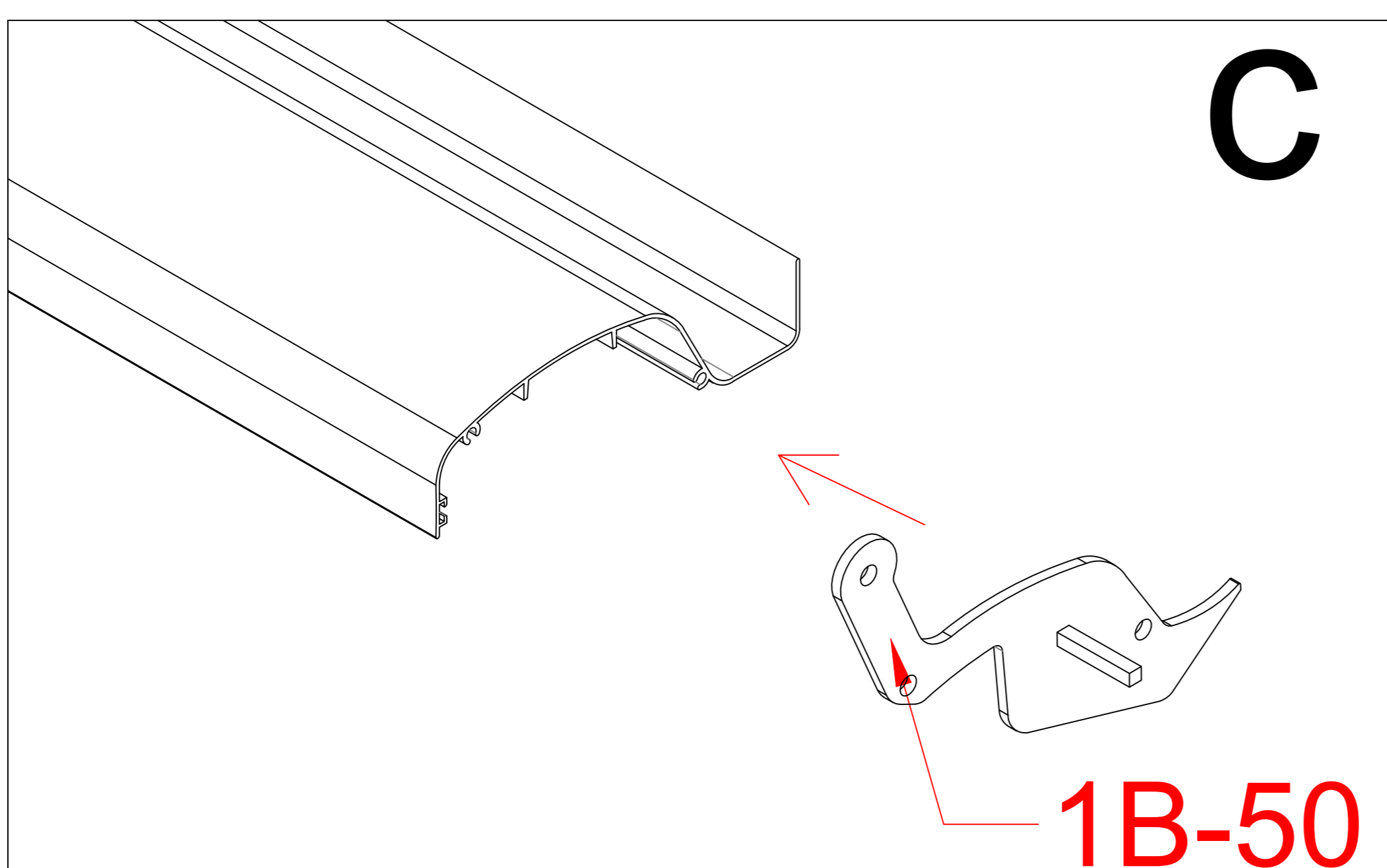
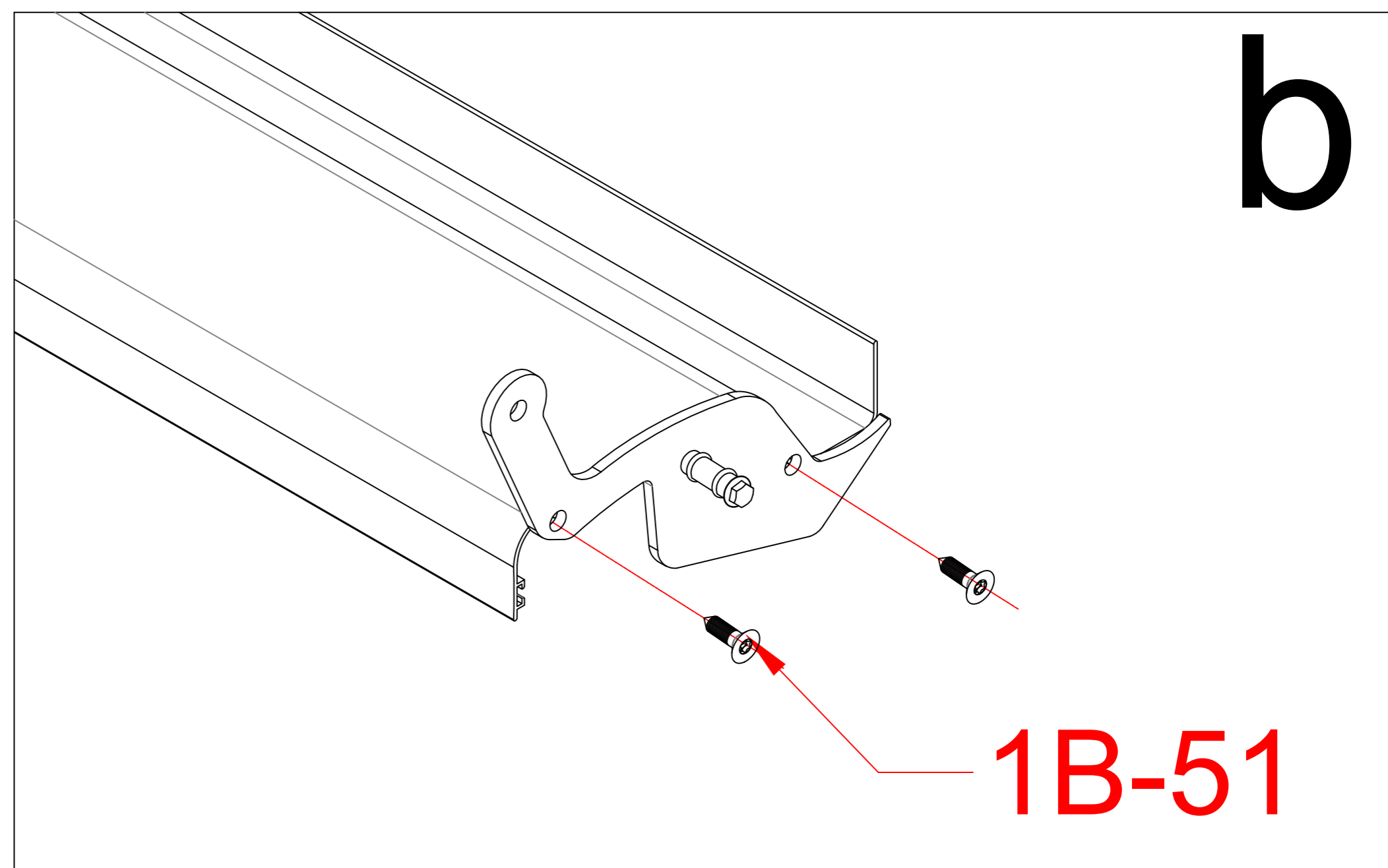
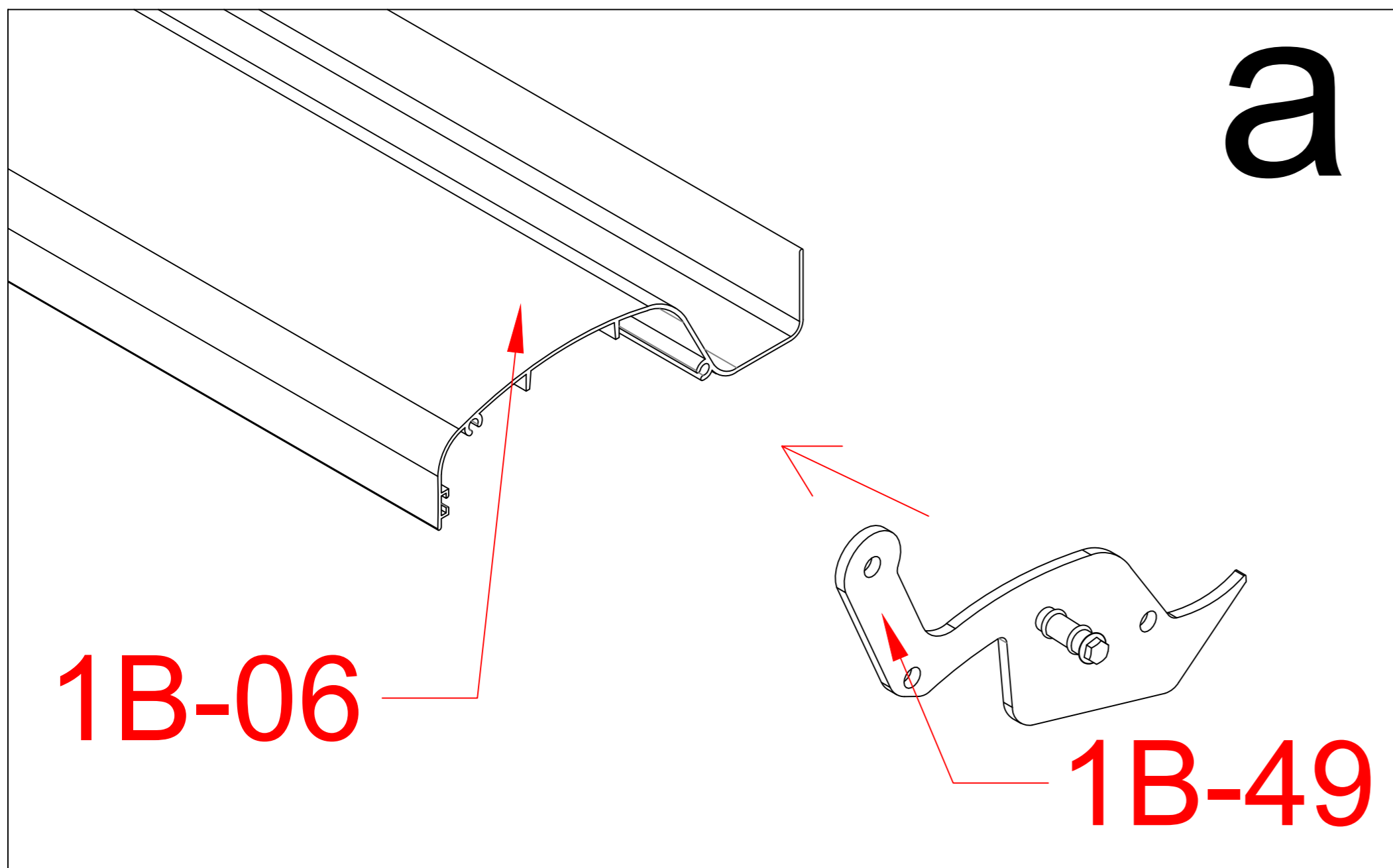




1B-64		1
1B-51	 M3.5*25	66
1B-06		33
1B-48		33



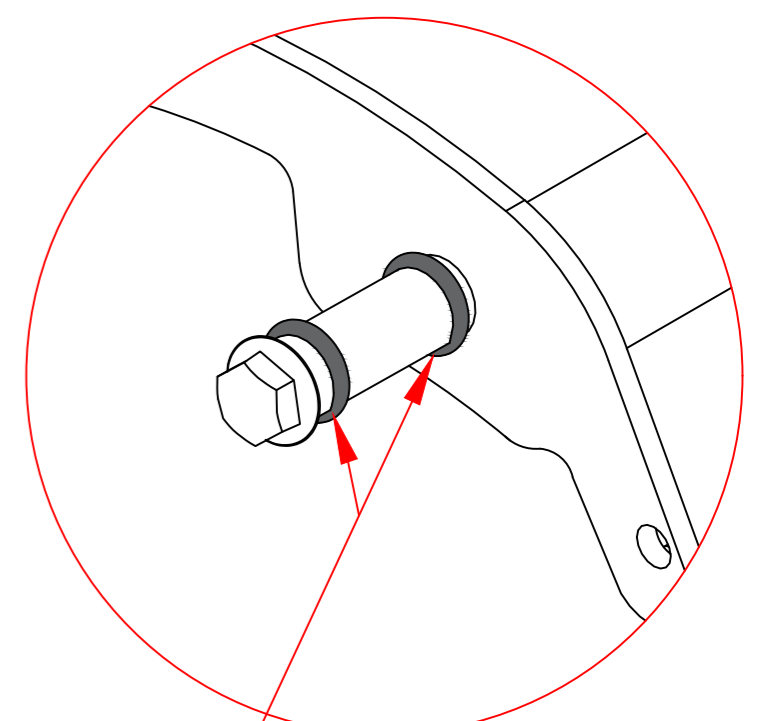
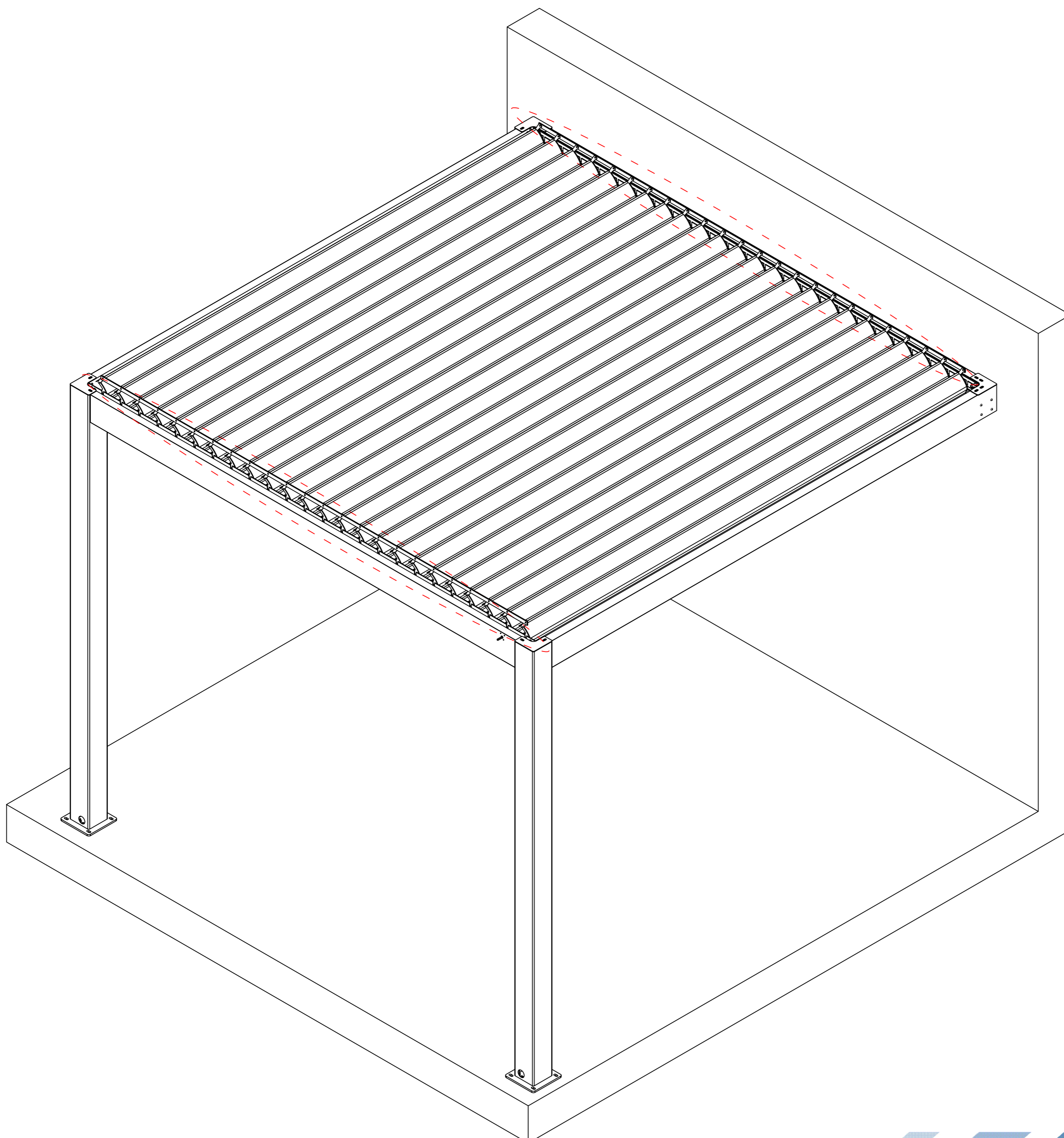
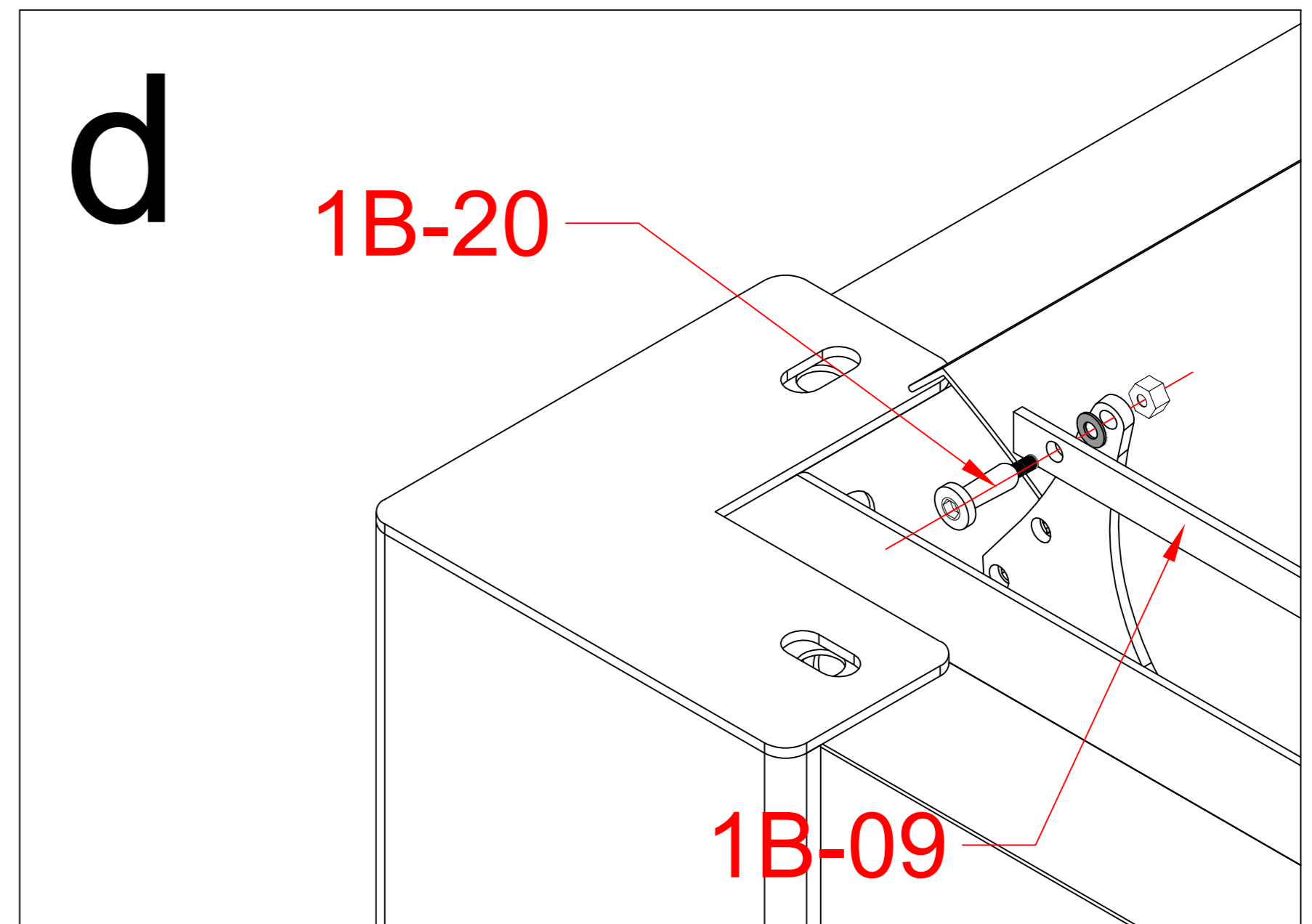
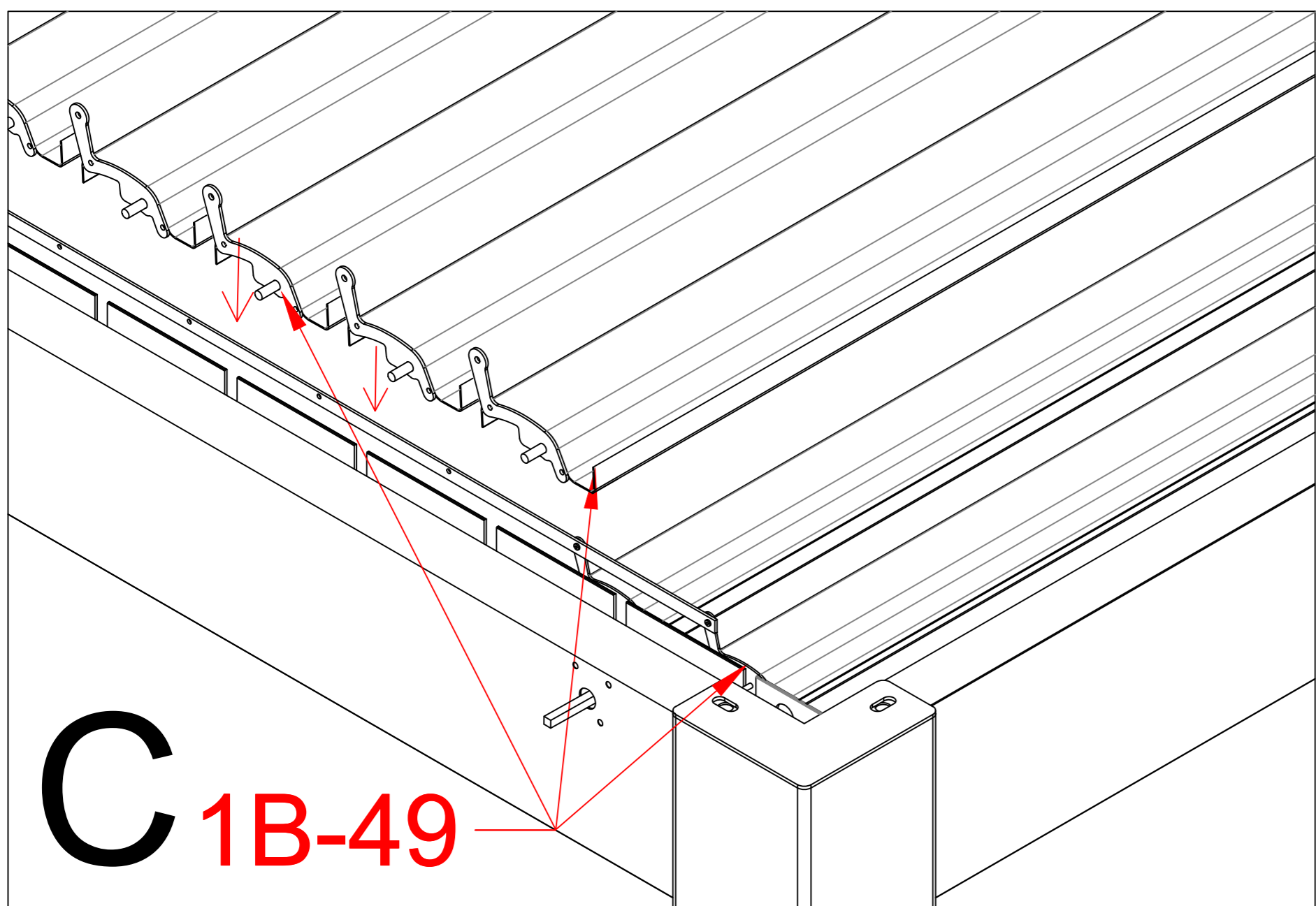
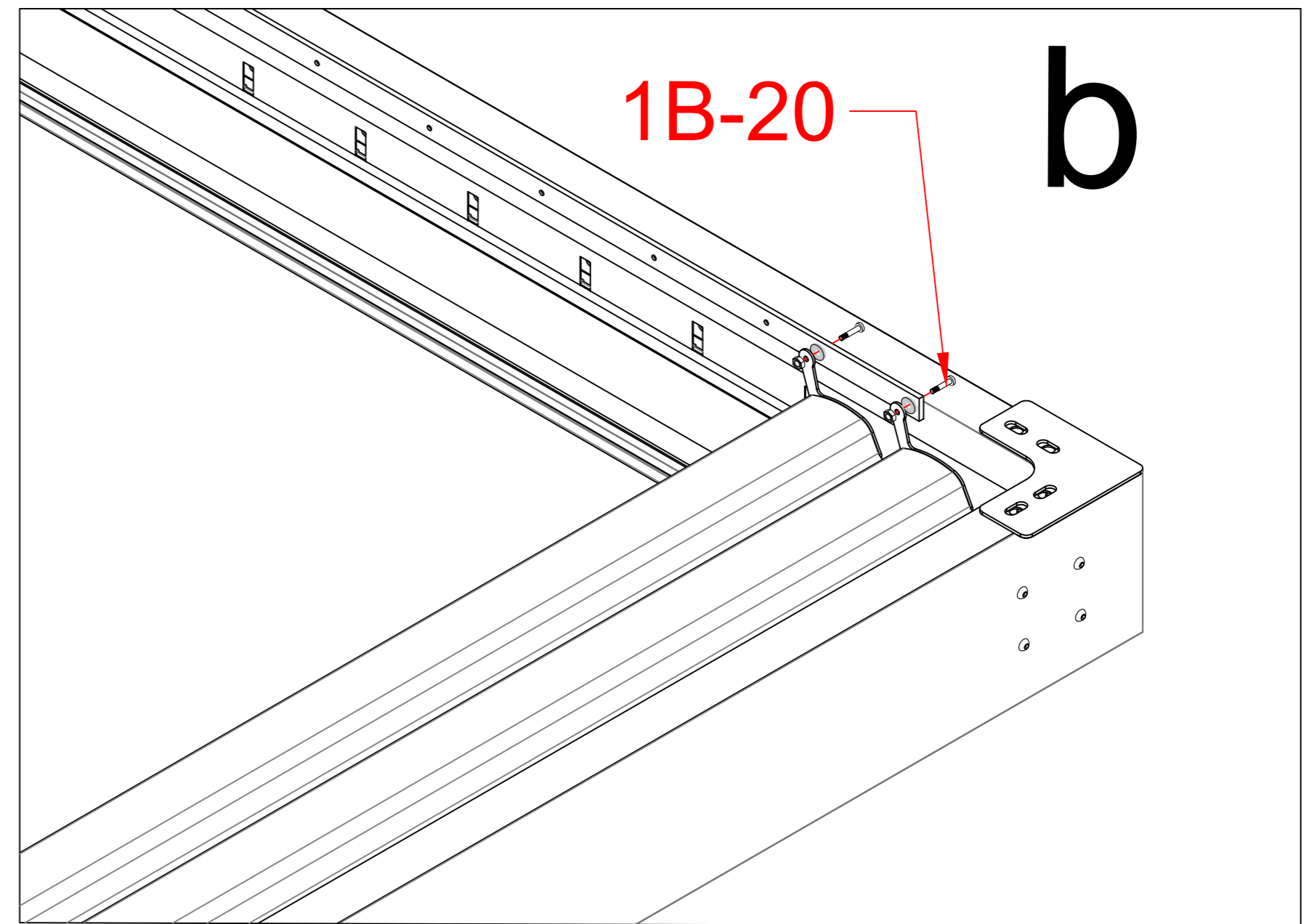
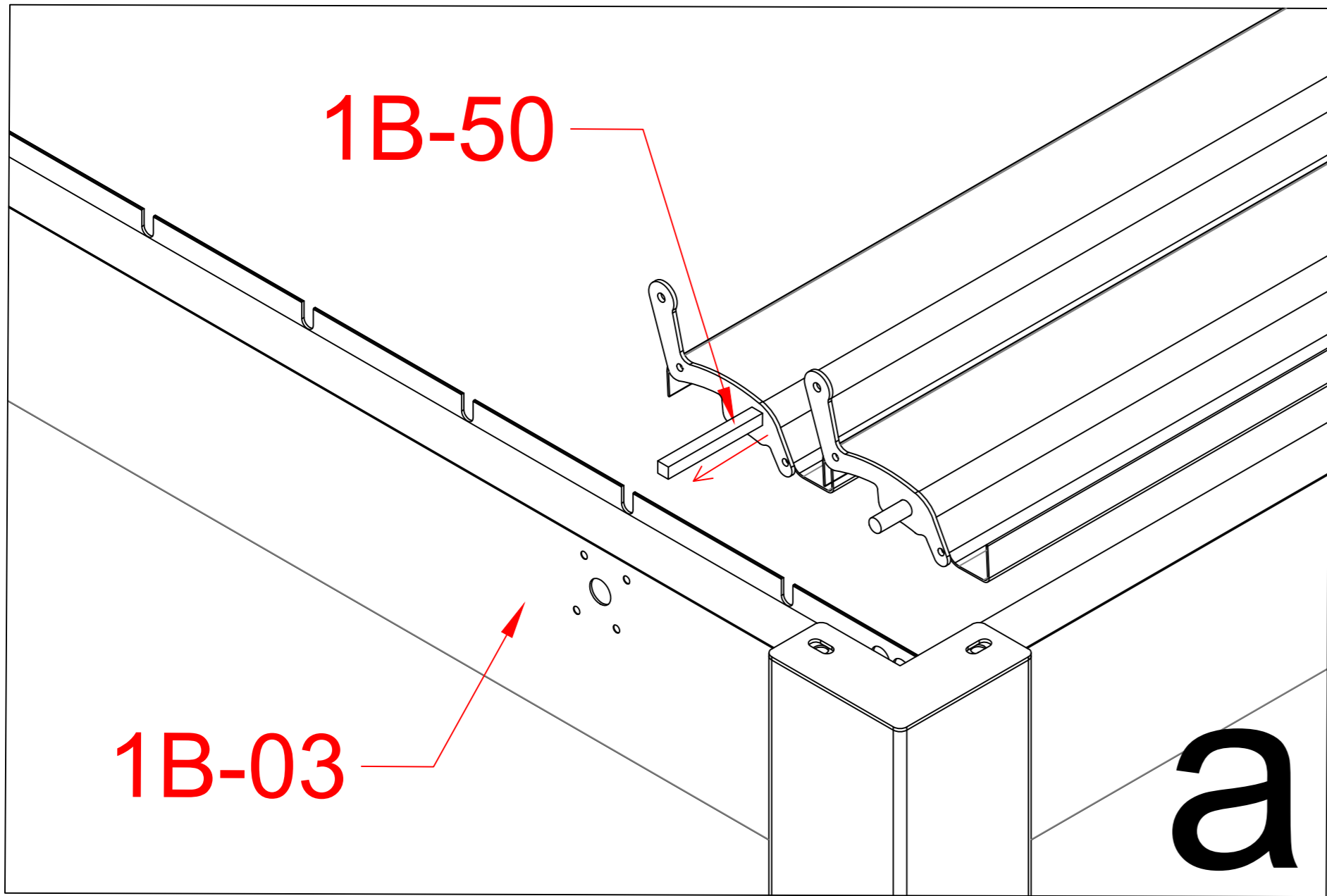




1B-64		1
1B-49		32
1B-50		1
1B-51		66





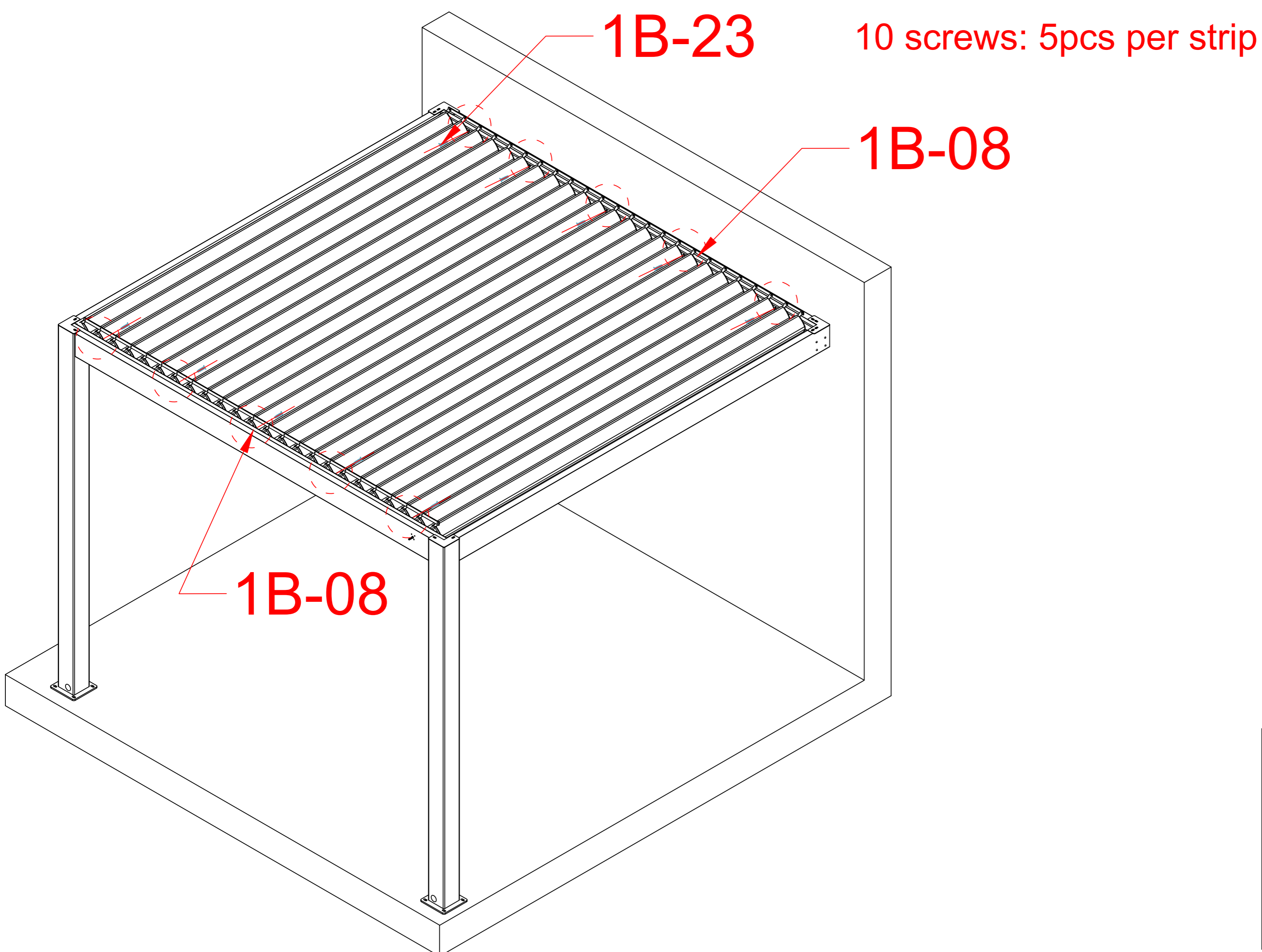
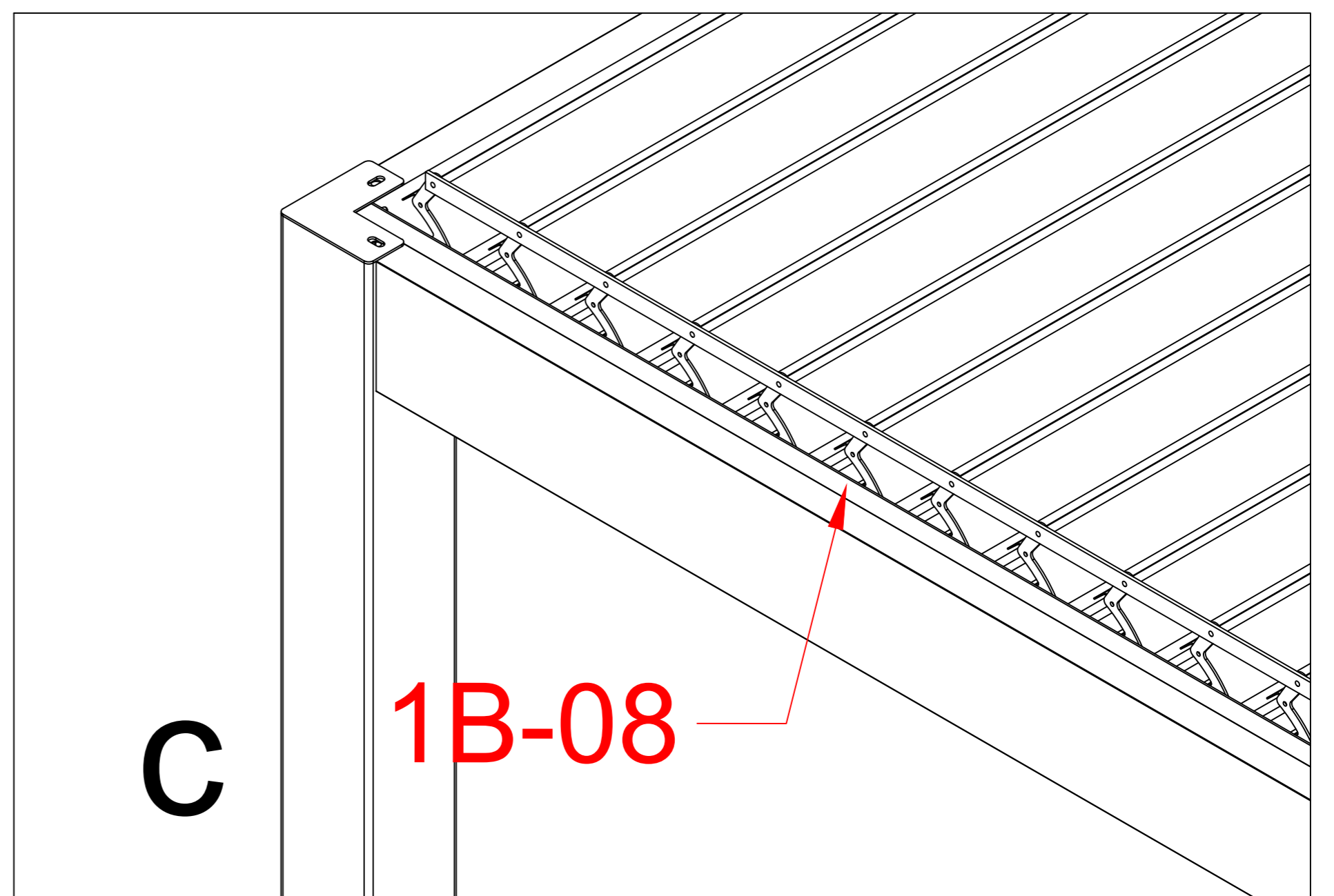
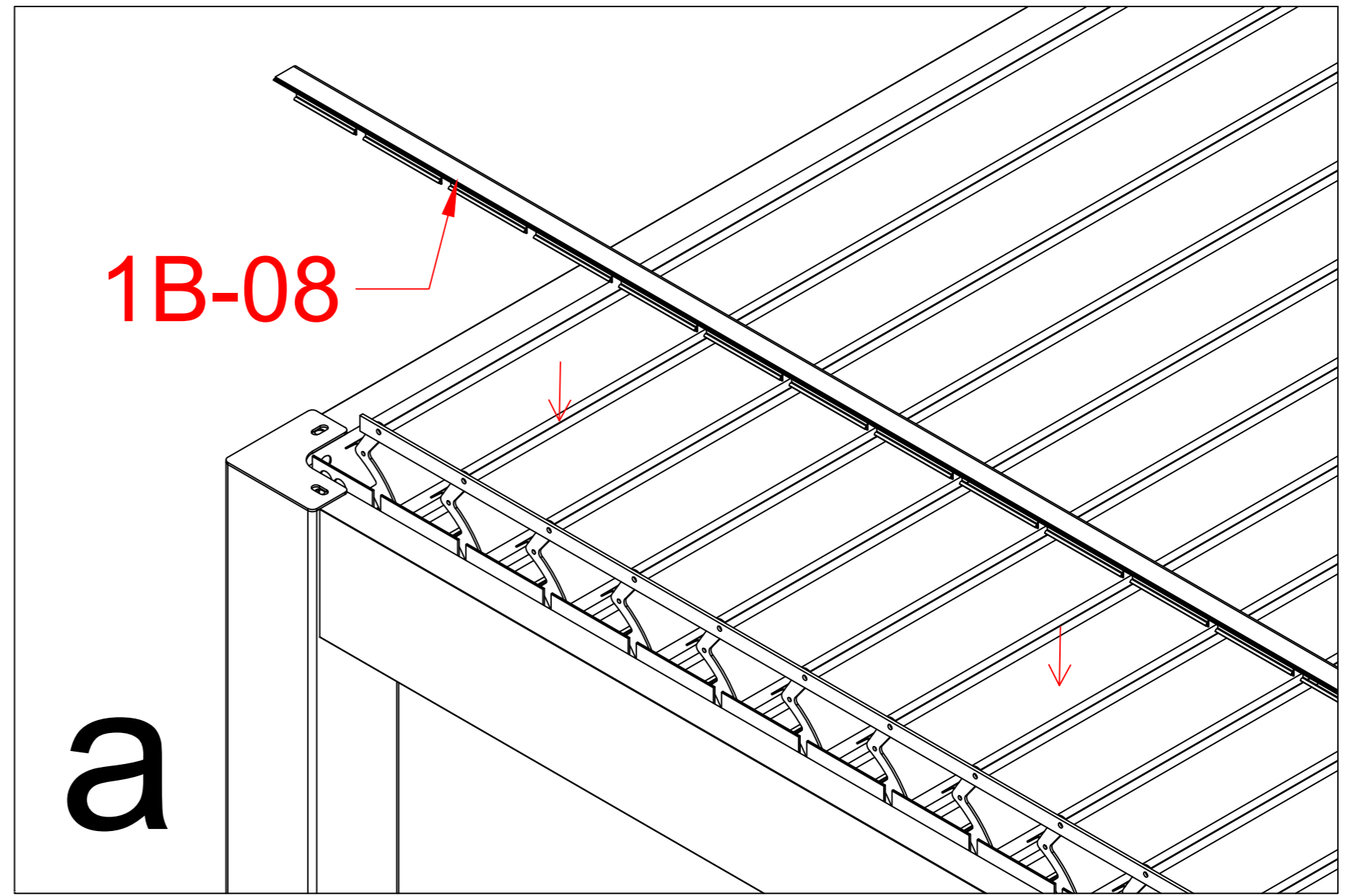
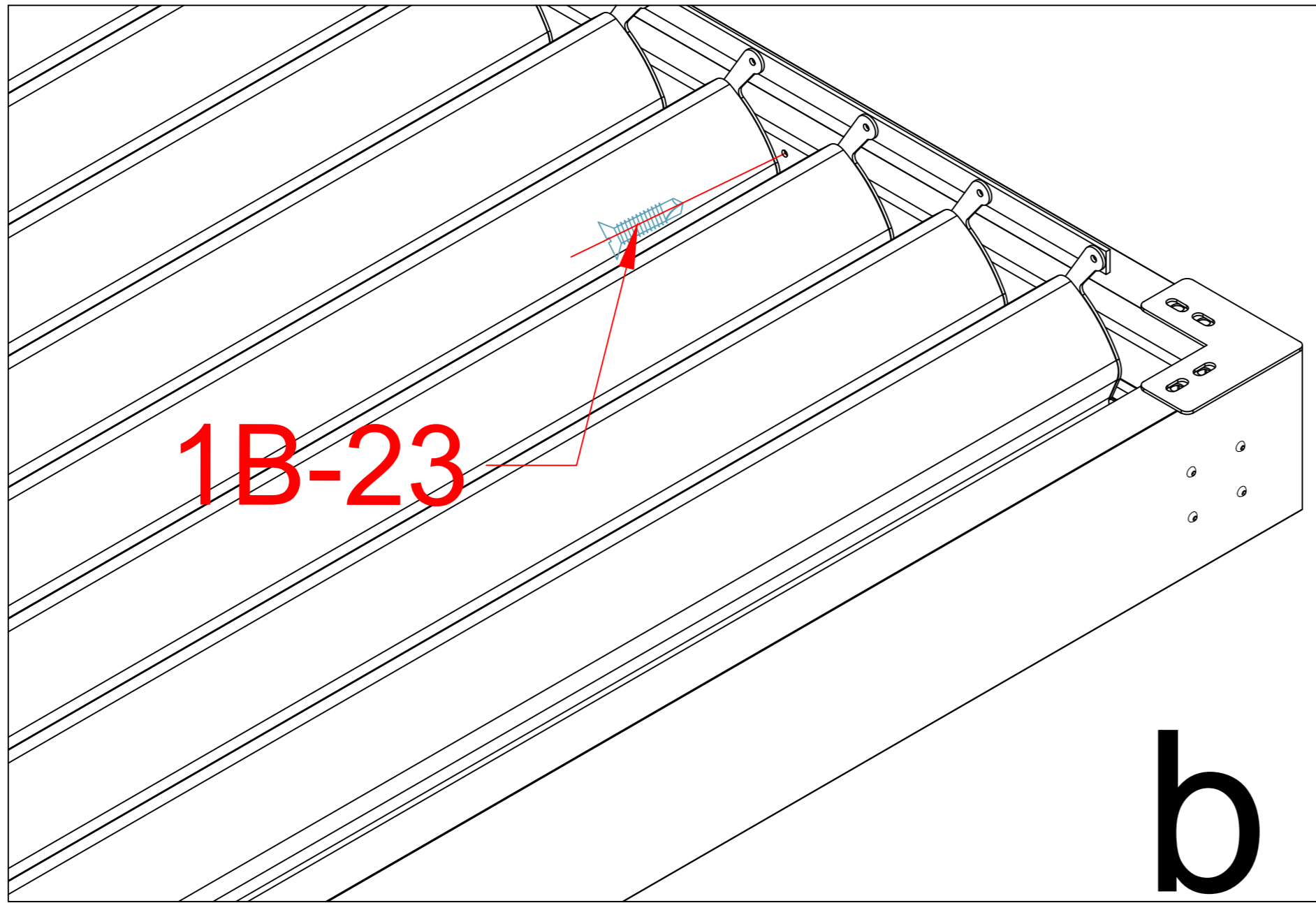


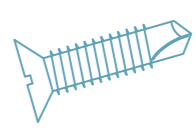
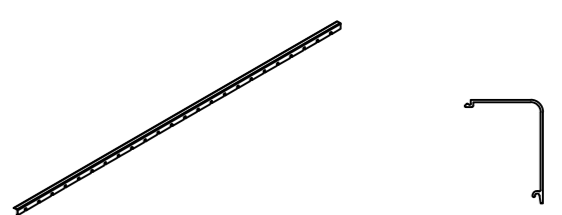
When installing louvers, first separate the two rubber gaskets and slide them to both ends of the circular shaft. Then, please ensure they are closed tightly before proceeding with the next steps of the installation.

1B-09		2
1B-20		66
1B-06		33

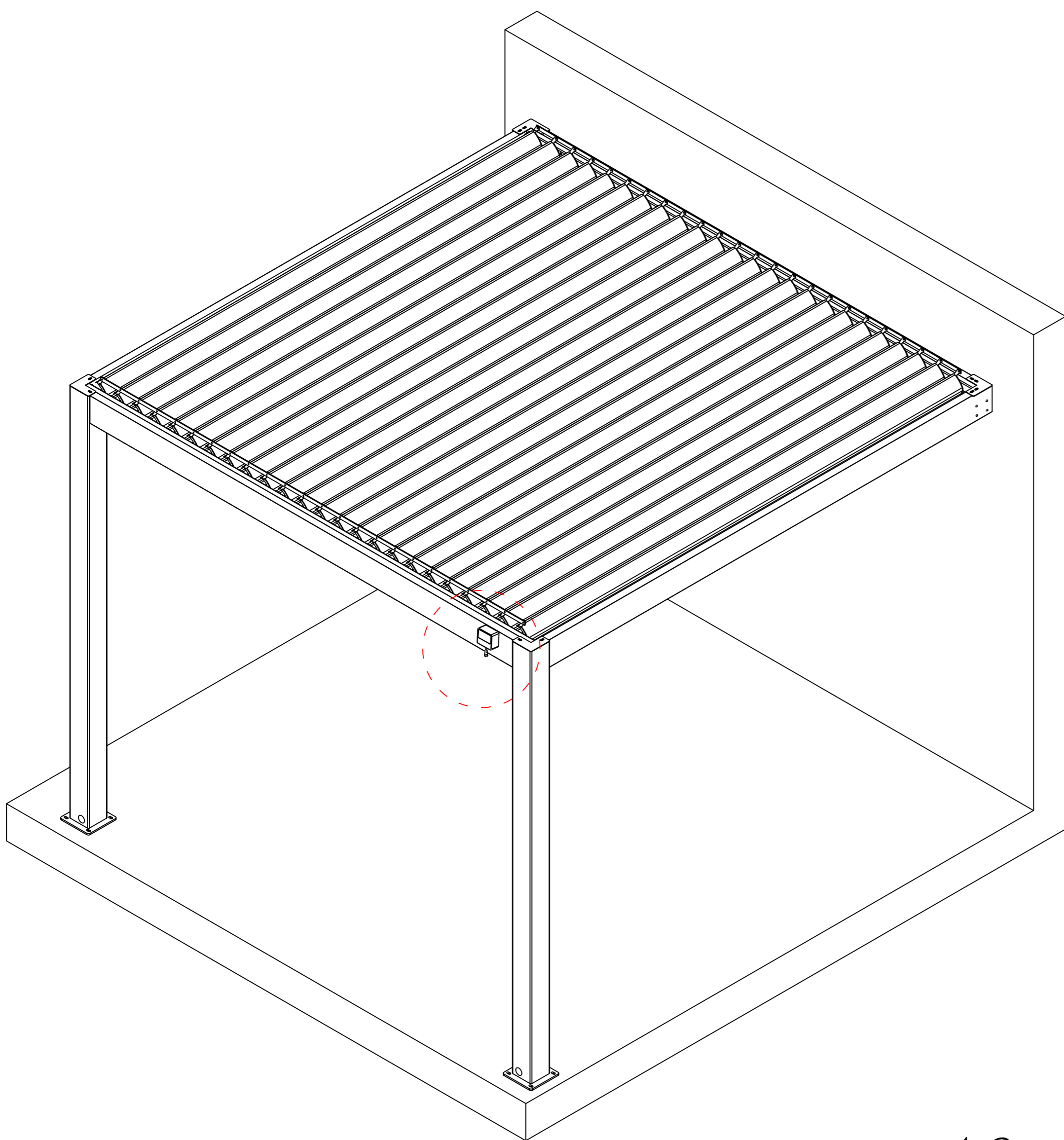
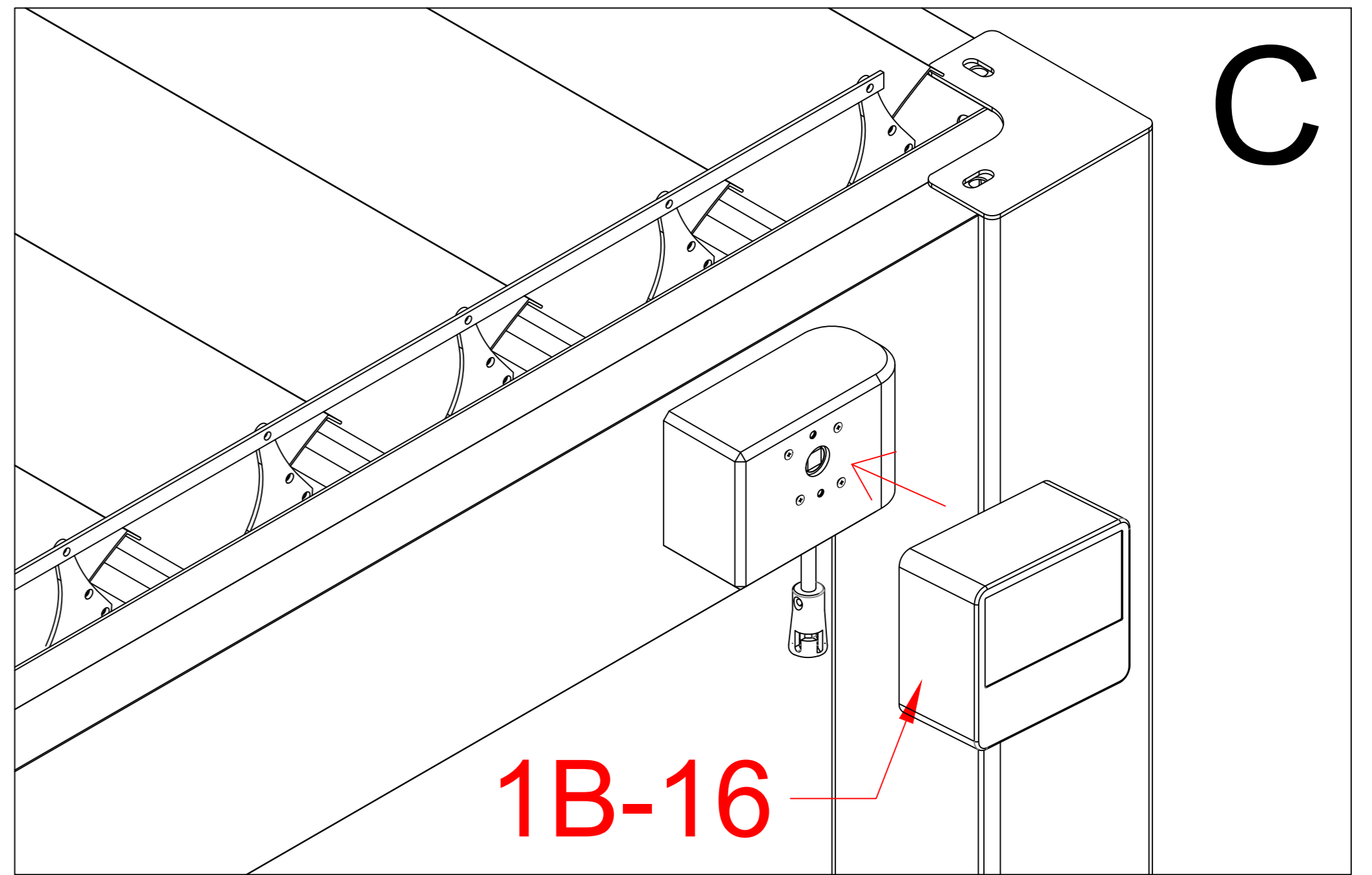
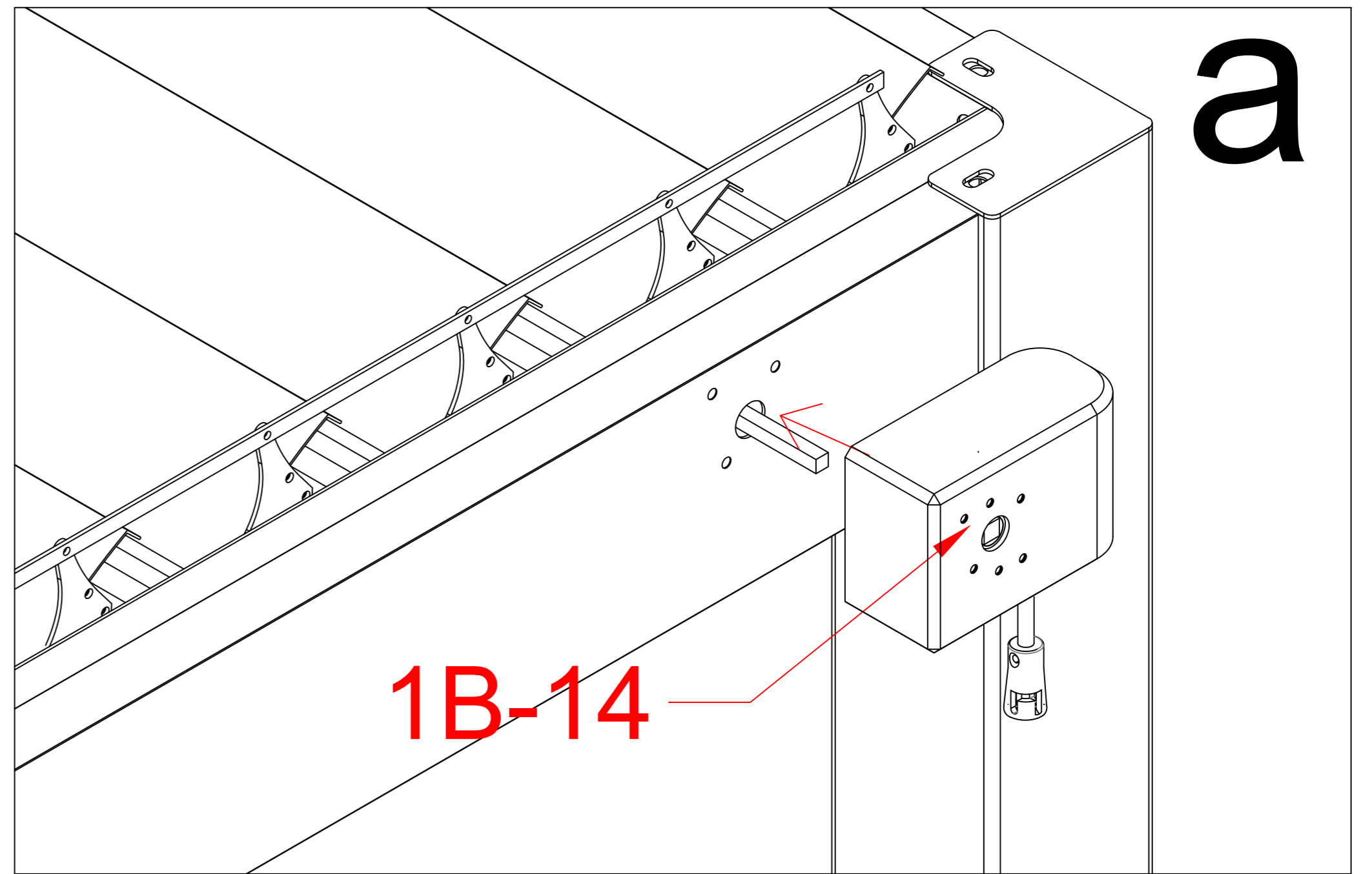
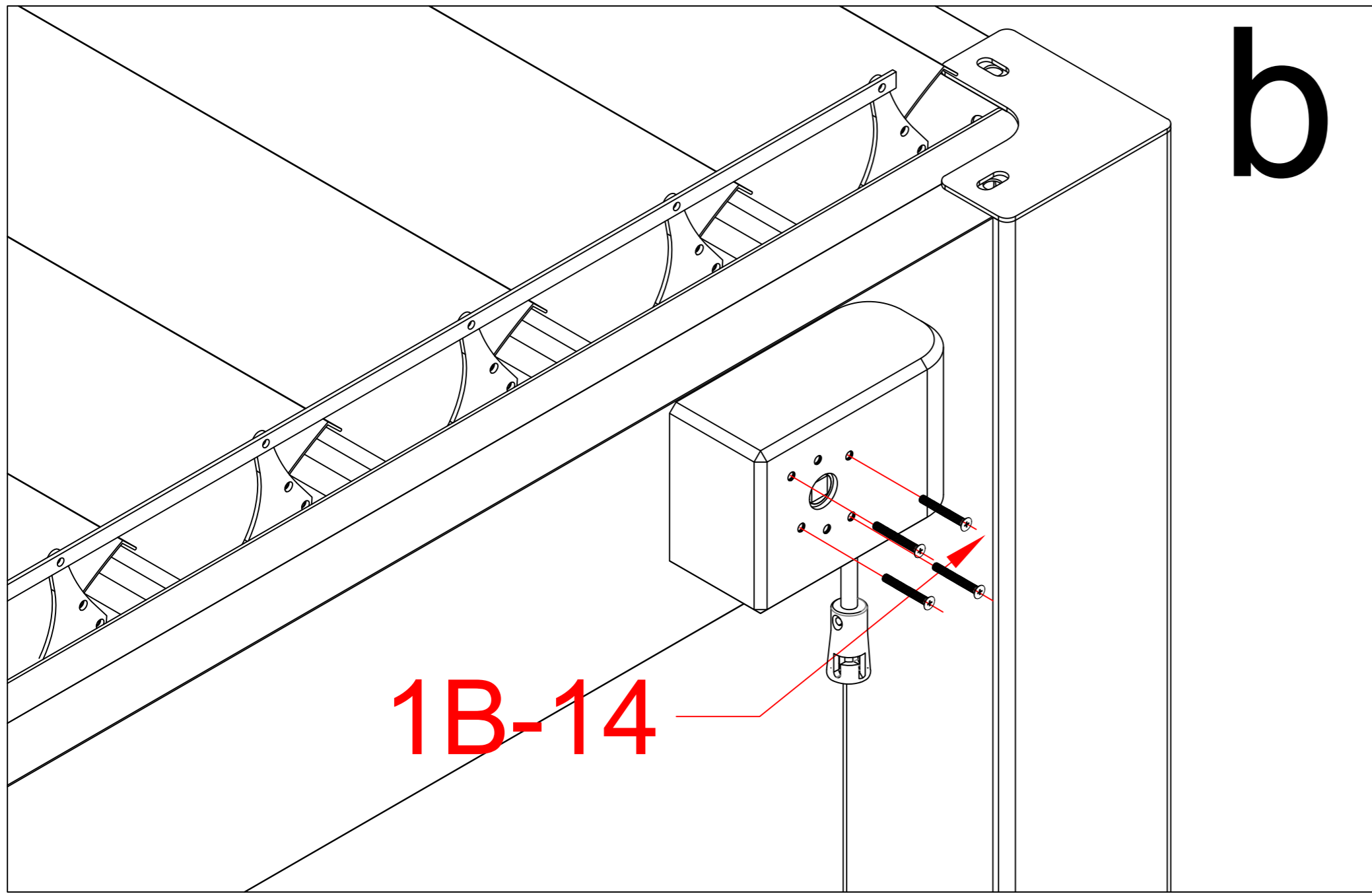


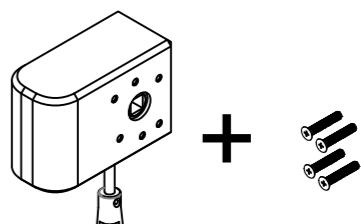

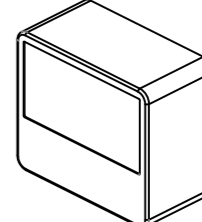




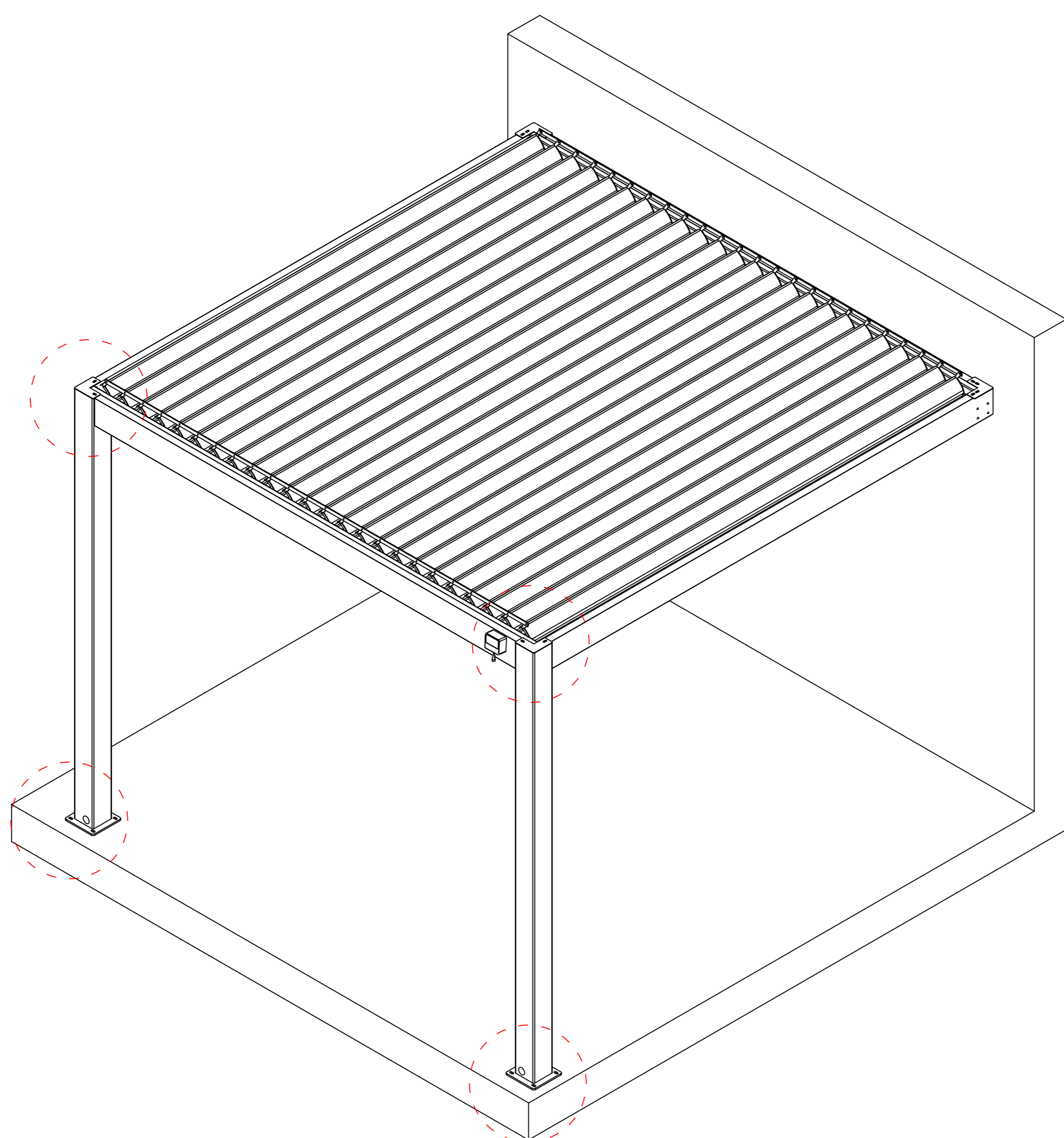
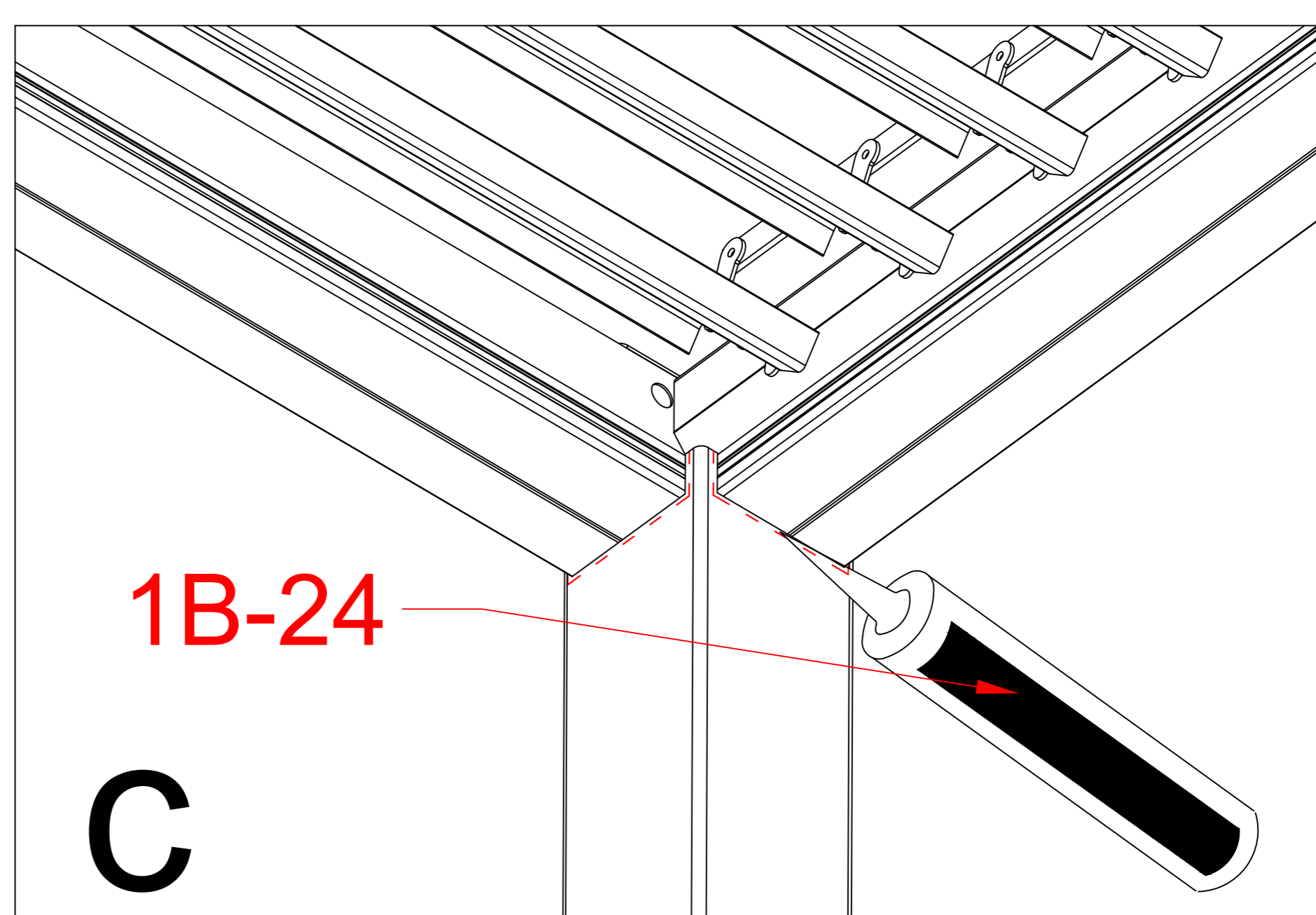
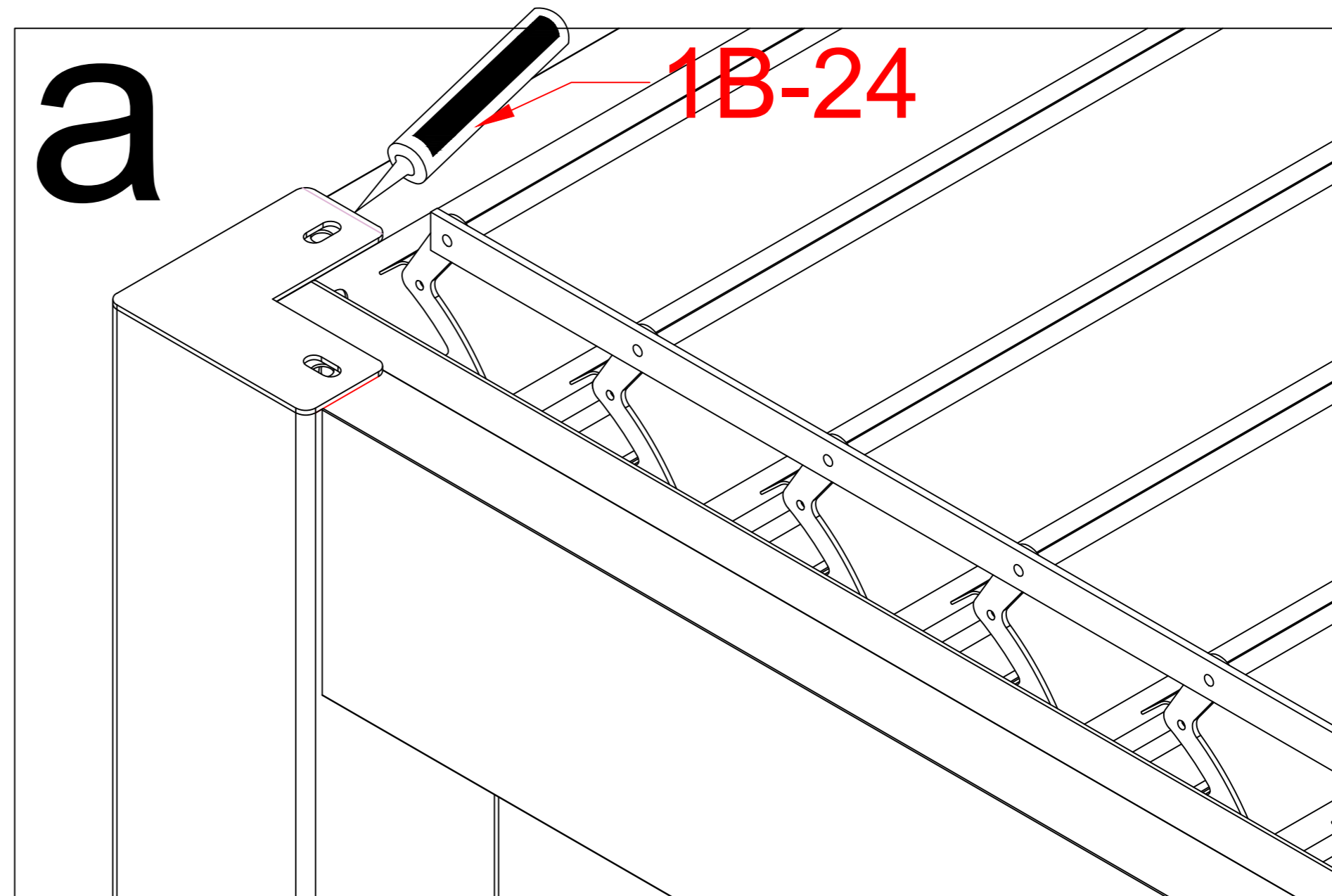
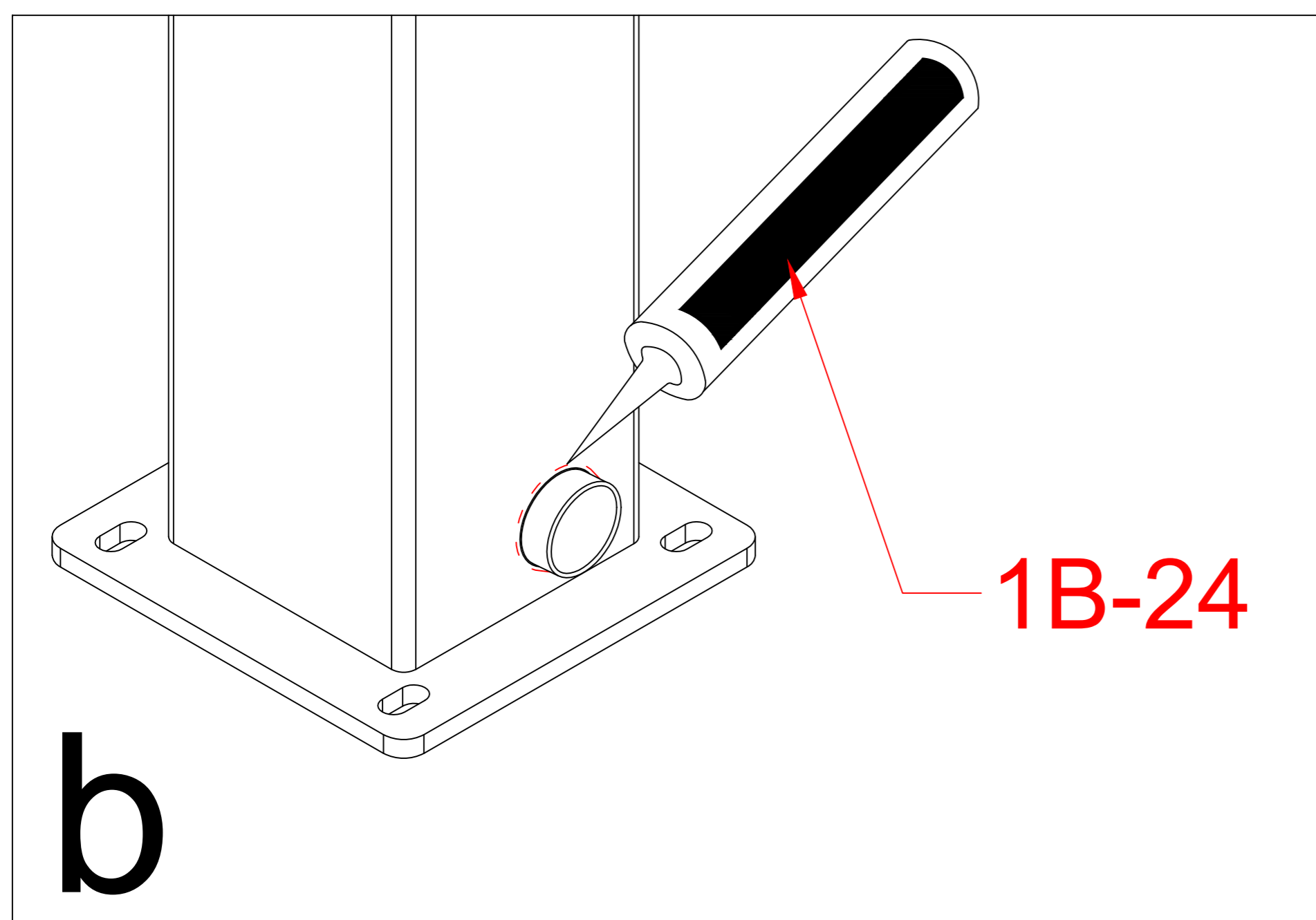
1B-23		10
1B-08		2

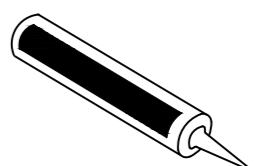


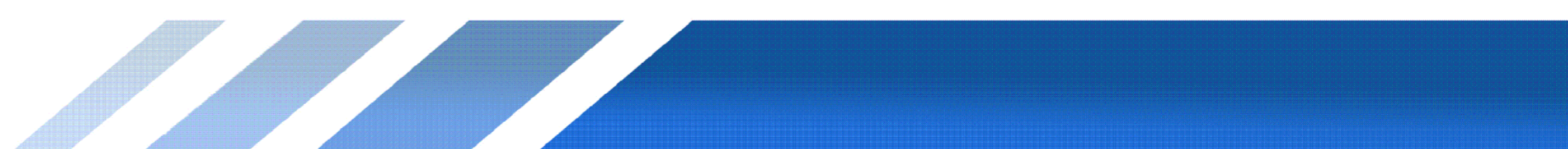


1B-14	 + 	1
1B-16		1

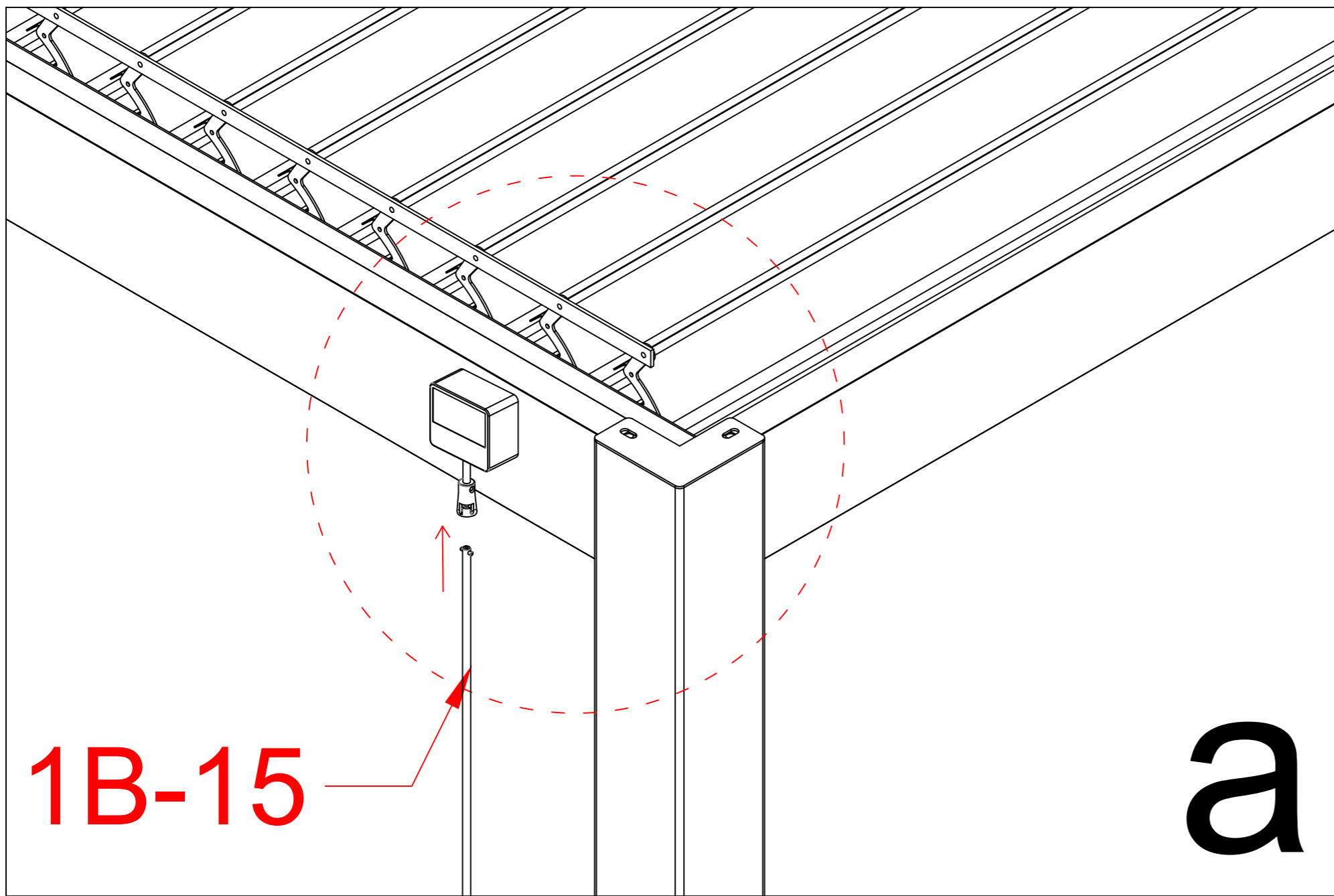




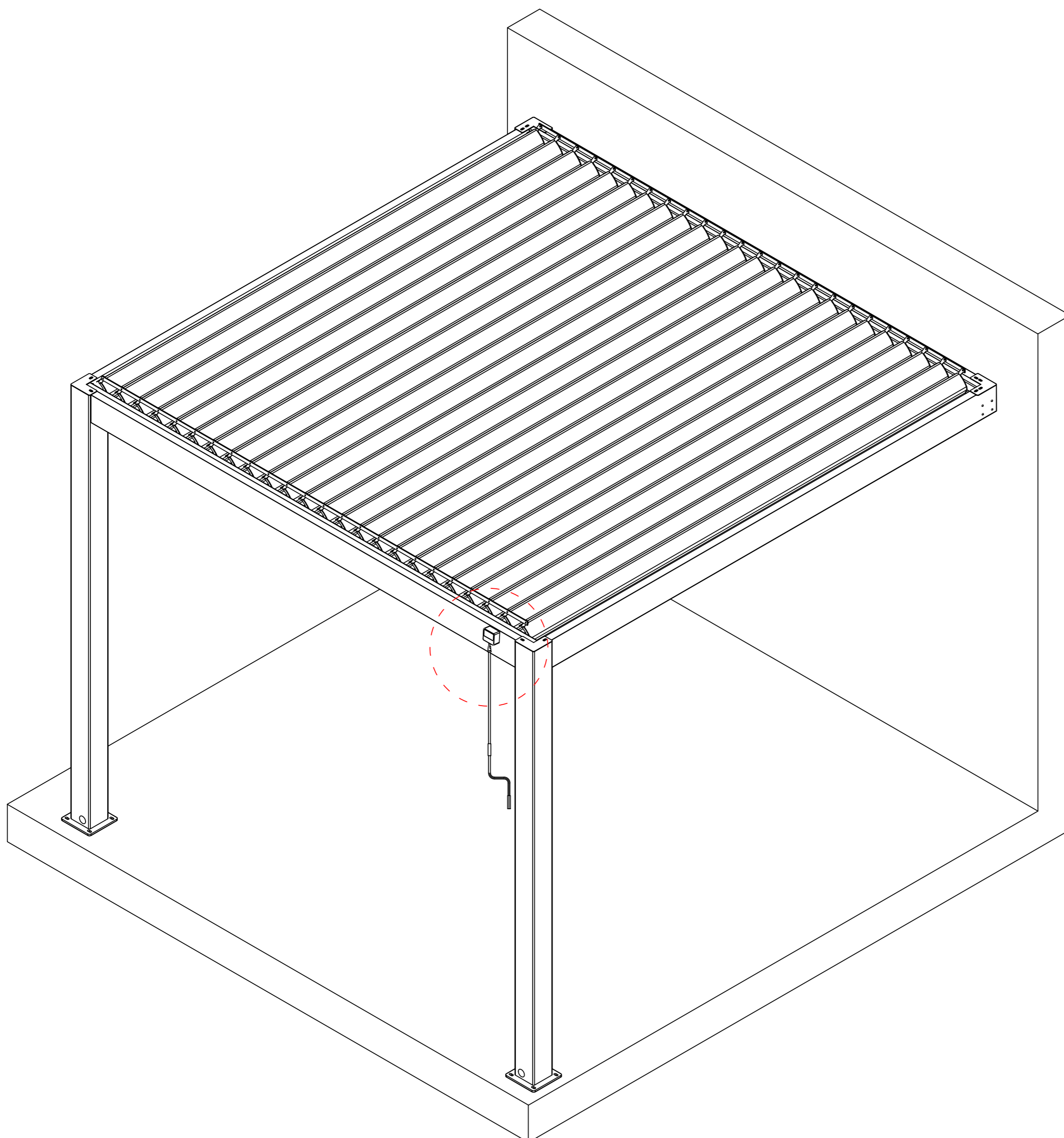
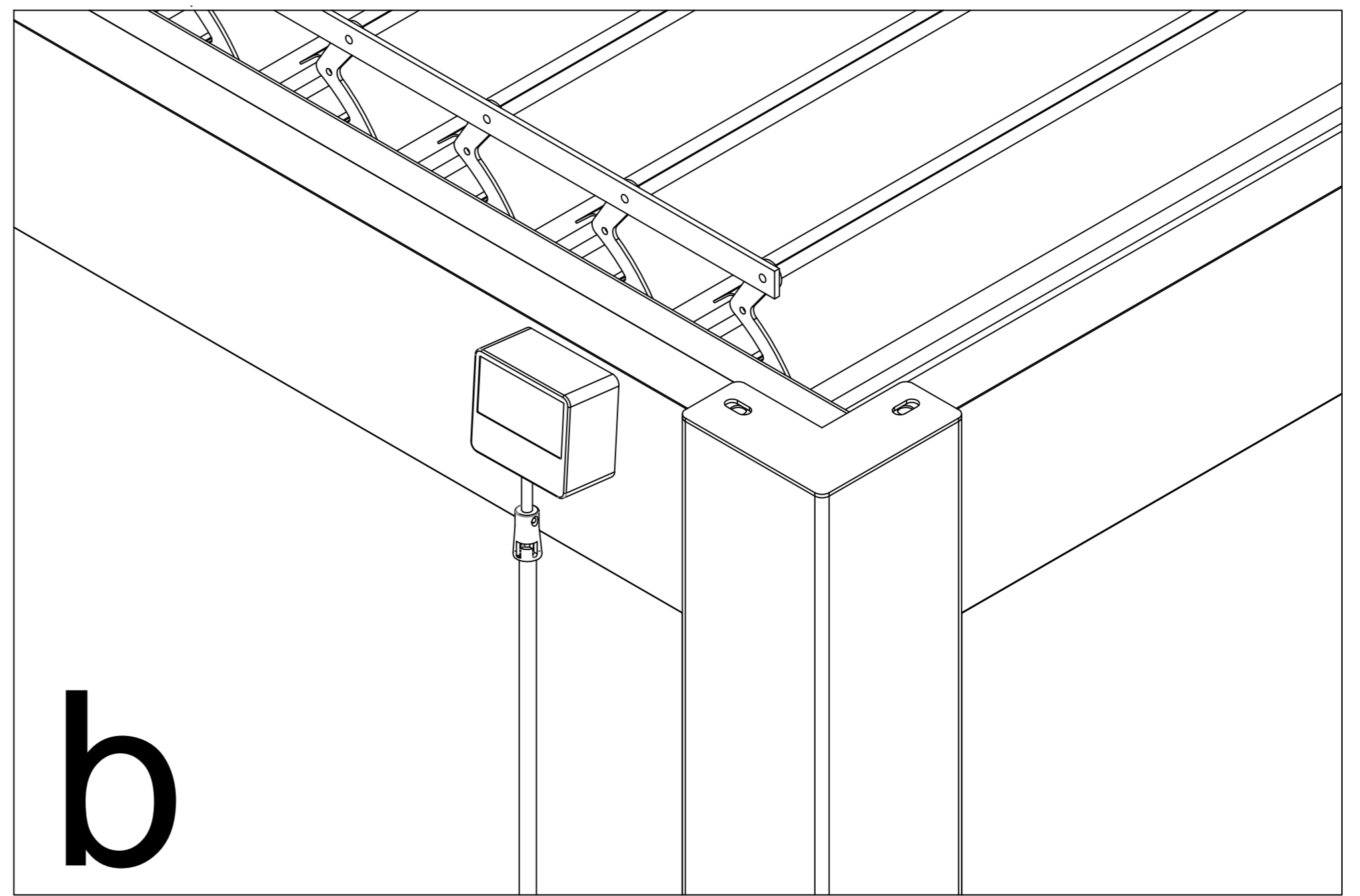
1B-24		1
-------	---	---







**Warning :**  
In Snow / Wind season or in case of  
snow / wind forecast open up your  
shutters in vertical position to avoid  
any damaging on your pergola.



1B-15		1
-------	--	---

