

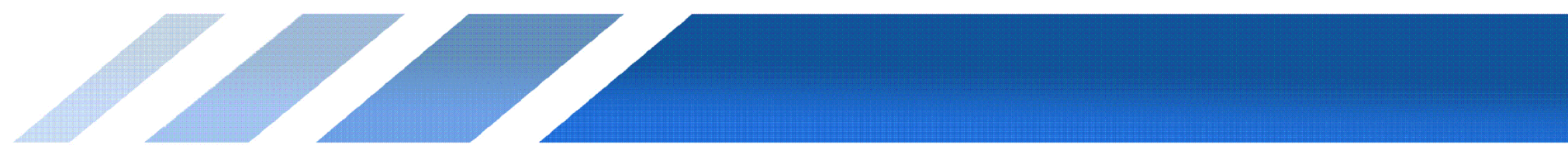
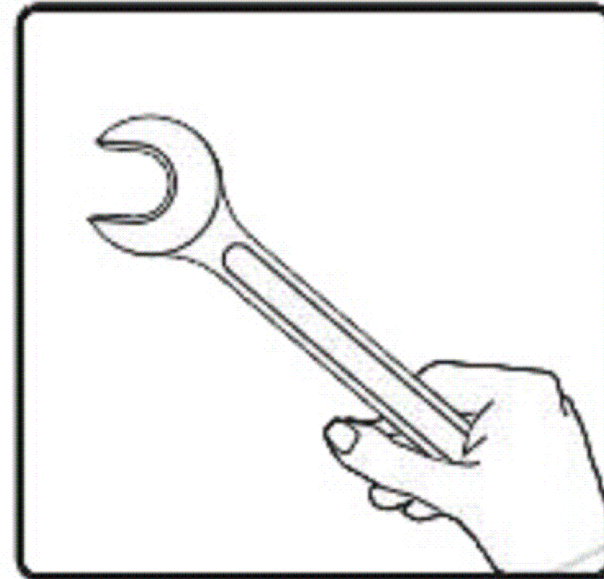
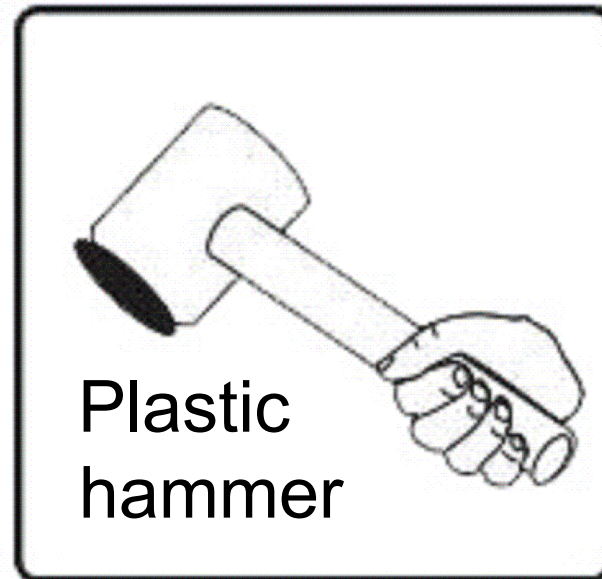
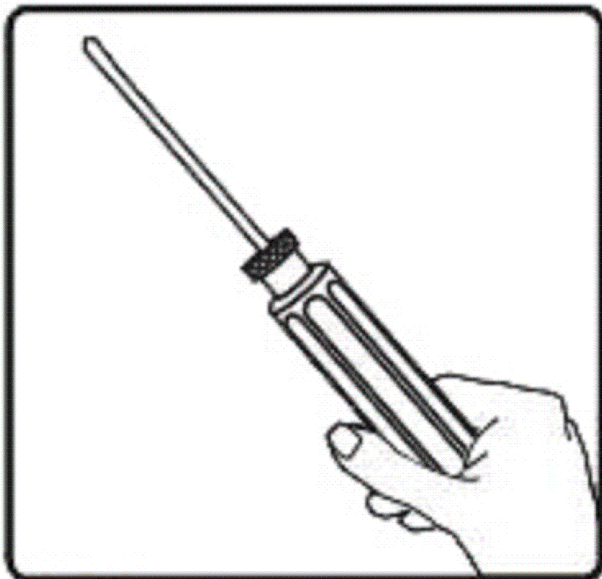
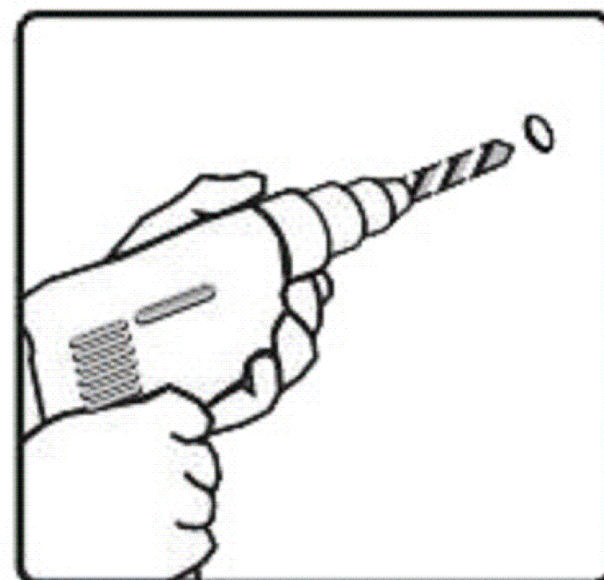
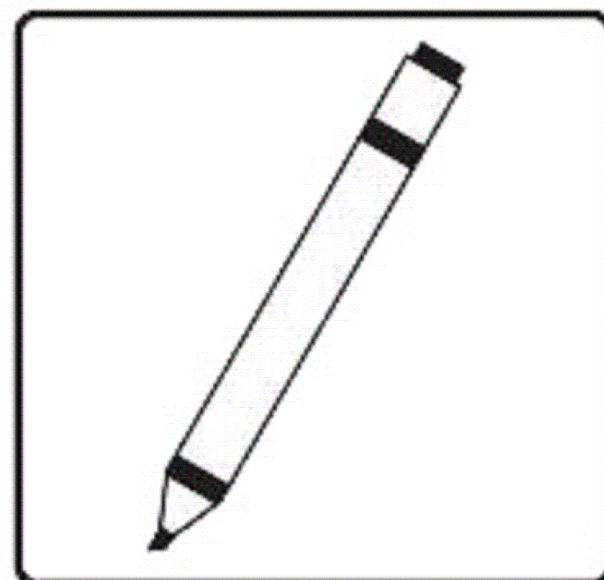
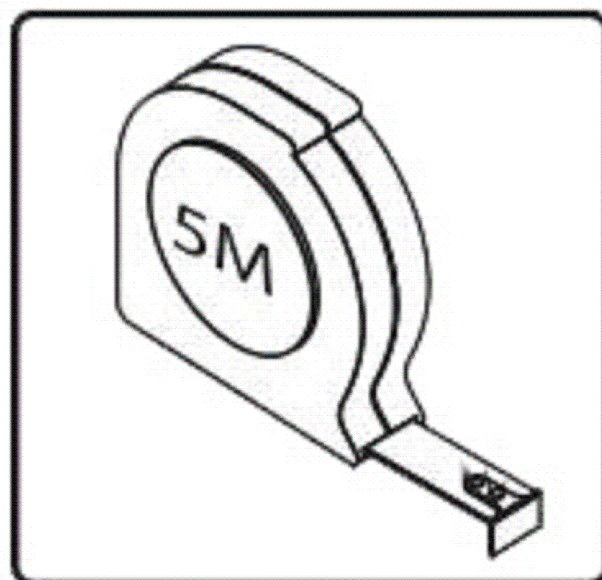
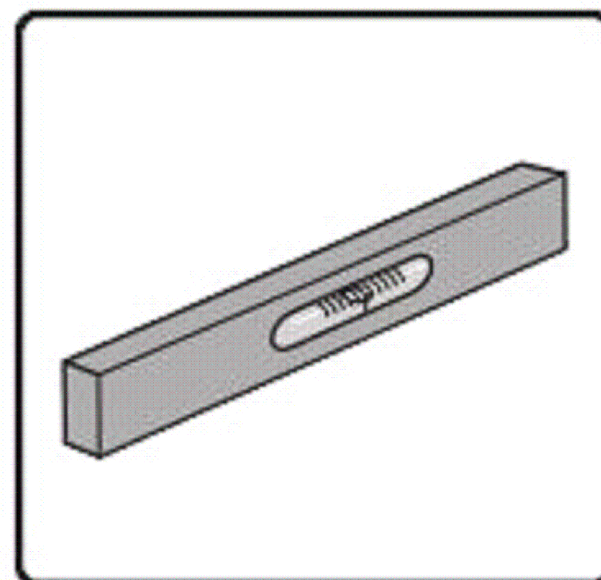
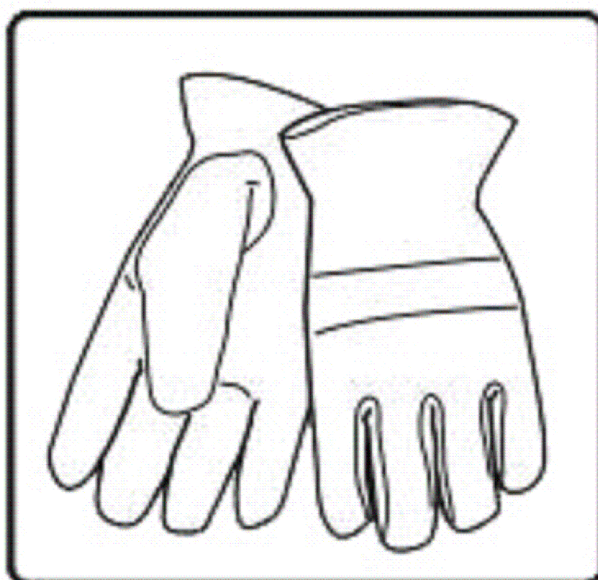
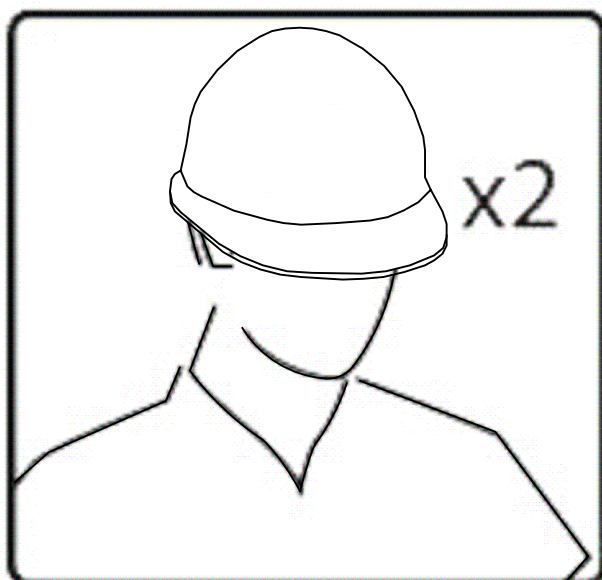
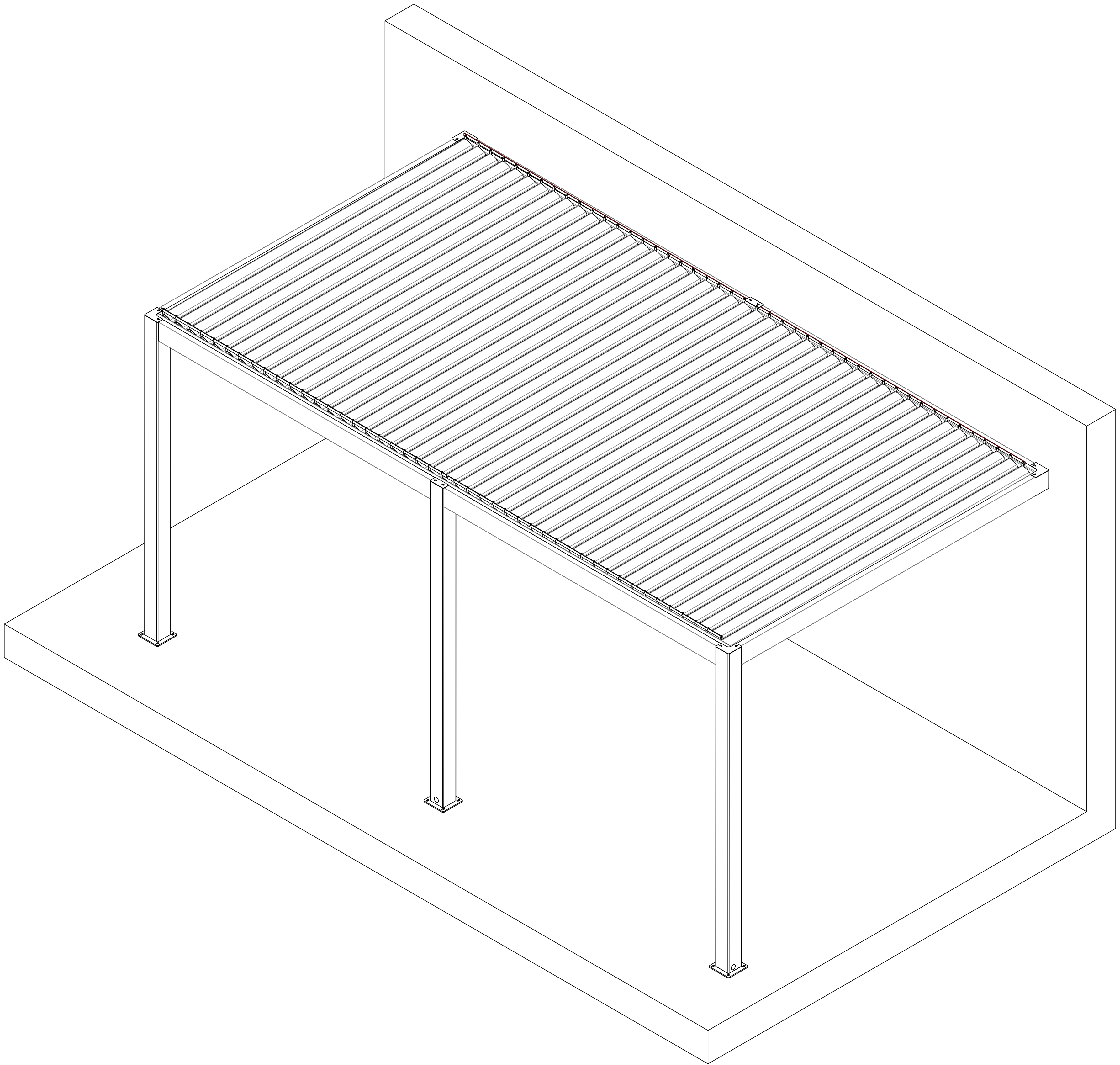


KING WALL MOUNTED PERGOLA 3 POSTS

**3×5m**



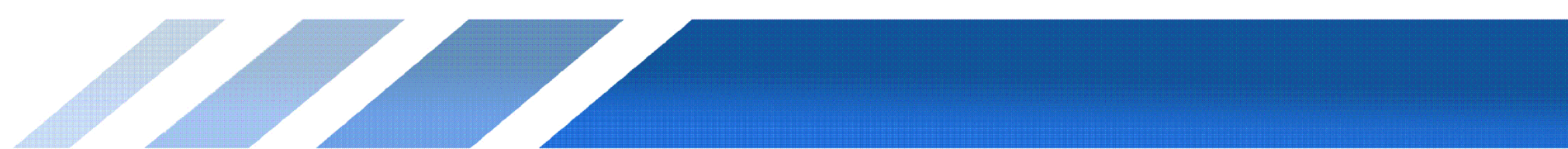






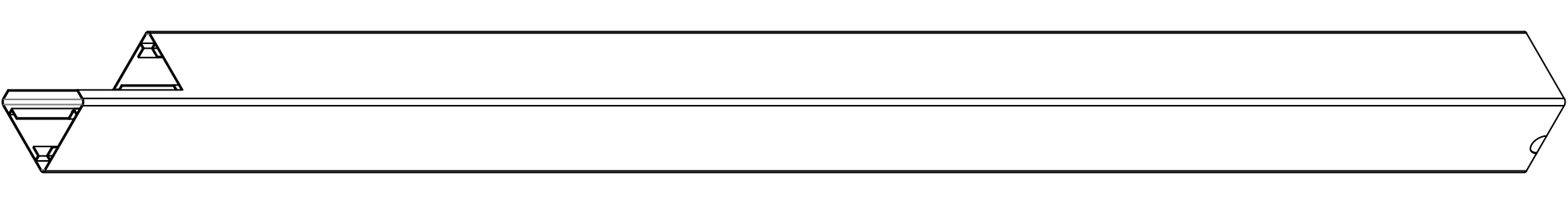
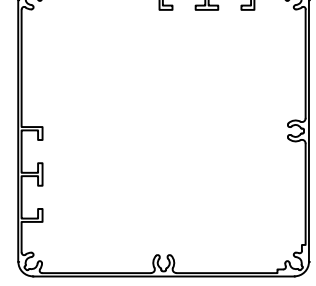
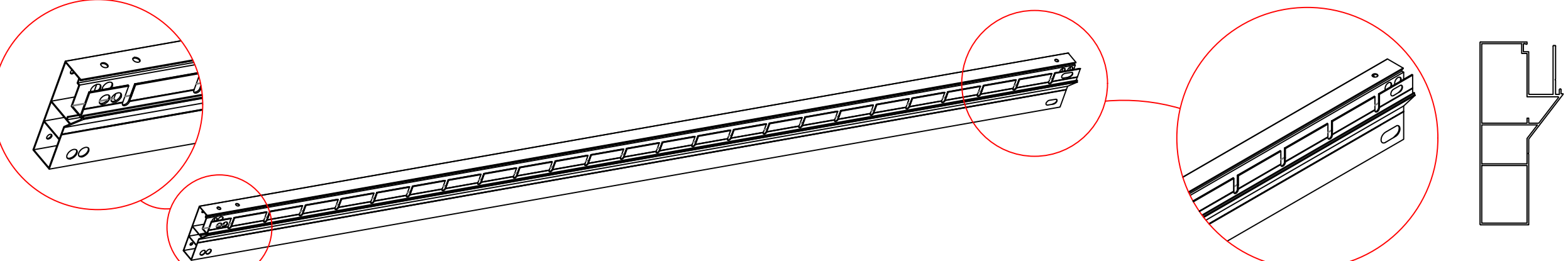
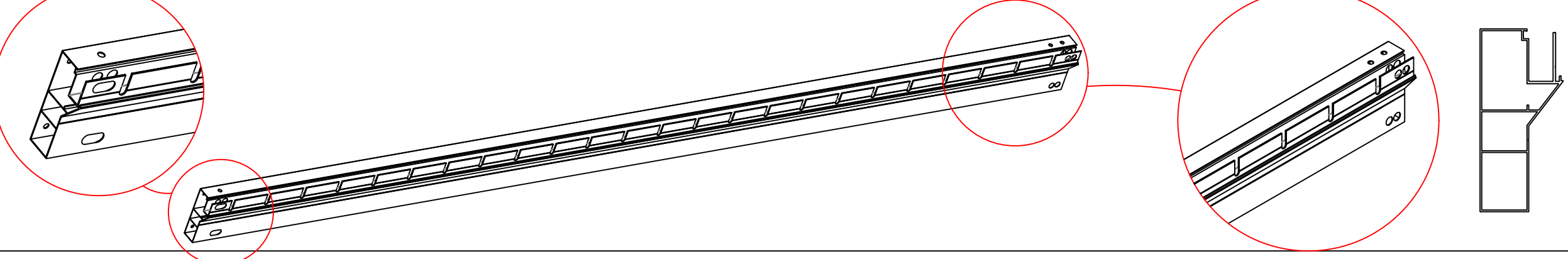
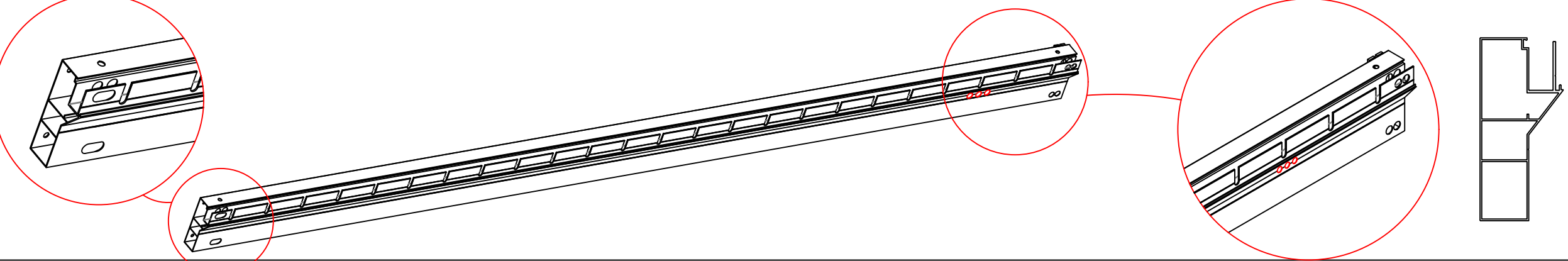
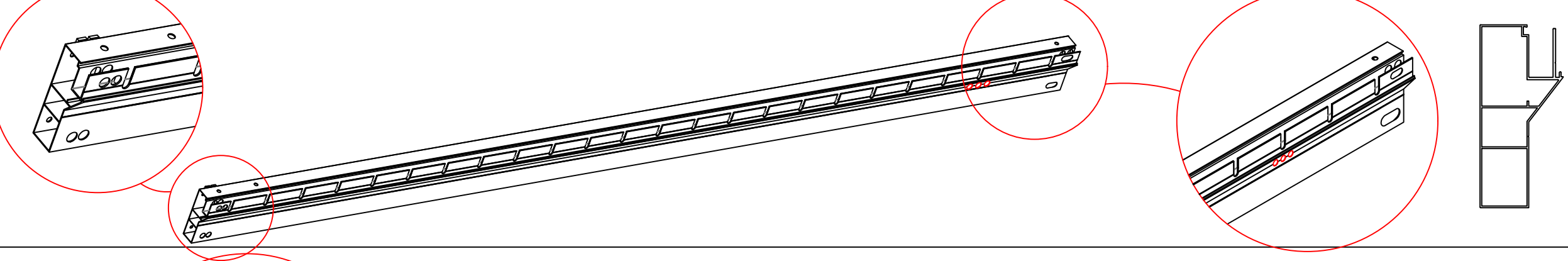
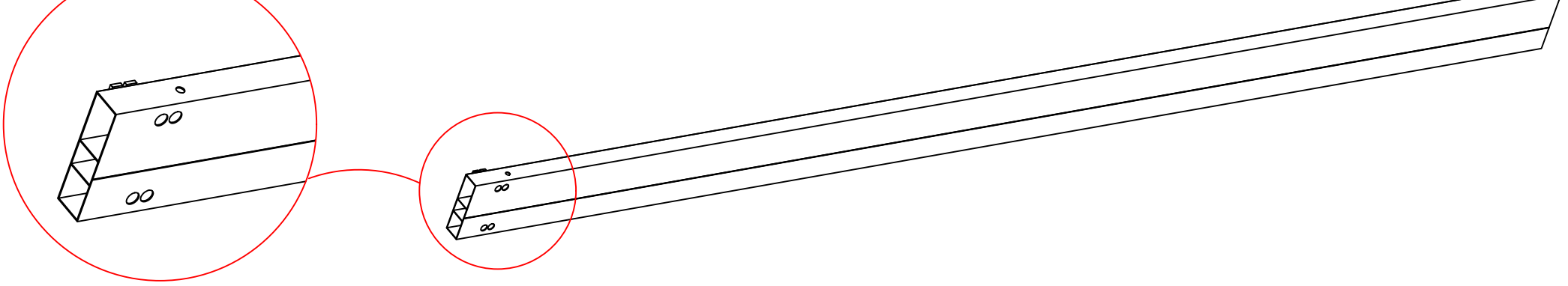
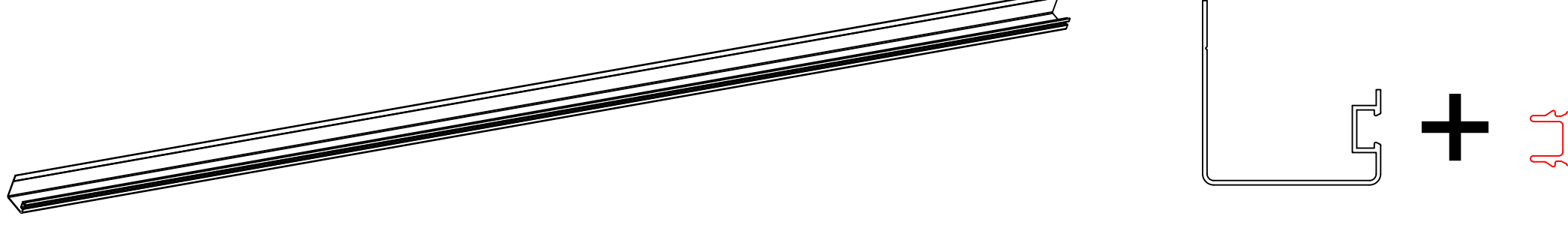
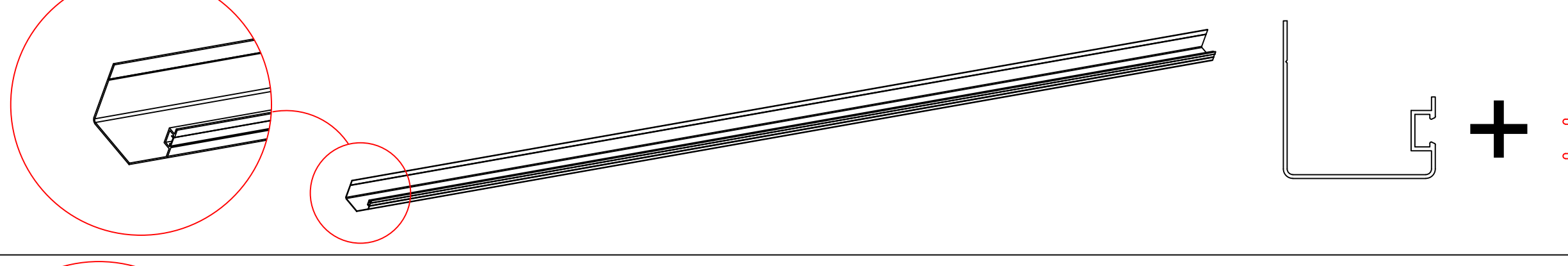
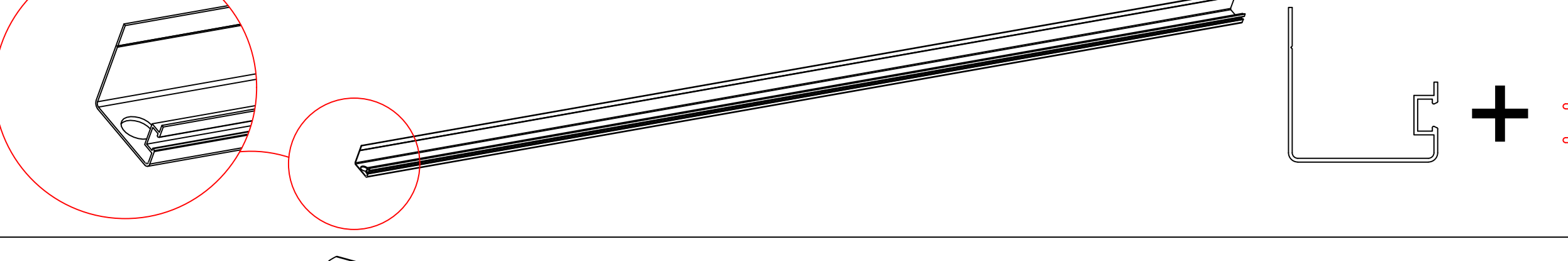
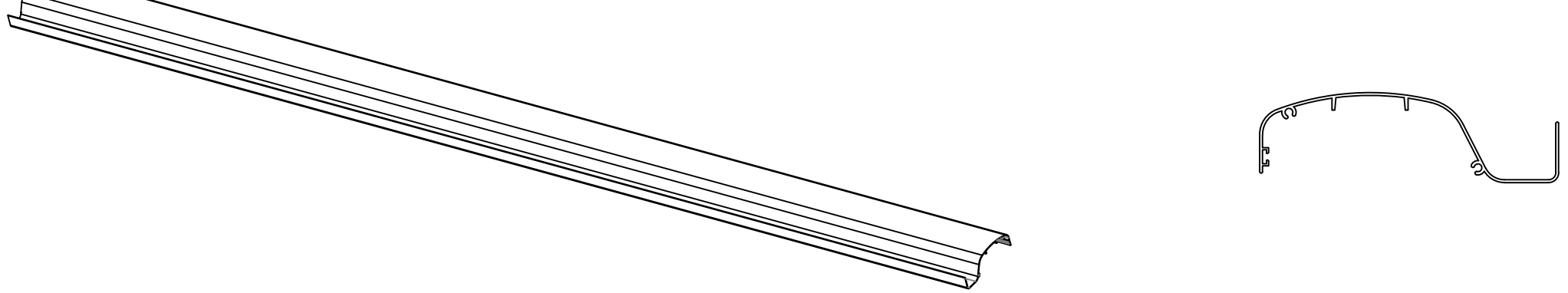


|               | Item   | Qty | Item    | Qty  | Item    | Qty | Item   | Qty |
|---------------|--------|-----|---------|------|---------|-----|--------|-----|
| Carton<br>1/5 | 1B-01  | 2   | 1B-27   | 1    | 1B-11   | 2   | 1B-13  | 2   |
|               | 1B-13B | 1   | 1B-14   | 2    | 1B-15   | 2   | 1B-18  | 1   |
|               | 1B-19  | 22+ | 1B-20   | 84+  | 1B-21   | 12+ | 1B-23  | 44+ |
|               | 1B-24  | 1   | 1B-26/B | 1    | 1B-30   | 2   | 1B-31  | 2   |
|               | 1B-32  | 2   | 1B-33   | 2    | 1B-22   | 18+ | 1B-35  | 2   |
|               | 1B-36  | 16+ | 1B-40   | 2    | 1B-41   | 2   | 1B-42  | 8   |
|               | 1B-45  | 4   | 1B-46   | 4    | 1B-48   | 42+ | 1B-49  | 40+ |
|               | 1B-50  | 2   | 1B-51   | 168+ | 1B-39   | 16+ | 1B-12  | 2   |
|               | 1B-63  | 2   | 1B-64   | 1    |         |     |        |     |
| Carton<br>2/5 | 1B-02  | 1   | 1B-02-2 | 1    | 1B-03-2 | 1   | 1B-03  | 1   |
|               | 1B-08A | 1   | 1B-08B  | 1    | 1B-08C  | 1   | 1B-08D | 1   |
|               | 1B-09  | 4   | 1B-34   | 2    | 1B-29   | 4   |        |     |
| Carton<br>3/5 | 1B-05  | 2   | 1B-05A  | 2    | 1B-05B  | 2   | 1B-04  | 2   |
|               | 1B-06  | 6   |         |      |         |     |        |     |
| Carton<br>4/5 | 1B-06  | 24  |         |      |         |     |        |     |
| Carton<br>5/5 | 1B-06  | 12  |         |      |         |     |        |     |
|               |        |     |         |      |         |     |        |     |





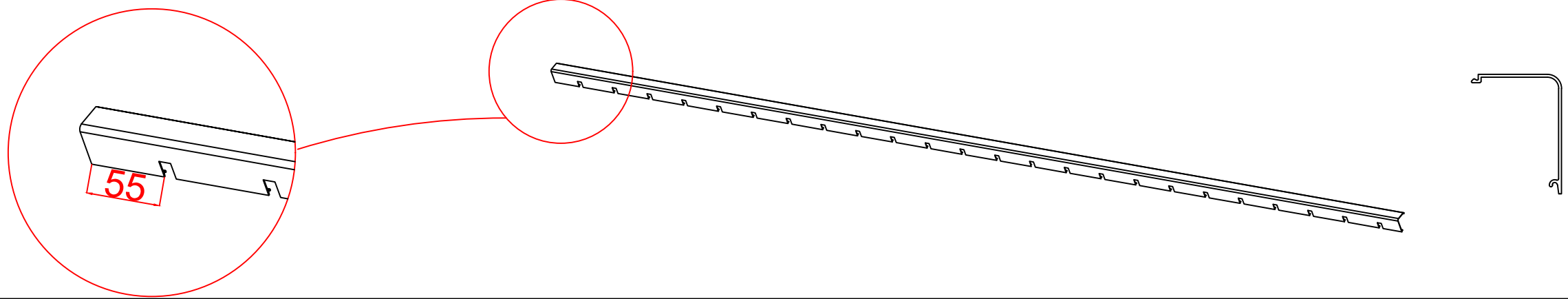
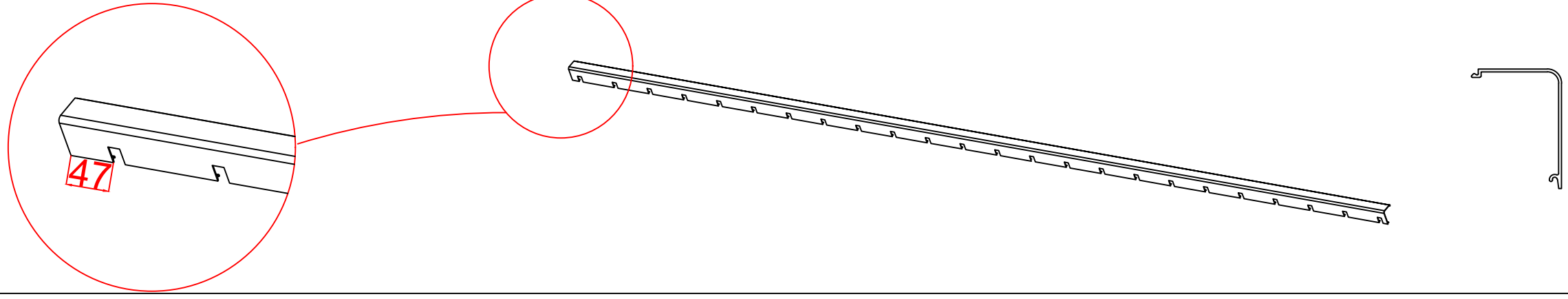
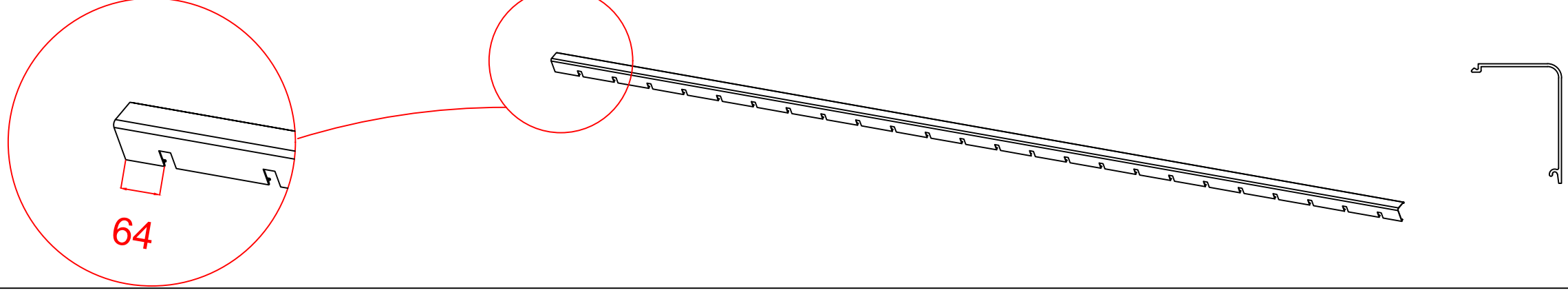
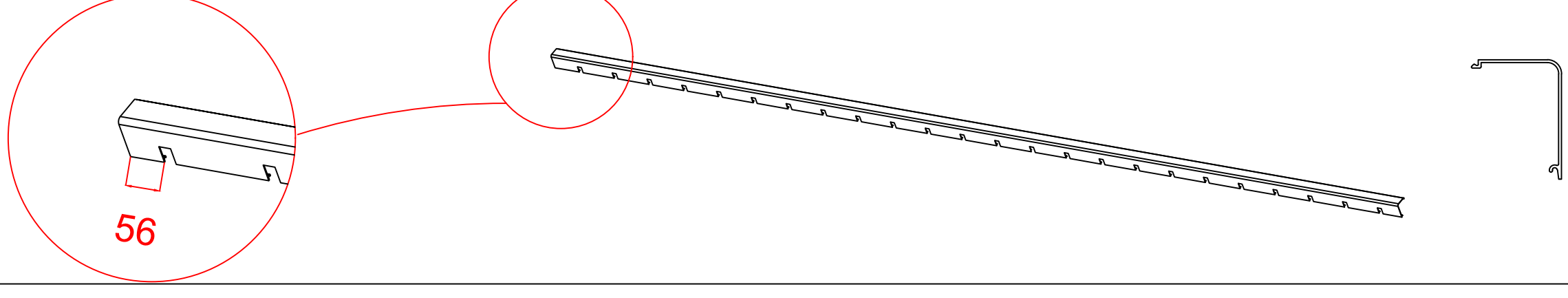
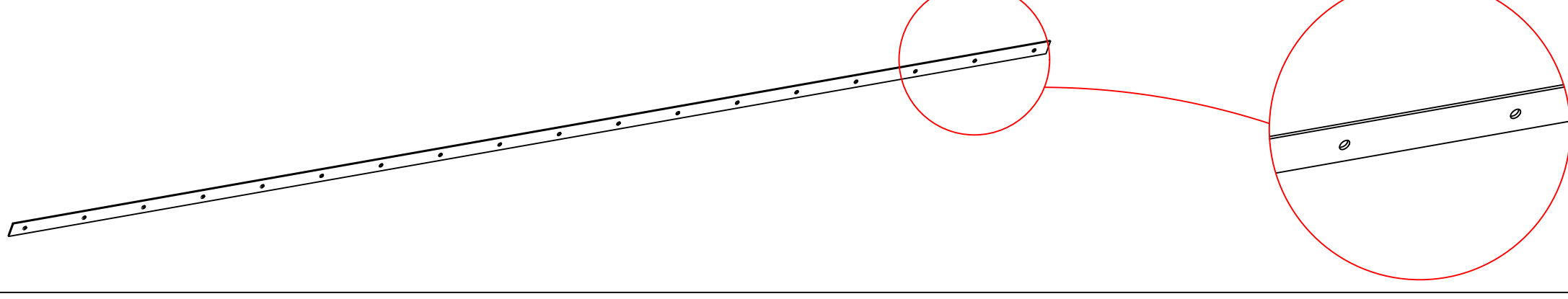
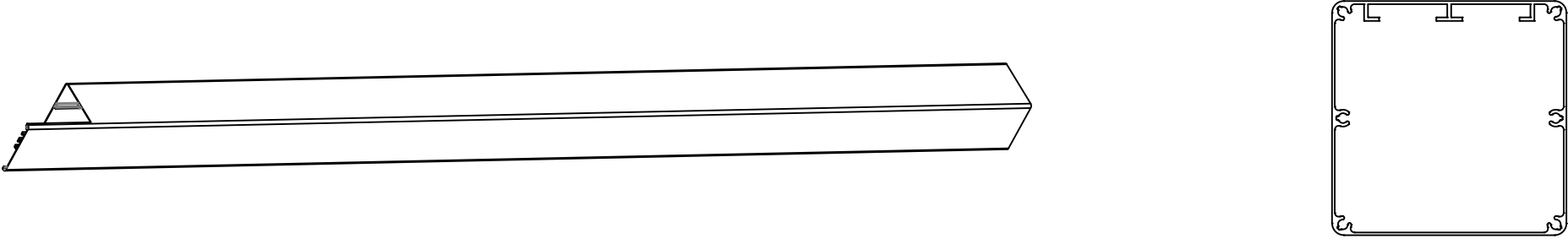
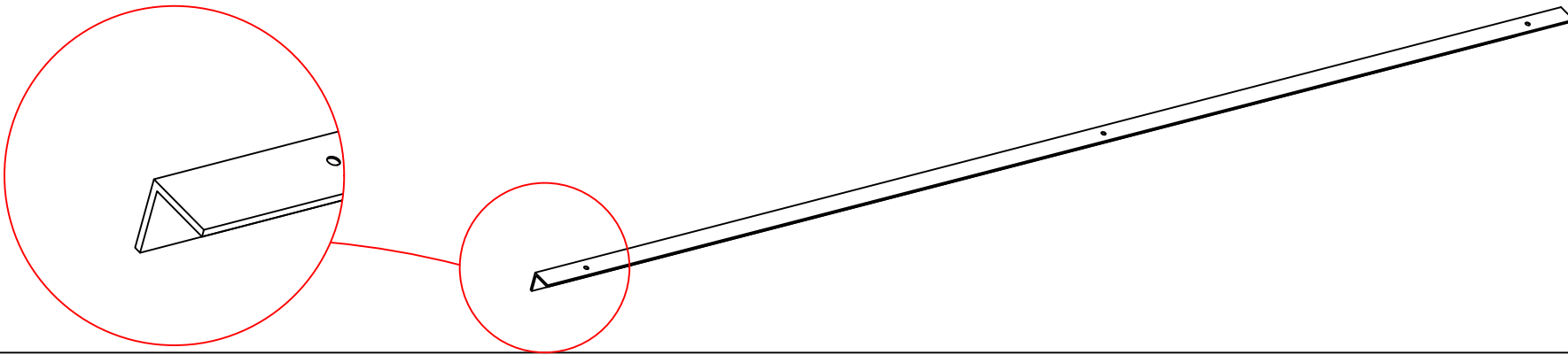
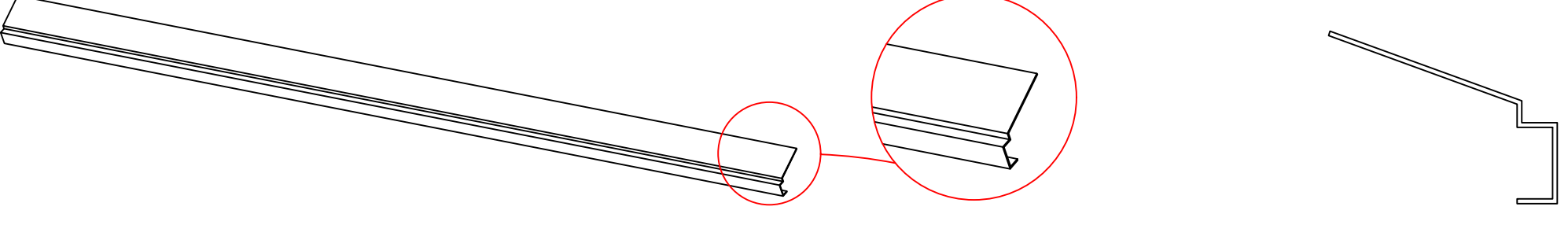


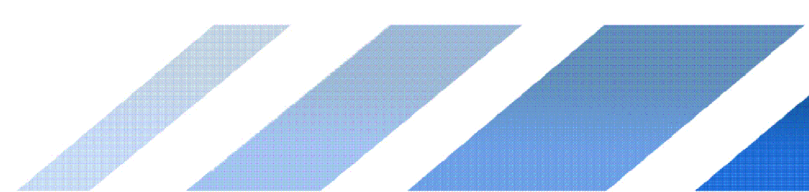
| Item    | Drawings   | Qty |
|---------|--|-----|
| 1B-01   |   | 2   |
| 1B-02   |    | 1   |
| 1B-02-2 |   | 1   |
| 1B-03   |    | 1   |
| 1B-03-2 |    | 1   |
| 1B-04   |    | 2   |
| 1B-05   |    | 2   |
| 1B-05A  |    | 2   |
| 1B-05B  |    | 2   |
| 1B-06   |    | 42  |
|         |  |     |







| Item   | Drawings   | Qty |
|--------|--|-----|
| 1B-08A |    | 1   |
| 1B-08B |    | 1   |
| 1B-08C |   | 1   |
| 1B-08D |  | 1   |
| 1B-09  |  | 4   |
| 1B-27  |  | 1   |
| 1B-34  |  | 2   |
| 1B-29  |  | 4   |
|        |  |     |
|        |  |     |

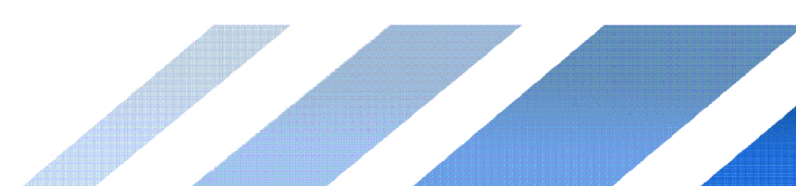




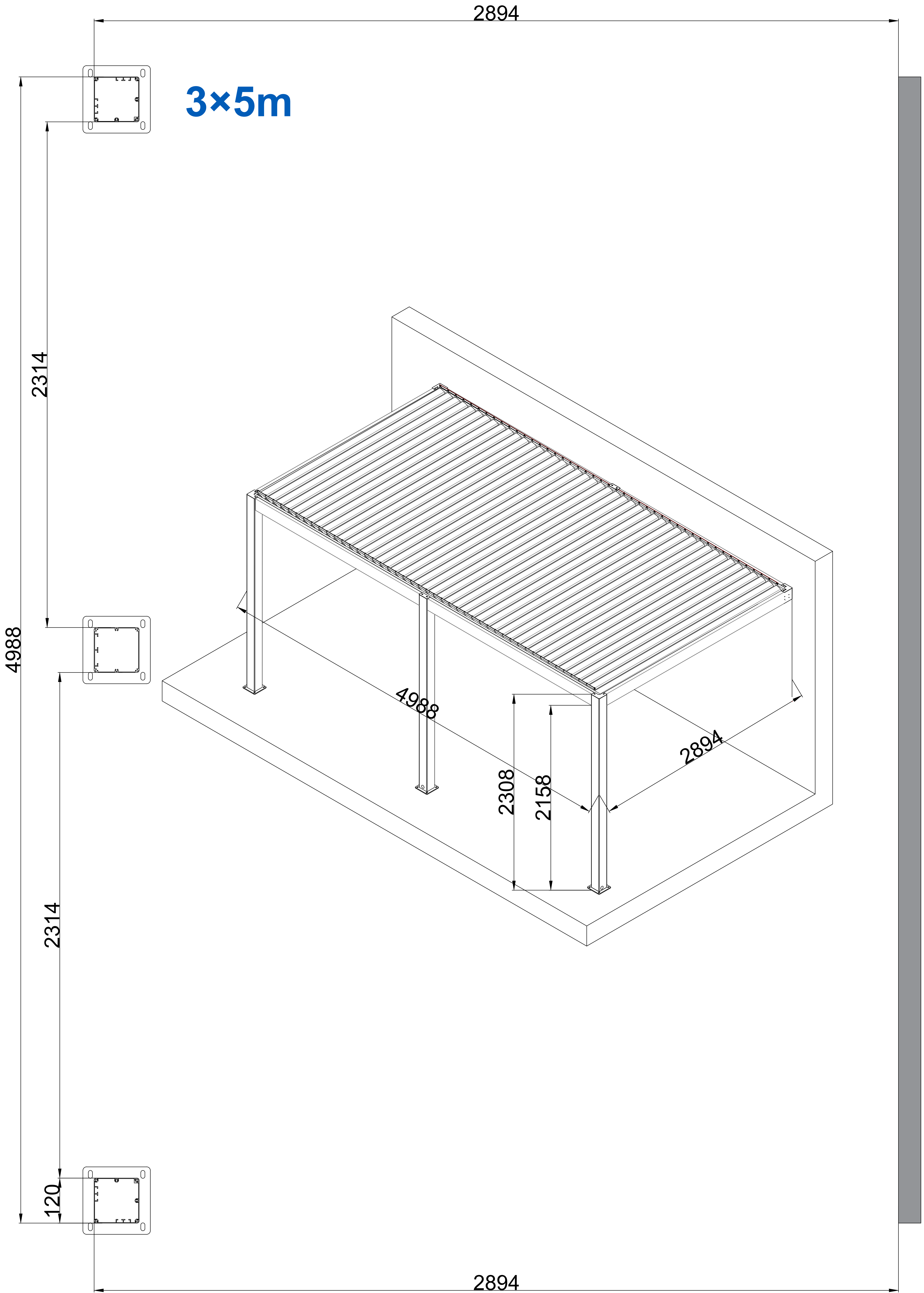


| Item   | Drawings | Qty |
|--------|----------|-----|
| 1B-11  |          | 2   |
| 1B-12  |          | 2   |
| 1B-13  |          | 2   |
| 1B-13B |          | 1   |
| 1B-14  |          | 2   |
| 1B-15  |          | 2   |
| 1B-18  |          | 1   |
| 1B-19  |          | 22+ |
| 1B-20  |          | 84+ |
| 1B-21  |          | 12+ |
| 1B-23  |          | 44+ |
| 1B-24  |          | 1   |
| 1B-26  |          | 1   |
| 1B-26B |          | 1   |
| 1B-32  |          | 2   |
| 1B-33  |          | 2   |
| 1B-22  |          | 18+ |

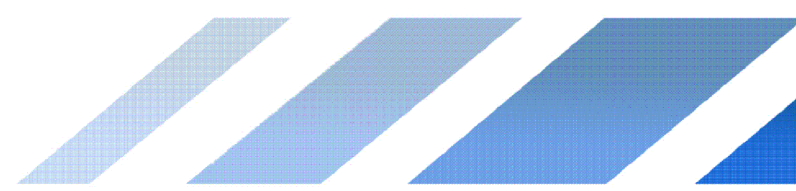
| Item  | Drawings | Qty  |
|-------|----------|------|
| 1B-30 |          | 2    |
| 1B-31 |          | 2    |
| 1B-35 |          | 2    |
| 1B-36 |          | 16+  |
| 1B-40 |          | 2    |
| 1B-41 |          | 2    |
| 1B-42 |          | 8    |
| 1B-45 |          | 4    |
| 1B-46 |          | 4    |
| 1B-48 |          | 40+  |
| 1B-49 |          | 42+  |
| 1B-50 |          | 2    |
| 1B-51 |          | 168+ |
| 1B-64 |          | 1    |
| 1B-39 |          | 16+  |
| 1B-63 |          | 2    |
| 1B-38 |          | 8    |







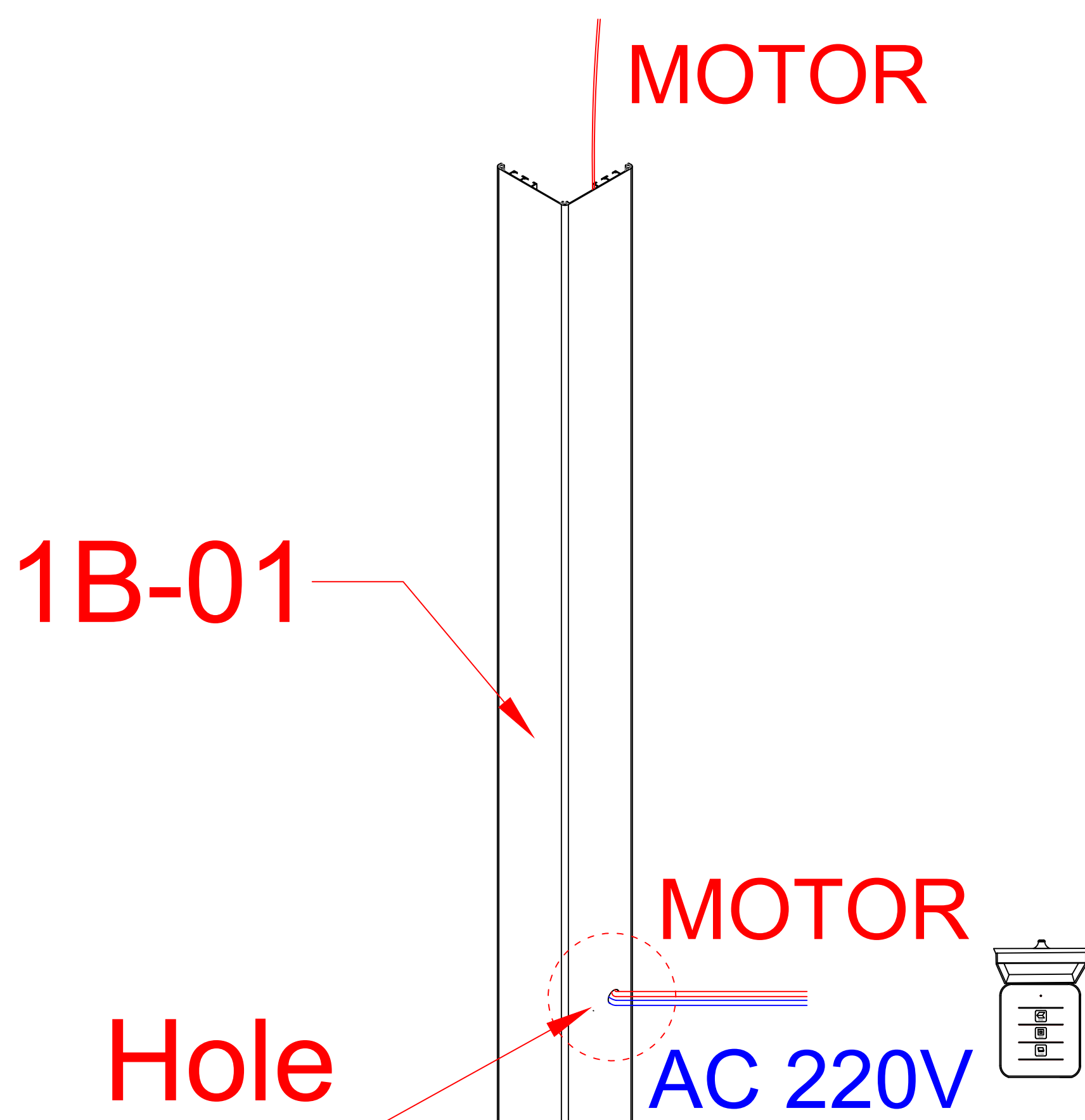
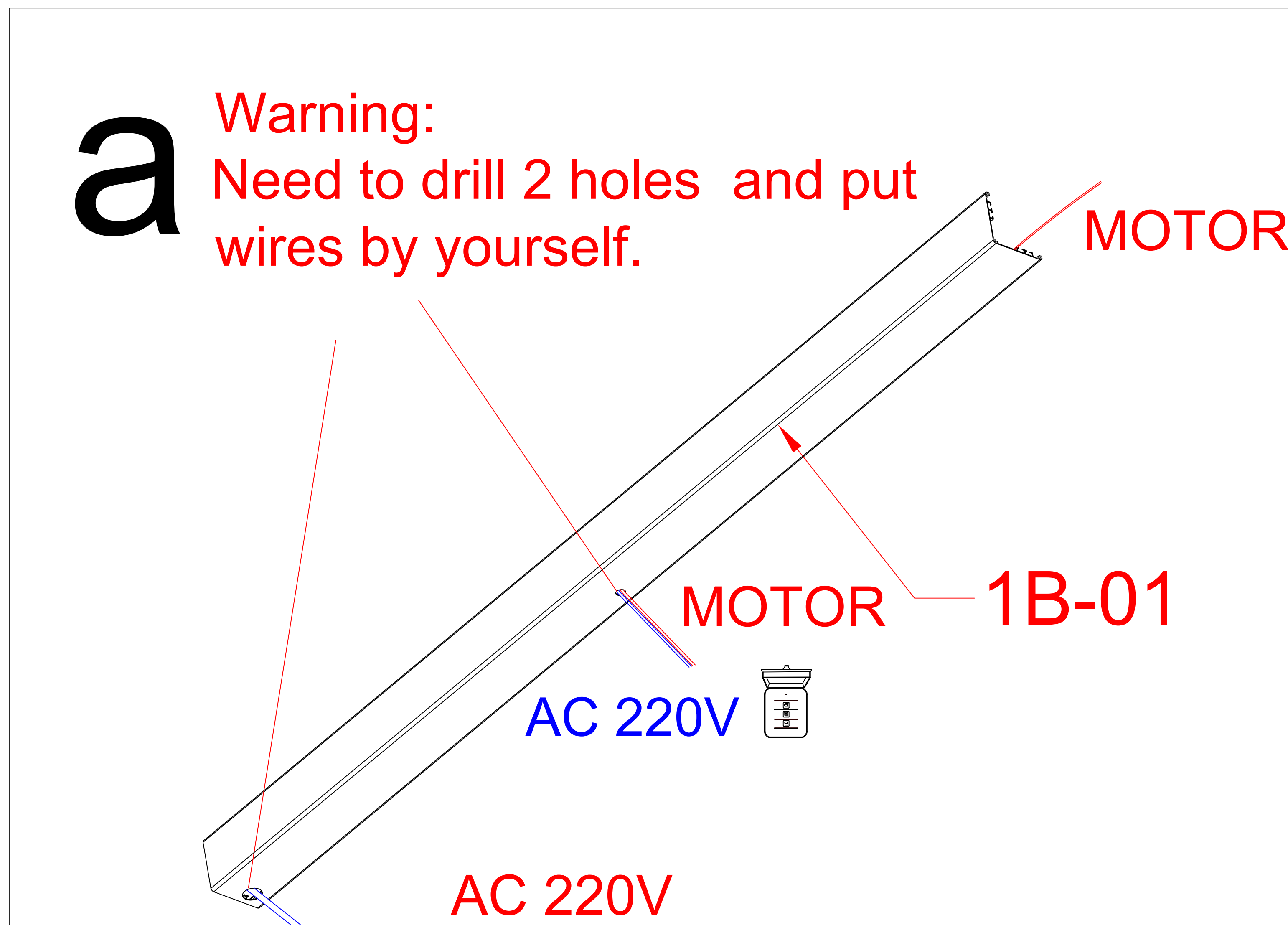
3\*5-5



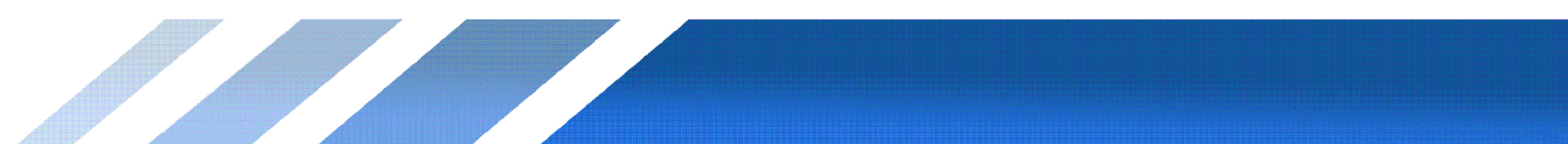
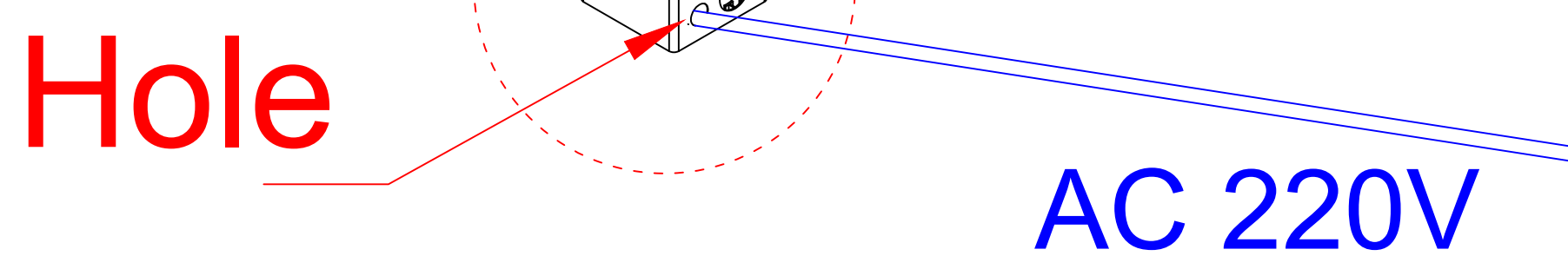




# Motor Wires Diagram - The control box is on the post



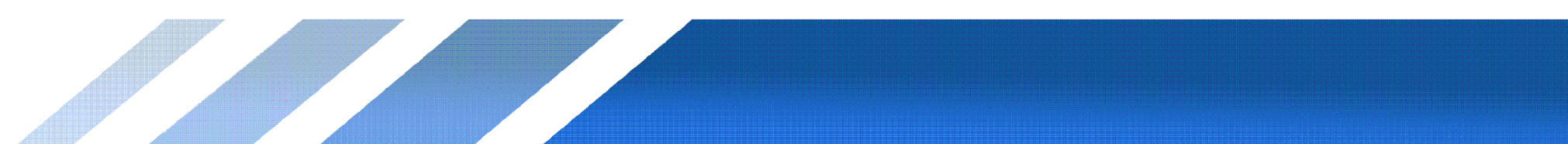
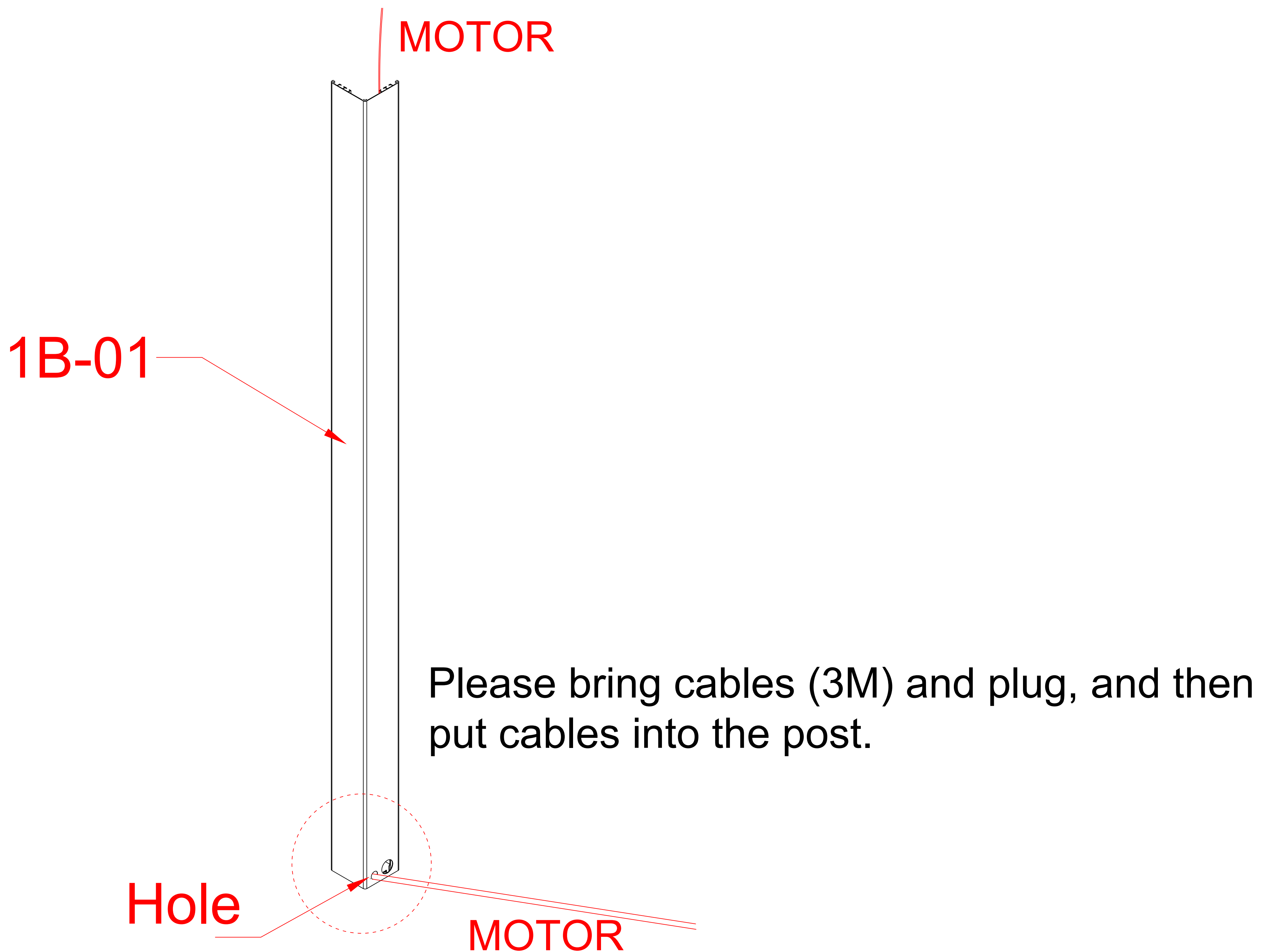
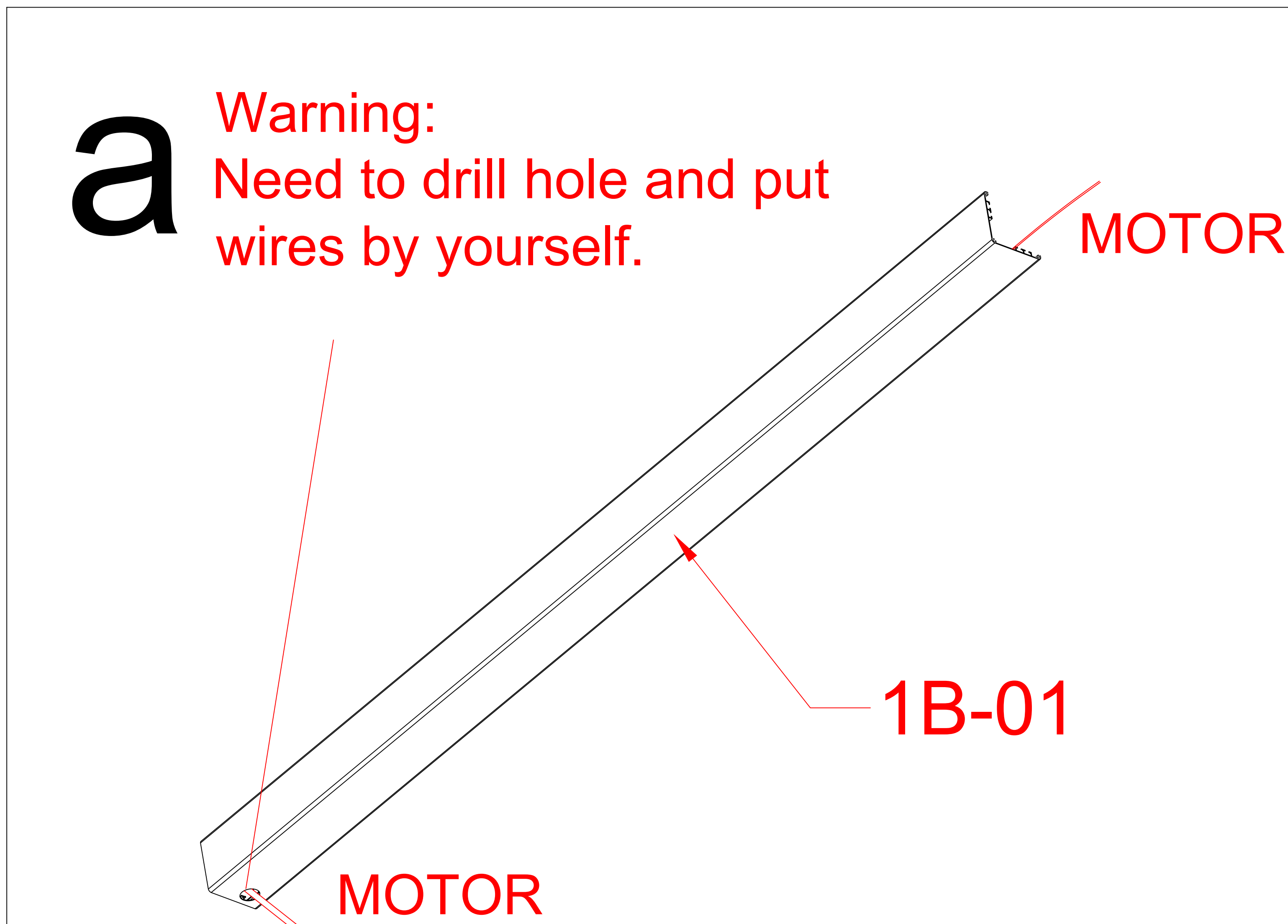
Please bring cables (1.5M), power cords (1.5M) and plug, and then put cables and power cords into the post.



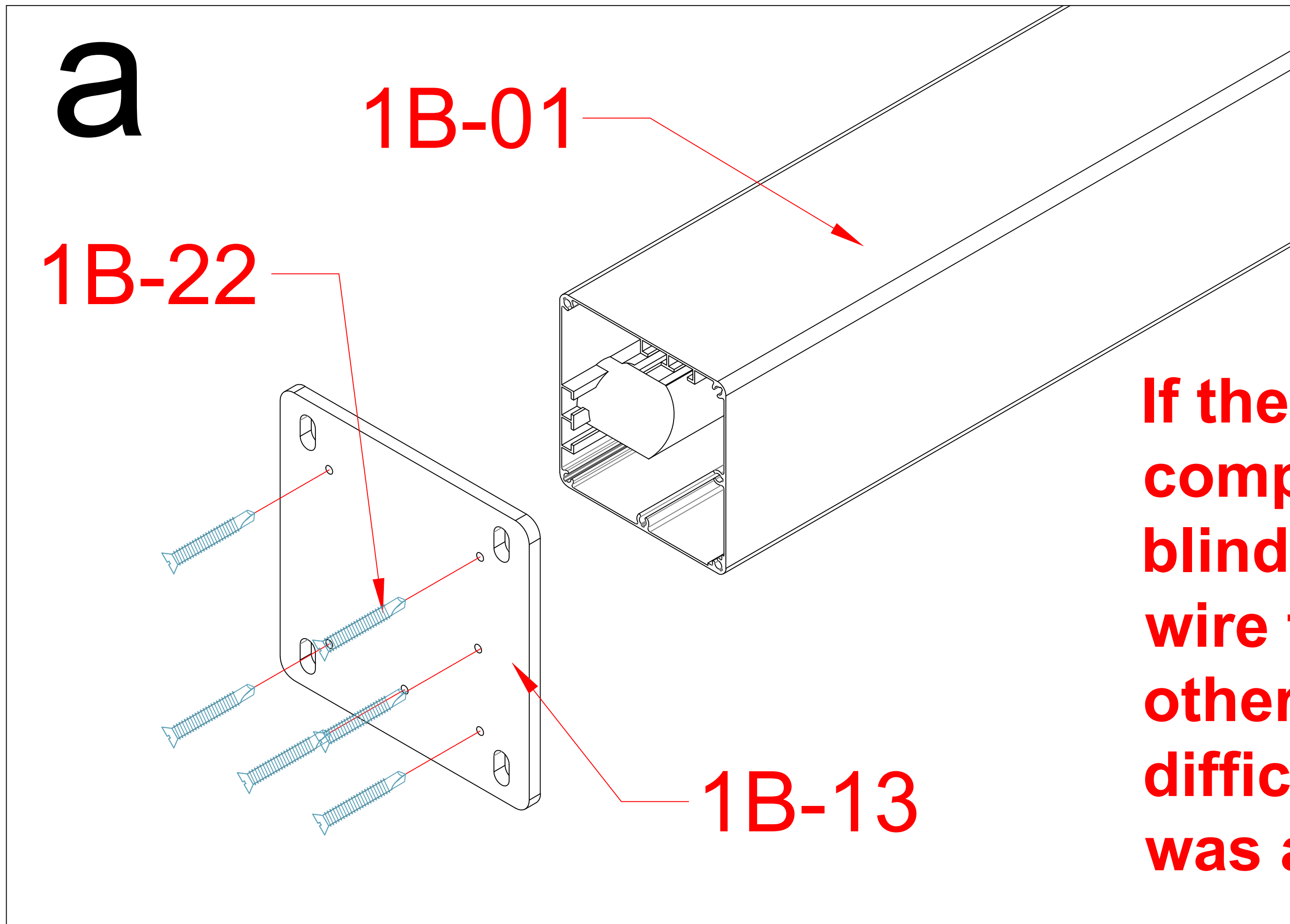




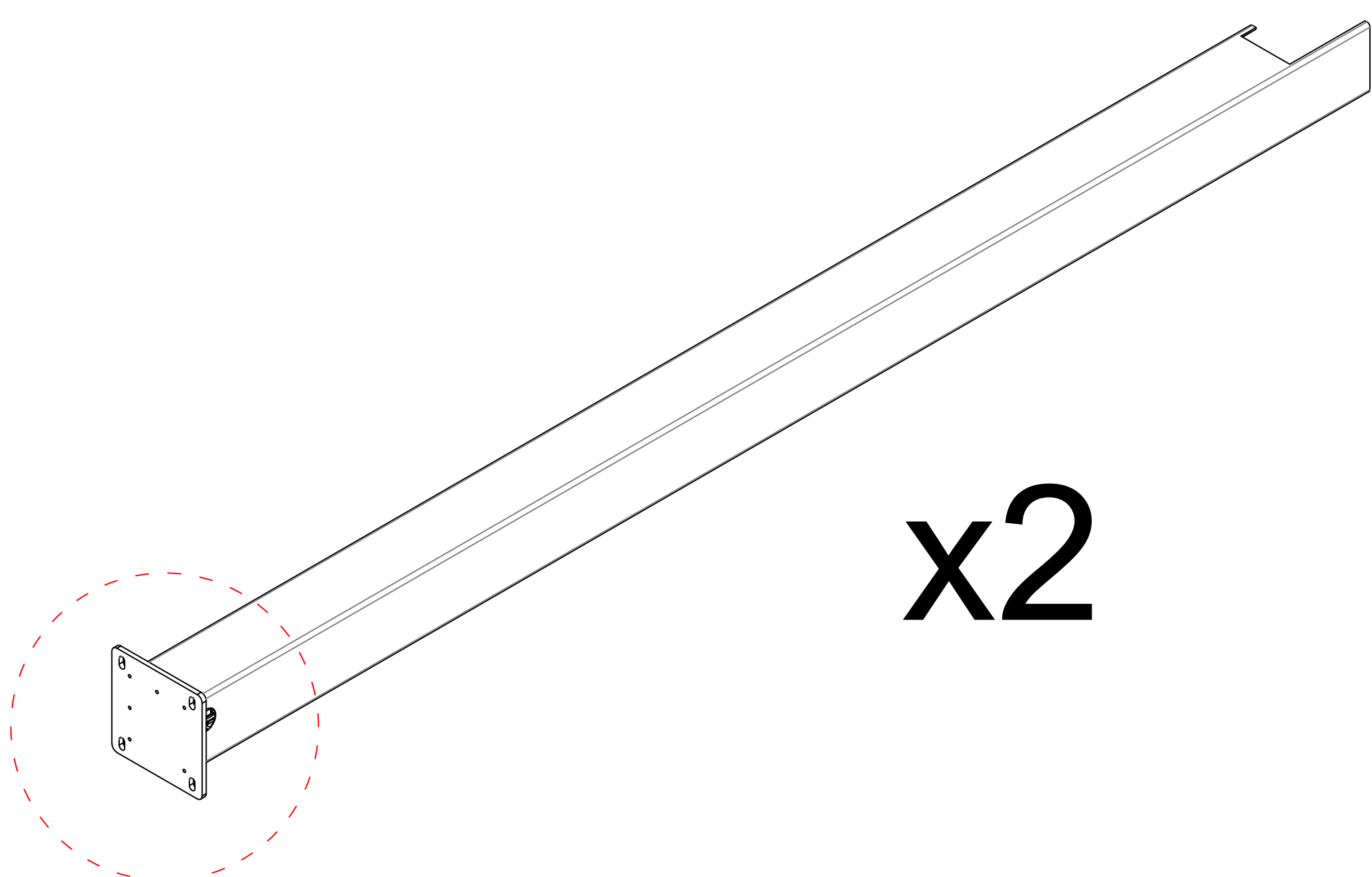
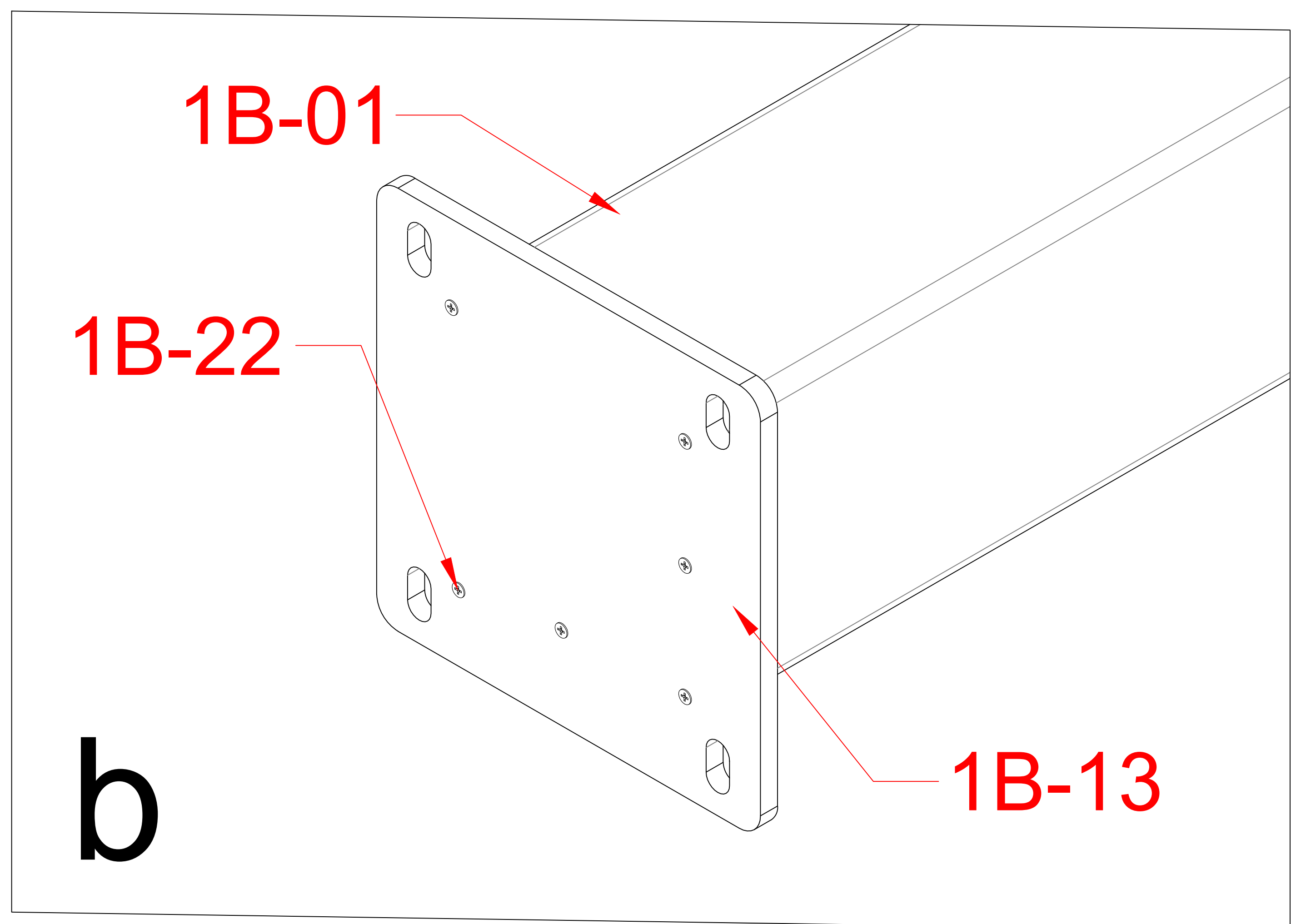
# Motor Wires Diagram - The control box is not on the post

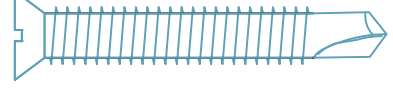
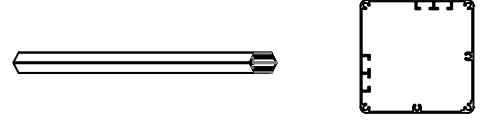
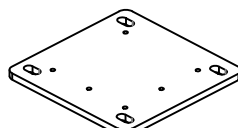


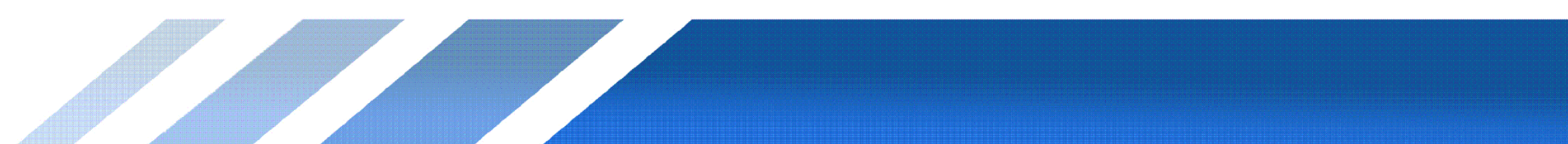




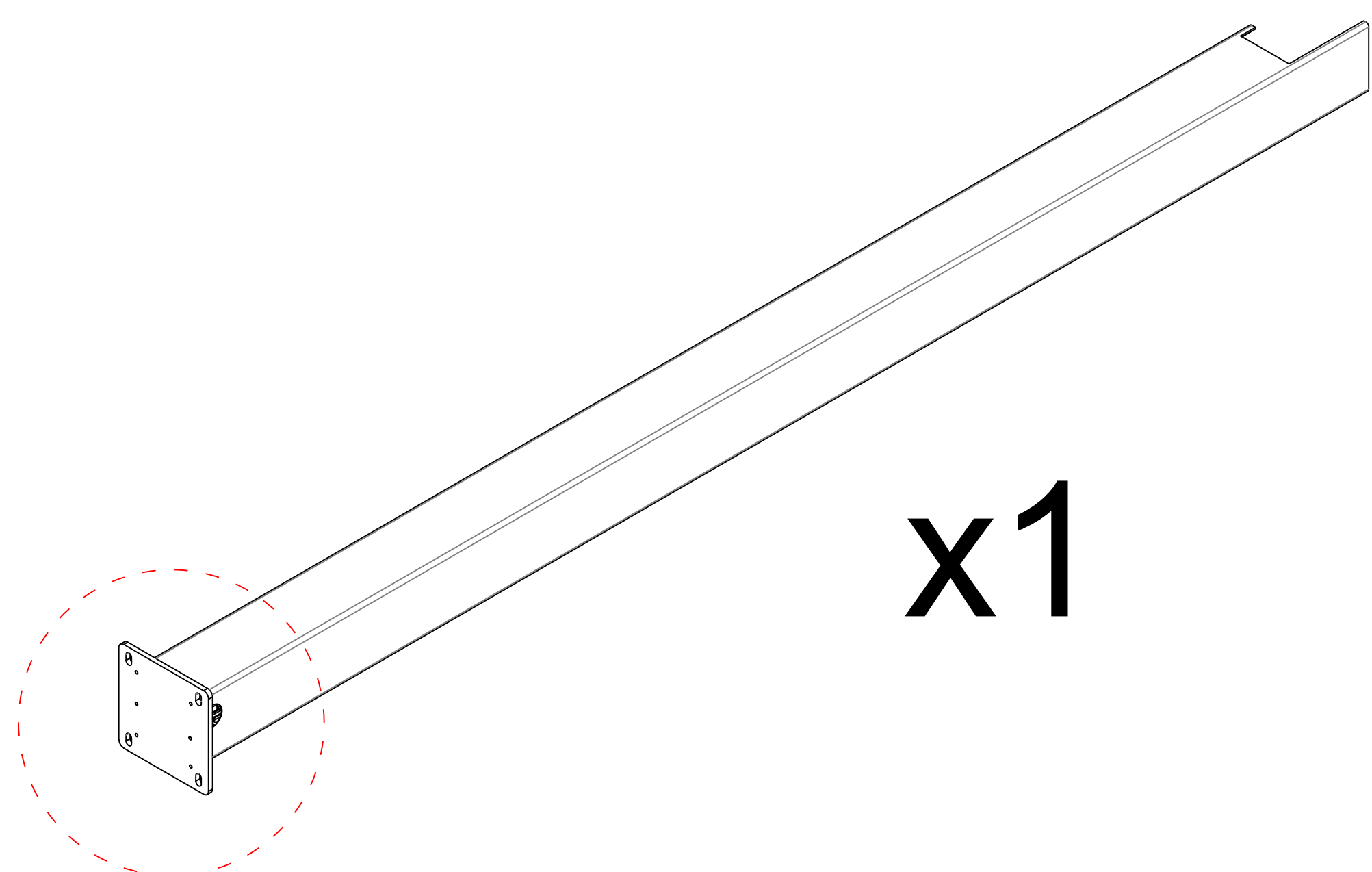
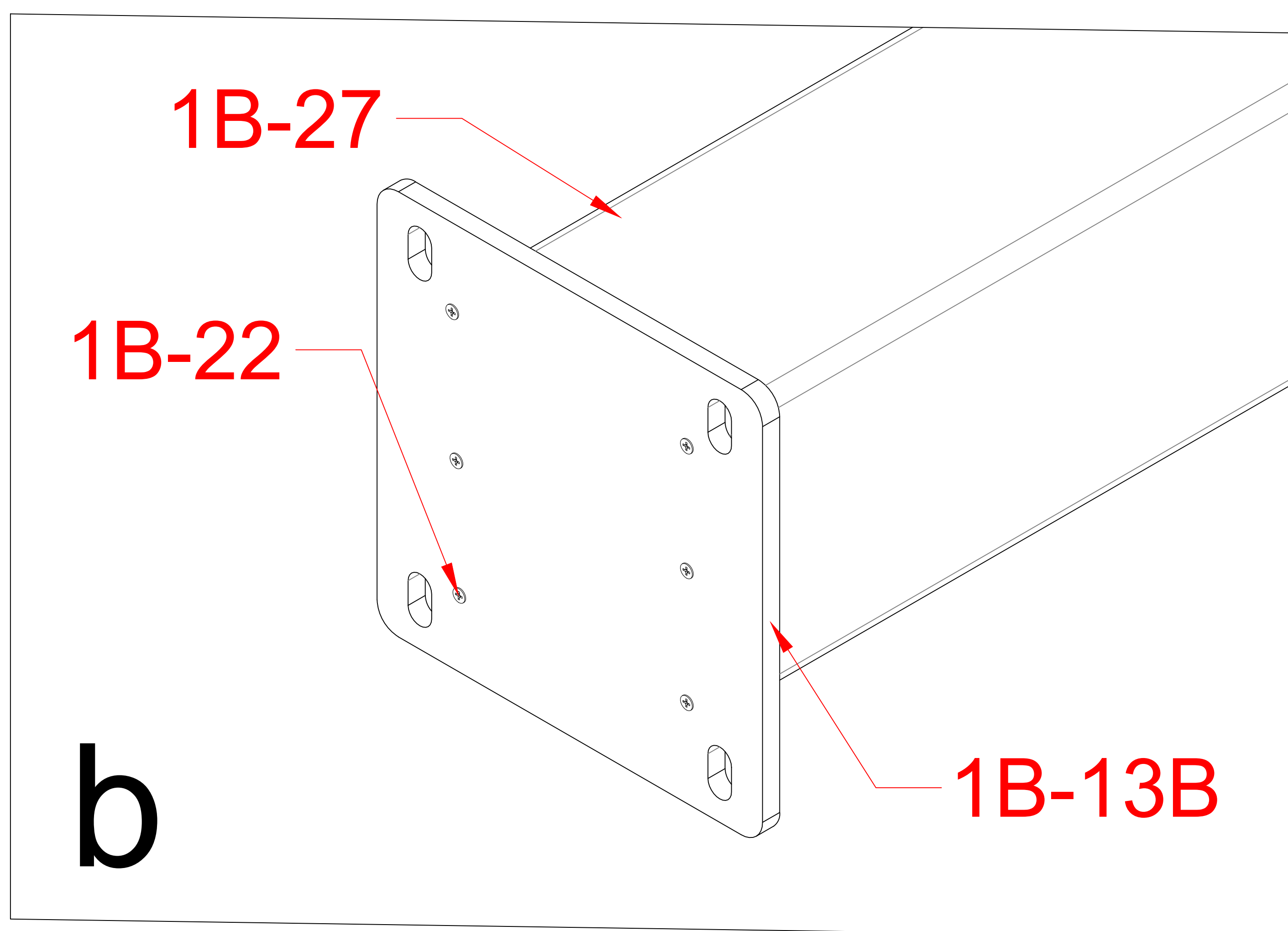
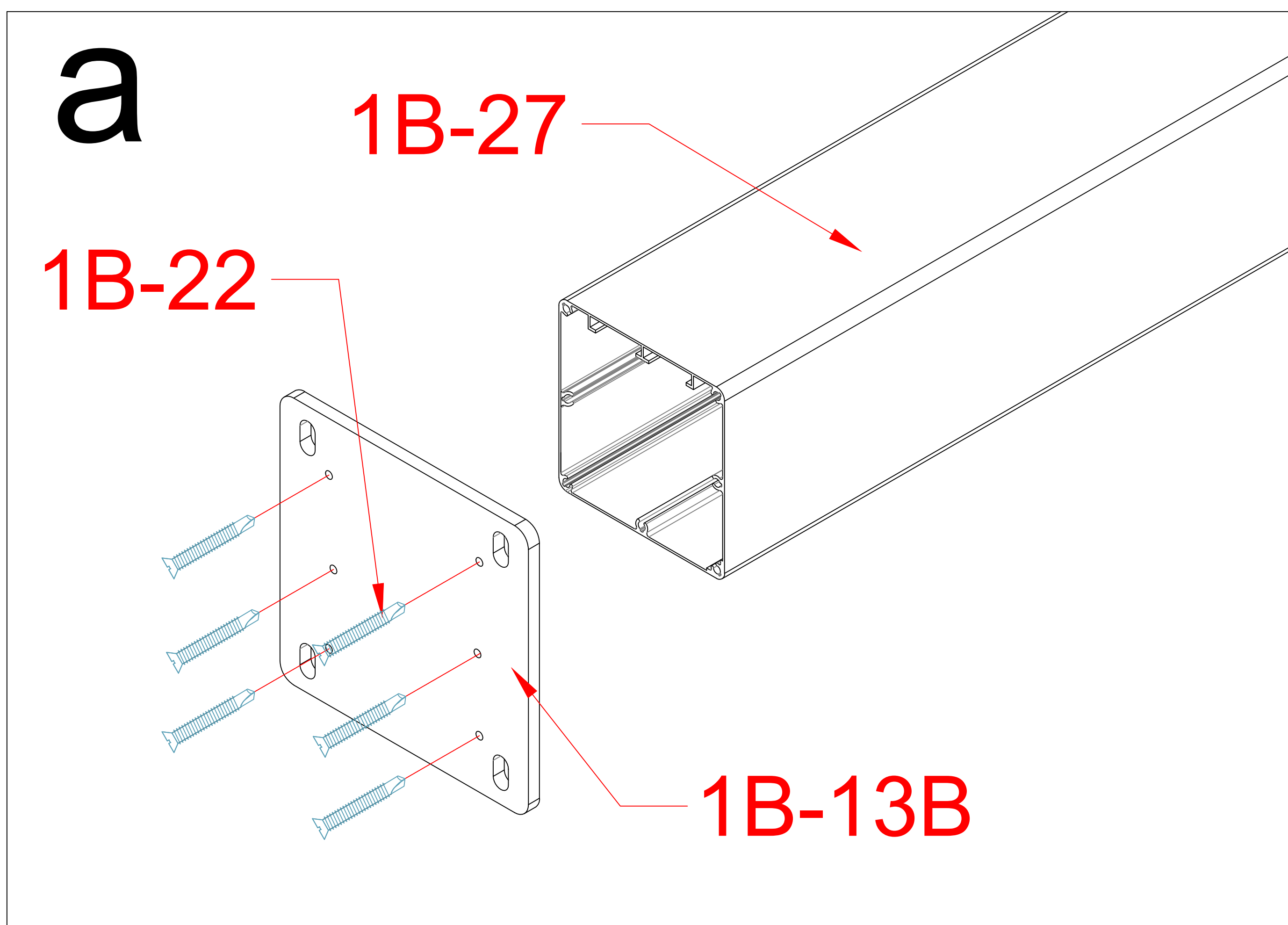
**If there are electrical components including motor, blinds or LED light, Set the wire through the post firstly, otherwise it would be very difficult to do so after pergola was assembled.**

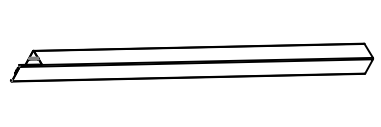
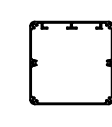
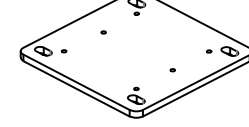
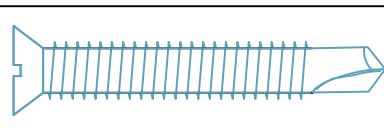


|       |  |    |
|-------|--|----|
| 1B-22 | <br>M5.5*50 | 12 |
| 1B-01 |             | 2  |
| 1B-13 |             | 2  |

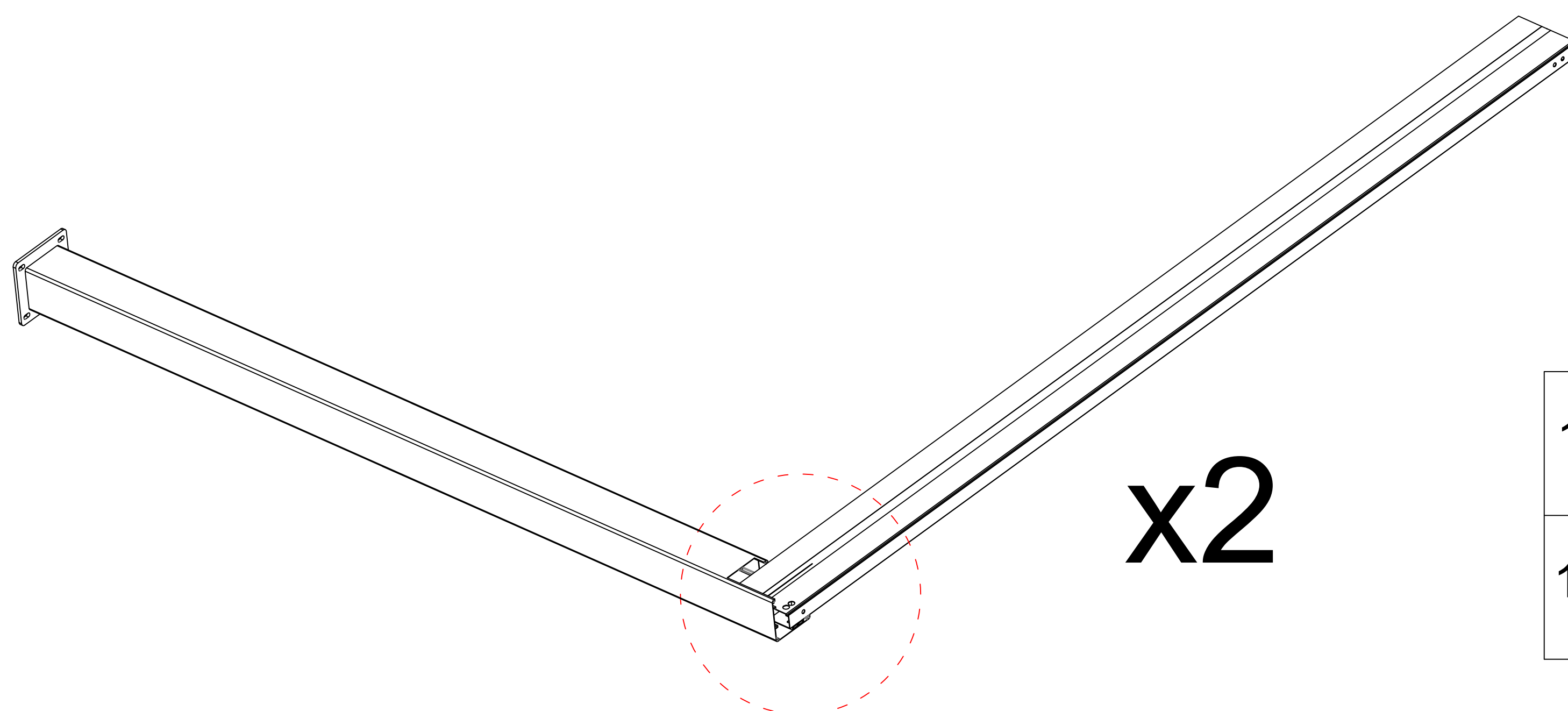
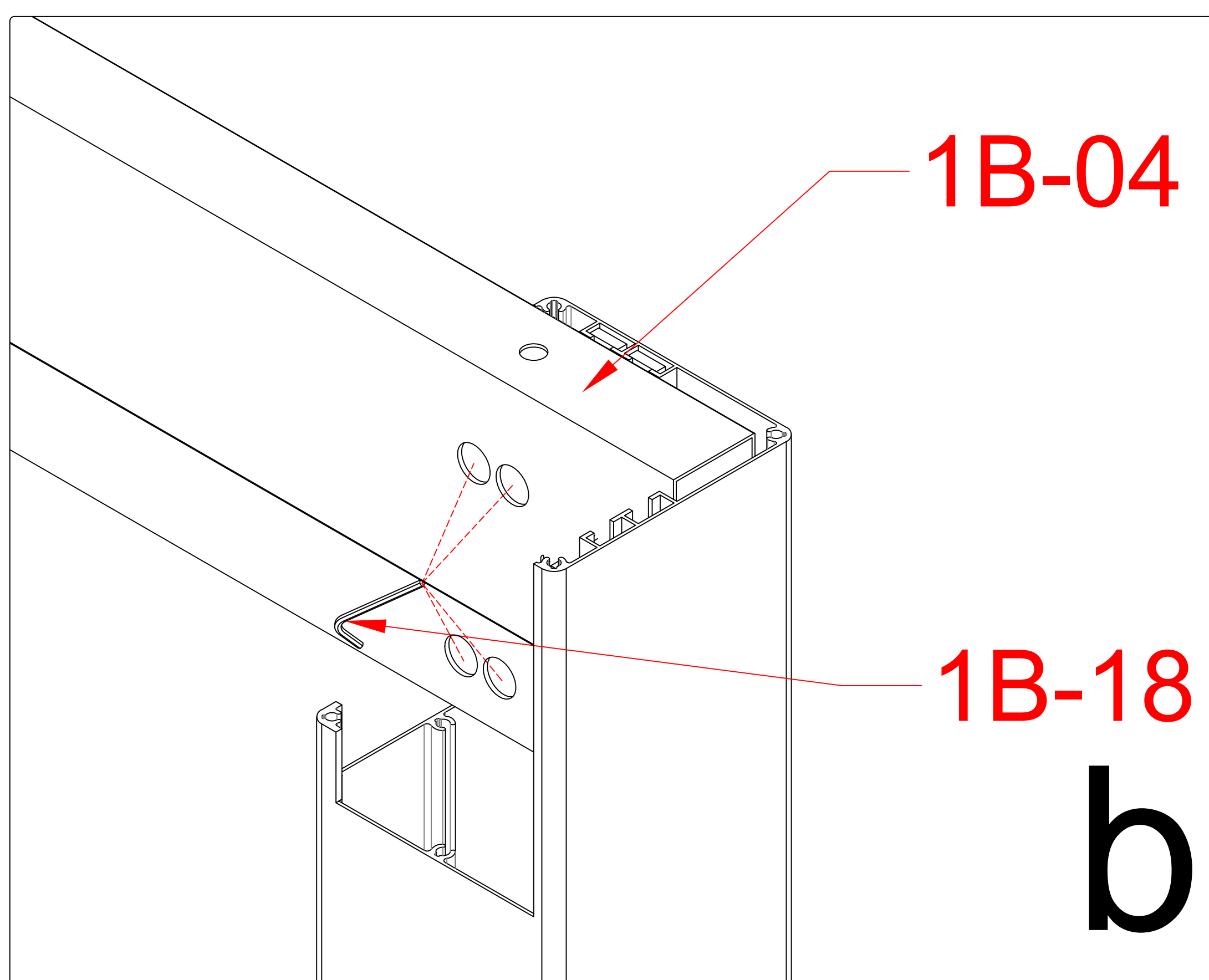
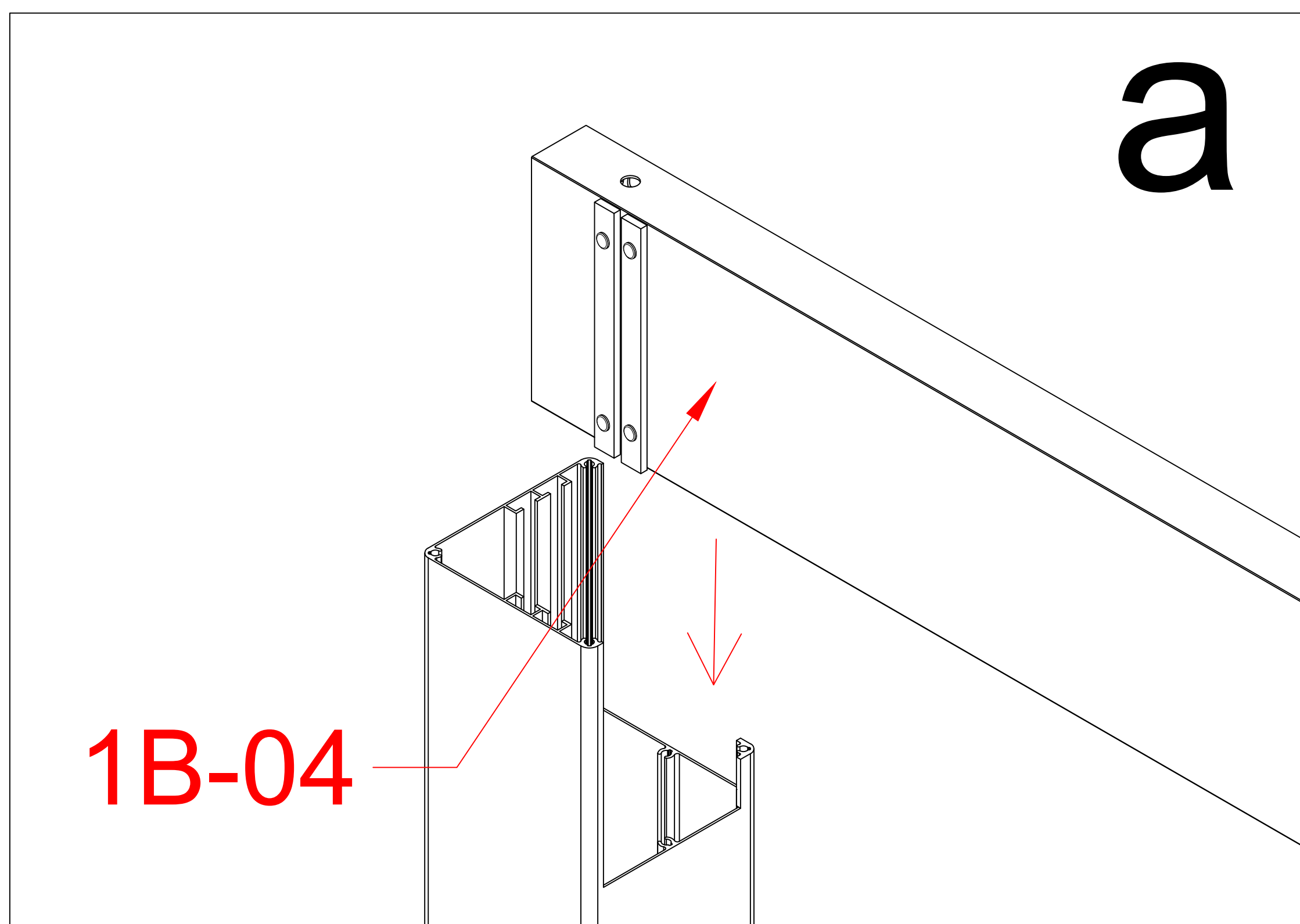




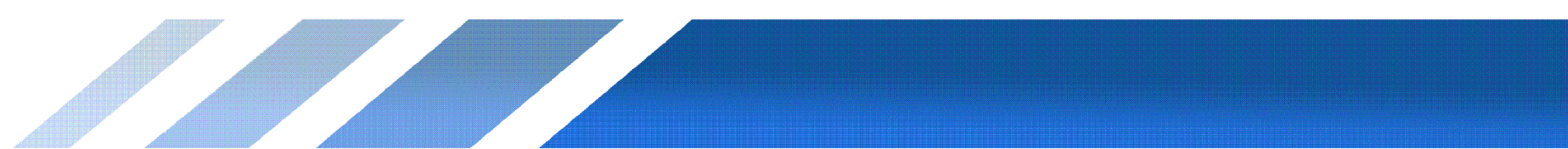


|        |  |   |   |
|--------|--|---|---|
| 1B-27  |             |  | 1 |
| 1B-13B |             |   | 1 |
| 1B-22  | <br>M5.5*50 |   | 6 |

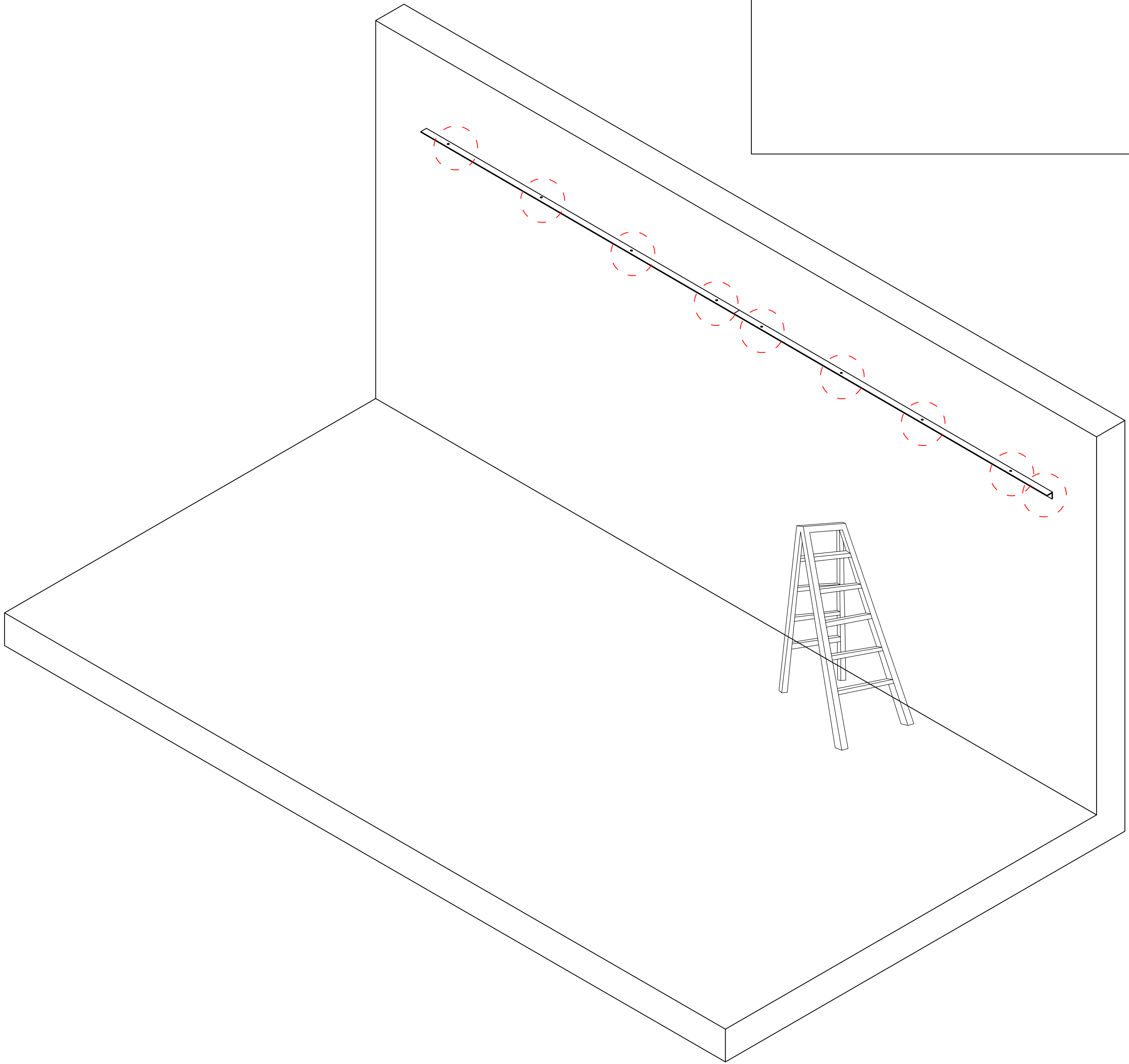
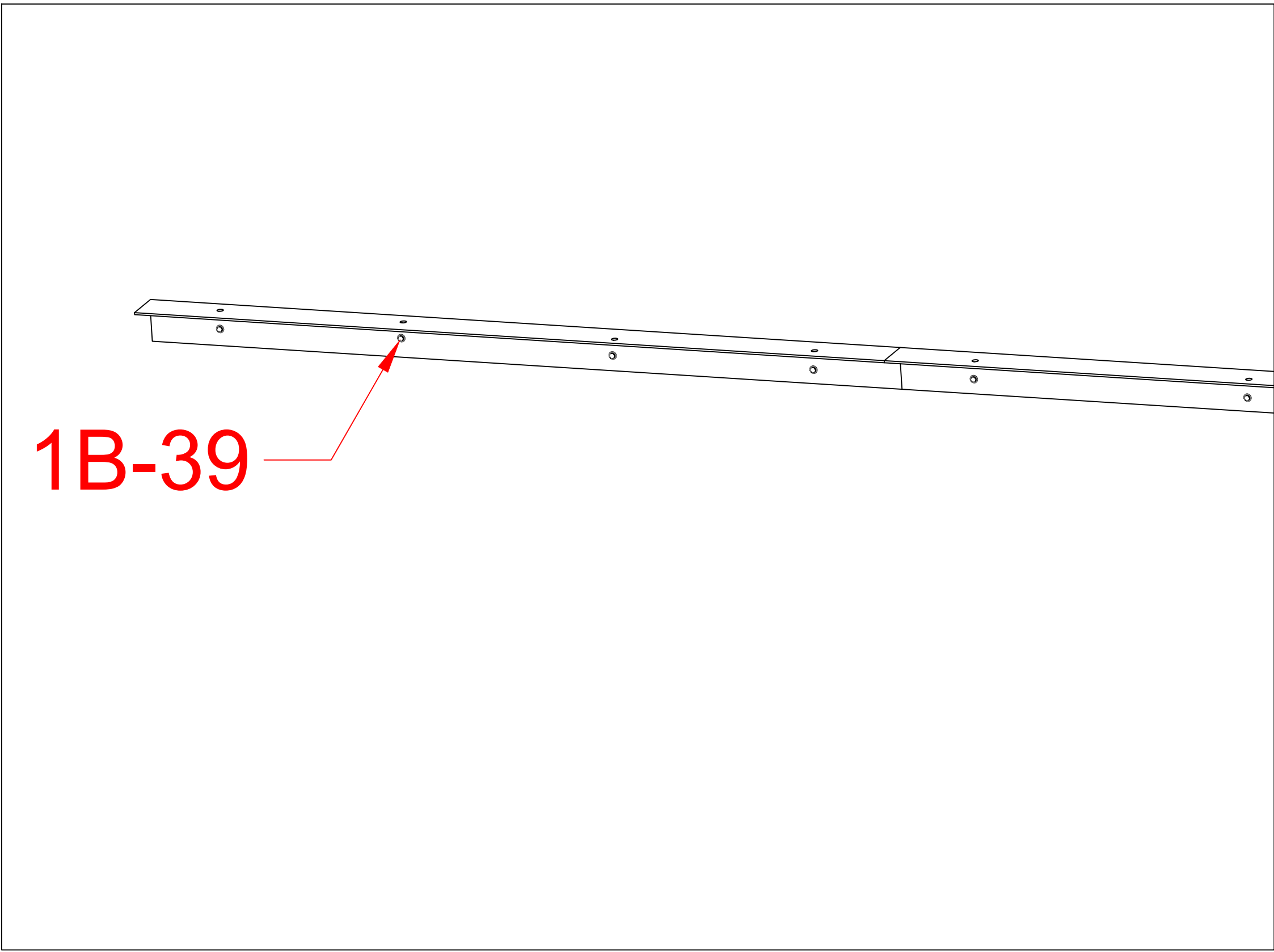
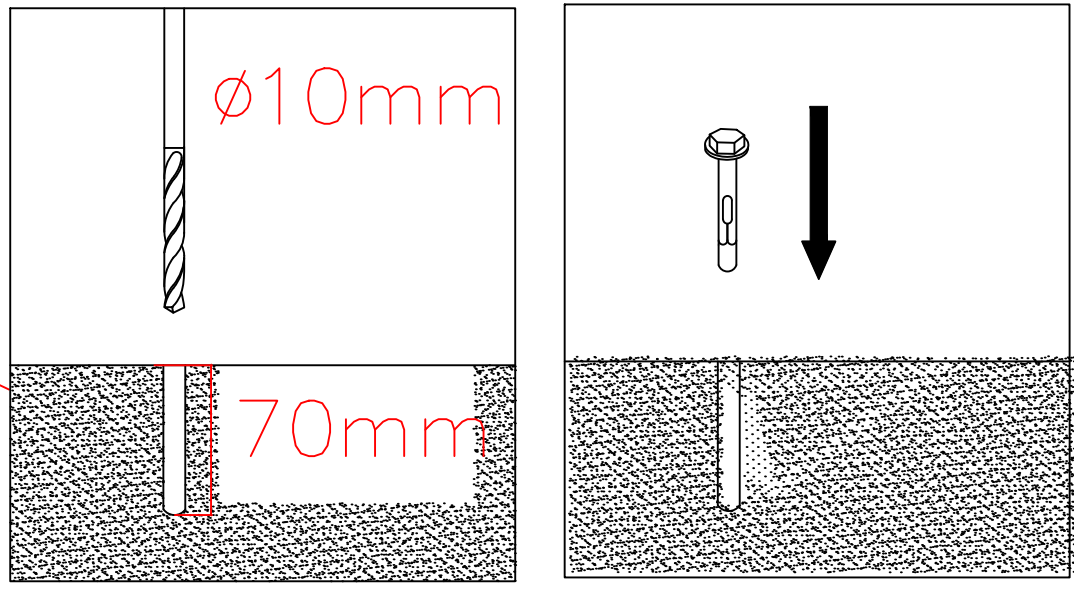
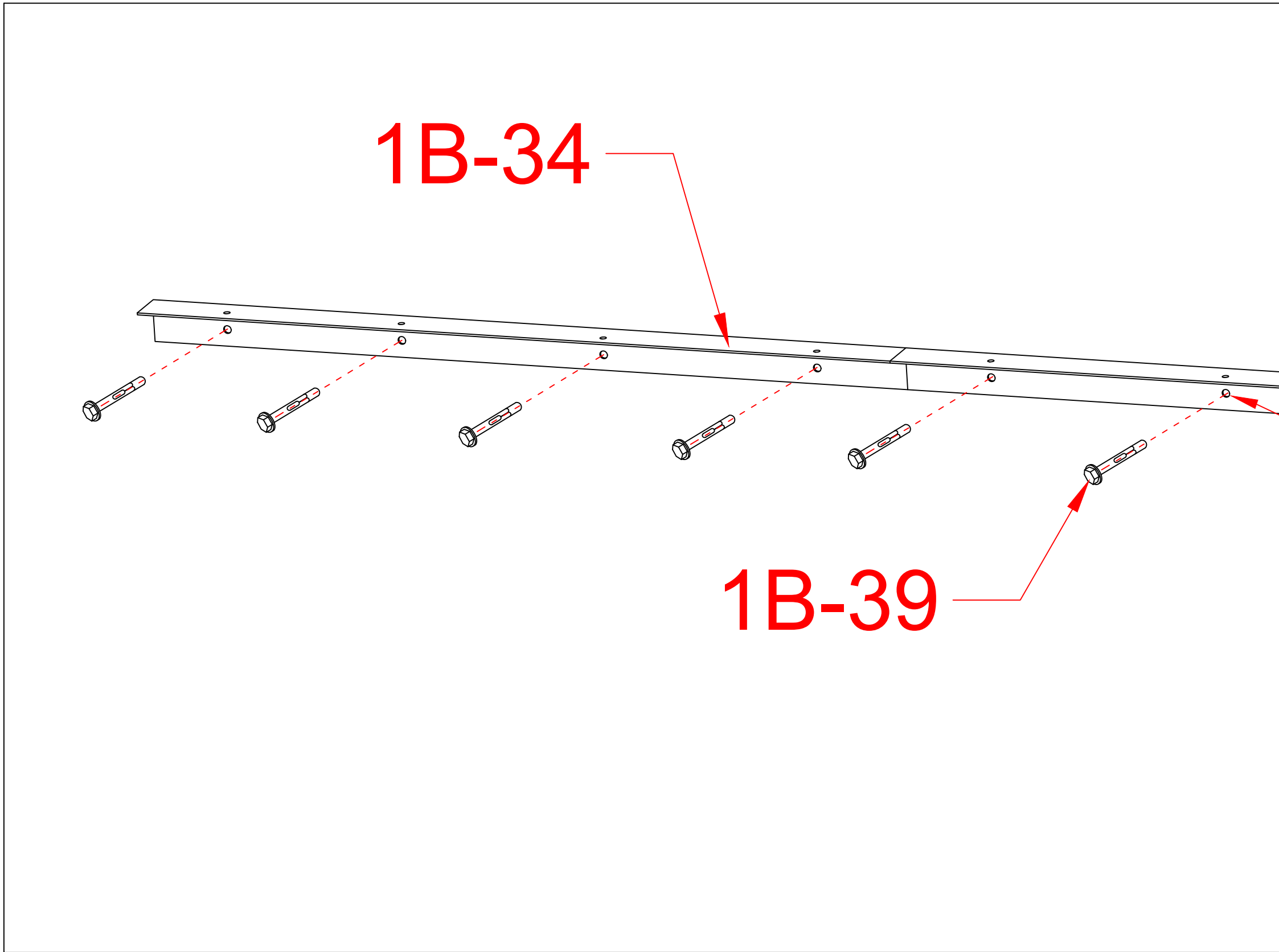




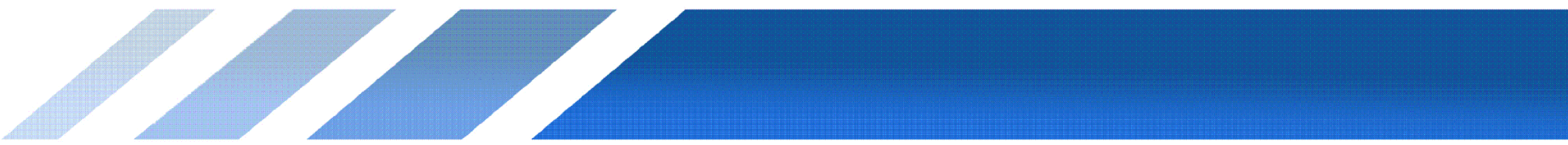
|       |  |   |
|-------|--|---|
| 1B-01 |  | 2 |
| 1B-04 |  | 2 |



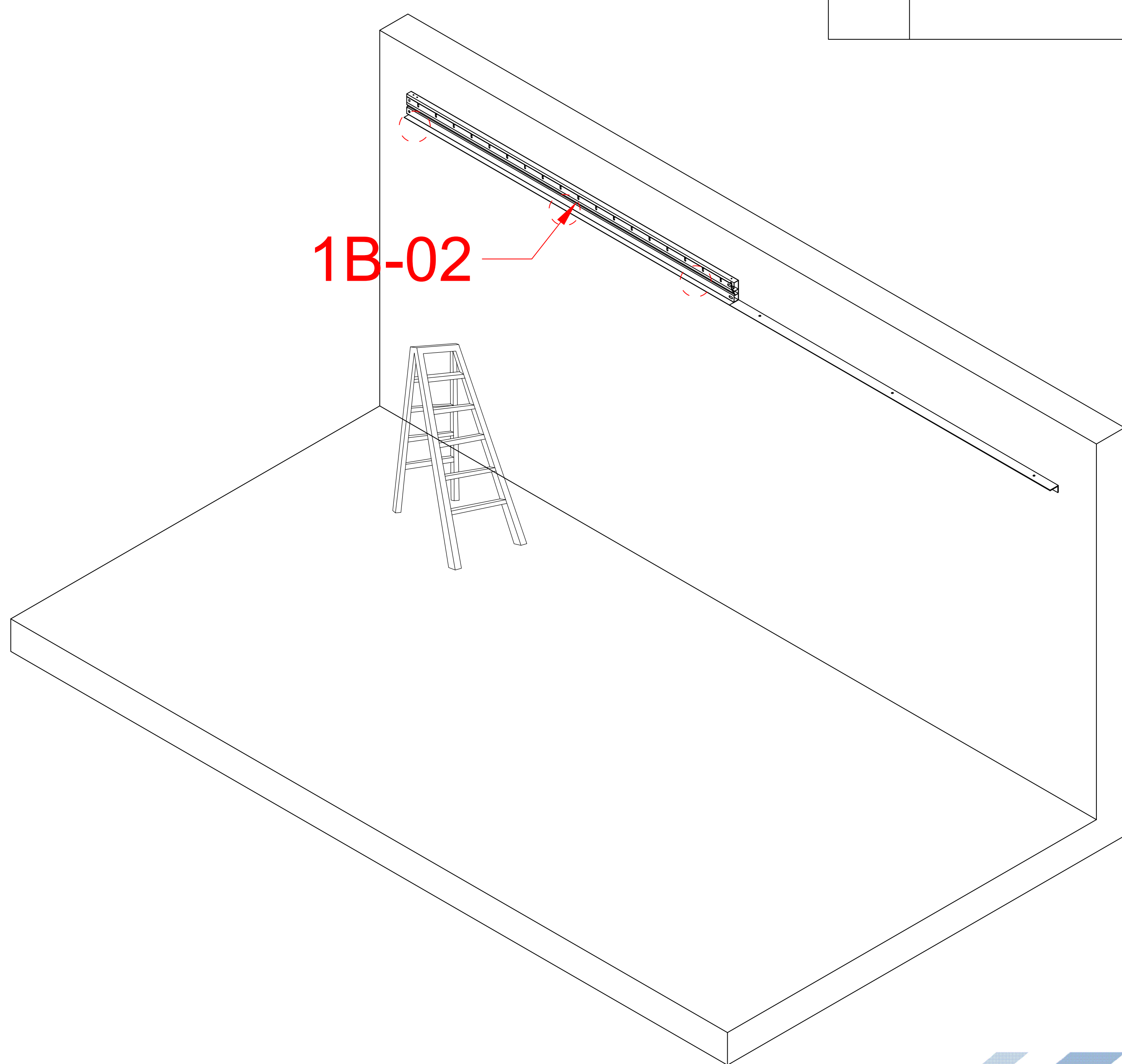
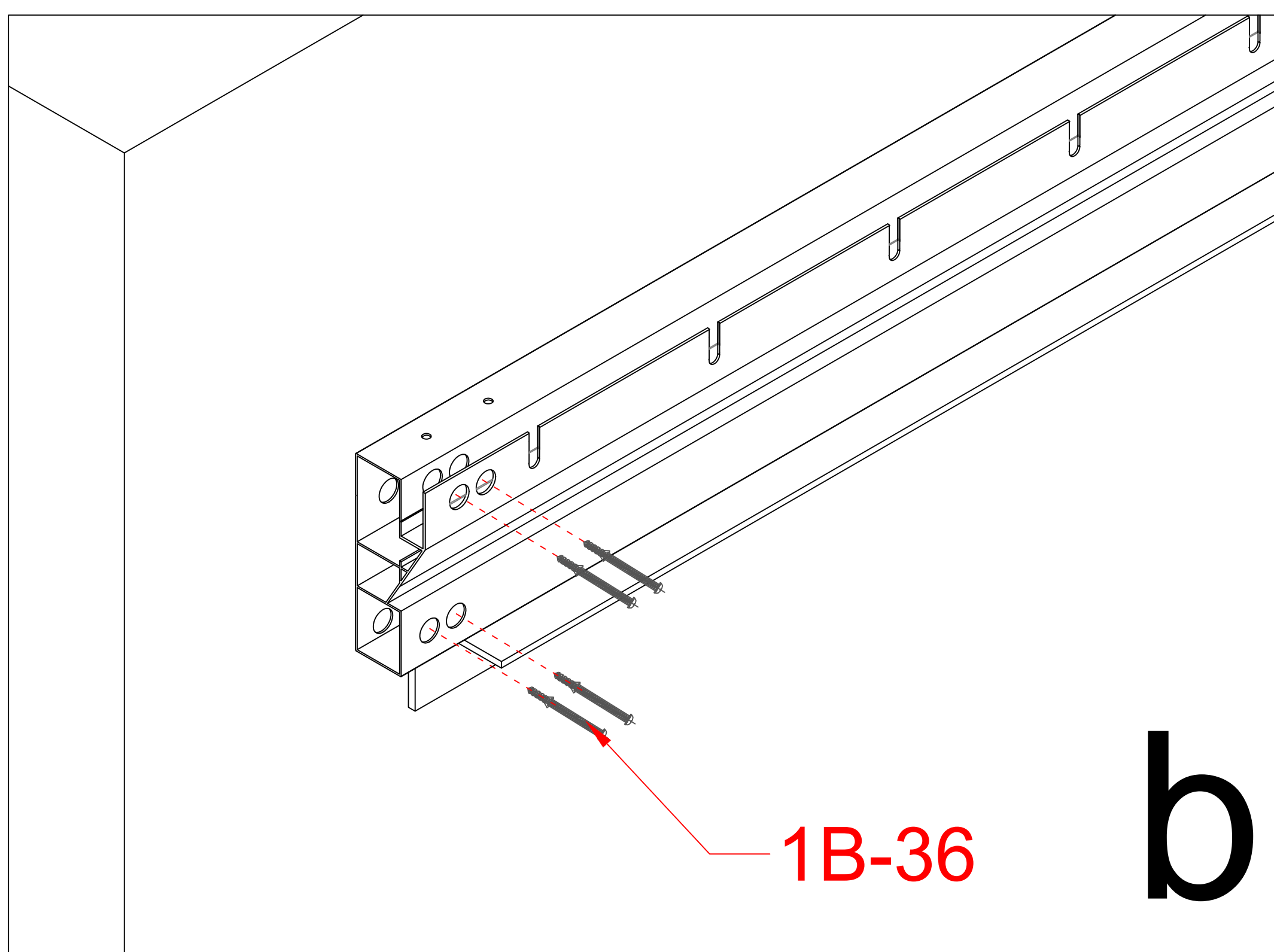
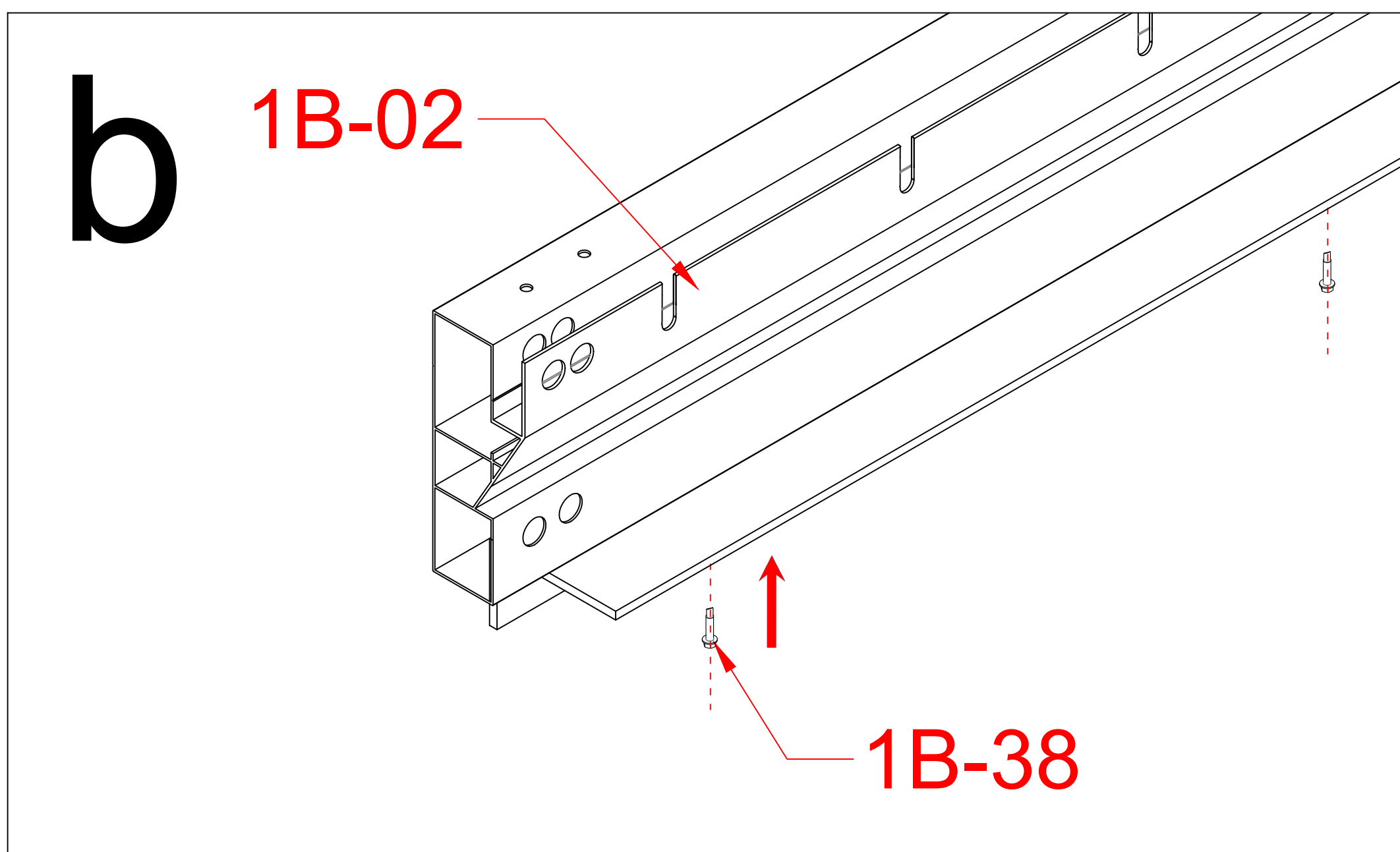
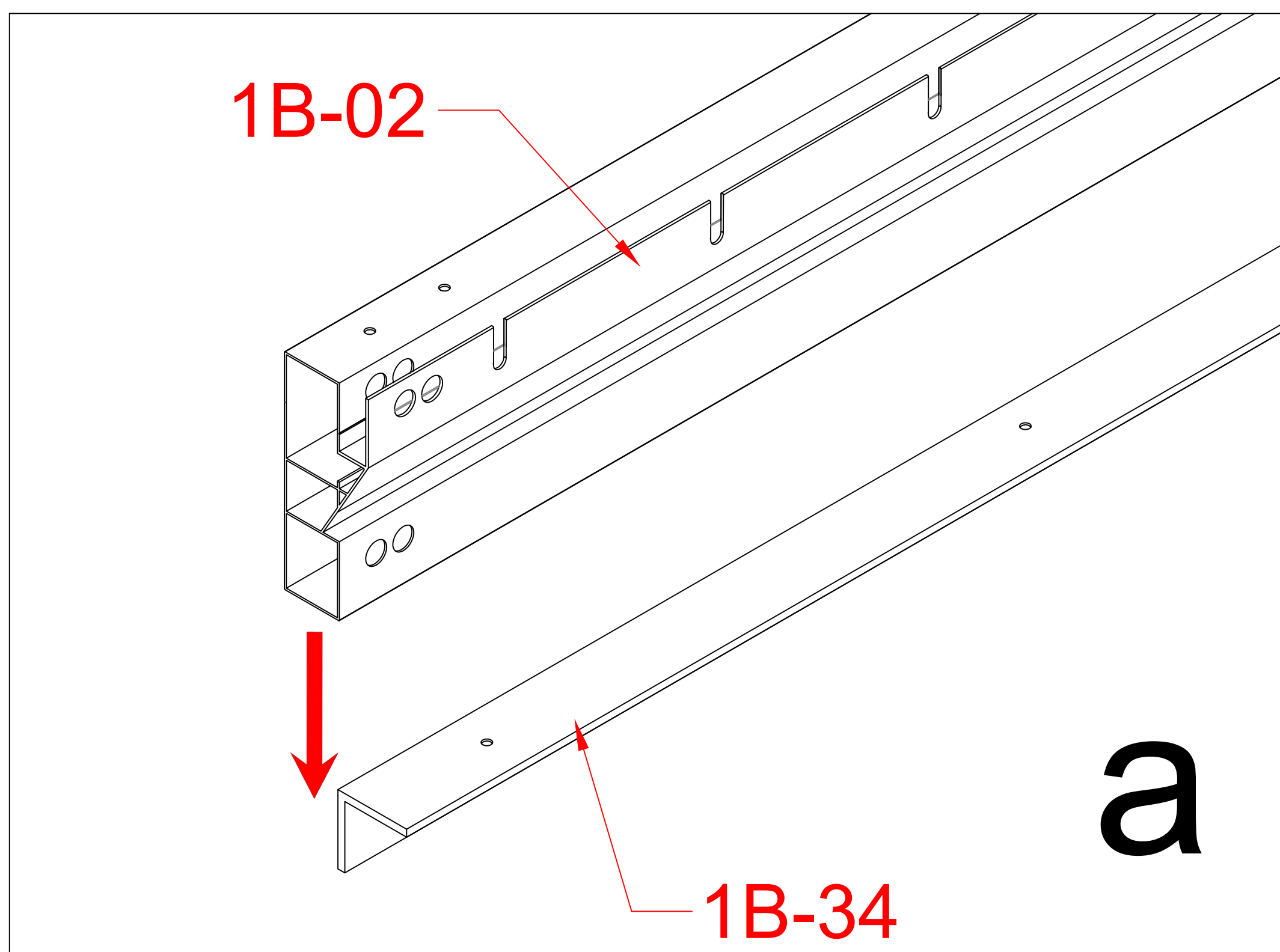




|       |  |   |
|-------|--|---|
| 1B-34 |  | 2 |
| 1B-39 |  | 8 |

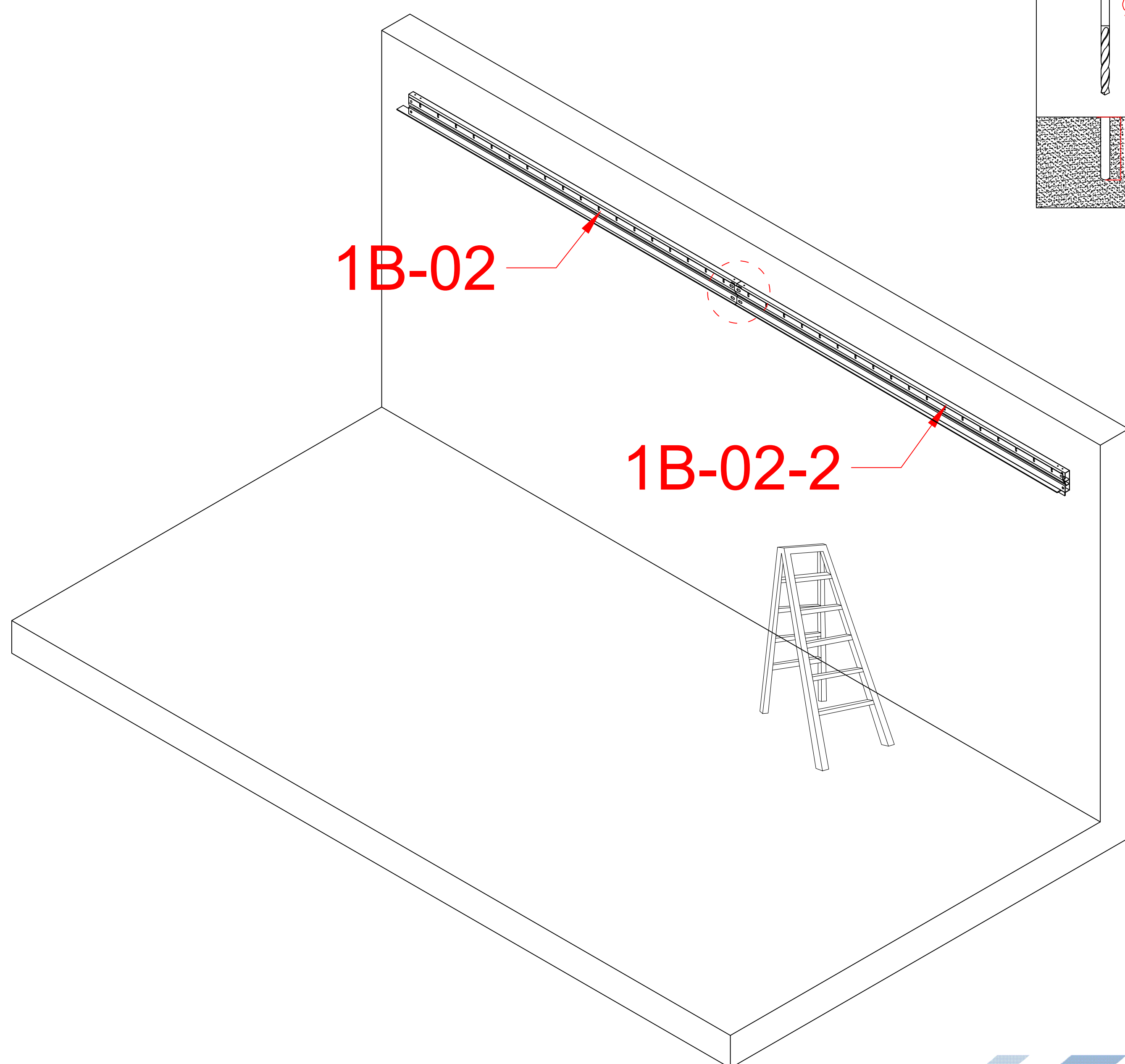
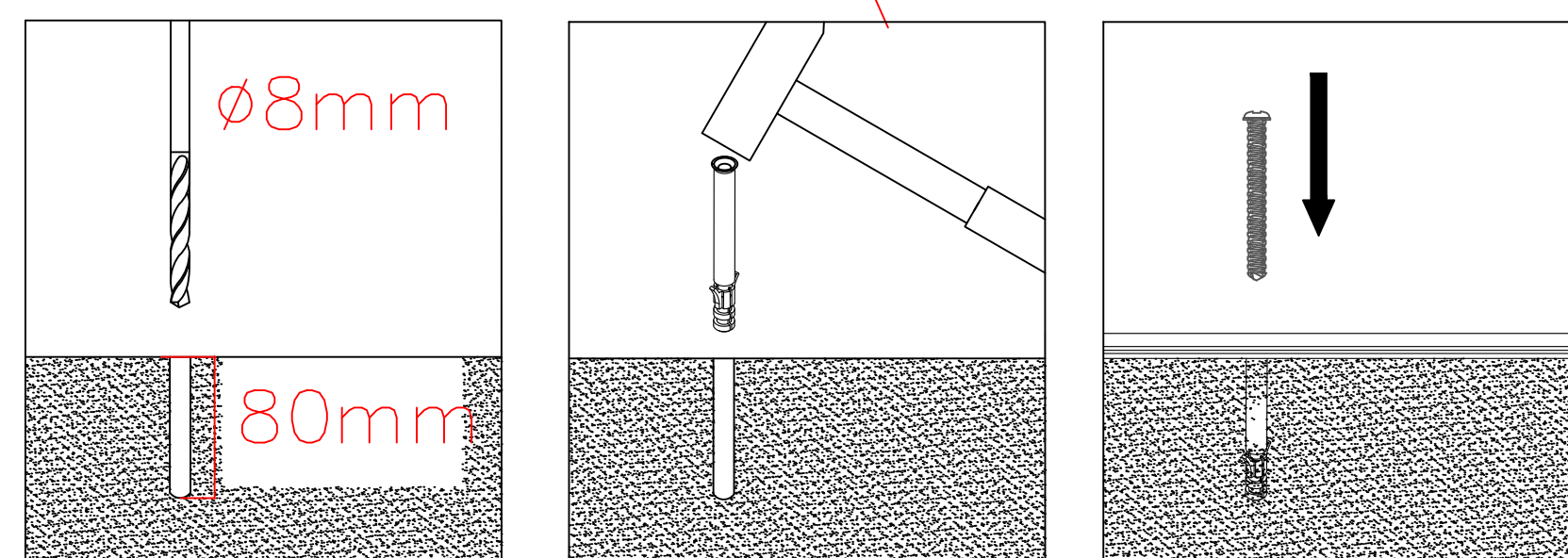
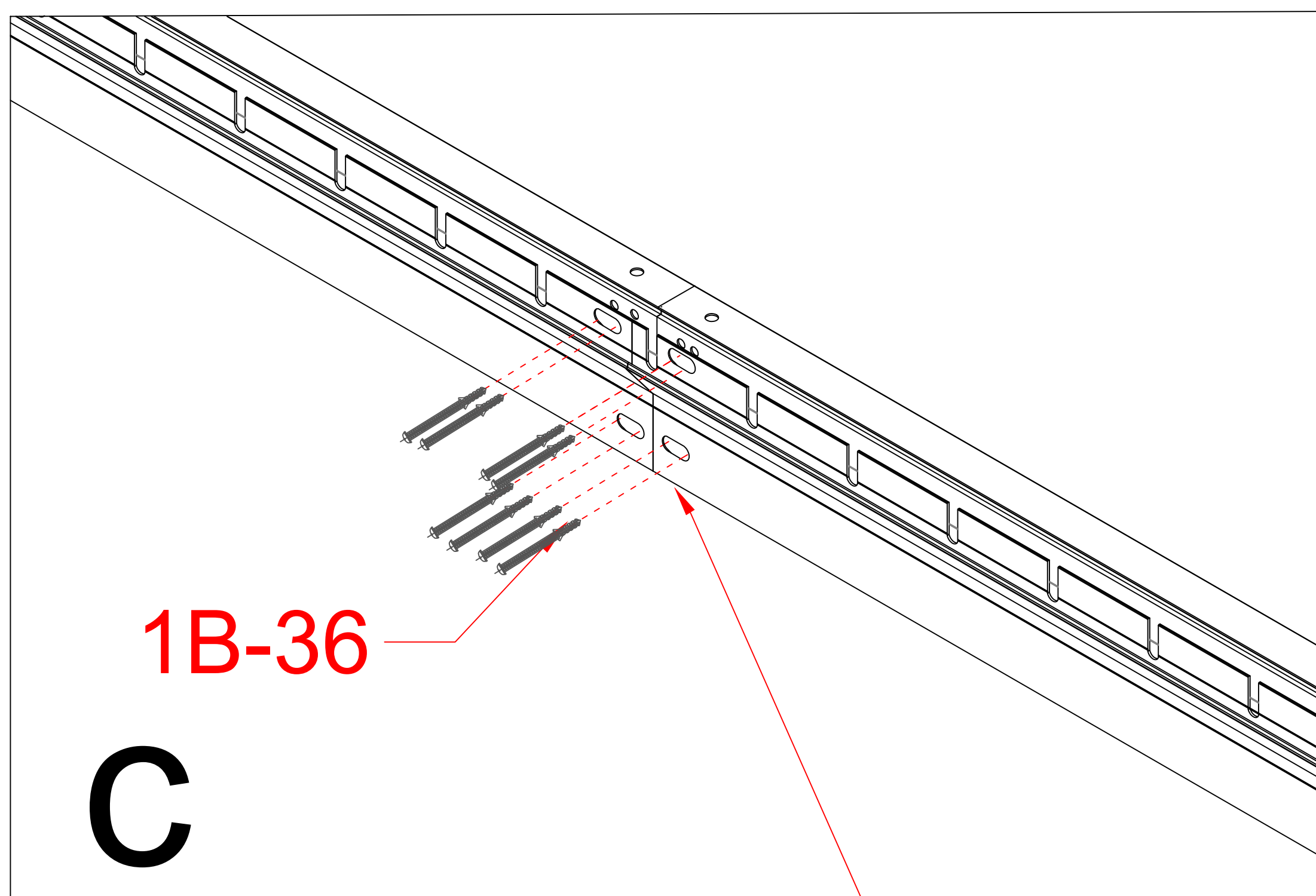
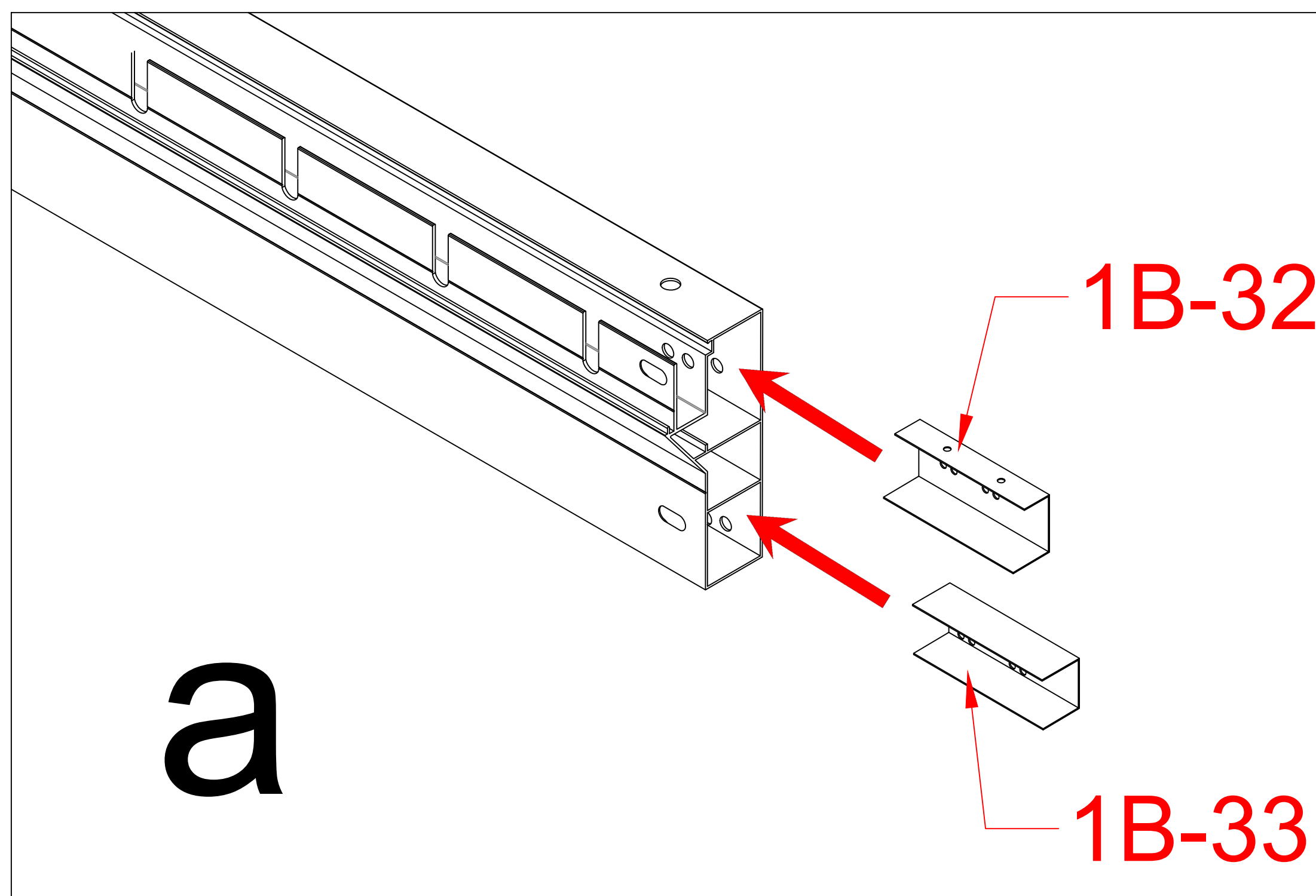
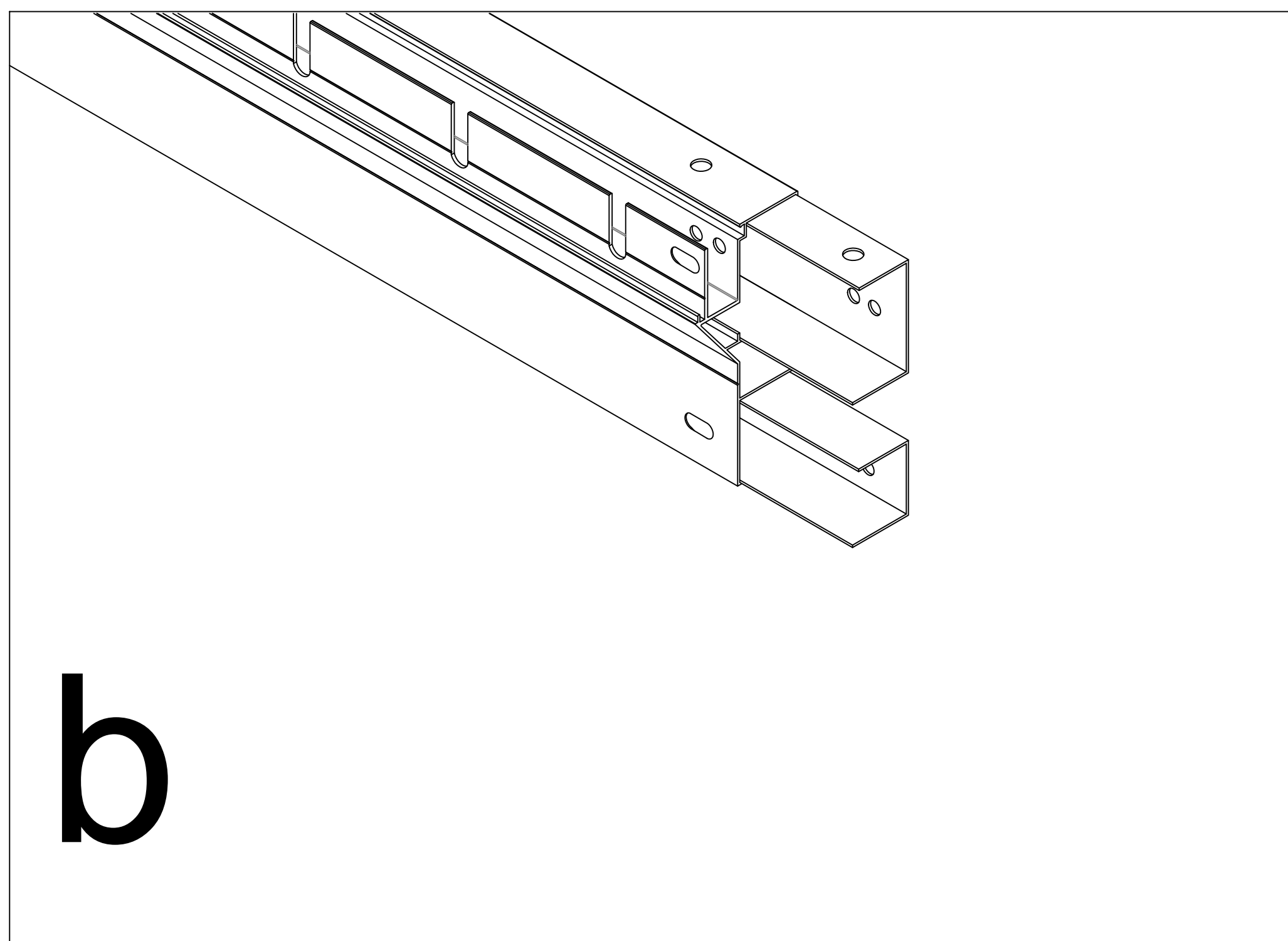






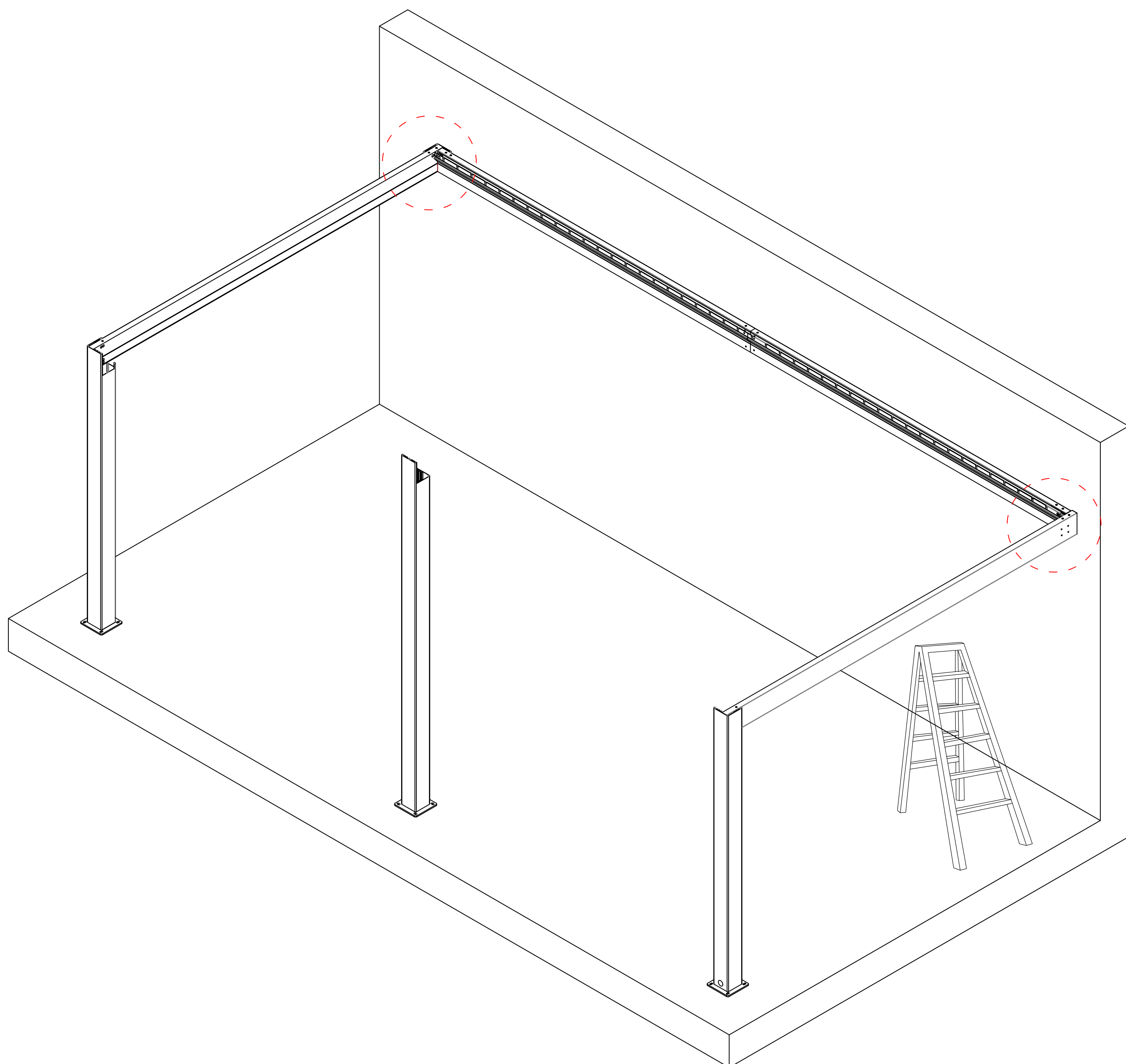
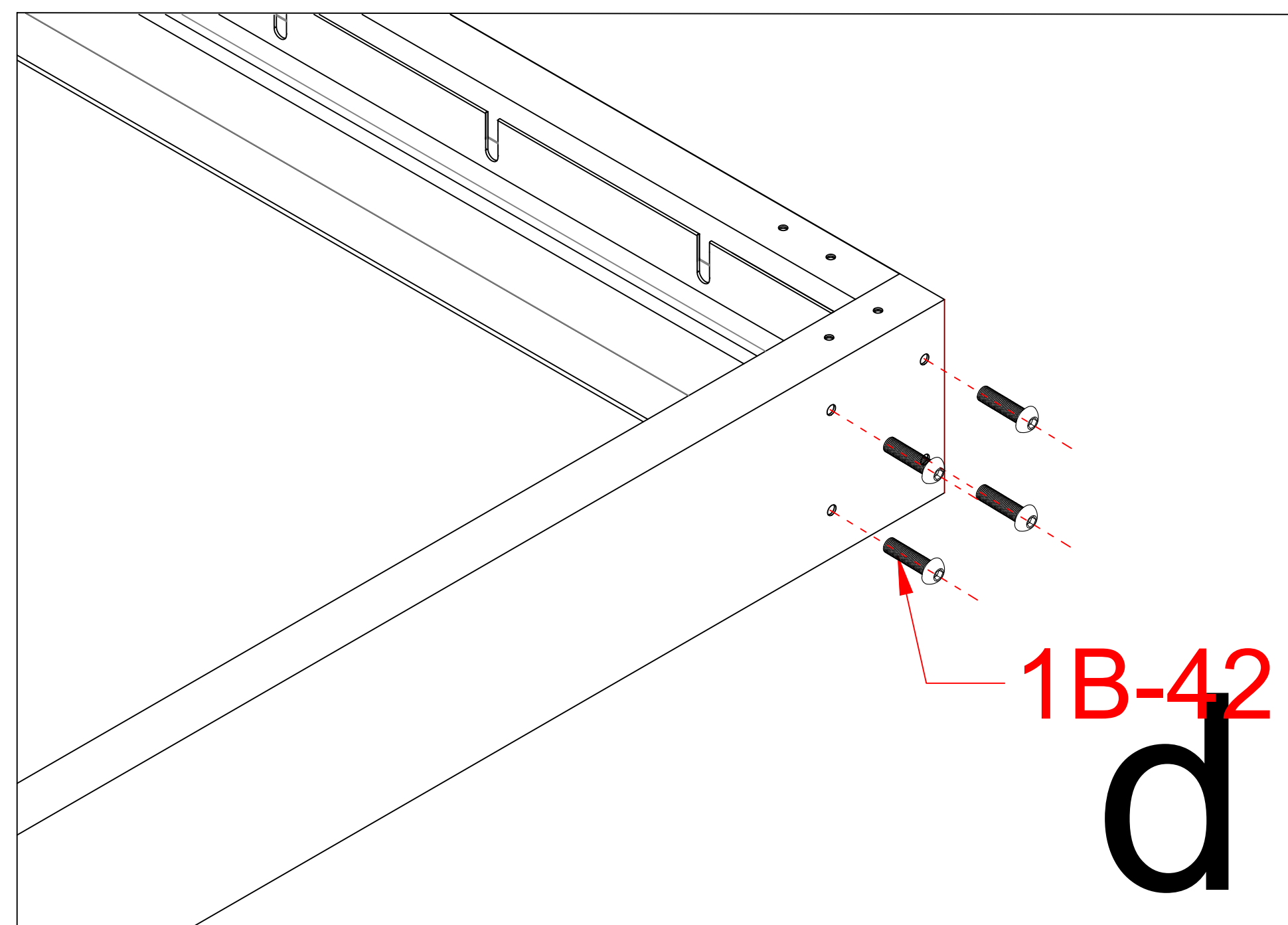
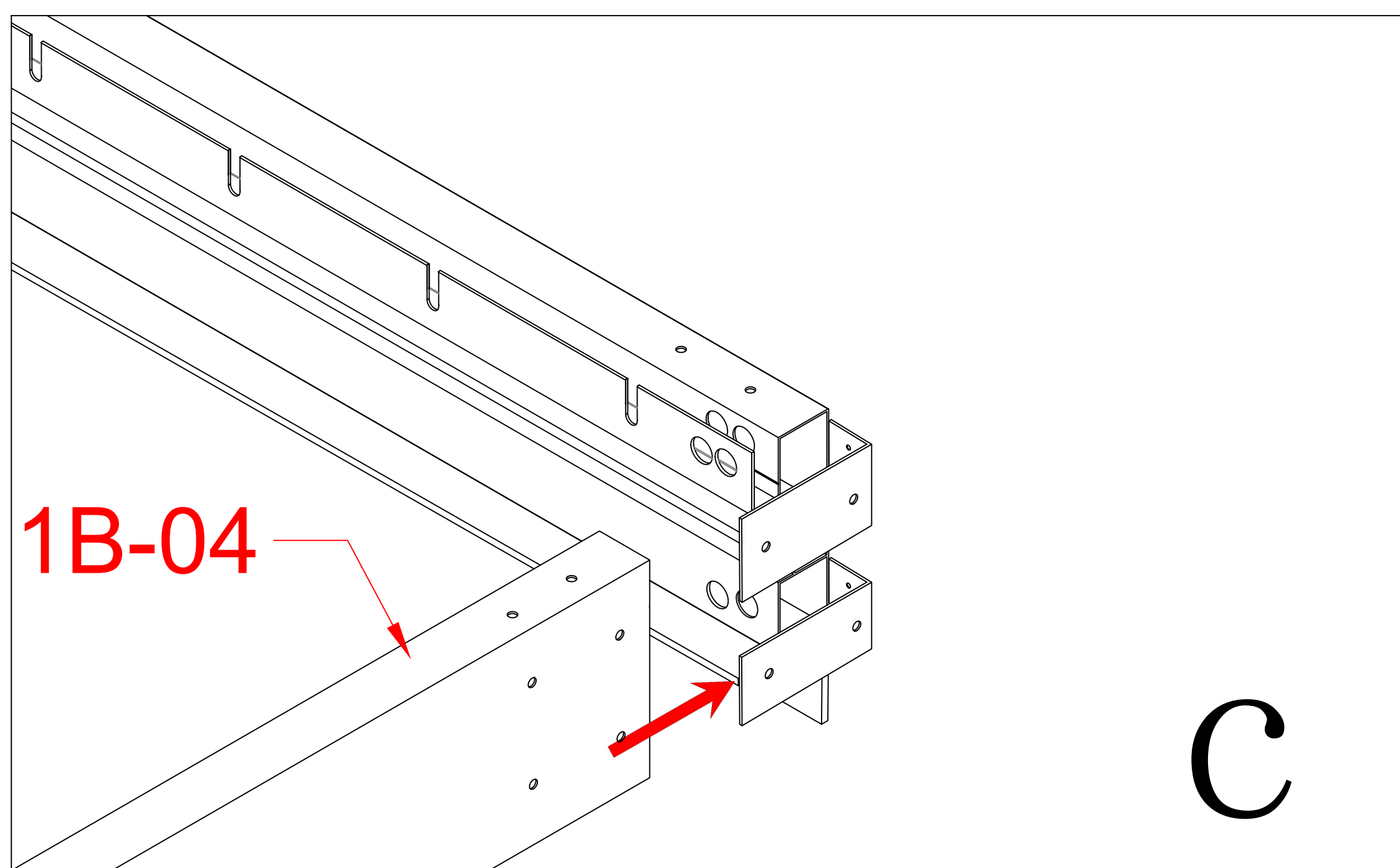
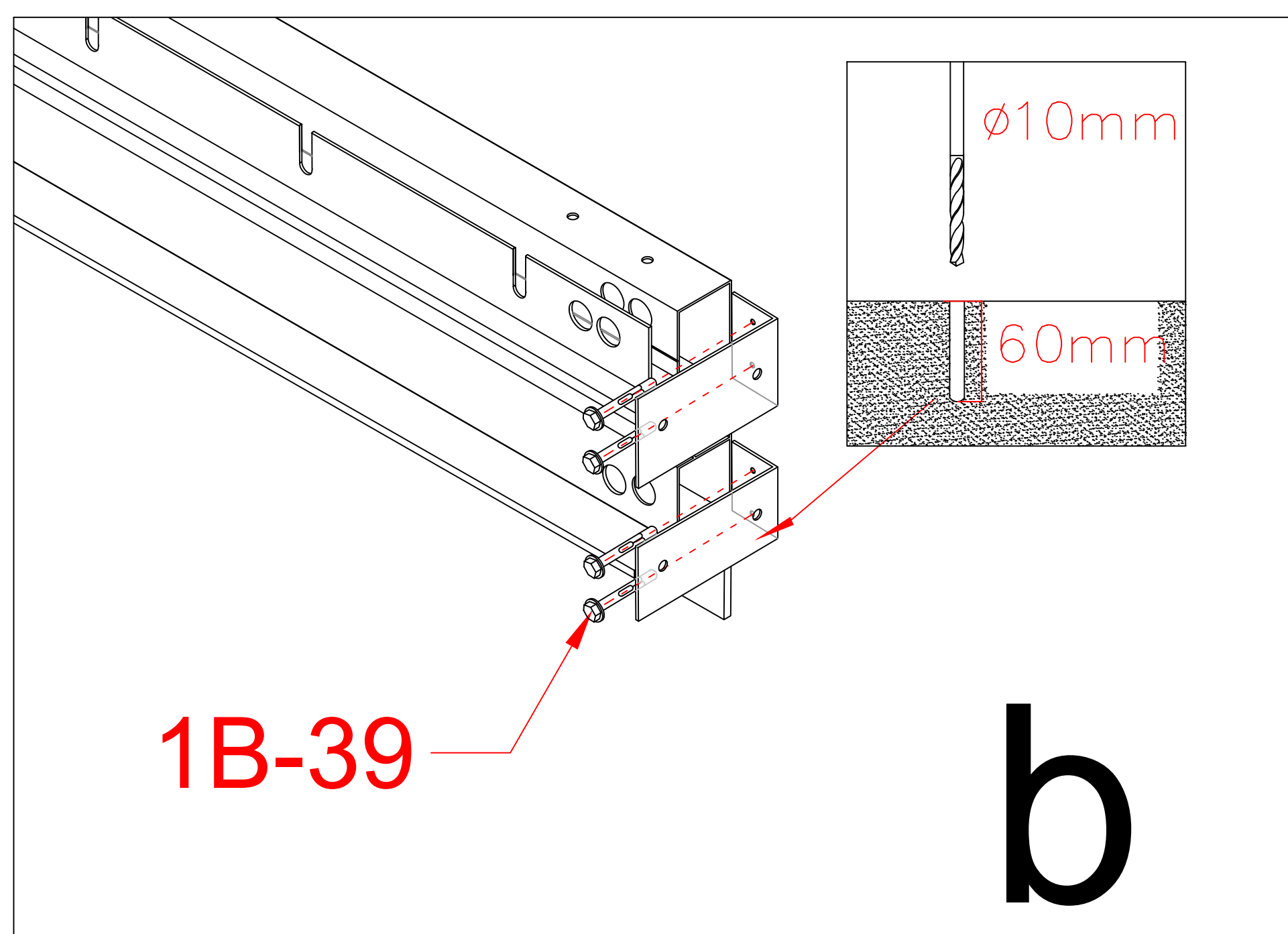
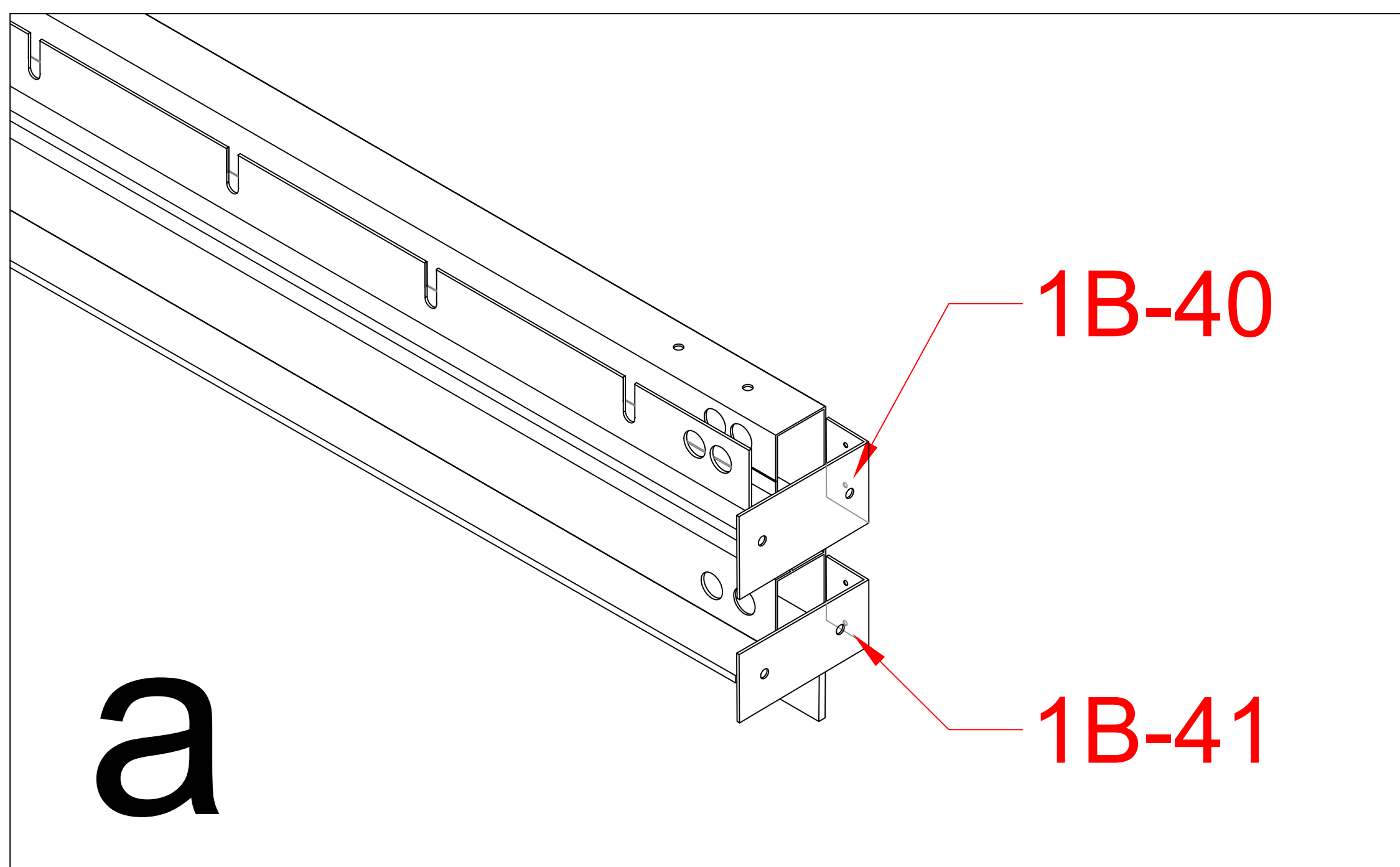
|       |  |   |
|-------|--|---|
| 1B-36 |  | 4 |
| 1B-38 |  | 4 |
| 1B-02 |  | 1 |

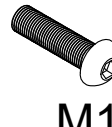
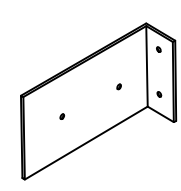
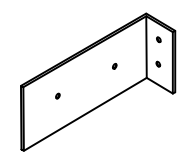
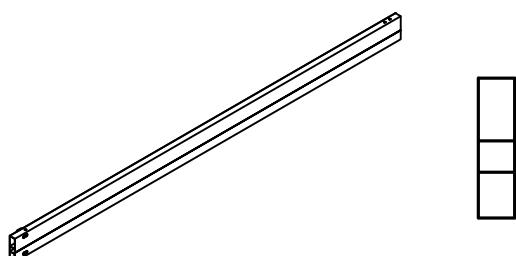





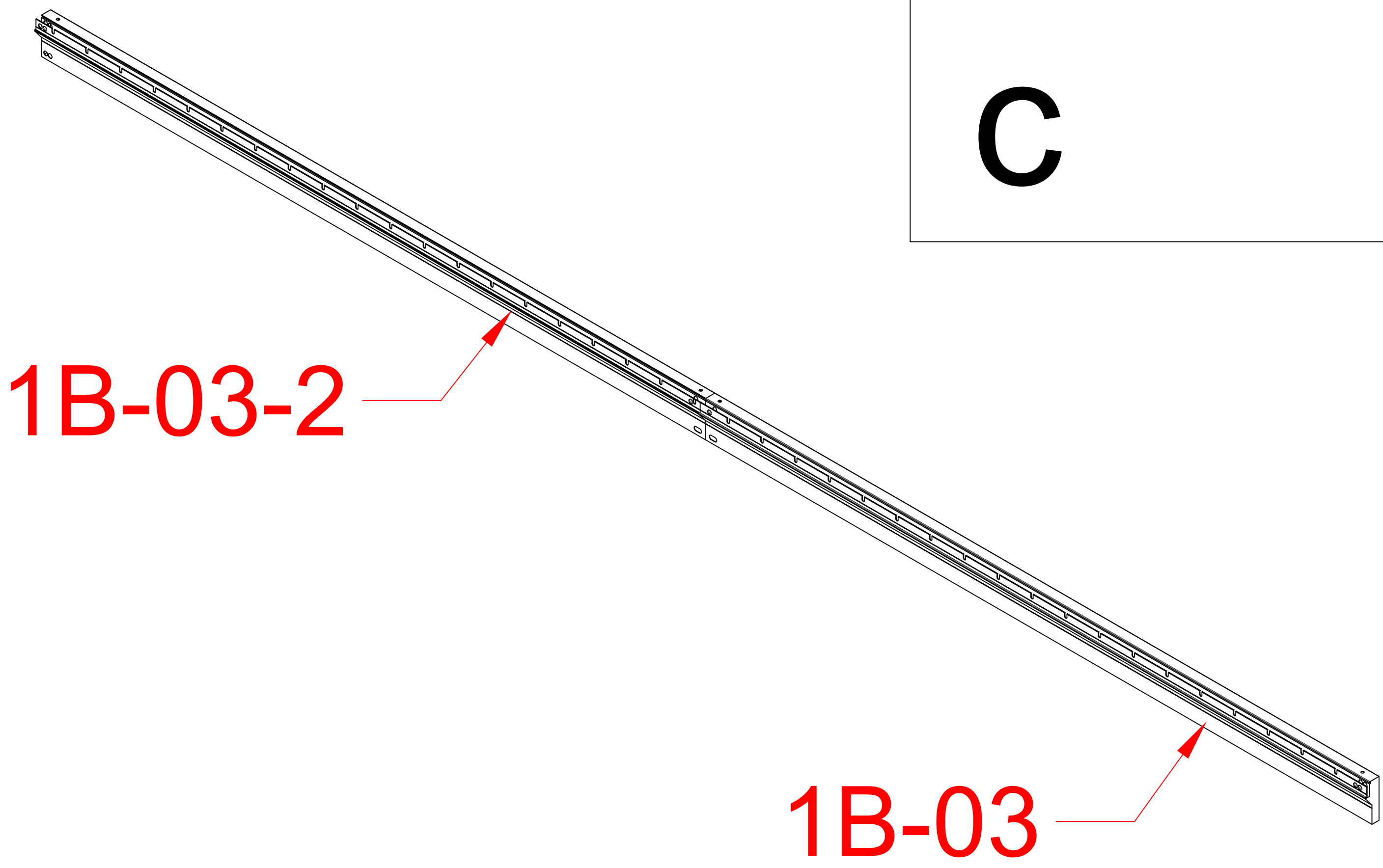
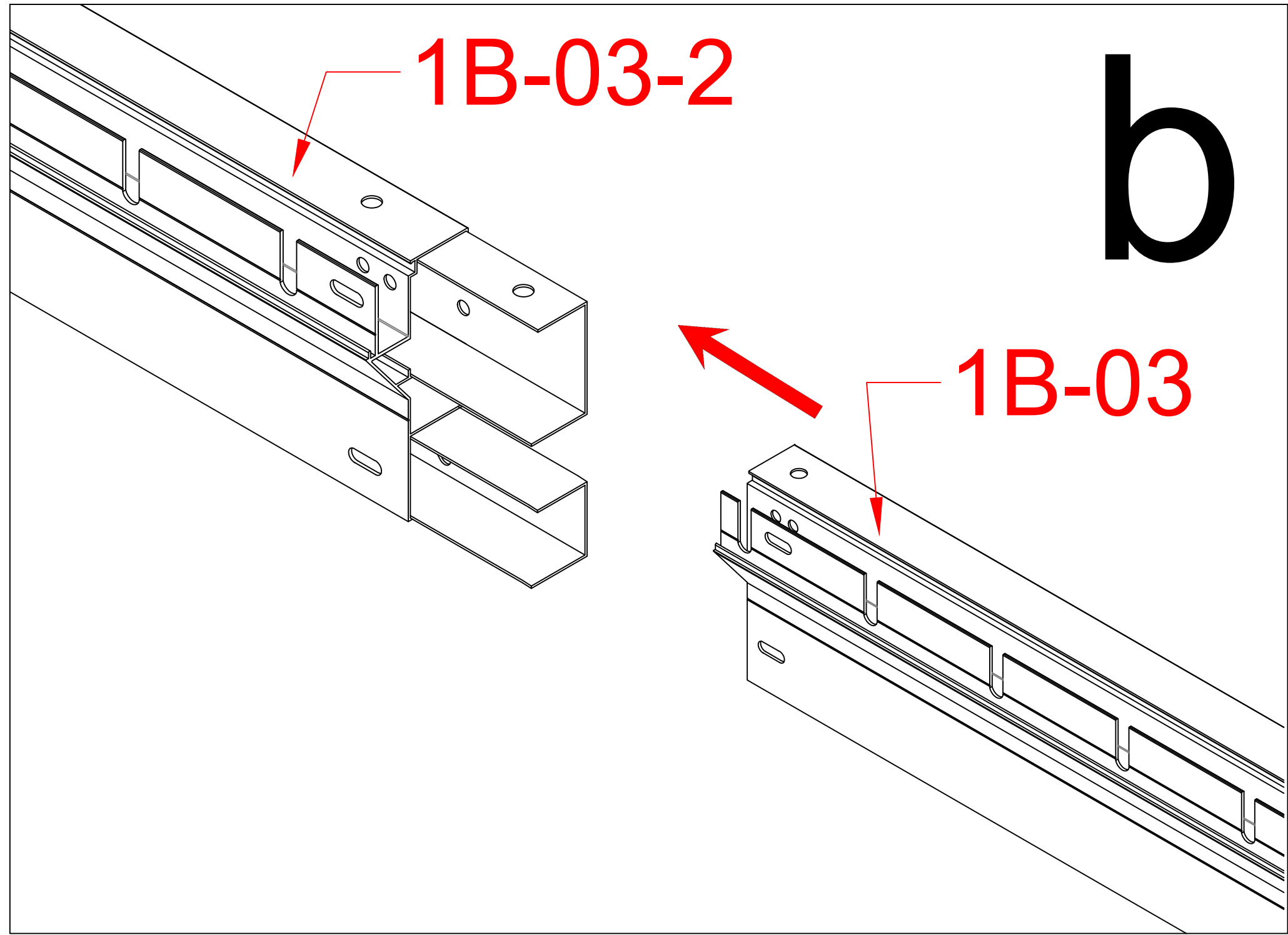
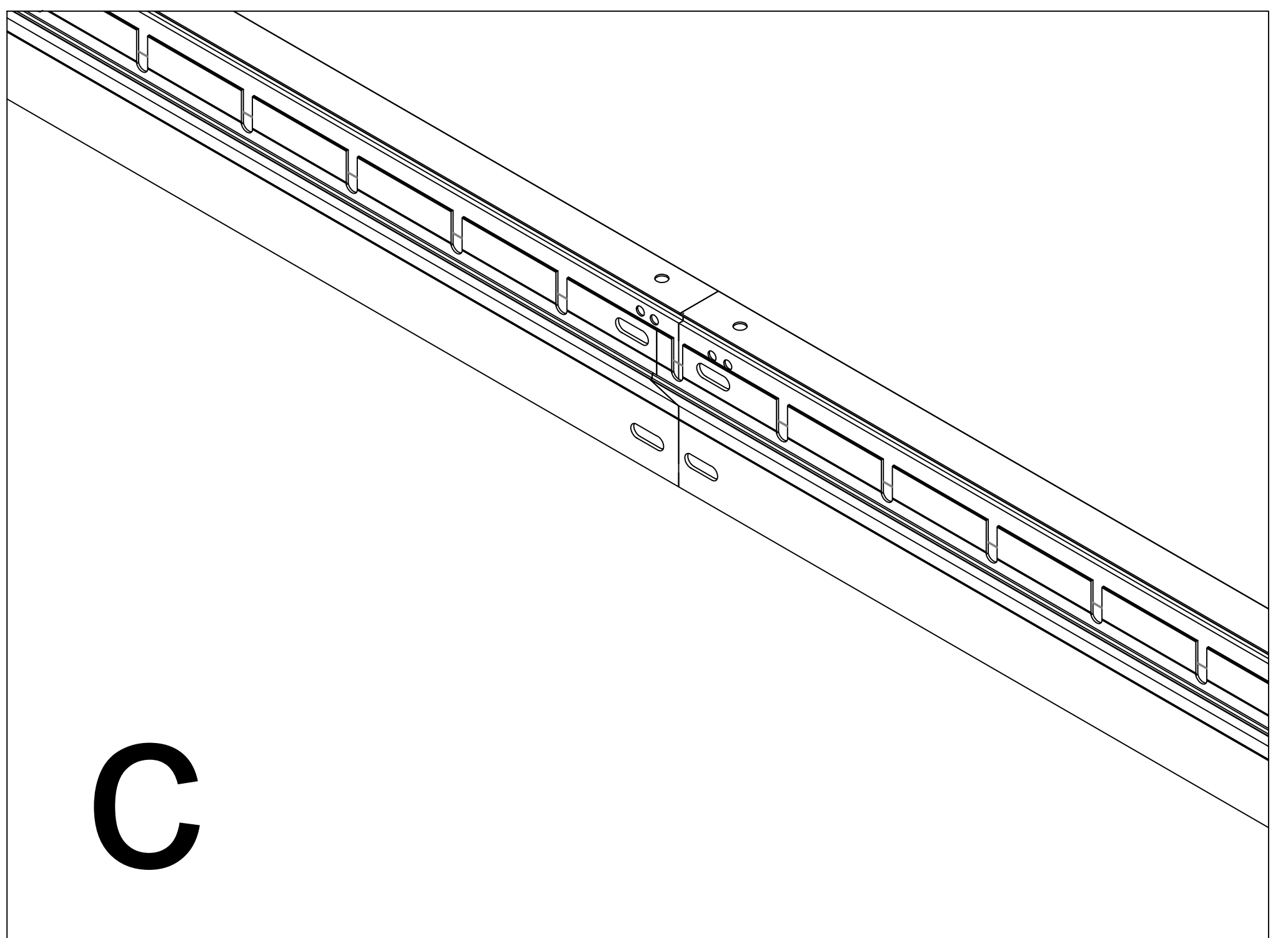
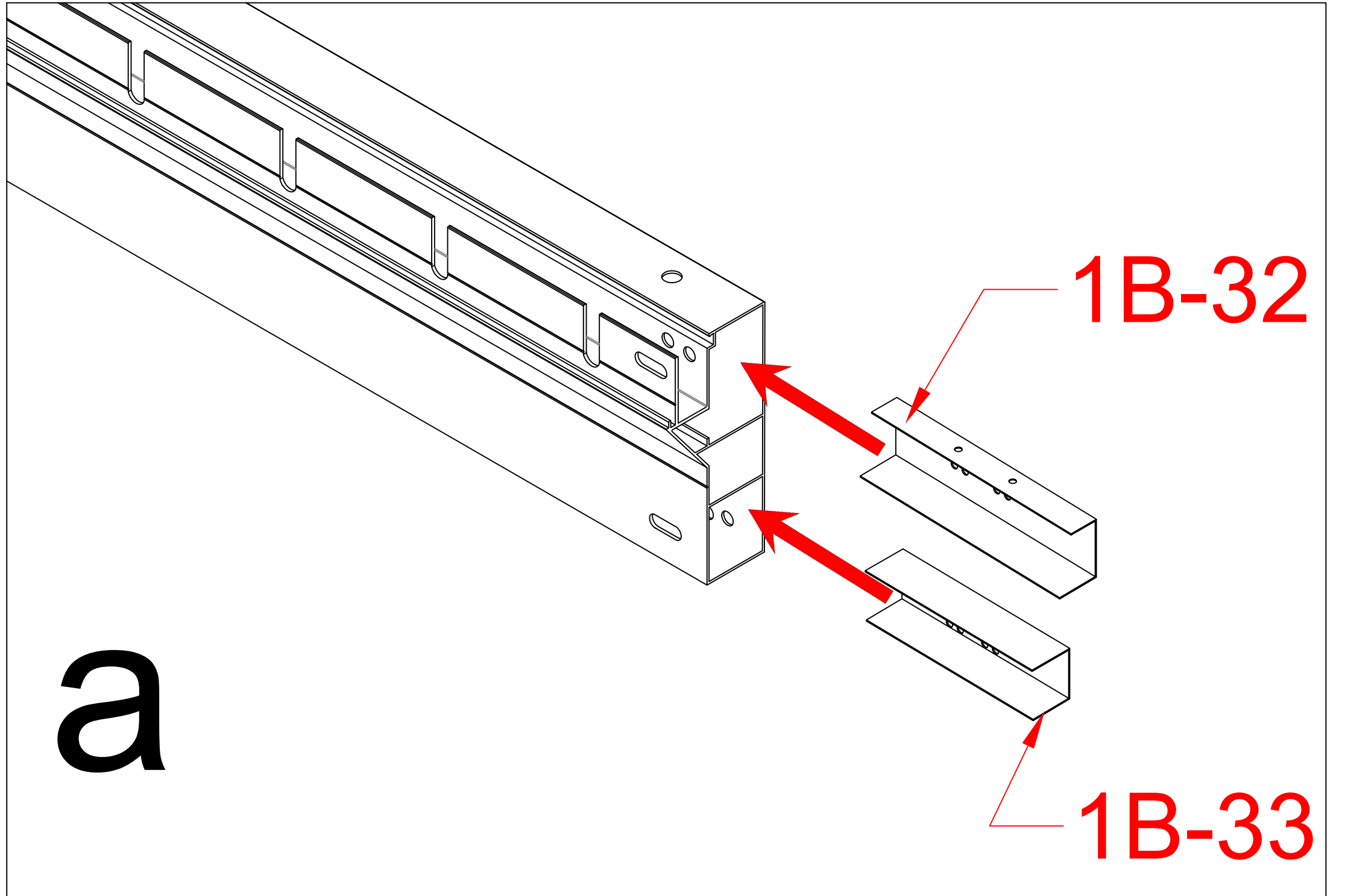
|         |  |    |
|---------|--|----|
| 1B-38   |  | 4  |
| 1B-36   |  | 12 |
| 1B-32   |  | 1  |
| 1B-33   |  | 1  |
| 1B-02-2 |  | 1  |



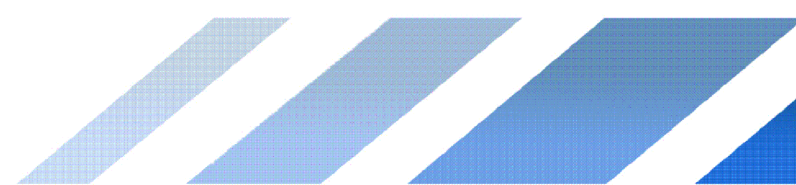


|       |   |   |
|-------|---|---|
| 1B-42 | <br>M10*20 | 8 |
| 1B-40 |            | 2 |
| 1B-41 |            | 2 |
| 1B-04 |            | 2 |
| 1B-39 |            | 8 |

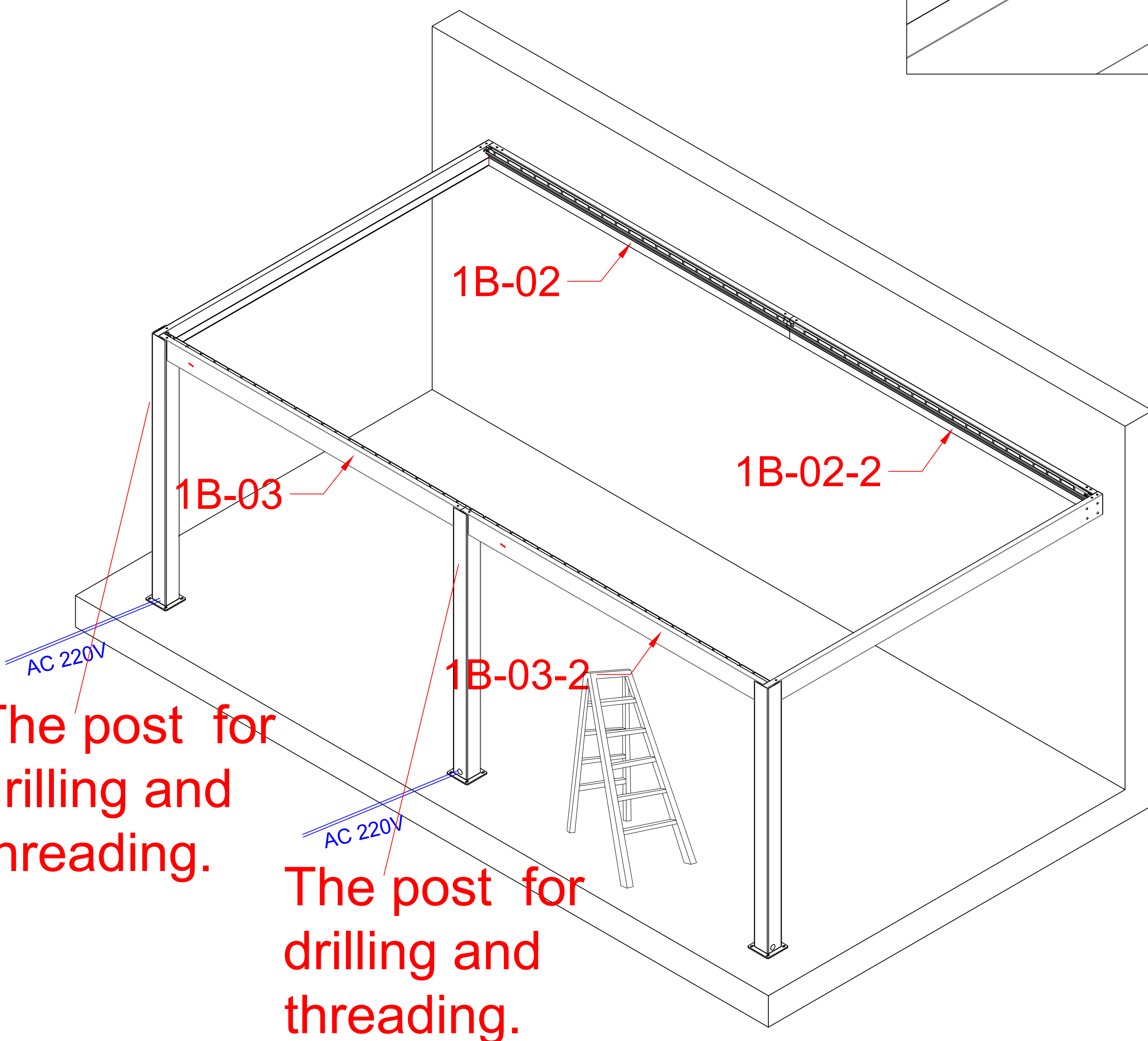
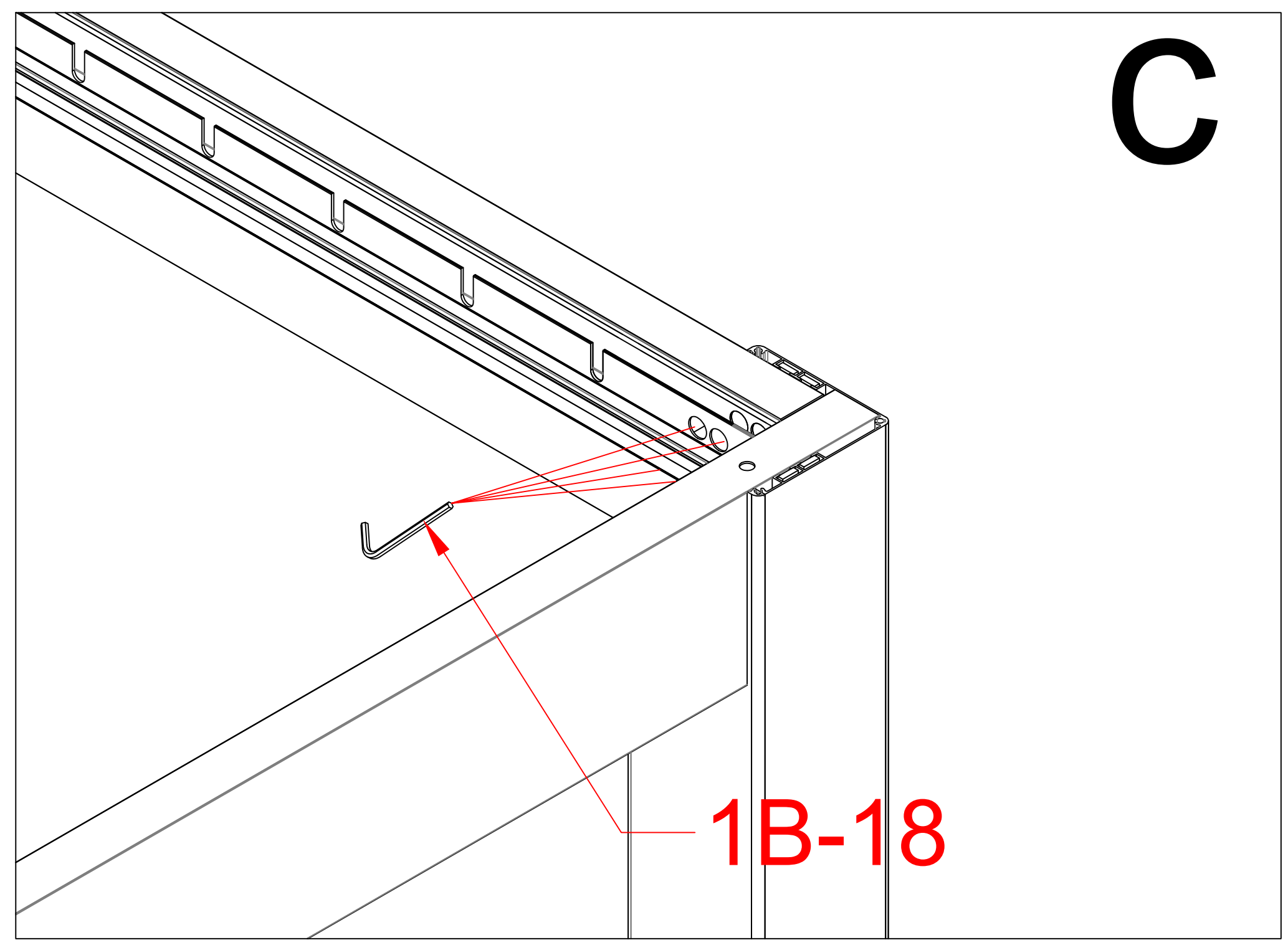
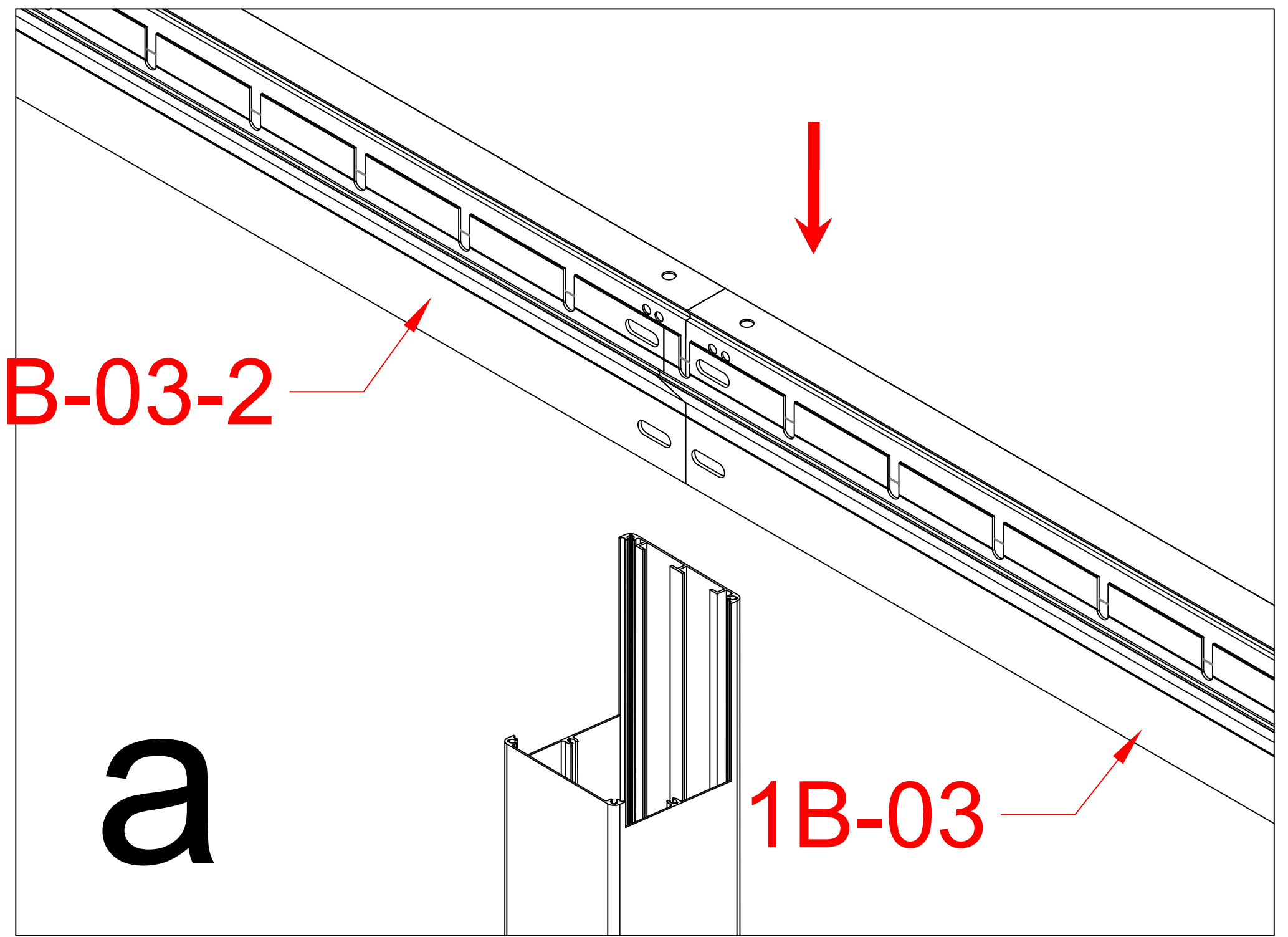
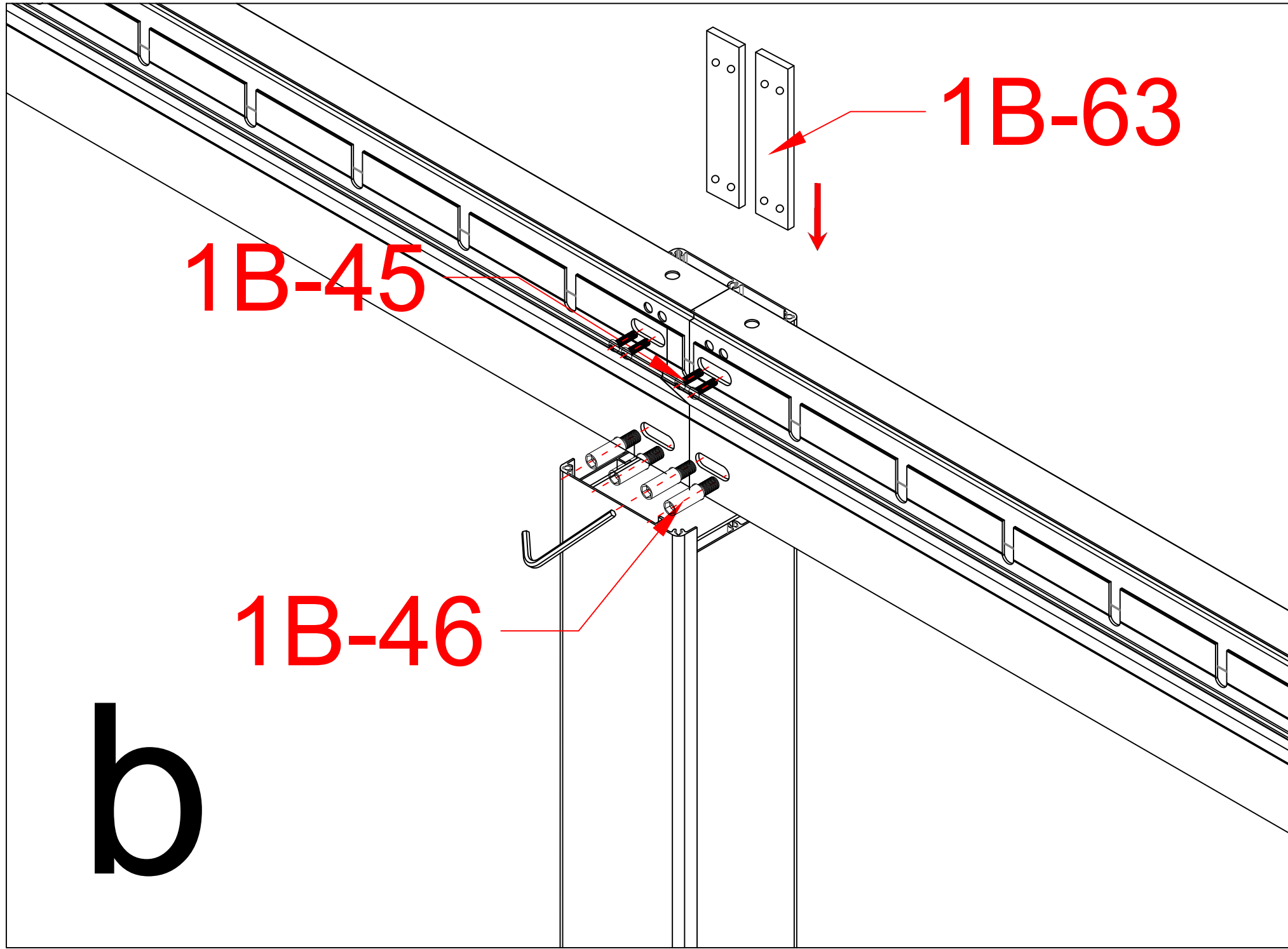




|         |  |   |
|---------|--|---|
| 1B-03   |  | 1 |
| 1B-03-2 |  | 1 |
| 1B-32   |  | 1 |
| 1B-33   |  | 1 |

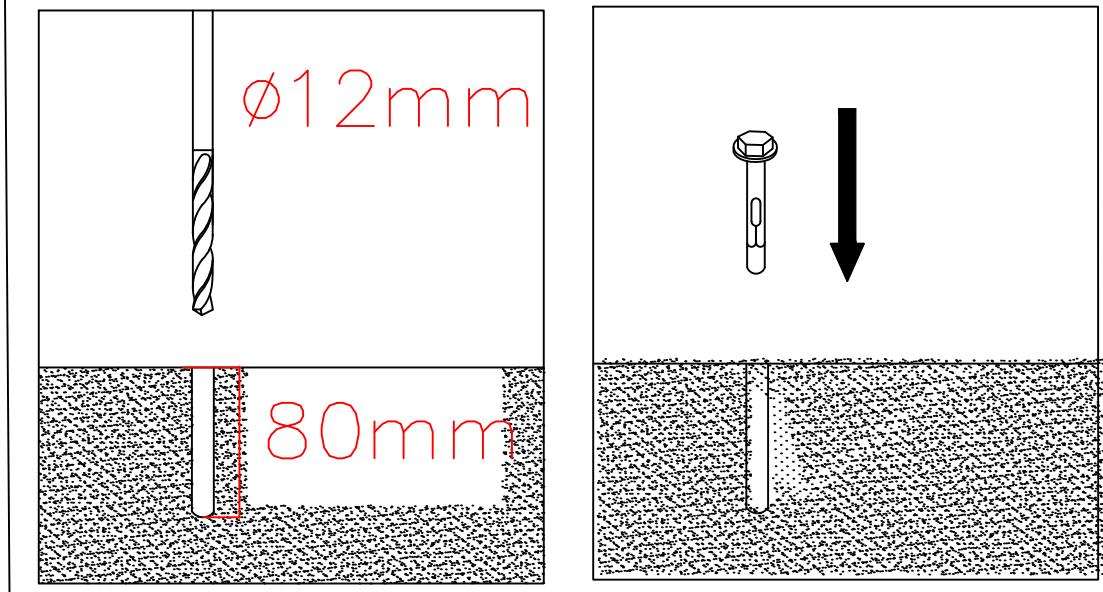
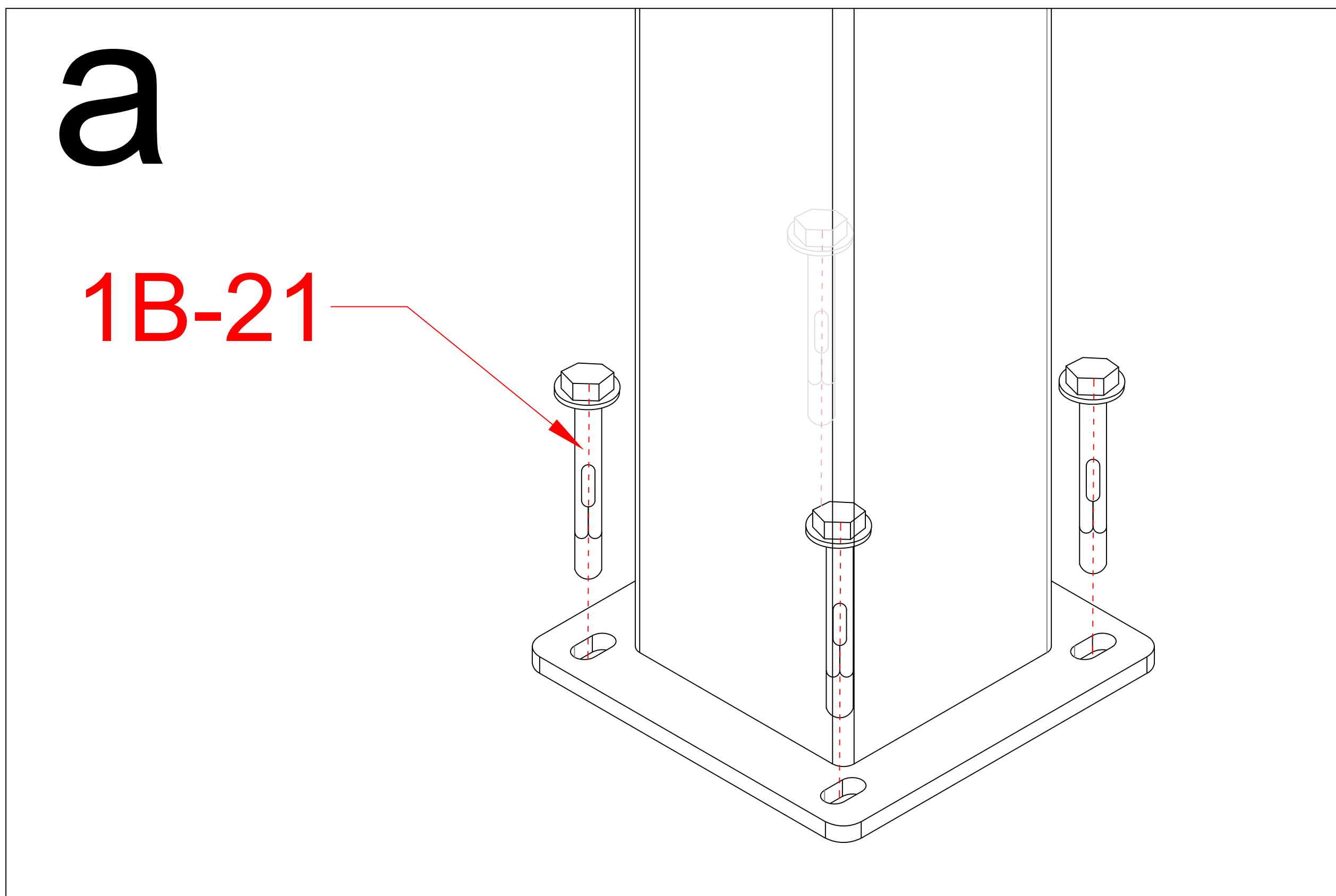




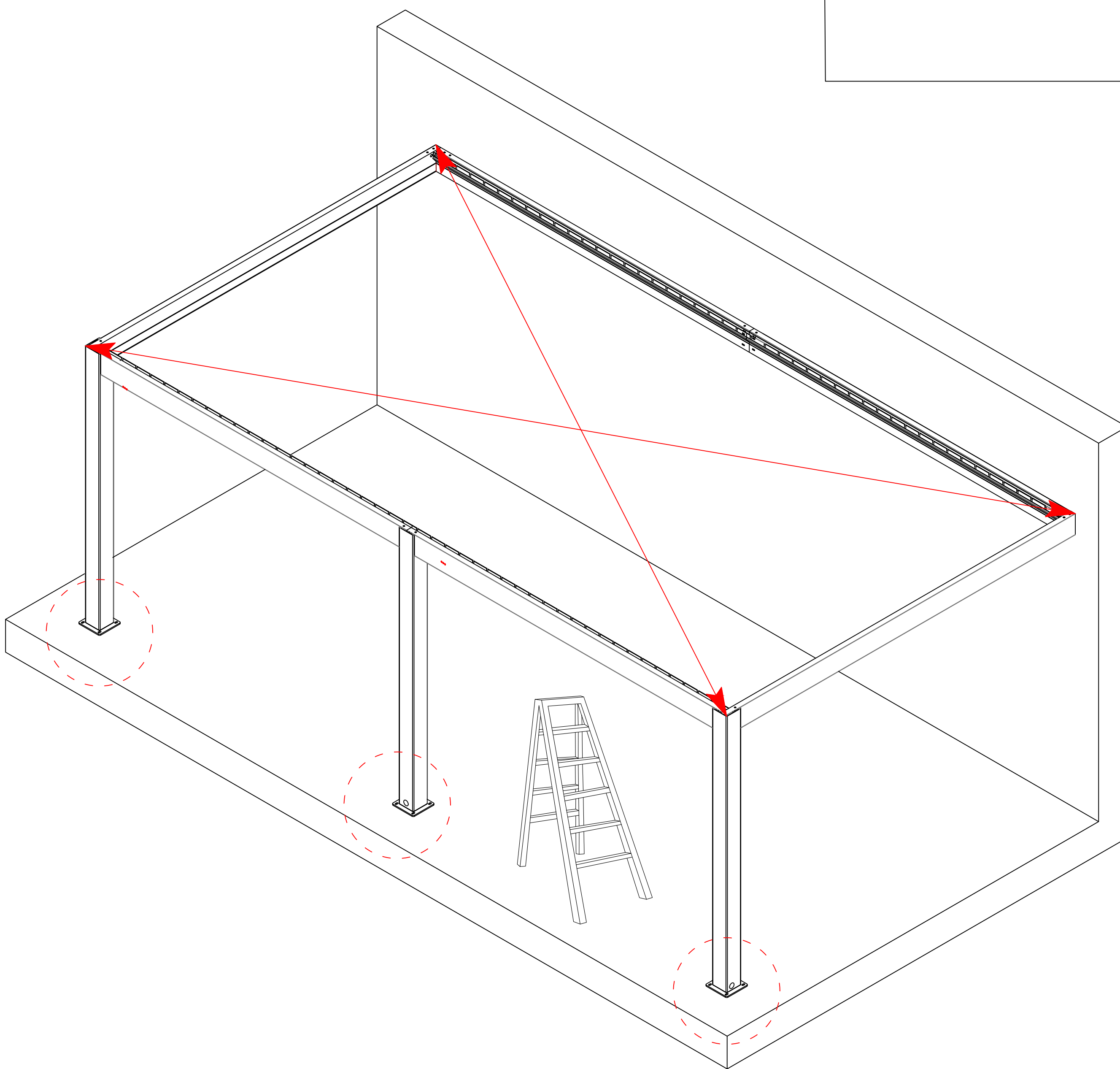
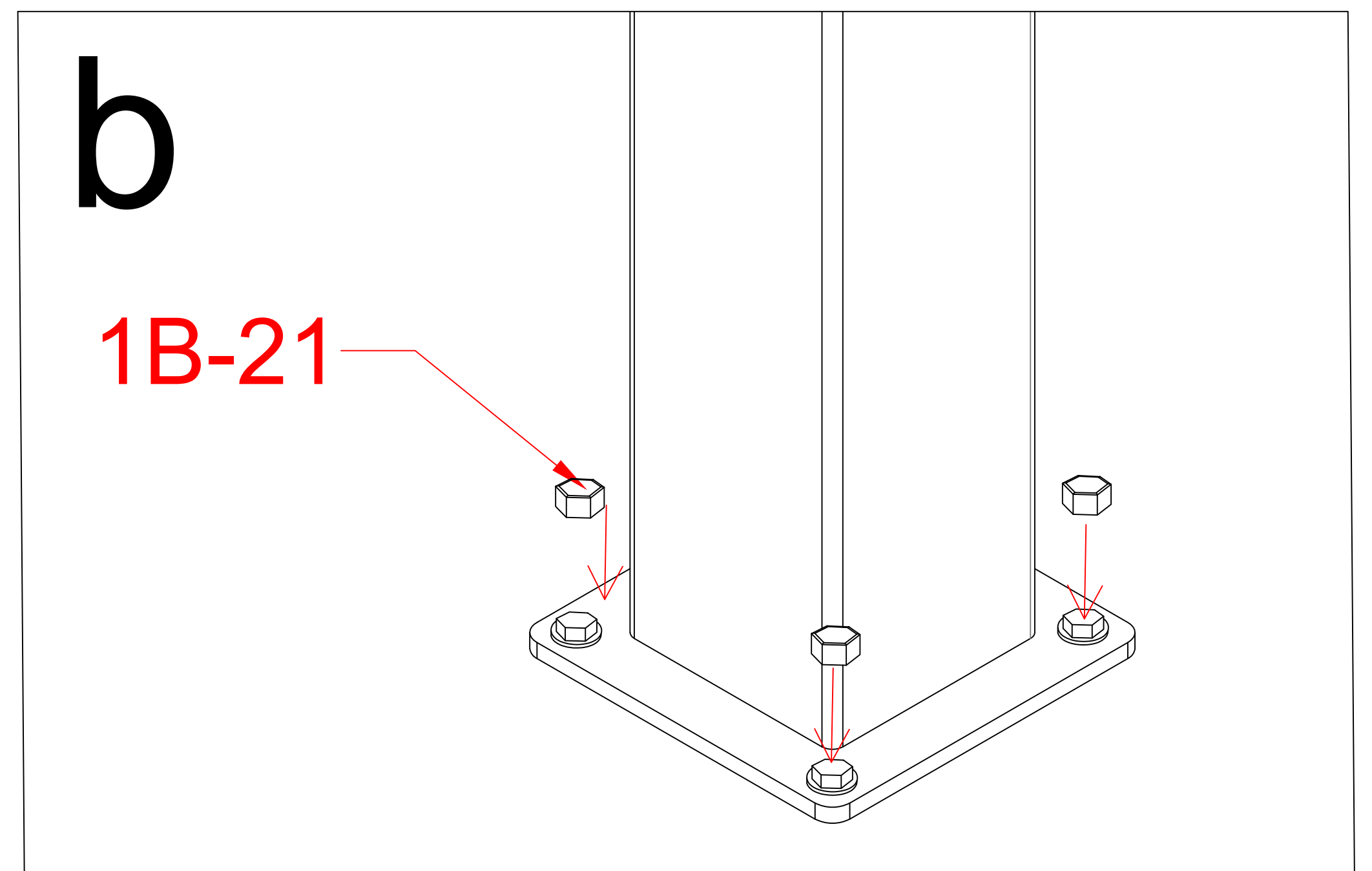


|         |  |   |
|---------|--|---|
| 1B-63   |  | 2 |
| 1B-46   |  | 4 |
| 1B-45   |  | 4 |
| 1B-03   |  | 1 |
| 1B-03-2 |  | 1 |

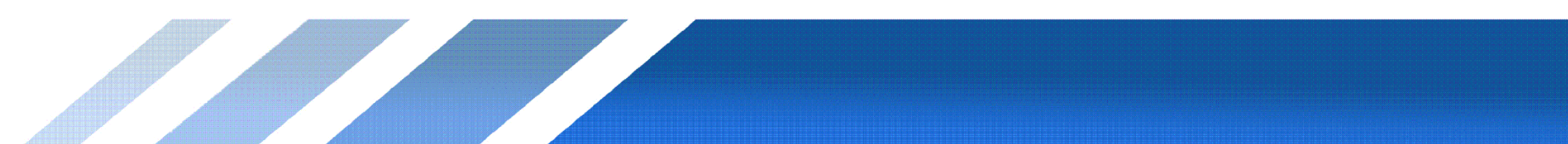




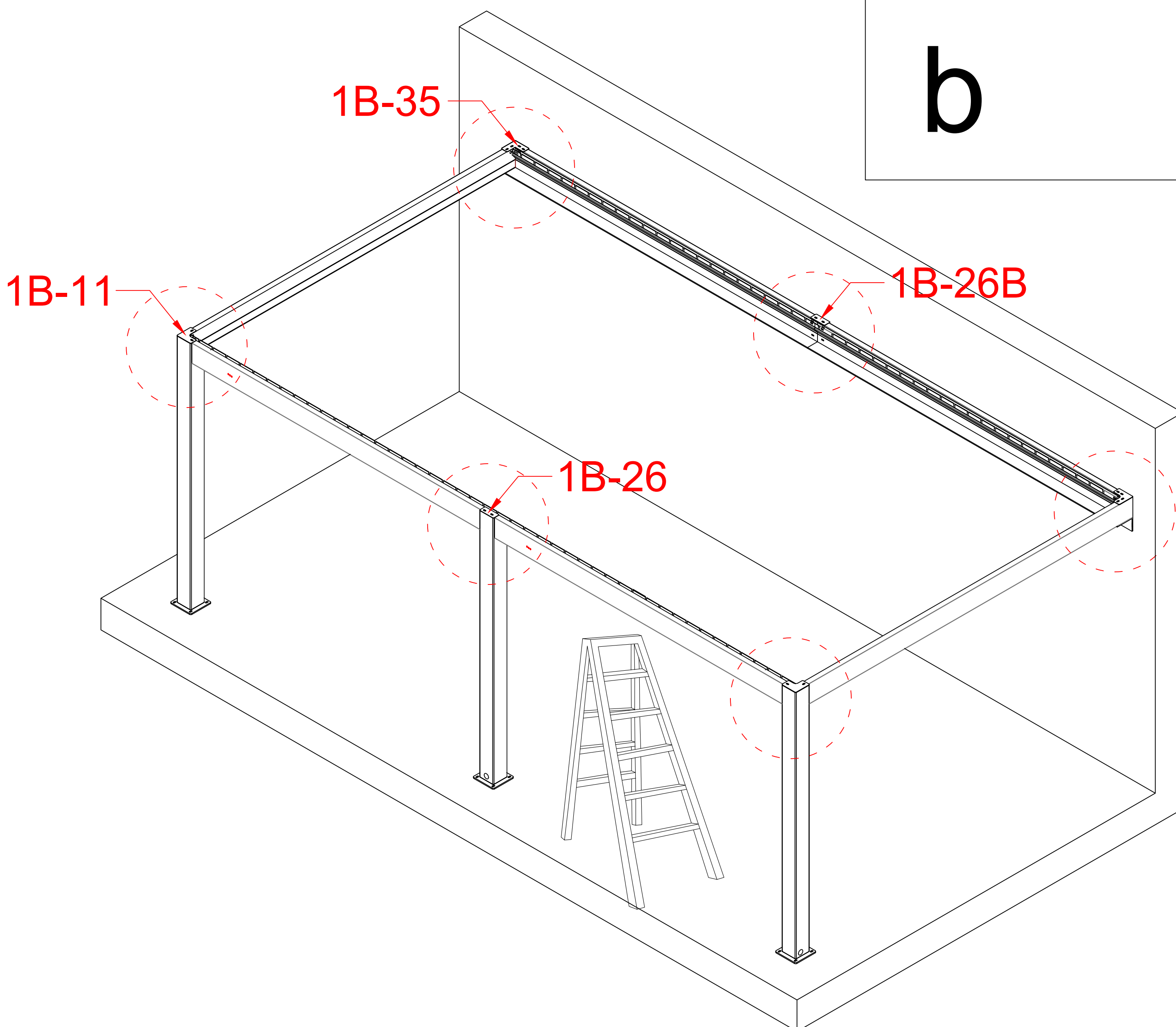
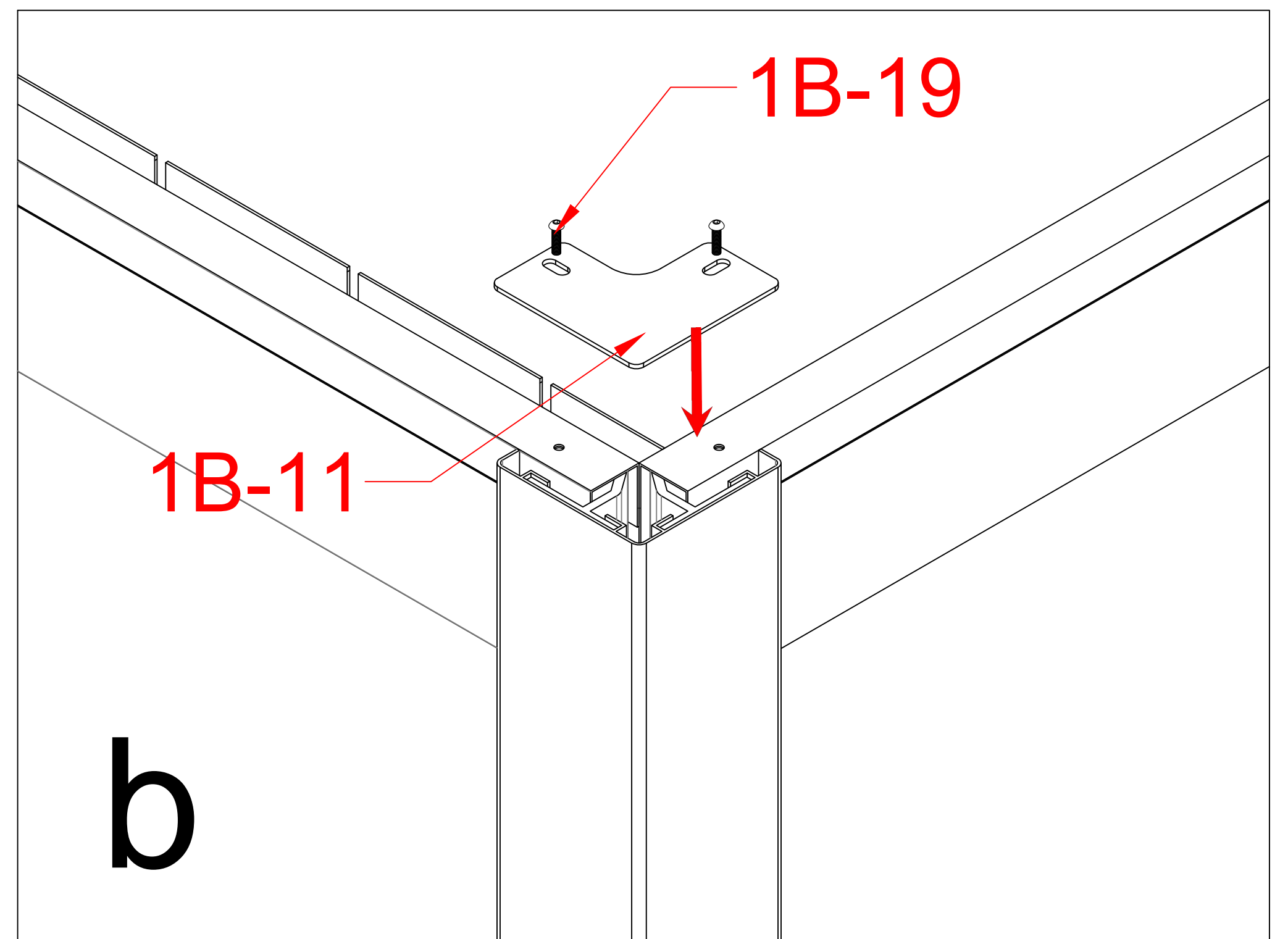
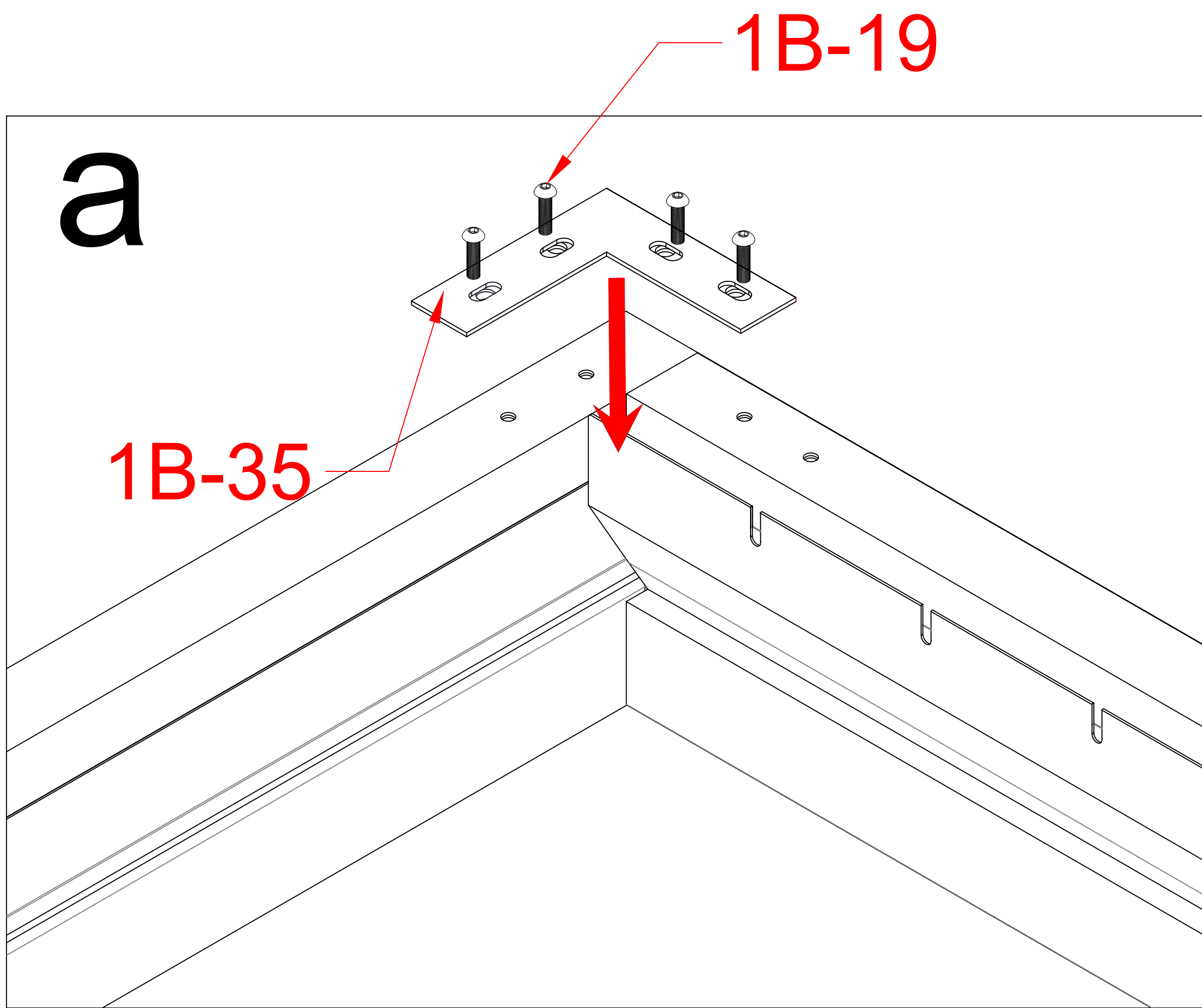
Pls measure the diagonal size and make sure the diagonal size keeps same before screw 1B-21 mounted. If not, pls adjust it to same size.

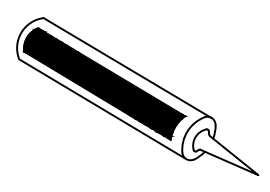
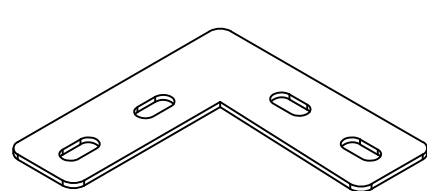
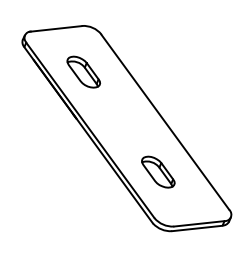
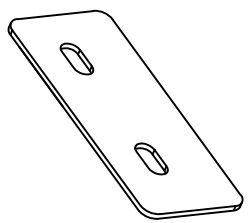
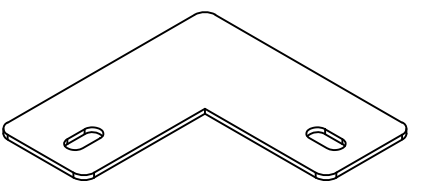
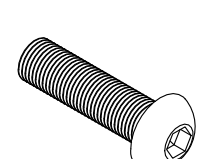


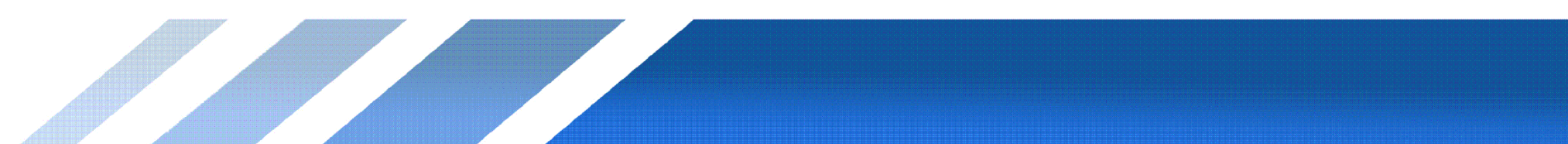
|       |  |    |
|-------|--|----|
| 1B-21 |  | 12 |
|-------|--|----|



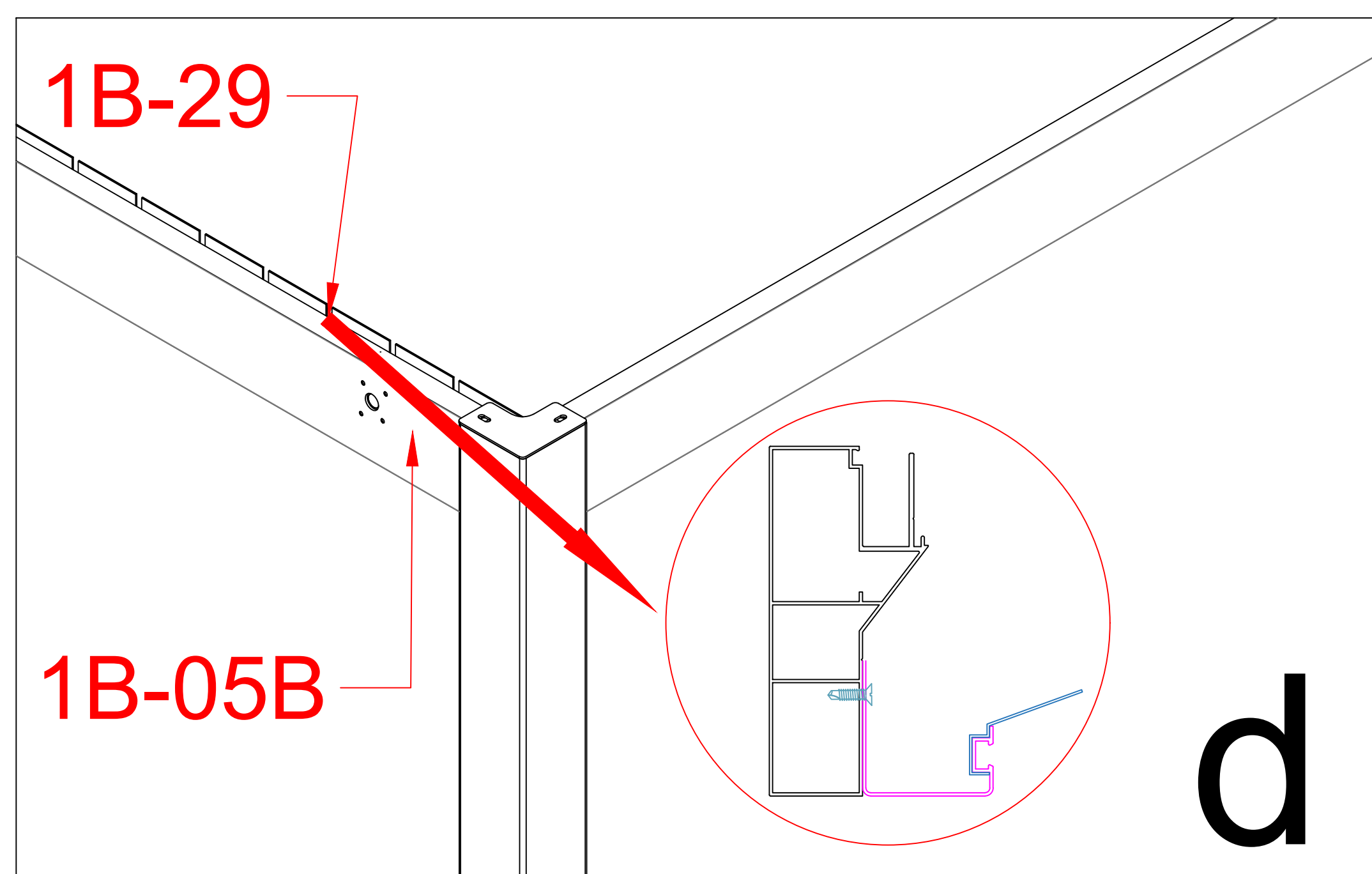
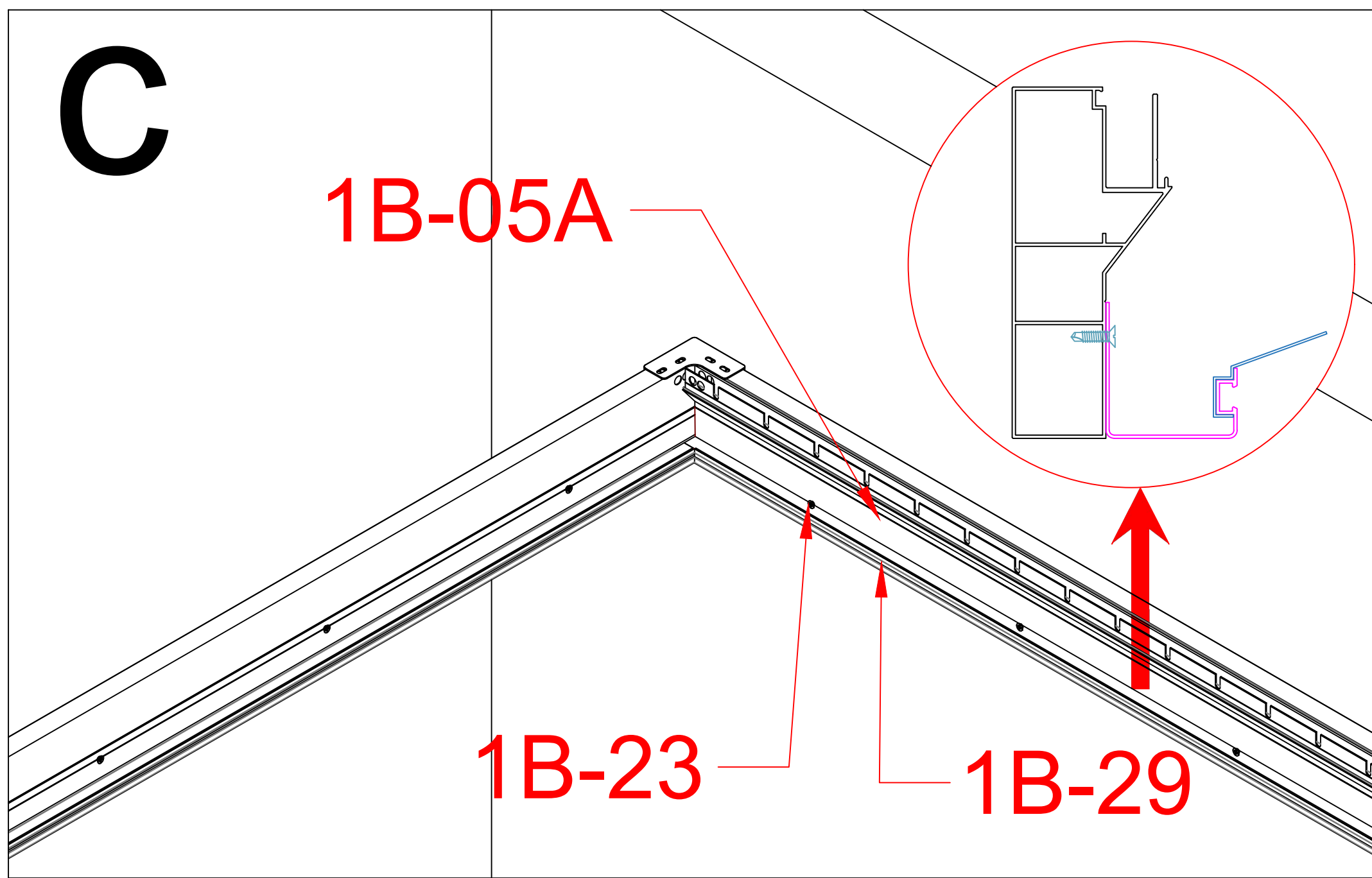
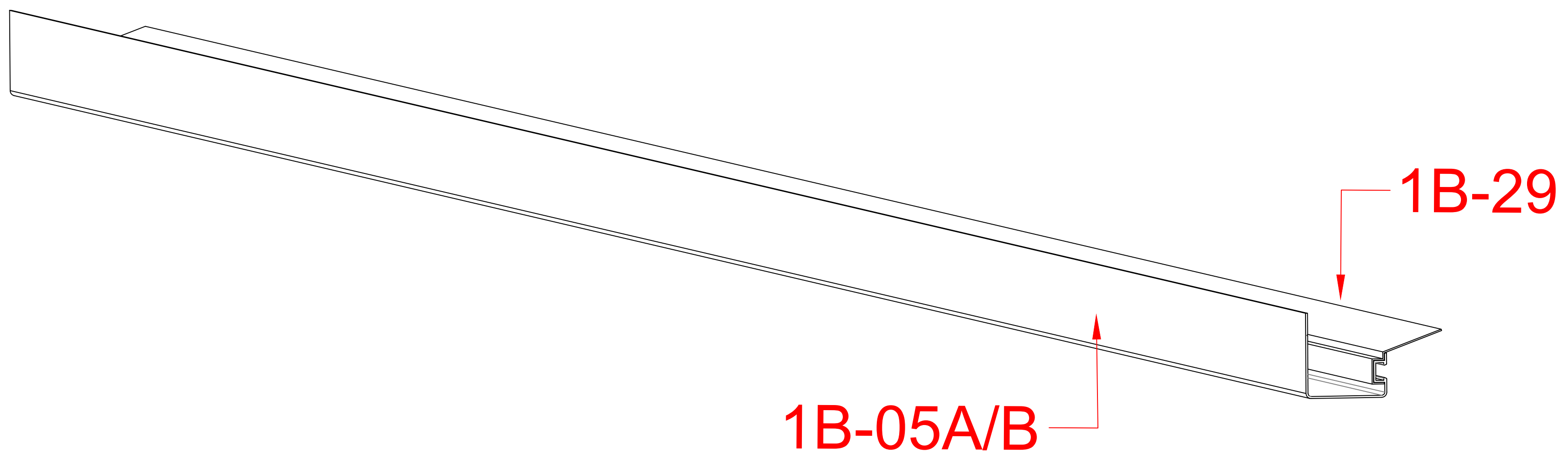
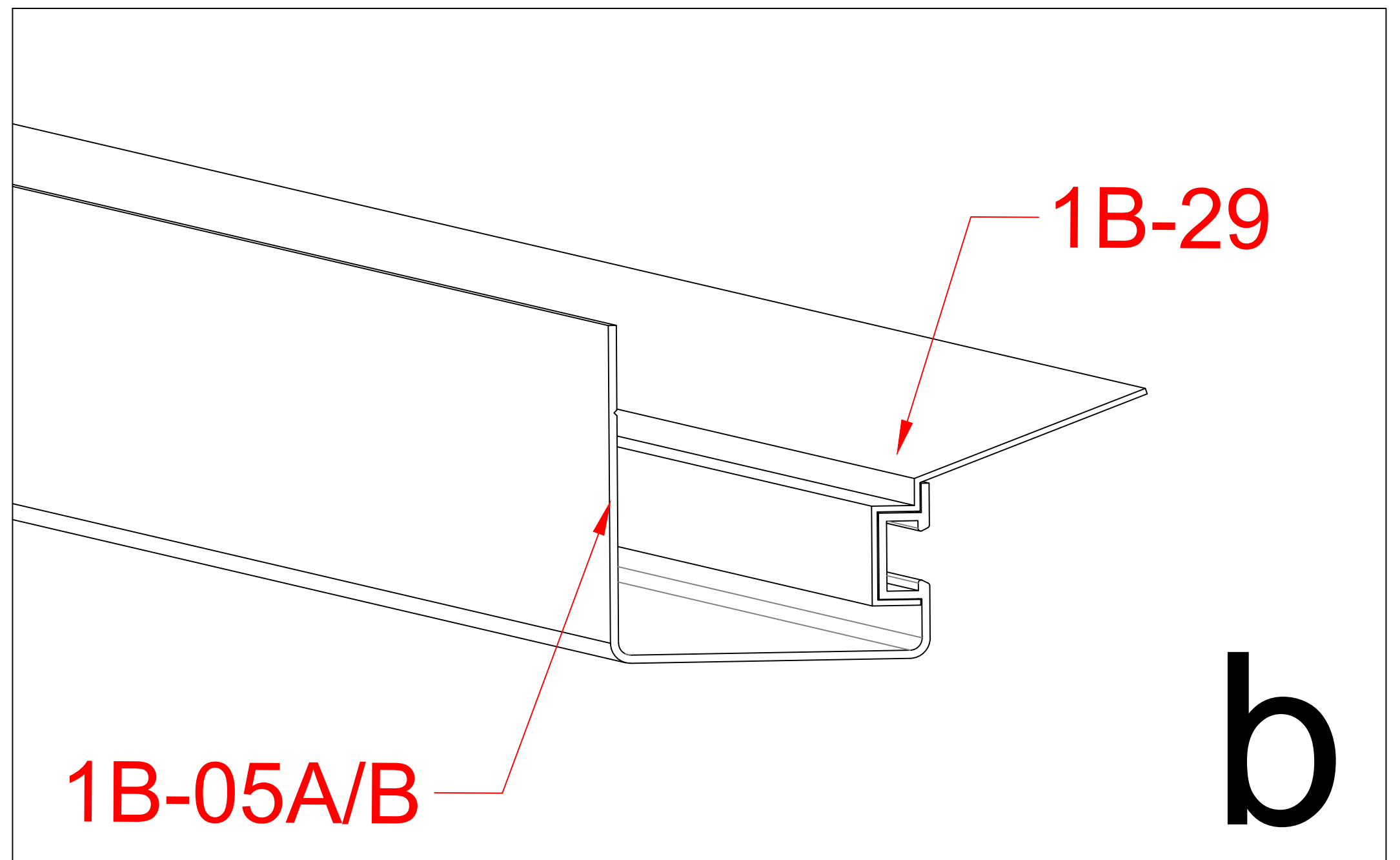
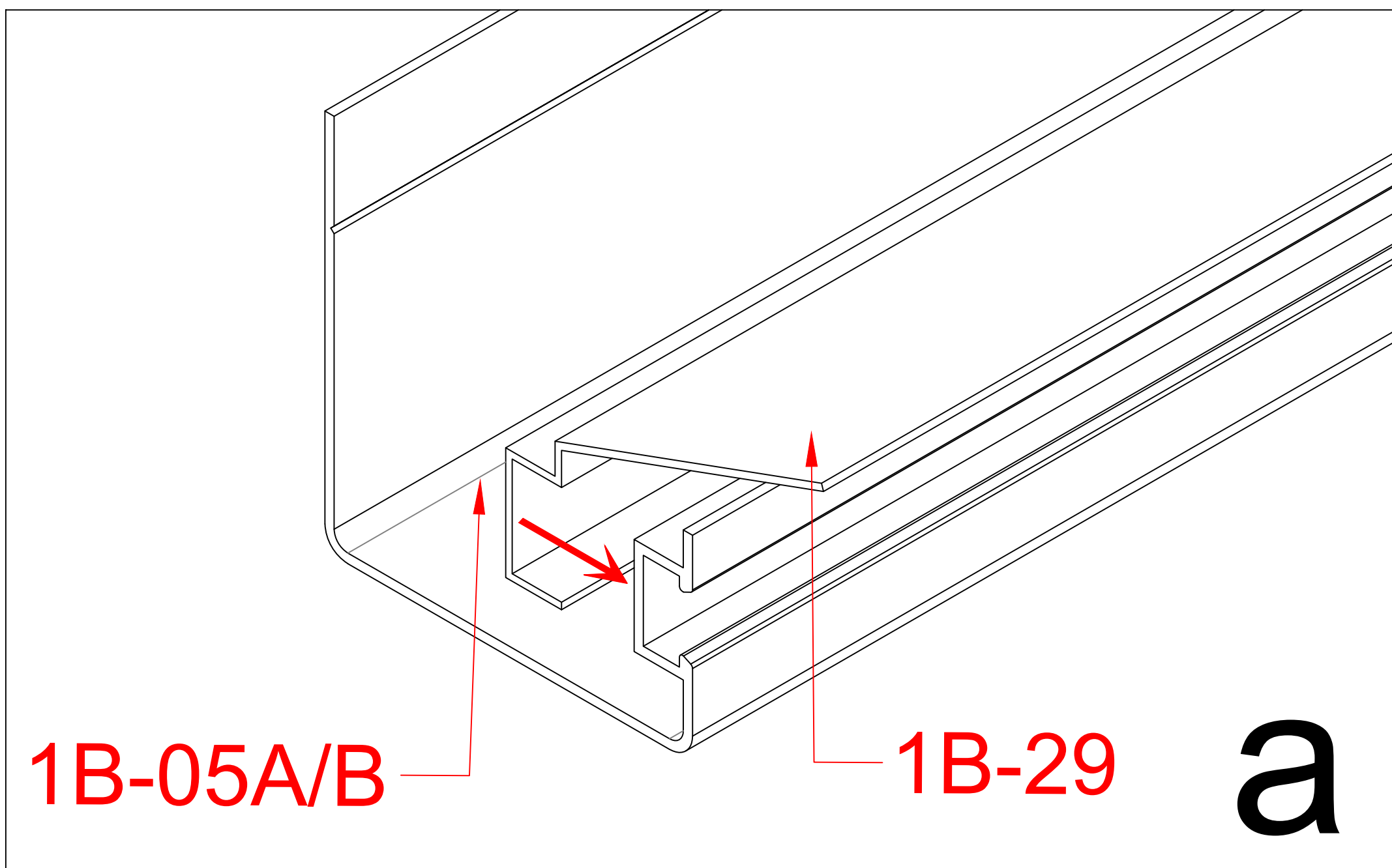


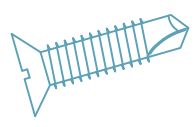


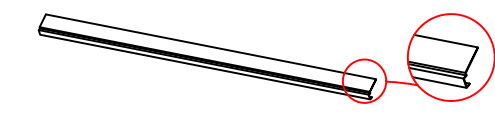


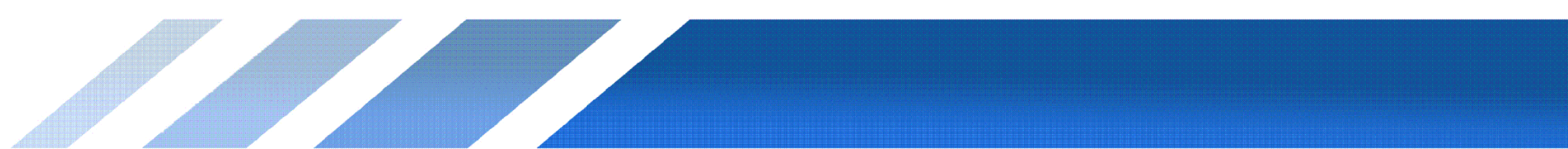
|        |   |    |
|--------|---|----|
| 1B-24  |  | 1  |
| 1B-35  |  | 2  |
| 1B-26  |  | 1  |
| 1B-26B |  | 1  |
| 1B-11  |  | 2  |
| 1B-19  |  | 16 |



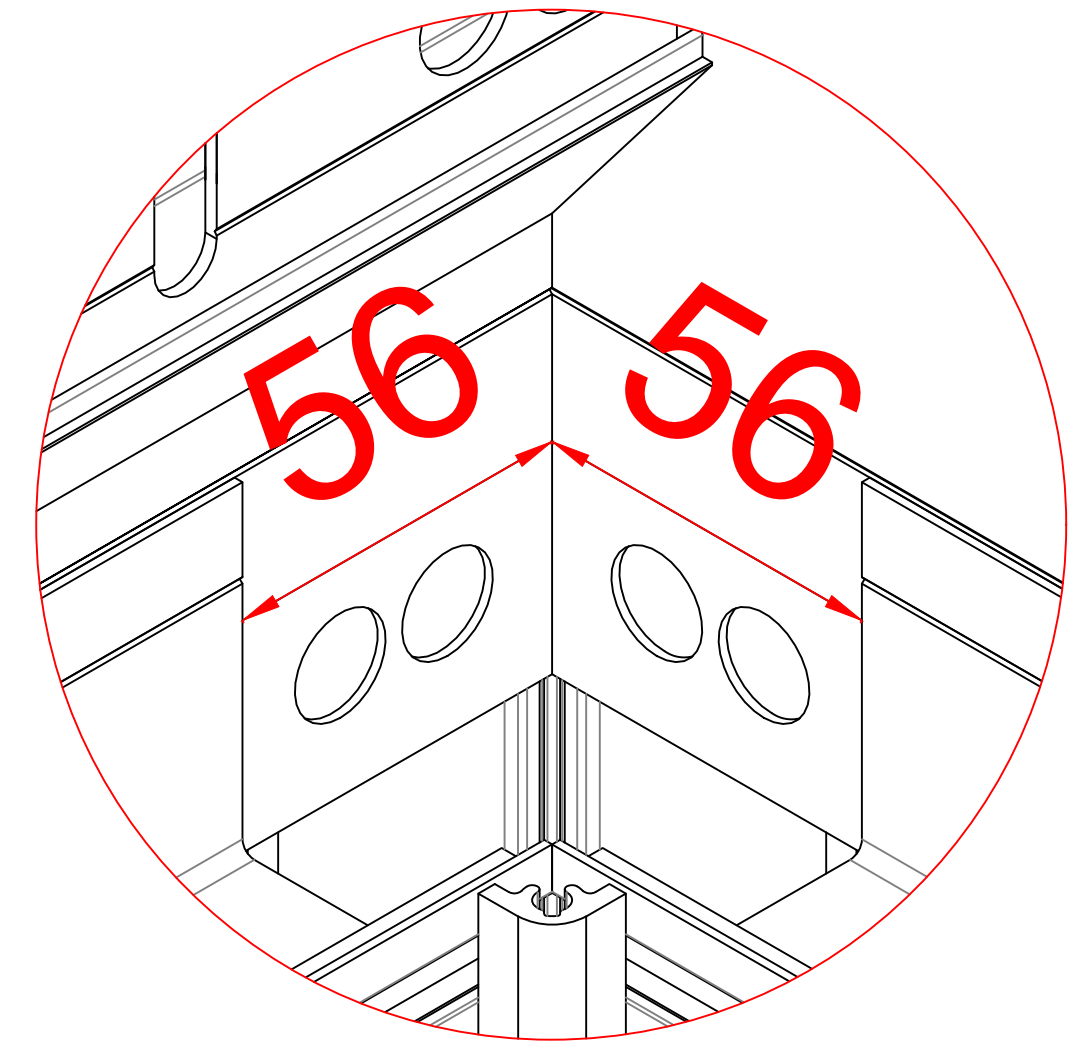
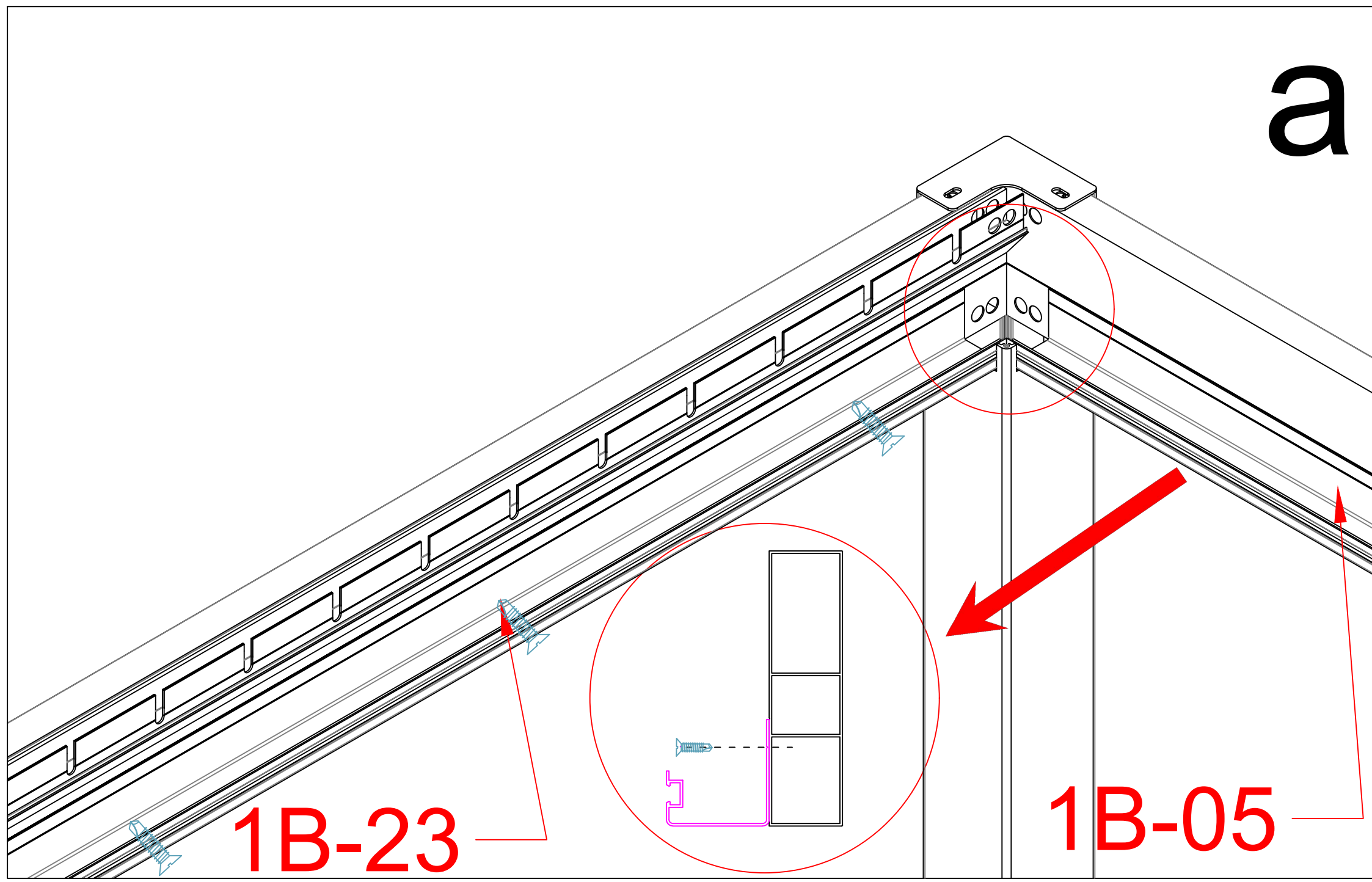




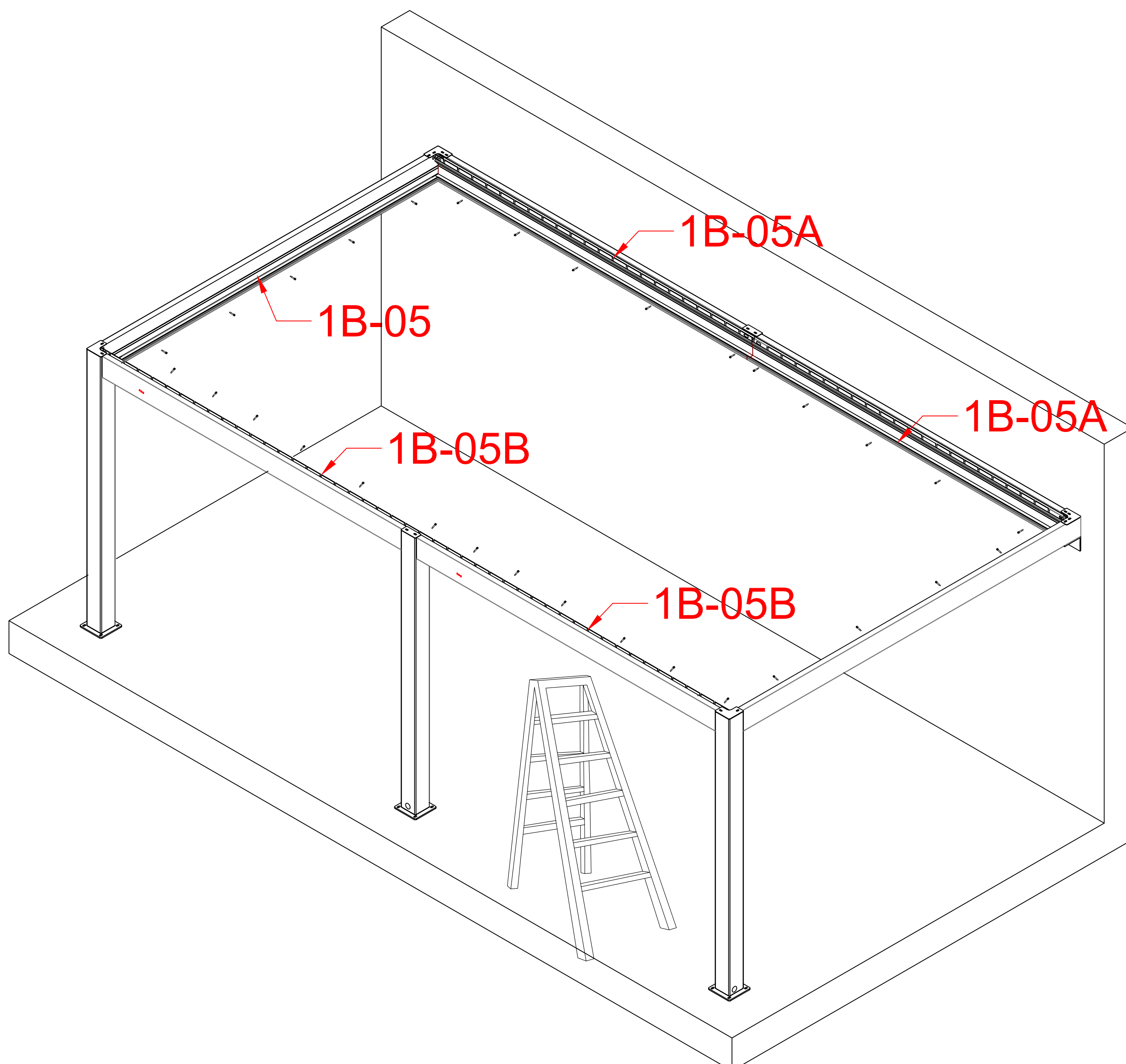
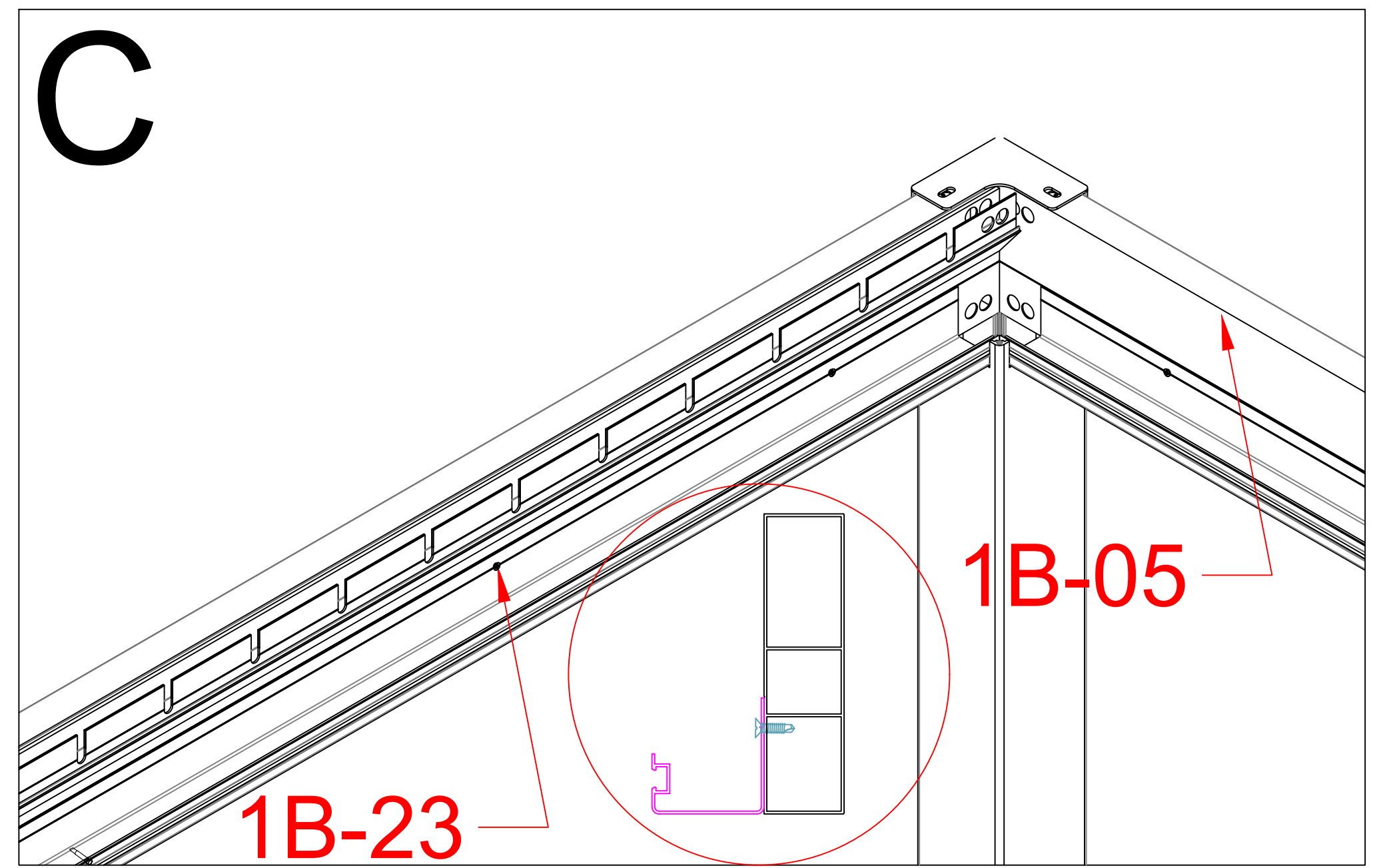
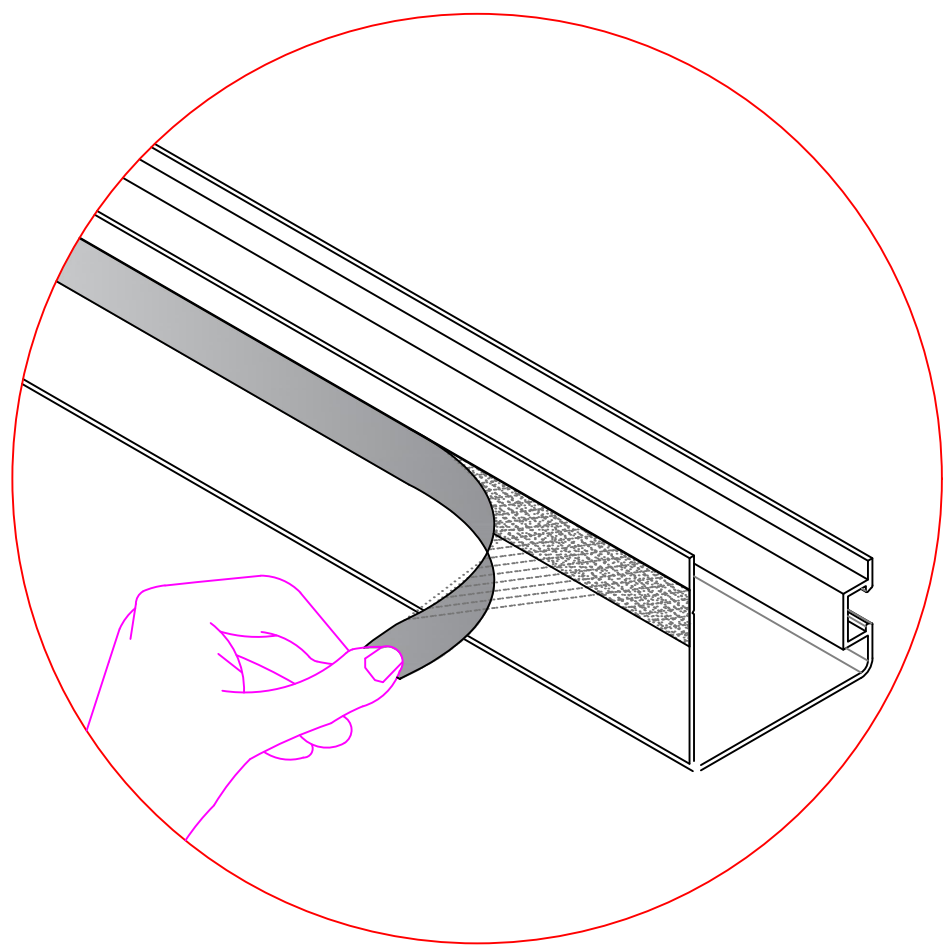
|        |   |    |
|--------|---|----|
| 1B-23  |  | 14 |
| 1B-05A |  | 2  |
| 1B-05B |  | 2  |
| 1B-29  |  | 4  |

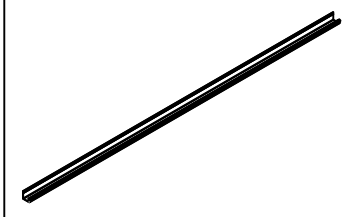
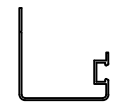
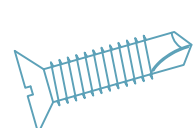


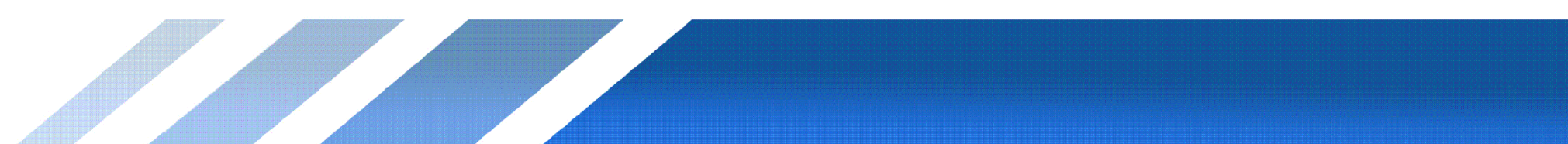




**Warning:**  
Before installation, tear off the protective film of the tape on the back side of Gutter.



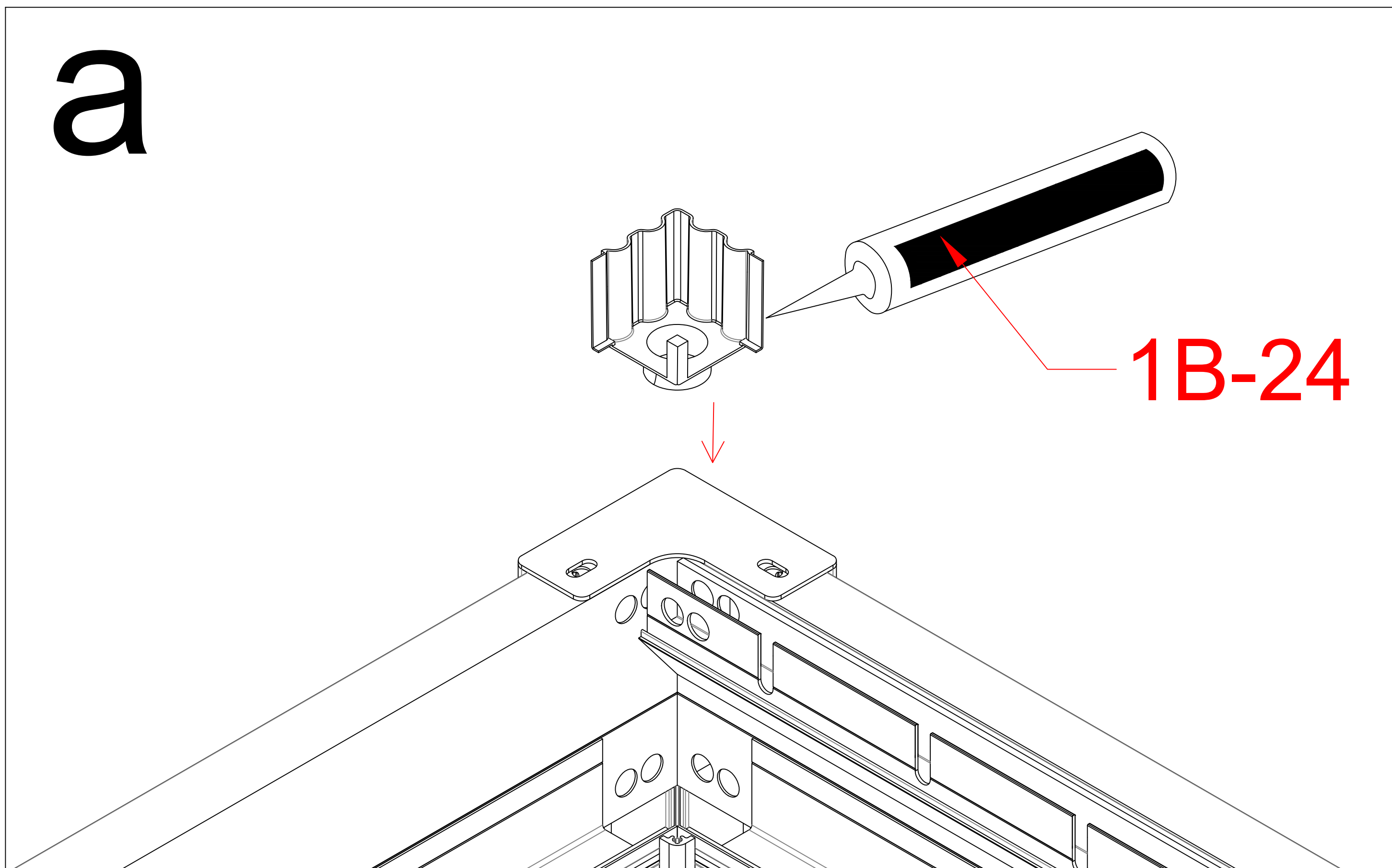
|       |   |   |   |
|-------|---|---|---|
| 1B-05 |  |  | 2 |
| 1B-23 |  |   | 8 |



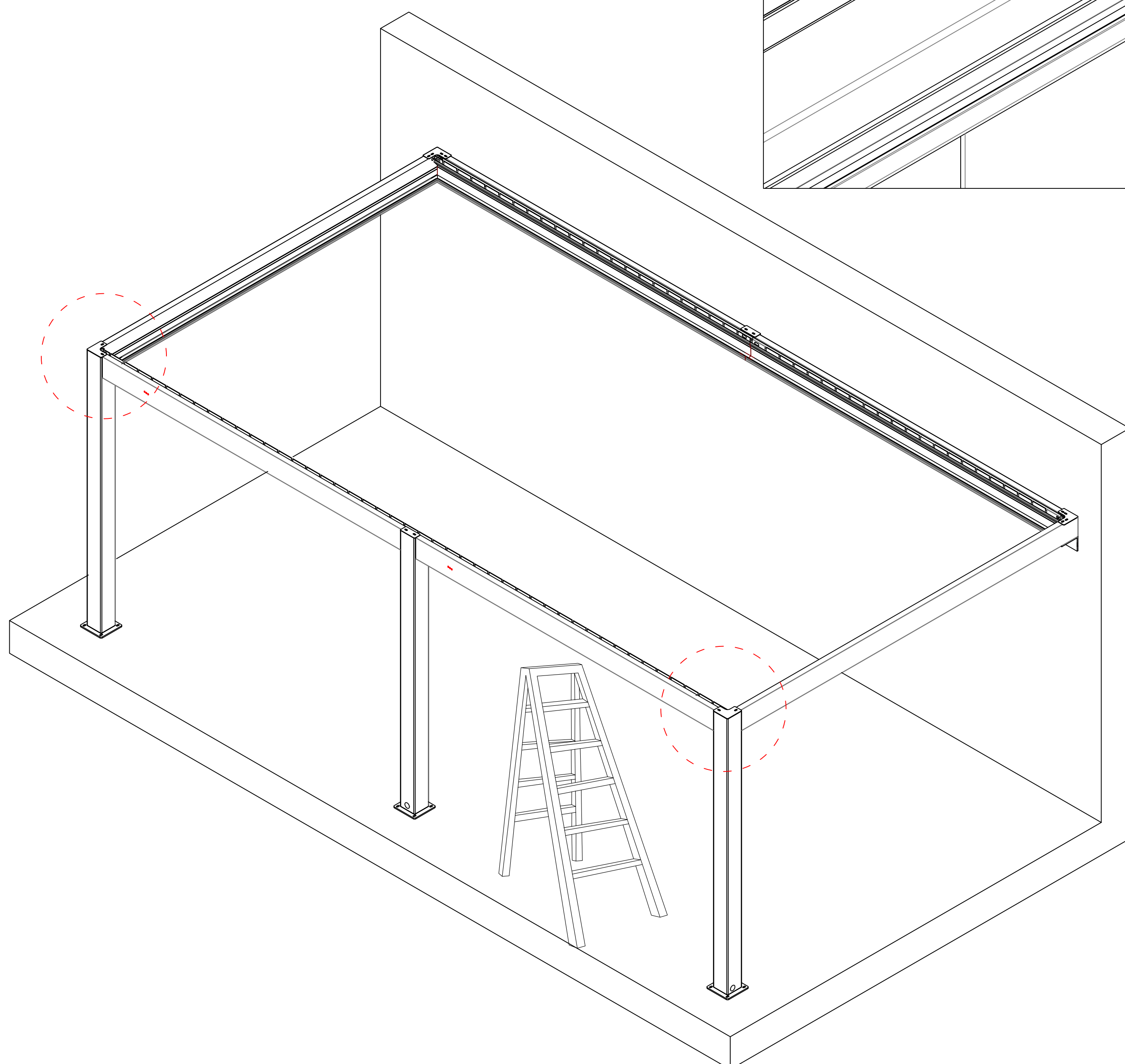
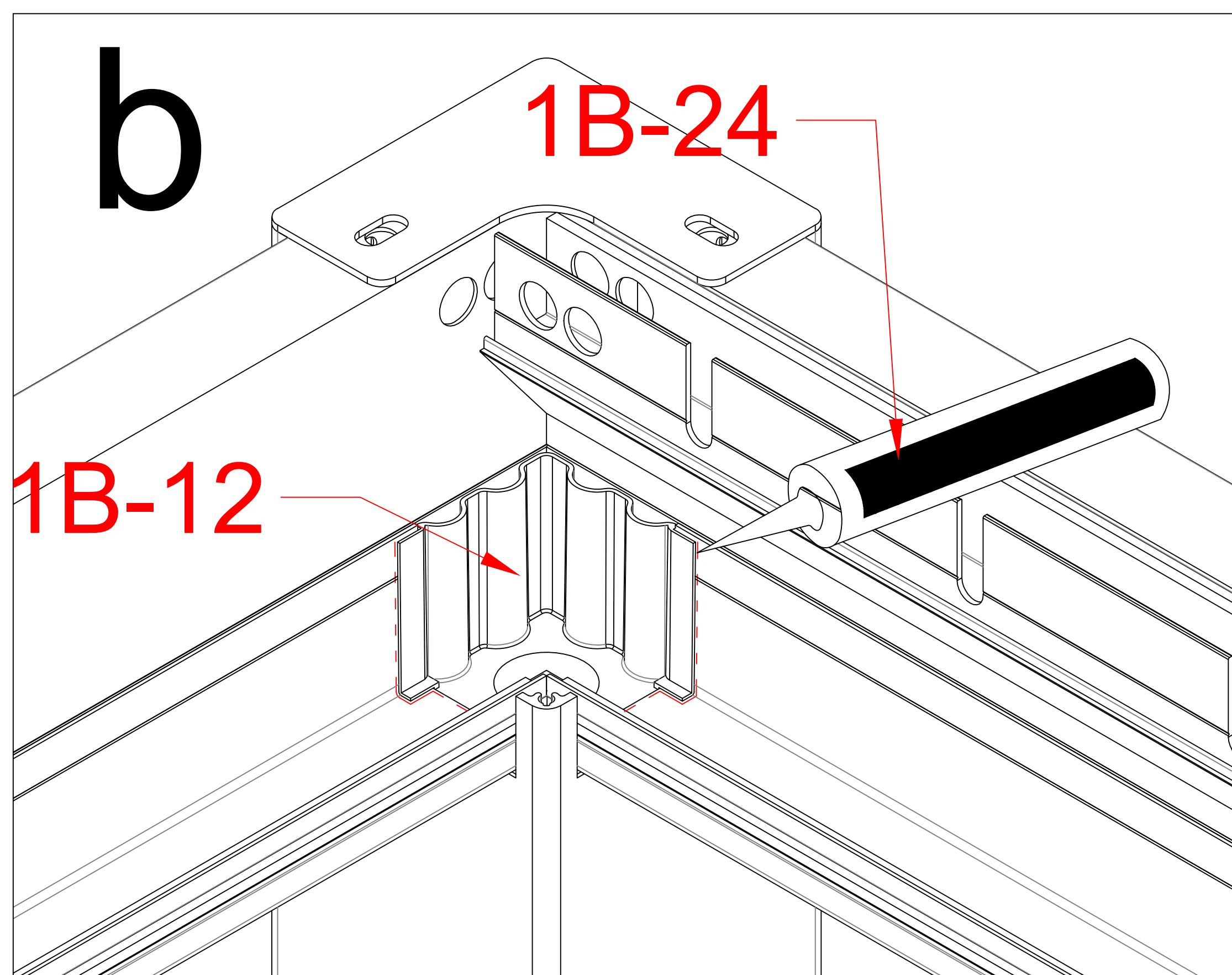




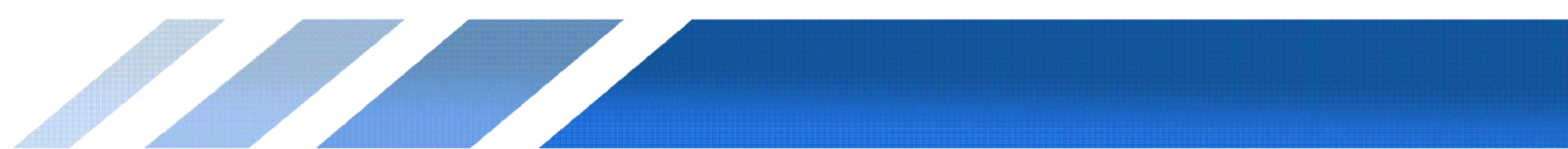
**a**



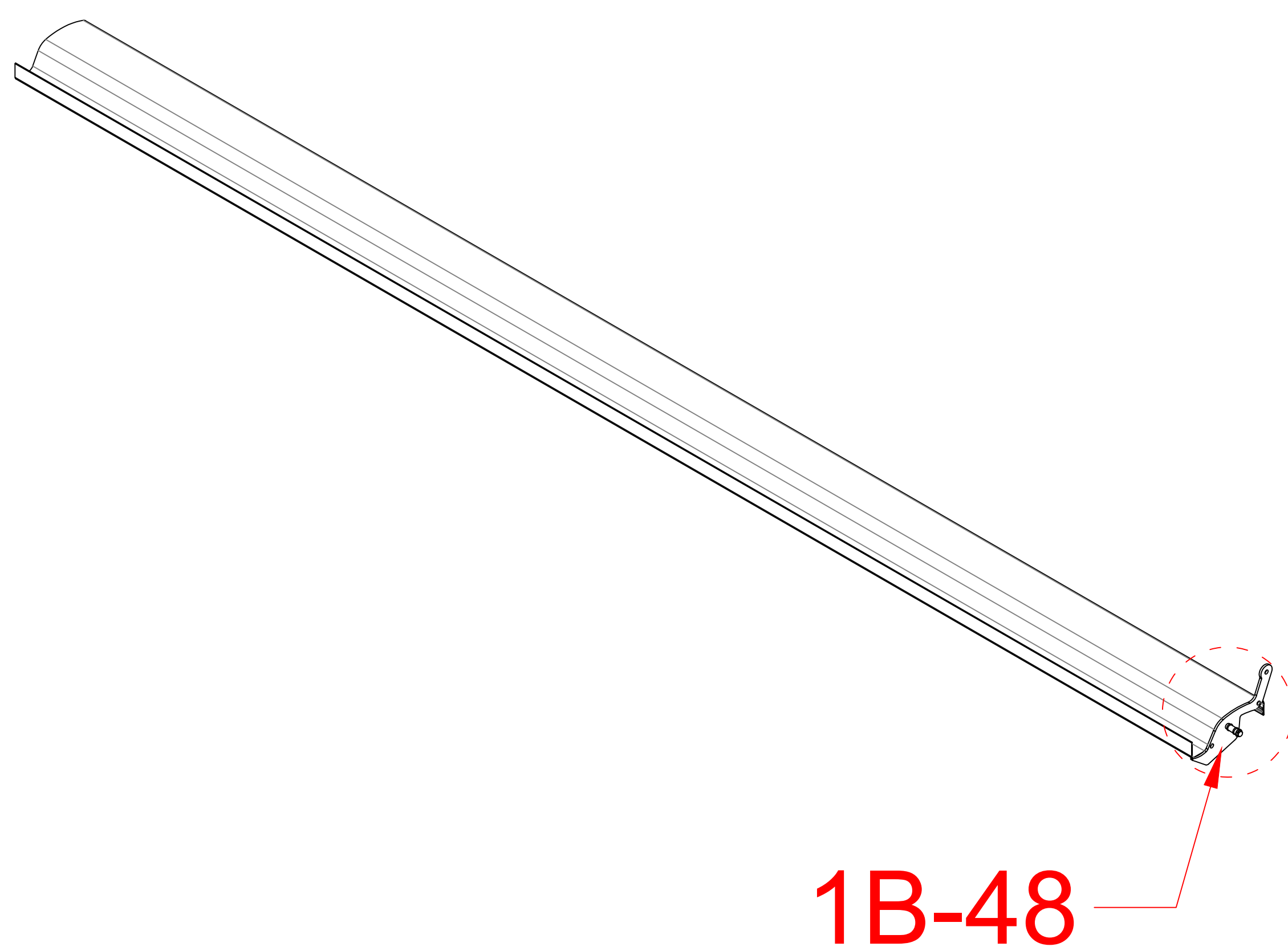
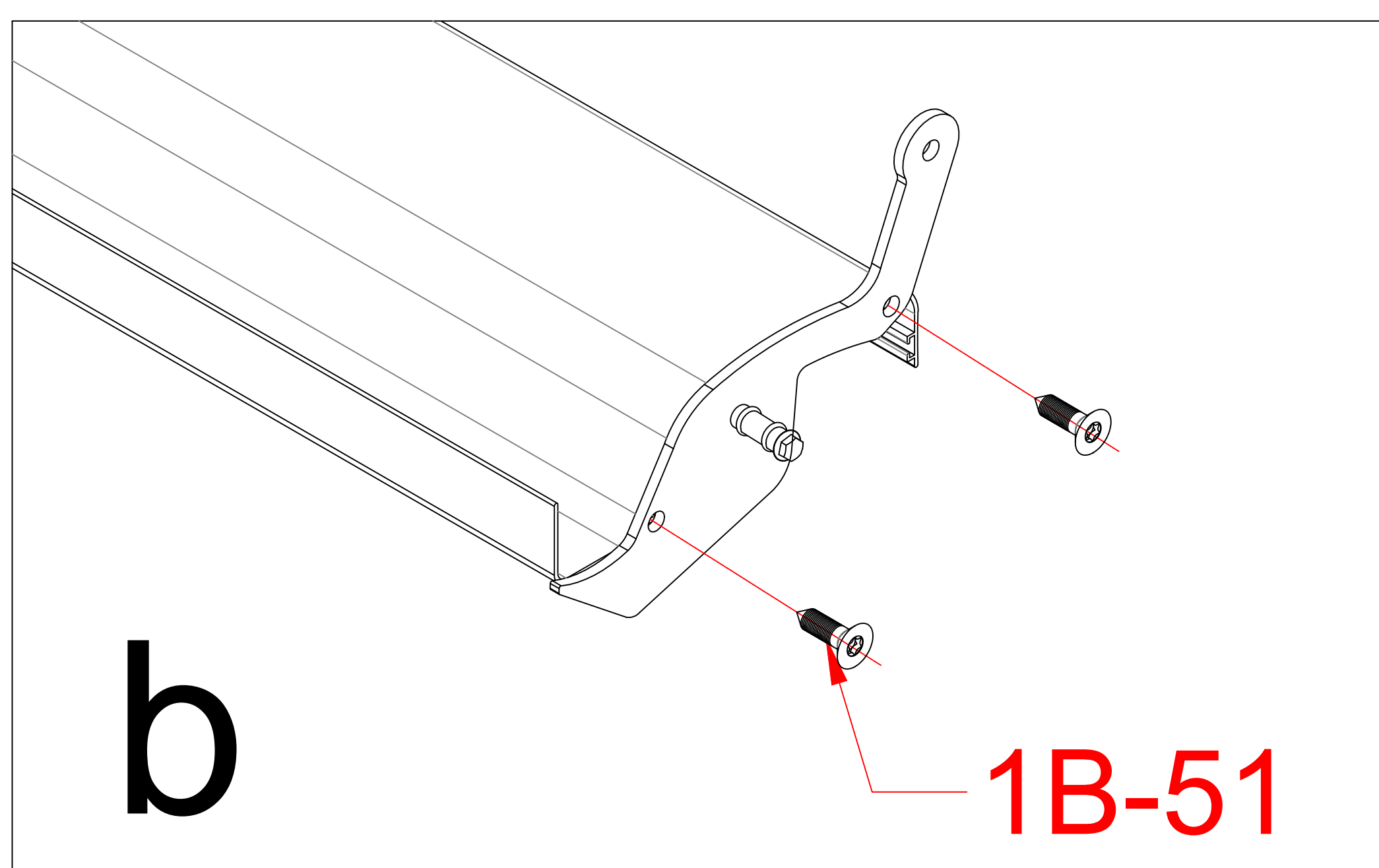
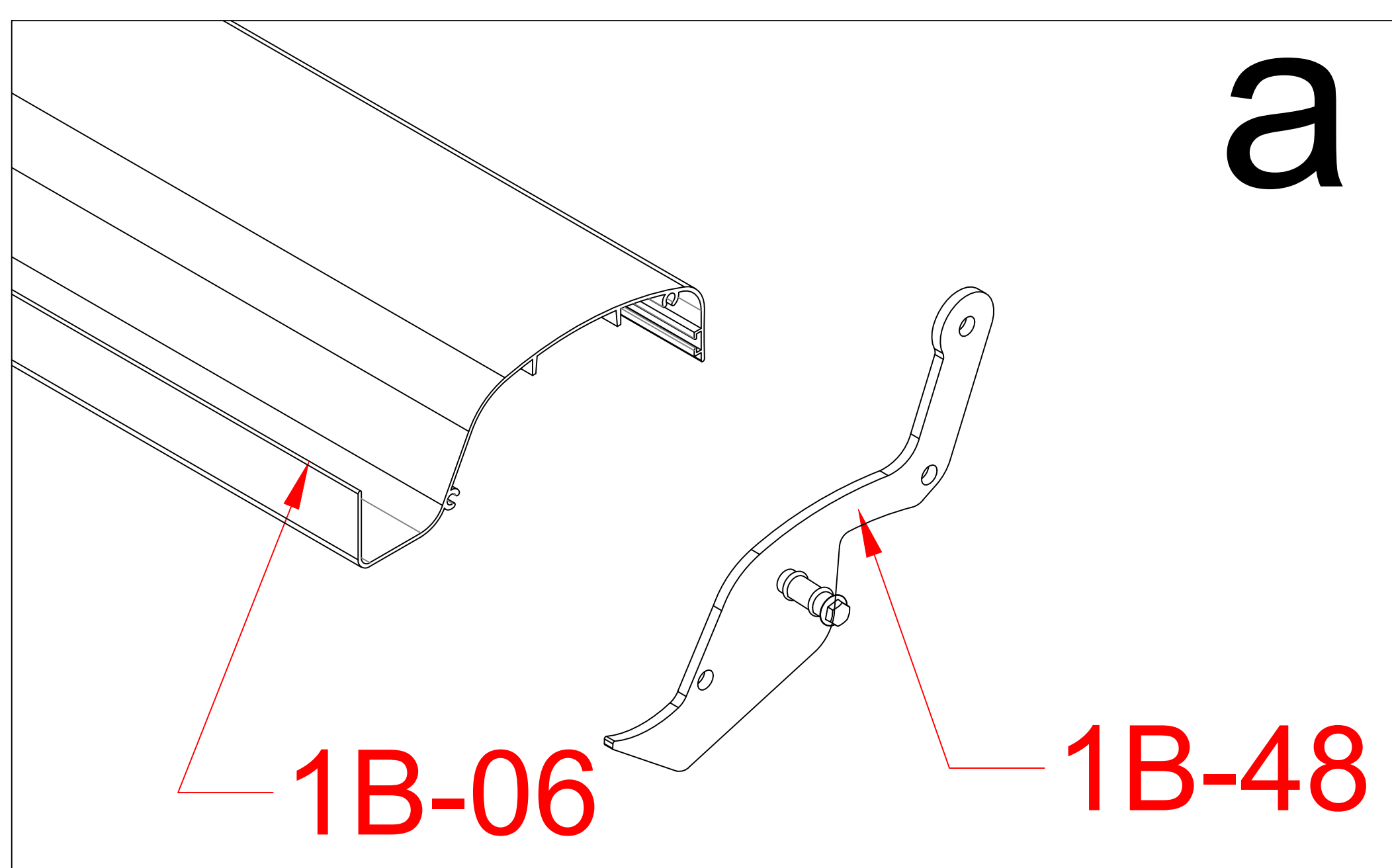
**b**

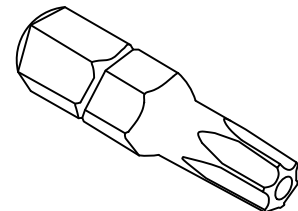
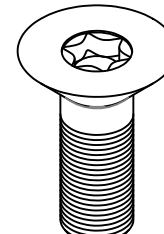
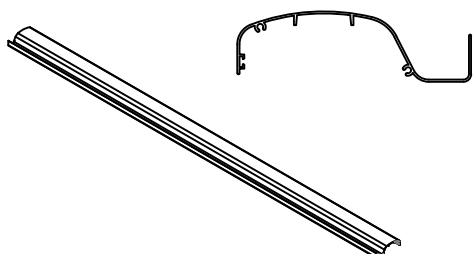
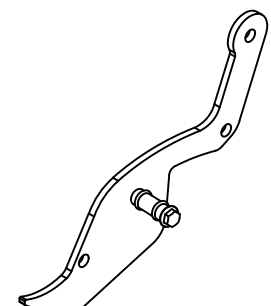


|       |  |   |
|-------|--|---|
| 1B-24 |  | 1 |
| 1B-12 |  | 2 |

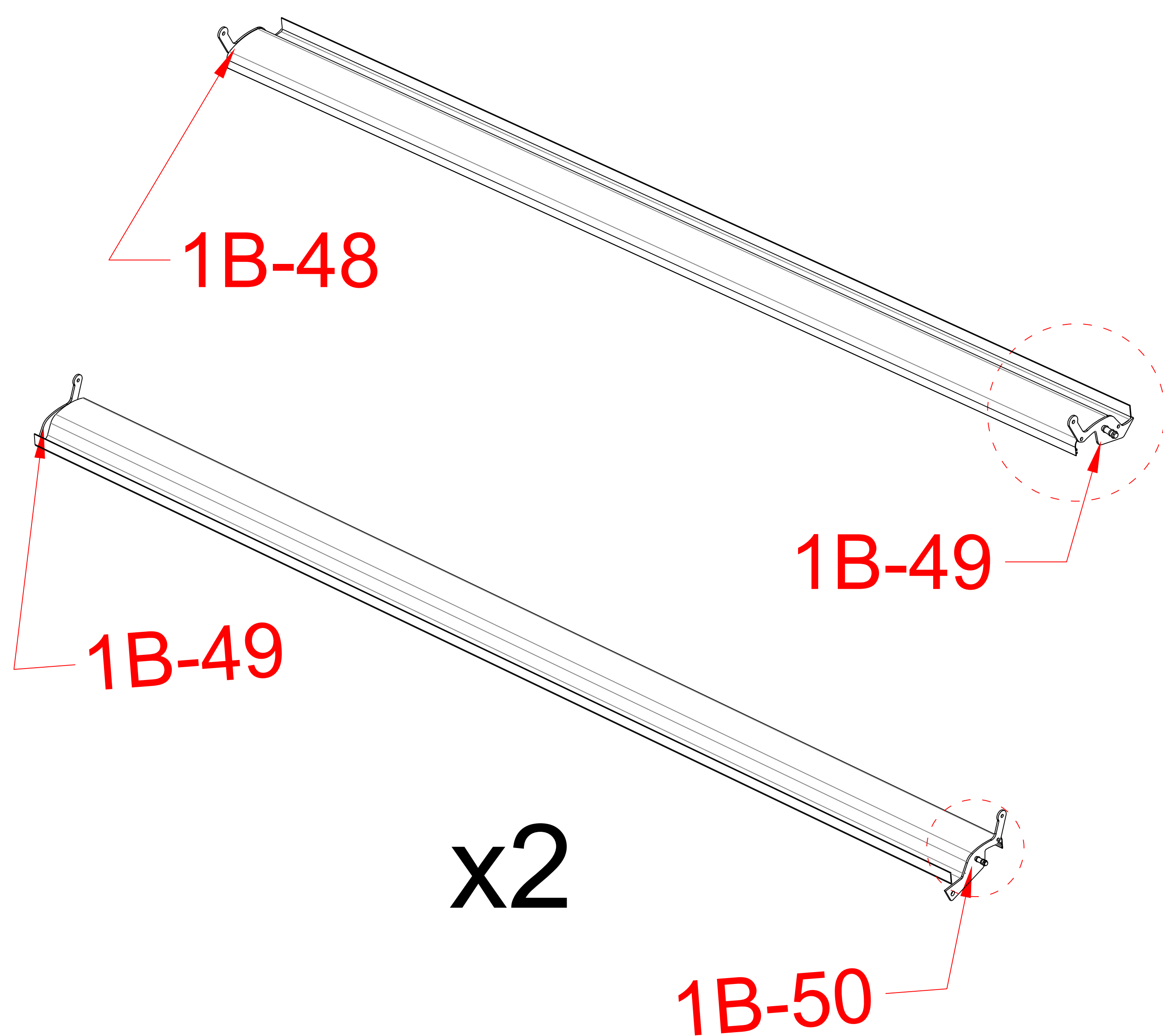
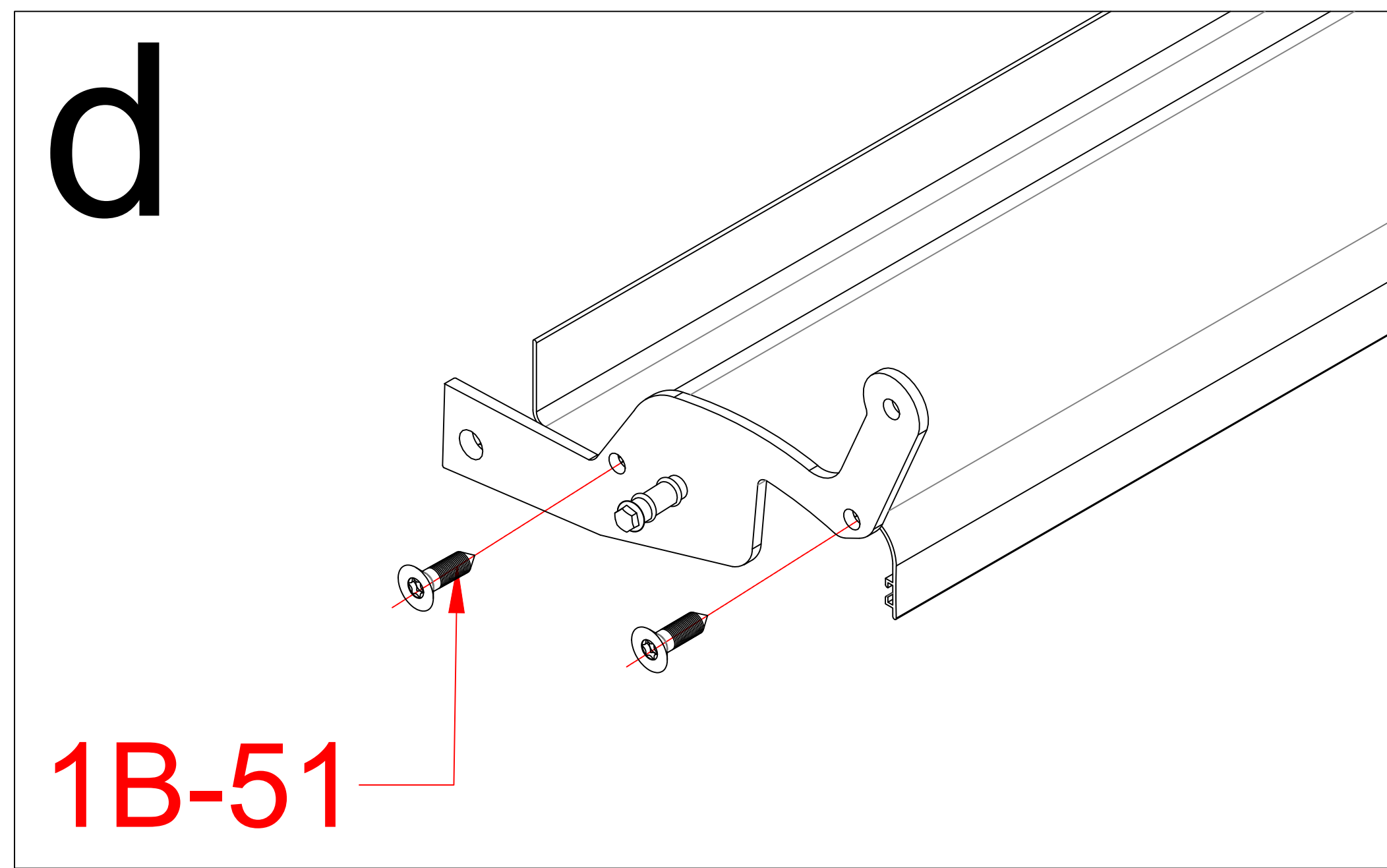
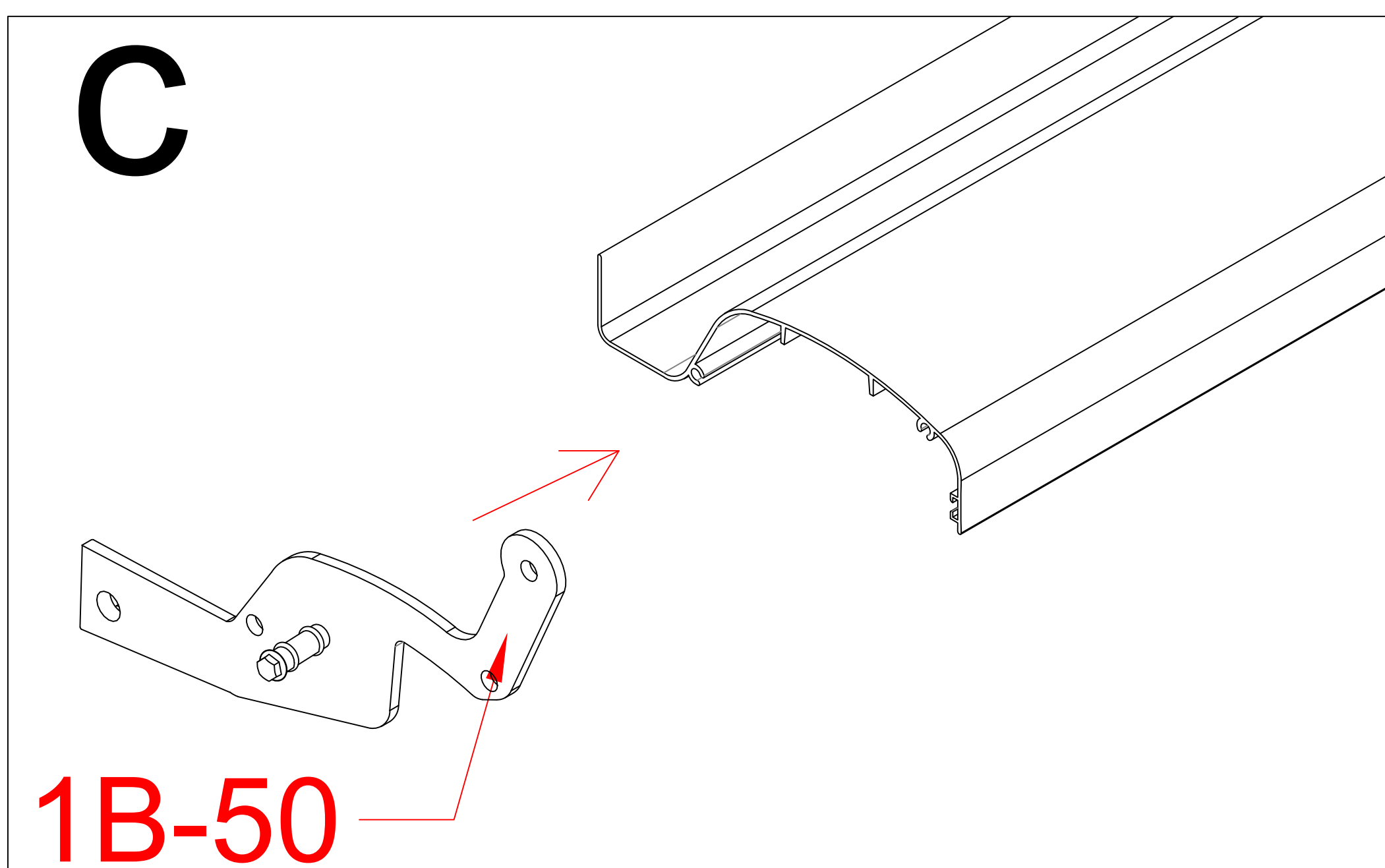
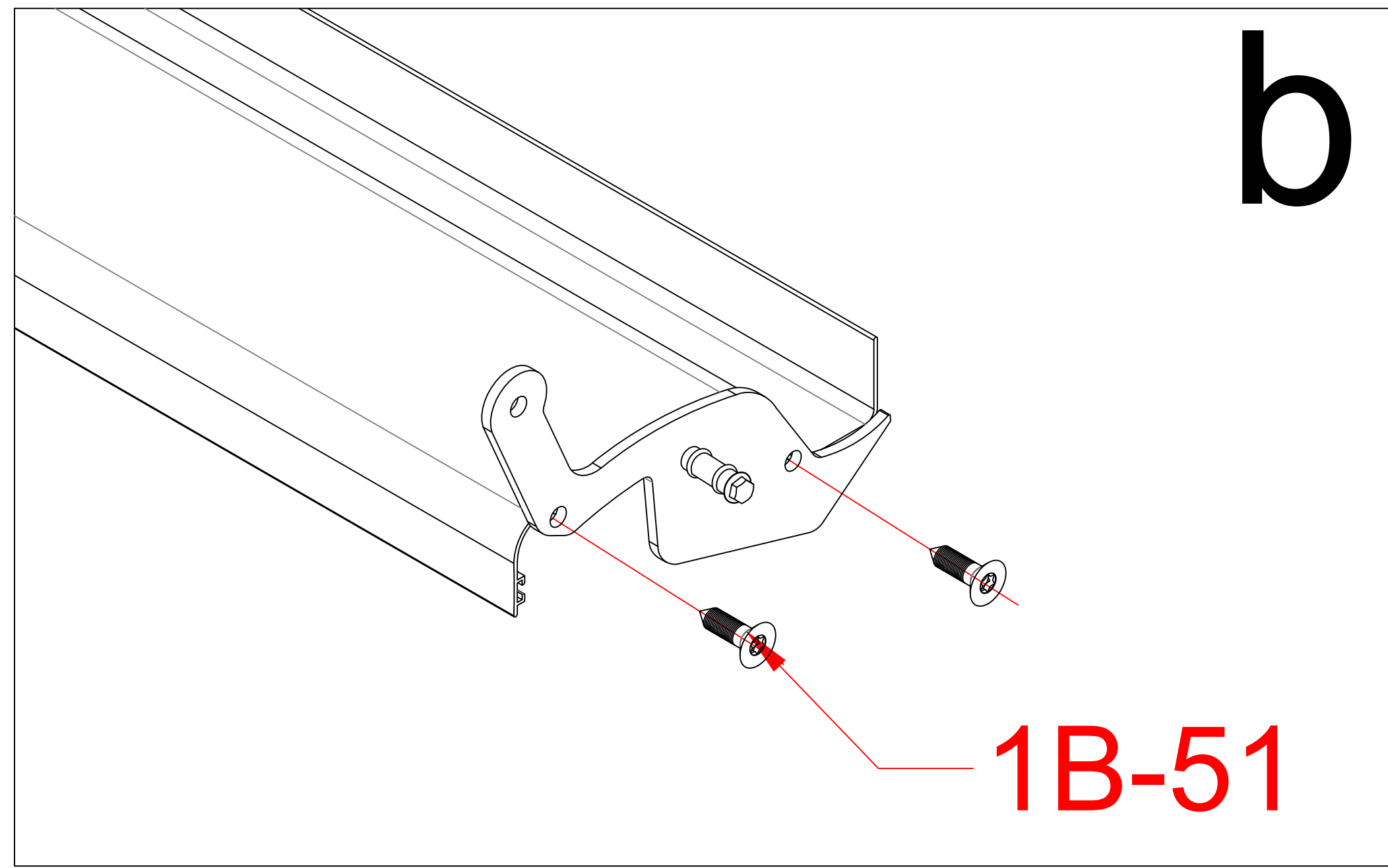
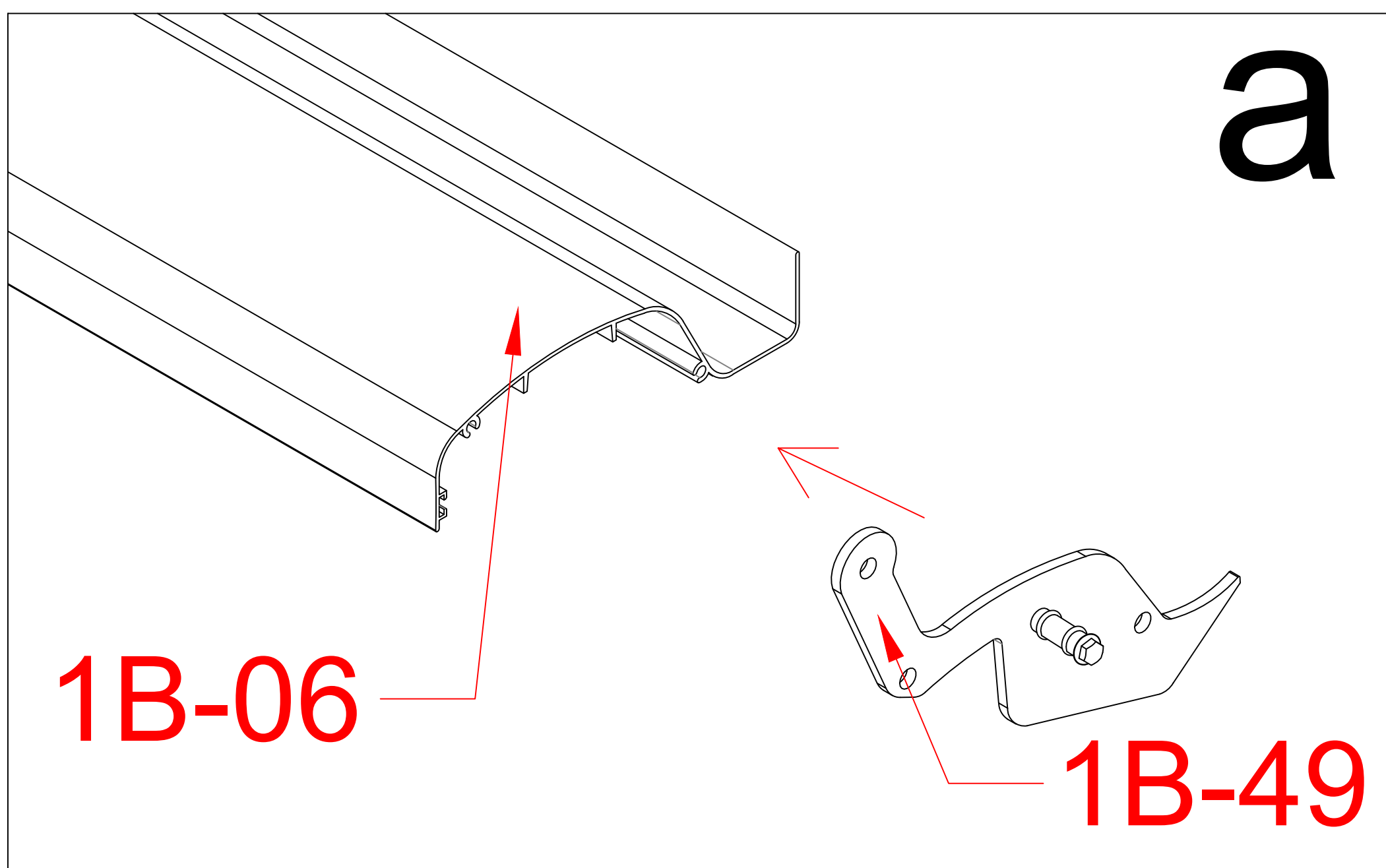




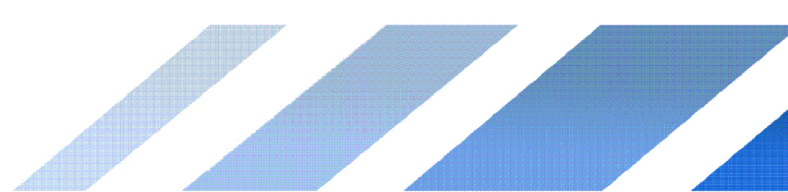


|       |  |    |
|-------|--|----|
| 1B-64 |             | 1  |
| 1B-51 | <br>M3.5*25 | 80 |
| 1B-06 |             | 42 |
| 1B-48 |             | 40 |

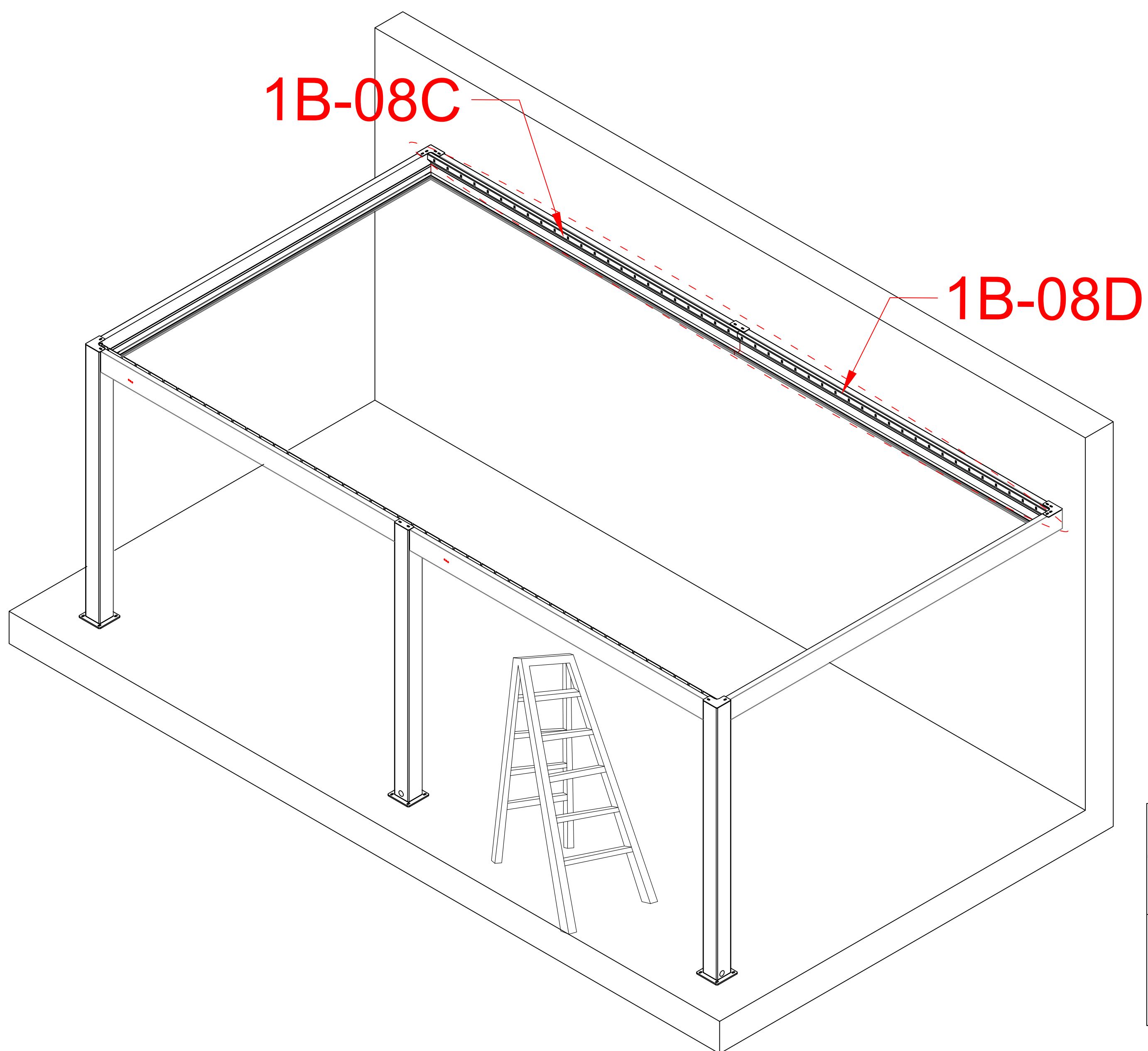
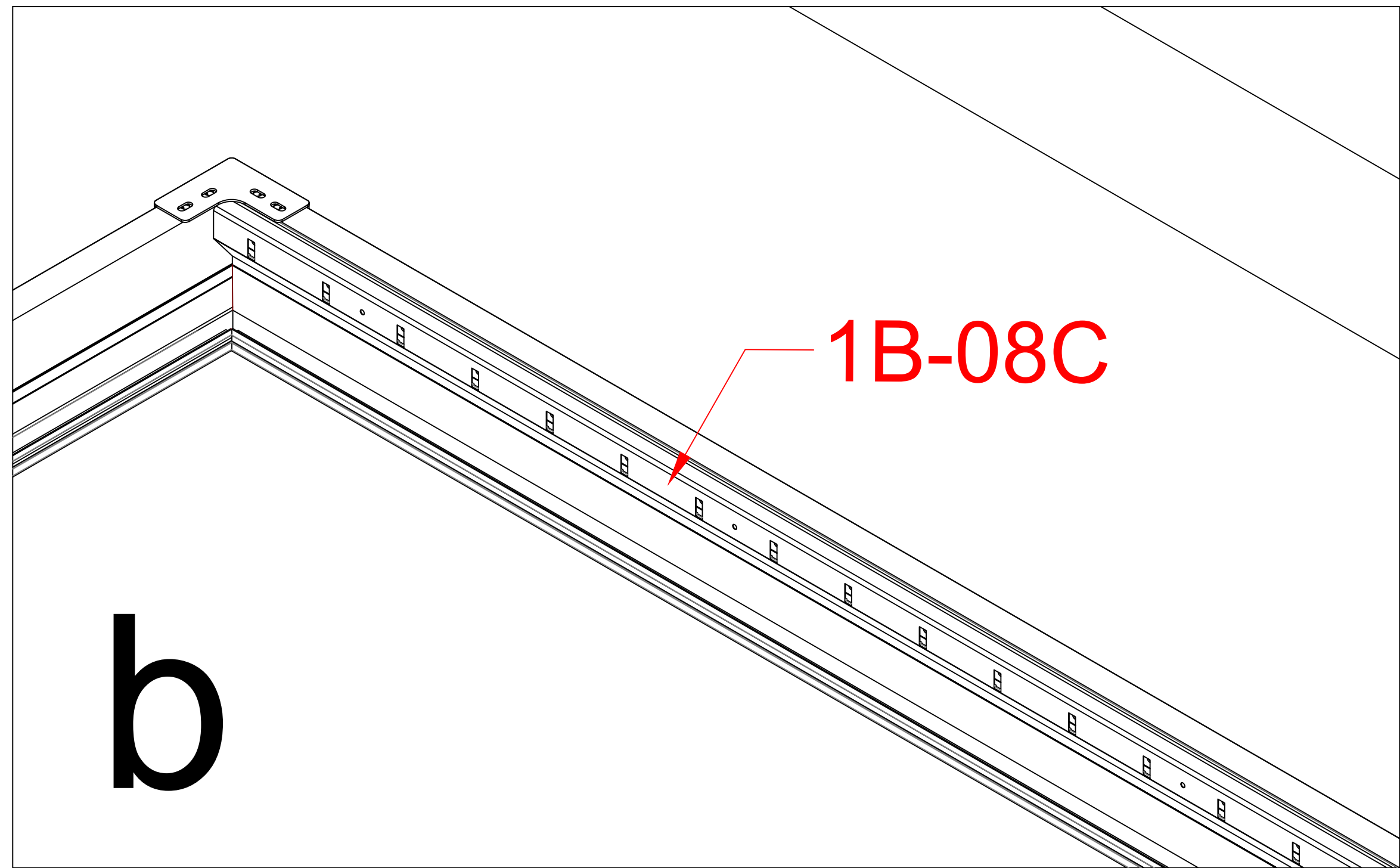
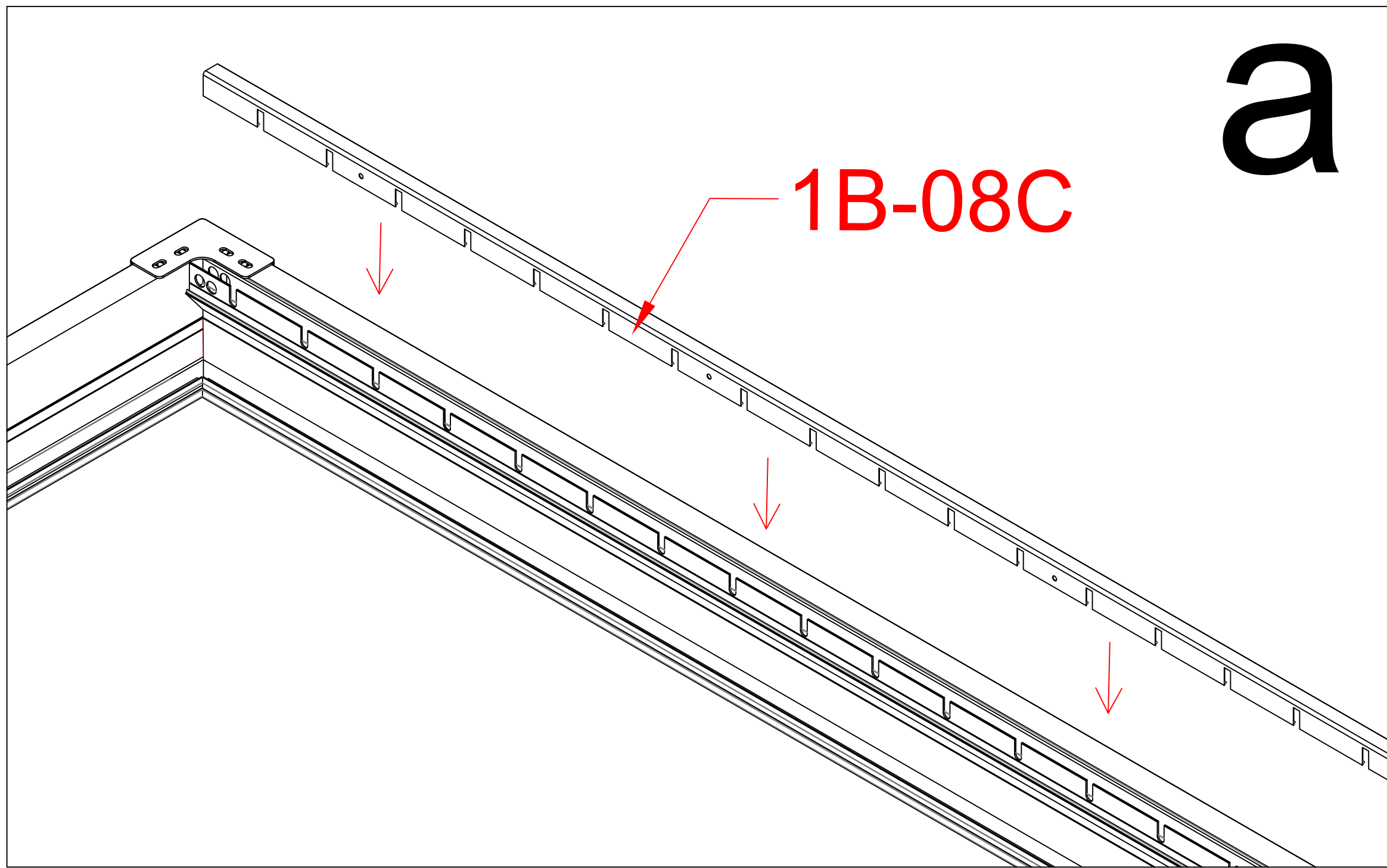




|       |  |    |
|-------|--|----|
| 1B-49 |  | 42 |
| 1B-50 |  | 2  |
| 1B-64 |  | 1  |
| 1B-51 |  | 88 |

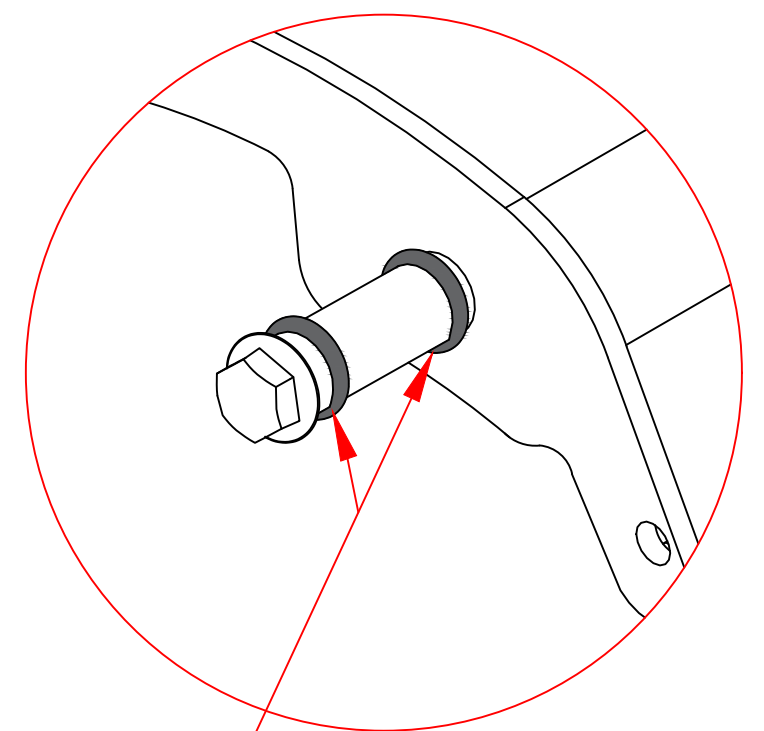
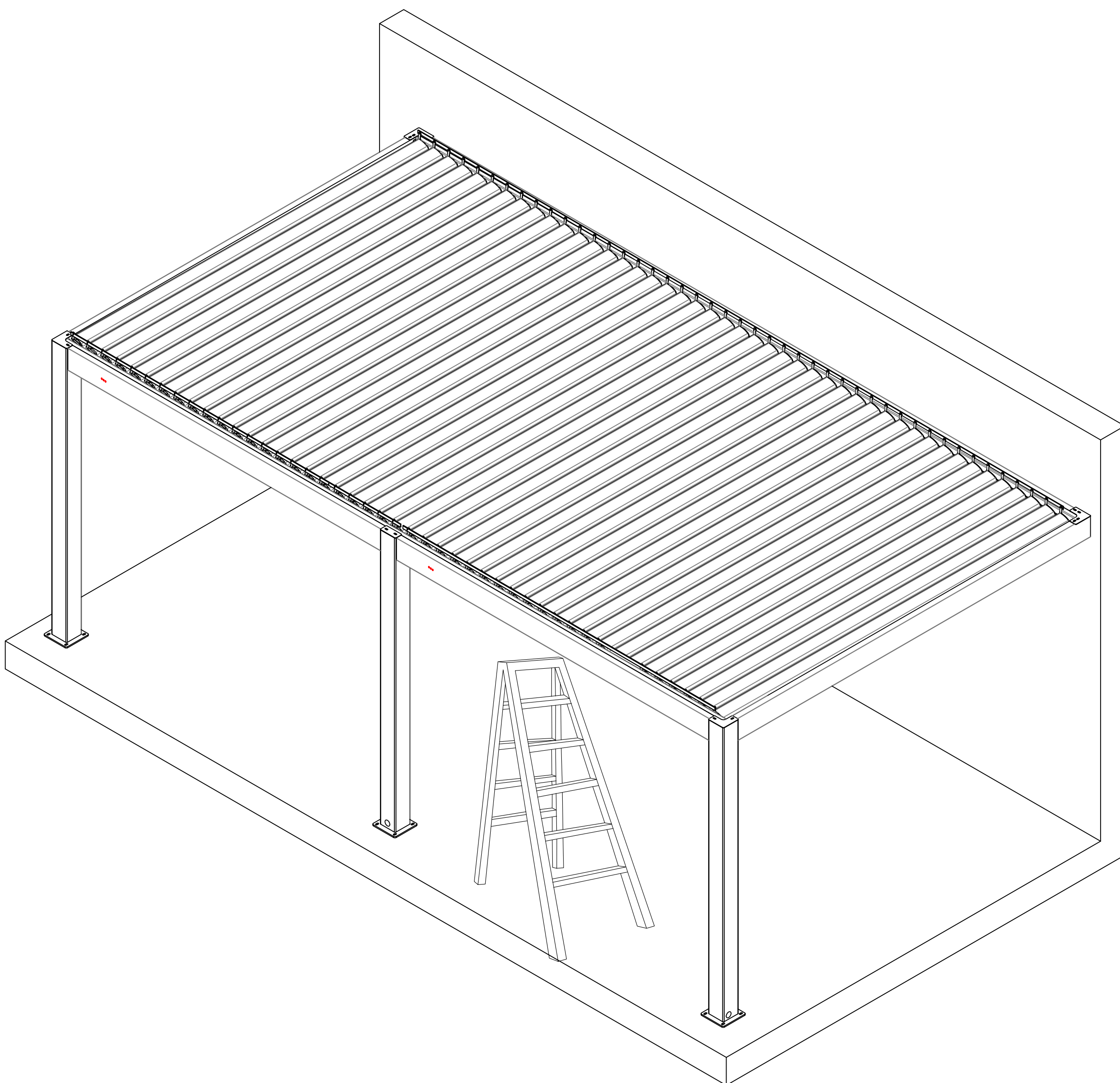
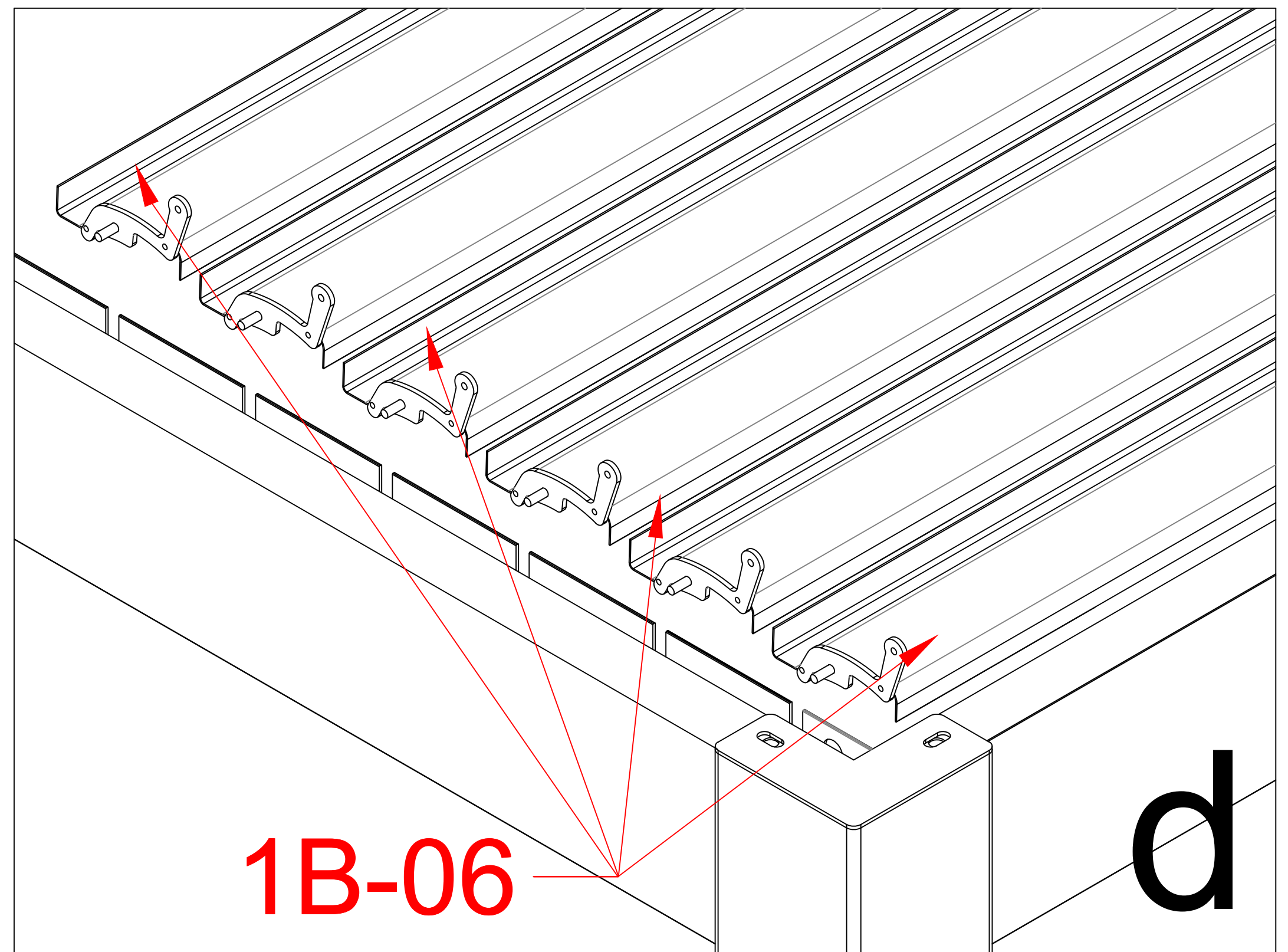
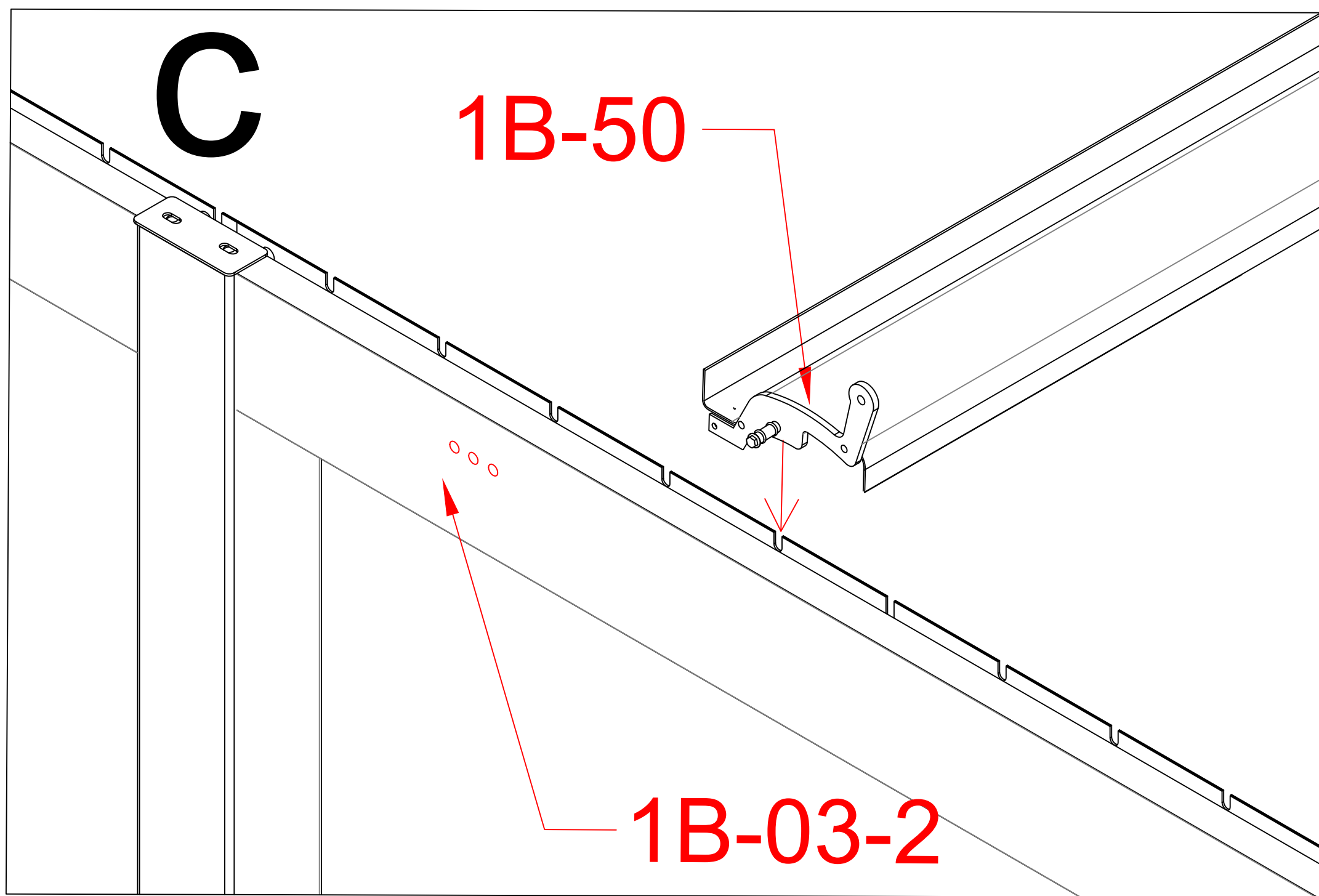
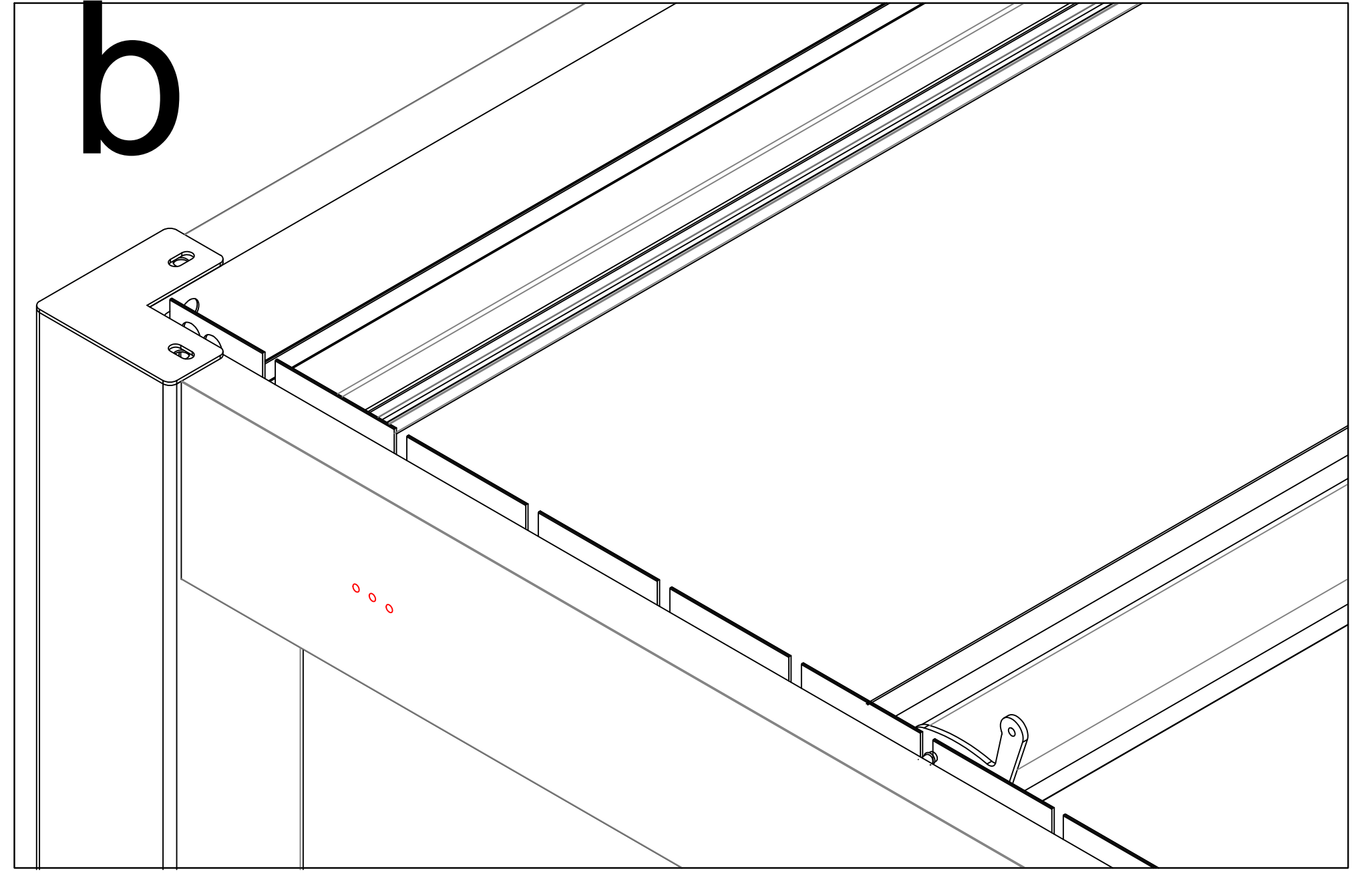
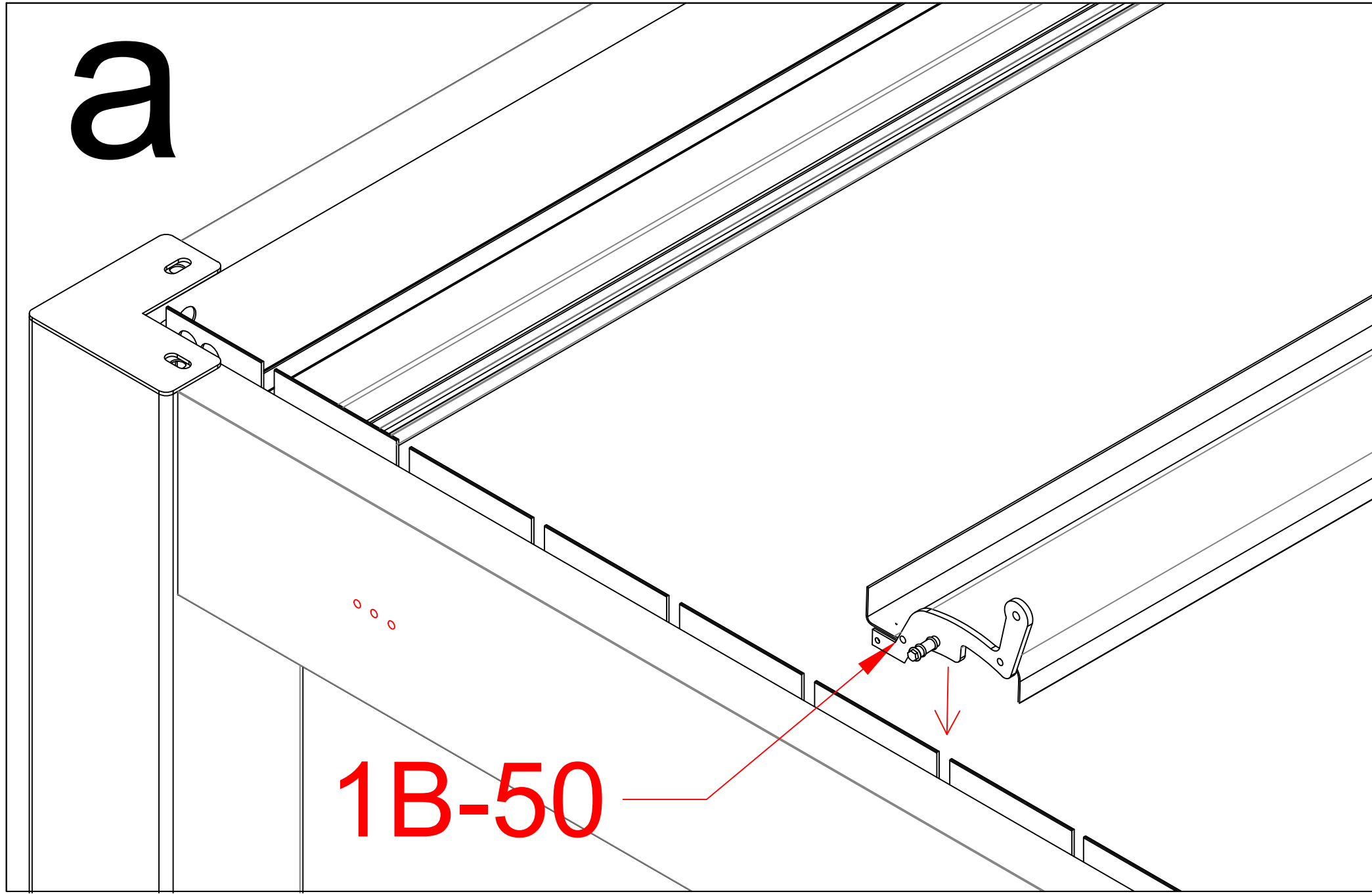






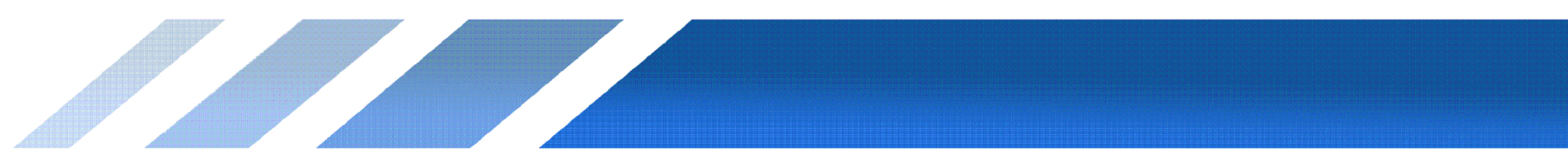
|        |  |   |
|--------|--|---|
| 1B-08C |  | 1 |
| 1B-08D |  | 1 |



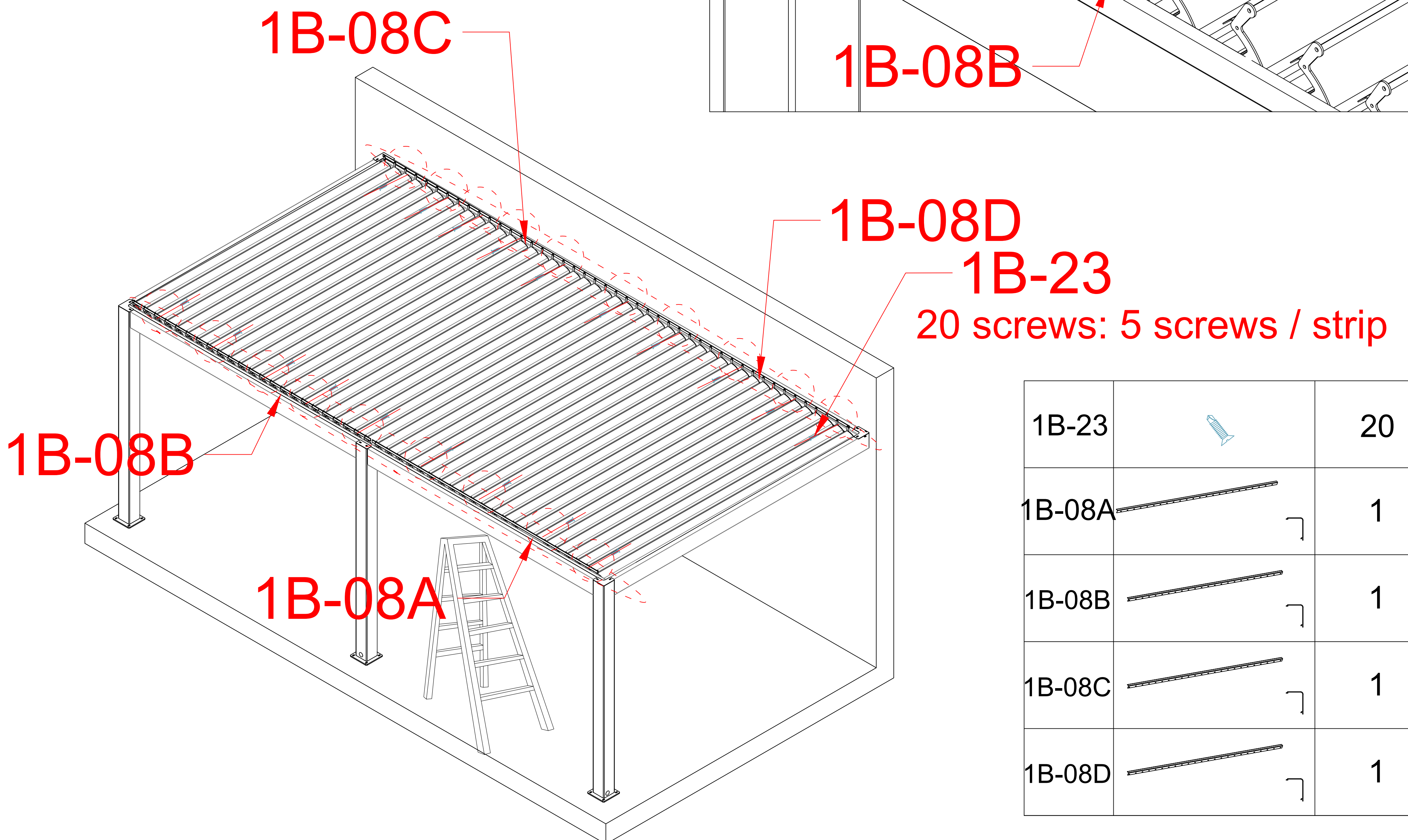
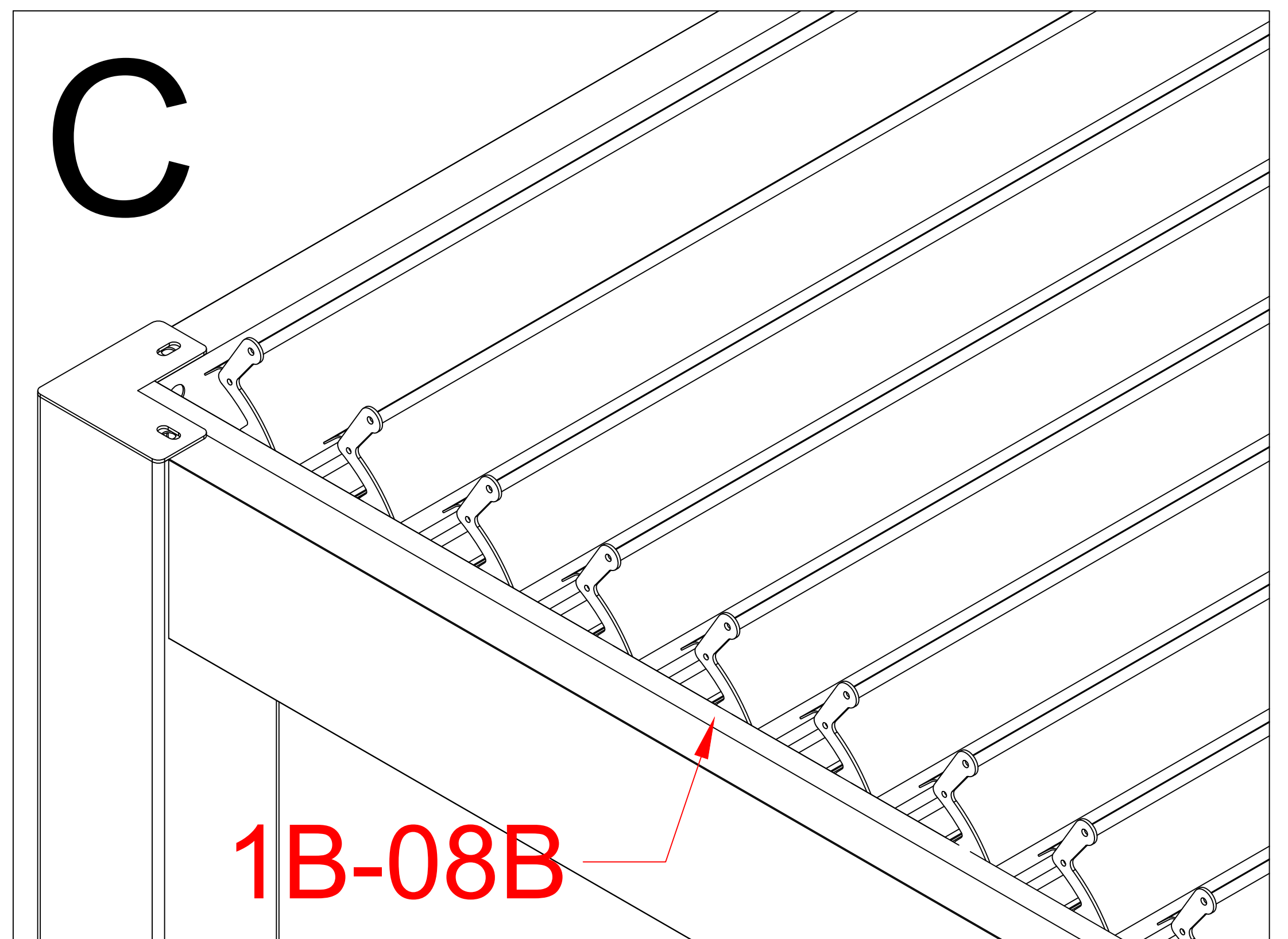
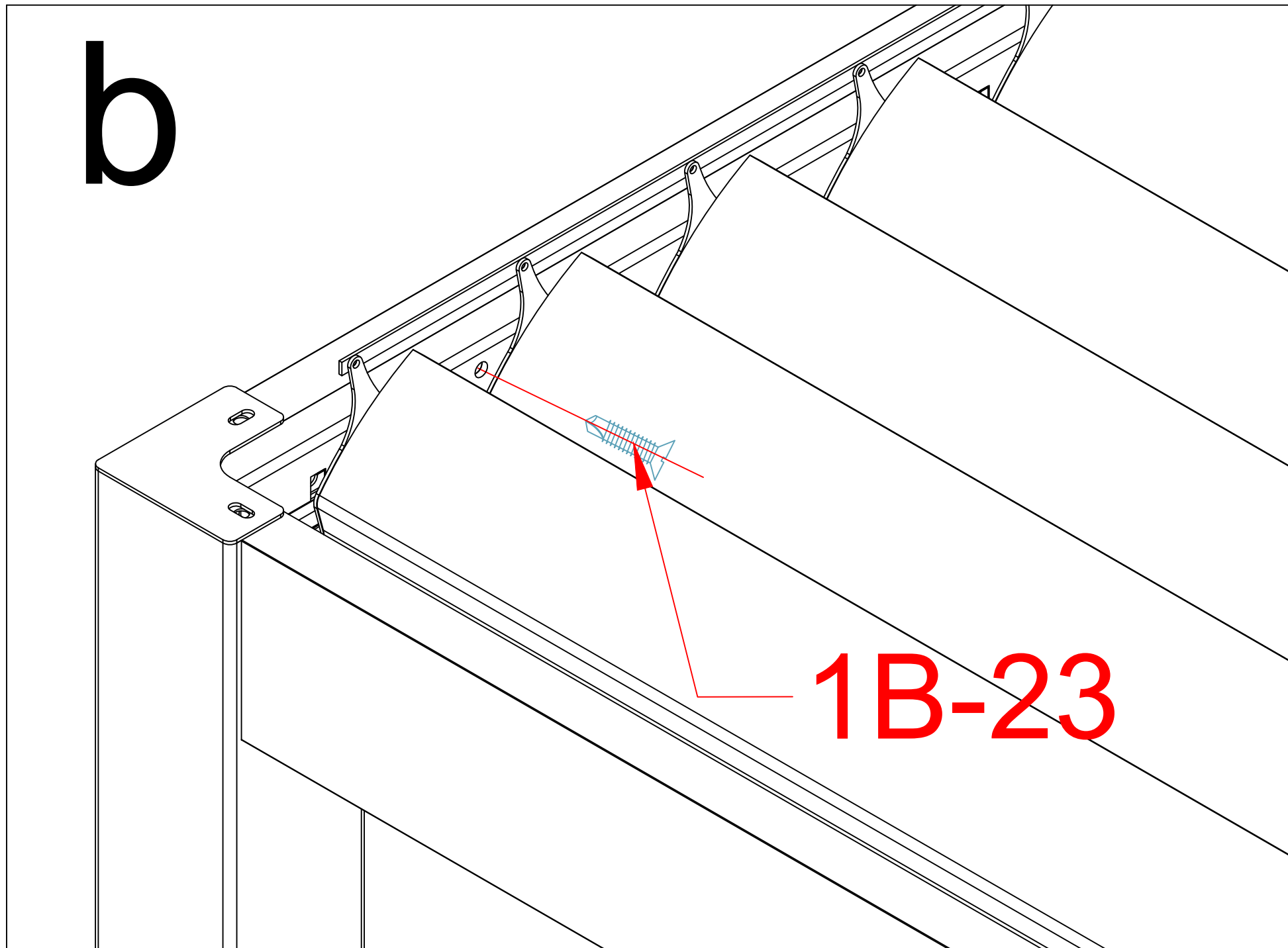
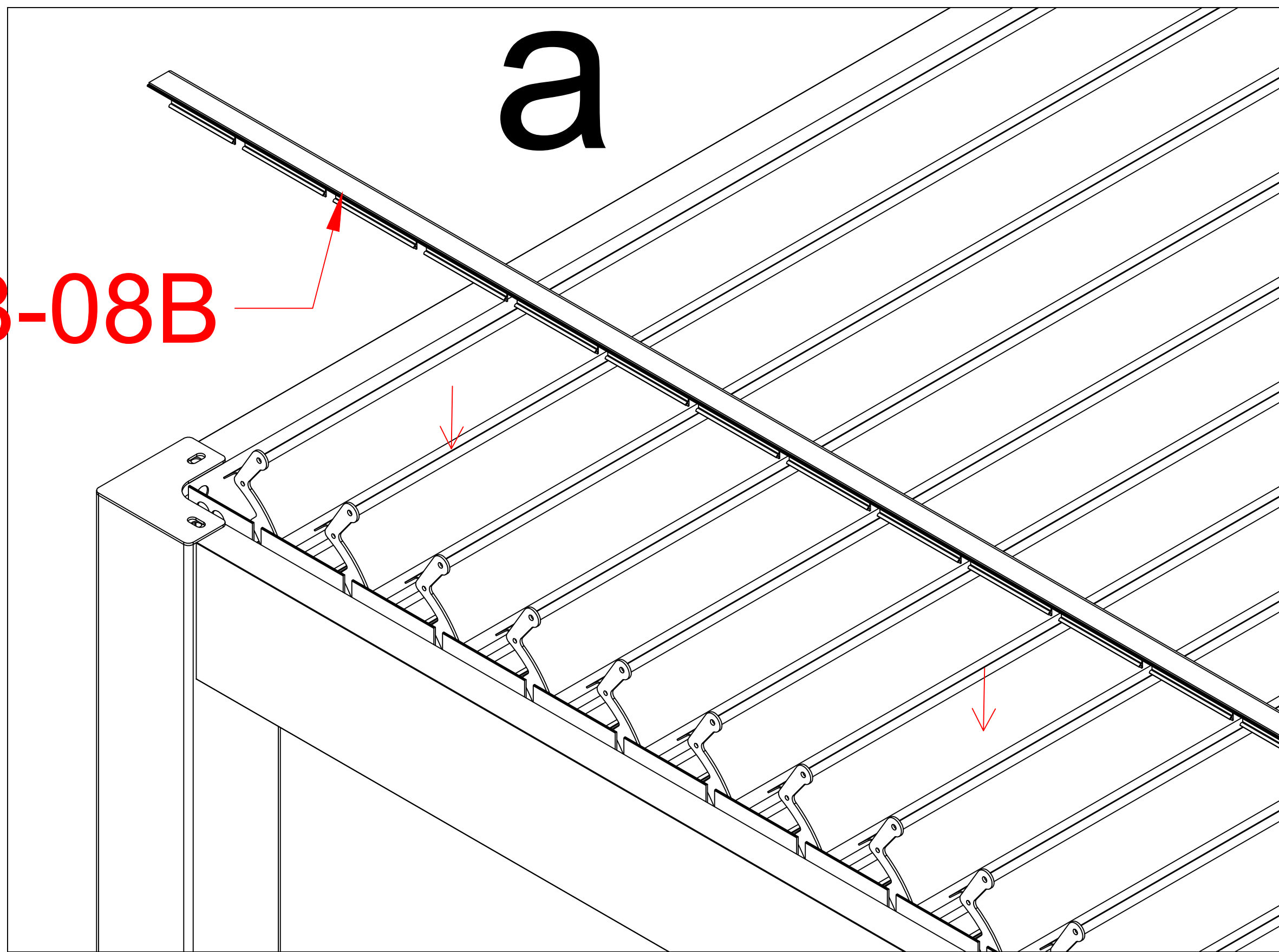



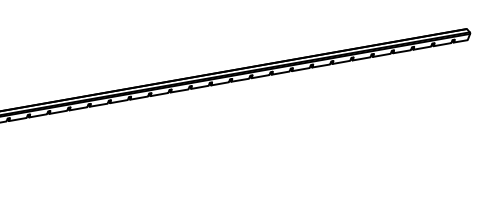
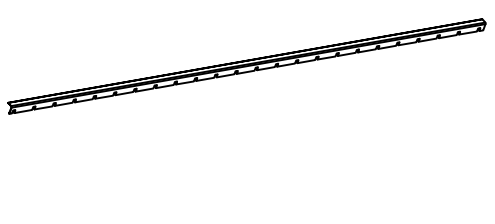
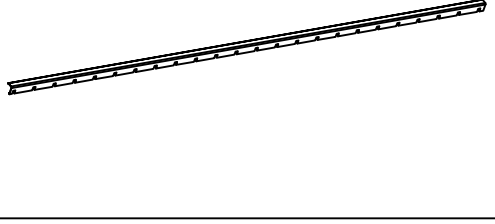
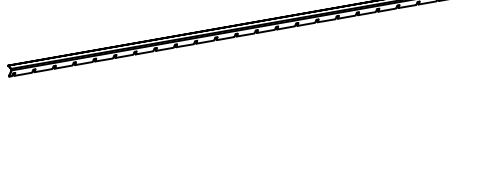
When installing louvers, first separate the two rubber gaskets and slide them to both ends of the circular shaft. Then, please ensure they are closed tightly before proceeding with the next steps of the installation.

|       |  |    |
|-------|--|----|
| 1B-06 |  | 42 |
|-------|--|----|

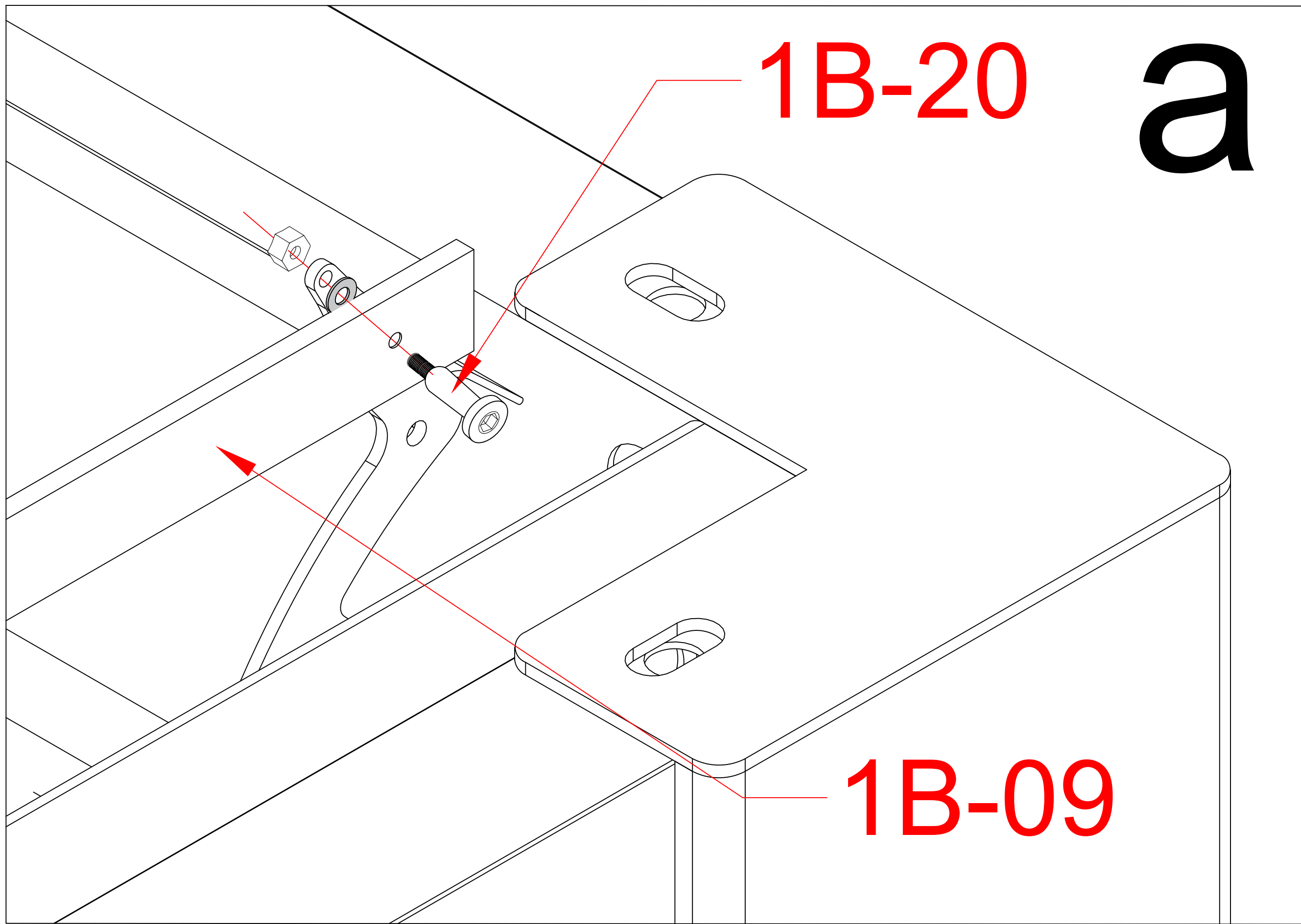




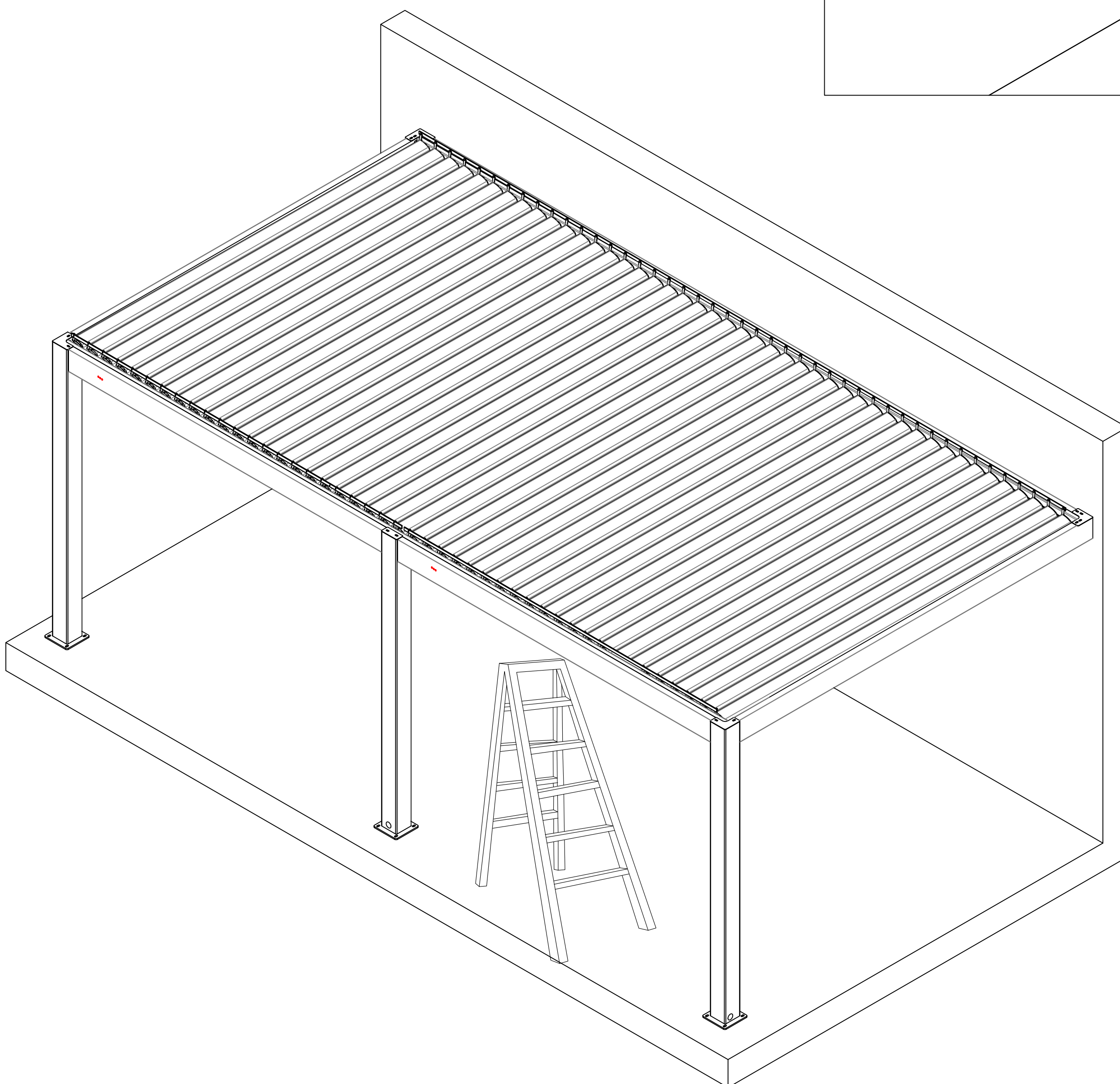
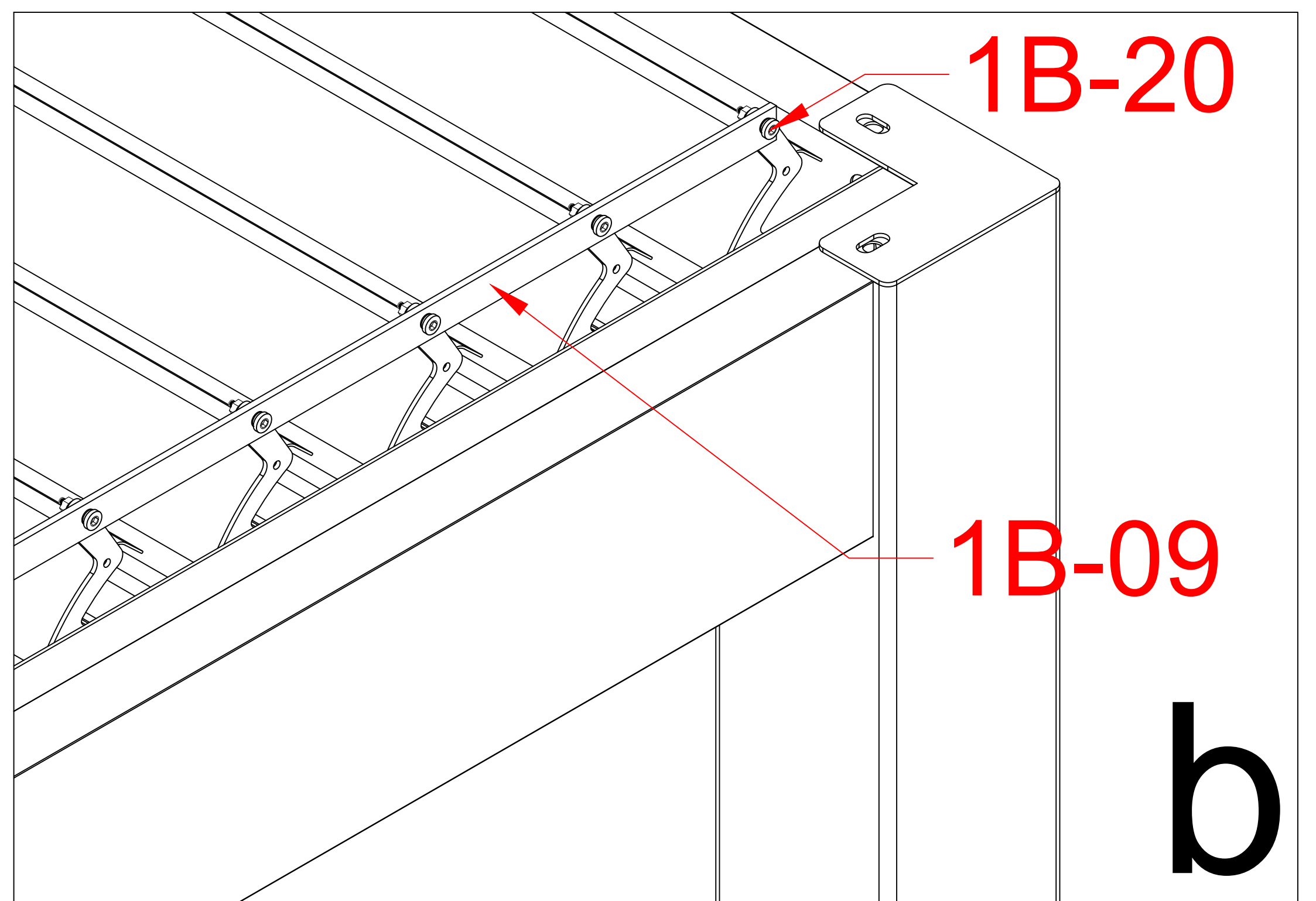


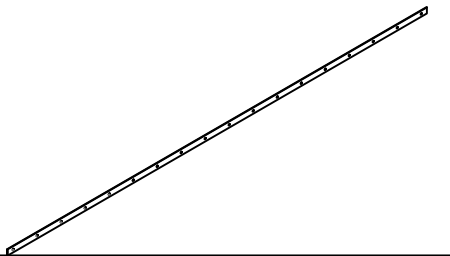
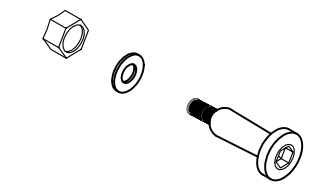
|        |   |    |
|--------|---|----|
| 1B-23  |  | 20 |
| 1B-08A |  | 1  |
| 1B-08B |  | 1  |
| 1B-08C |  | 1  |
| 1B-08D |  | 1  |

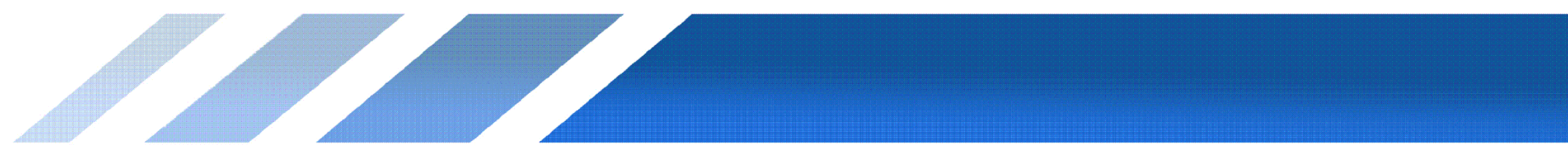




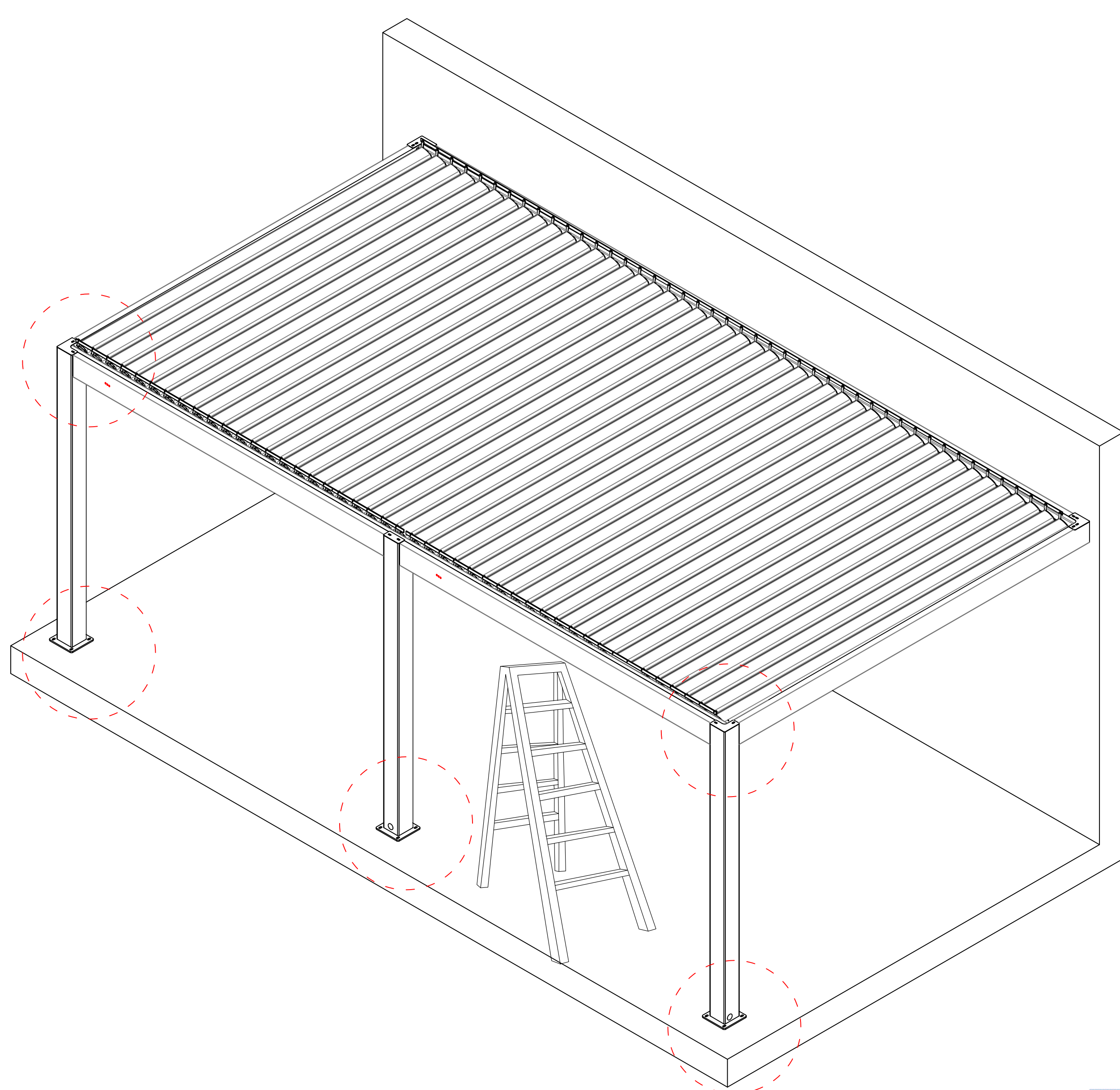
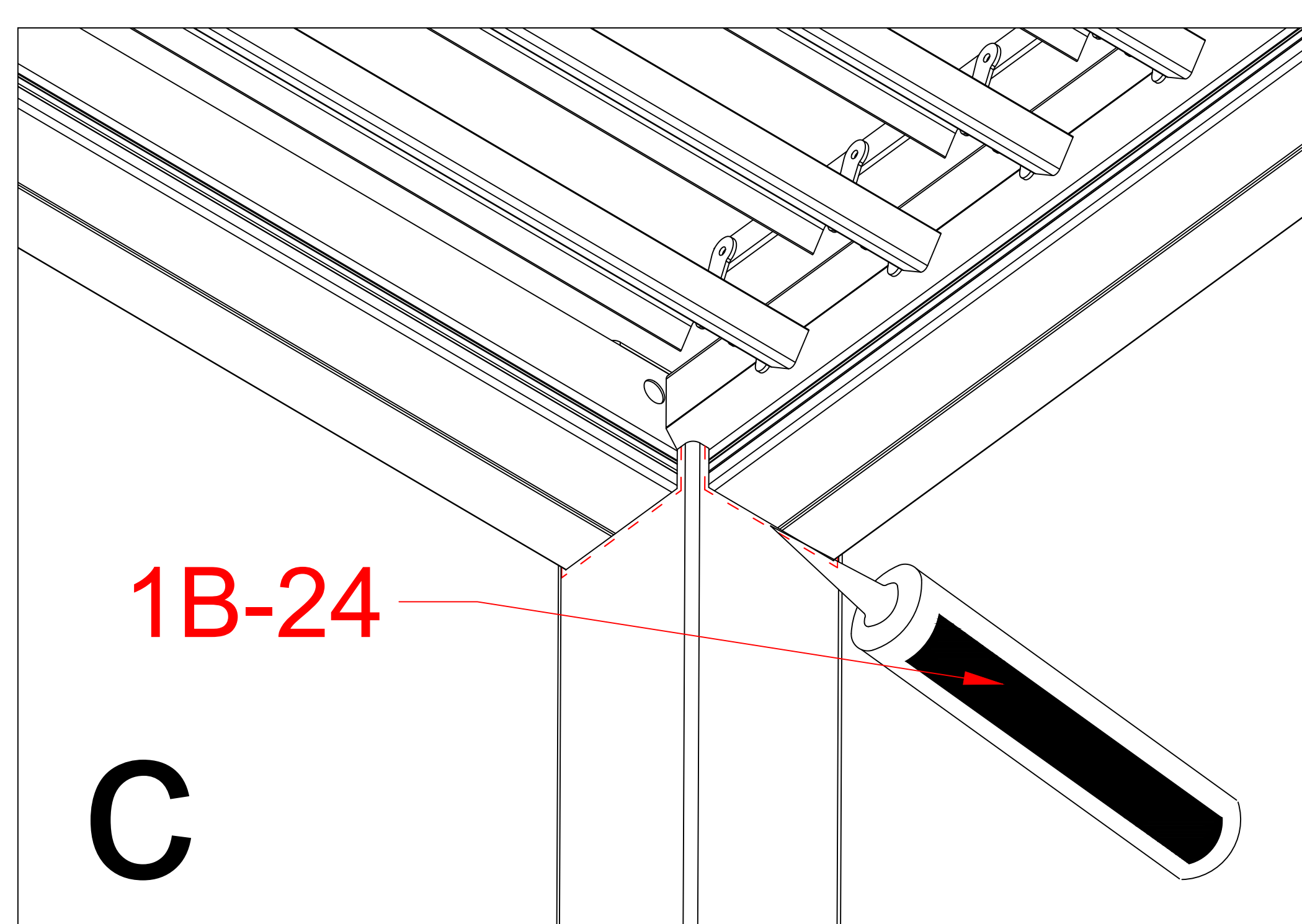
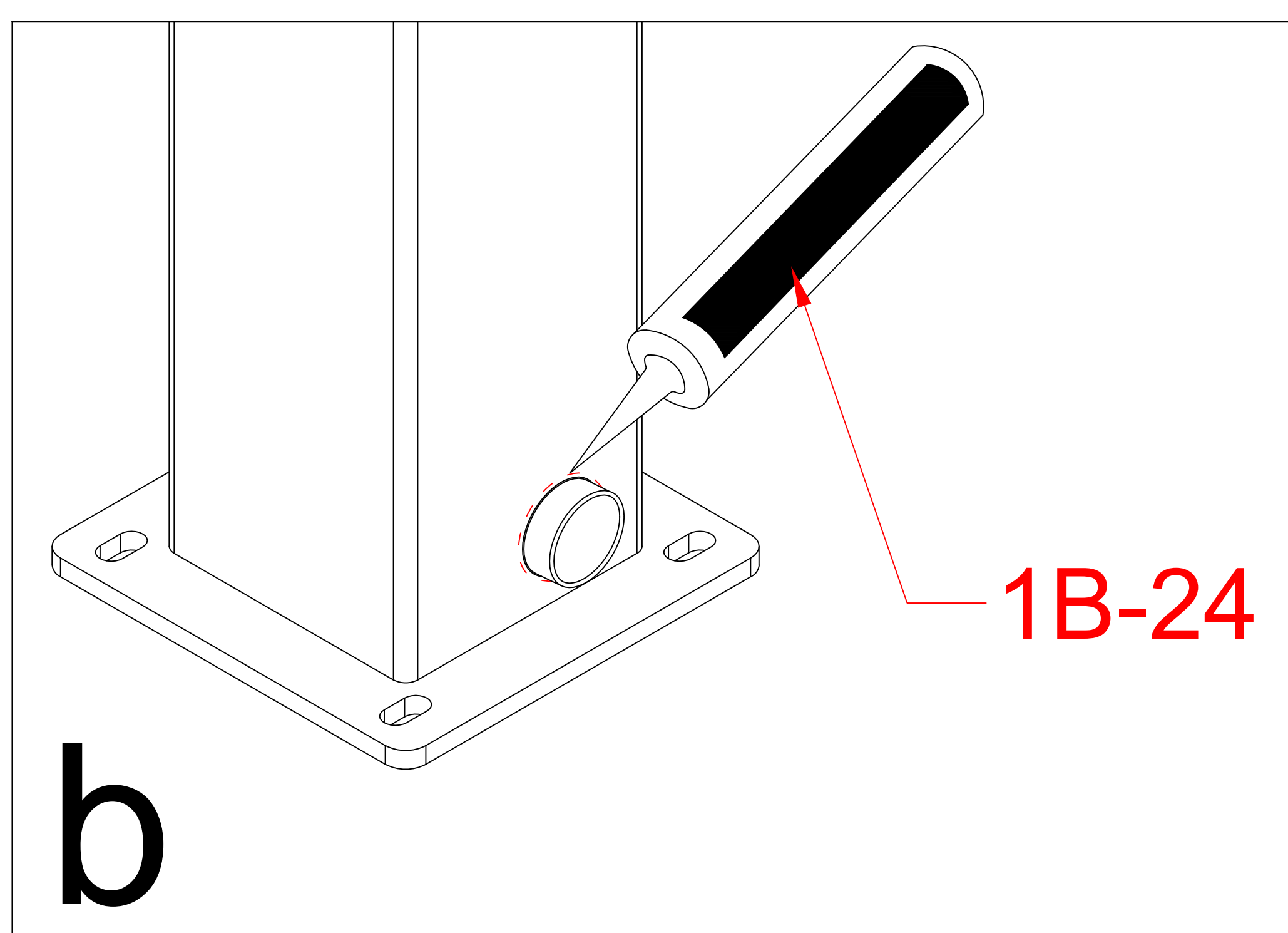
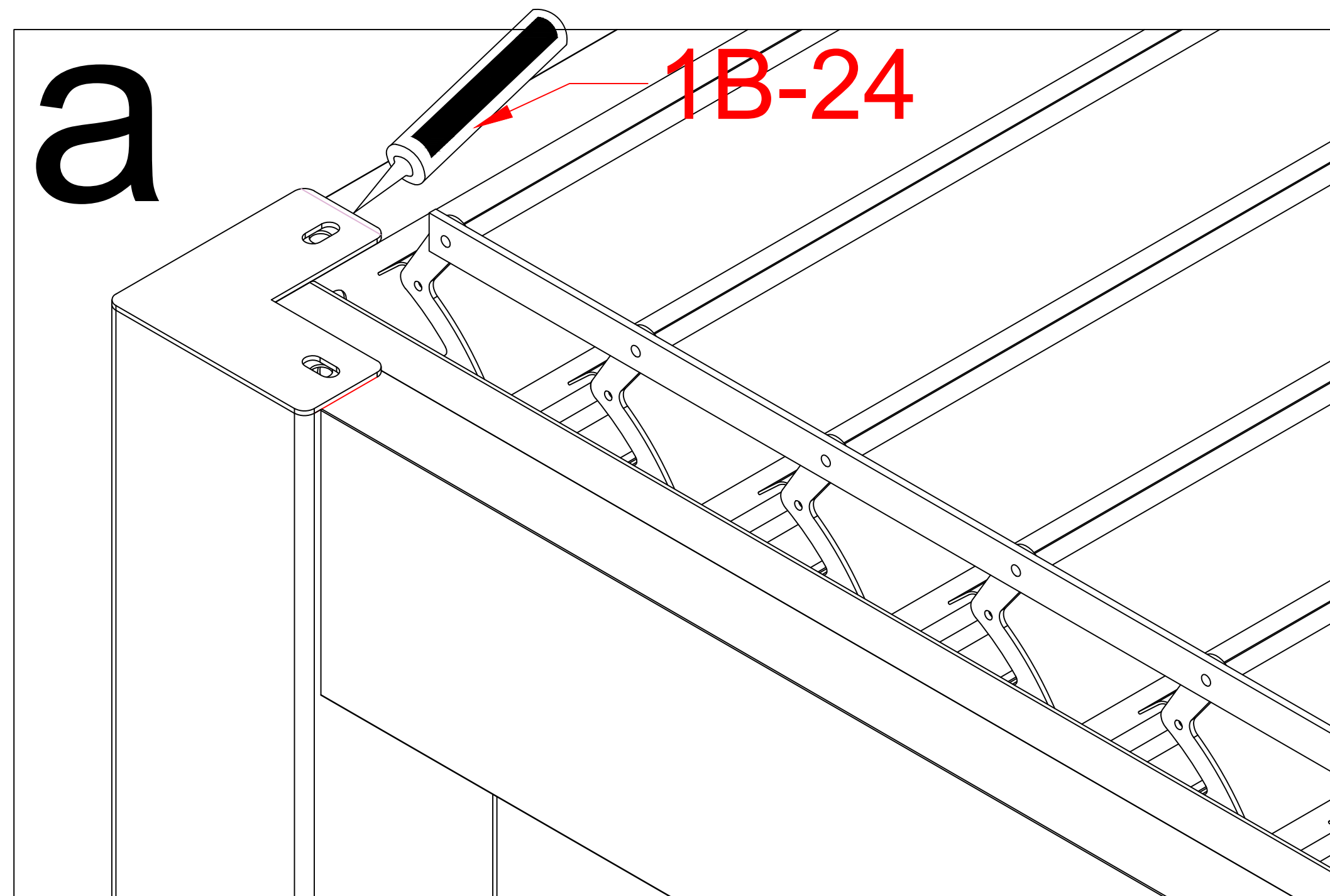
warning:  
Bolts must be tightened

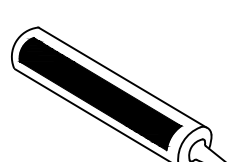


|       |   |    |
|-------|---|----|
| 1B-09 |  | 4  |
| 1B-20 |  | 84 |



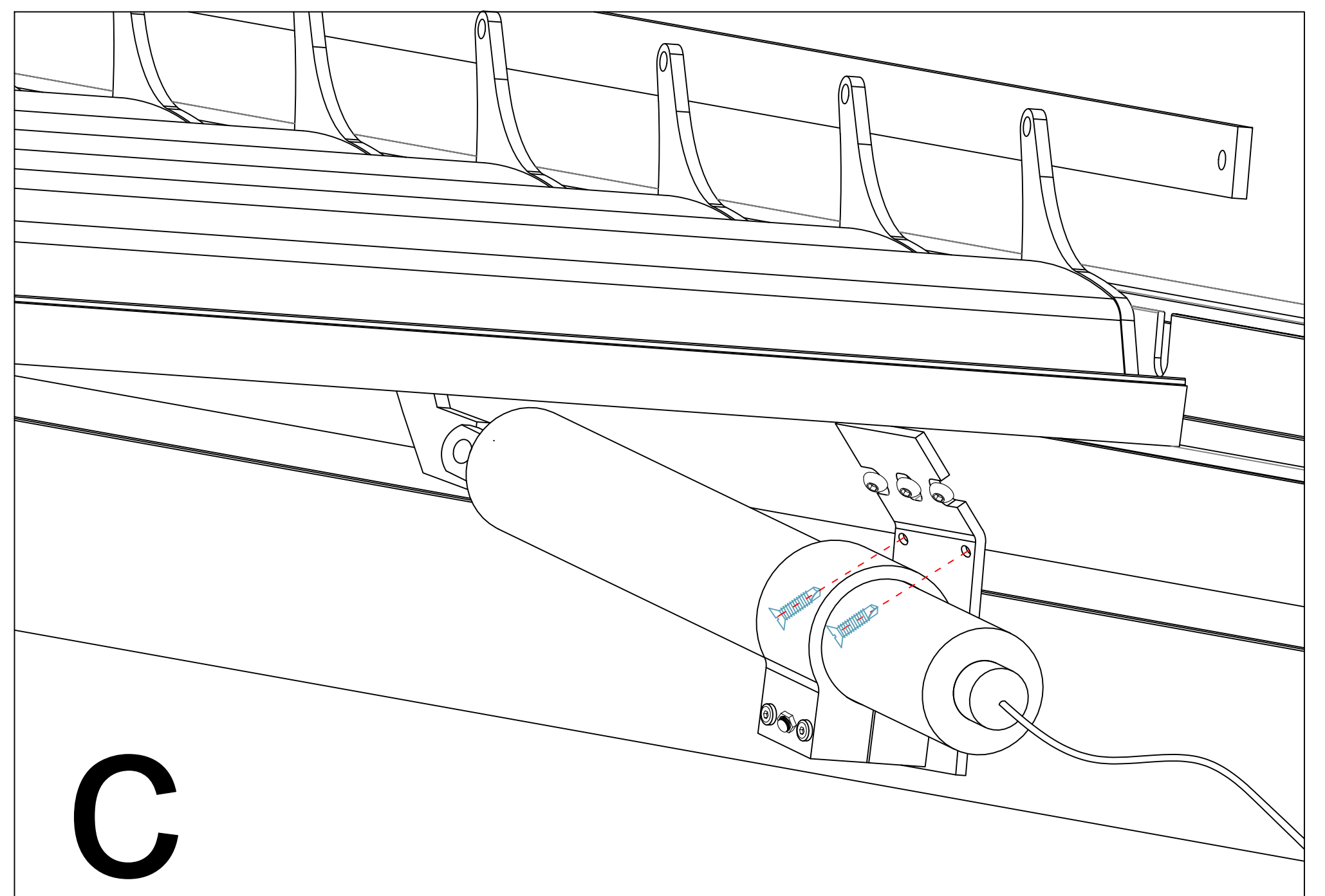
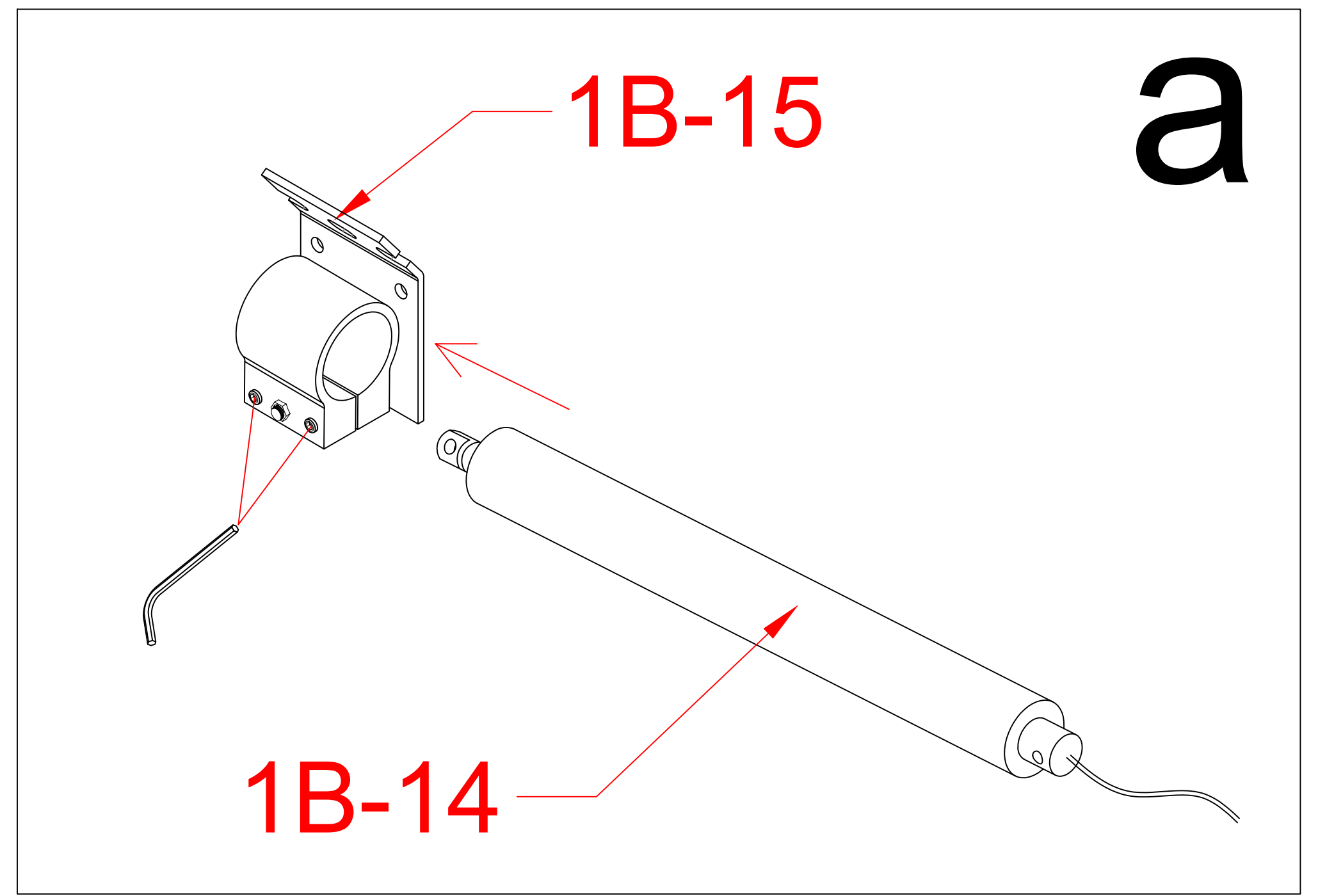
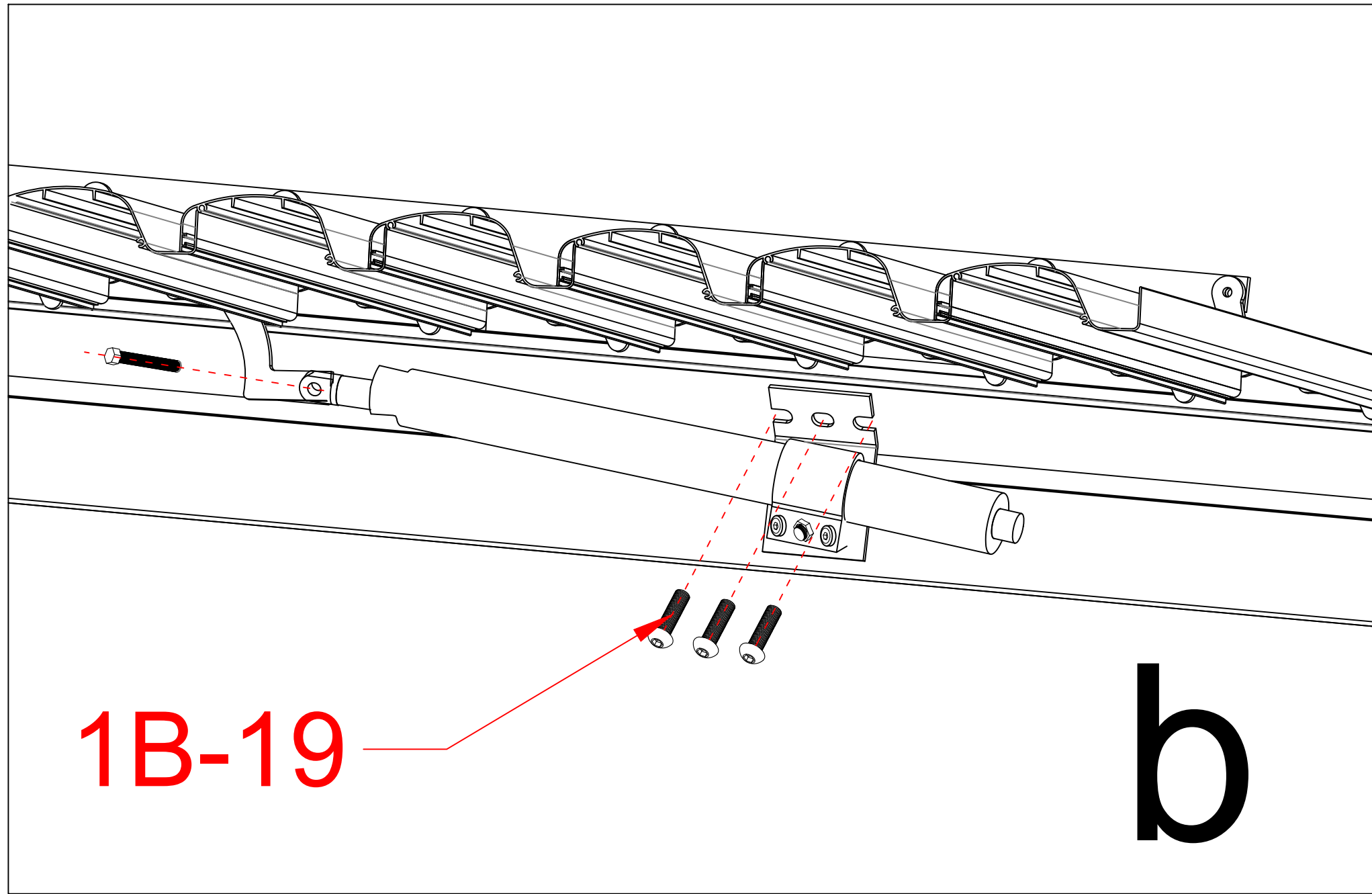




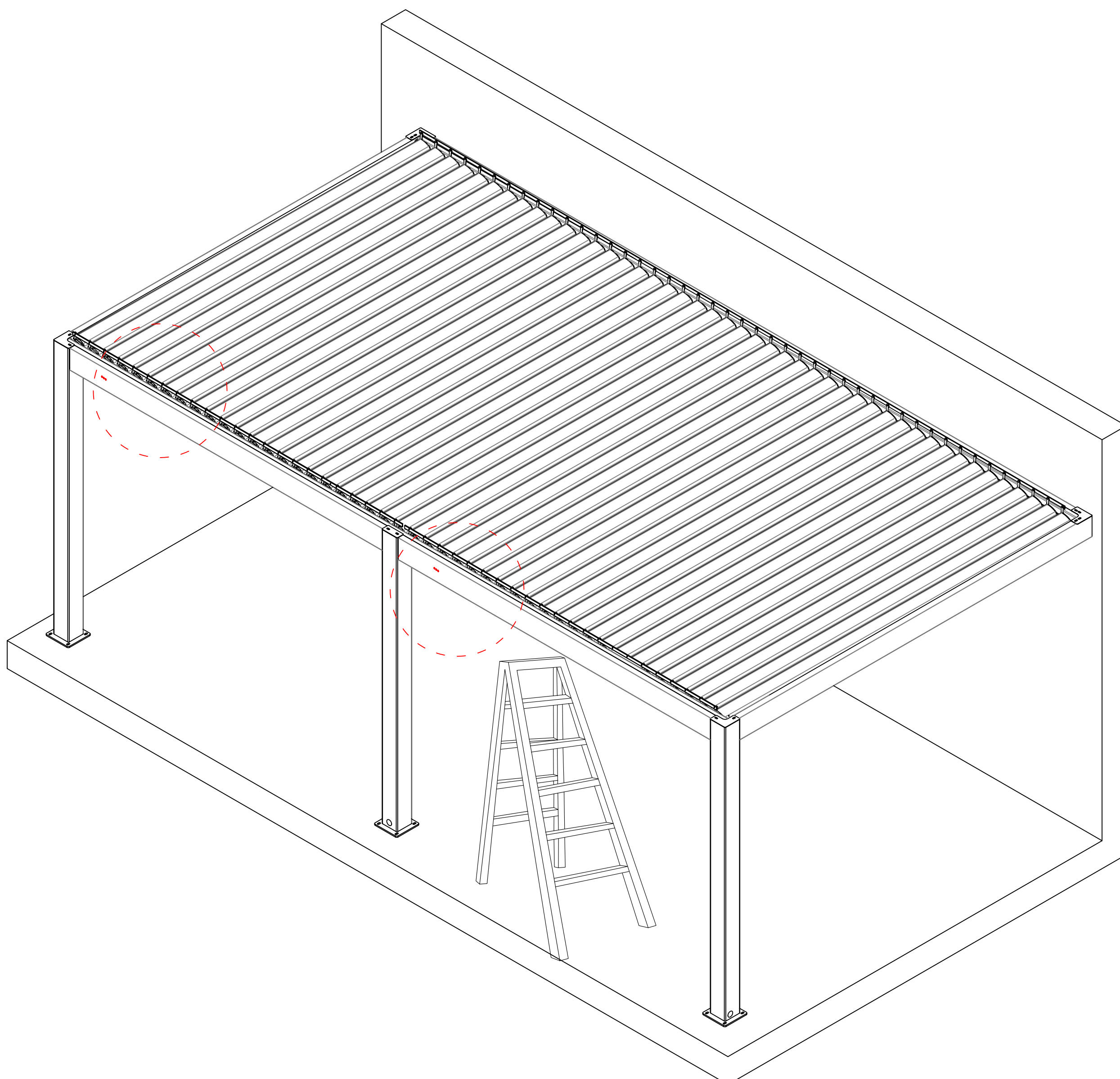
|       |   |   |
|-------|---|---|
| 1B-24 |  | 1 |
|-------|---|---|

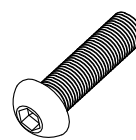
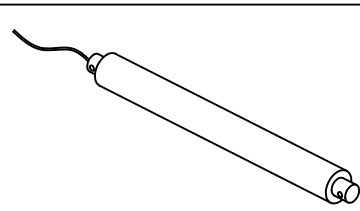
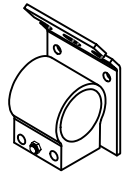

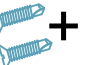


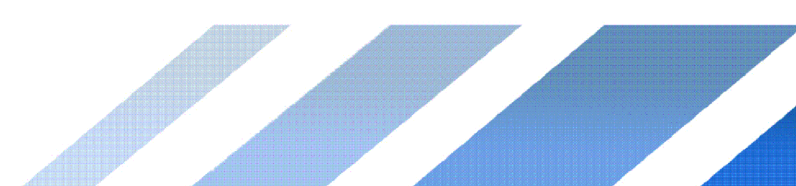




**Warning :**  
In Snow / Wind season or in case of snow / wind forecast open up your shutters in vertical position to avoid any damaging on your pergola.



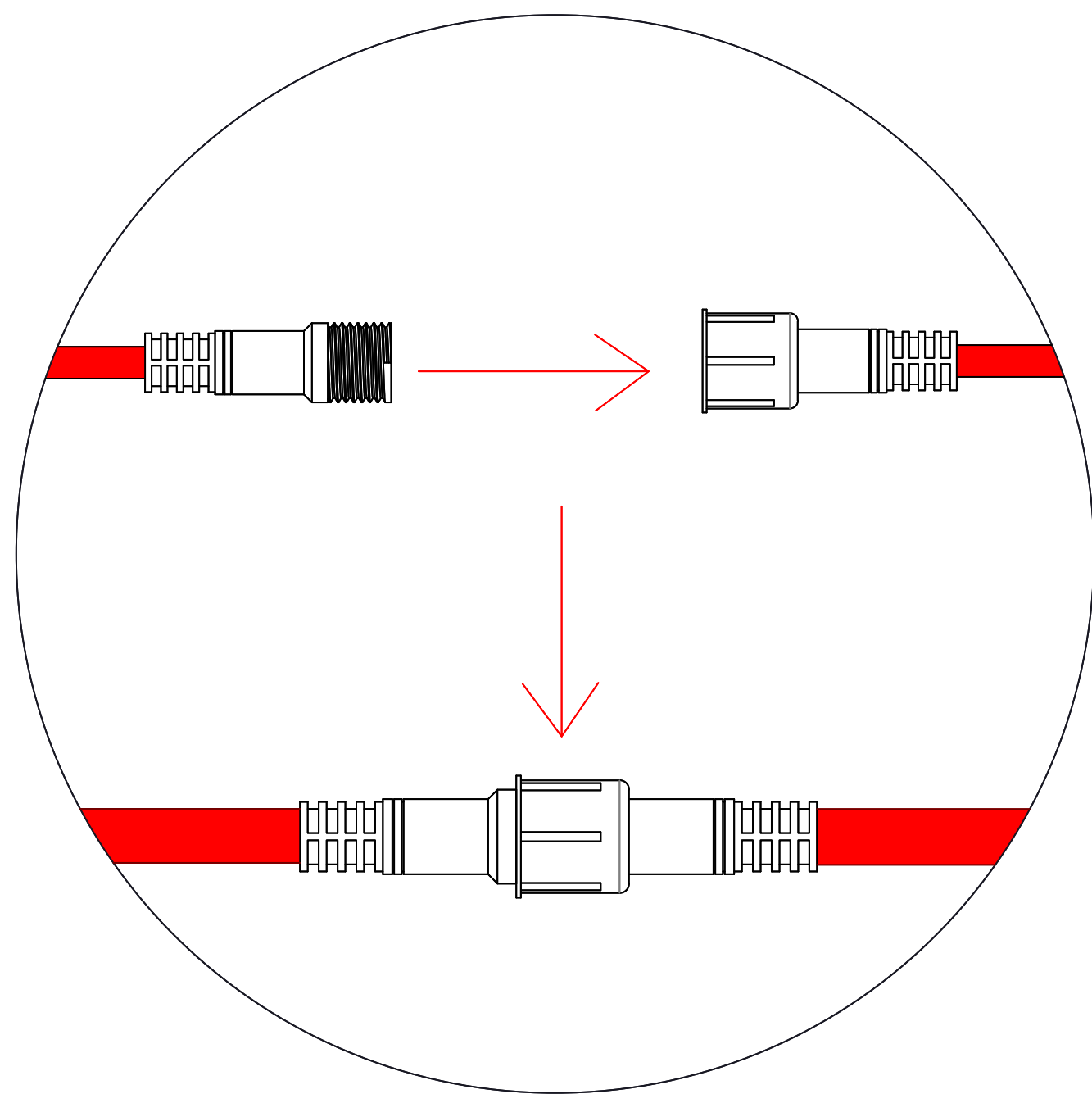
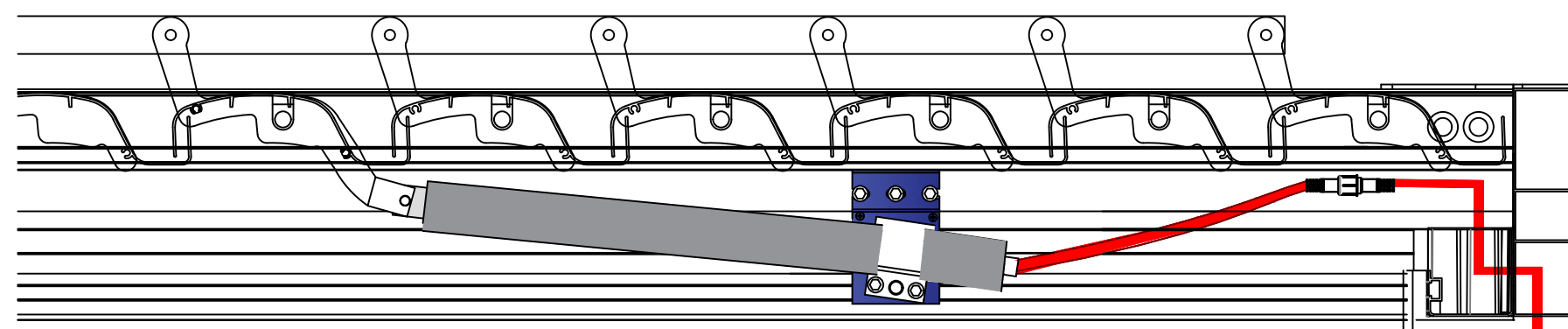
|       |   |   |
|-------|---|---|
| 1B-19 |    | 6 |
| 1B-14 |    | 2 |
| 1B-15 |    | 2 |







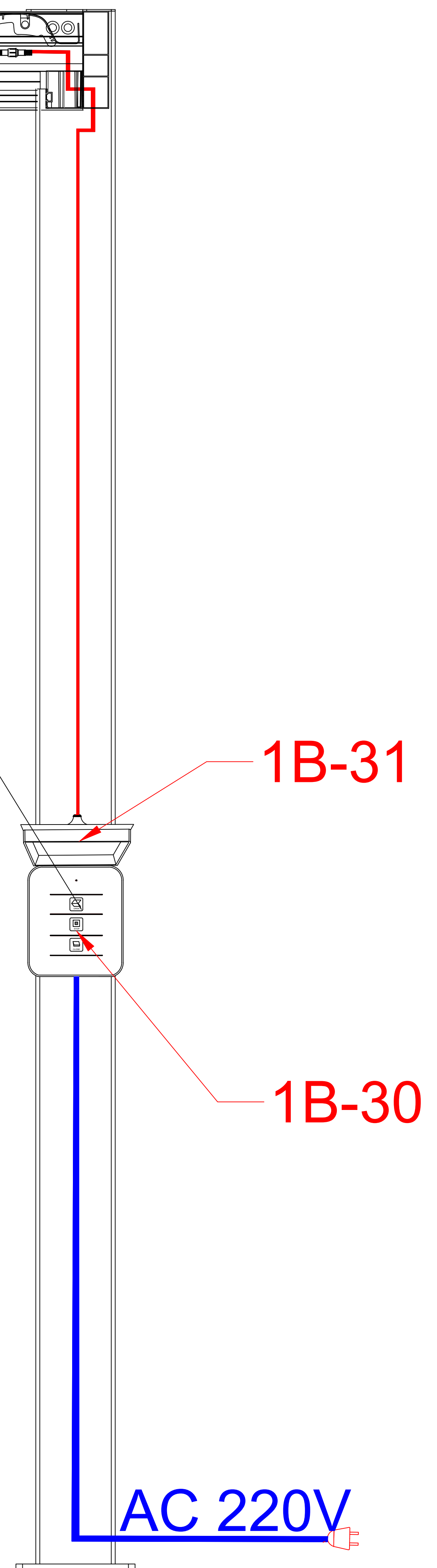
# The control box is on the post



Motor controller

## Wires Diagram

Power in: 220V  
Power Out To  
Motor: DC24V



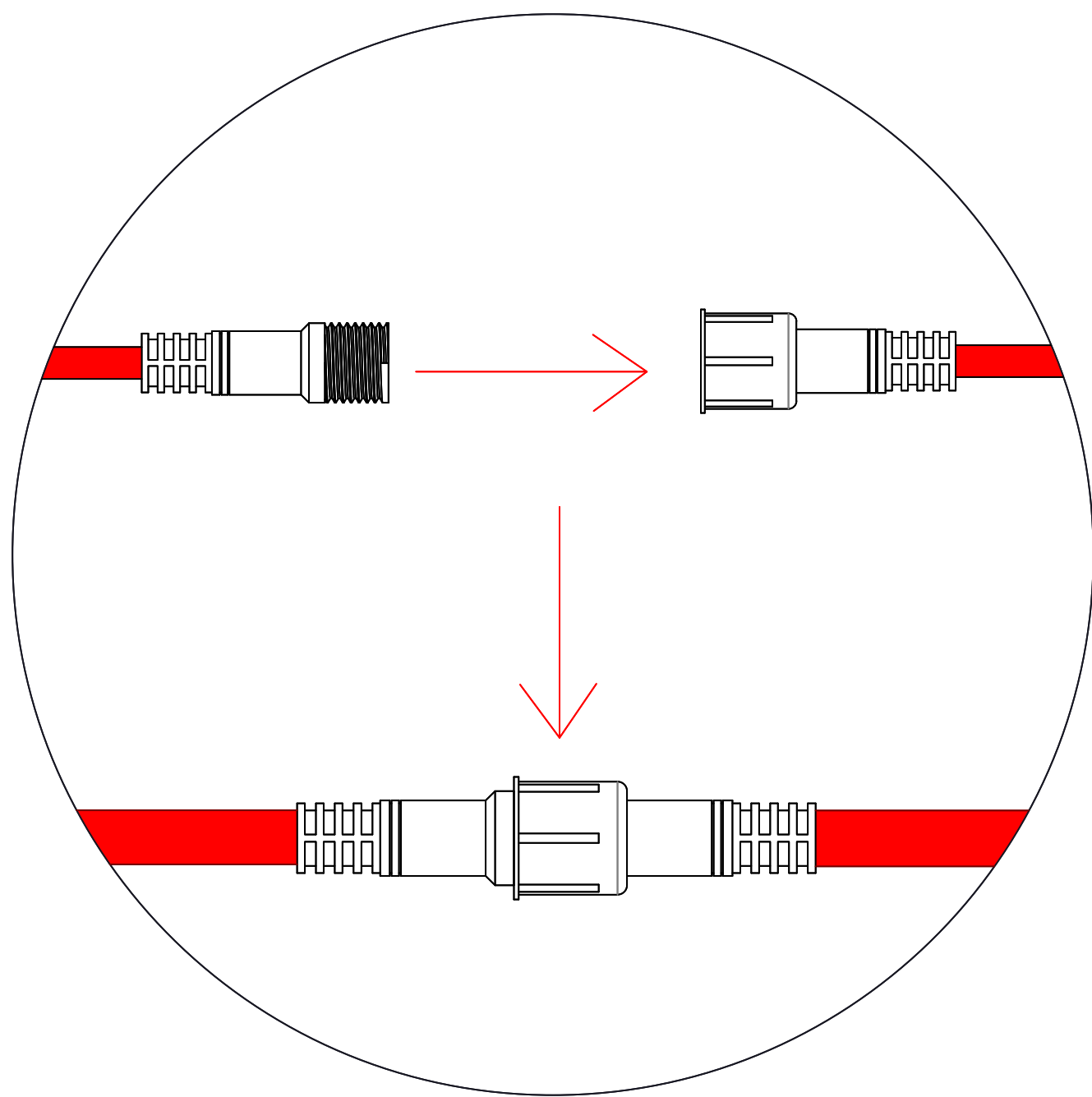
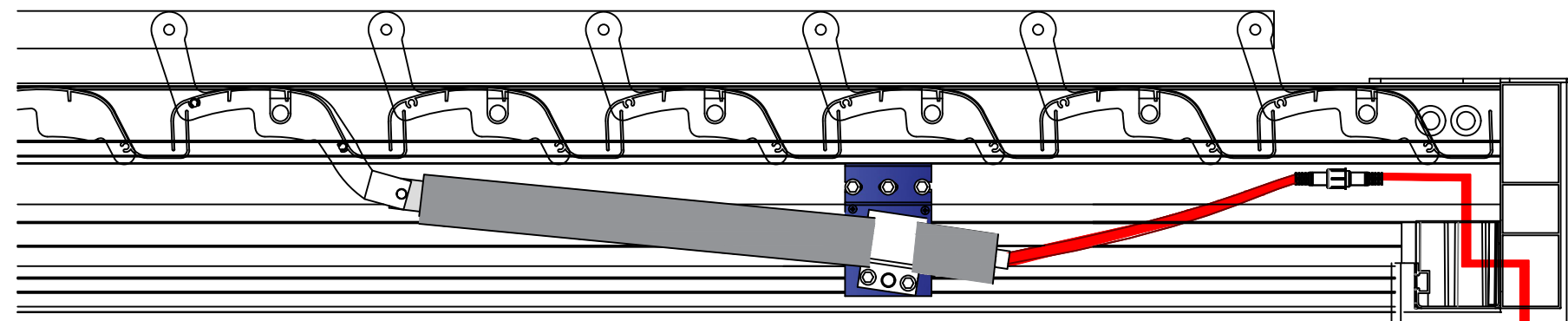
|       |  |   |
|-------|--|---|
| 1B-30 |  | 2 |
| 1B-31 |  | 2 |







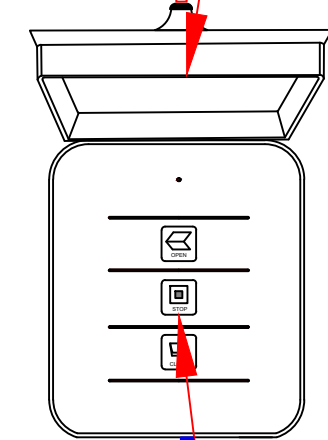
The control box is not on the post



Wires Diagram

Power in: 220V  
Power Out To  
Motor: DC24V

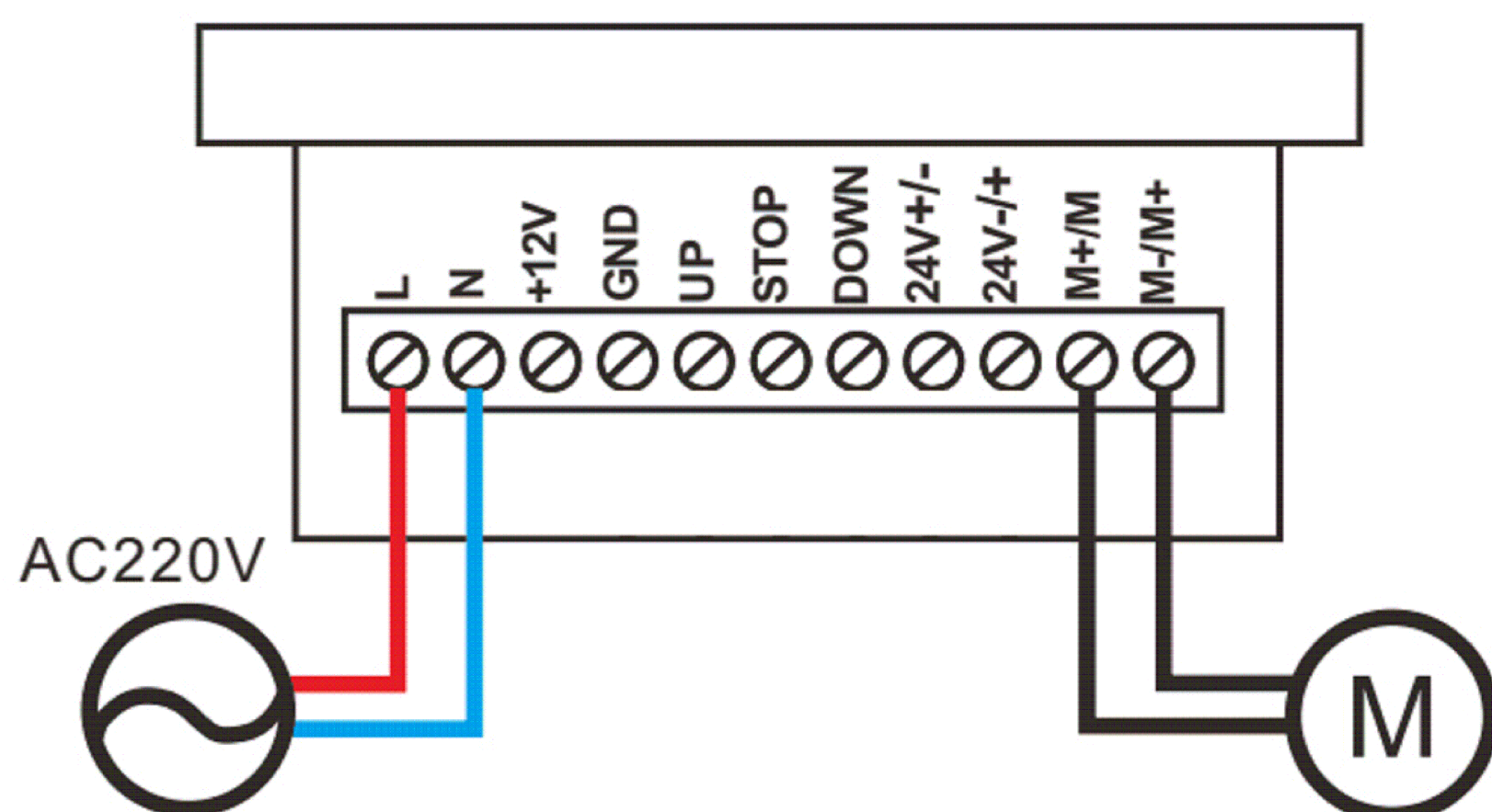
**MOTOR**  
1B-31



1B-30

AC 220V

E022  
E012



|       |  |   |
|-------|--|---|
| 1B-30 |  | 2 |
| 1B-31 |  | 2 |

