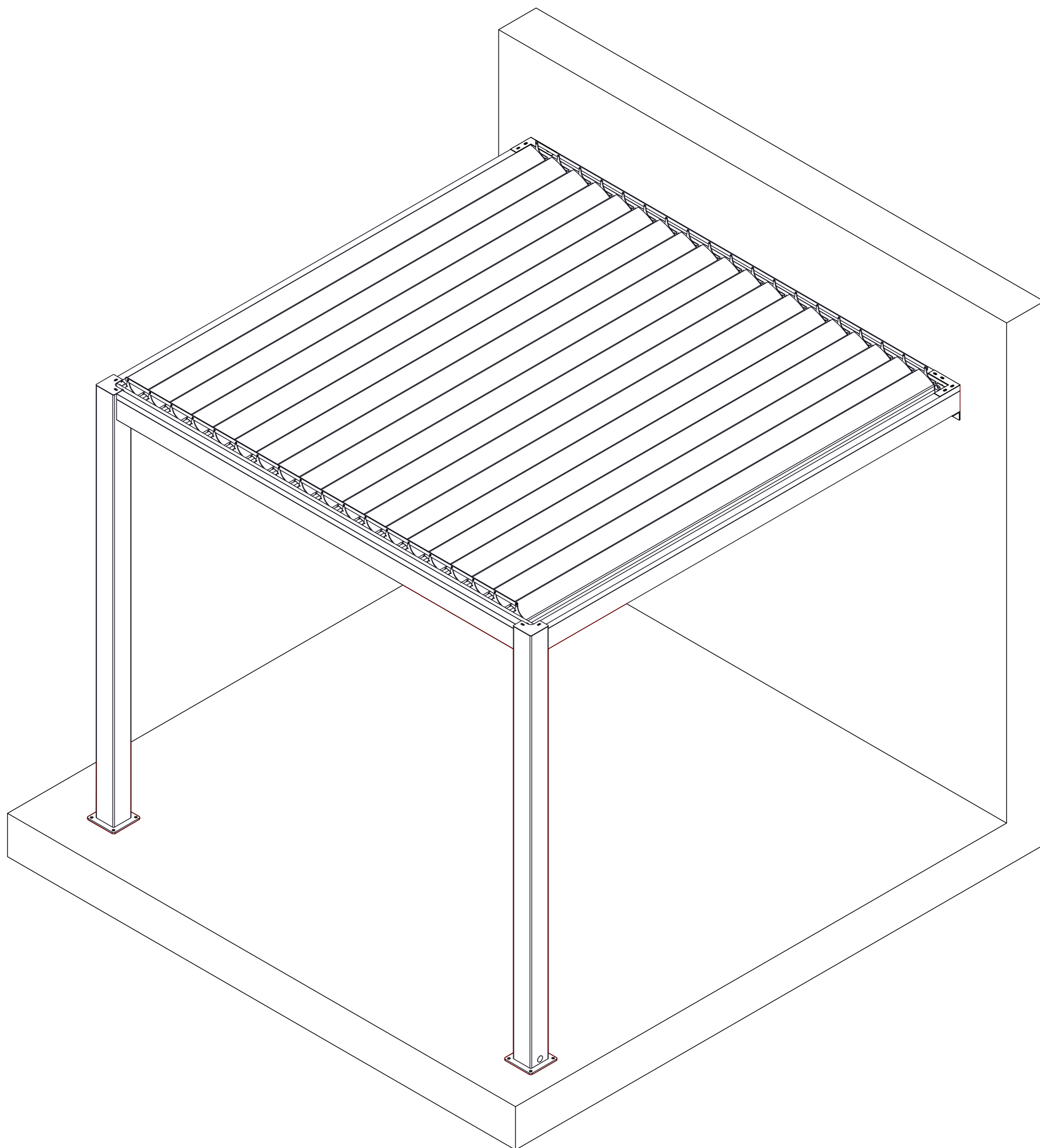
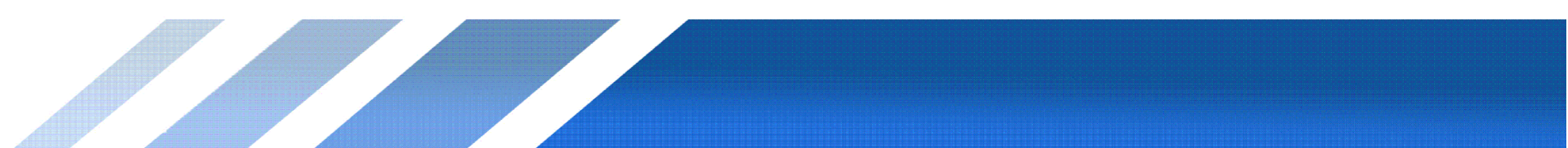
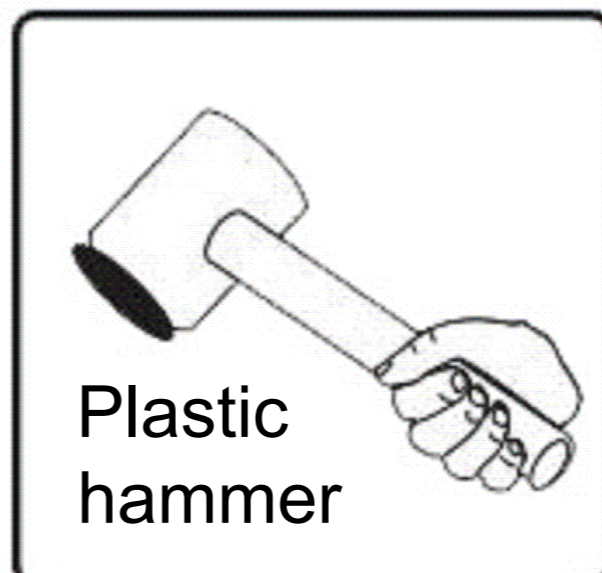
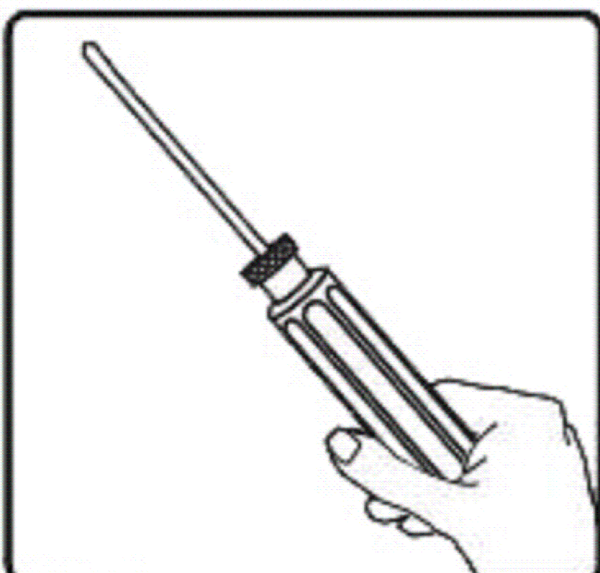
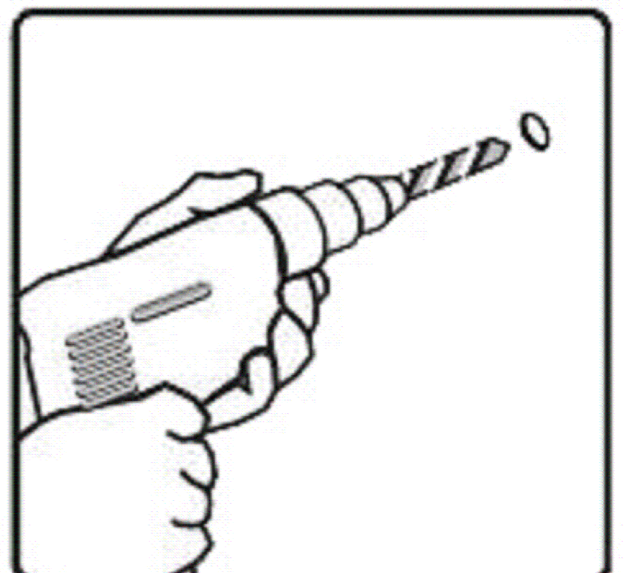
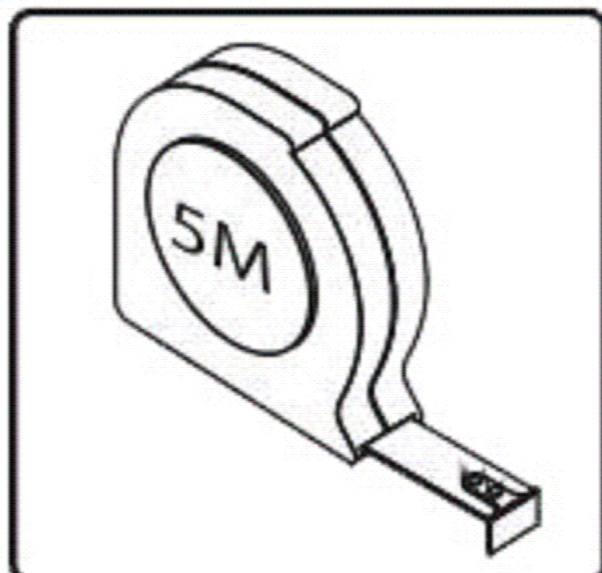
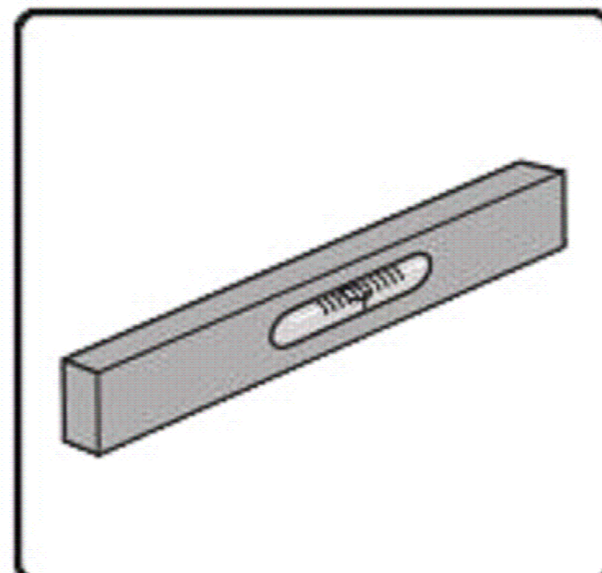
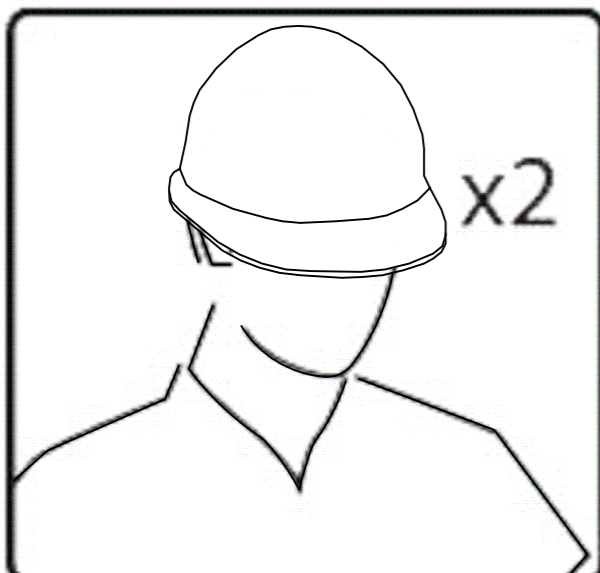
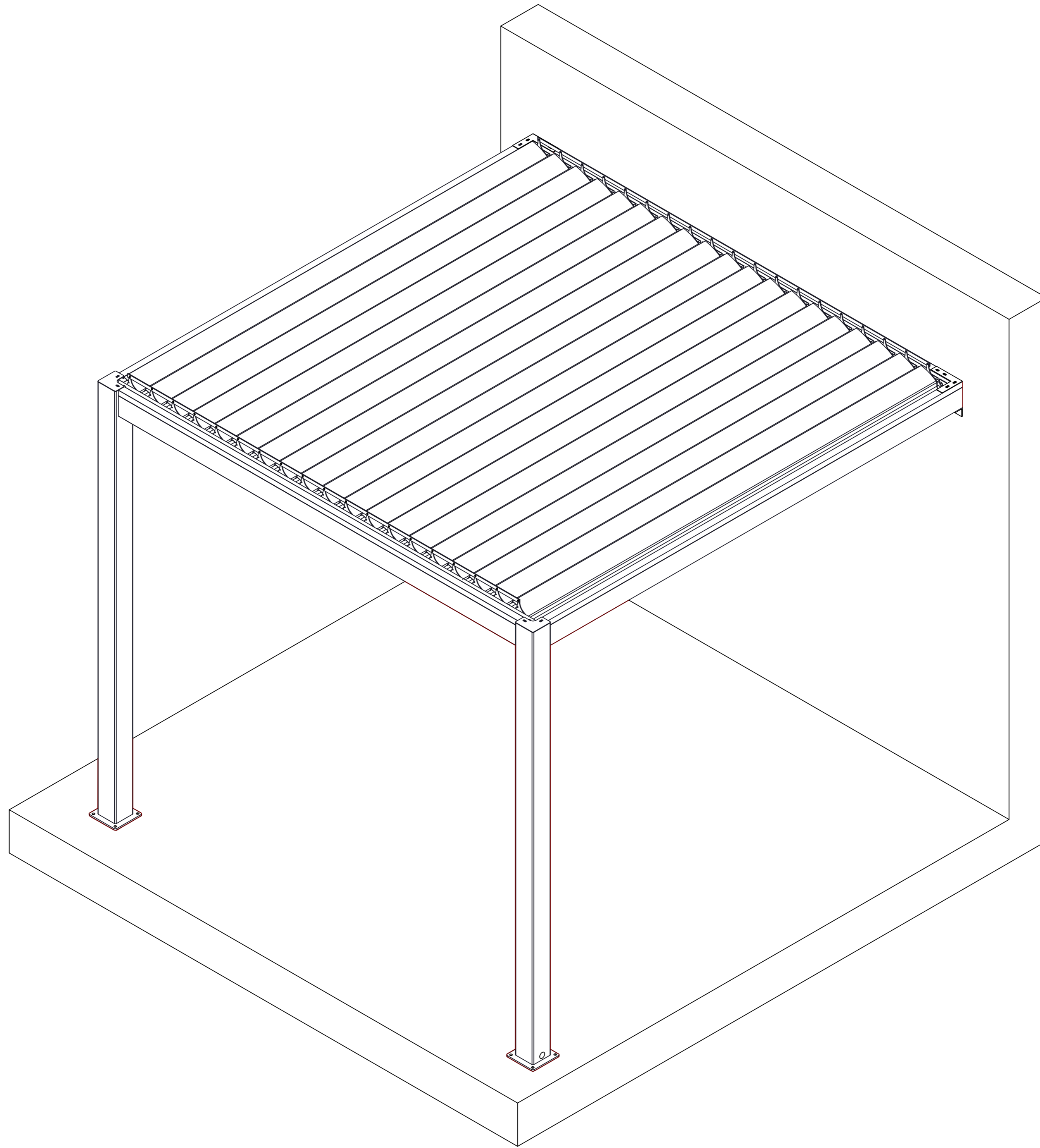




MANUAL PERGOLA WALL MOUNTED 2 POSTS

ELECTRIC 3x4m



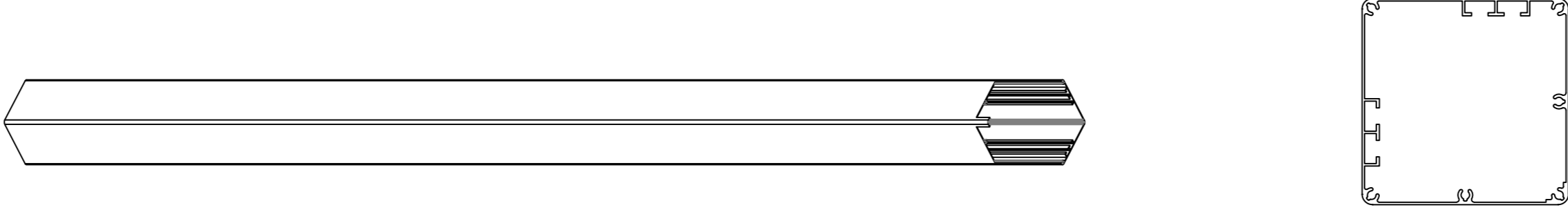
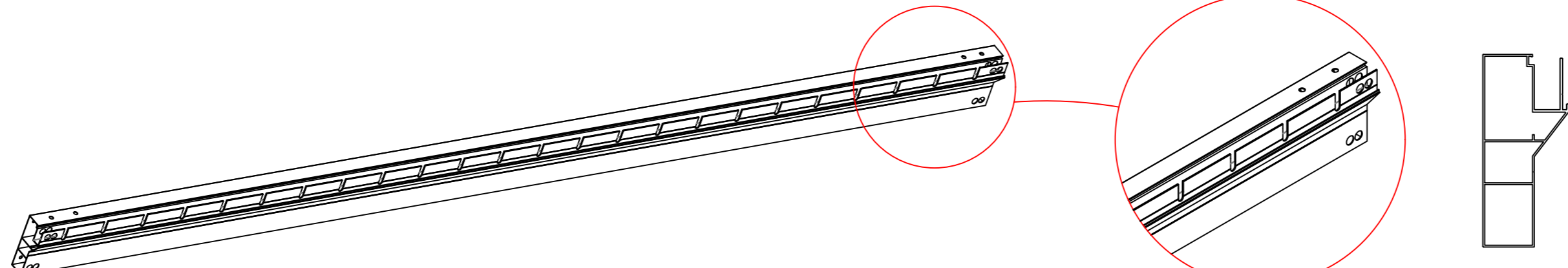
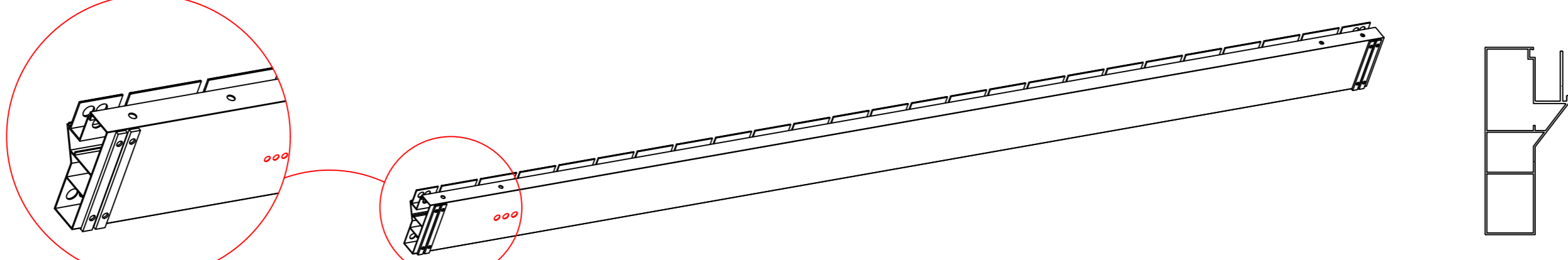
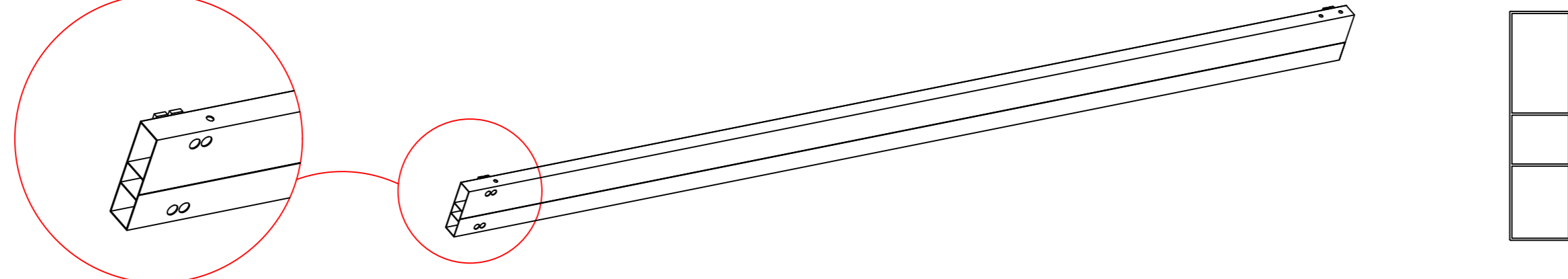
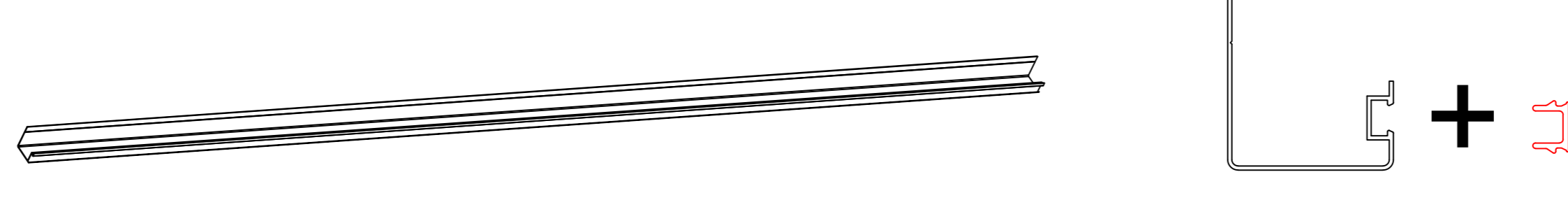
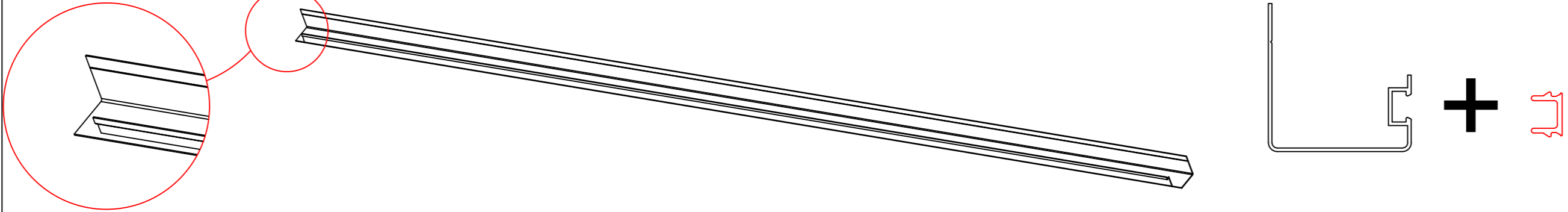
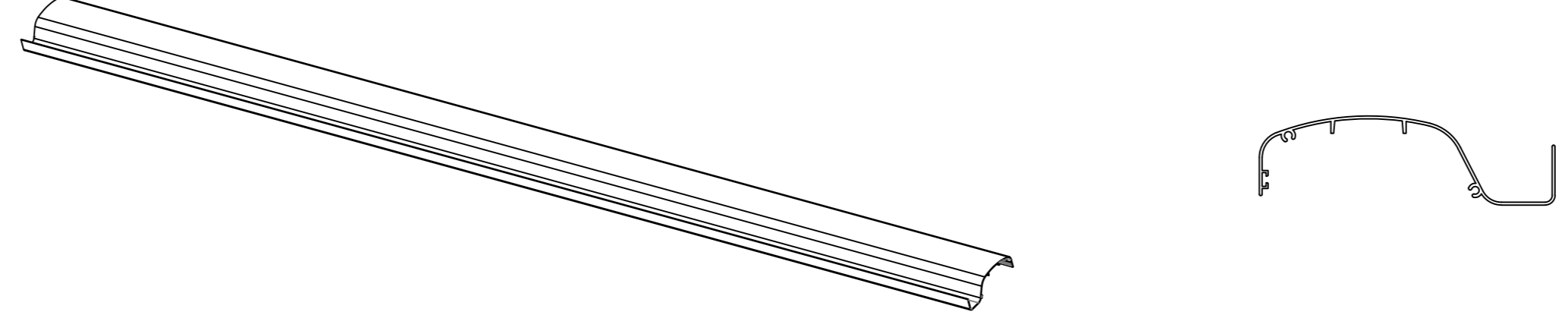
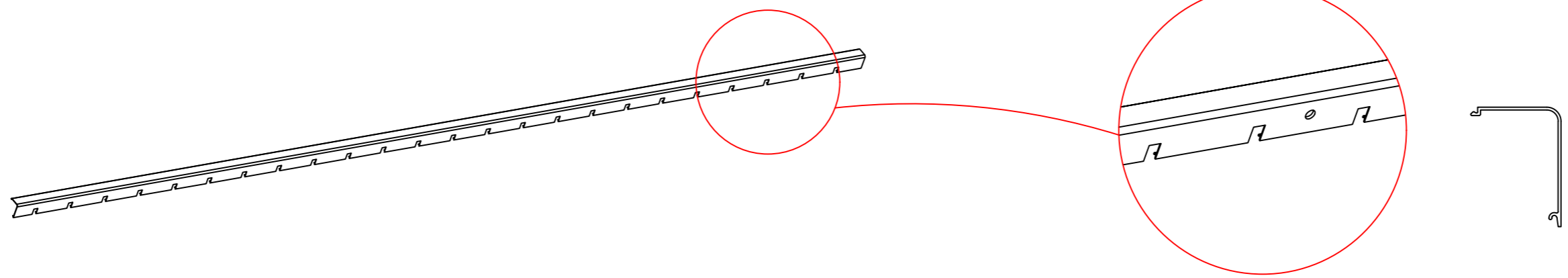
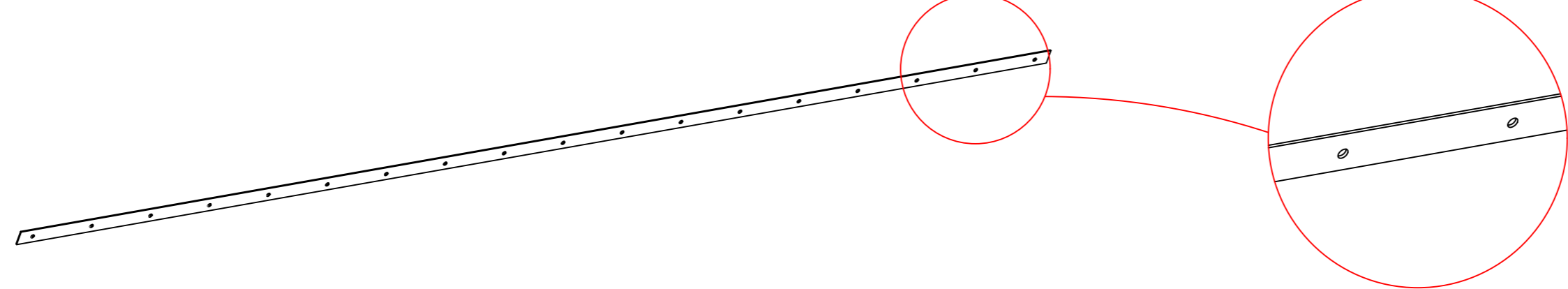
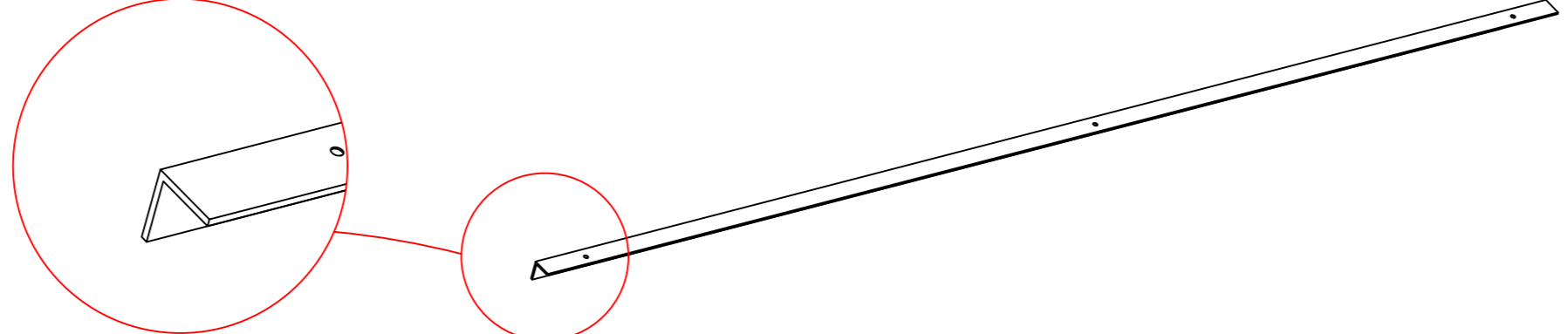
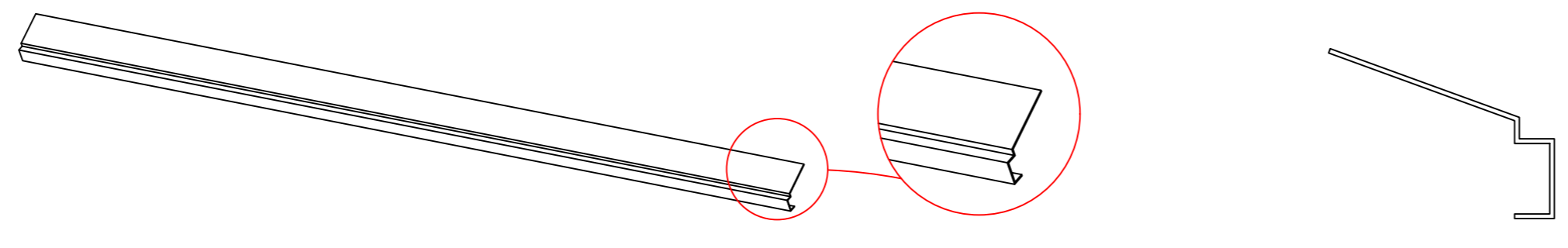




	Item	Qty	Item	Qty	Item	Qty
Carton 1/4	1B-01	2	1B-11	2	1B-51	132+
	1B-13	2	1B-14	1	1B-15	1
	1B-18	1	1B-19	12+	1B-20	66+
	1B-21	8	1B-22	12+	1B-23	32+
	1B-24	1	1B-36	8	1B-38	4
	1B-39	12+	1B-40	2	1B-41	2
	1B-42	8	1B-30	1	1B-31	1
	1B-48	32+	1B-49	33+	1B-50	1
	1B-12	2	1B-35	2	1B-64	1
Carton 2/4	1B-02	1	1B-03	1	1B-04	2
	1B-05/ 05B	4	1B-08	2	1B-09	2
	1B-34	1	1B-29	2		
Carton 3/4	1B-06	12				
Carton 4/4	1B-06	21				





Item	Drawings	Qty
1B-01		2
1B-02		1
1B-03		1
1B-04		2
1B-05		3
1B-05B		1
1B-06		33
1B-08		2
1B-09		2
1B-34		1
1B-29		2

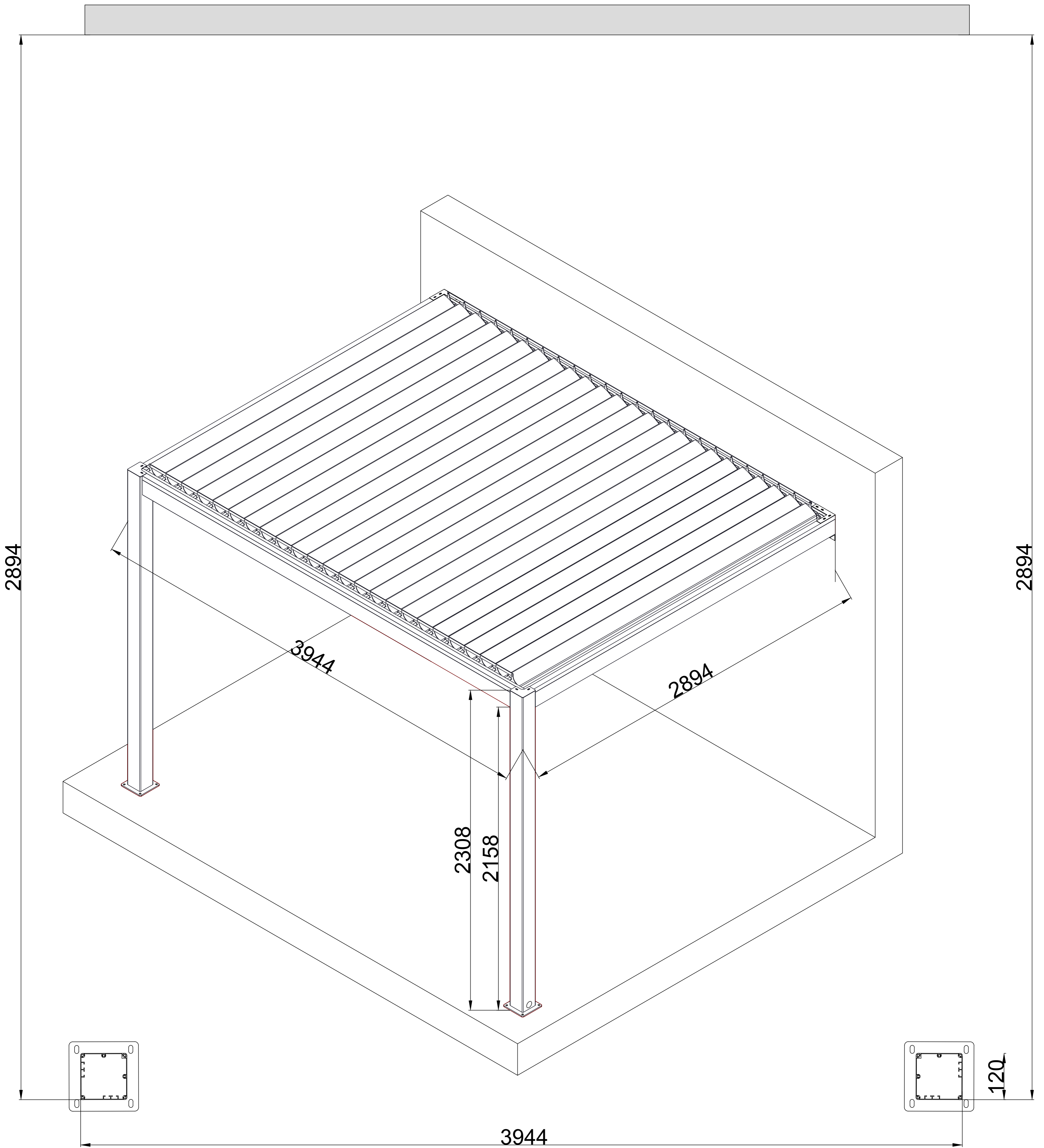




Item	Drawings	Qty
1B-11		2
1B-12		2
1B-13		2
1B-14		1
1B-15		1
1B-18		1
1B-19		12+
1B-20		66+
1B-21		8
1B-22		12+
1B-23		32+
1B-24		1
1B-35		2

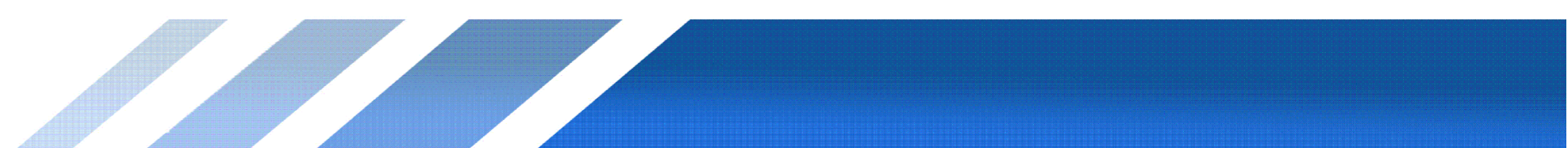
Item	Drawings	Qty
1B-30		1
1B-31		1
1B-36		8
1B-39		12+
1B-38		4
1B-40		2
1B-41		2
1B-42		8
1B-48		32+
1B-49		33+
1B-50		1
1B-51		132+
1B-64		1





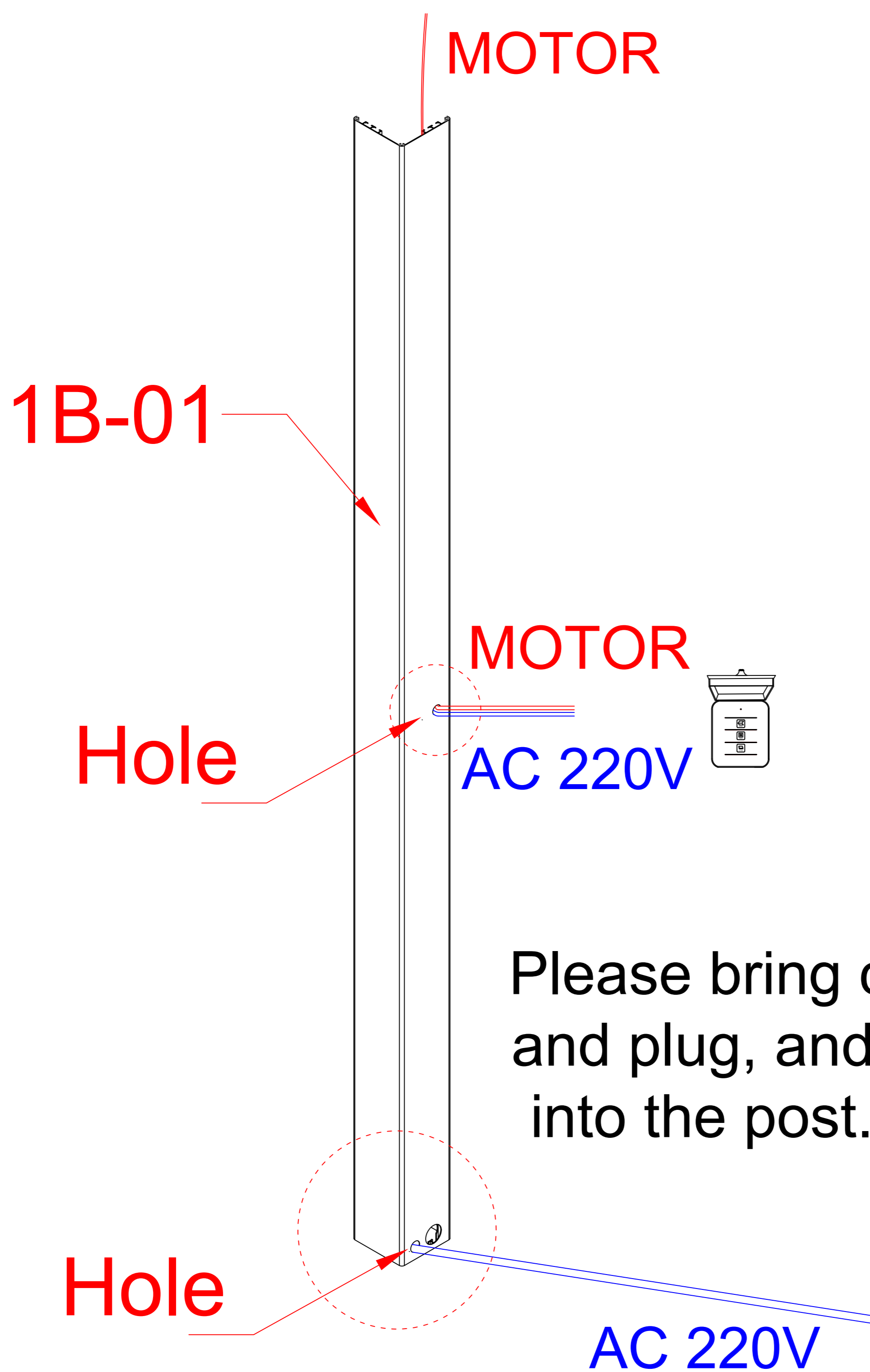
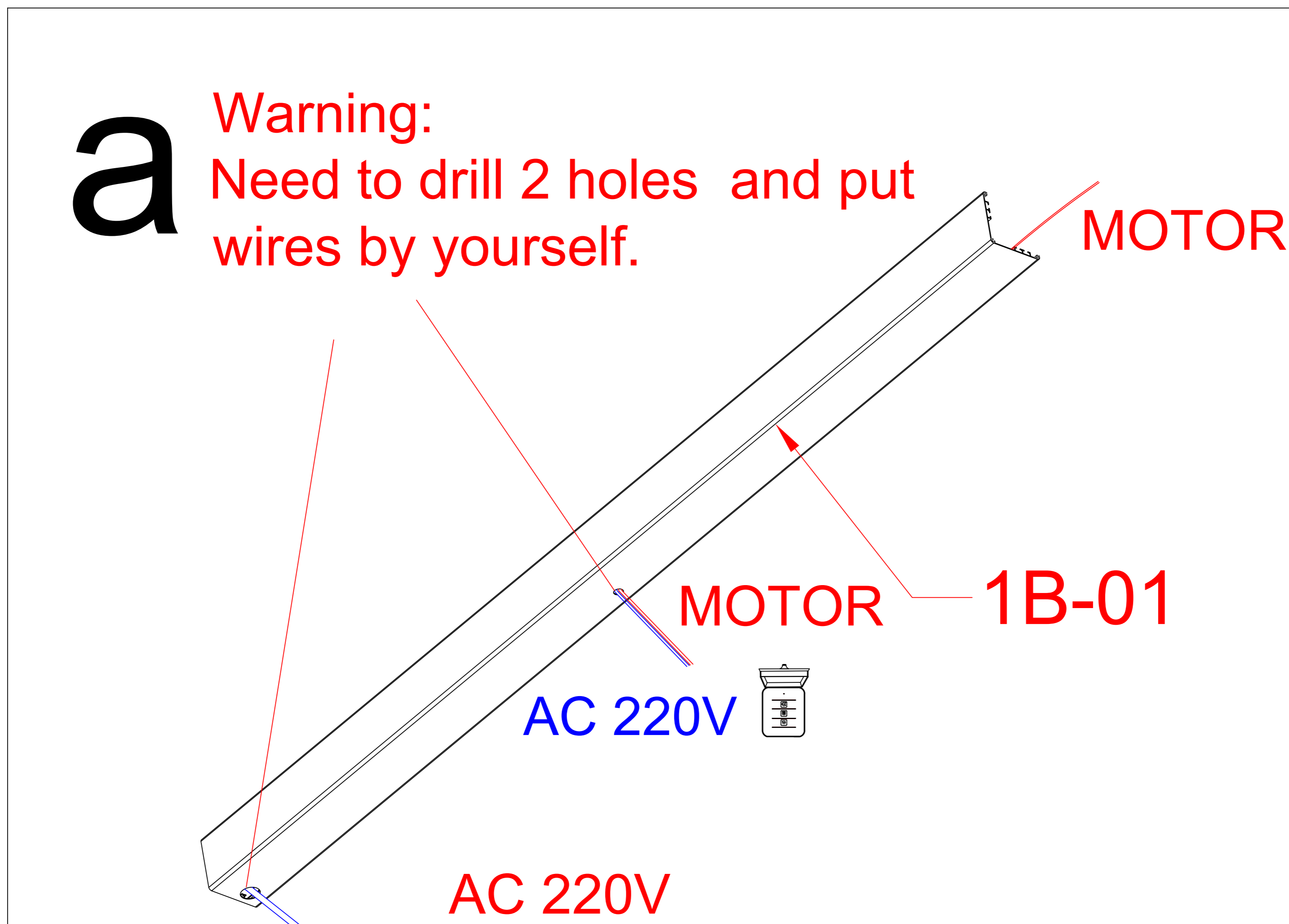
Warning :
In Snow / Wind season or in case of
snow / wind forecast open up your
shutters in vertical position to avoid
any damaging on your pergola.

3X4-4

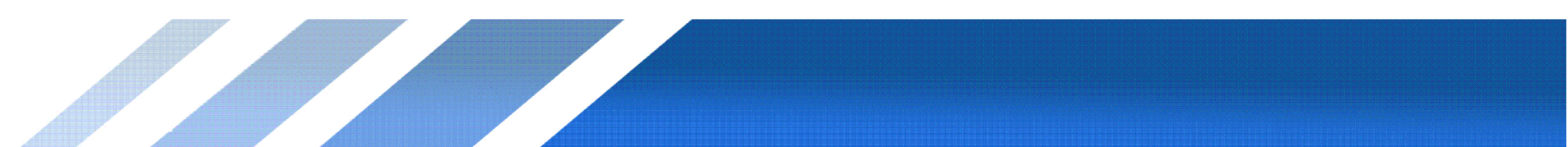




Motor Wires Diagram - The control box is on the post

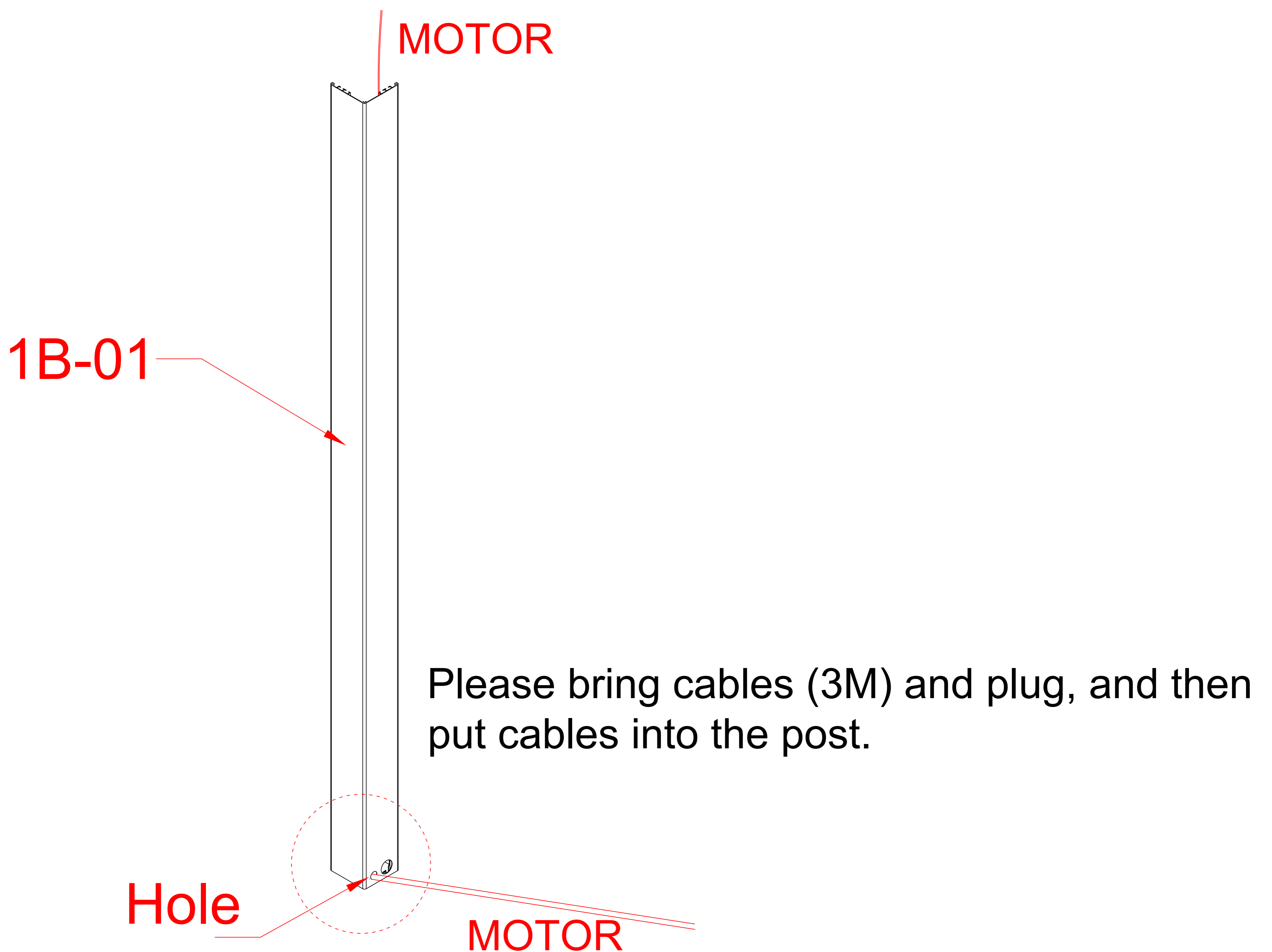
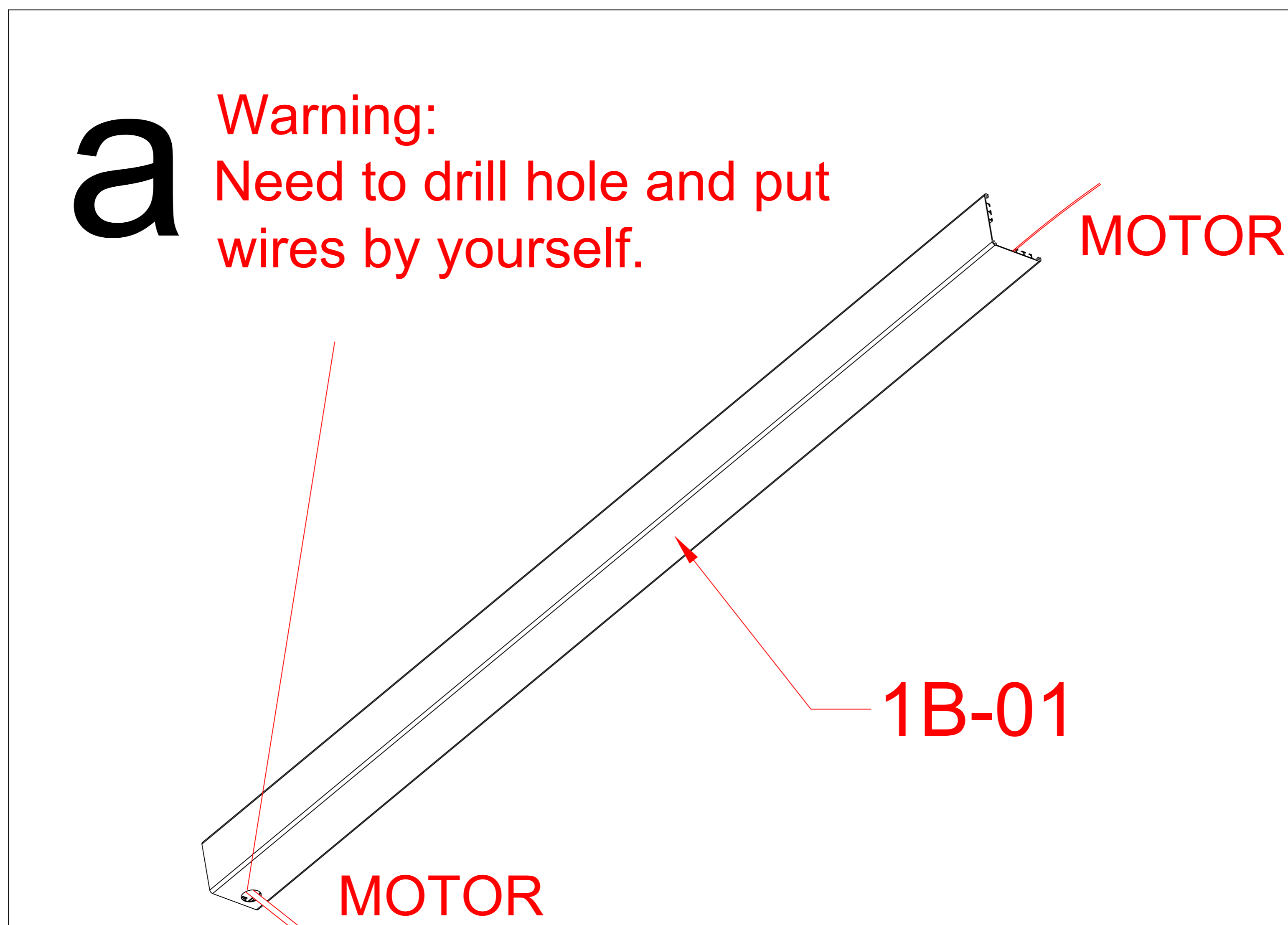


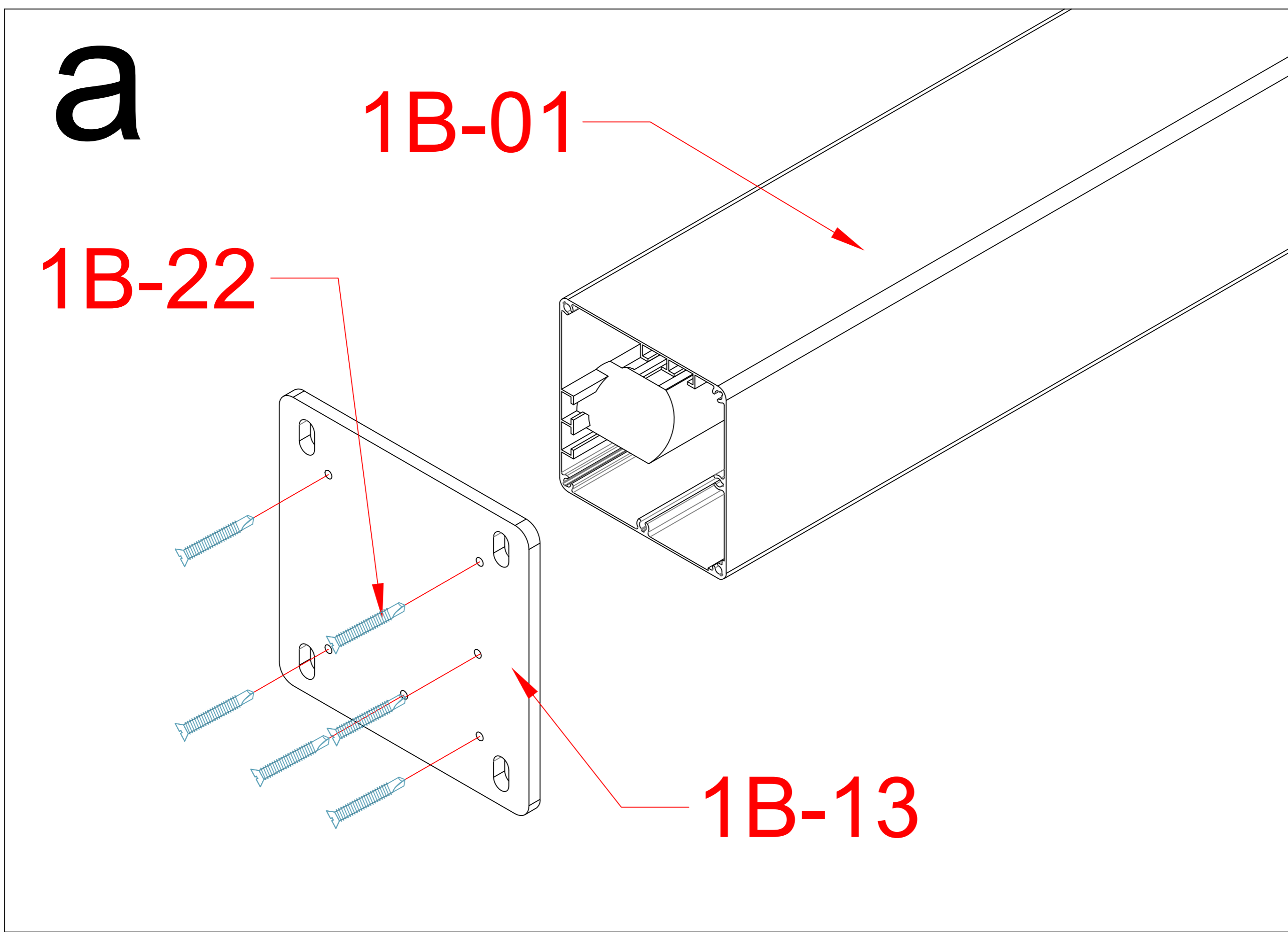
Please bring cables (1.5M), power cords (1.5M) and plug, and then put cables and power cords into the post.



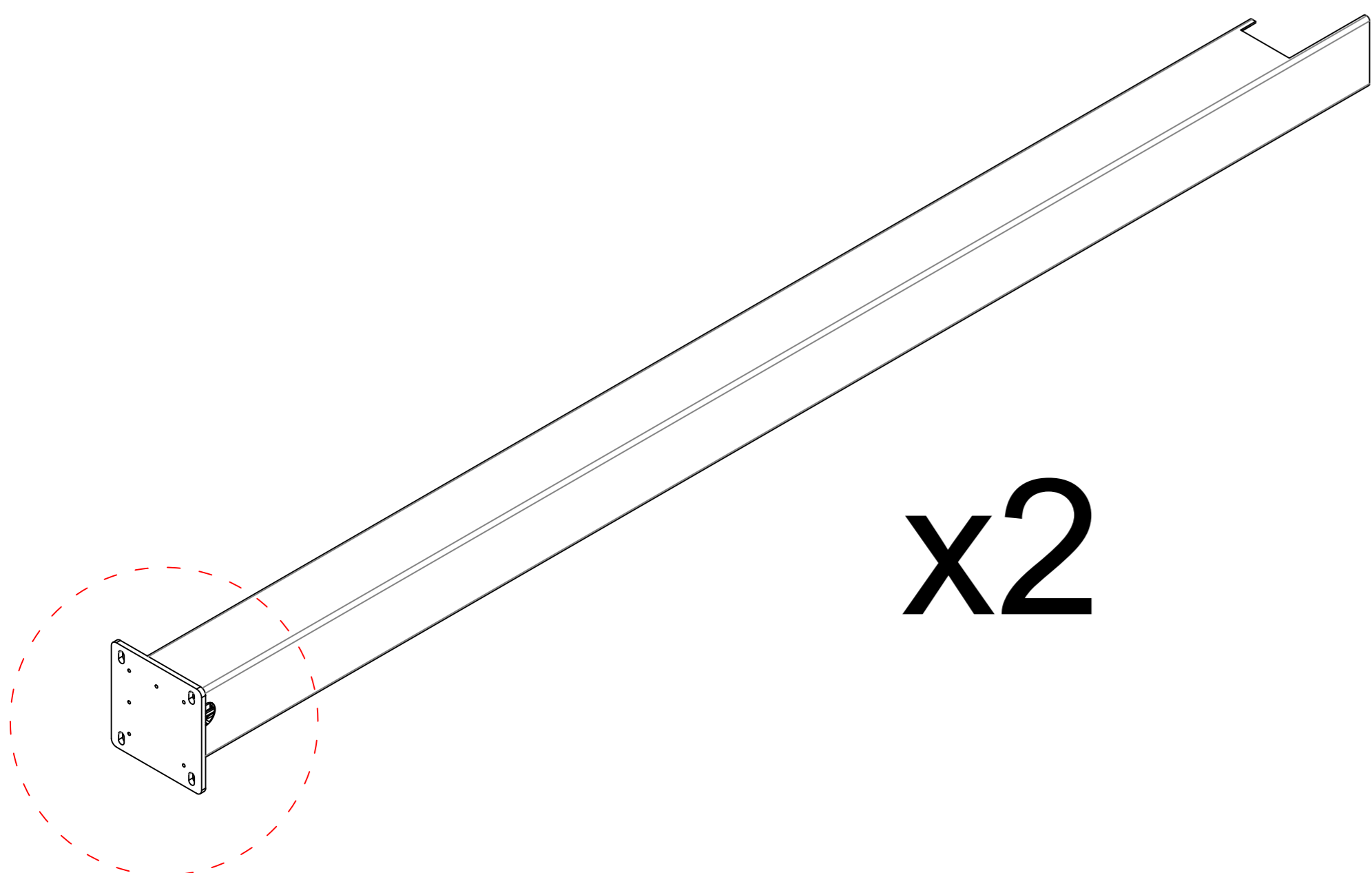
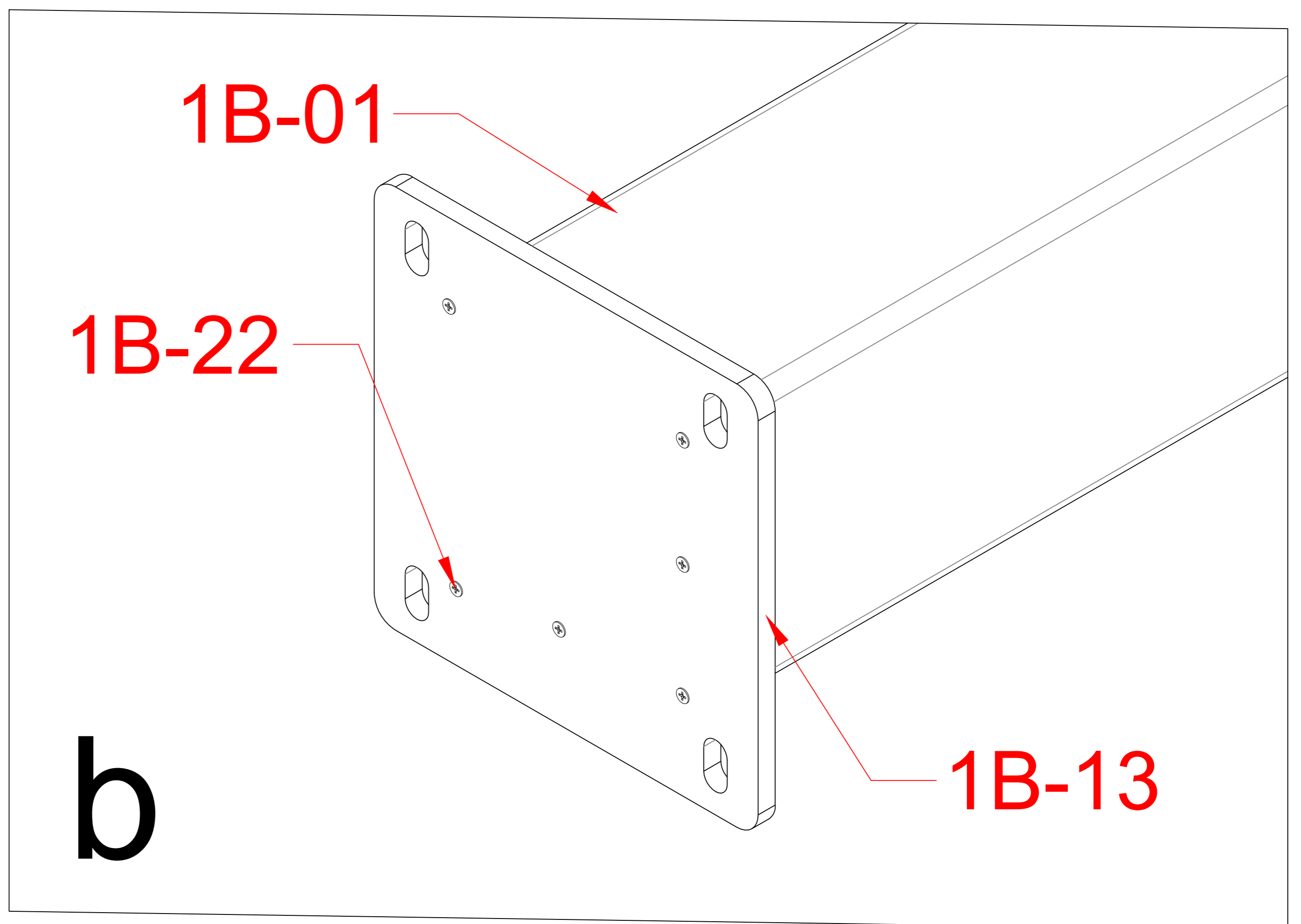


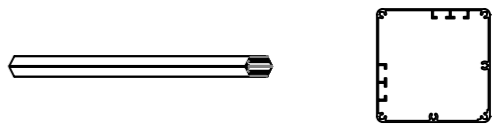
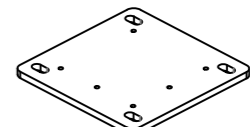
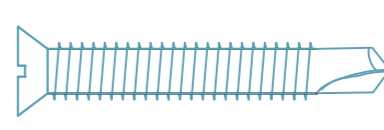
Motor Wires Diagram - The control box is not on the post

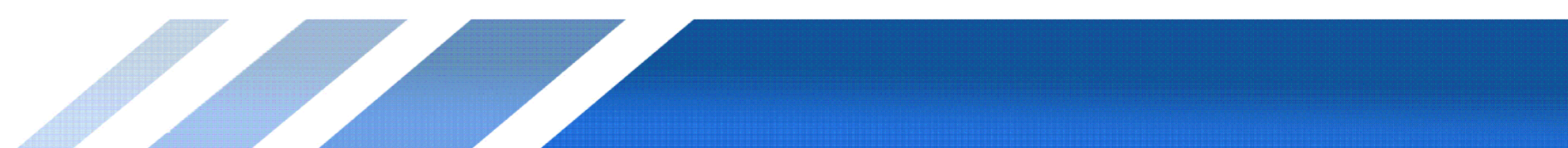


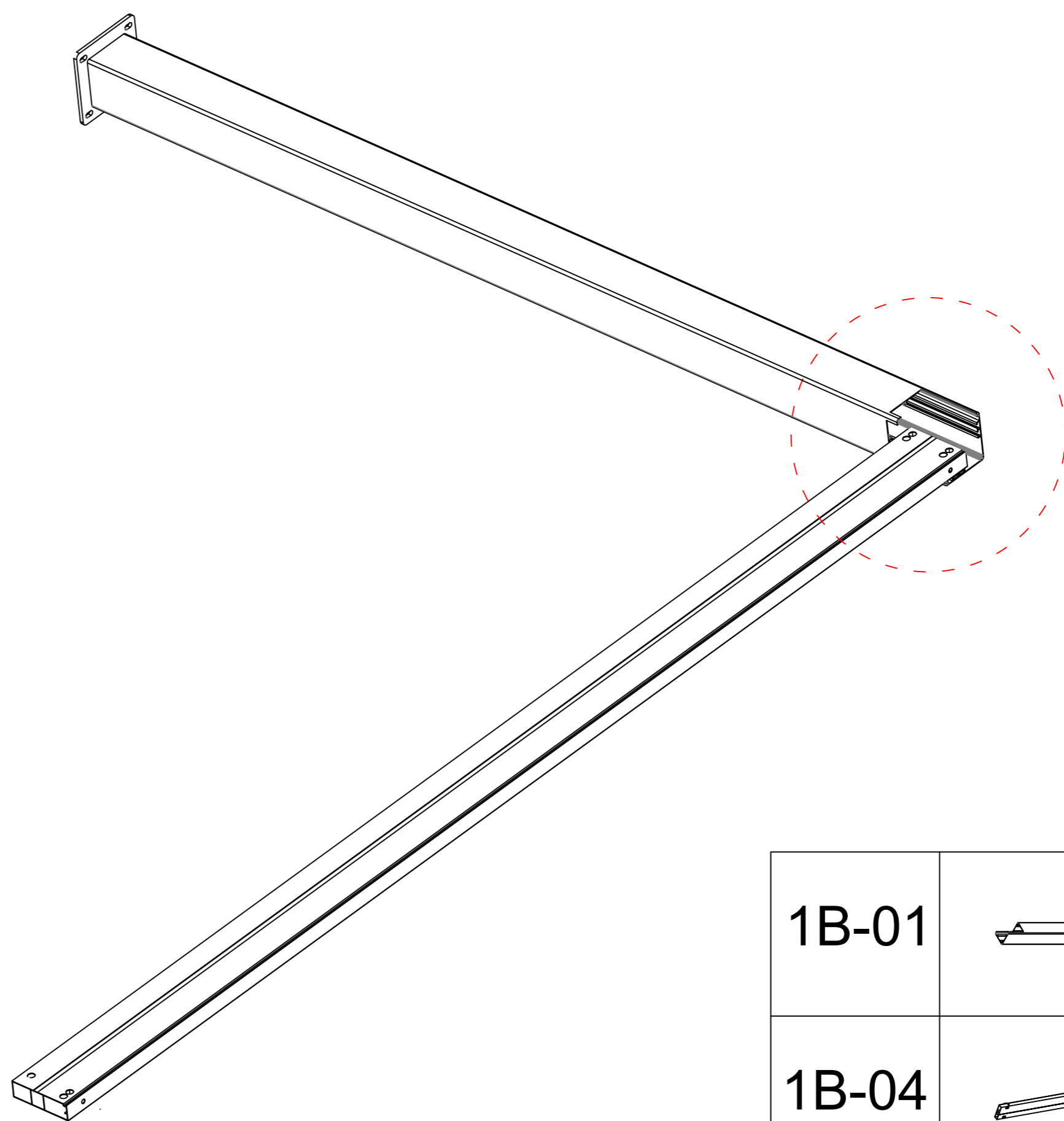
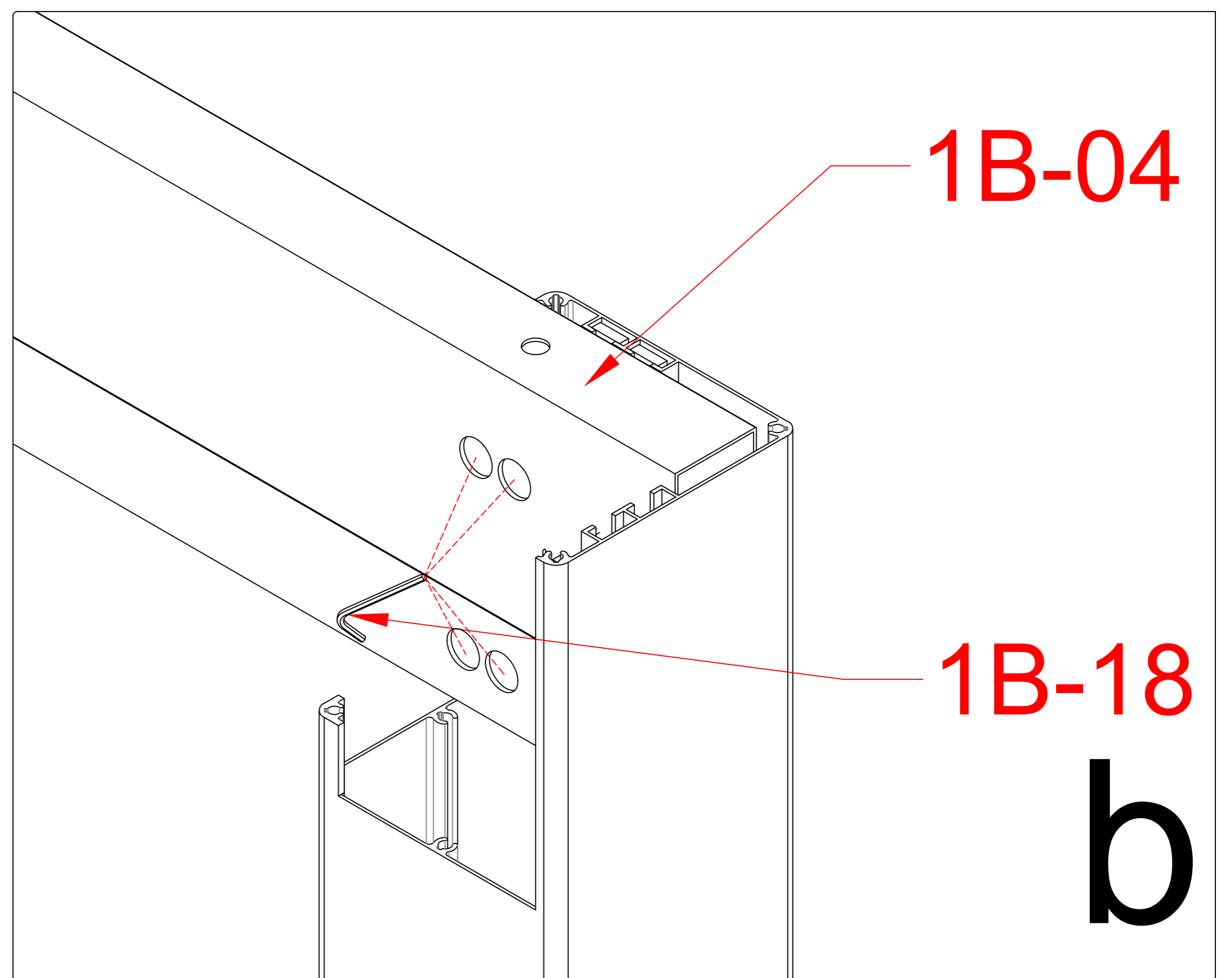
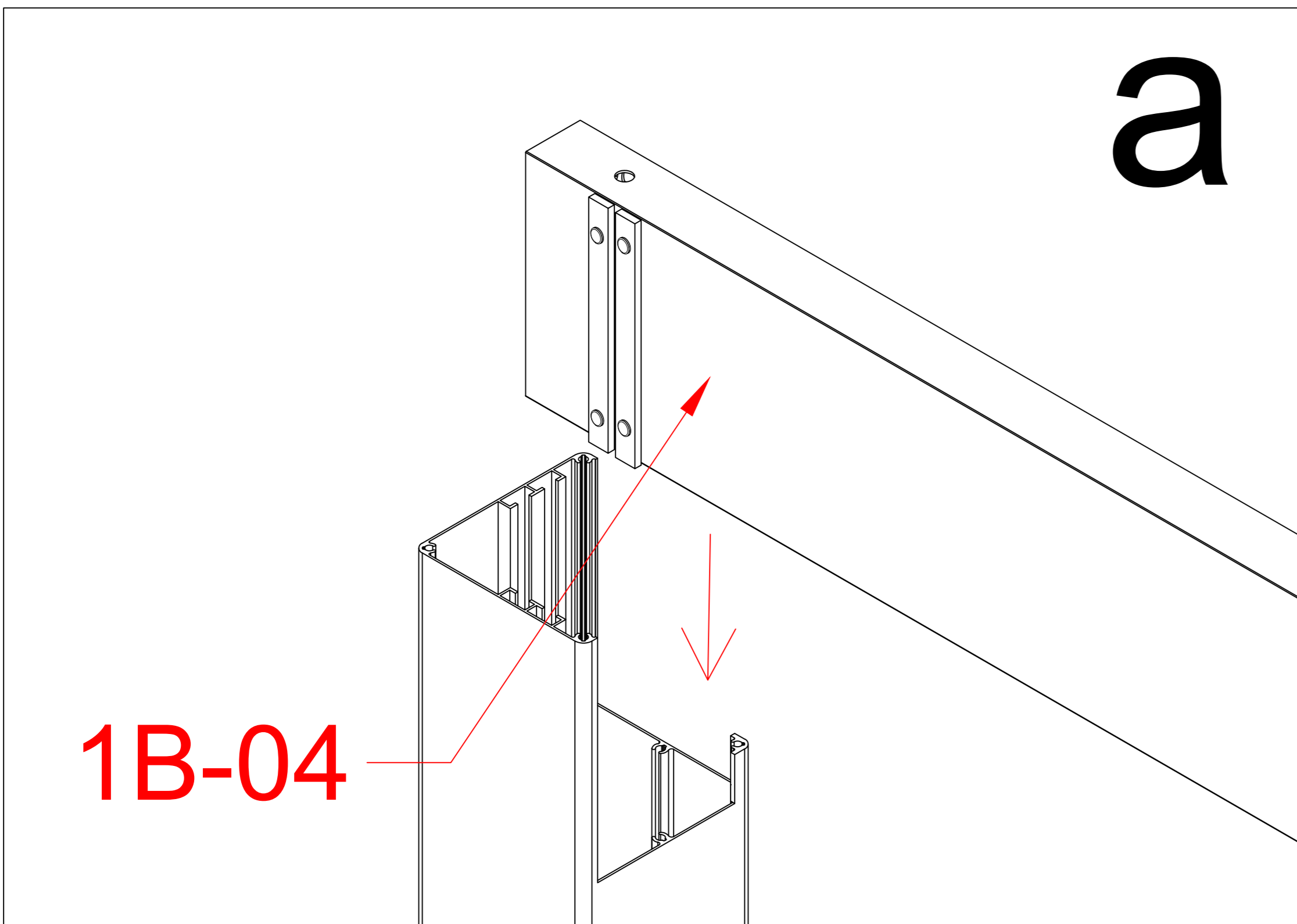


If there are electrical components including motor, blinds or LED light, Set the wire through the post firstly, otherwise it would be very difficult to do so after pergola was assembled.

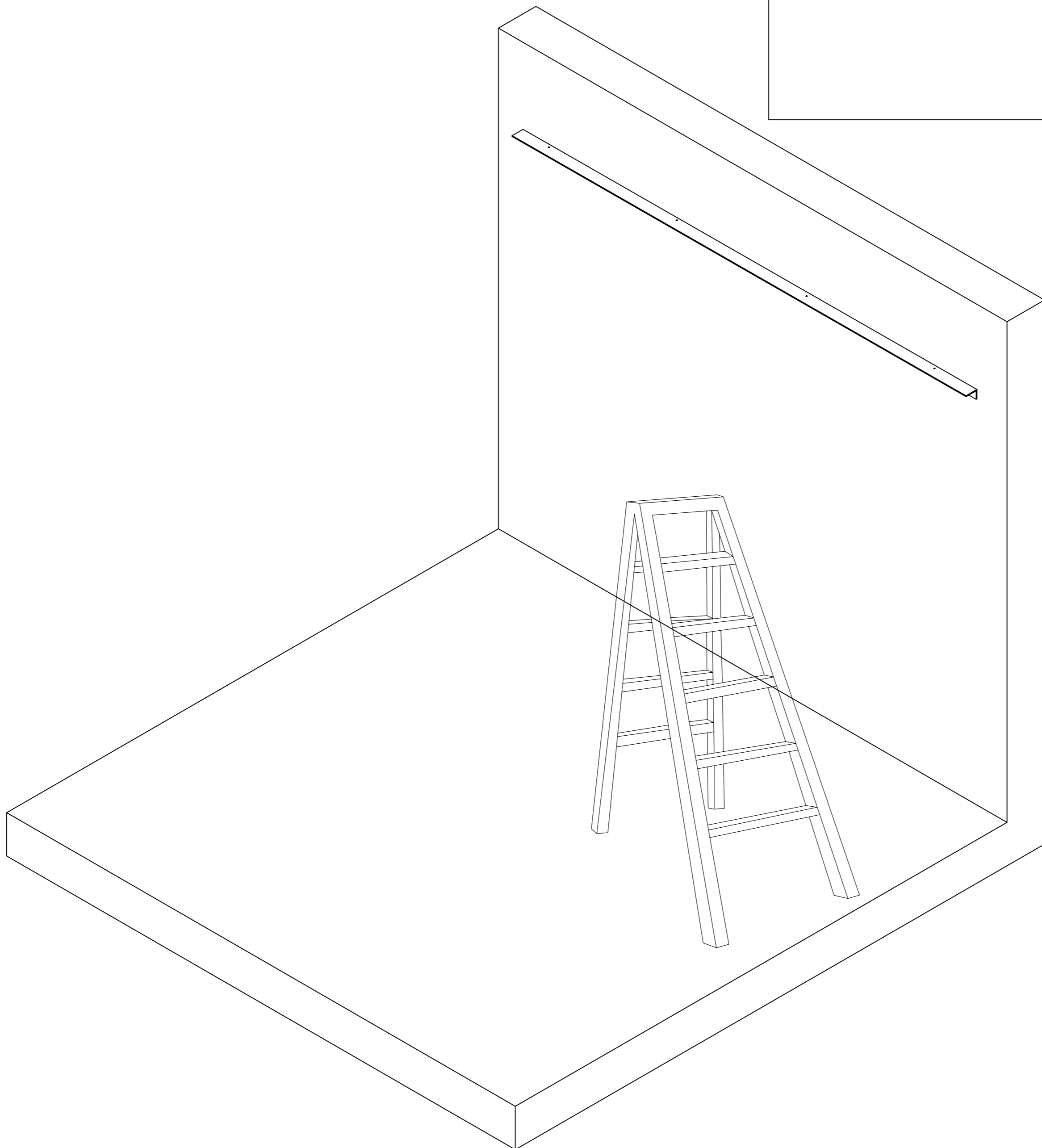
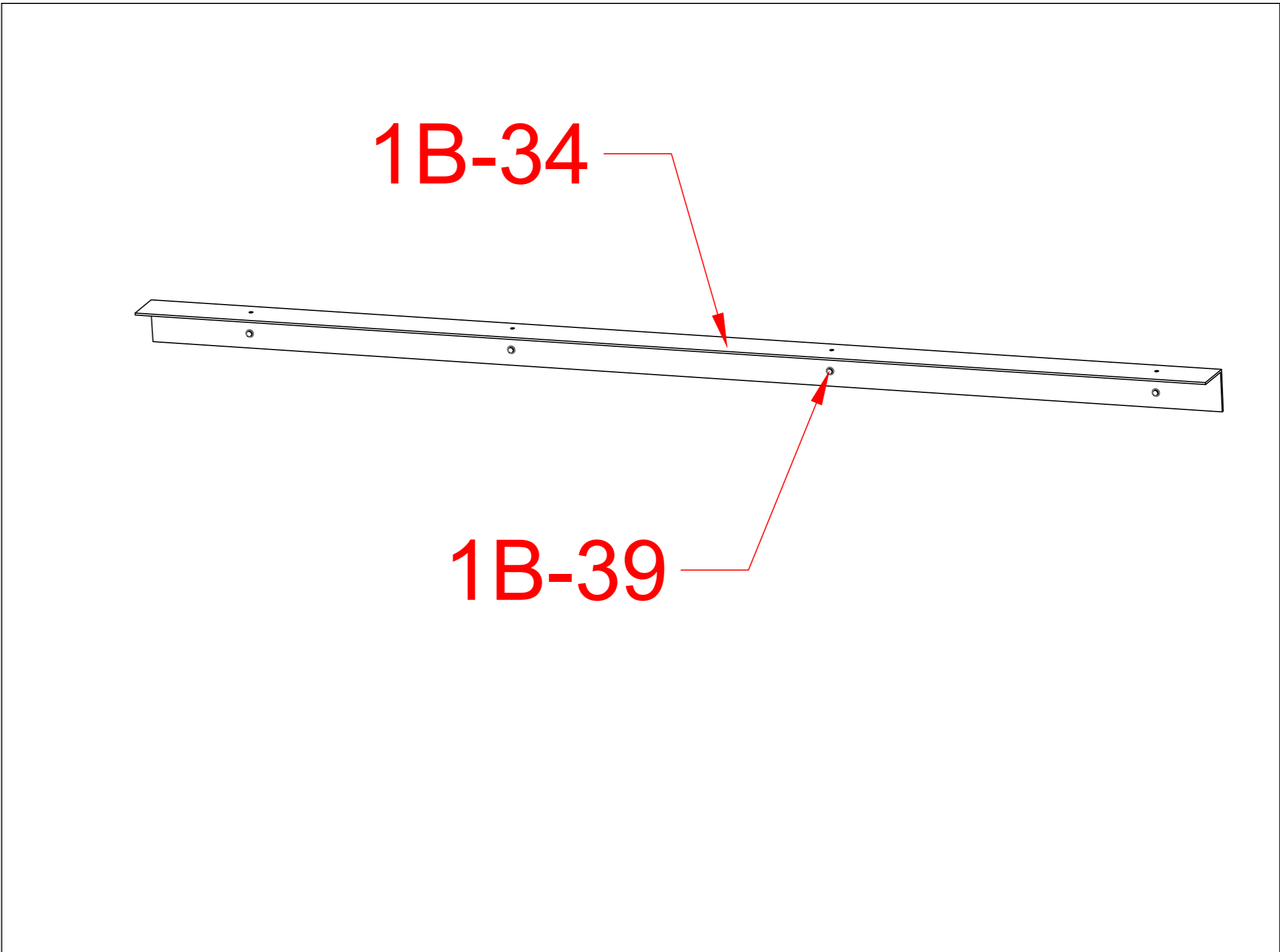
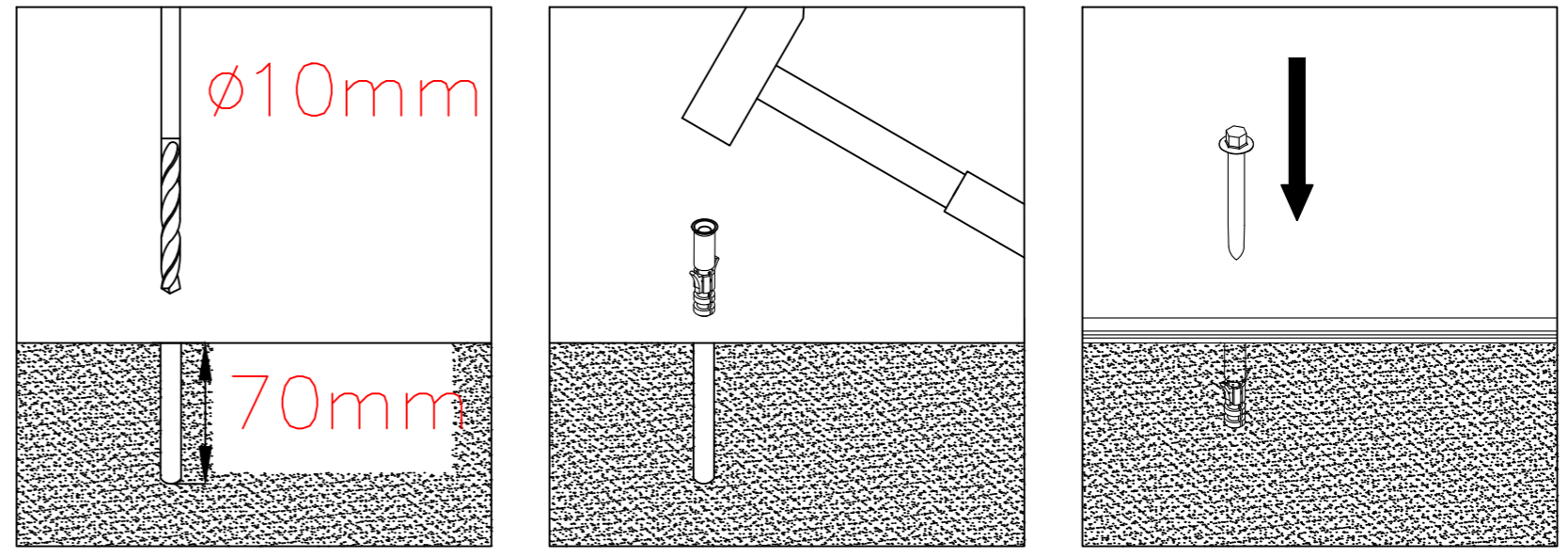
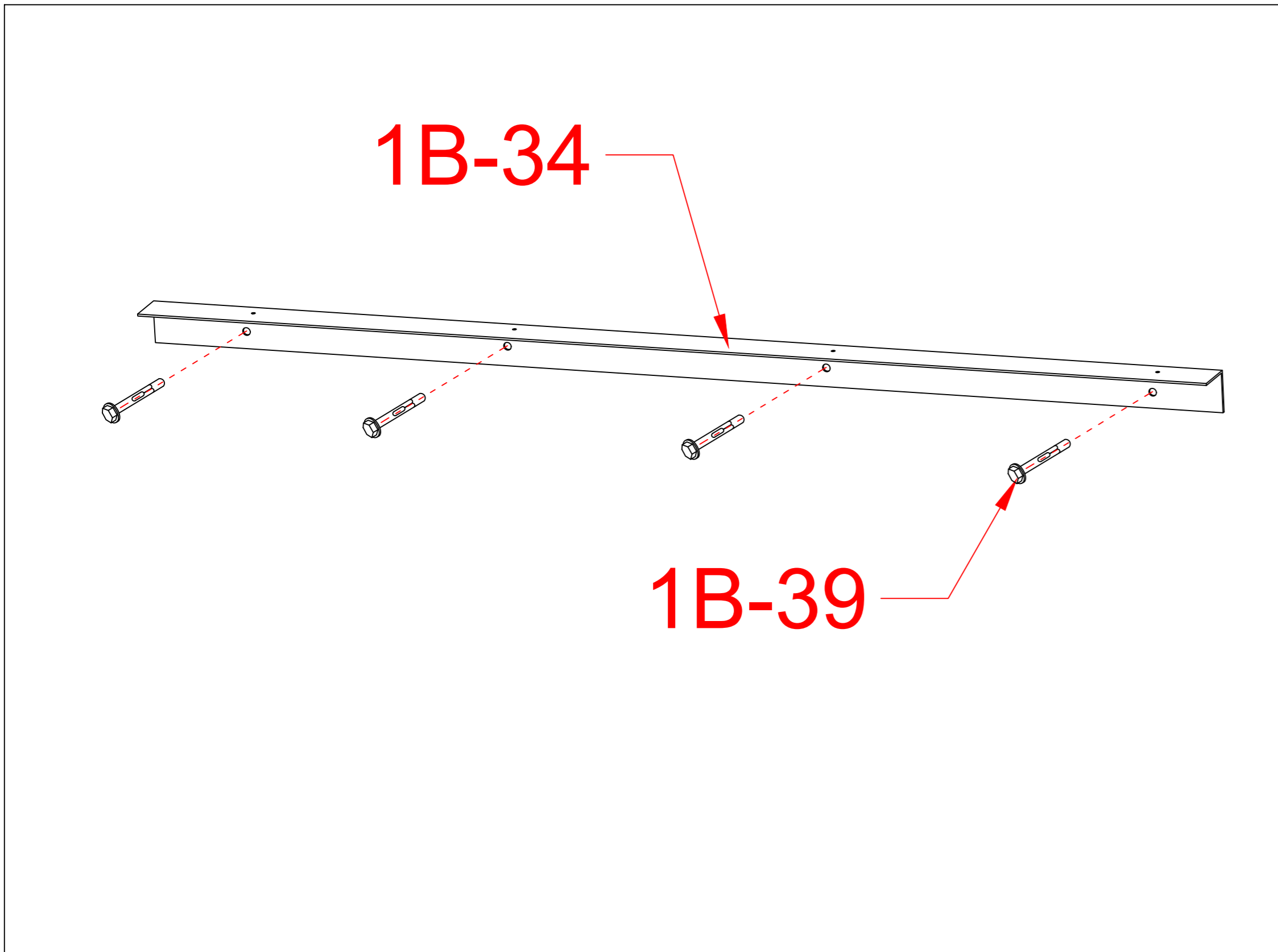


1B-01		2
1B-13		2
1B-22		12

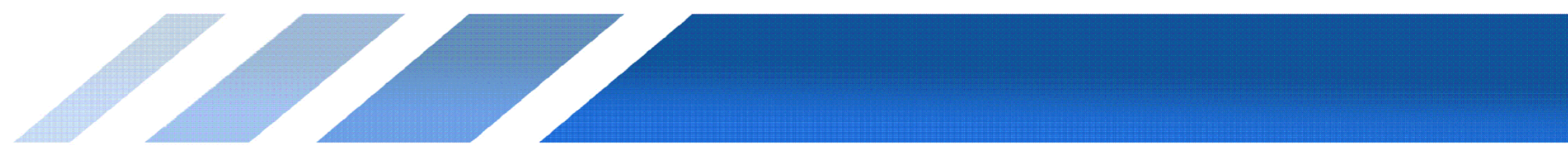


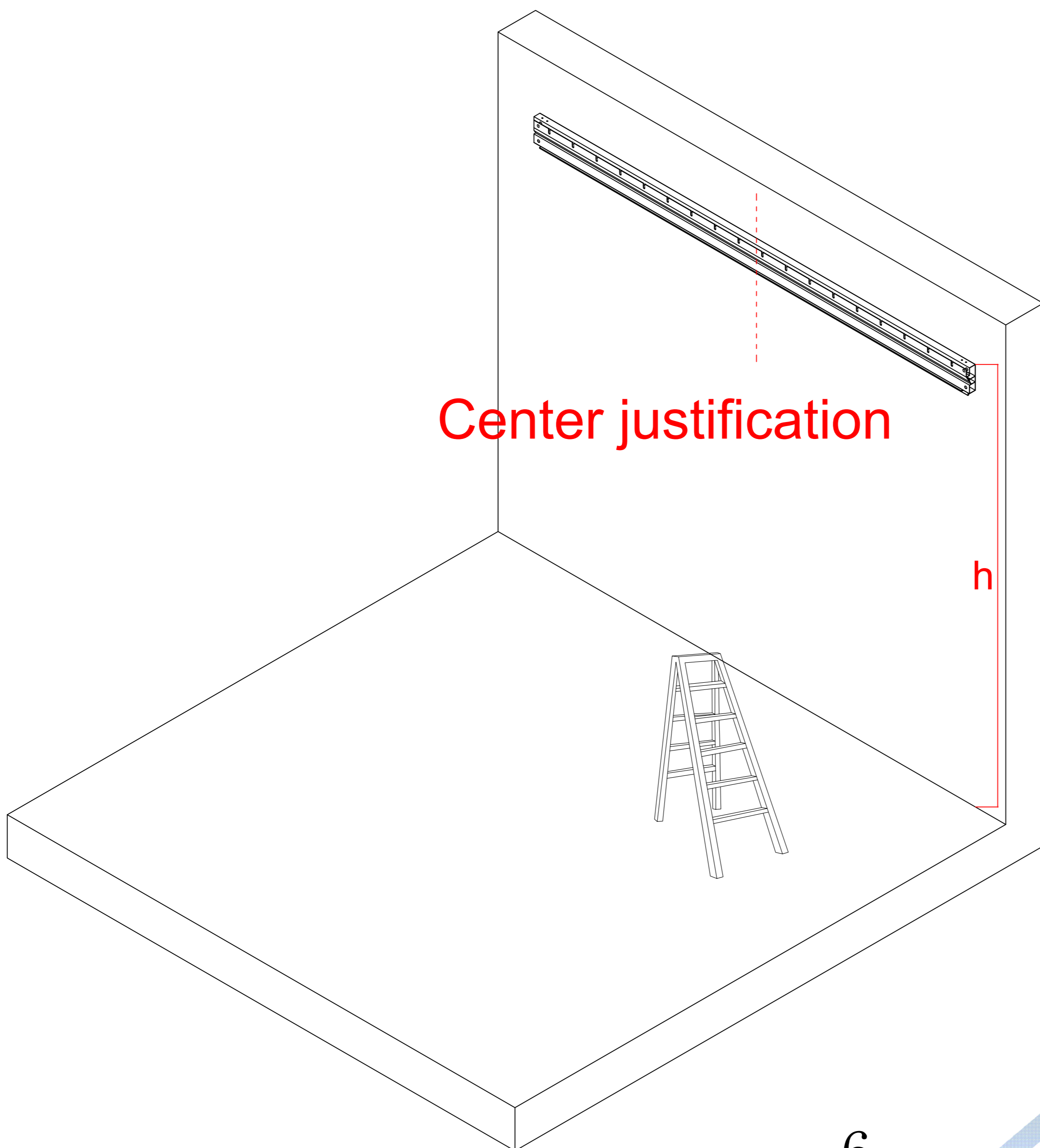
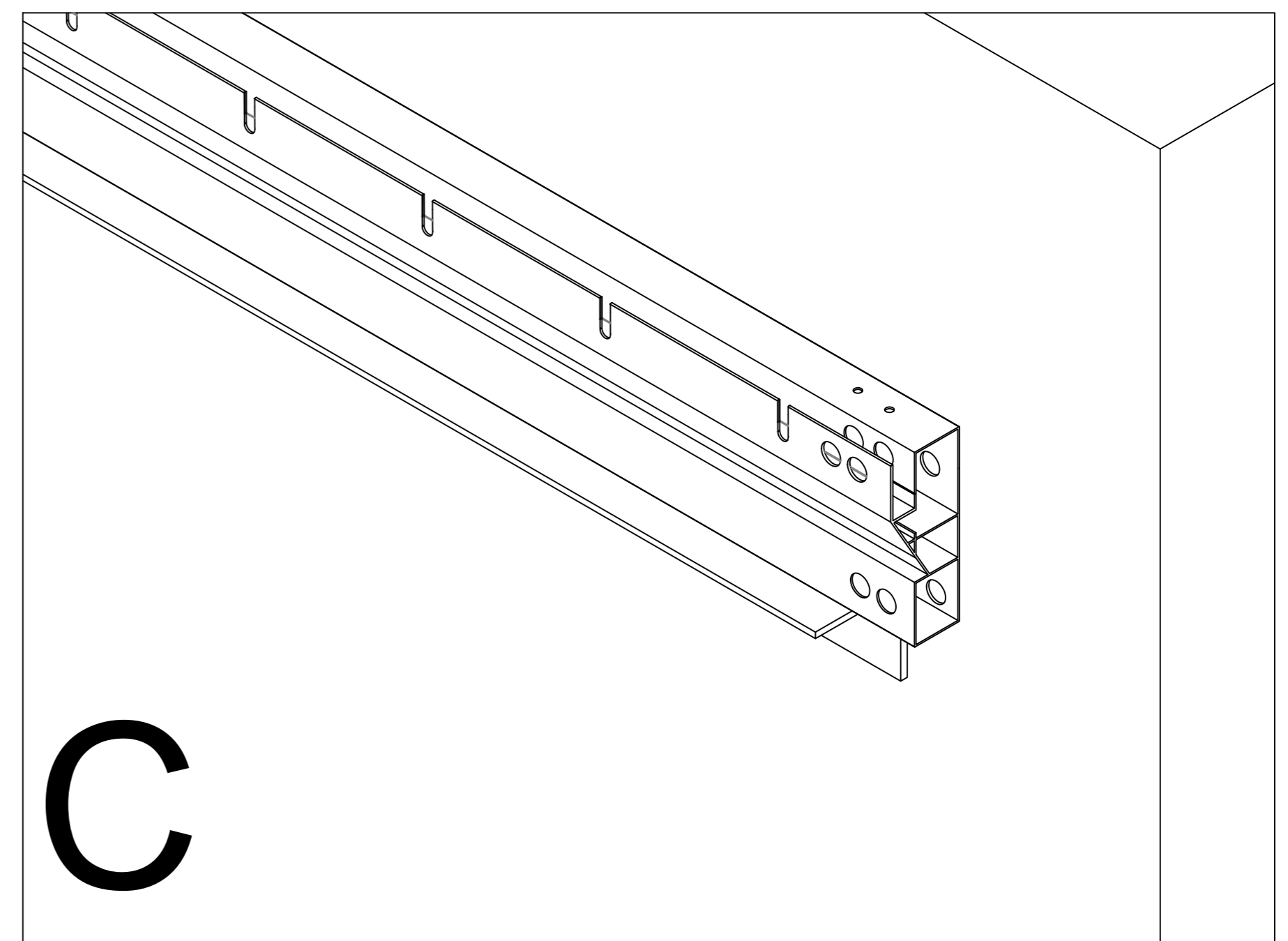
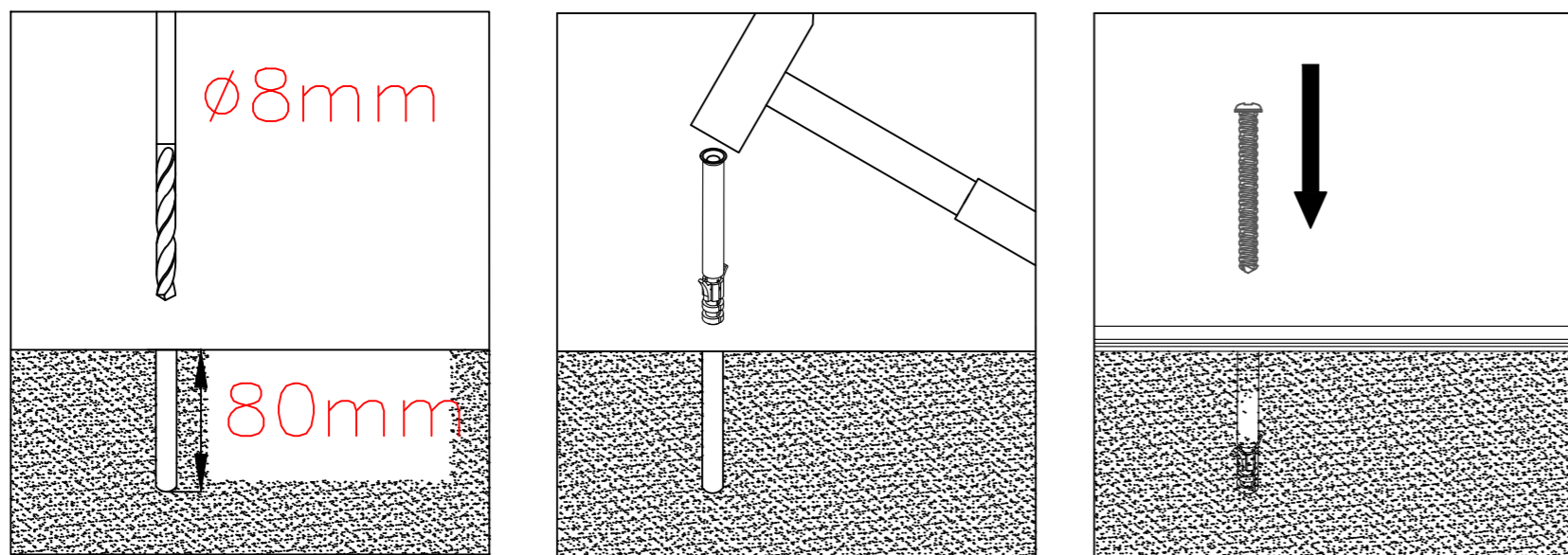
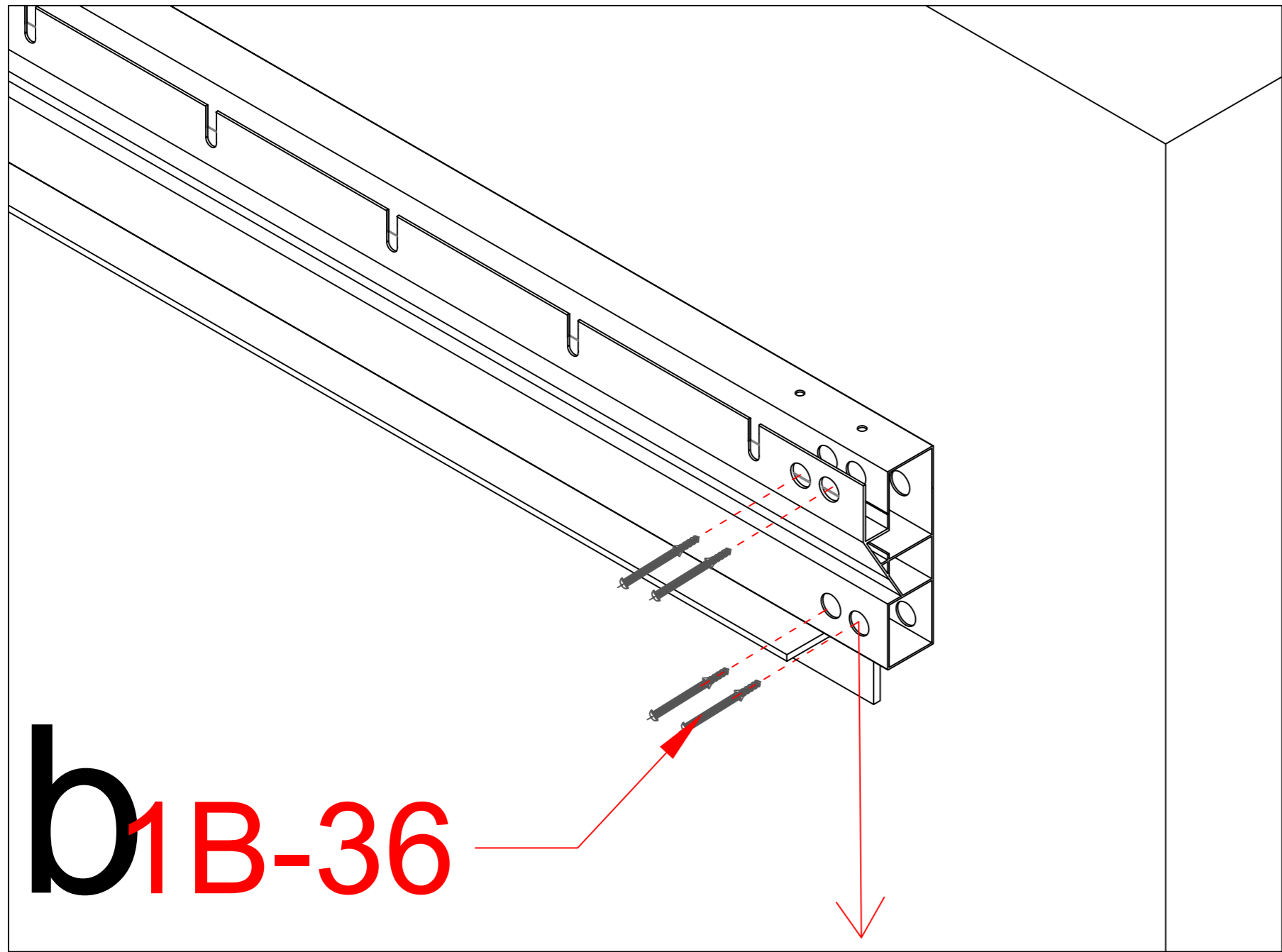
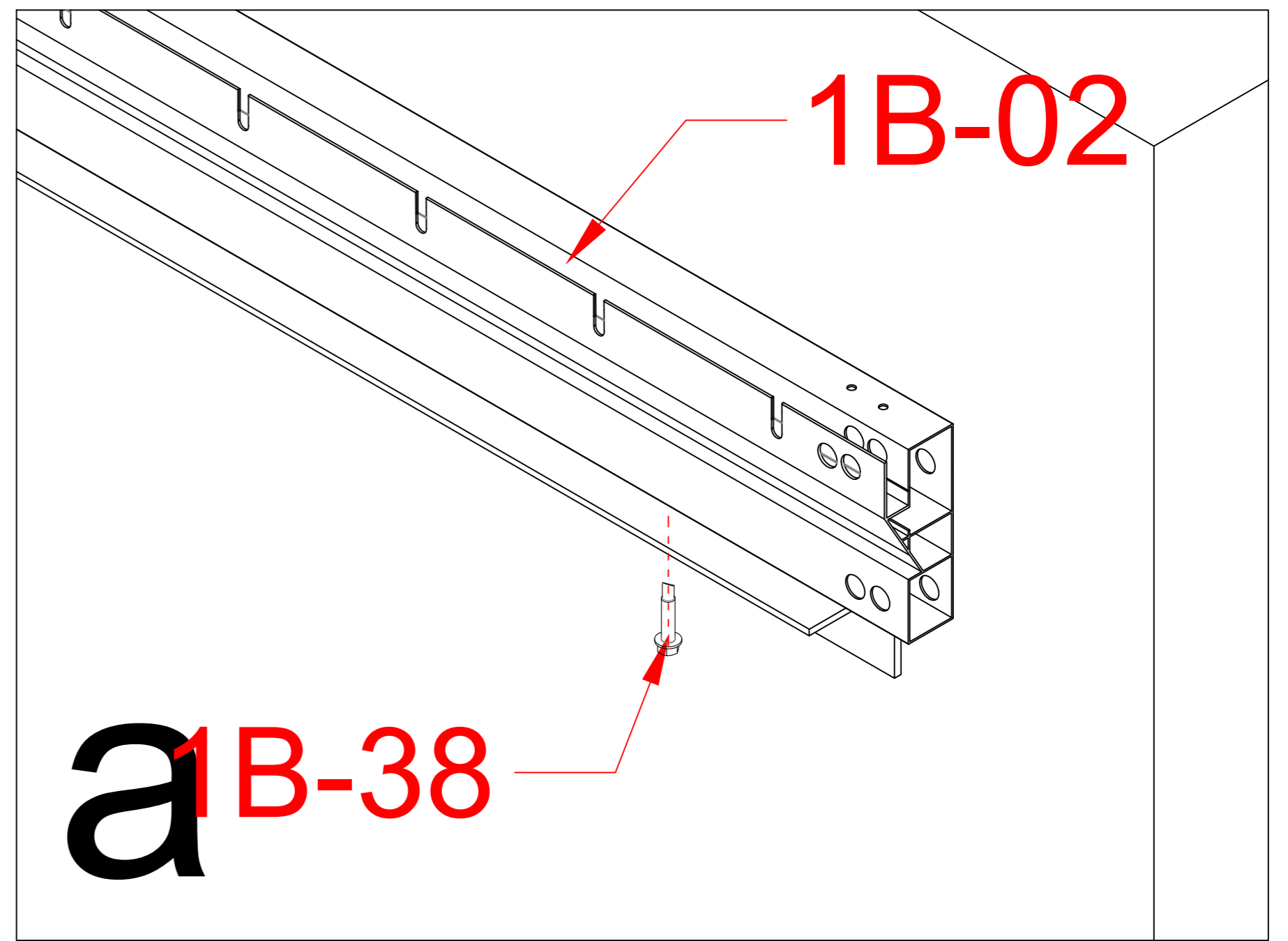


1B-01		2
1B-04		2

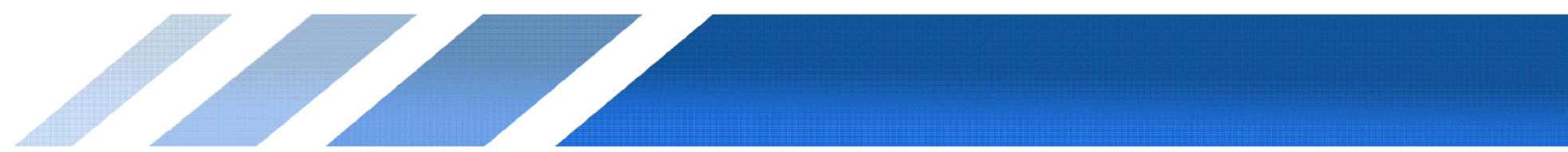


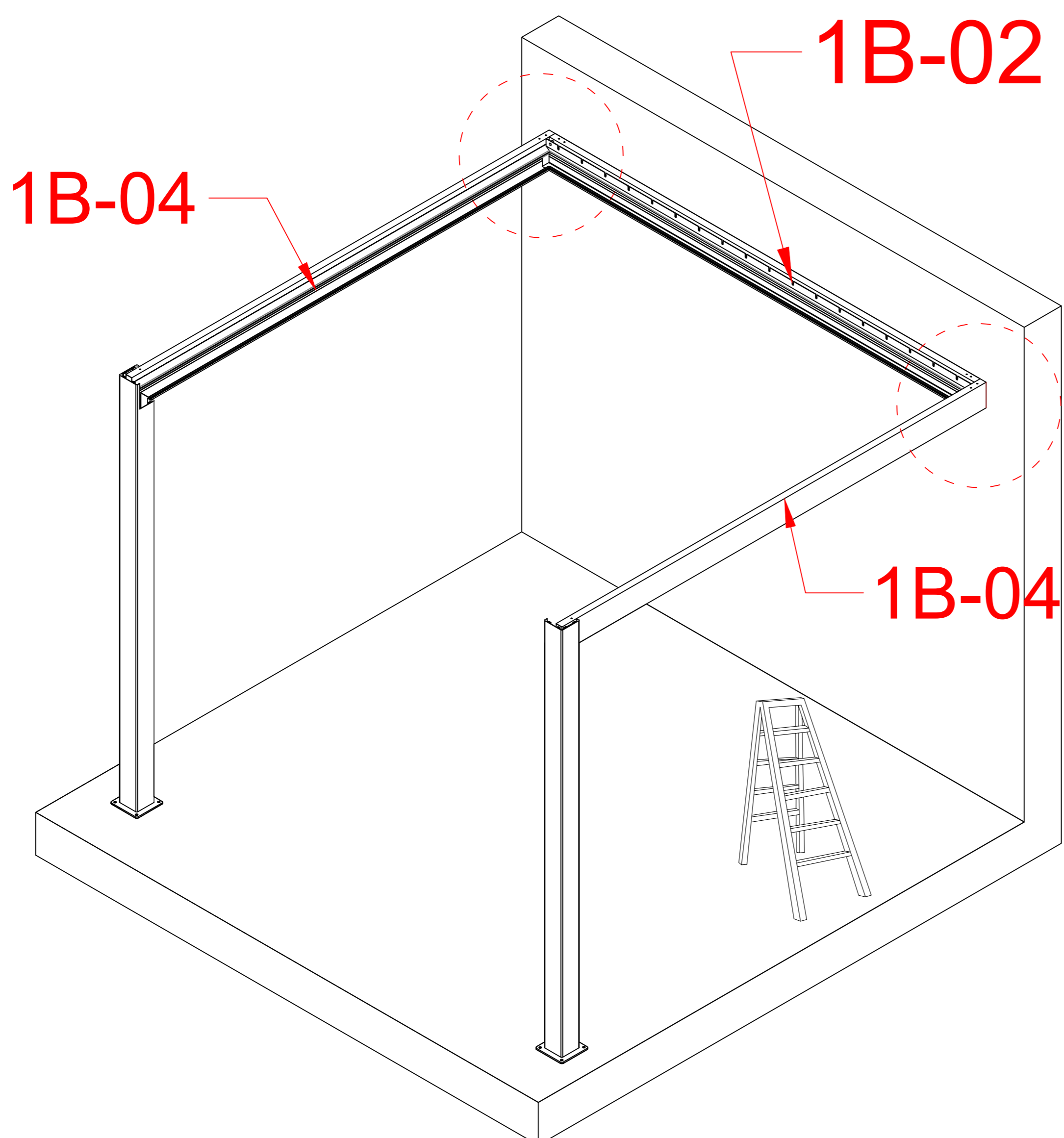
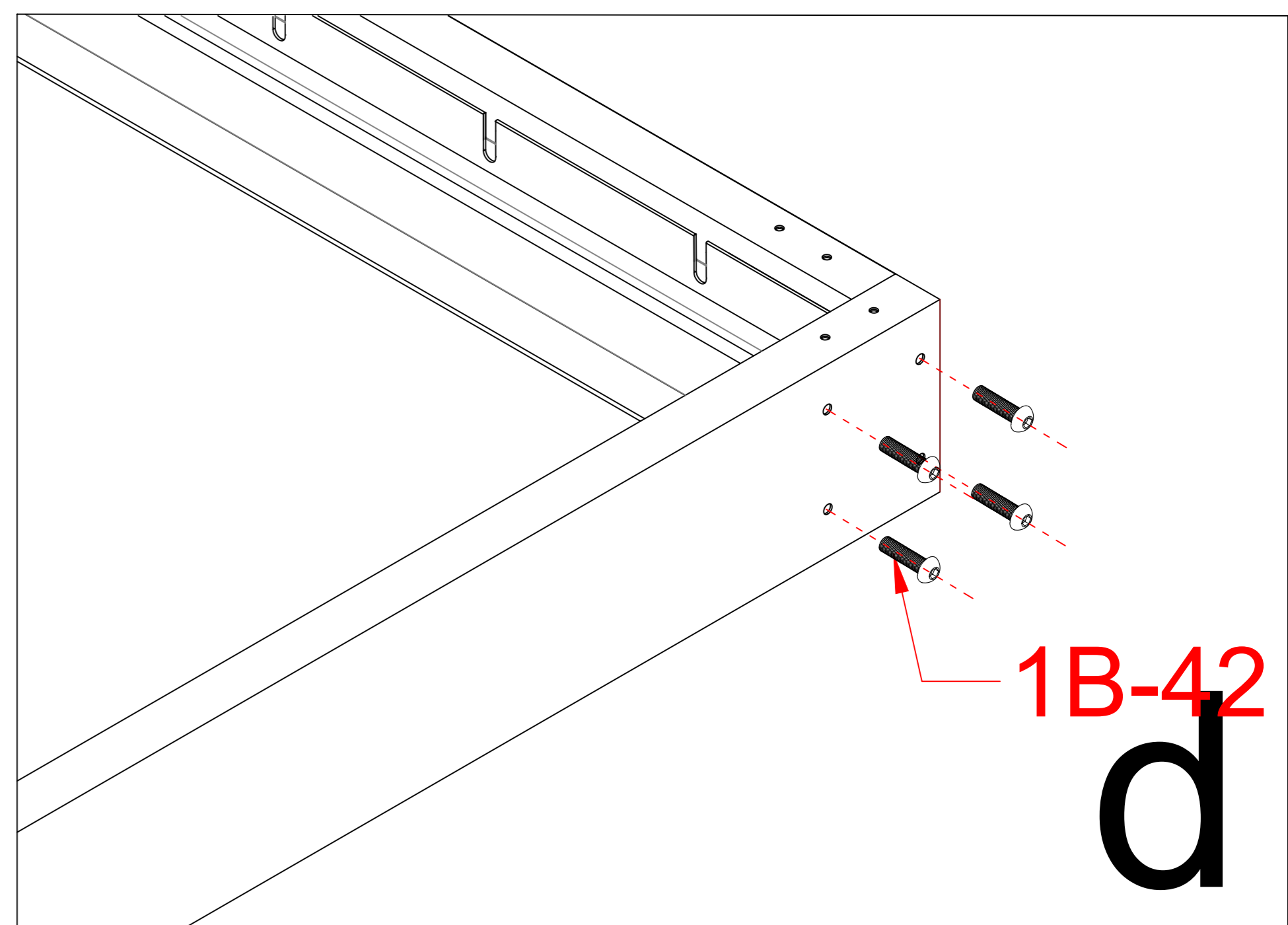
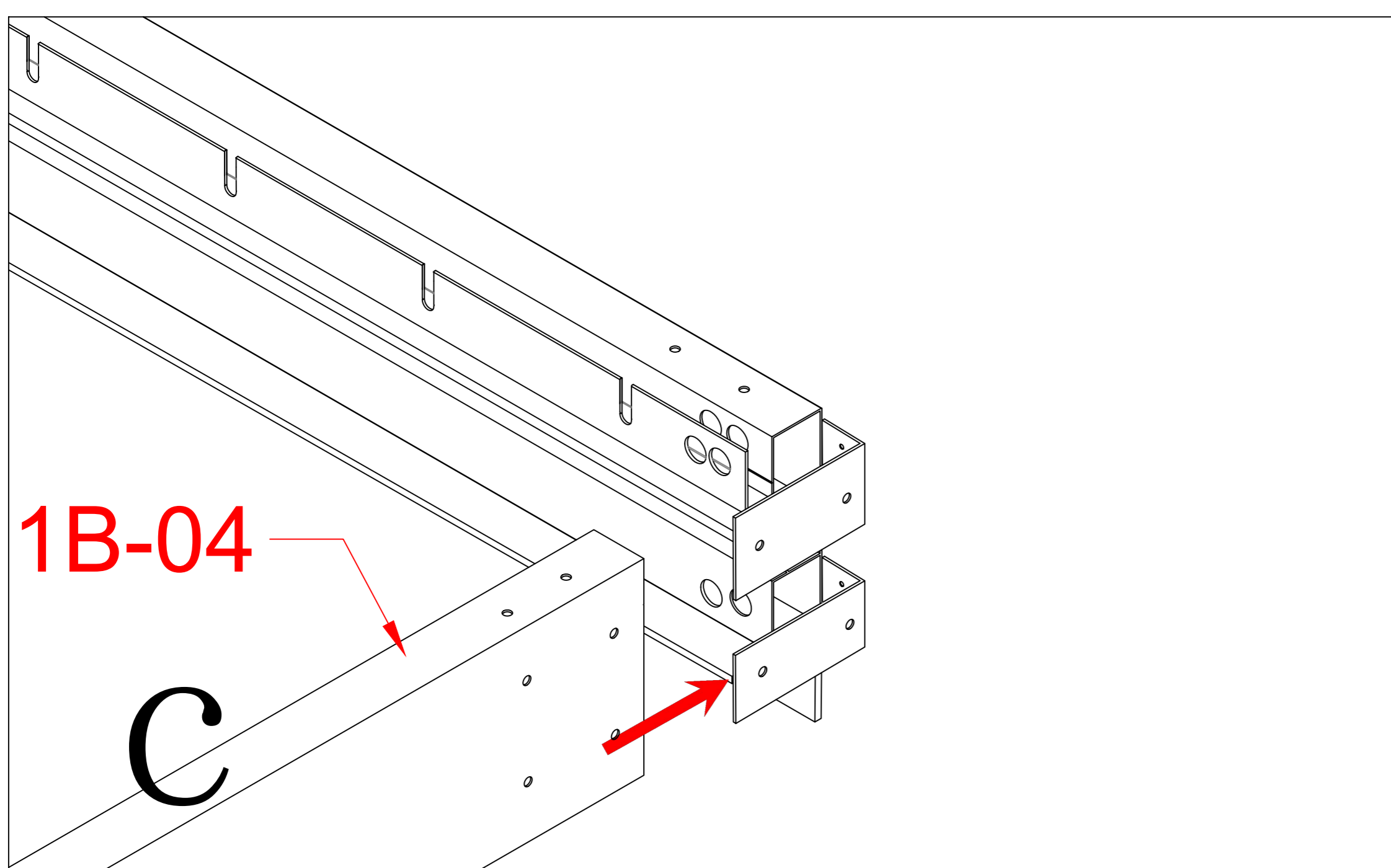
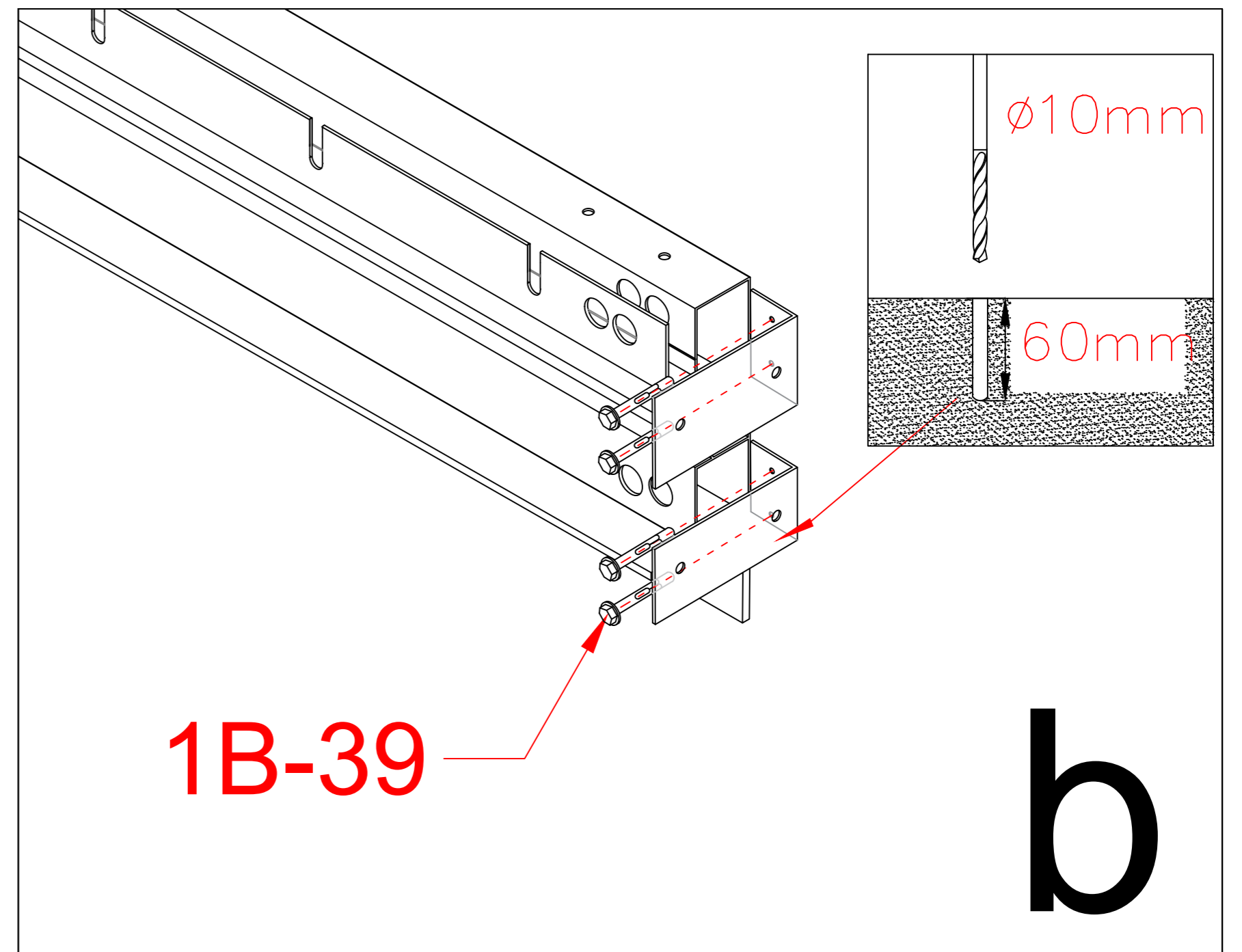
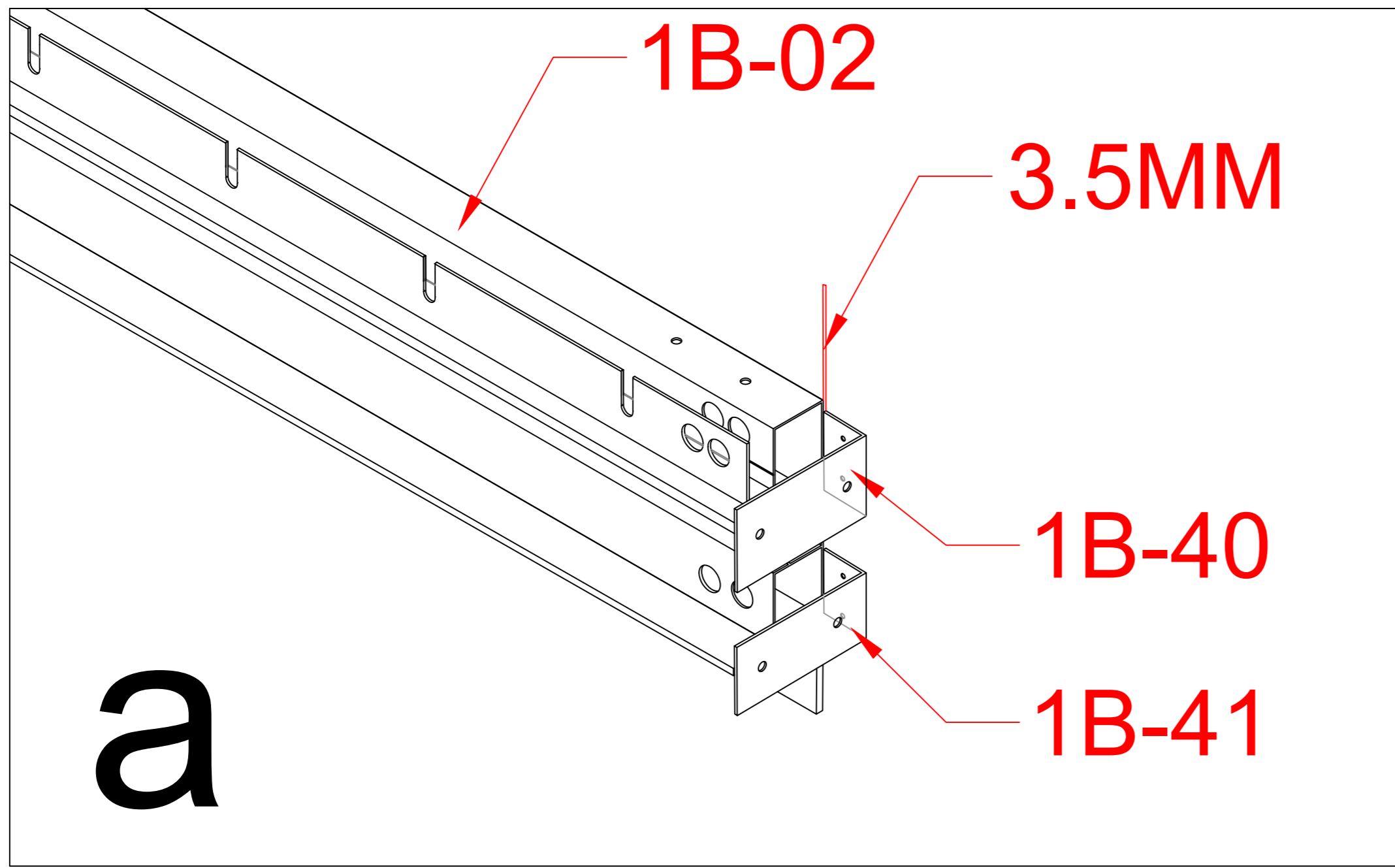
1B-34		1
1B-39		4

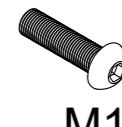
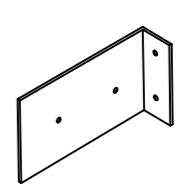
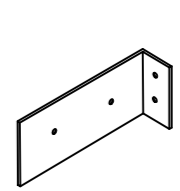
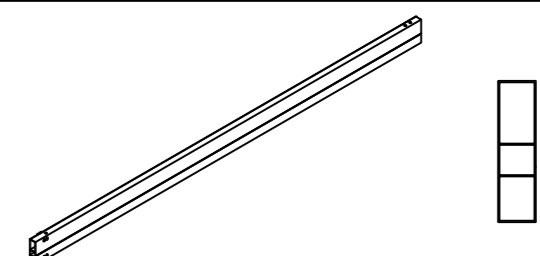
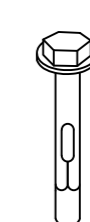


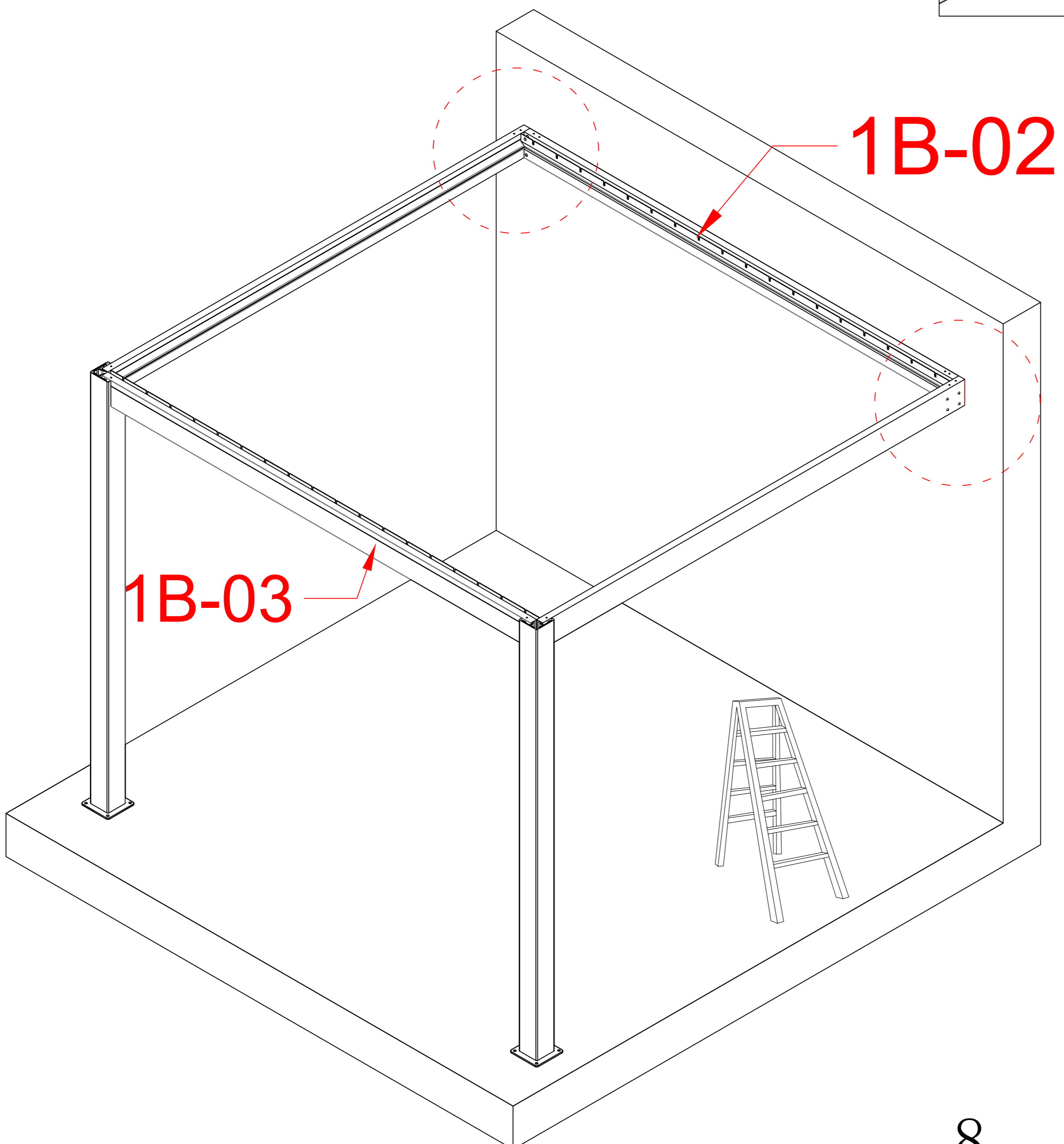
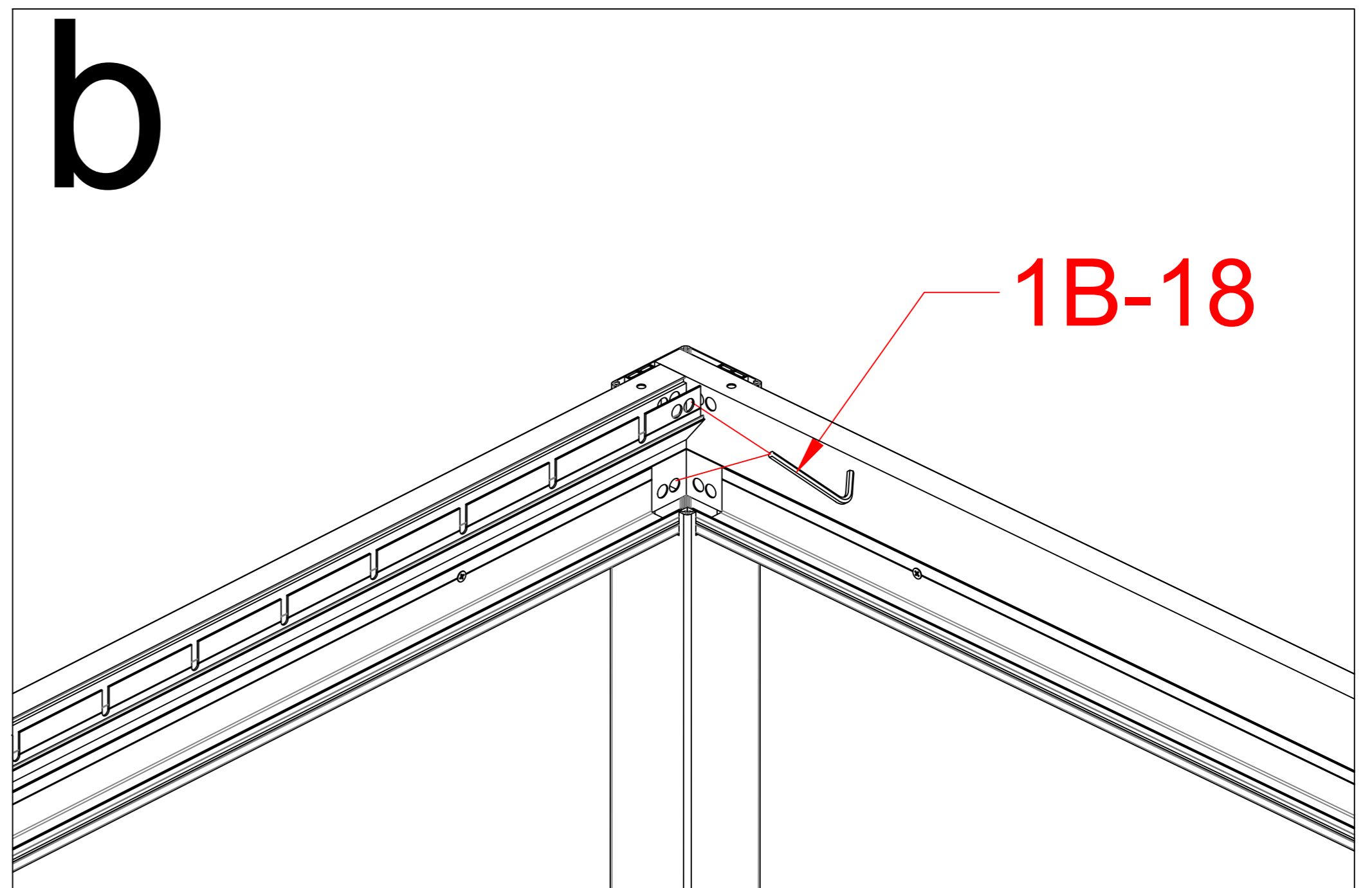
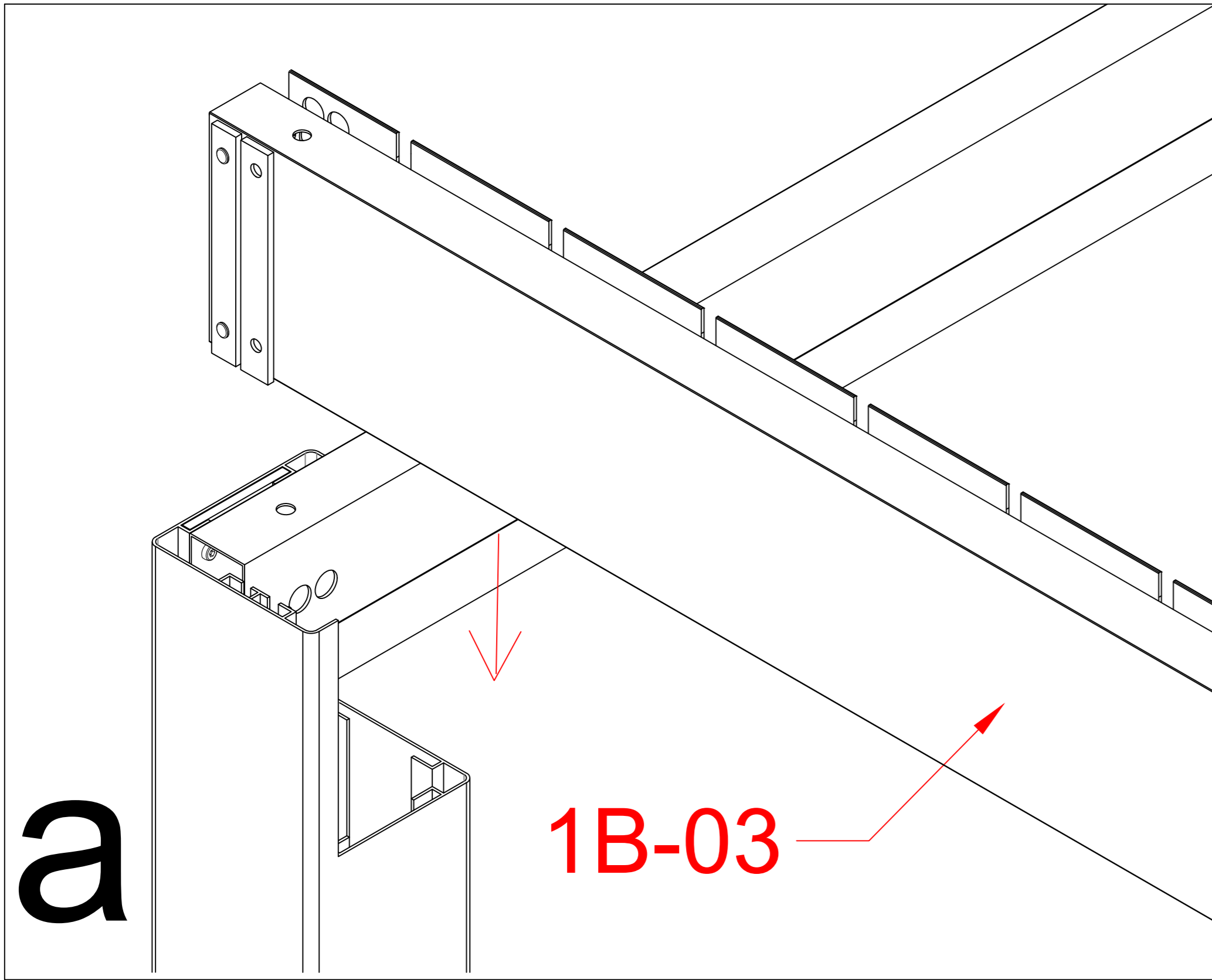


1B-02			1
1B-38			4
1B-36			8

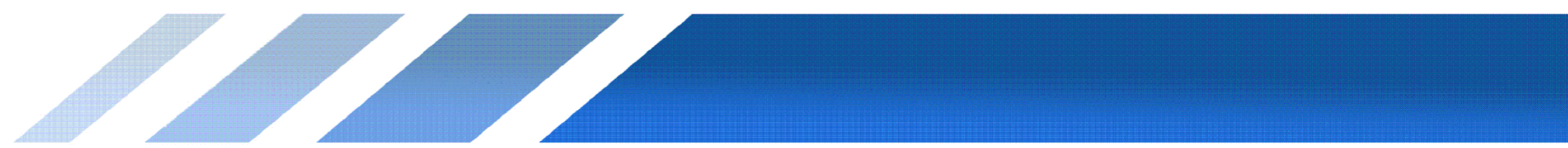


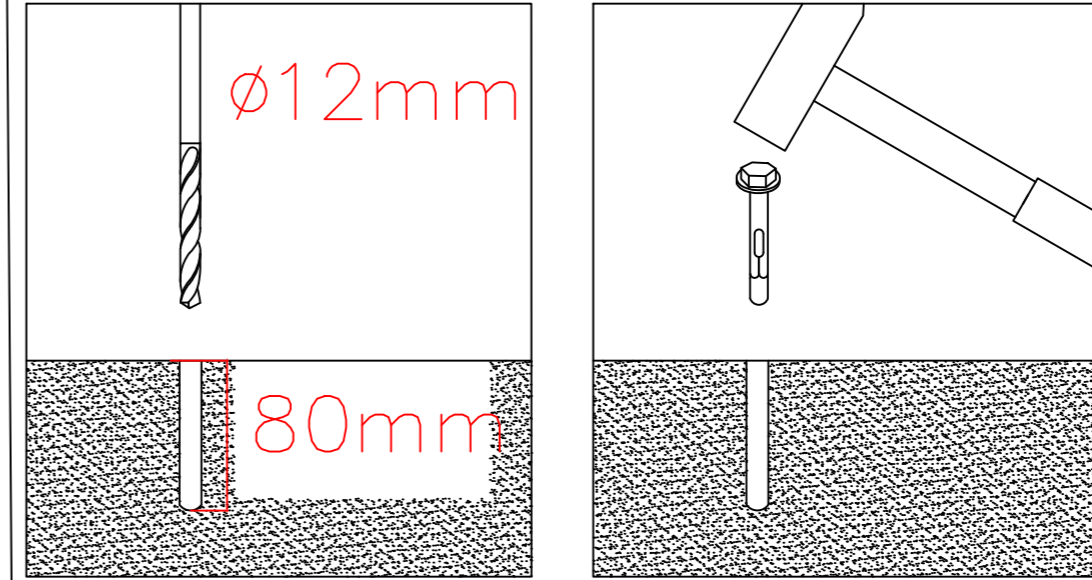
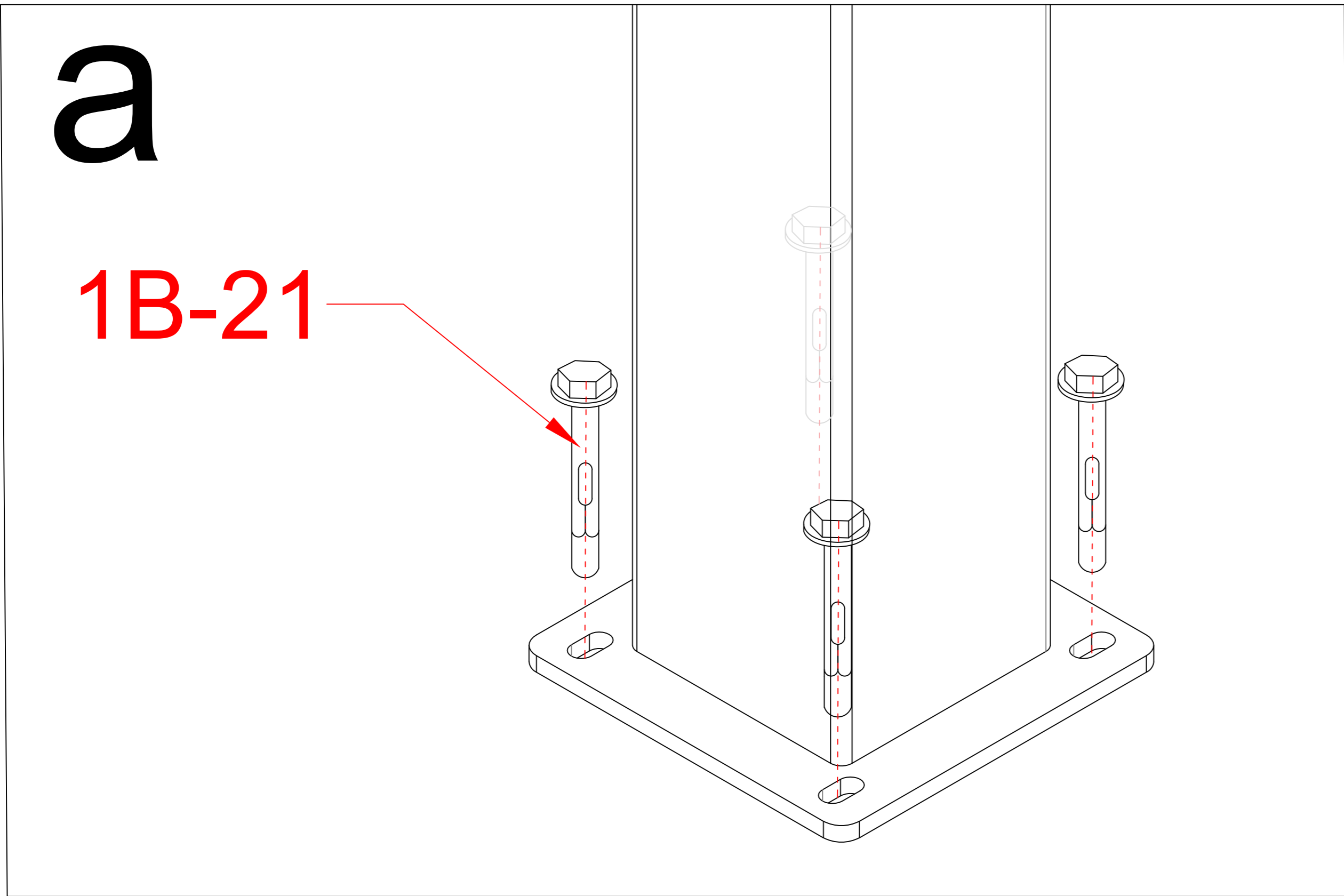


1B-42	 M10*20	8
1B-40		2
1B-41		2
1B-04		2
1B-39		8

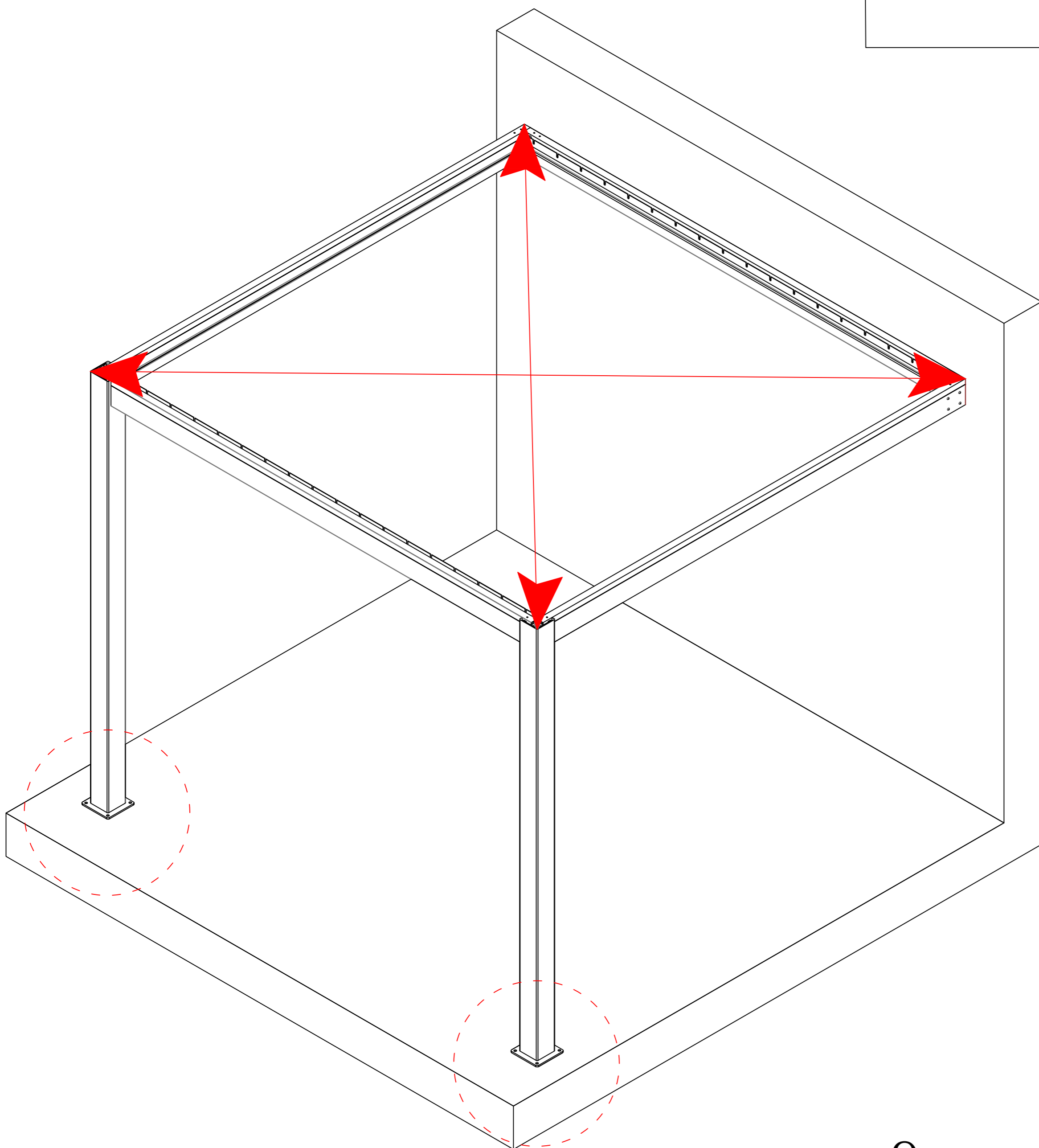
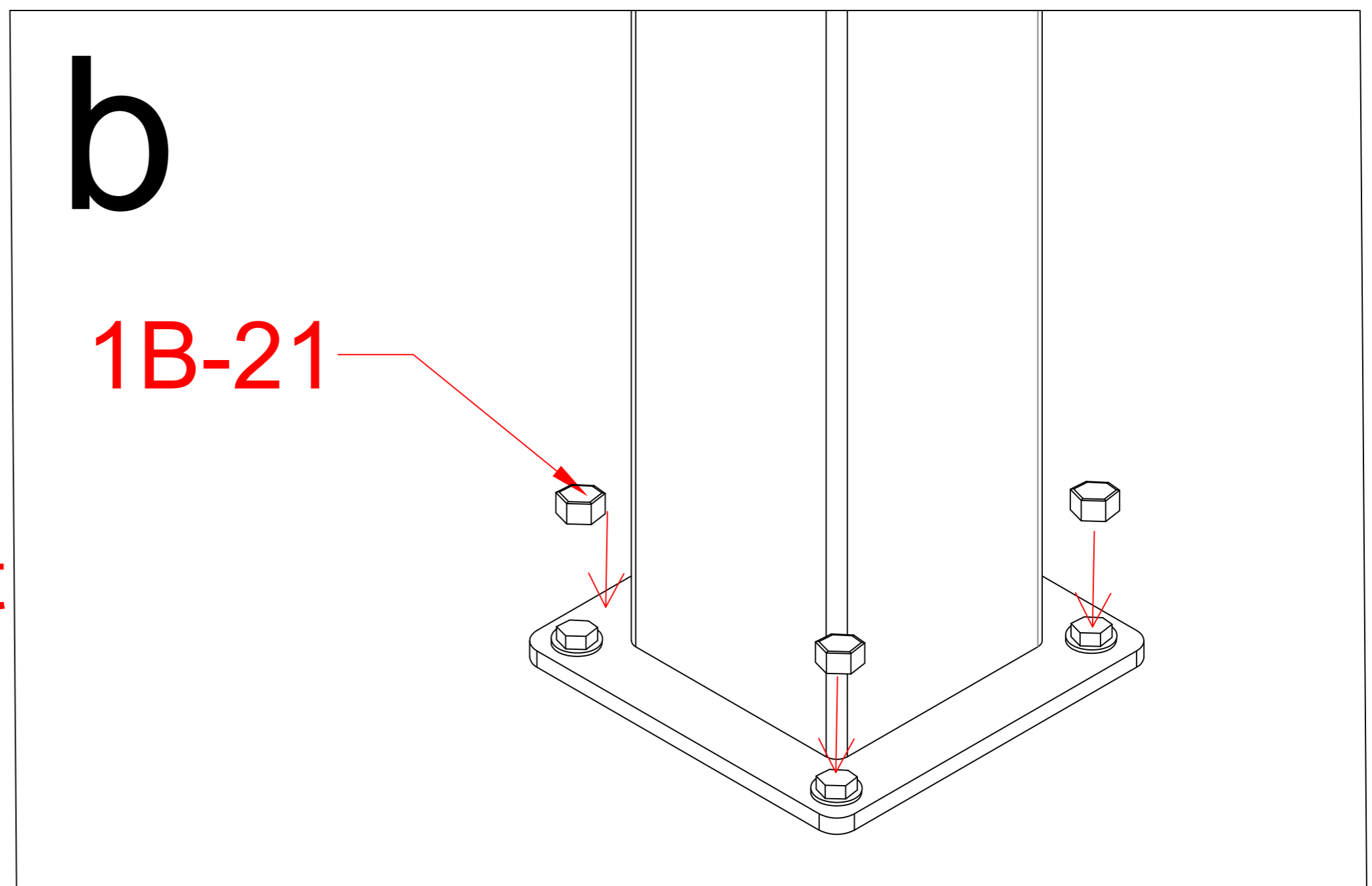


1B-03			1
-------	--	--	---

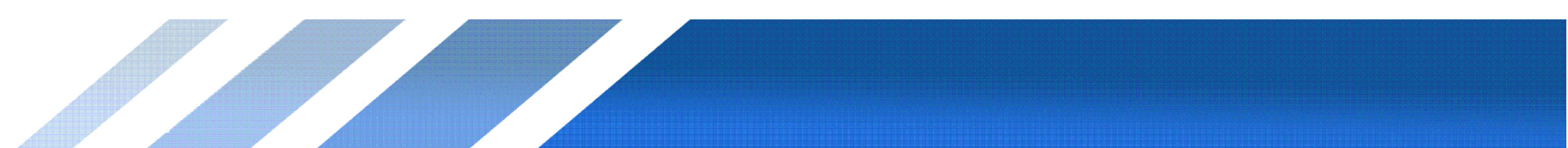


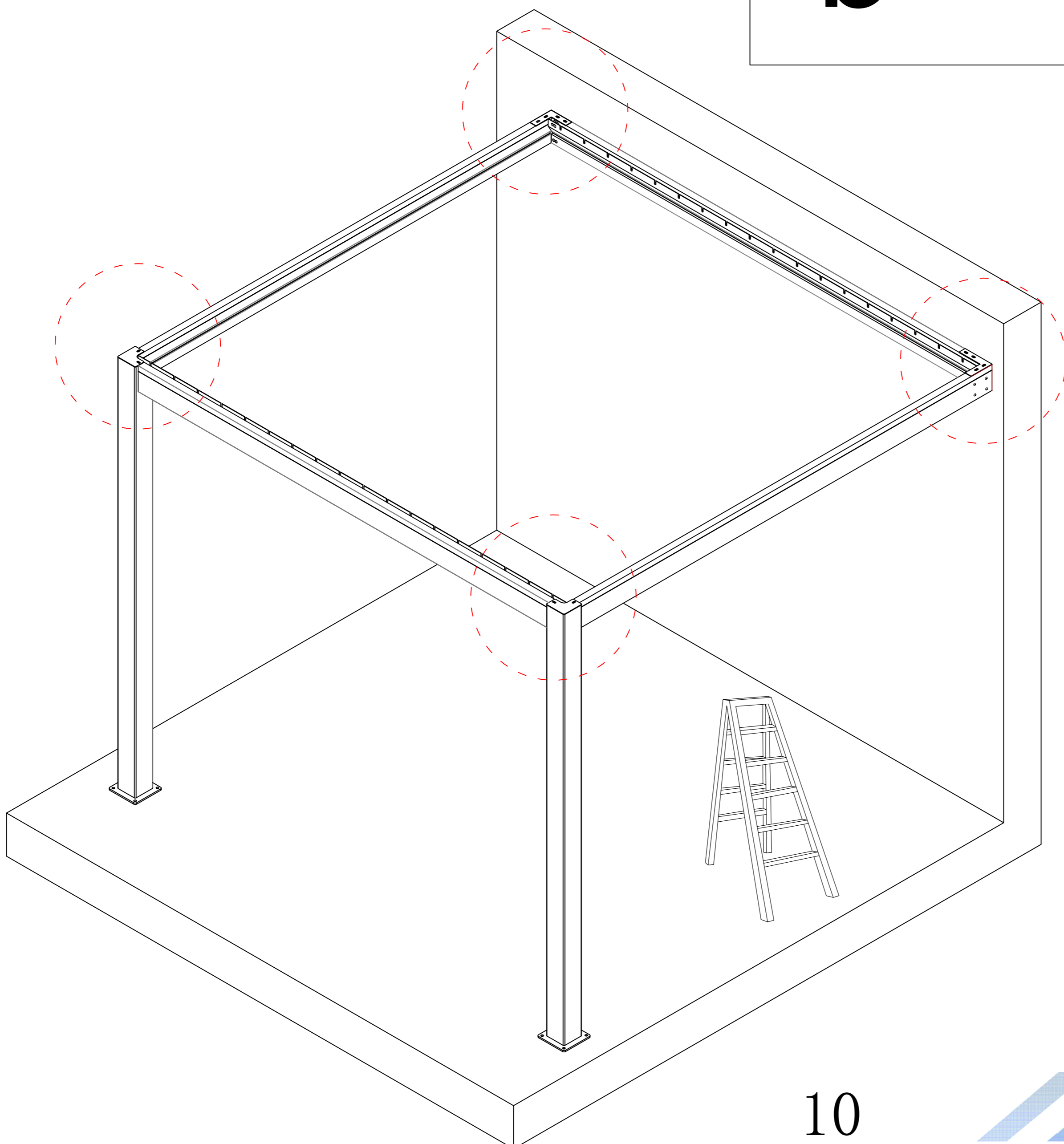
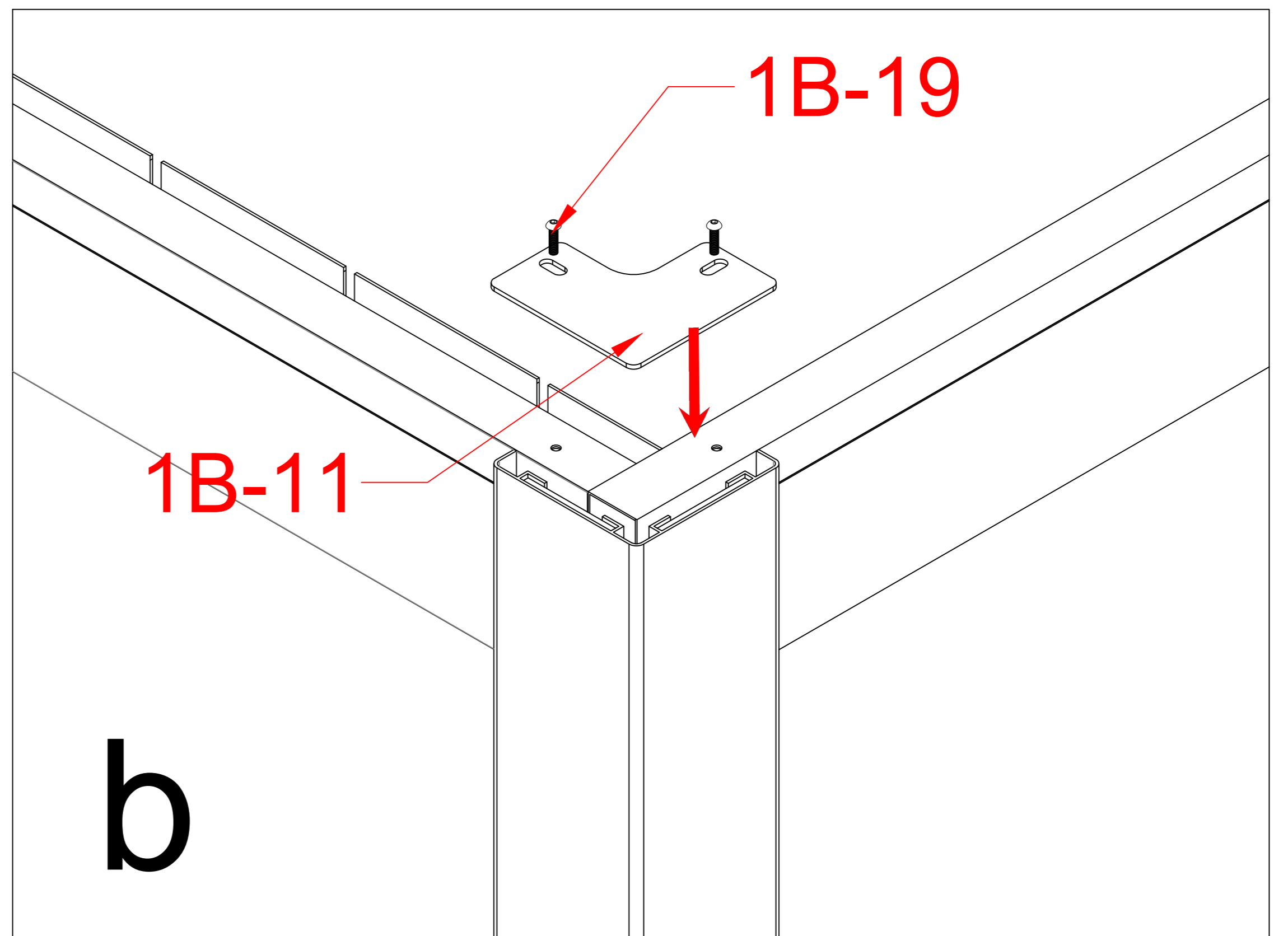
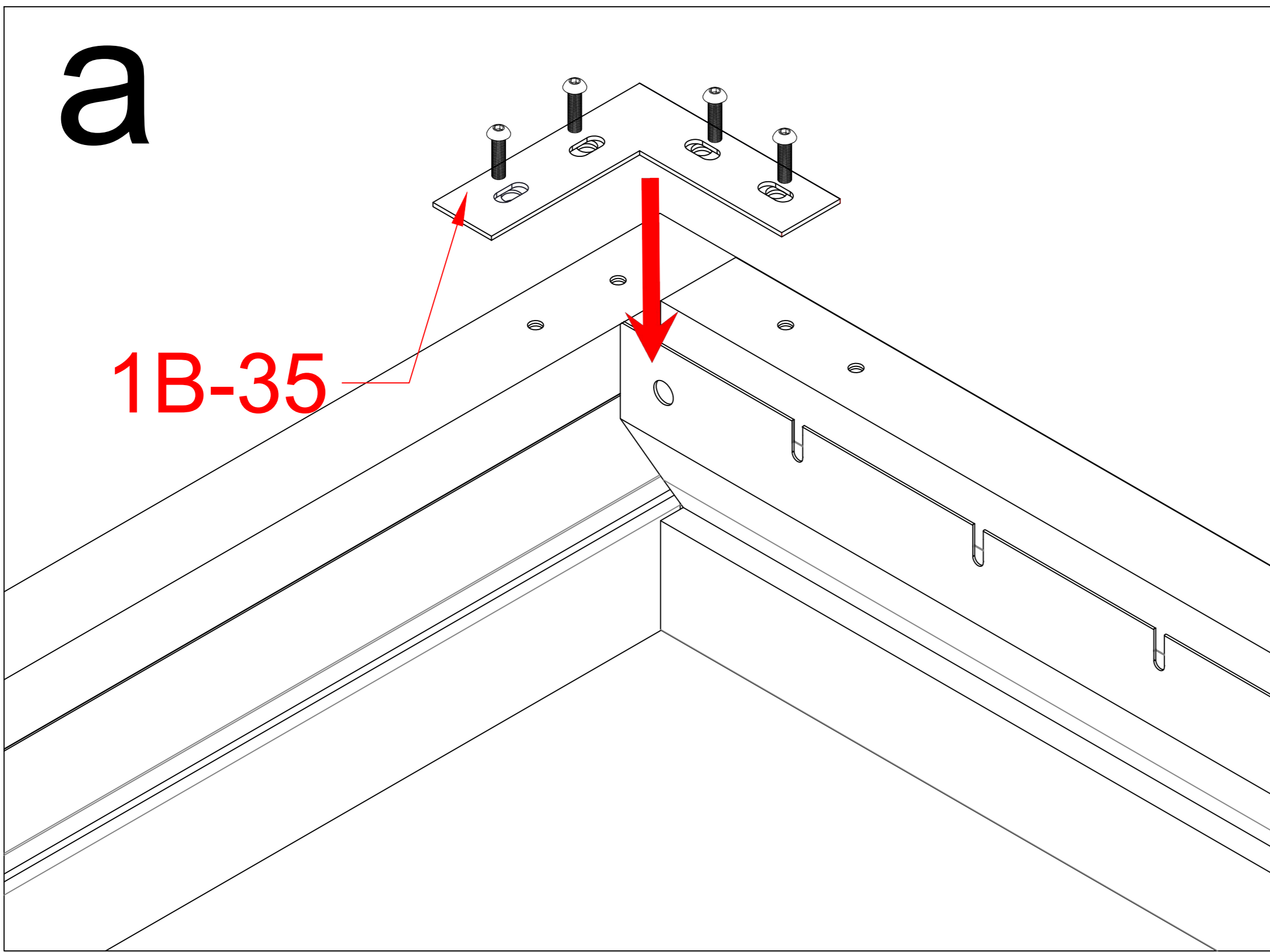


Pls measure the diagonal size and make sure the diagonal size keeps same before screw 1B-21 mounted. If not, pls adjust it to same size.

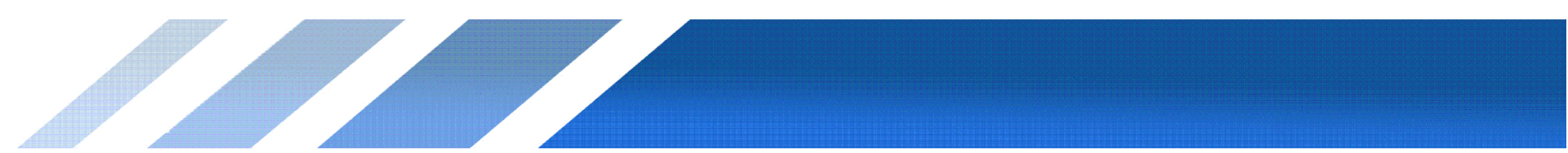


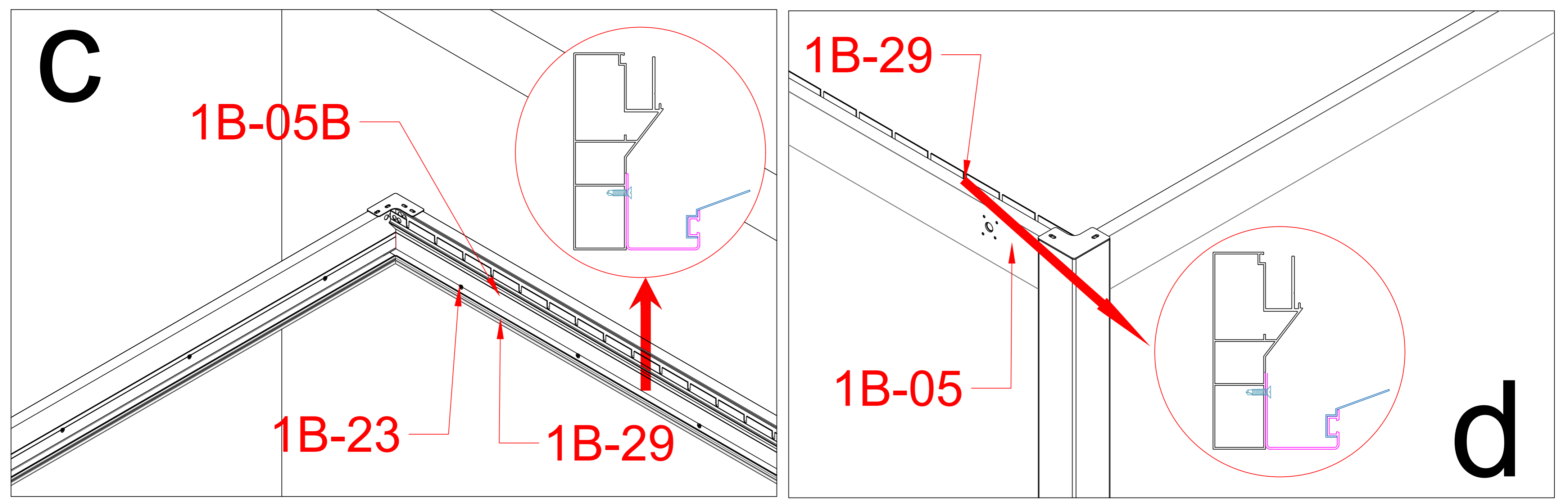
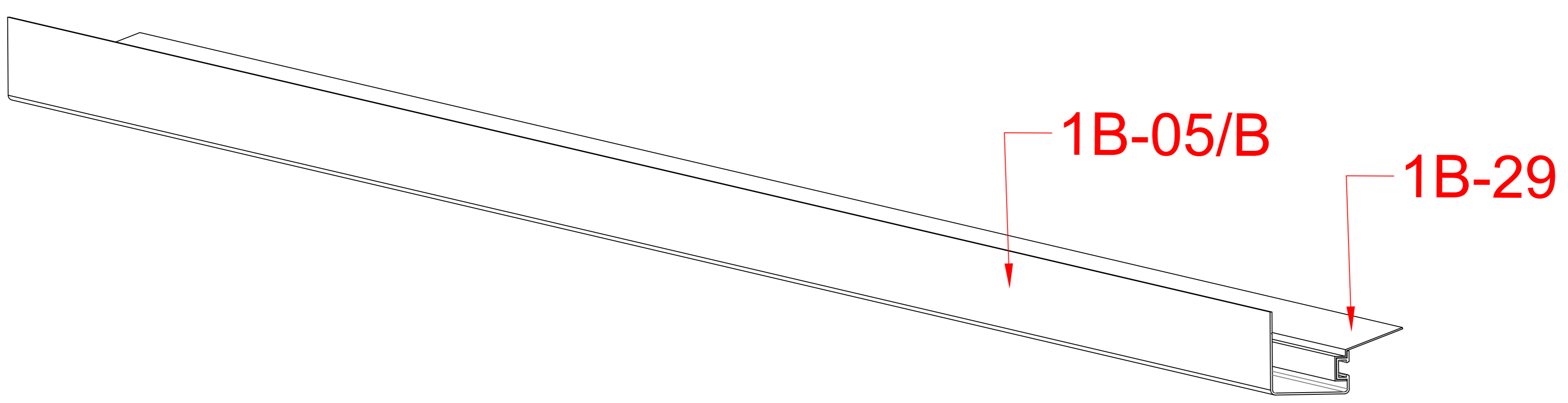
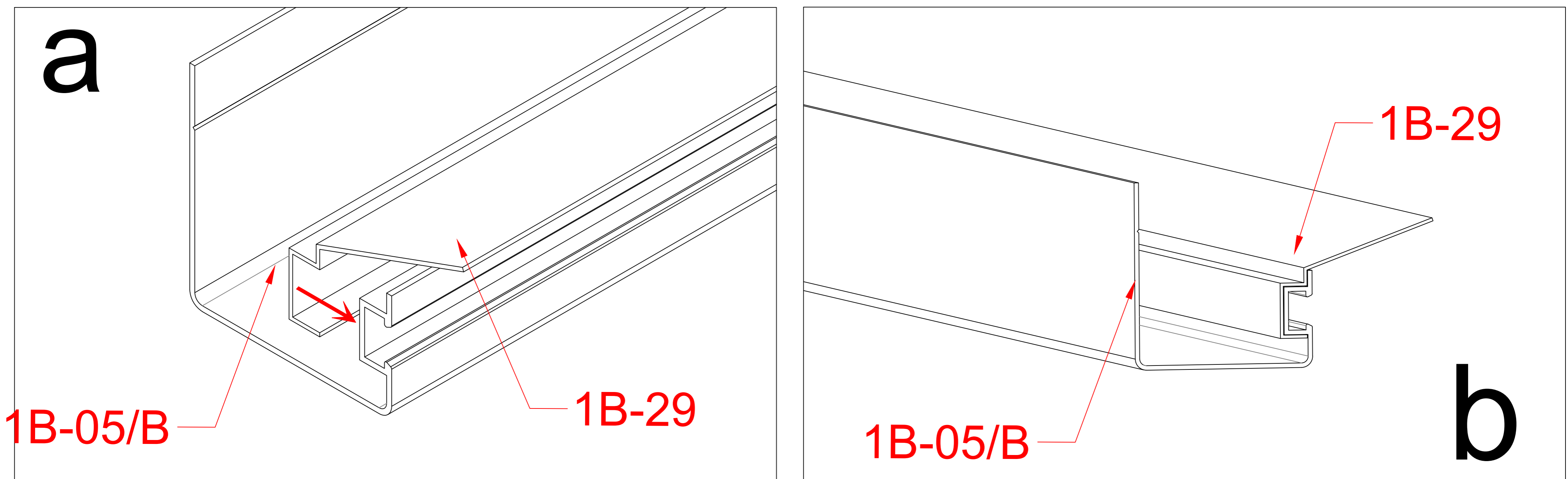
1B-21		8
-------	--	---



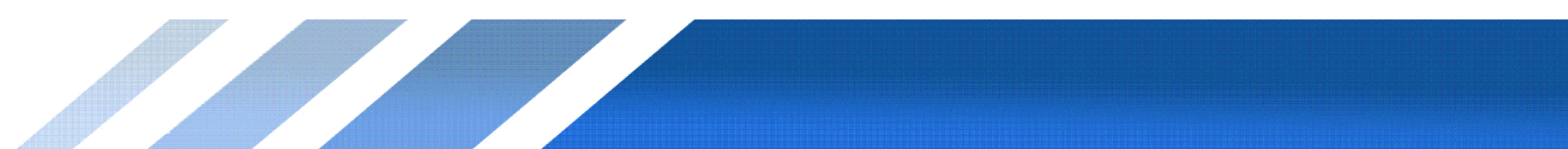


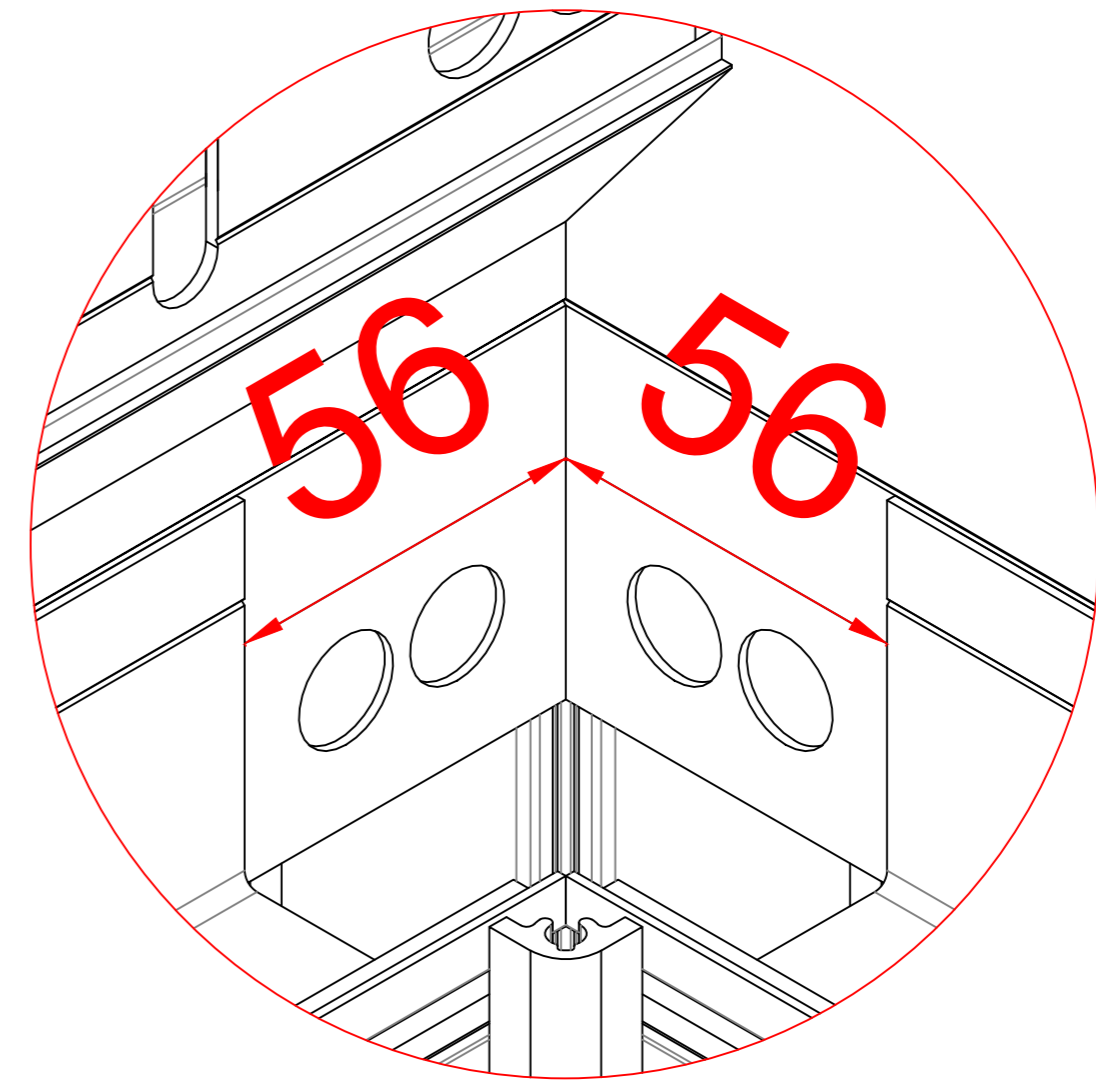
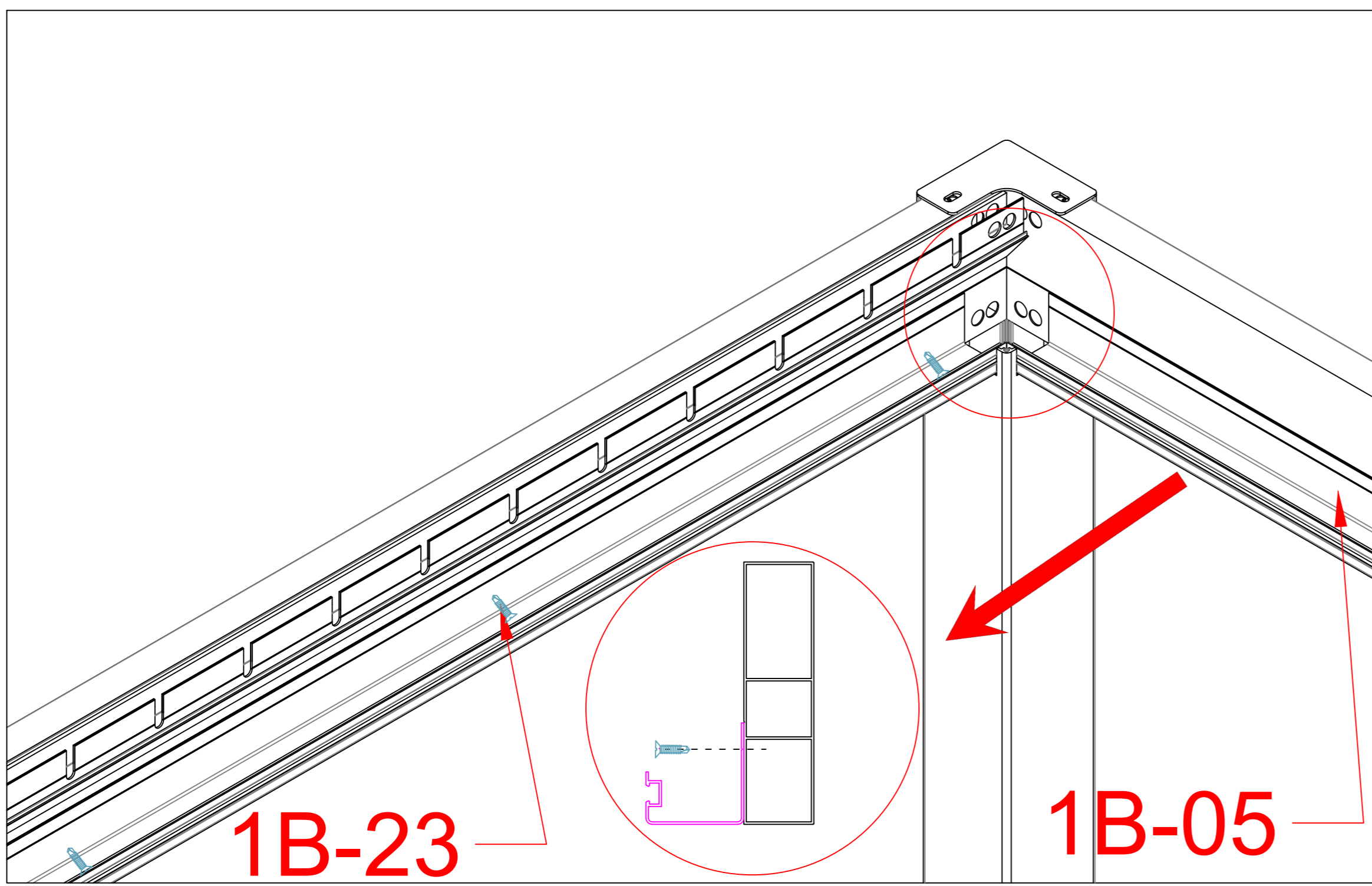
1B-35		2
1B-11		2
1B-19		12



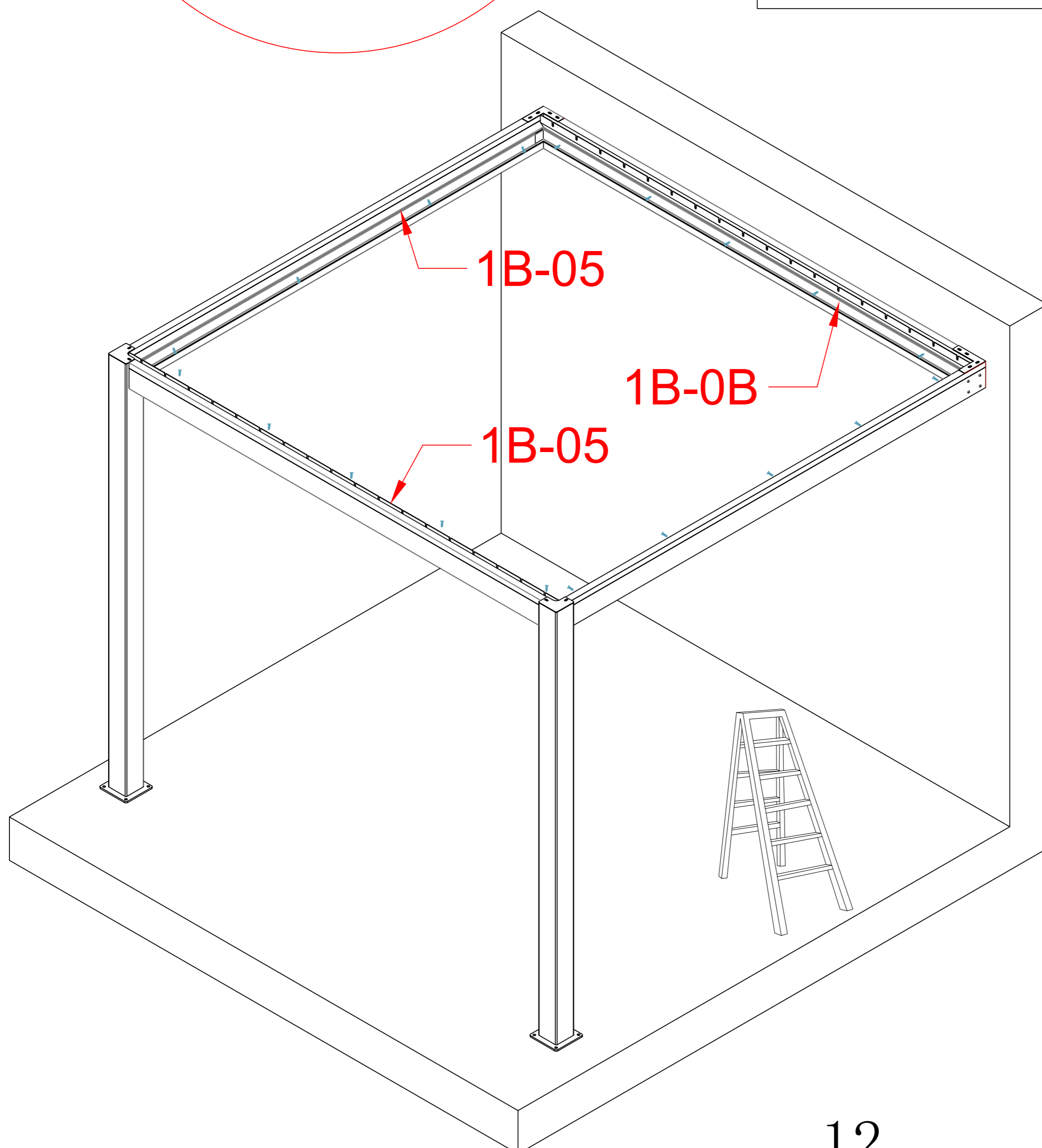
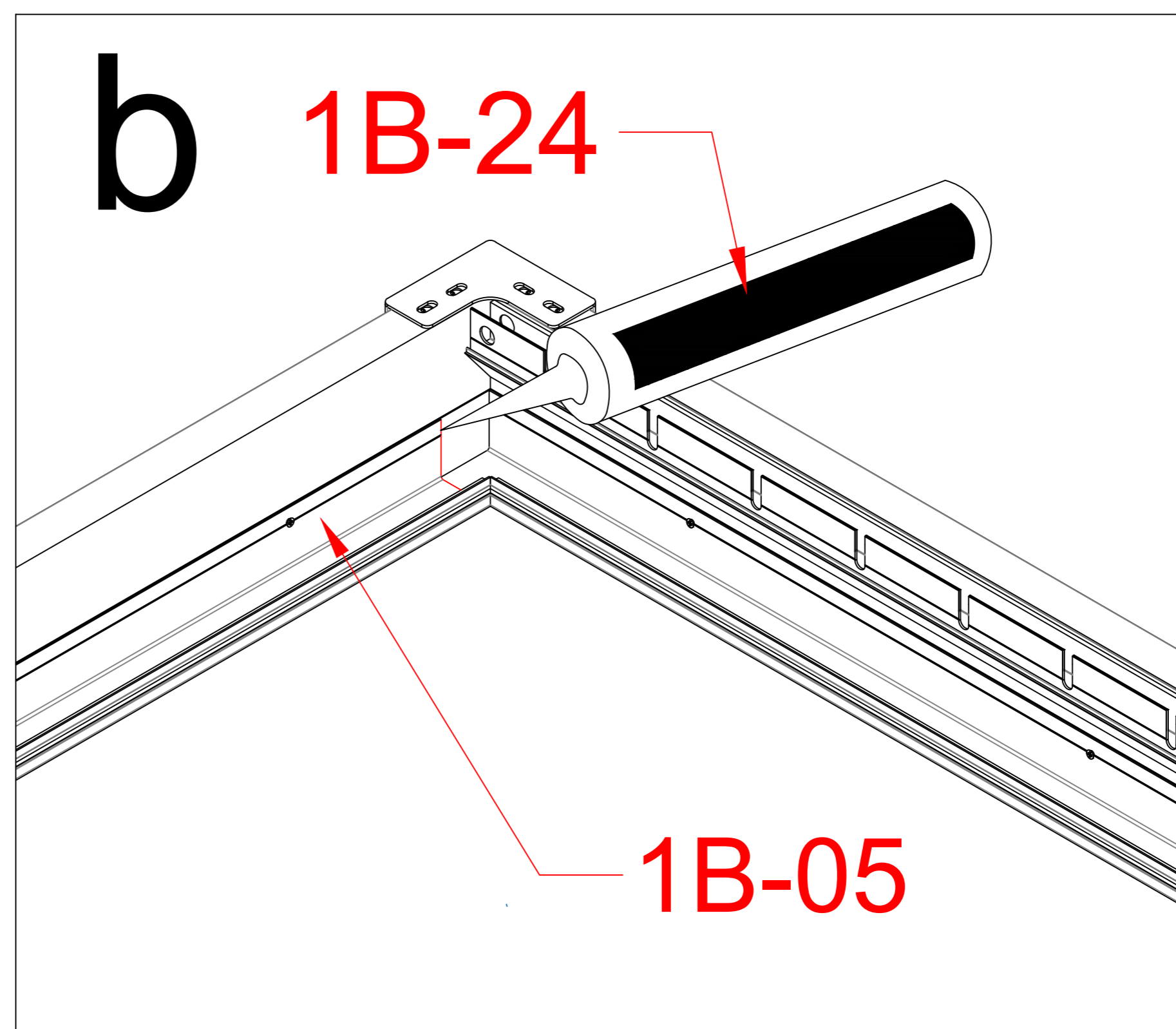
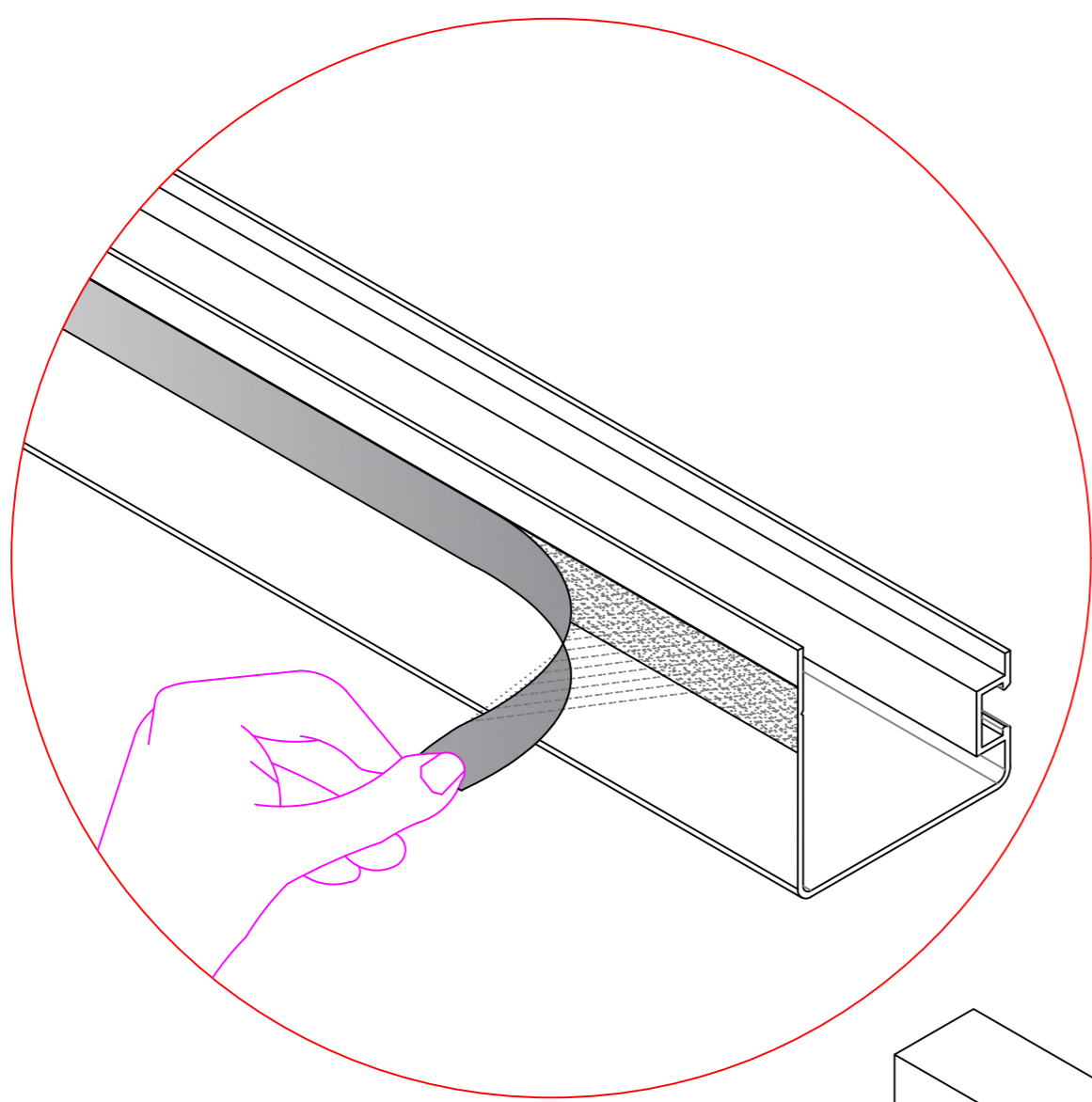


1B-23		10
1B-05B		1
1B-05		1
1B-29		2





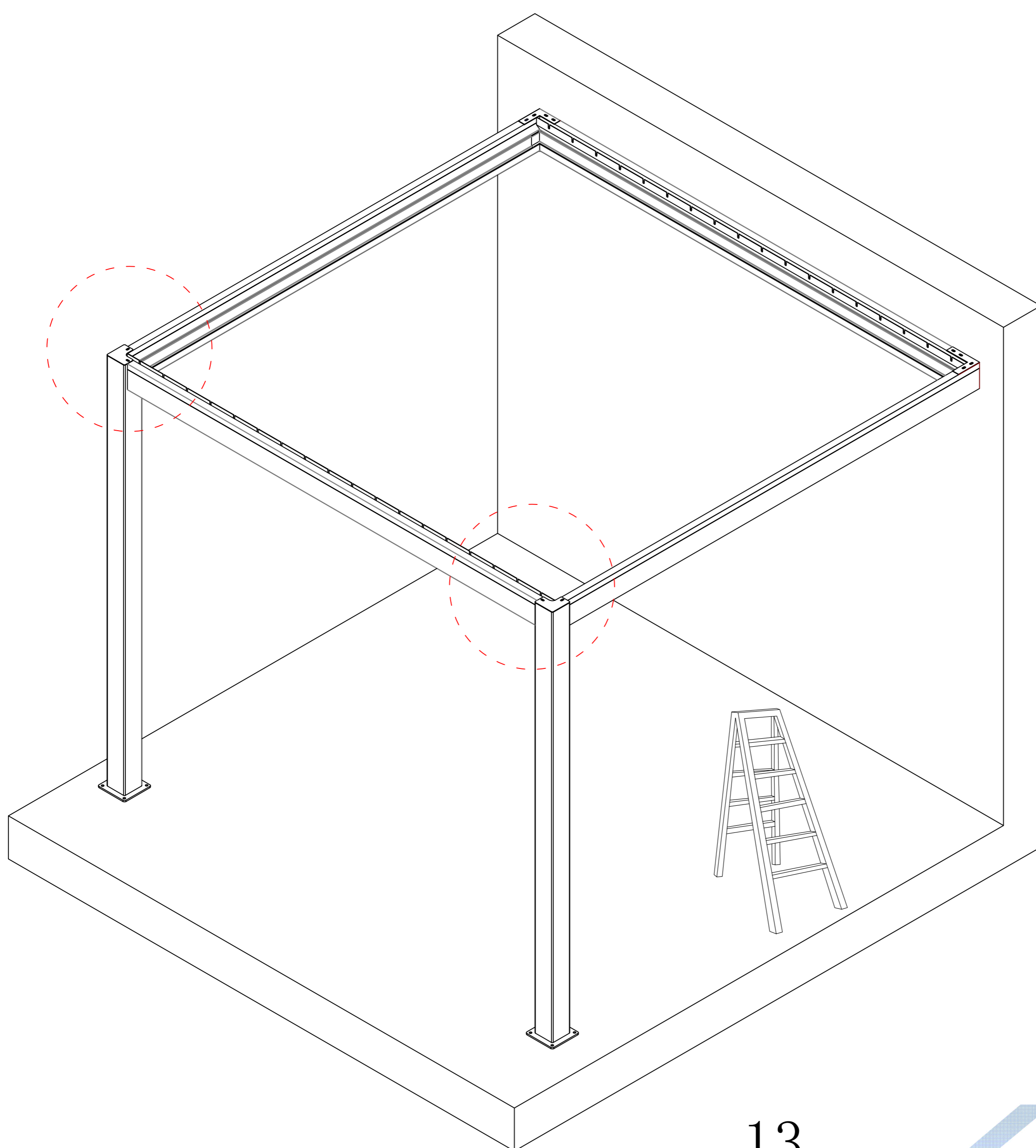
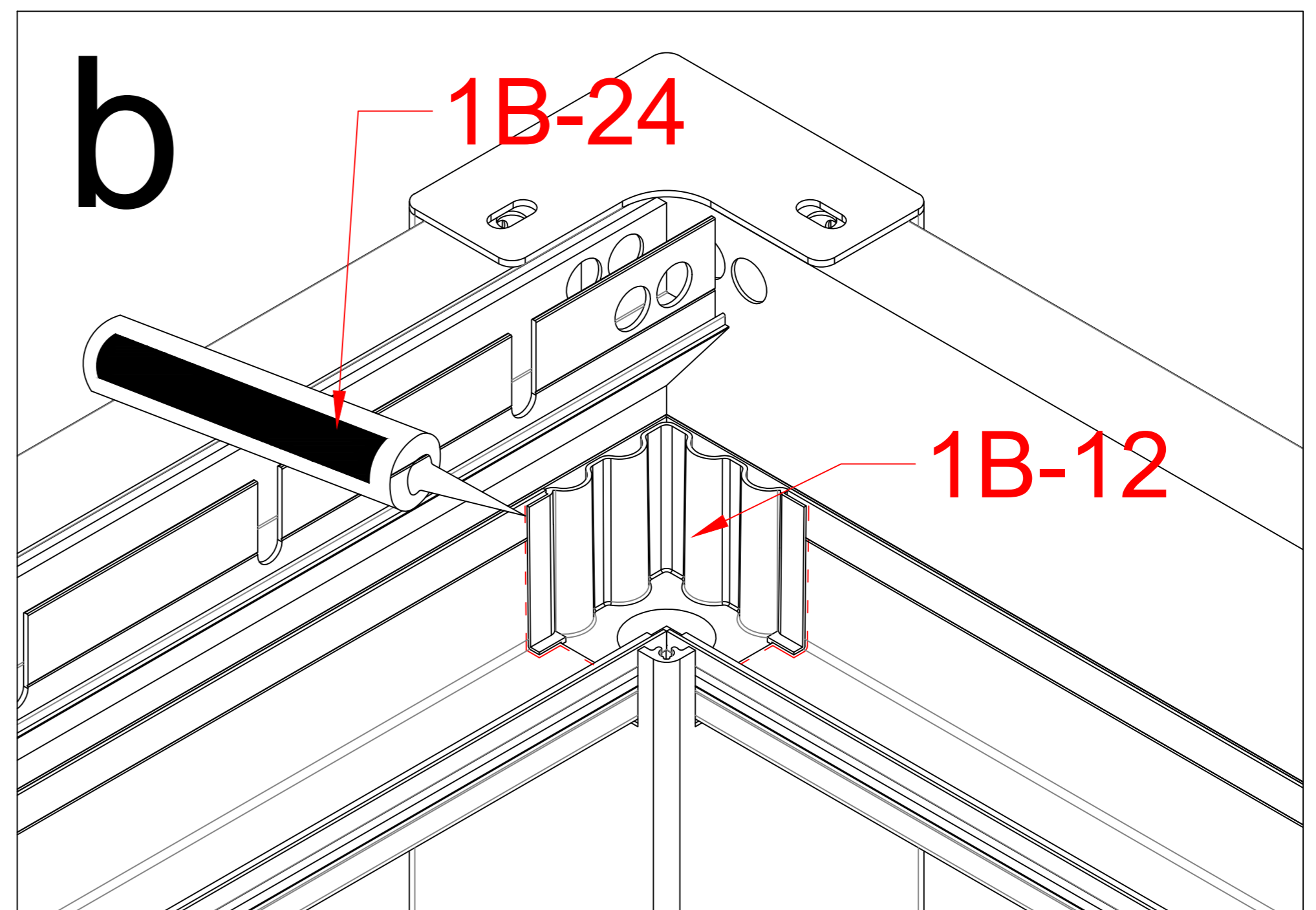
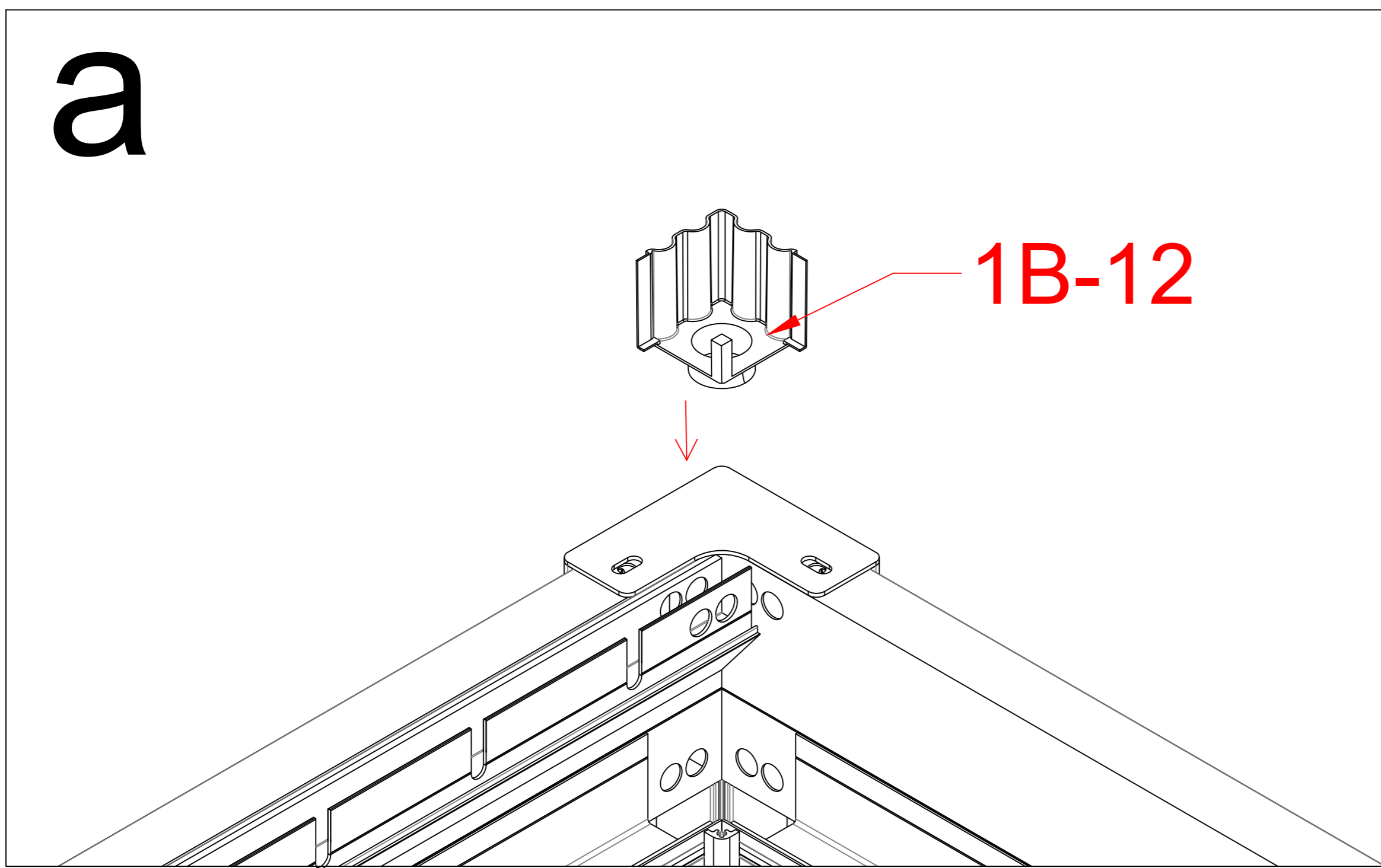
Warning:
Before installation, tear off the protective film of the tape on the back side of Gutter.

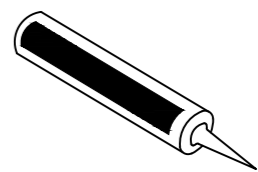
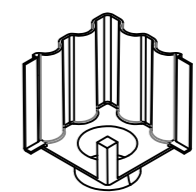


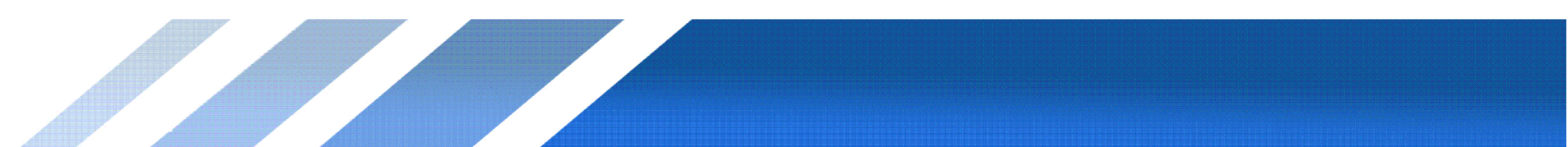
4screws/3m side
5screws/4m side

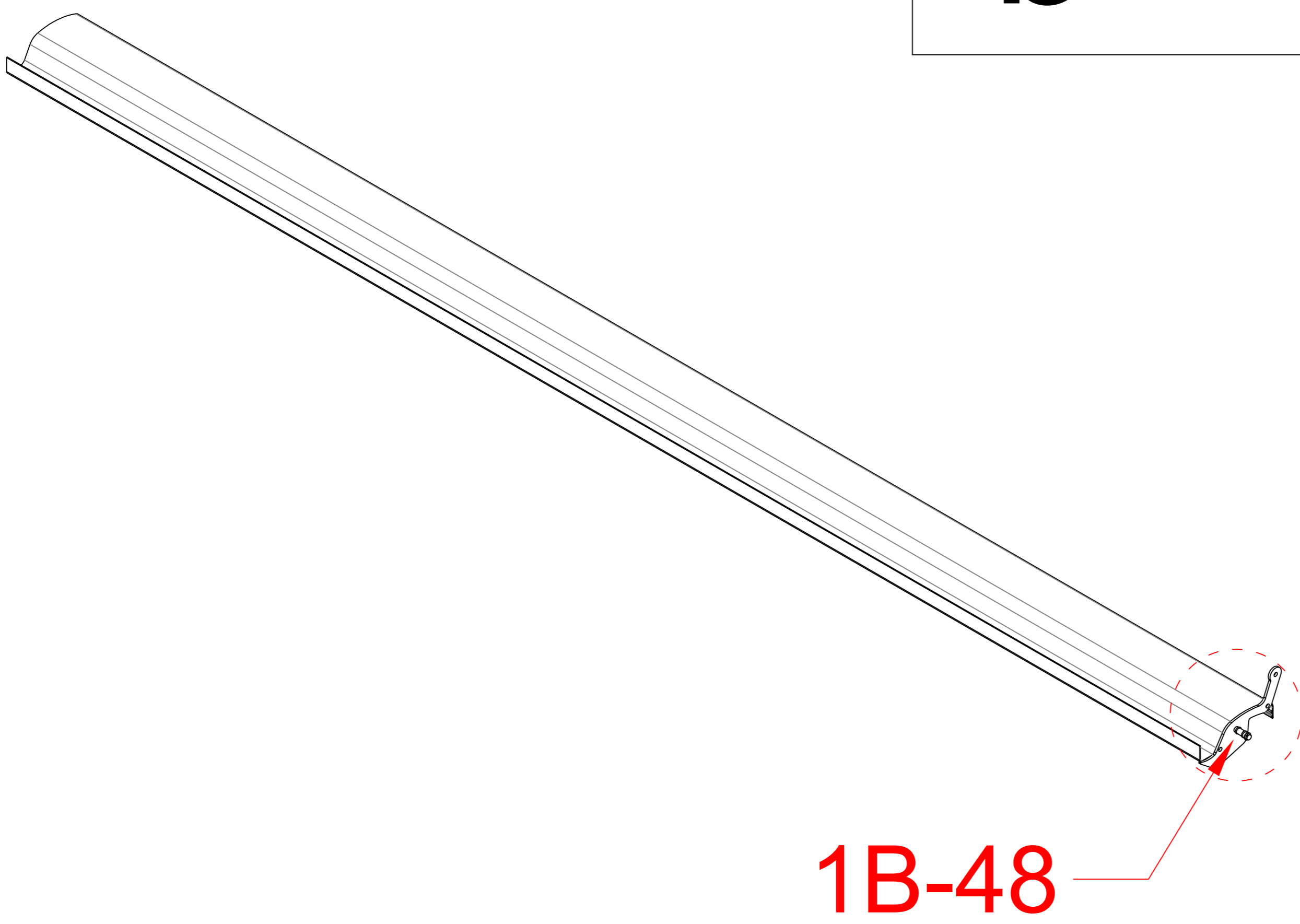
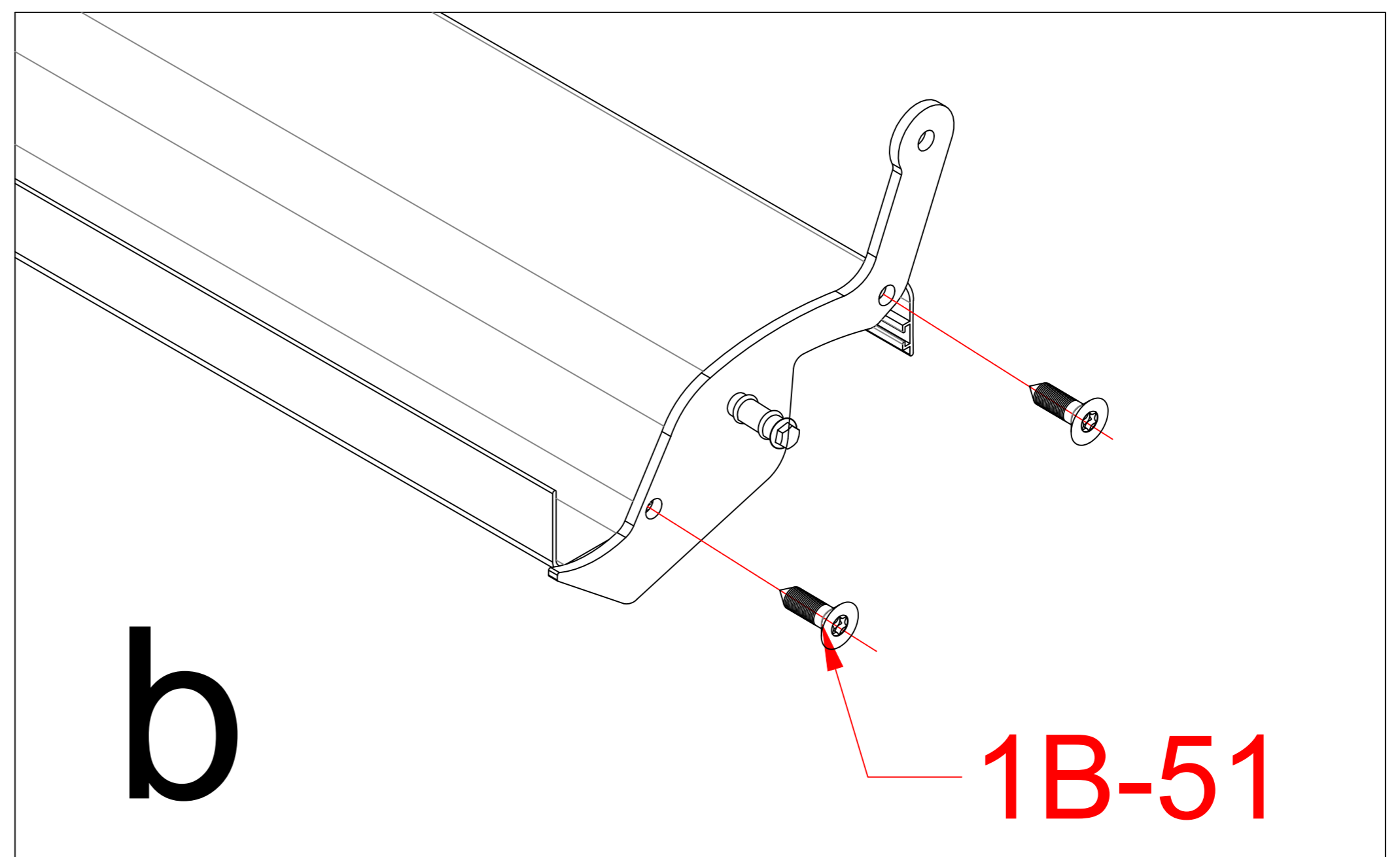
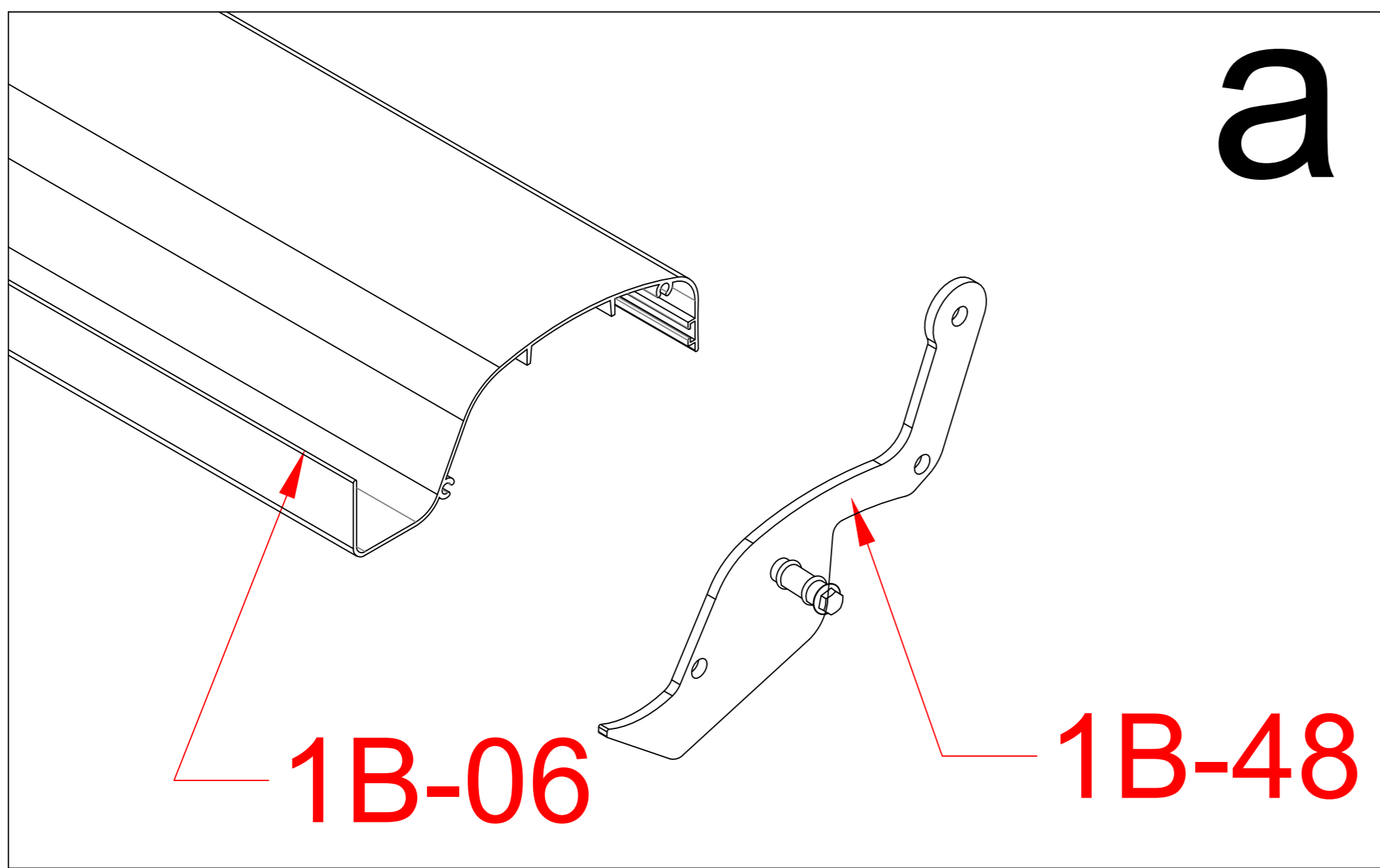
1B-24		1
1B-05		2
1B-23		8



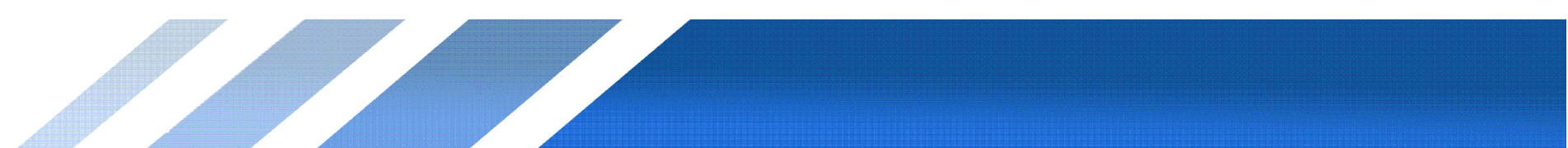


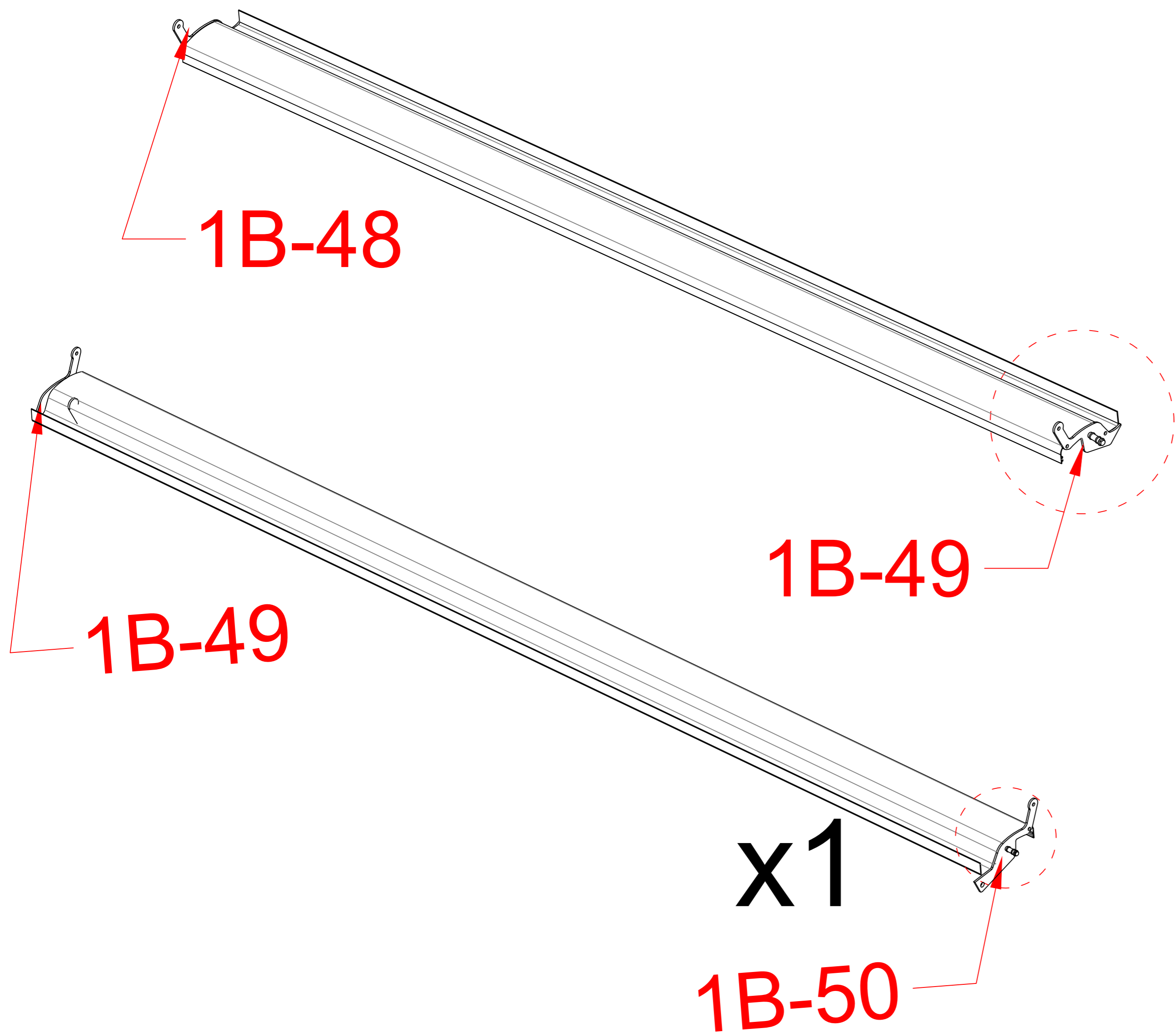
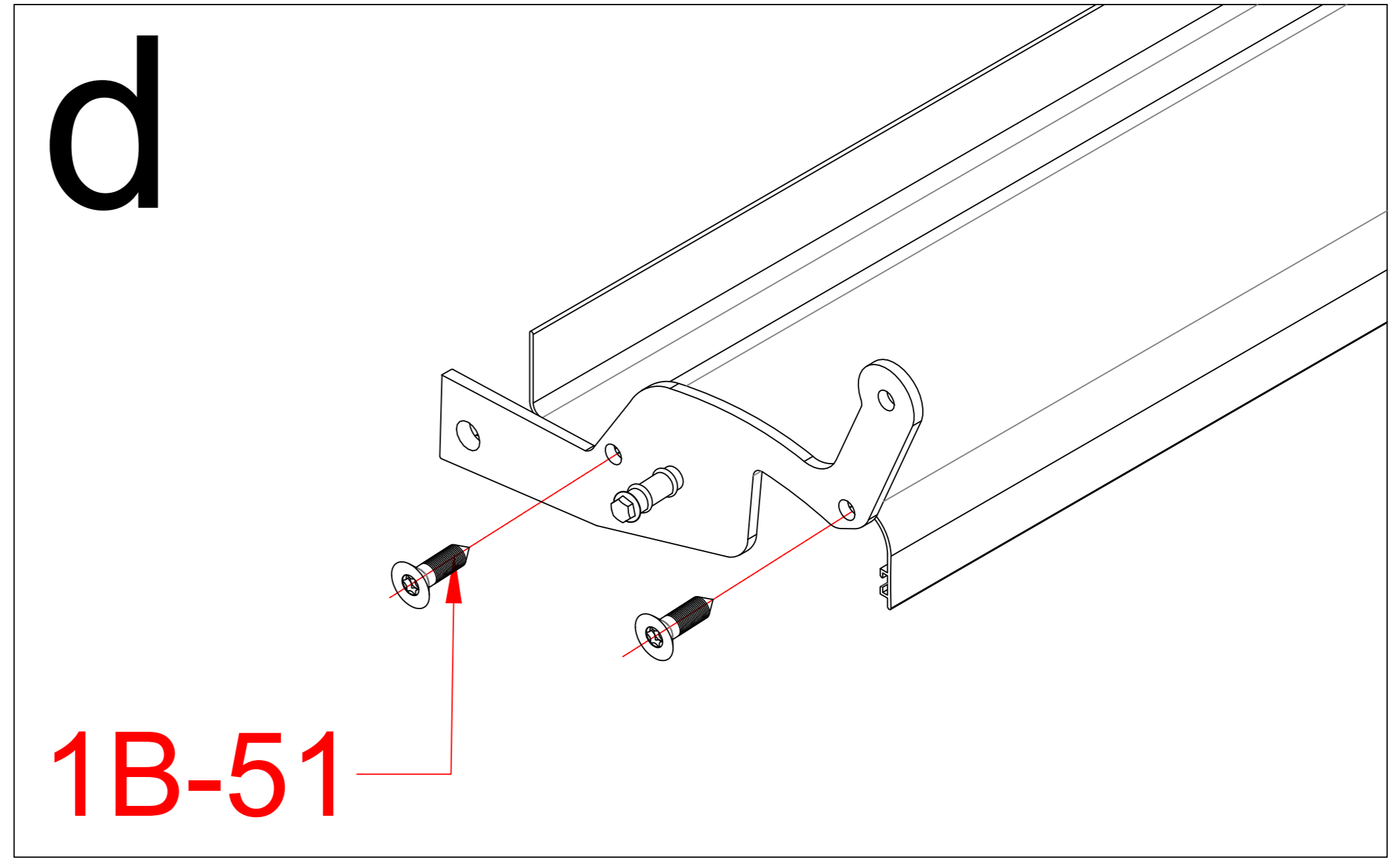
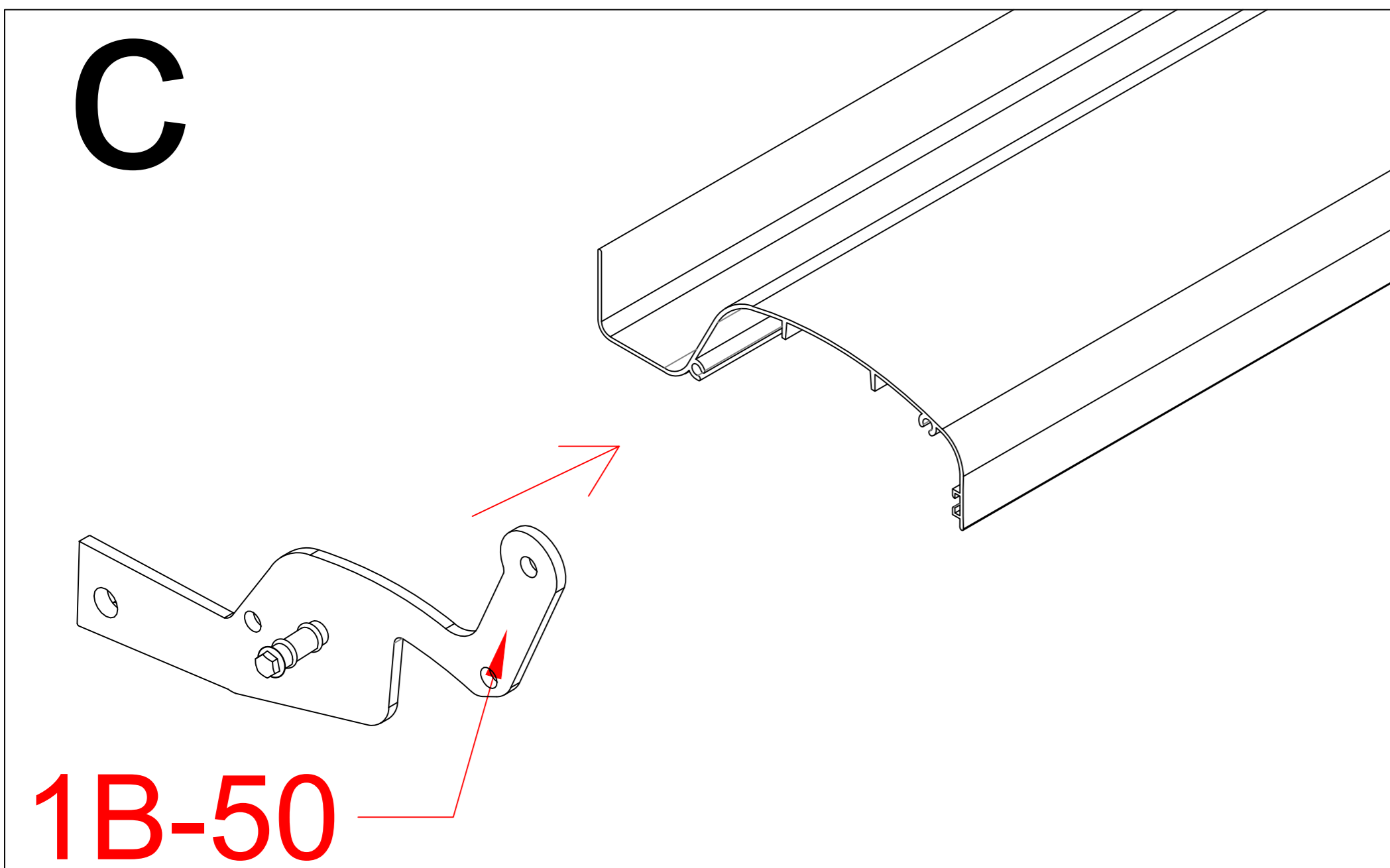
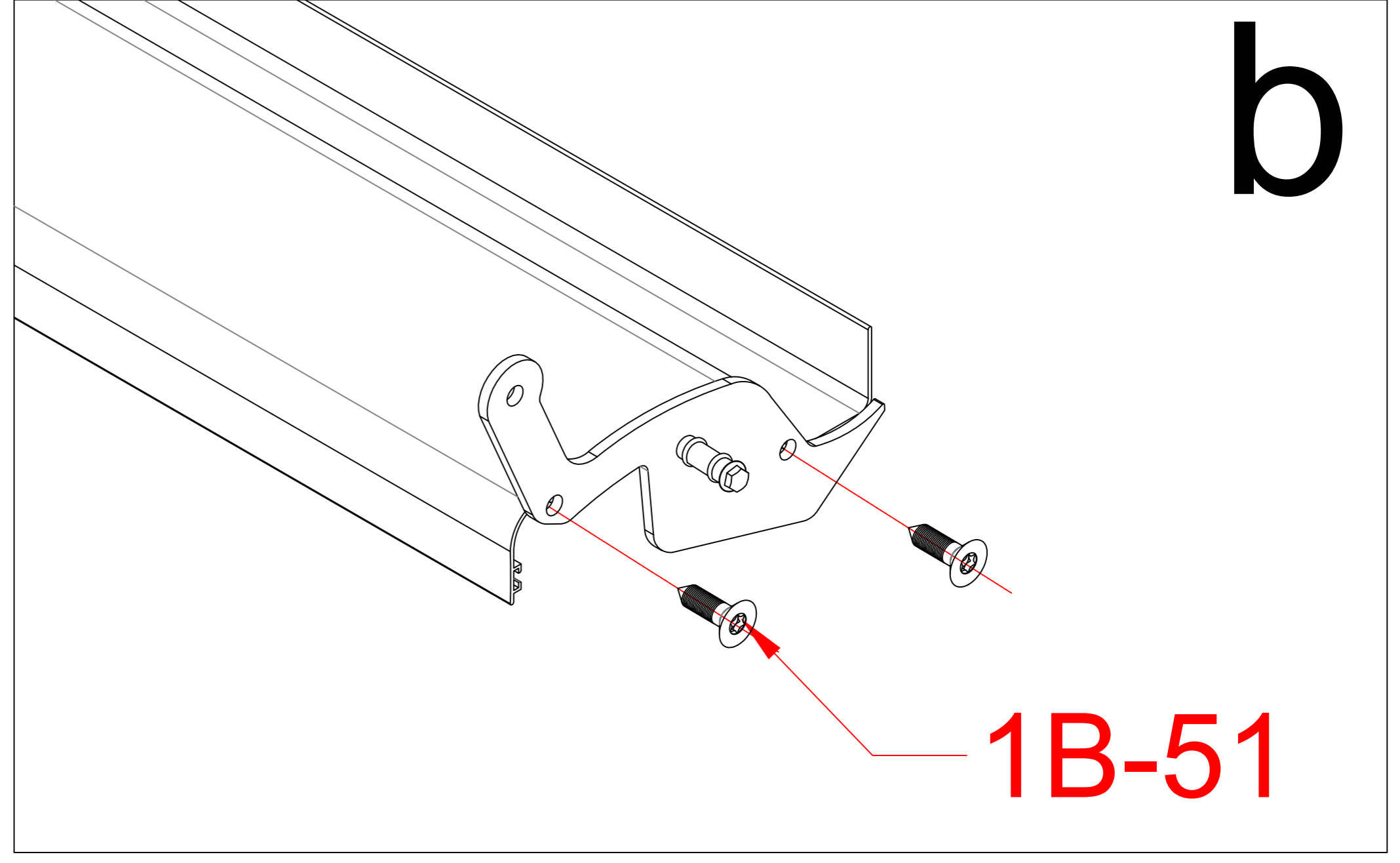
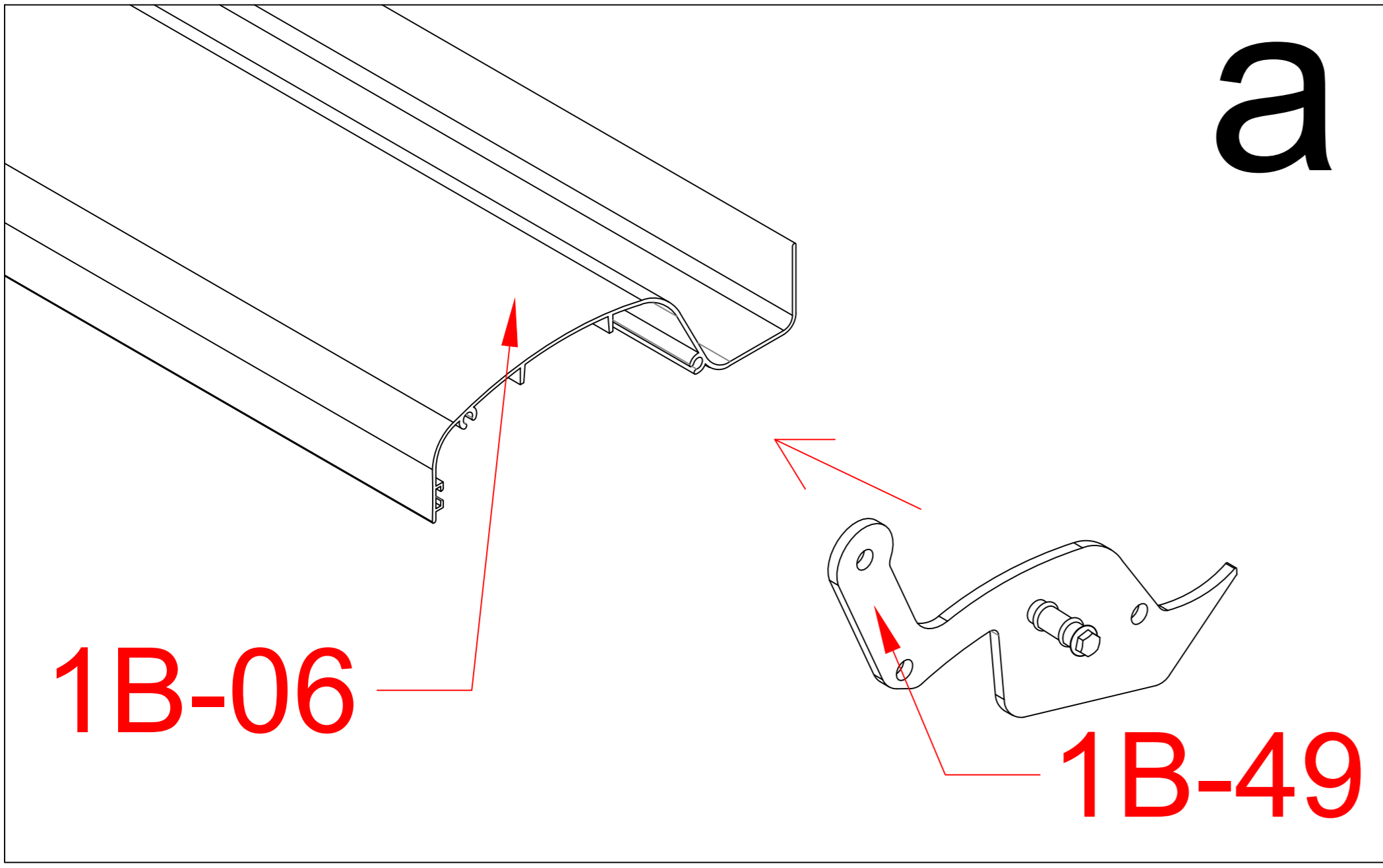
1B-24		1
1B-12		2



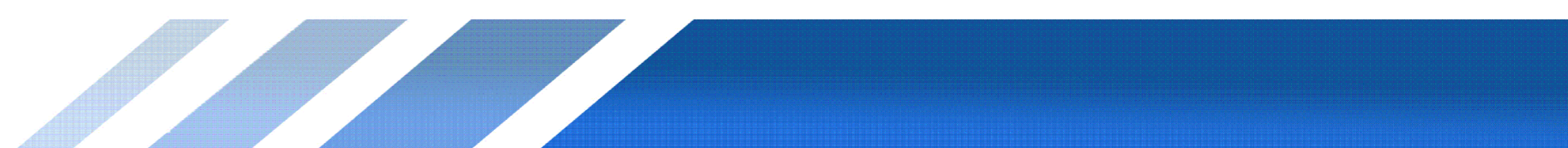


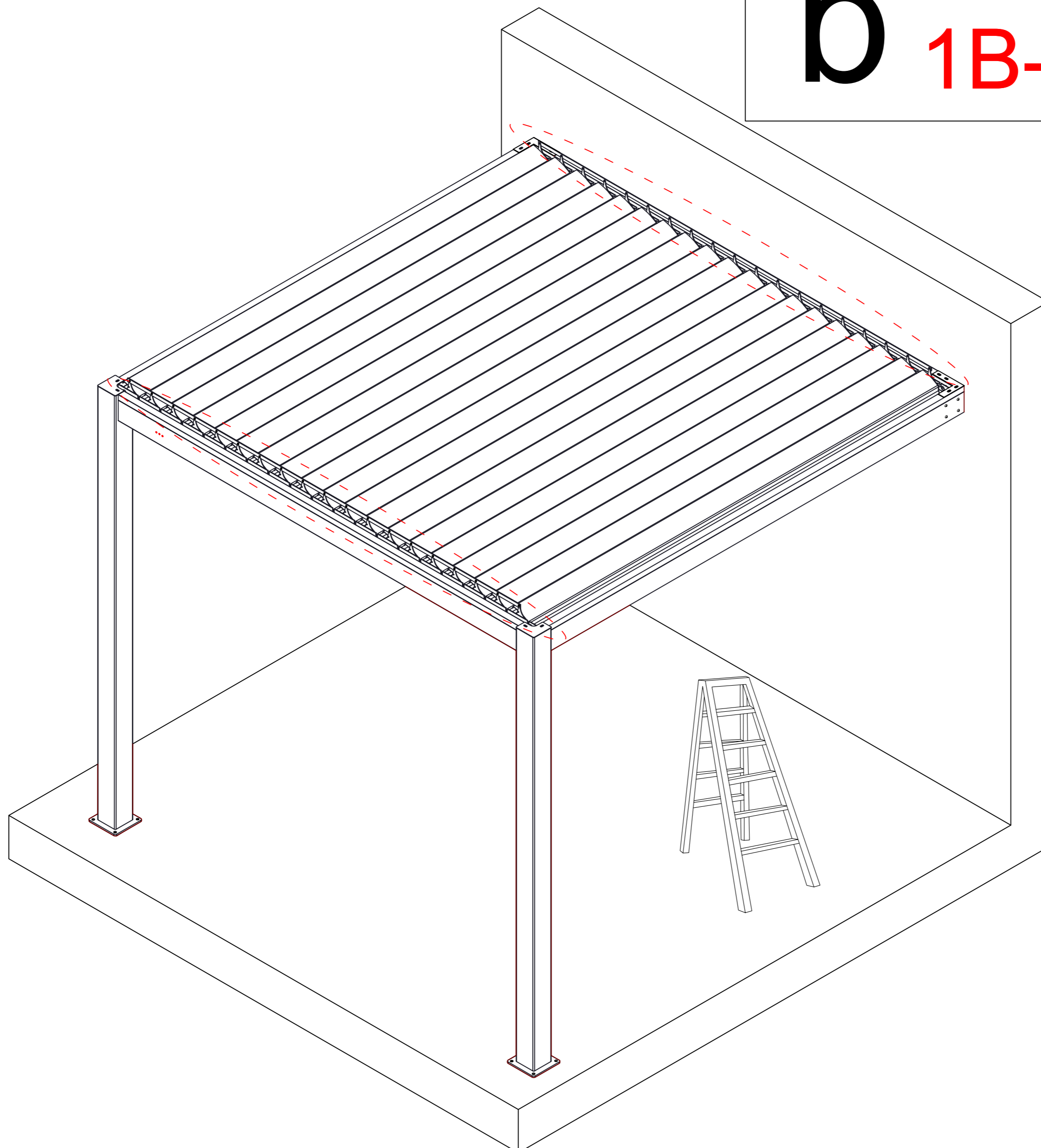
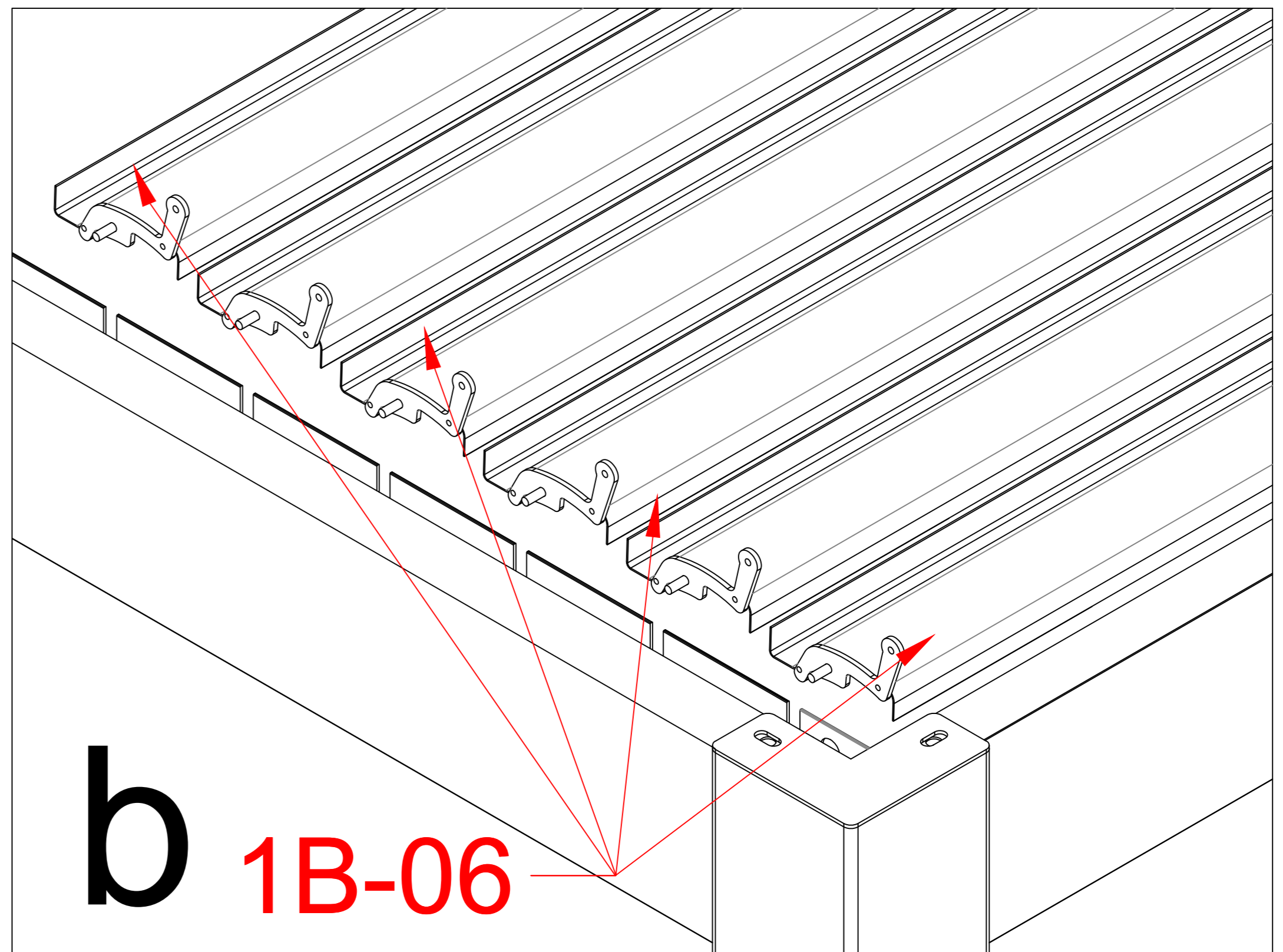
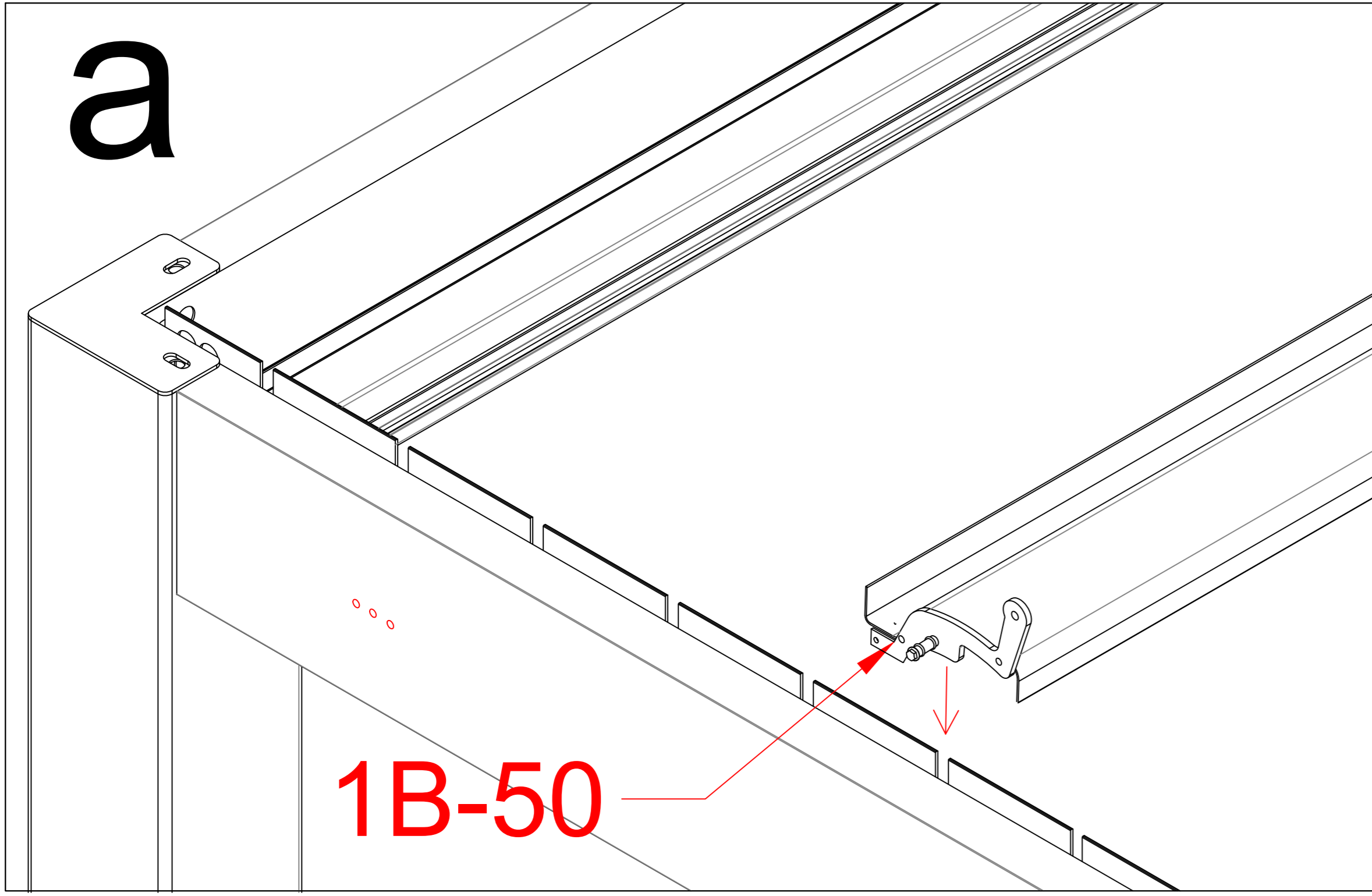
1B-64		1
1B-51	 M3.5*25	64
1B-06		33
1B-48		32





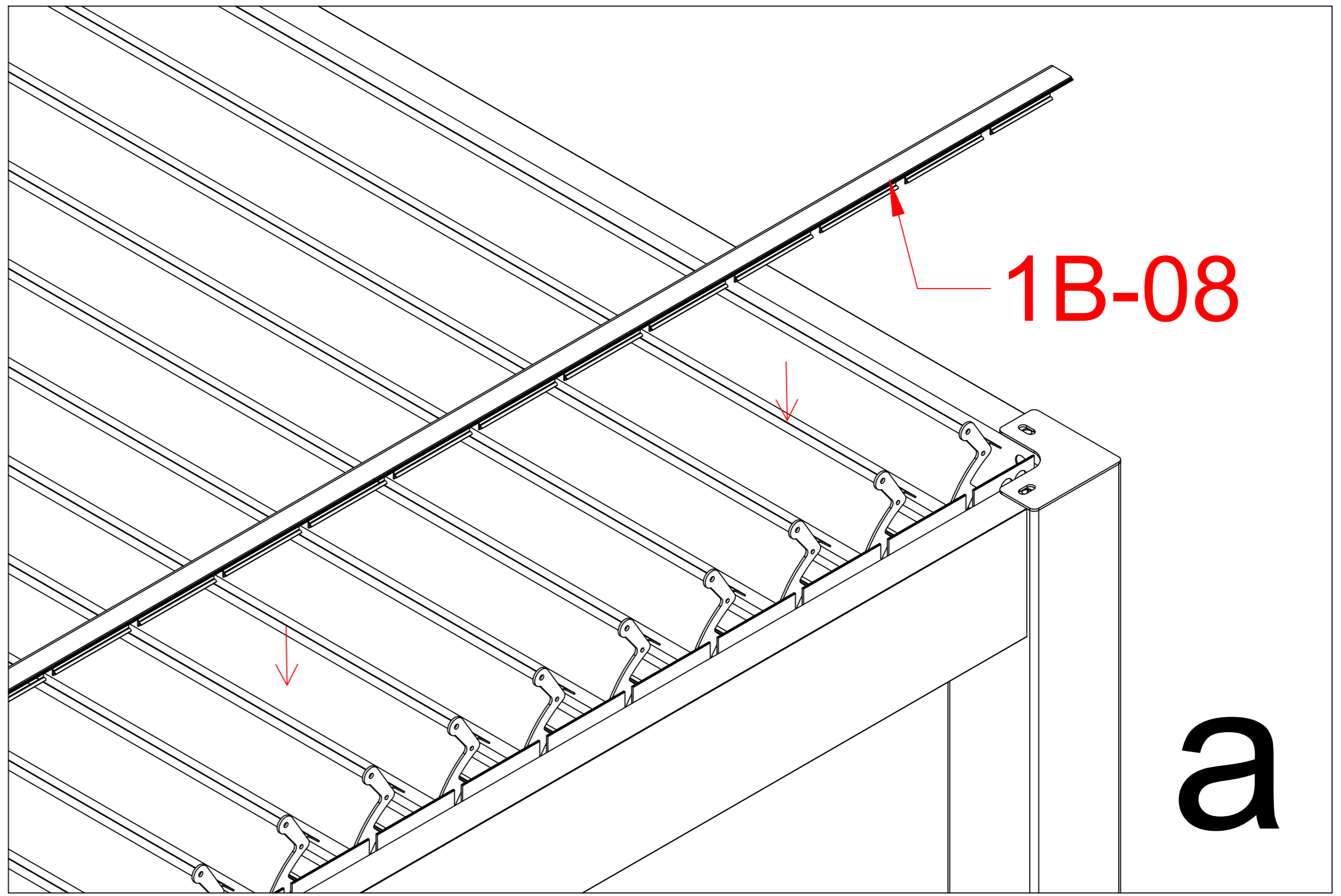
1B-64		1
1B-49		33
1B-50		1
1B-51	 M3.5*25	68



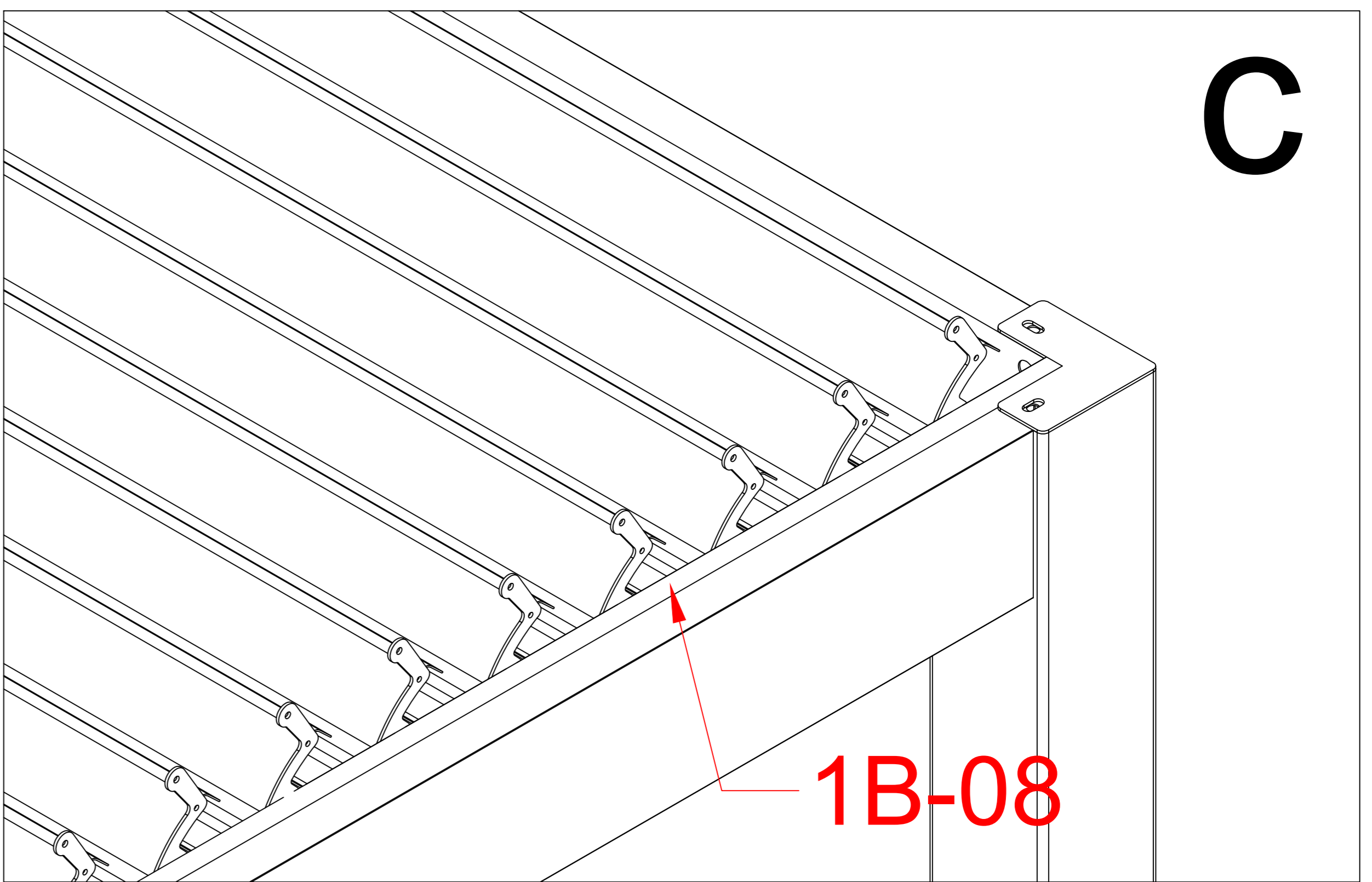


1B-06		X
-------	--	---

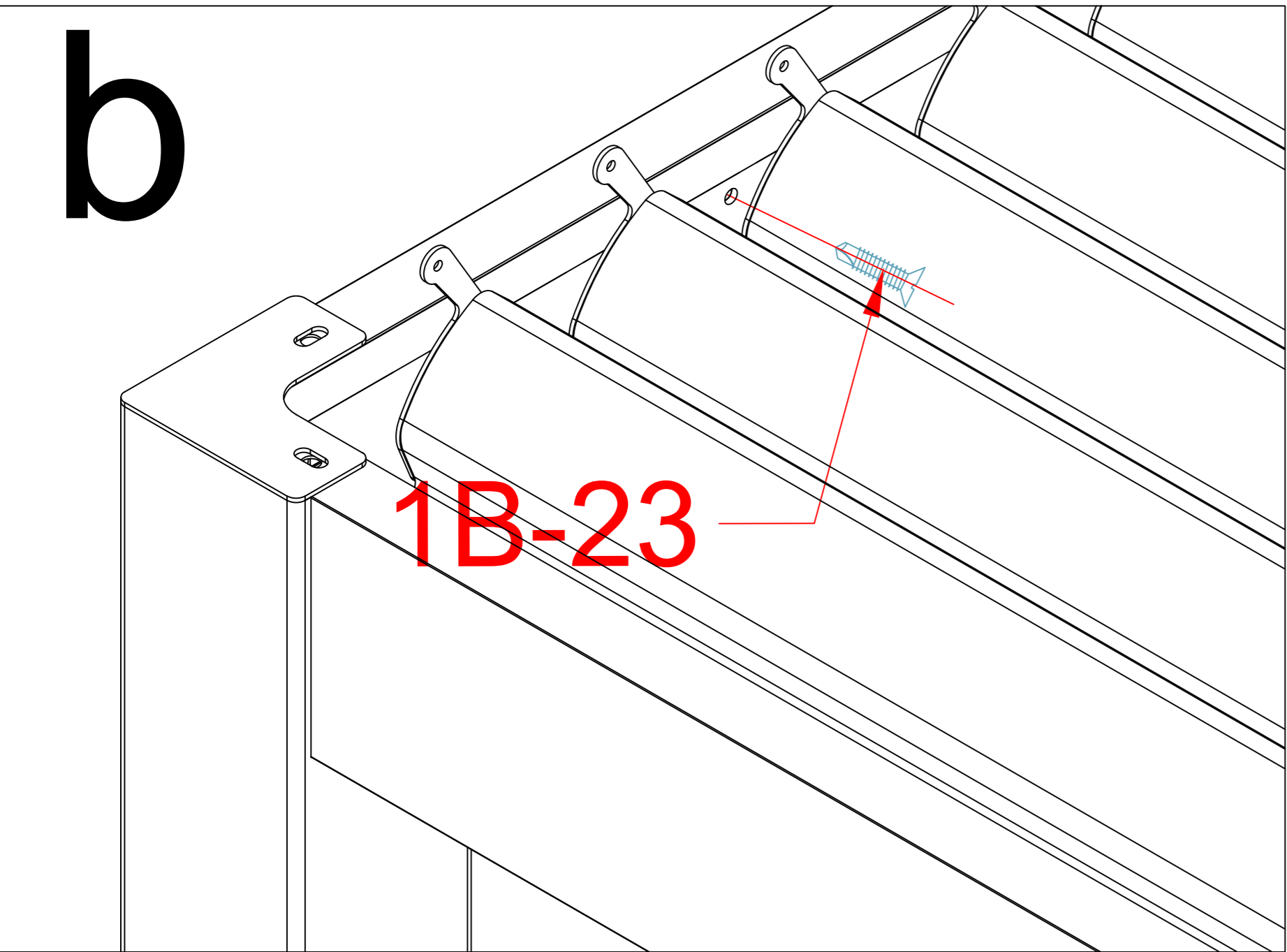




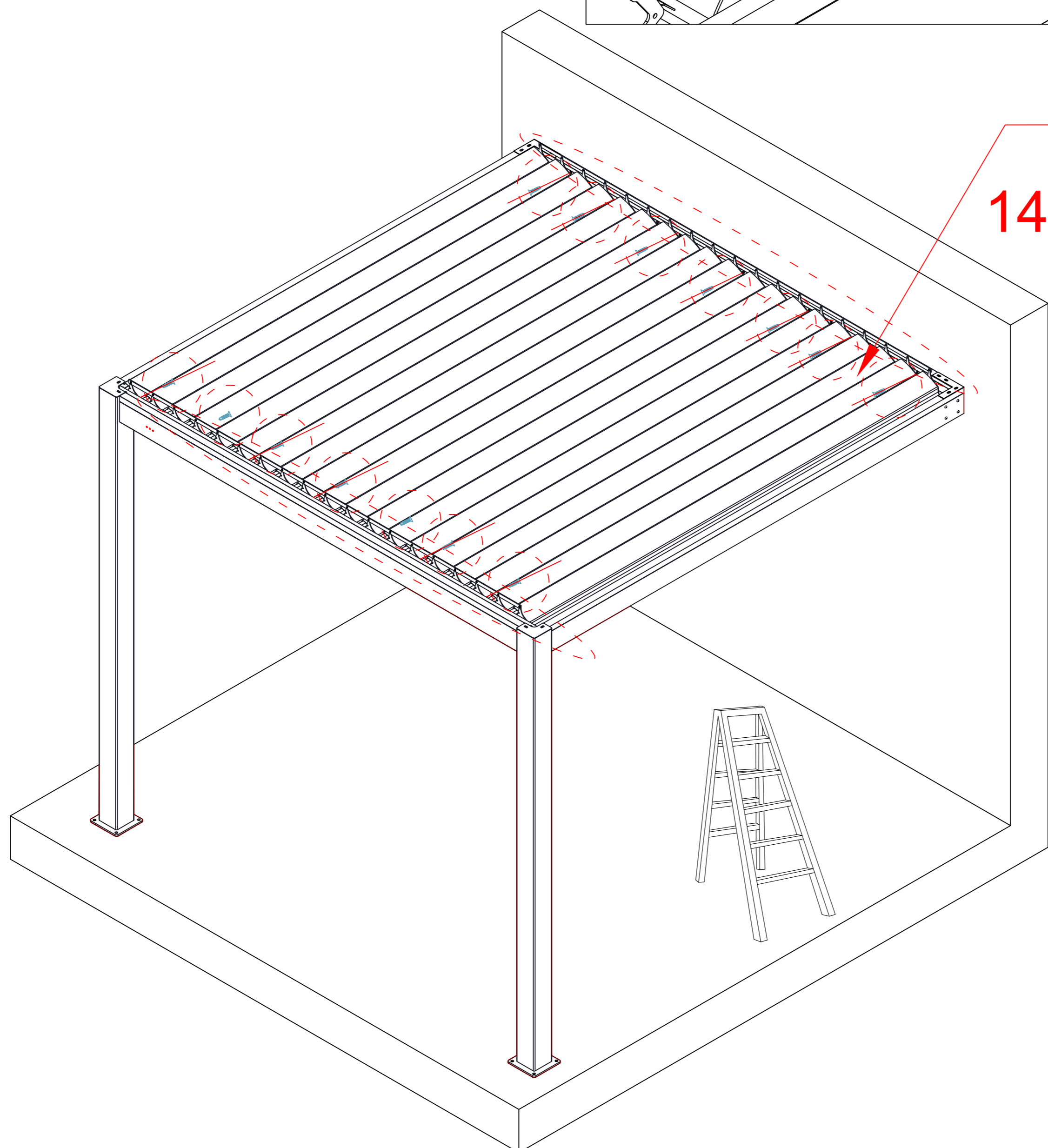
a




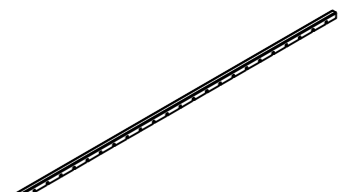

c

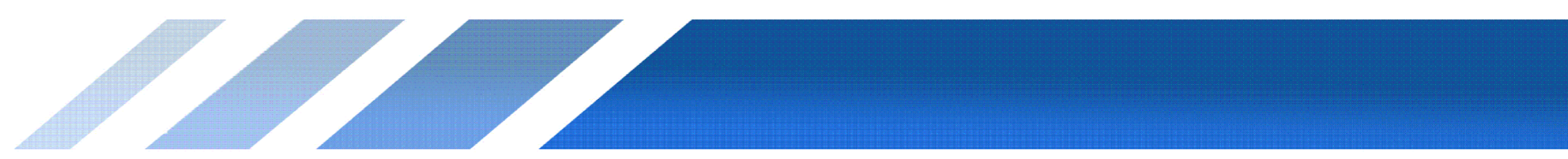


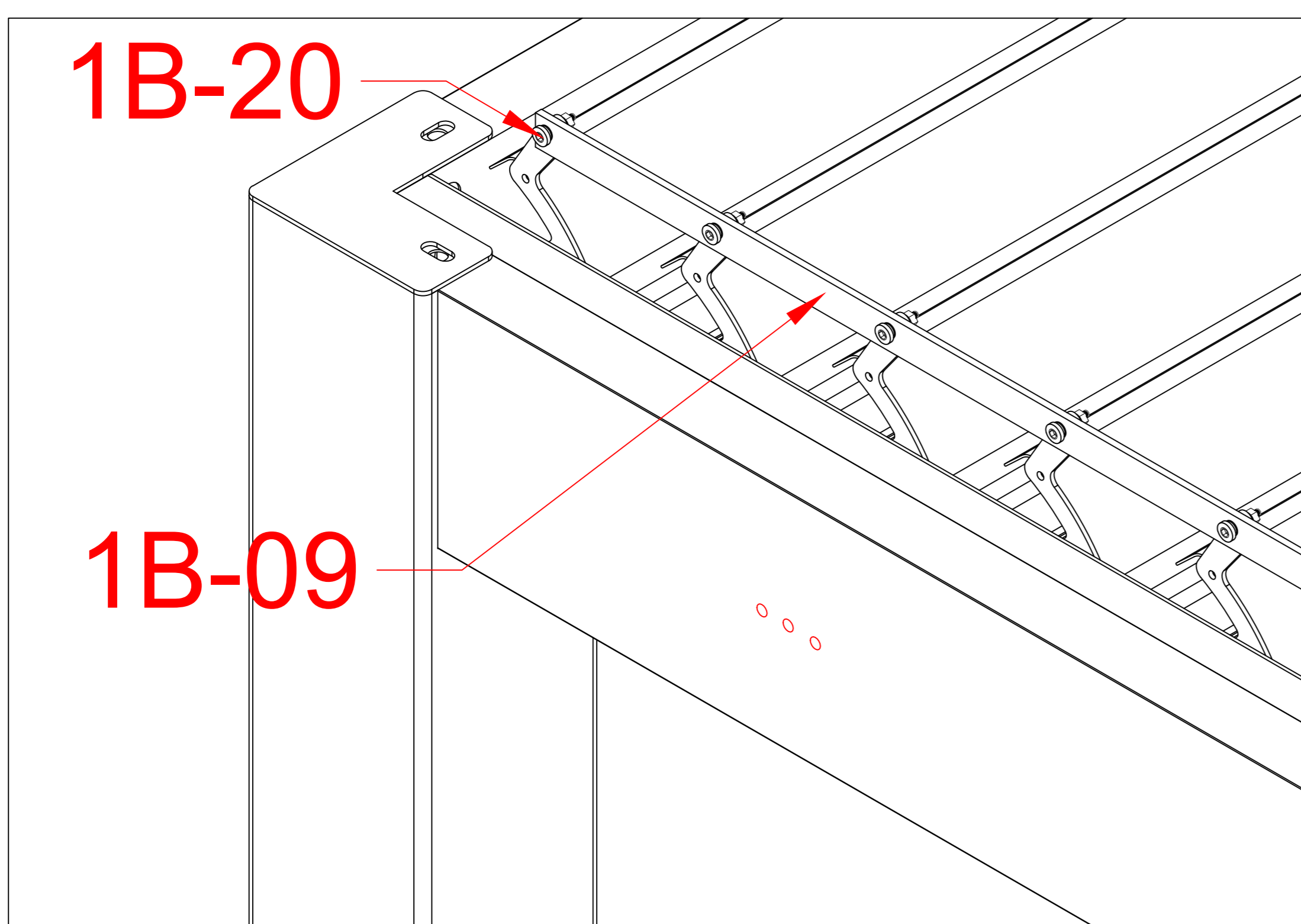
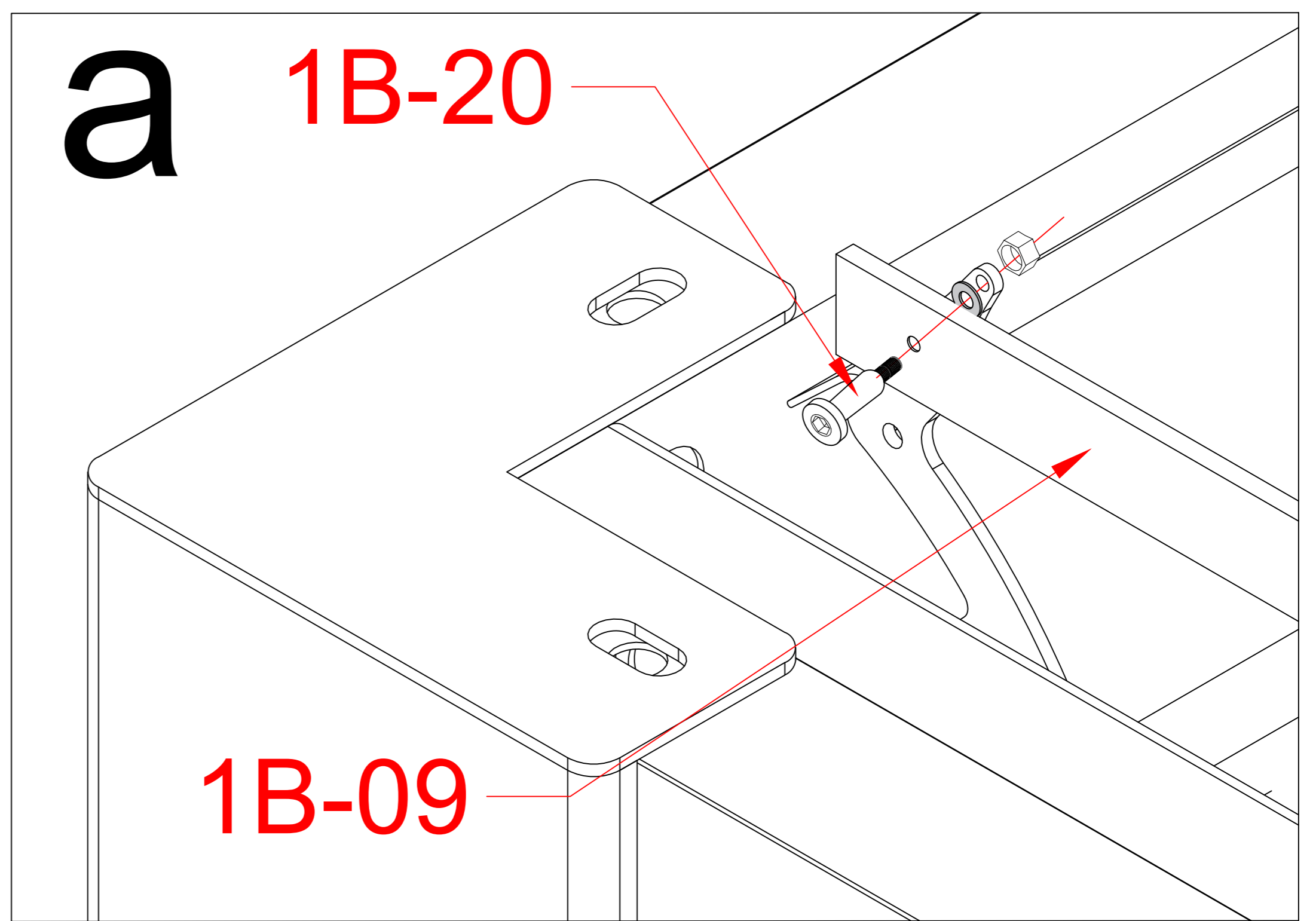
b



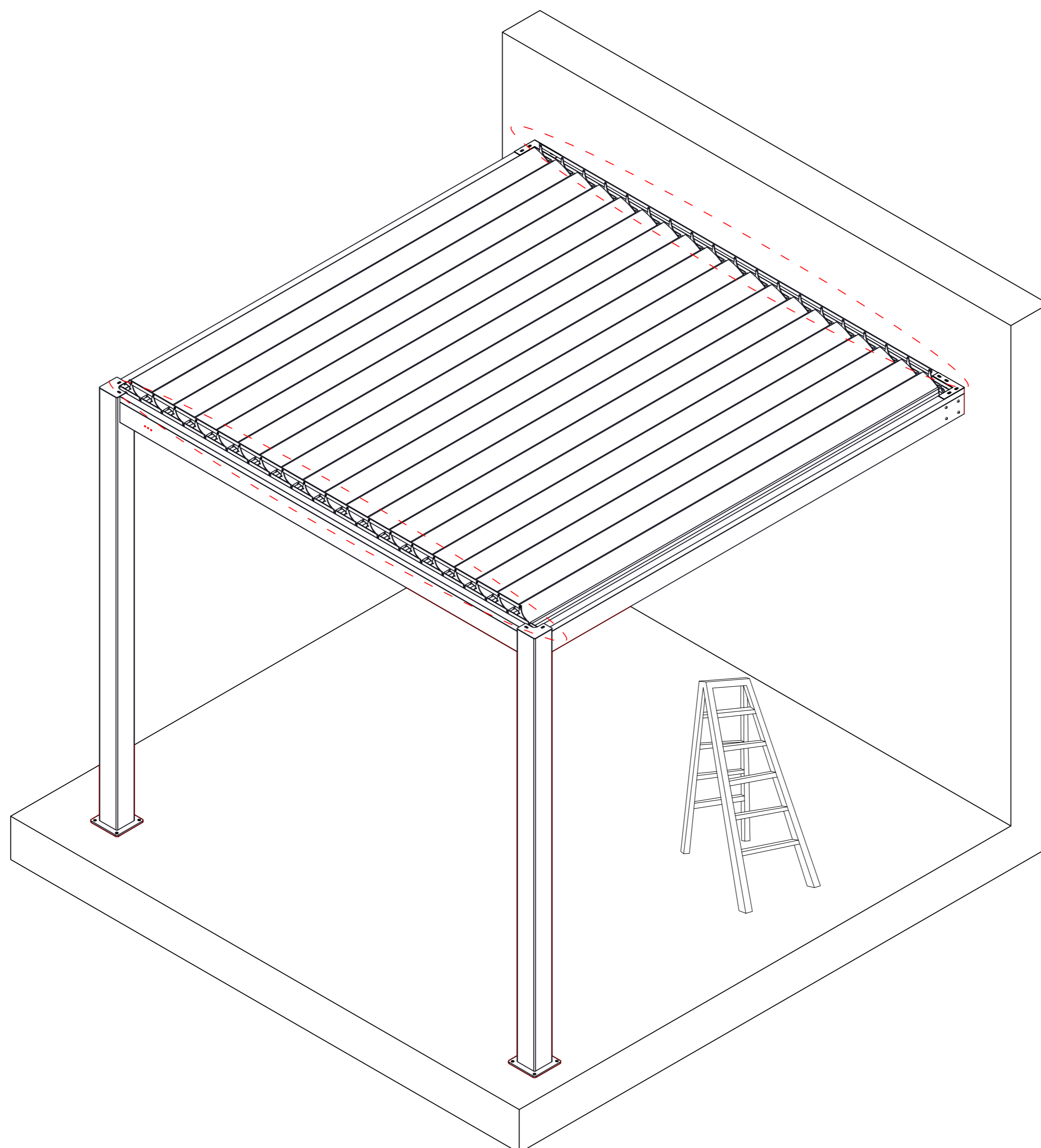
1B-23
14 screws: 7 screws / strip

1B-23		14
1B-08	 	2



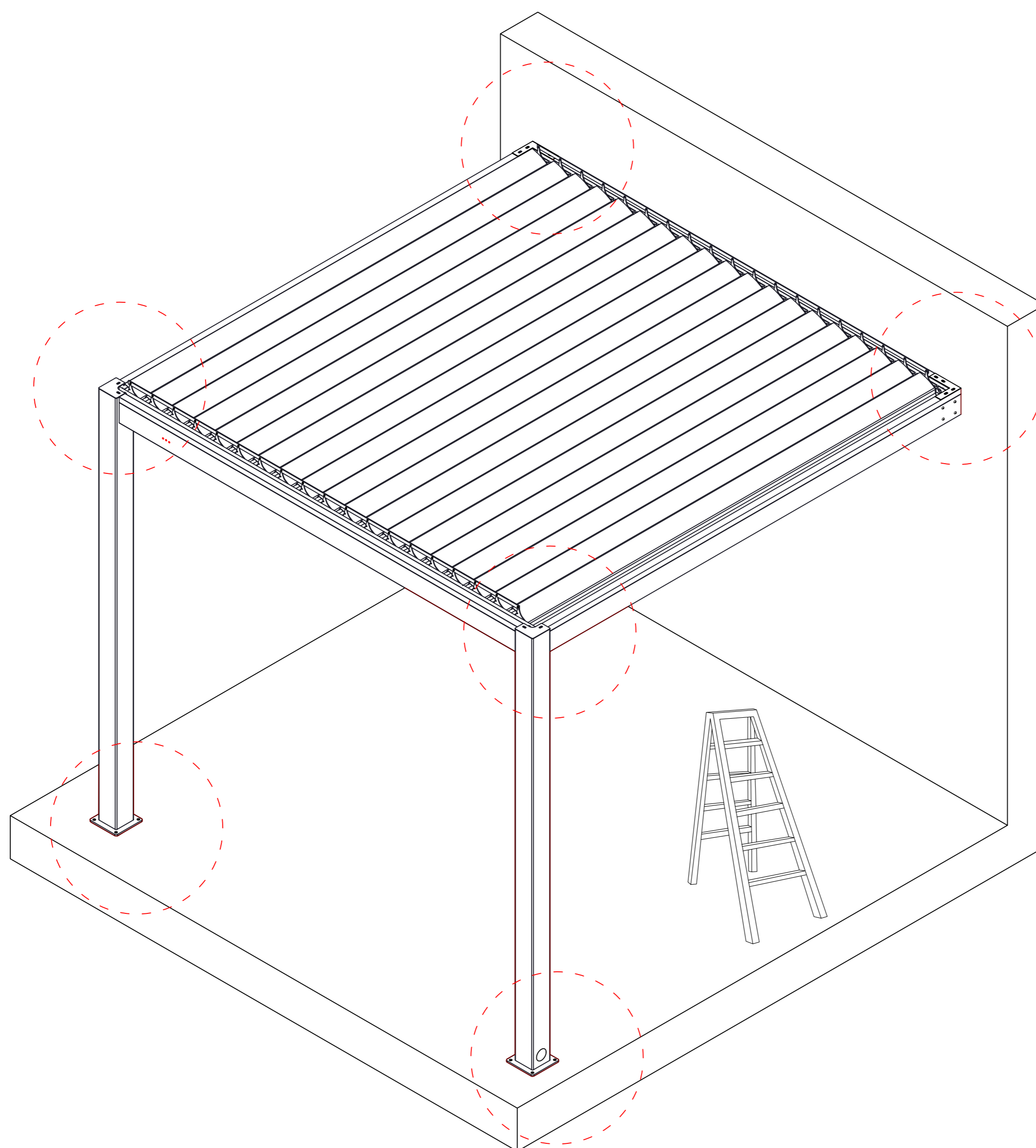
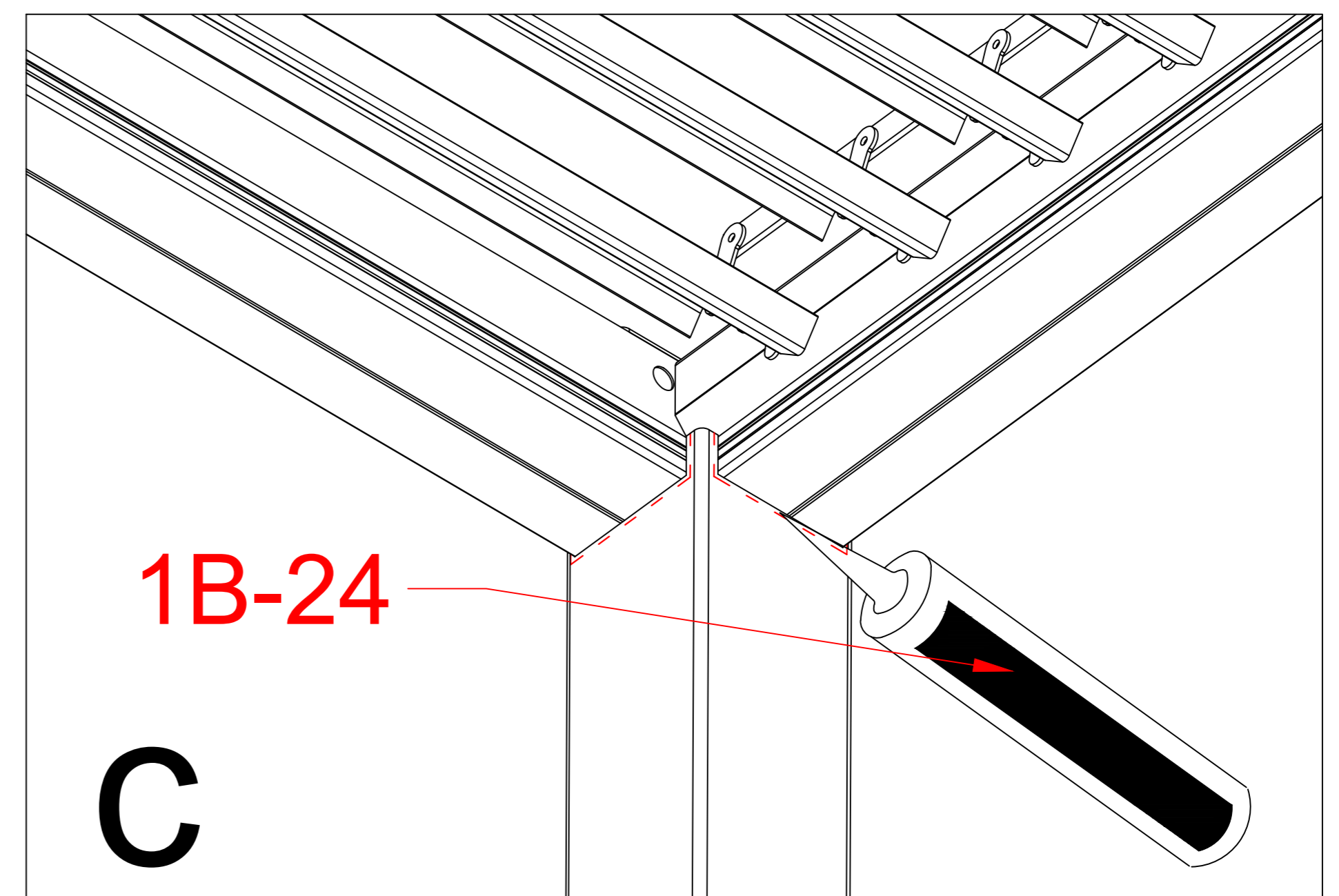
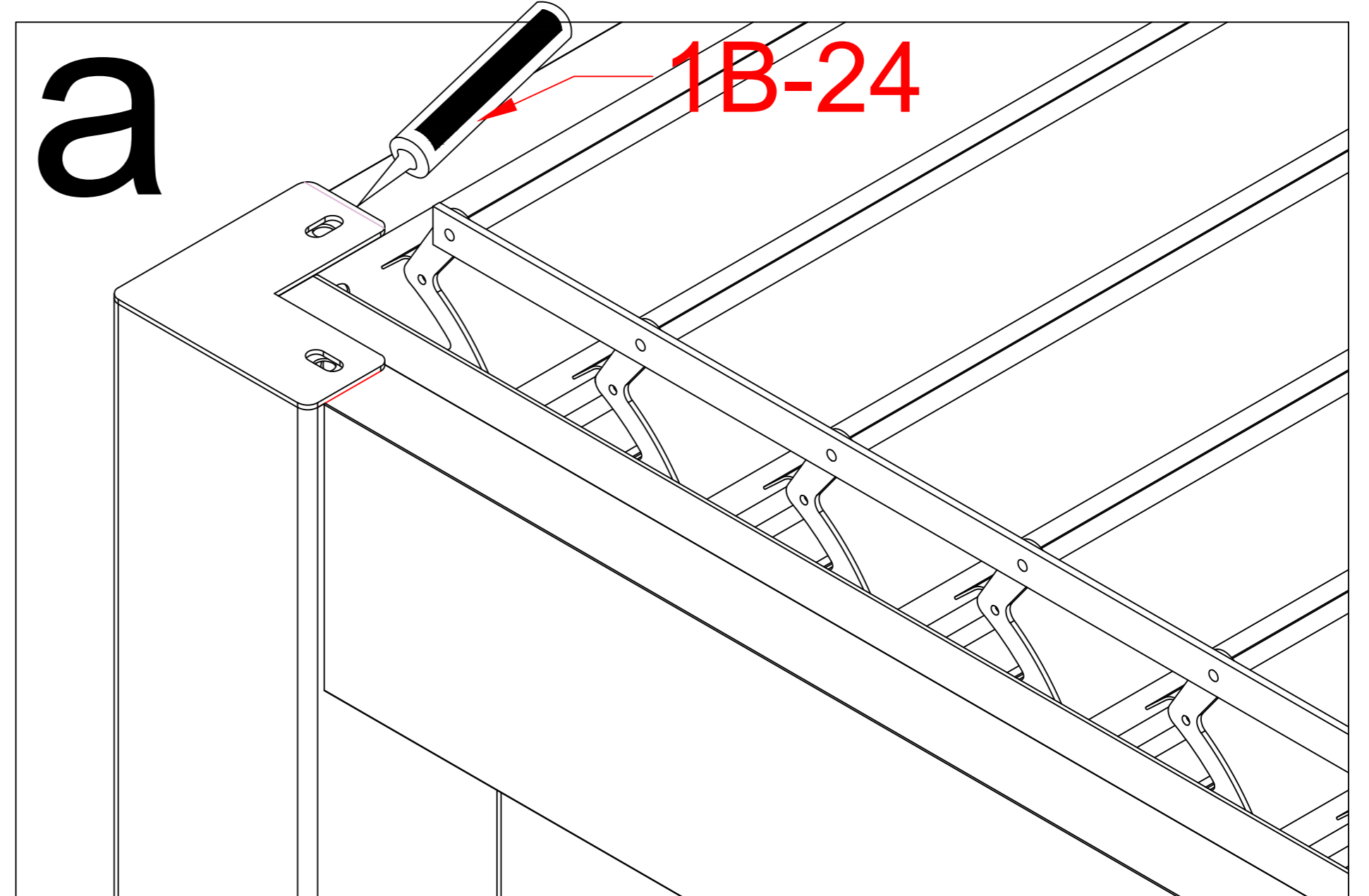
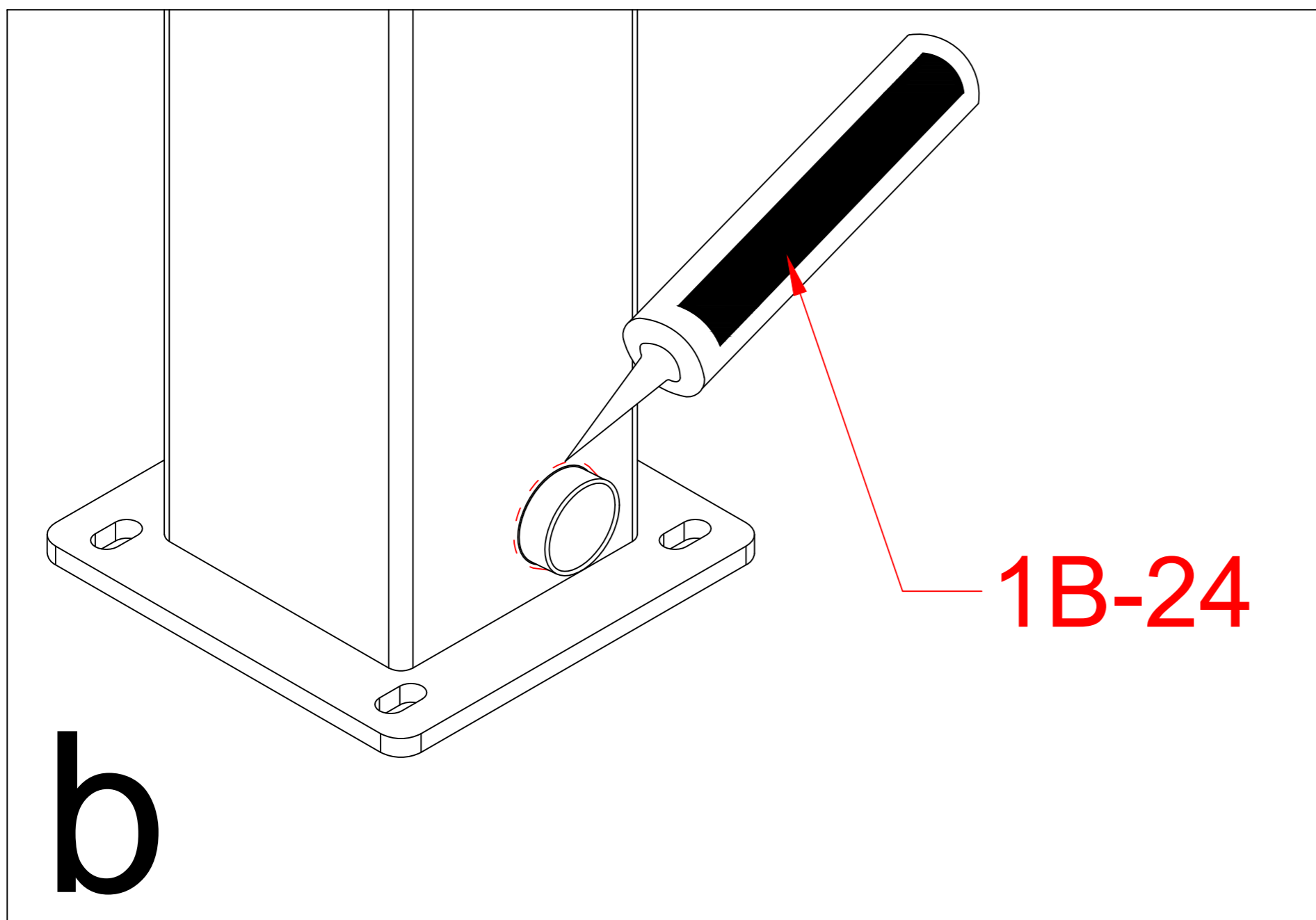


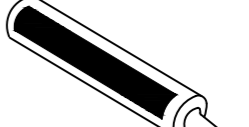
b

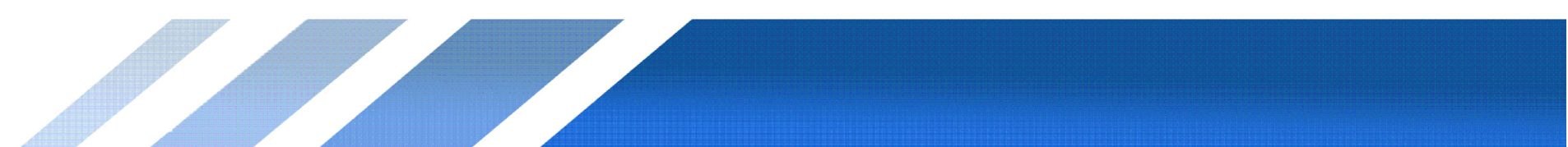


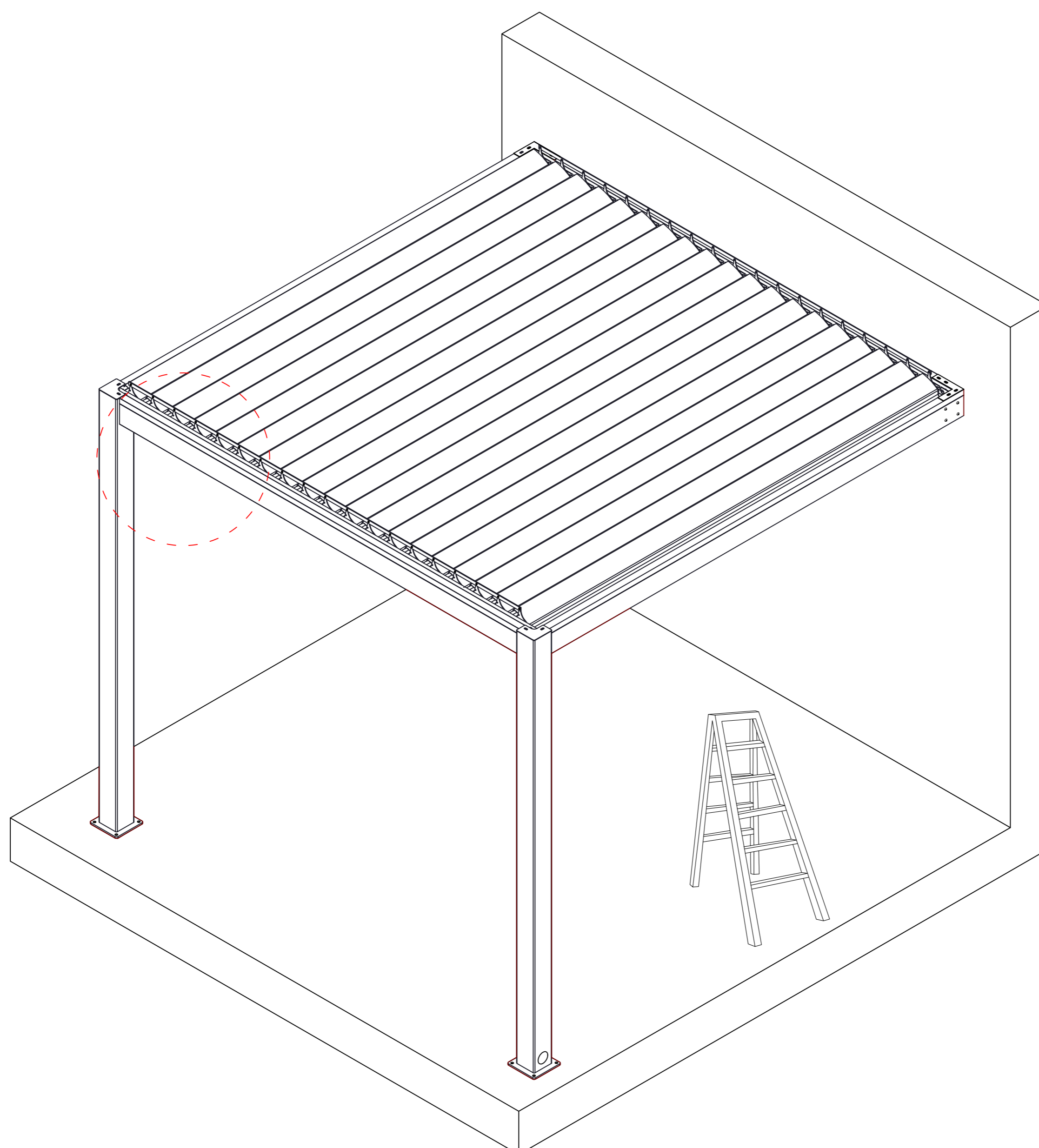
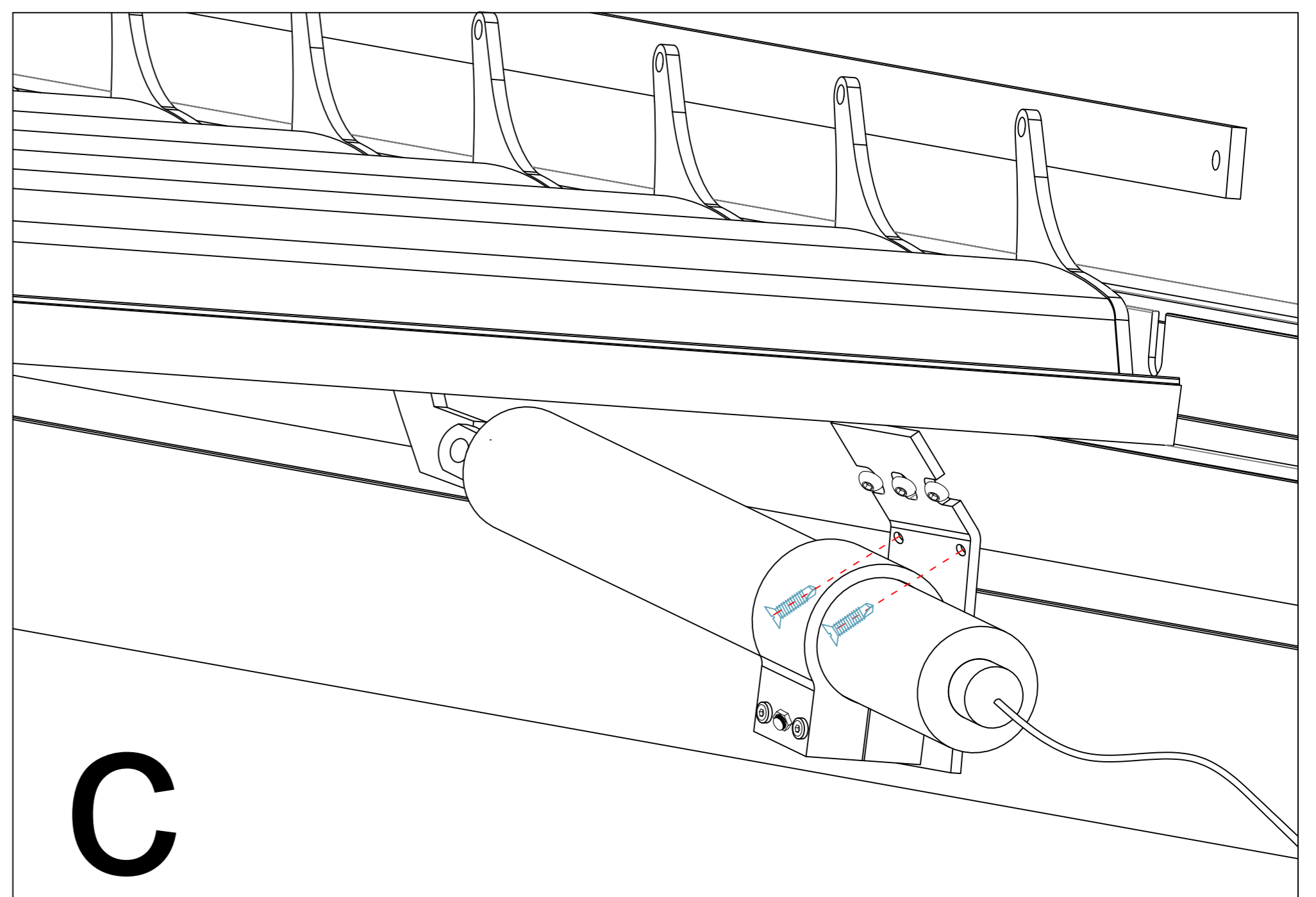
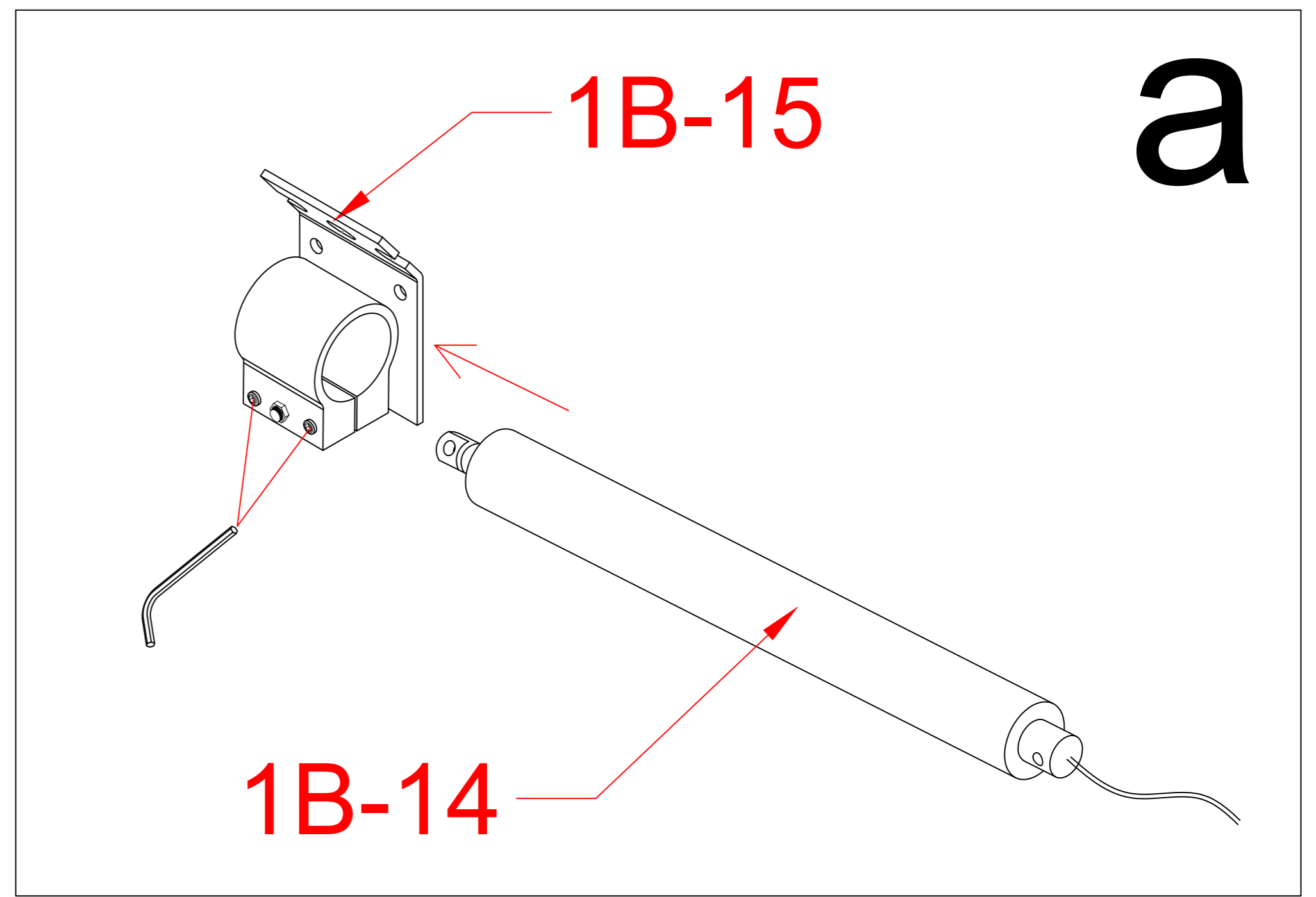
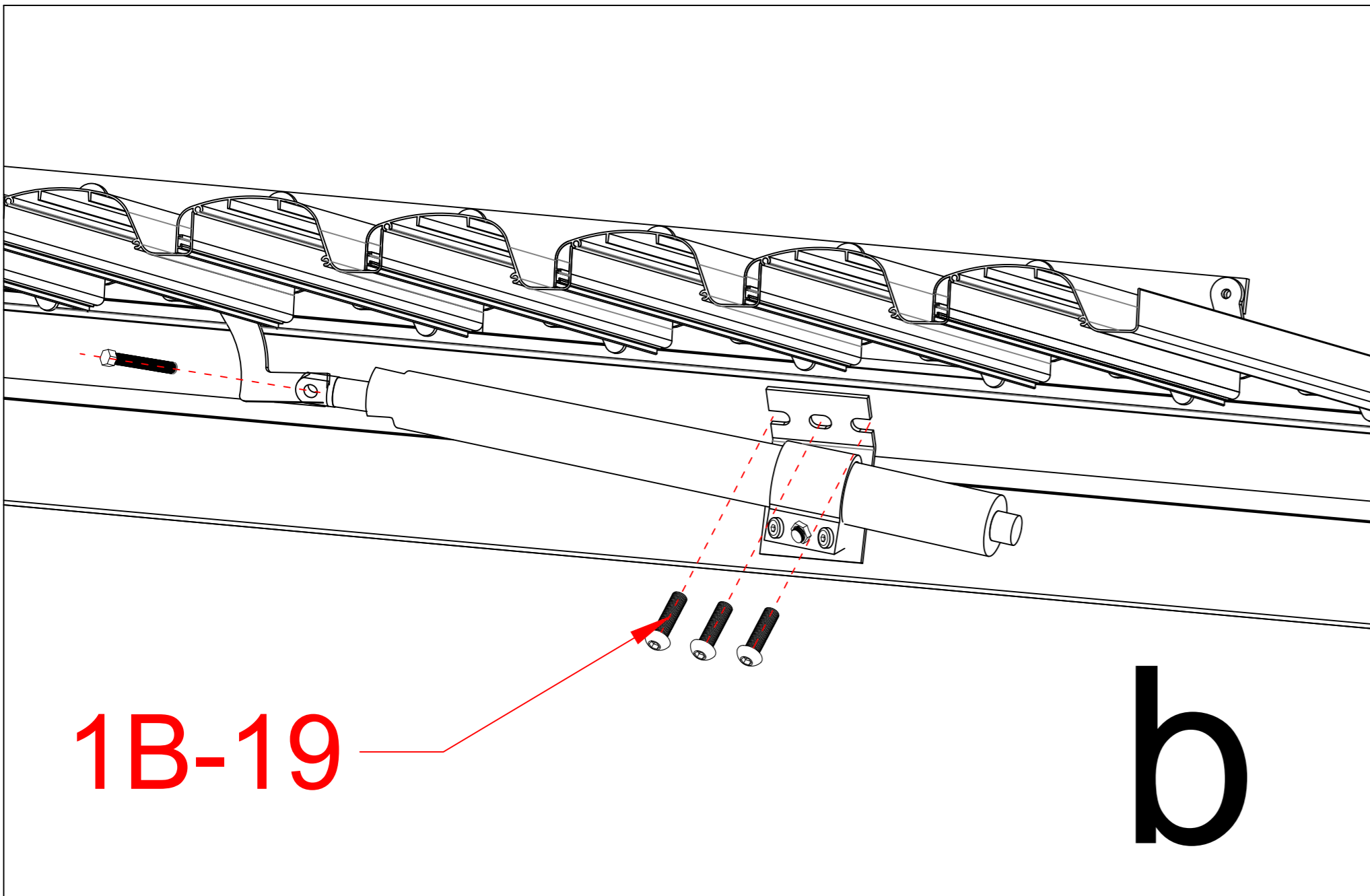
1B-09		2
1B-20		X



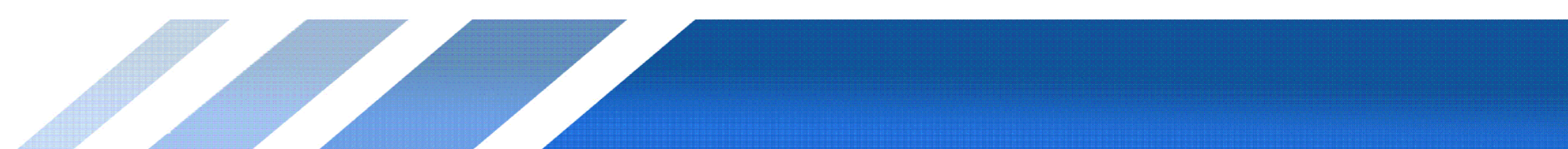


1B-24		1
-------	---	---



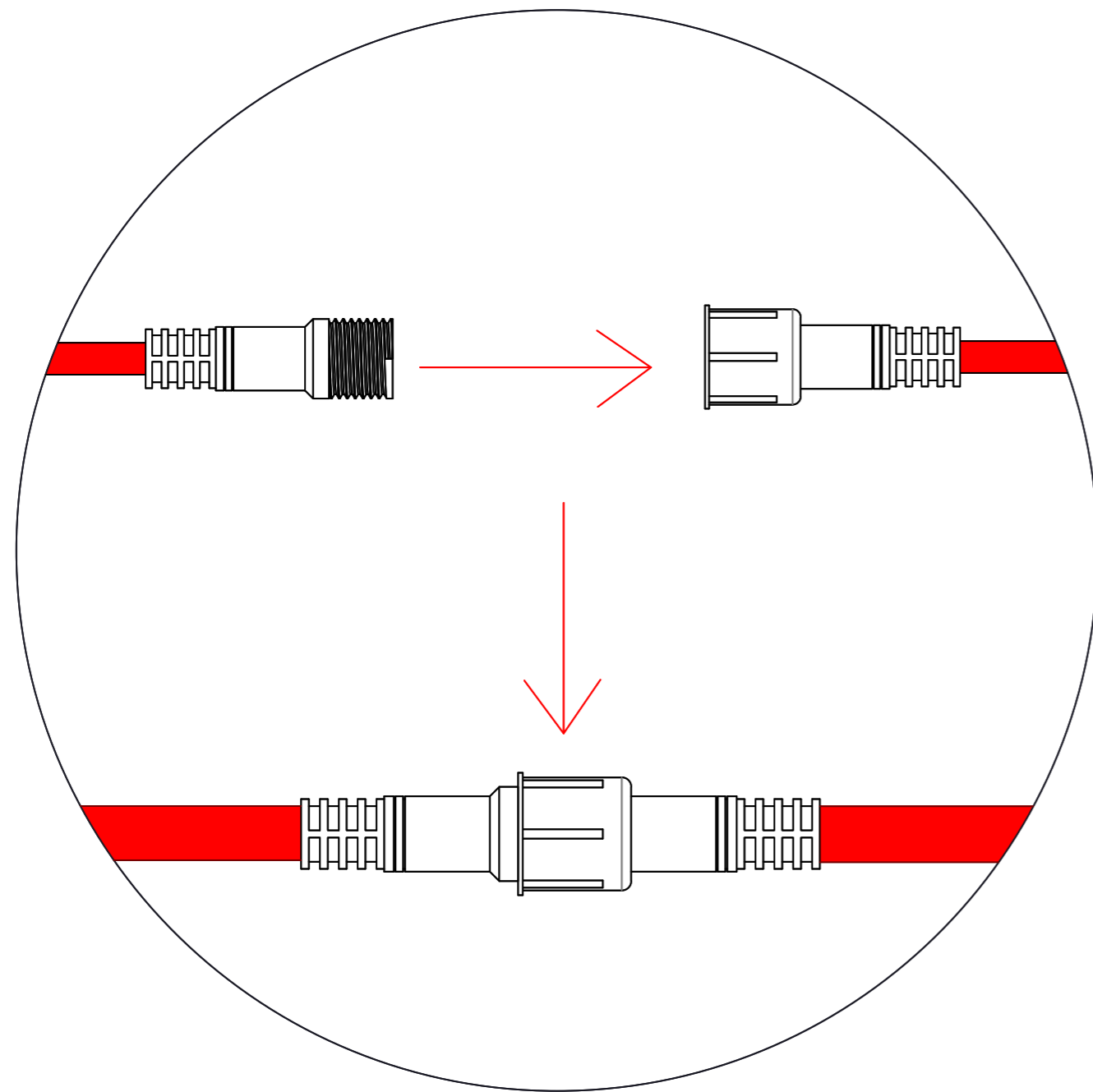
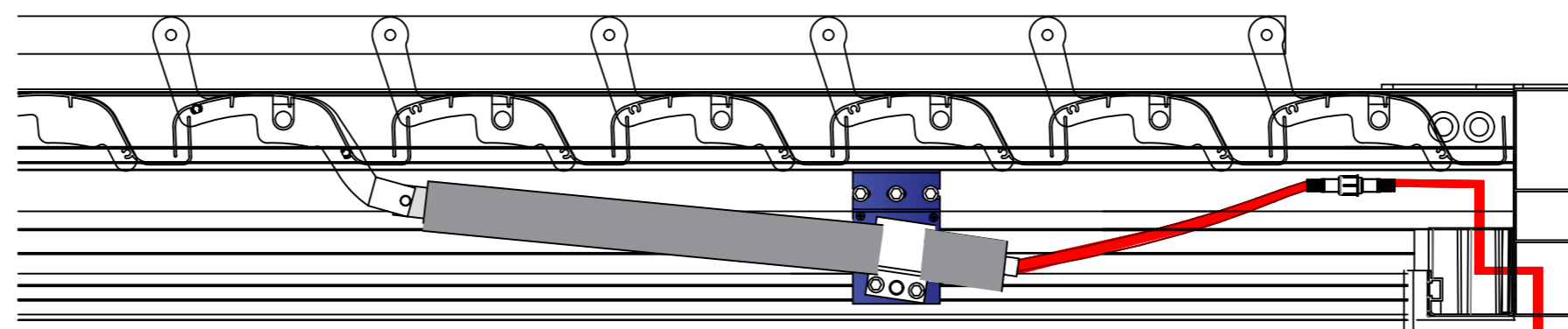


1B-14		1
1B-15		1
1B-19	 M8*20	3
1B-18		1





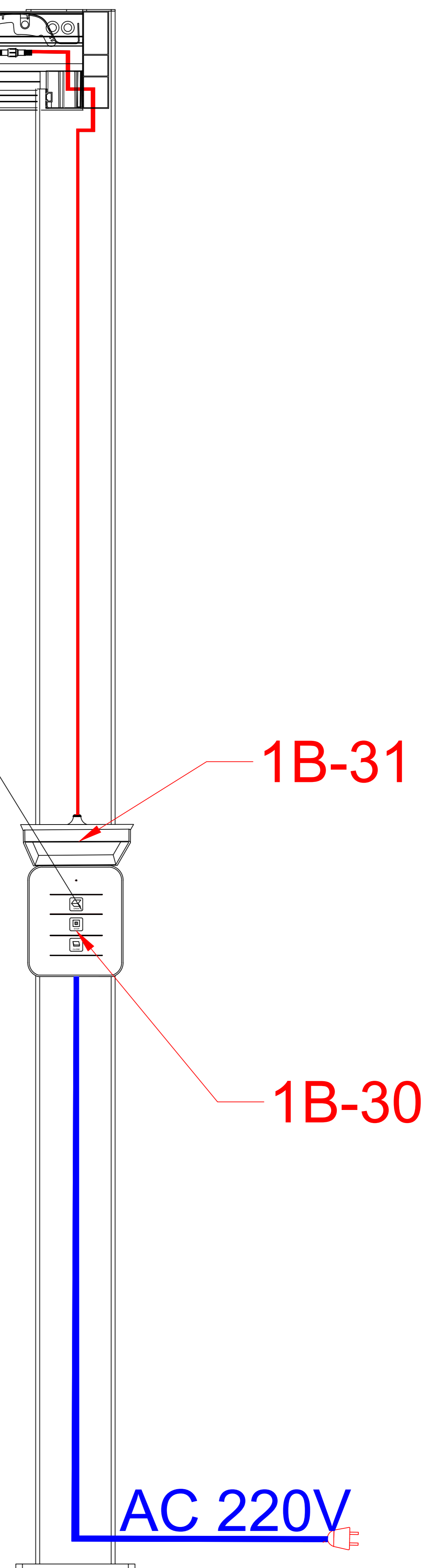
The control box is on the post



Motor controller

Wires Diagram

Power in: 220V
Power Out To
Motor: DC24V

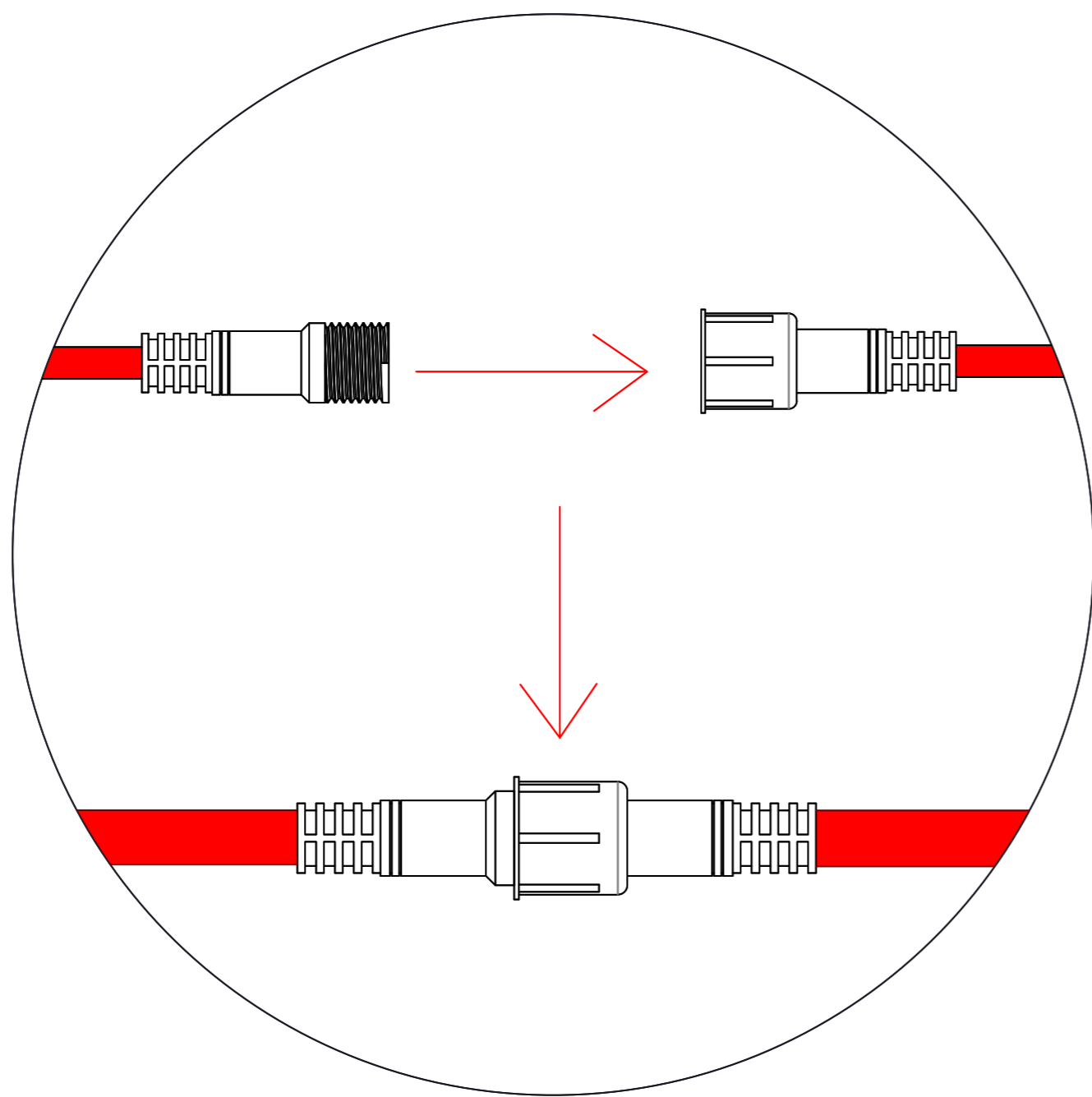
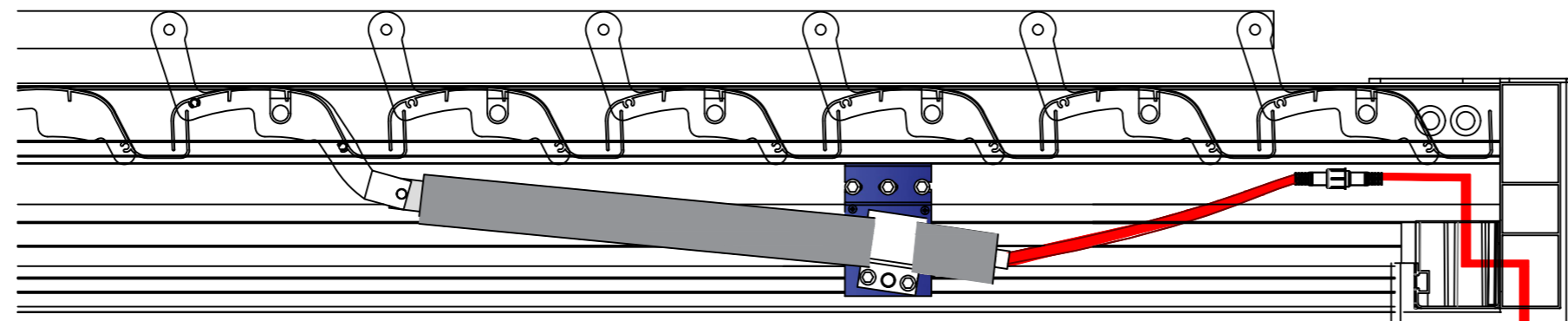


1B-30		1
1B-31		1





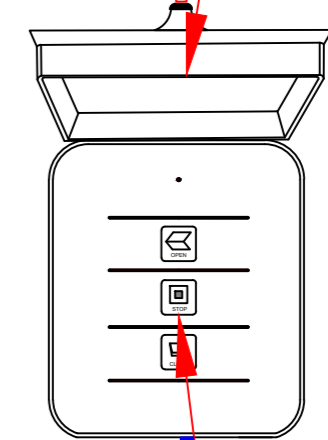
The control box is not on the post



Wires Diagram

Power in: 220V
Power Out To
Motor: DC24V

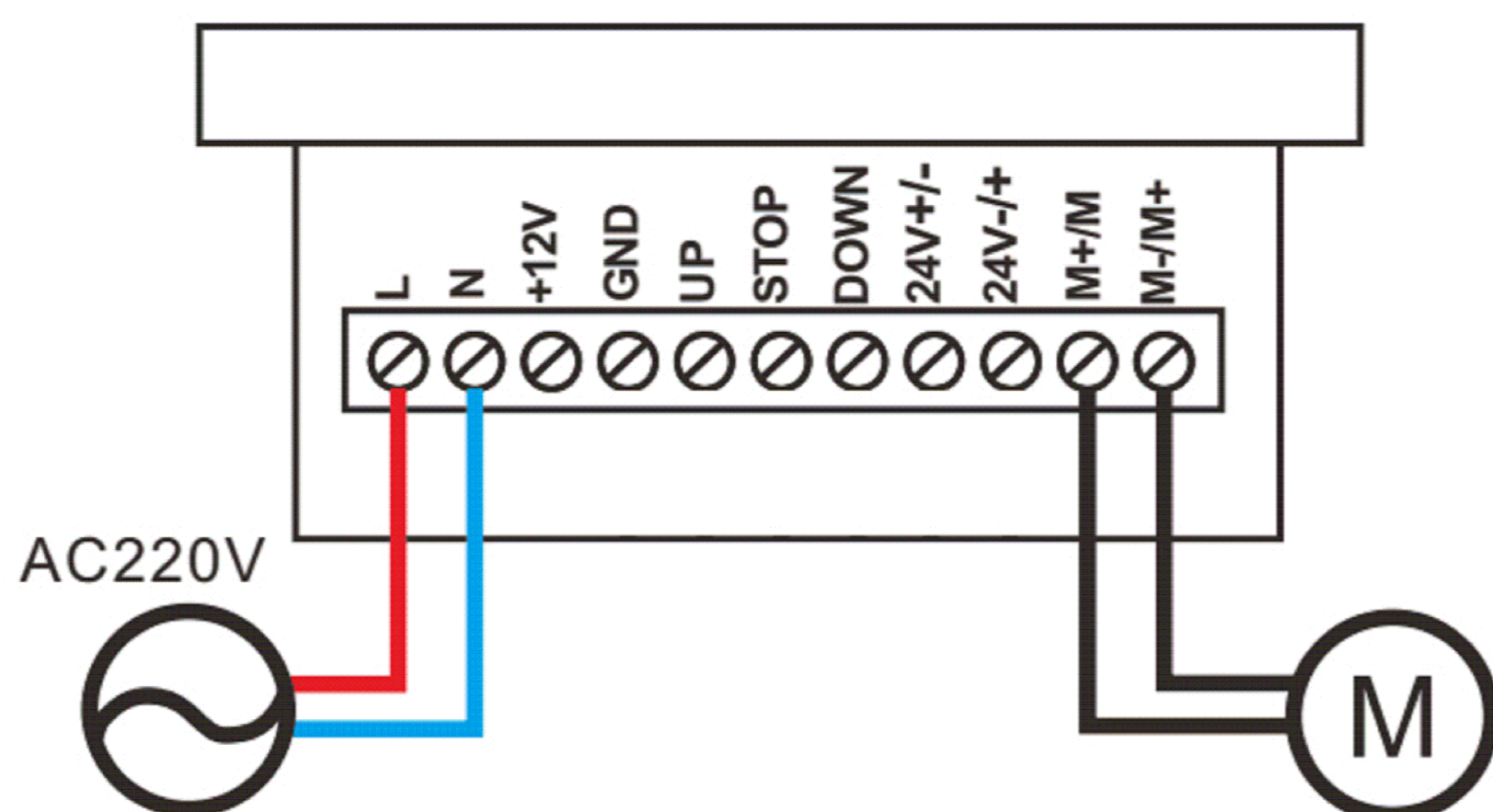
MOTOR
1B-31

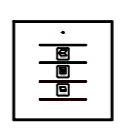

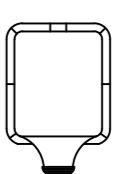


1B-30

AC 220V

E022
E012



1B-30	 	1
1B-31		1

