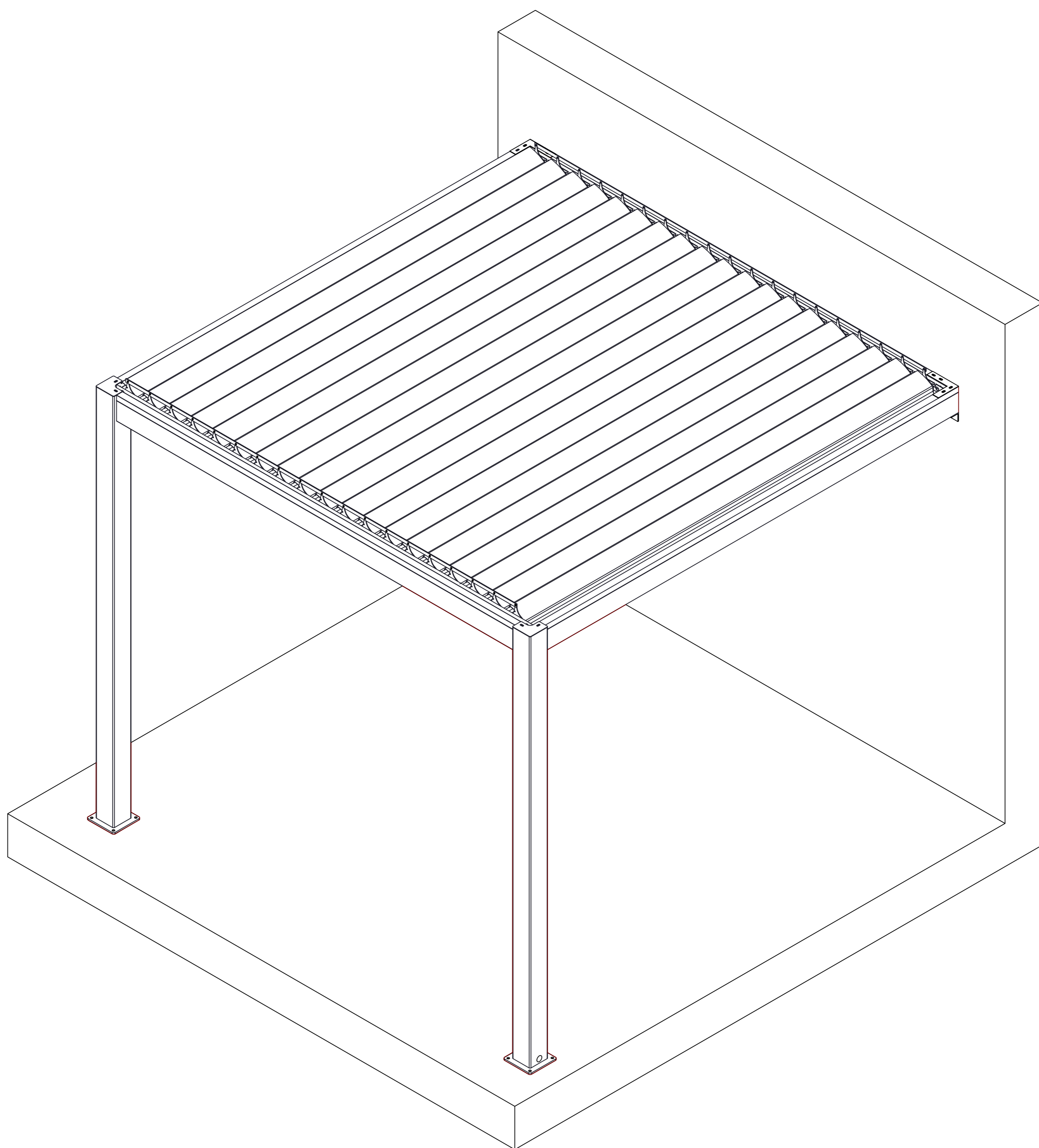
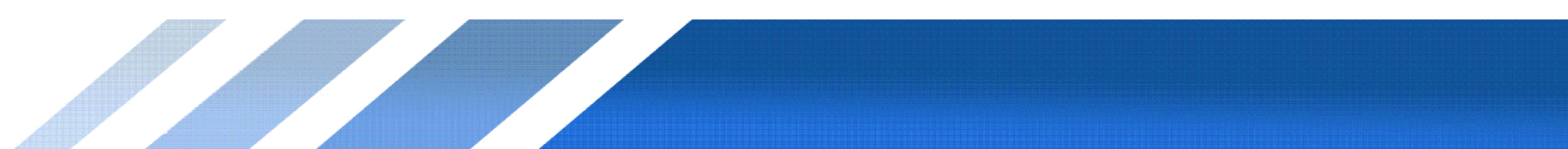
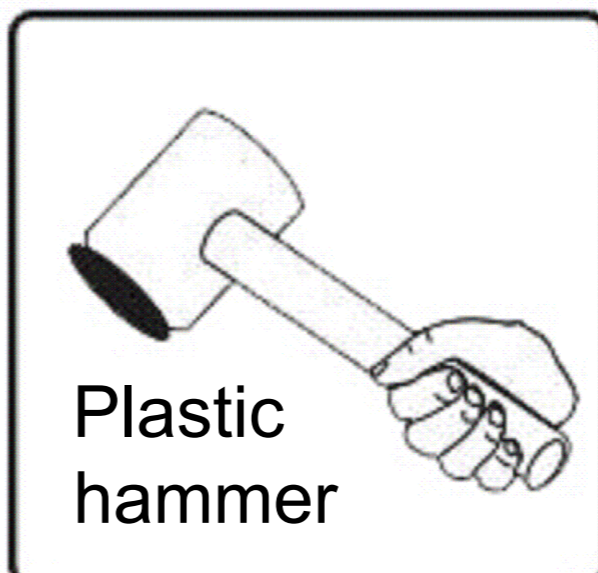
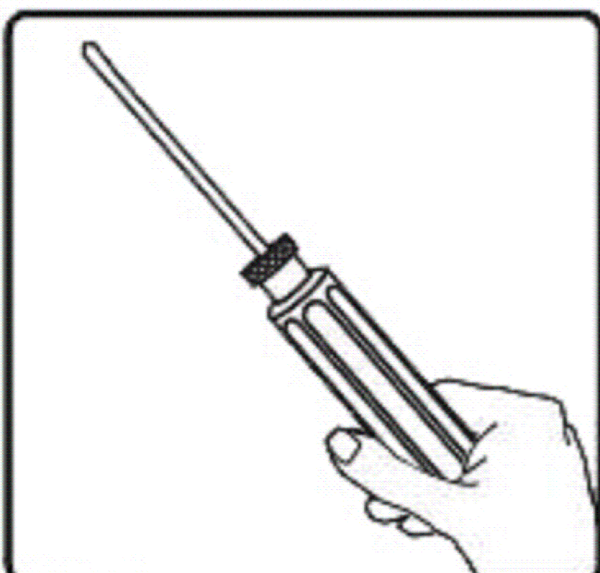
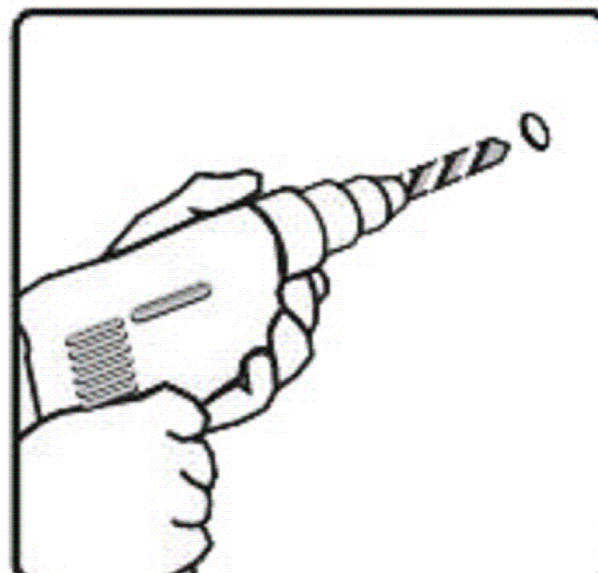
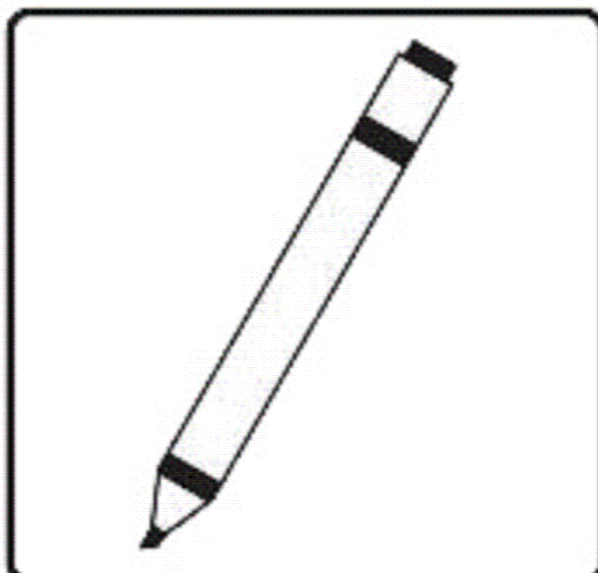
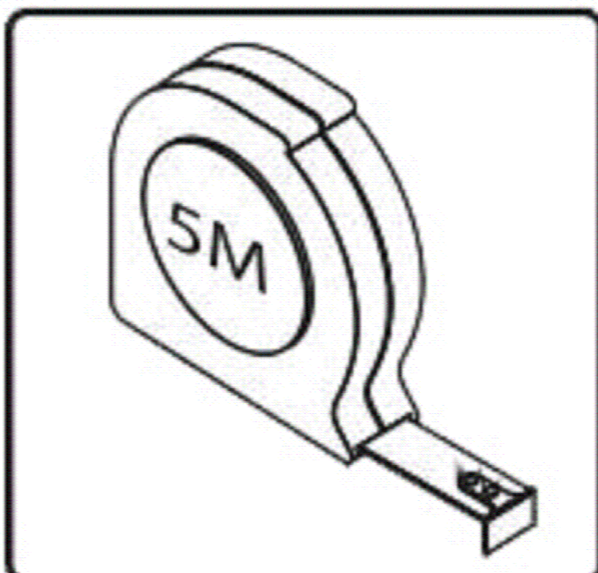
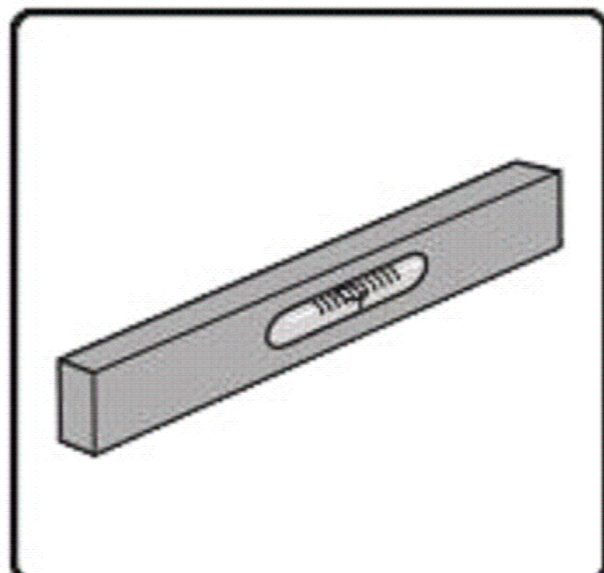
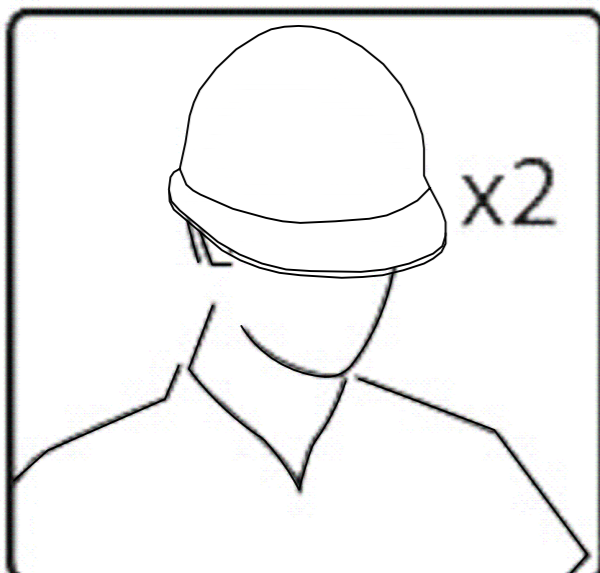
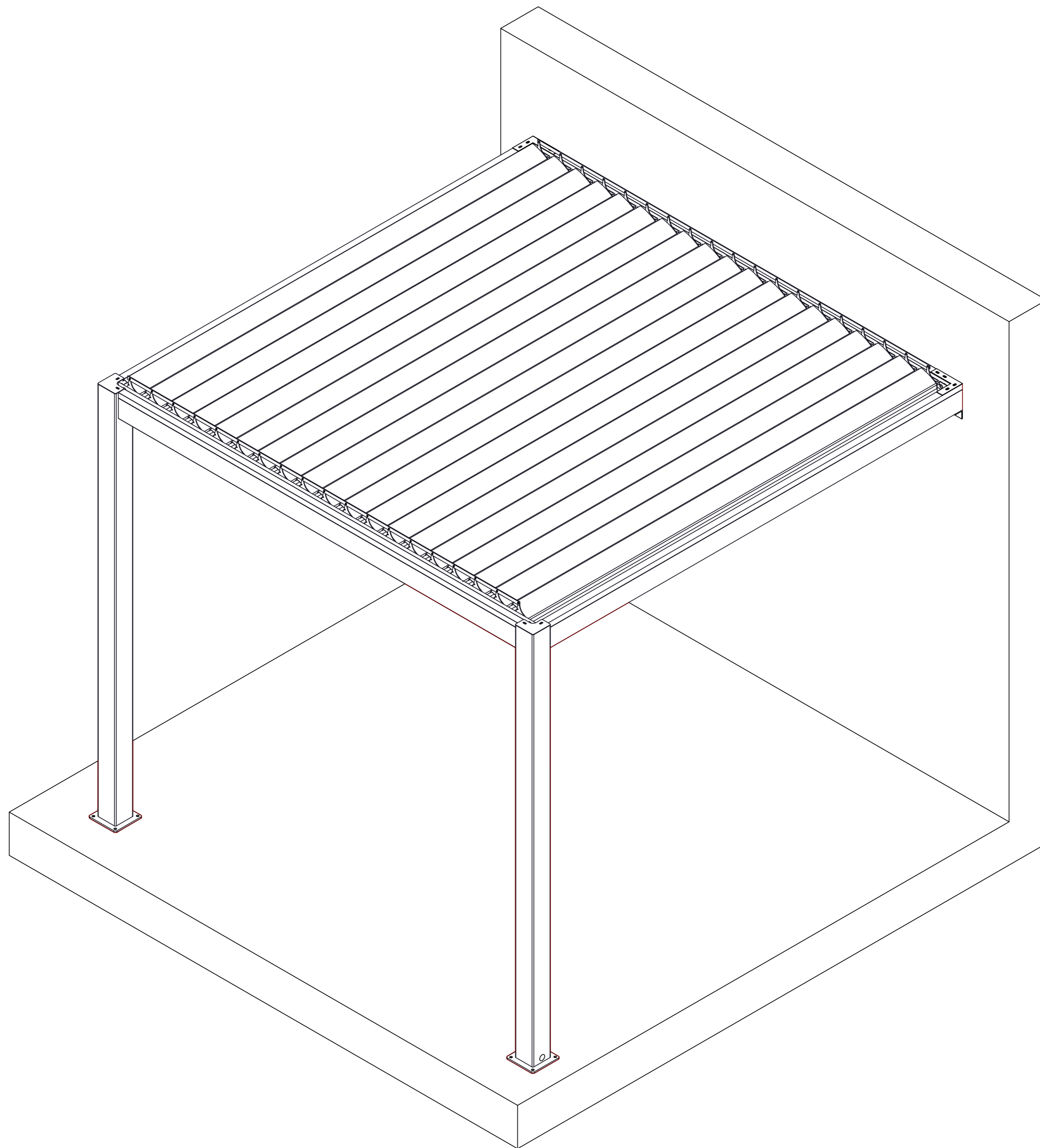




WALL MOUNTED PERGOLA GAZEBO 2 POSTS

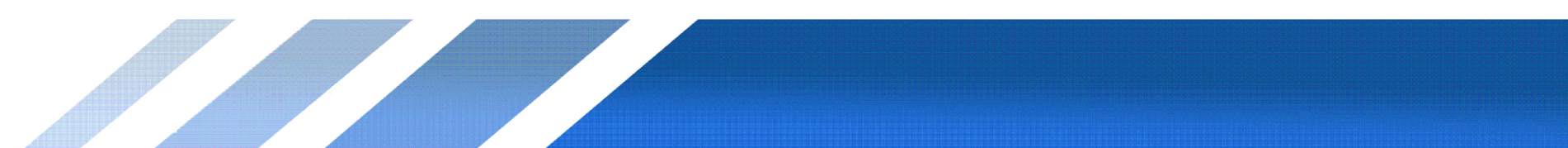
**ELECTRIC 3x3m**



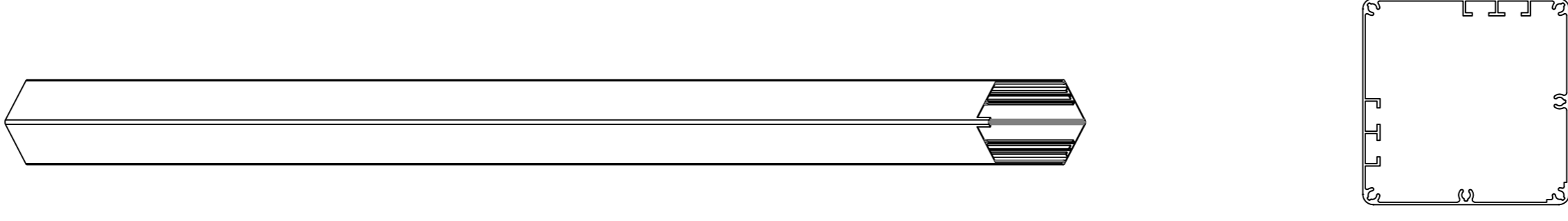
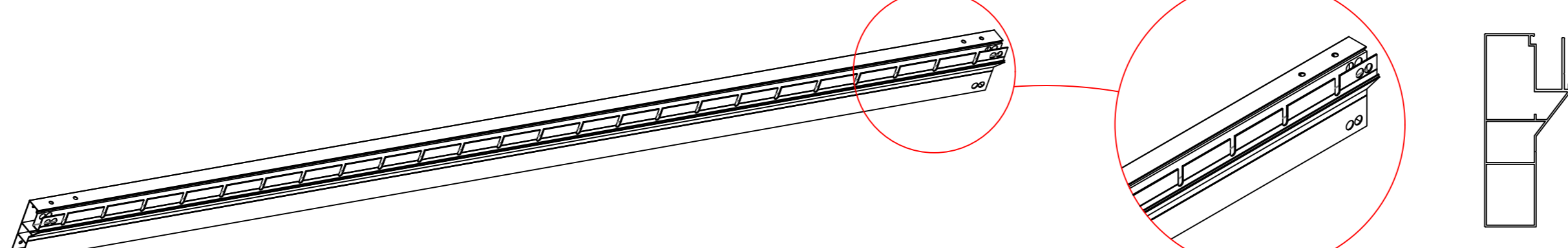
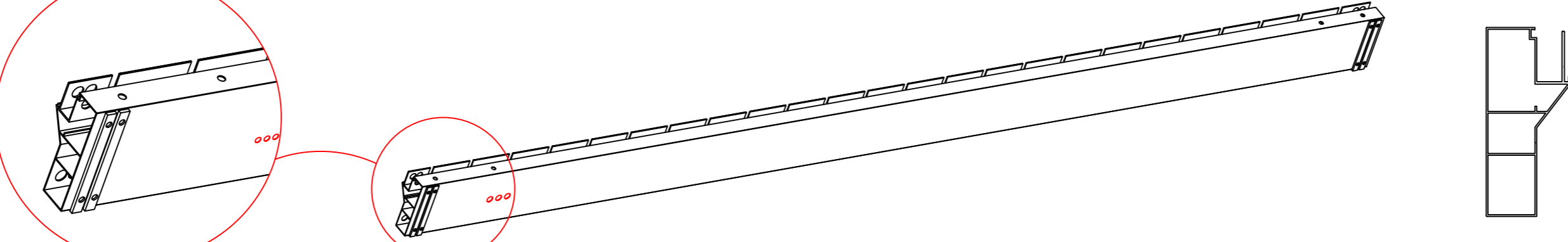
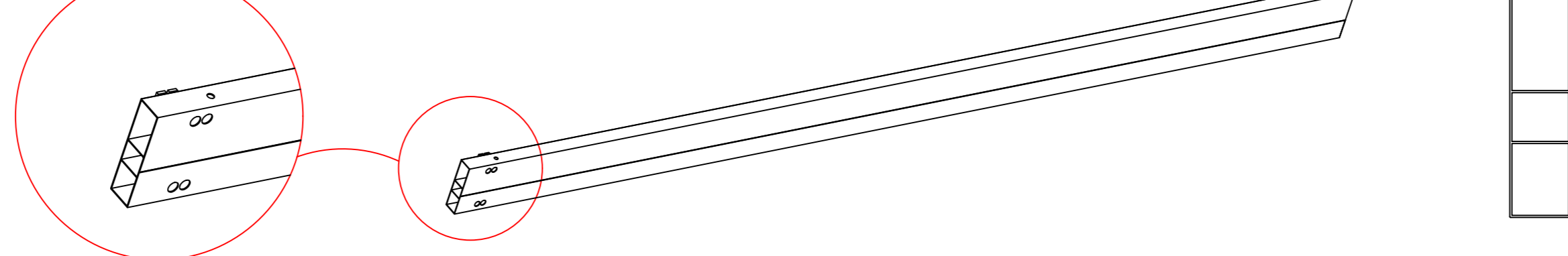

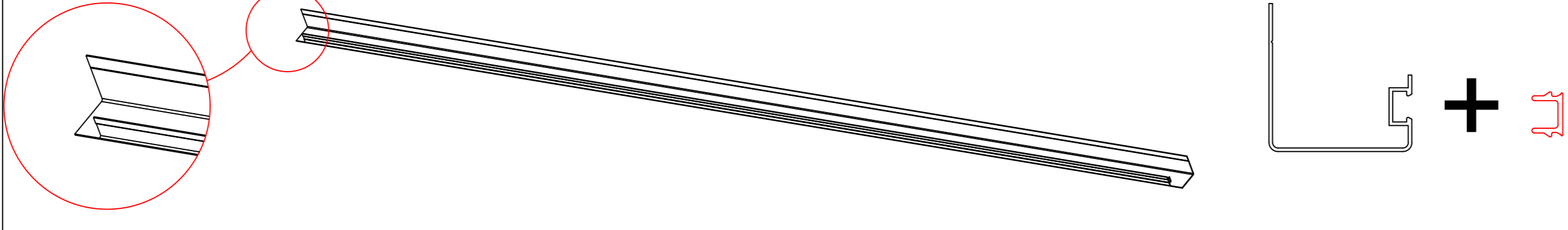
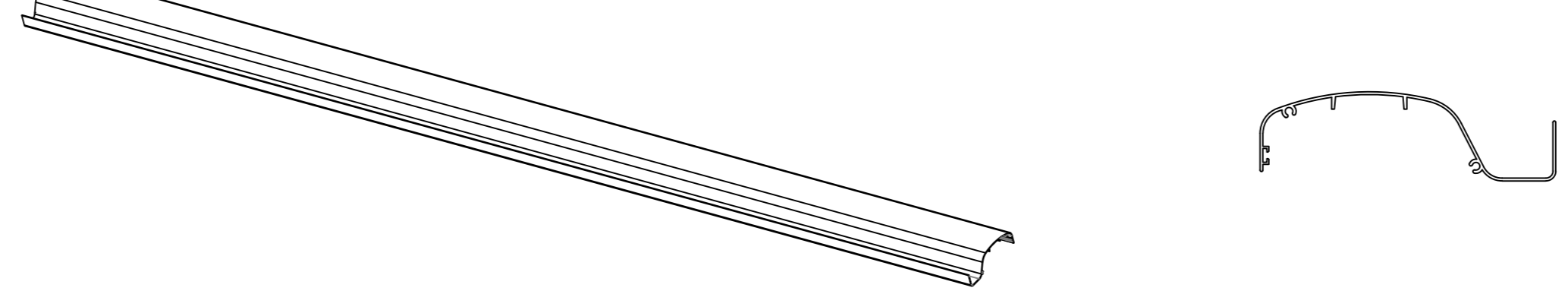
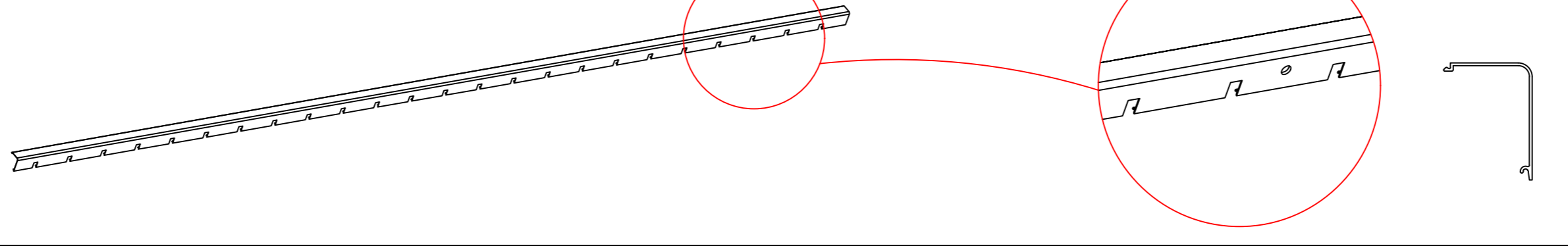
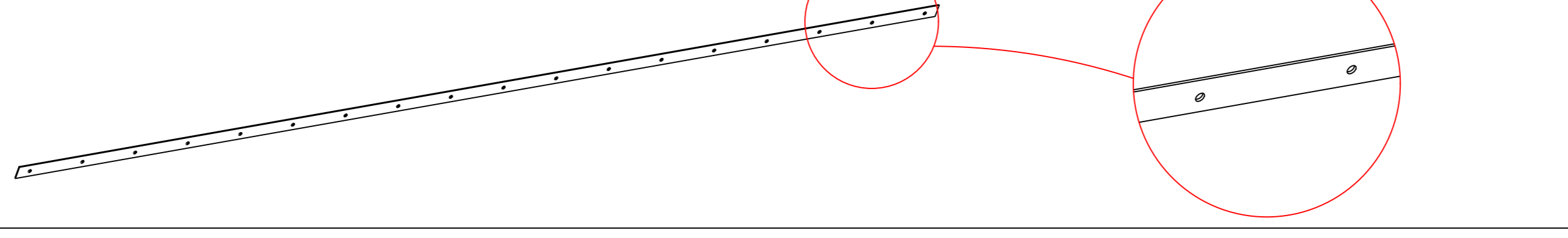
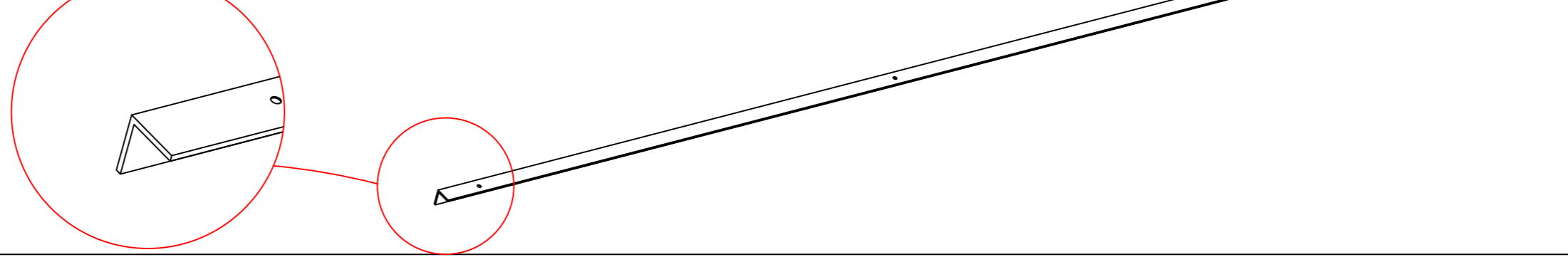
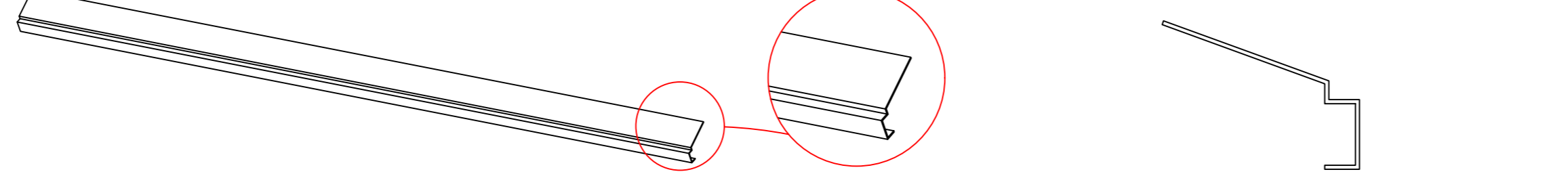




	Item	Qty	Item	Qty	Item	Qty
Carton 1/3	1B-01	2	1B-11	2	1B-51	96+
	1B-13	2	1B-14	1	1B-15	1
	1B-18	1	1B-19	12+	1B-20	48+
	1B-21	8	1B-22	12+	1B-23	26+
	1B-24	1	1B-36	8	1B-38	4
	1B-39	12+	1B-40	2	1B-41	2
	1B-42	8	1B-30	1	1B-31	1
	1B-48	23+	1B-49	24+	1B-50	1
	1B-12	2	1B-35	2	1B-64	1
Carton 2/3	1B-02	1	1B-03	1	1B-04	2
	1B-05/ 05B	4	1B-08	2	1B-09	2
	1B-34	1	1B-29	2		
Carton 3/3	1B-06	24				





Item	Drawings	Qty
1B-01		2
1B-02		1
1B-03		1
1B-04		2
1B-05		3
1B-05B		1
1B-06		24
1B-08		2
1B-09		2
1B-34		1
1B-29		2

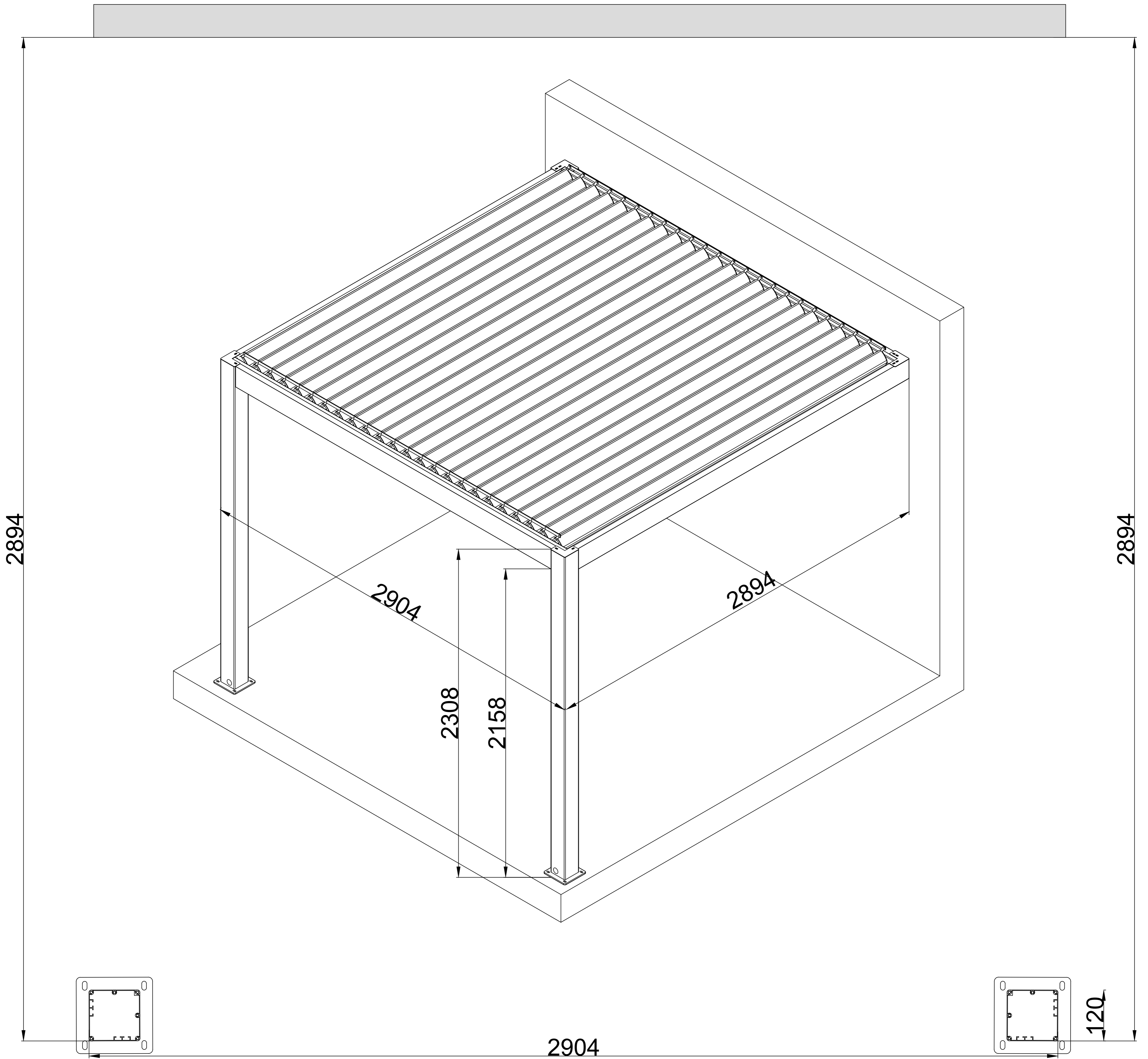




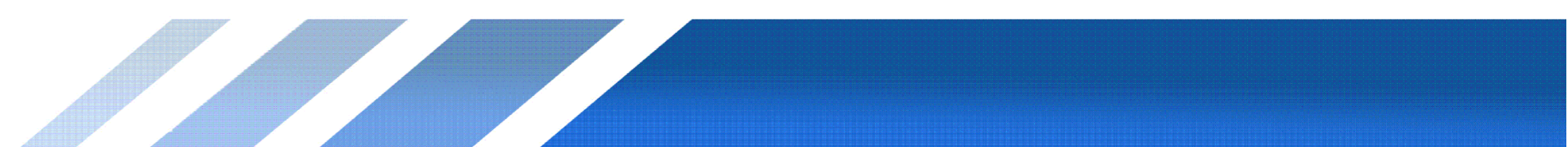
Item	Drawings	Qty
1B-11		2
1B-12		2
1B-13		2
1B-14		1
1B-15		1
1B-18		1
1B-19		12+
1B-20		48+
1B-21		8
1B-22		12+
1B-23		26+
1B-24		1
1B-35		2

Item	Drawings	Qty
1B-30		1
1B-31		1
1B-36		8
1B-39		12+
1B-38		4
1B-40		2
1B-41		2
1B-42		8
1B-48		23+
1B-49		24+
1B-50		1
1B-51		96+
1B-64		1



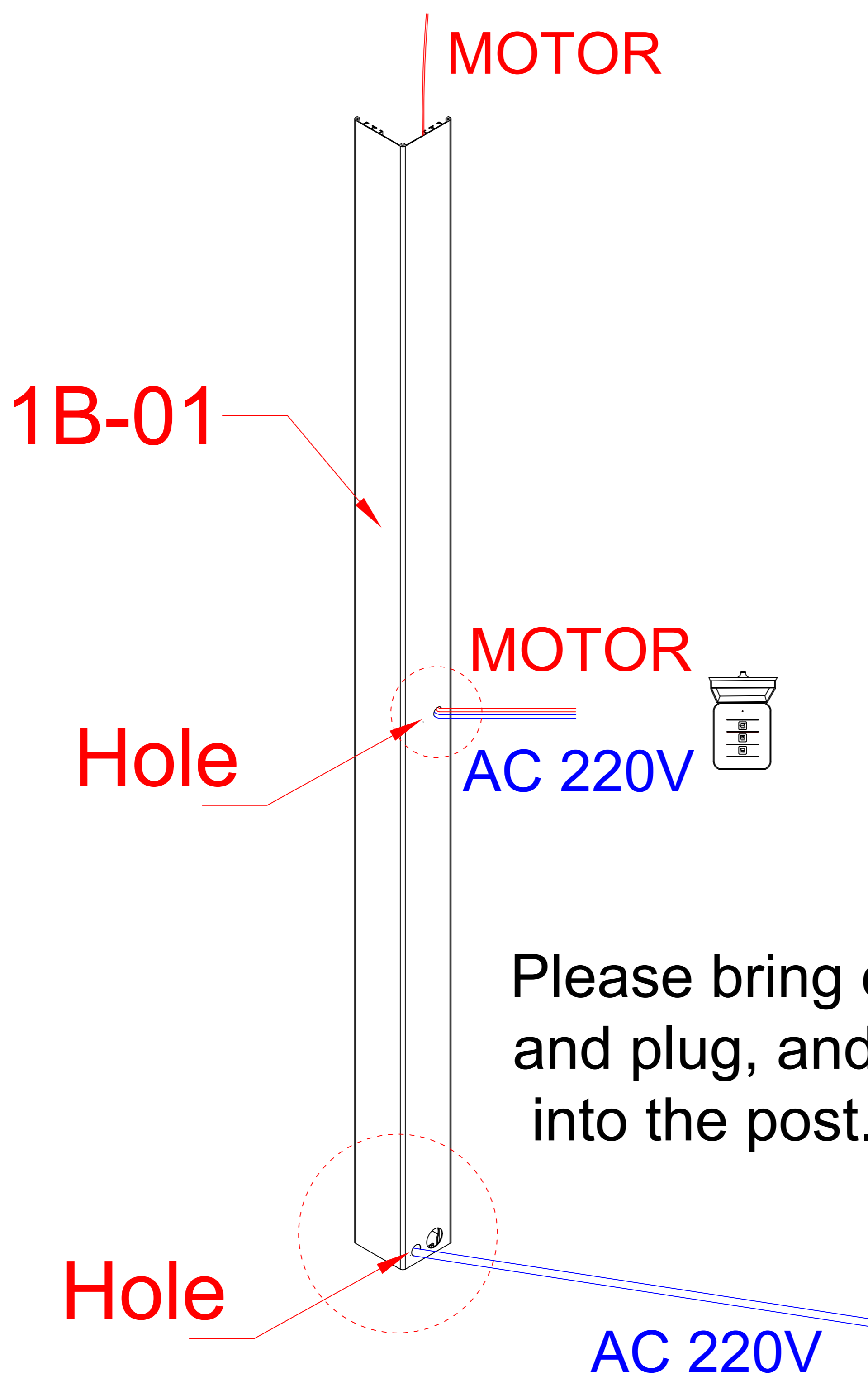
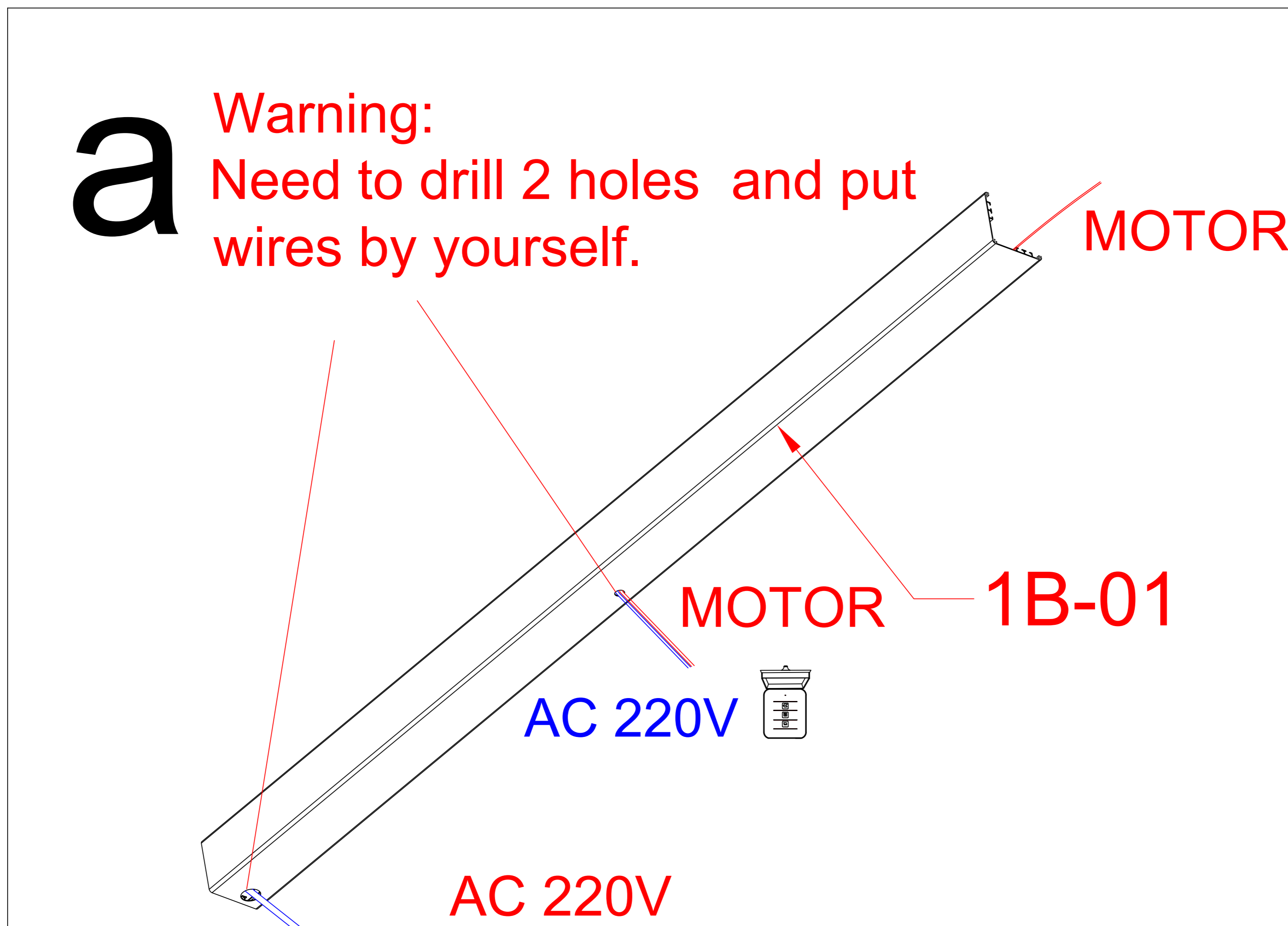


**Warning :**  
In Snow / Wind season or in case of  
snow / wind forecast open up your  
shutters in vertical position to avoid  
any damaging on your pergola.

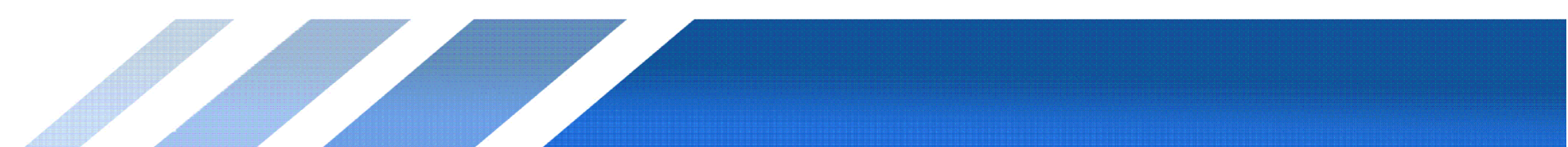




# Motor Wires Diagram - The control box is on the post

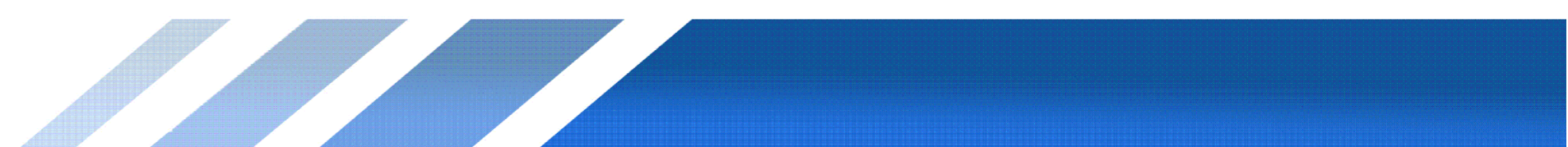
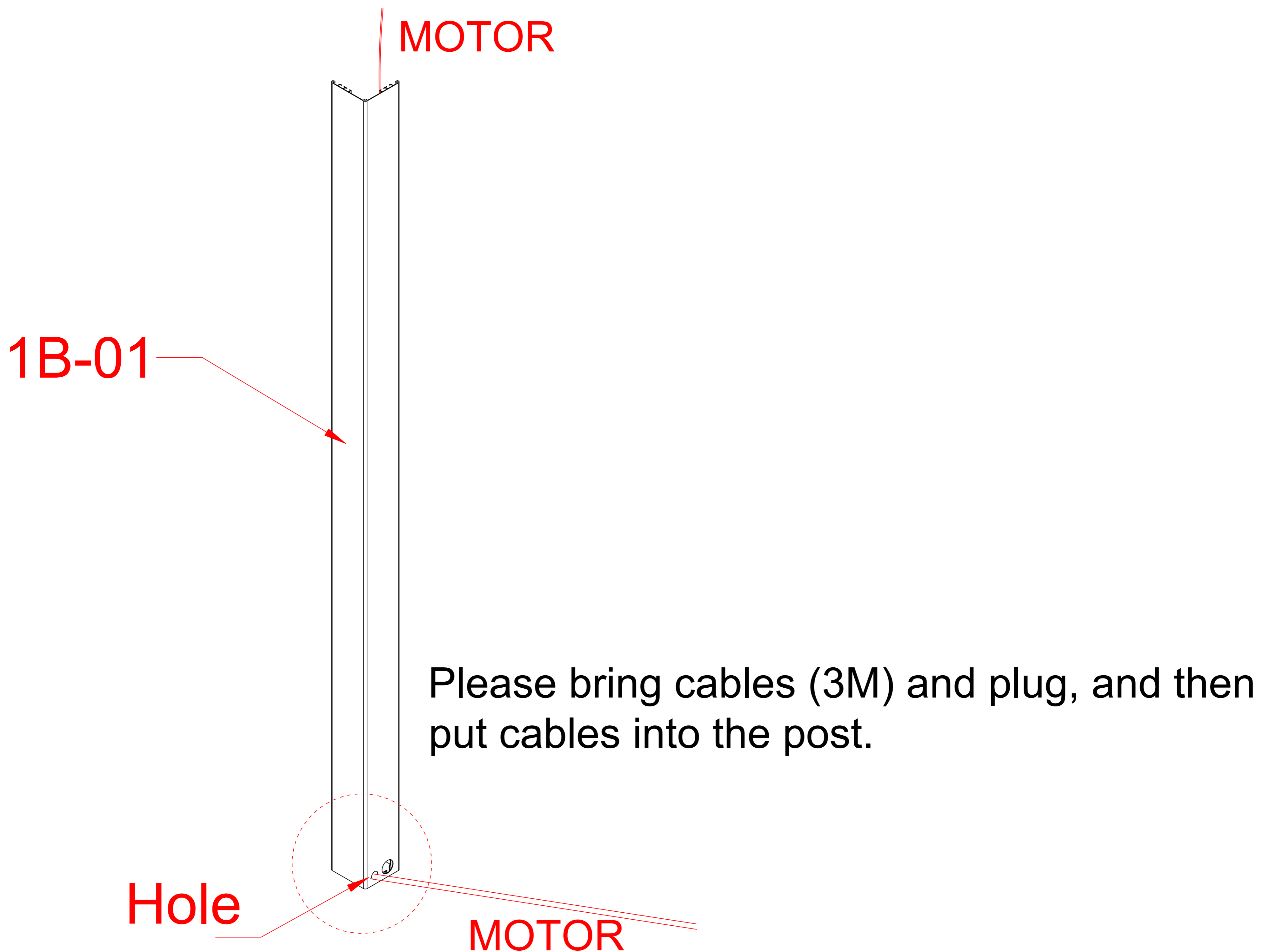
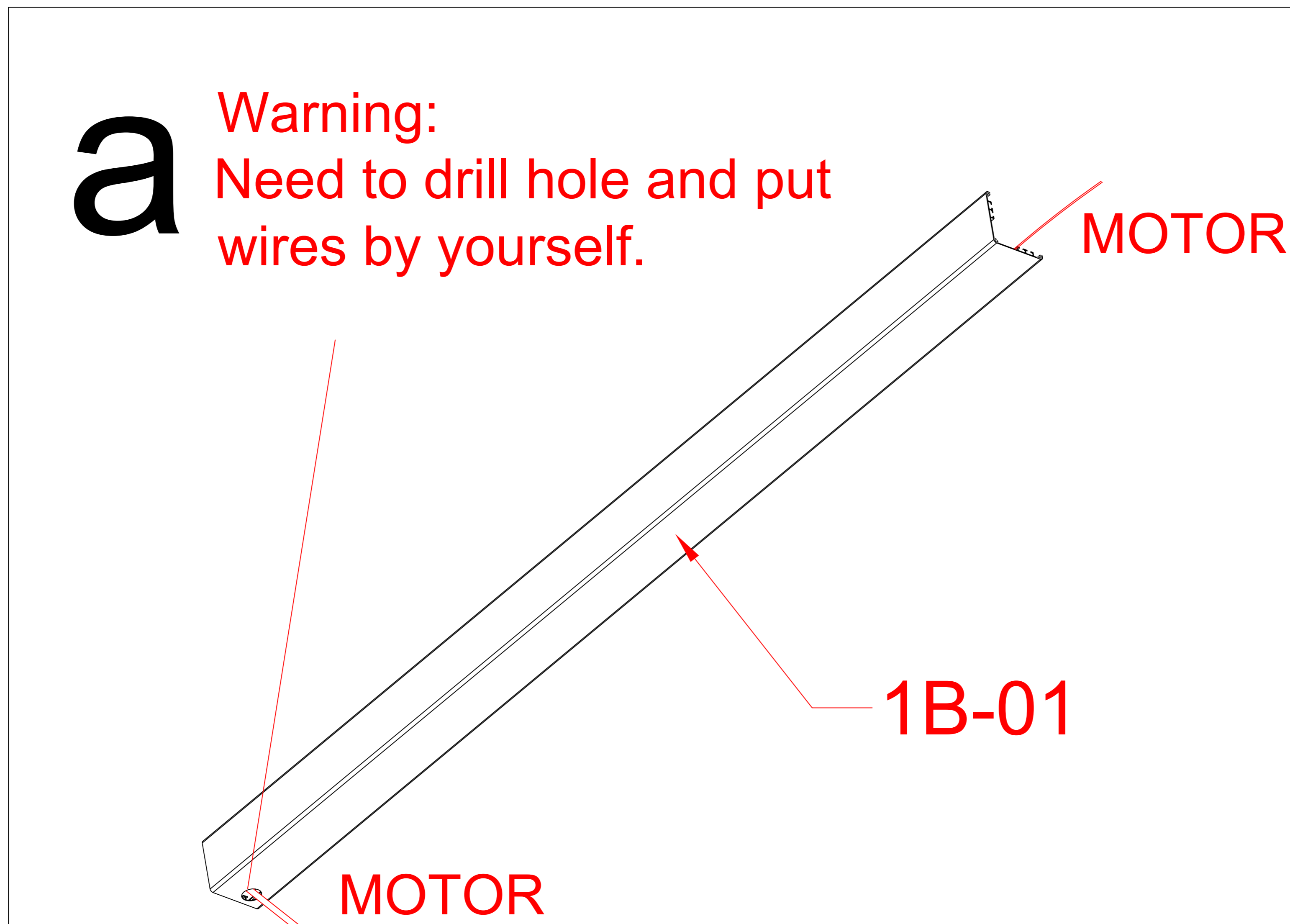


Please bring cables (1.5M), power cords (1.5M) and plug, and then put cables and power cords into the post.

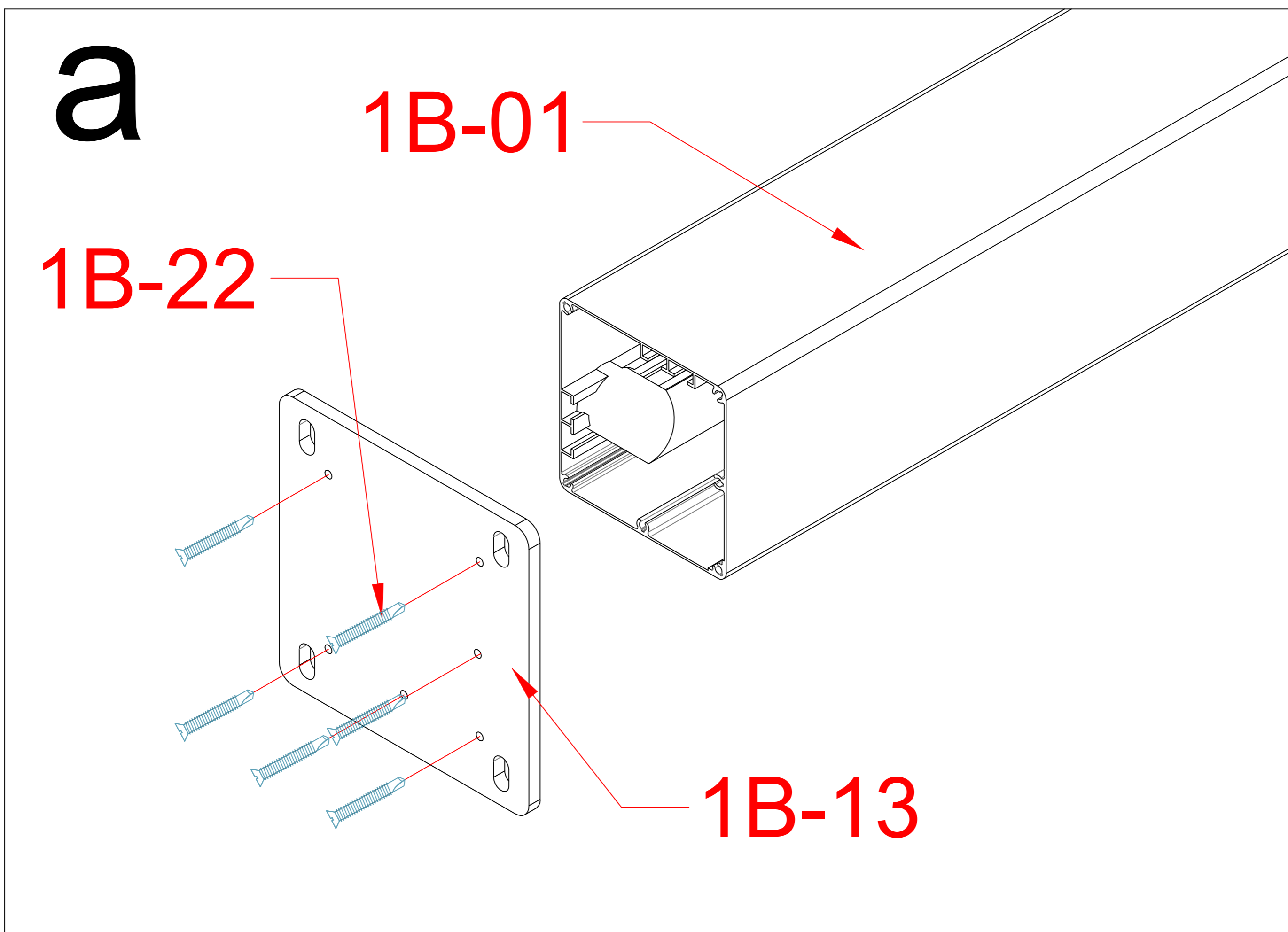




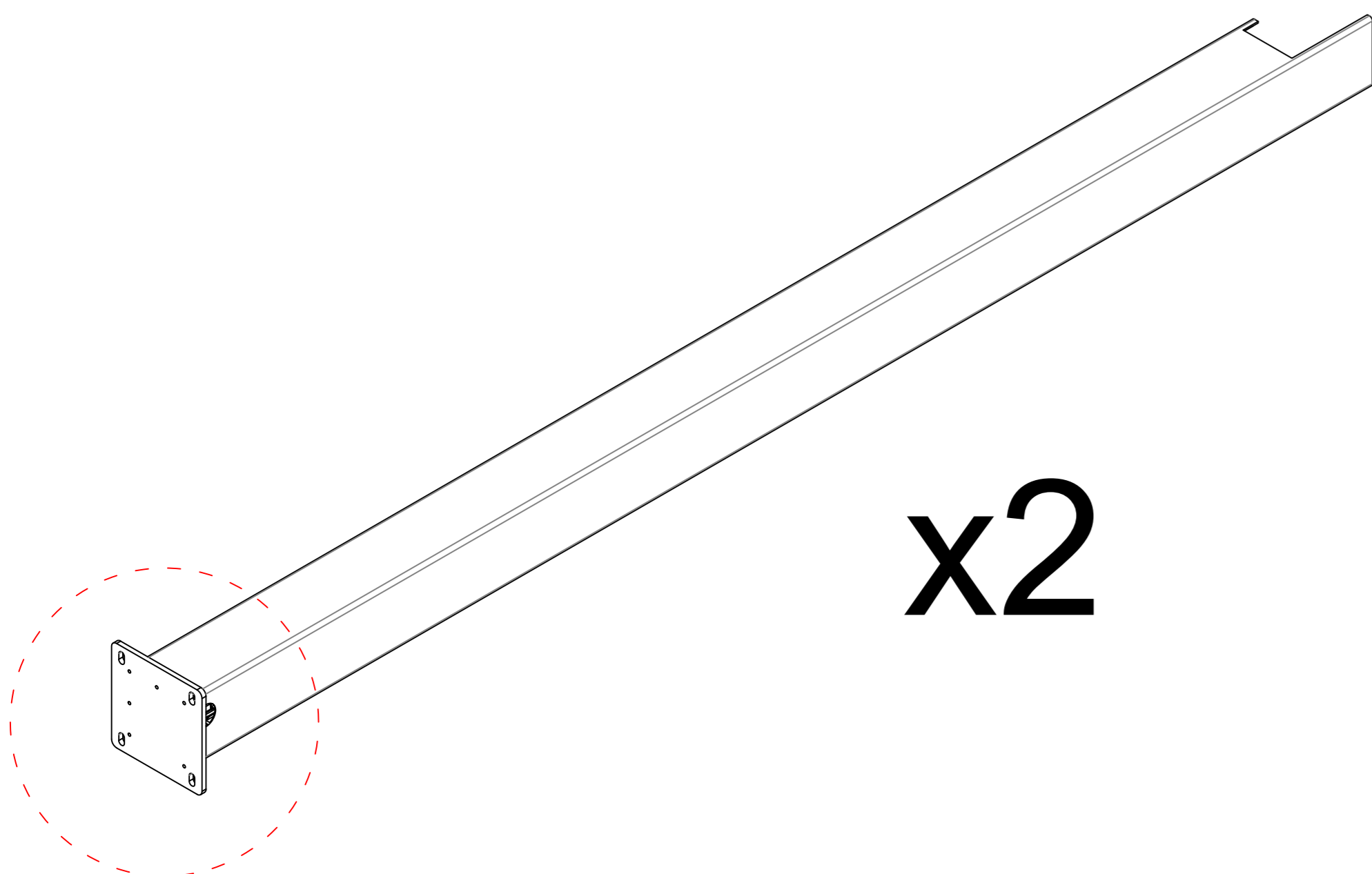
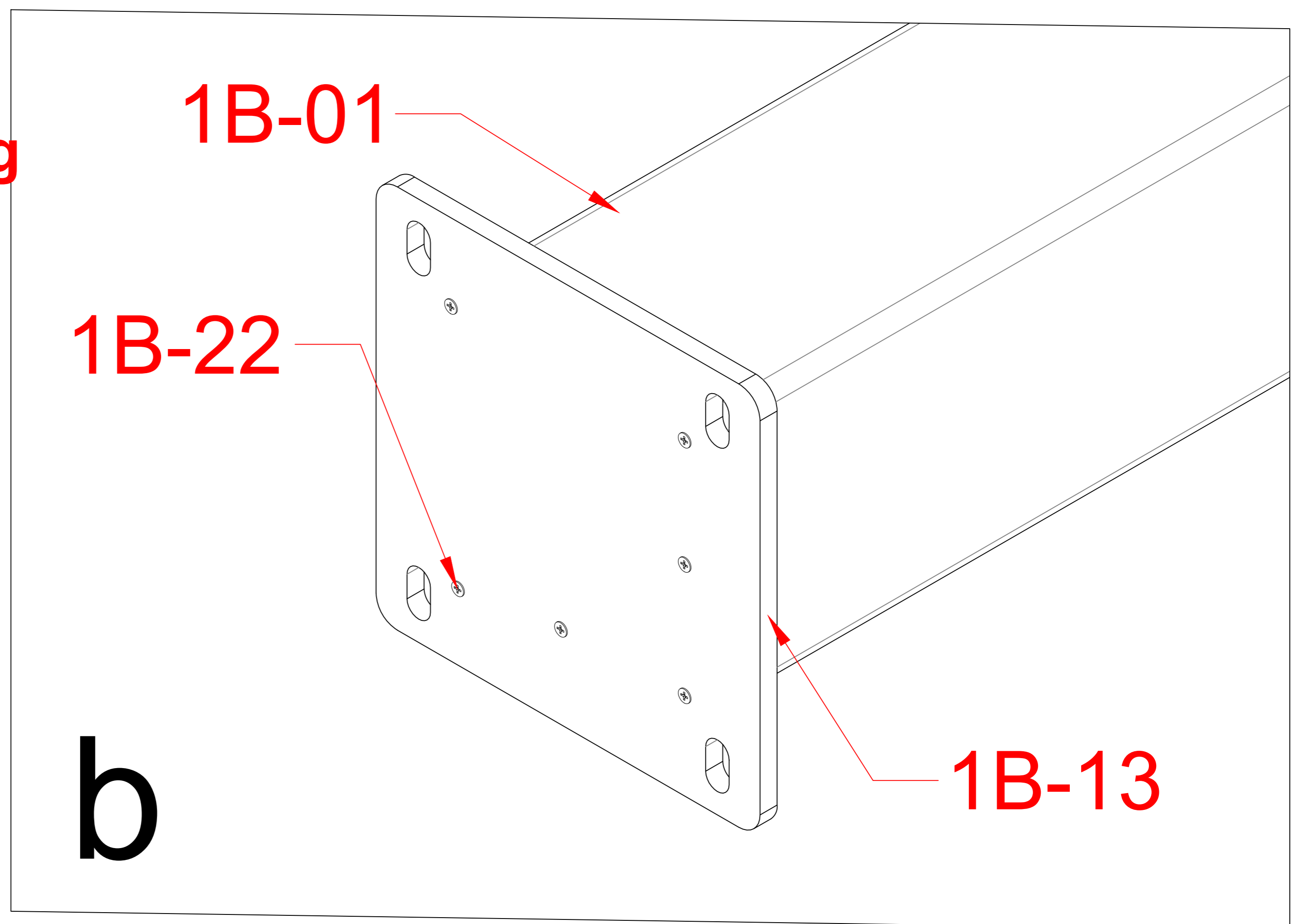
# Motor Wires Diagram - The control box is not on the post

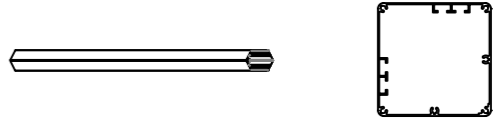
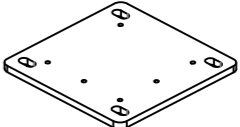
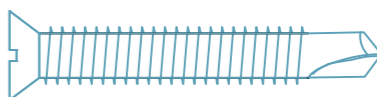


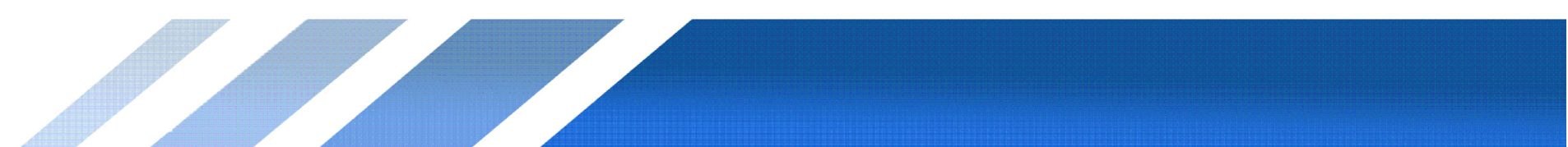


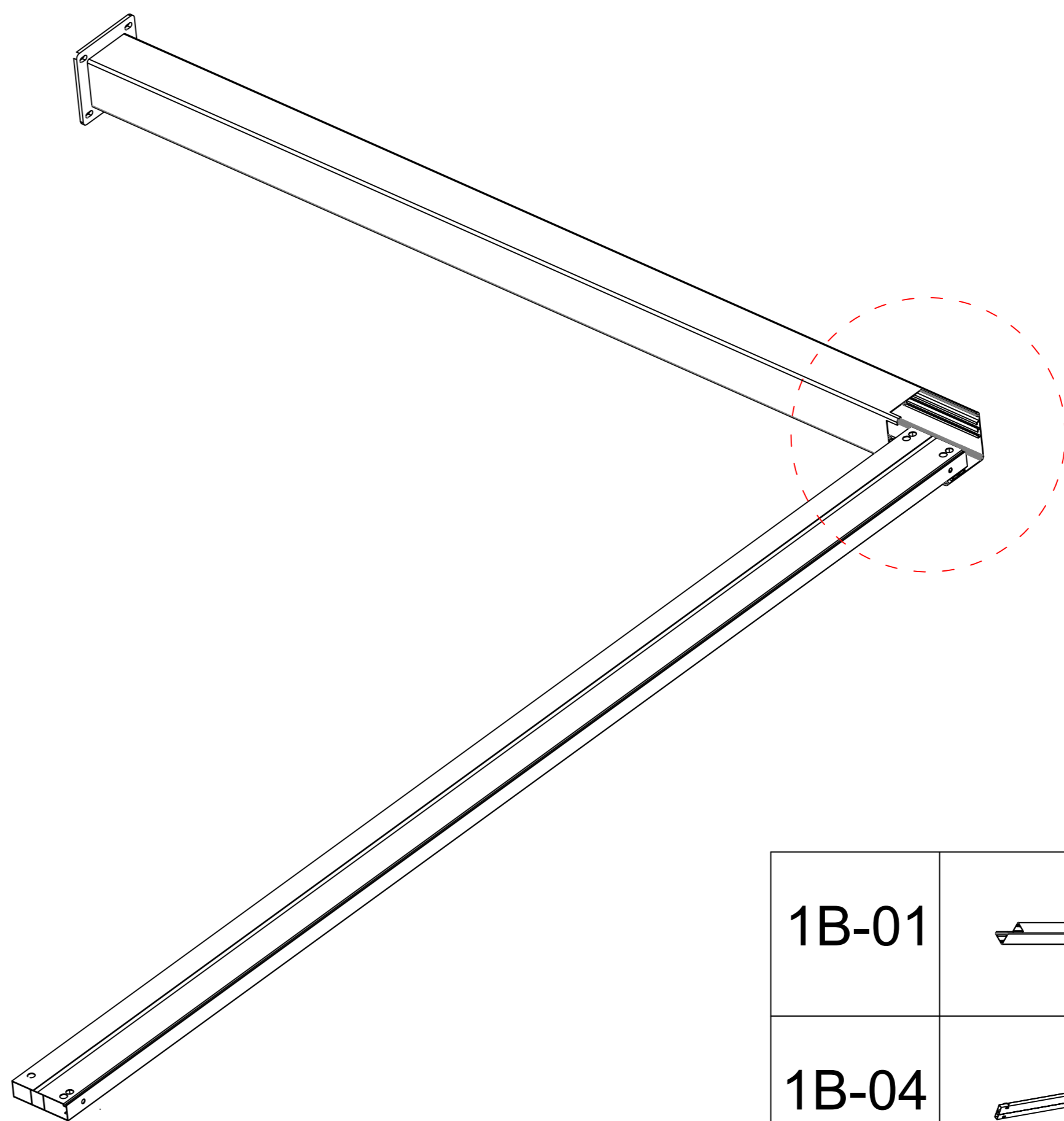
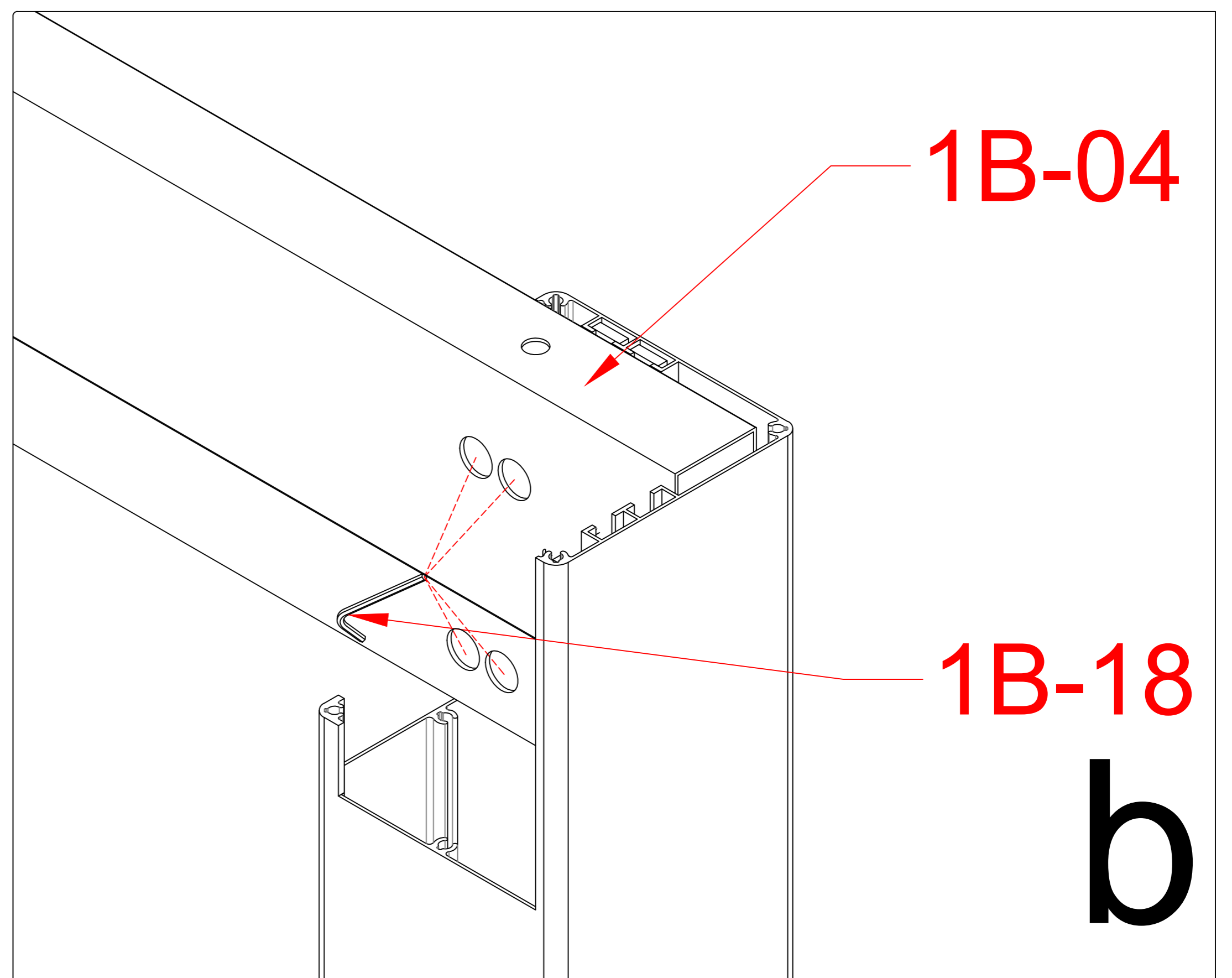
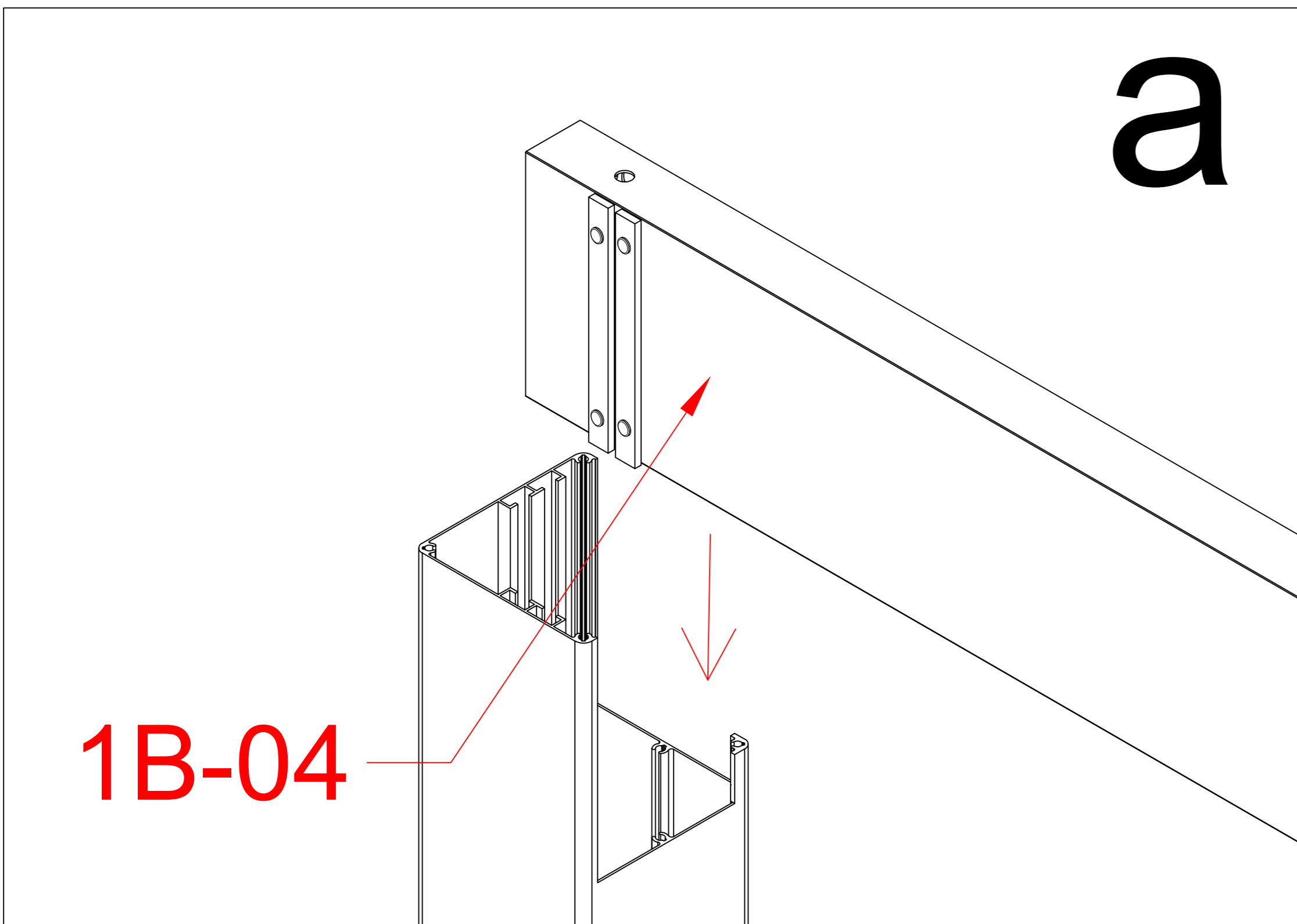


**If there are electrical components including motor, blinds or LED light, Set the wire through the post firstly, otherwise it would be very difficult to do so after pergola was assembled.**

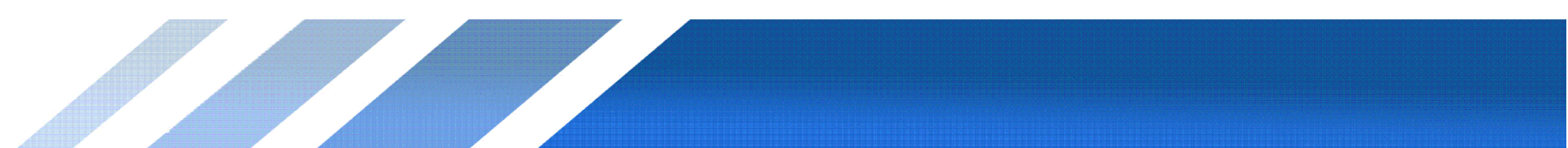


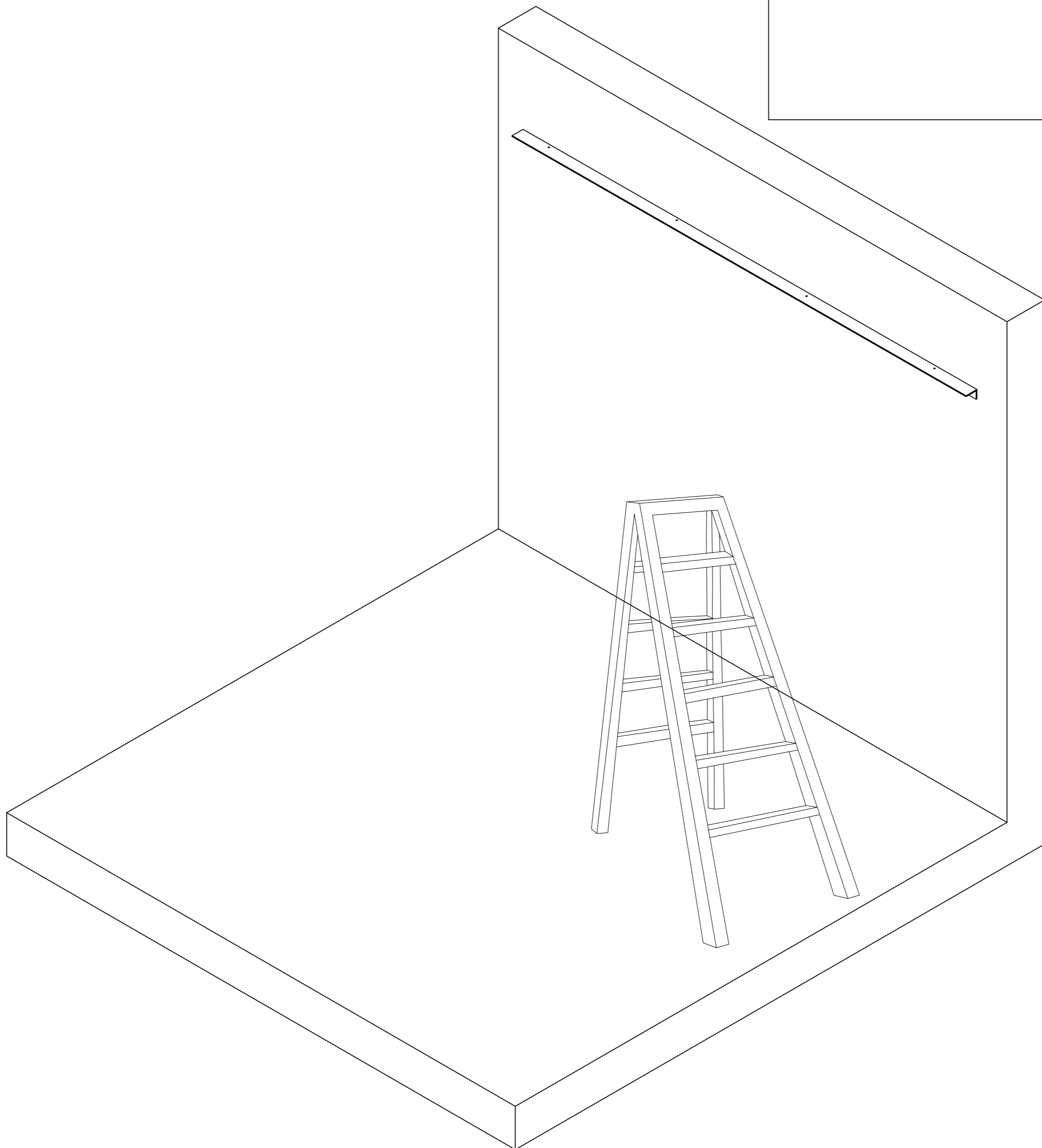
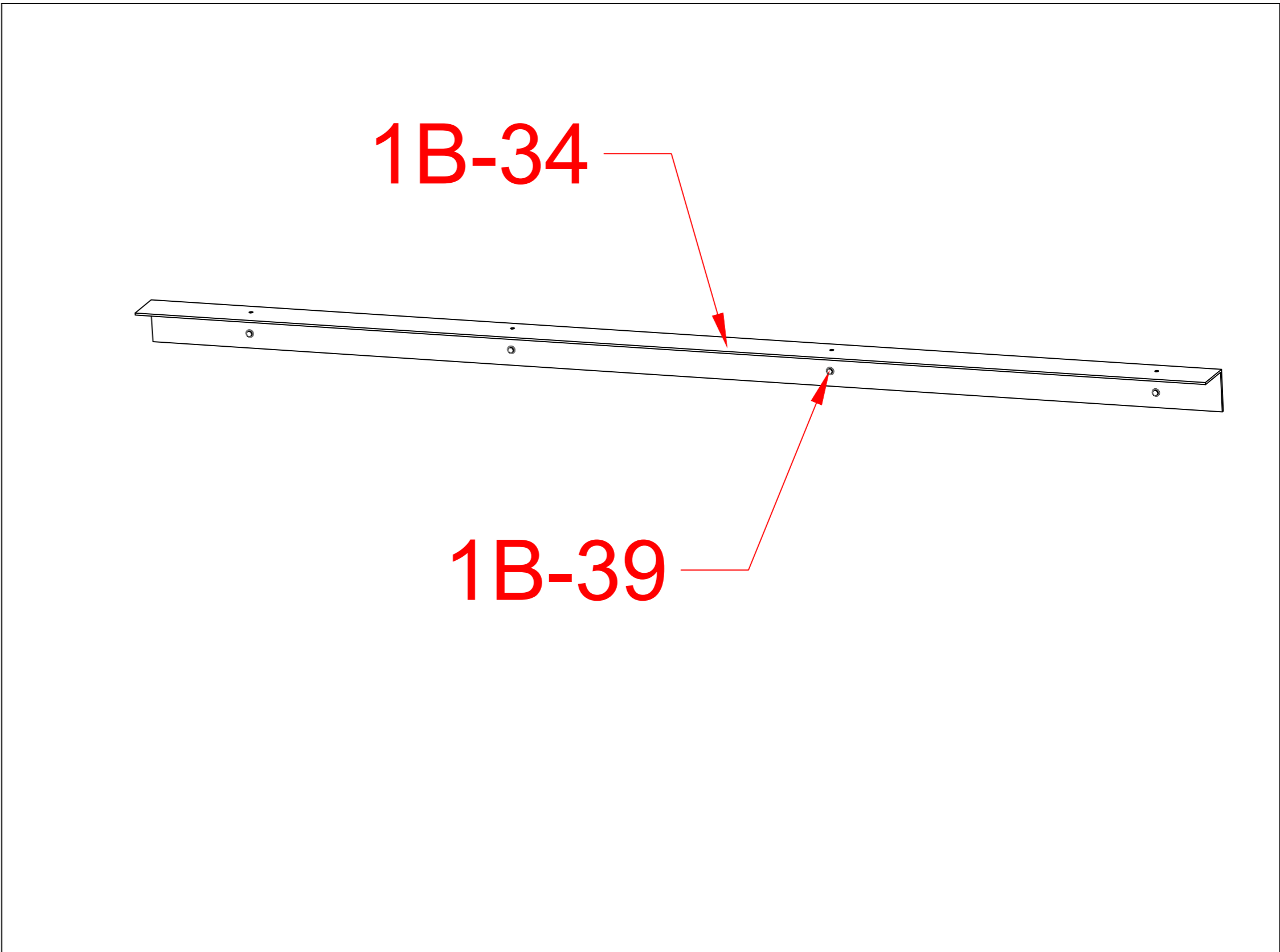
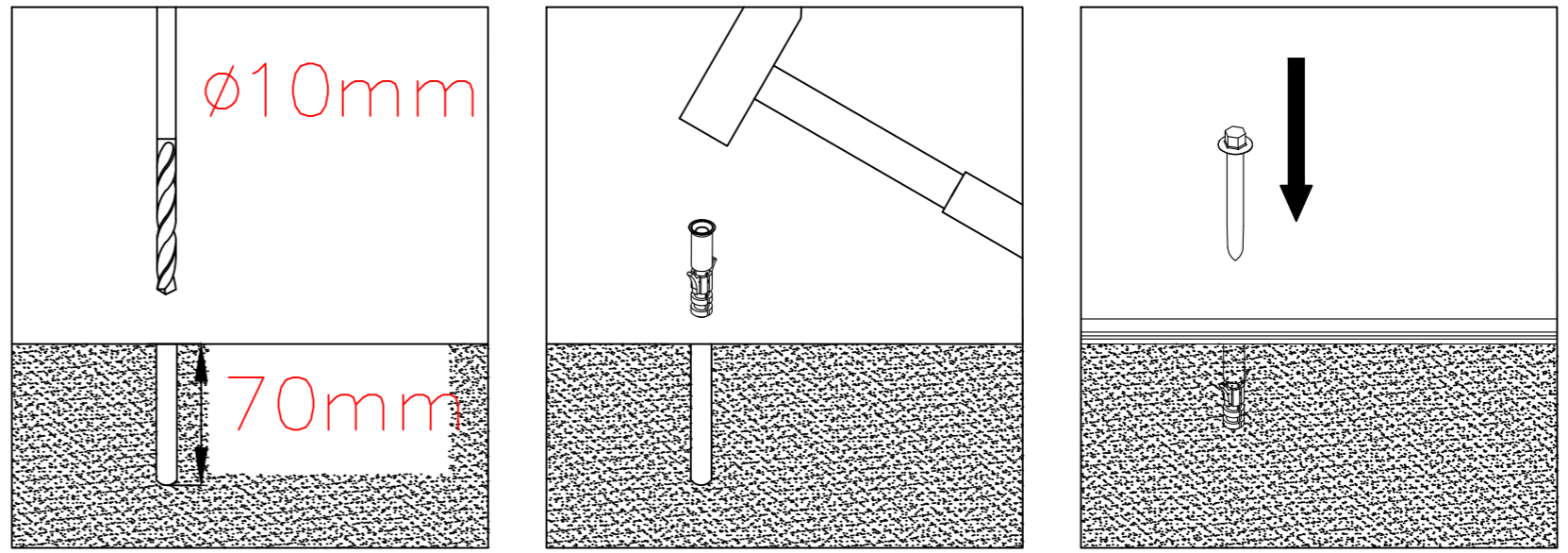
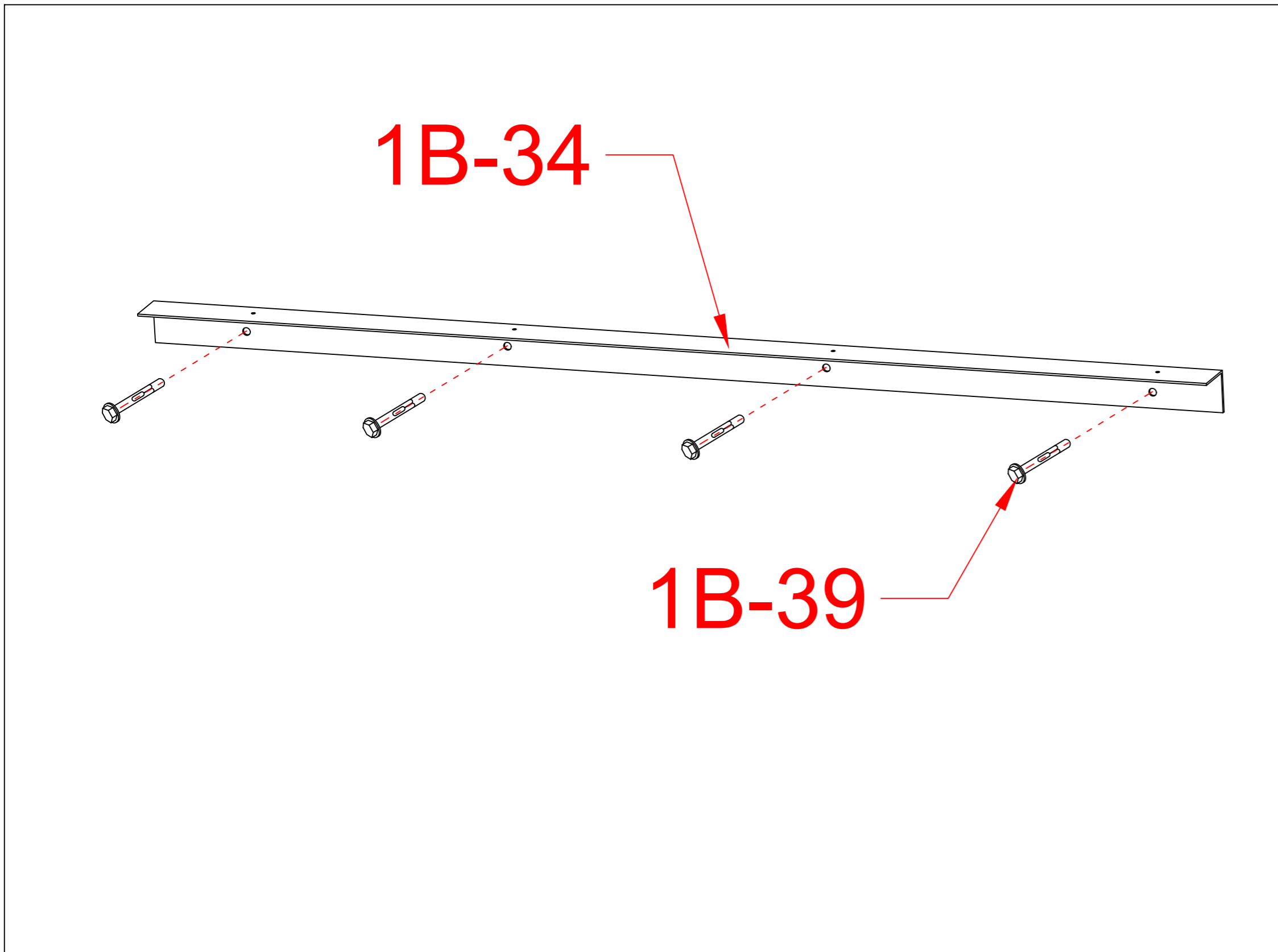
1B-01		2
1B-13		2
1B-22		12



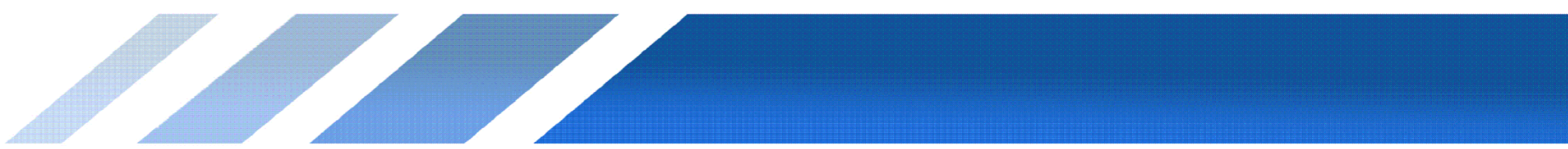


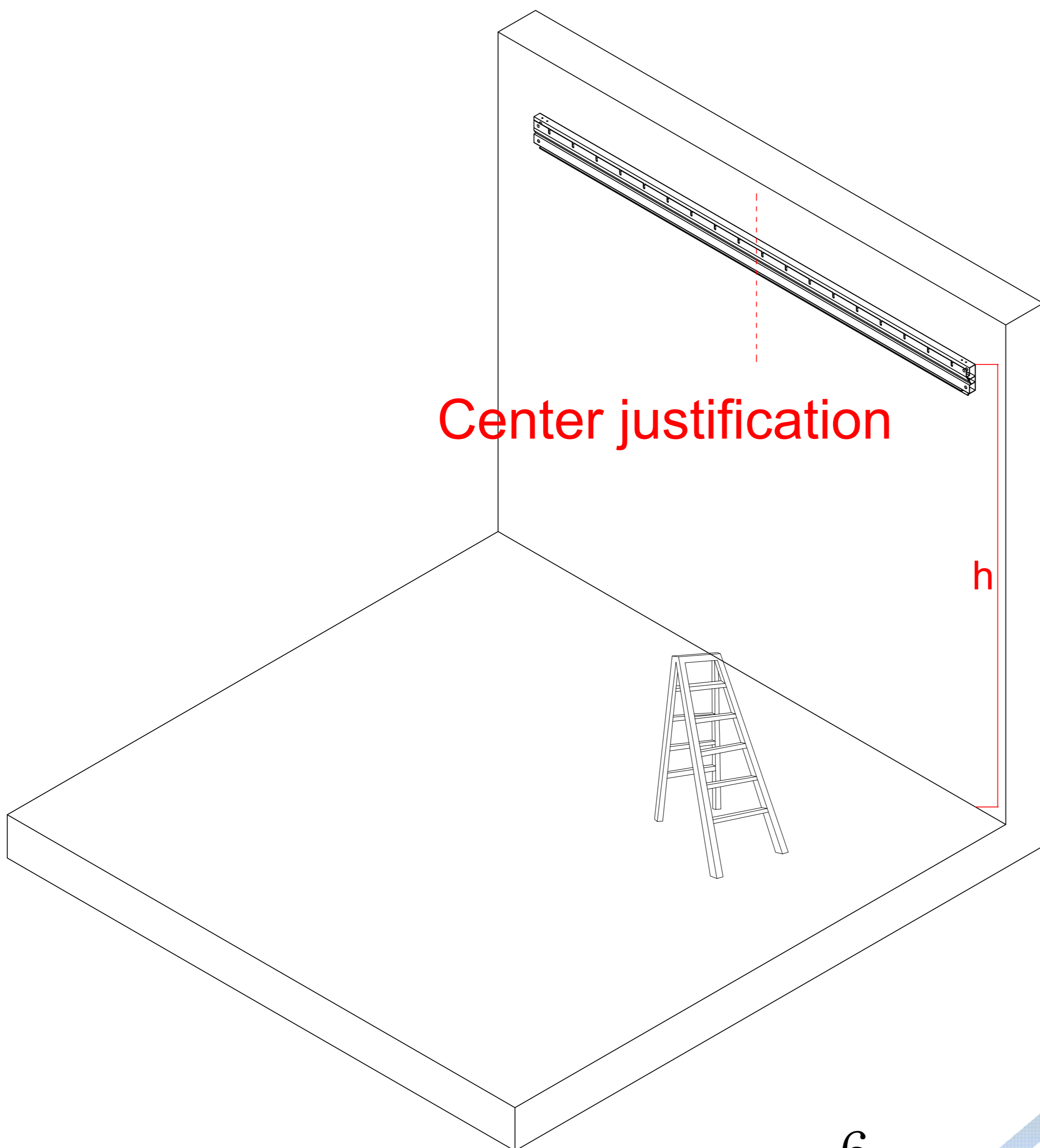
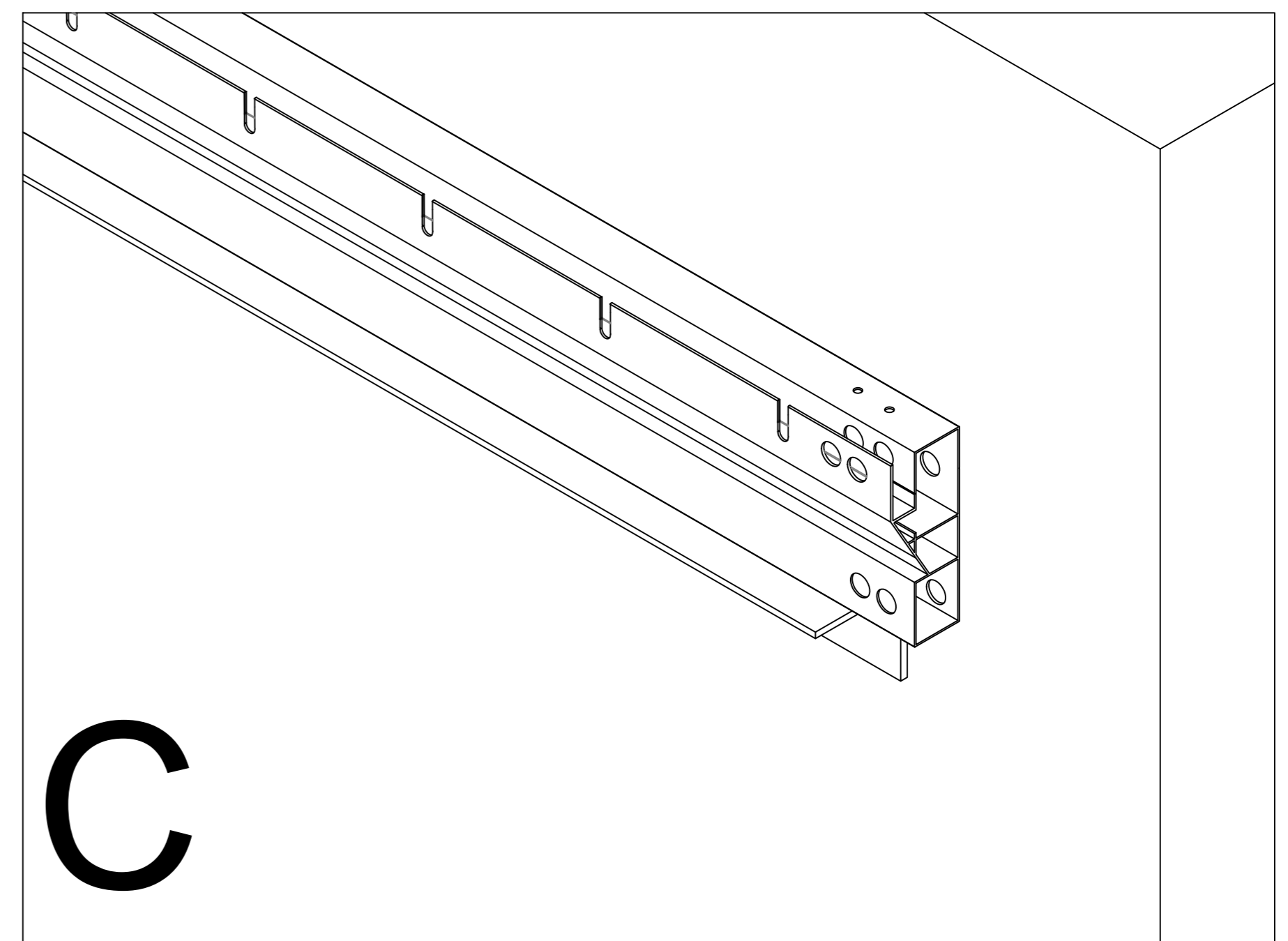
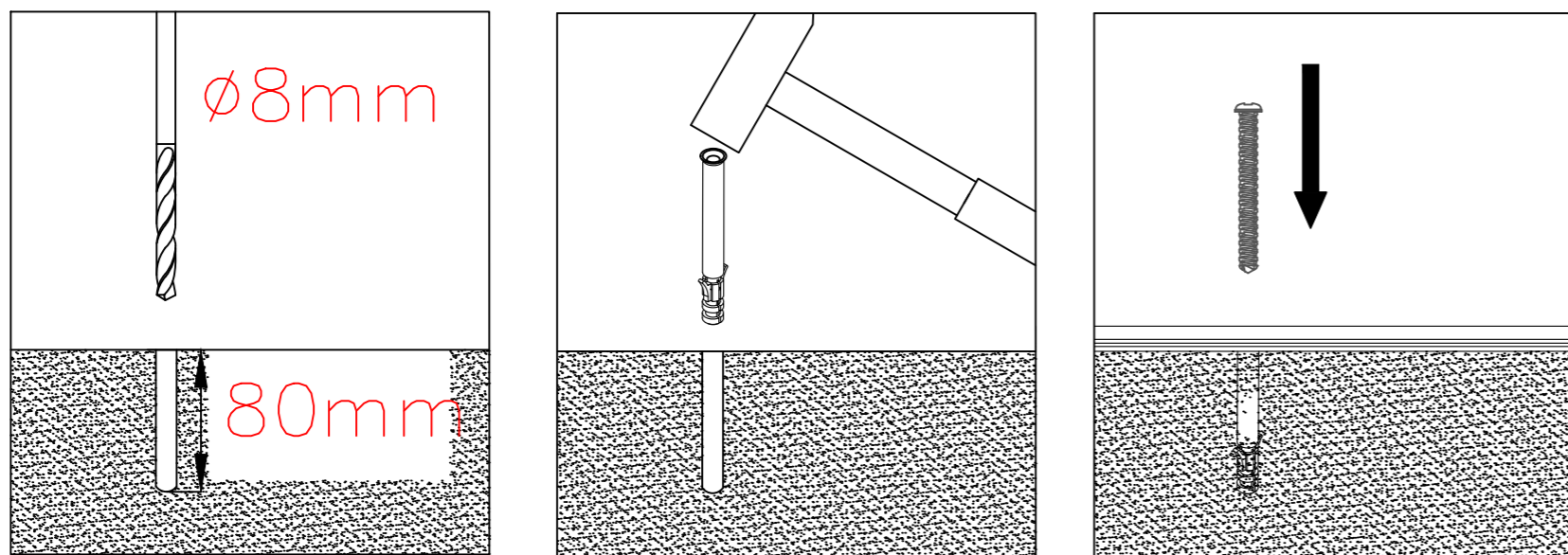
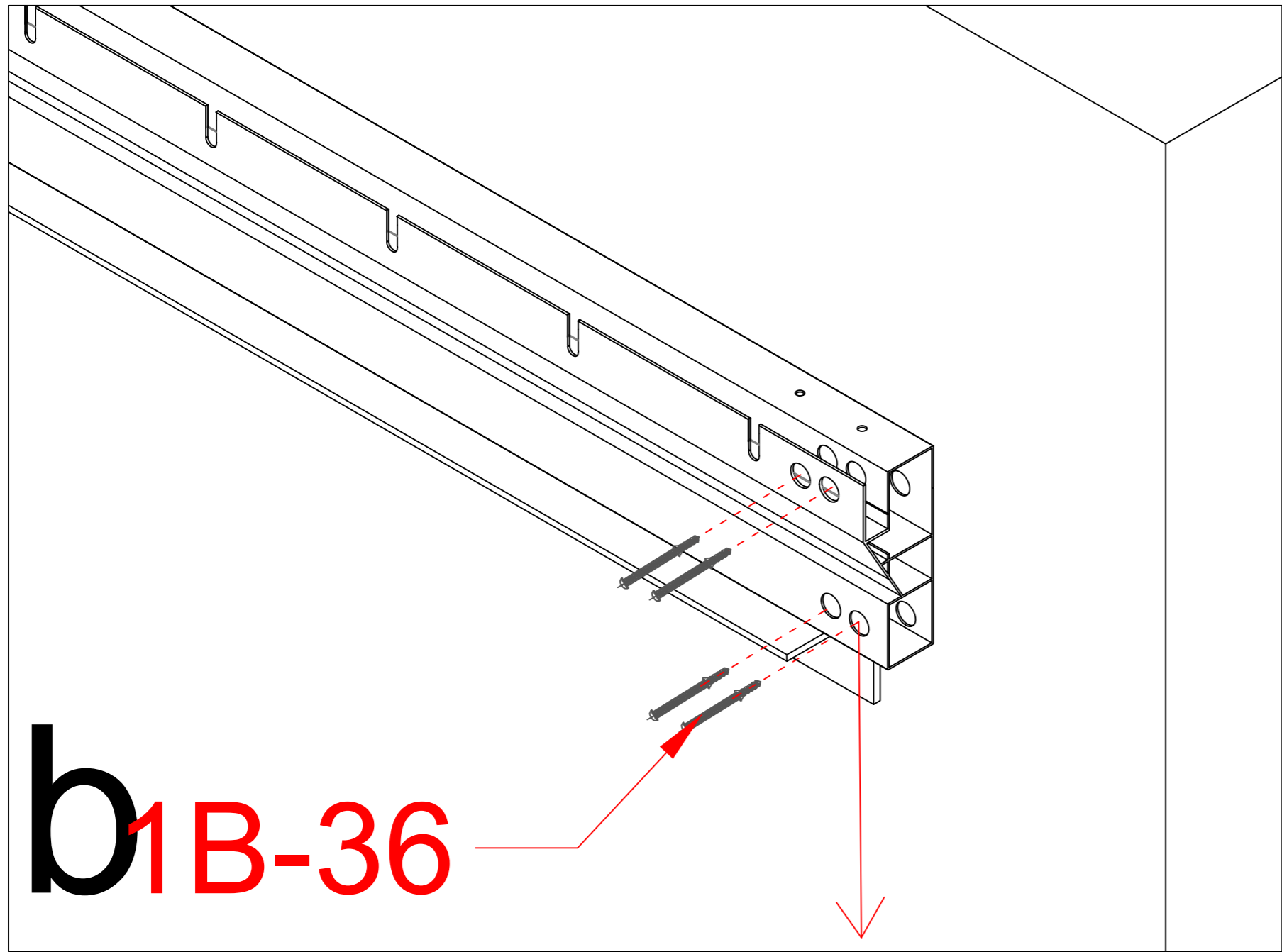
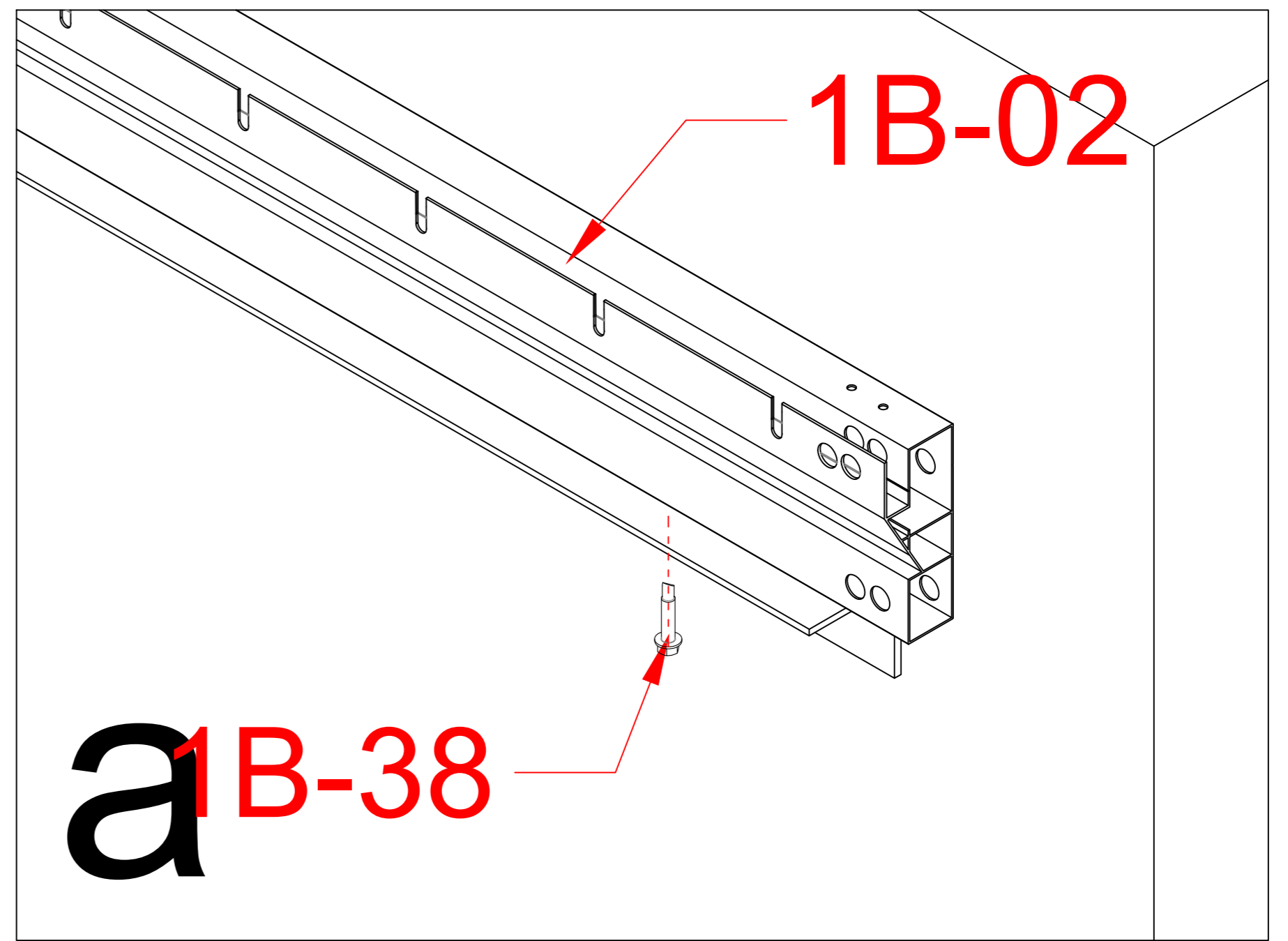
1B-01		2
1B-04		2





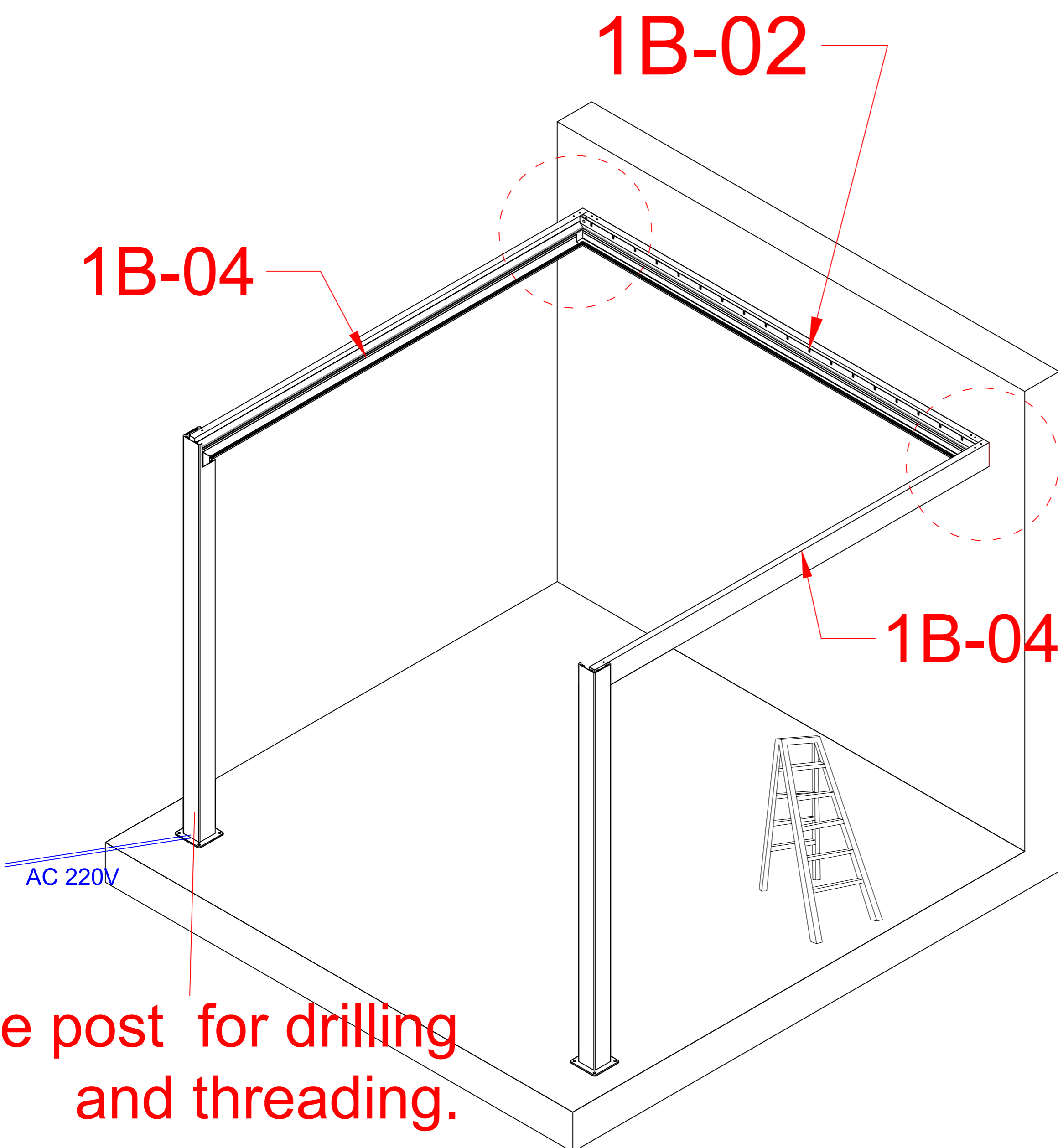
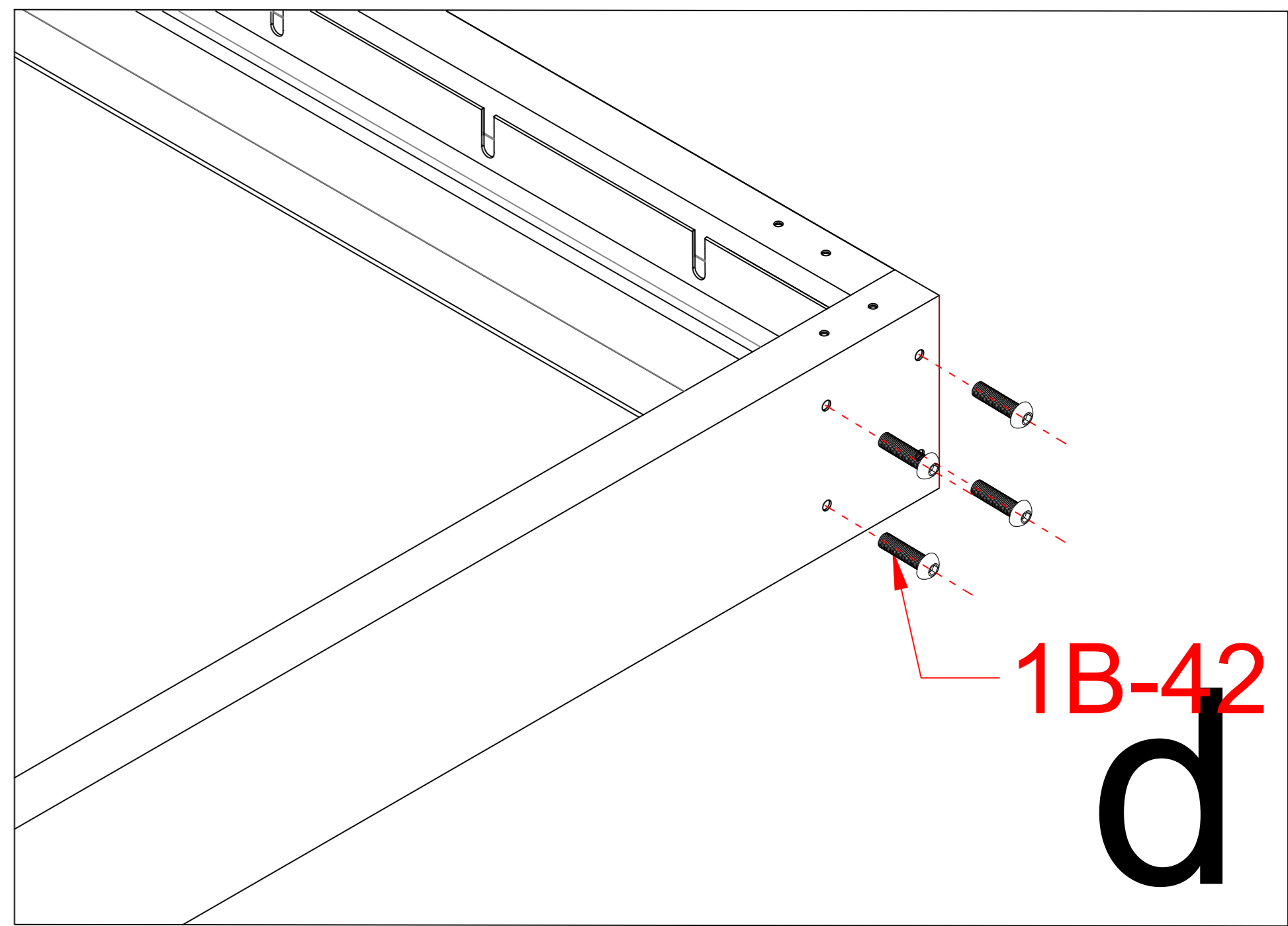
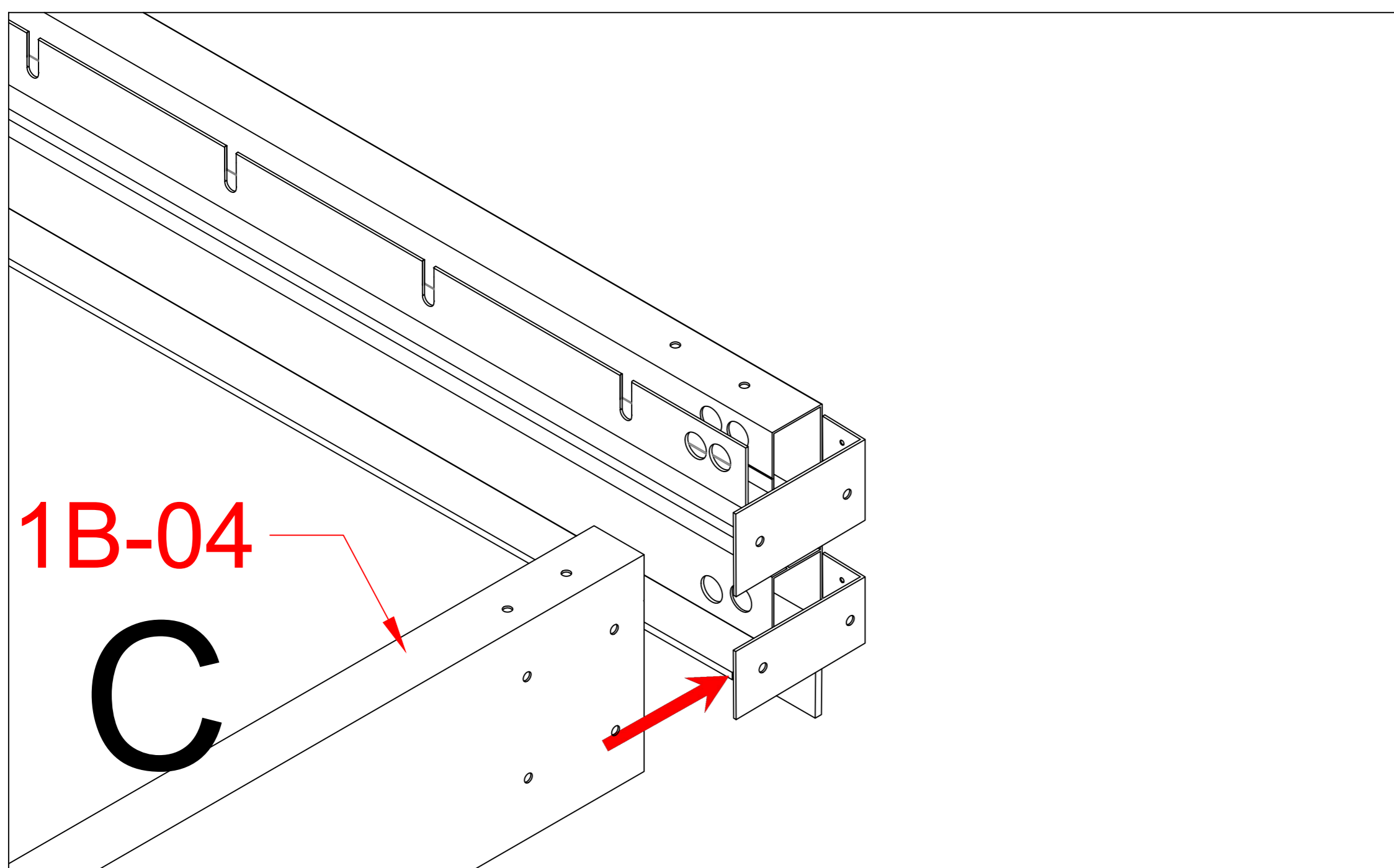
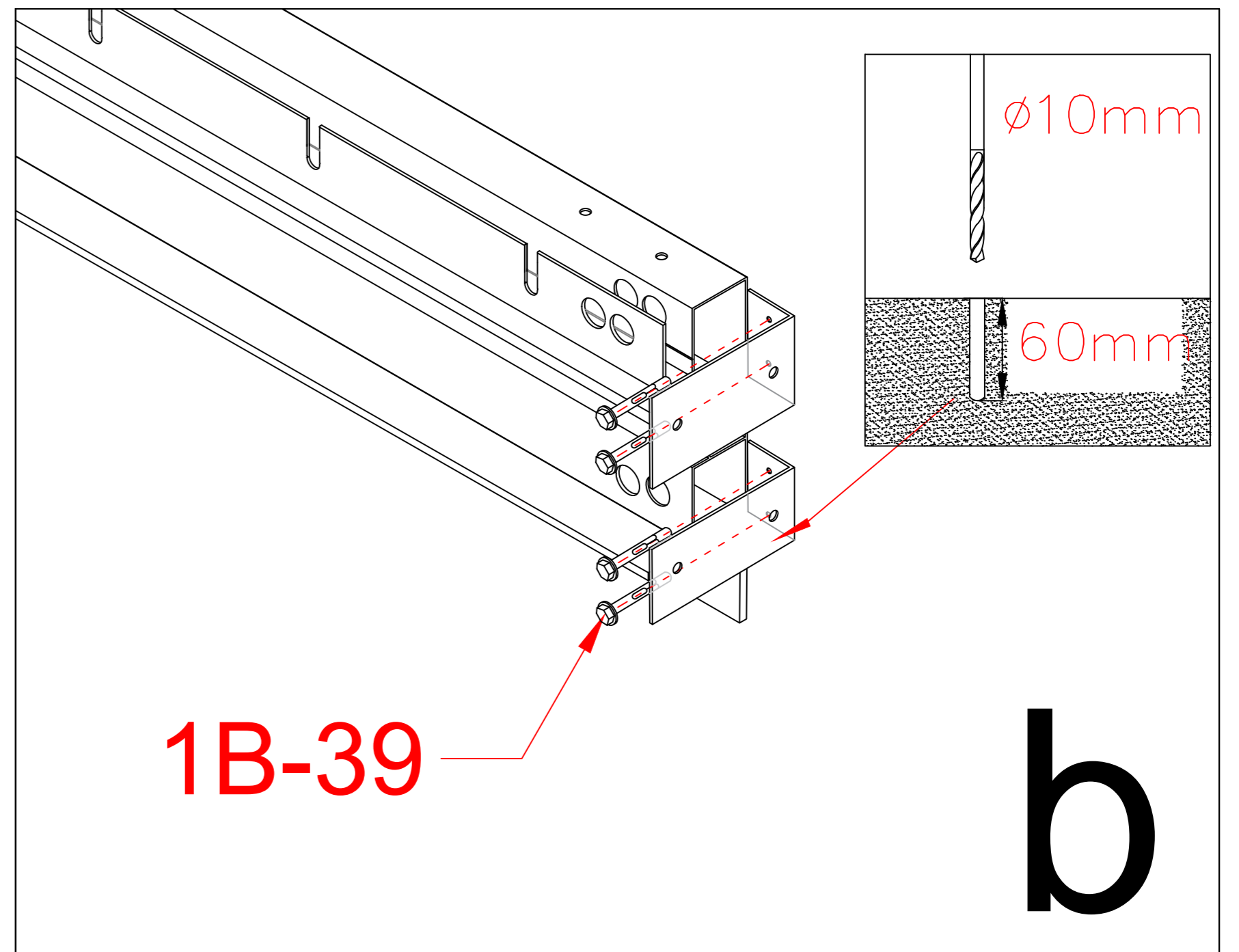
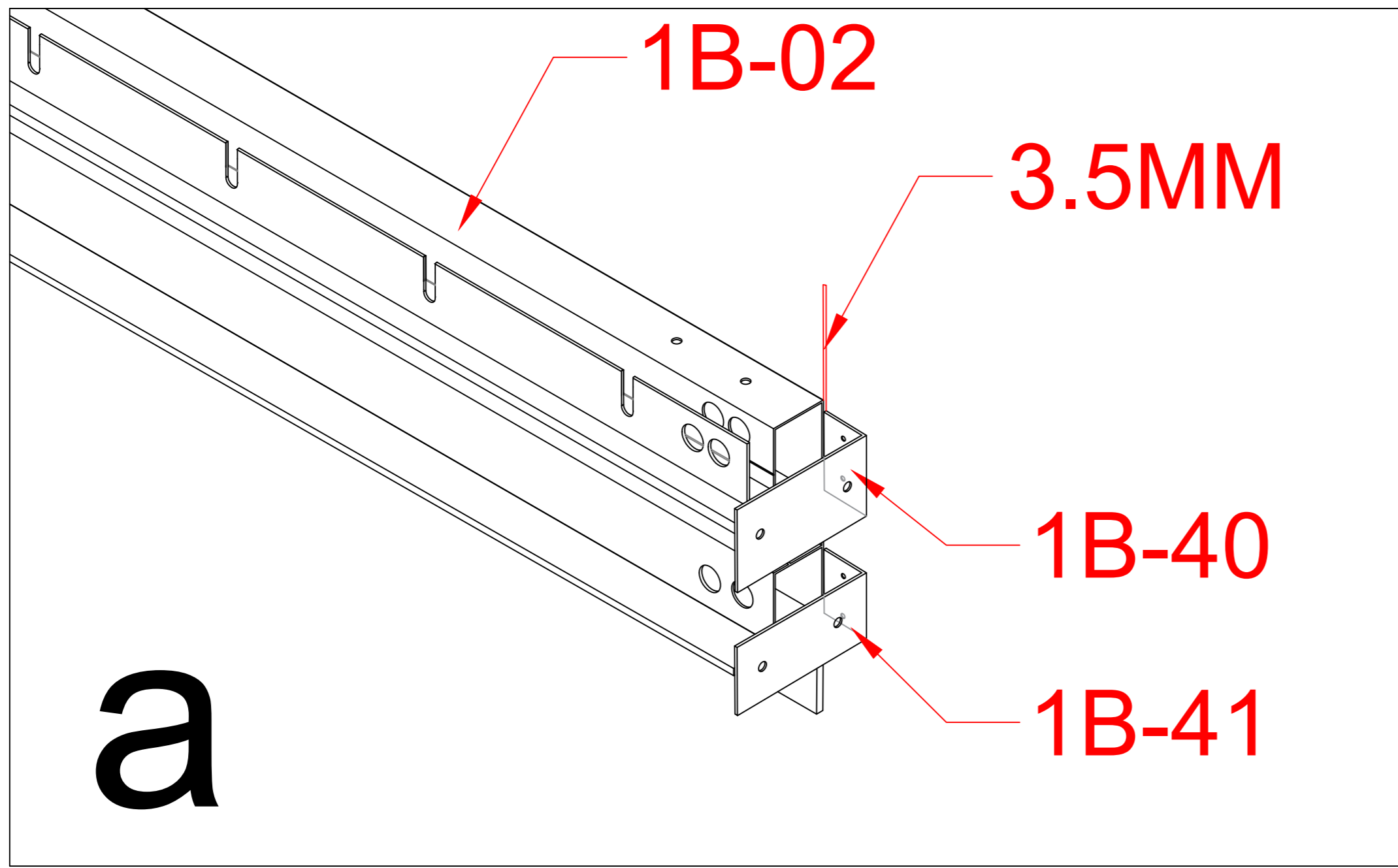
1B-34		1
1B-39		4

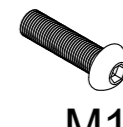
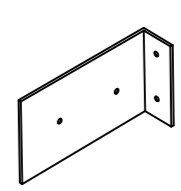
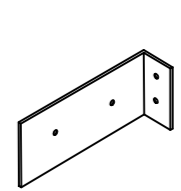
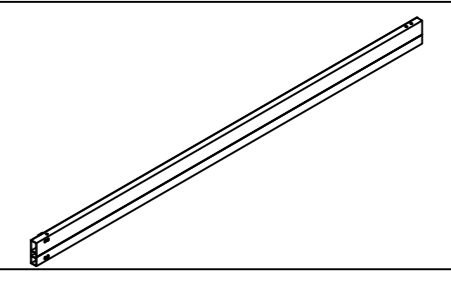
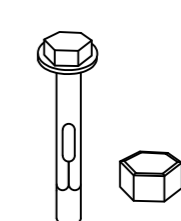


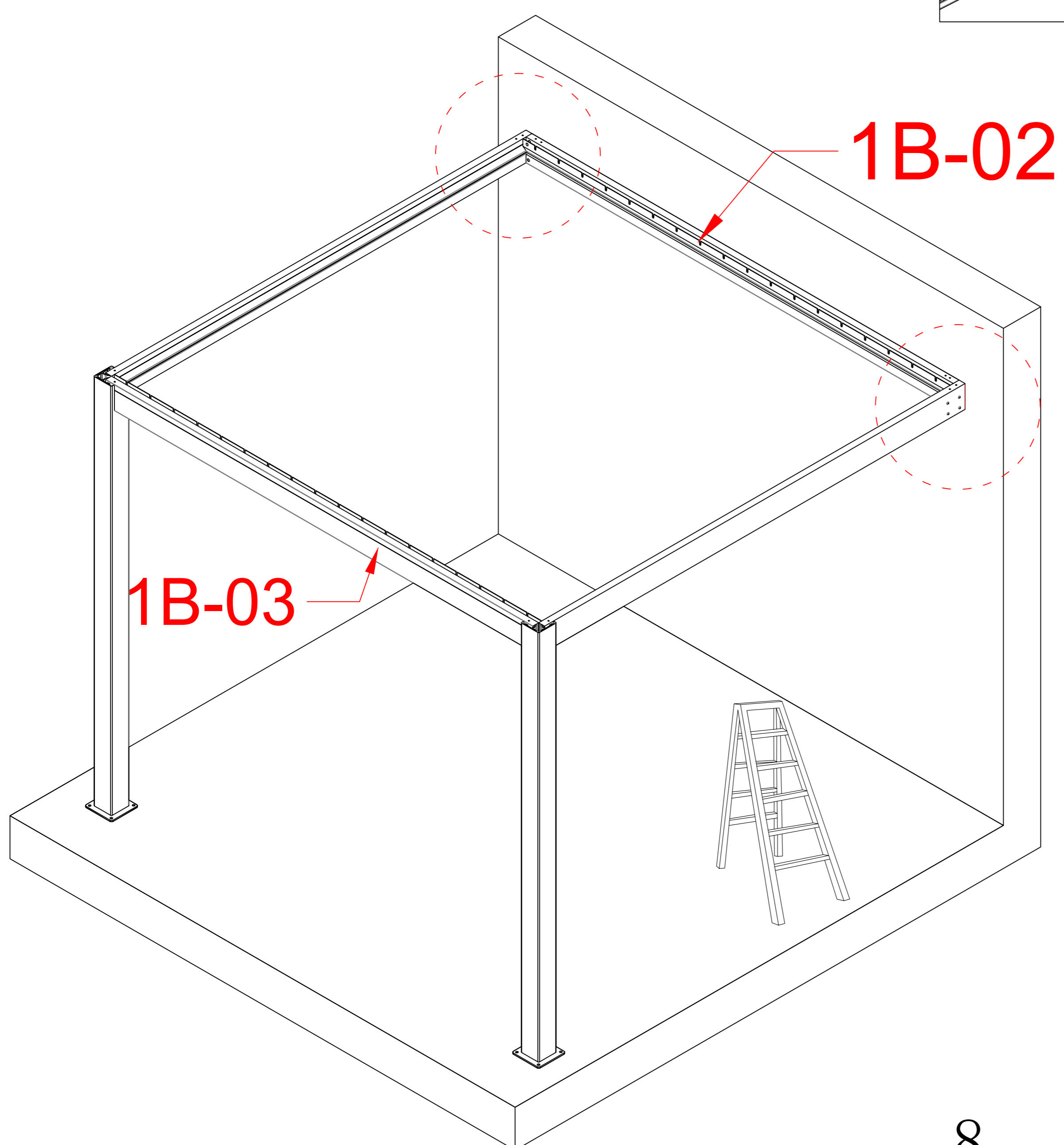
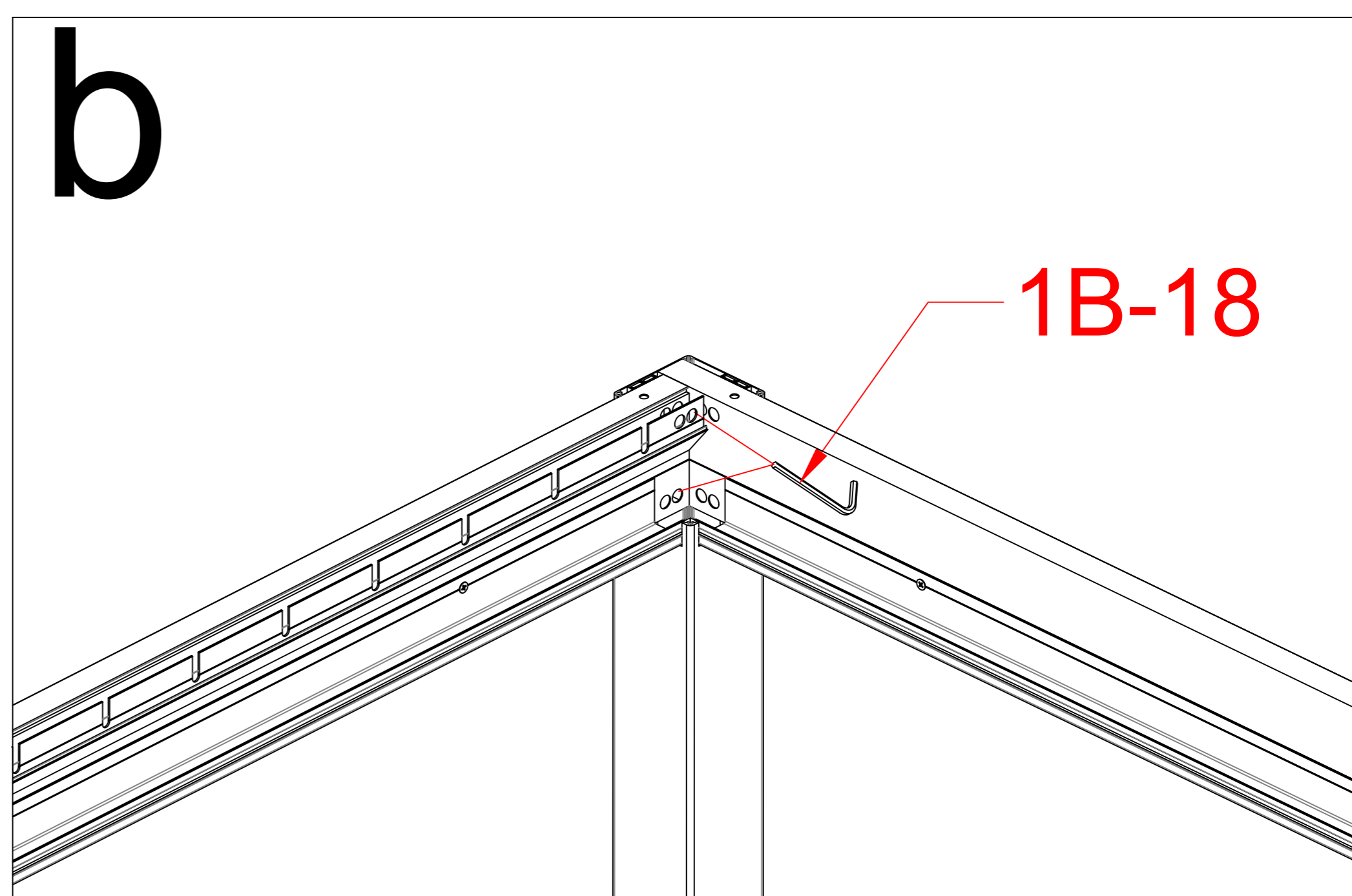
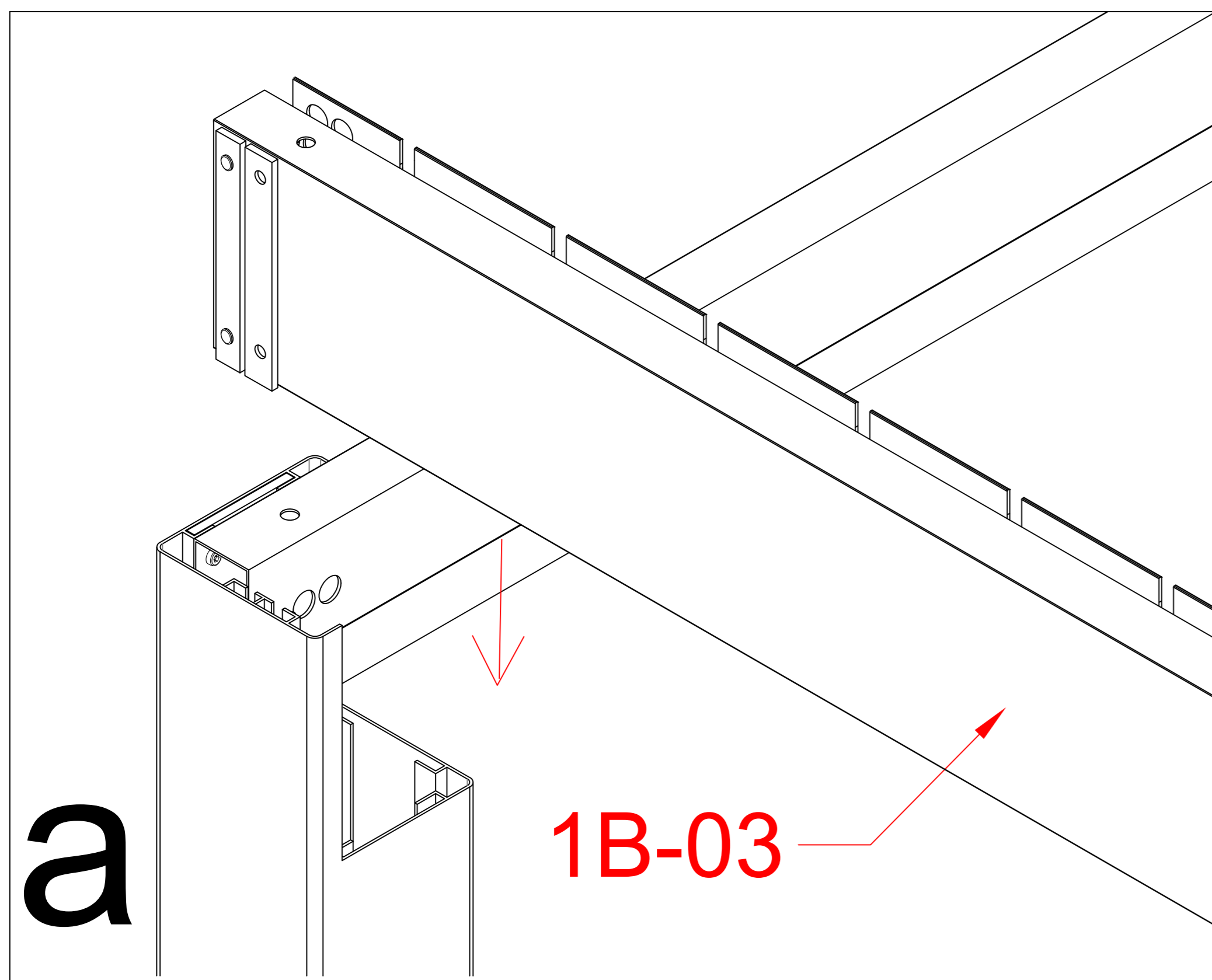


1B-02			1
1B-38			4
1B-36			8

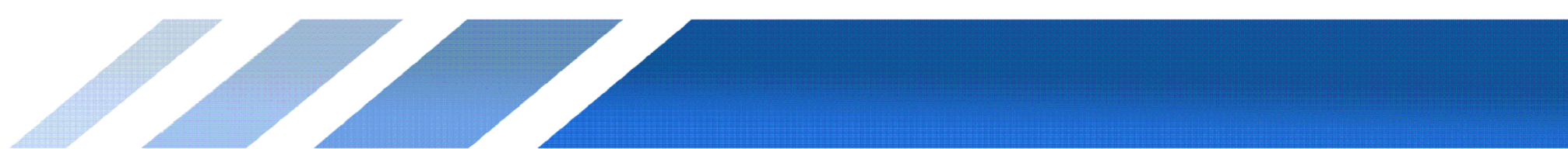


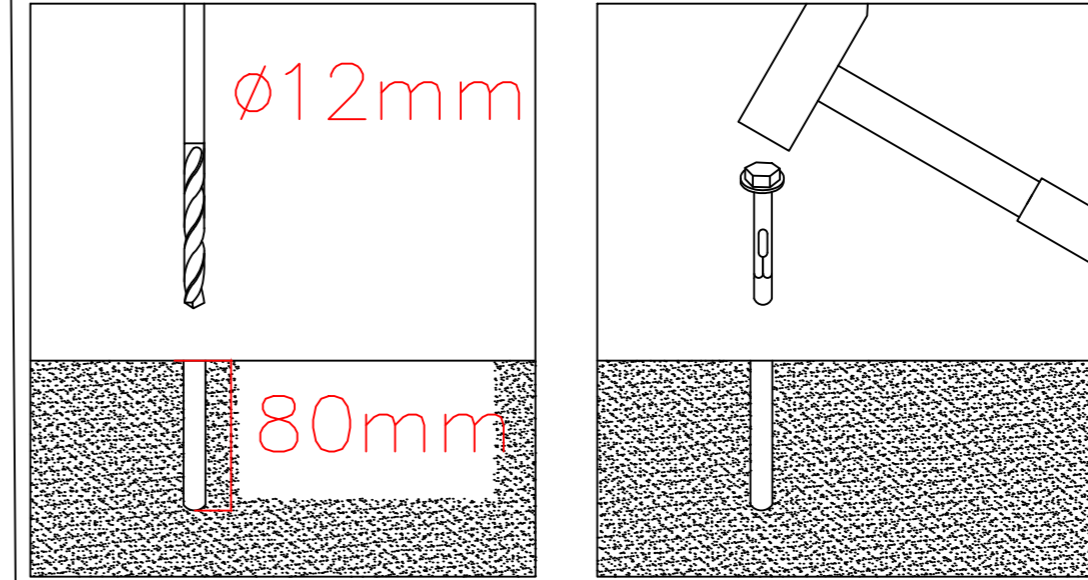
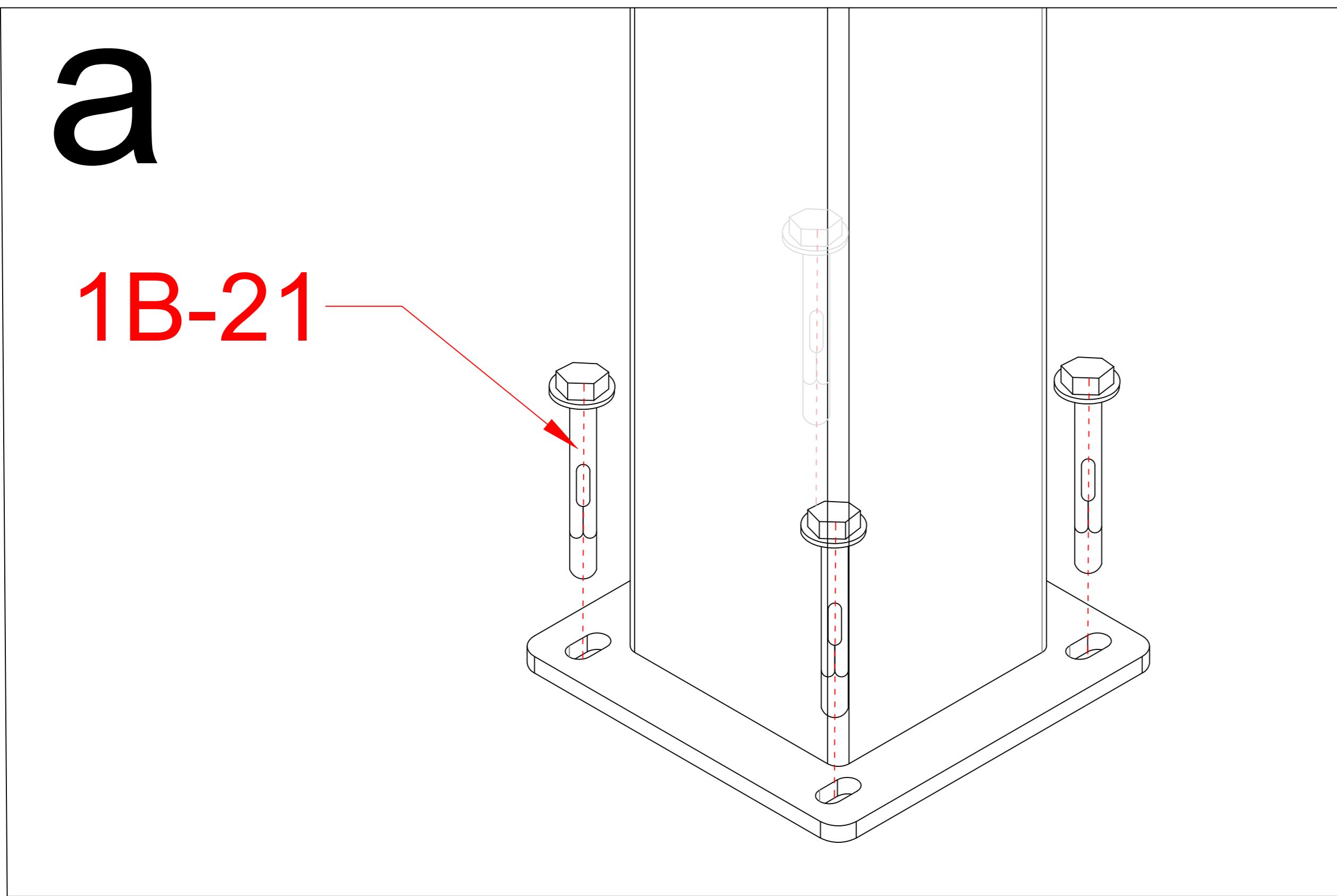


1B-42	 M10*20	8
1B-40		2
1B-41		2
1B-04		2
1B-39		8

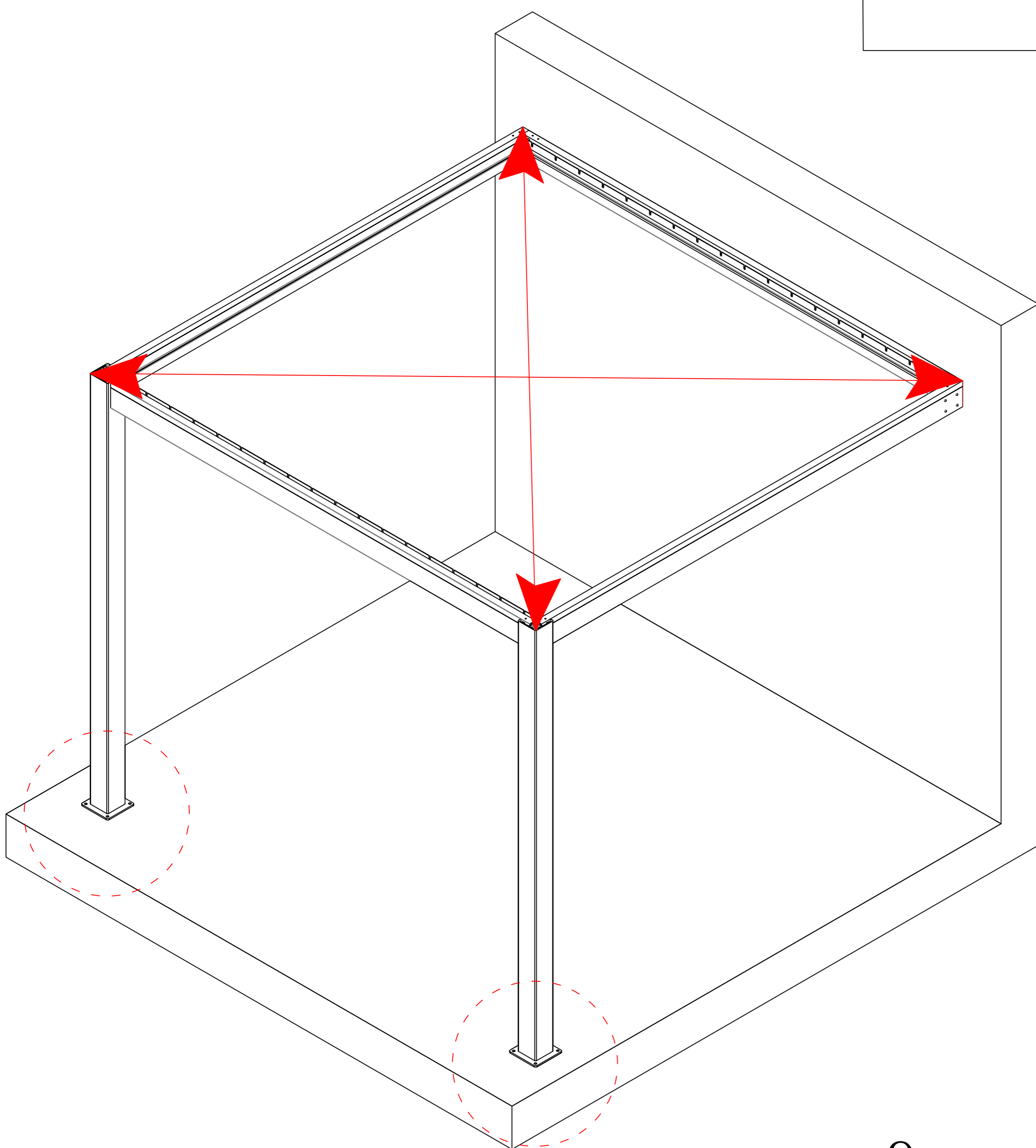
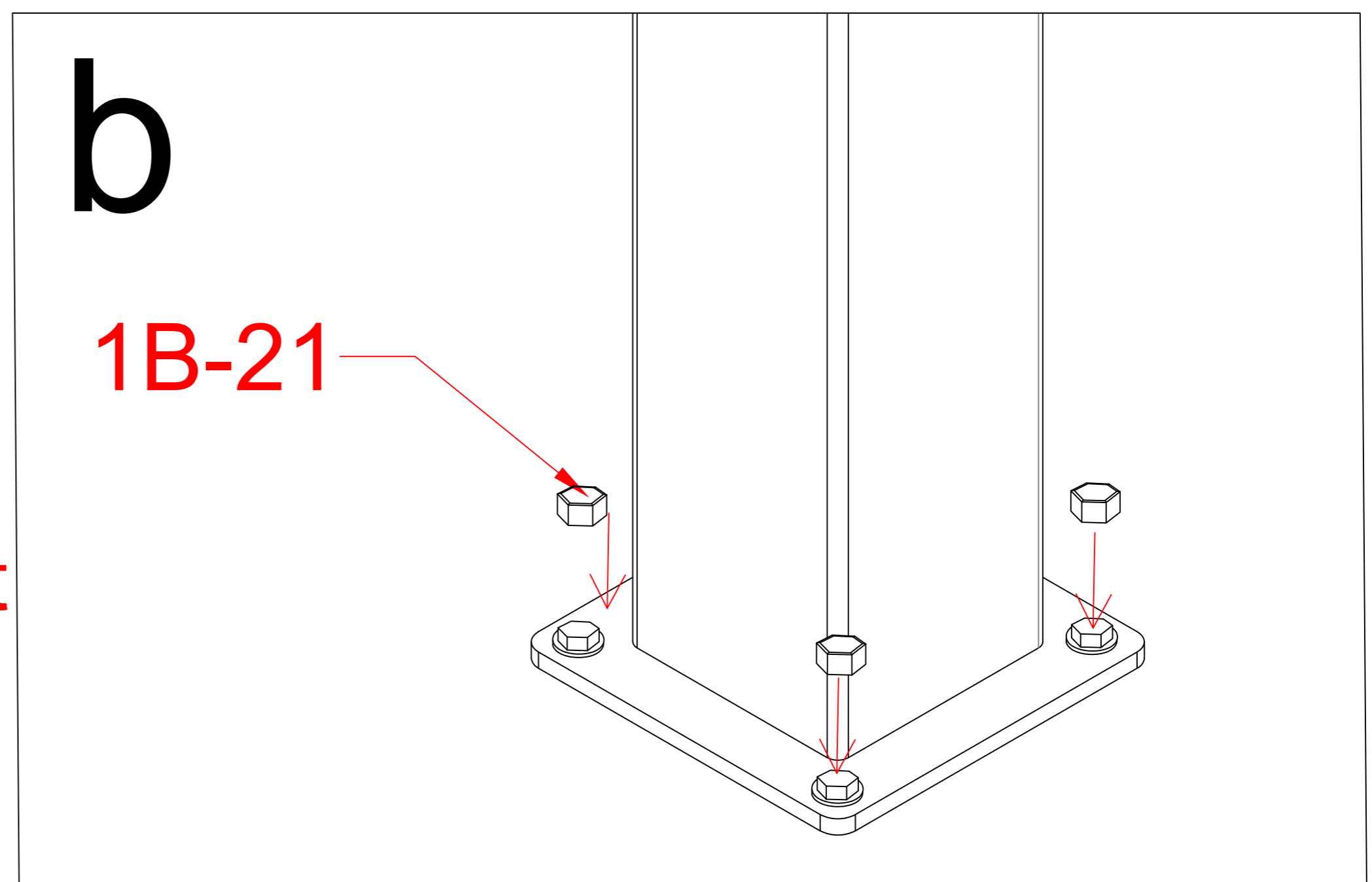


1B-03			1
-------	--	--	---



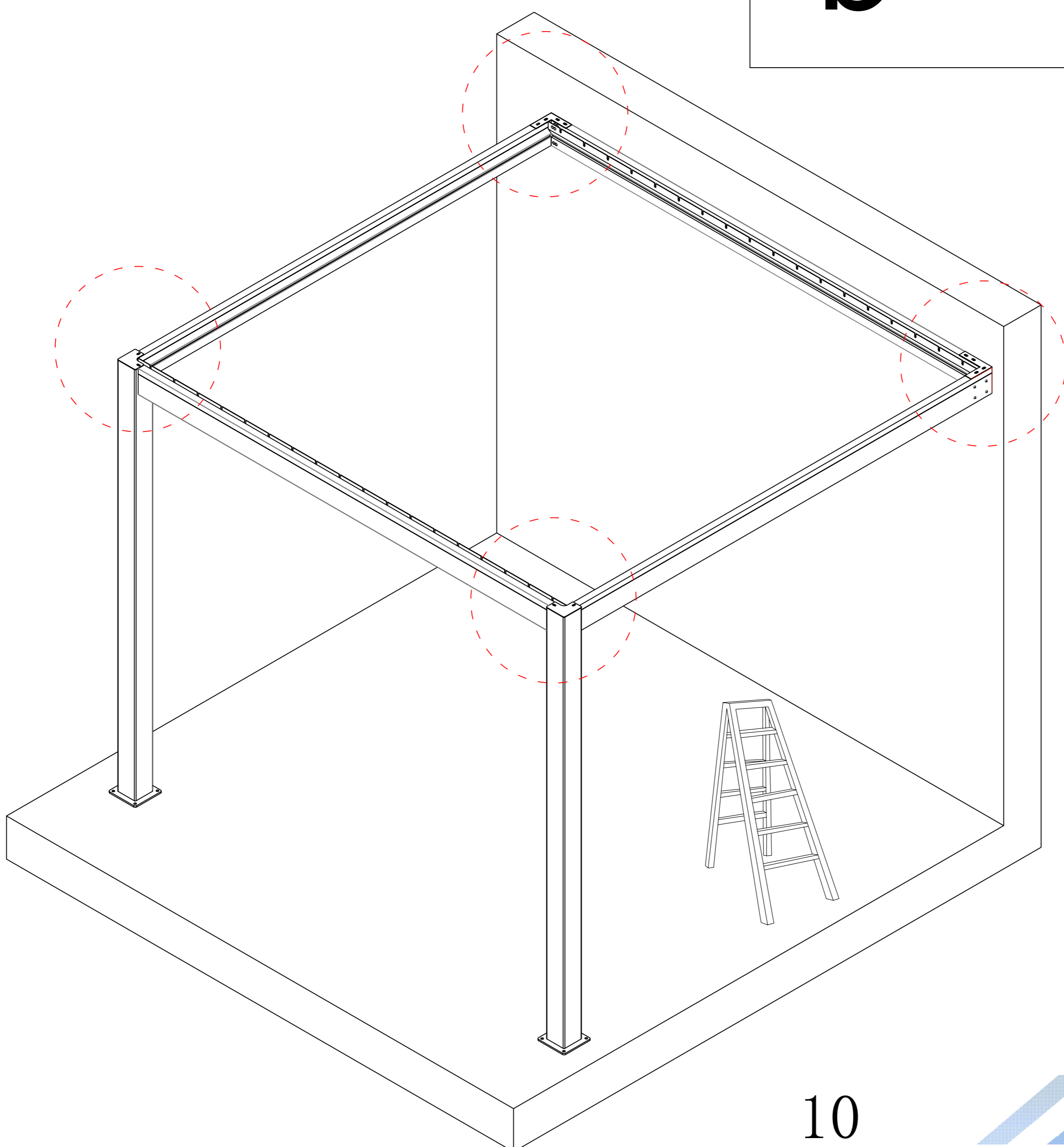
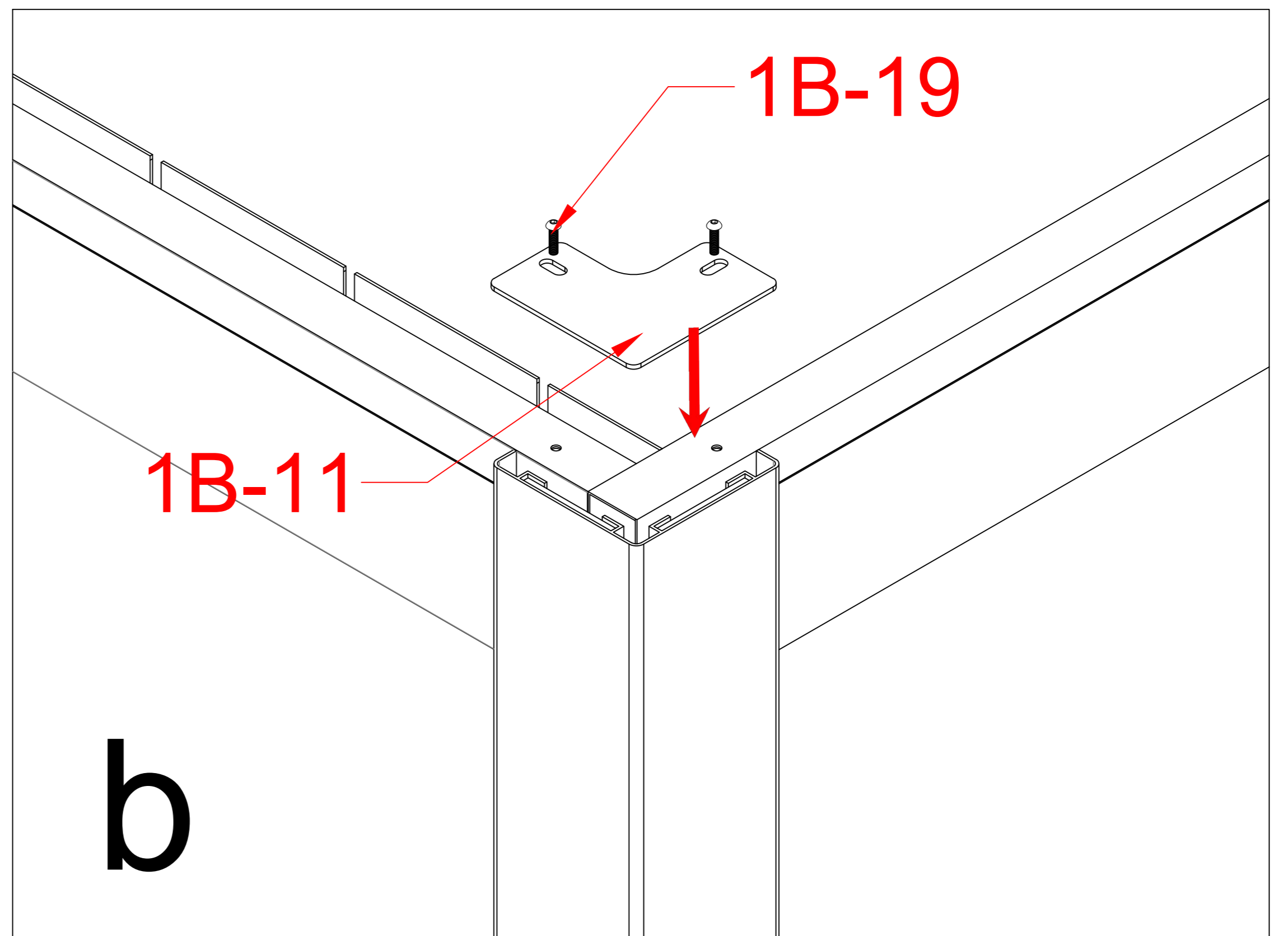
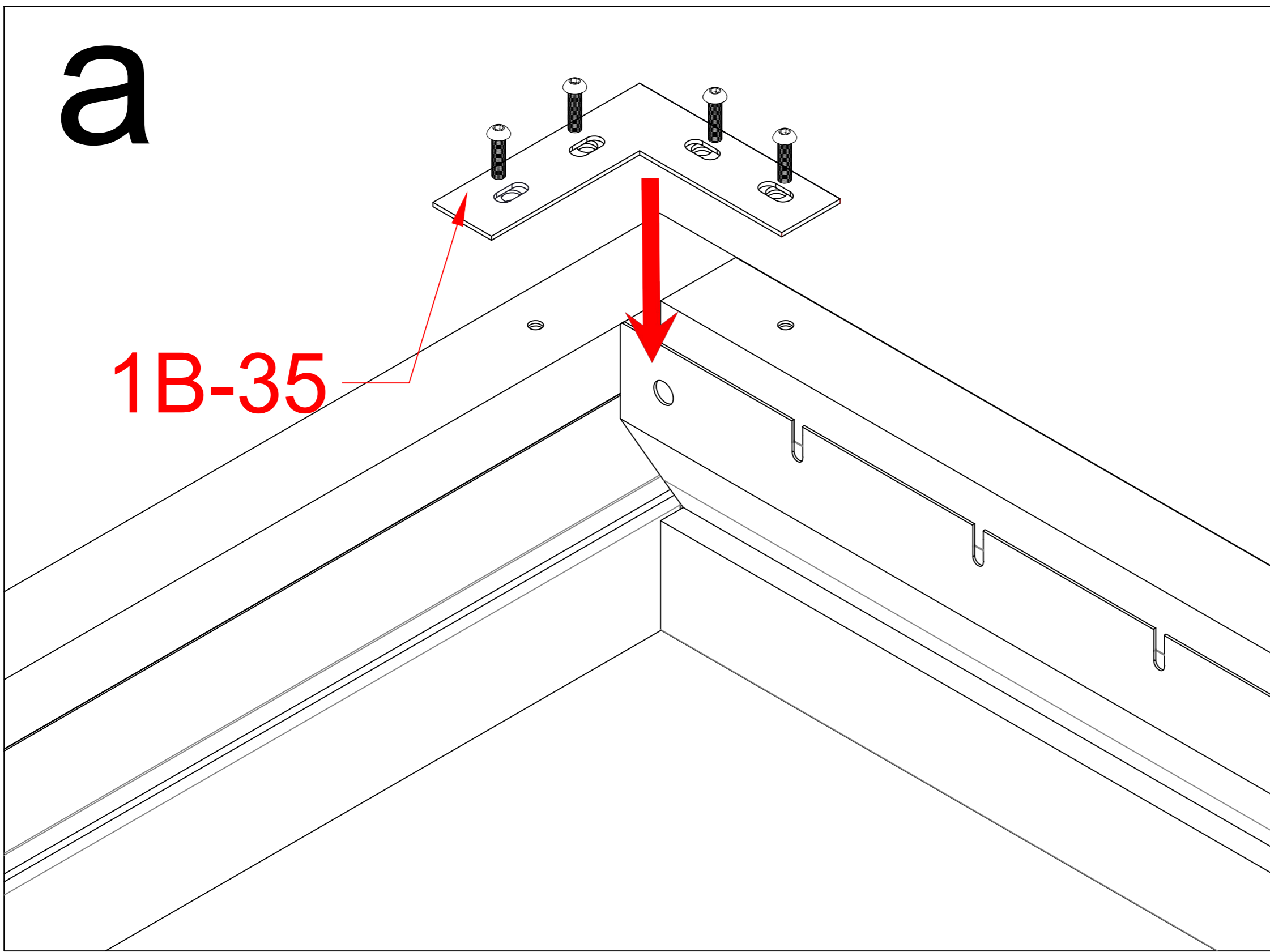


Pls measure the diagonal size and make sure the diagonal size keeps same before screw 1B-21 mounted. If not, pls adjust it to same size.

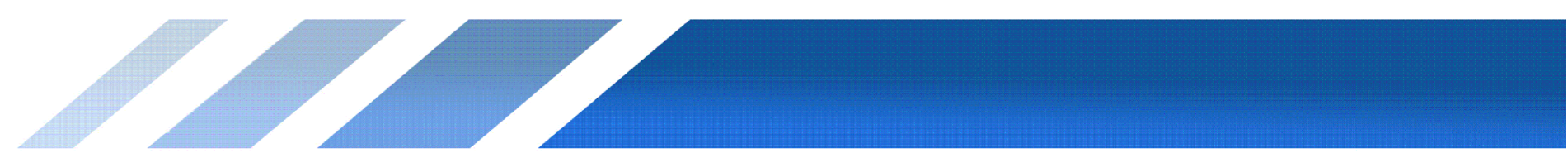


1B-21		8
-------	--	---

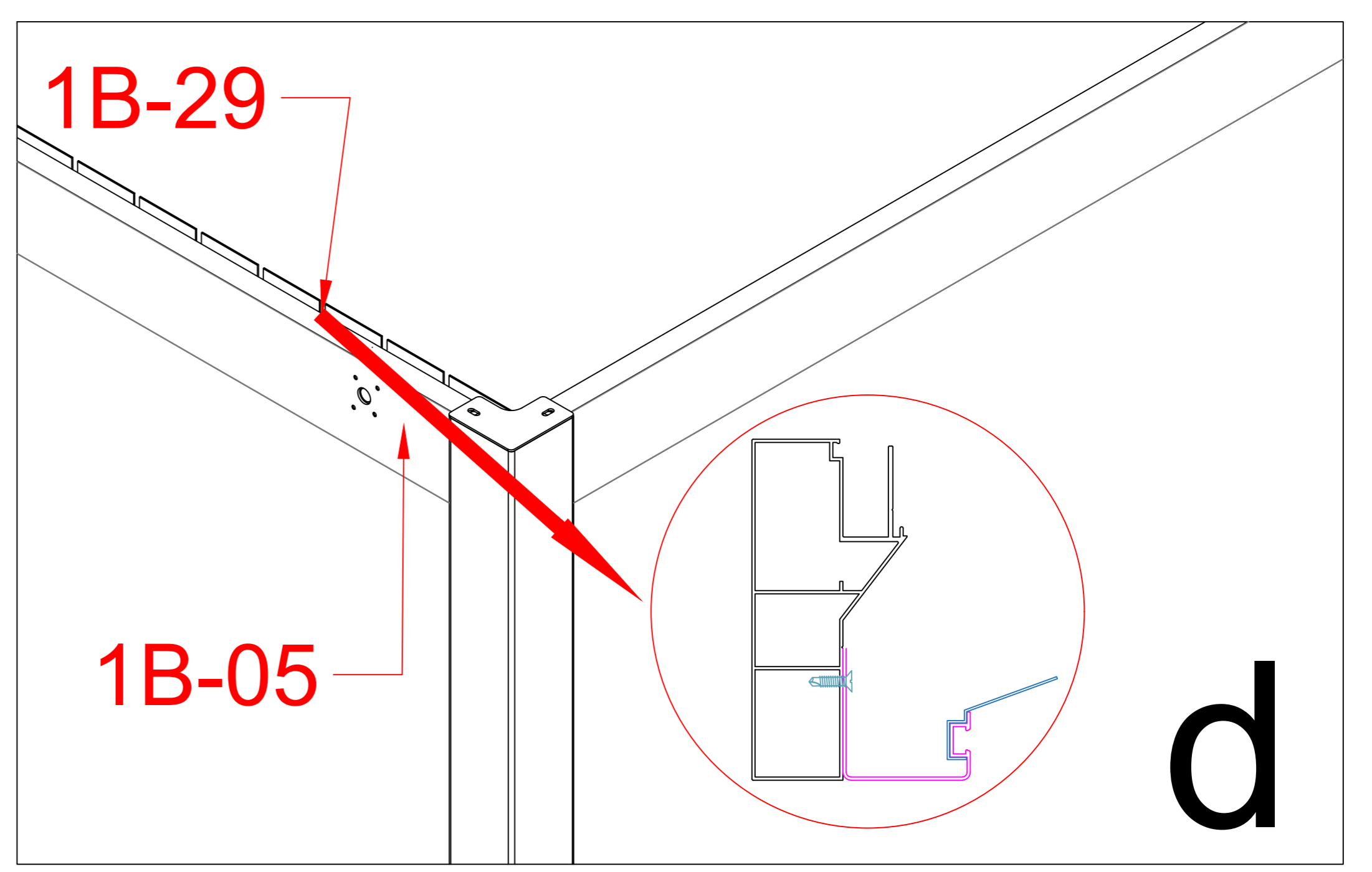
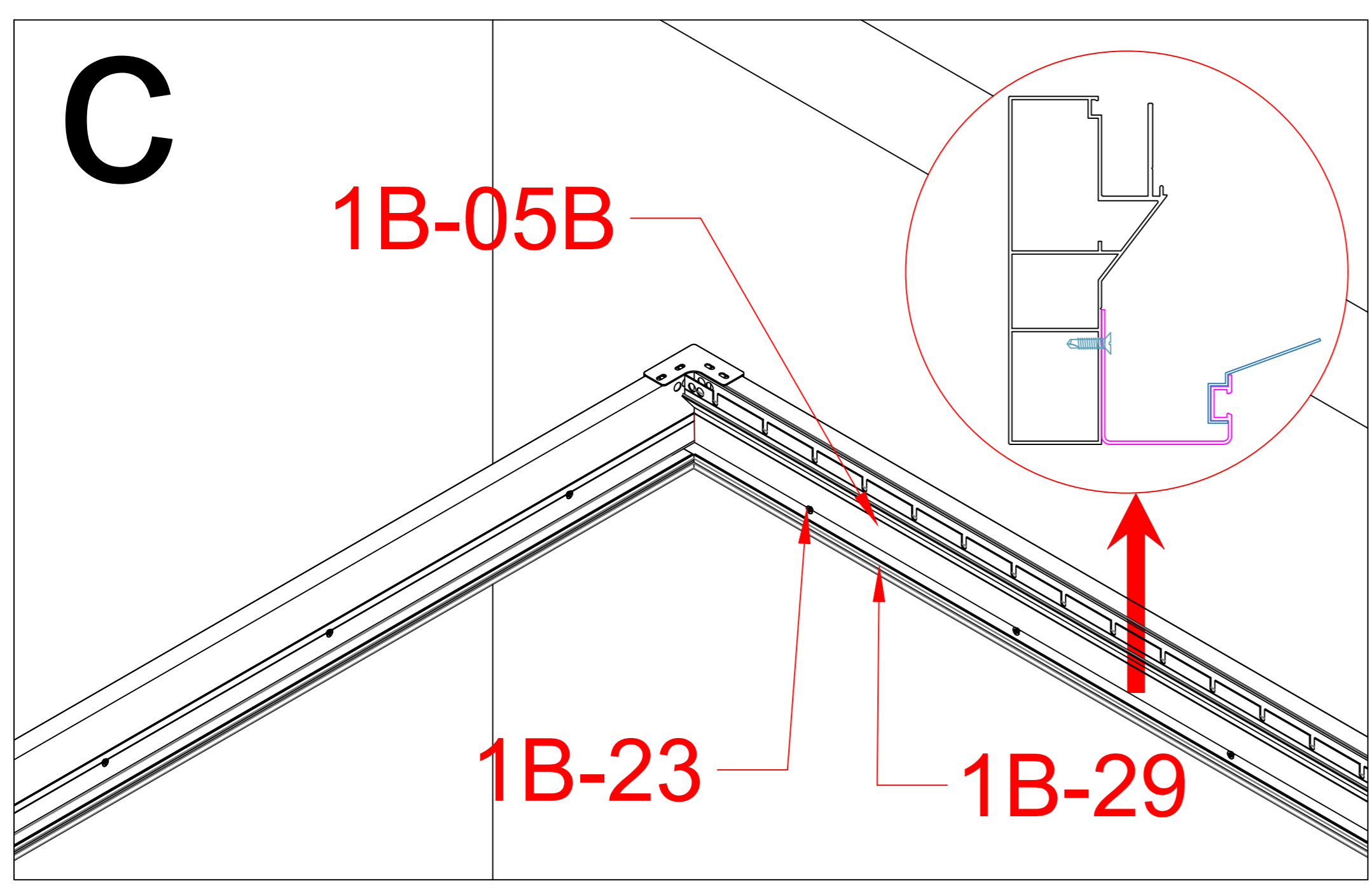
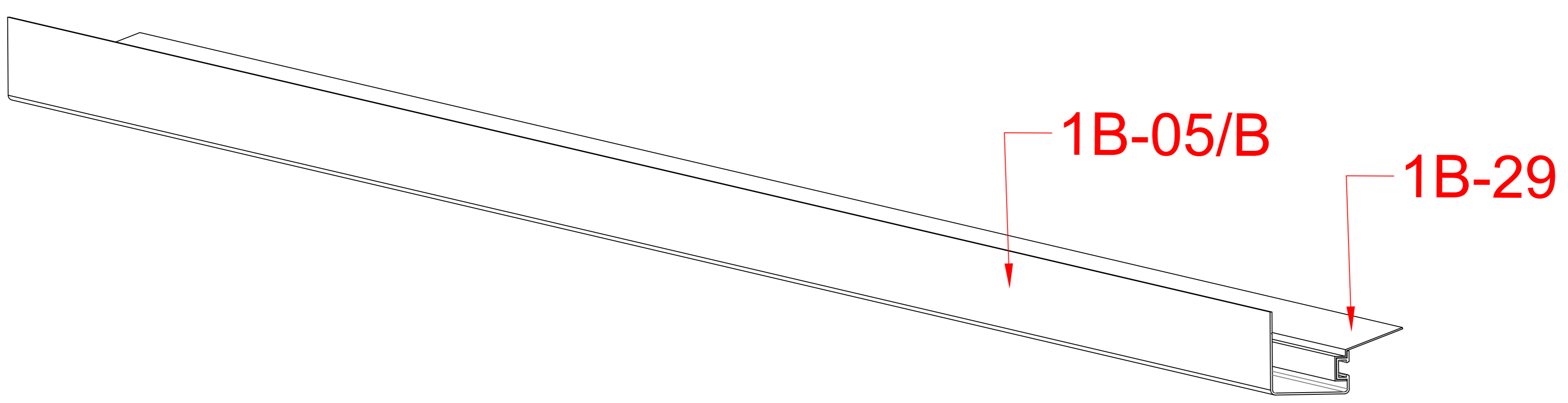
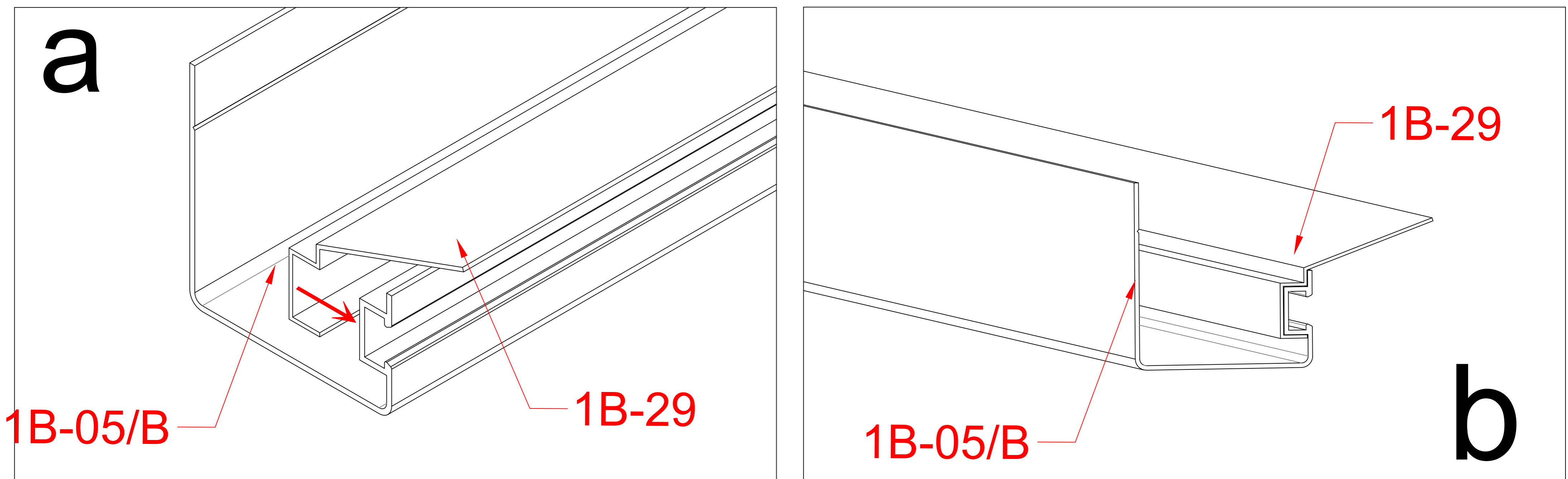




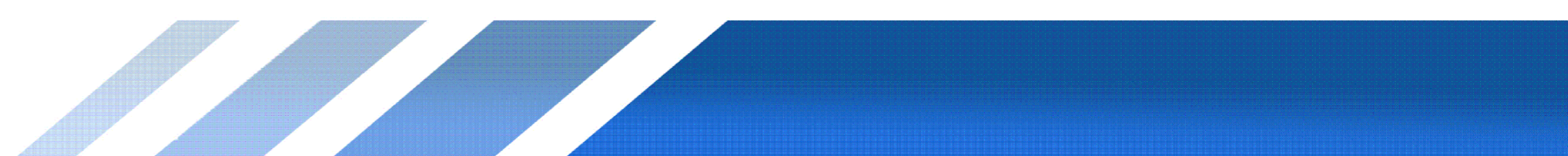
1B-35		2
1B-11		2
1B-19		12

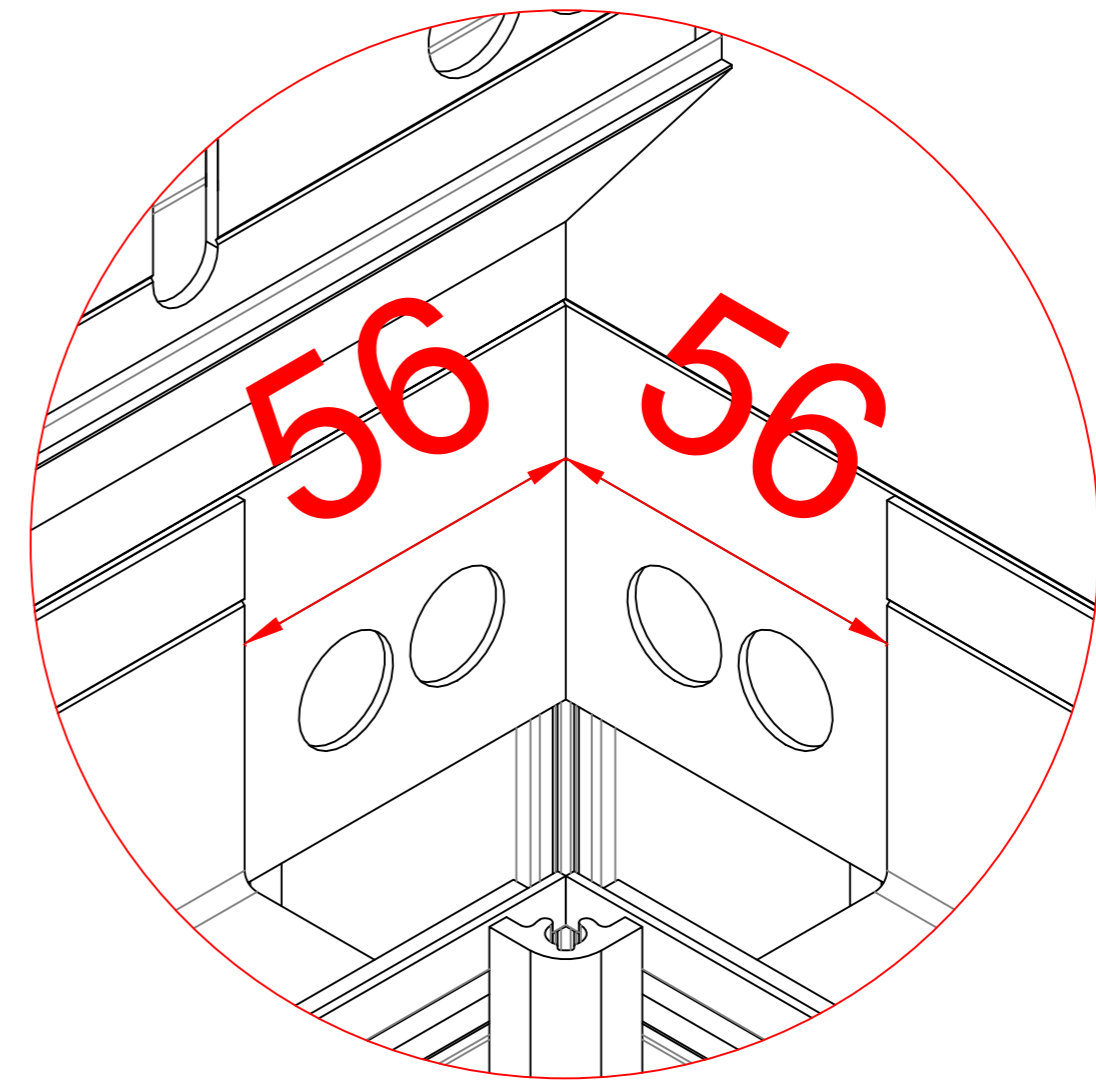
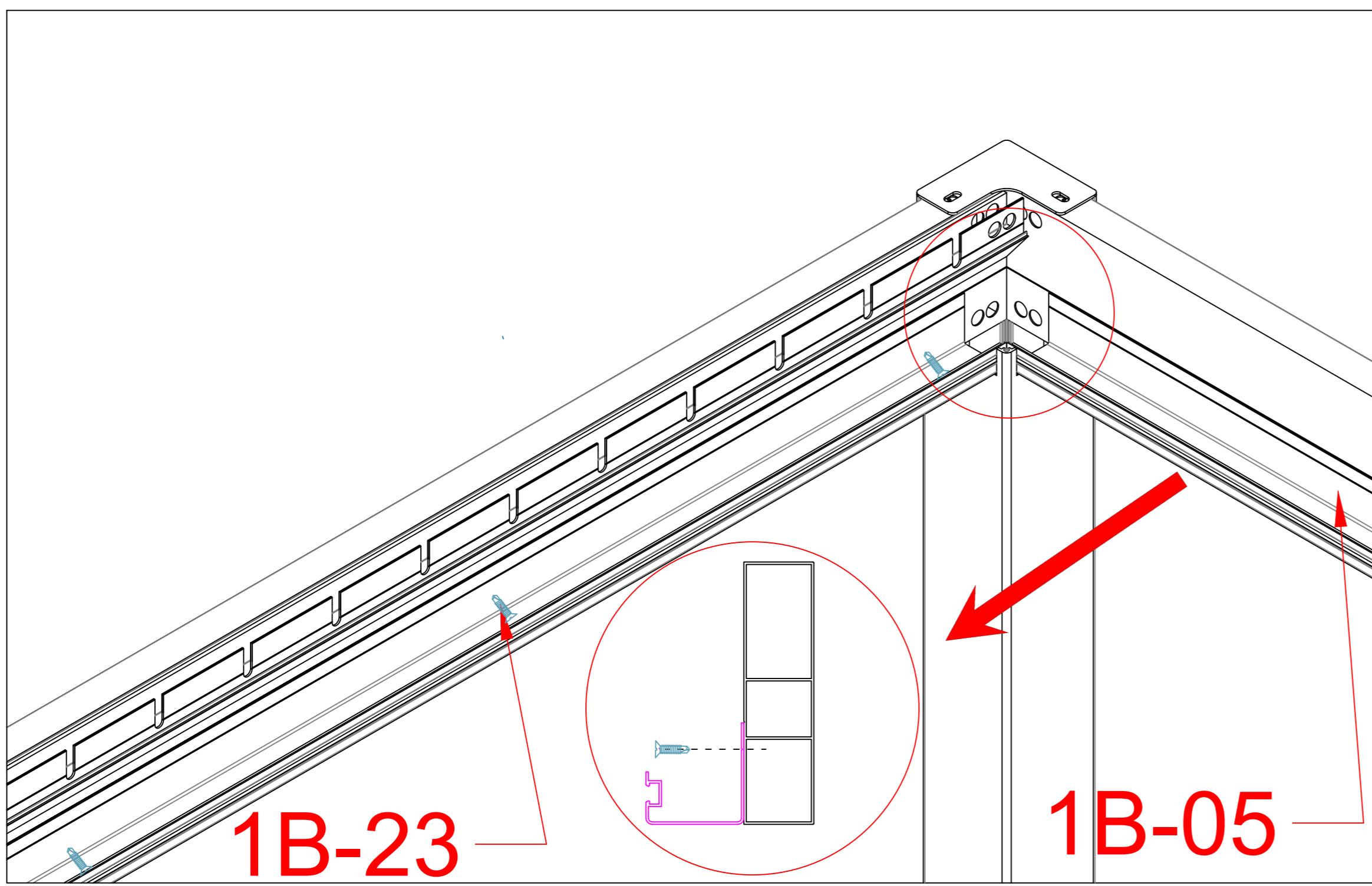




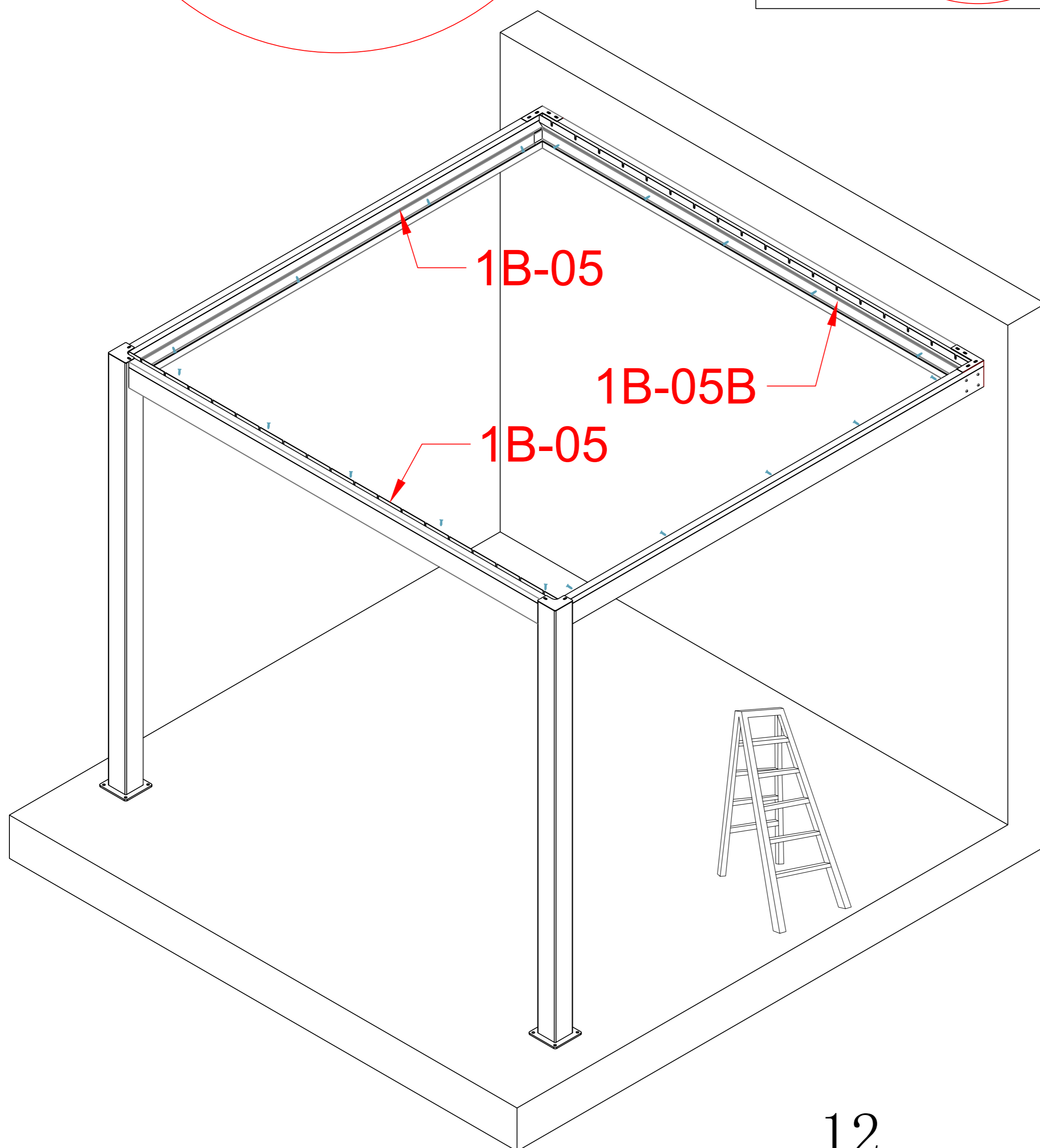
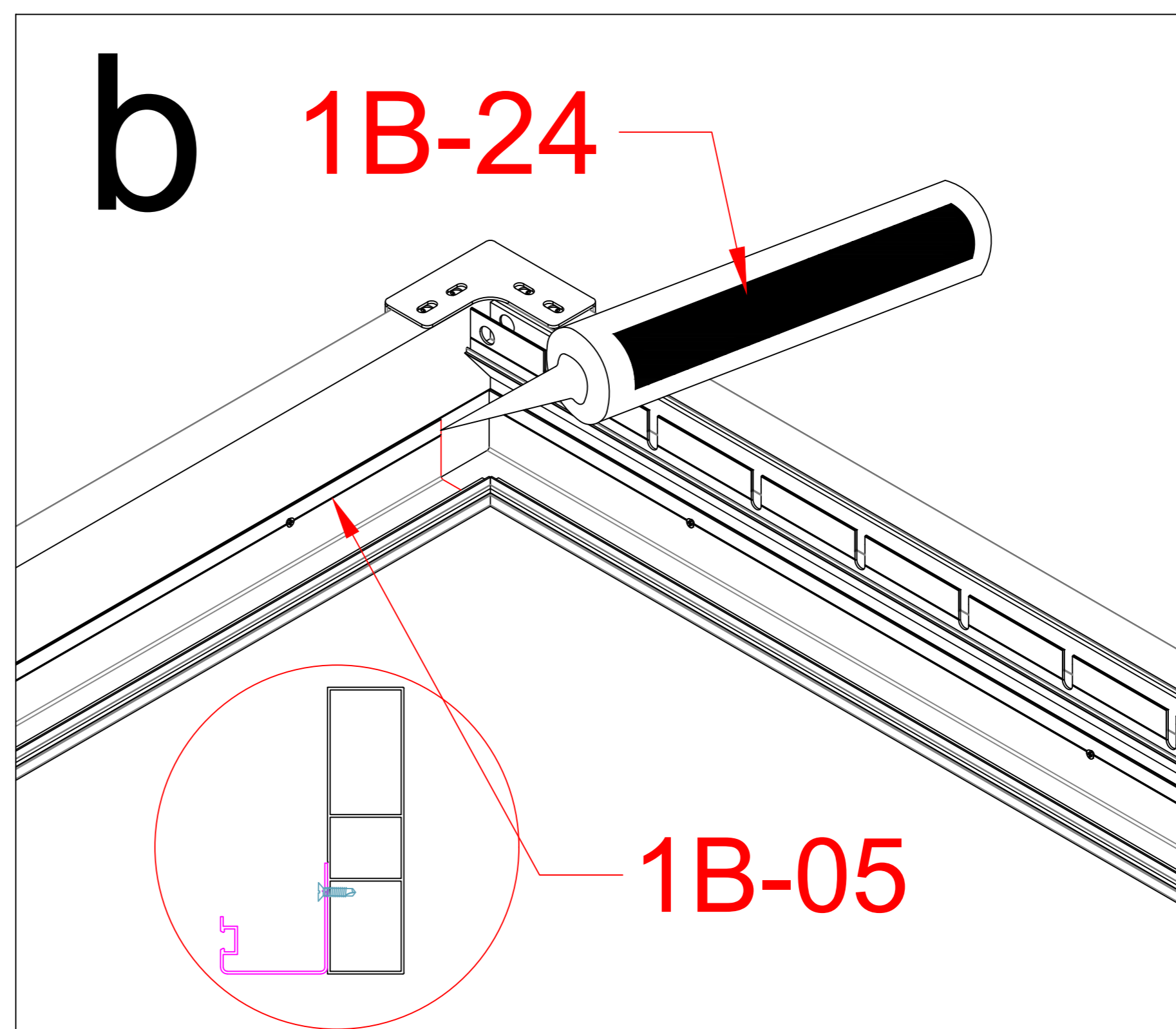
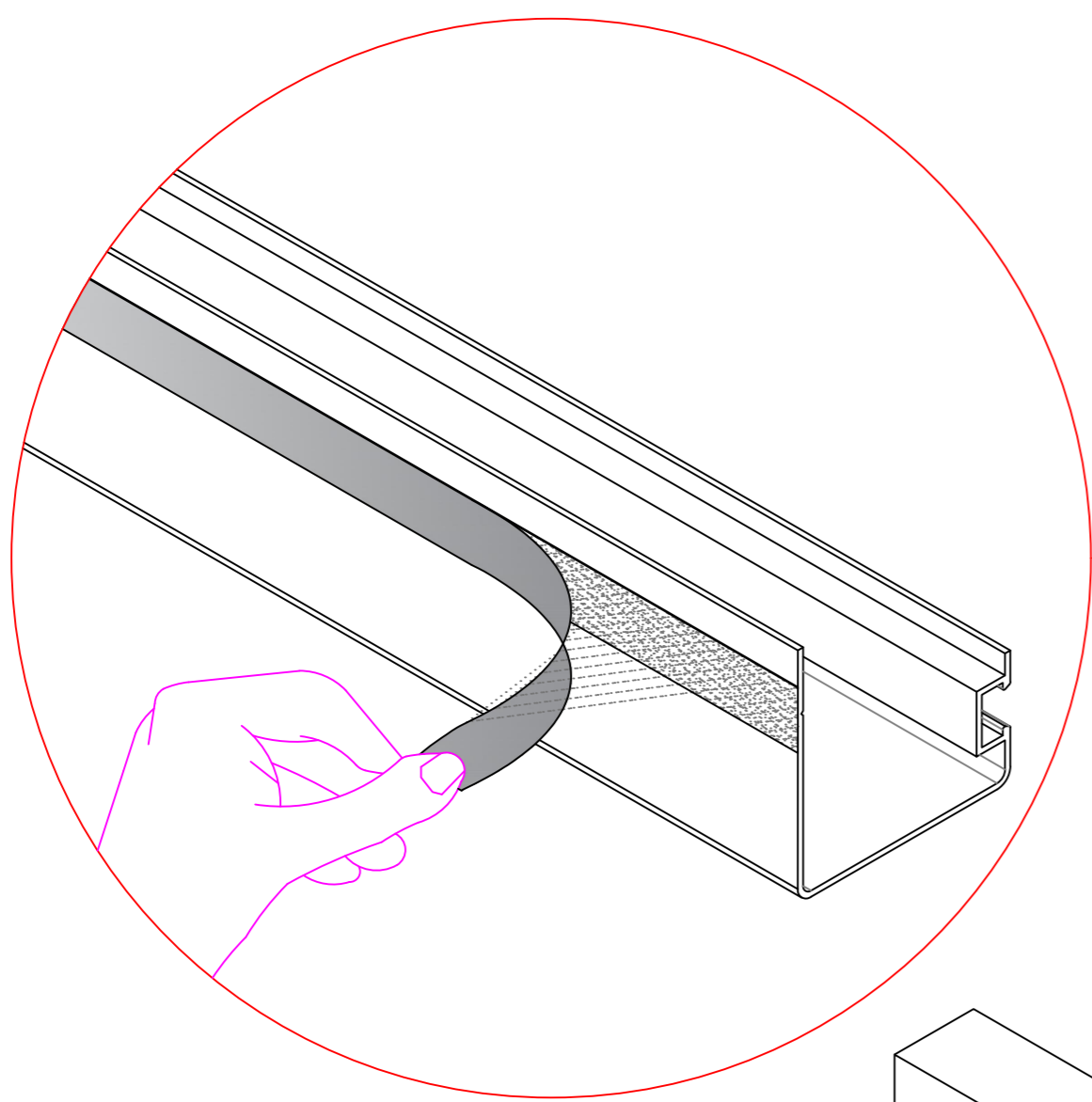


1B-23		8
1B-05B		1
1B-05		1
1B-29		2





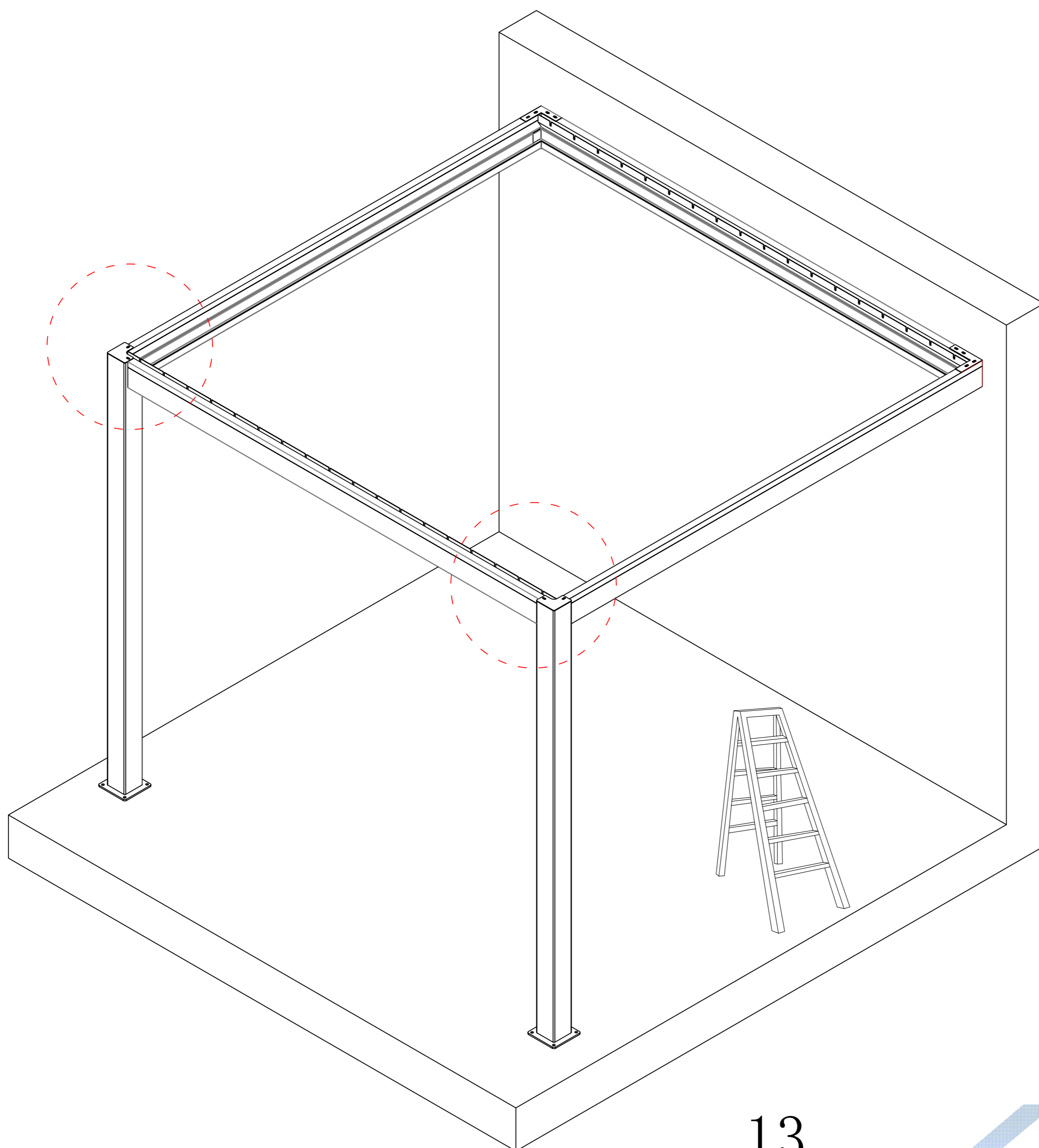
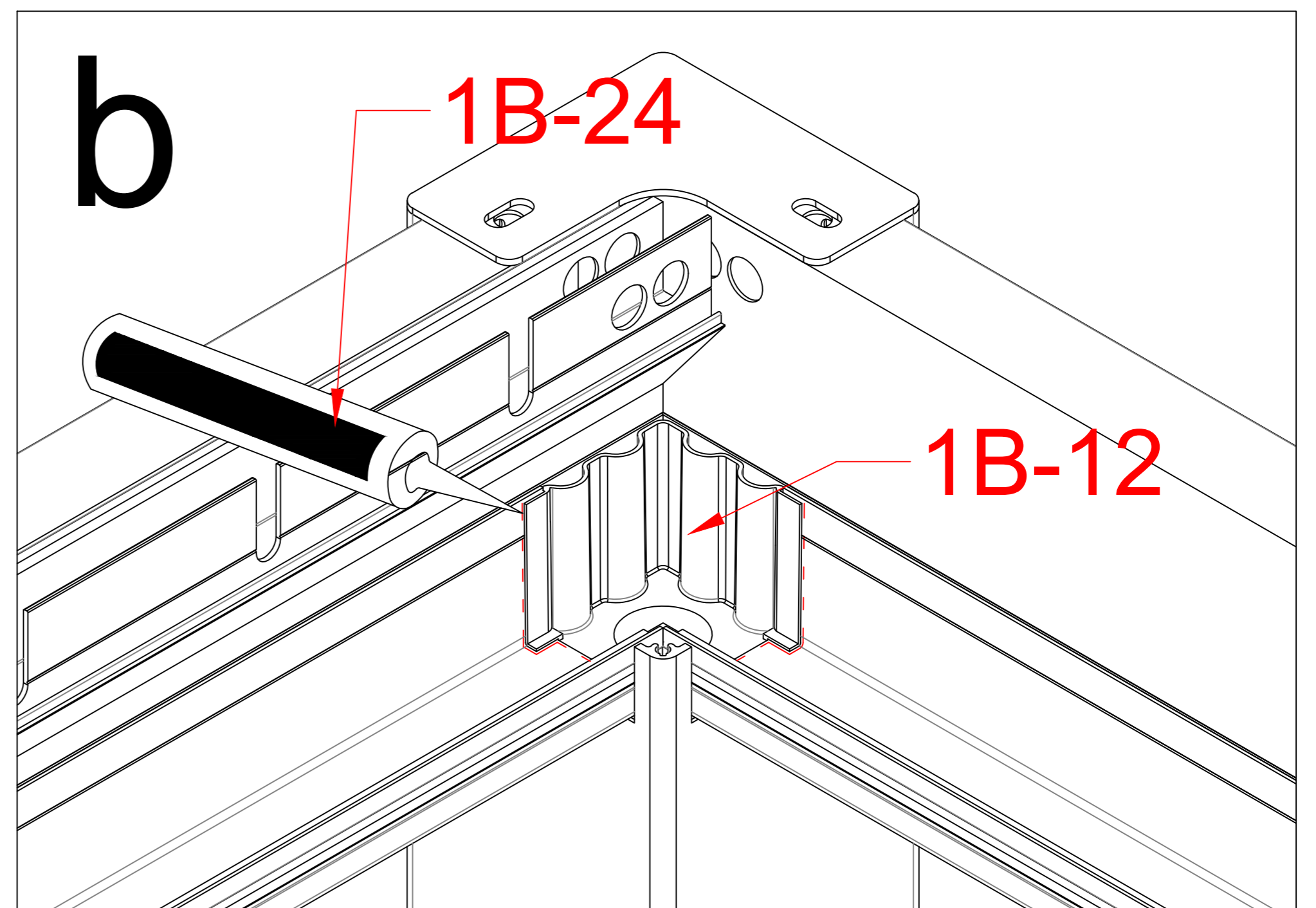
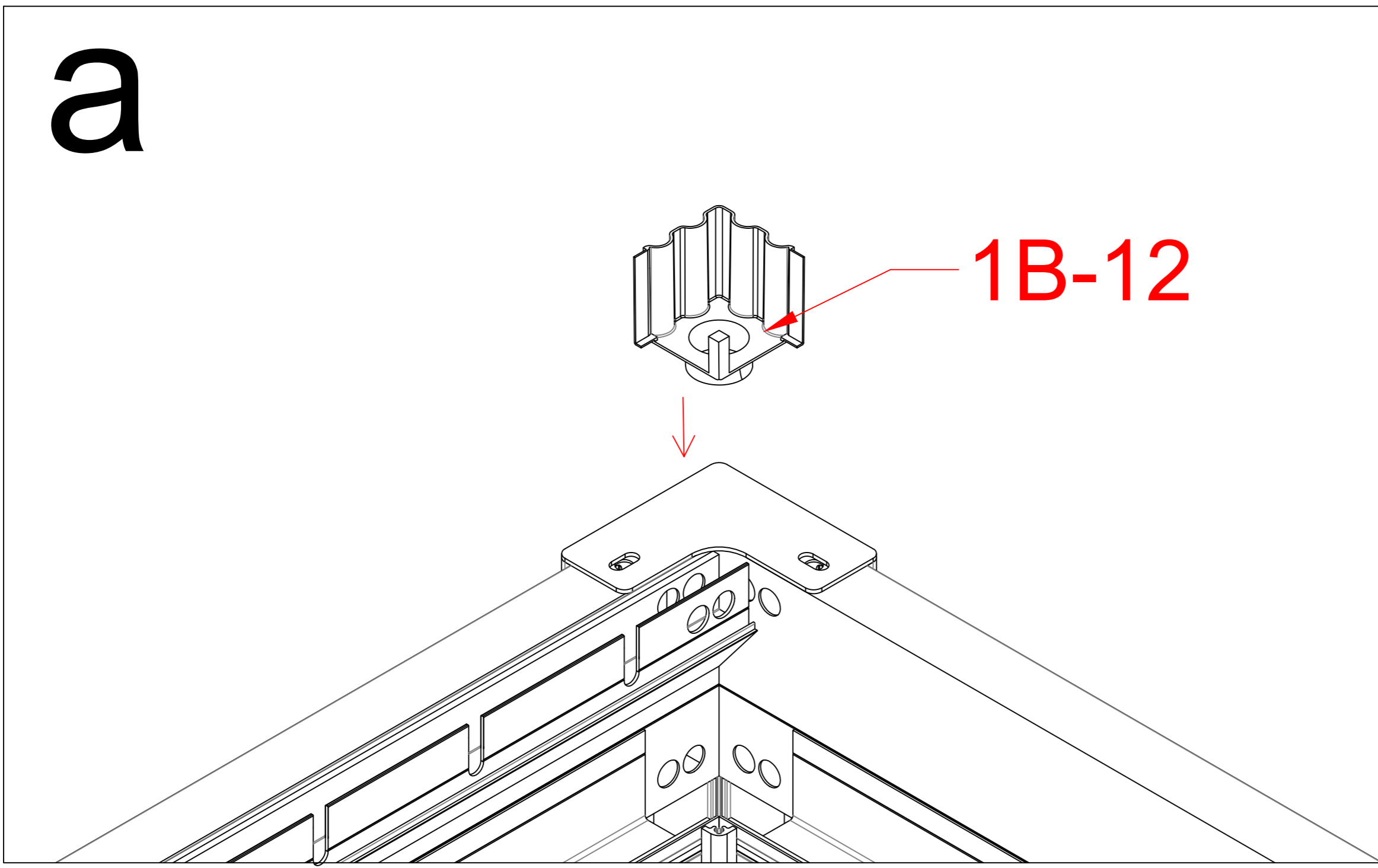
**Warning:**  
Before installation, tear off the protective film of the tape on the back side of Gutter.

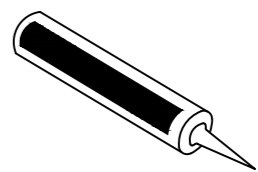
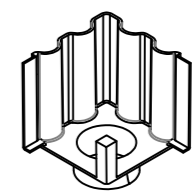


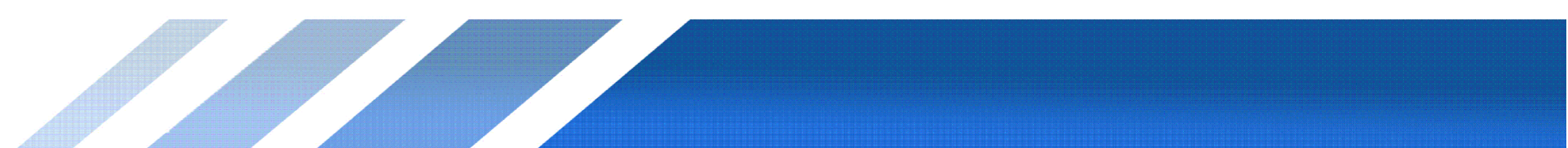
4screws/3m side  
5screws/4m side

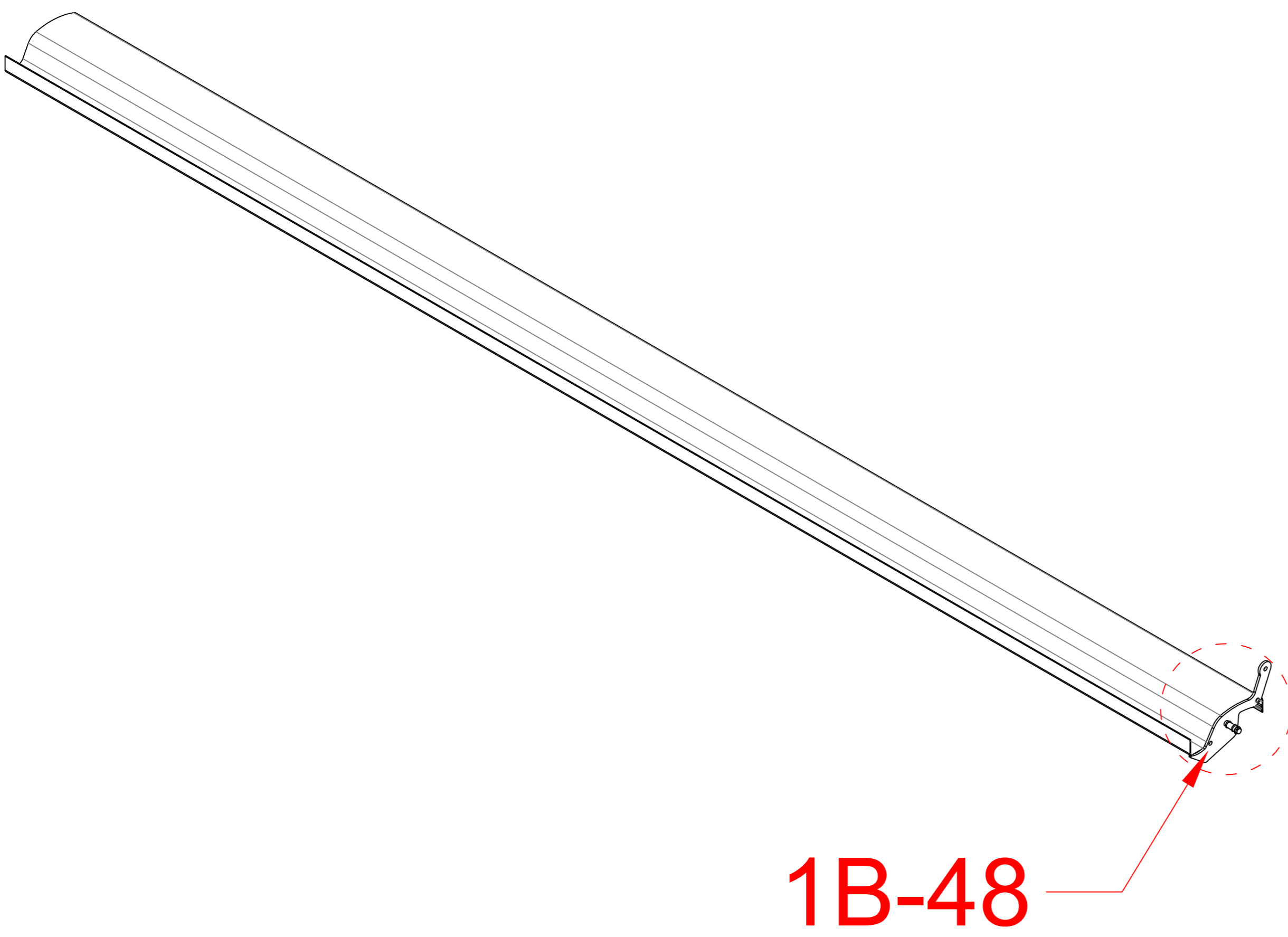
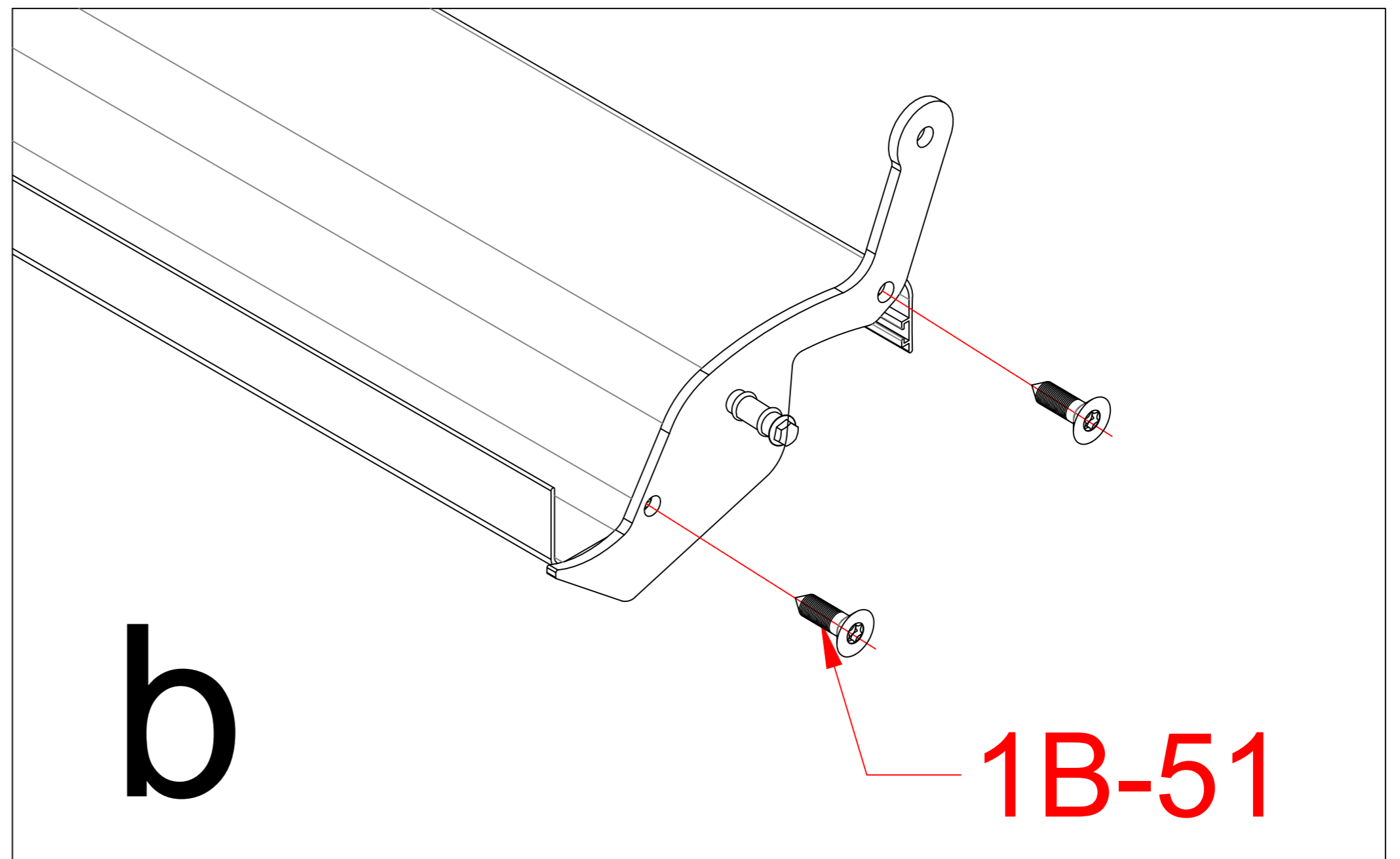
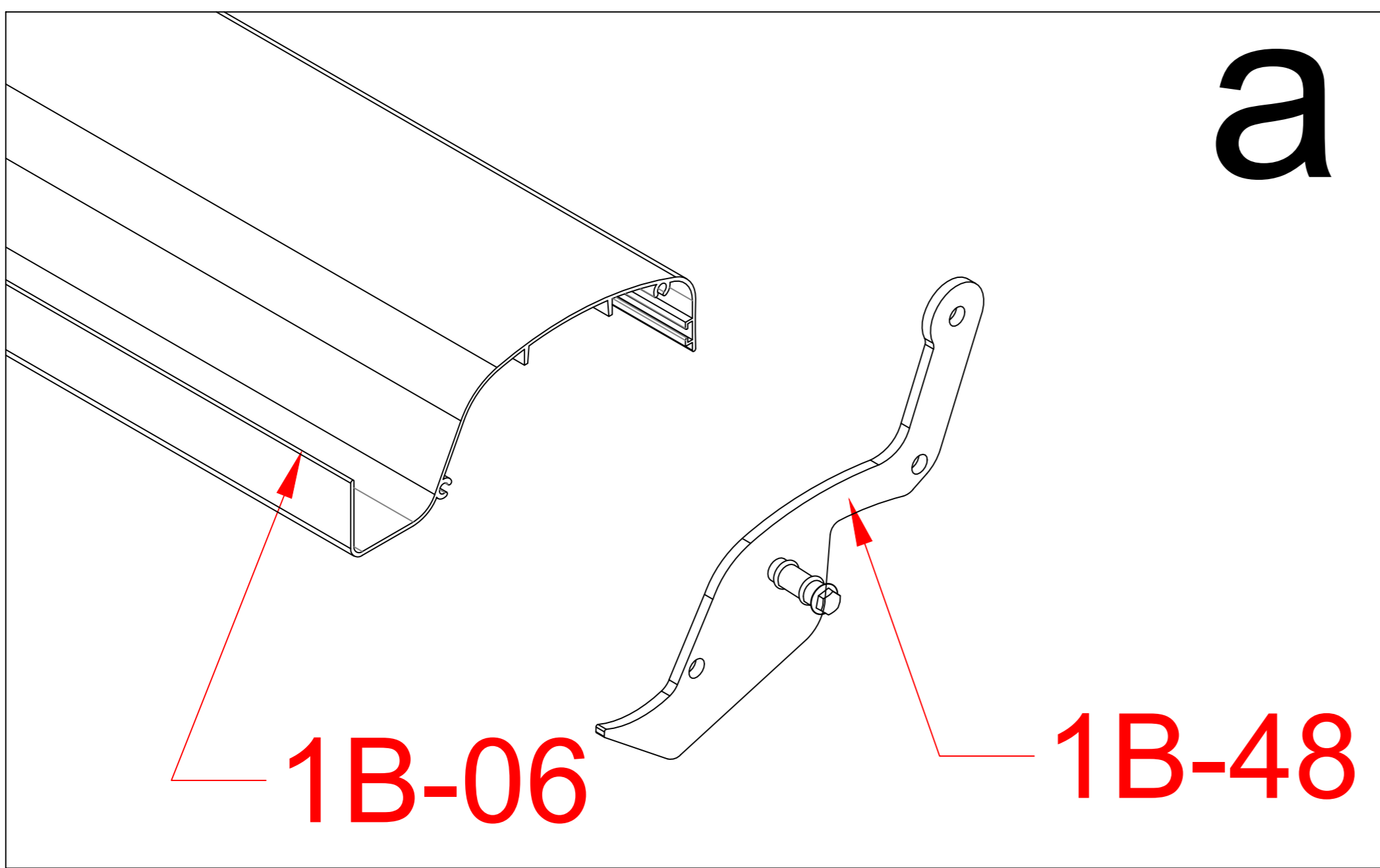
1B-24		1
1B-05		2
1B-23		8



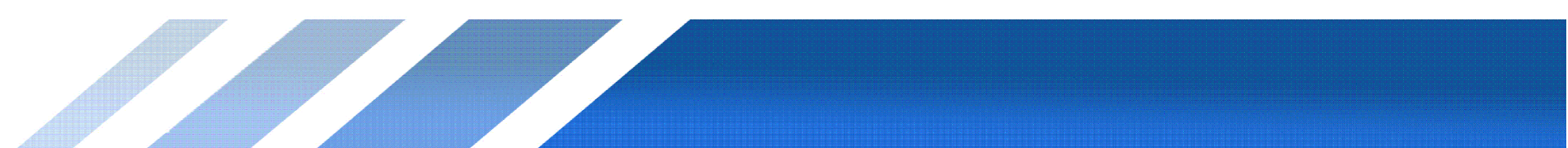


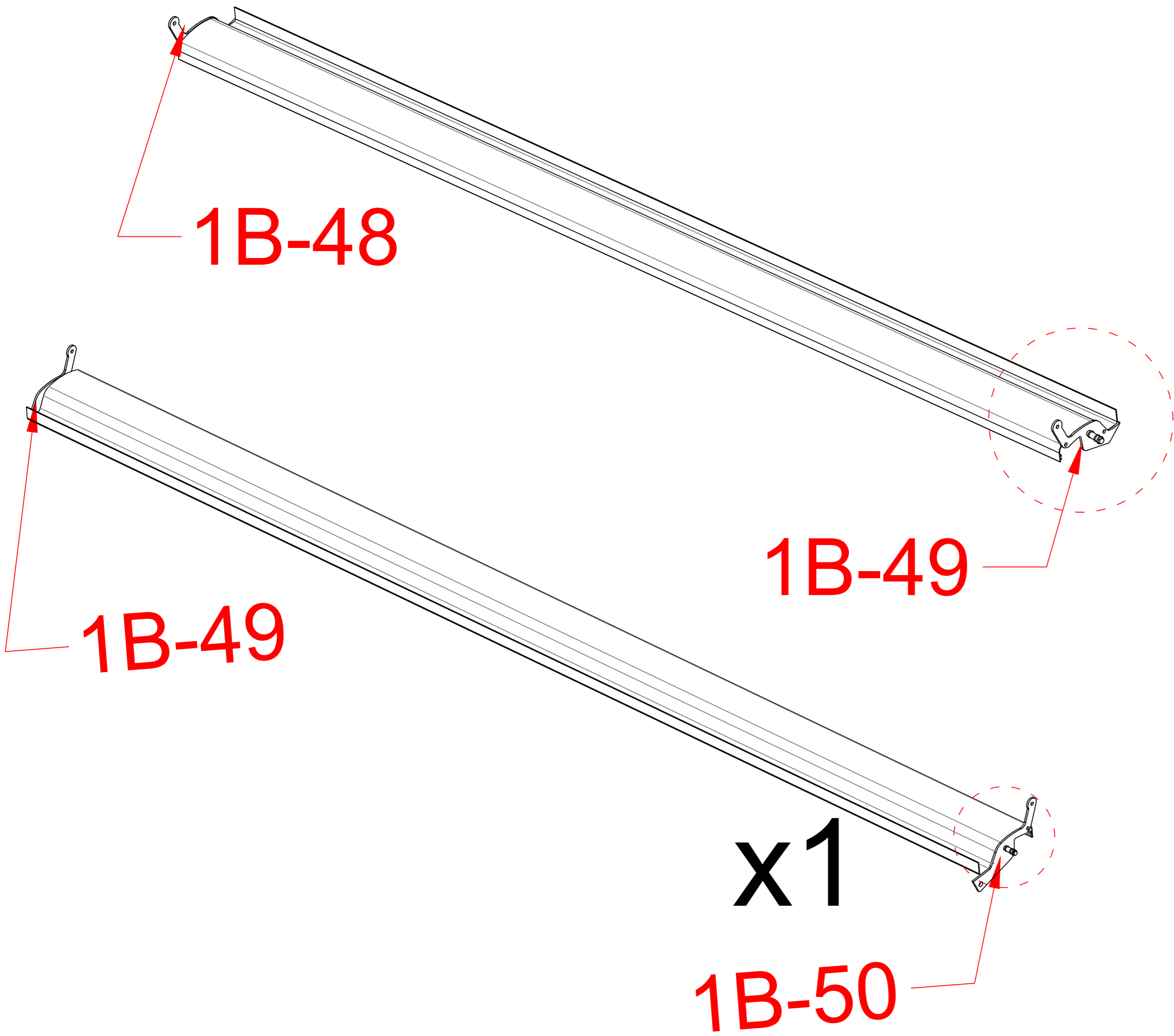
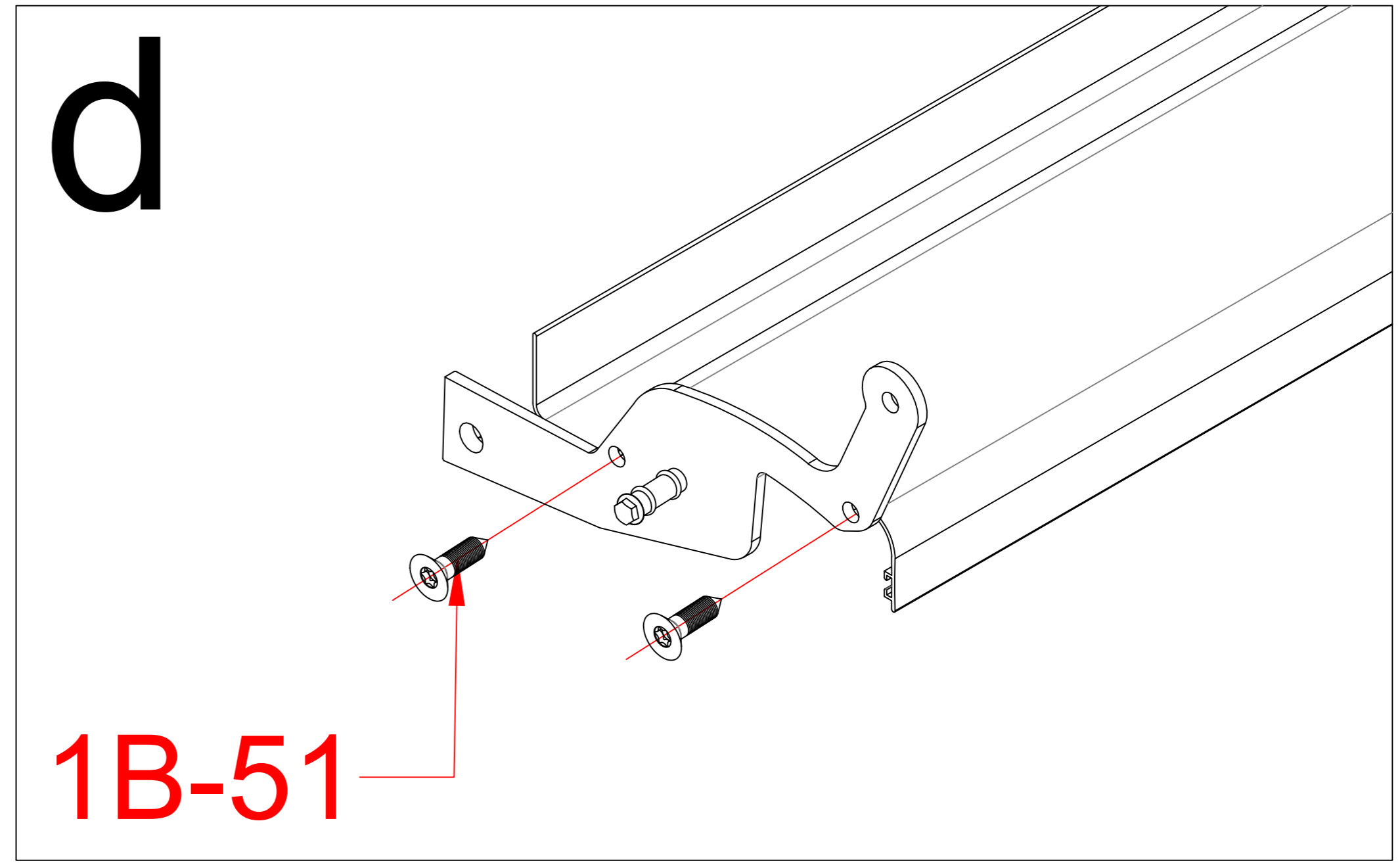
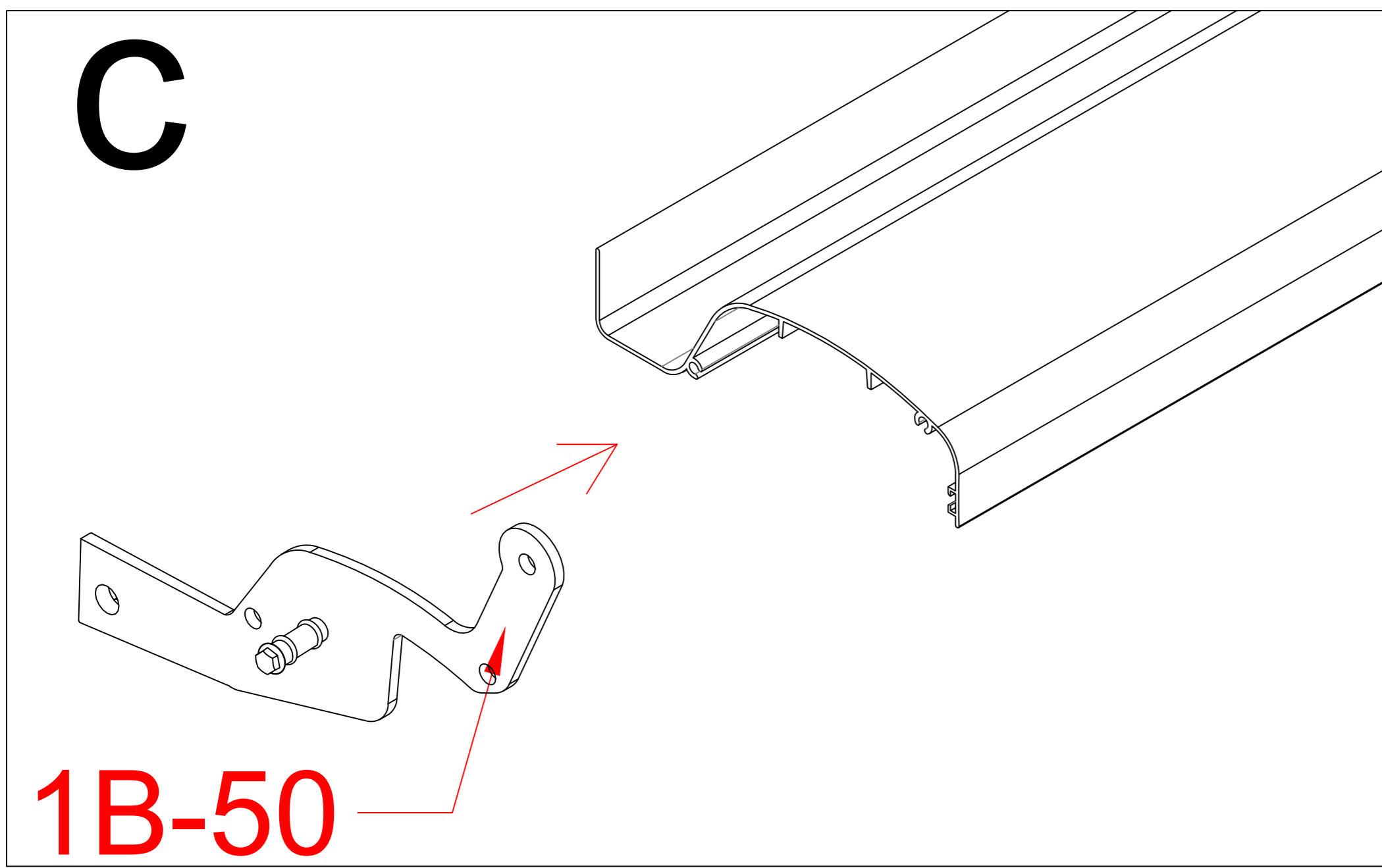
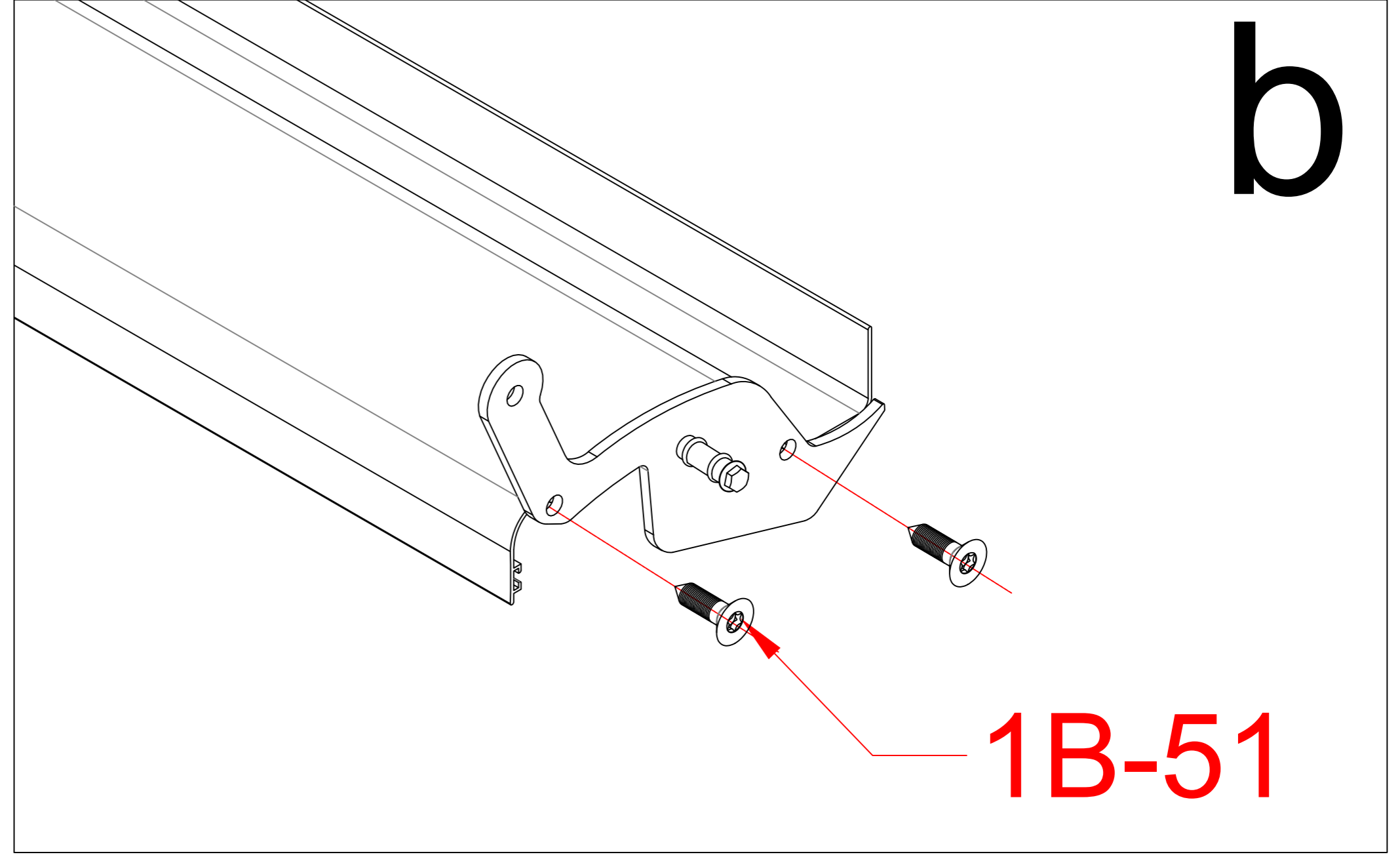
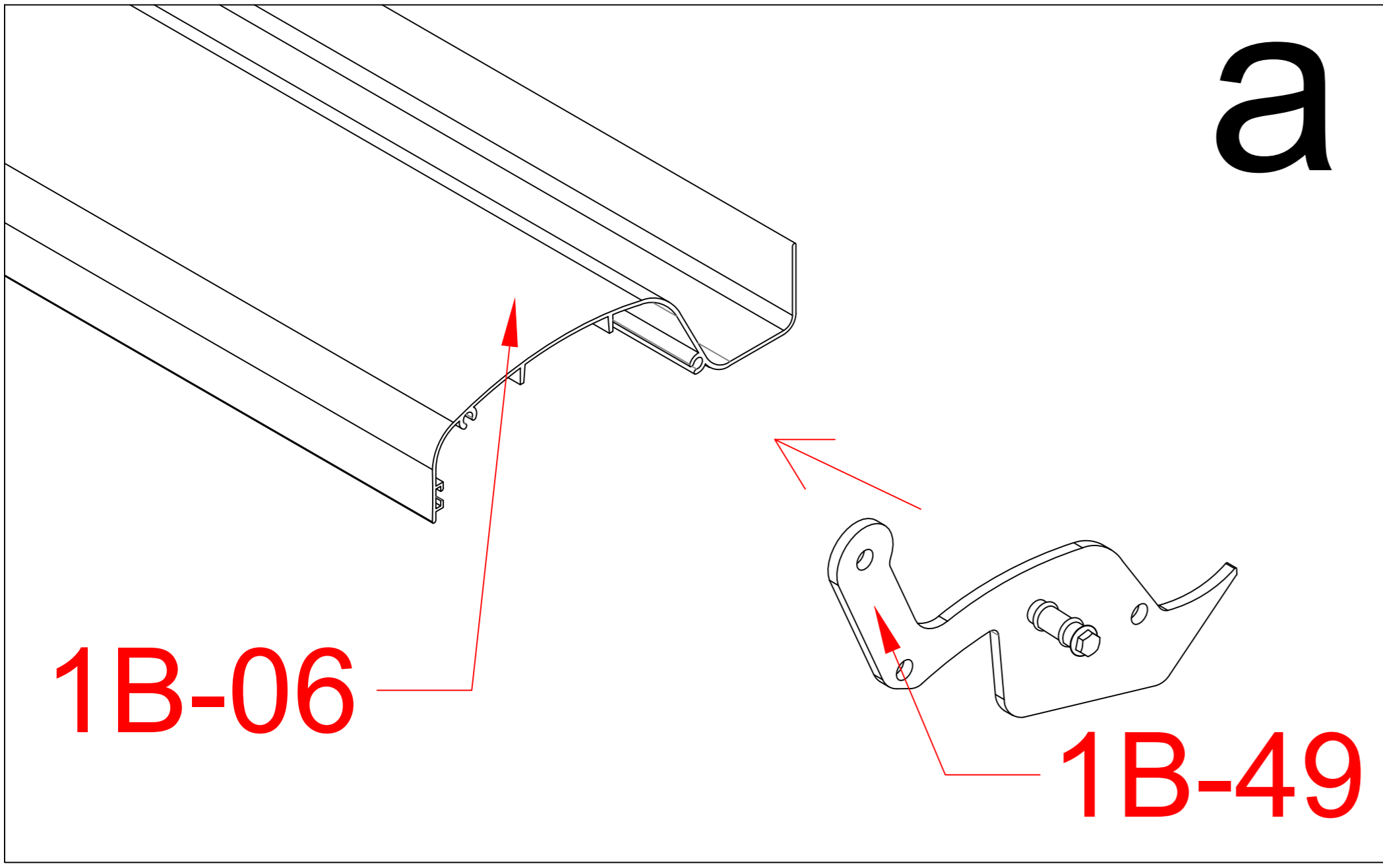
1B-24		1
1B-12		2



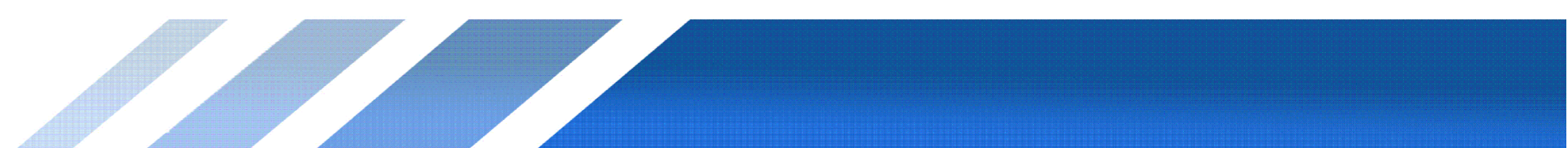


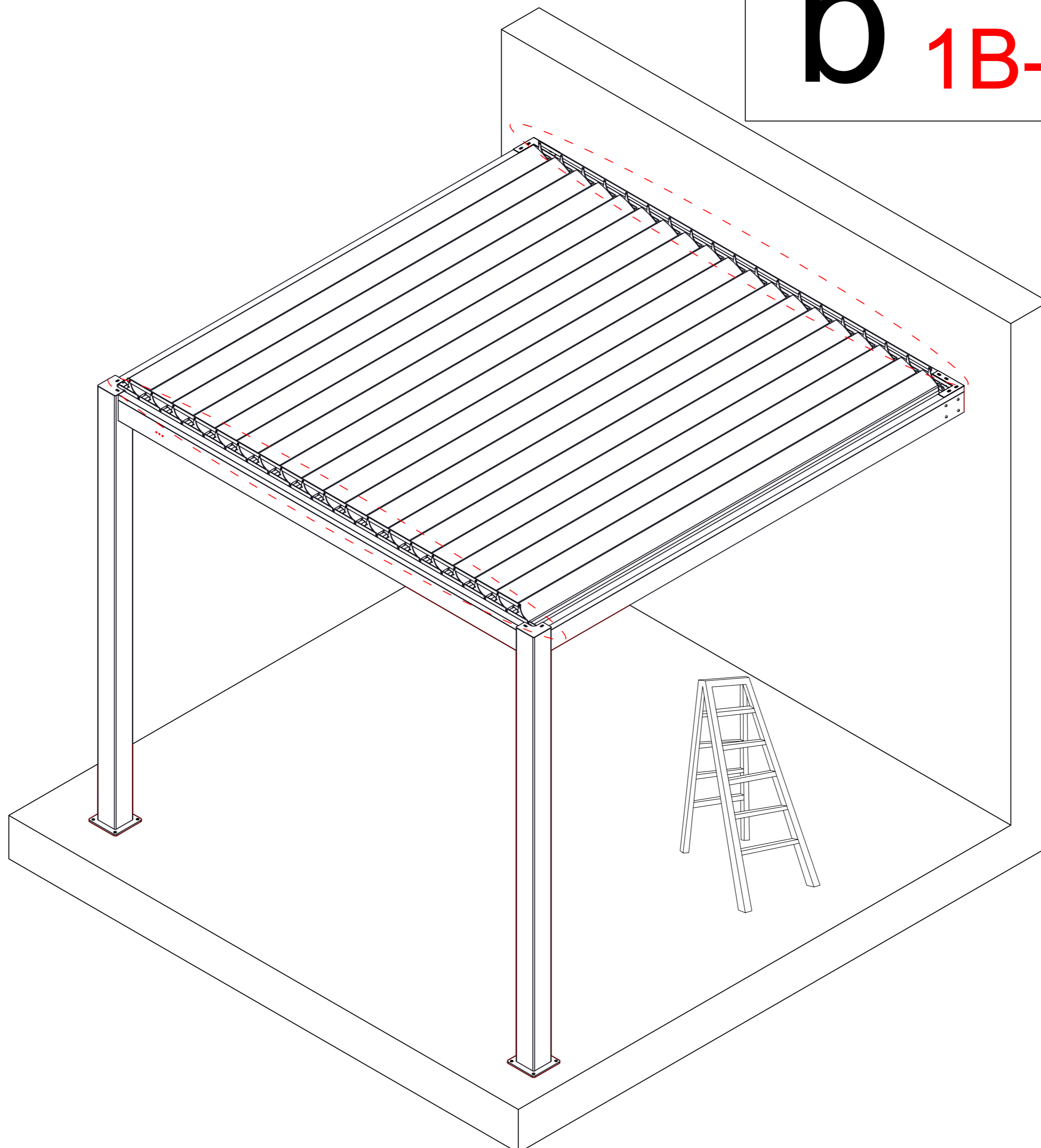
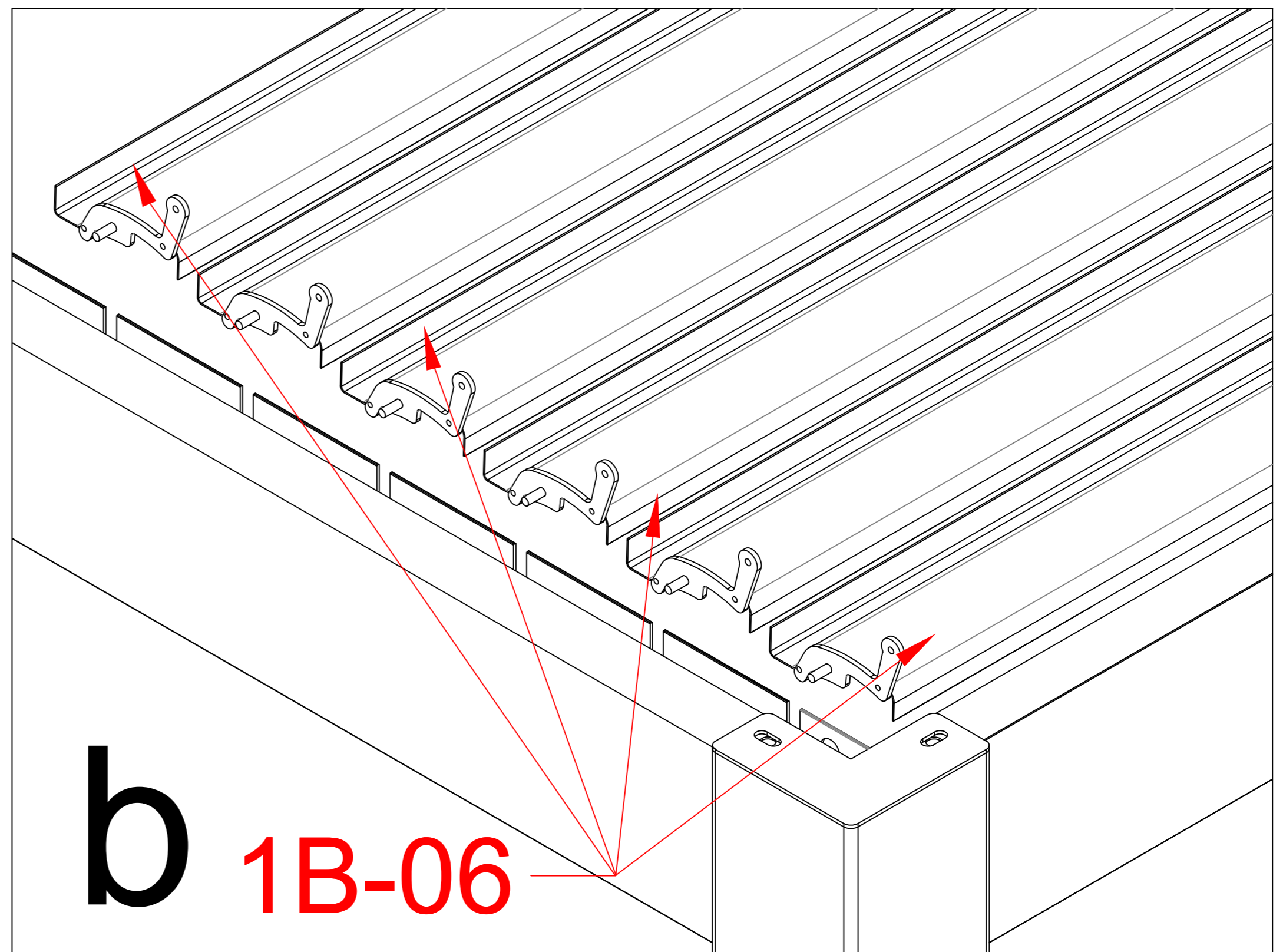
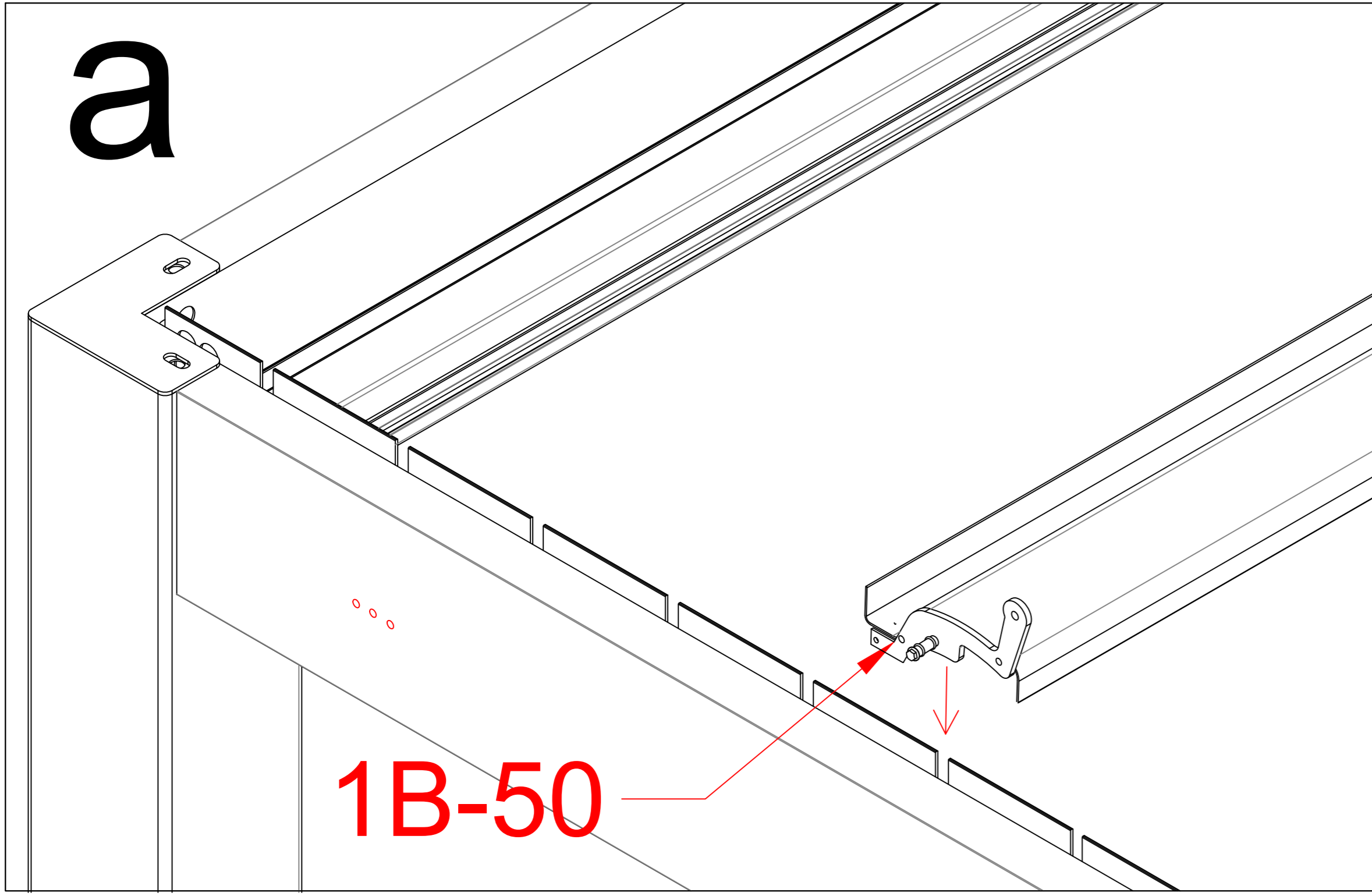
1B-64		1
1B-51	 M3.5*25	46
1B-06		24
1B-48		23



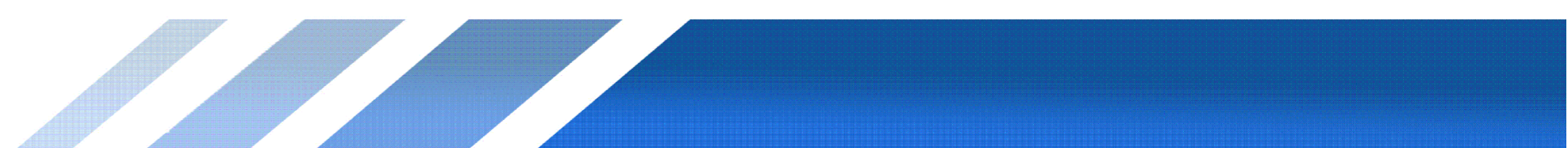


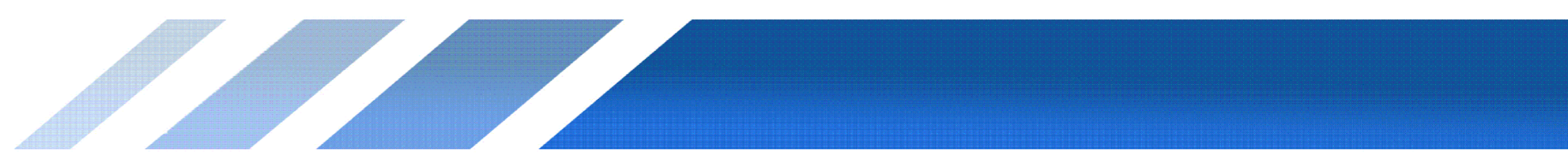
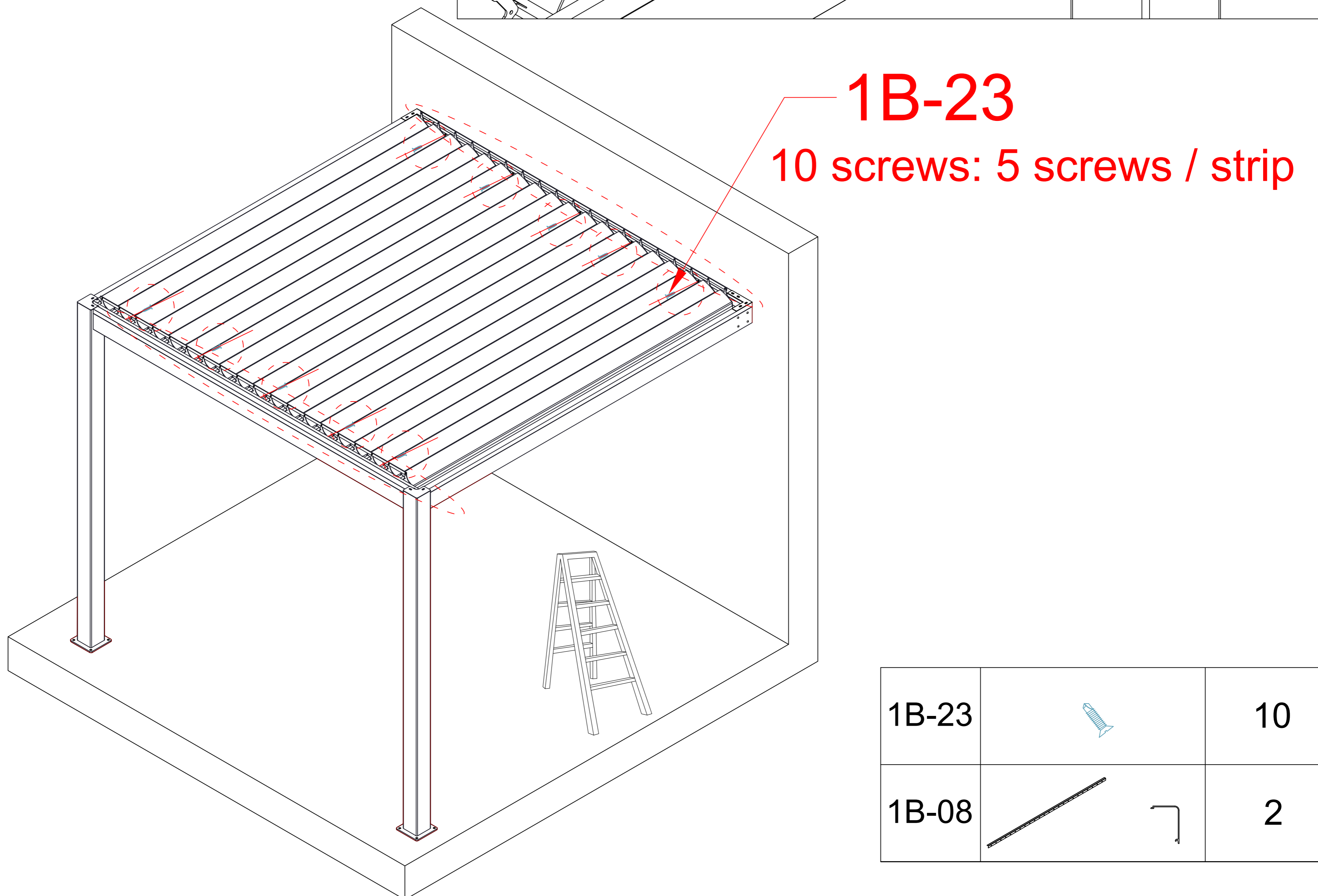
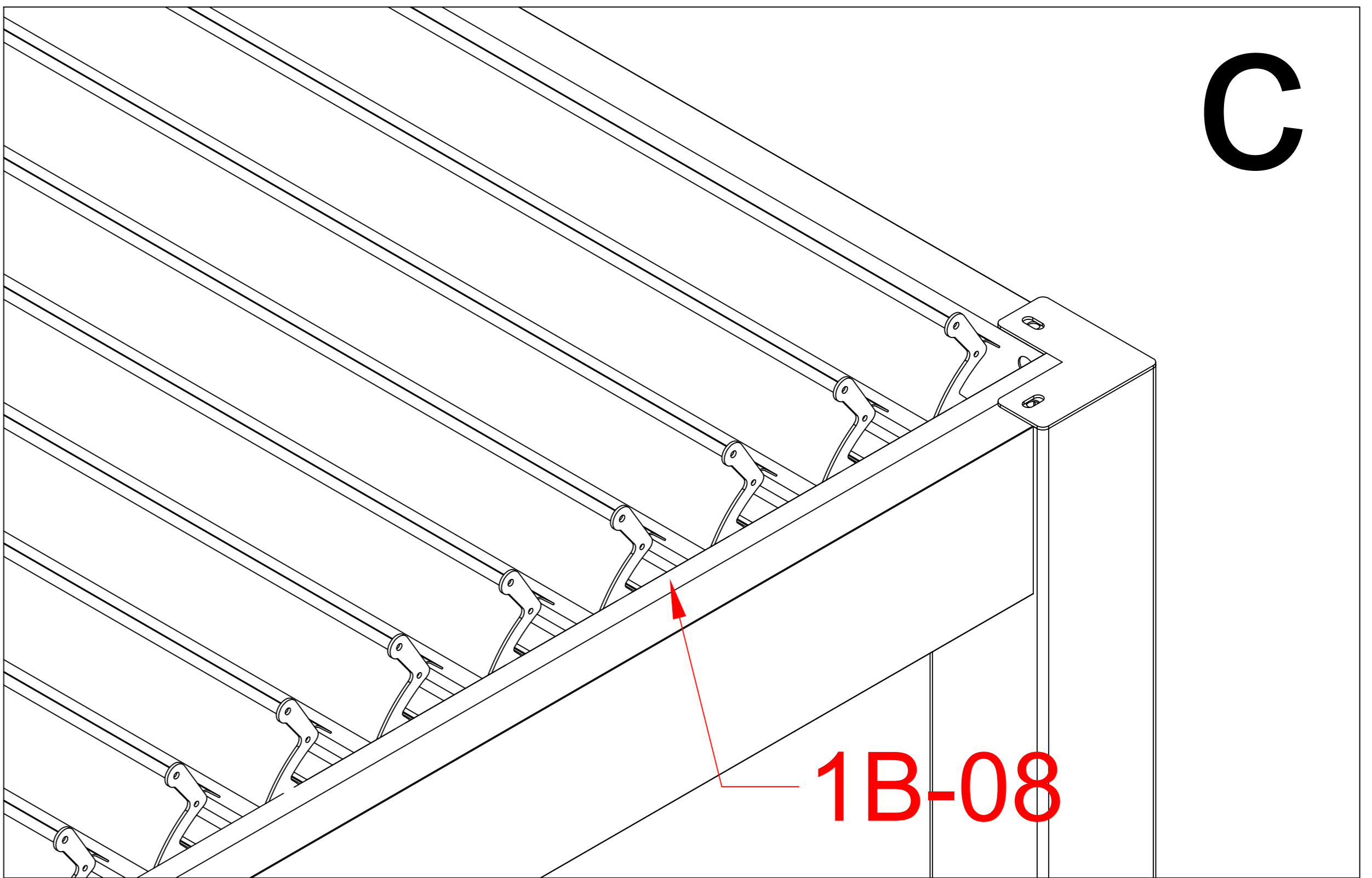
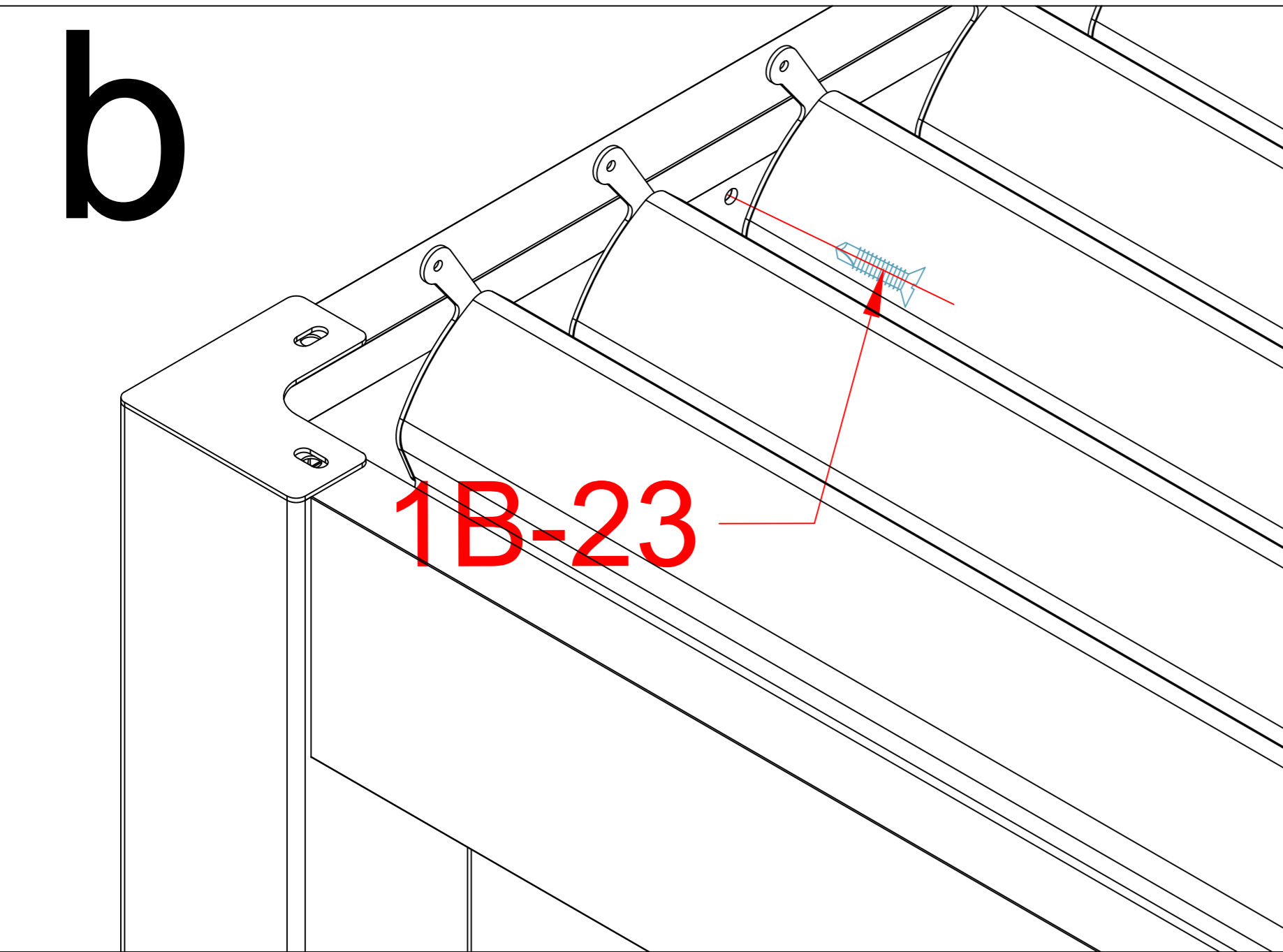
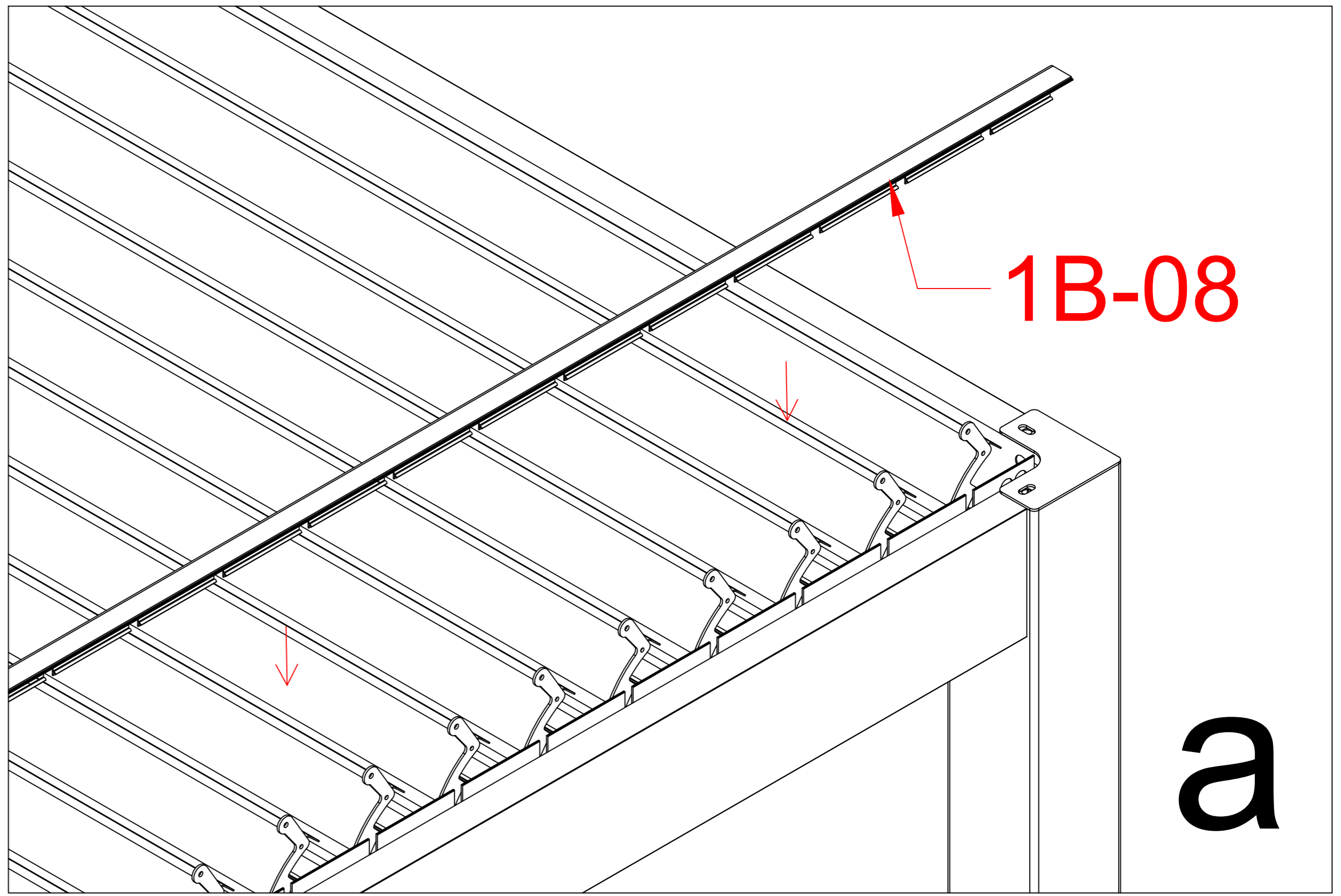
1B-49		24
1B-50		1
1B-51	 M3.5*25	50
1B-64		1

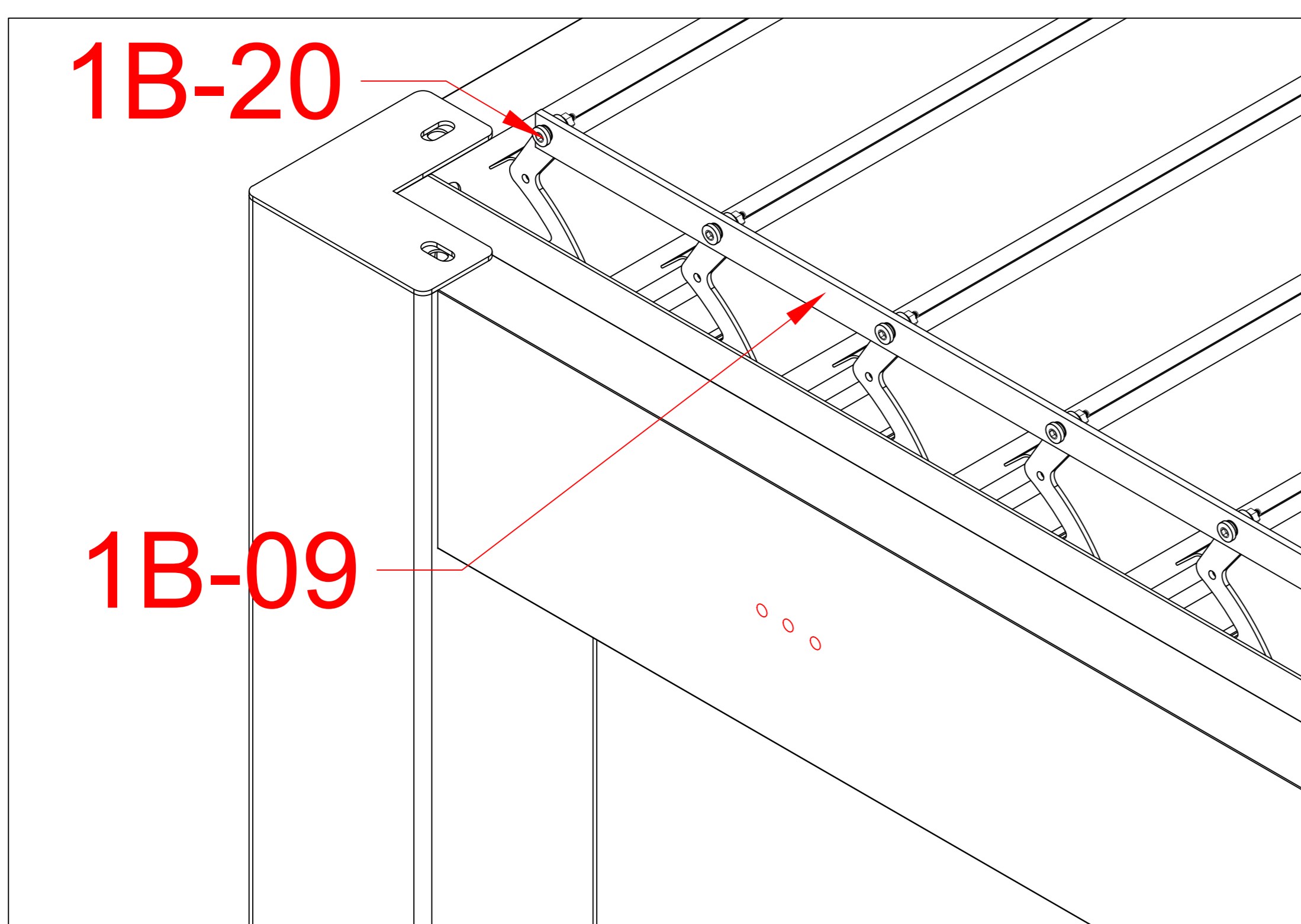
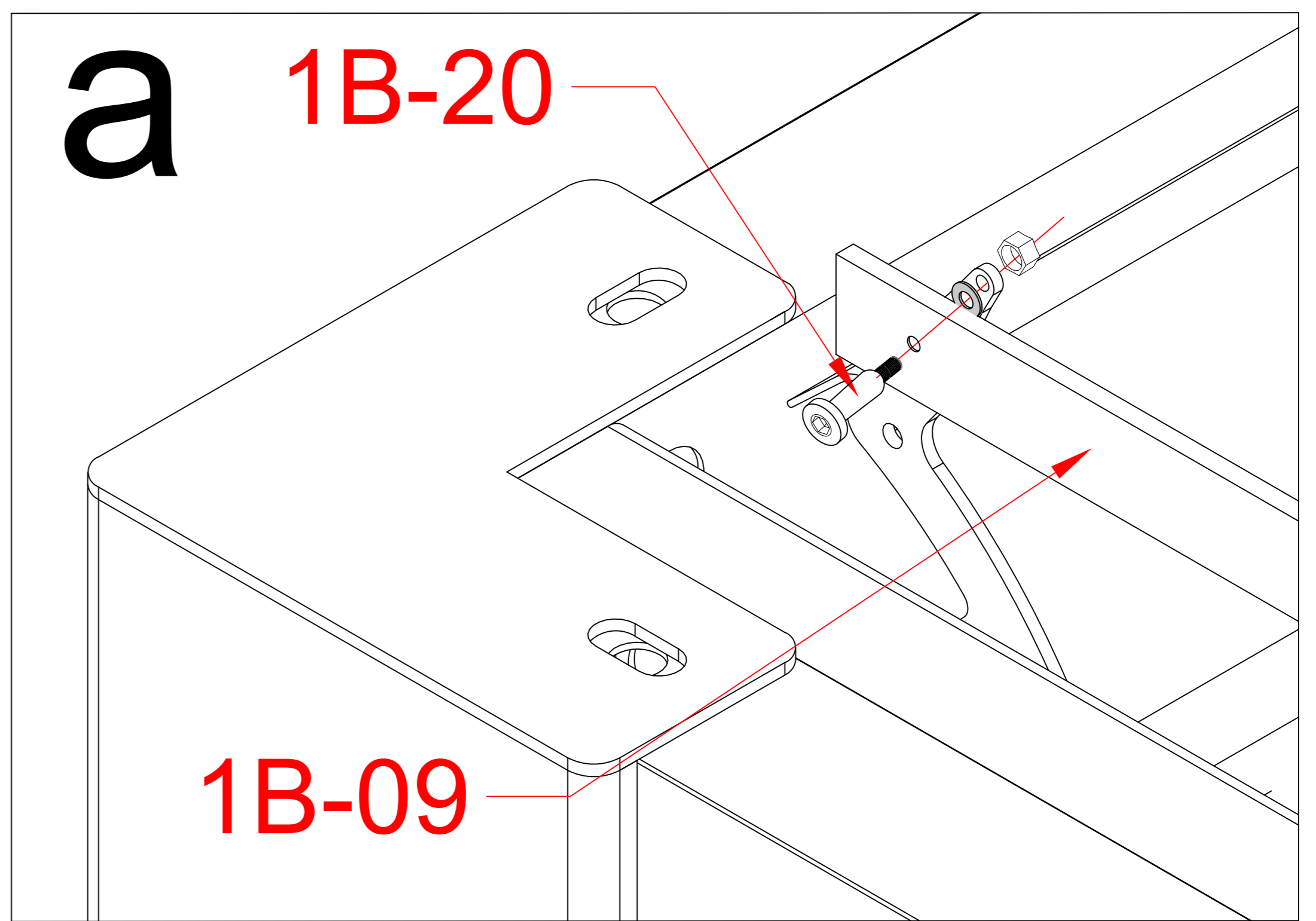




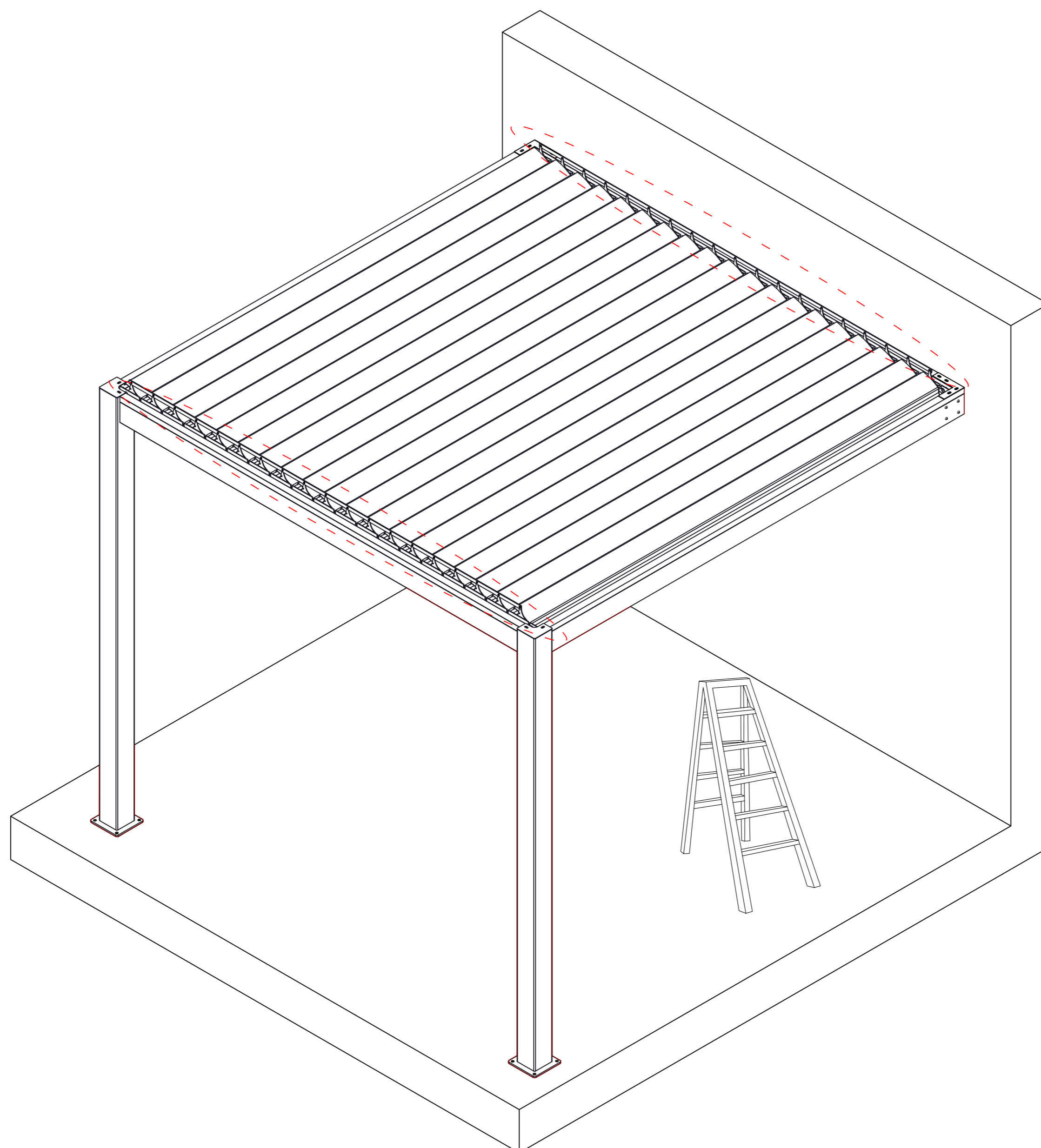
1B-06		X
-------	--	---







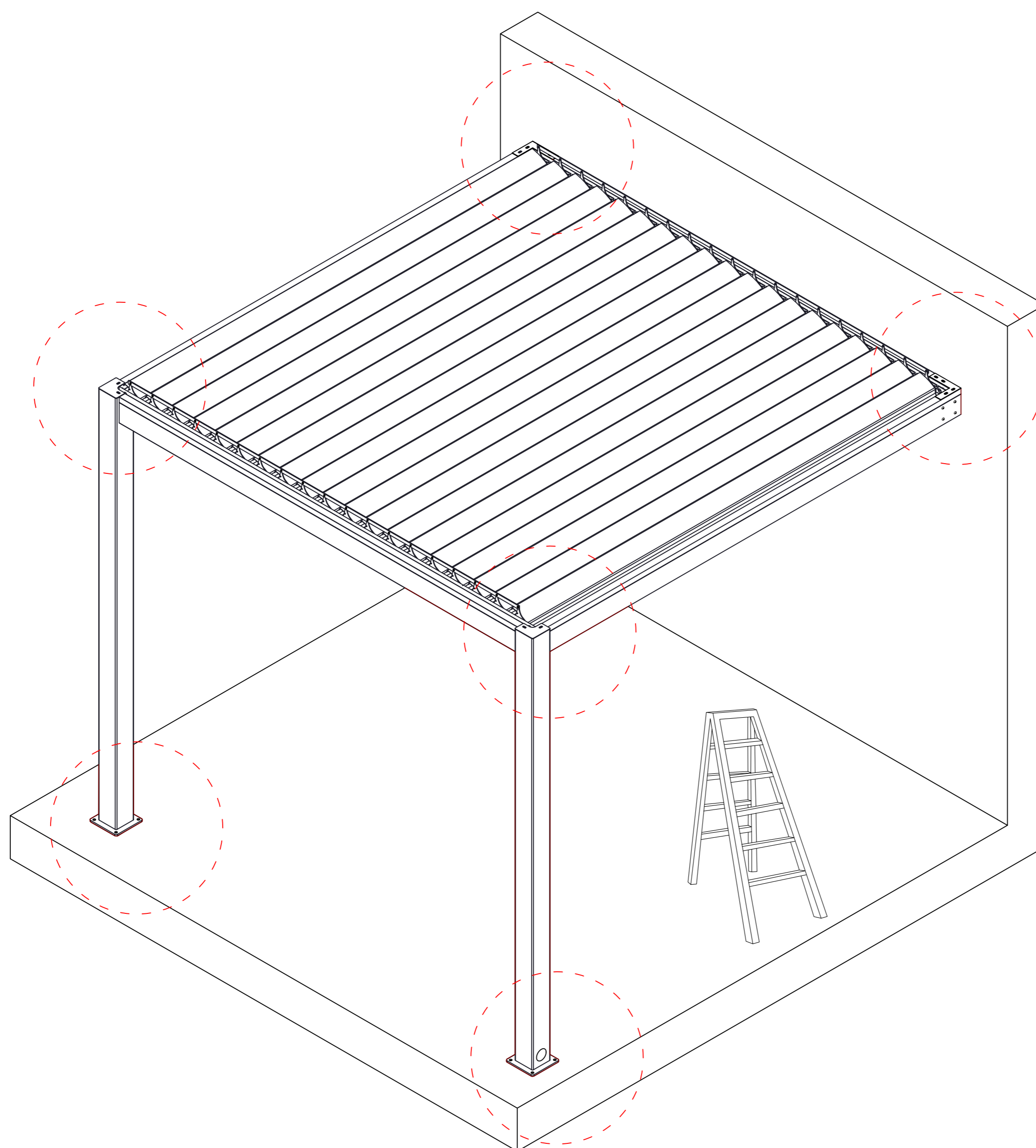
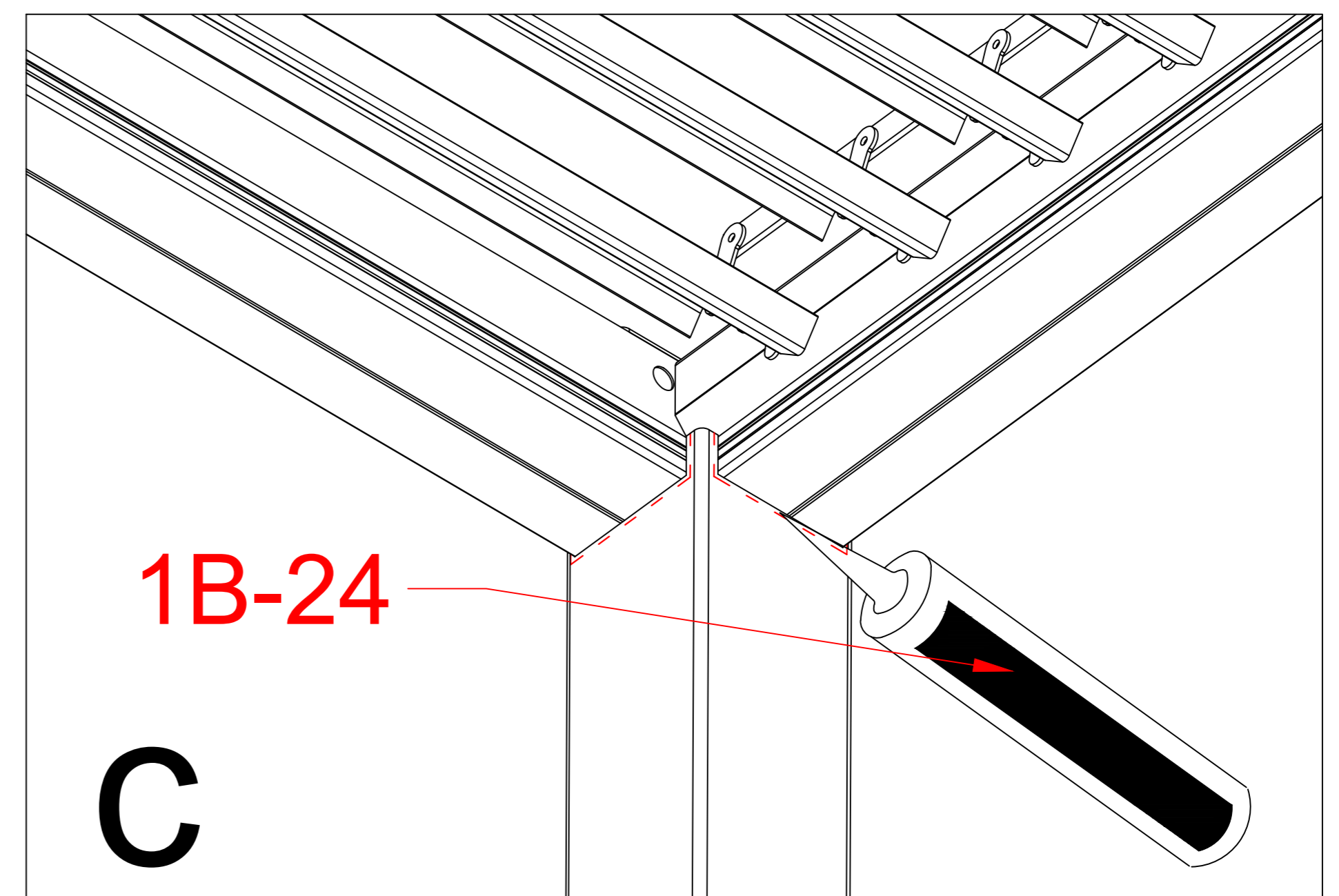
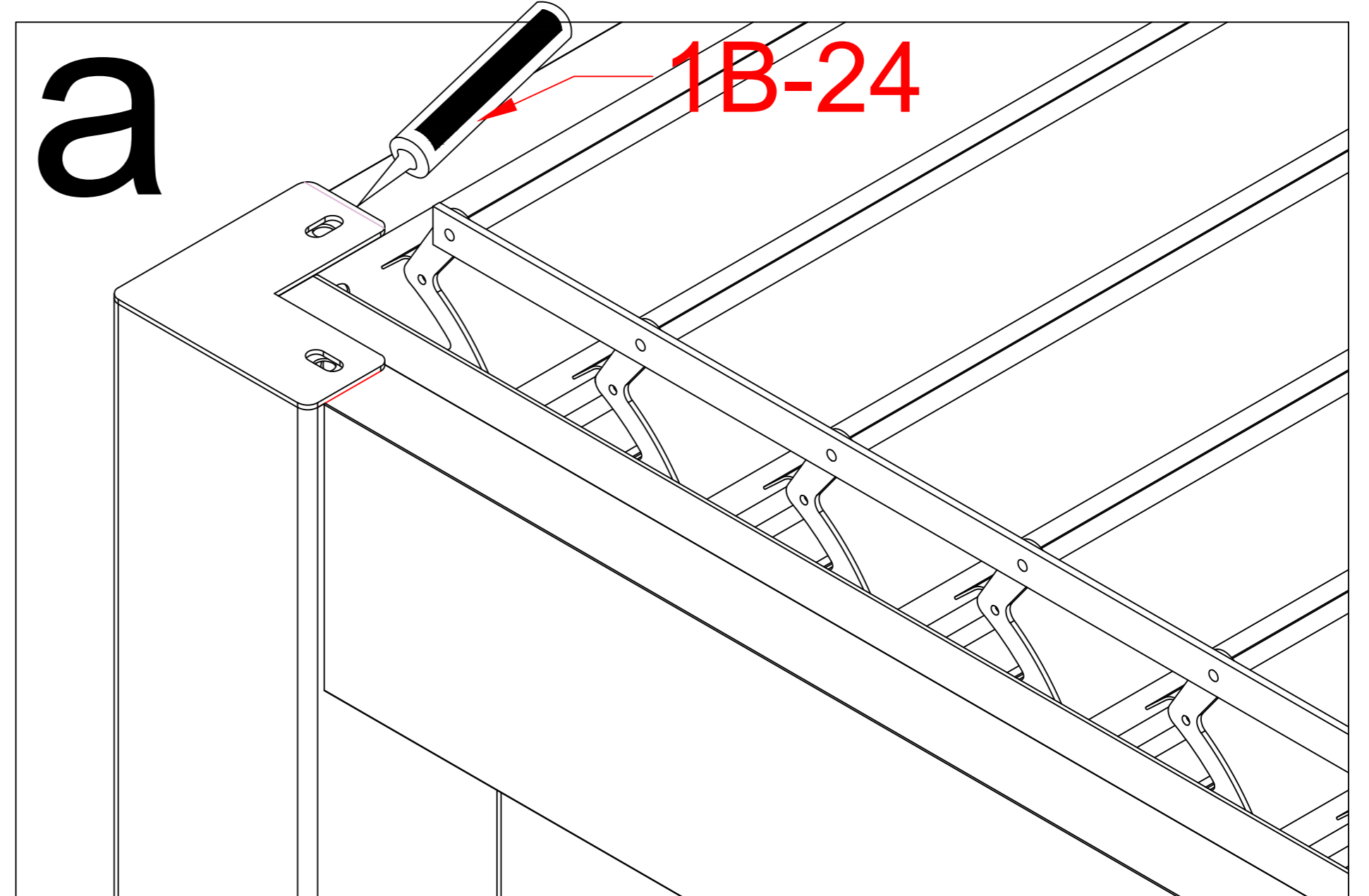
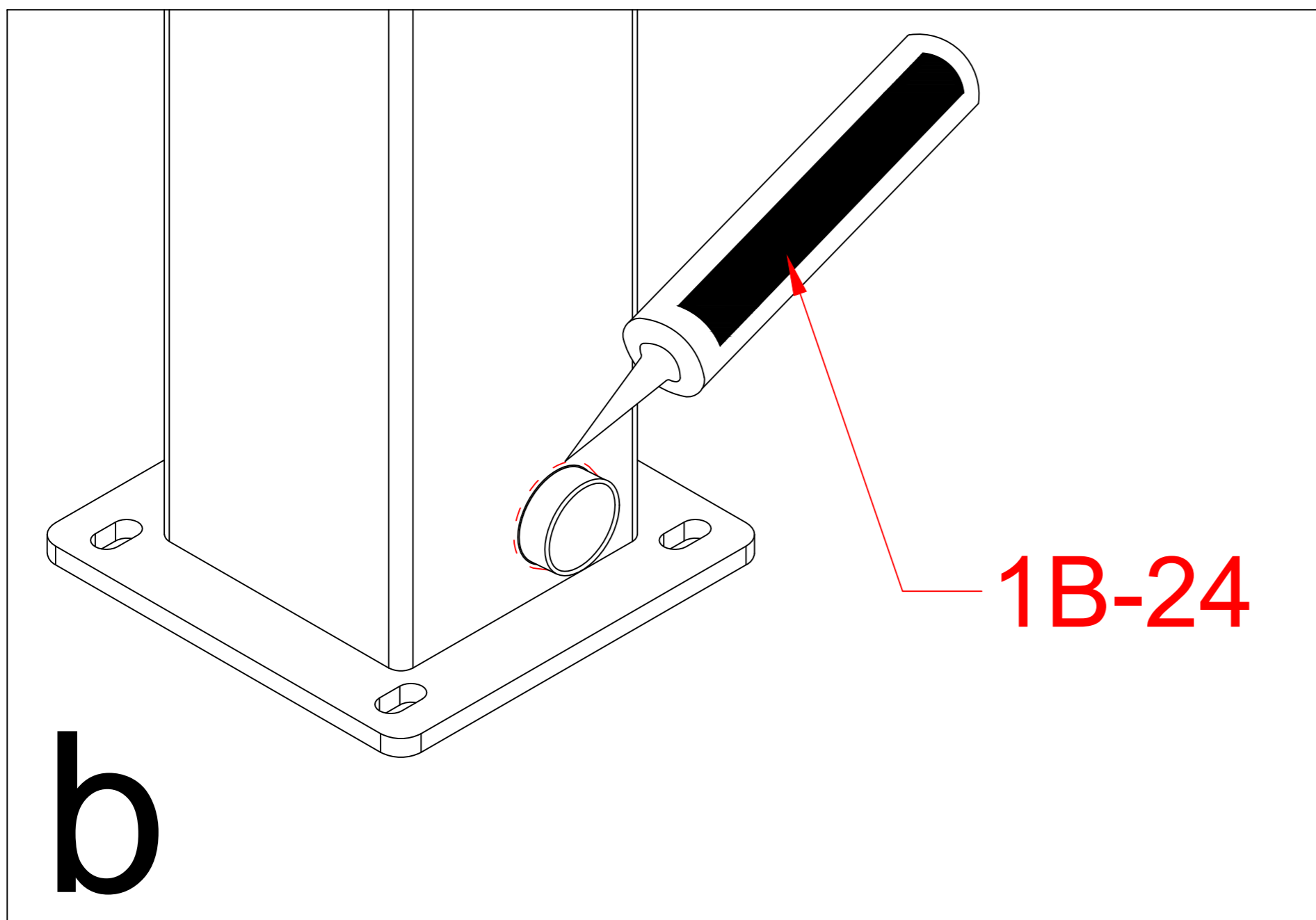
**b**

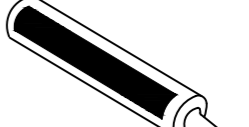


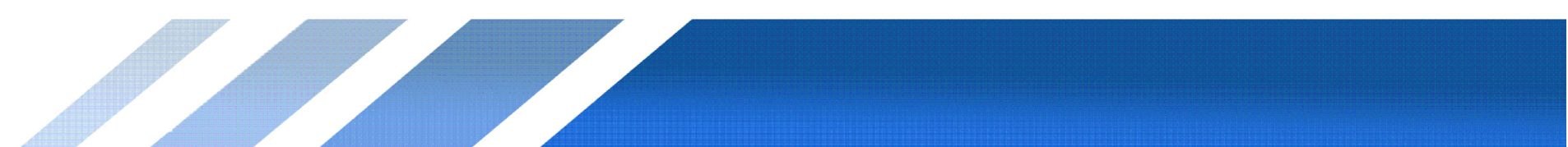
1B-09		2
1B-20		X

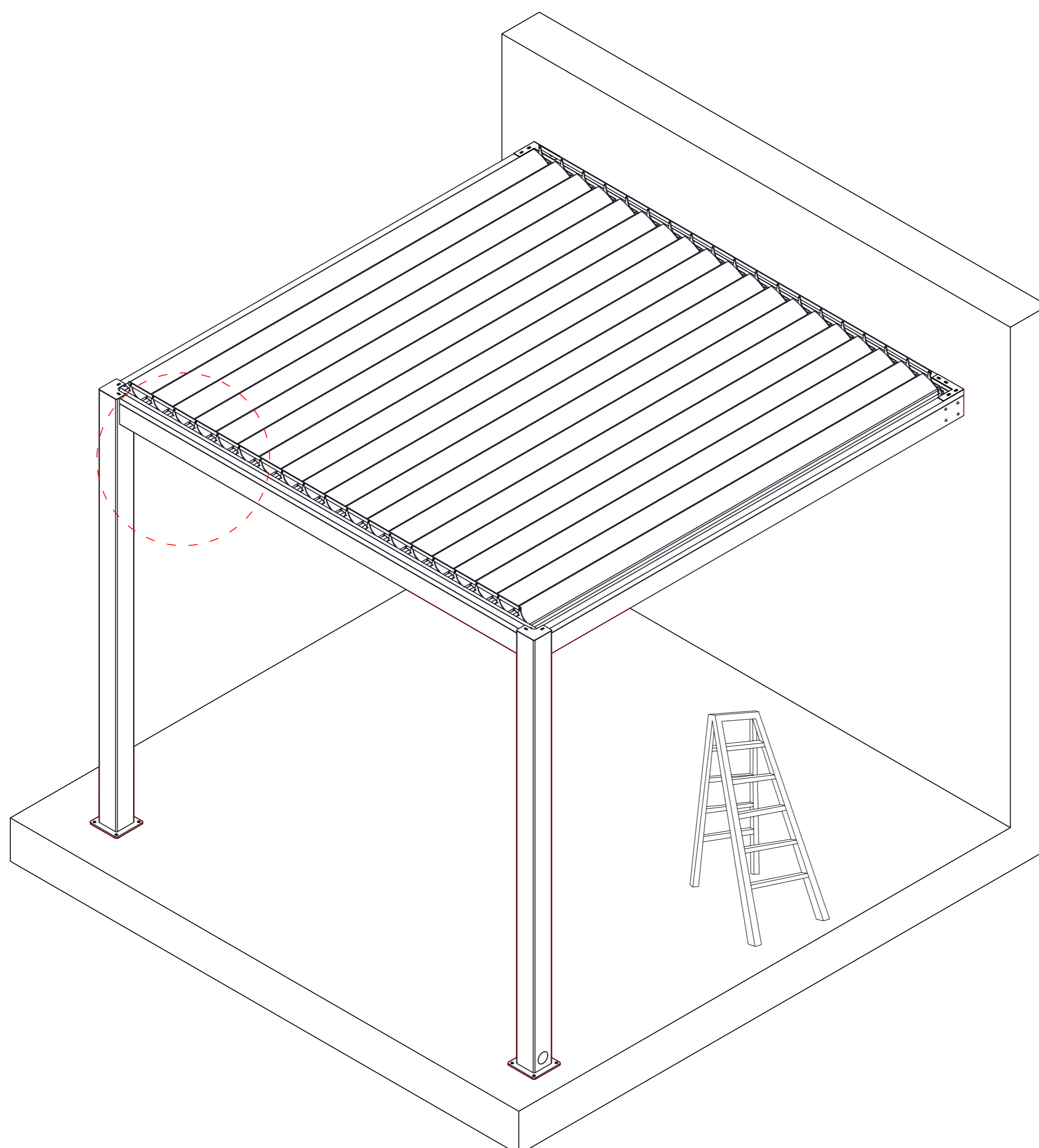
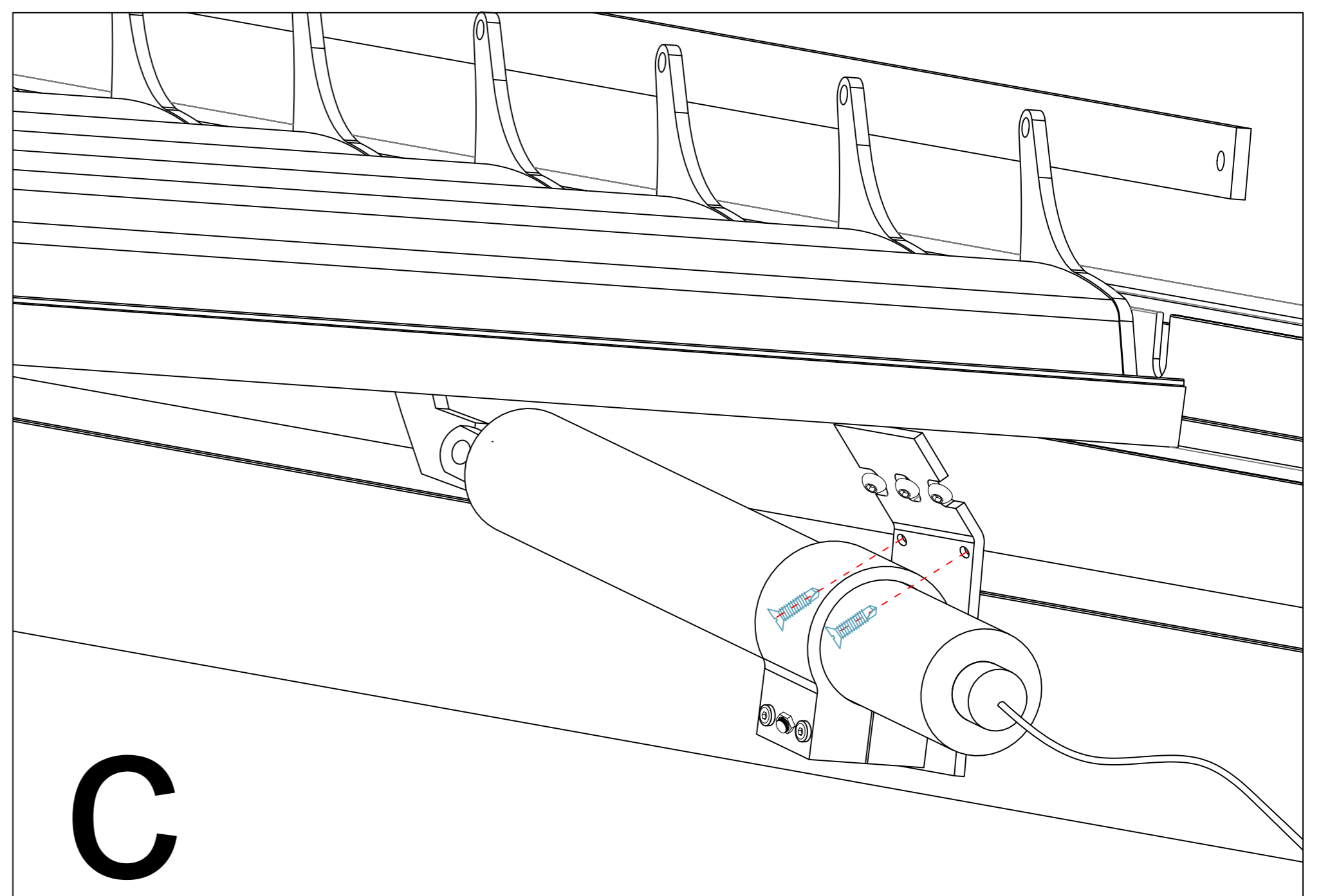
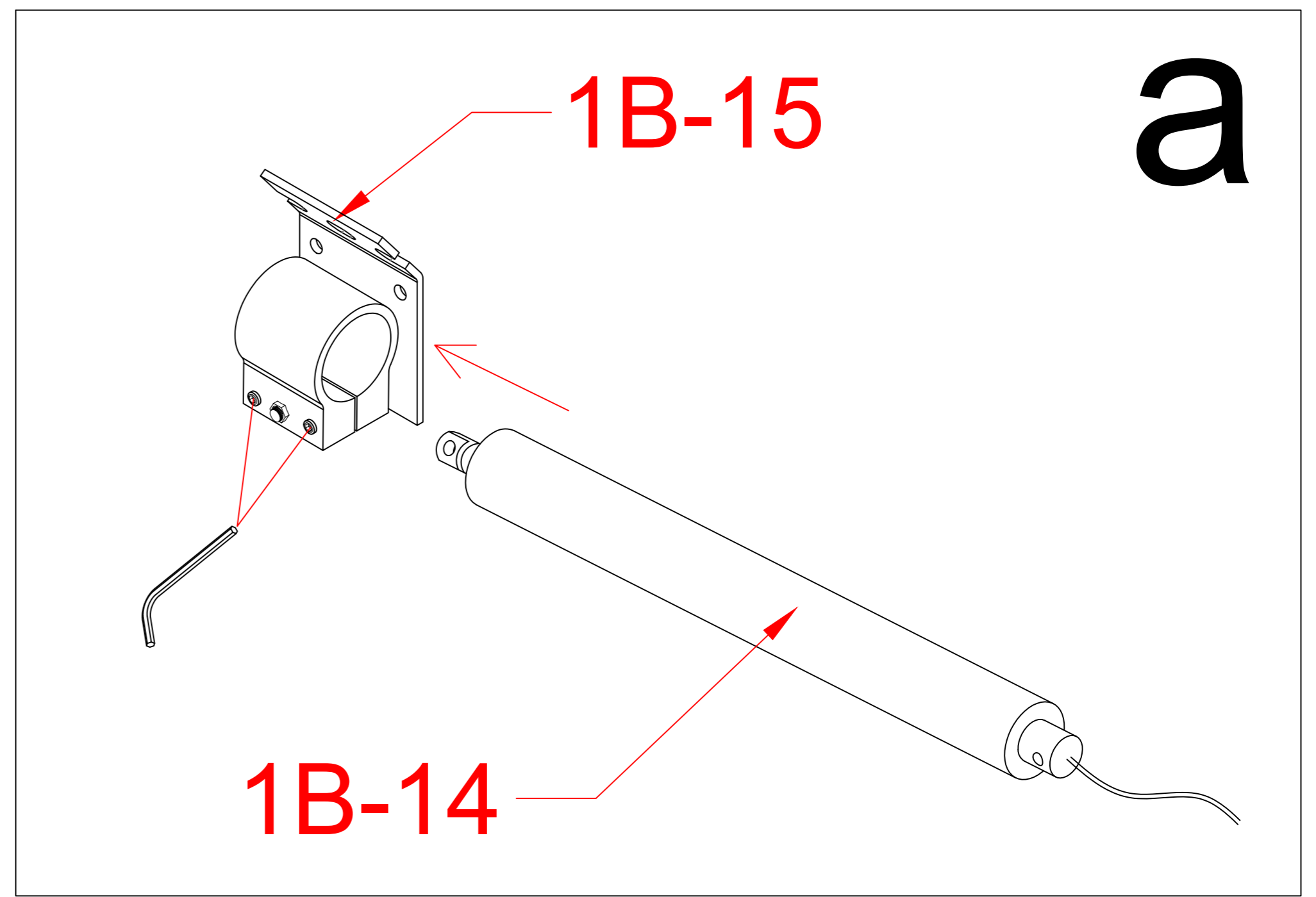
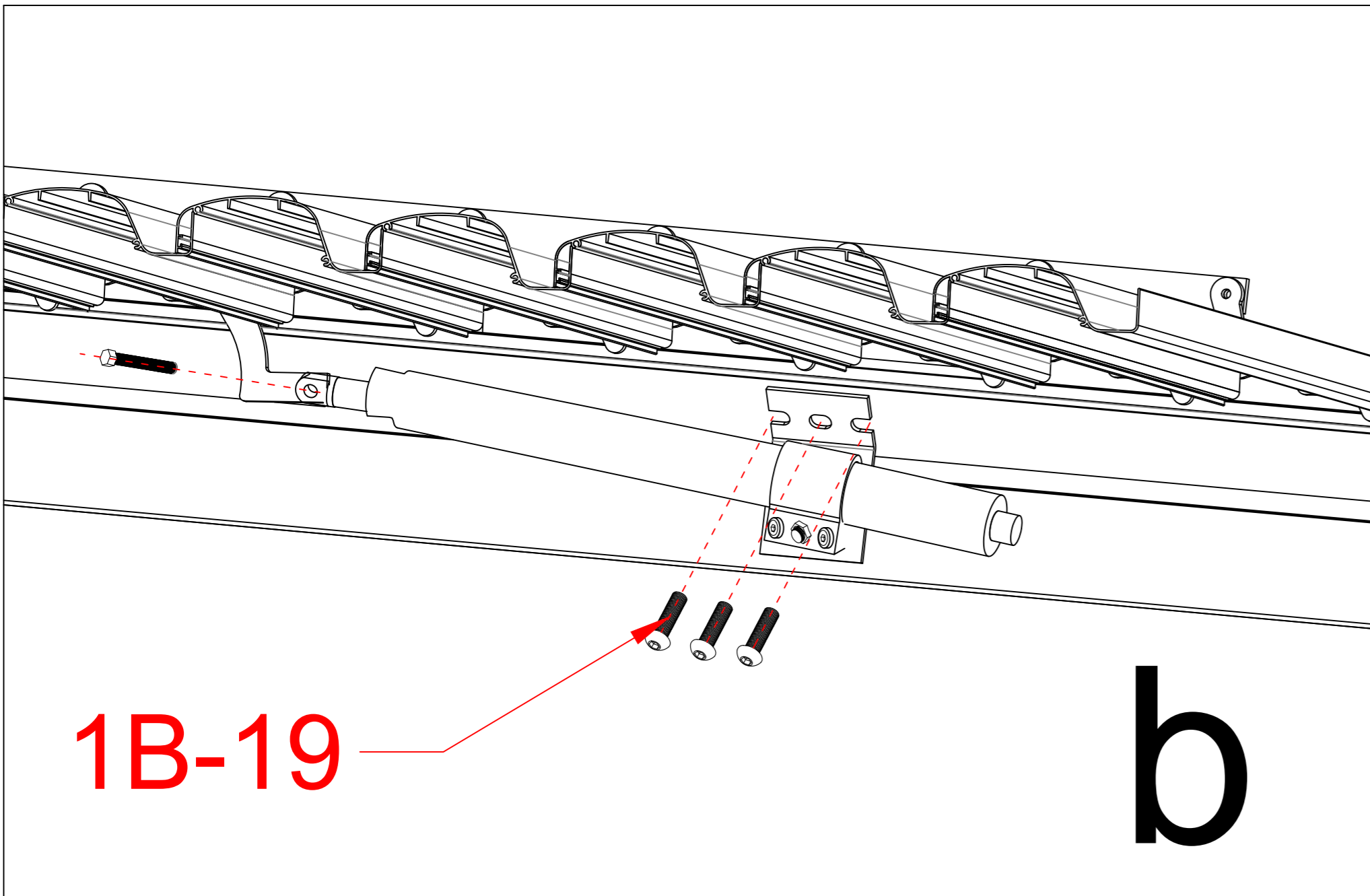




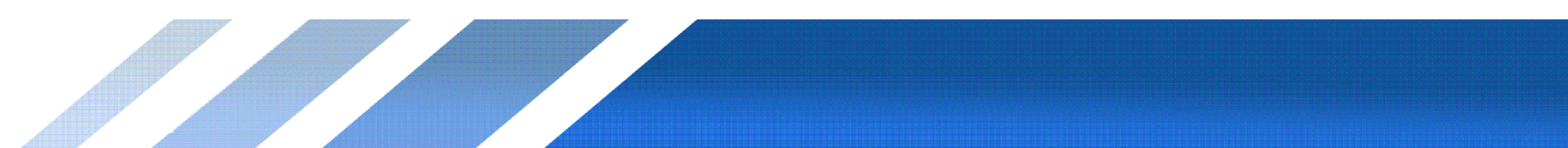


1B-24		1
-------	---	---



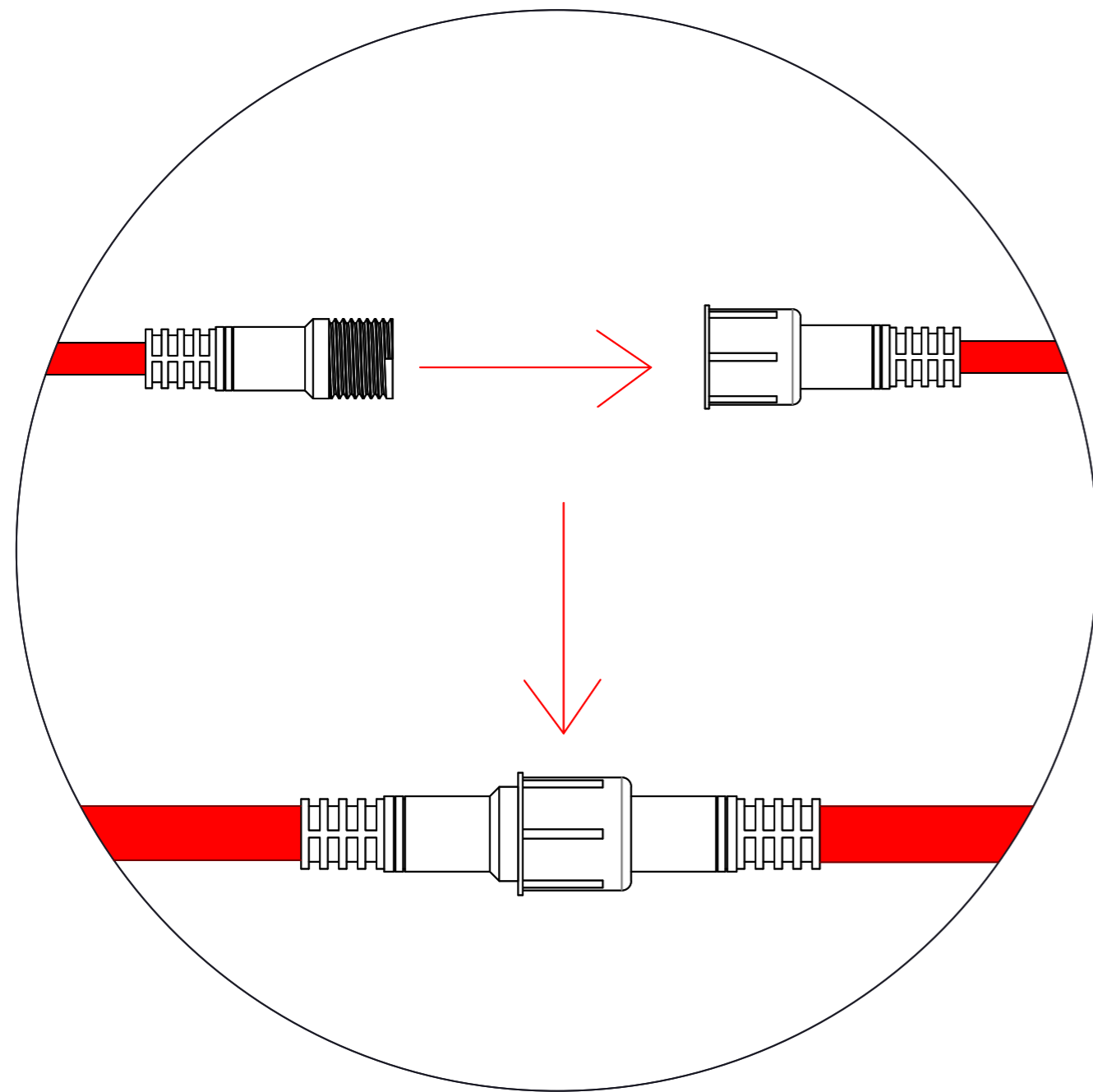
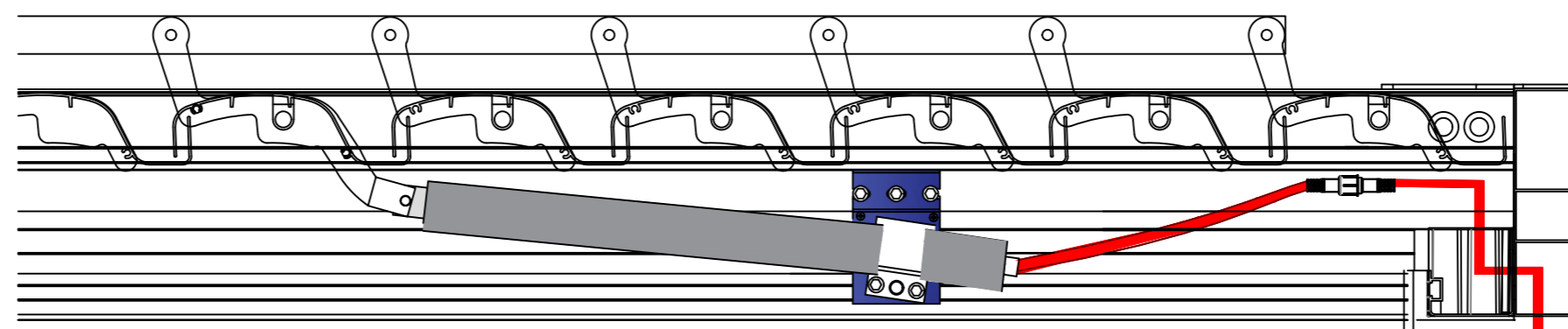


1B-14		1
1B-15		1
1B-19	 M8*20	3
1B-18		1





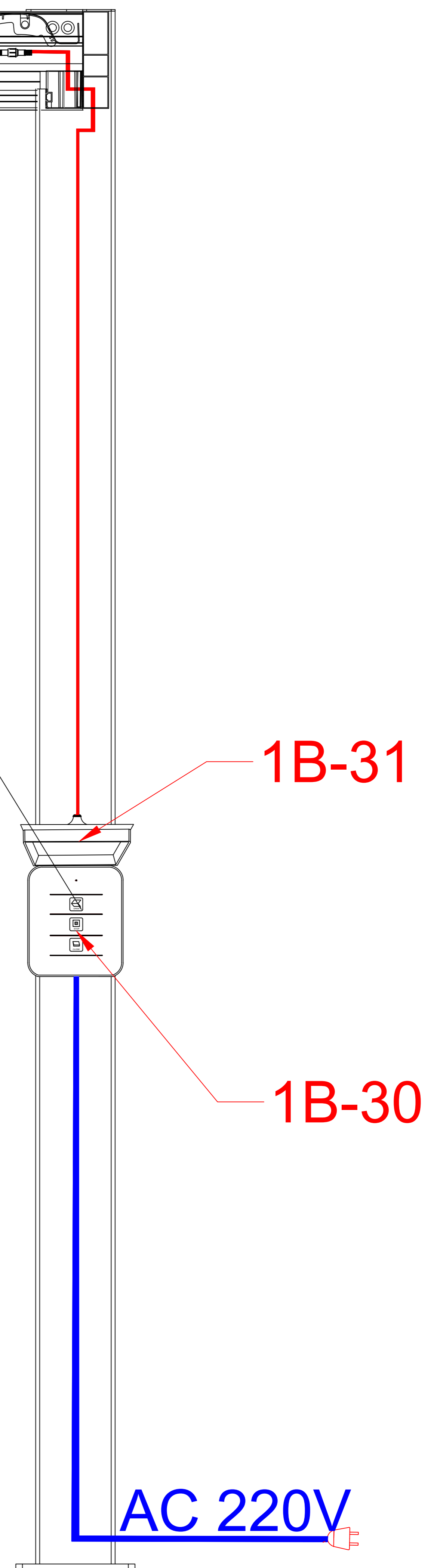
# The control box is on the post



Motor controller

## Wires Diagram

Power in: 220V  
Power Out To  
Motor: DC24V

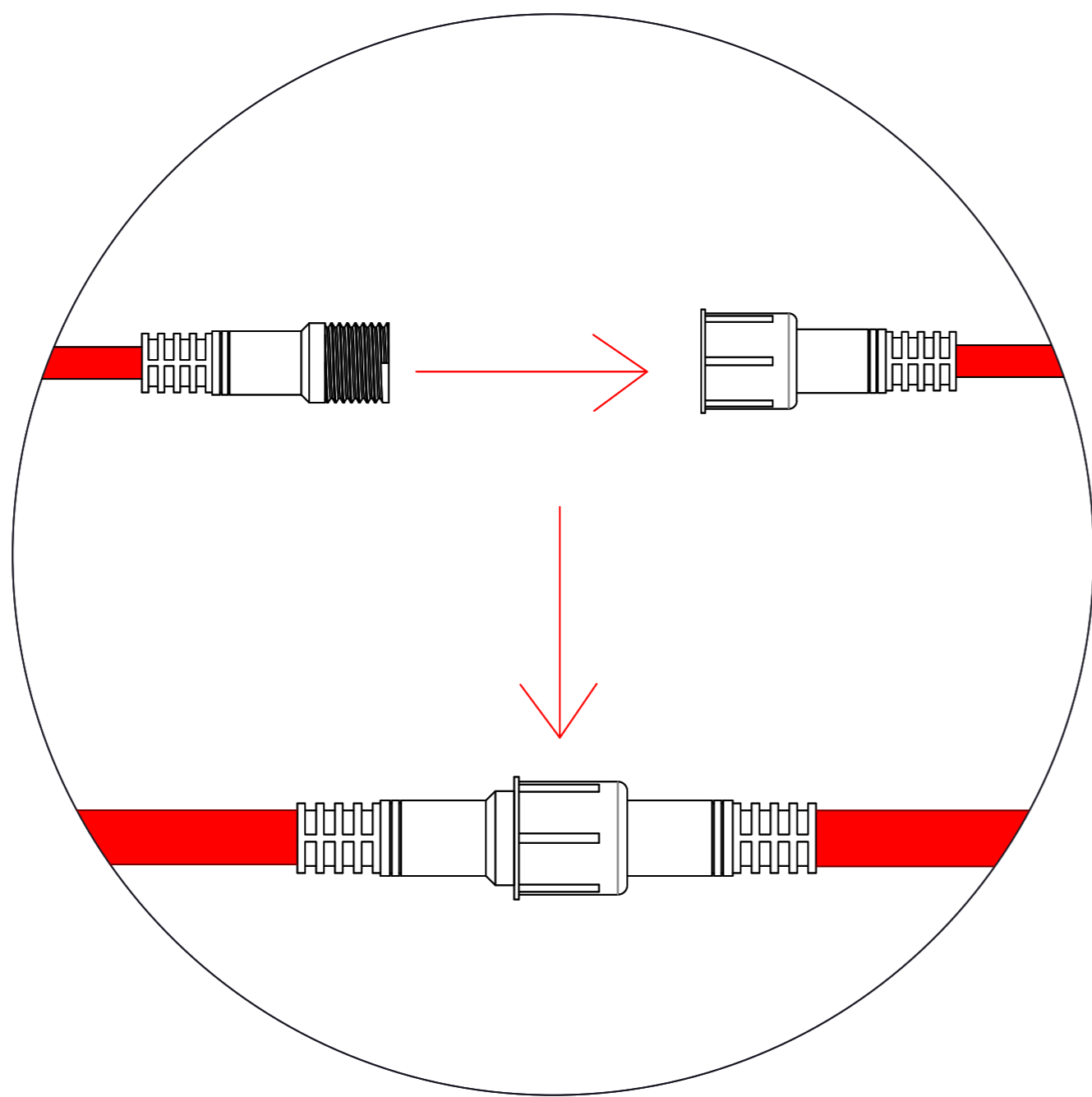
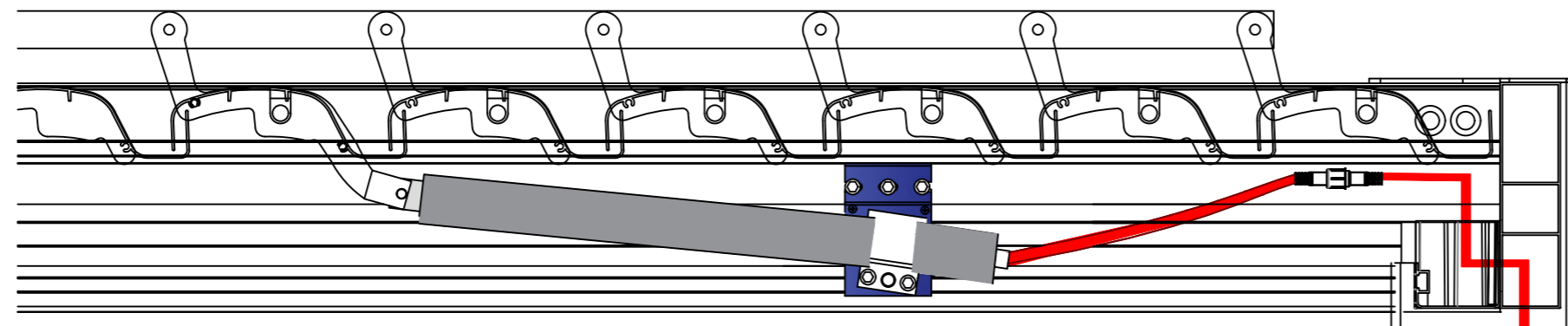


1B-30		1
1B-31		1





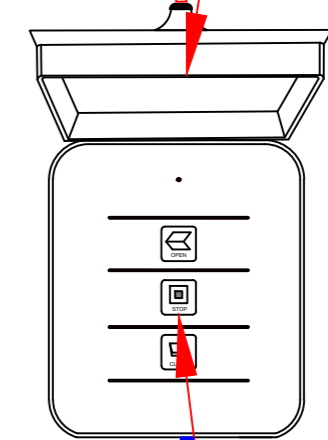
The control box is not on the post



Wires Diagram

Power in: 220V  
Power Out To Motor: DC24V

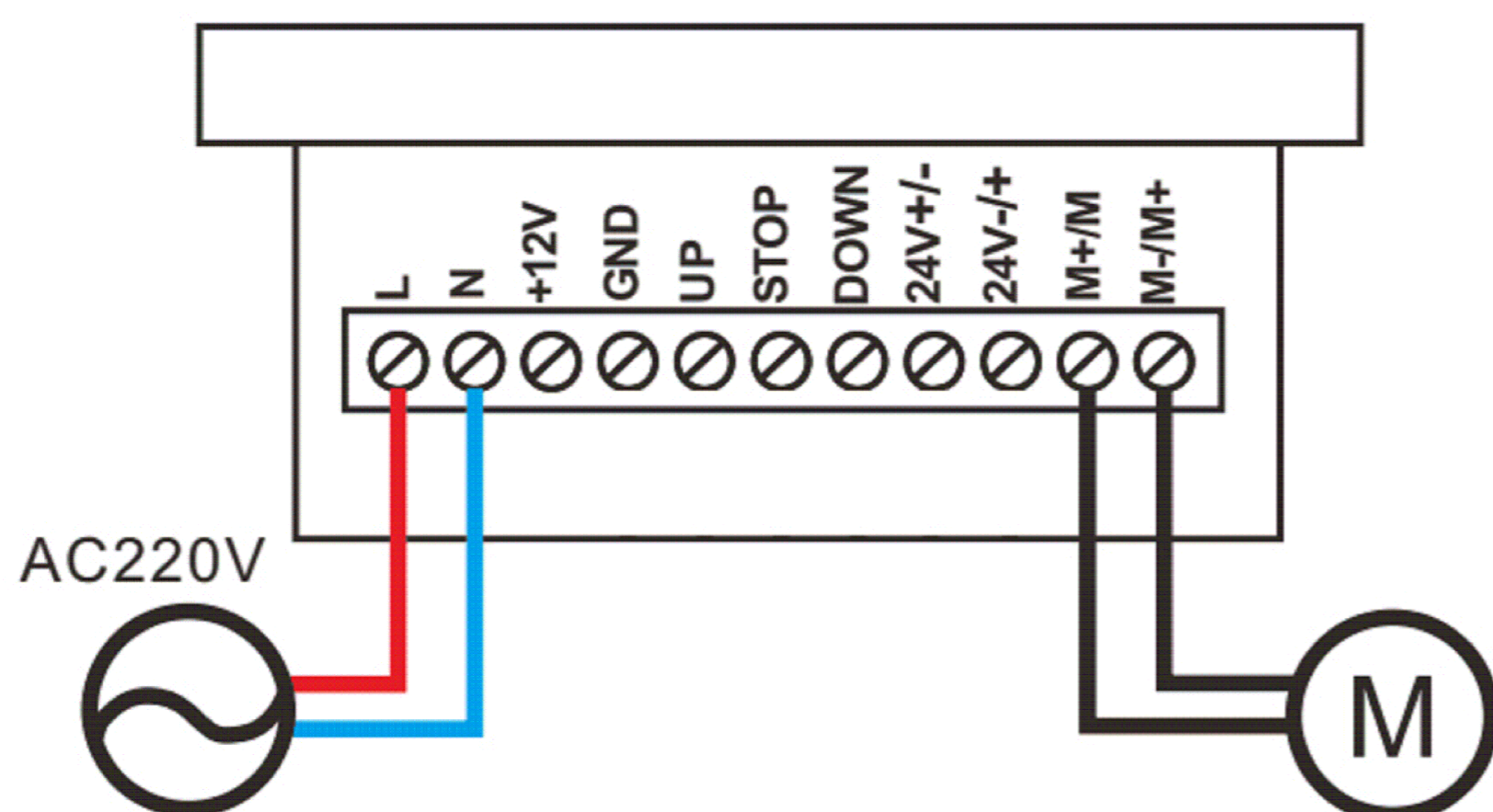
**MOTOR**  
1B-31

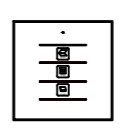

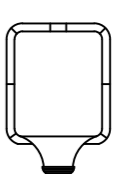


1B-30

AC 220V

E022  
E012



1B-30	 	1
1B-31		1

