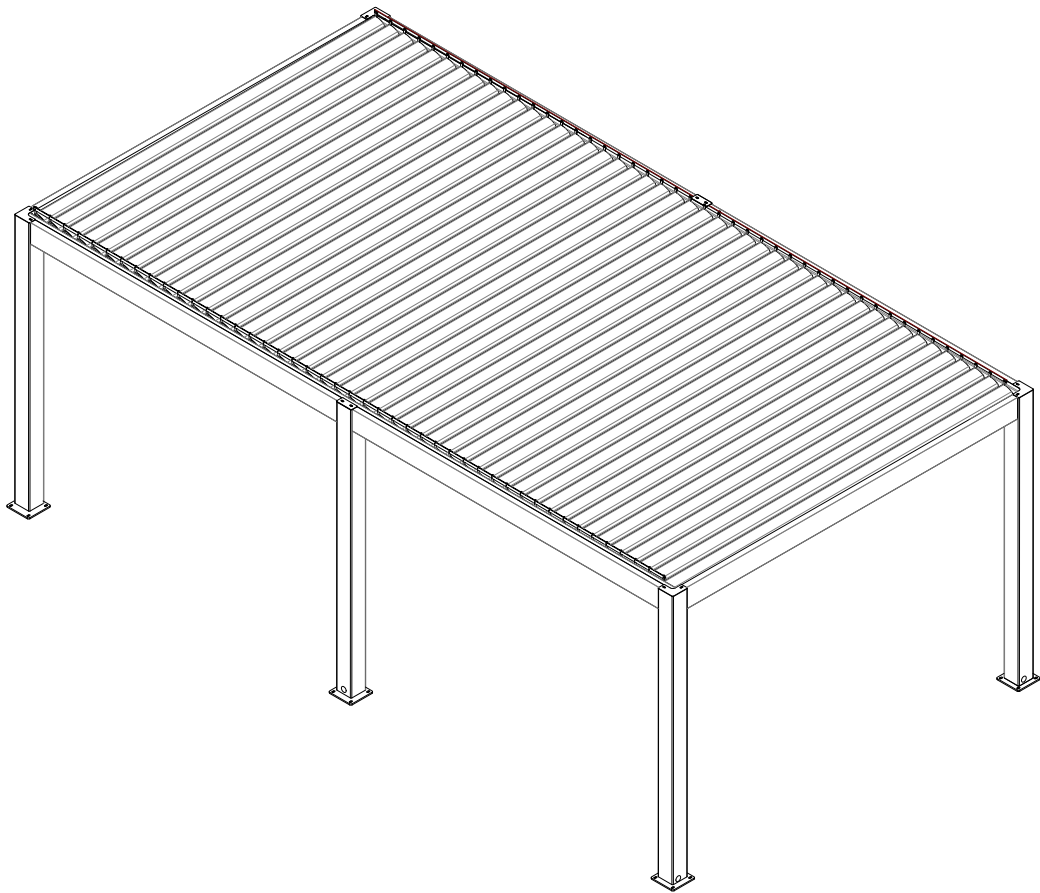
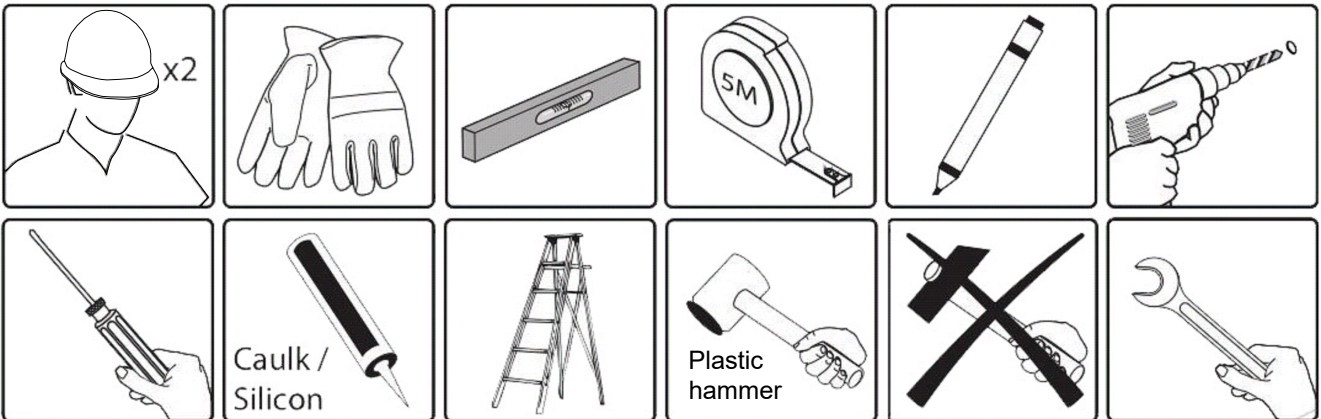
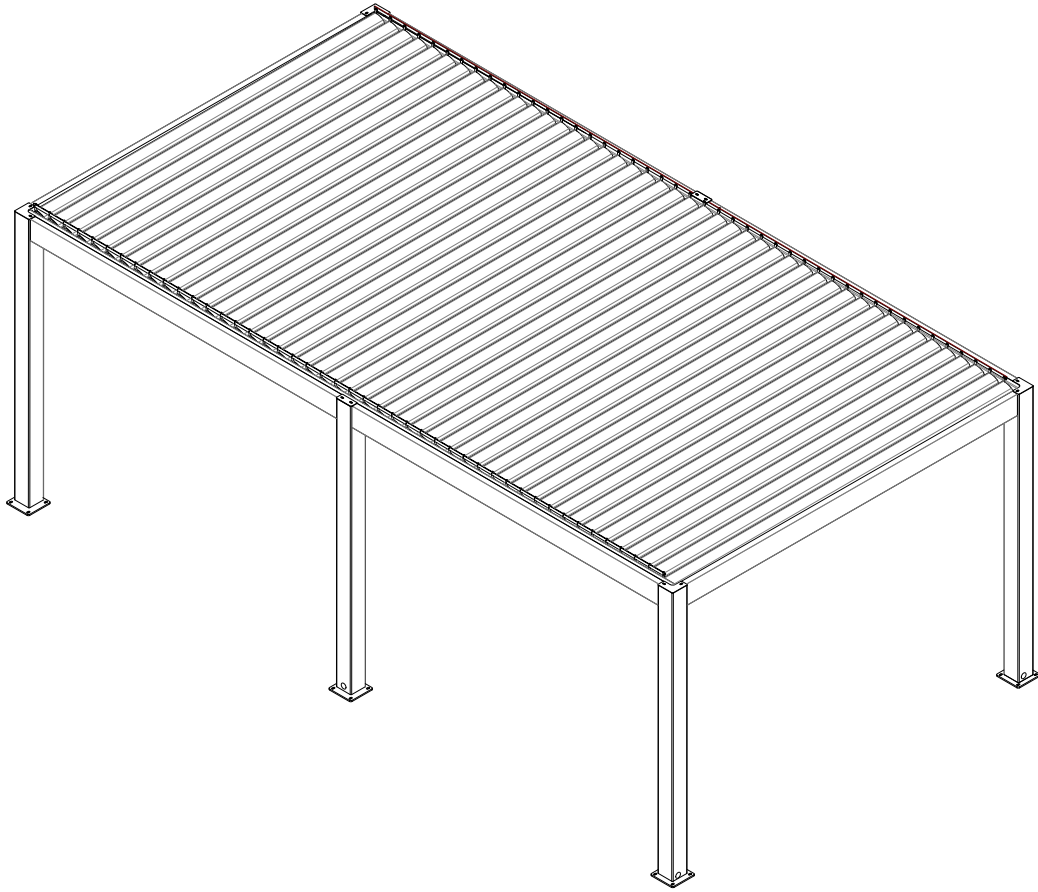




KING PERGOLA FREE STANDING 6 POSTS

**ELECTRIC 3x8m**





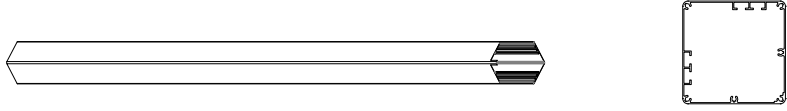
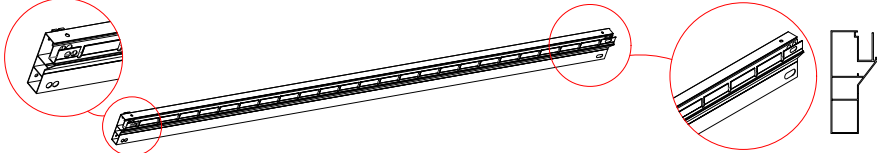
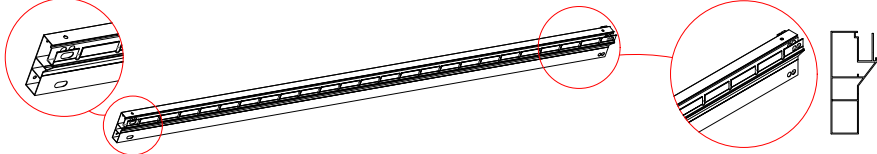
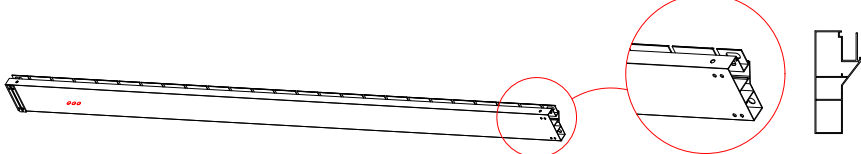
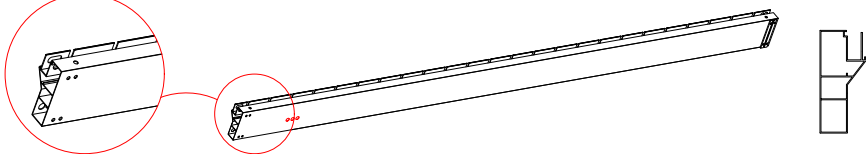
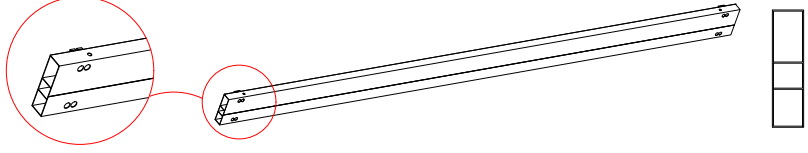

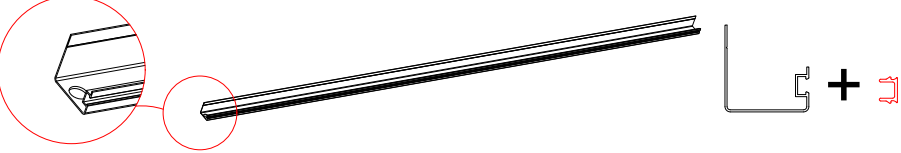
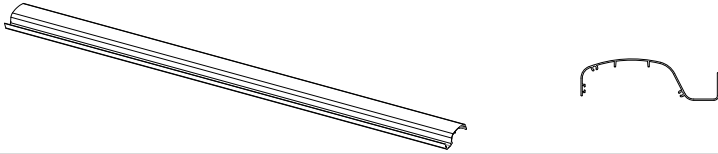


# 3×8m

	Item	Qty	Item	Qty	Item	Qty
Carton 1/6	1B-01	4				
Carton 2/6	1B-27	2	1B-11	4	1B-12	4
	1B-13	4	1B-13B	2	1B-14	2
	1B-15	2	1B-18	1	1B-19	12+
	1B-20	128+	1B-21	24+	1B-22	36+
	1B-23	48+	1B-24	1	1B-26	2
	1B-32	2	1B-33	2	1B-45	8
	1B-46	8	1B-48	67+	1B-49	65+
	1B-50	2	1B-51	268+	1B-58	1
	1B-63	4				
Carton 3/6	1B-02	1	1B-02-2	1	1B-03	1
	1B-03-2	1	1B-04	2	1B-05	2
	1B-05-2	4	1B-08A	1	1B-08B	1
	1B-08C	1	1B-08D	1	1B-09	4
	1B-29	4				
Carton 4/6	1B-06	24				
Carton 5/6	1B-06	24				
Carton 6/6	1B-06	19				

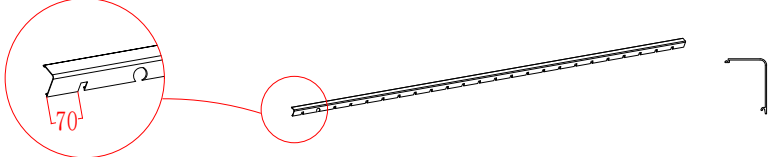
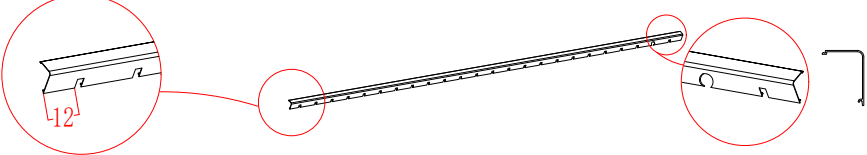
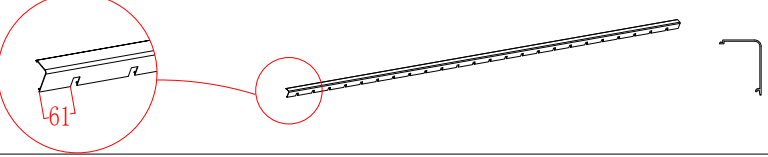
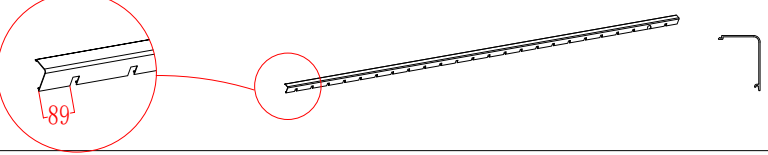
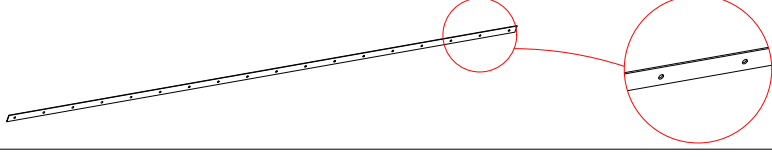
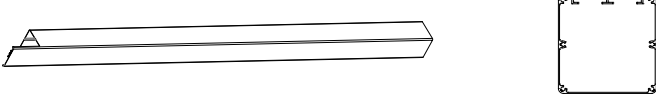
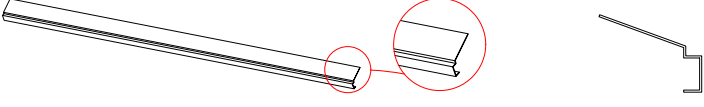




Item	Drawings	Qty
1B-01		4
1B-02		1
1B-02-2		1
1B-03		1
1B-03-2		1
1B-04		2
1B-05		2
1B-05-2		4
1B-06		67





Item	Drawings	Qty
1B-08A		1
1B-08B		1
1B-08C		1
1B-08D		1
1B-09		4
1B-27		2
1B-29		4





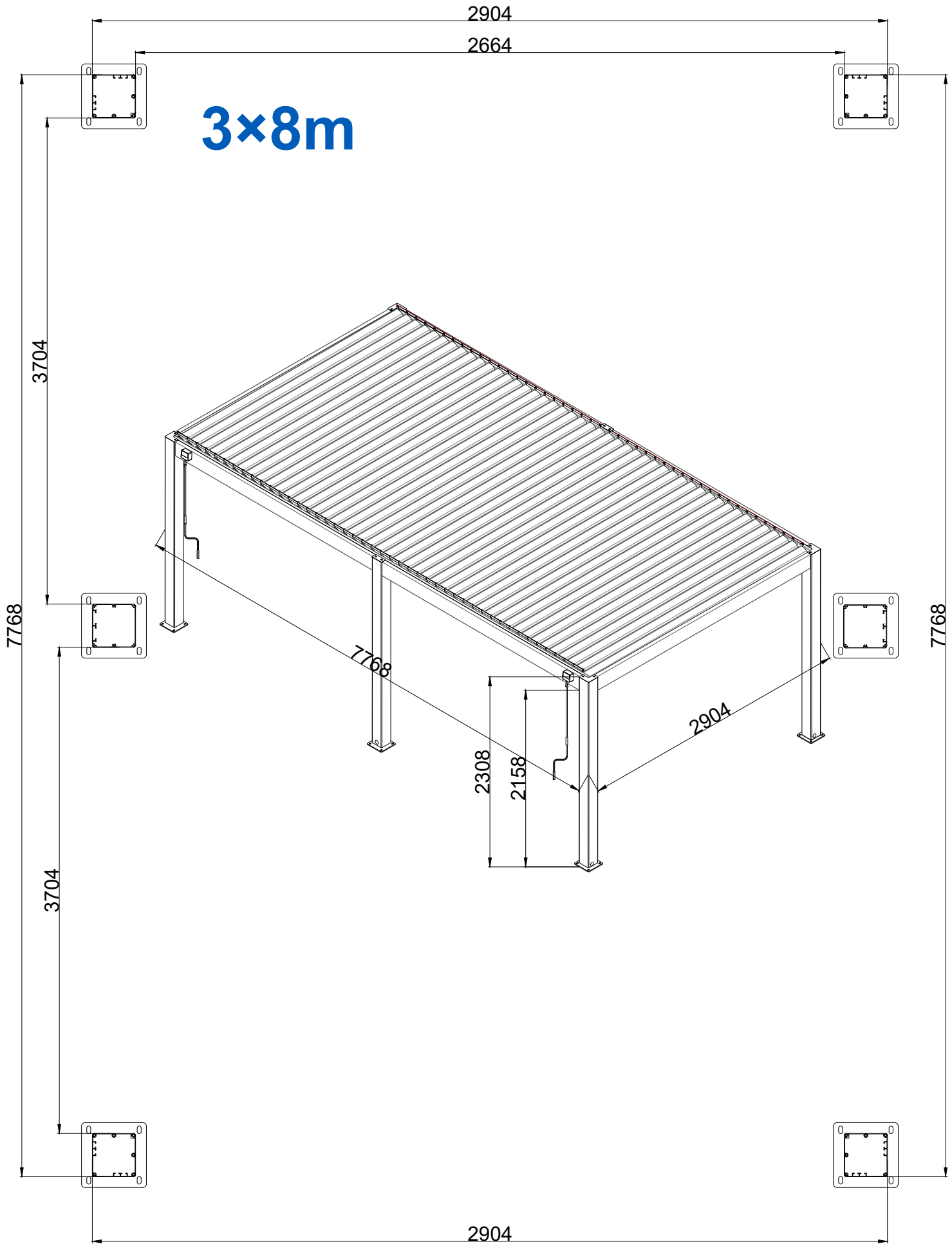
Item	Drawings	Qty
1B-11		4
1B-12		4
1B-13		4
1B-13B		2
1B-14		2
1B-15		2
1B-18		1
1B-19		12+
1B-20		128+
1B-21		24+
1B-22		36+
1B-23		48+

Item	Drawings	Qty
1B-24		1
1B-26		2
1B-32		2
1B-33		2
1B-48		67+
1B-49		65+
1B-50		2
1B-51		268+
1B-58		1
1B-45		8
1B-46		8
1B-63		4





**3×8m**

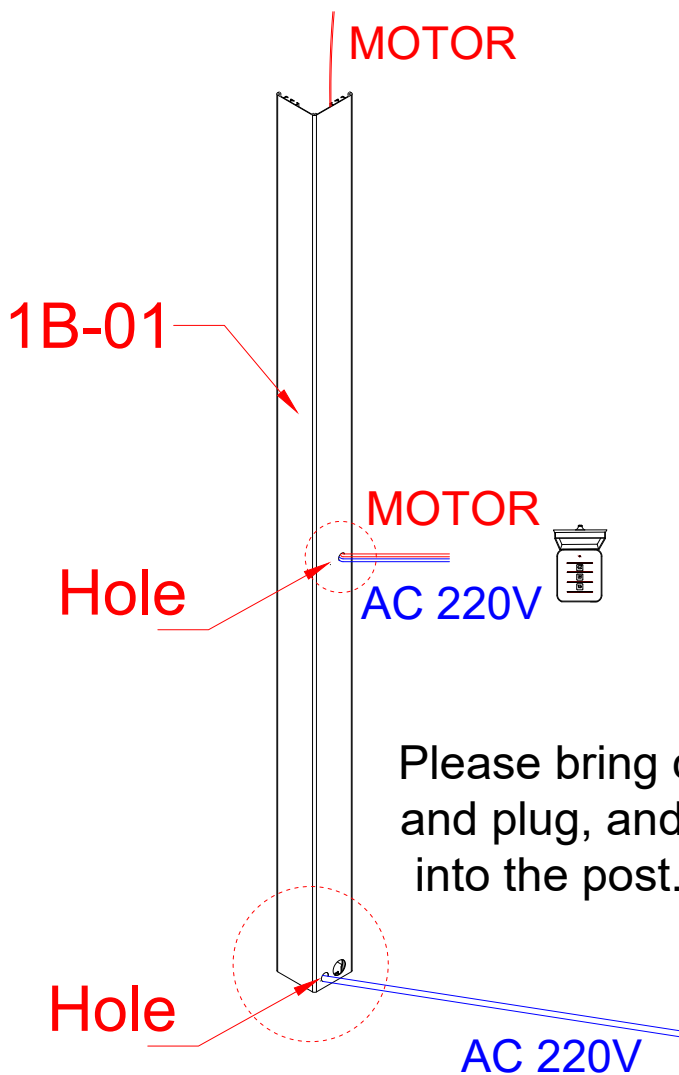
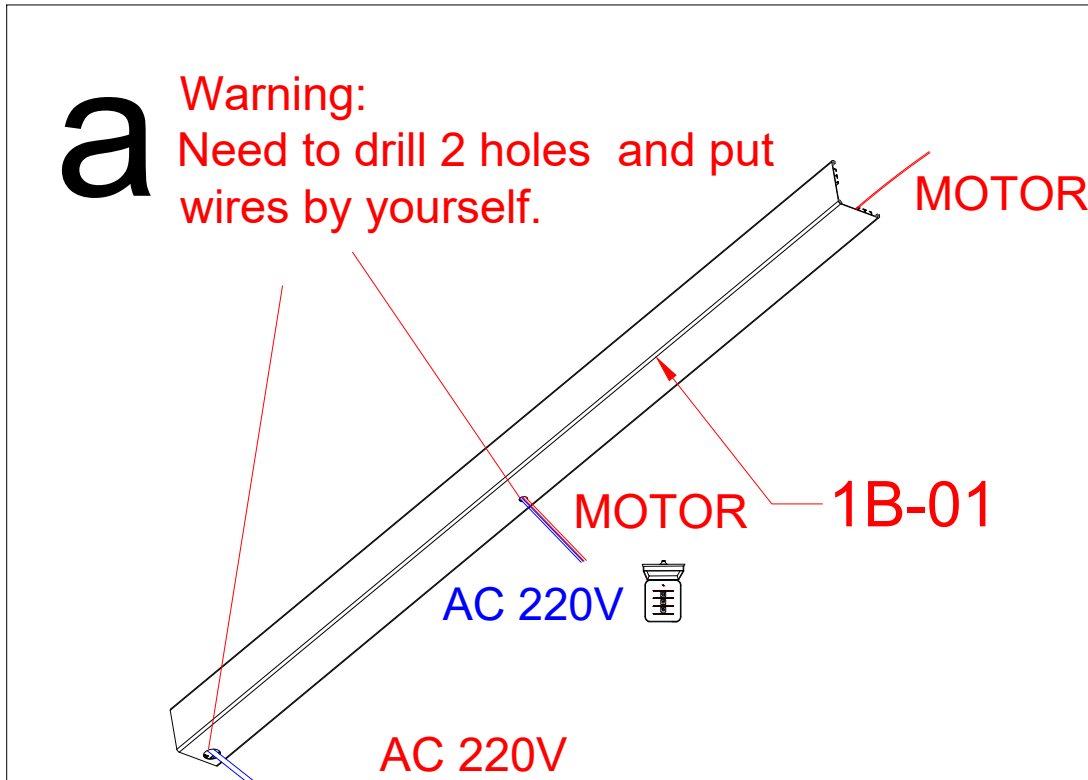


3×8-5





# Motor Wires Diagram - The control box is on the post



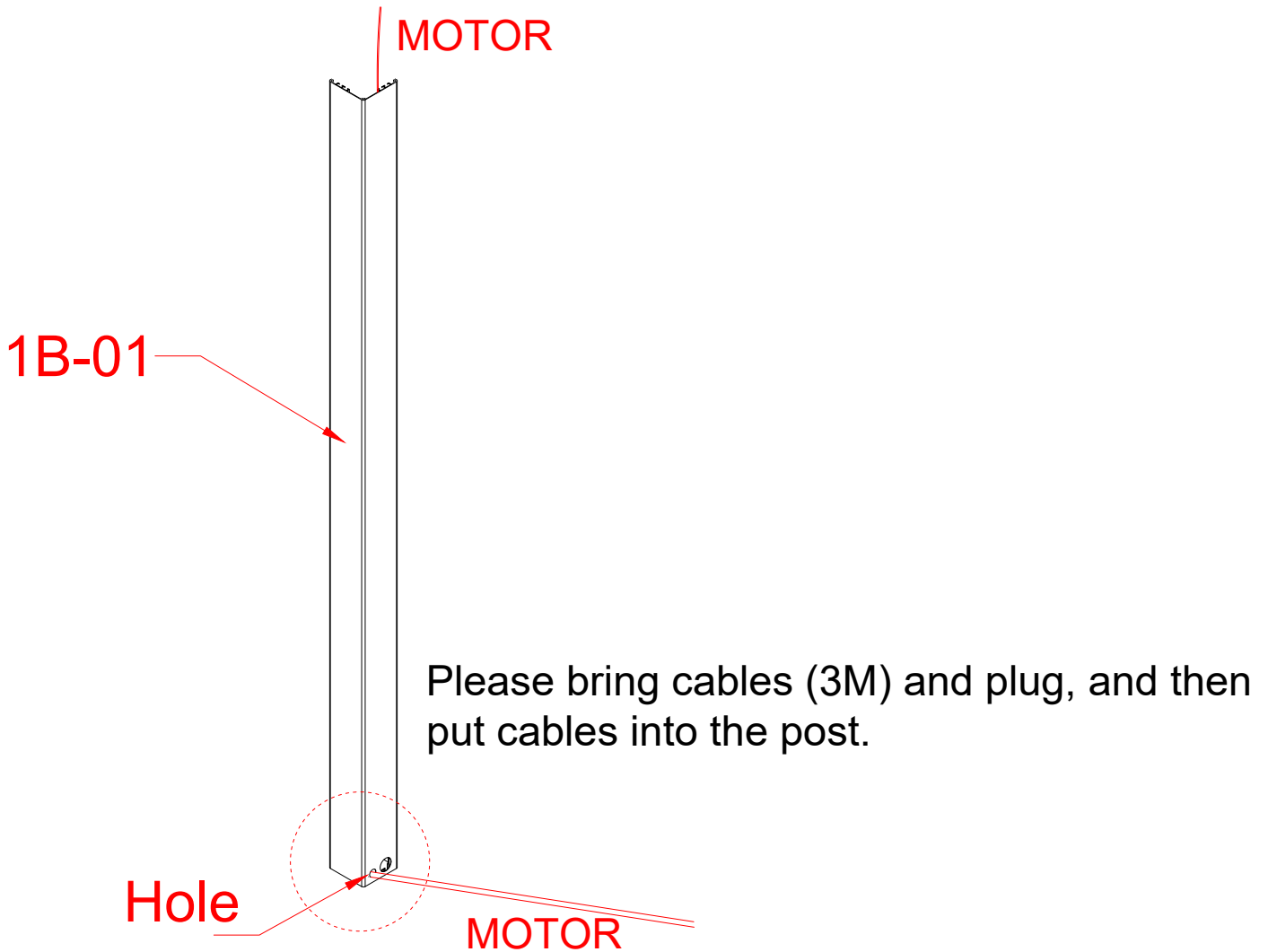
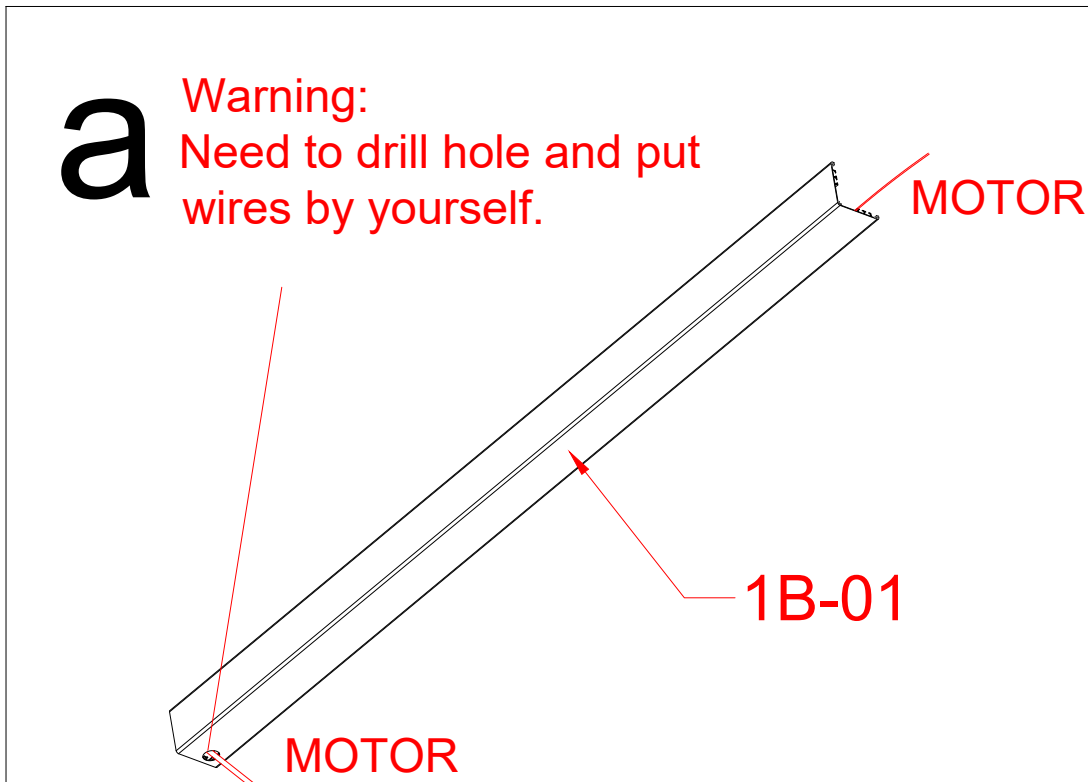
Please bring cables (1.5M), power cords (1.5M) and plug, and then put cables and power cords into the post.

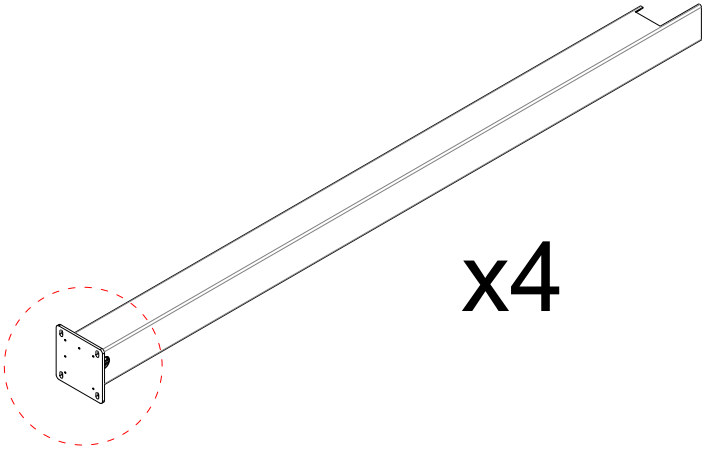
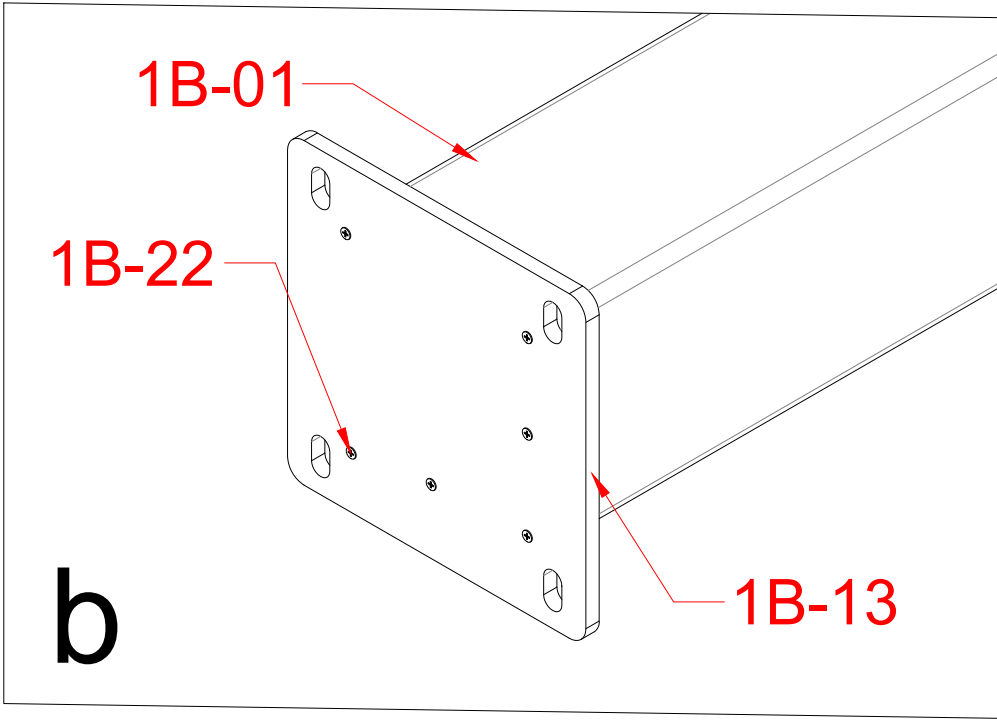
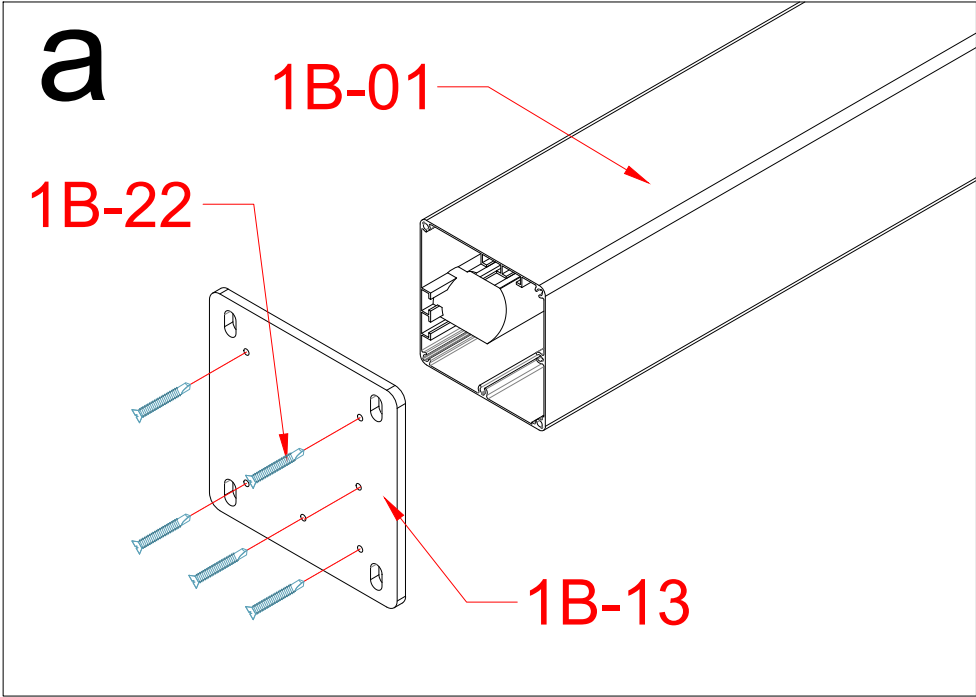






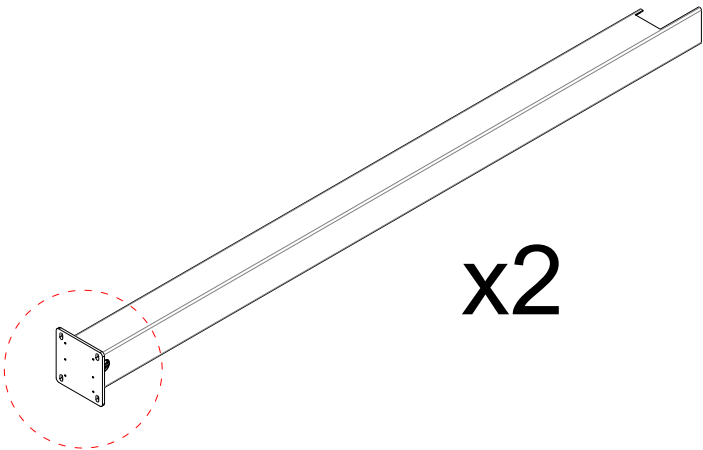
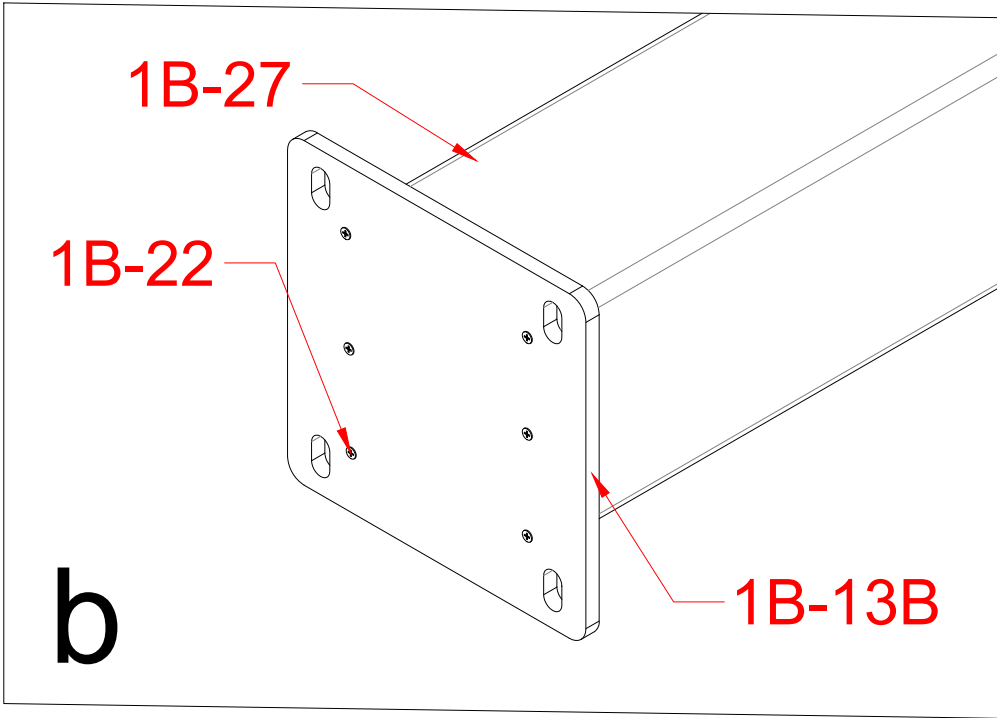
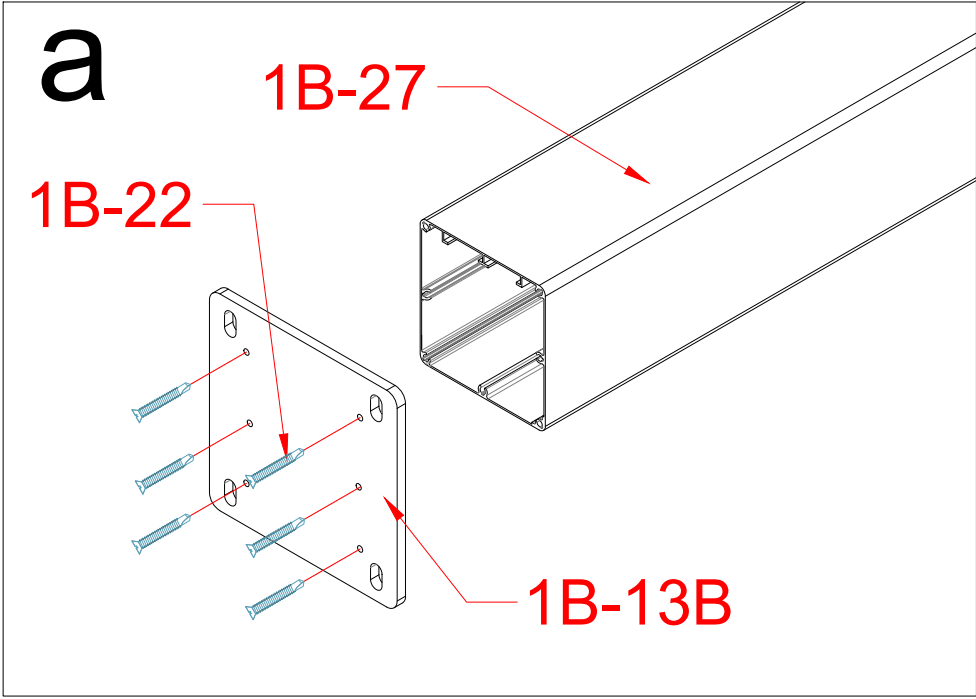
# Motor Wires Diagram - The control box is not on the post





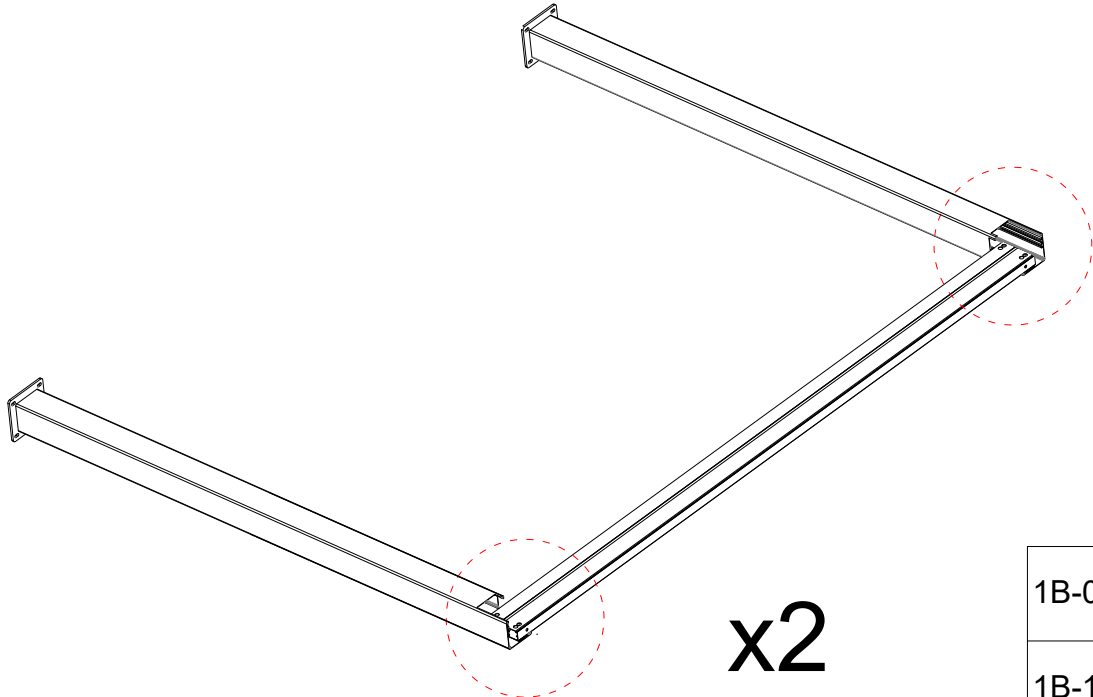
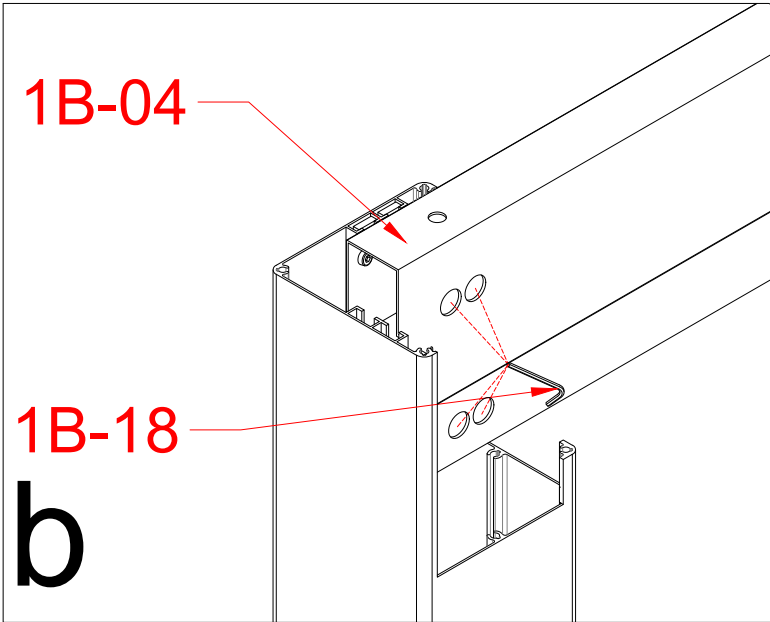
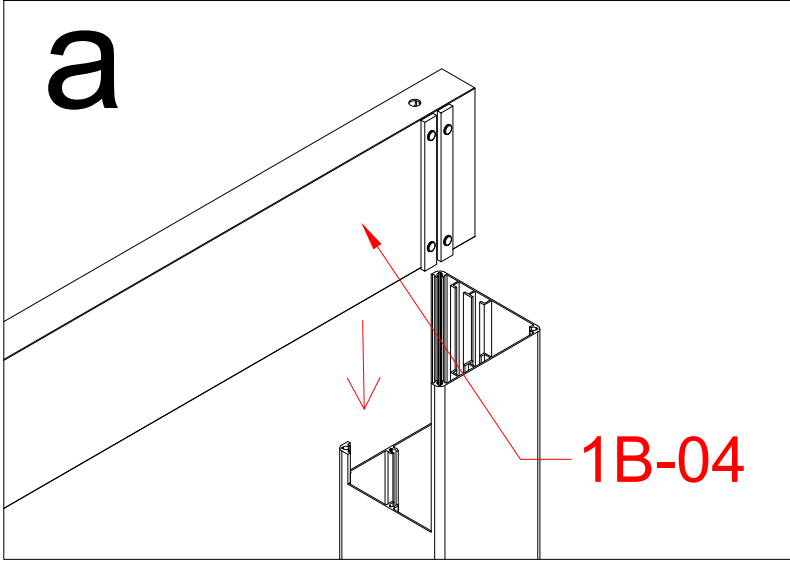
1B-01			4
1B-13			4
1B-22			24





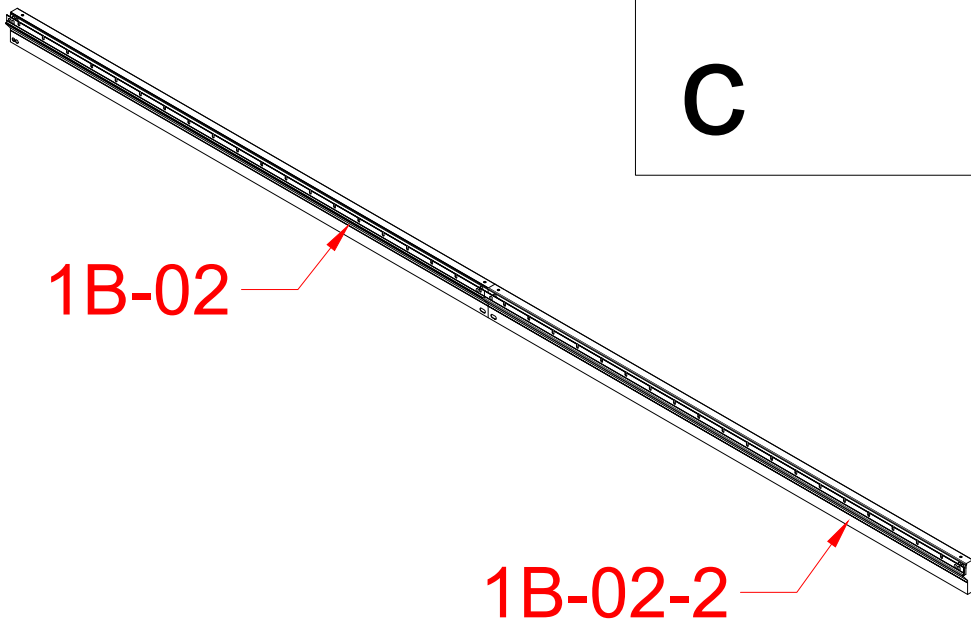
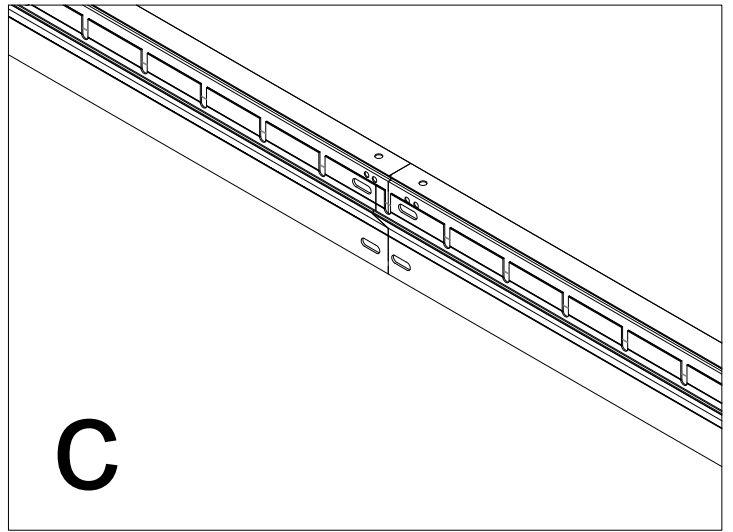
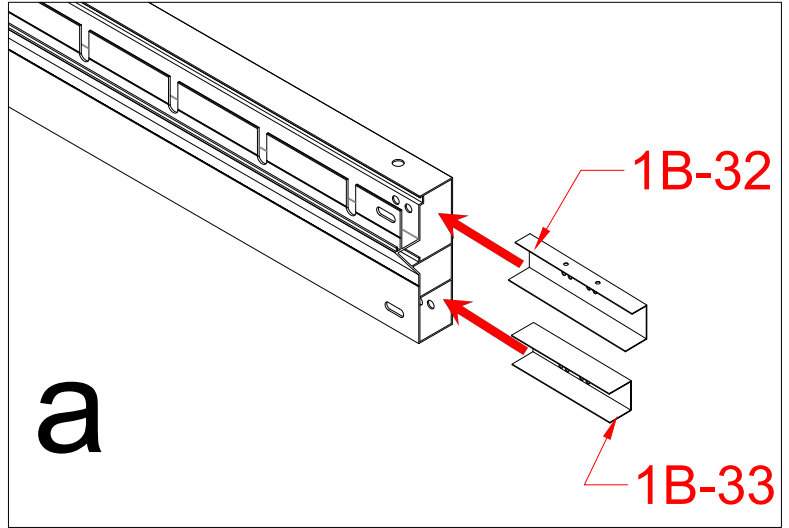
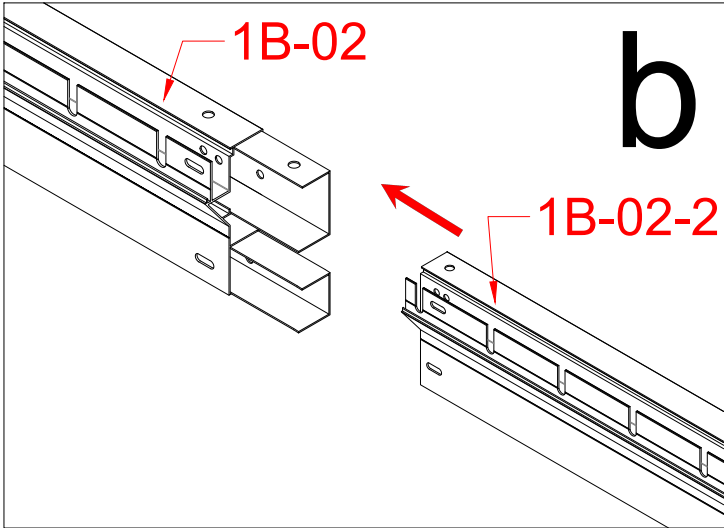
1B-27		2
1B-13B		2
1B-22		12





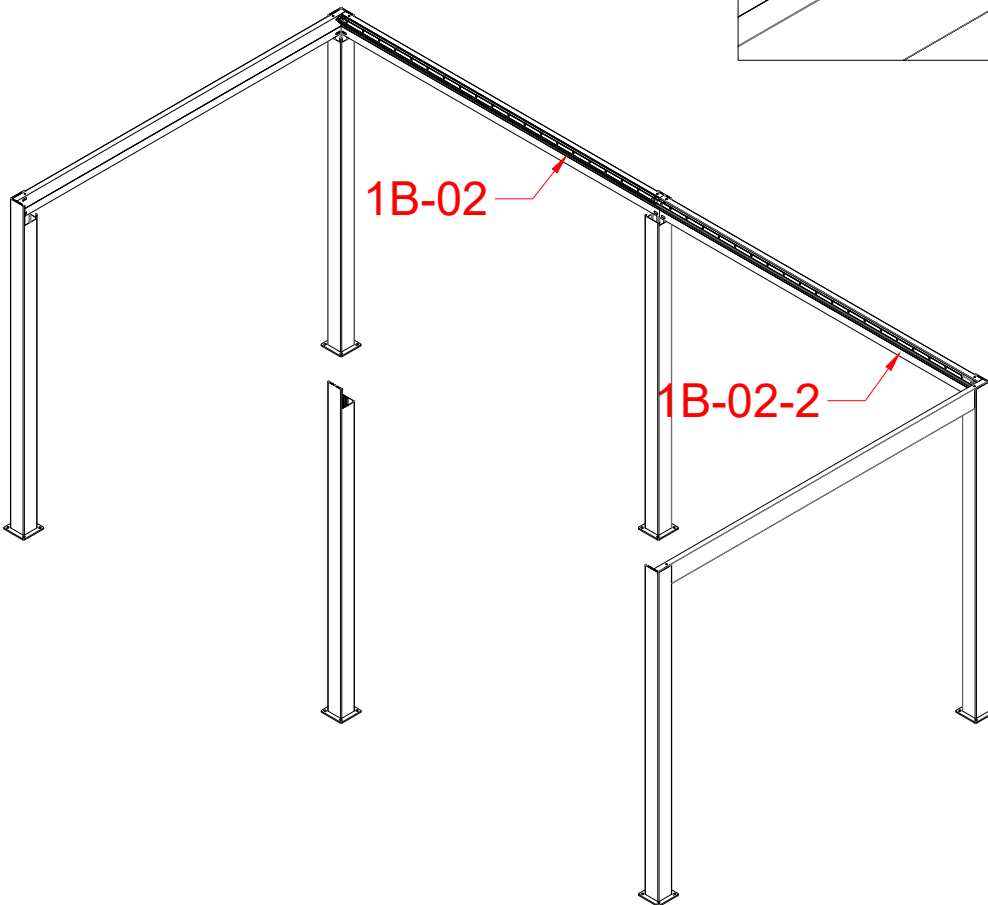
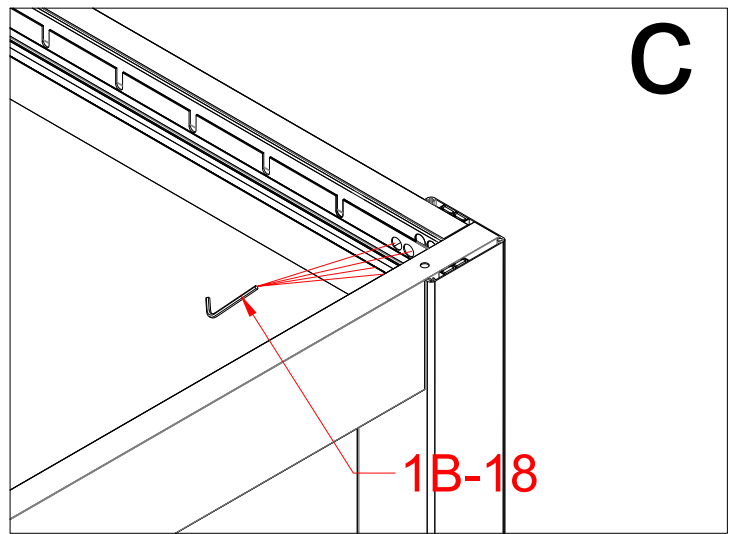
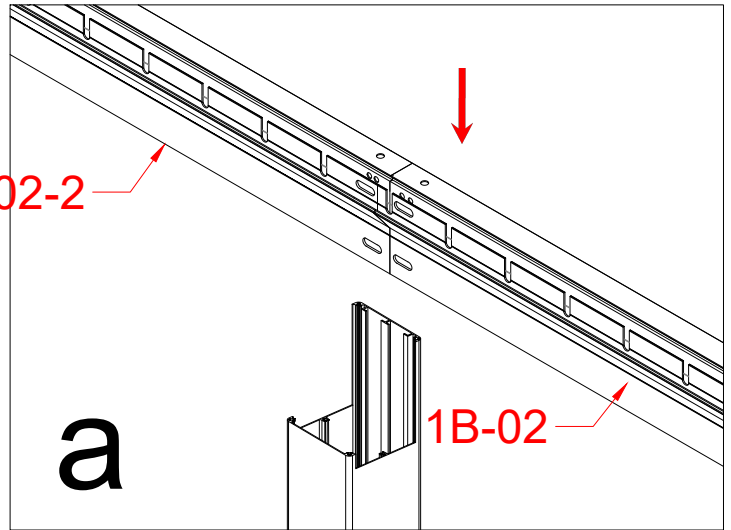
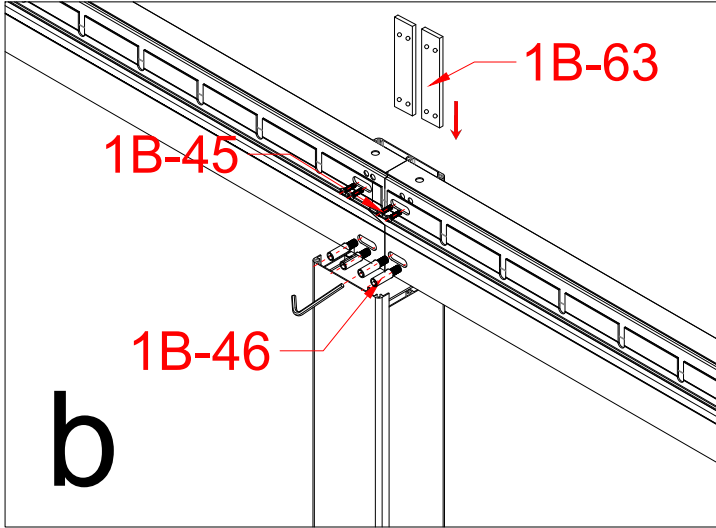
1B-04		2
1B-18		1





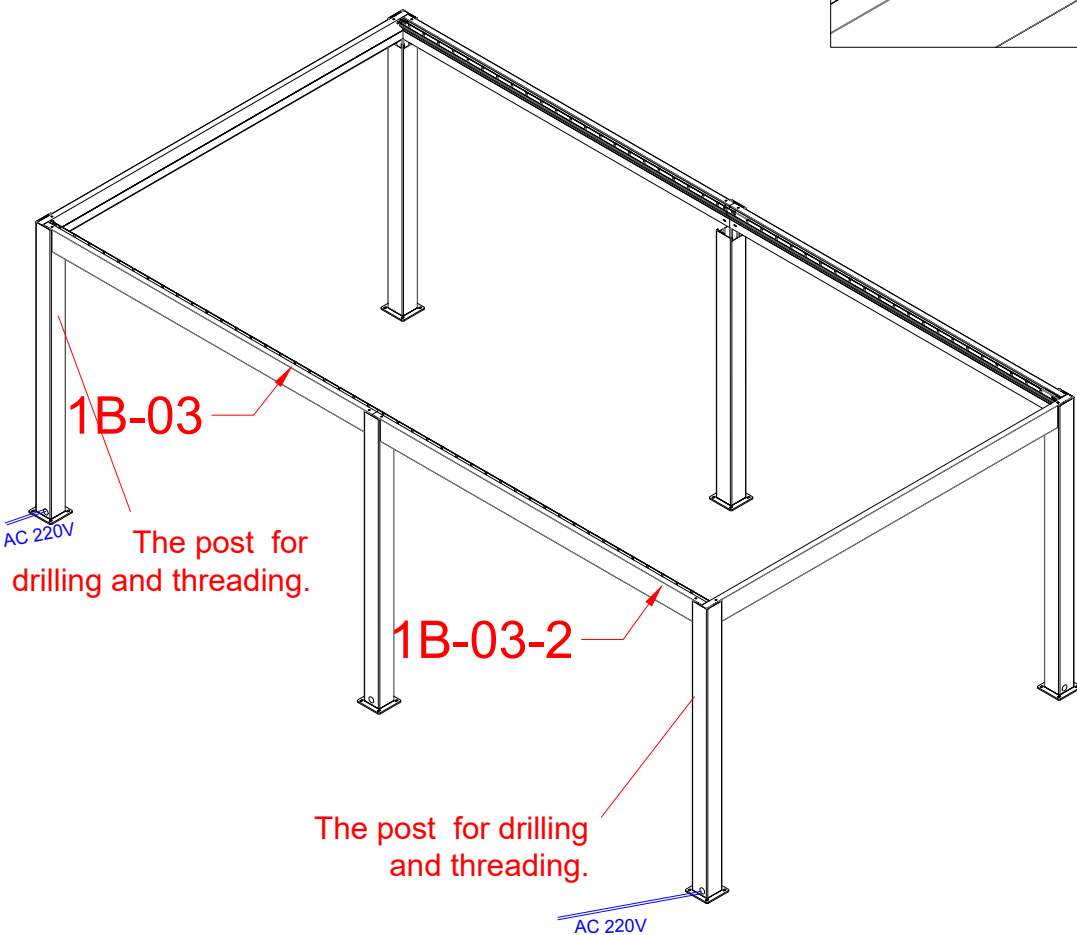
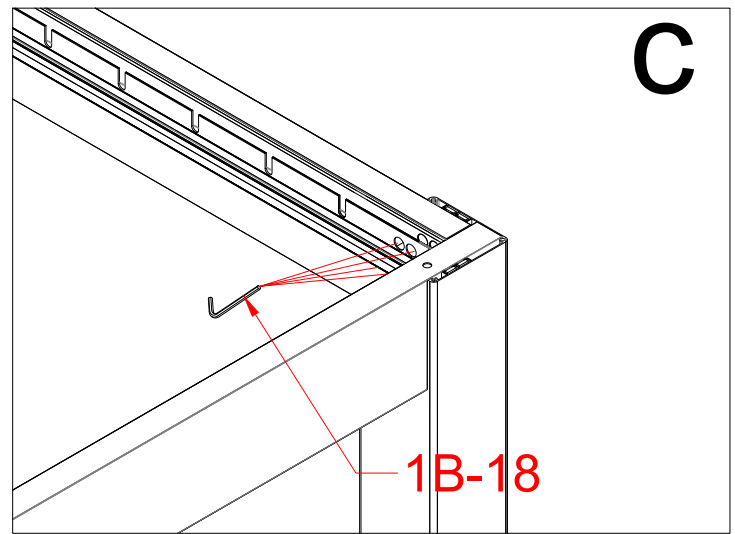
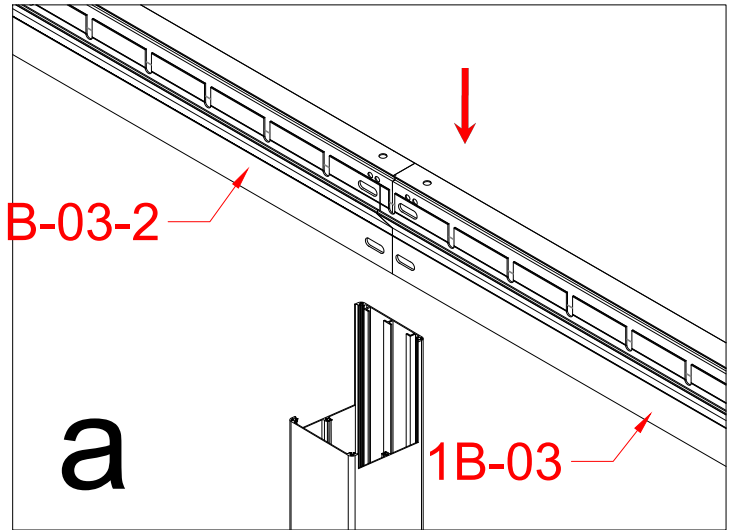
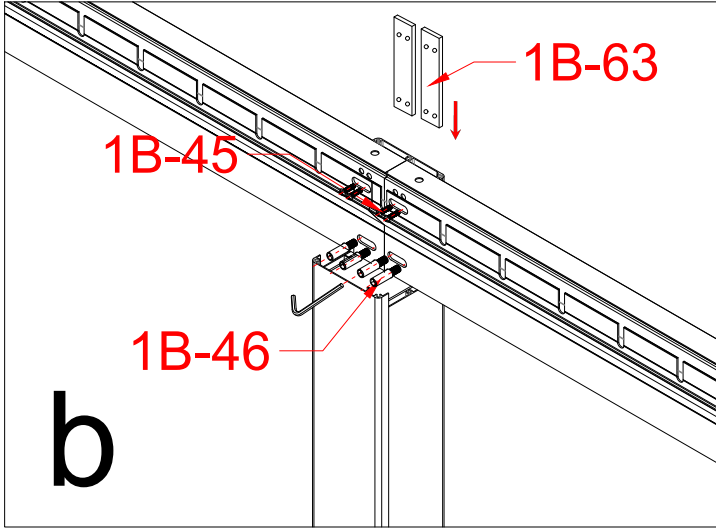
1B-02		1
1B-02-2		1
1B-32		1
1B-33		1





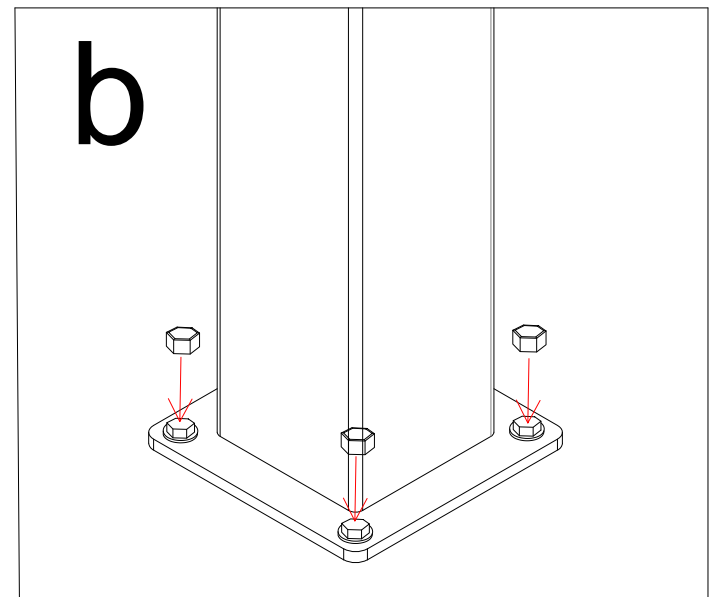
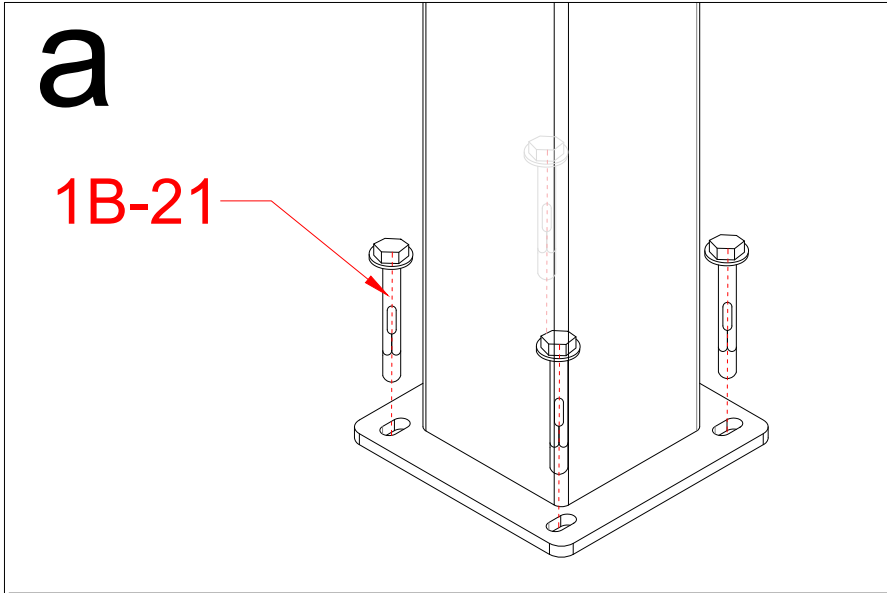
1B-63		2
1B-46		4
1B-18		1
1B-45		4



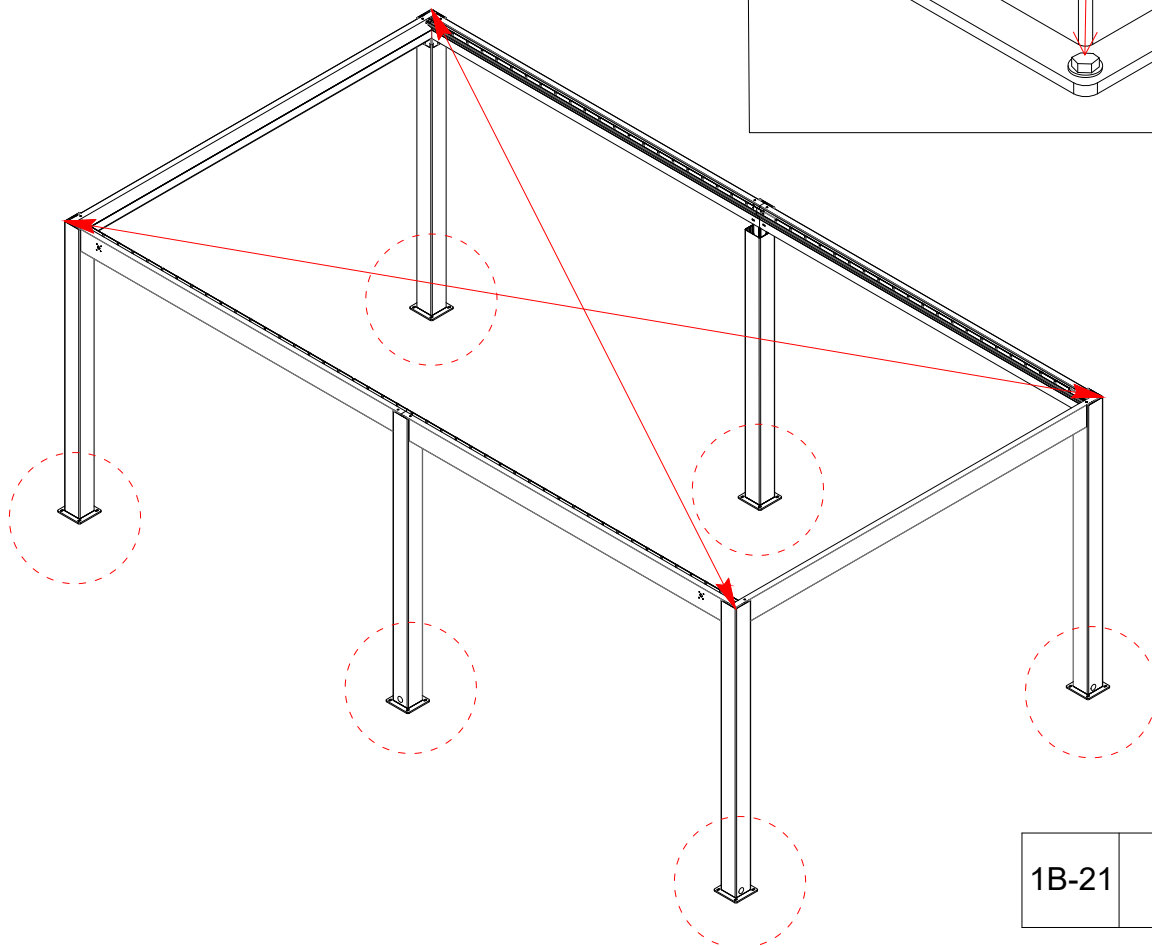


1B-63		2
1B-46		4
1B-45		4
1B-03		1
1B-03-2		1





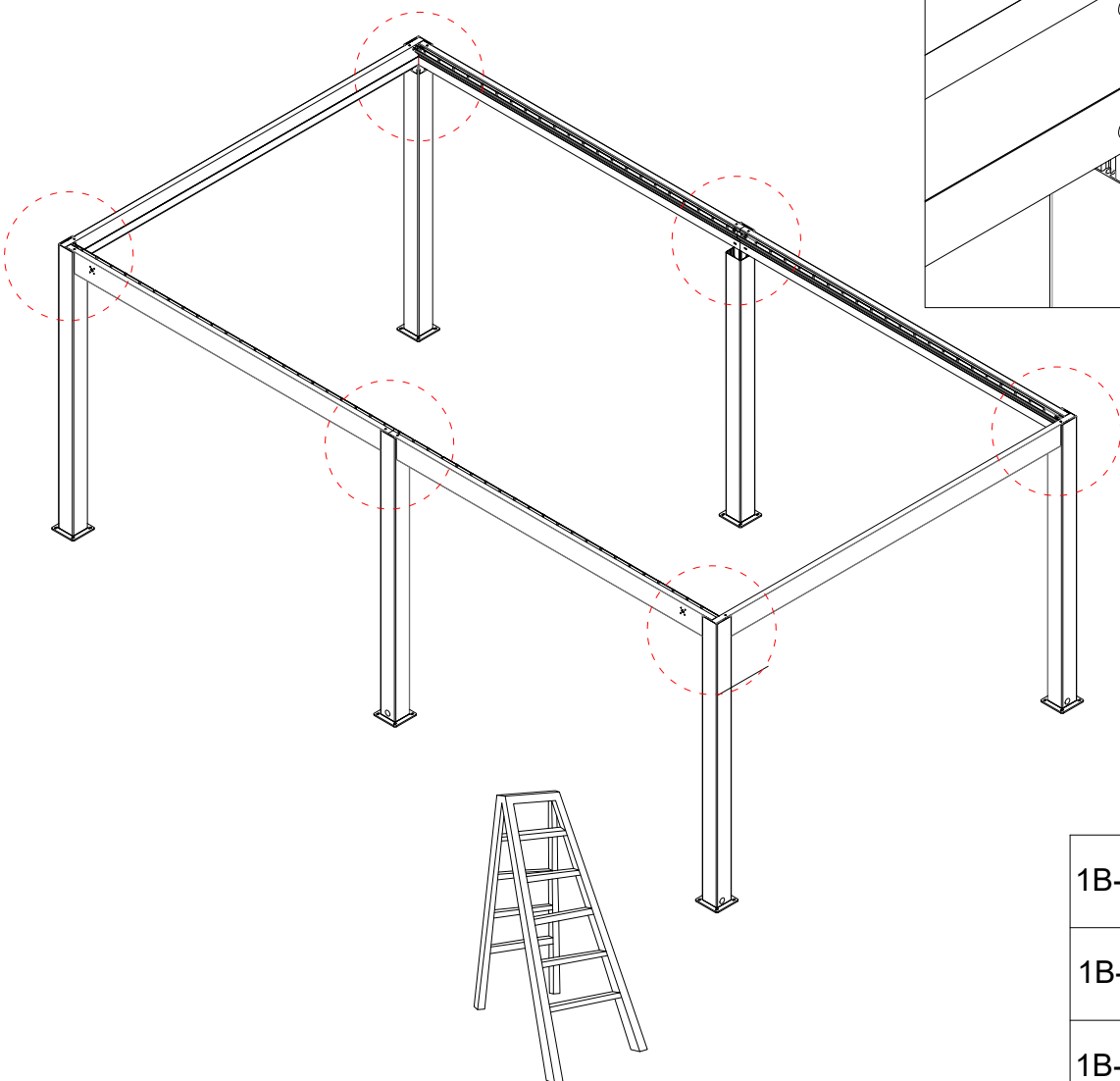
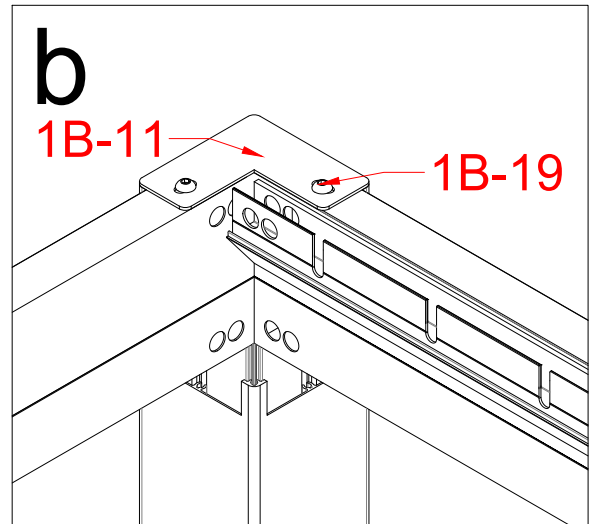
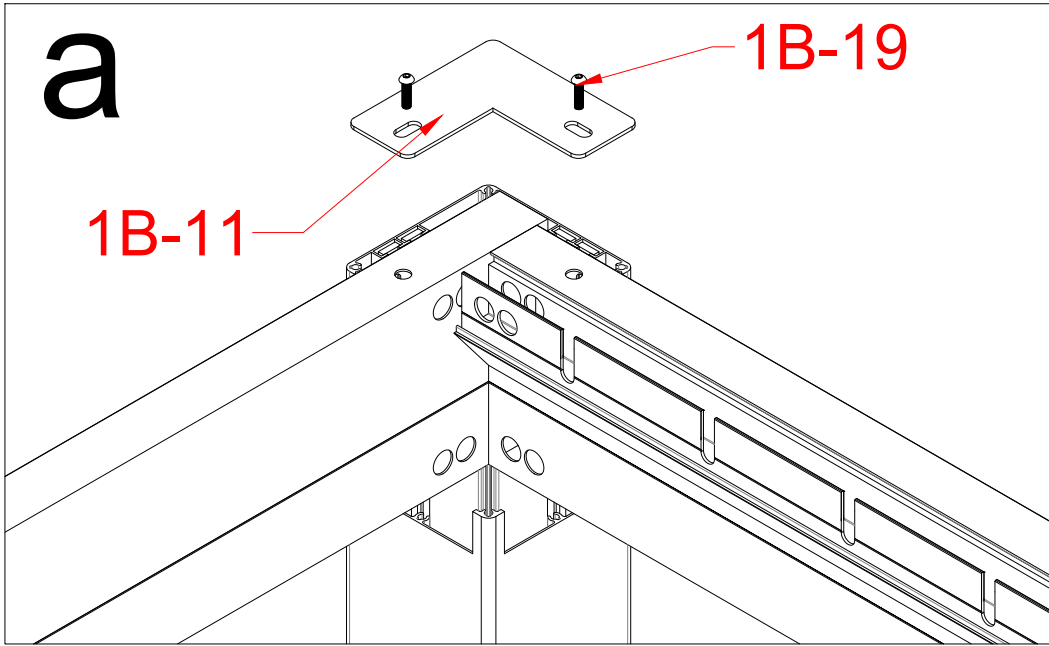
Pls measure the diagonal size and make sure the diagonal size keeps same before screw 1B-21 mounted. If not, pls adjust it to same size.

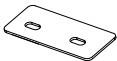
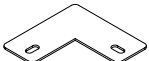



1B-21		24
-------	--	----

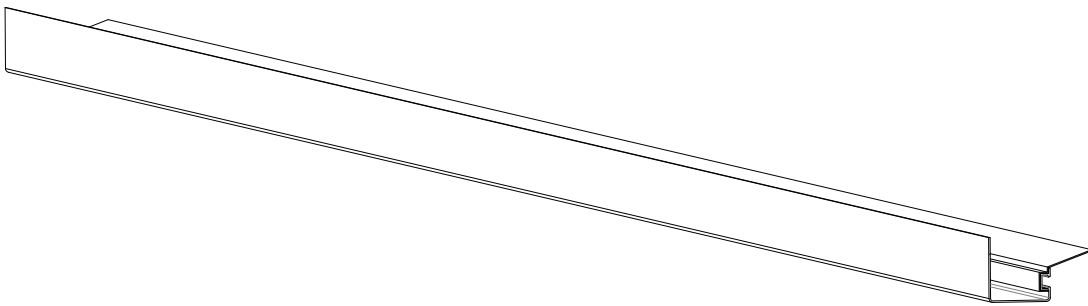
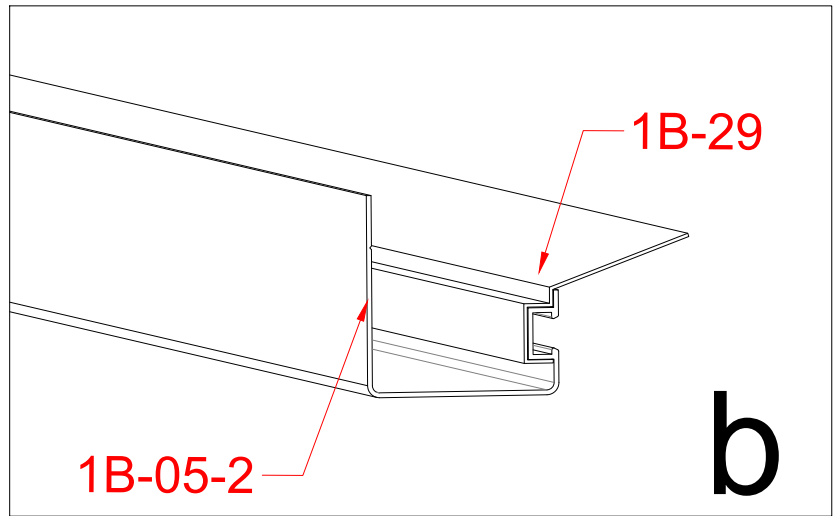
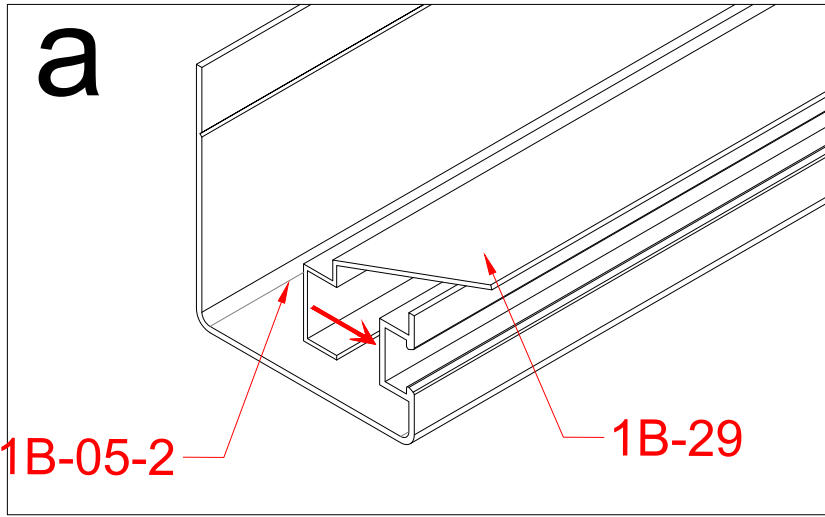






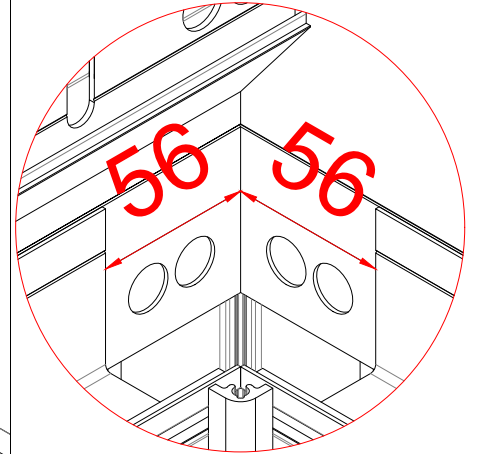
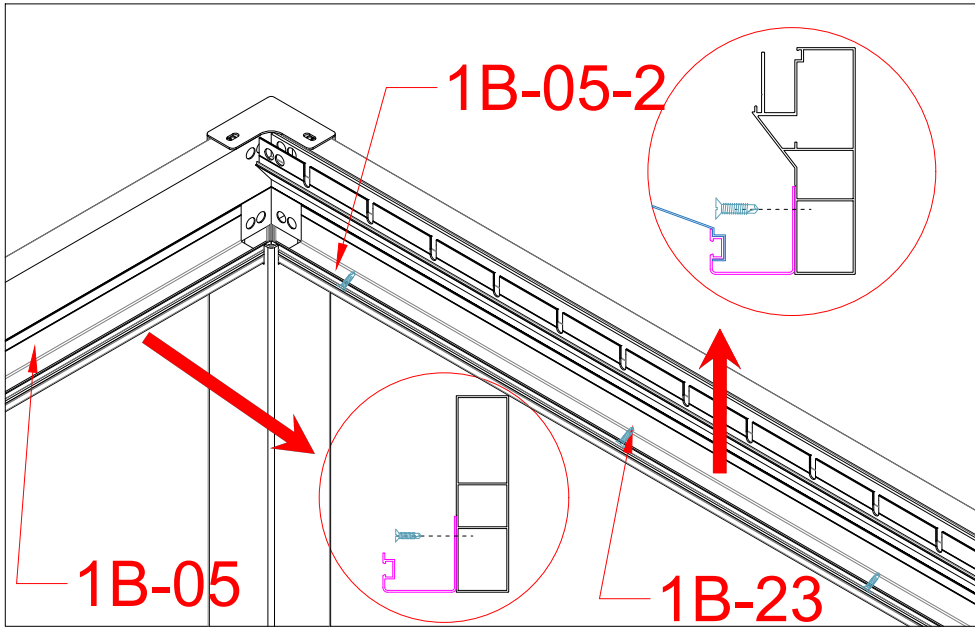
1B-26		2
1B-11		4
1B-19		12



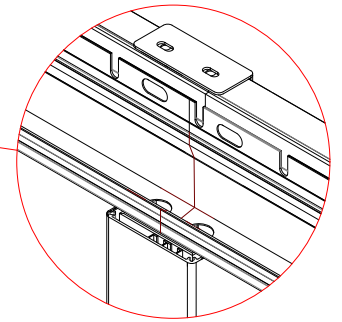
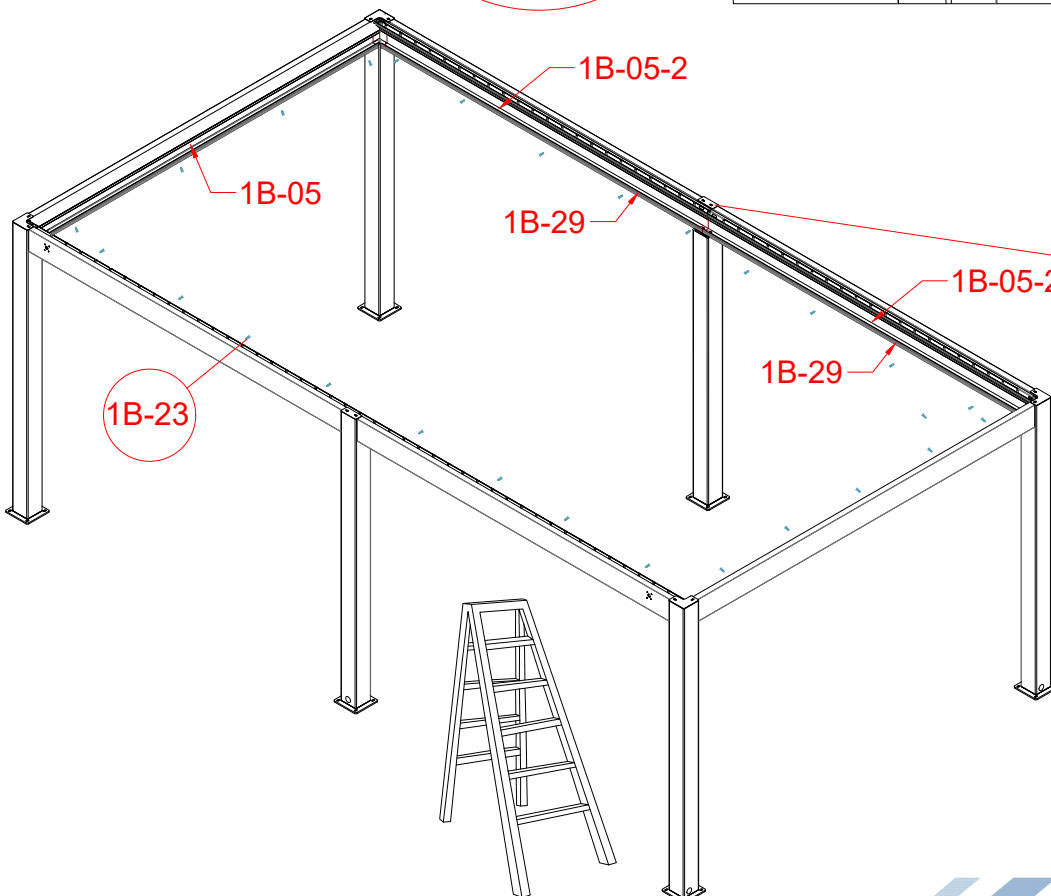
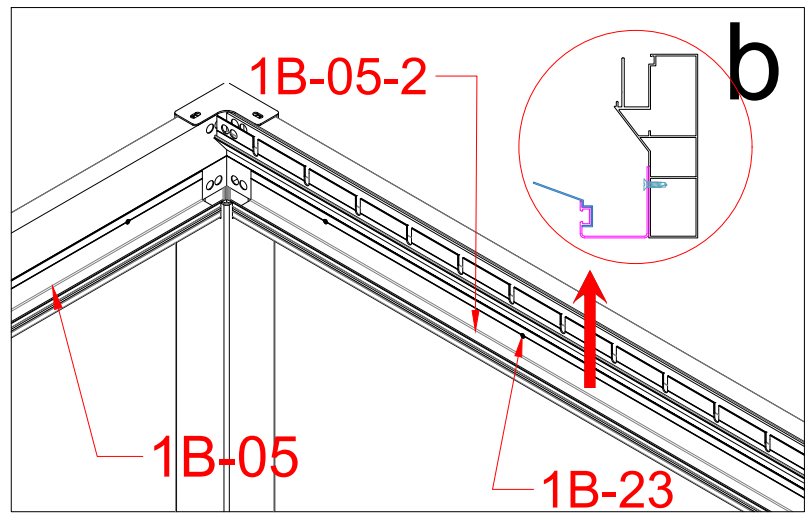
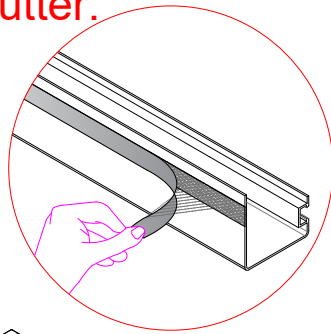


1B-05-2		4
1B-29		4



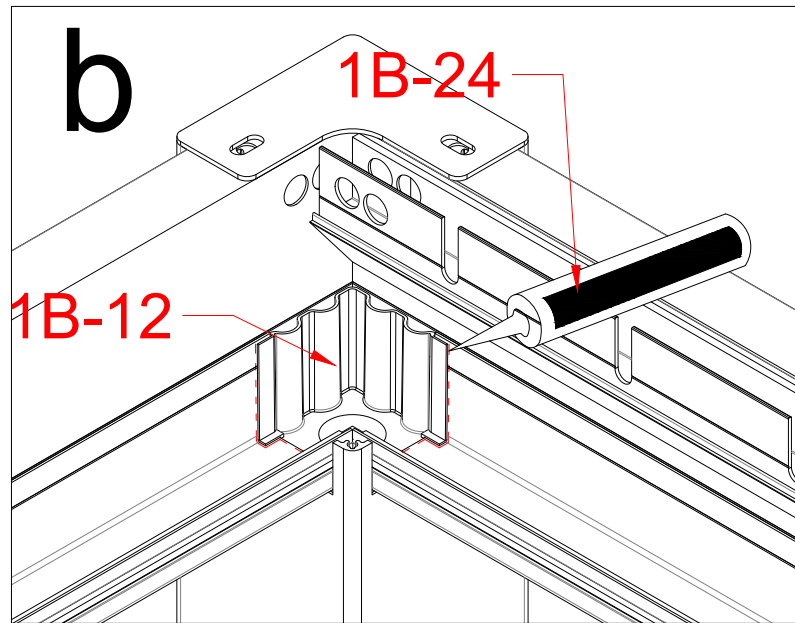
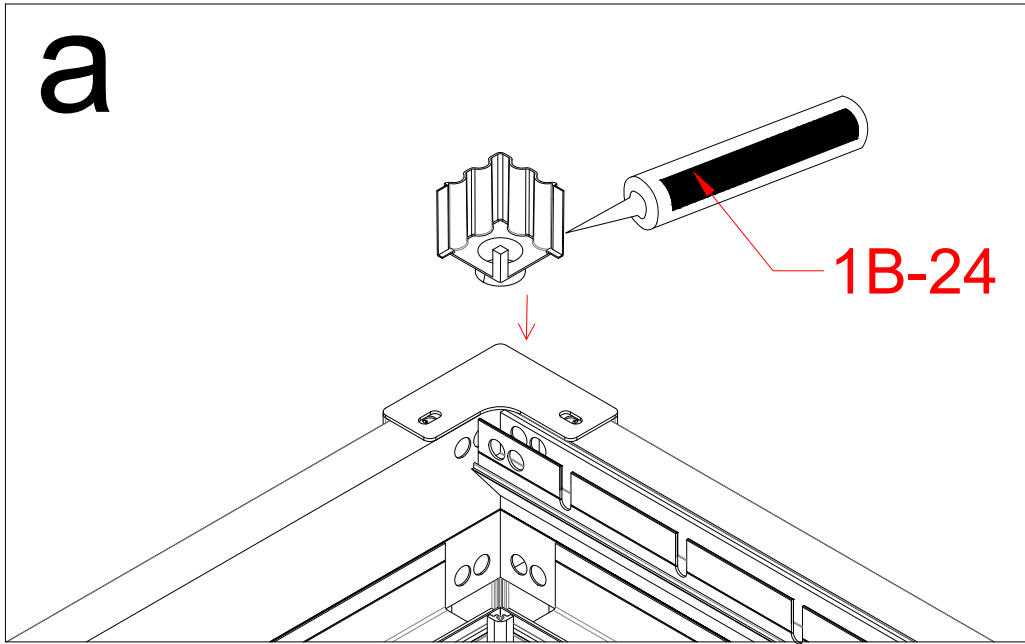


**Warning:**  
Before installation, tear off the protective film of the tape on the back side of Gutter.



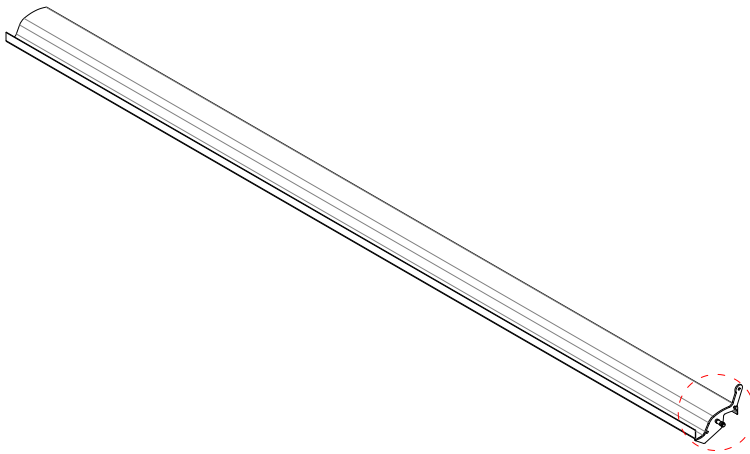
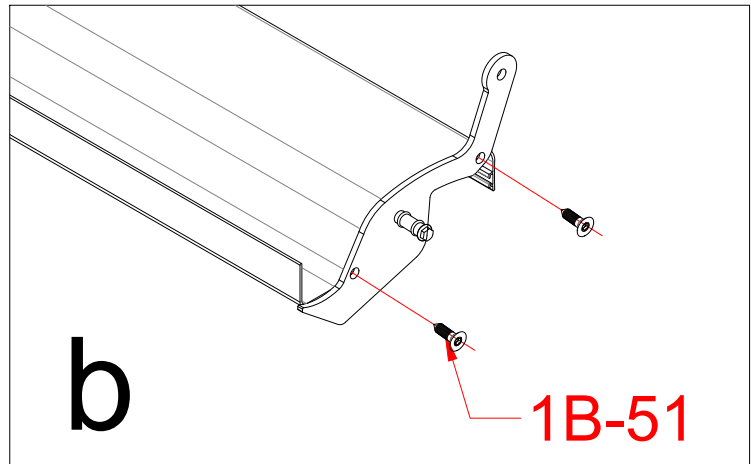
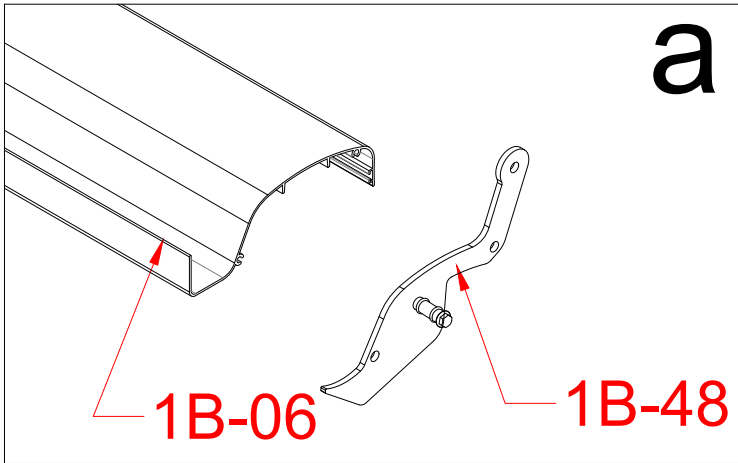
1B-05-2		4
1B-05		2
1B-23		24



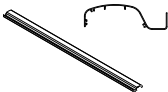





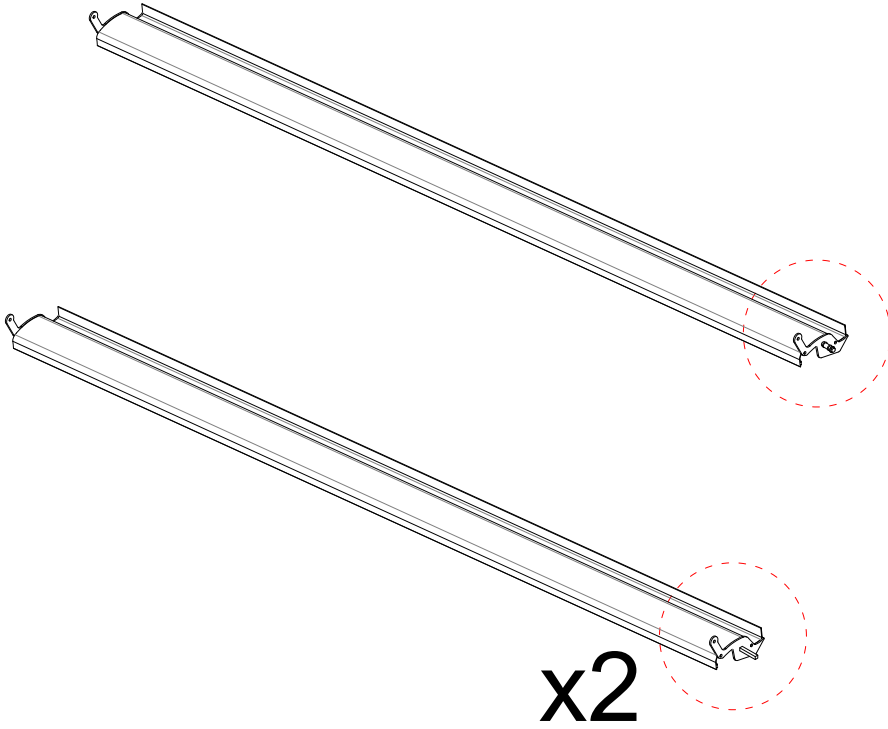
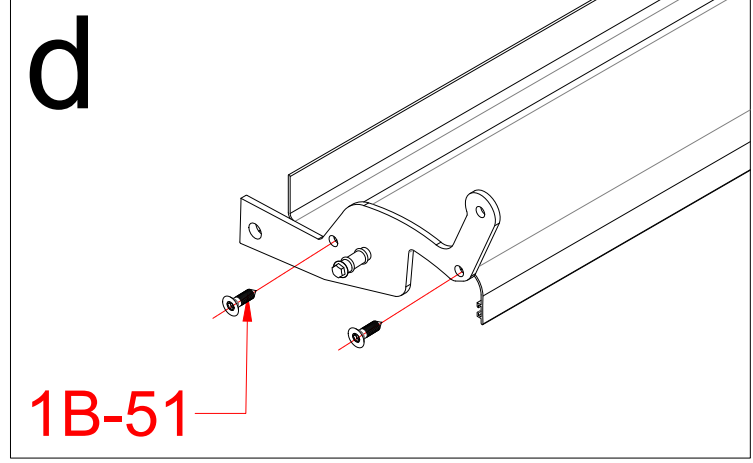
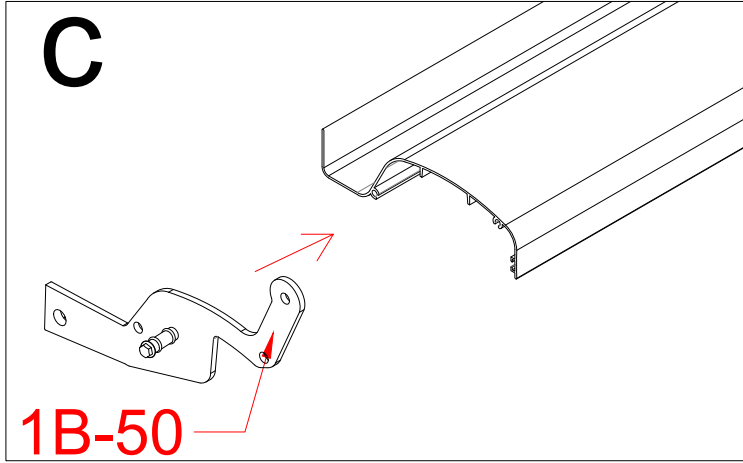
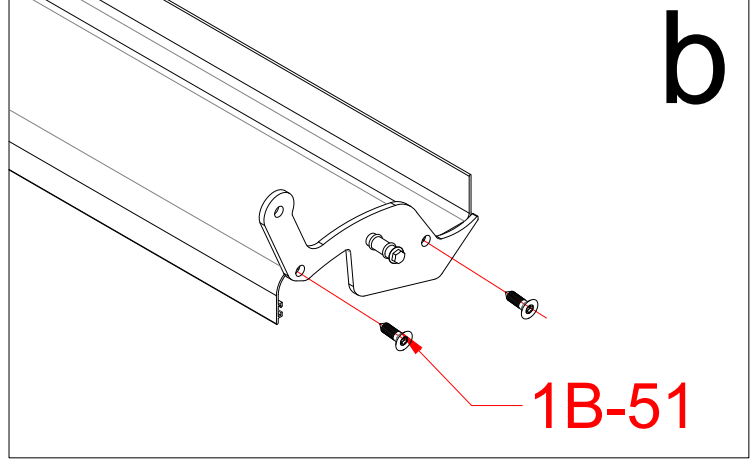
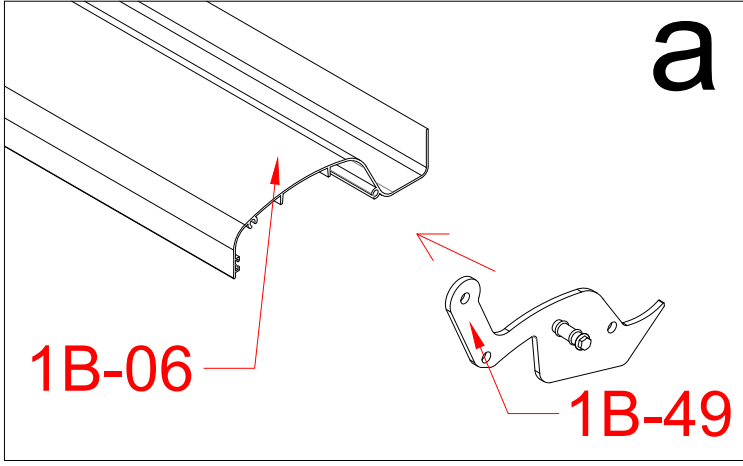
1B-24		1
1B-12		4





1B-58		1
1B-51	 M3.5*25	130
1B-06		67
1B-48		65

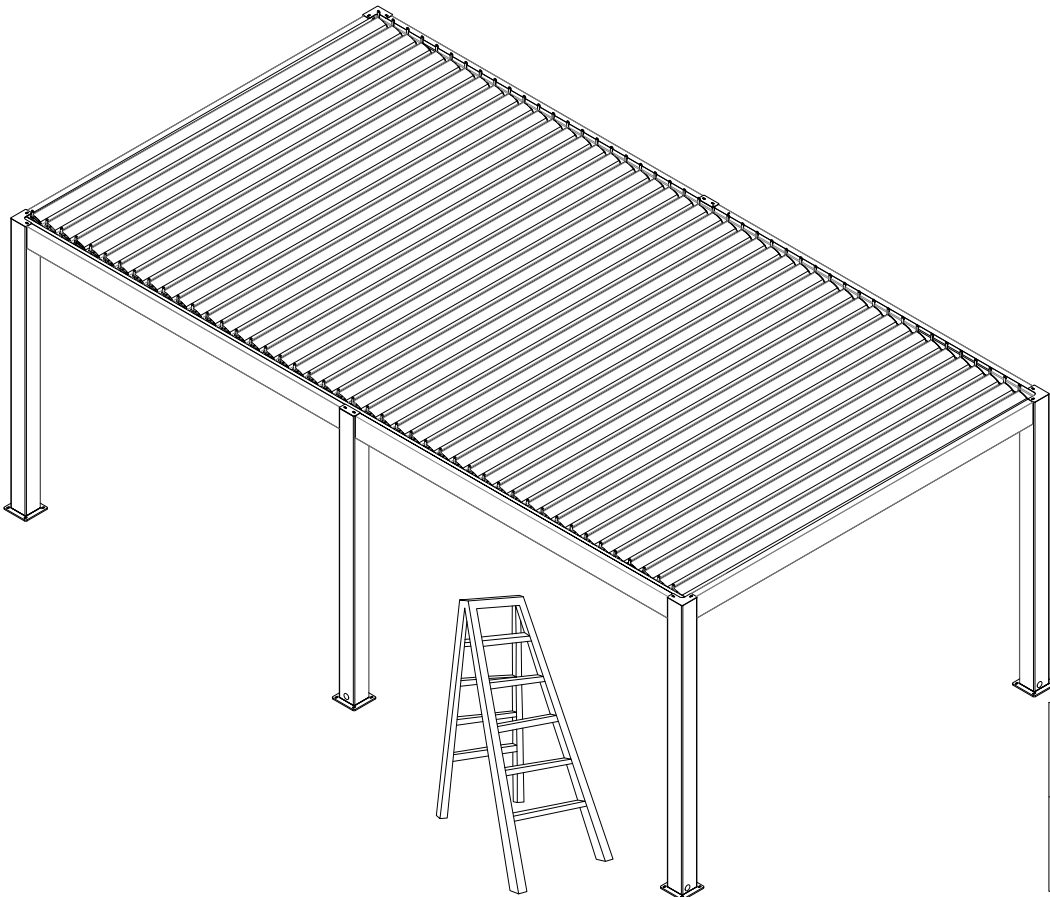
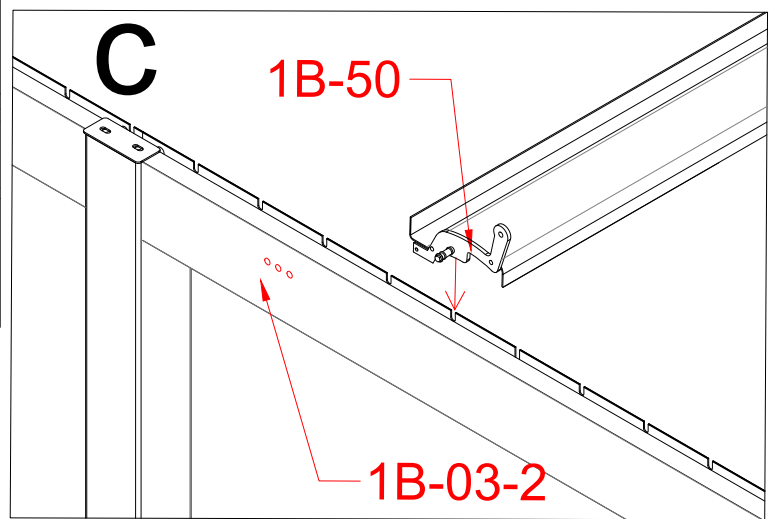
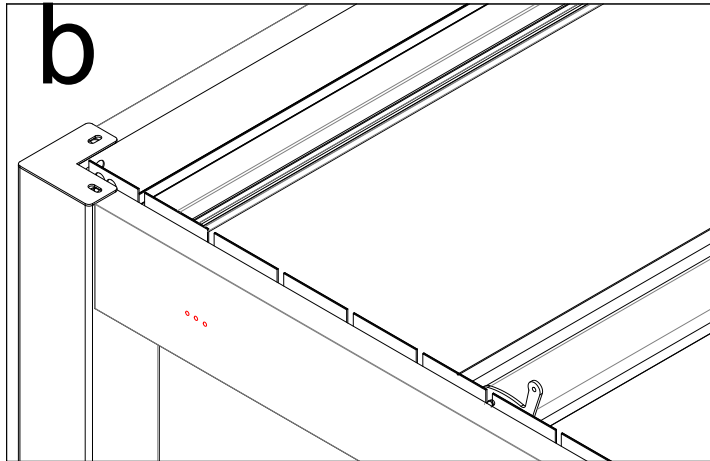
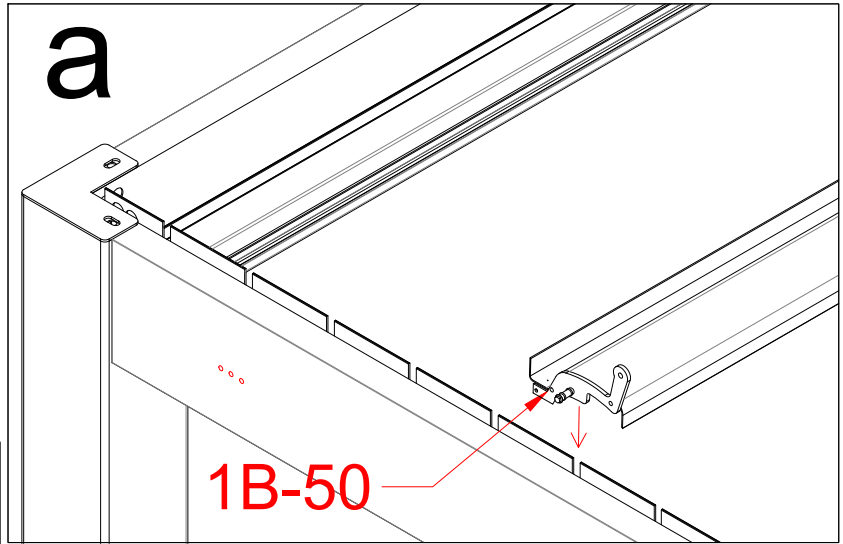




1B-58		1
1B-49		67
1B-50		2
1B-51		138

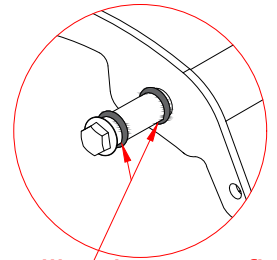
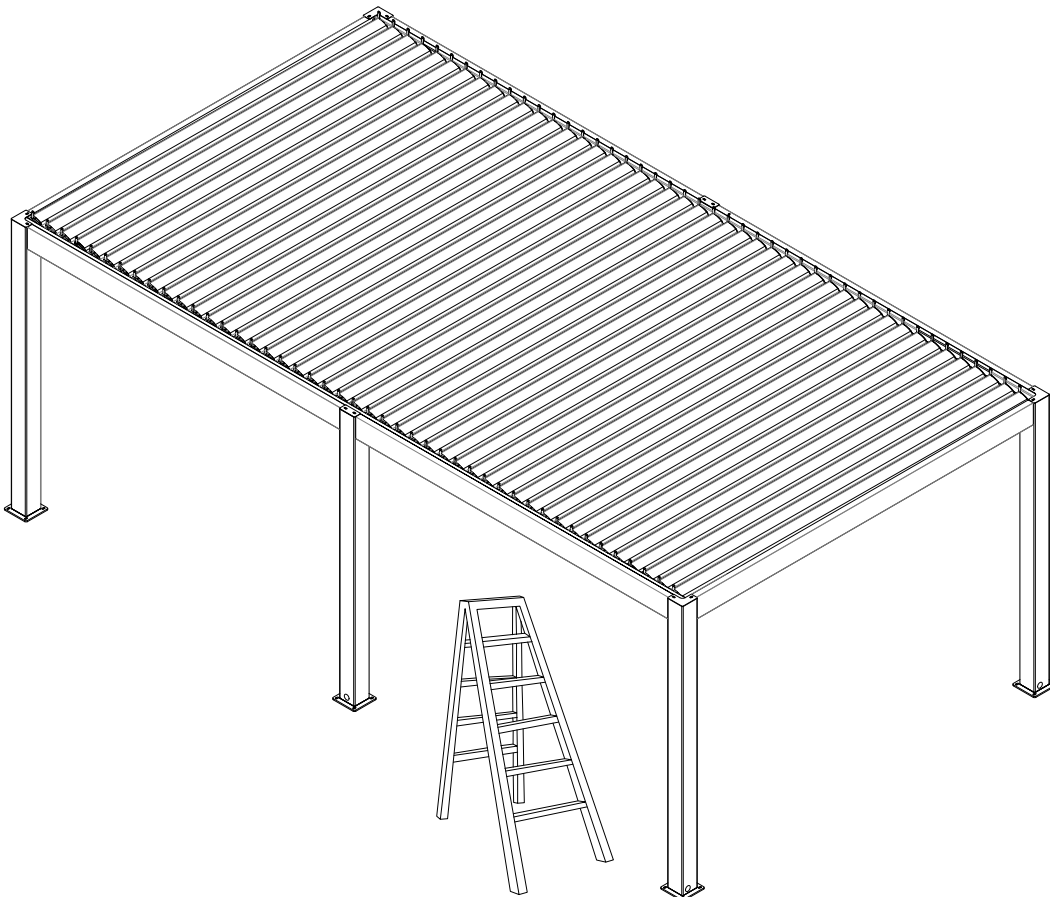
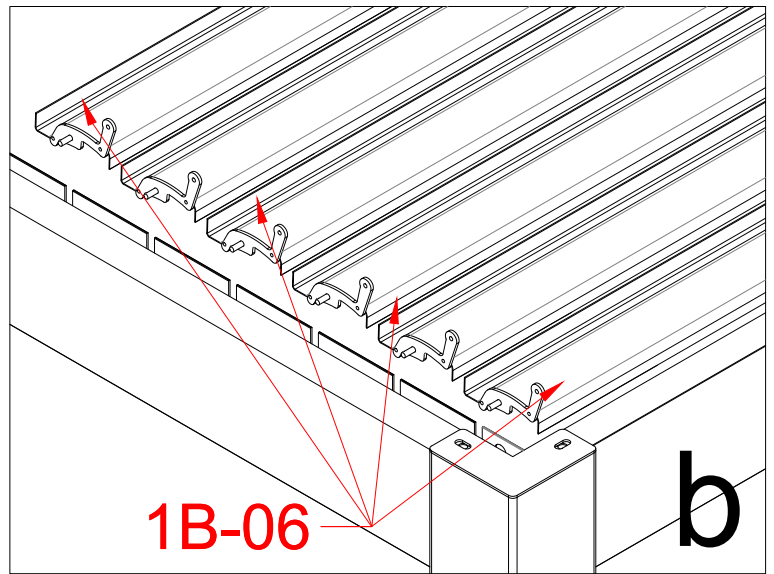
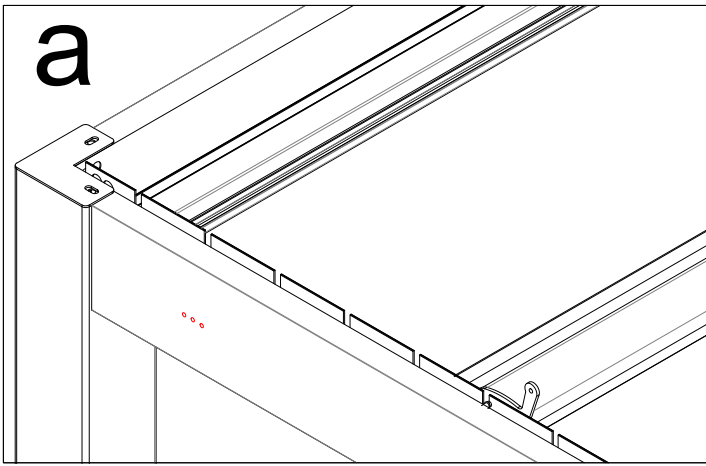






1B-50		2
1B-06		2



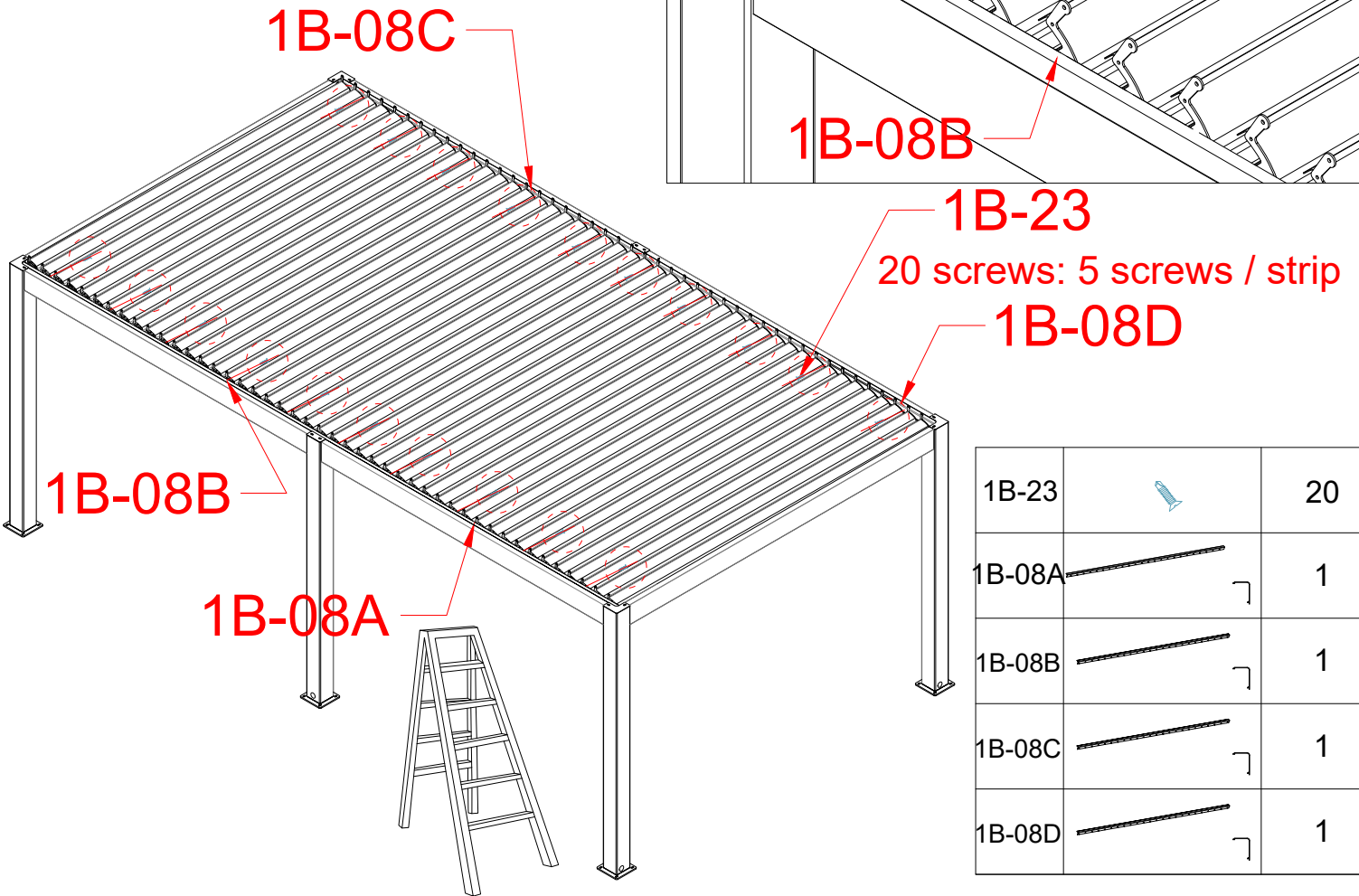
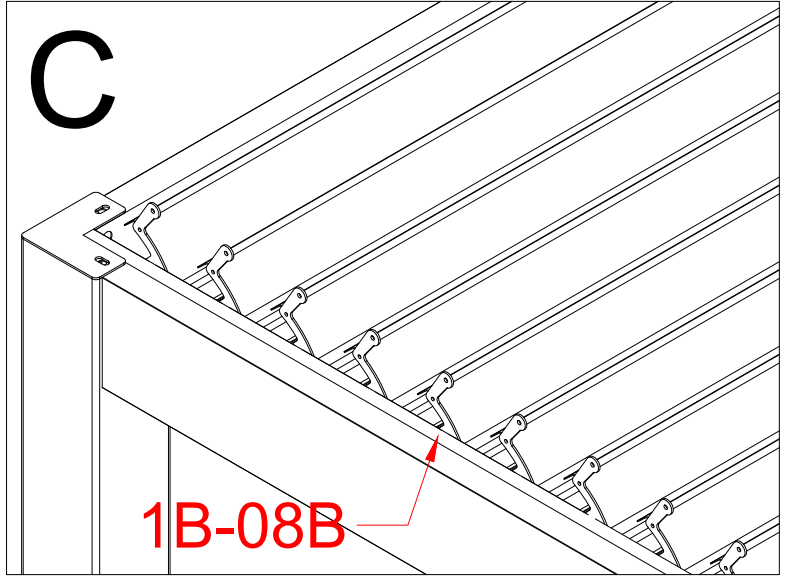
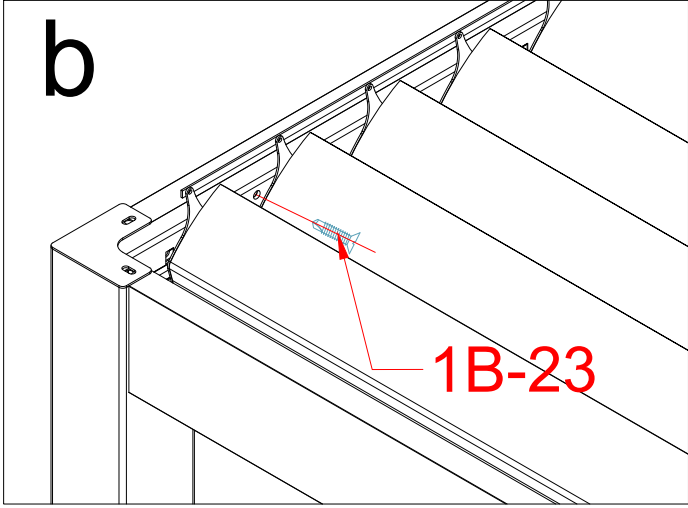
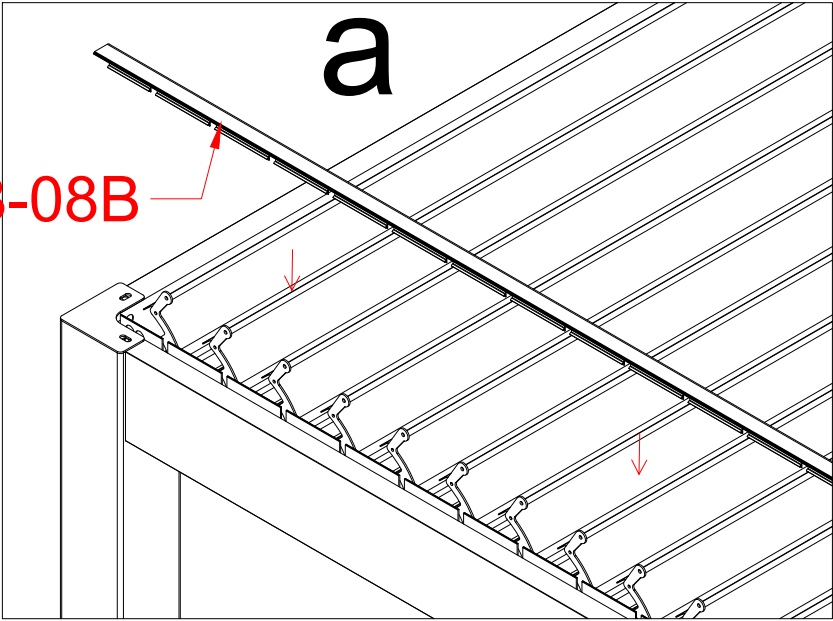


When installing louvers, first separate the two rubber gaskets and slide them to both ends of the circular shaft. Then, please ensure they are closed tightly before proceeding with the next steps of the installation.

1B-06		65
-------	--	----

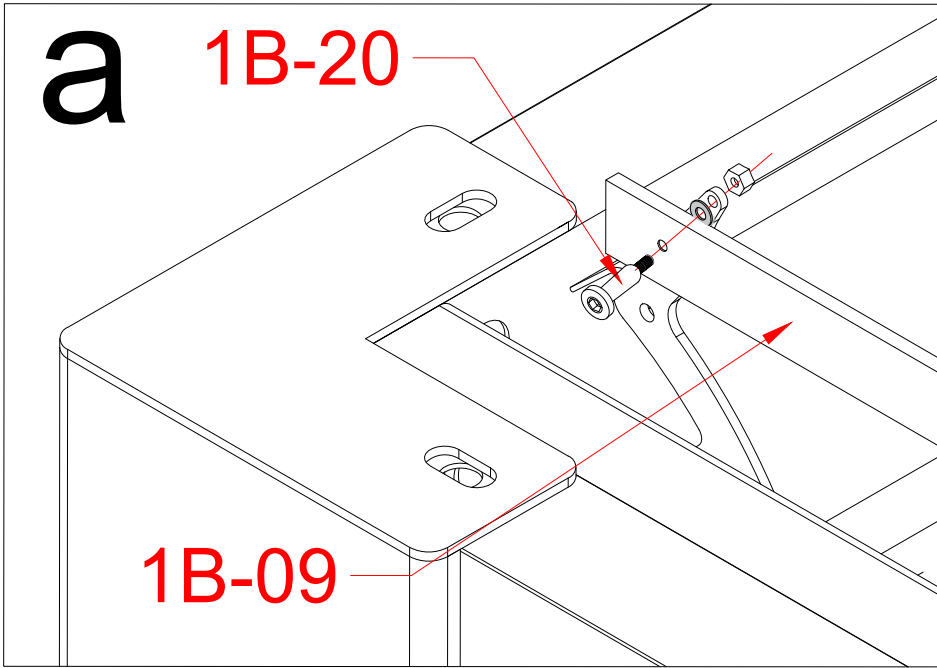




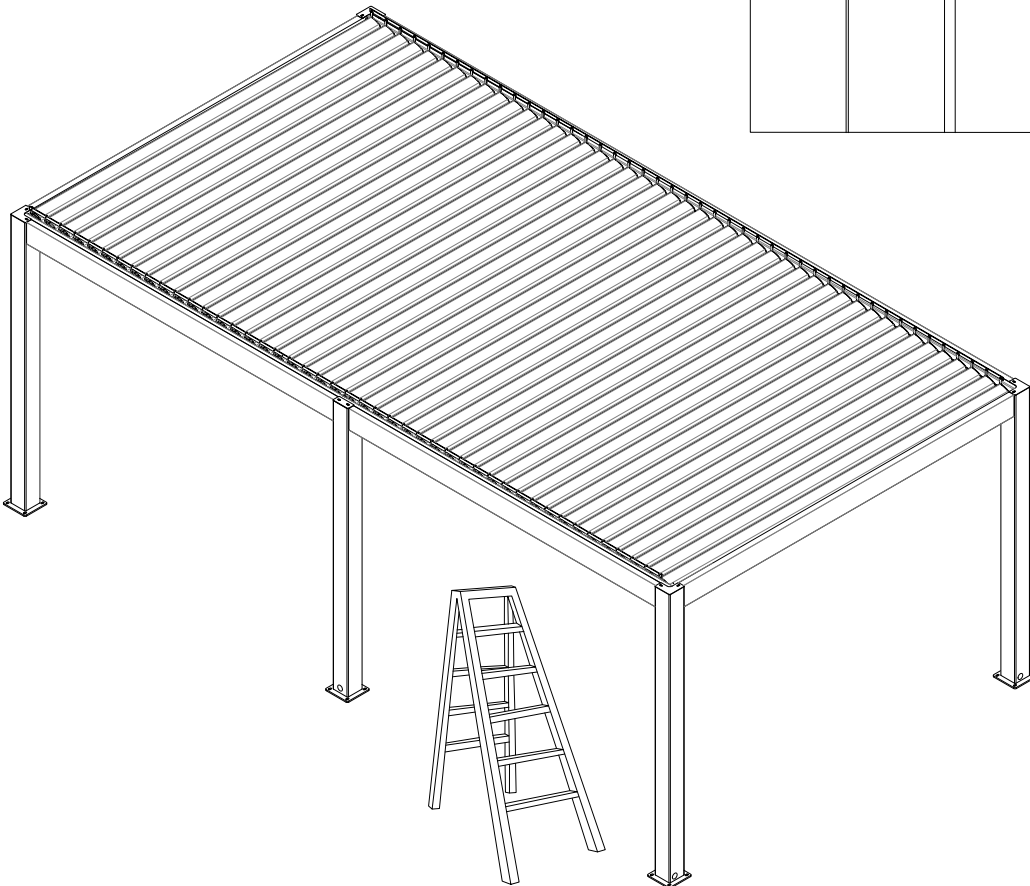
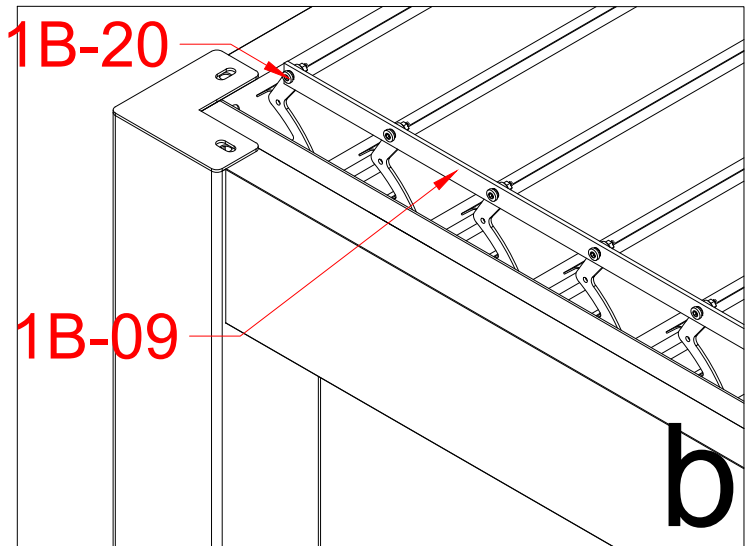


1B-23		20
1B-08A		1
1B-08B		1
1B-08C		1
1B-08D		1



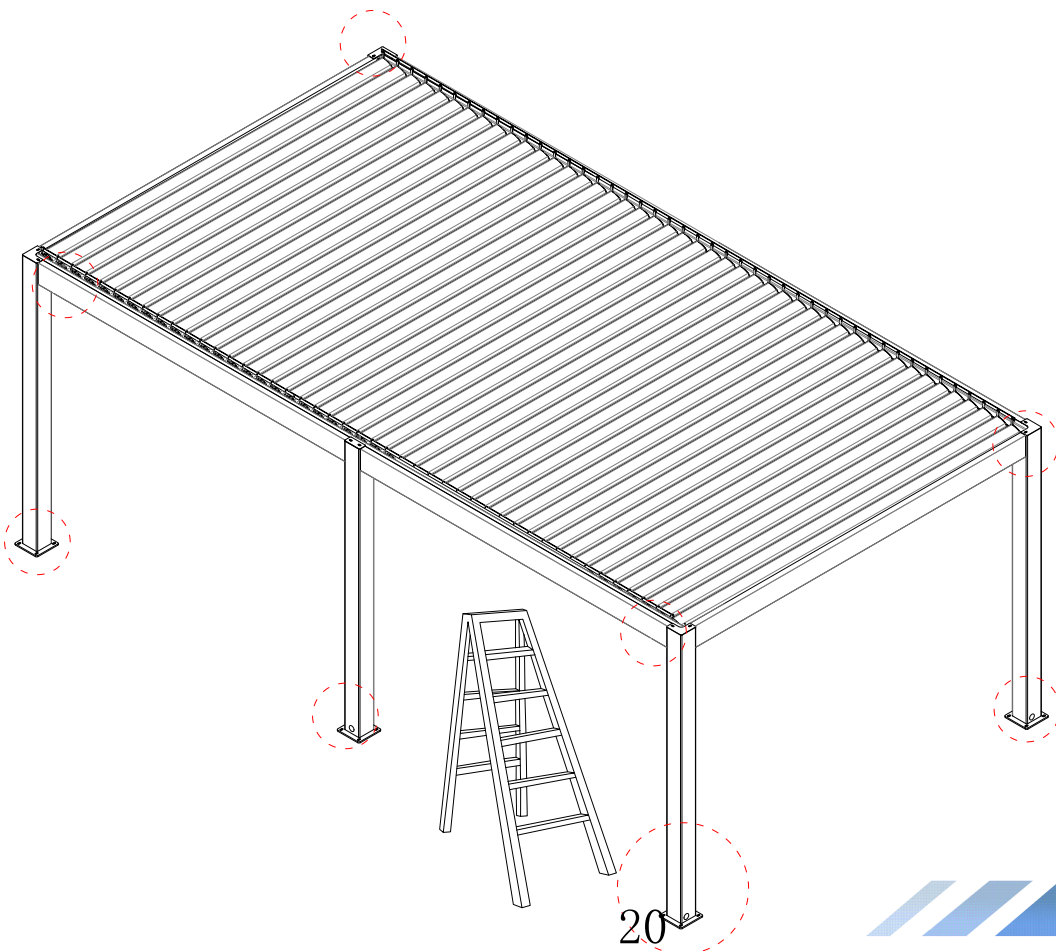
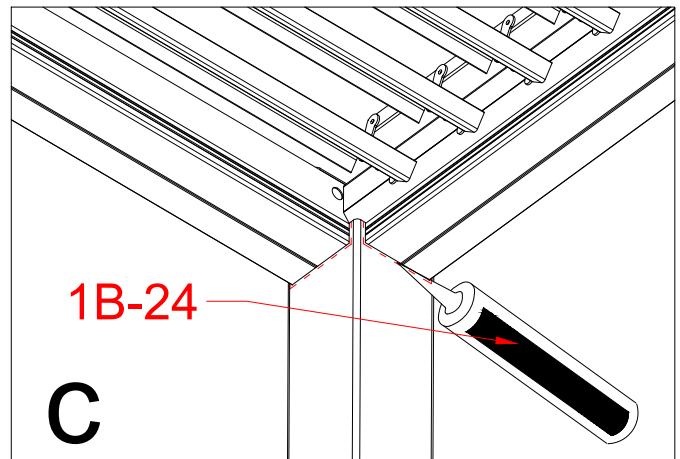
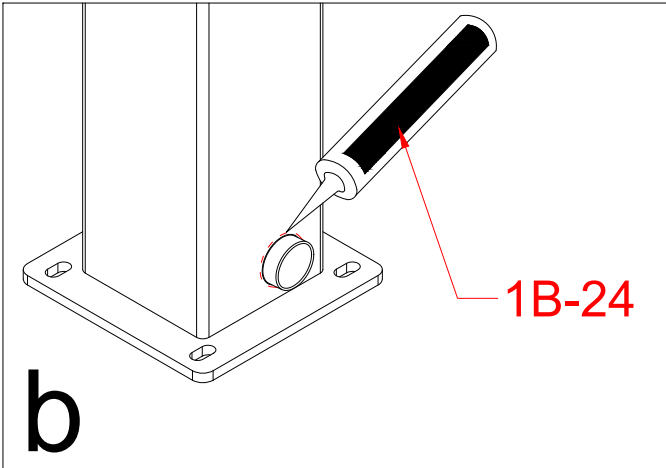
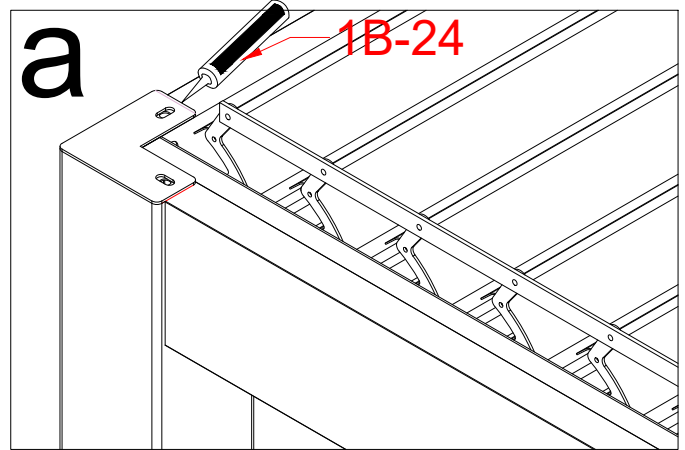


warning:  
Bolts must be tightened



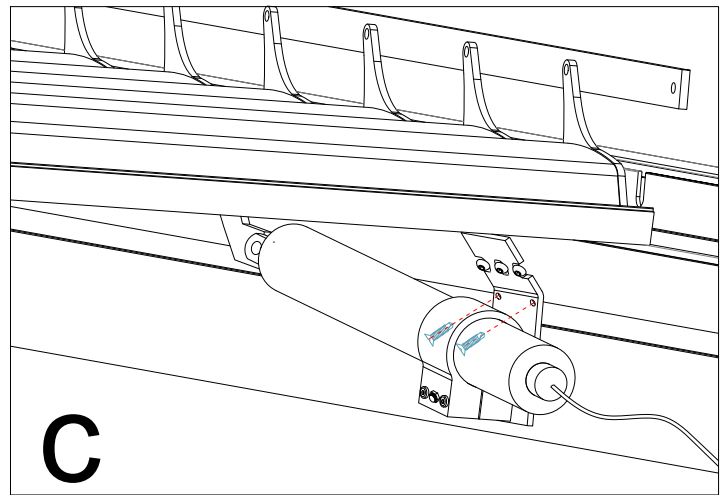
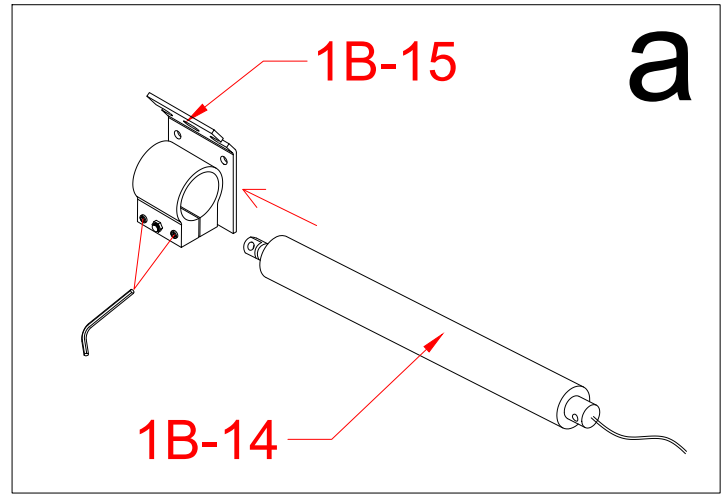
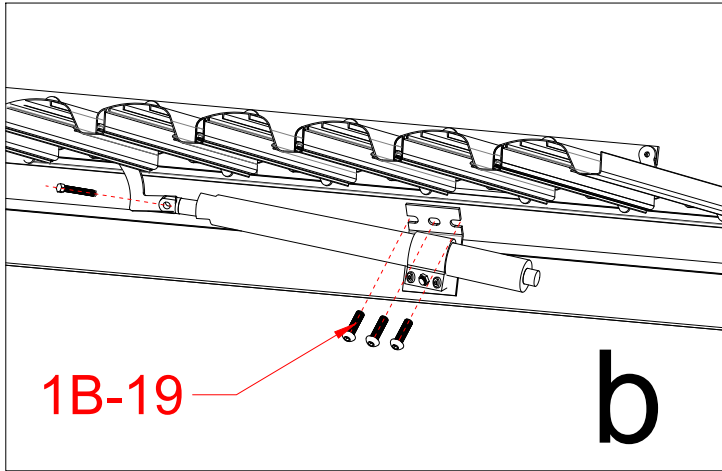
1B-09		4
1B-20		96






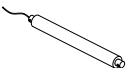

1B-24		1
-------	---	---





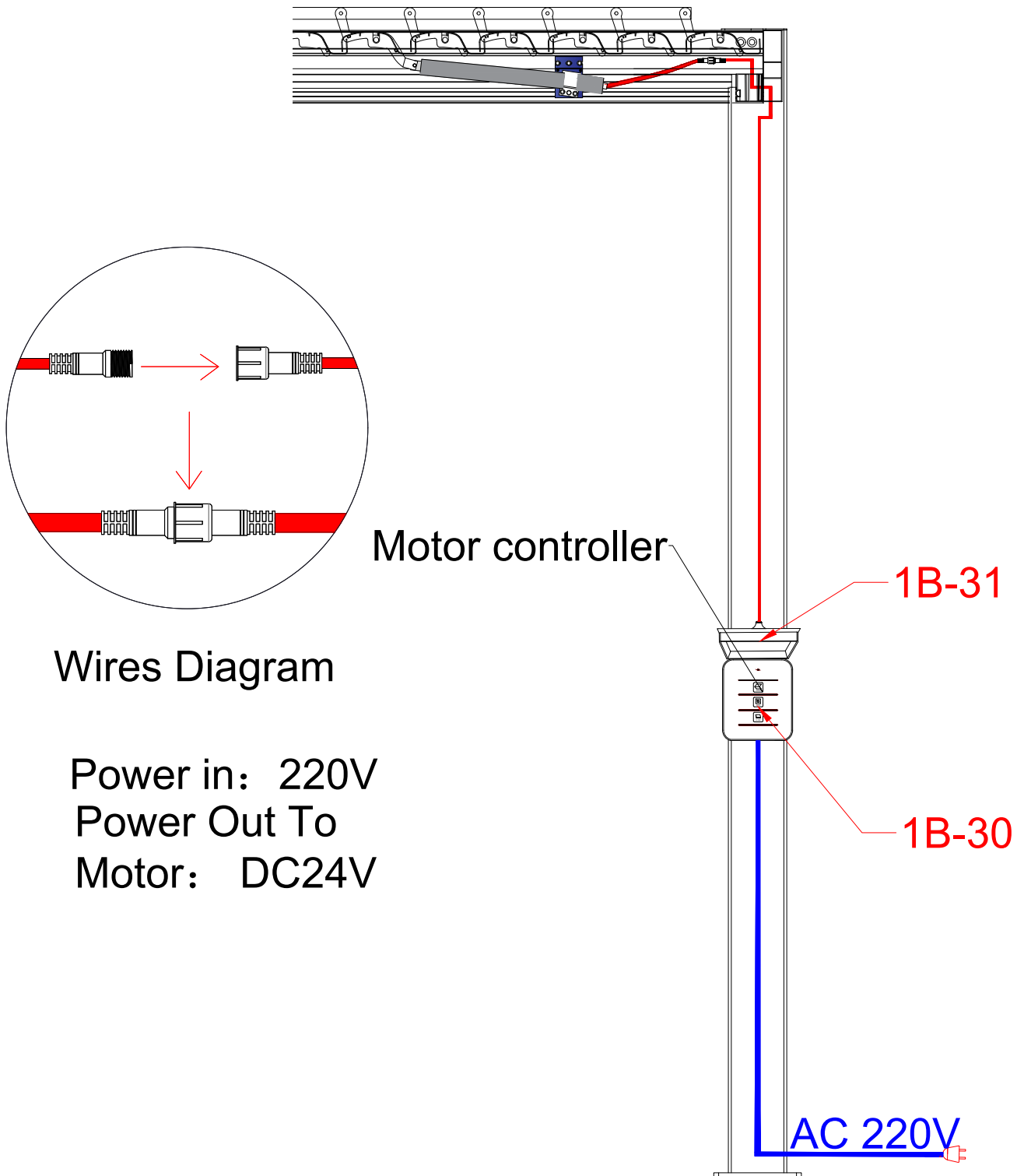
**Warning**  
 In Snow / Wind season or in  
 case of snow / wind forecast  
 open up your shutters in vertical  
 position to avoid any damaging  
 on your pergola.



1B-19		3
1B-14		2
1B-15		2






# The control box is on the post



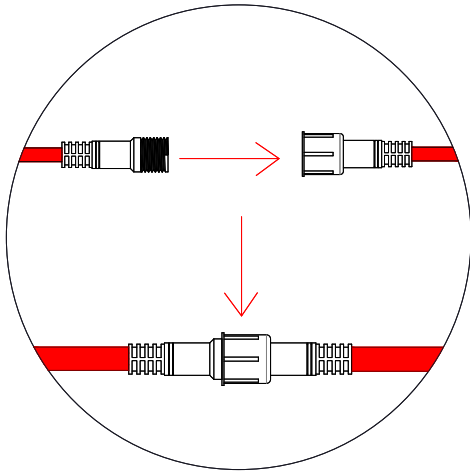
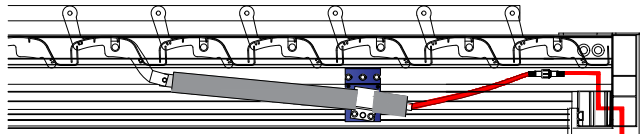
Wires Diagram

Power in: 220V  
 Power Out To  
 Motor: DC24V

1B-30	 	2
1B-31		2



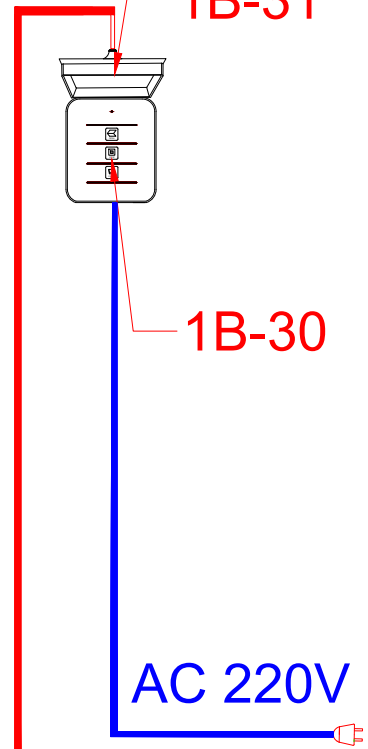
The control box is not on the post



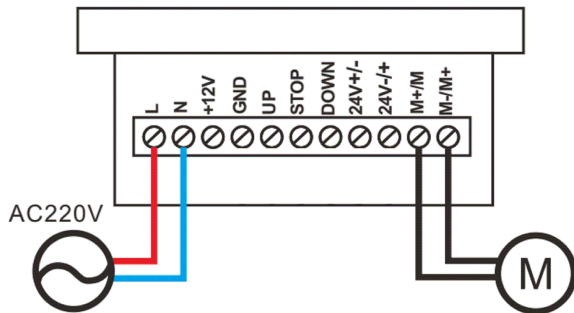
Wires Diagram

Power in: 220V  
Power Out To Motor: DC24V

MOTOR 1B-31



E022  
E012



1B-30		2
1B-31		2

