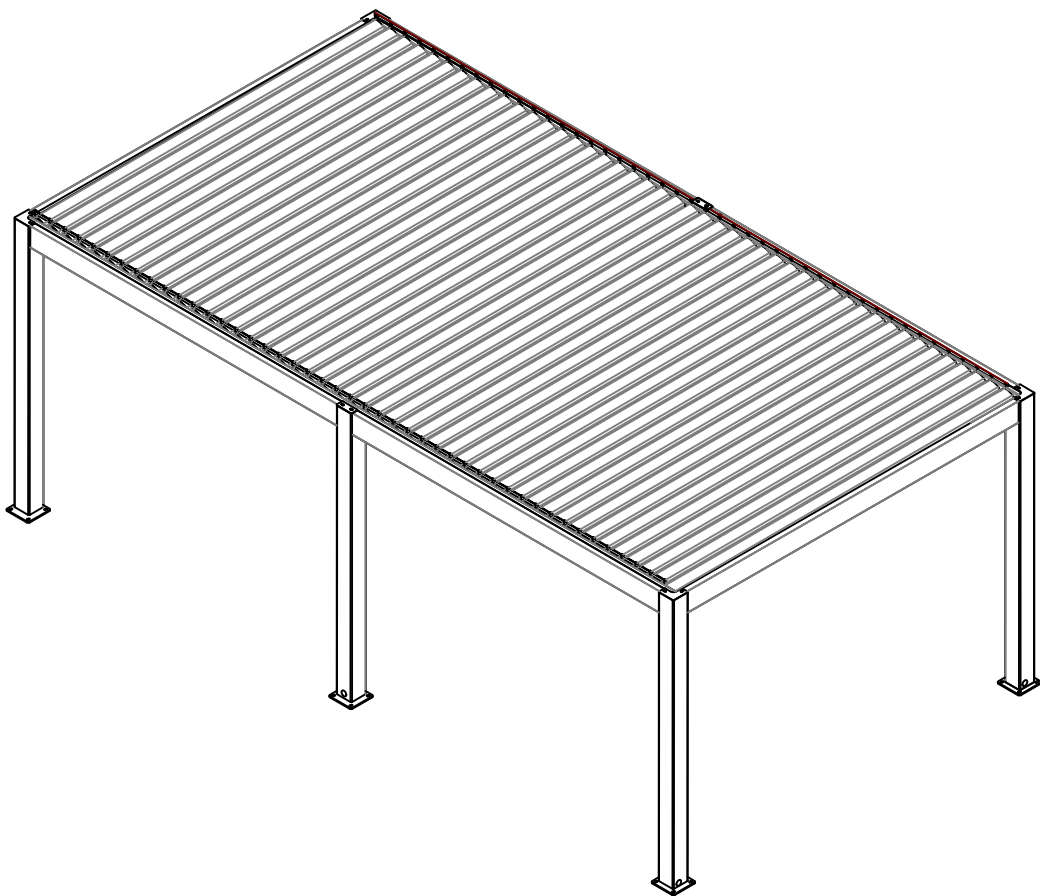
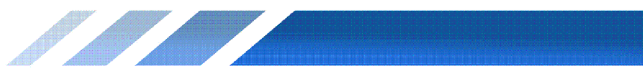
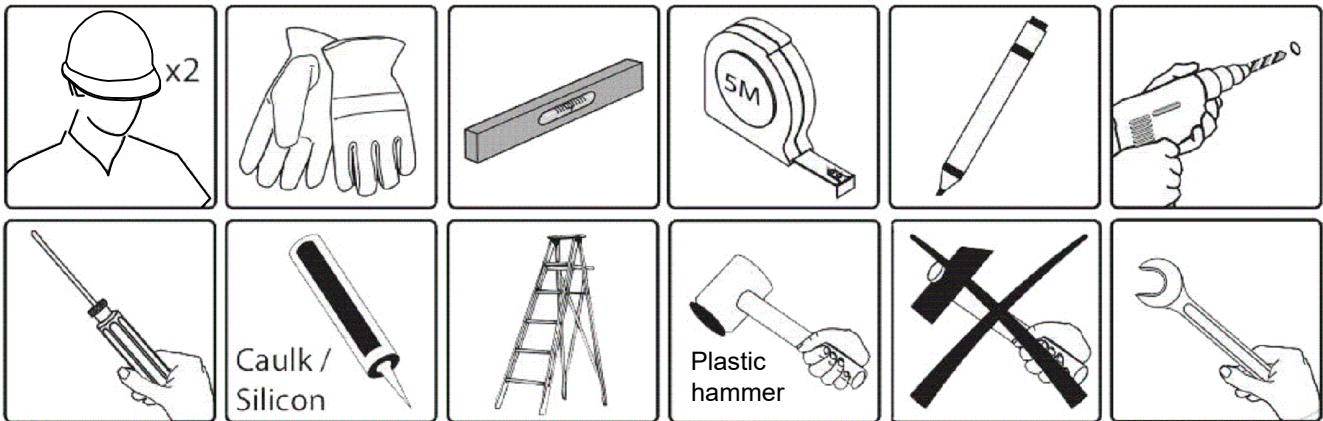
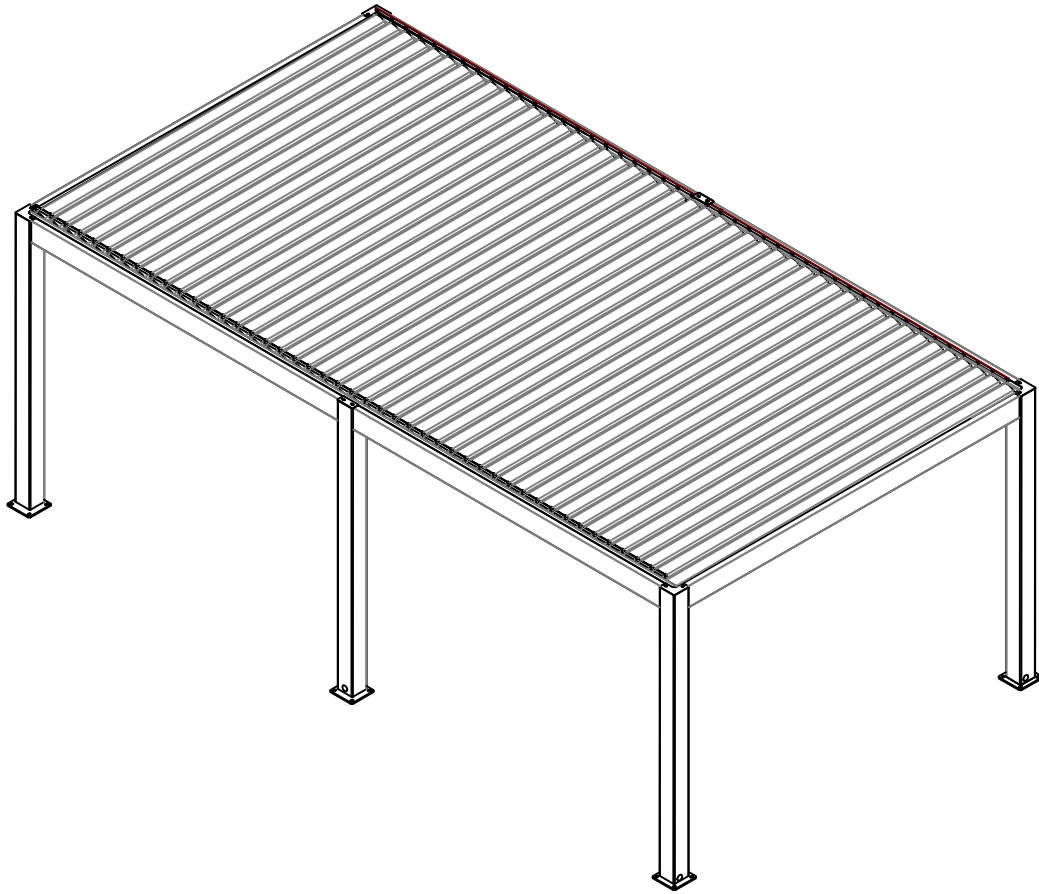




KING PERGOLA FREE STANDING 6 POSTS

ELECTRIC 3×6m

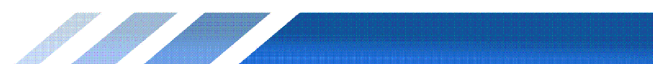




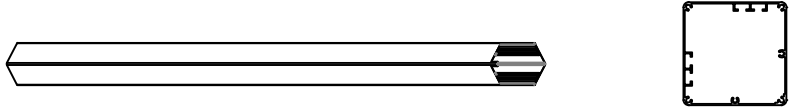
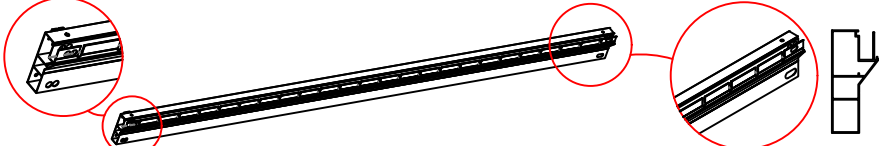
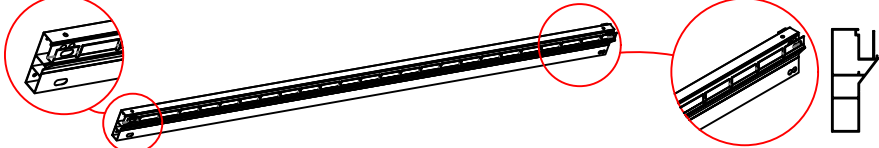
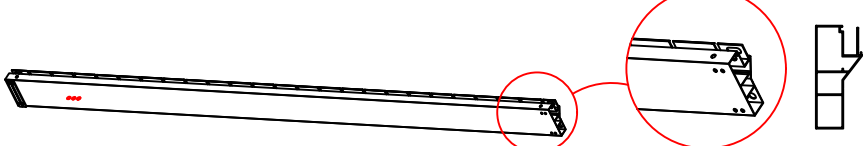
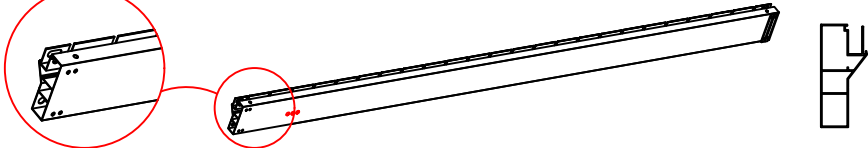
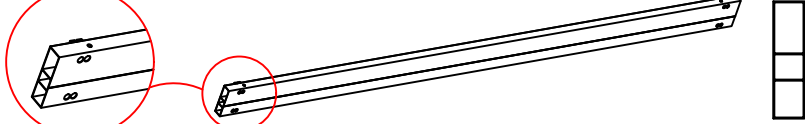





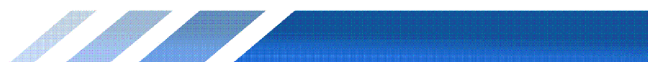
3×6m

	Item	Qty	Item	Qty	Item	Qty
Carton 1/5	1B-01	4				
Carton 2/5	1B-27	2	1B-11	4	1B-12	4
	1B-13	4	1B-13B	2	1B-14	2
	1B-15	2	1B-18	1	1B-19	12+
	1B-20	96+	1B-21	24+	1B-22	36+
	1B-23	44+	1B-24	1	1B-26	2
	1B-32	2	1B-33	2	1B-45	8
	1B-46	8	1B-48	46+	1B-49	48+
	1B-50	2	1B-51	192+	1B-58	1
	1B-63	4				
Carton 3/5	1B-02	1	1B-02-2	1	1B-03	1
	1B-03-2	1	1B-04	2	1B-05	2
	1B-05-2	4	1B-08A	1	1B-08B	1
	1B-08C	1	1B-08D	1	1B-09	4
	1B-29	4				
Carton 4/5	1B-06	24				
Carton 5/5	1B-06	24				

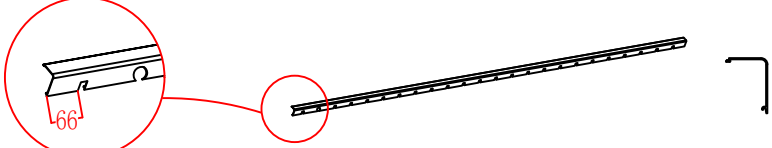
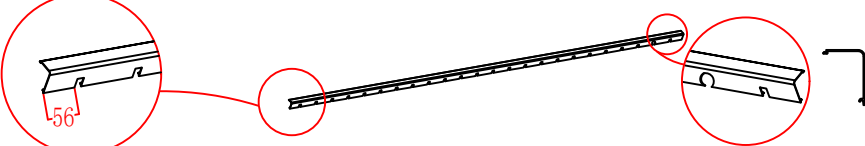
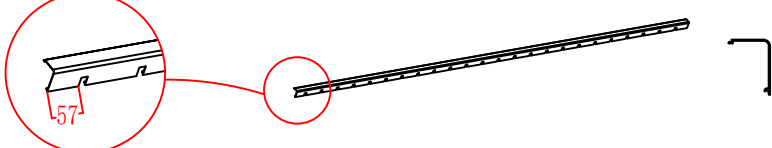
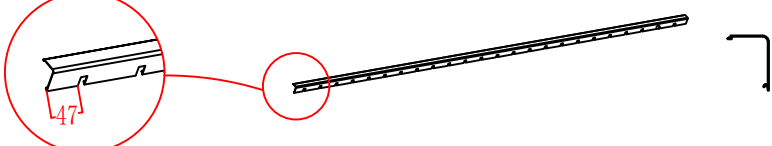
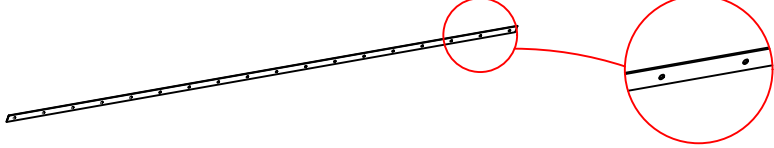
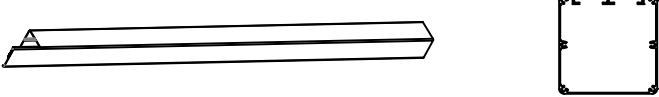
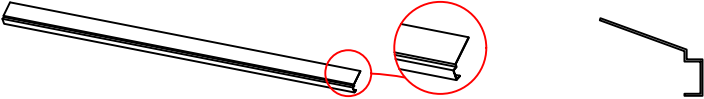


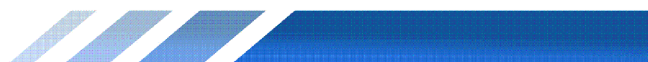


Item	Drawings	Qty
1B-01		4
1B-02		1
1B-02-2		1
1B-03		1
1B-03-2		1
1B-04		2
1B-05		2
1B-05-2		4
1B-06		48





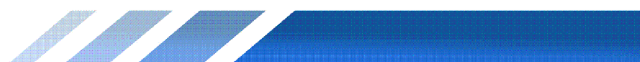
Item	Drawings	Qty
1B-08A		1
1B-08B		1
1B-08C		1
1B-08D		1
1B-09		4
1B-27		2
1B-29		4





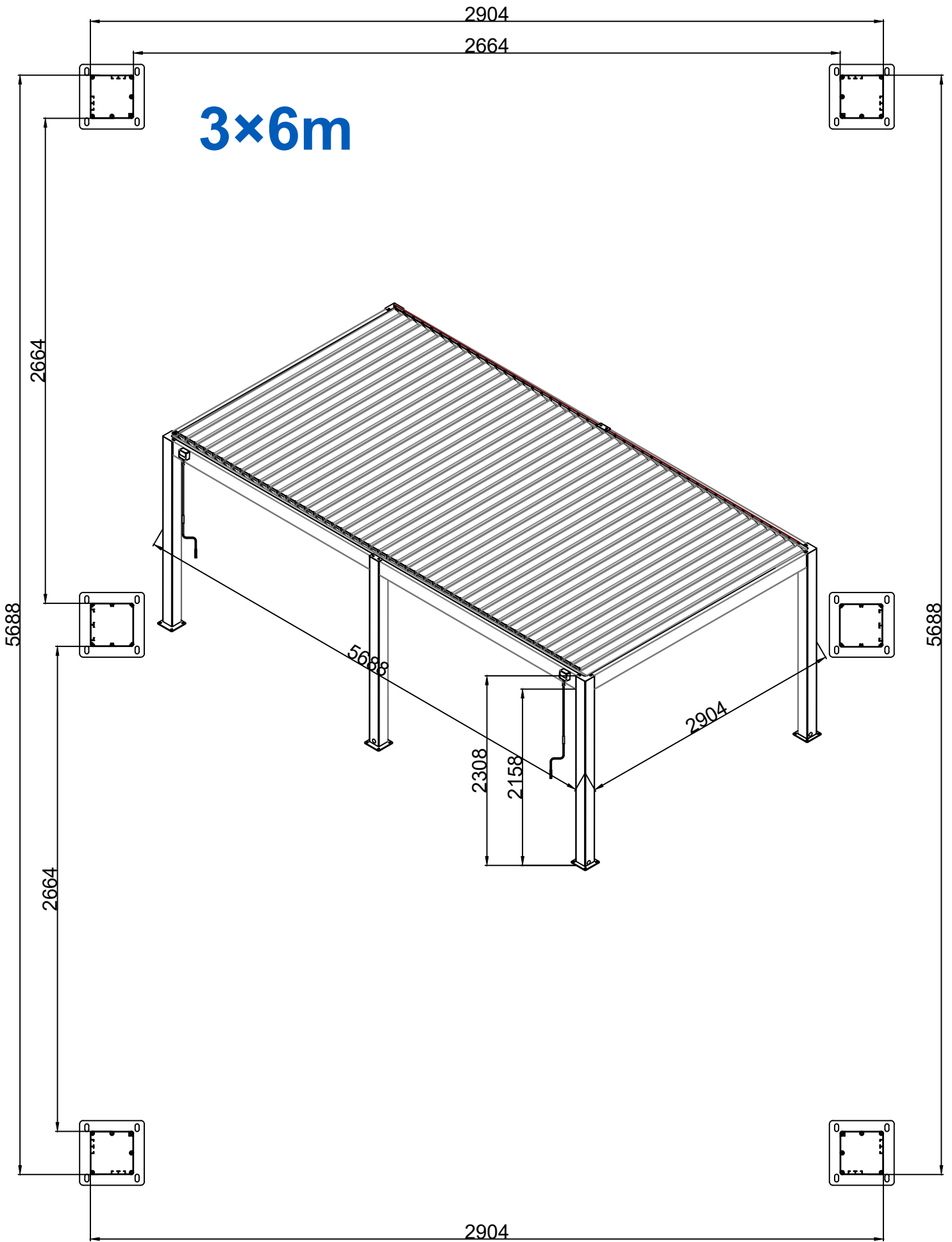
Item	Drawings	Qty
1B-11		4
1B-12		4
1B-13		4
1B-13B		2
1B-14		2
1B-15		2
1B-18		1
1B-19	 M8*20	12+
1B-20		96+
1B-21	 M10*80	24+
1B-22	 M5.5*50	36+
1B-23	 M4.2*19	44+

Item	Drawings	Qty
1B-24		1
1B-26		2
1B-32		2
1B-33		2
1B-48		46+
1B-49		48+
1B-50		2
1B-51	 M3.5*25	192+
1B-58		1
1B-45	 M8*12	8
1B-46	 Φ12-M8*12	8
1B-63		4

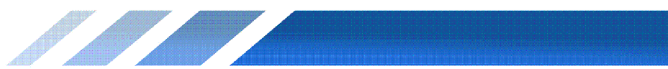




3×6m

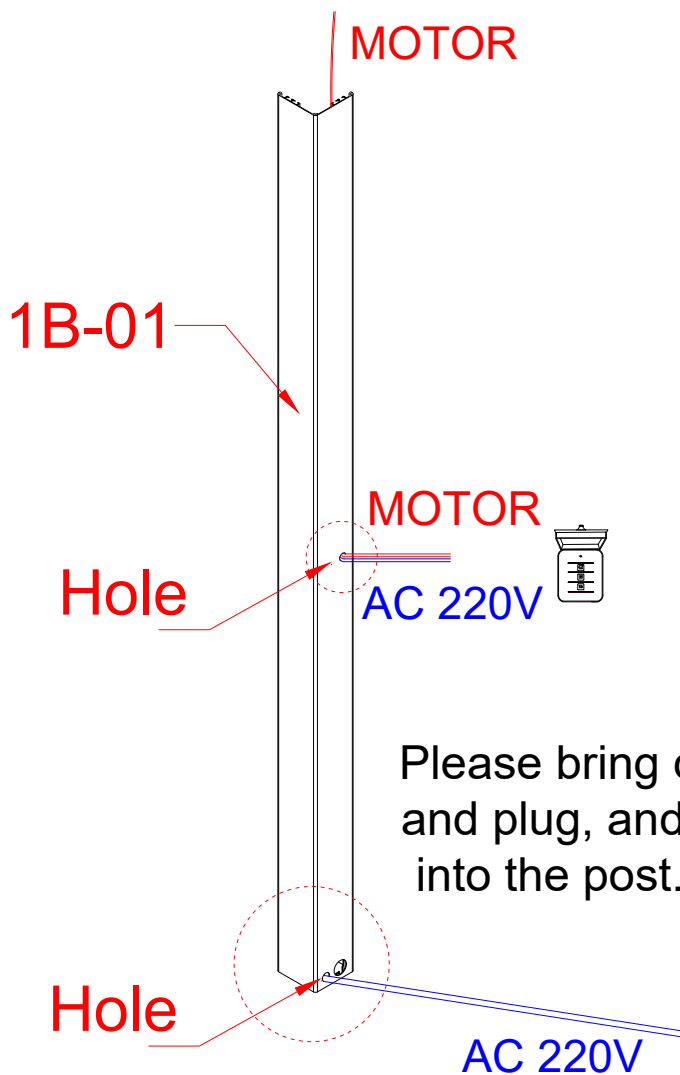
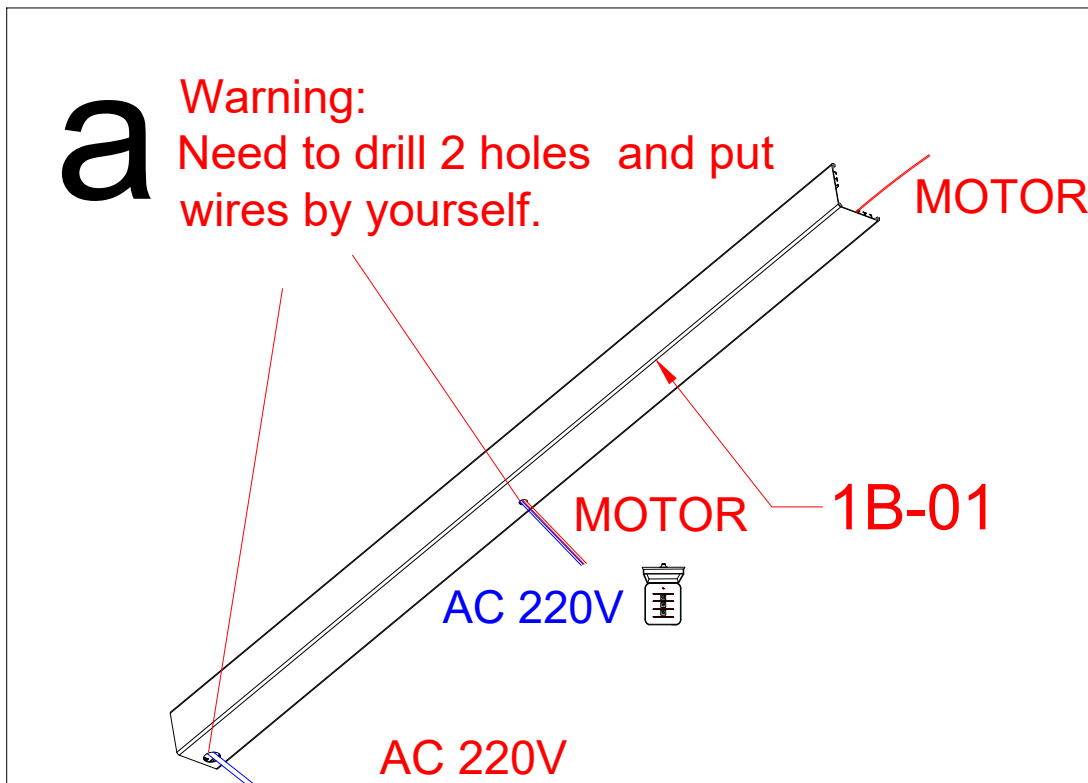


3×6-5





Motor Wires Diagram - The control box is on the post

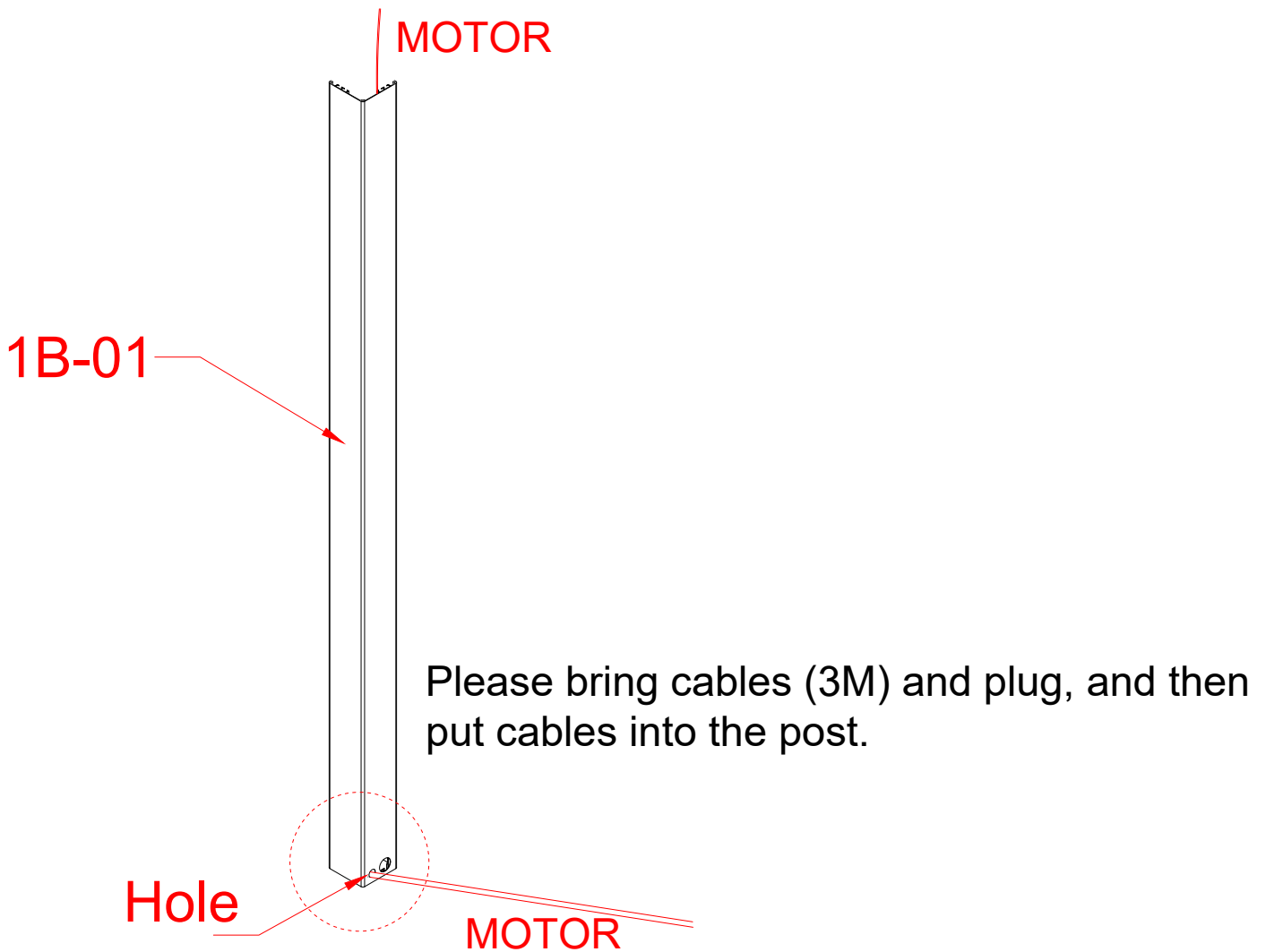
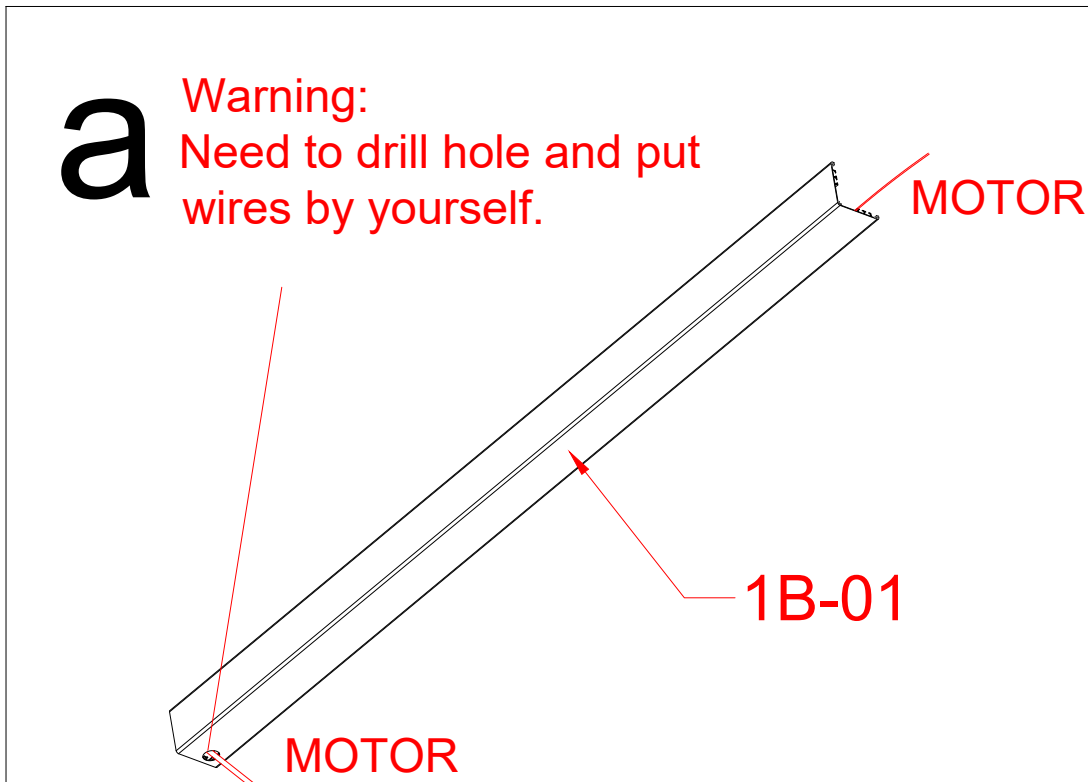


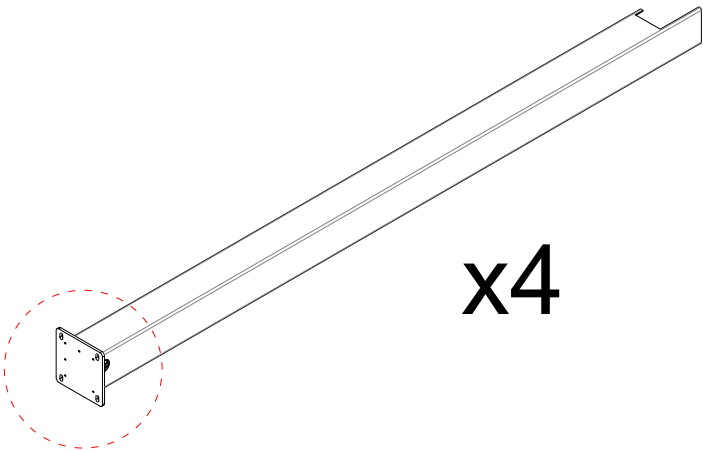
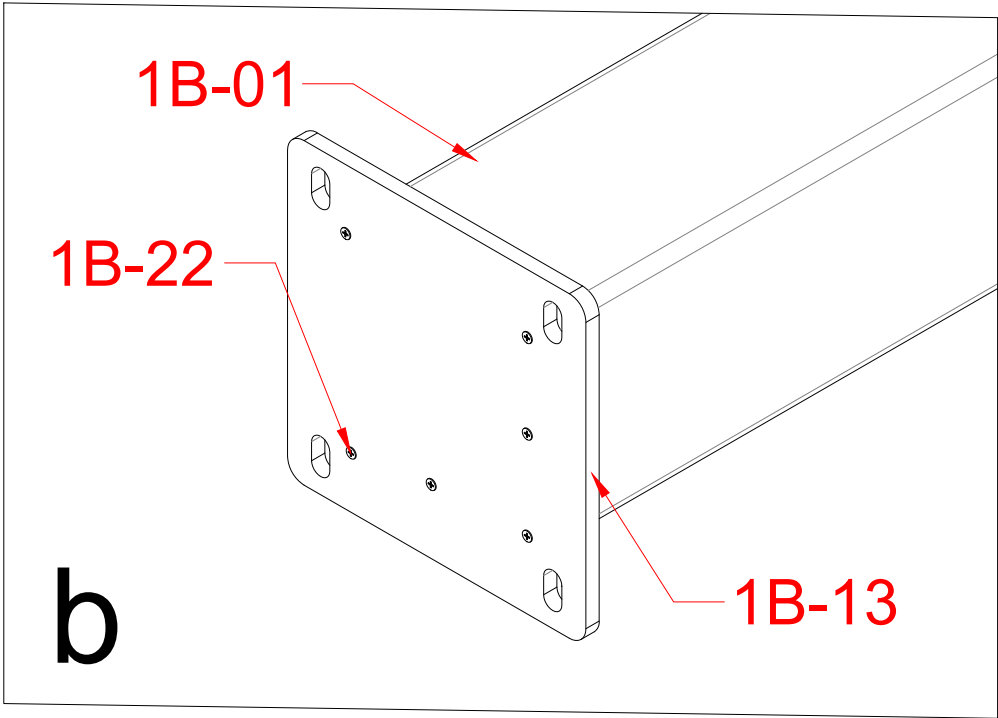
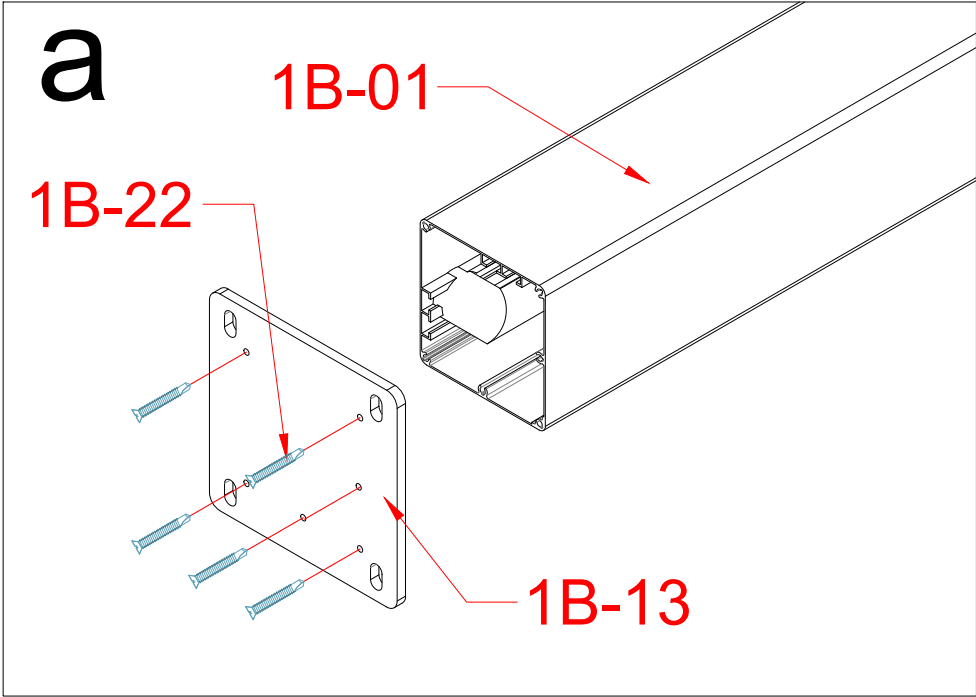
Please bring cables (1.5M), power cords (1.5M) and plug, and then put cables and power cords into the post.





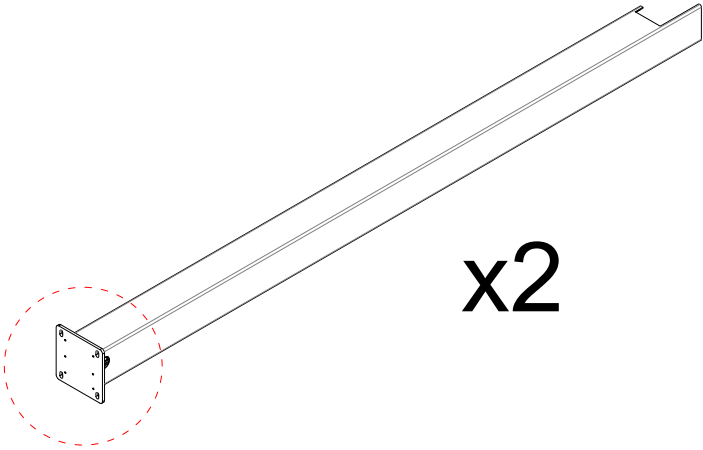
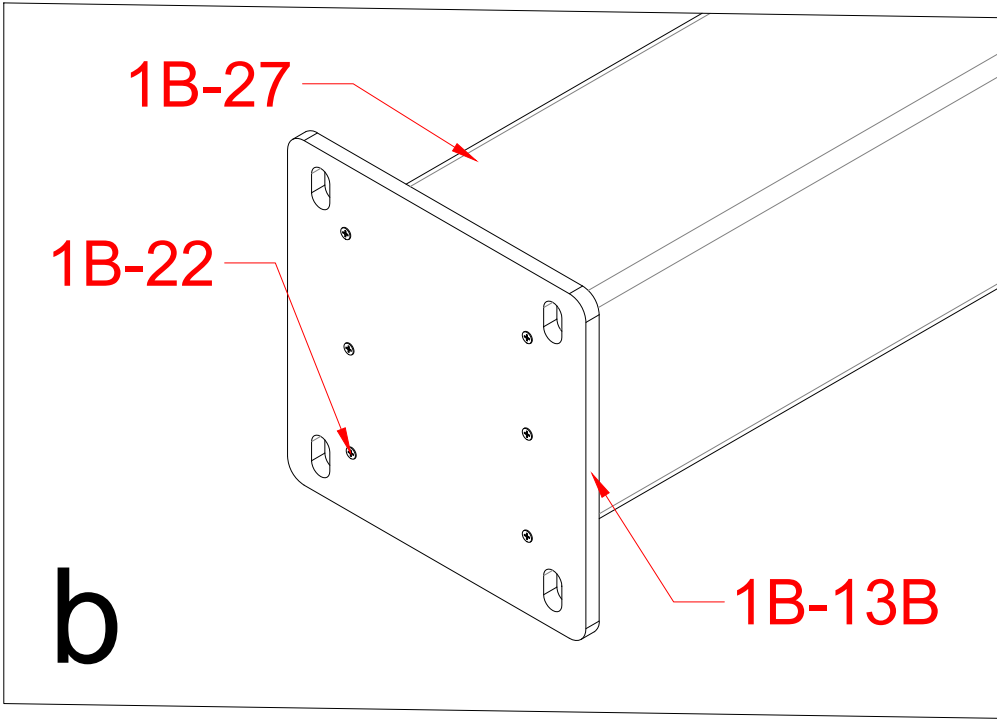
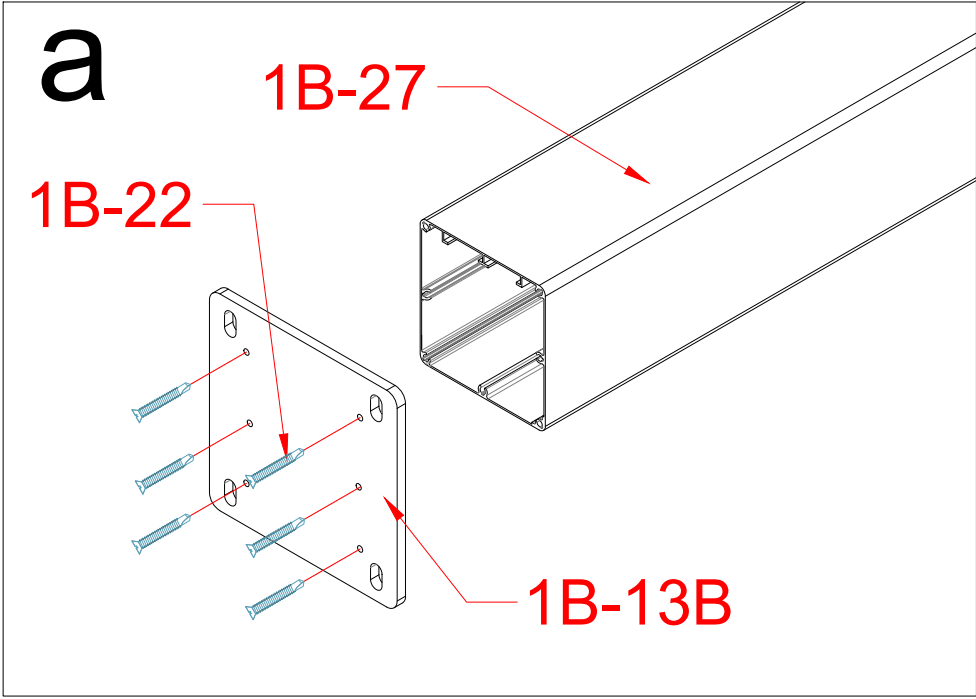
Motor Wires Diagram - The control box is not on the post




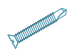




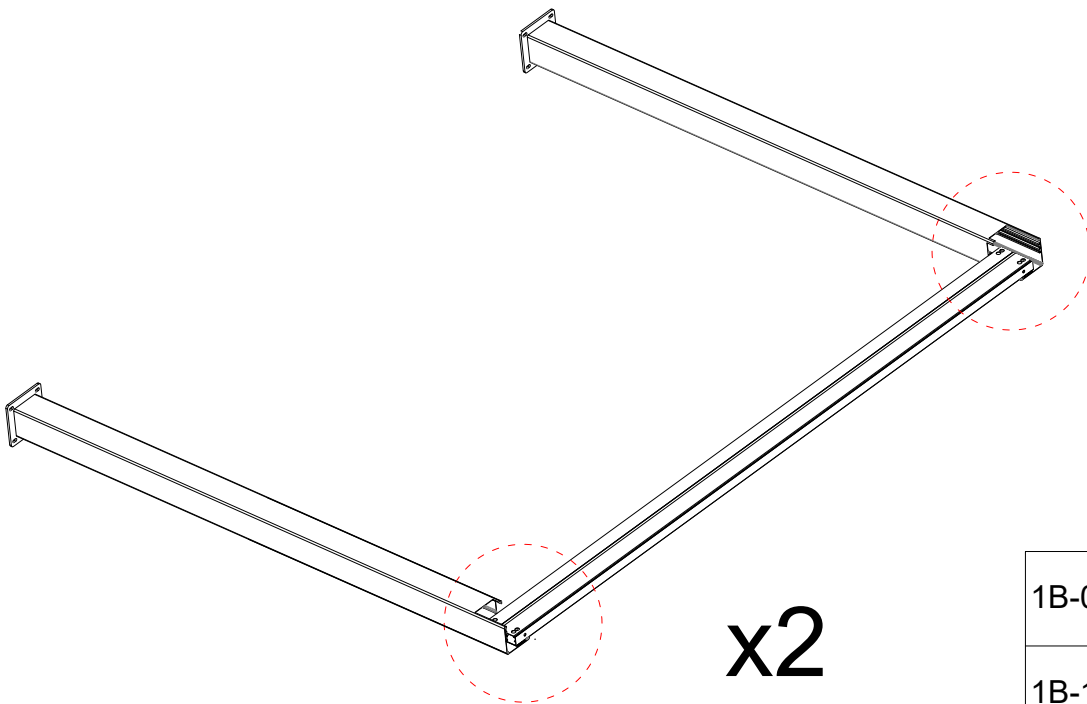
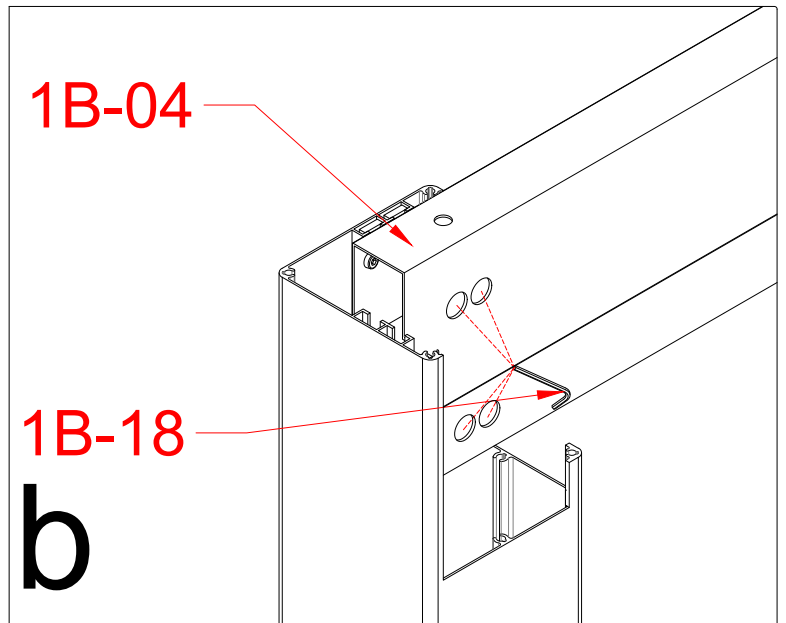
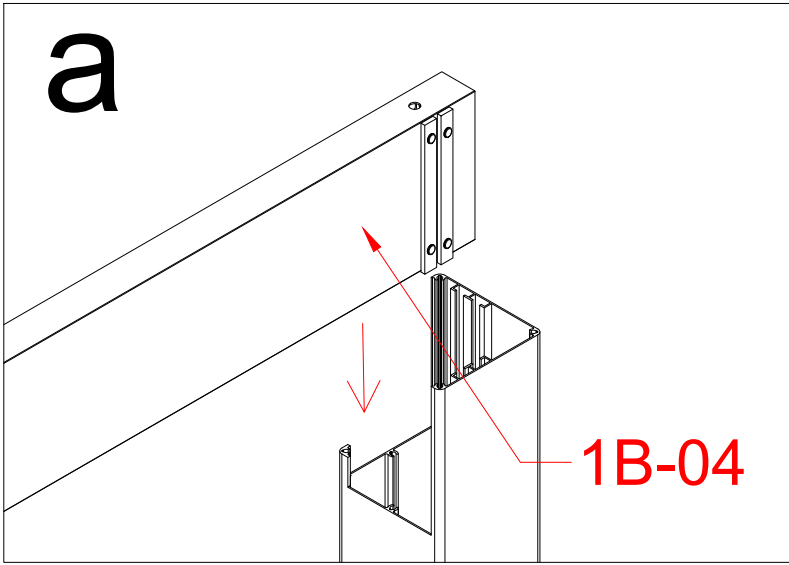
1B-01		4
1B-13		4
1B-22		24





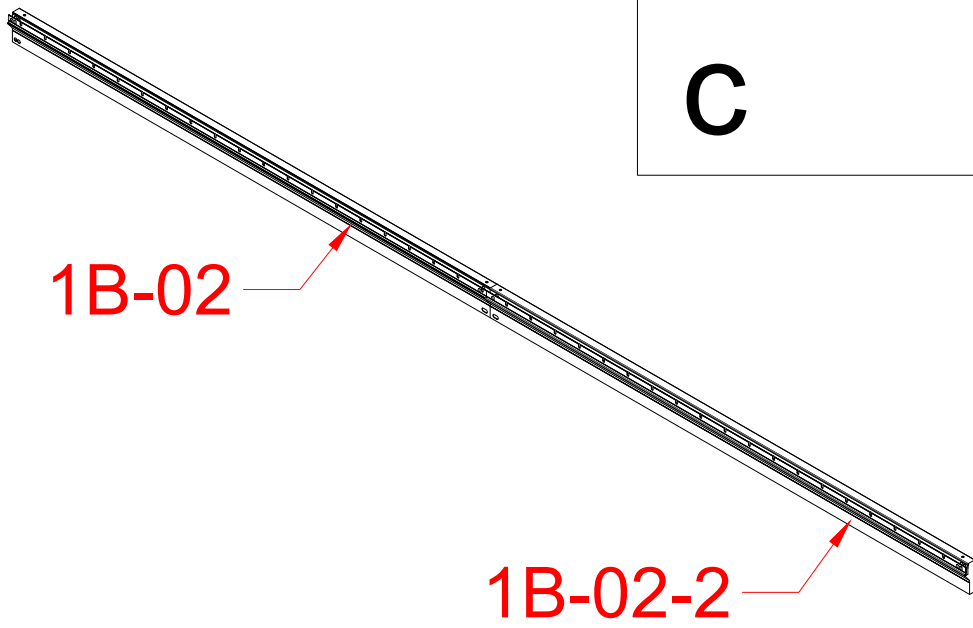
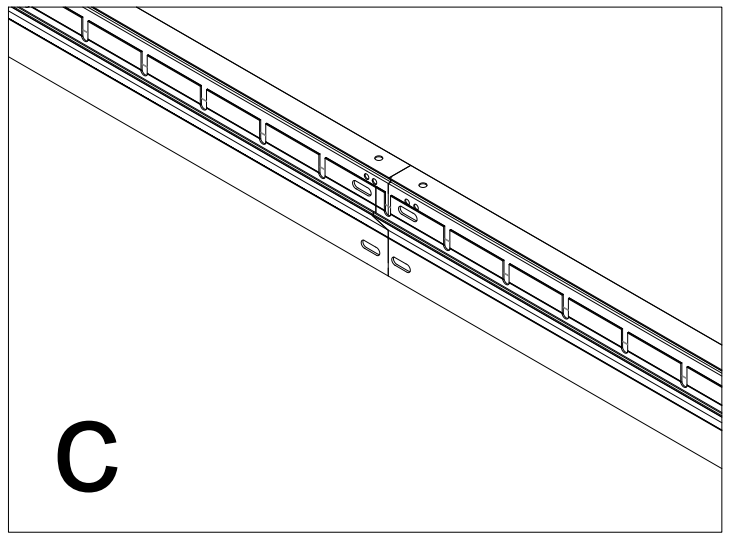
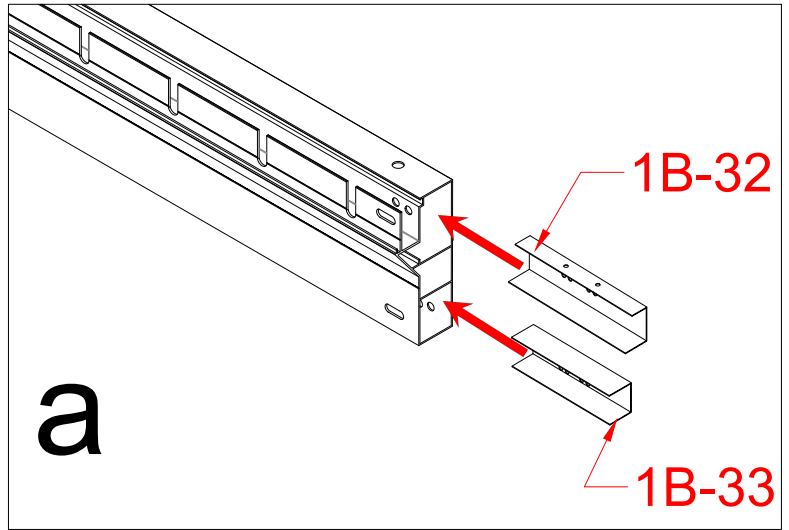
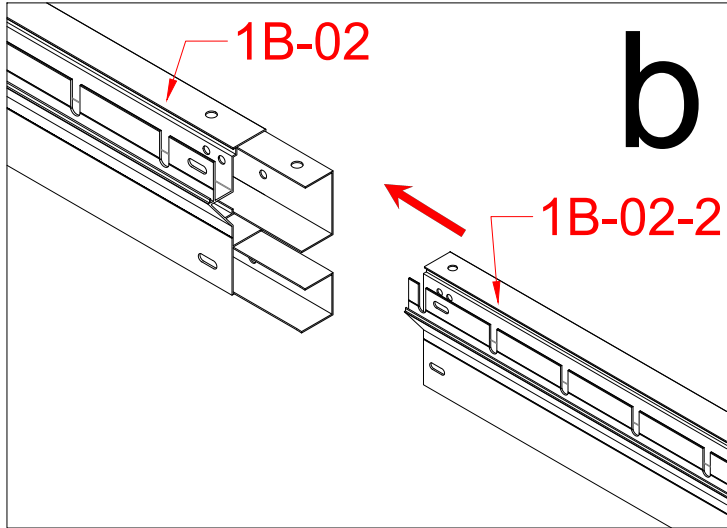
1B-27			2
1B-13B			2
1B-22			12





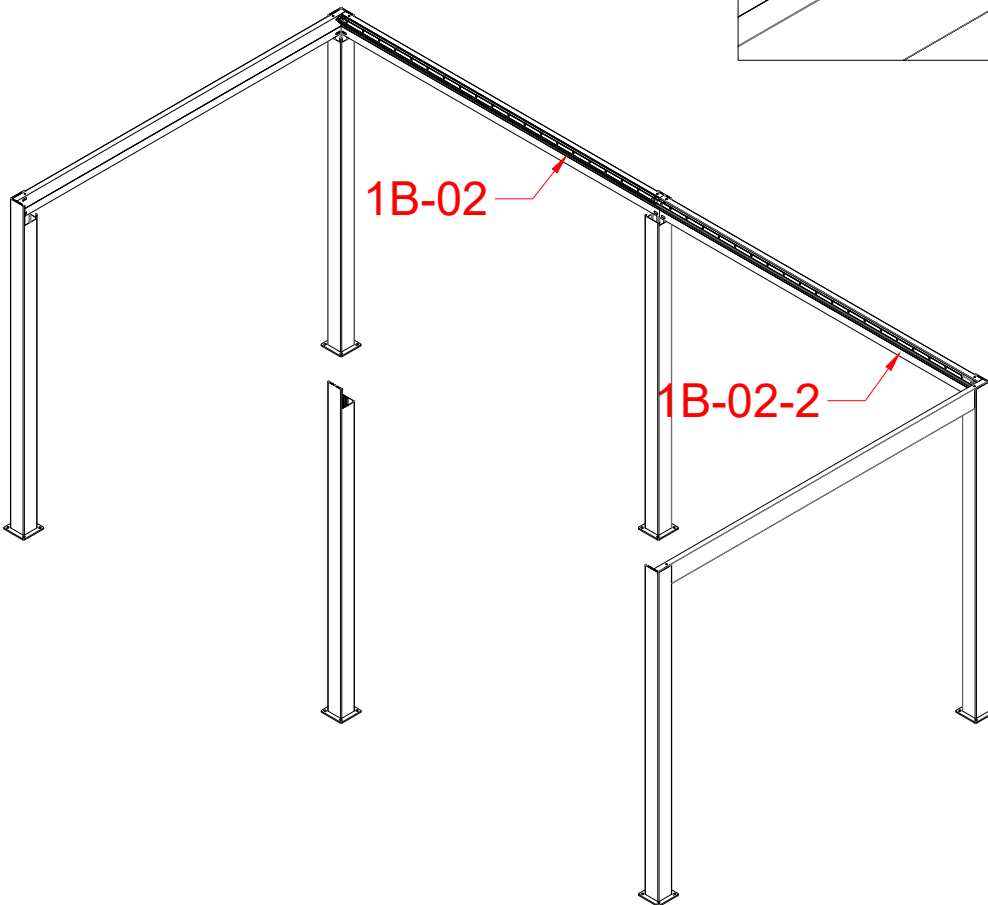
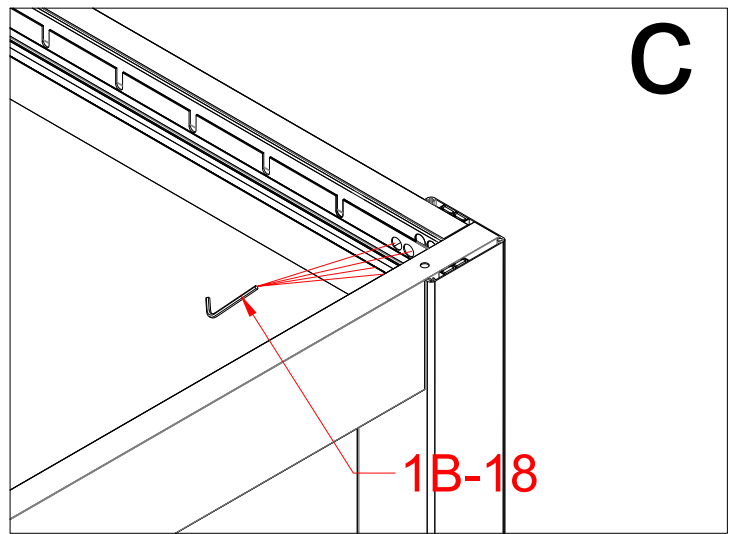
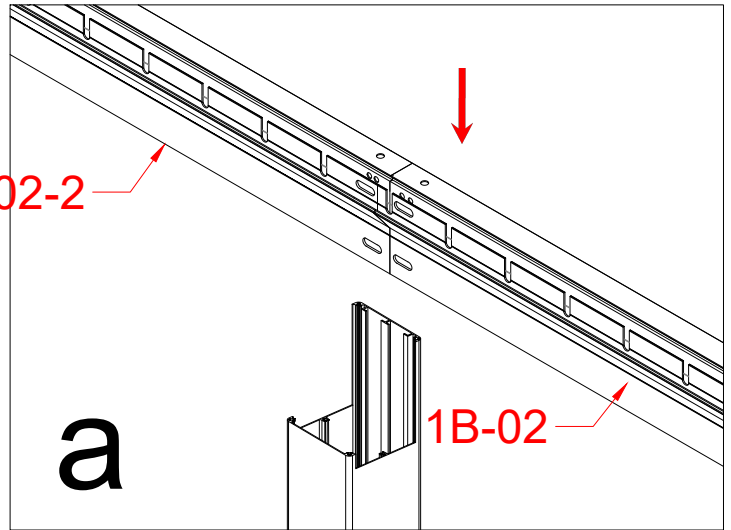
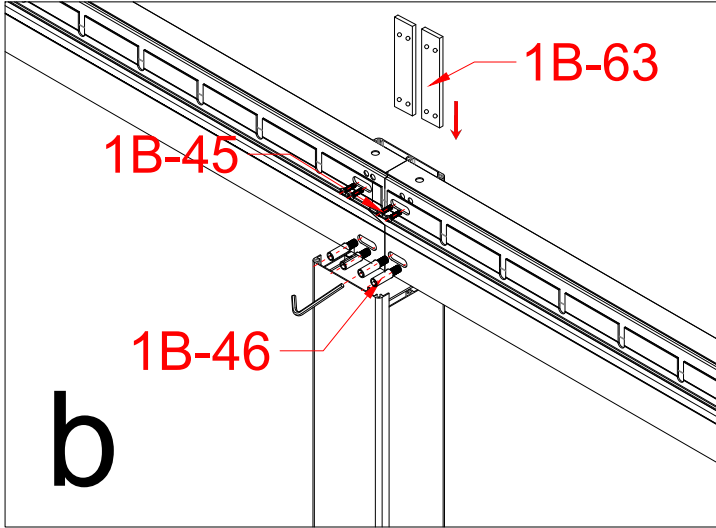
1B-04		2
1B-18		1





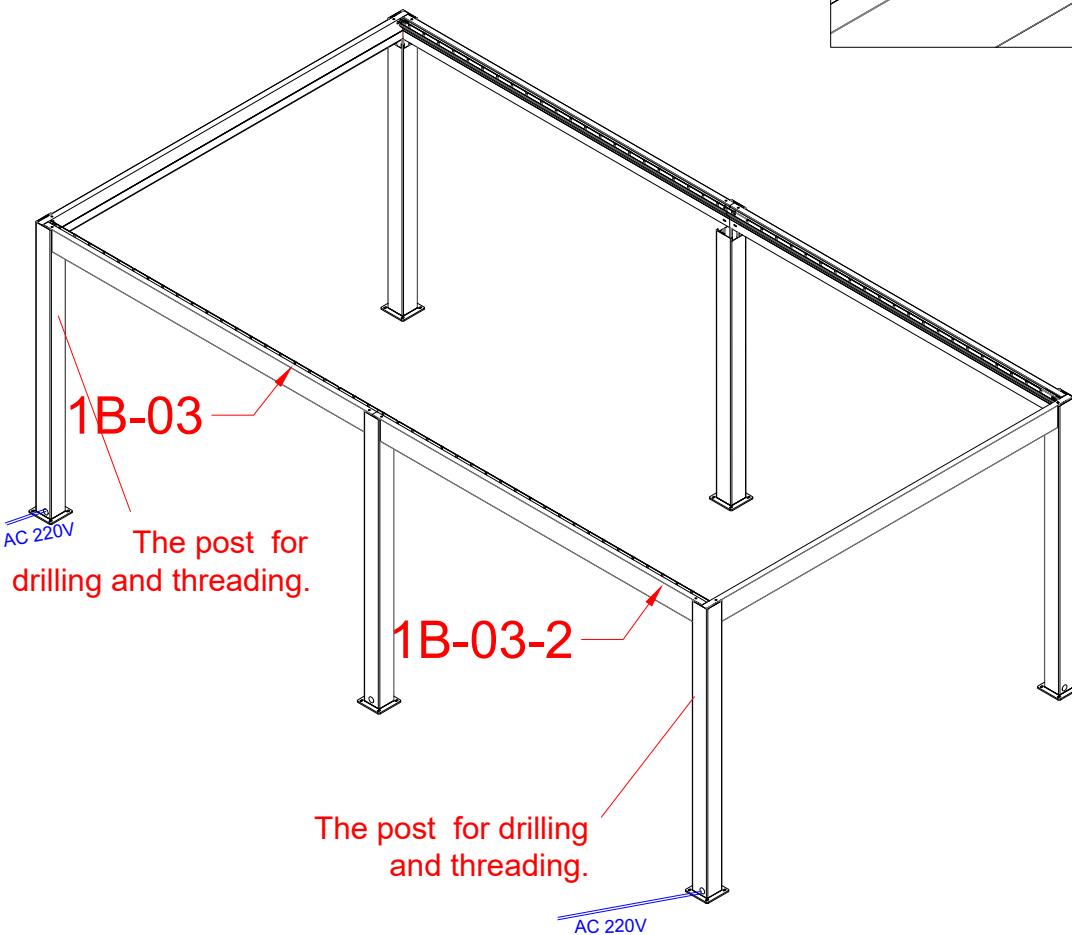
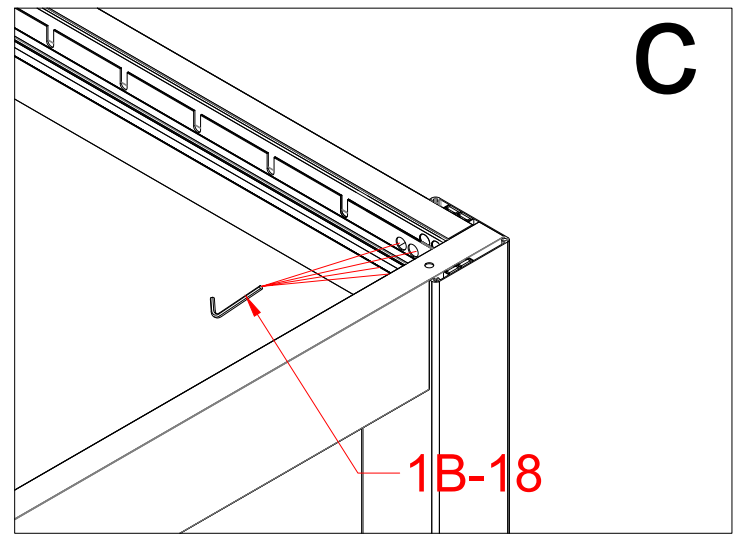
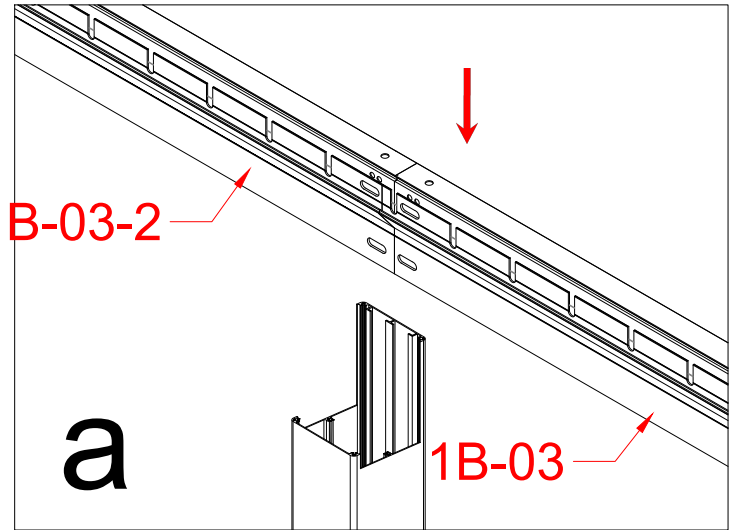
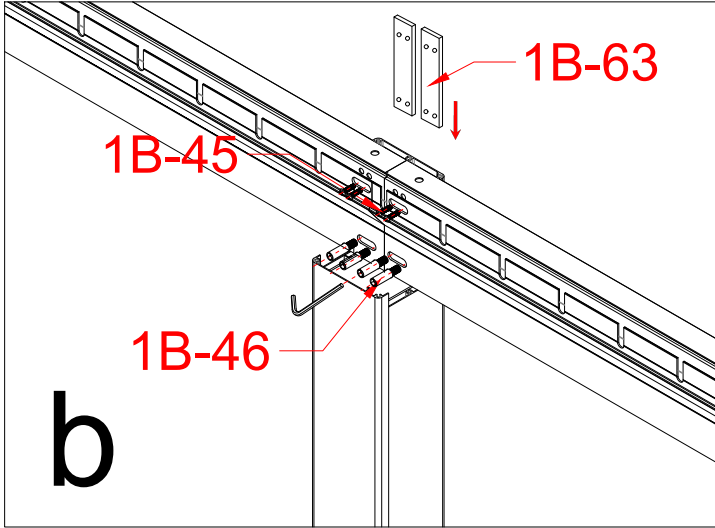
1B-02		1
1B-02-2		1
1B-32		1
1B-33		1





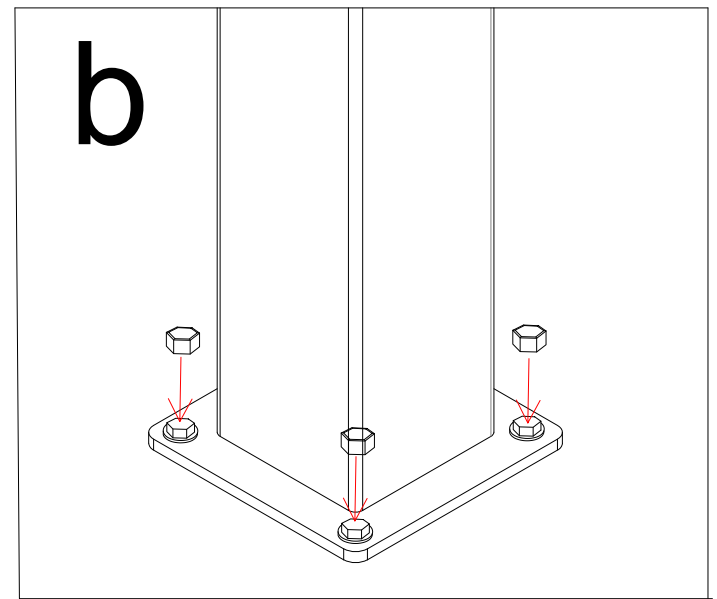
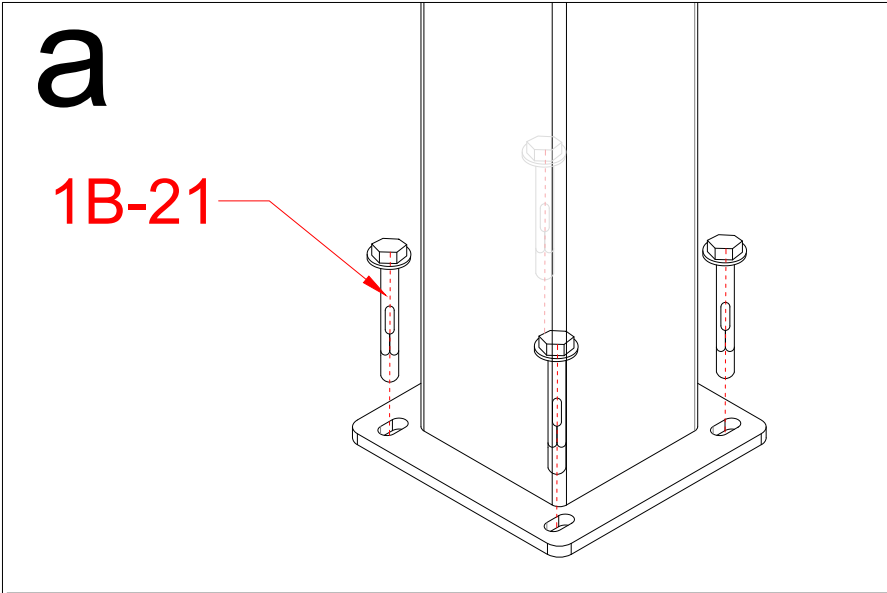
1B-63		2
1B-46		4
1B-18		1
1B-45		4



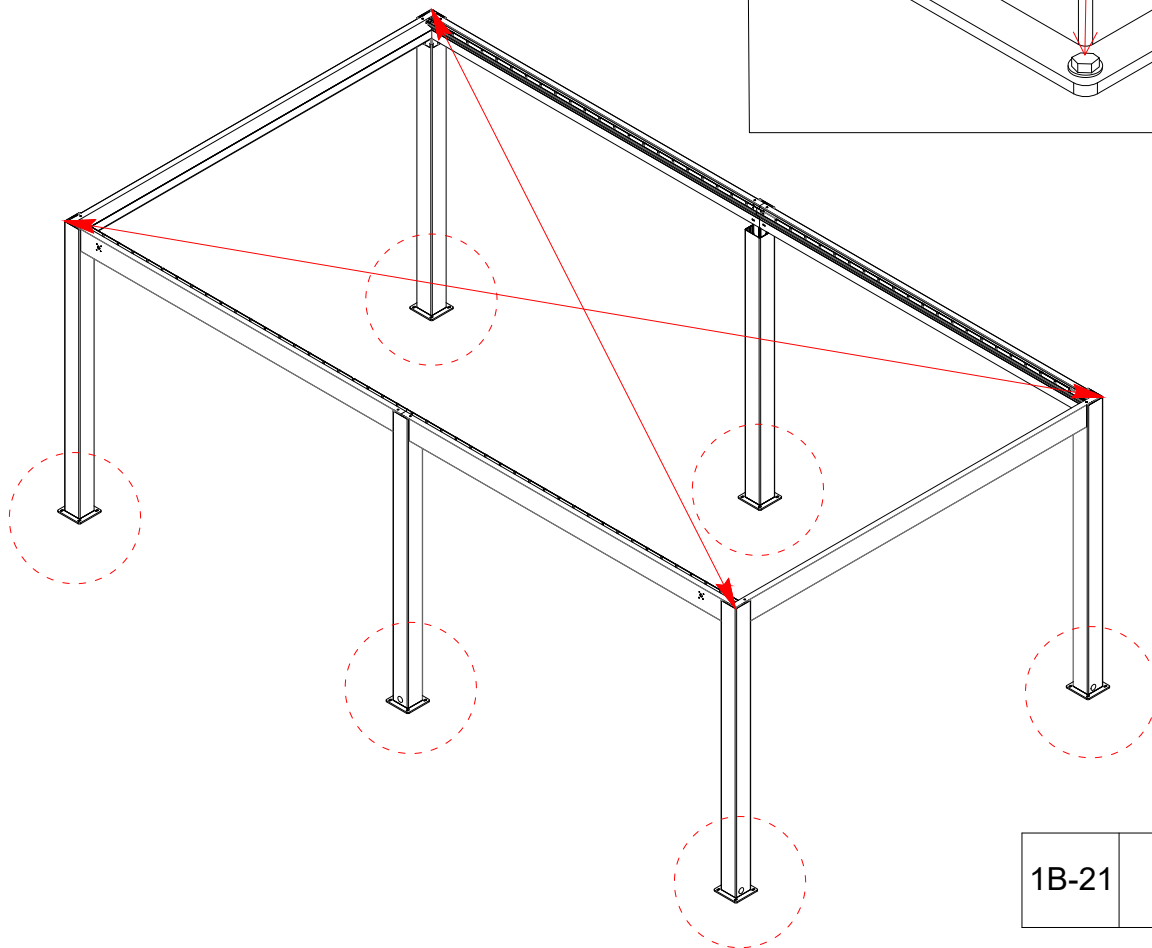


1B-63		2
1B-46		4
1B-45		4
1B-03		1
1B-03-2		1



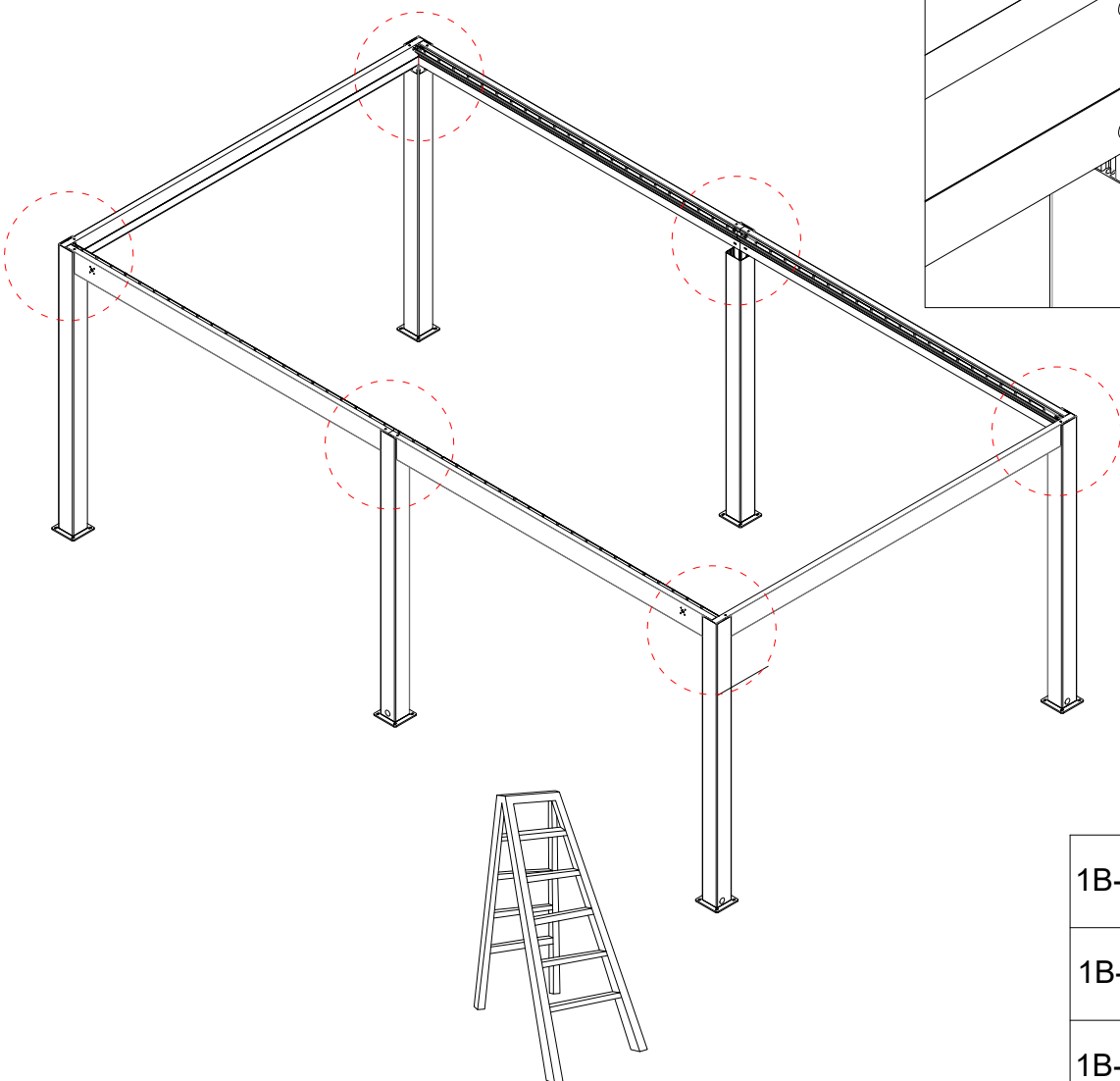
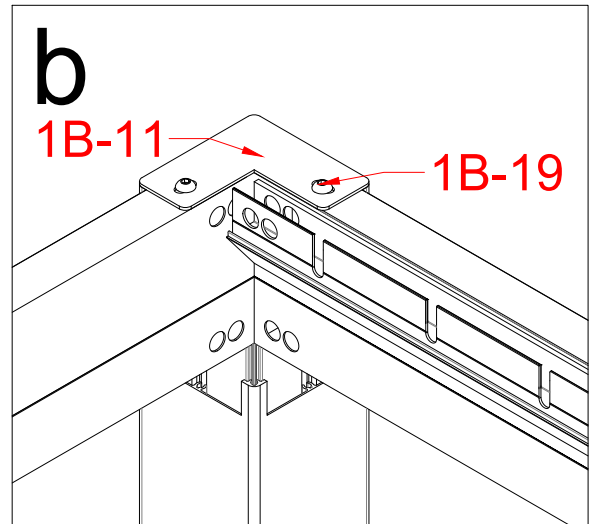
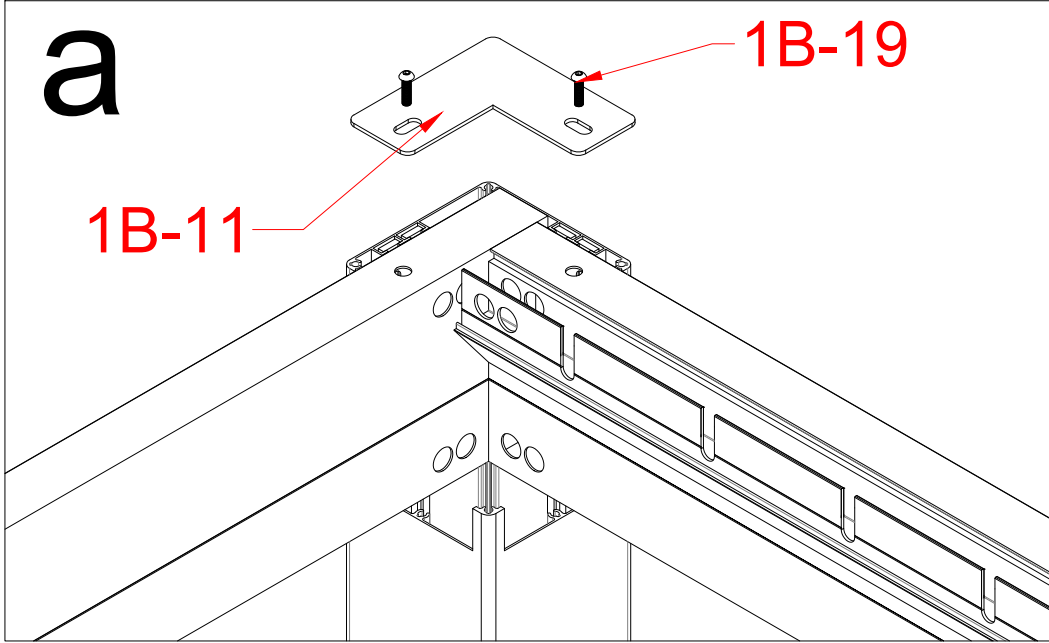


Pls measure the diagonal size and make sure the diagonal size keeps same before screw 1B-21 mounted. If not, pls adjust it to same size.



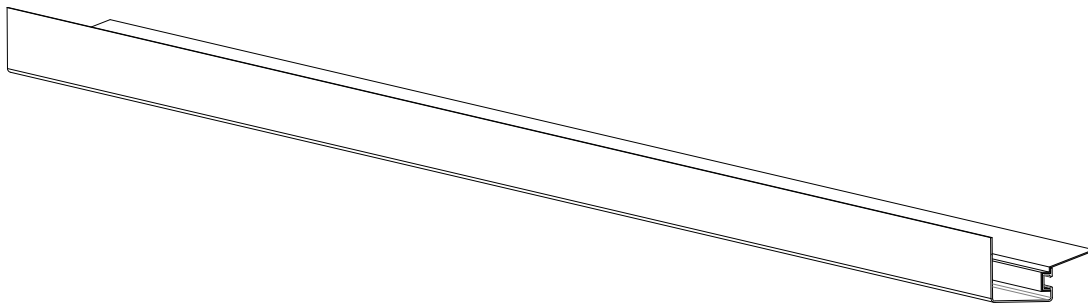
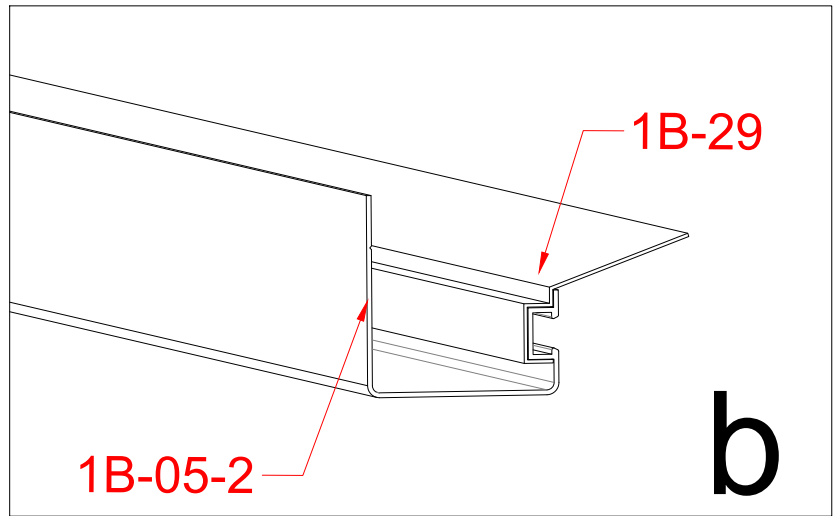
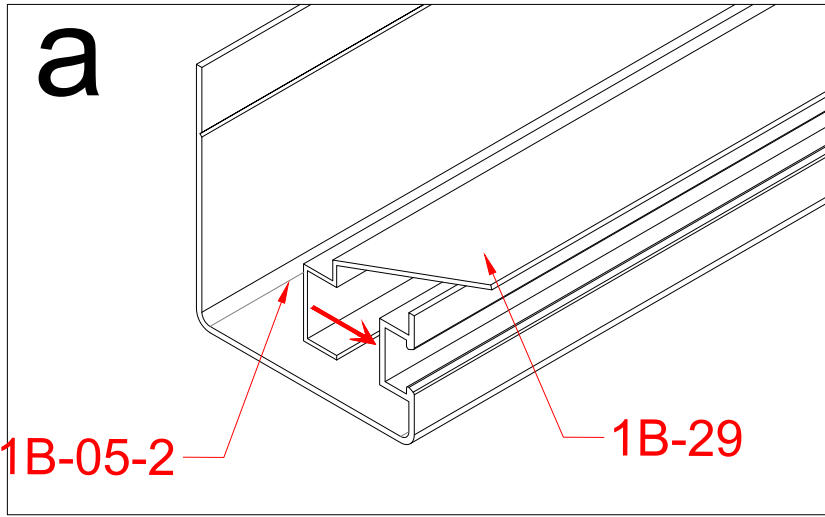
1B-21		24
-------	--	----





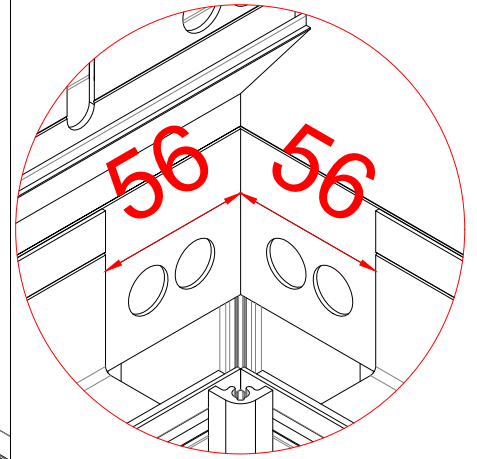
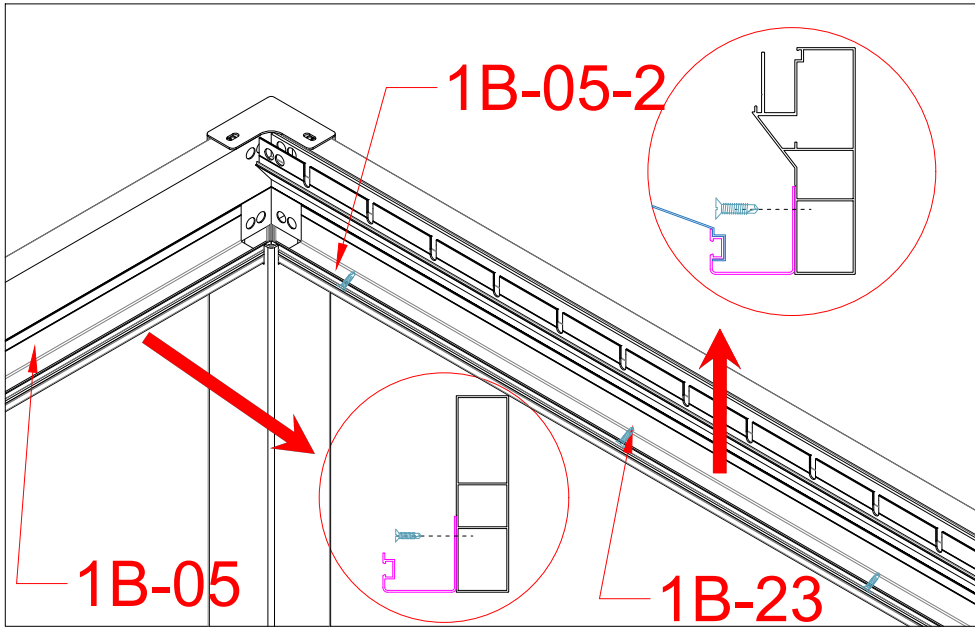
1B-26		2
1B-11		4
1B-19		12



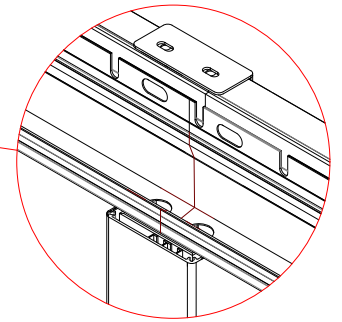
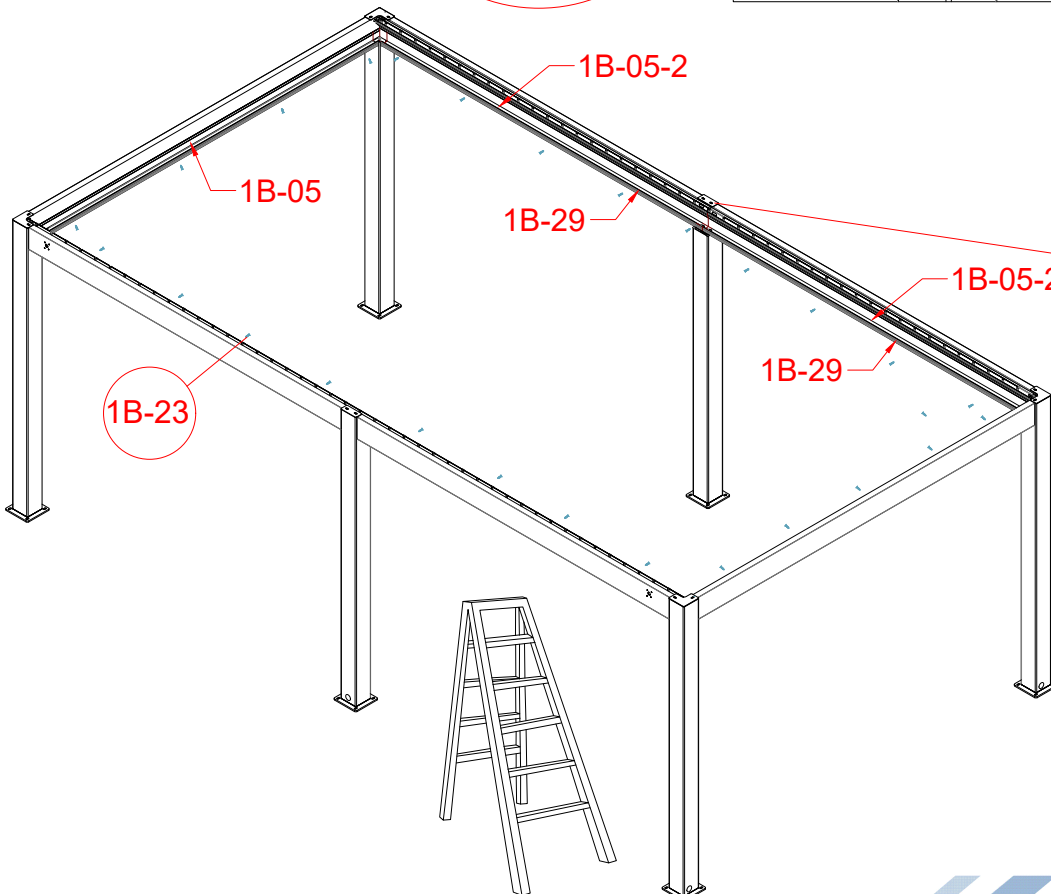
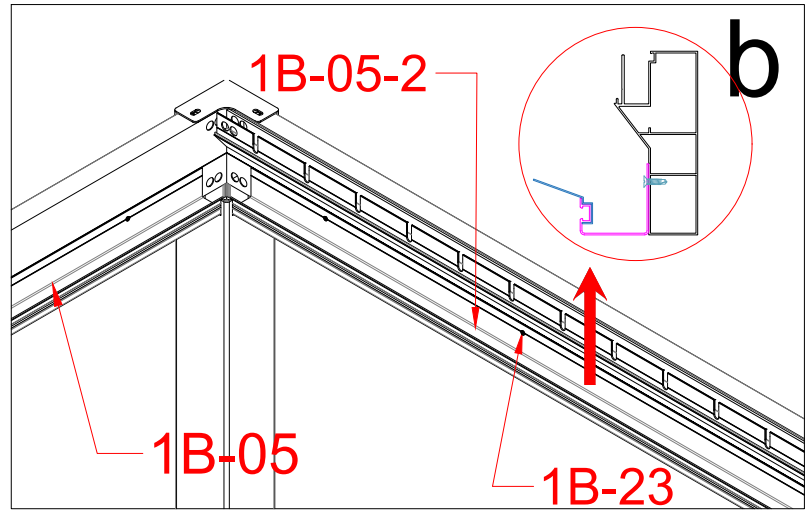
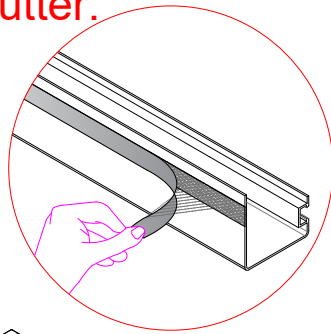


1B-05-2		4
1B-29		4



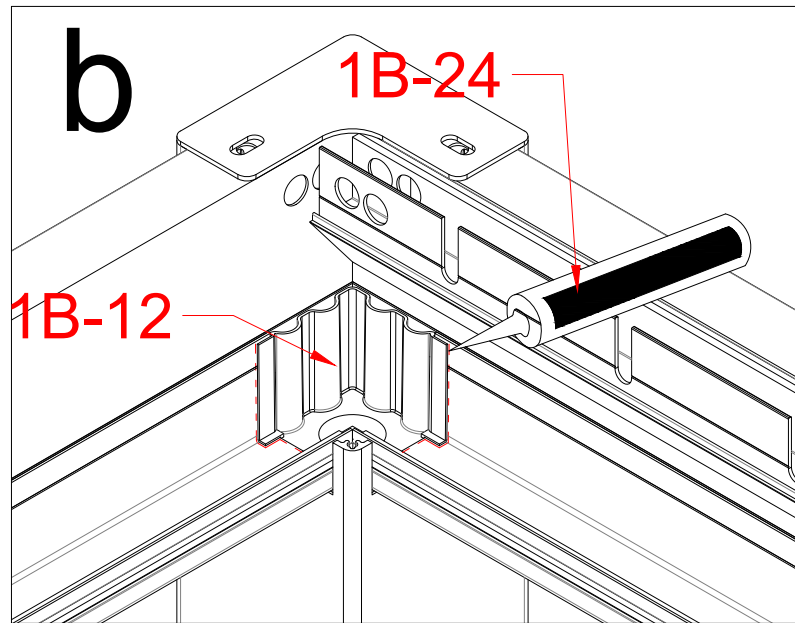
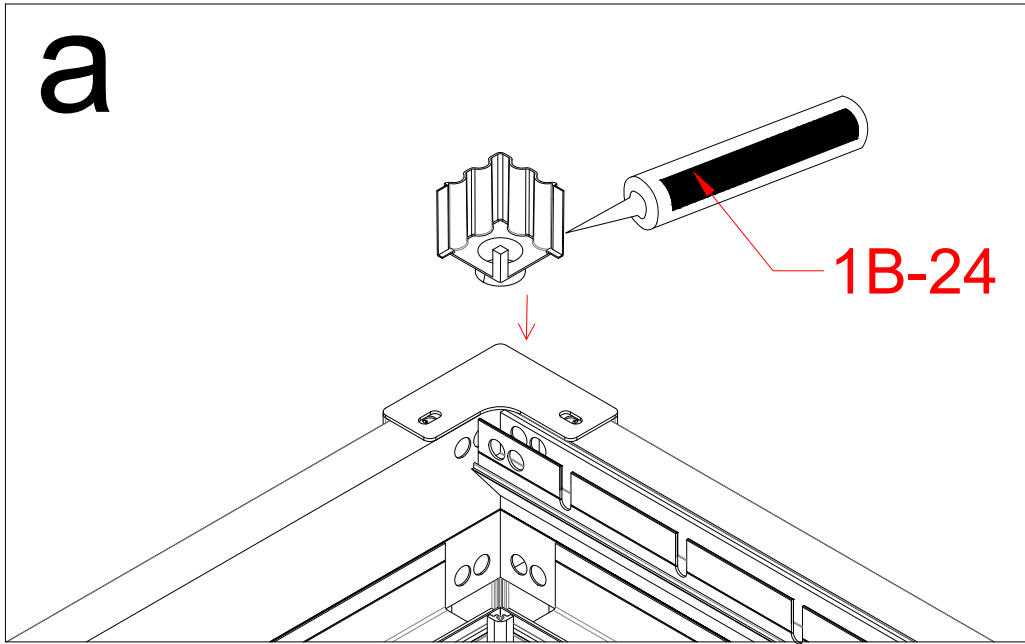




Warning:
Before installation, tear off the protective film of the tape on the back side of Gutter.



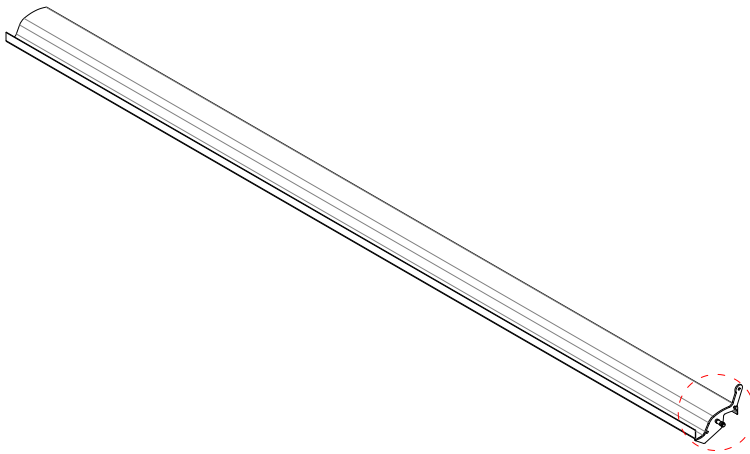
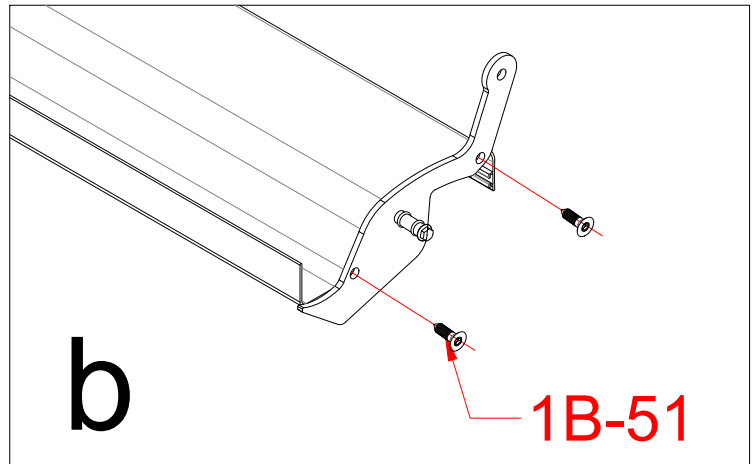
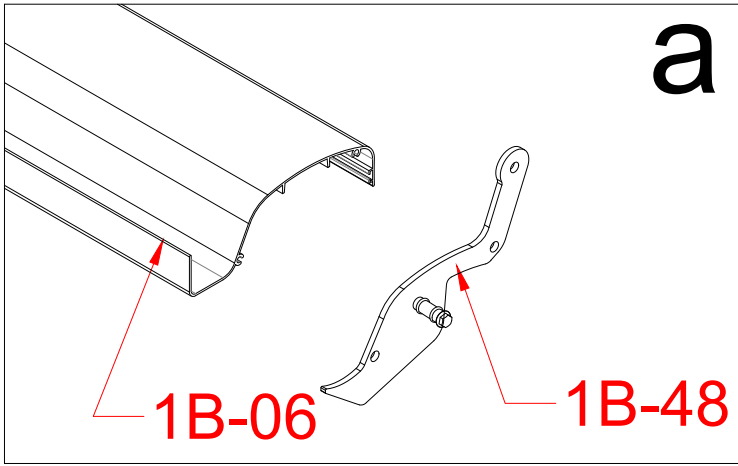
1B-05-2		4
1B-05		2
1B-23		24



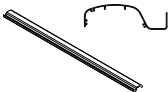





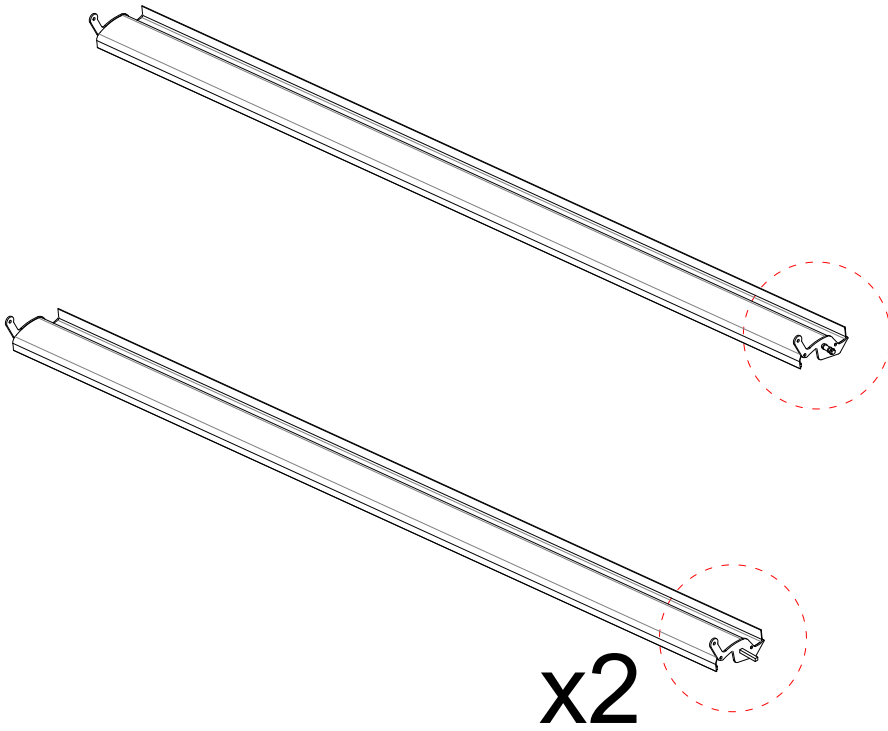
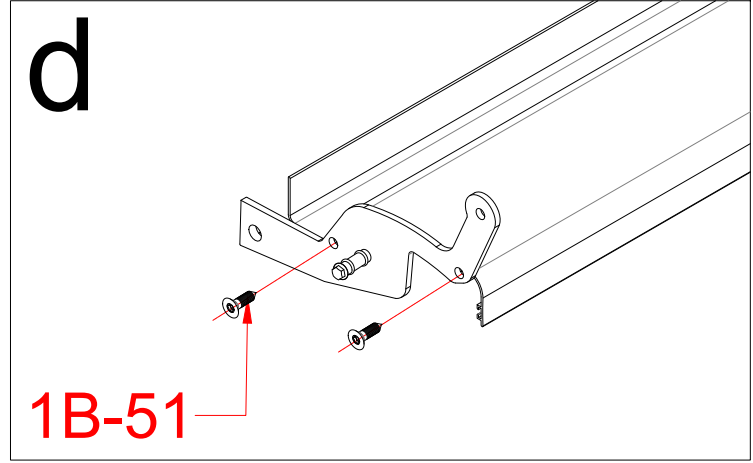
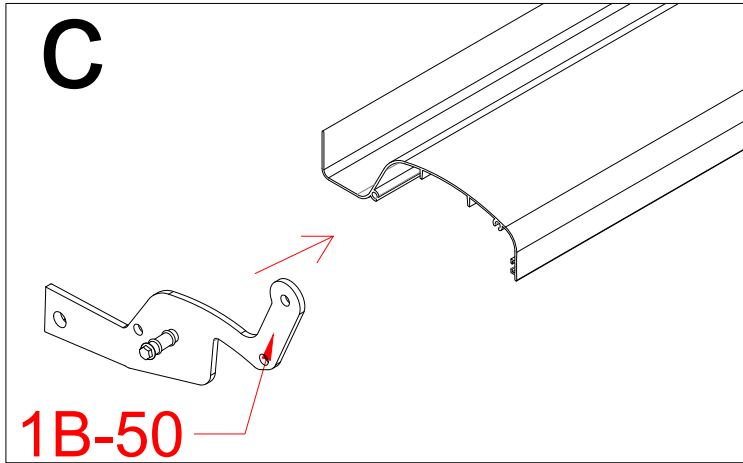
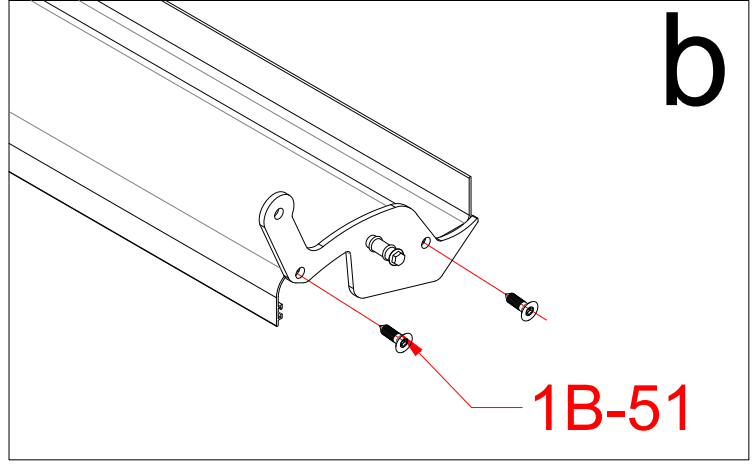
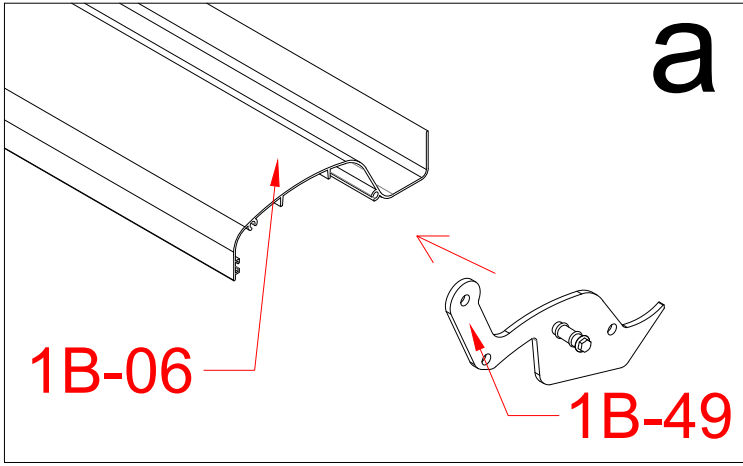
1B-24		1
1B-12		4





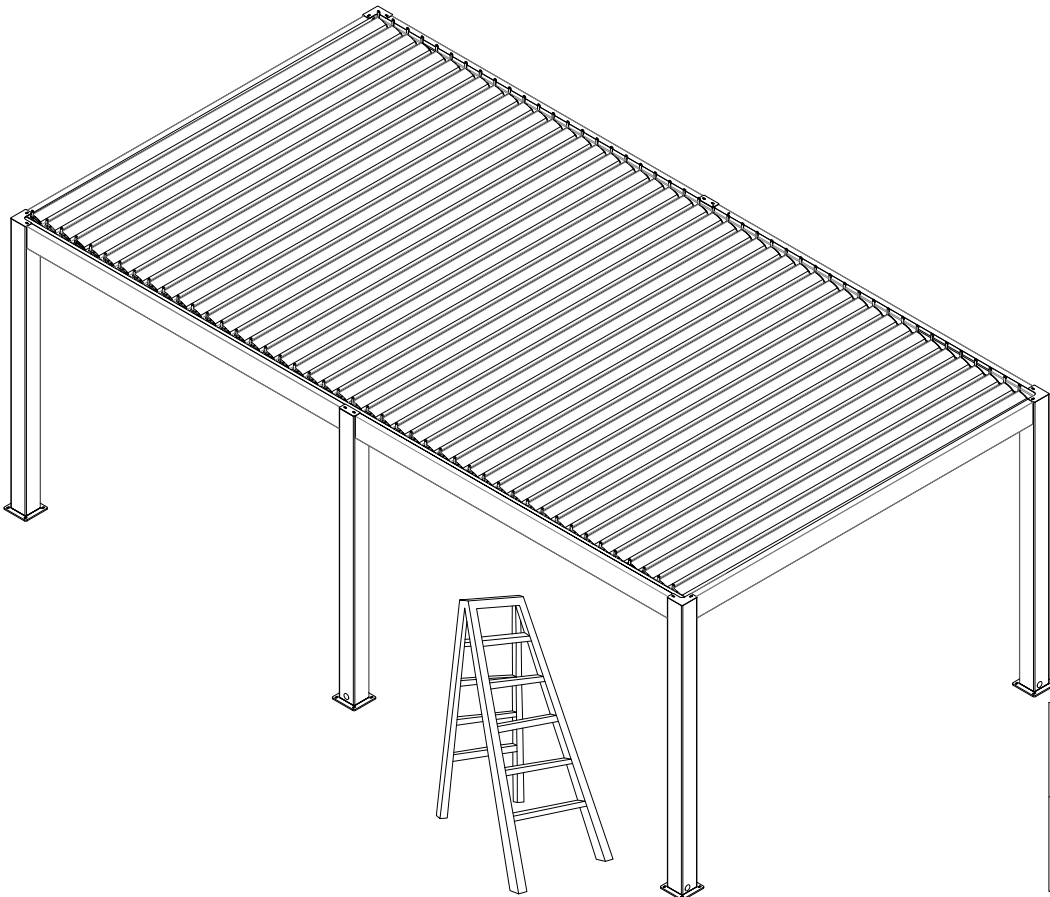
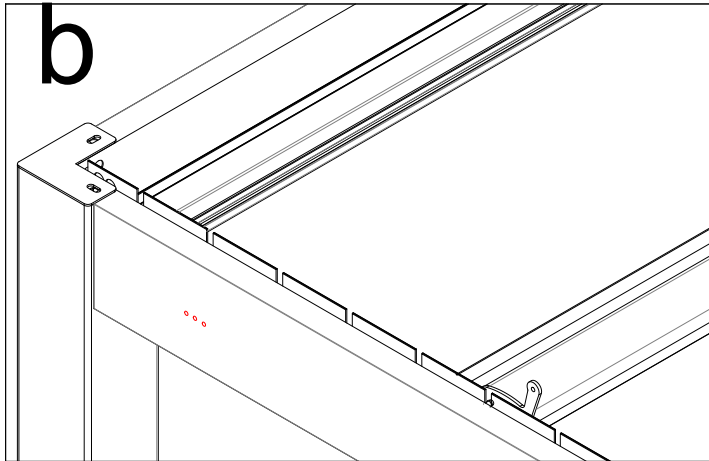
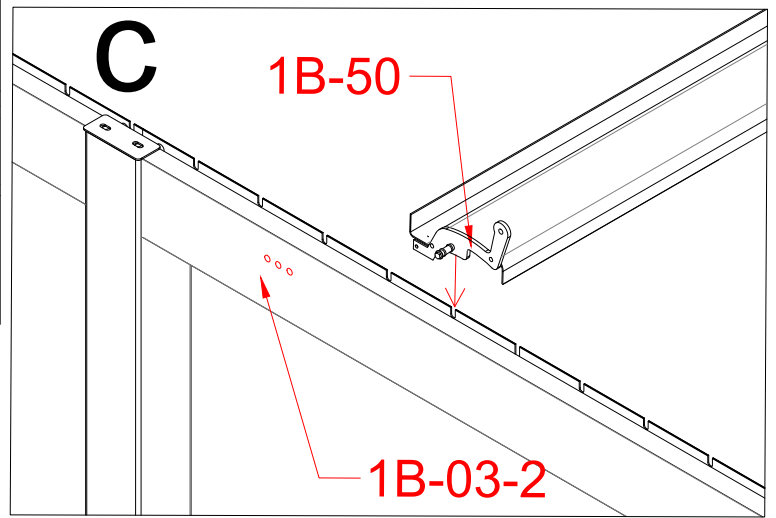
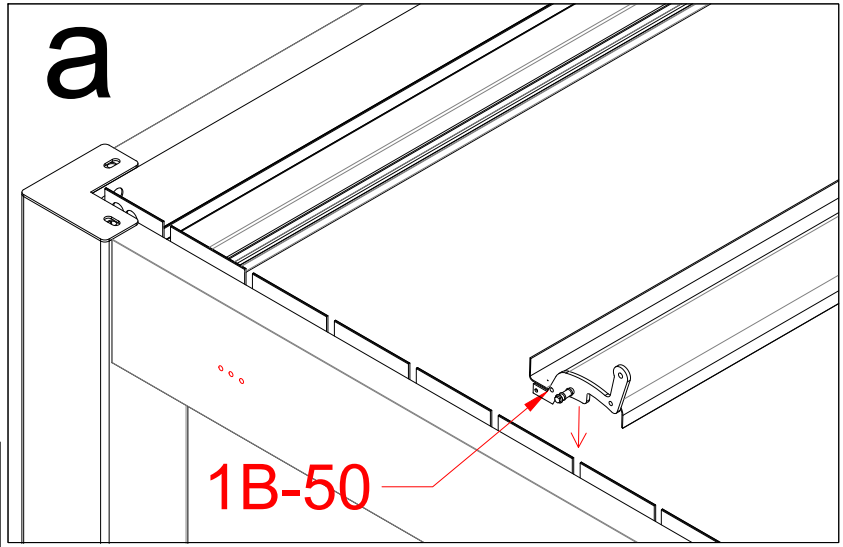
1B-58		1
1B-51	 M3.5*25	92
1B-06		48
1B-48		46


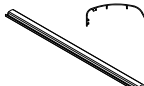




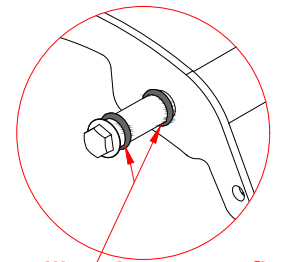
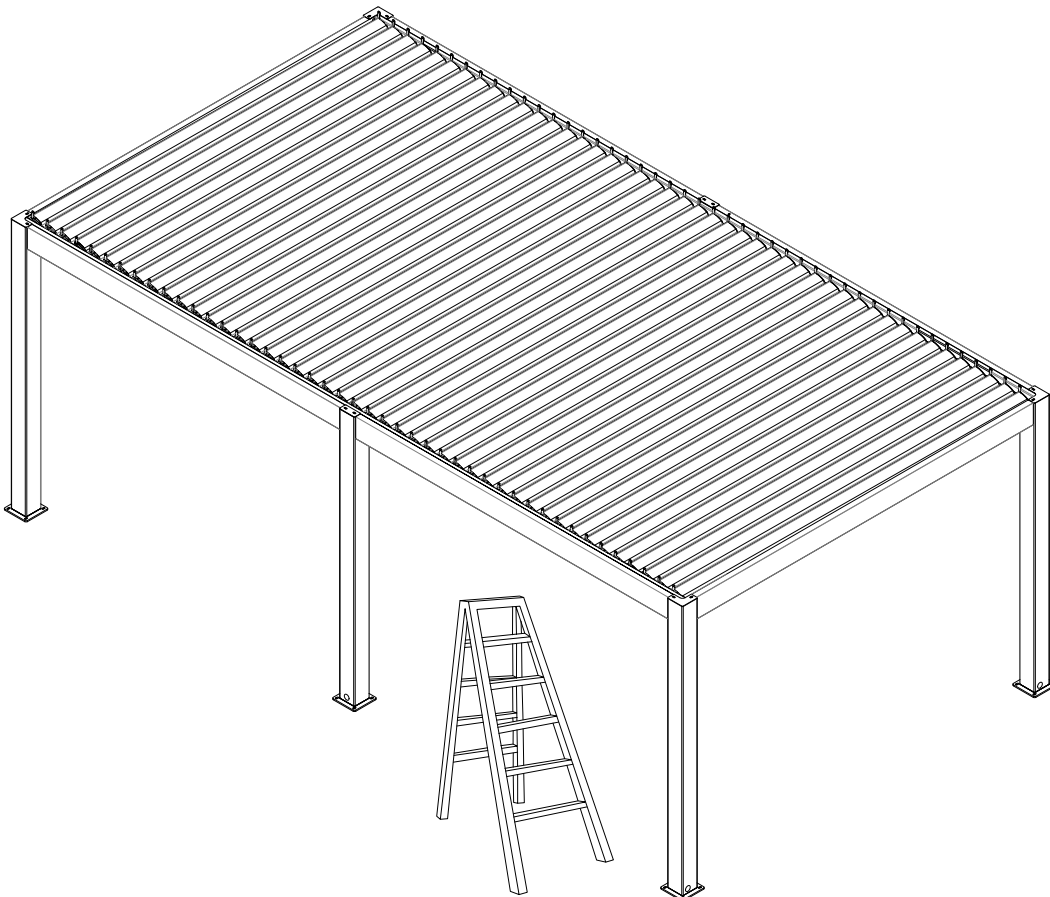
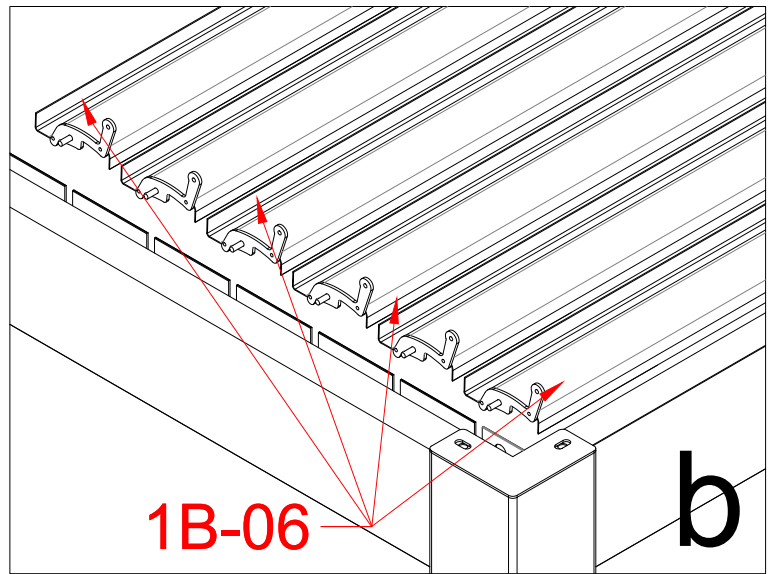
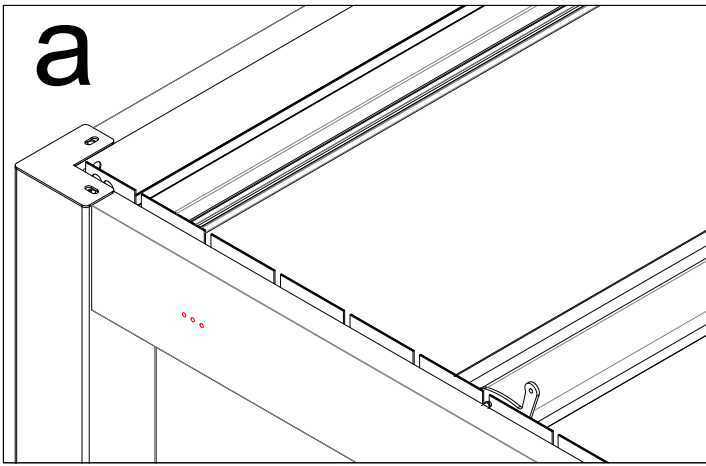
1B-58		1
1B-49		48
1B-50		2
1B-51	 M3.5*25	100





1B-50		2
1B-06		2

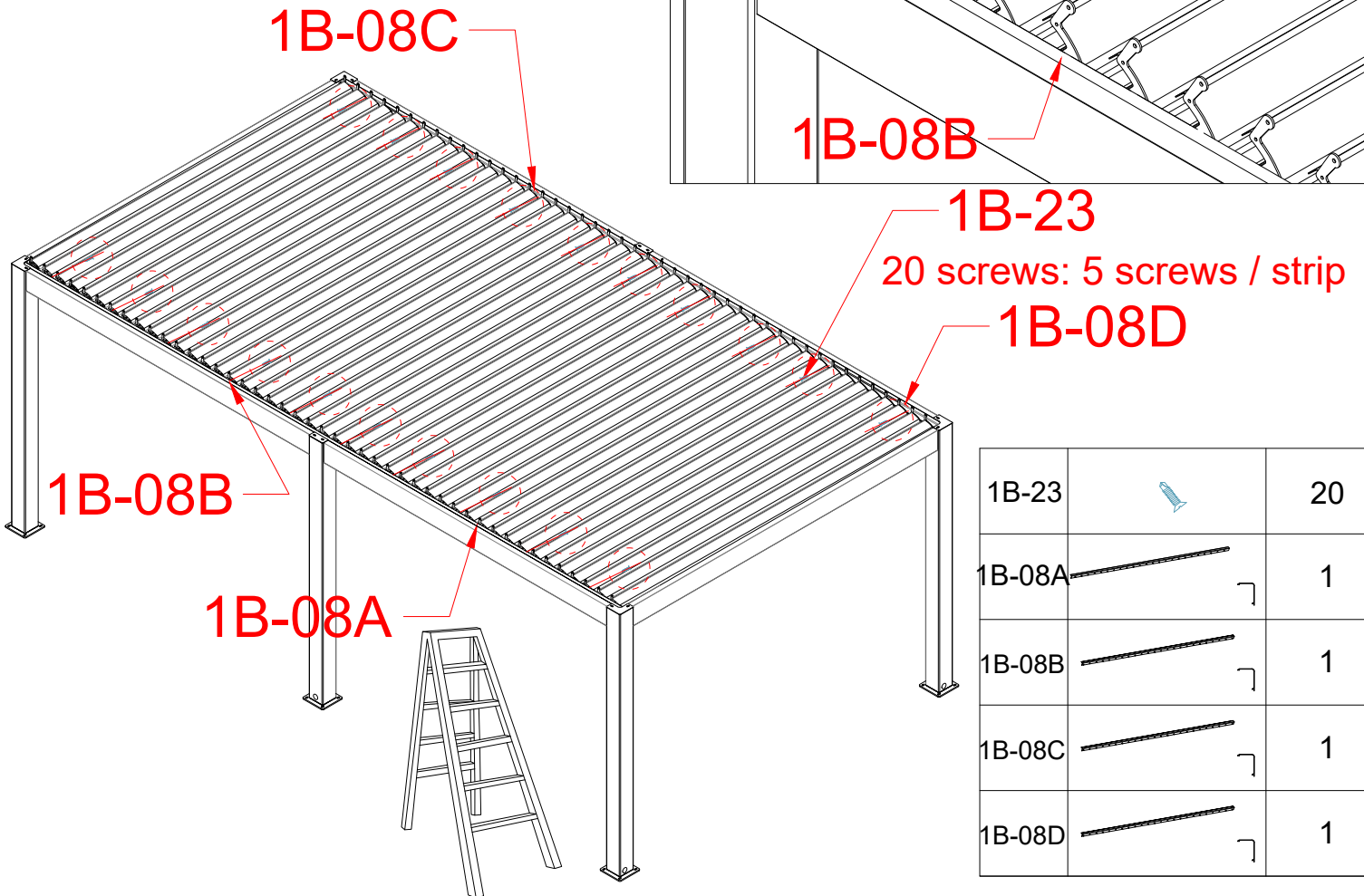
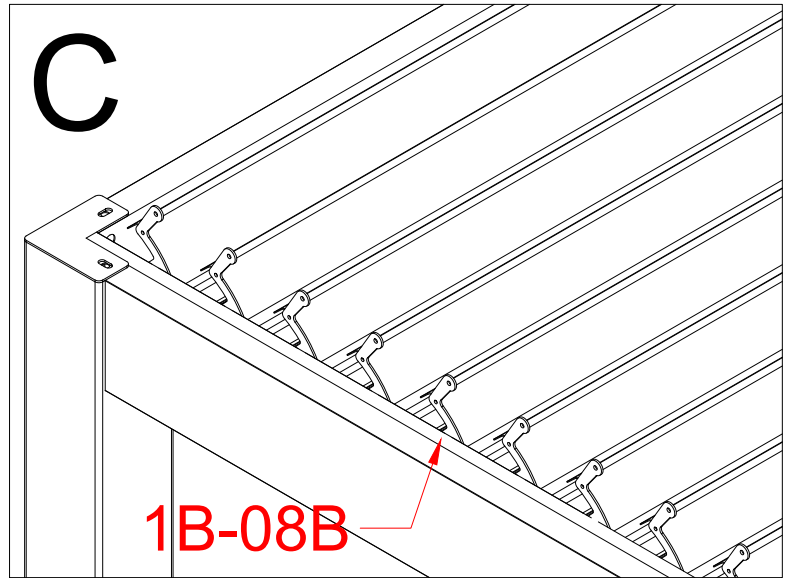
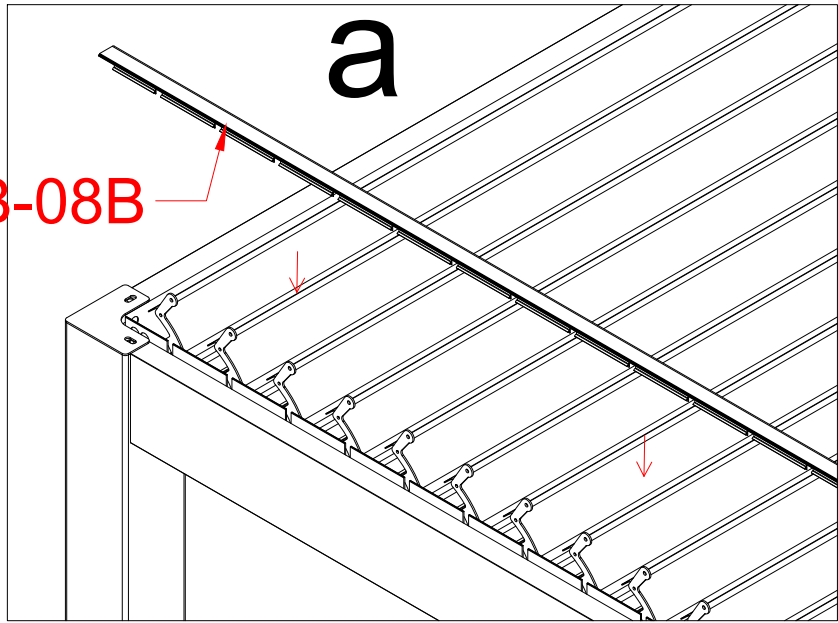
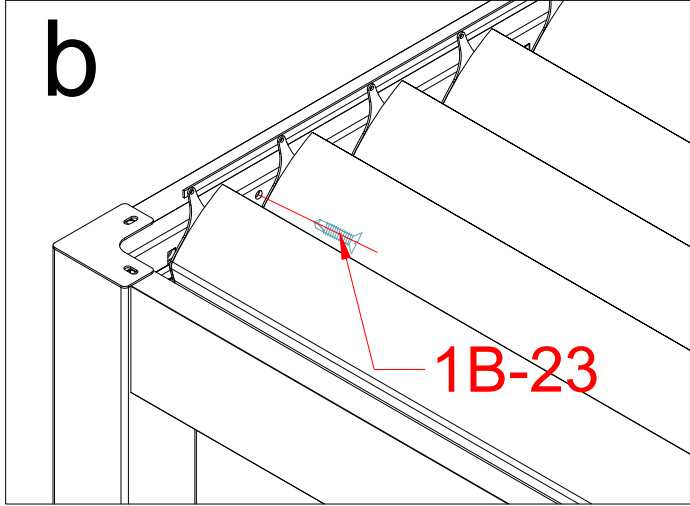




When installing louvers, first separate the two rubber gaskets and slide them to both ends of the circular shaft. Then, please ensure they are closed tightly before proceeding with the next steps of the installation.

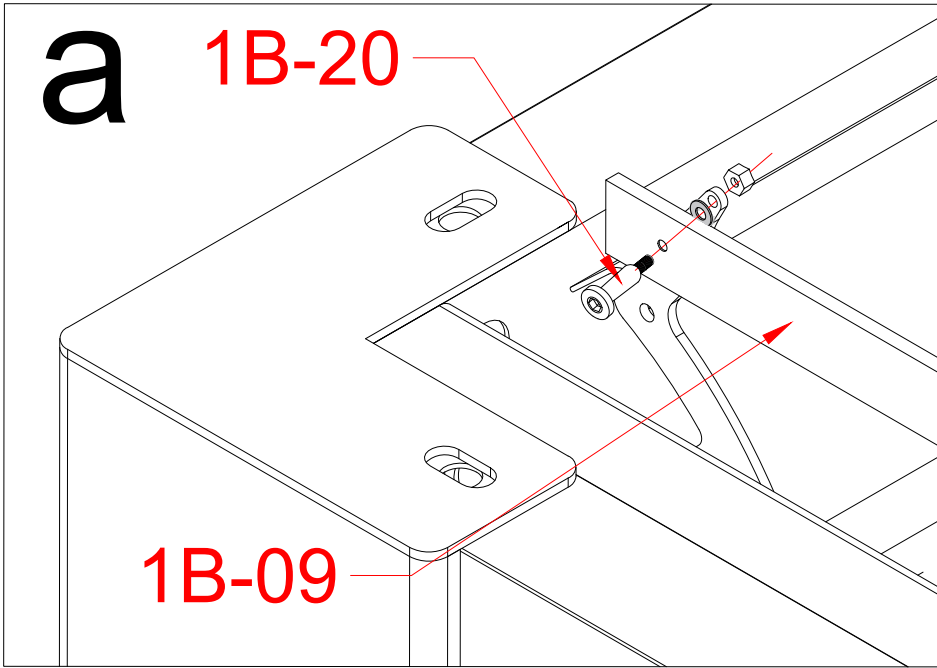
1B-06		46
-------	--	----



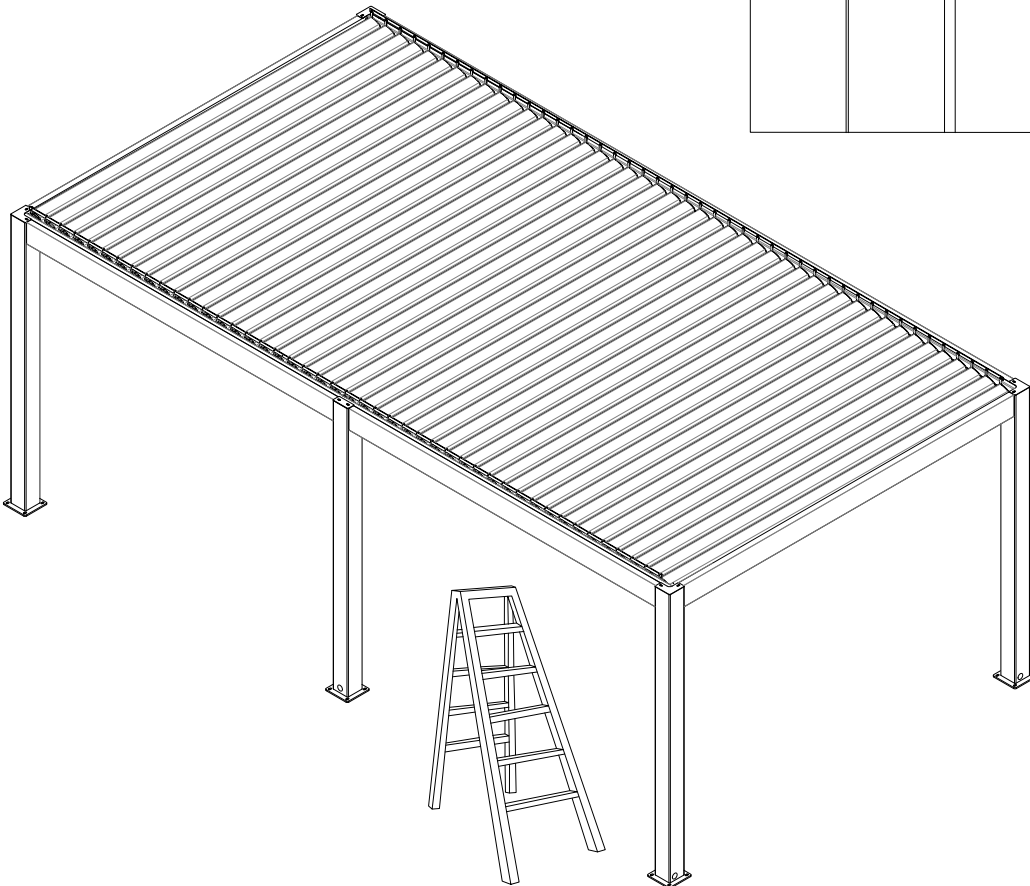
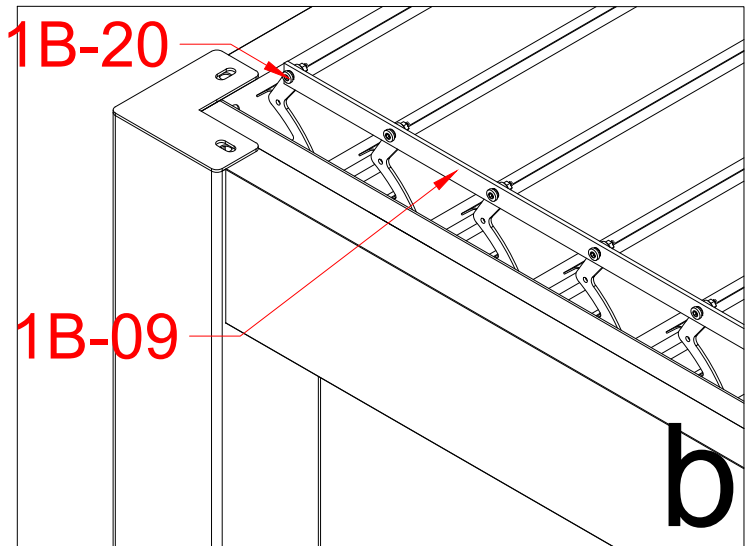


1B-23		20
1B-08A		1
1B-08B		1
1B-08C		1
1B-08D		1



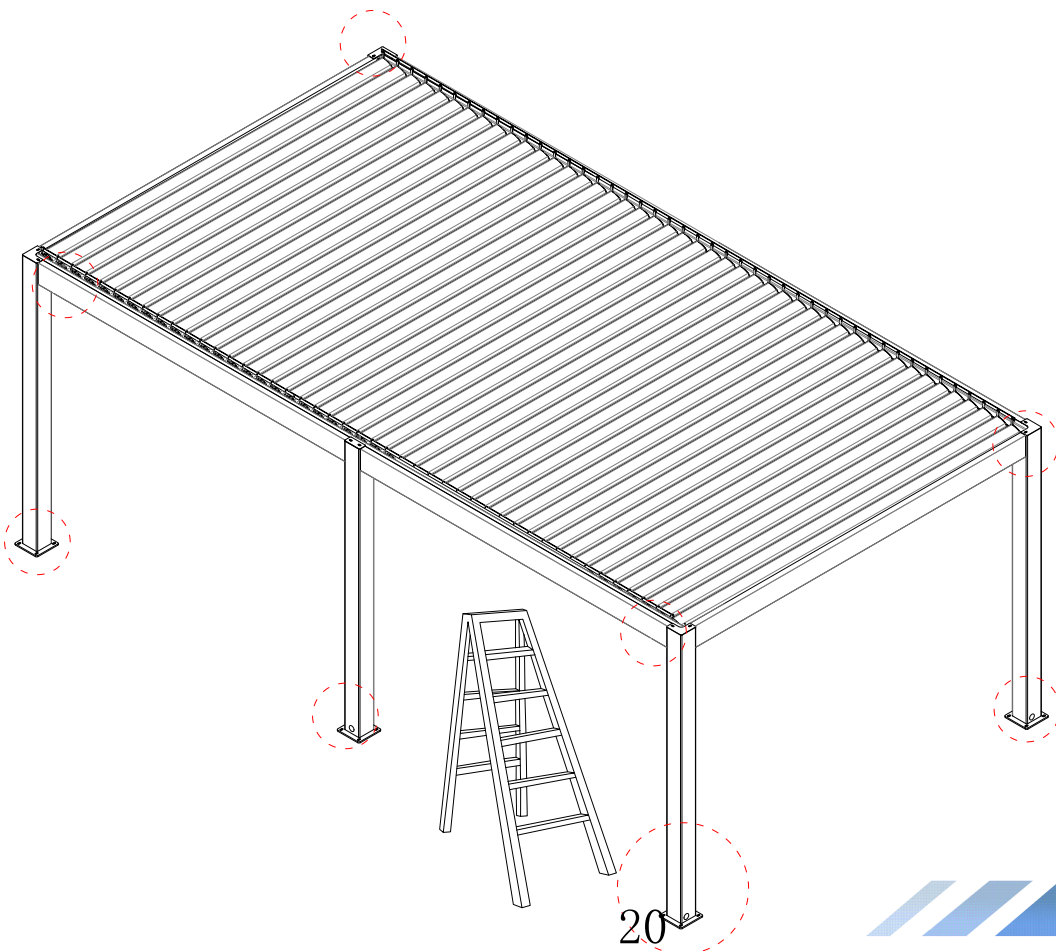
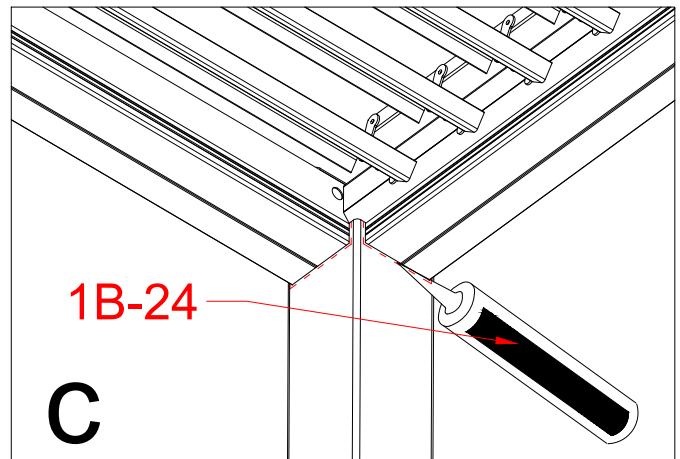
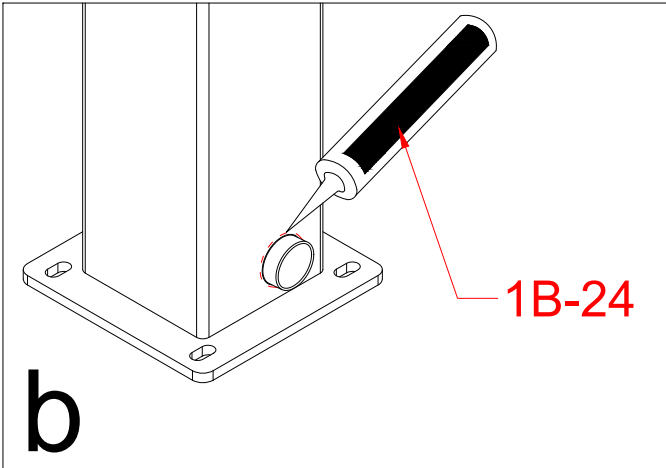
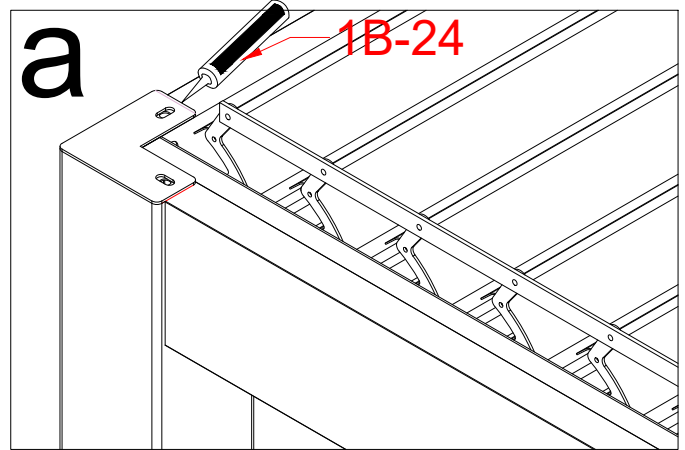


warning:
Bolts must be tightened



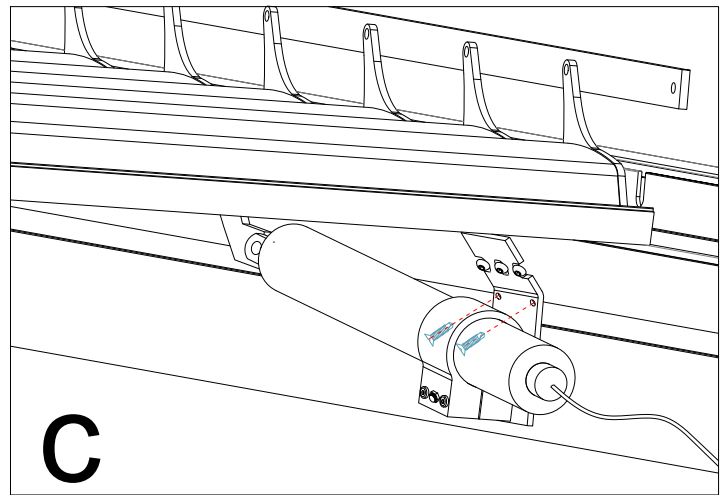
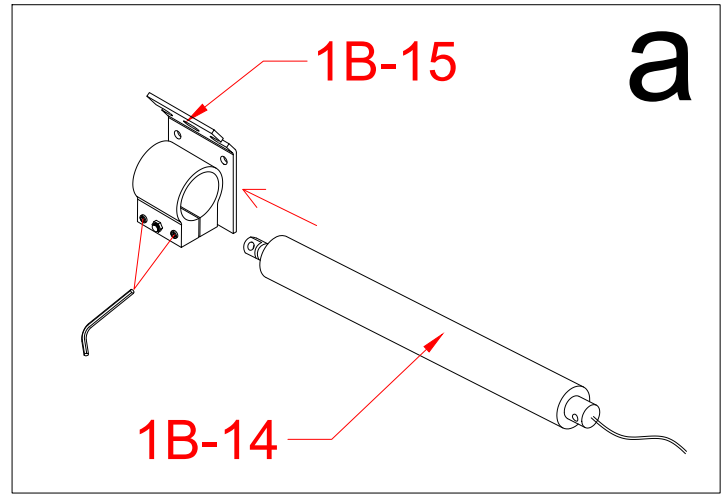
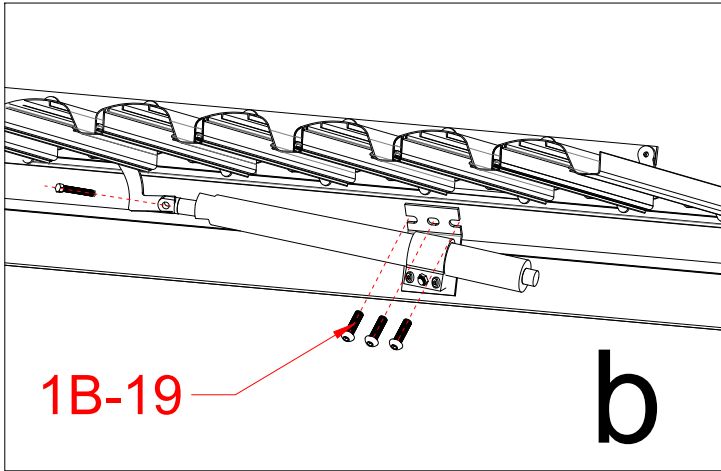
1B-09		4
1B-20		96



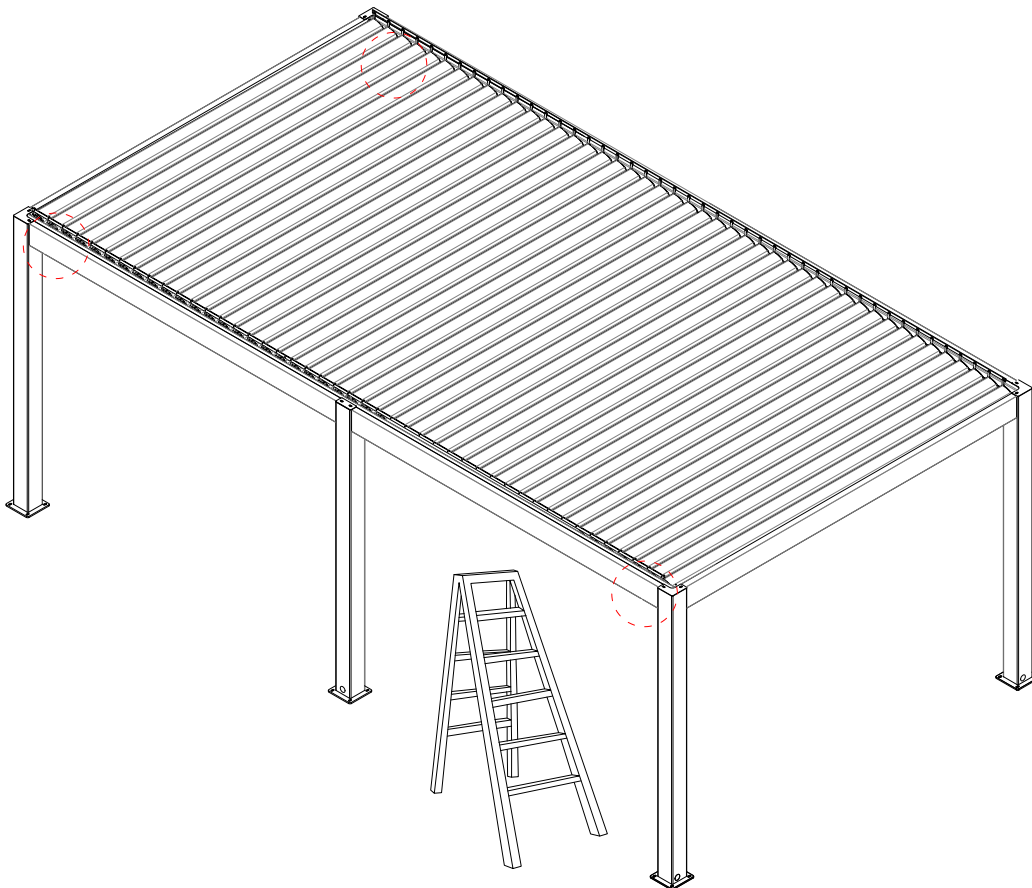



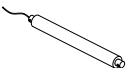

1B-24		1
-------	---	---





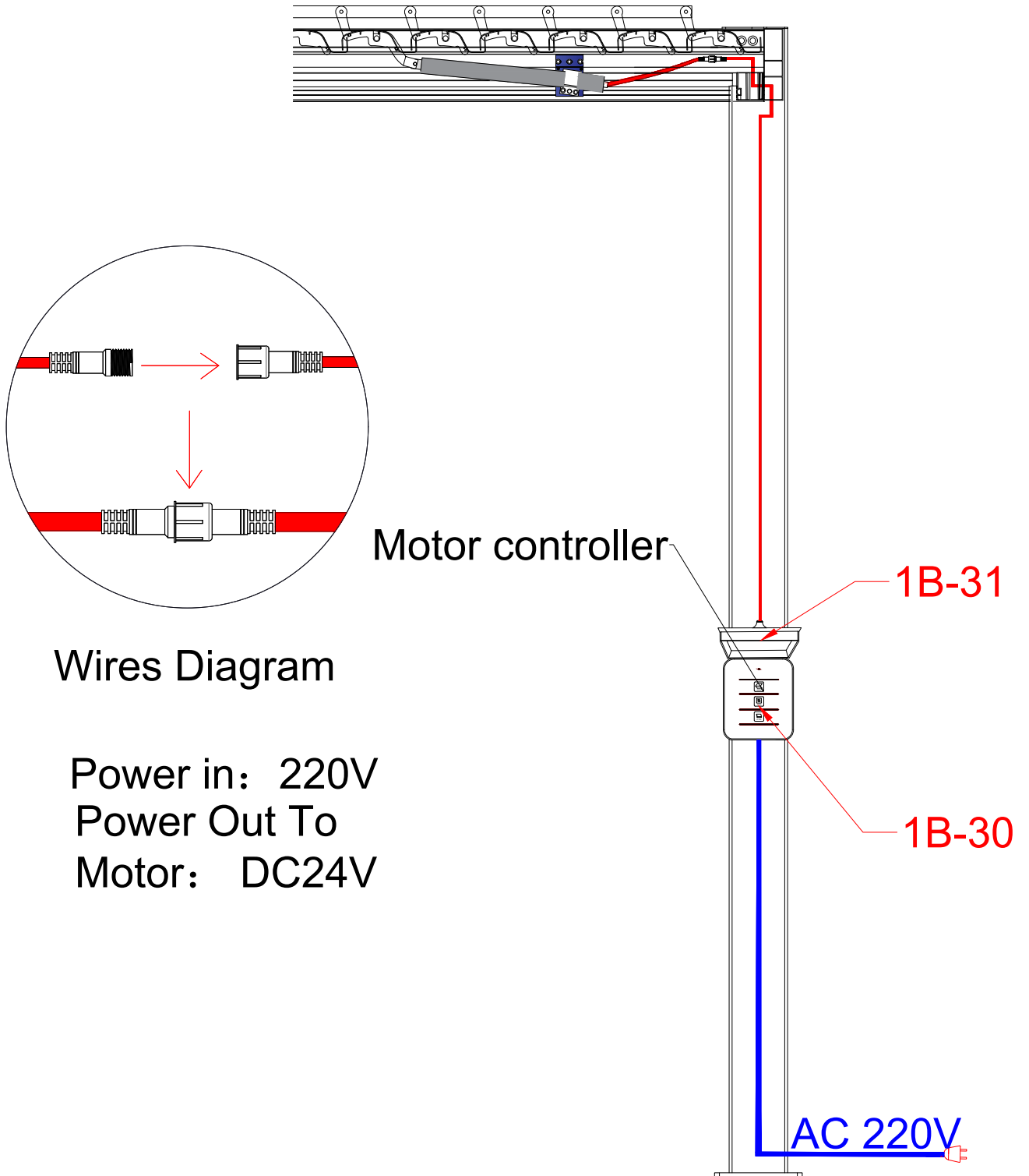
Warning
 In Snow / Wind season or in
 case of snow / wind forecast
 open up your shutters in vertical
 position to avoid any damaging
 on your pergola.



1B-19		3
1B-14		2
1B-15		2






The control box is on the post



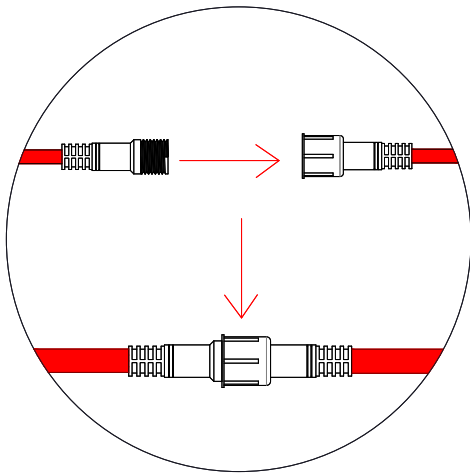
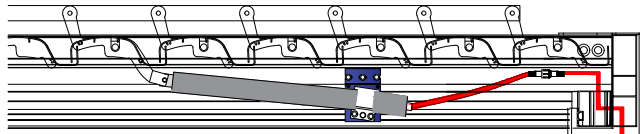
Wires Diagram

Power in: 220V
 Power Out To
 Motor: DC24V

1B-30	 	2
1B-31		2



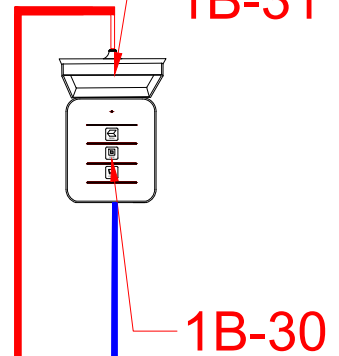
The control box is not on the post



Wires Diagram

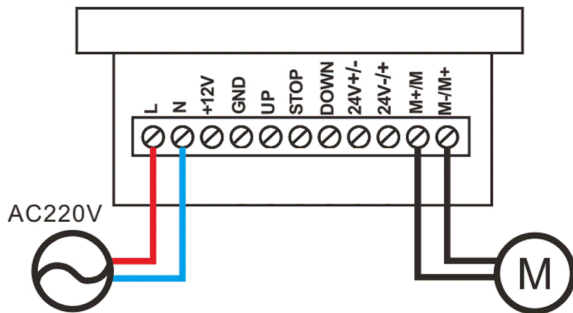
Power in: 220V
Power Out To Motor: DC24V

MOTOR 1B-31



AC 220V

E022
E012



1B-30		2
1B-31		2

