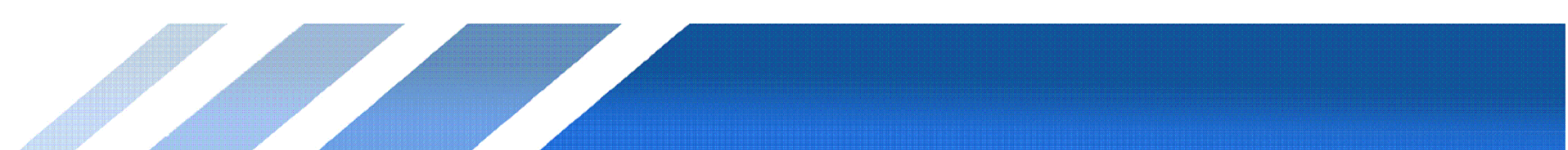
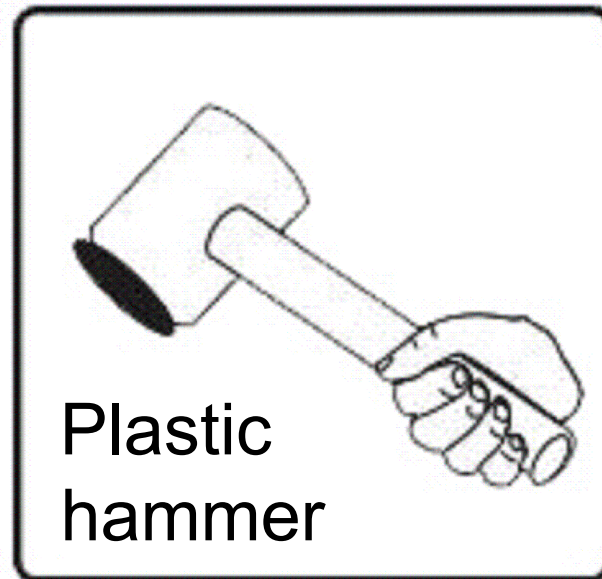
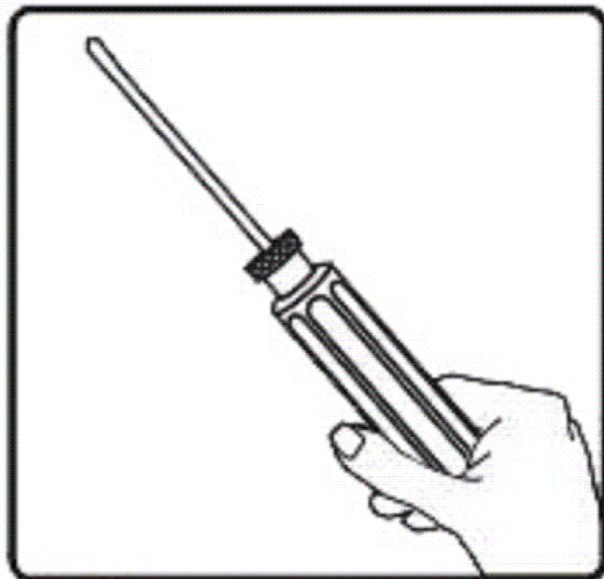
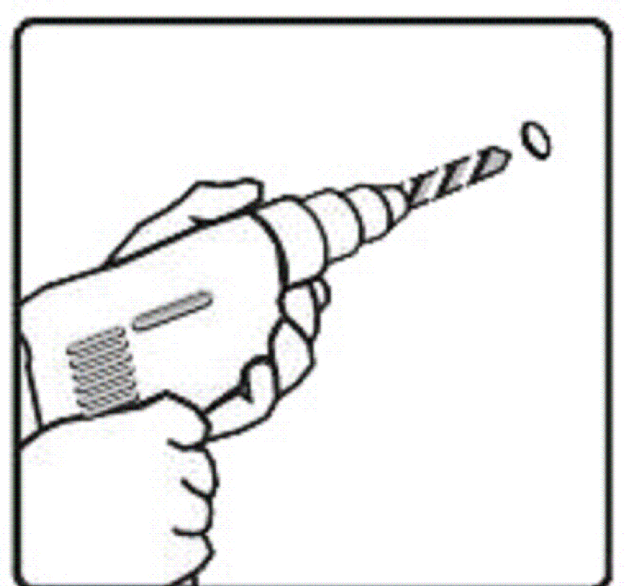
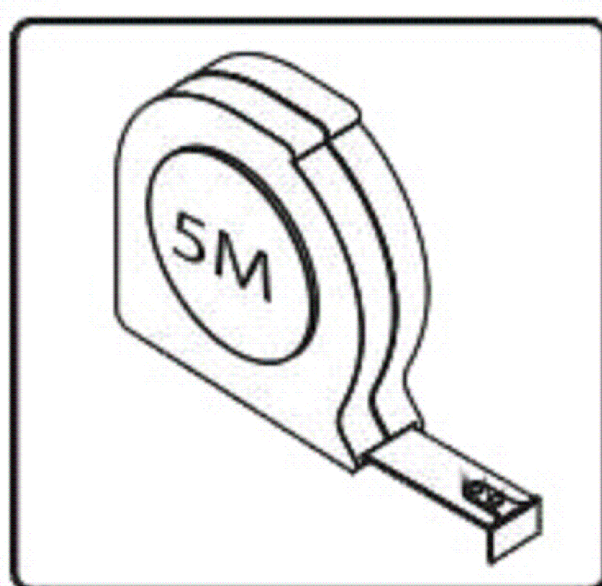
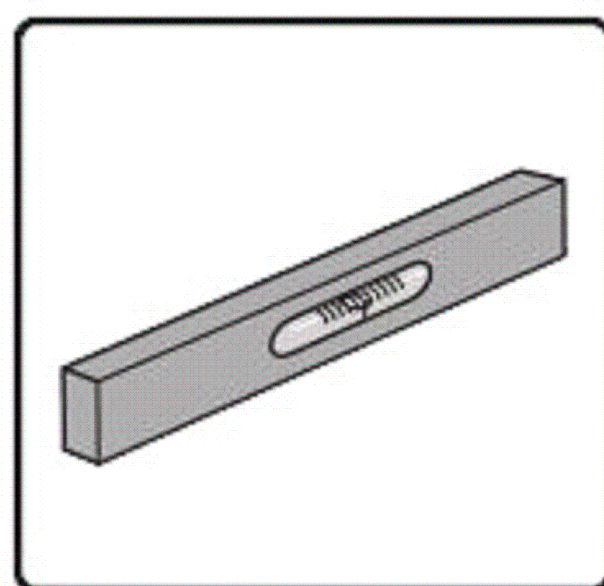
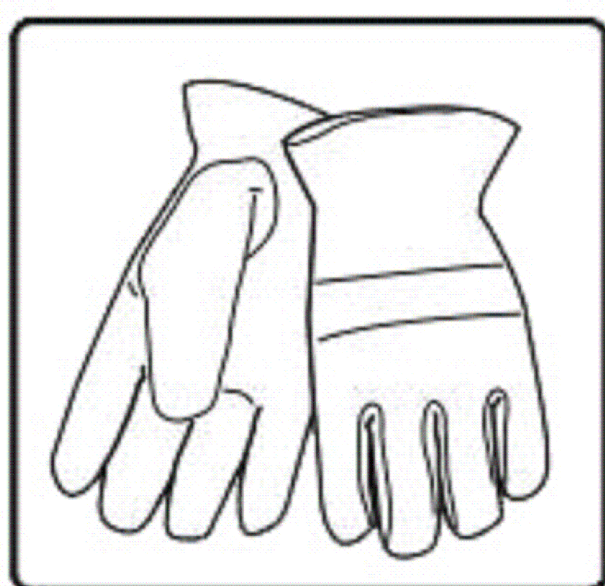
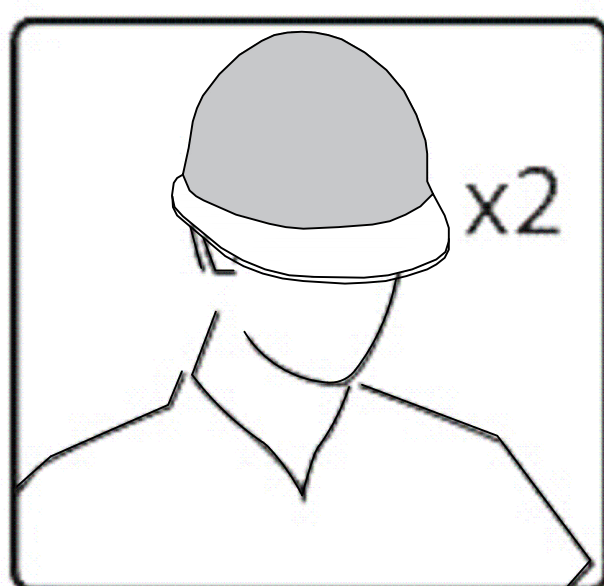
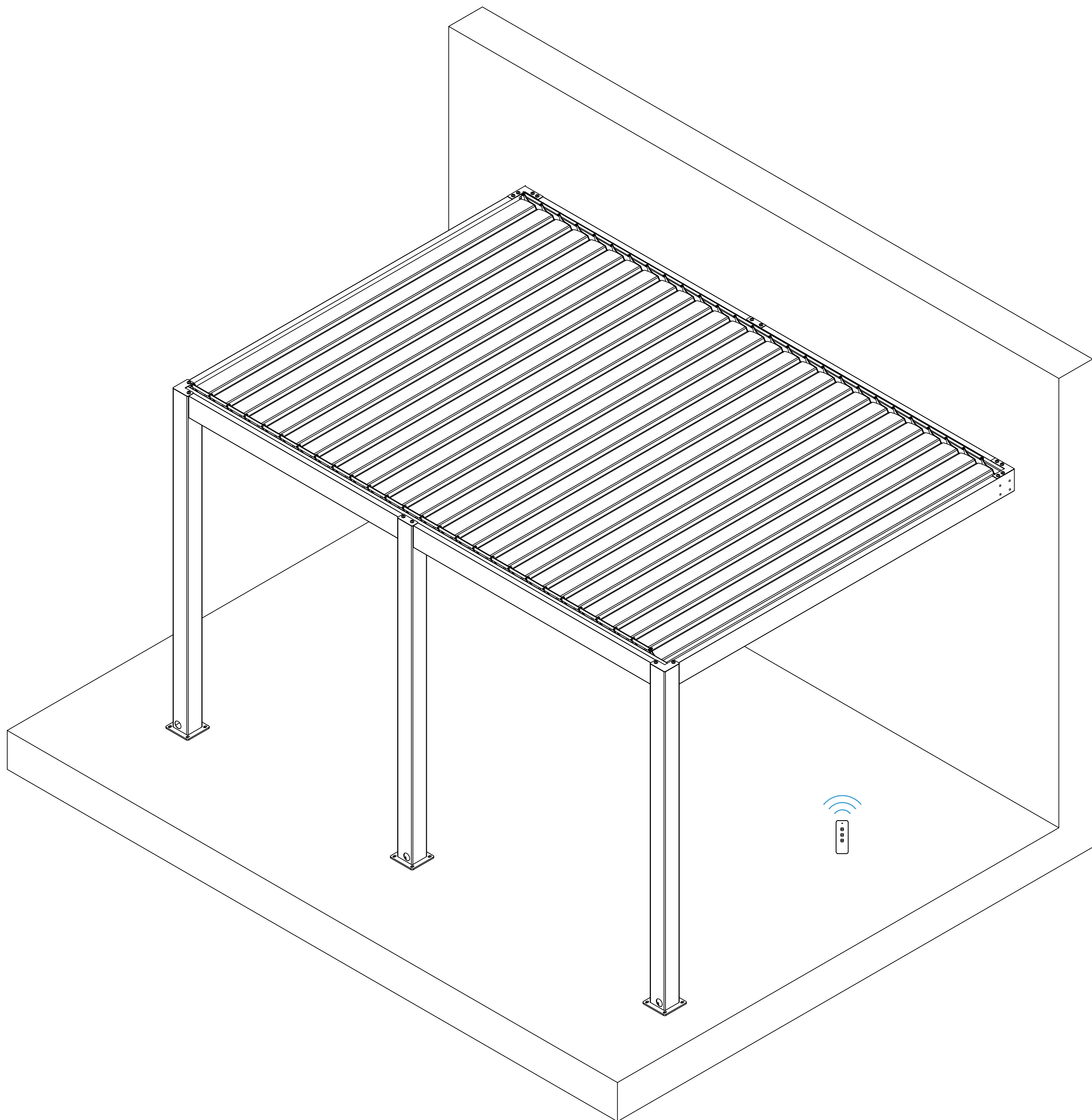


ELECTRIC PERGOLA WALL MOUNTED 3 POSTS

MOTORIZED 3X5m

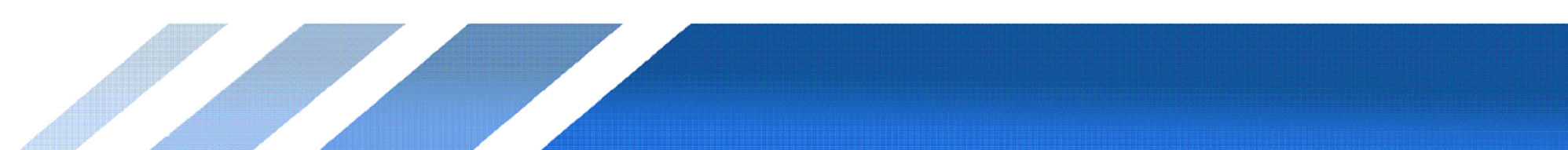




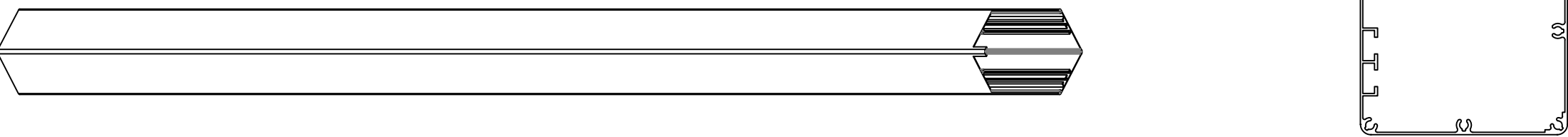
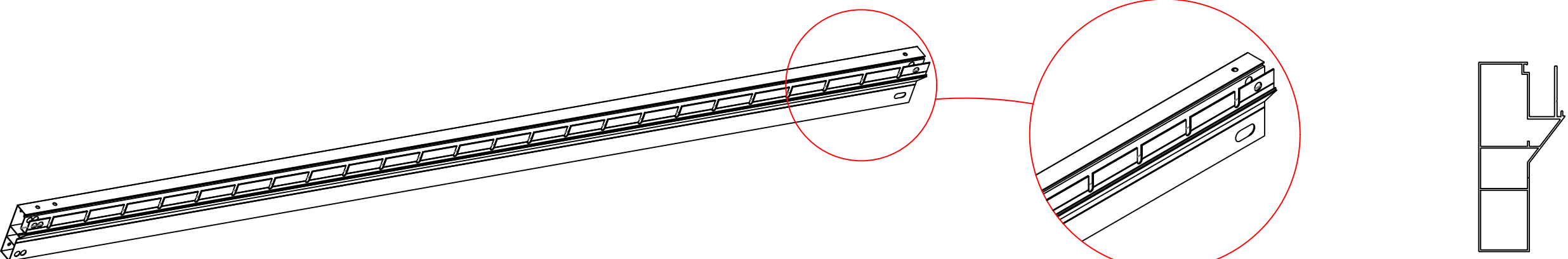
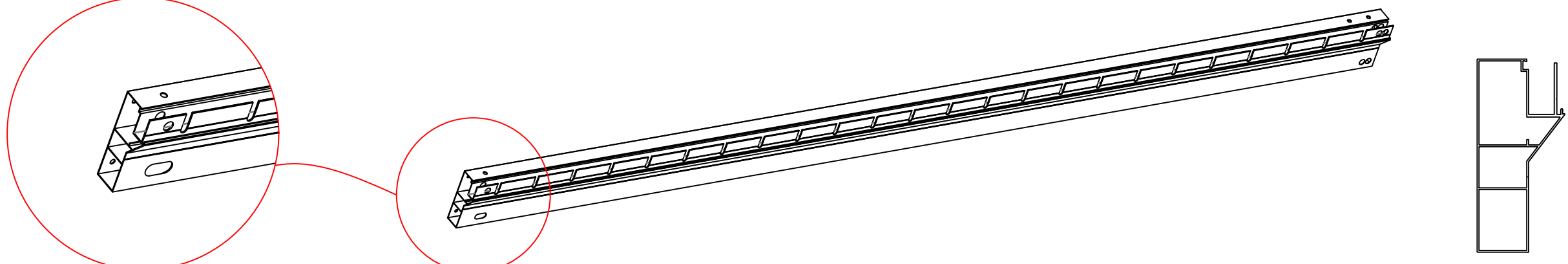
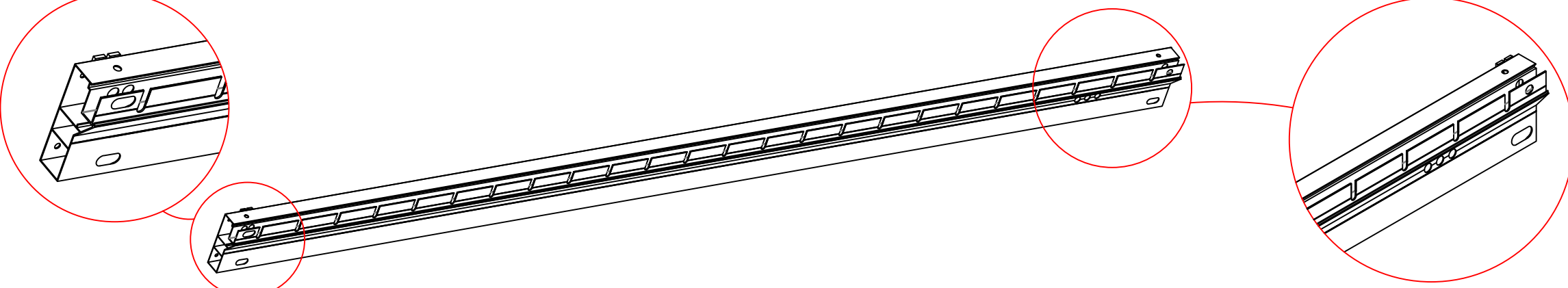
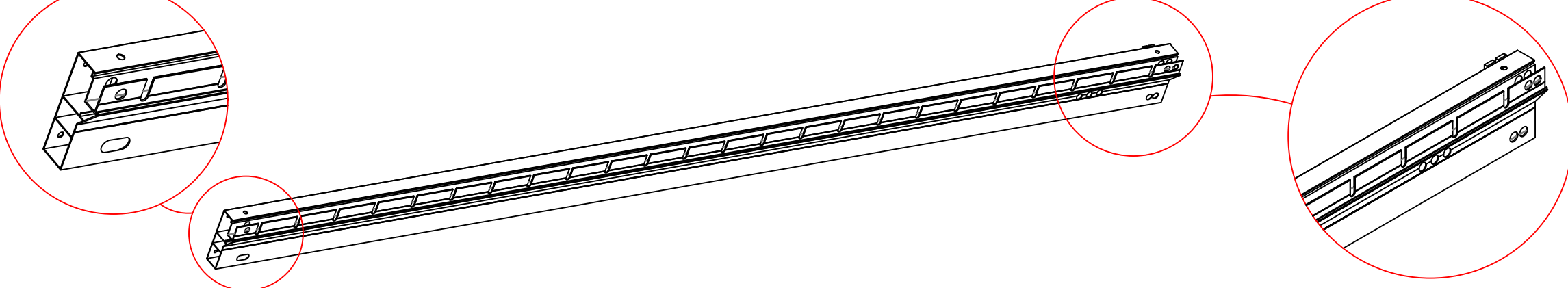
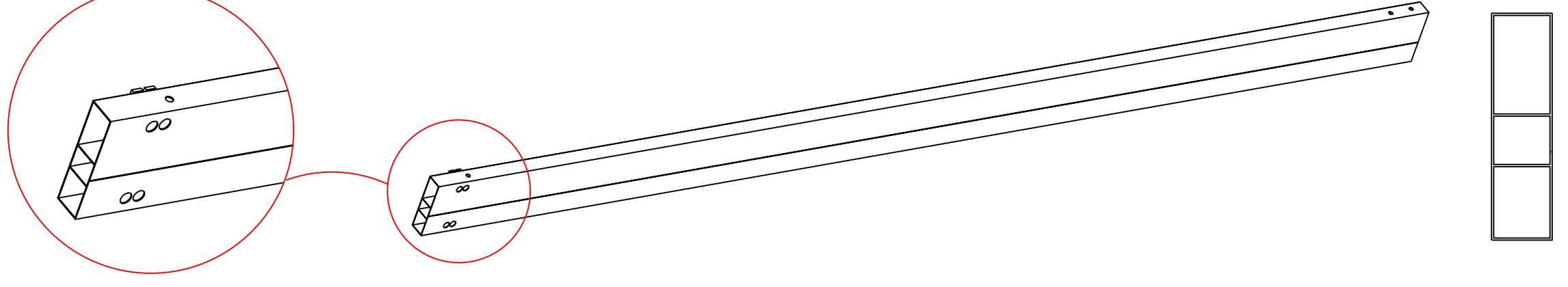

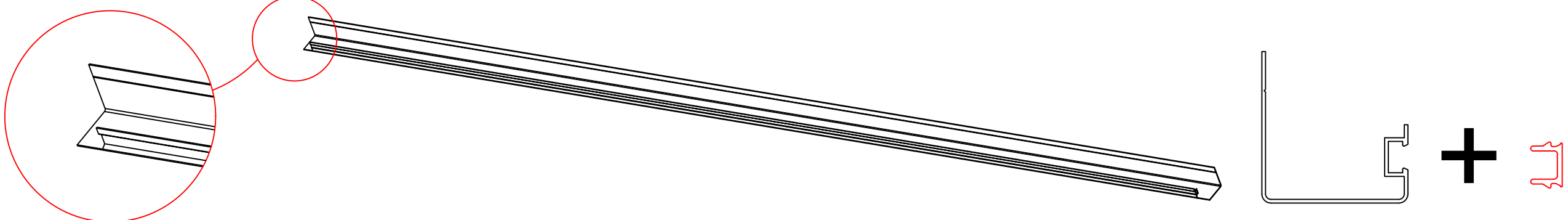
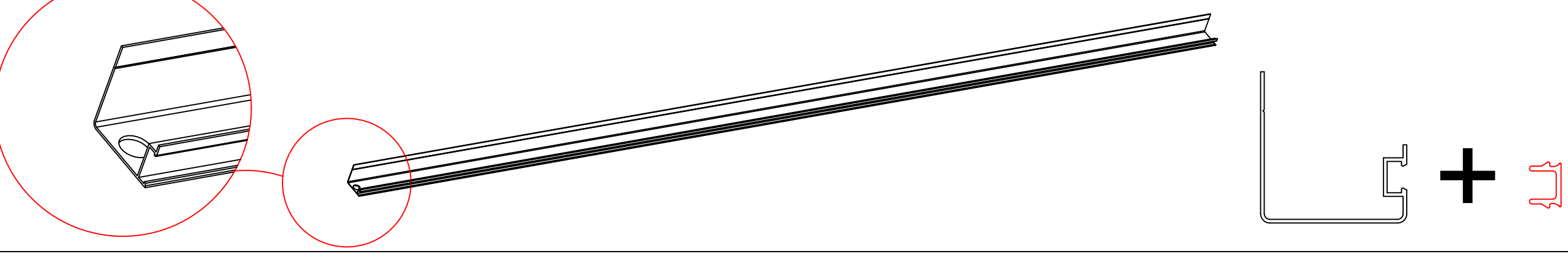
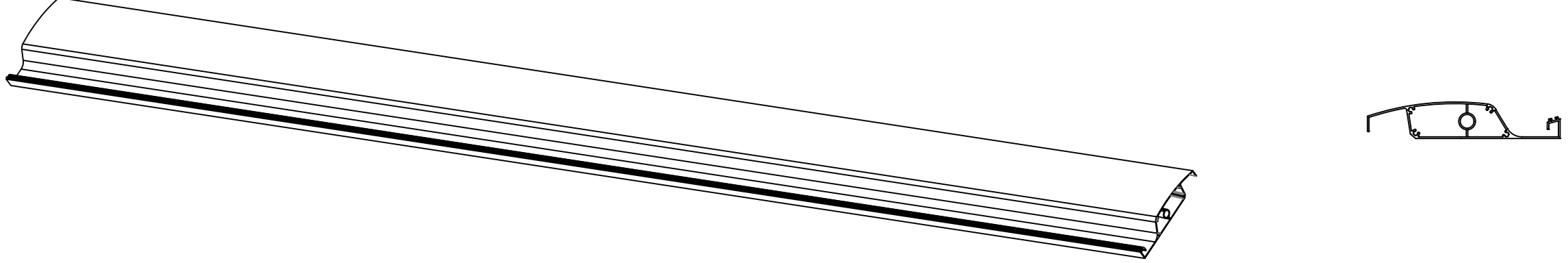


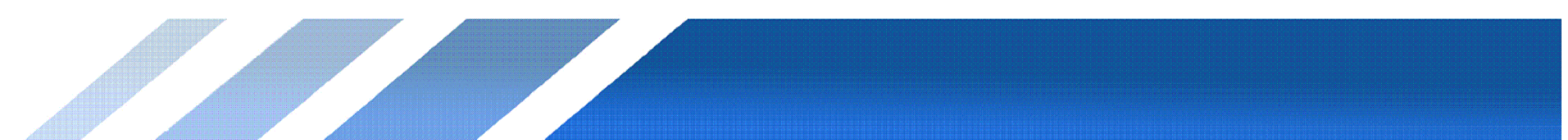
MOTORIZED 3X5m

	Item	Qty	Item	Qty	Item	Qty	Item	Qty
Carton 1/8	3B-01	2	3B-27	1	3B-11	2	3B-12	4
	3B-13	3	3B-14	2	3B-15	2	3B-18	1
	3B-19	22+	3B-20	66+	3B-21	12	3B-22	18
	3B-23	48+	3B-24	1	3B-26	2	3B-30	2
	3B-31	1	3B-35	2	3B-36	8	3B-38	8
	3B-45	4	3B-46	8	3B-40	2	3B-41	2
	3B-42	8	3B-48	33+	3B-49	31+	3B-50	2
	3B-51	264+	3B-32	2	3B-33	2	3B-39	16+
Carton 2/8	3B-04	2	3B-29	4	3B-34	2		
Carton 3/8	3B-02	1	3B-02-2	1	3B-03	1	3B-03-2	1
	3B-08A/B /C/D	4	3B-09	4				
Carton 4/8	3B-06	7						
Carton 5/8	3B-06	7						
Carton 6/8	3B-06	7						
Carton 7/8	3B-06	7						
Carton 8/8	3B-06	5	3B-05/ -1/-2	6				

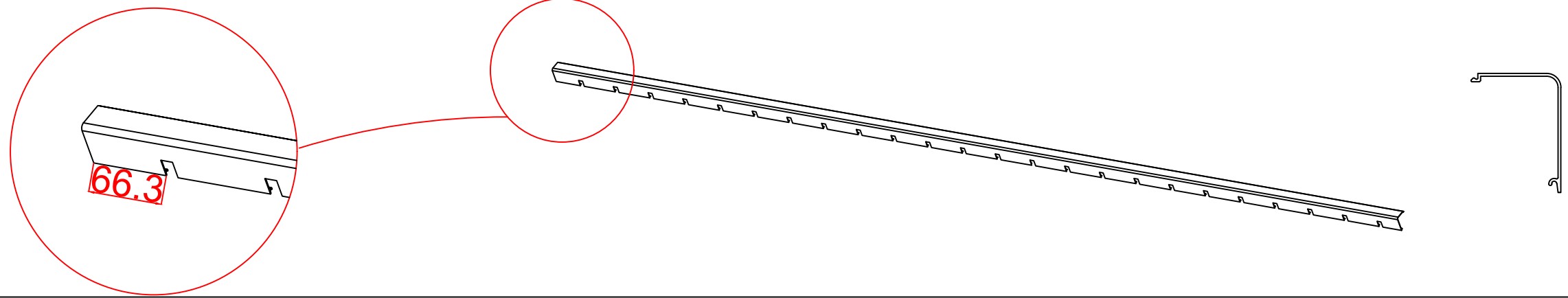
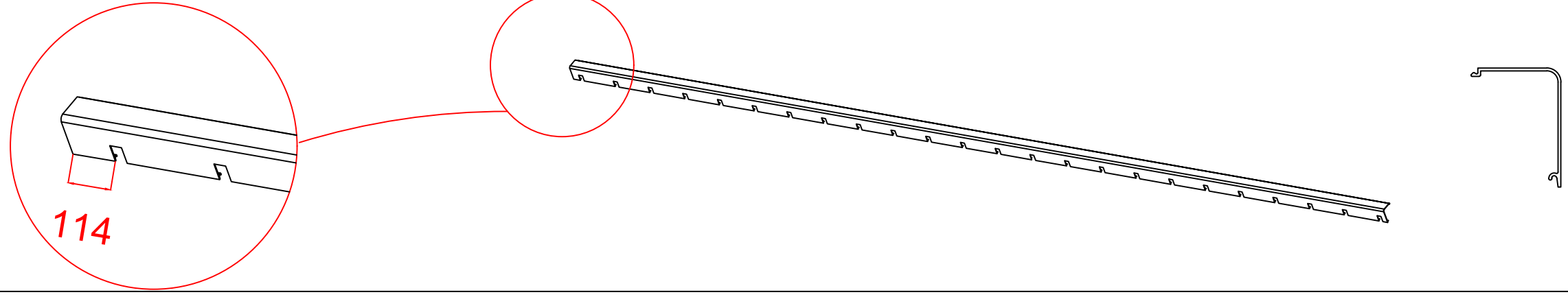
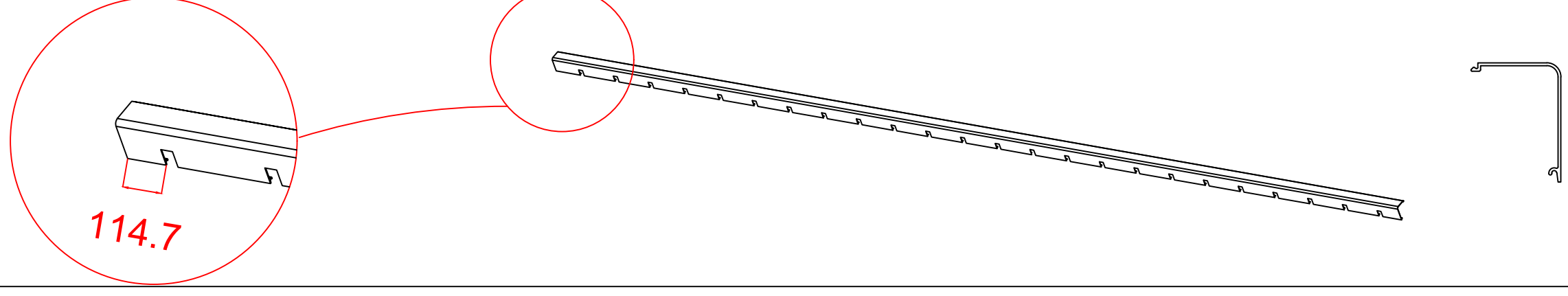
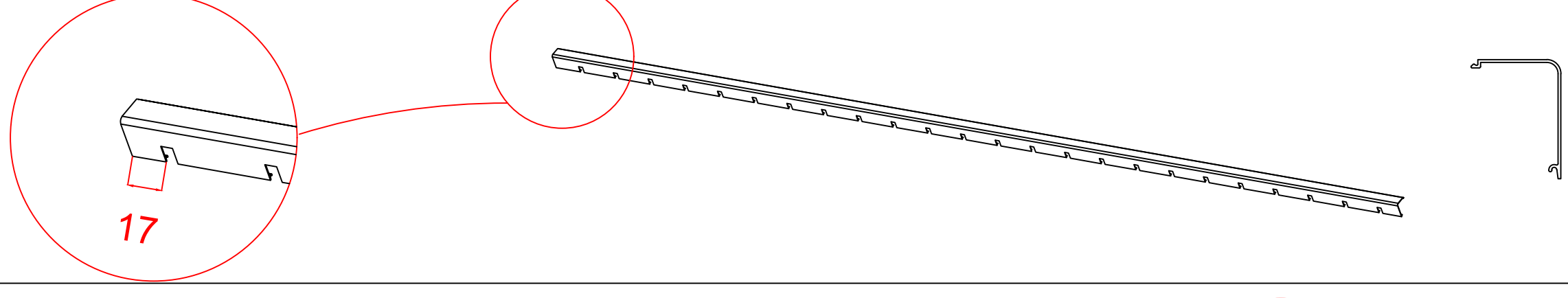
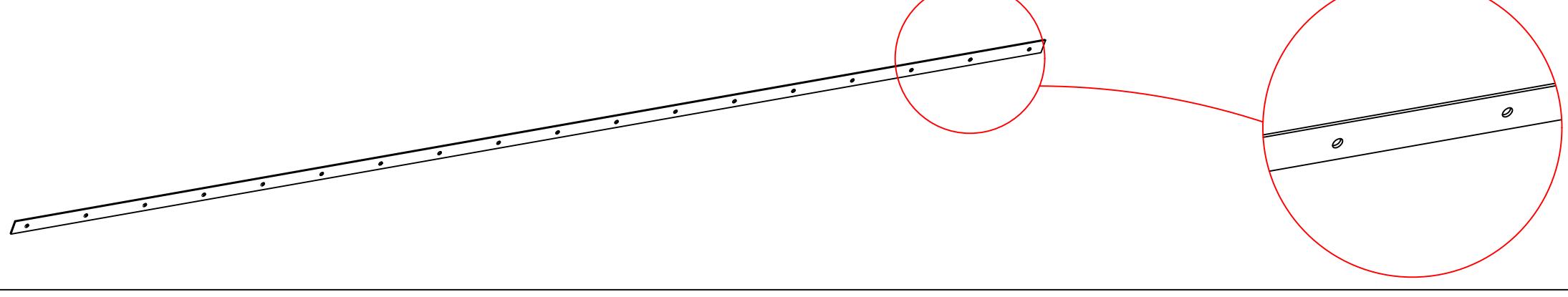
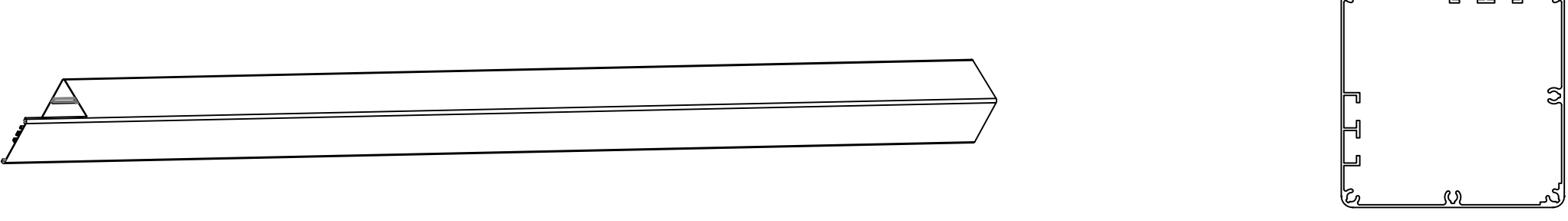
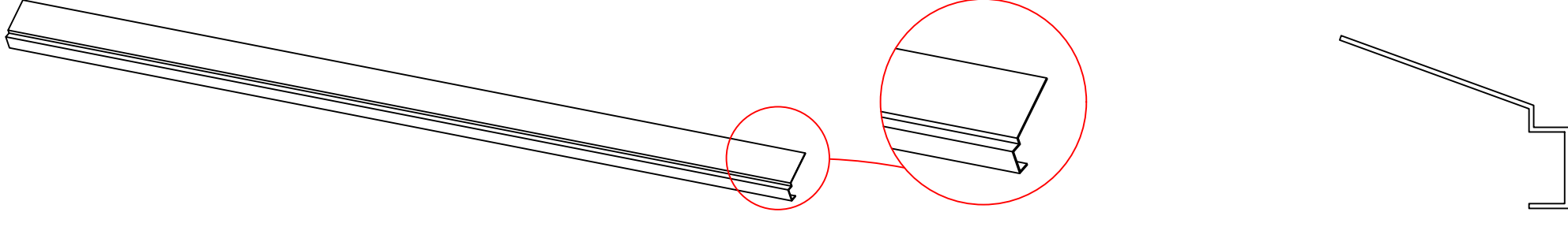
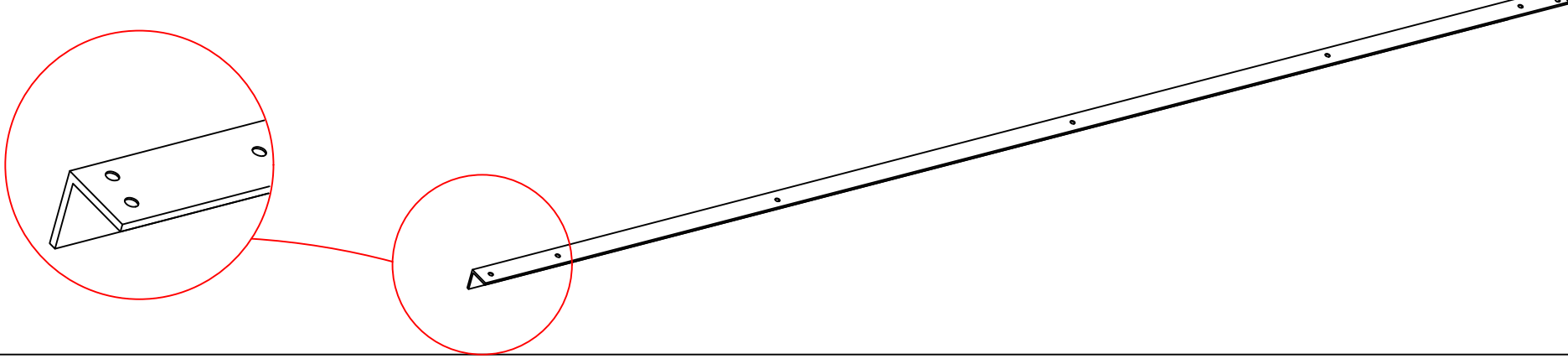


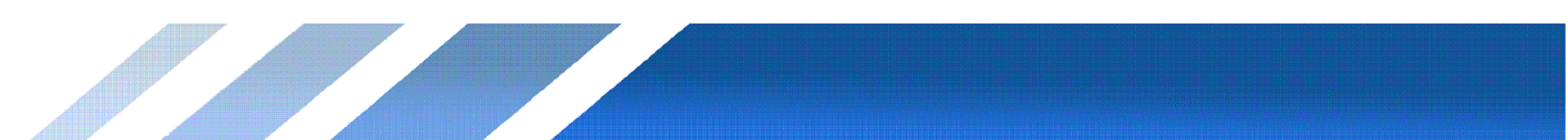


Item	Drawings	Qty
3B-01		2
3B-02		1
3B-02-2		1
3B-03		1
3B-03-2		1
3B-04		2
3B-05		2
3B-05-1		2
3B-05-2		2
3B-06		33





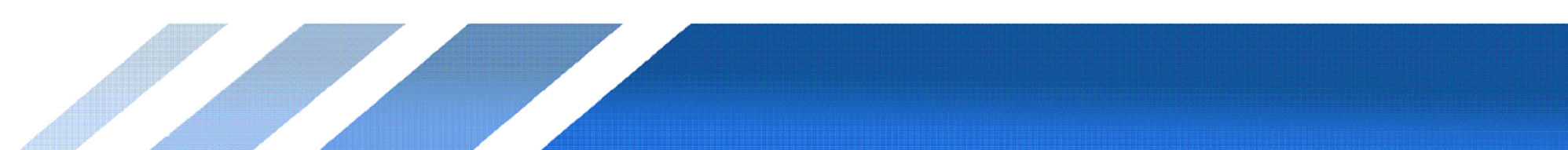
Item	Drawings	Qty
3B-08A		1
3B-08B		1
3B-08C		1
3B-08D		1
3B-09		4
3B-27		1
3B-29		4
3B-34		2





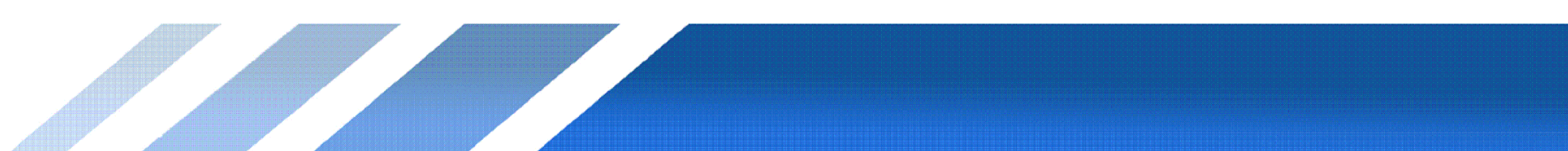
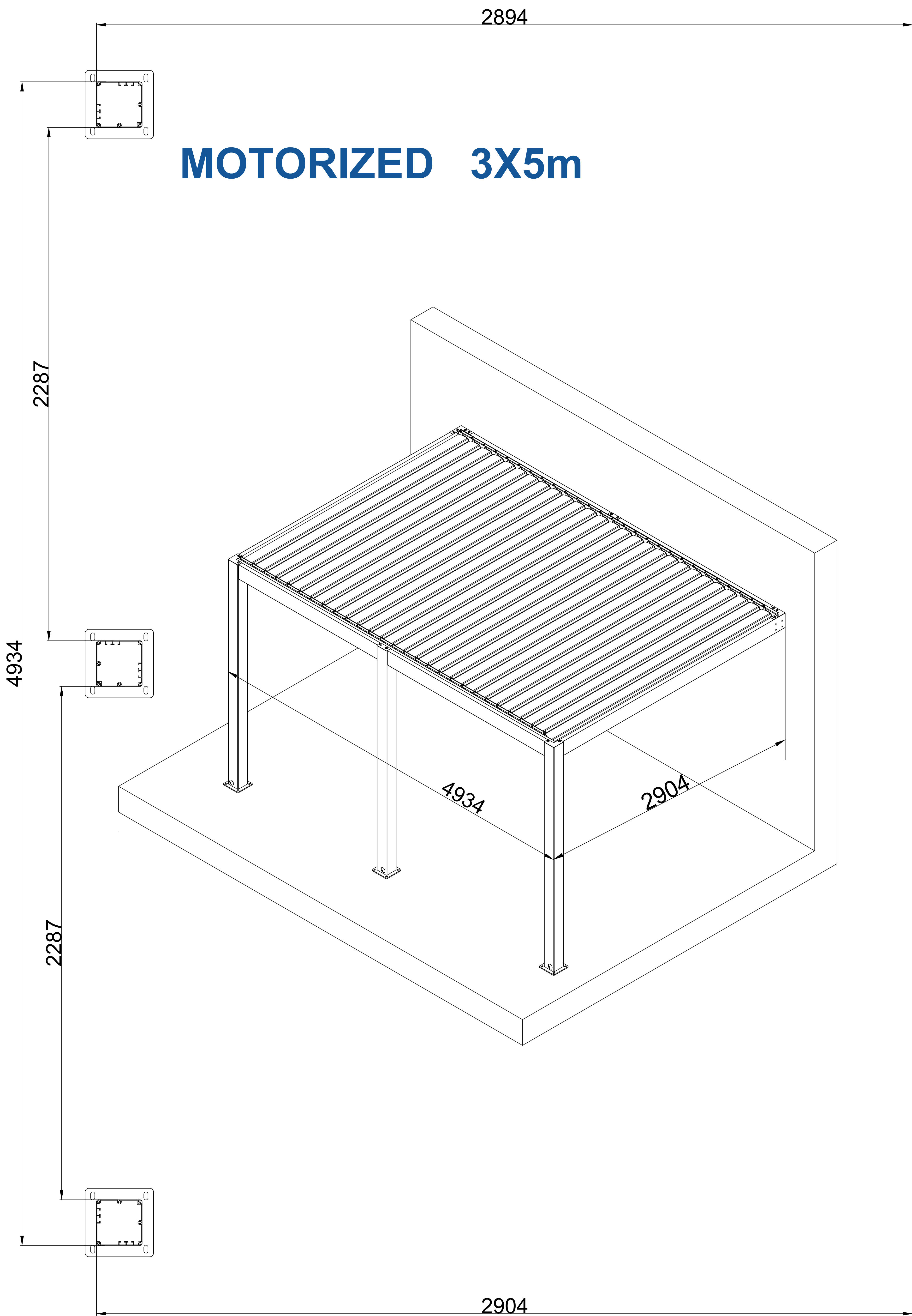
Item	Drawings	Qty
3B-11		2
3B-12		4
3B-13		3
3B-14		2
3B-15	 M8*20 lock nut	2
3B-18		1
3B-19	 M8*20	22+
3B-20		66+
3B-21	 M10*80	12
3B-22		18
3B-23		48+
3B-24		1
3B-26		2
3B-30		2
3B-31		1

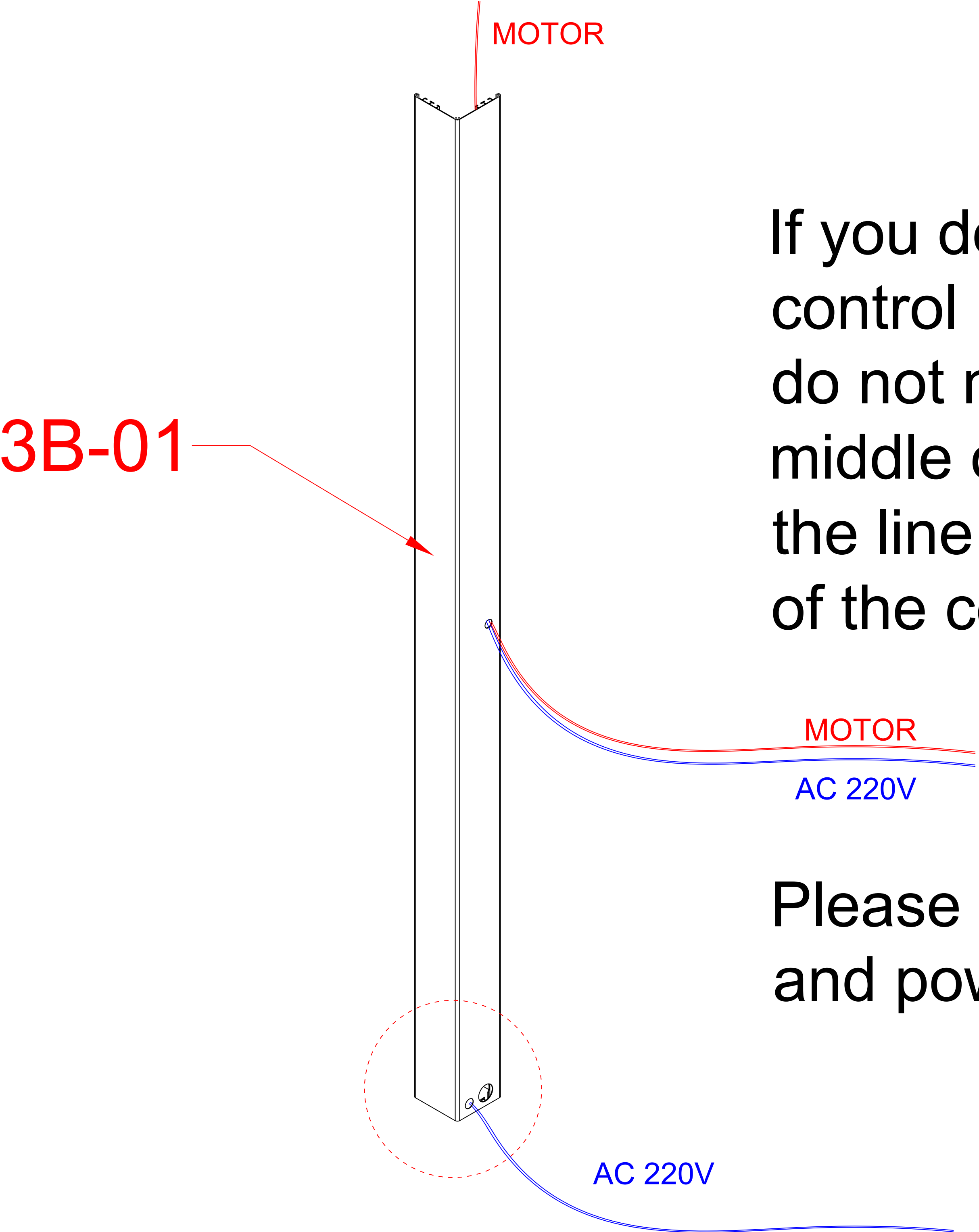
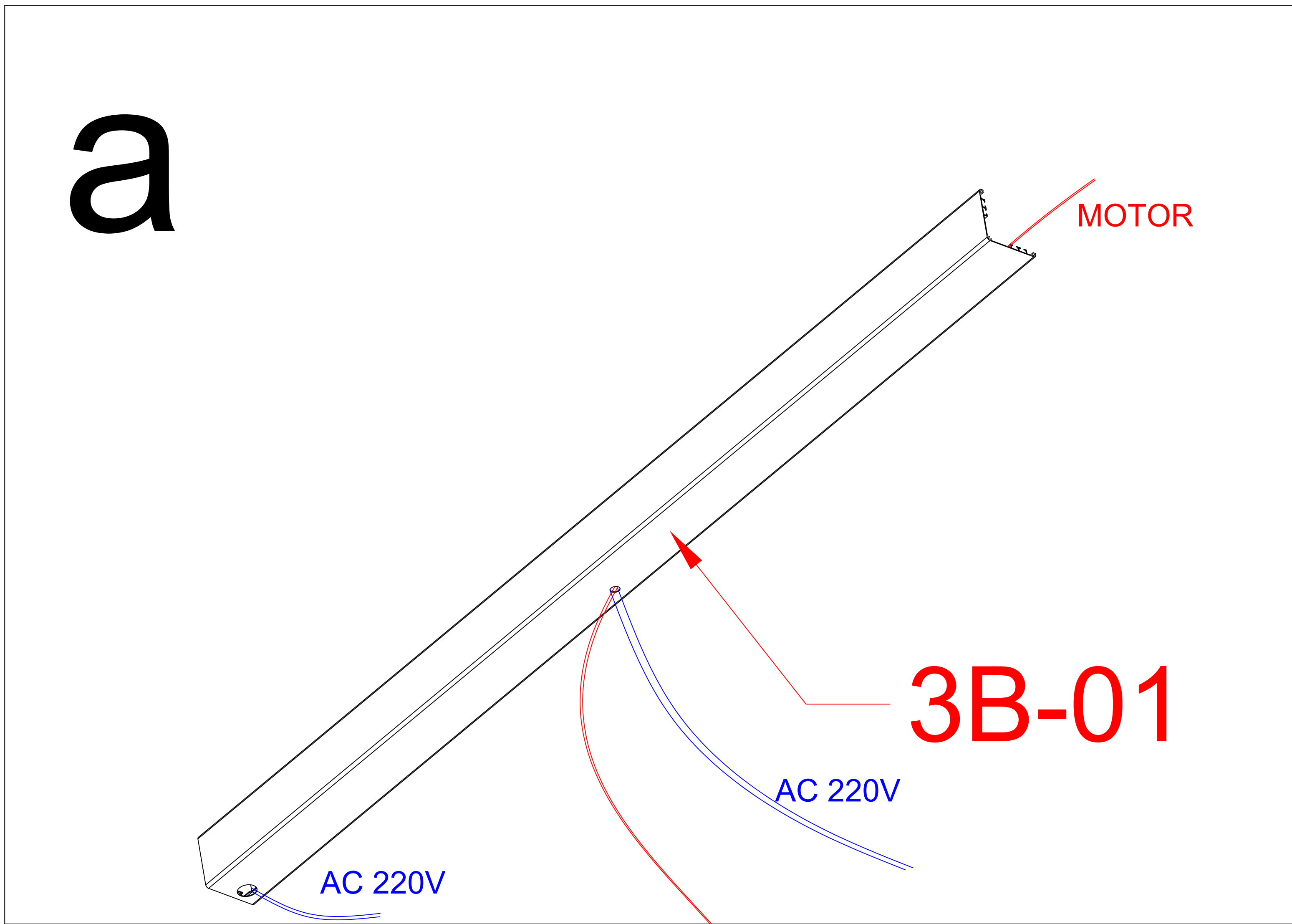
Item	Drawings	Qty
3B-32		2
3B-33		2
3B-35		2
3B-36		8
3B-38	 M5.5*25	8
3B-39	 M8*60	16+
3B-45	 M8*12	4
3B-46		8
3B-40		2
3B-41		2
3B-42	 M10*20	8
3B-48		33+
3B-49		31+
3B-50		2
3B-51	 M4.2*25	264+





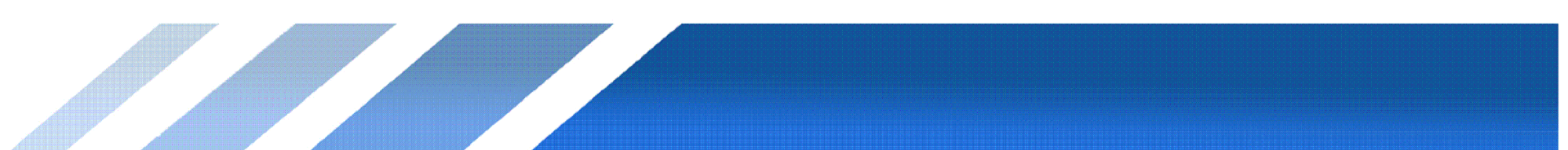
MOTORIZED 3X5m

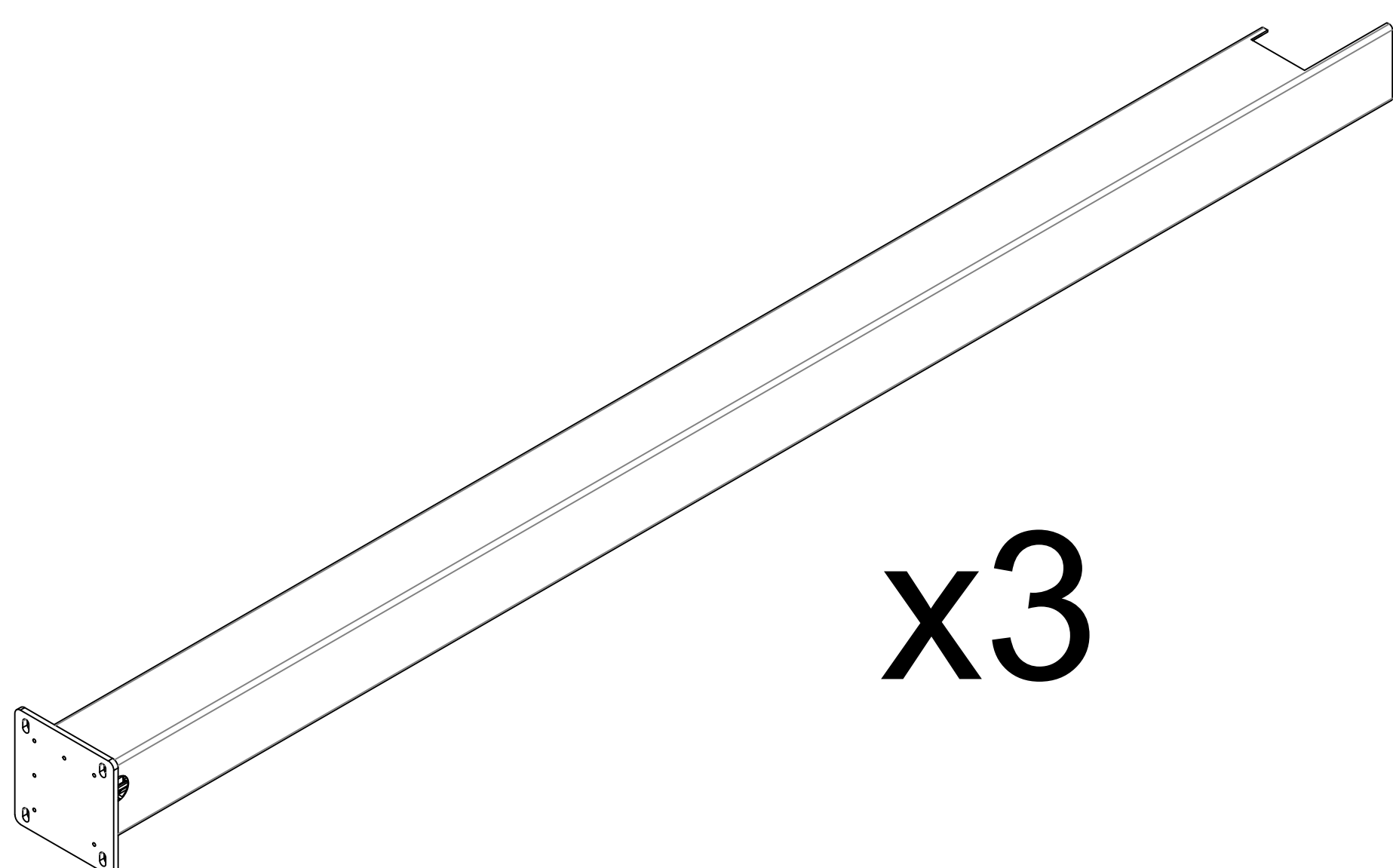
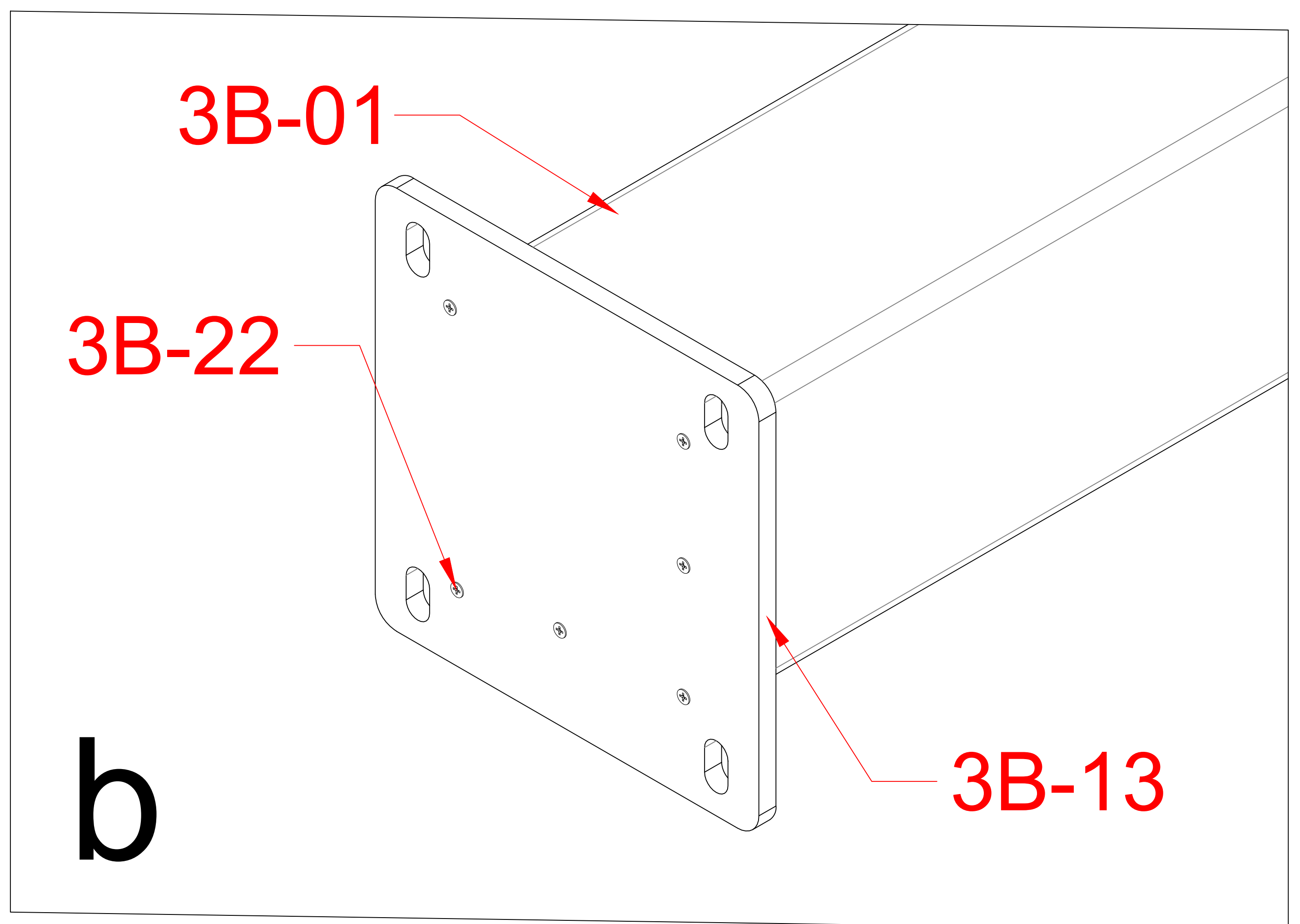
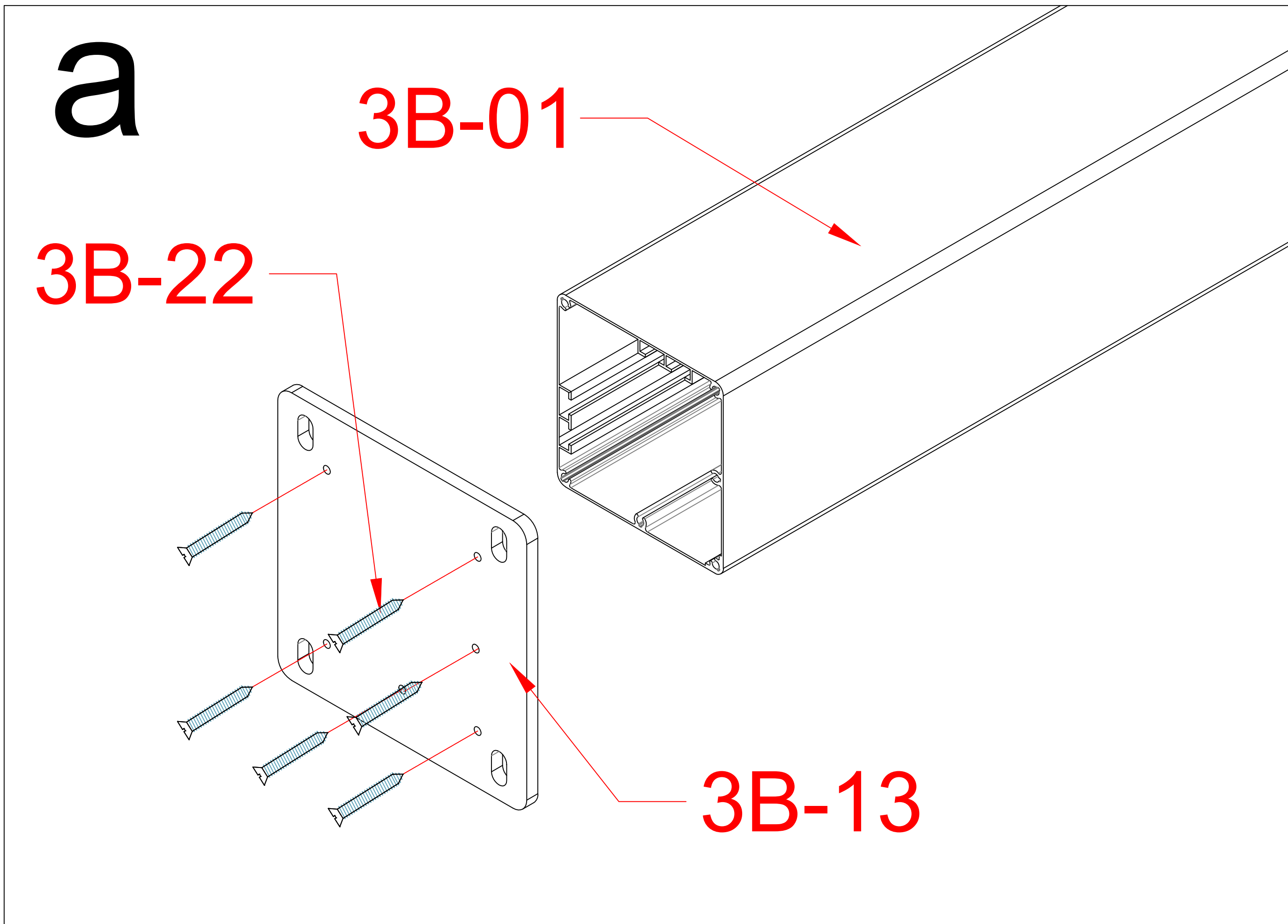



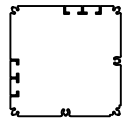
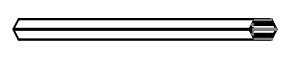
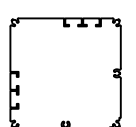
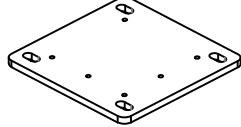
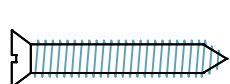


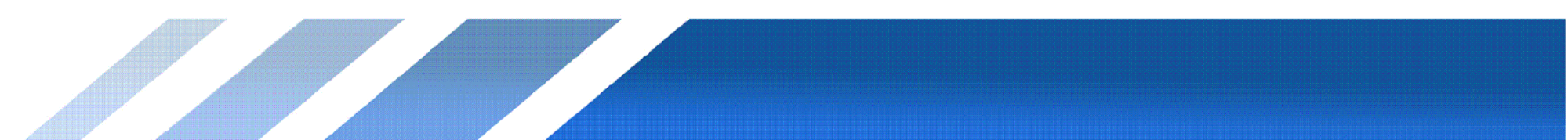
If you do not want to place the control box on the column, you do not need to drill holes in the middle of the column and thread the line directly from the bottom of the column

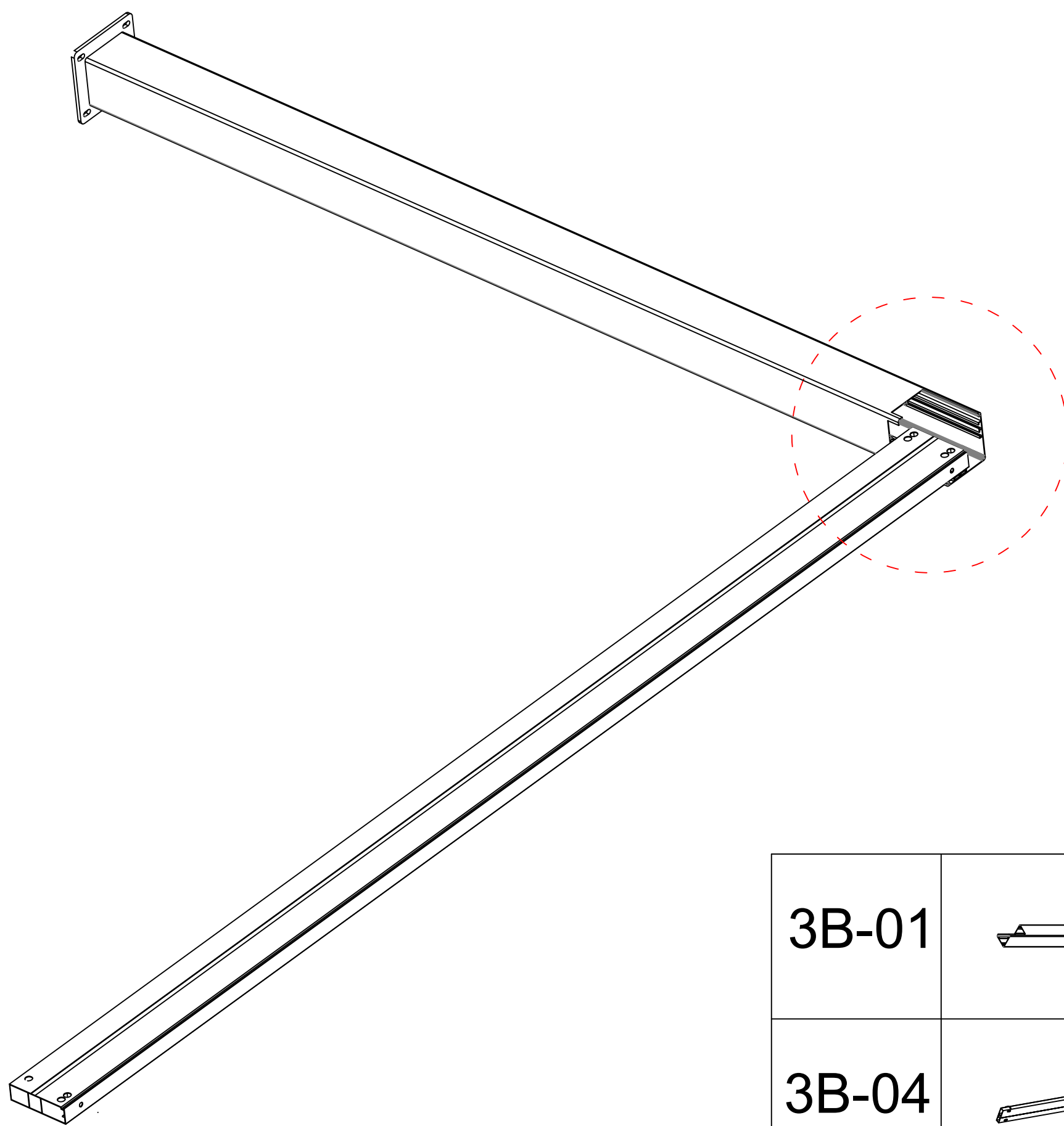
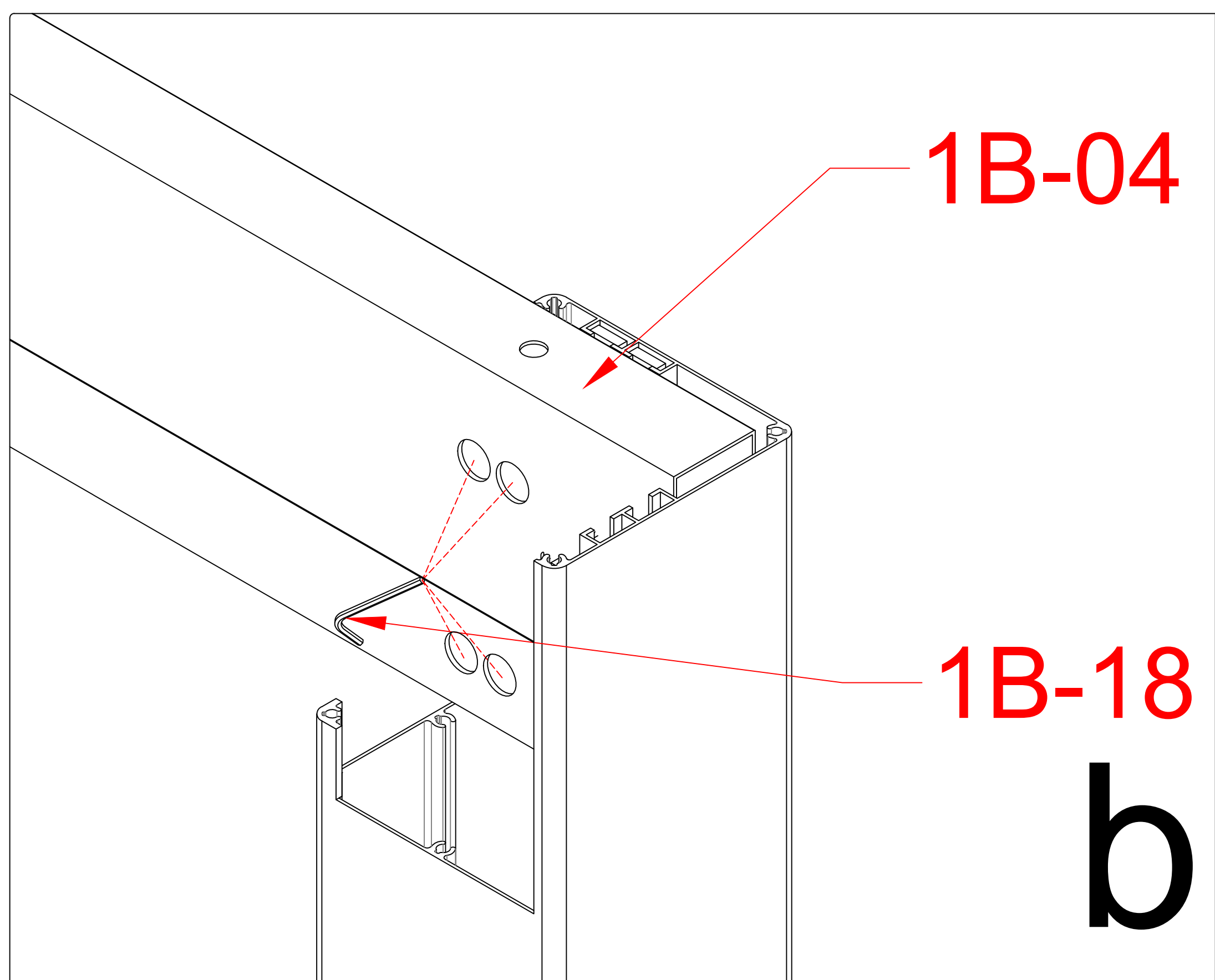
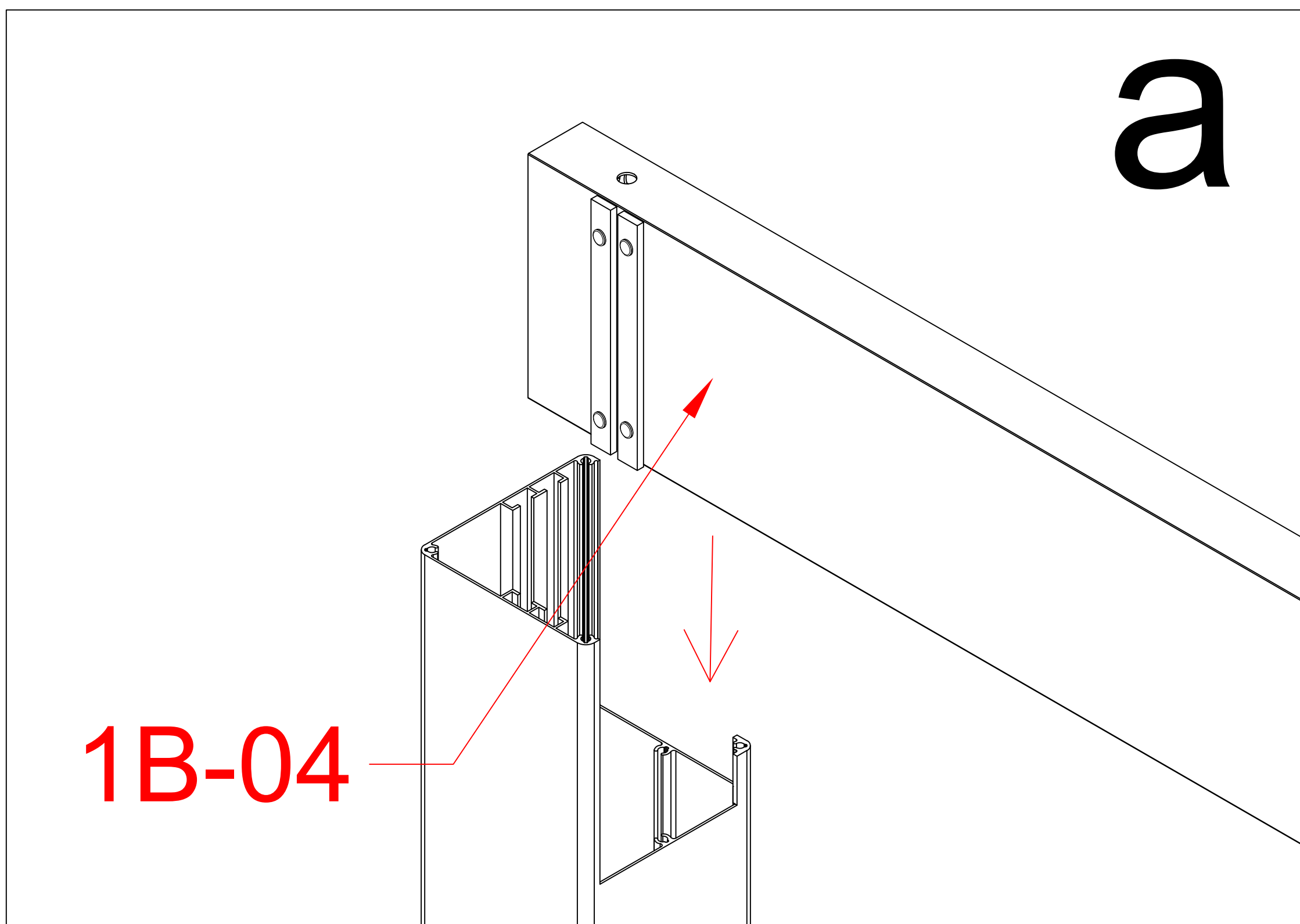
Please bring your own cable and power cord and plug





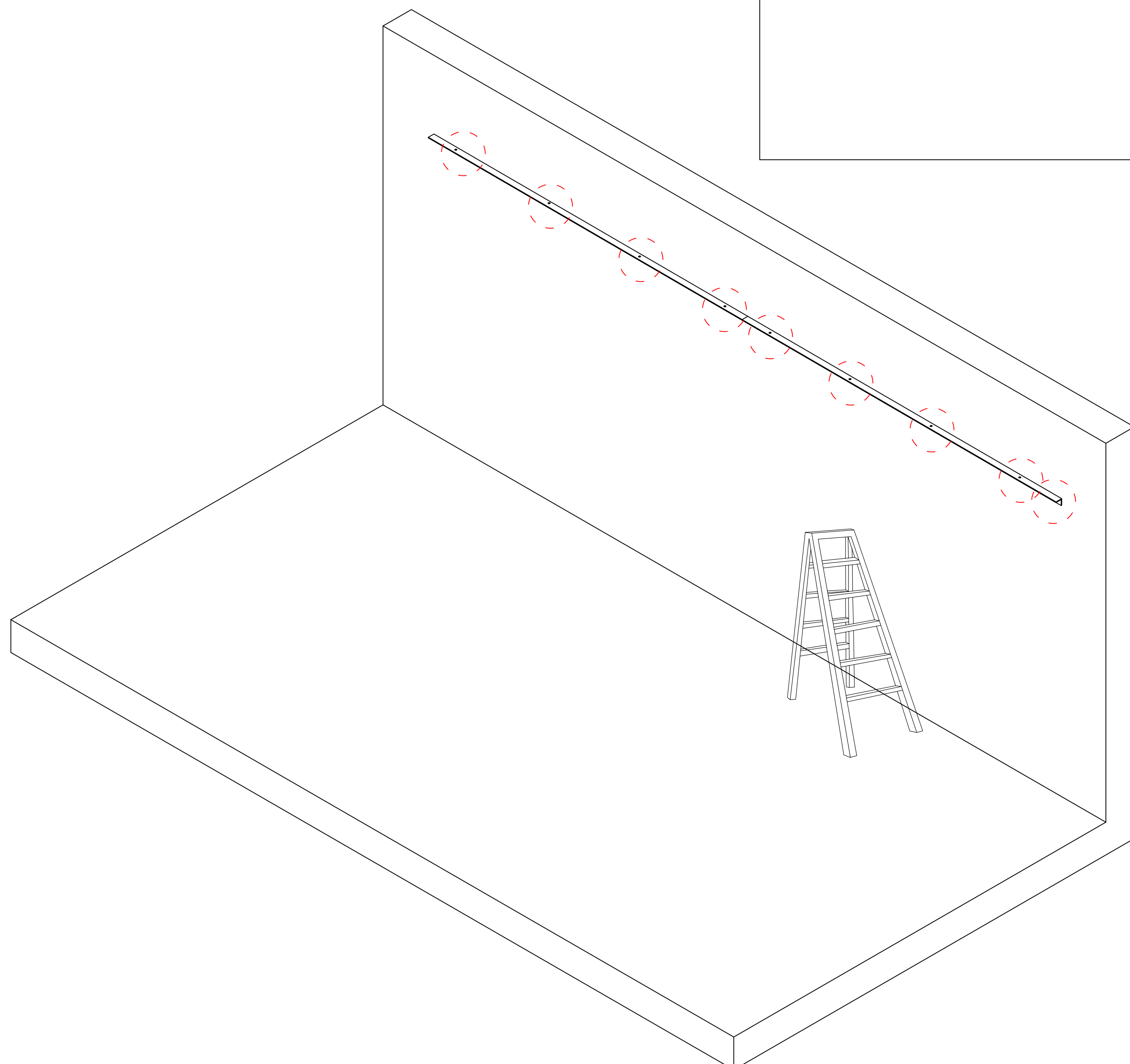
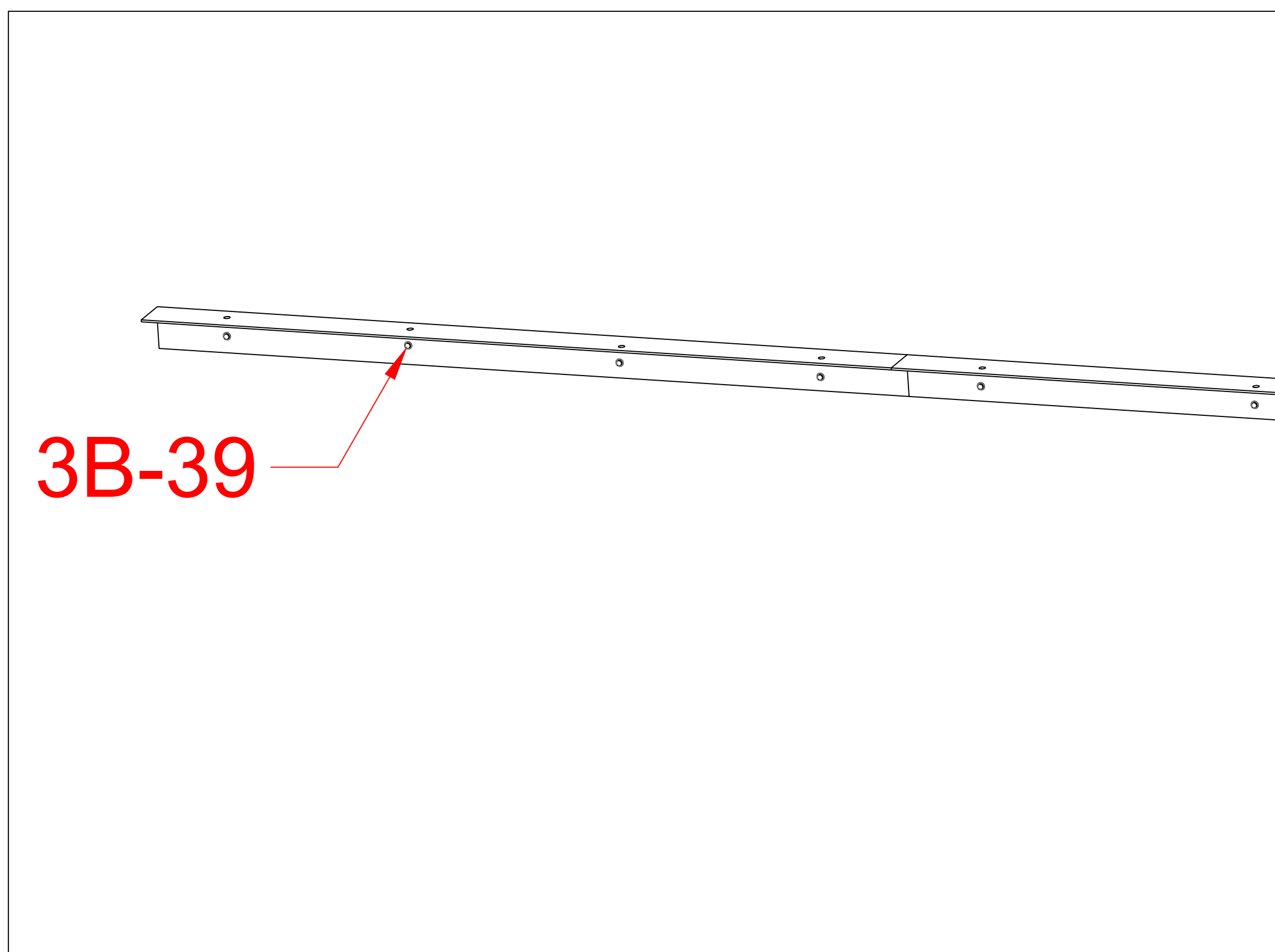
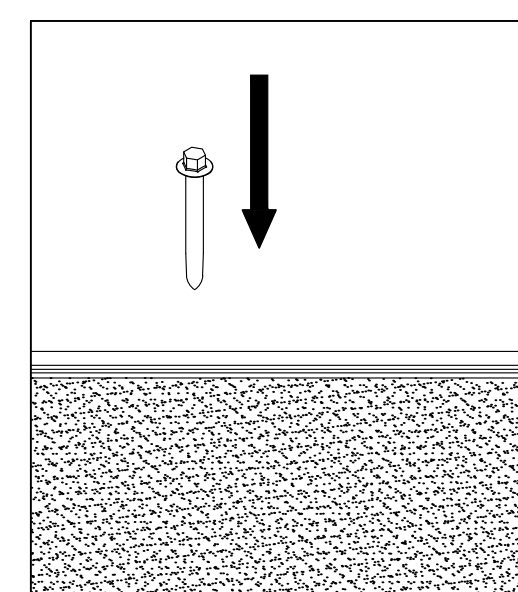
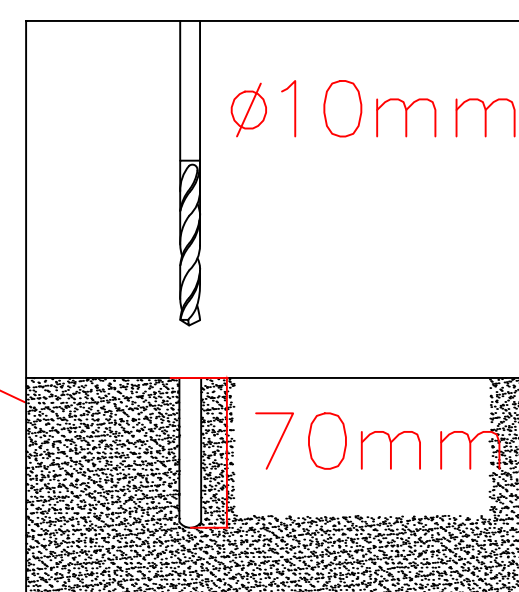
3B-27			1
3B-01			2
3B-13			3
3B-22			18



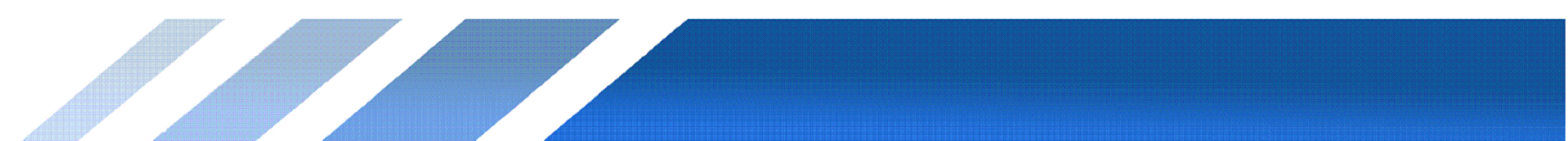


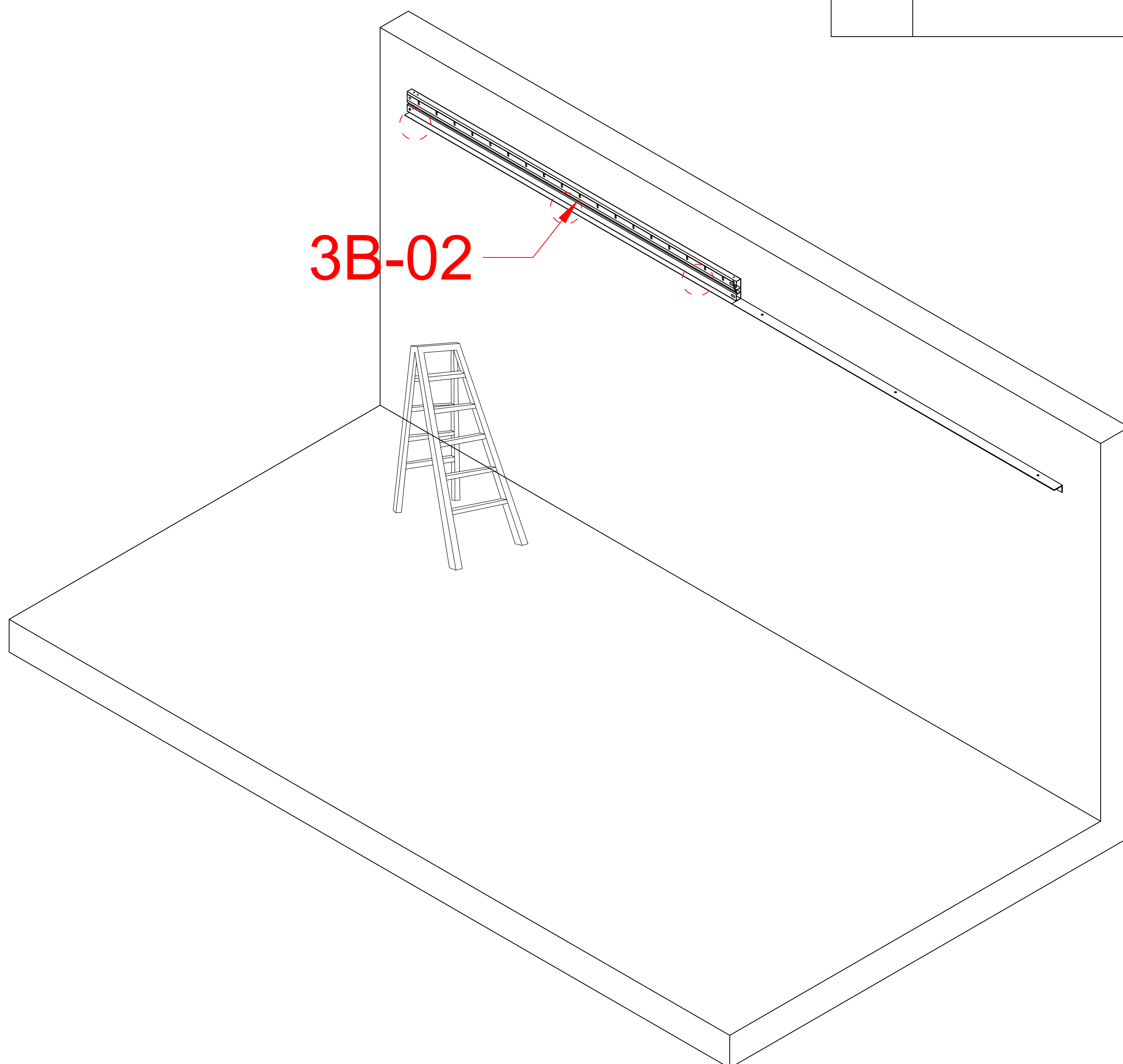
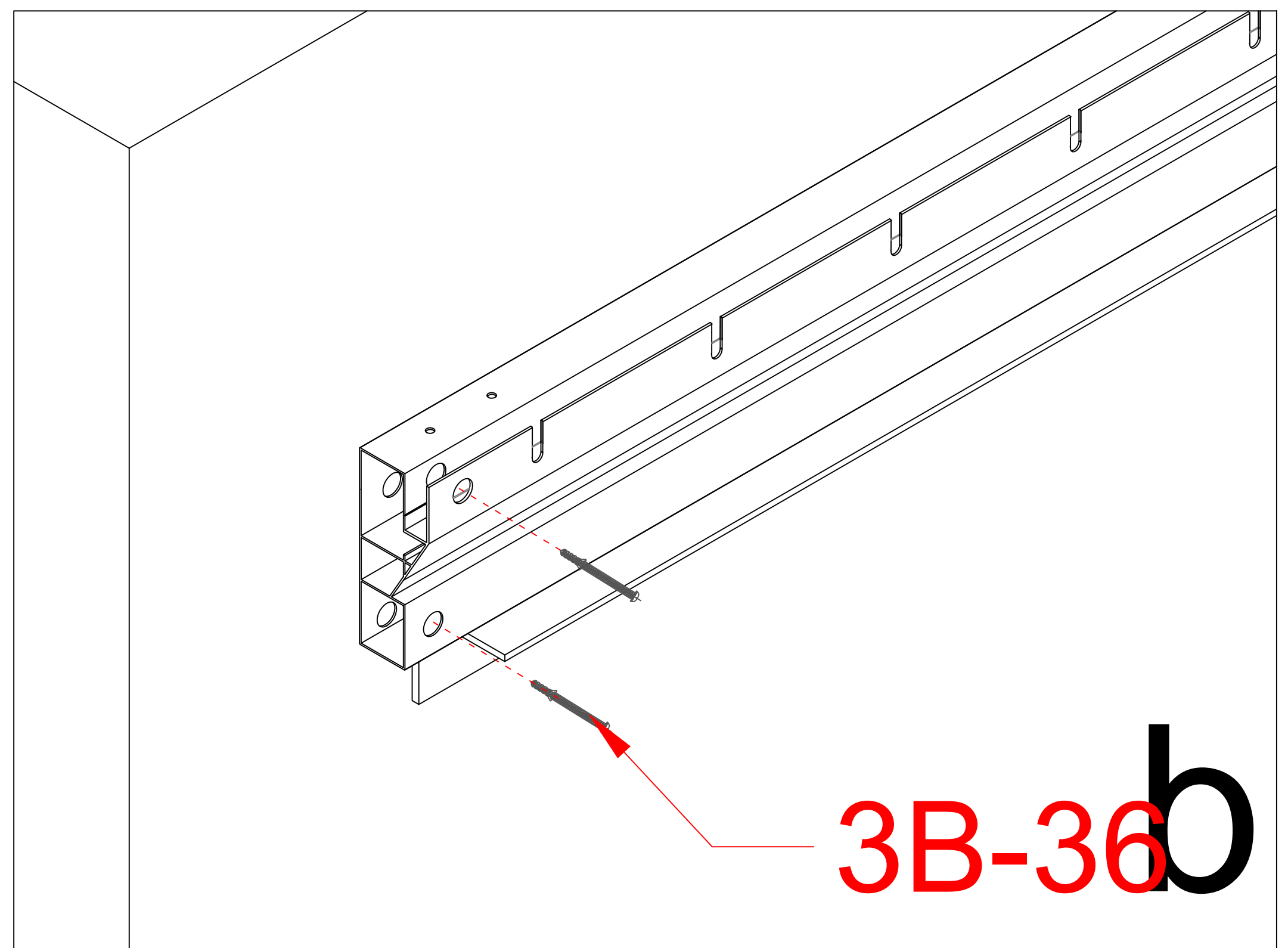
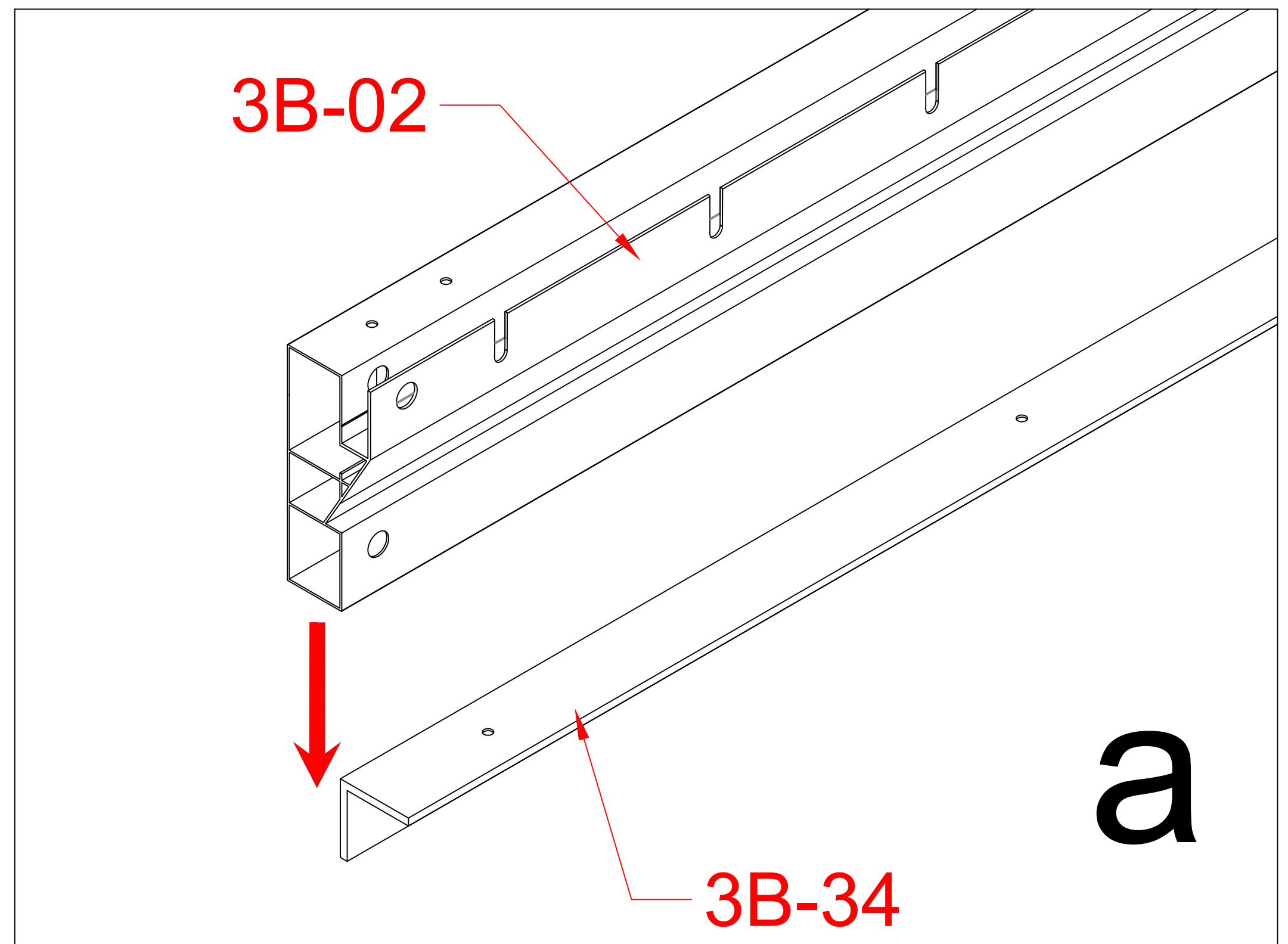
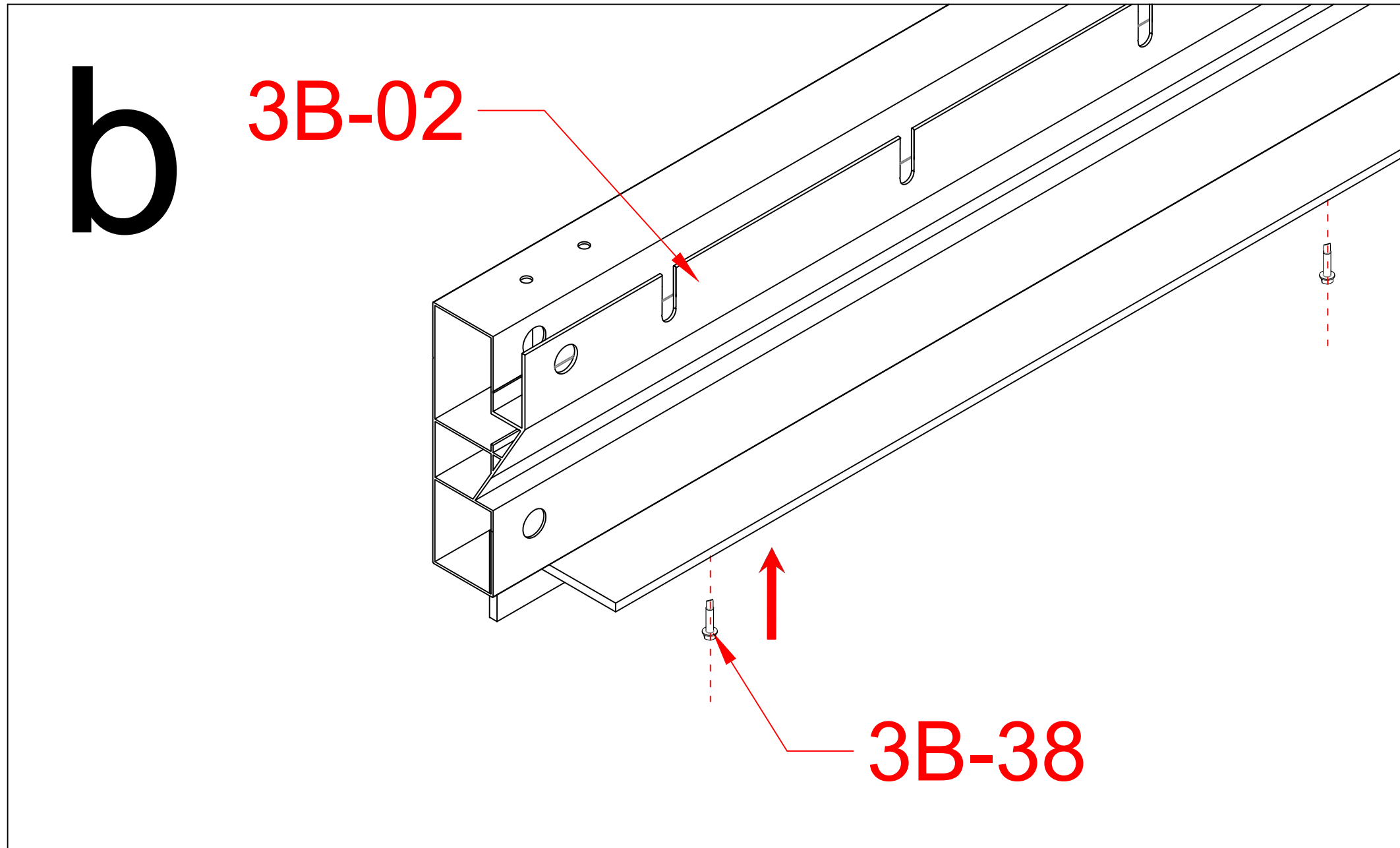
3B-01		2
3B-04		2

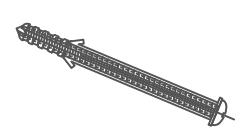
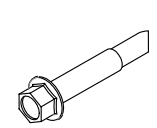
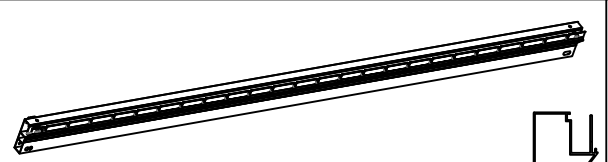


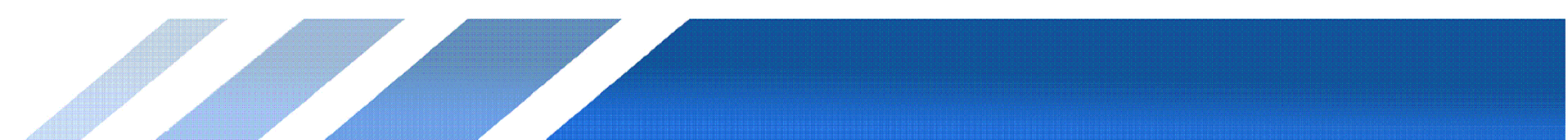


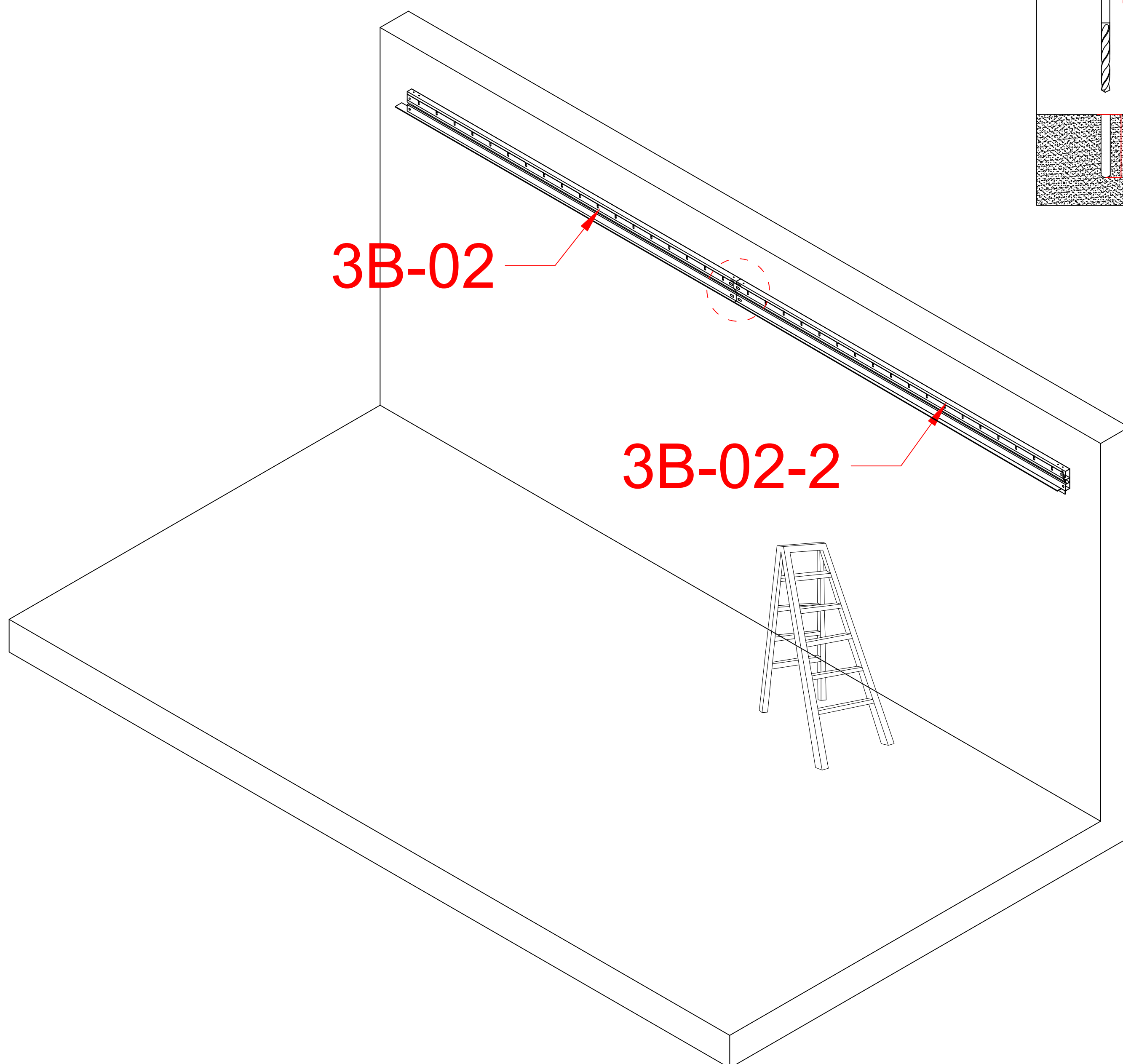
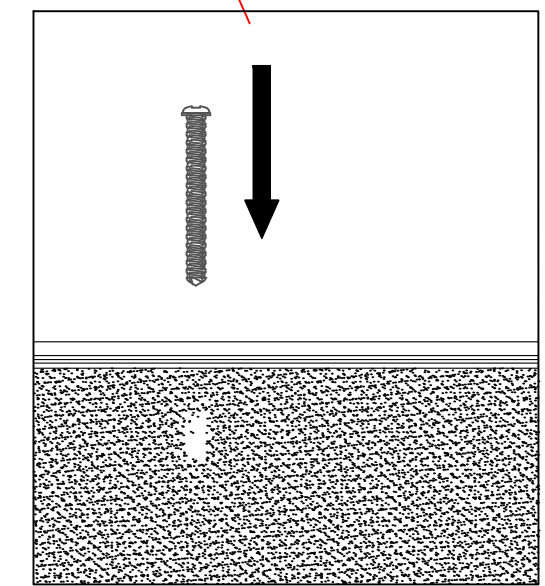
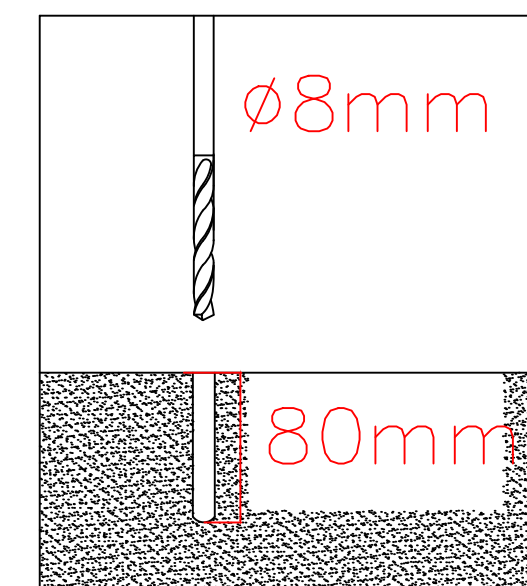
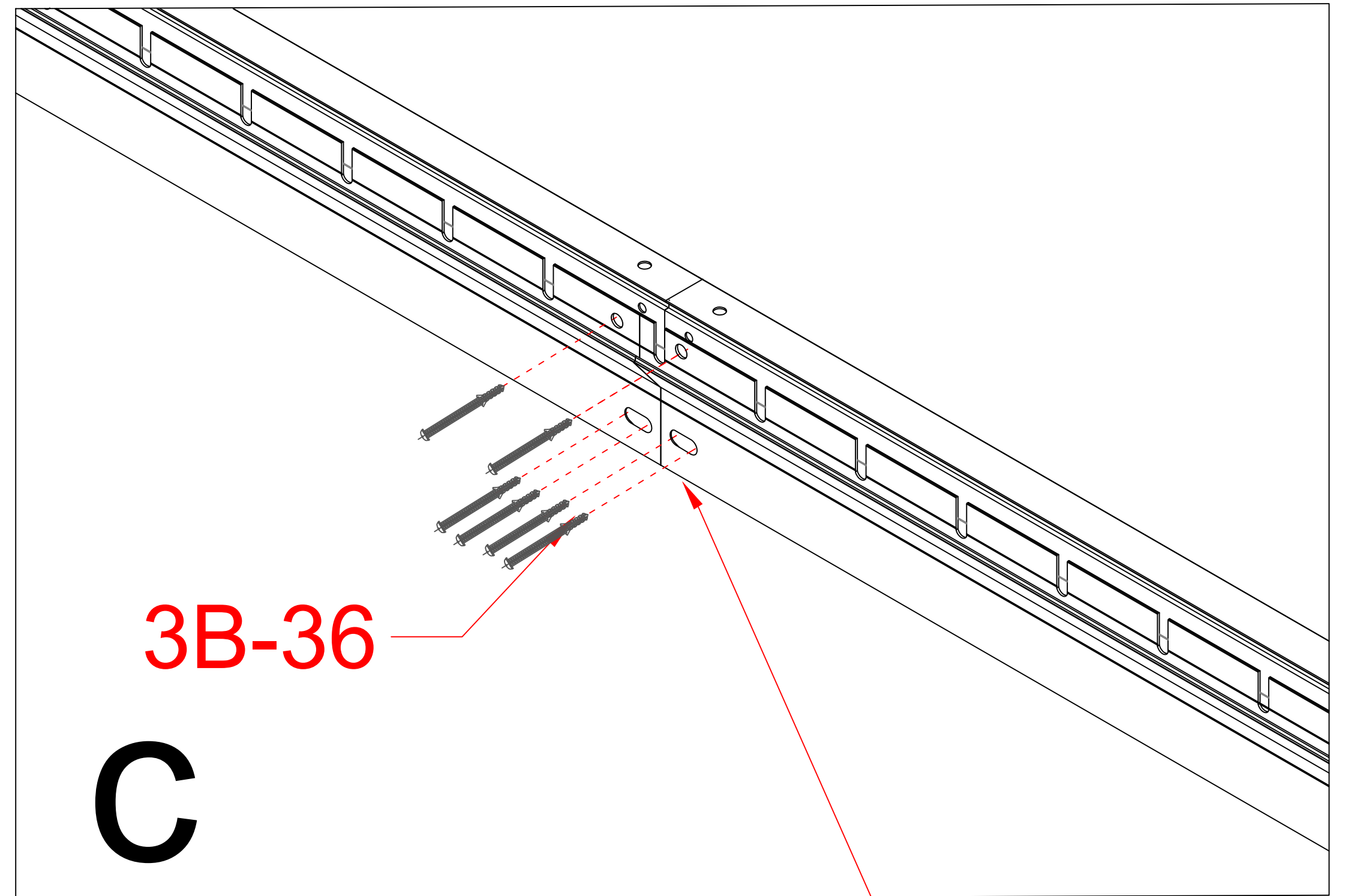
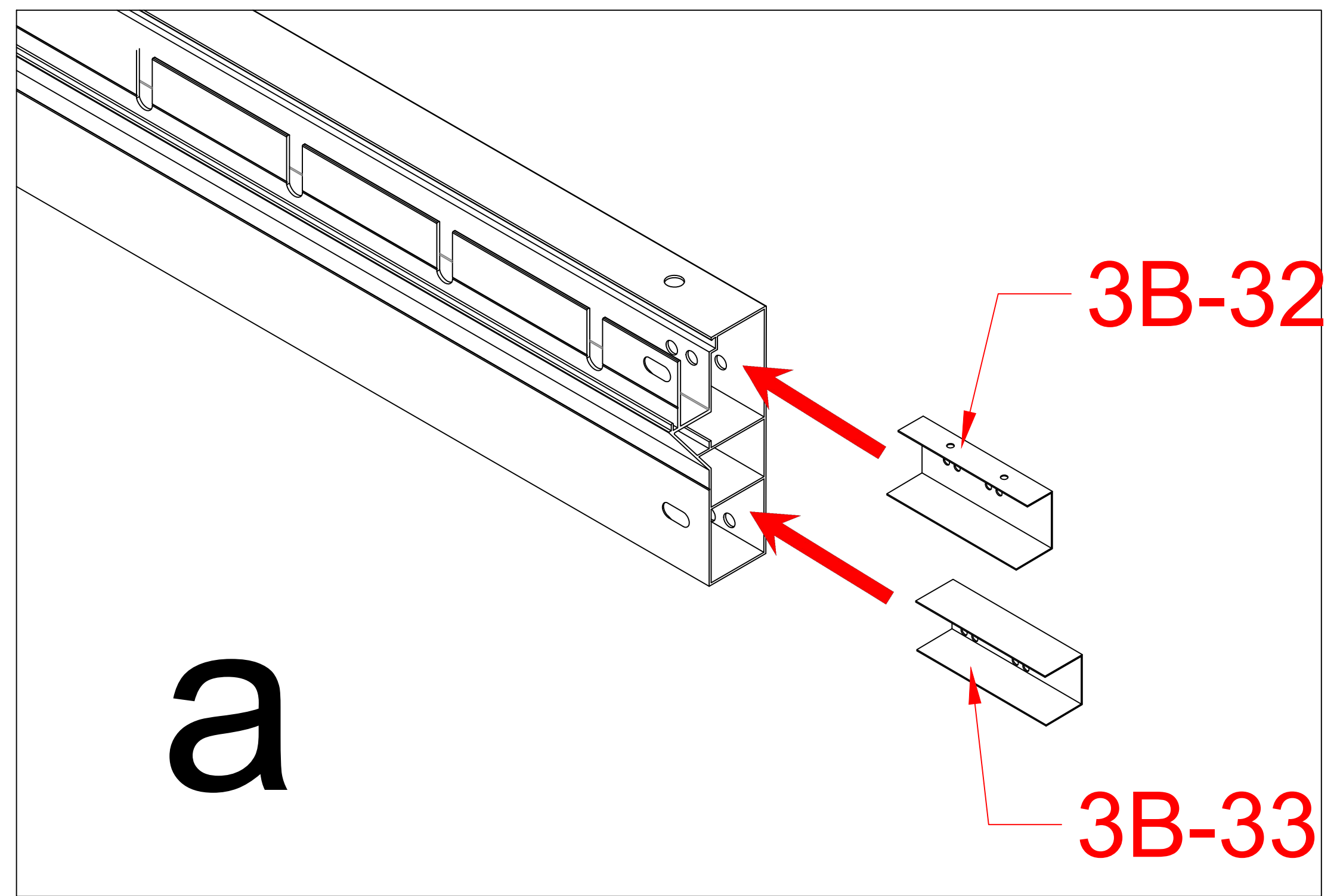
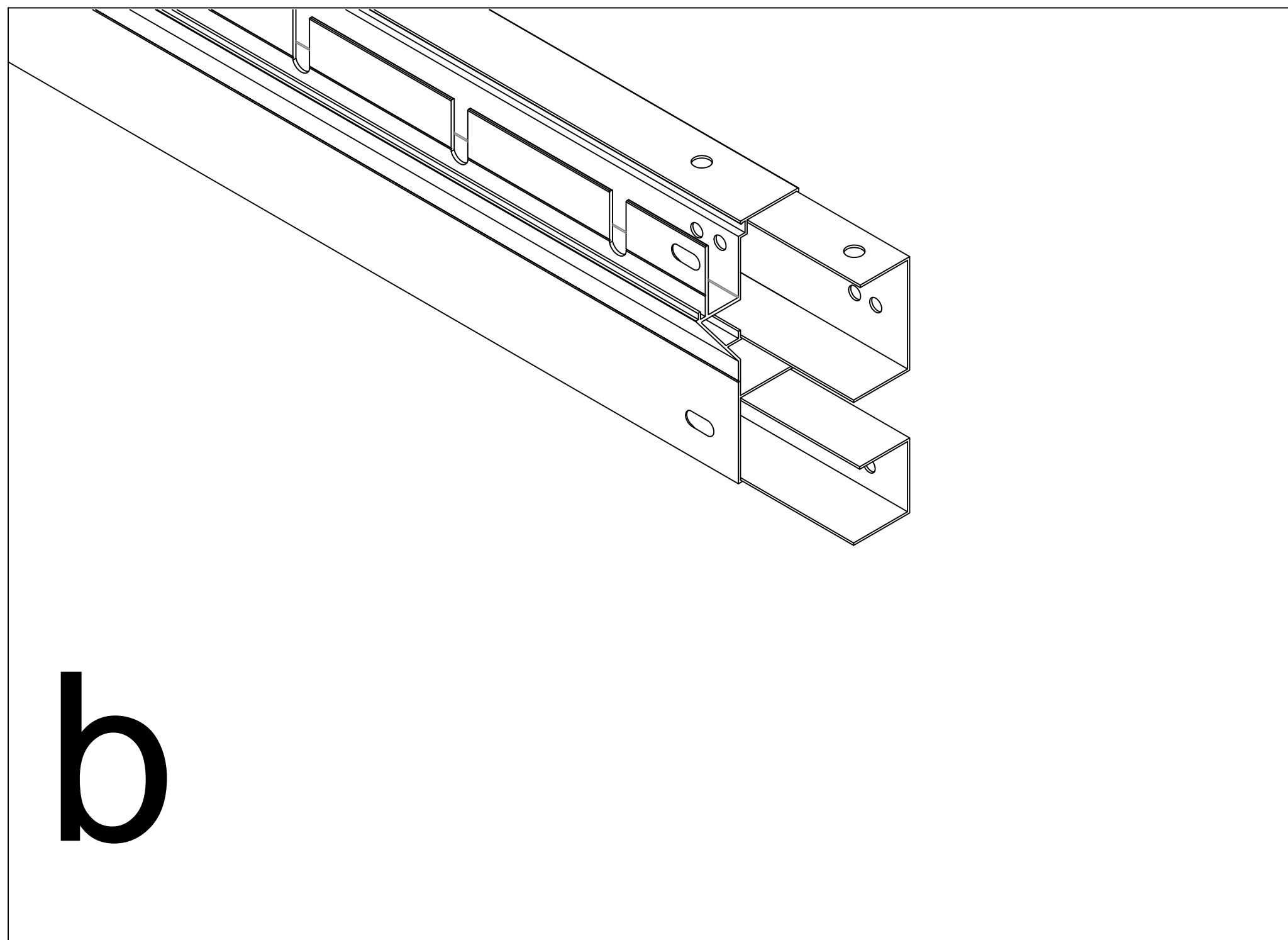
3B-34		2
3B-39		8



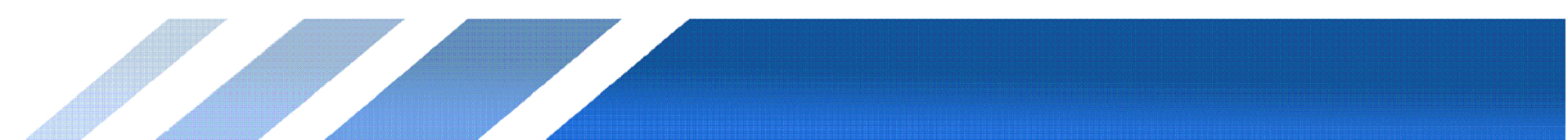


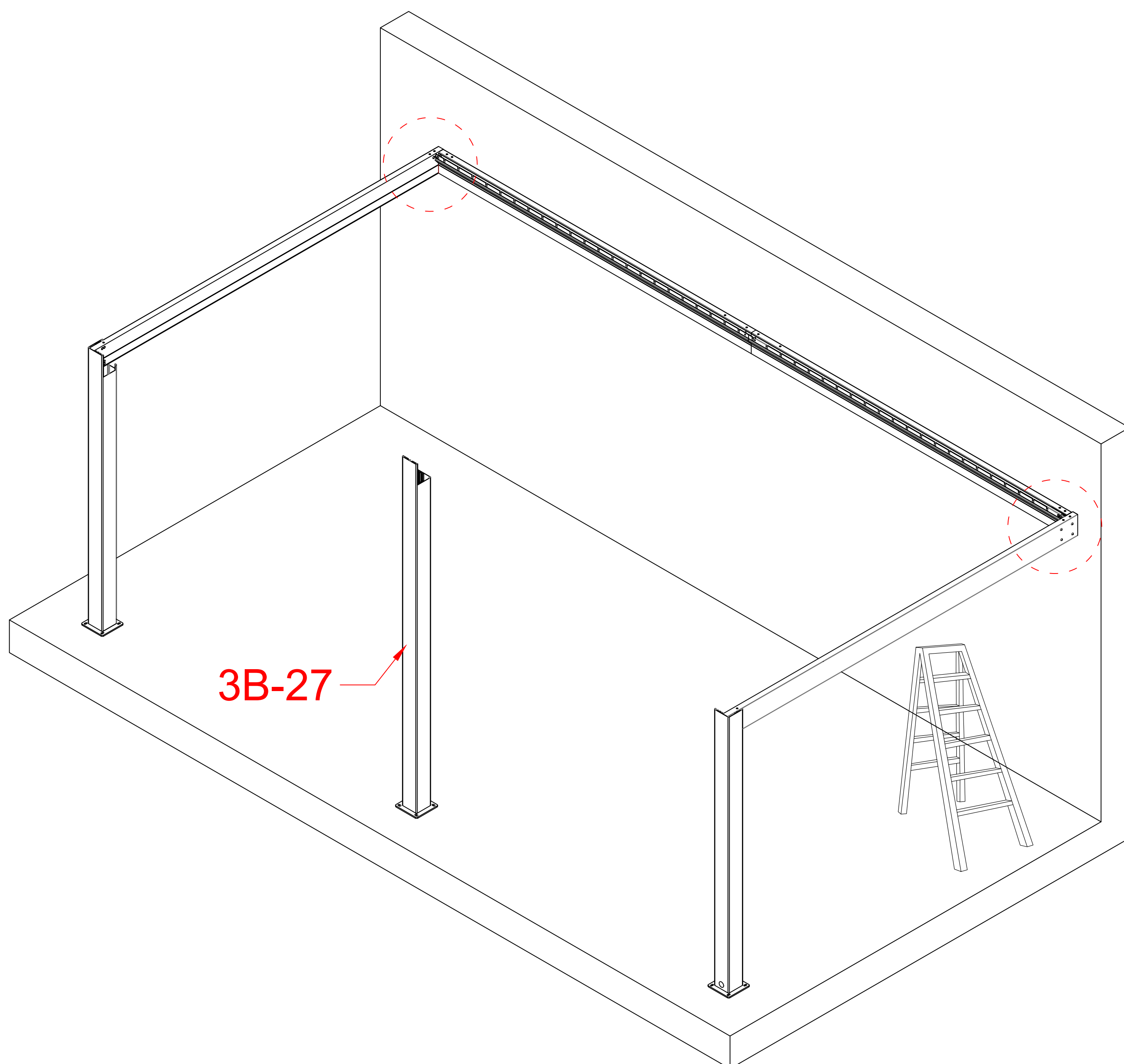
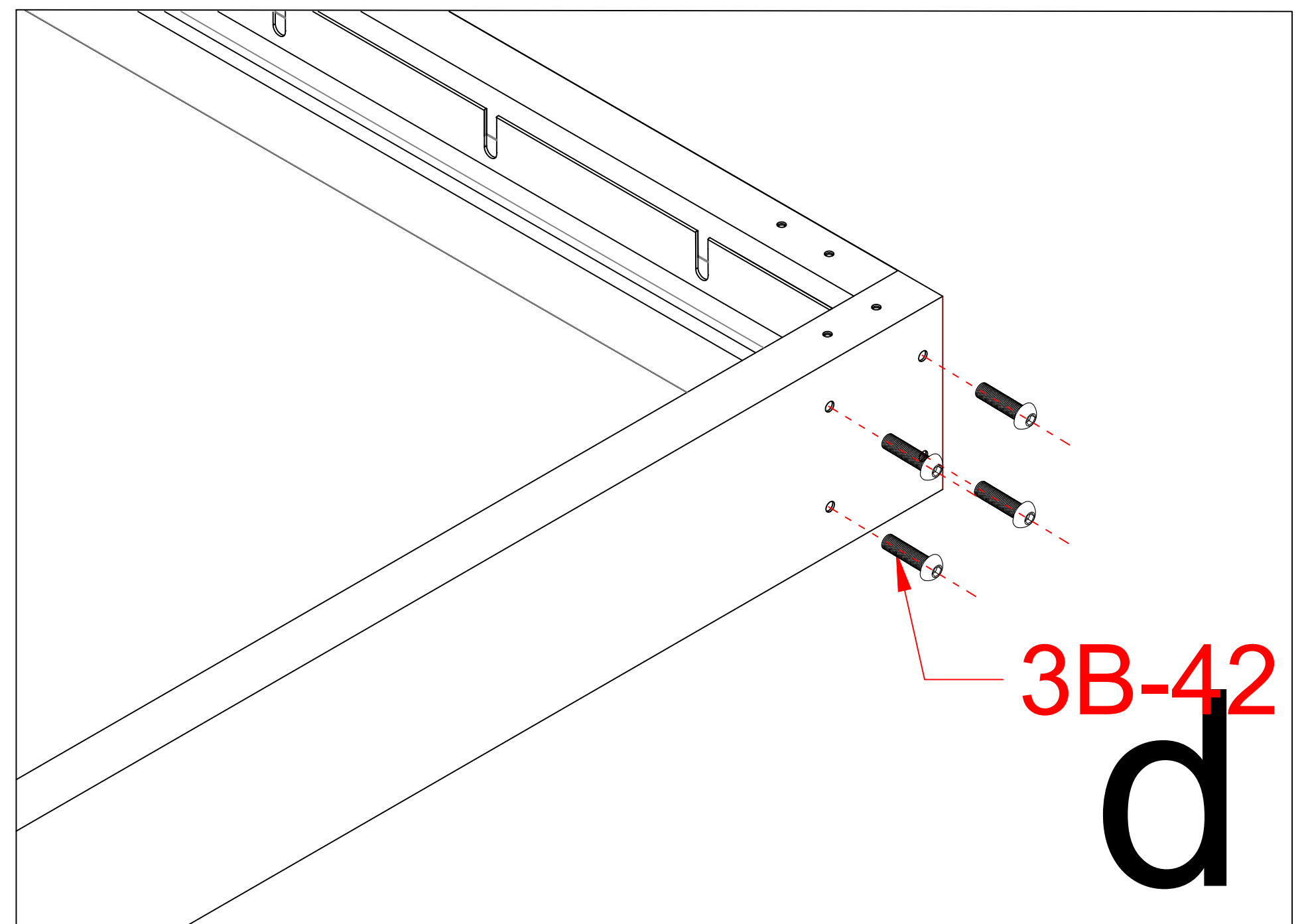
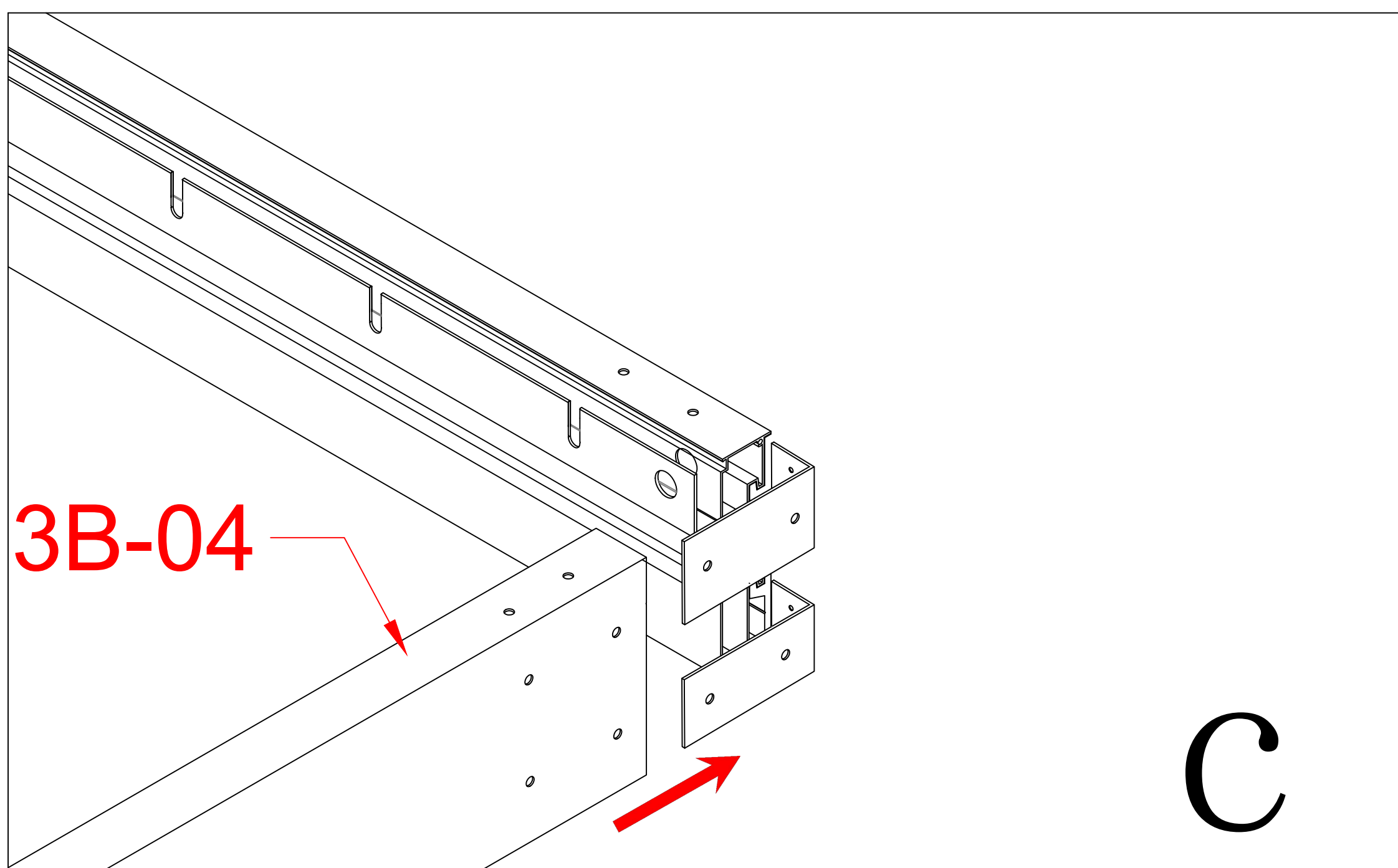
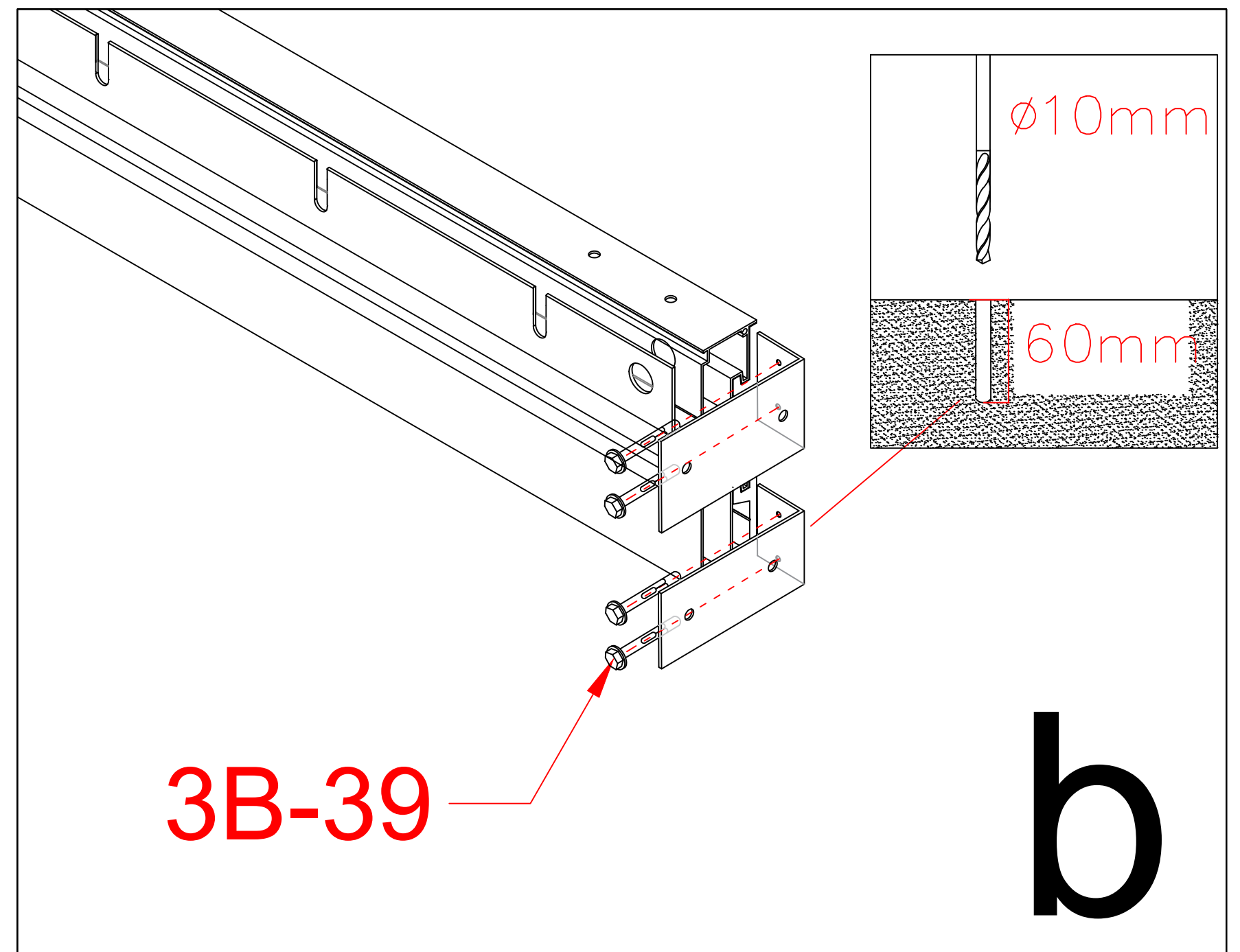
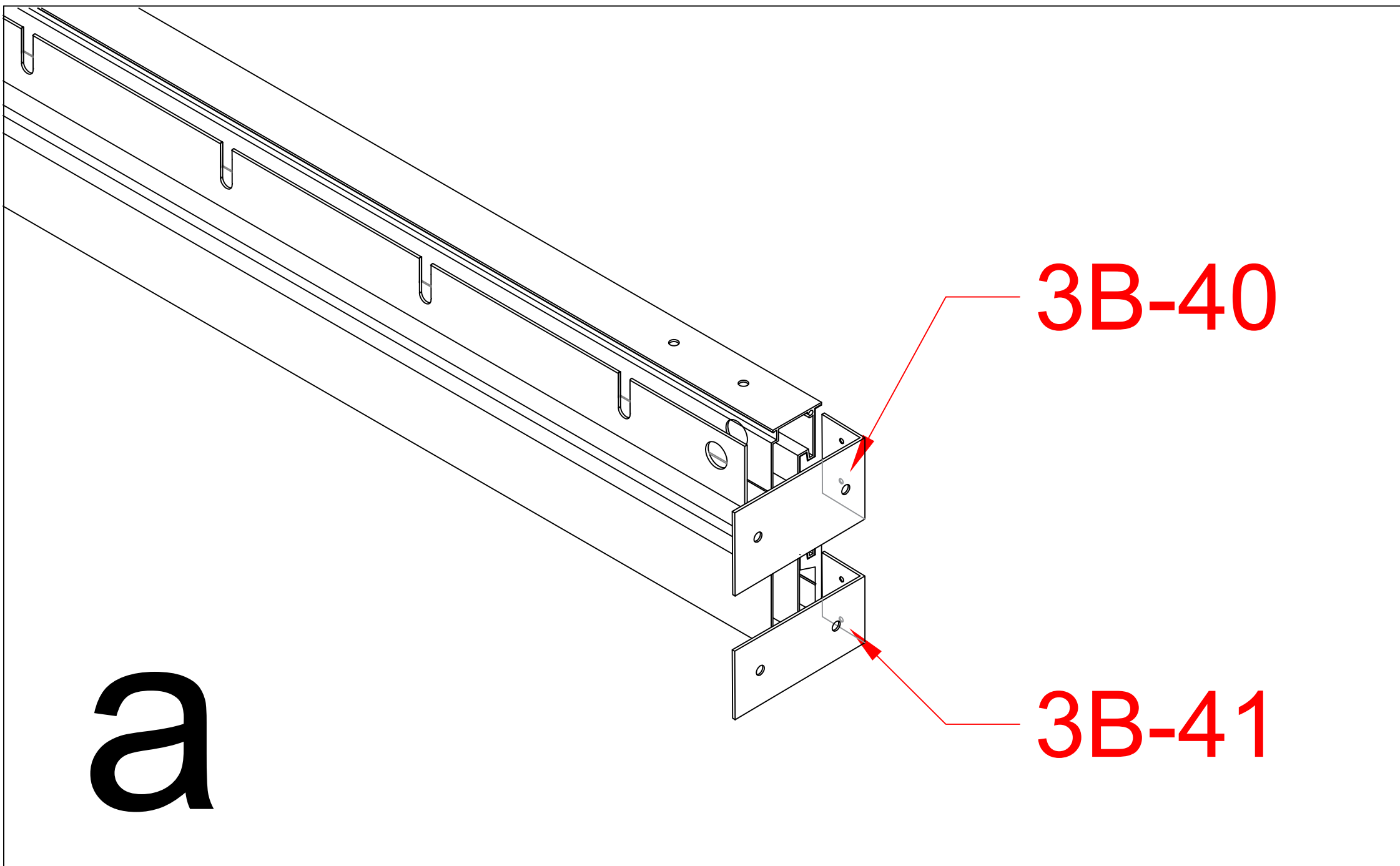
3B-36		8
3B-38		4
3B-02		1

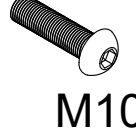
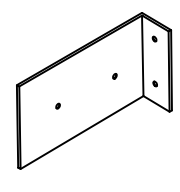
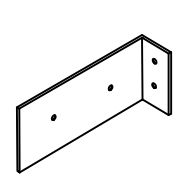
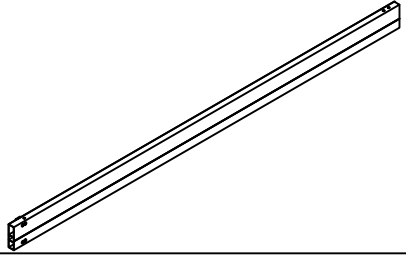
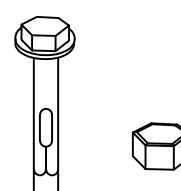


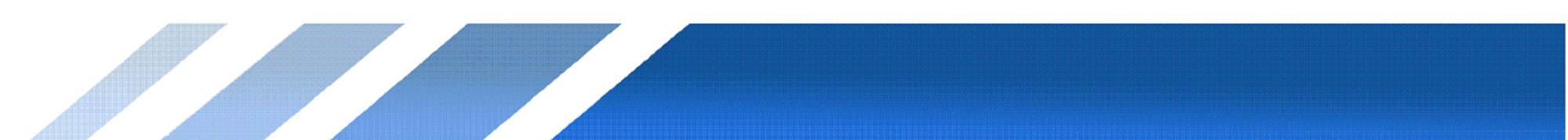


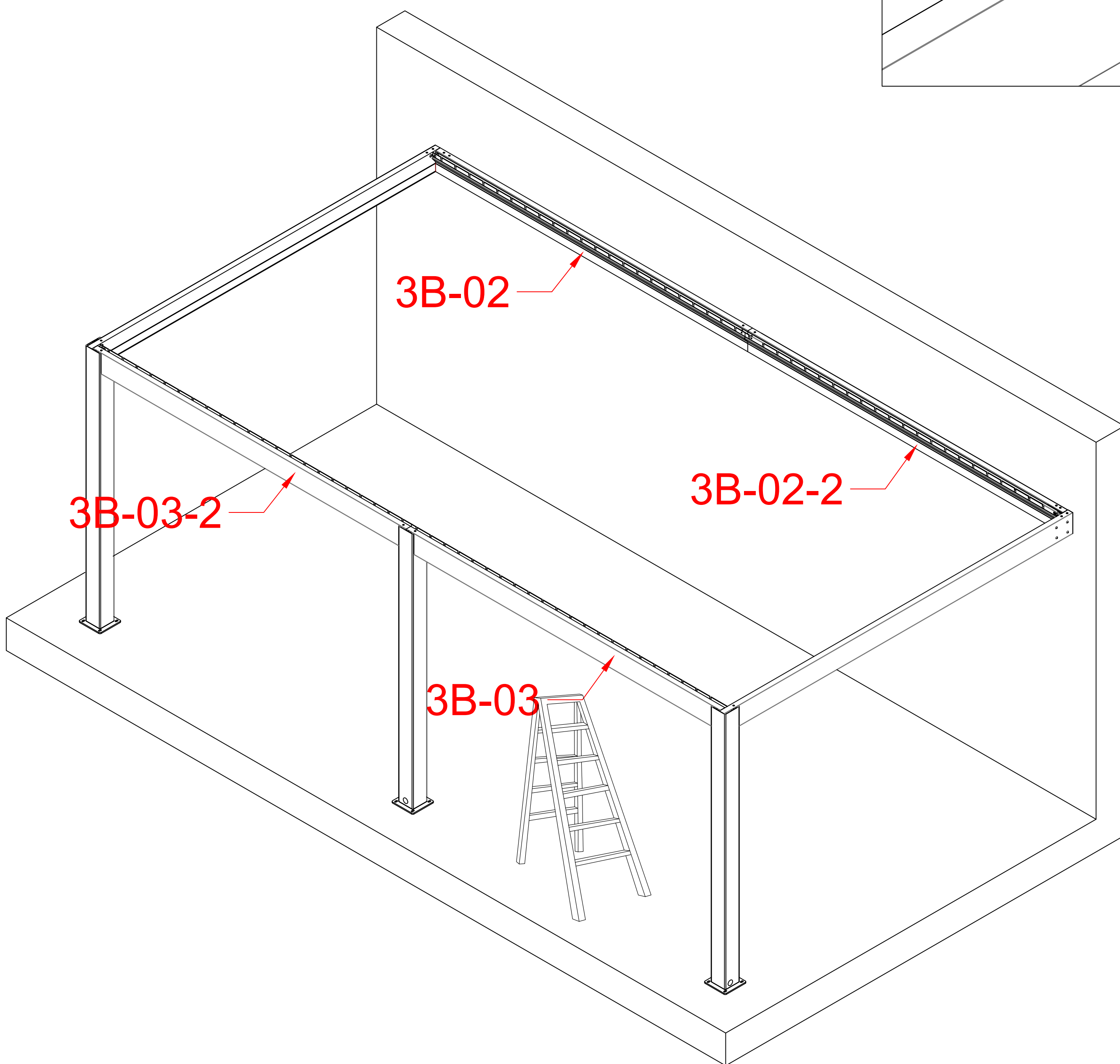
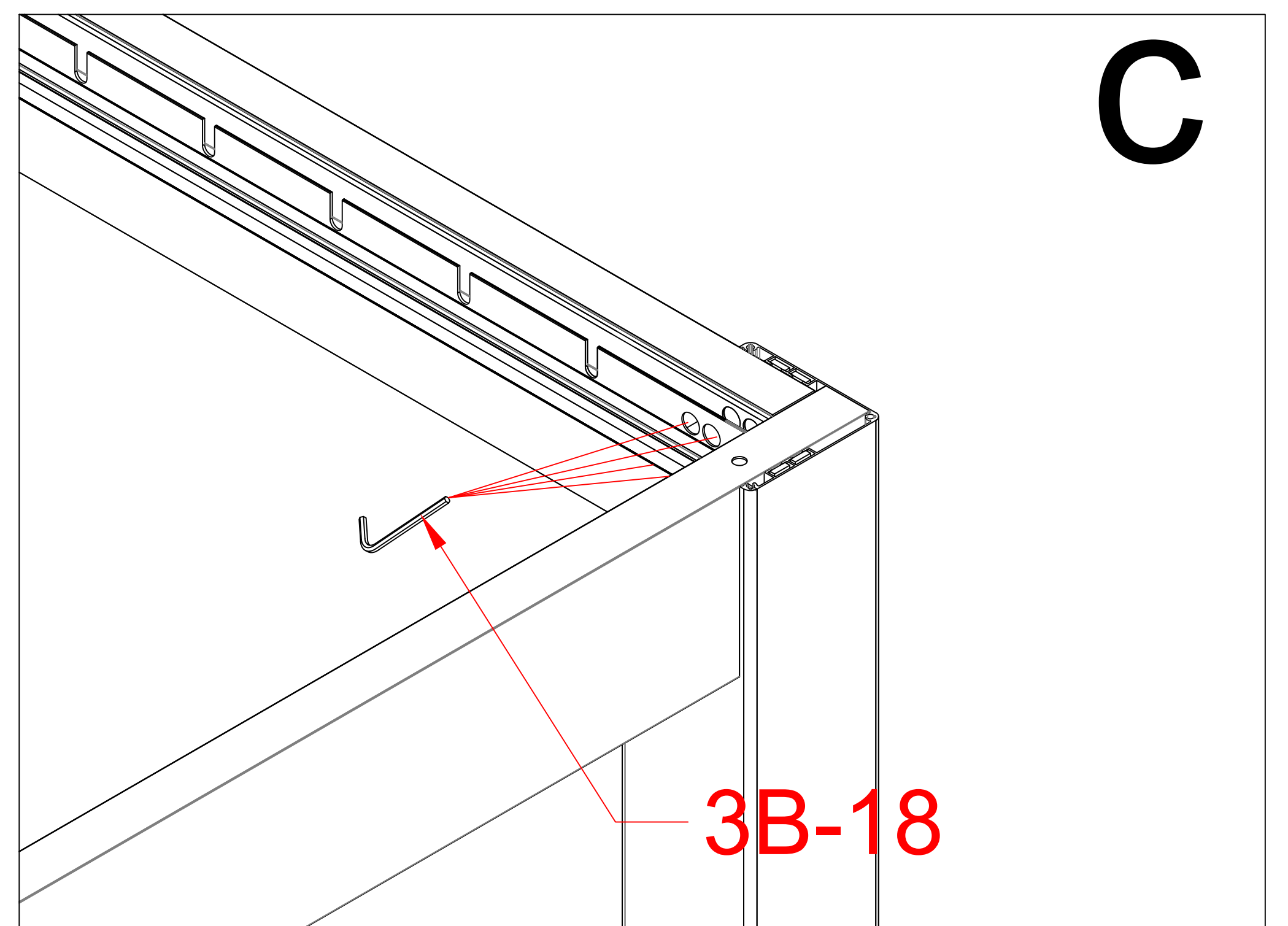
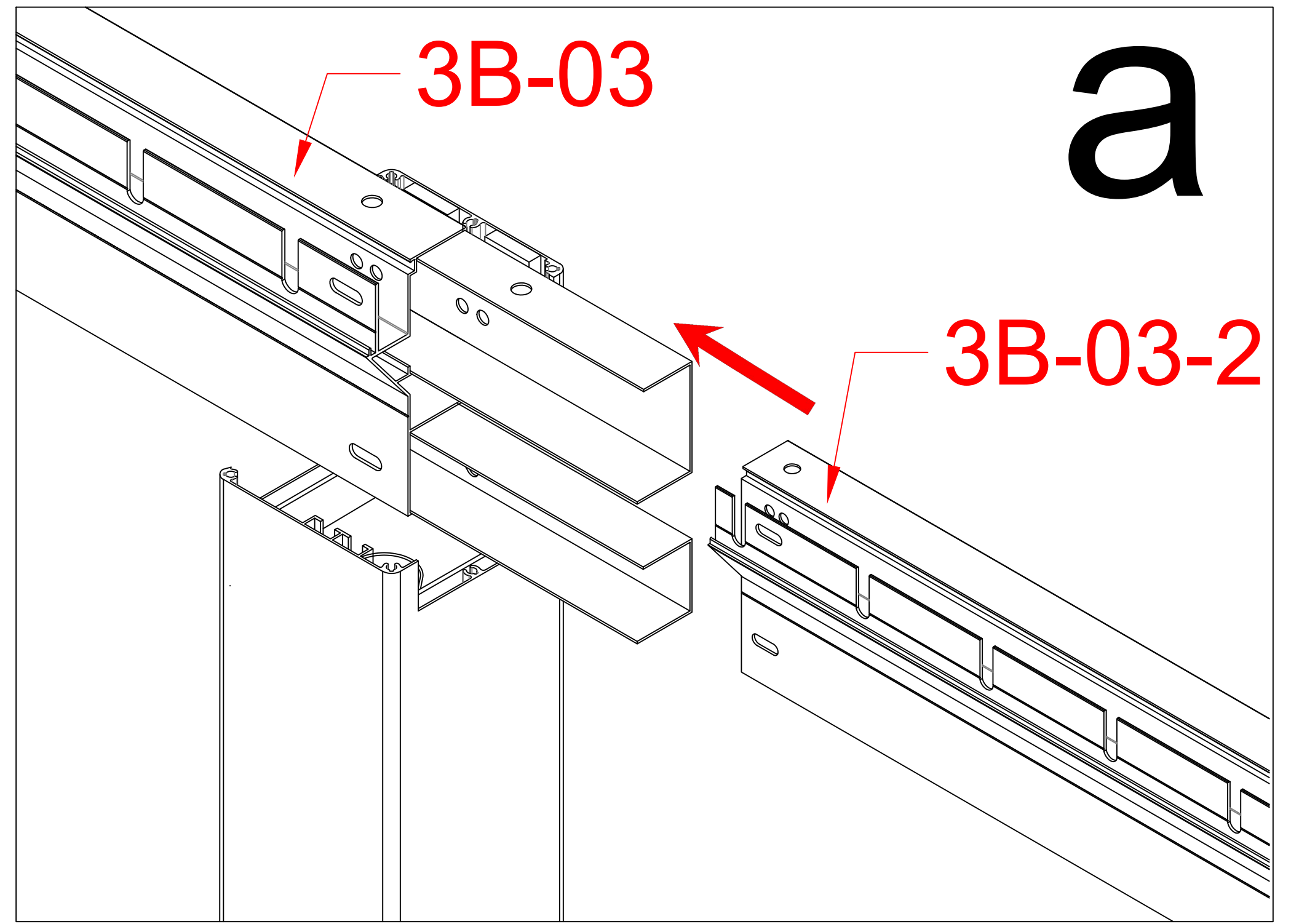
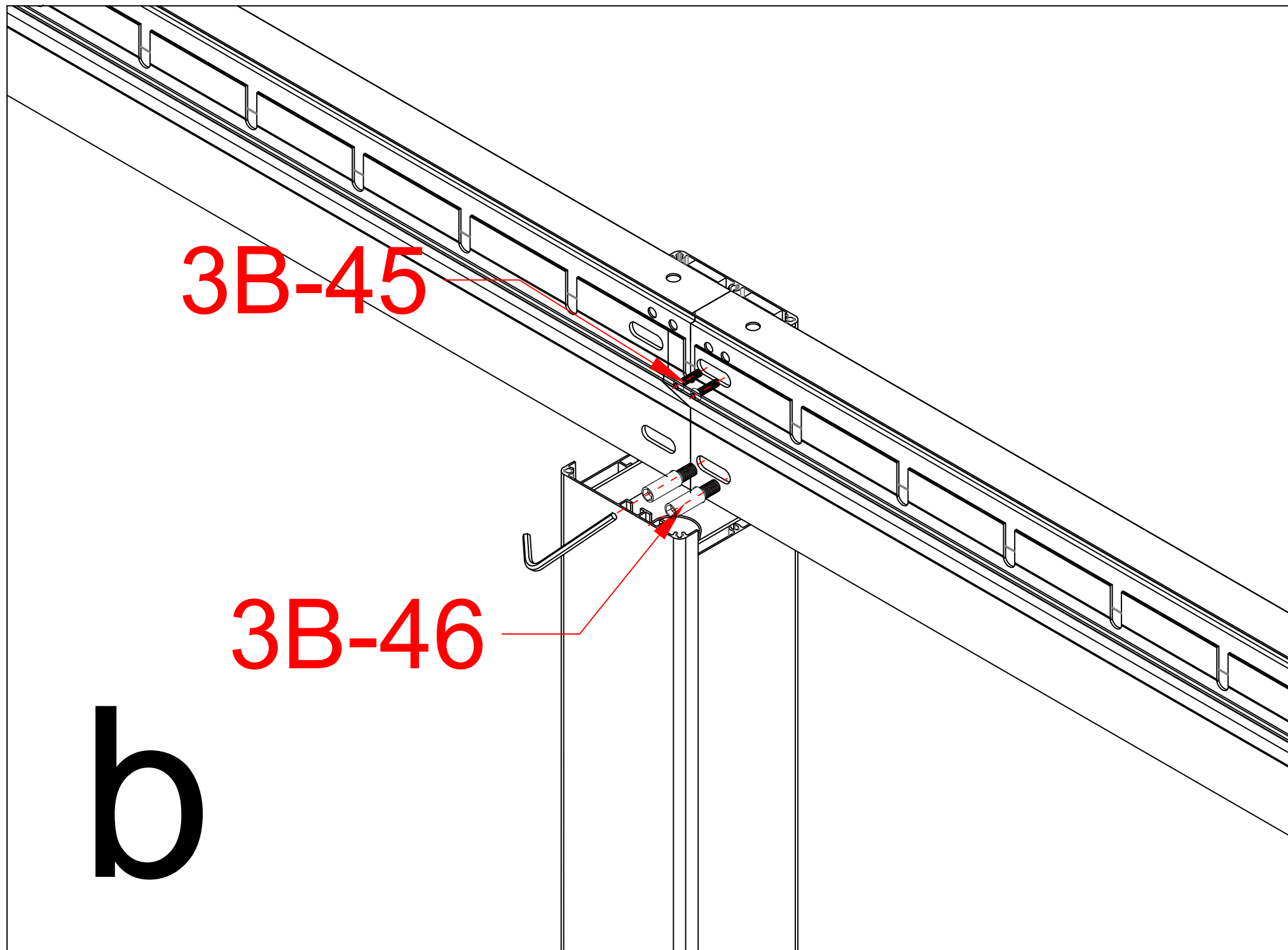
3B-38		4
3B-36		10
3B-32		1
3B-33		1
3B-02-2		1



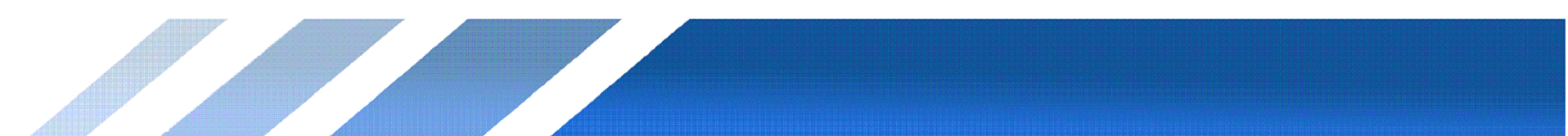


3B-42	 M10*20	8
3B-40		2
3B-41		2
3B-04		2
3B-39		8





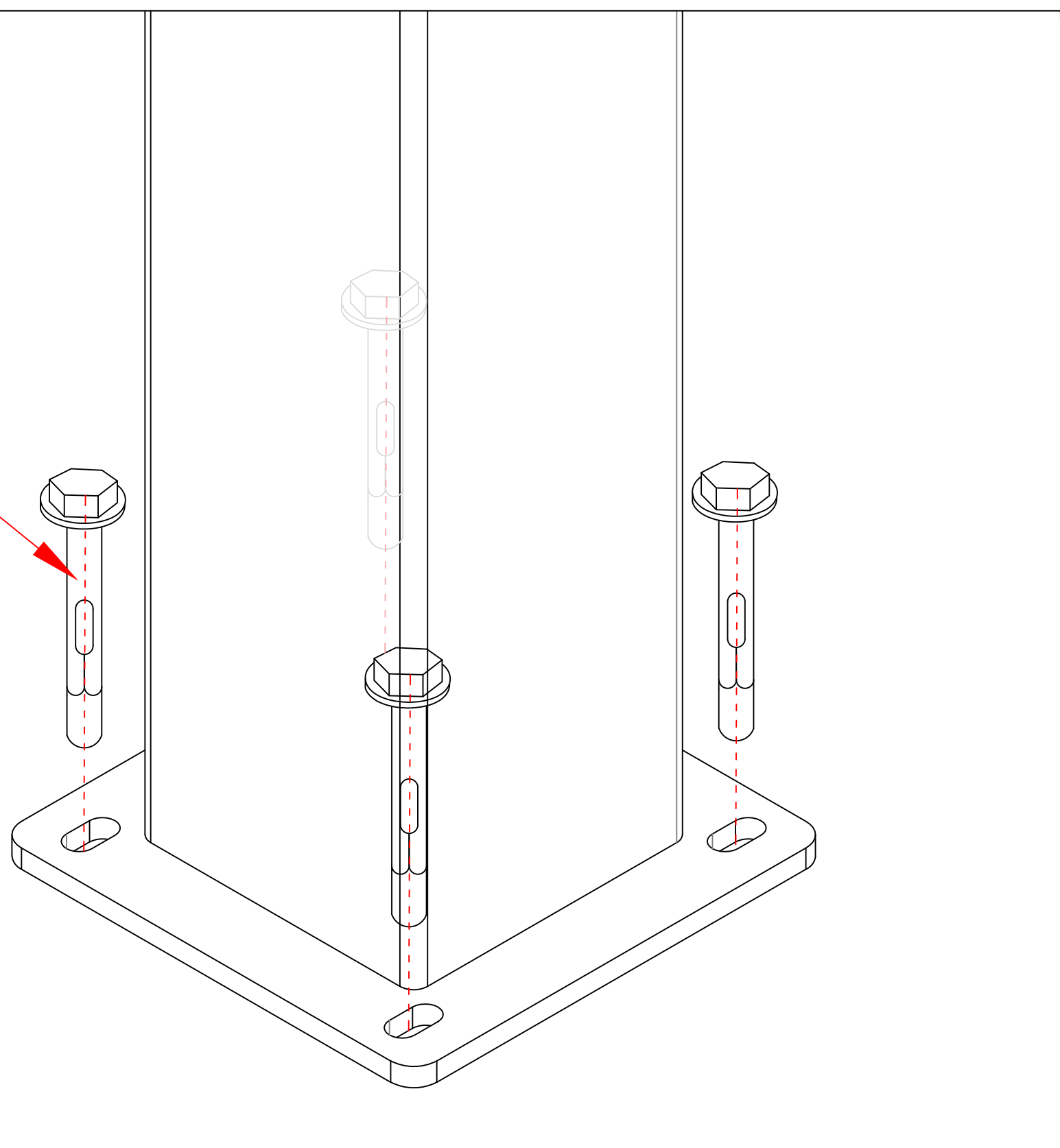
3B-46		4
3B-45		4
3B-32		1
3B-33		1
3B-03		1
3B-03-2		1
3B-18		1





a

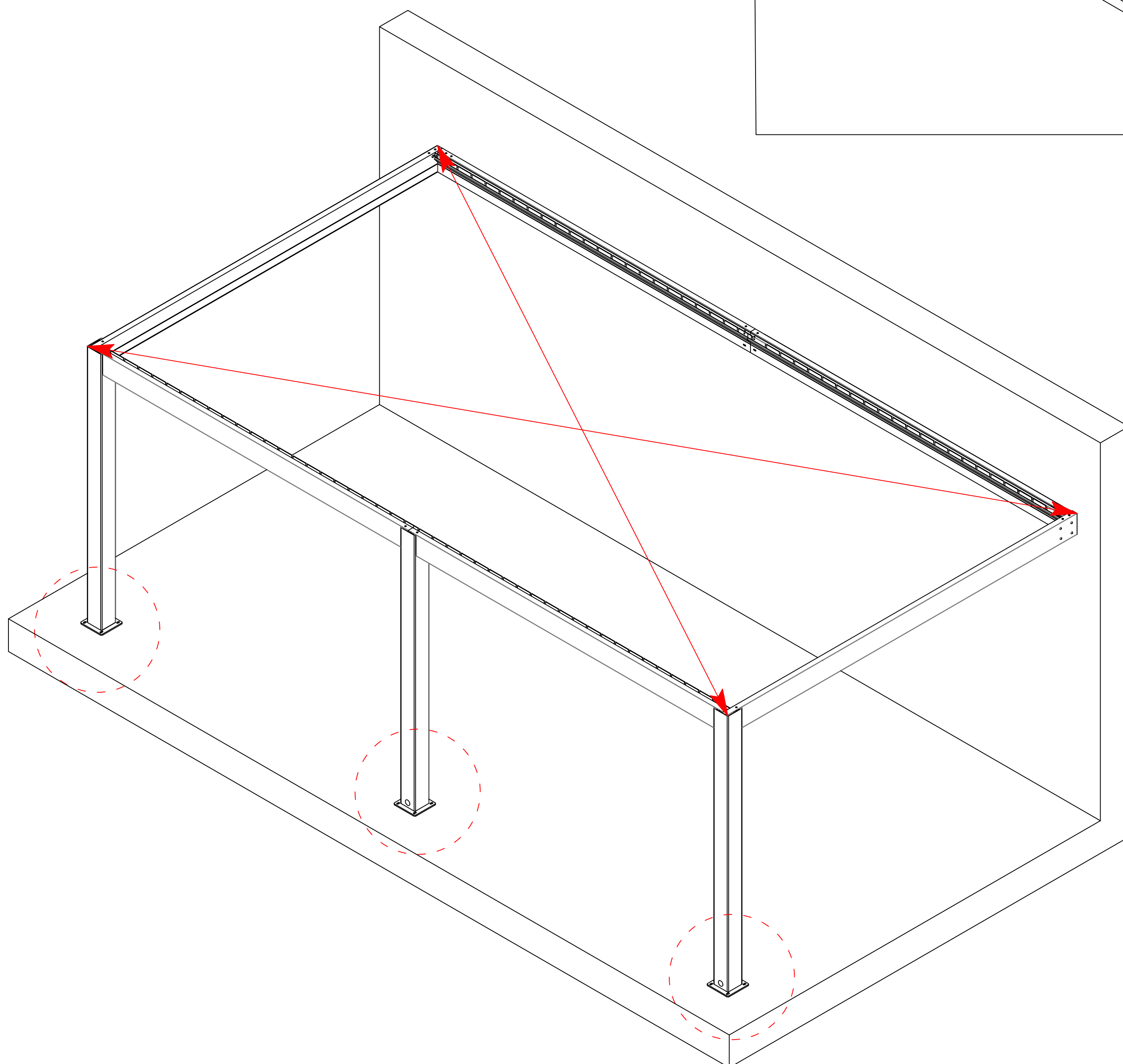
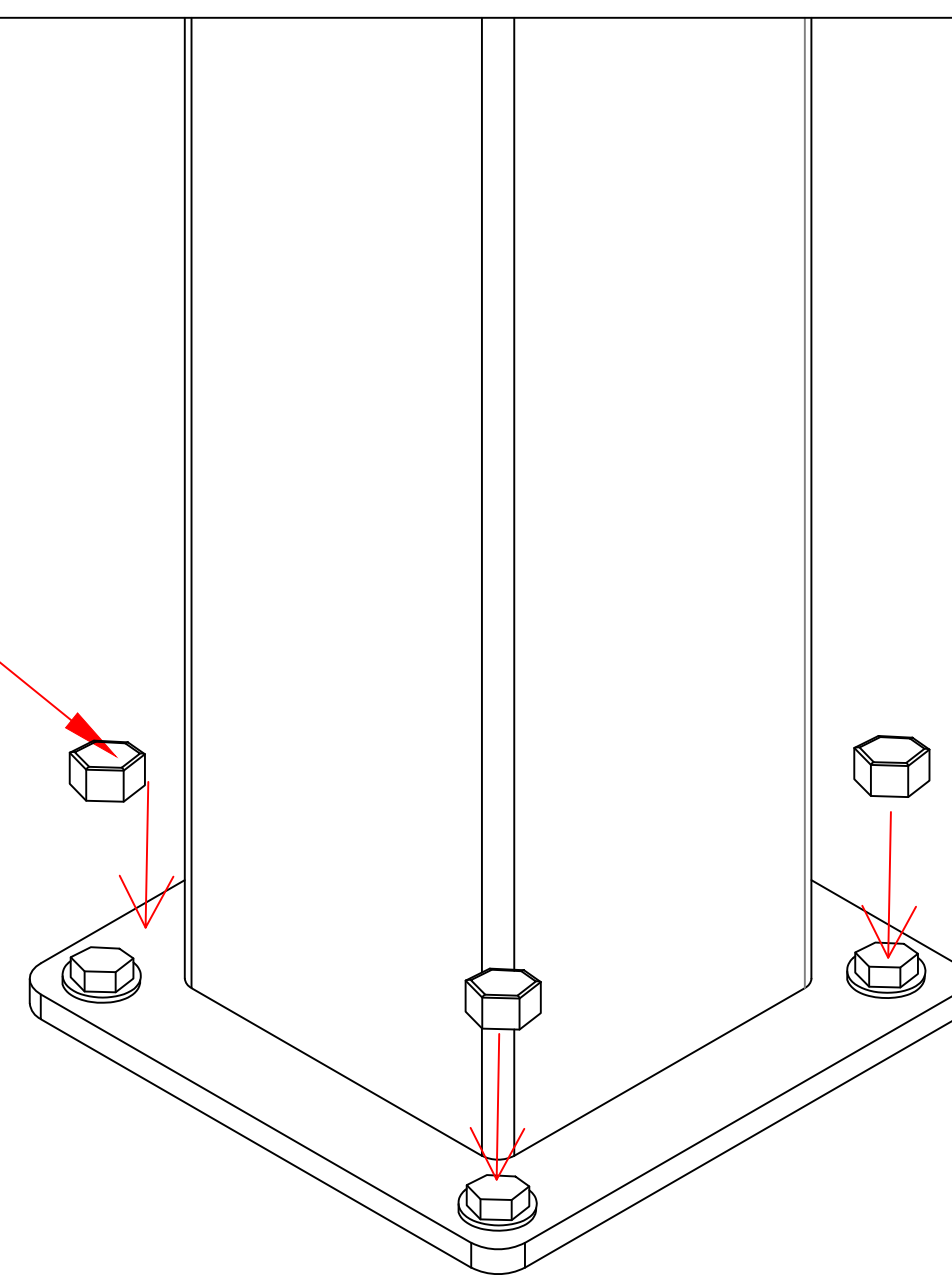
3B-21

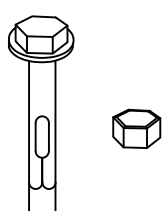


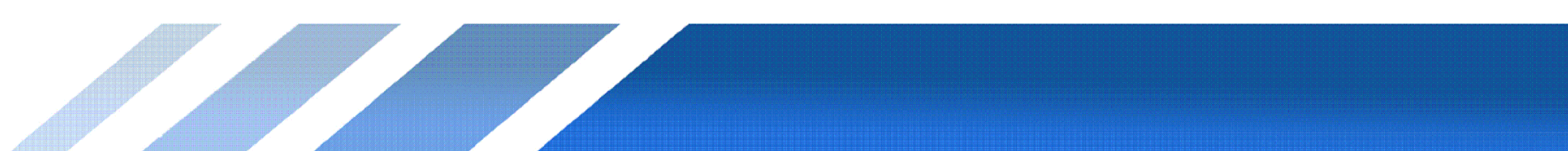
Pls measure the diagonal size and make sure the diagonal size keeps same before screw 3B-21 mounted. If not, pls adjust it to same size.

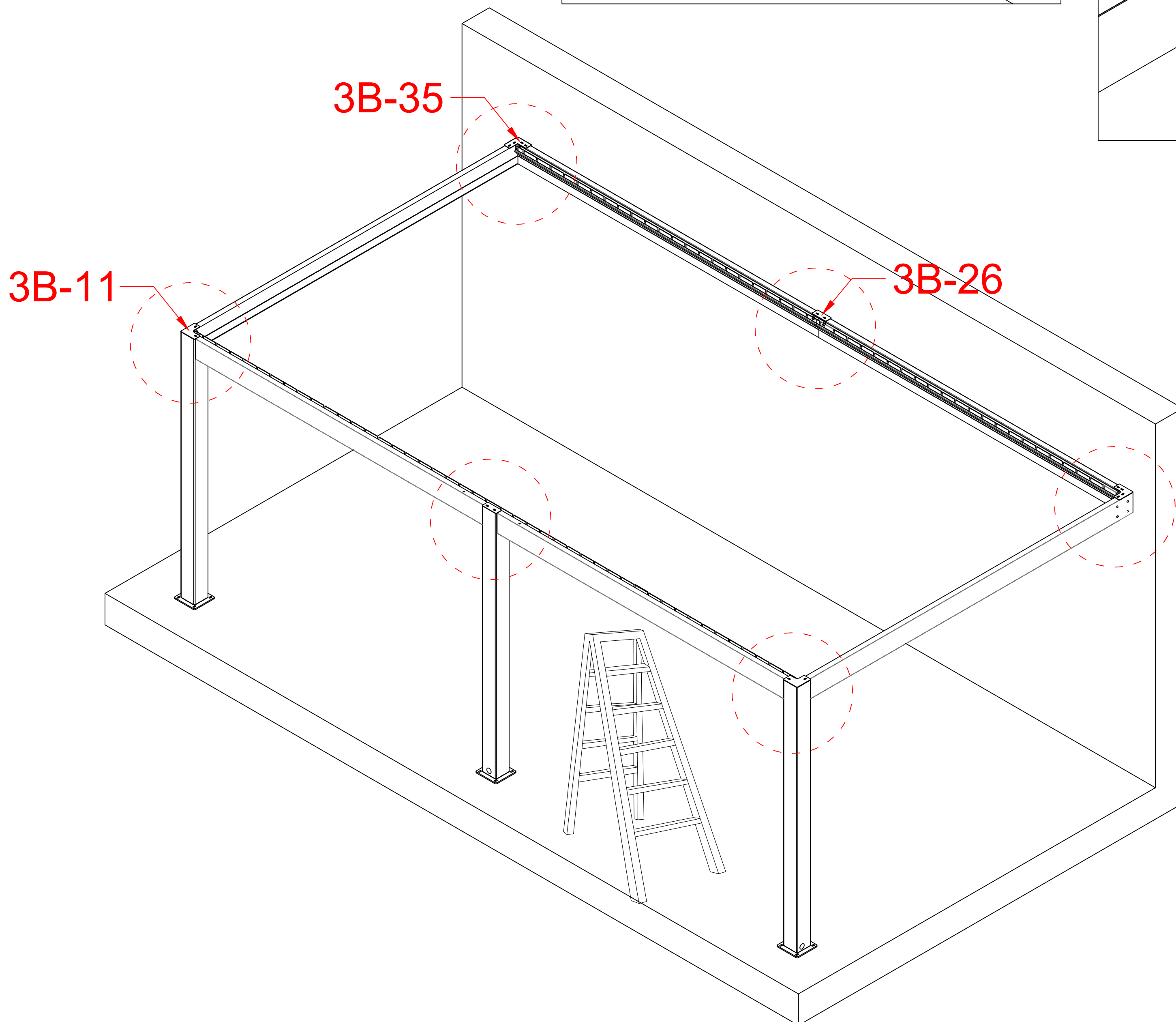
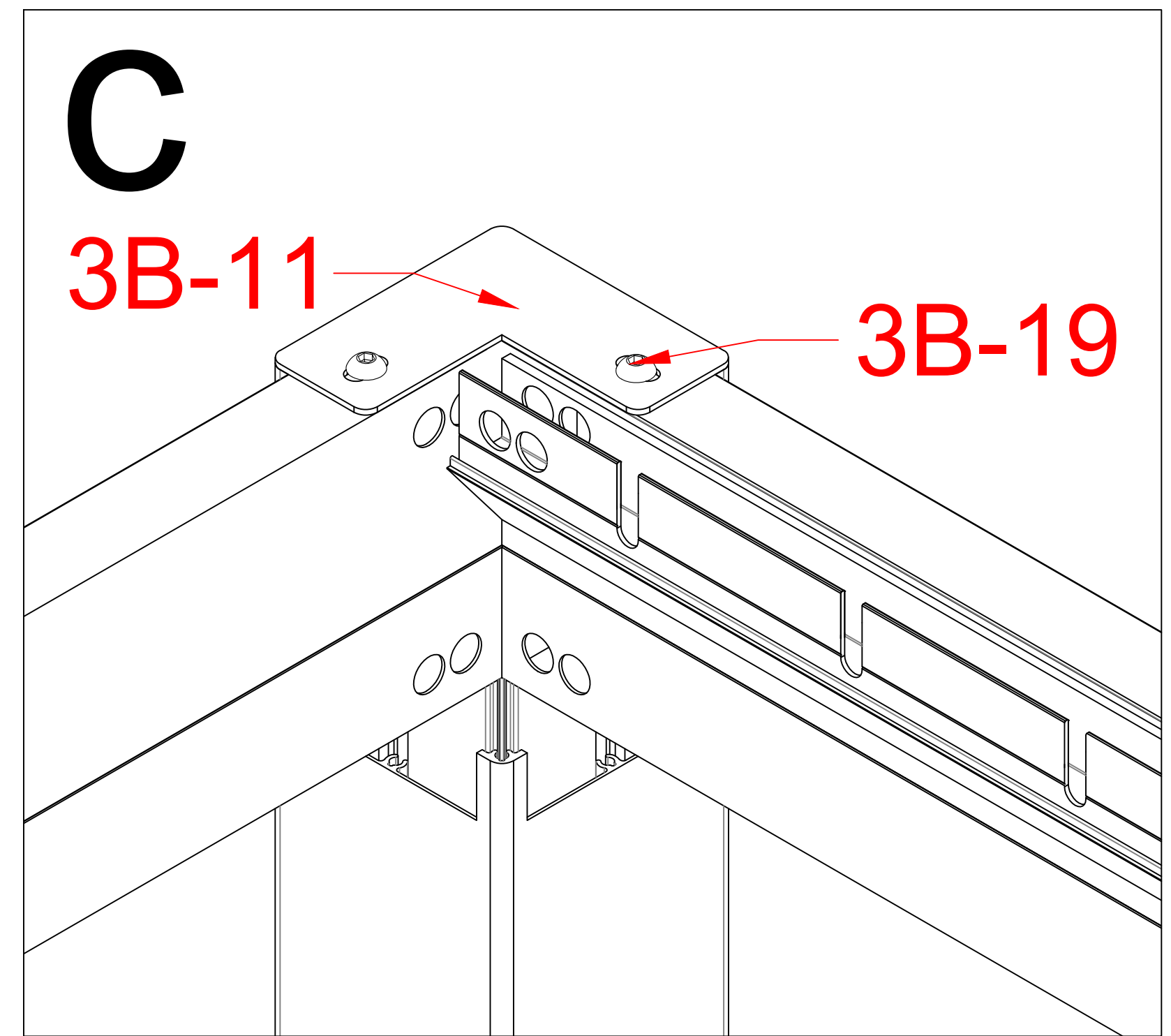
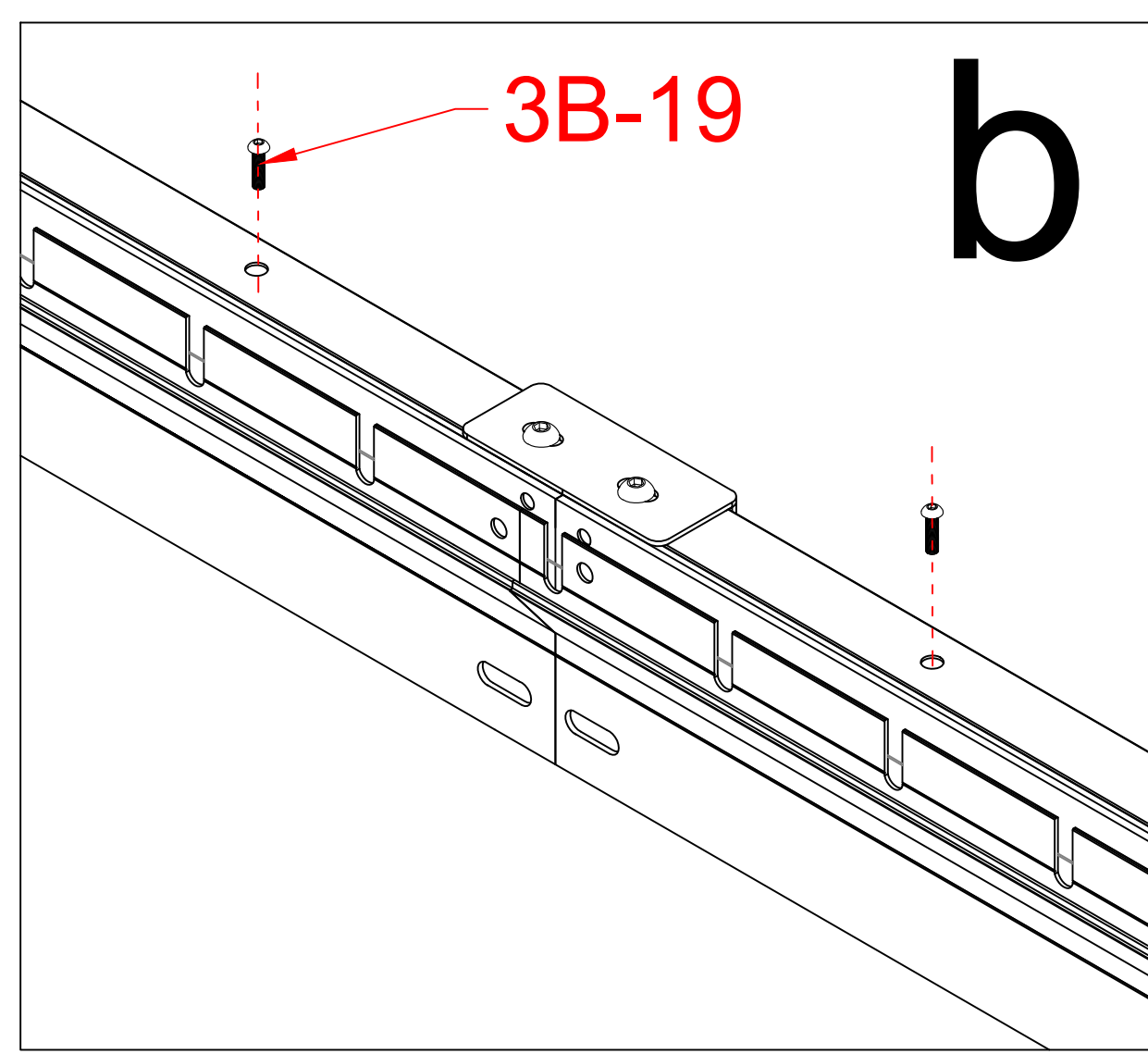
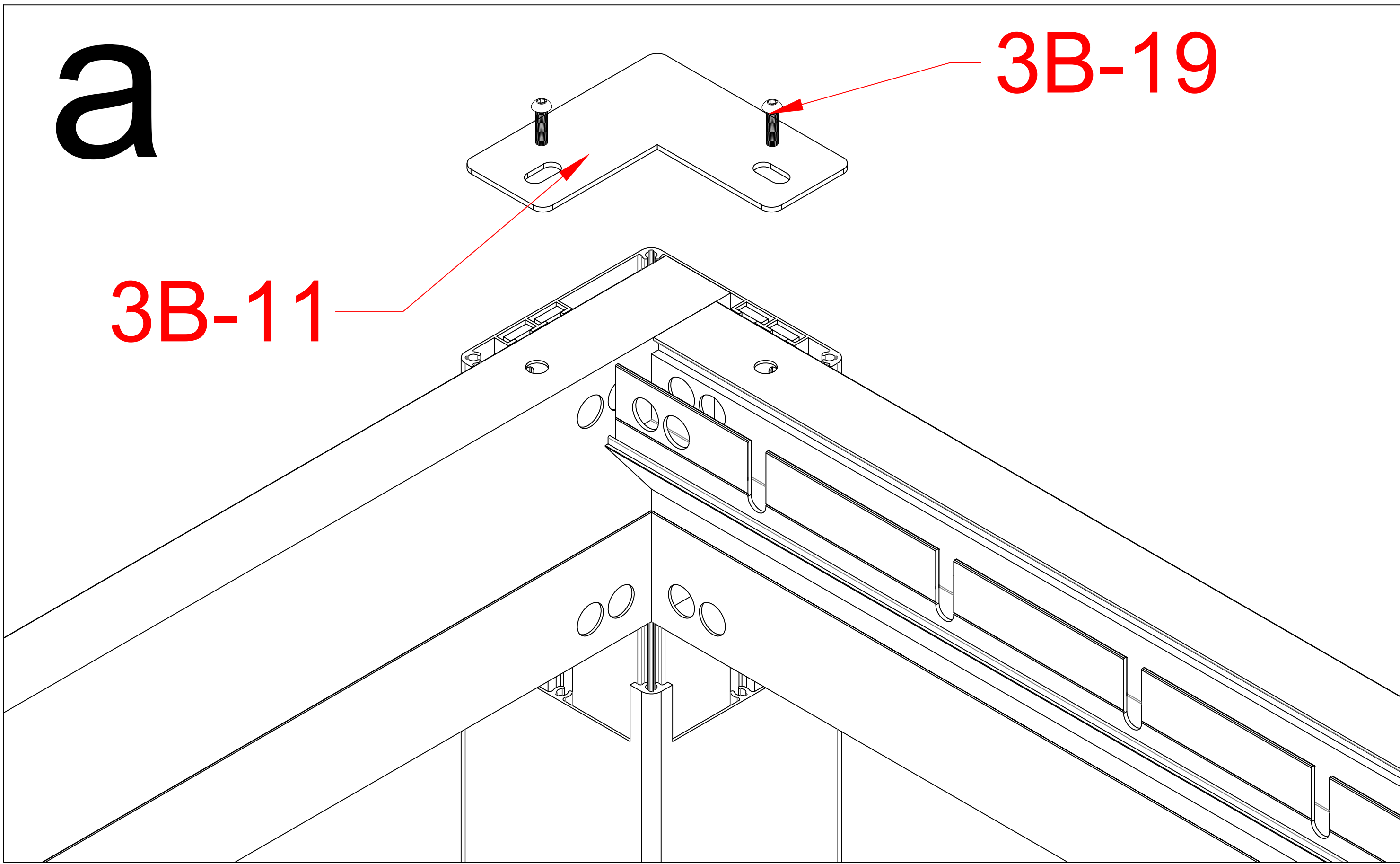
b

1B-21

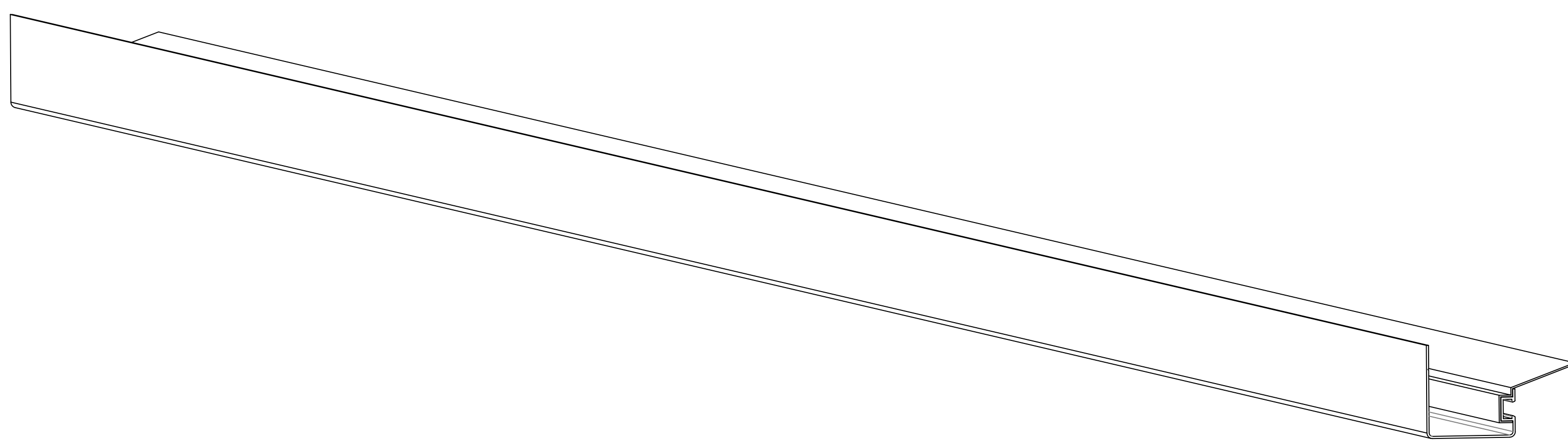
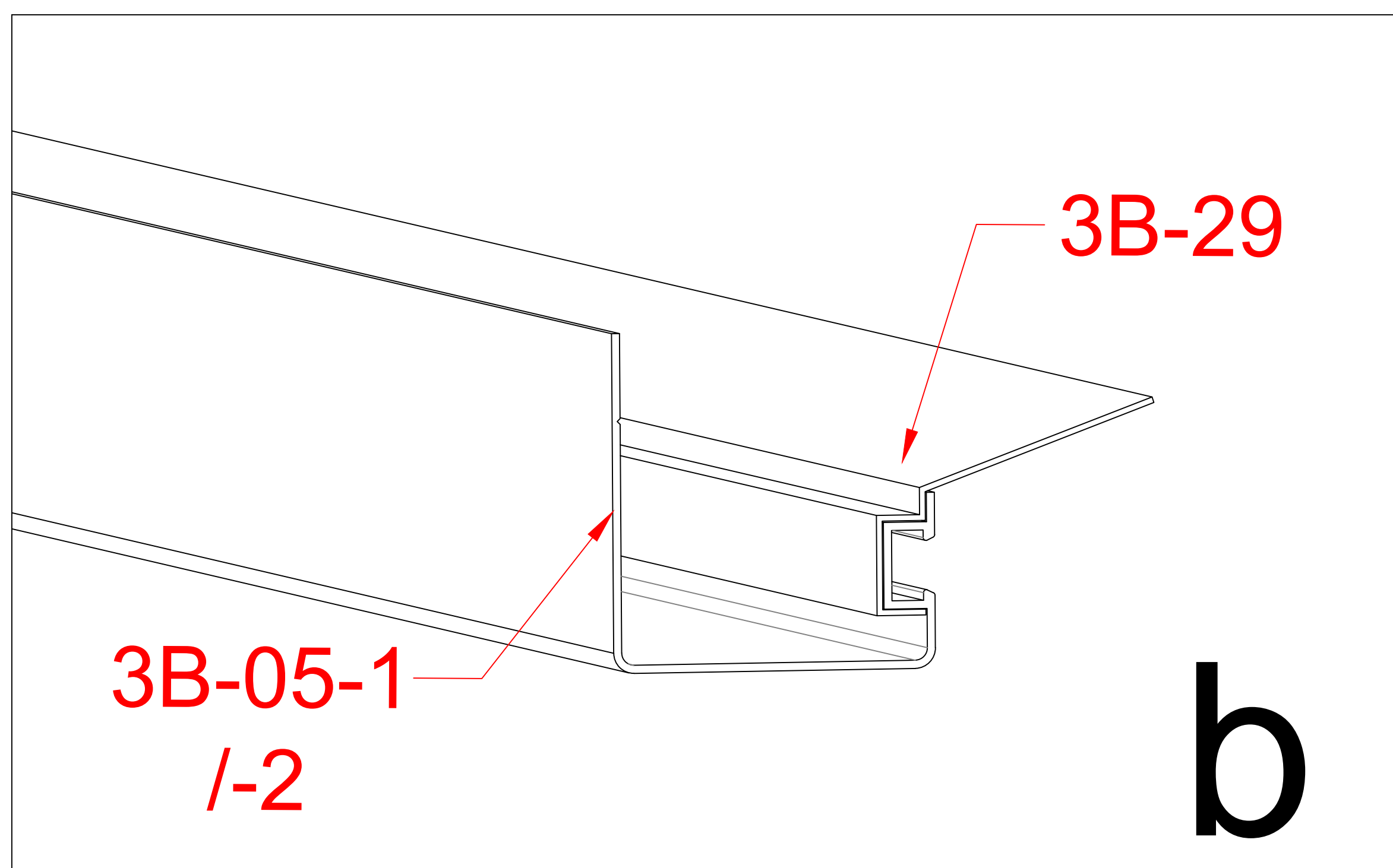
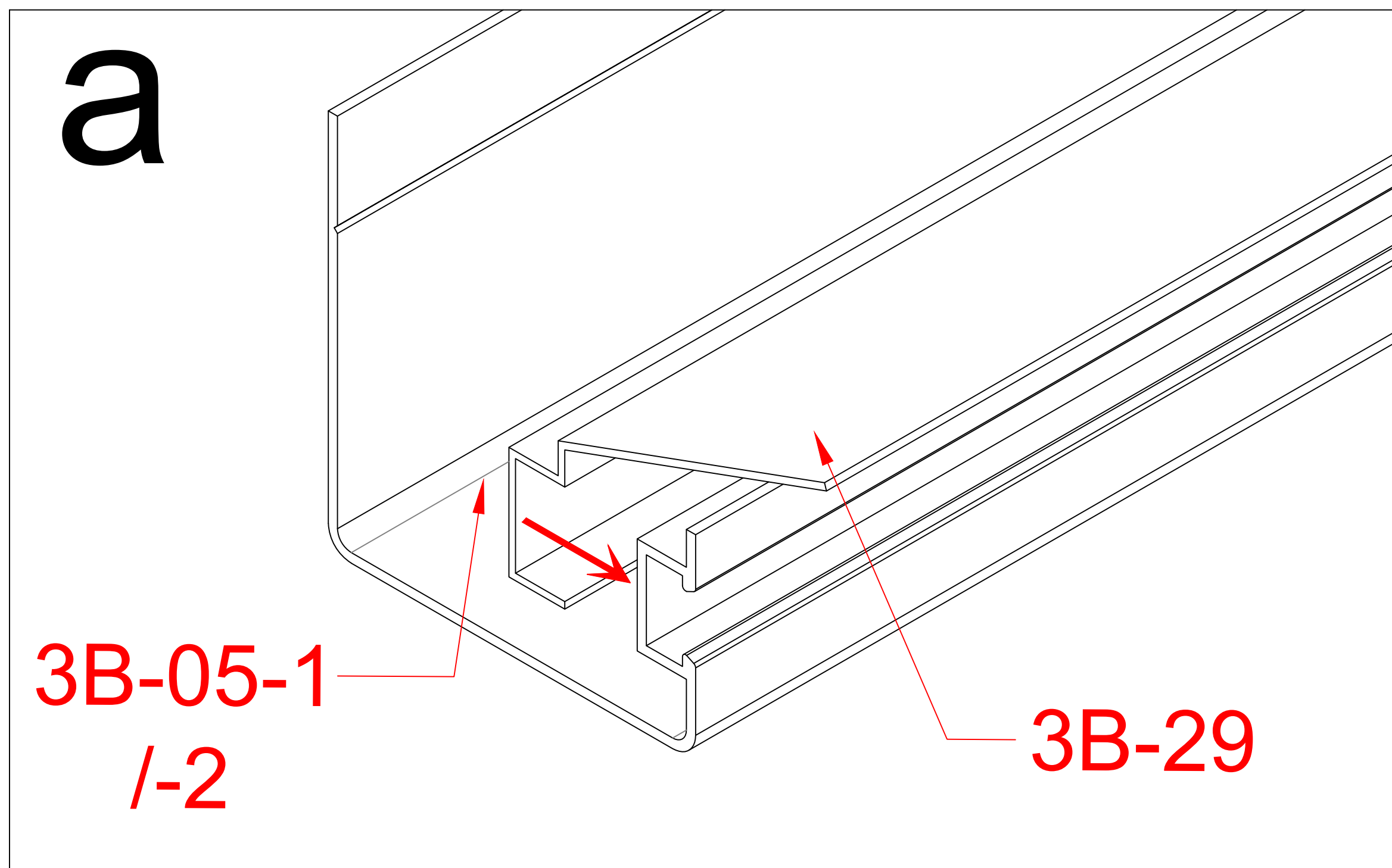


3B-21		12
-------	---	----

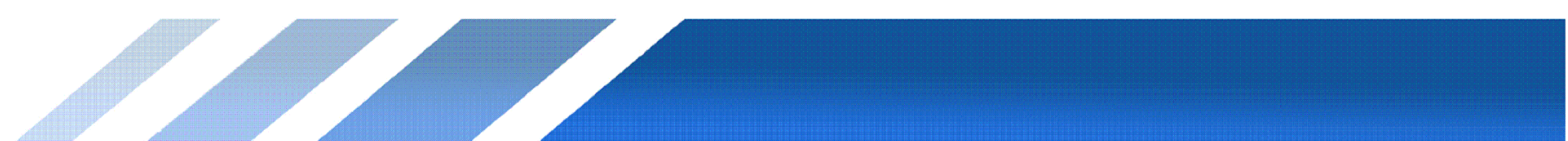


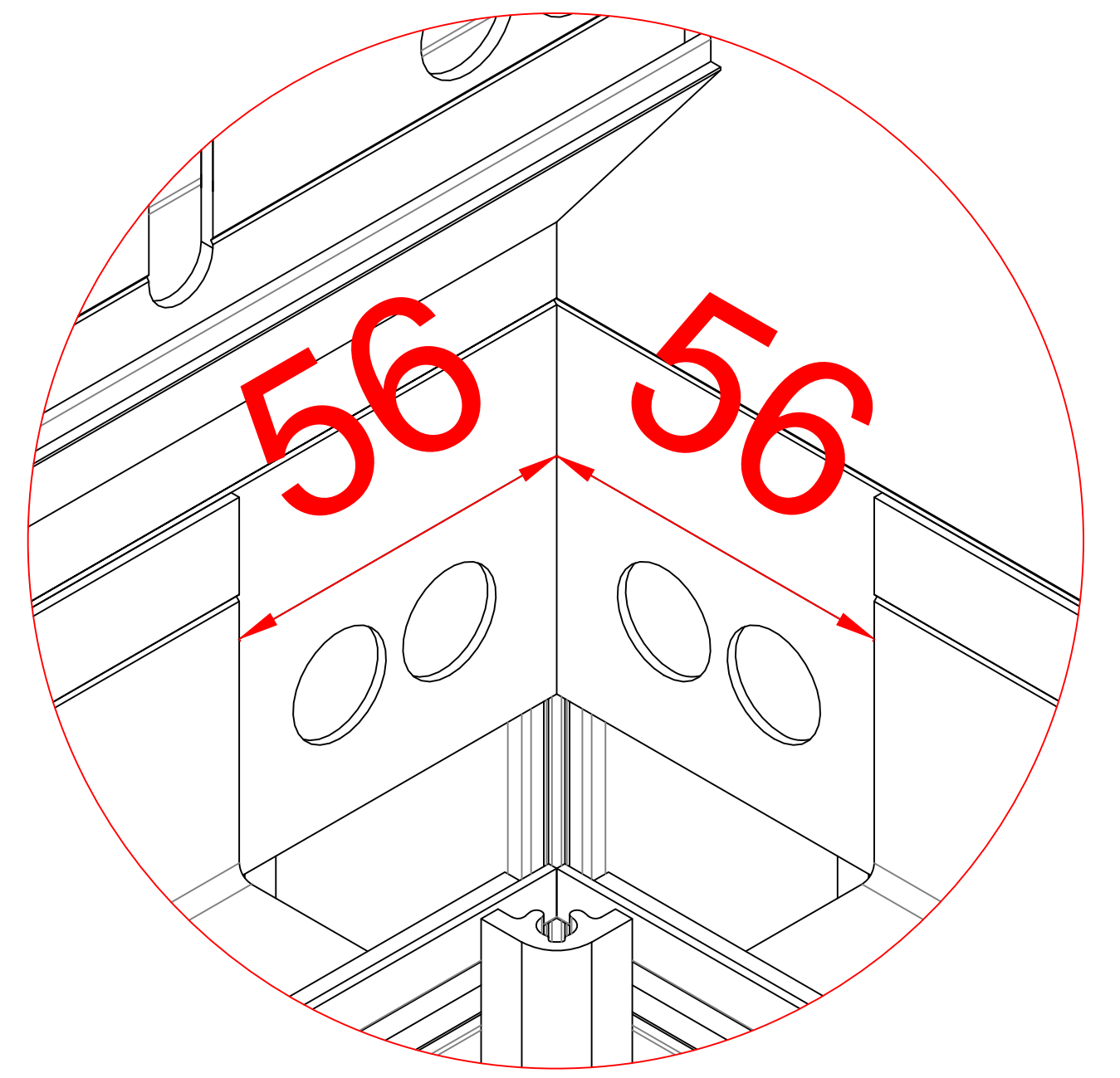
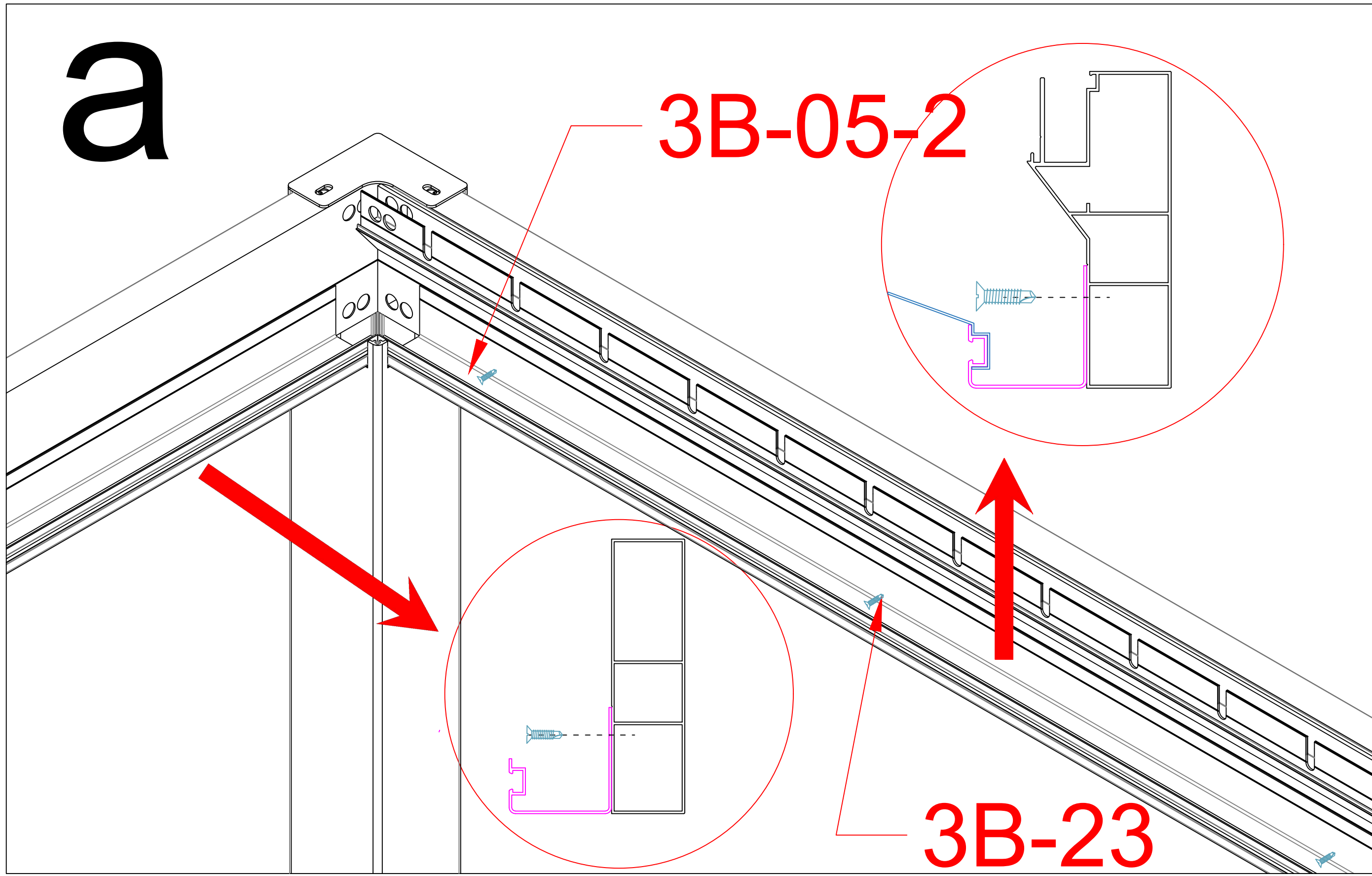


3B-35		2
3B-26		2
3B-11		2
3B-19		18

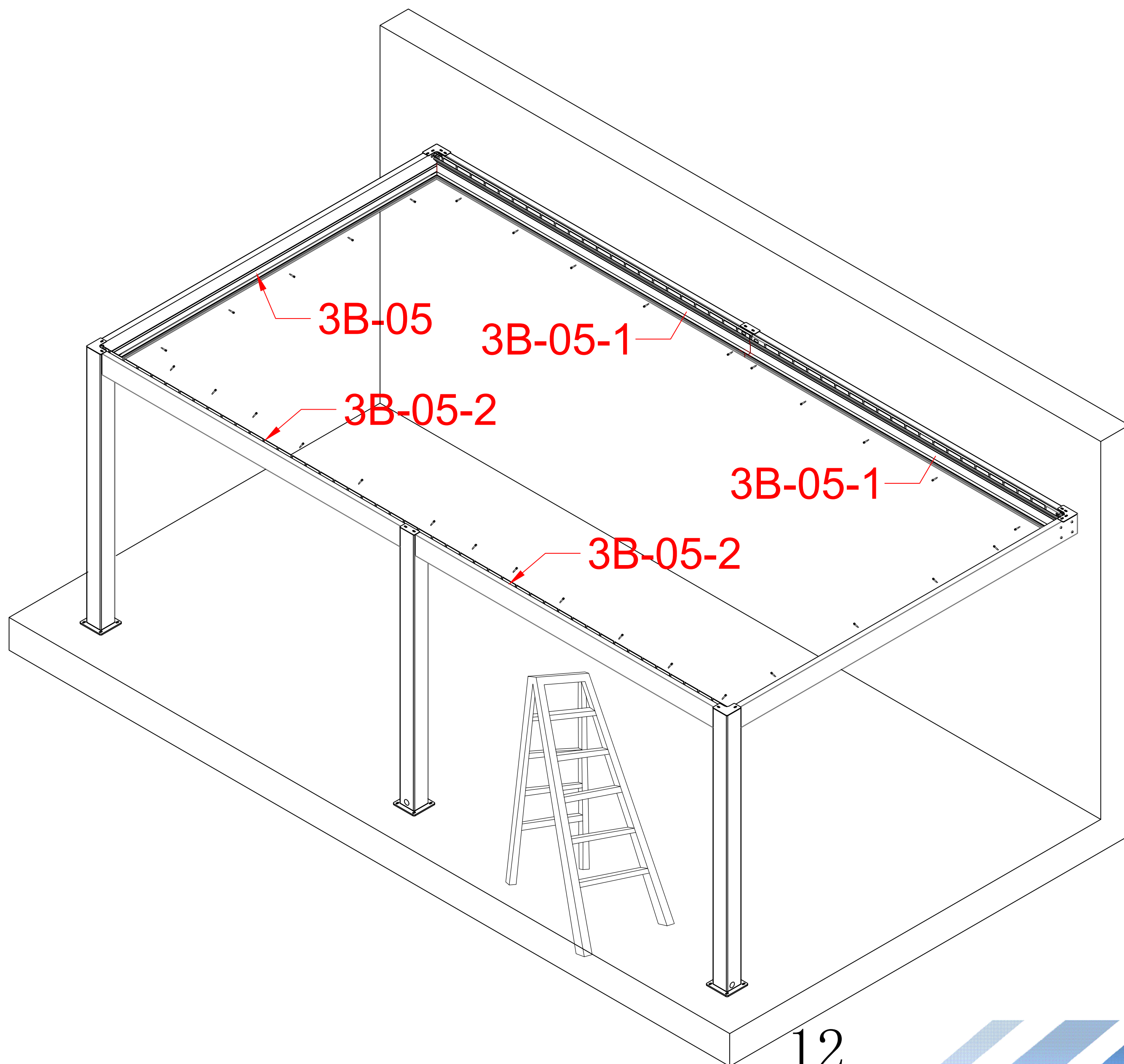
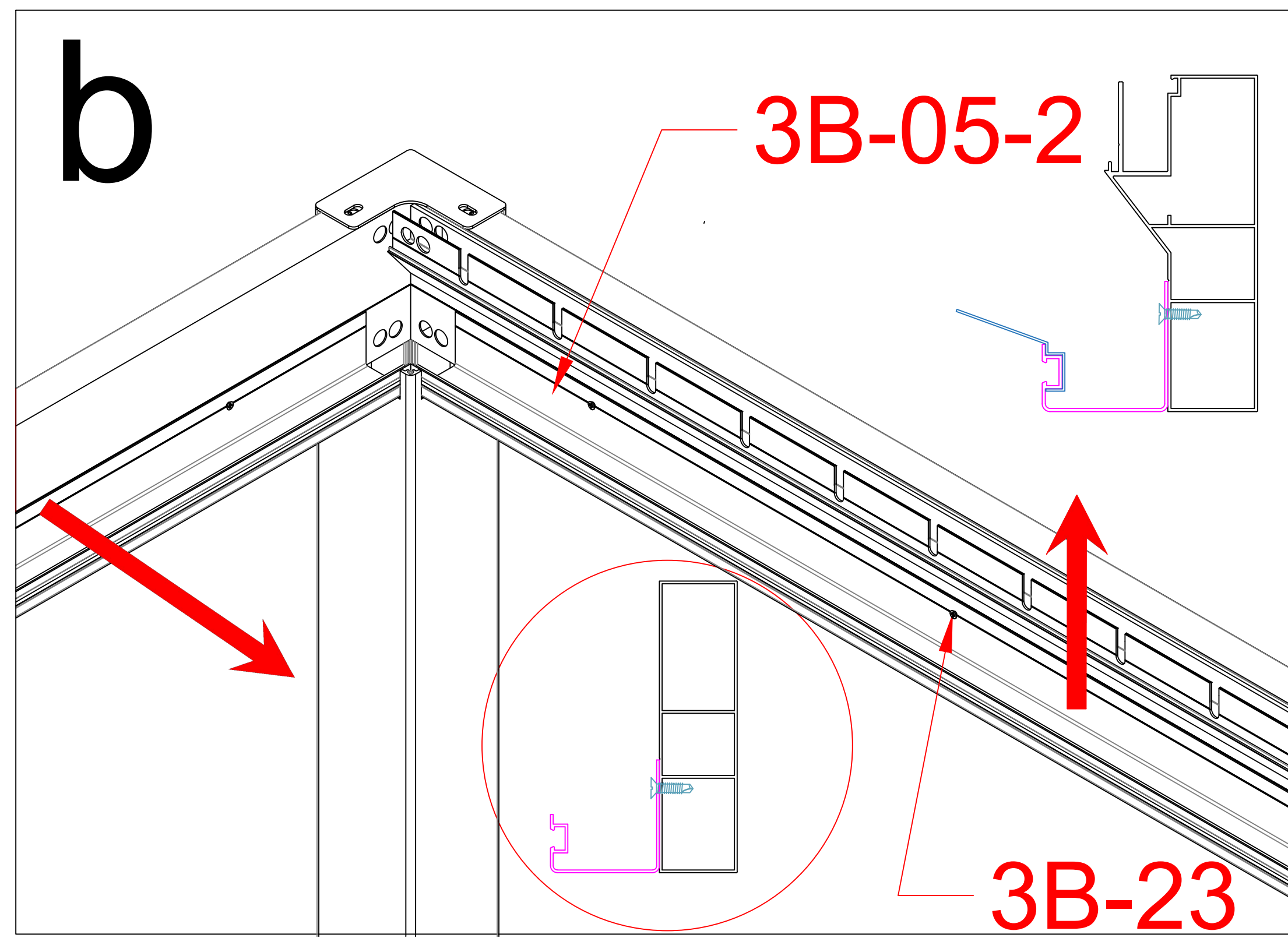
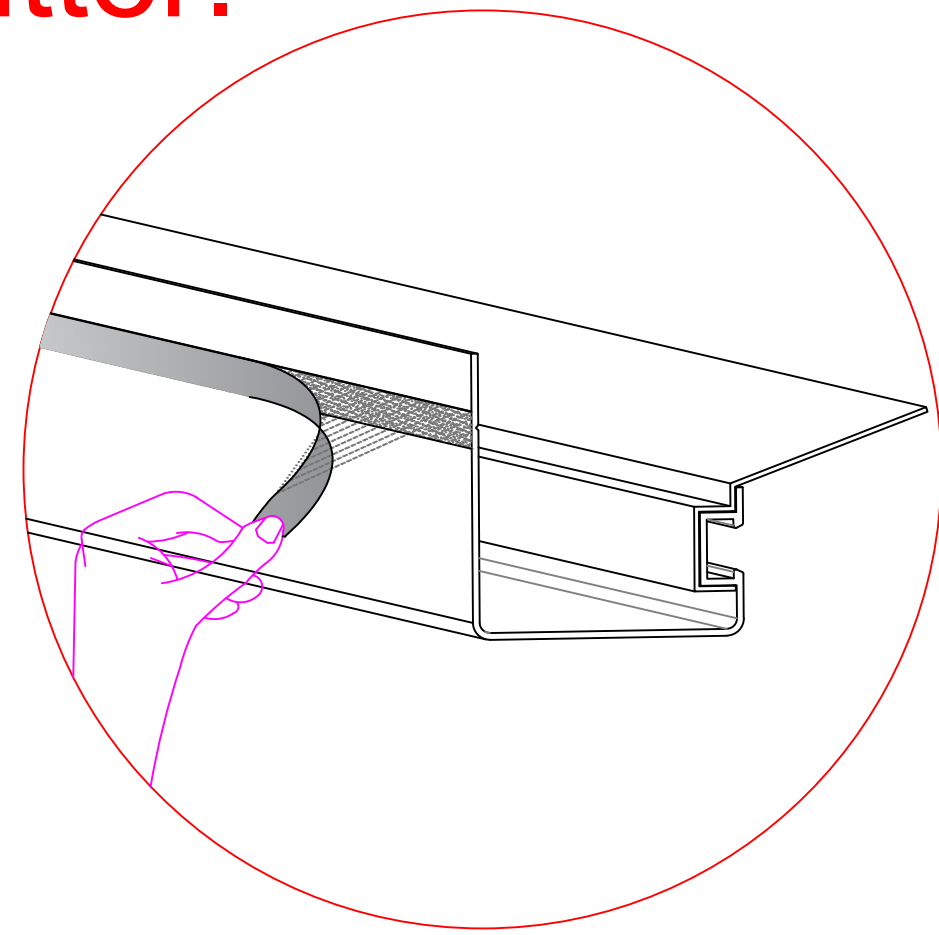


3B-05-1/ -2		4
3B-29		4





Warning:
Before installation, tear off the protective film of the tape on the back side of Gutter.

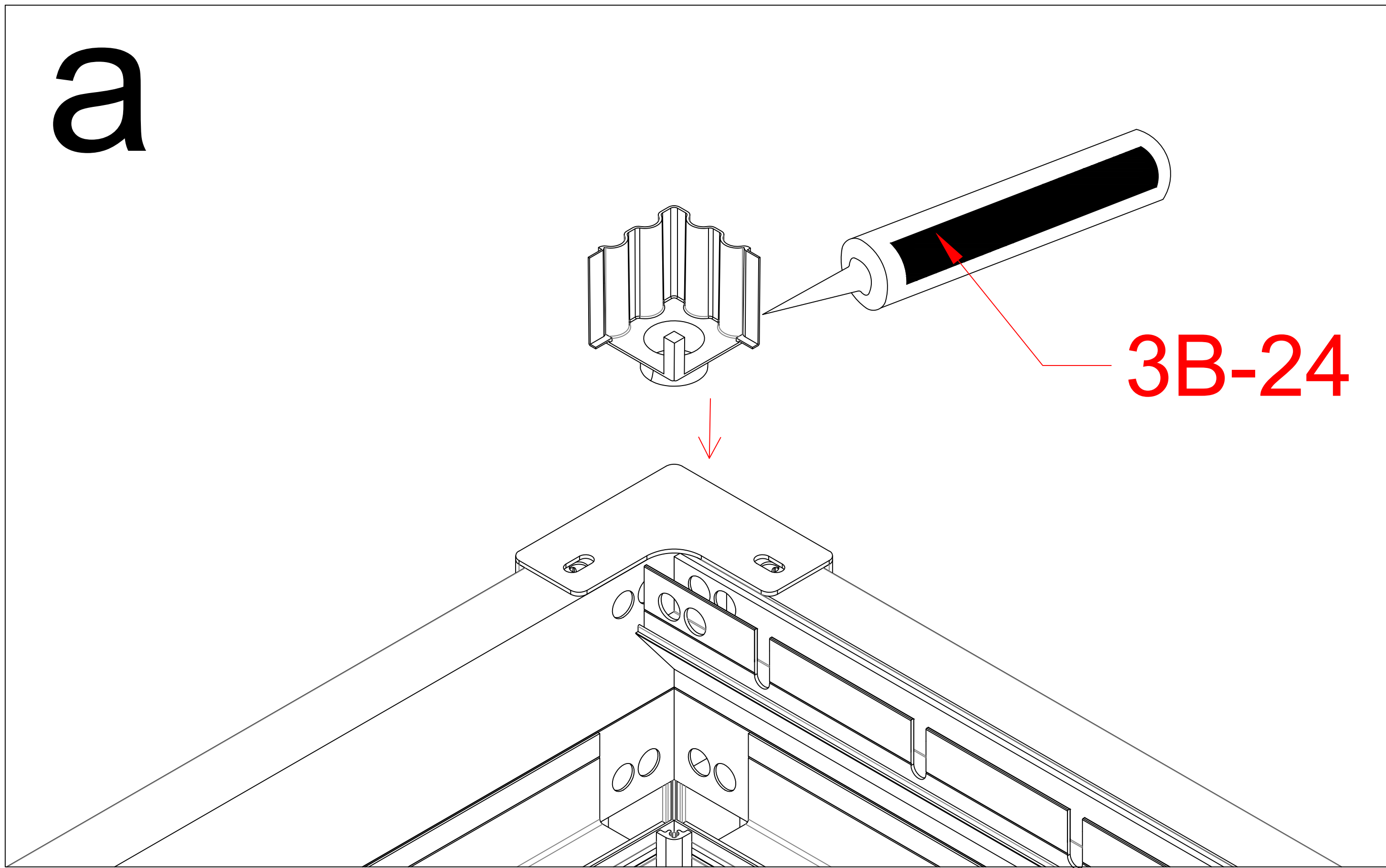


4screws/3m side
5screws/4m side
6screws/5m side
8screws/6m side
10screws/8m side

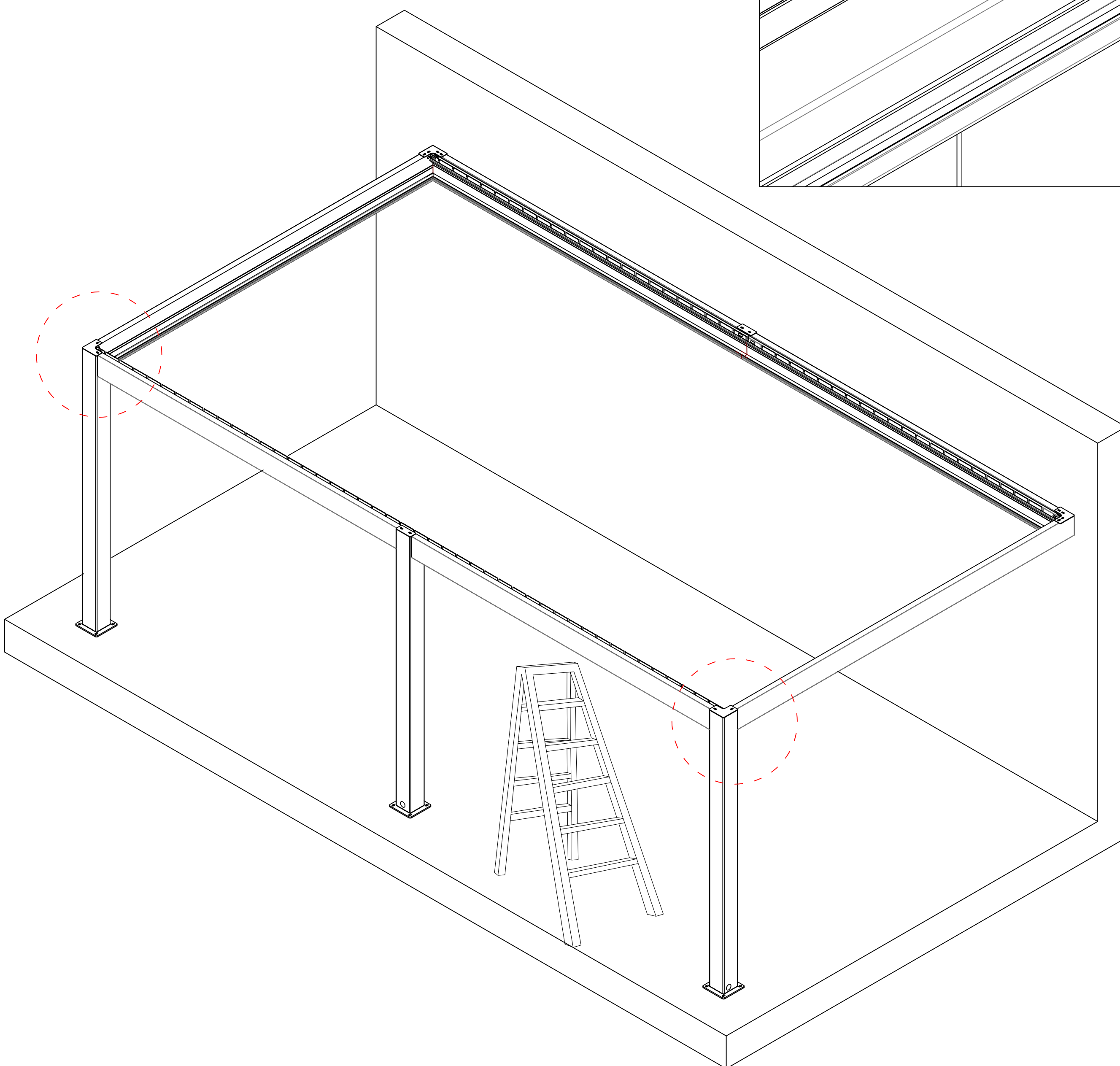
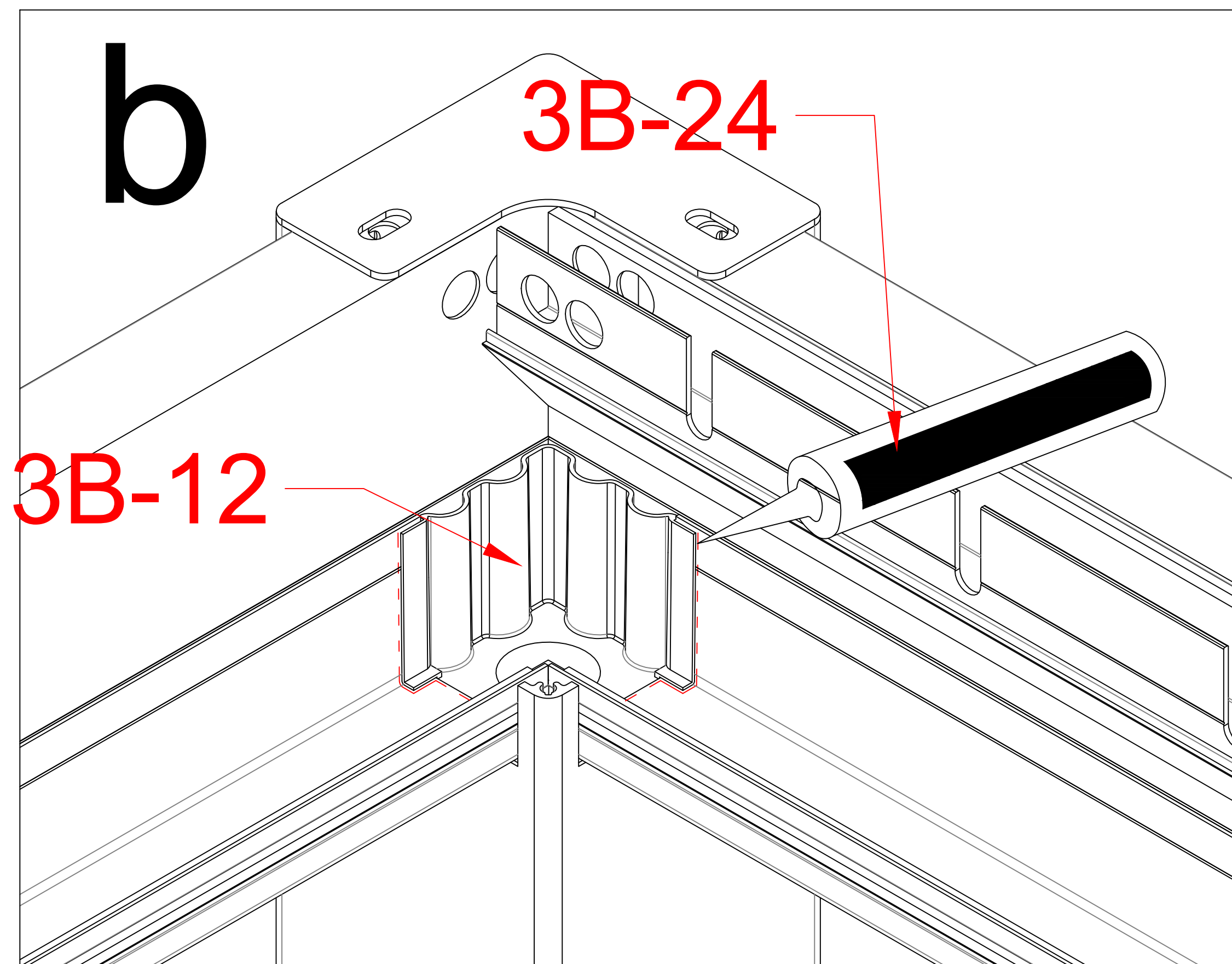
3B-05-1		2
3B-05-2		2
3B-05		2
3B-23		X



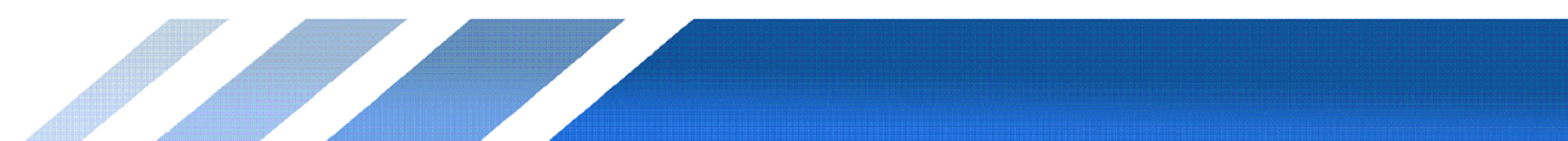
a

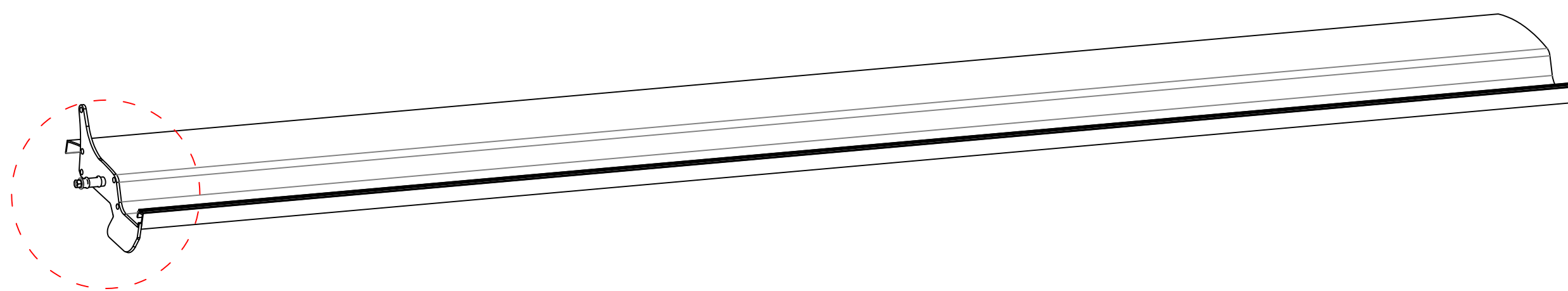
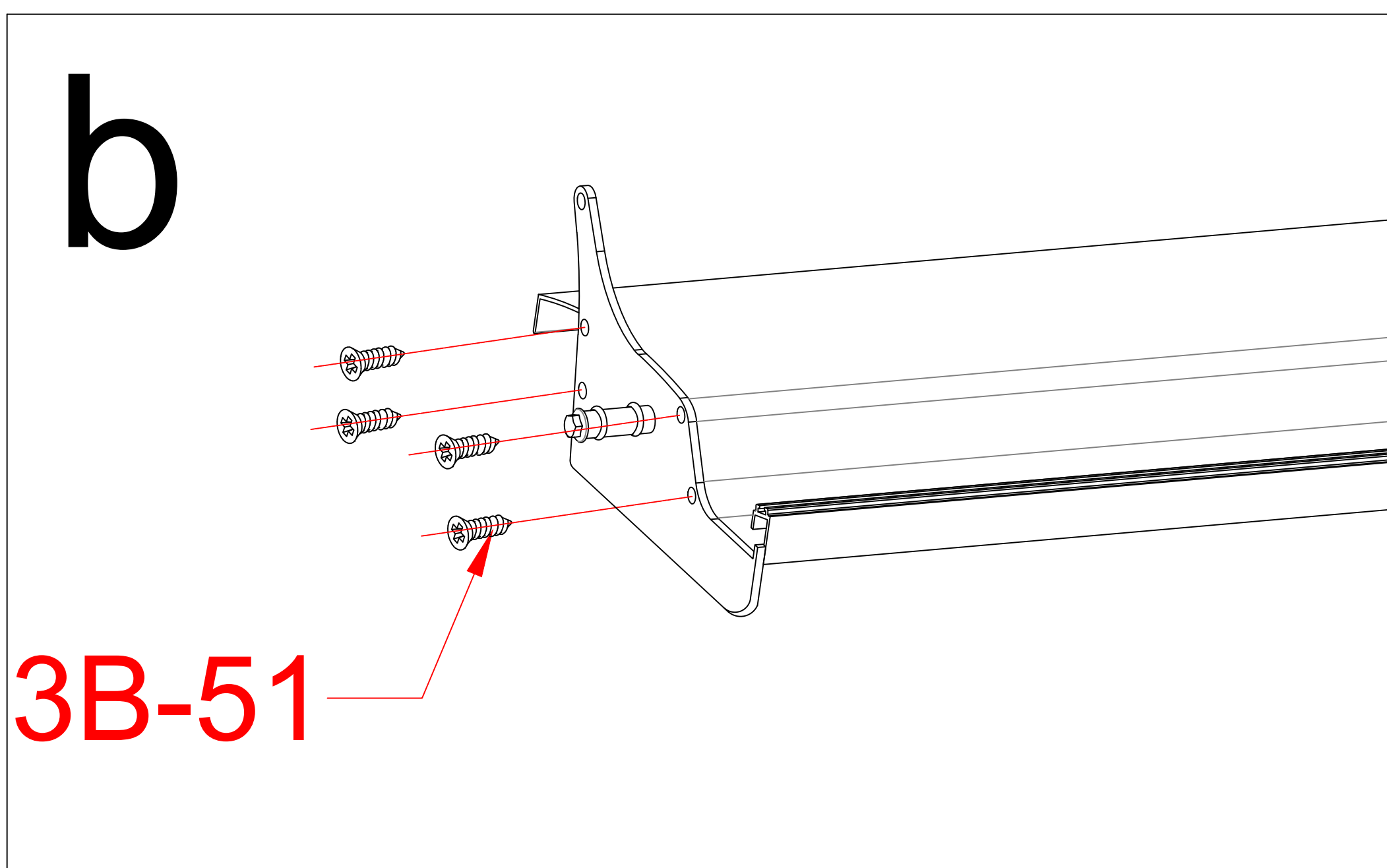
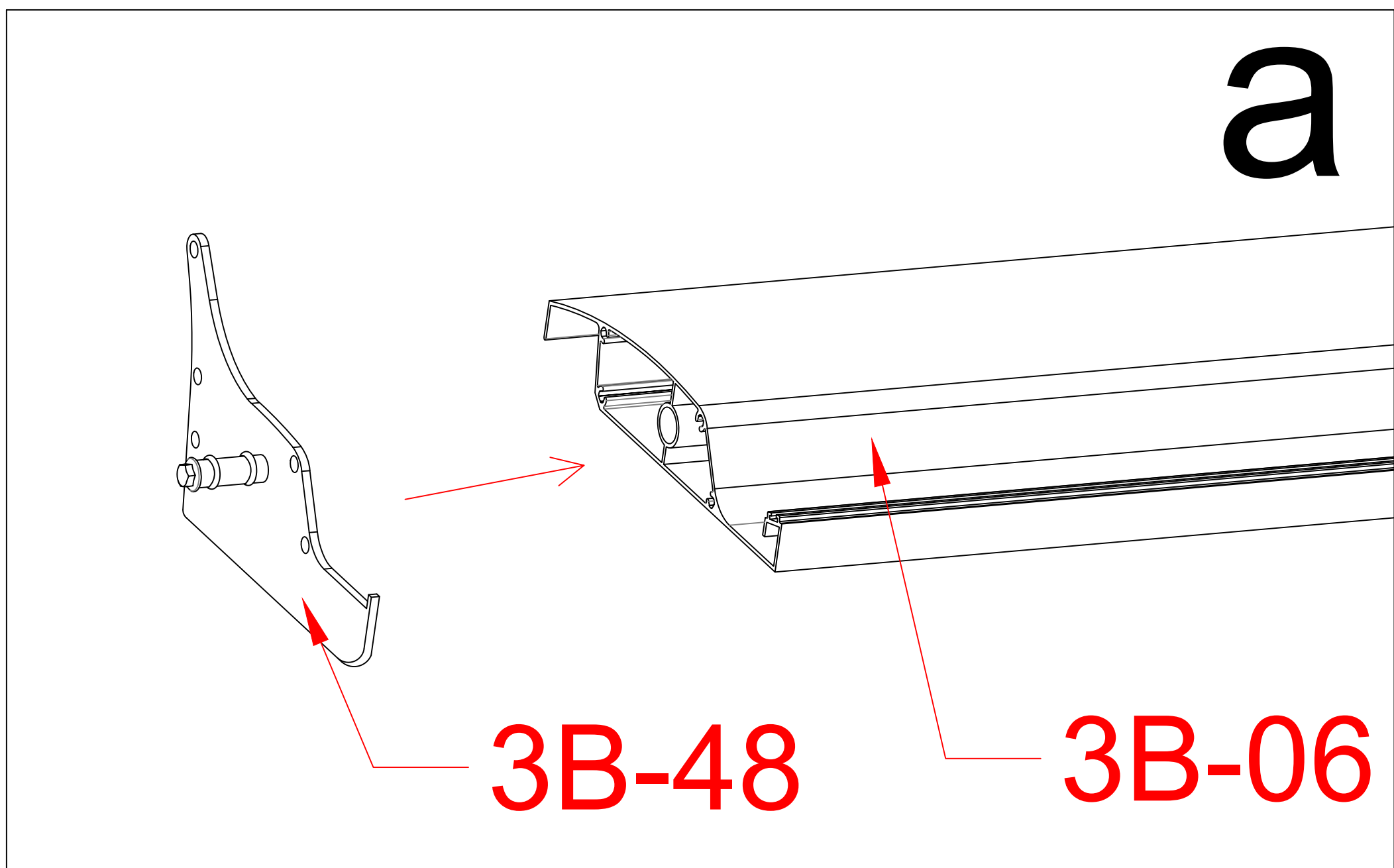


b



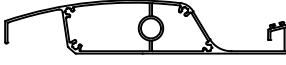
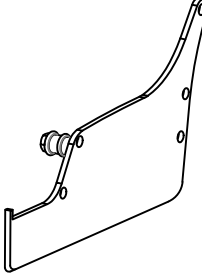


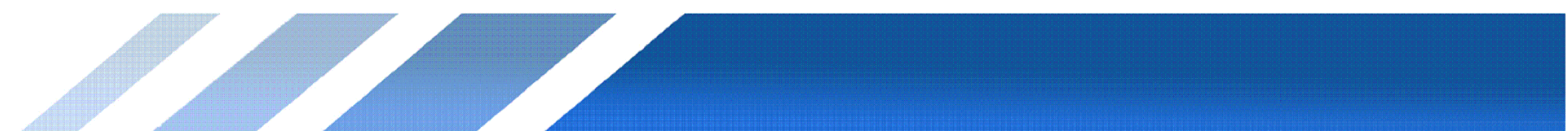
3B-24		1
3B-12		2

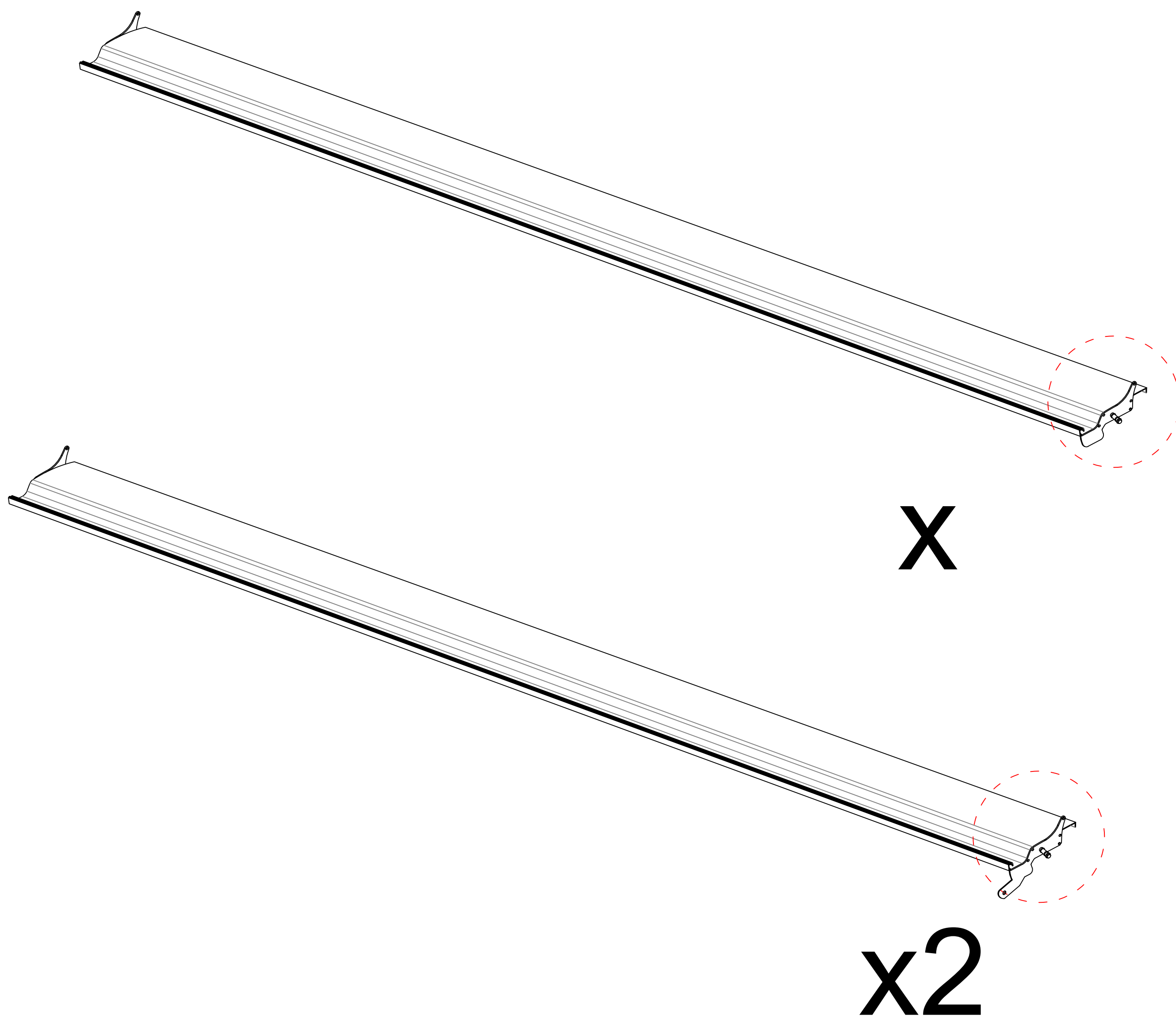
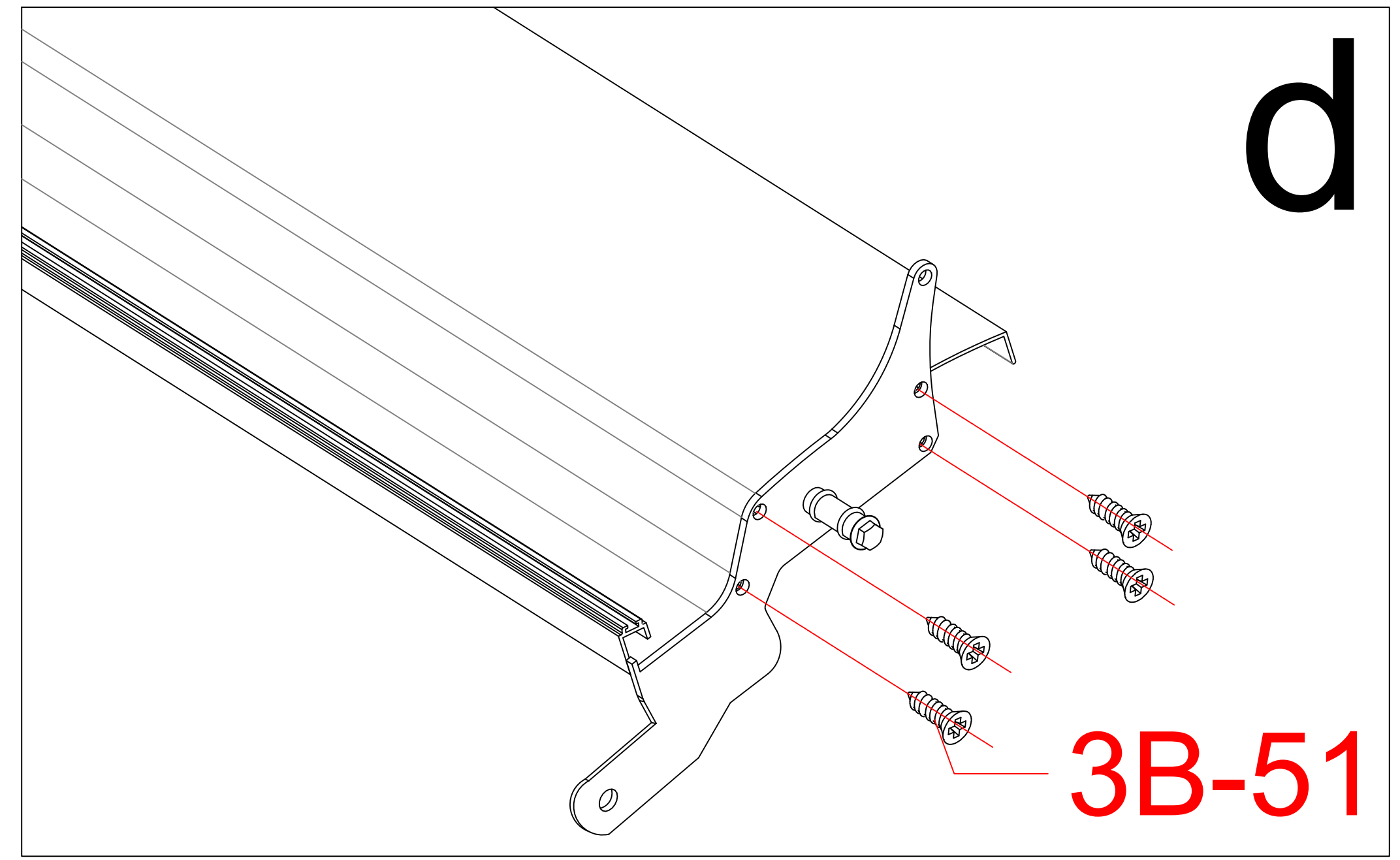
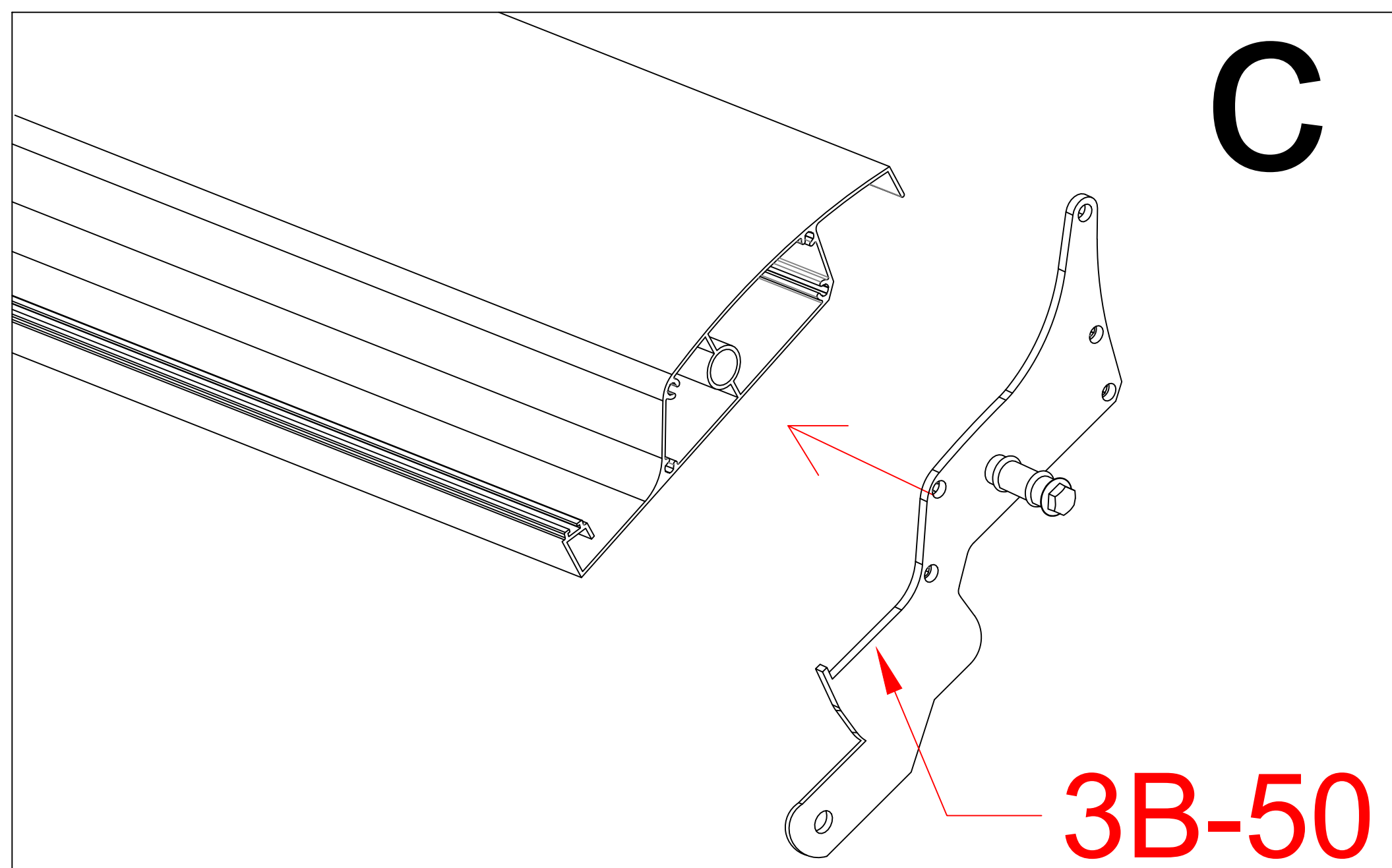
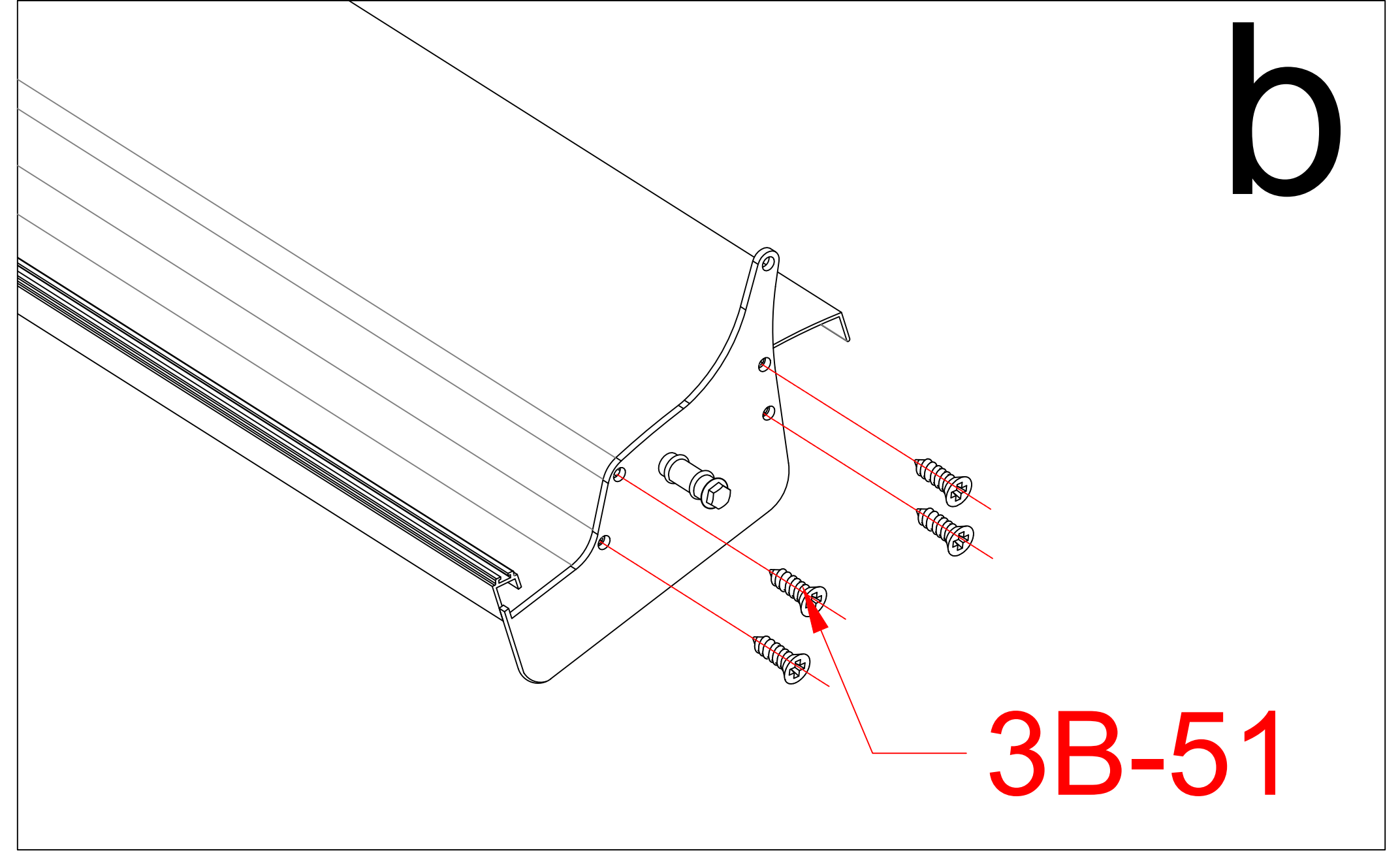
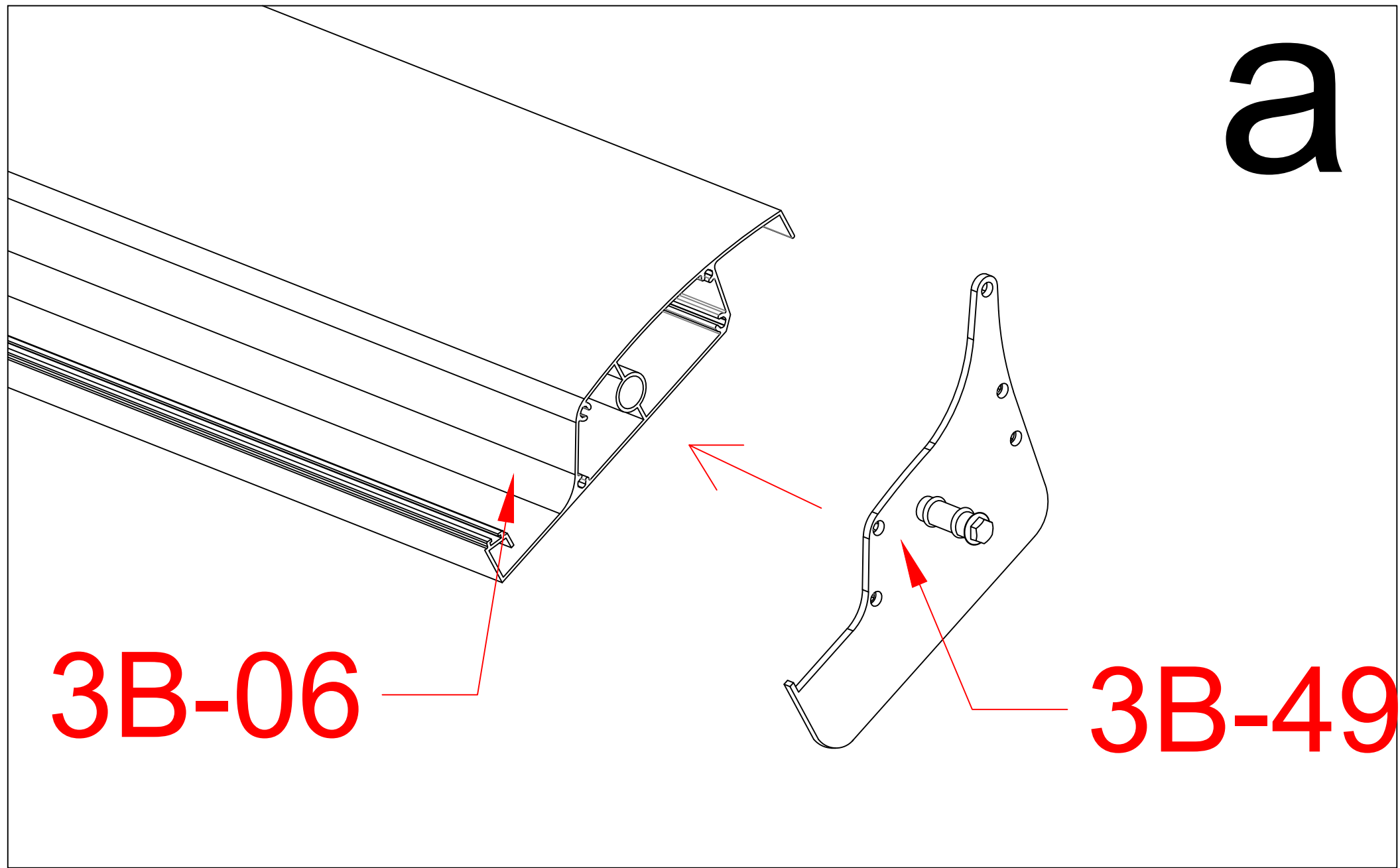


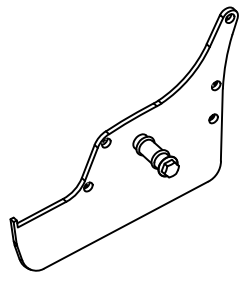
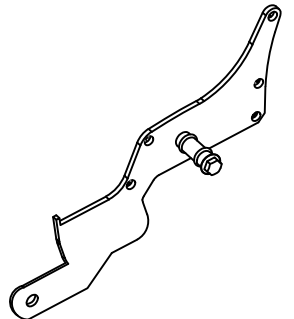



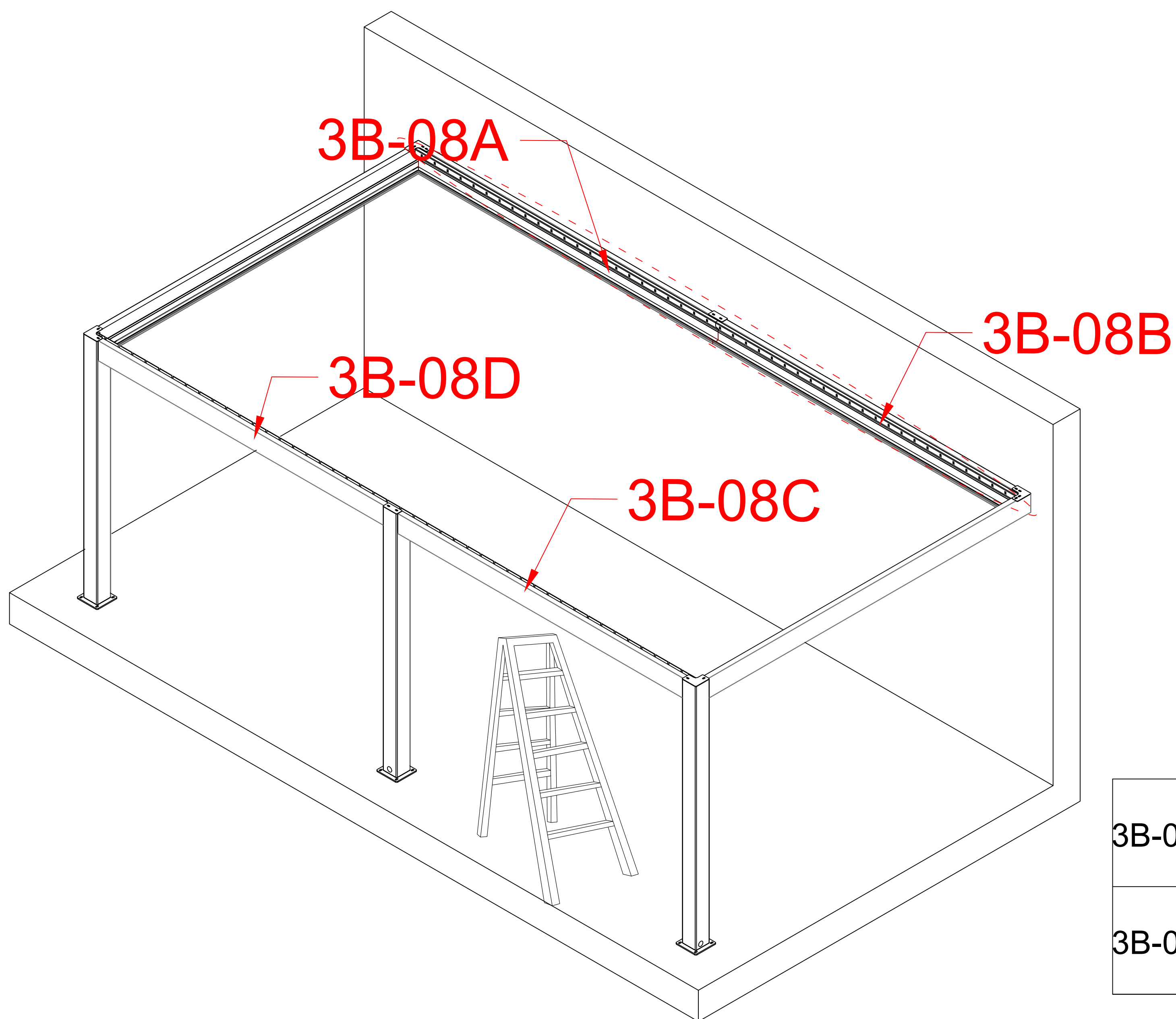
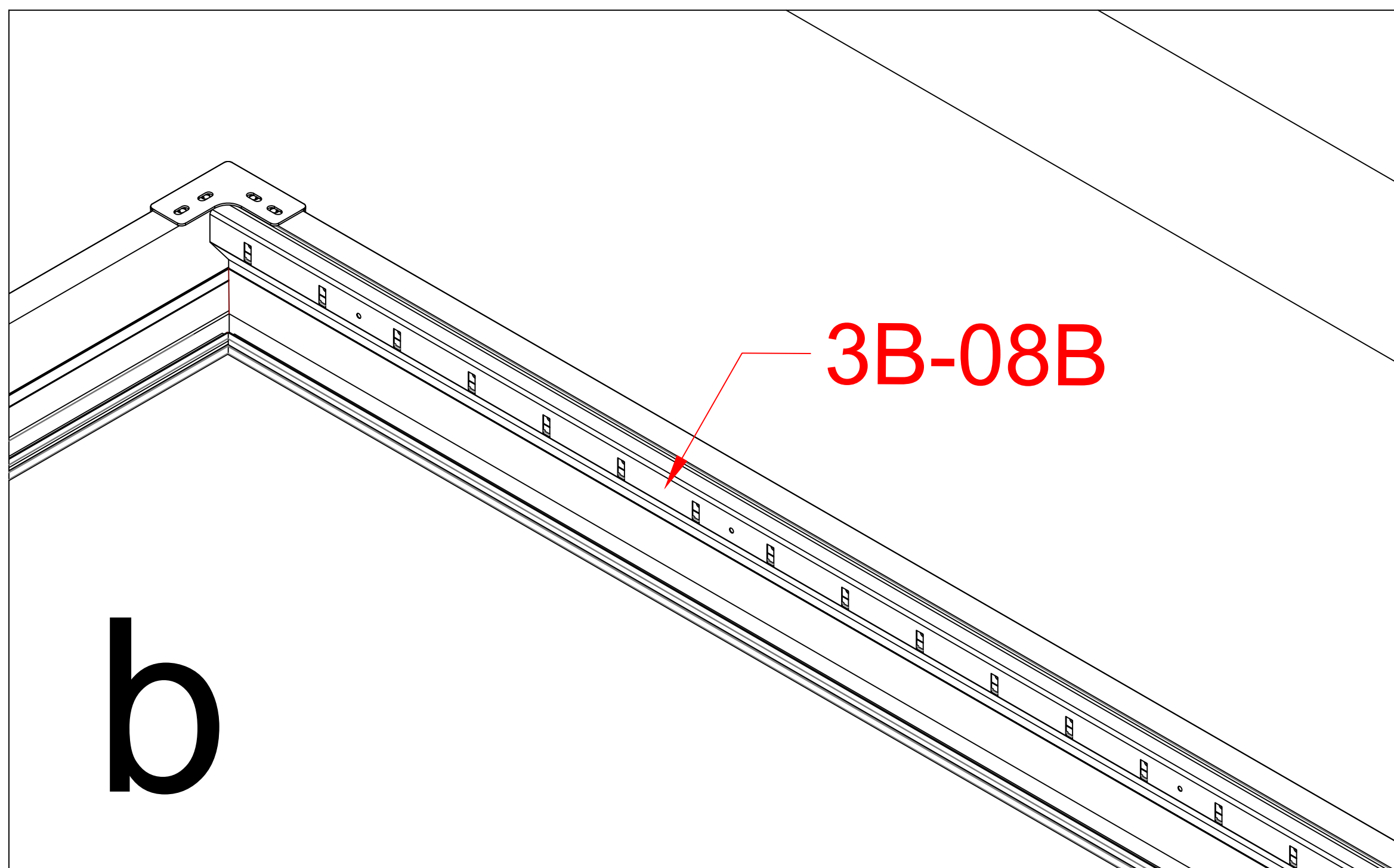
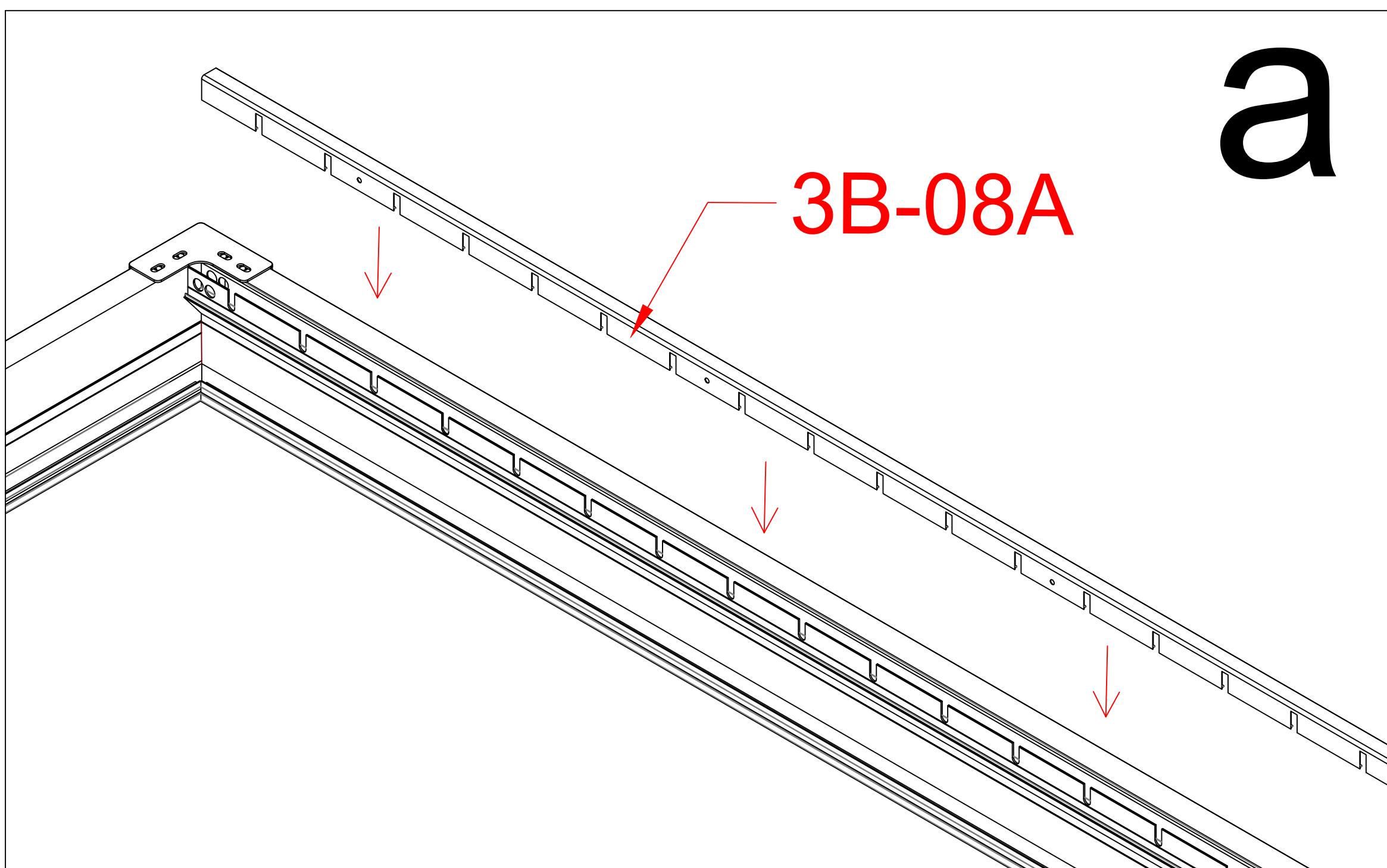
X

3B-51		X*4
3B-06	 	X
3B-48		X

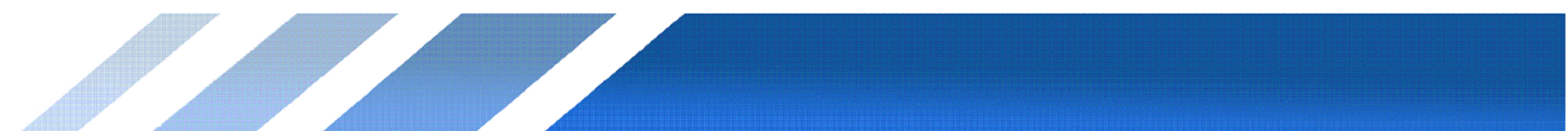


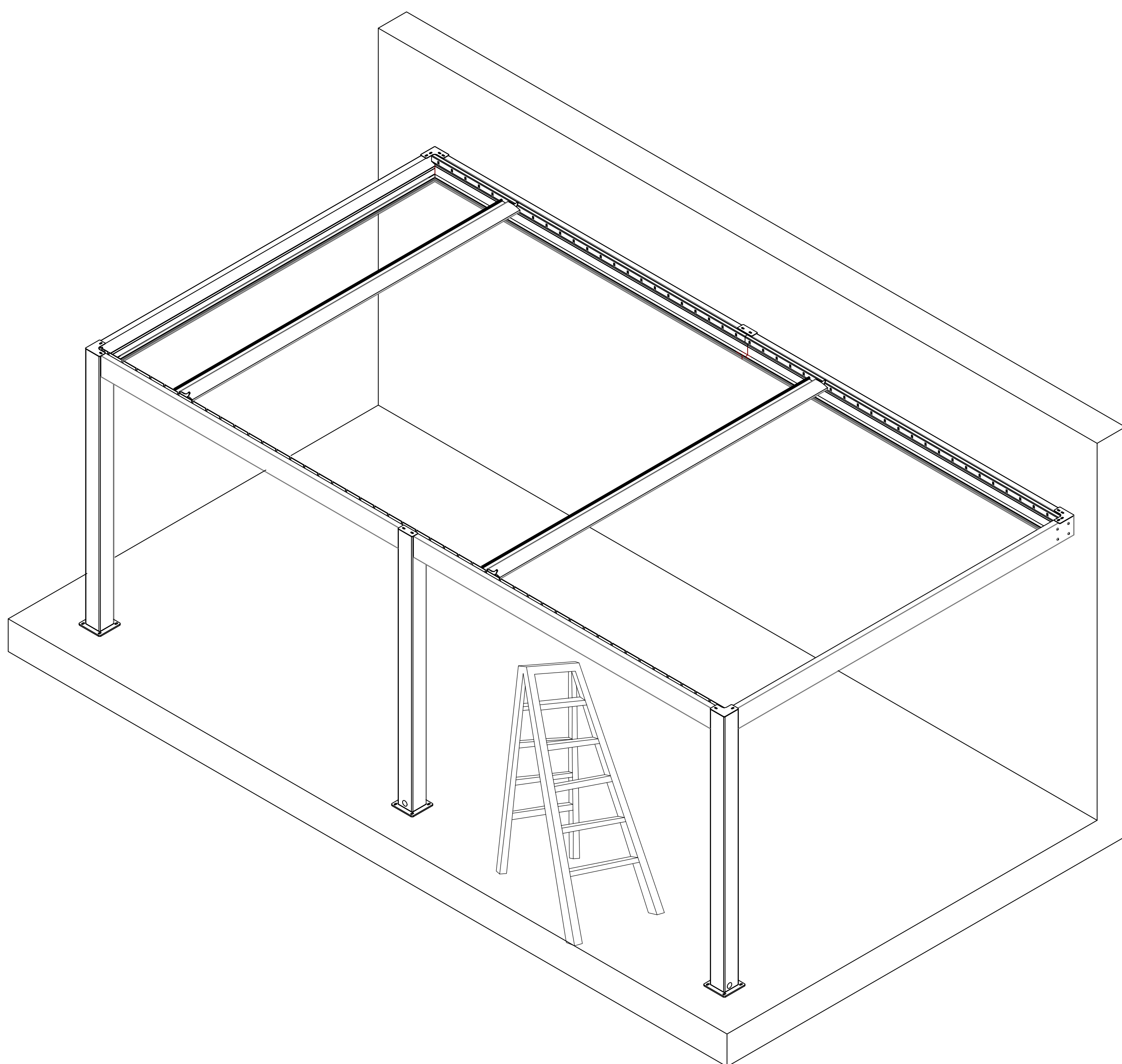
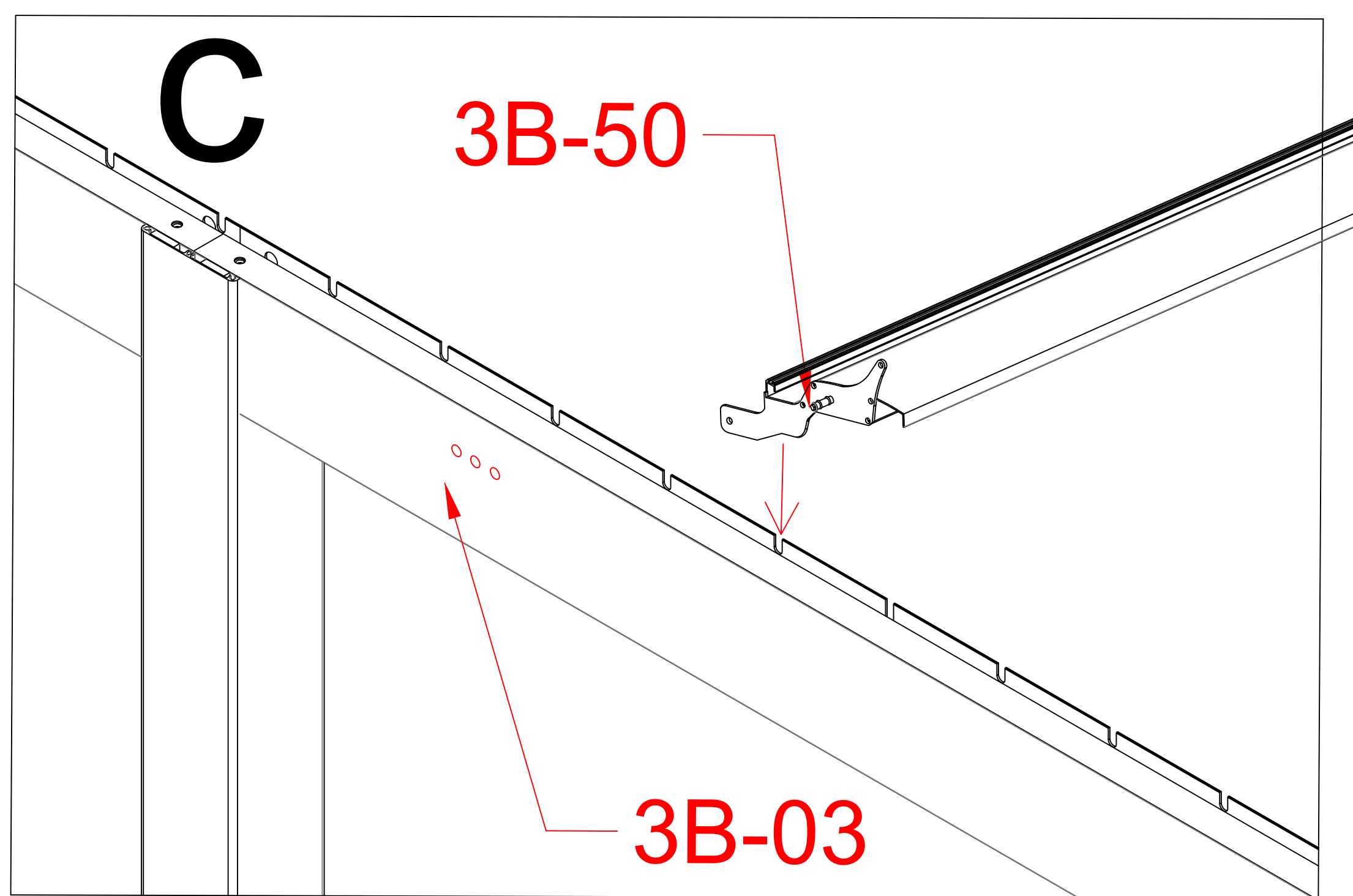
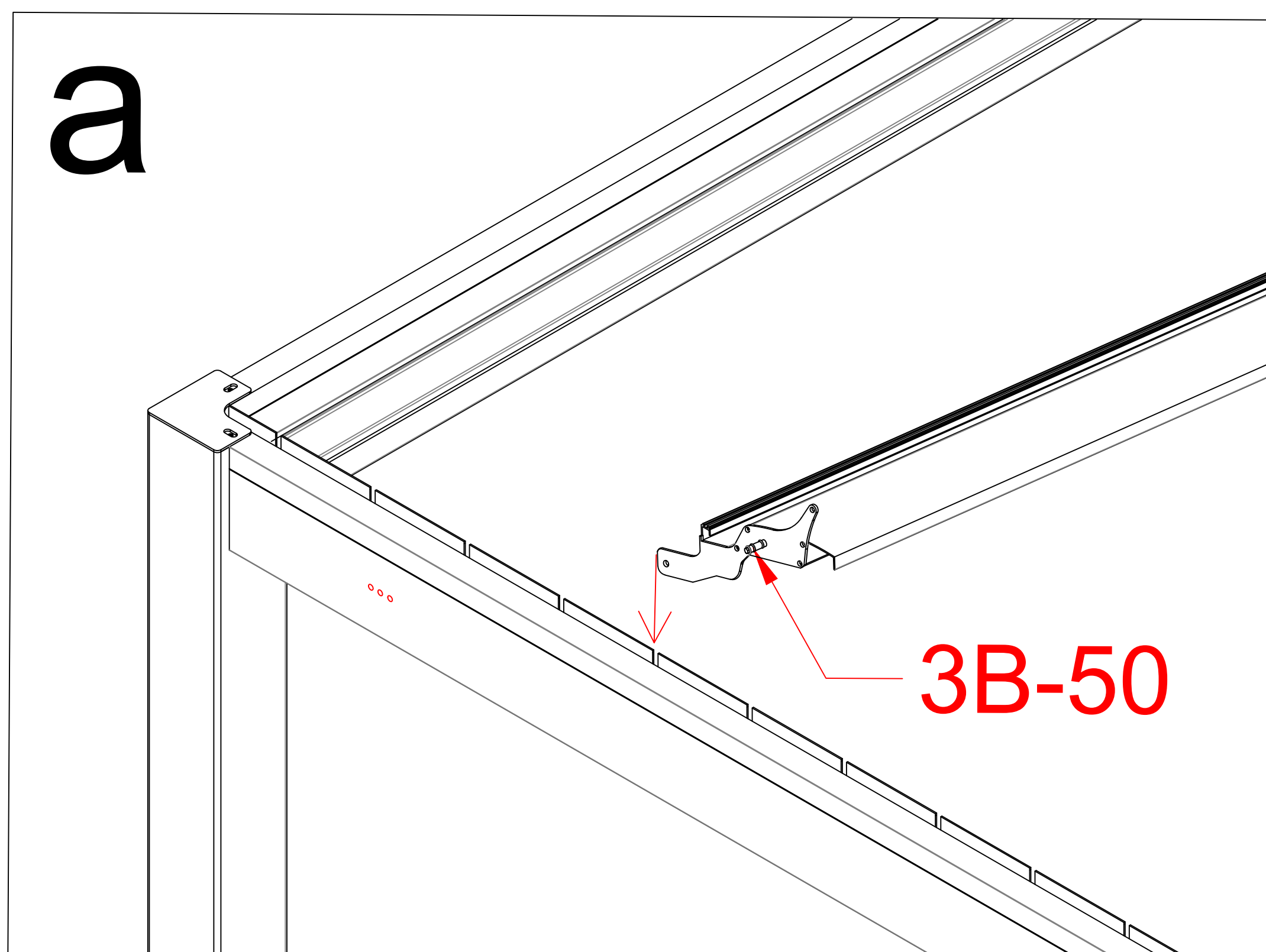
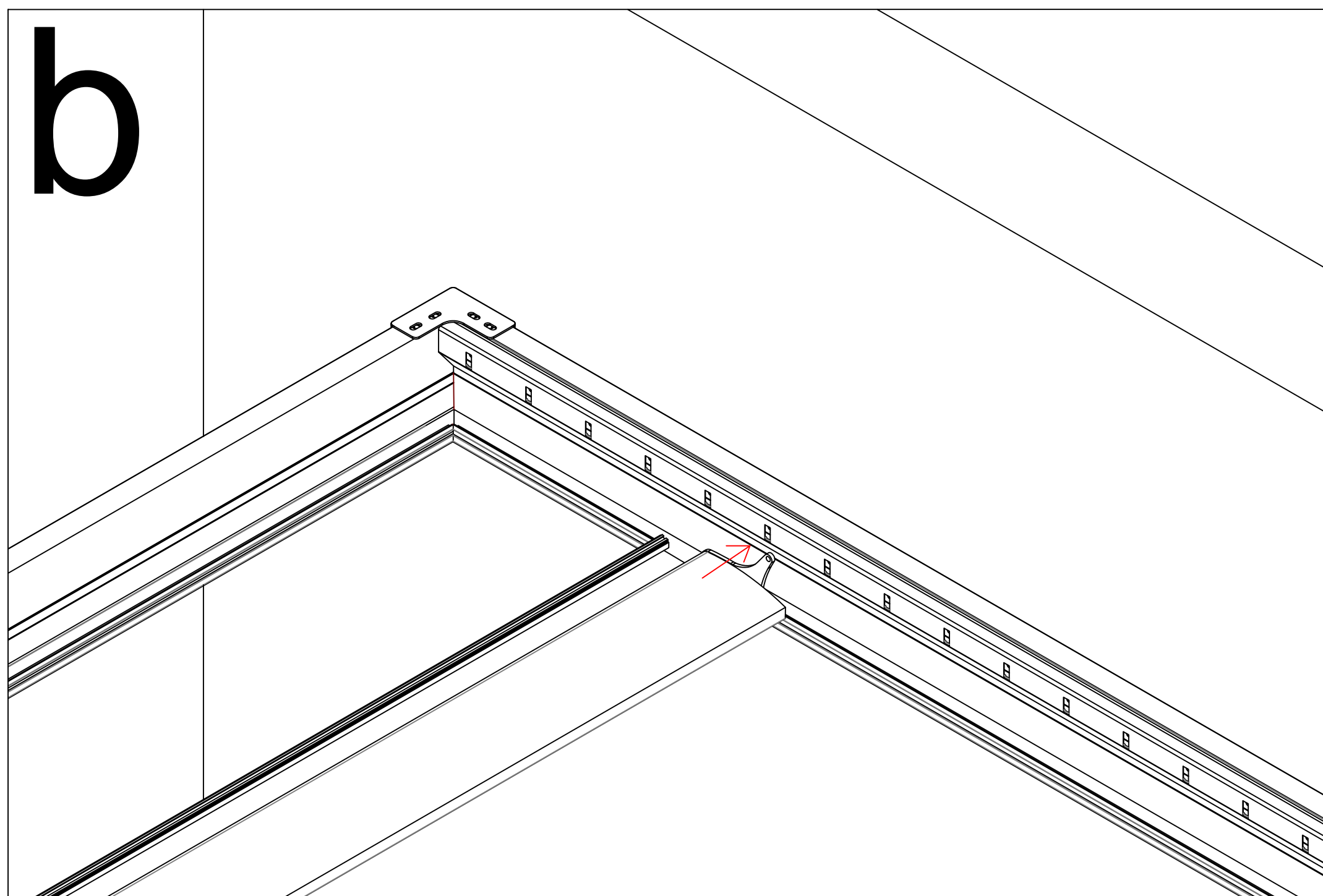


3B-49		X
3B-50		2
3B-51		X

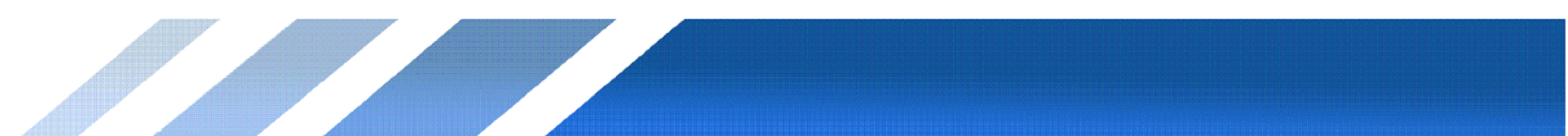


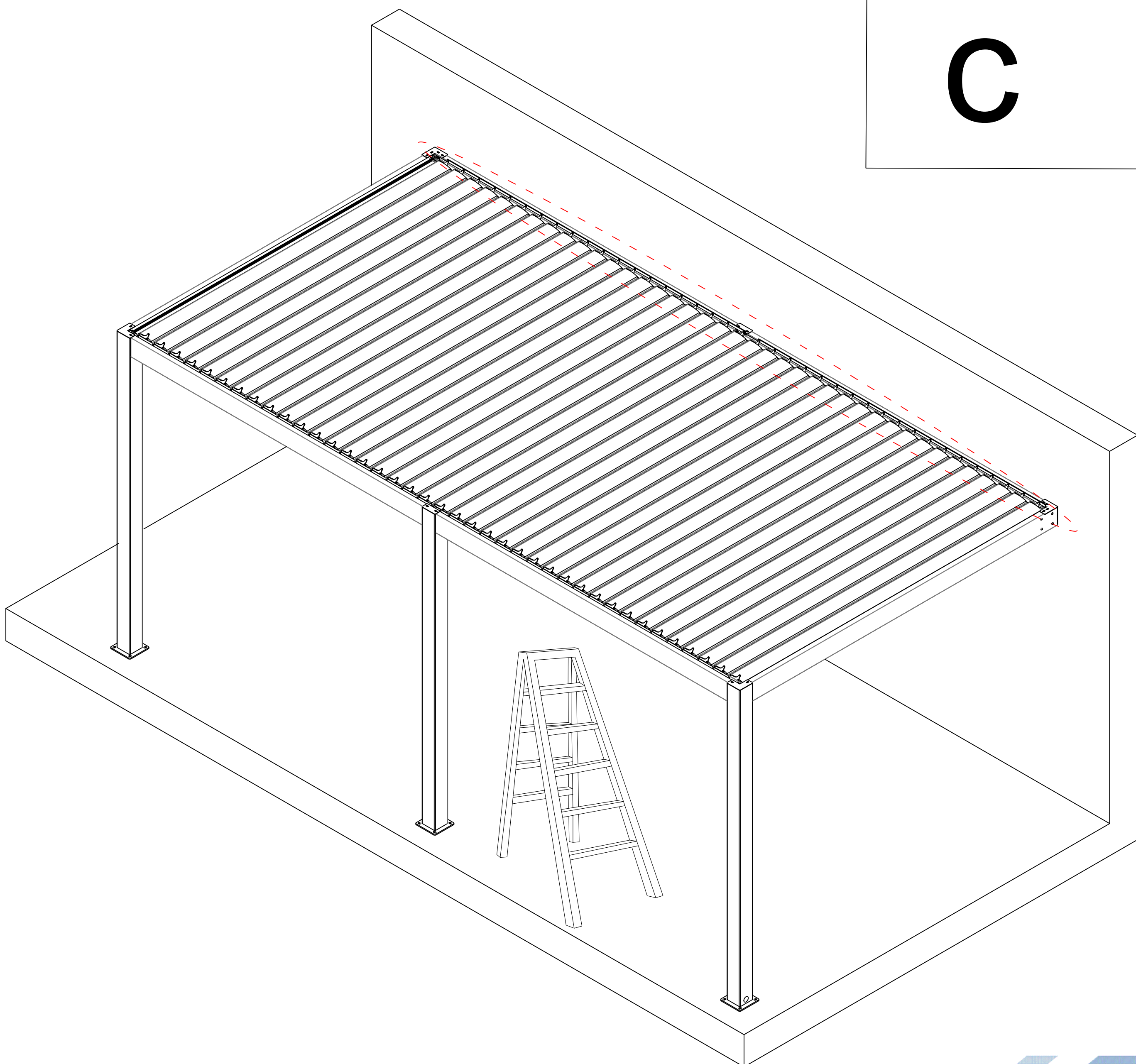
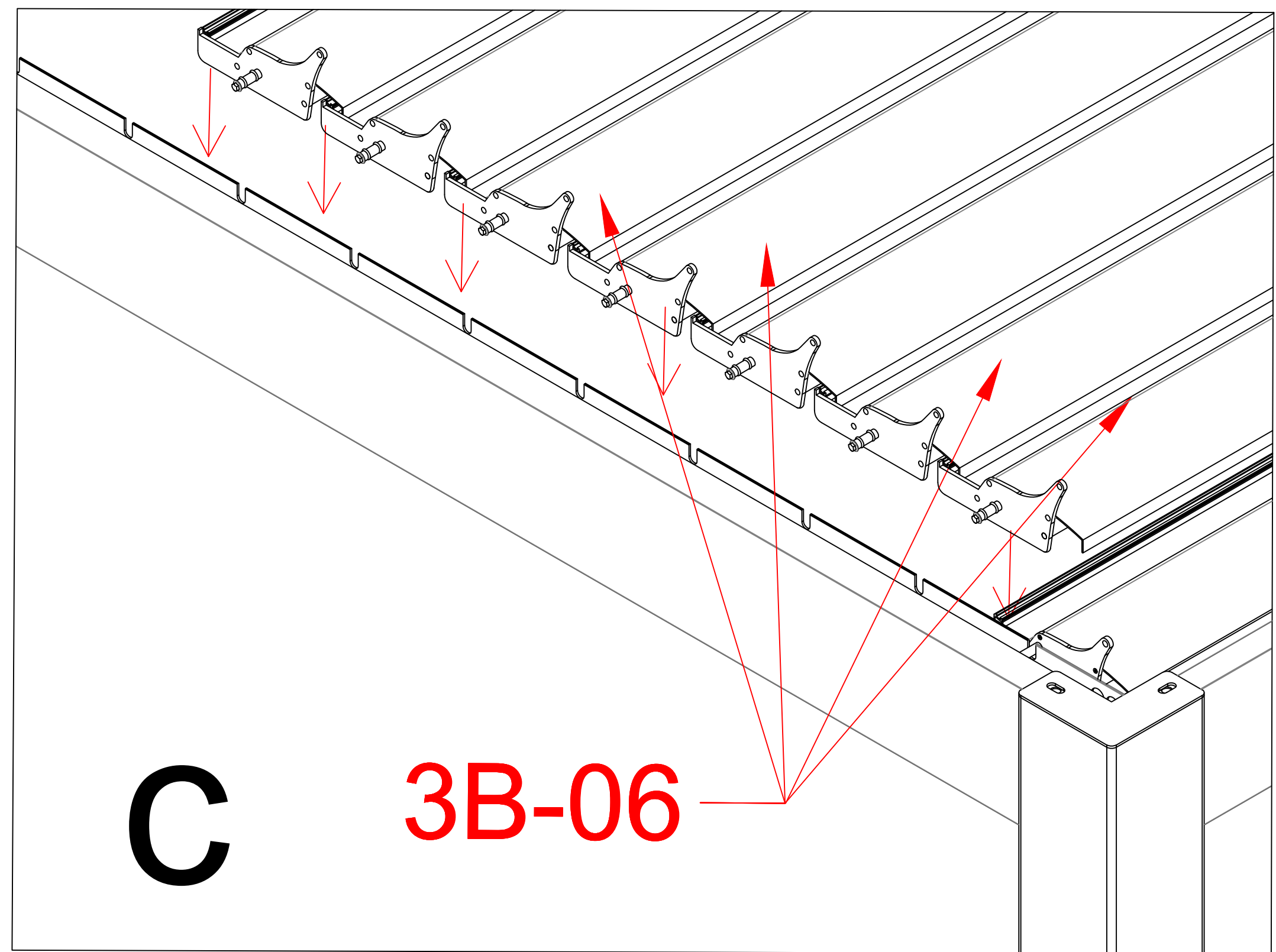
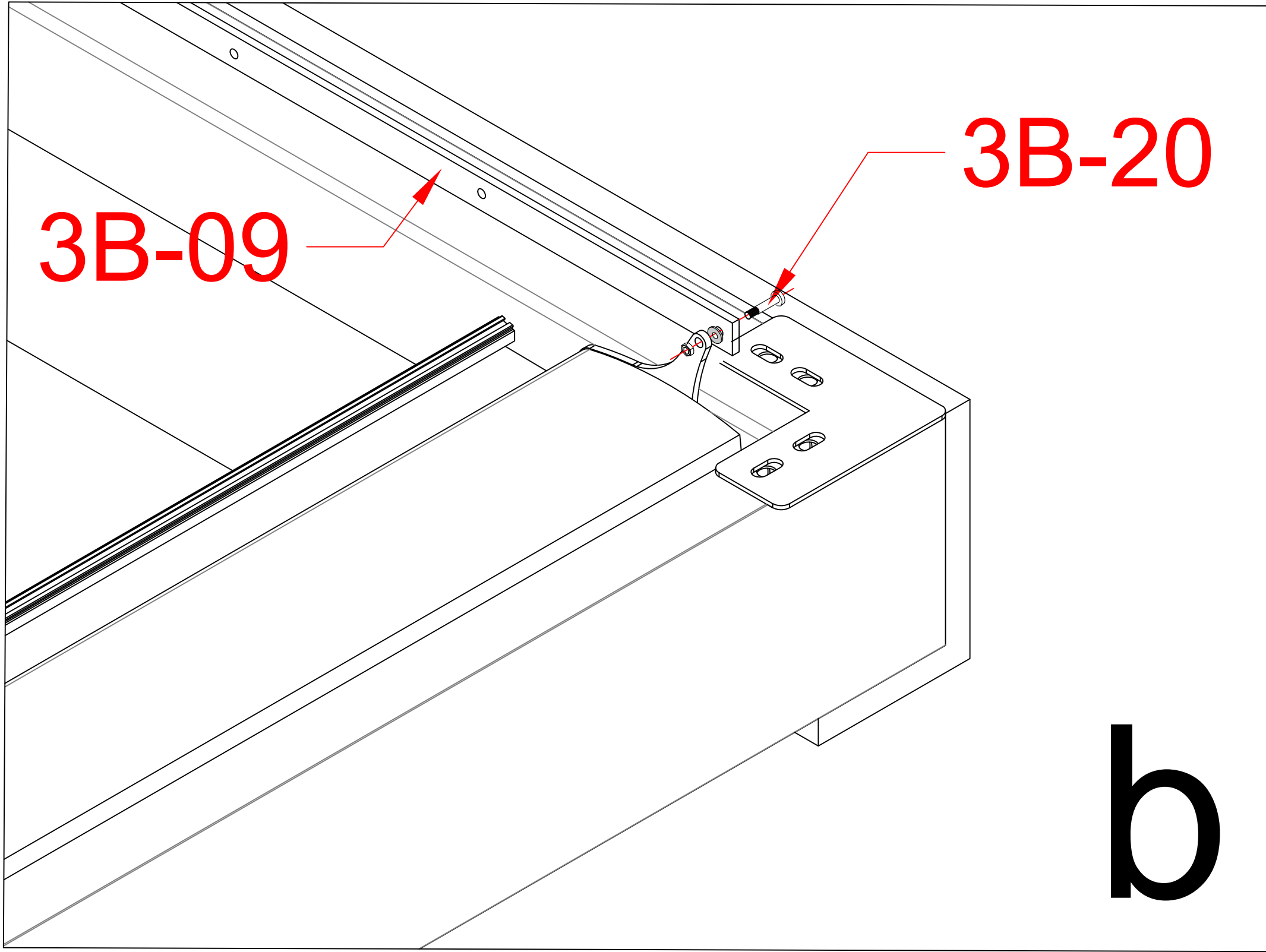
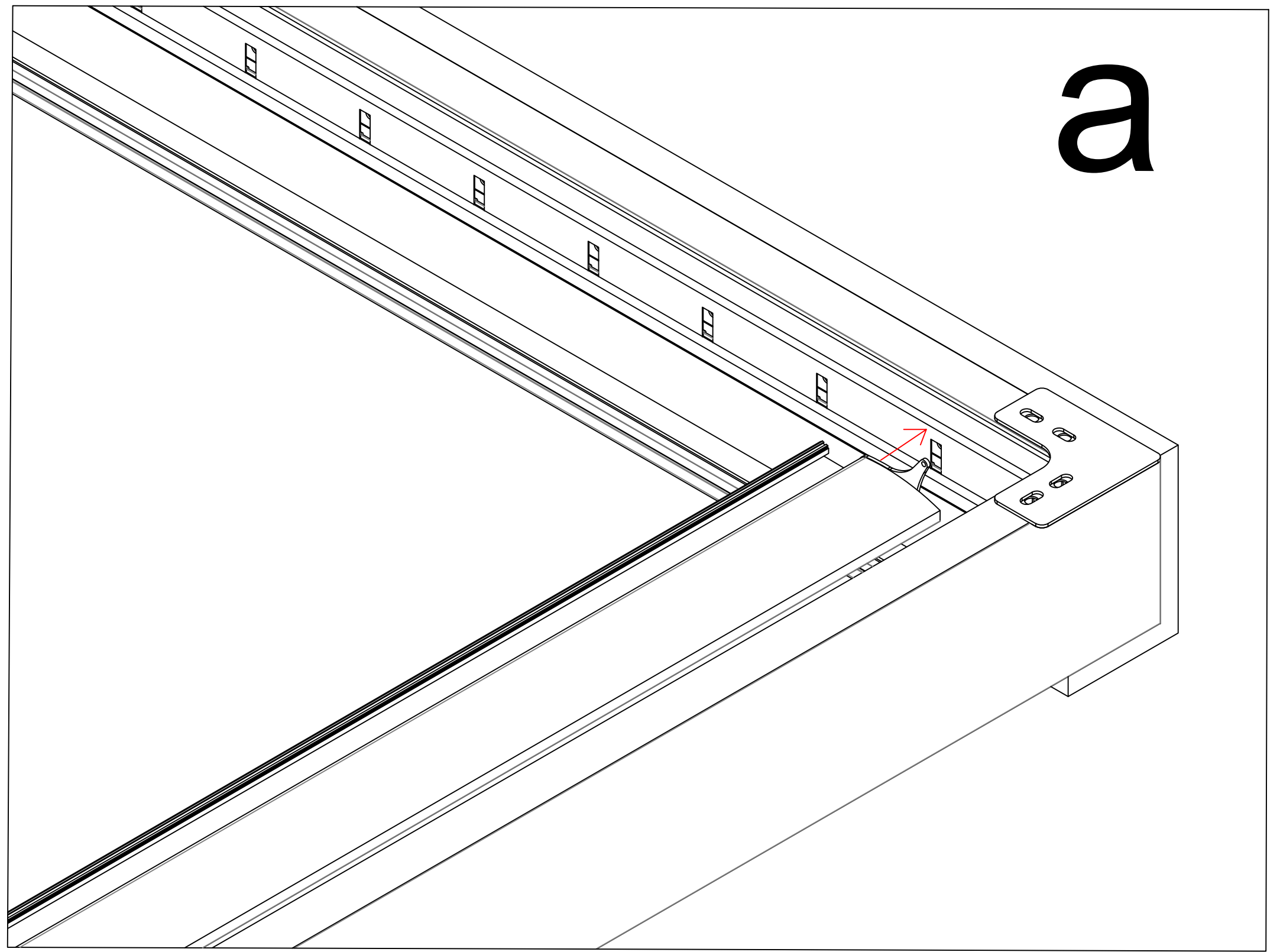
3B-08C		1
3B-08D		1



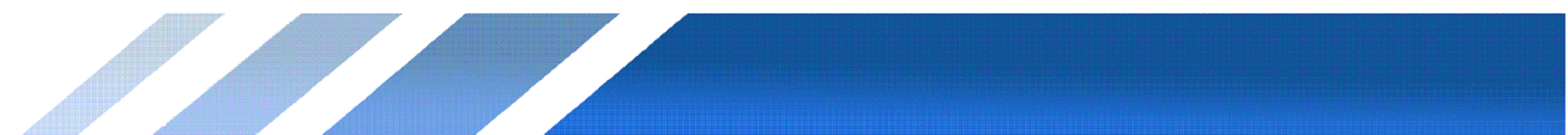


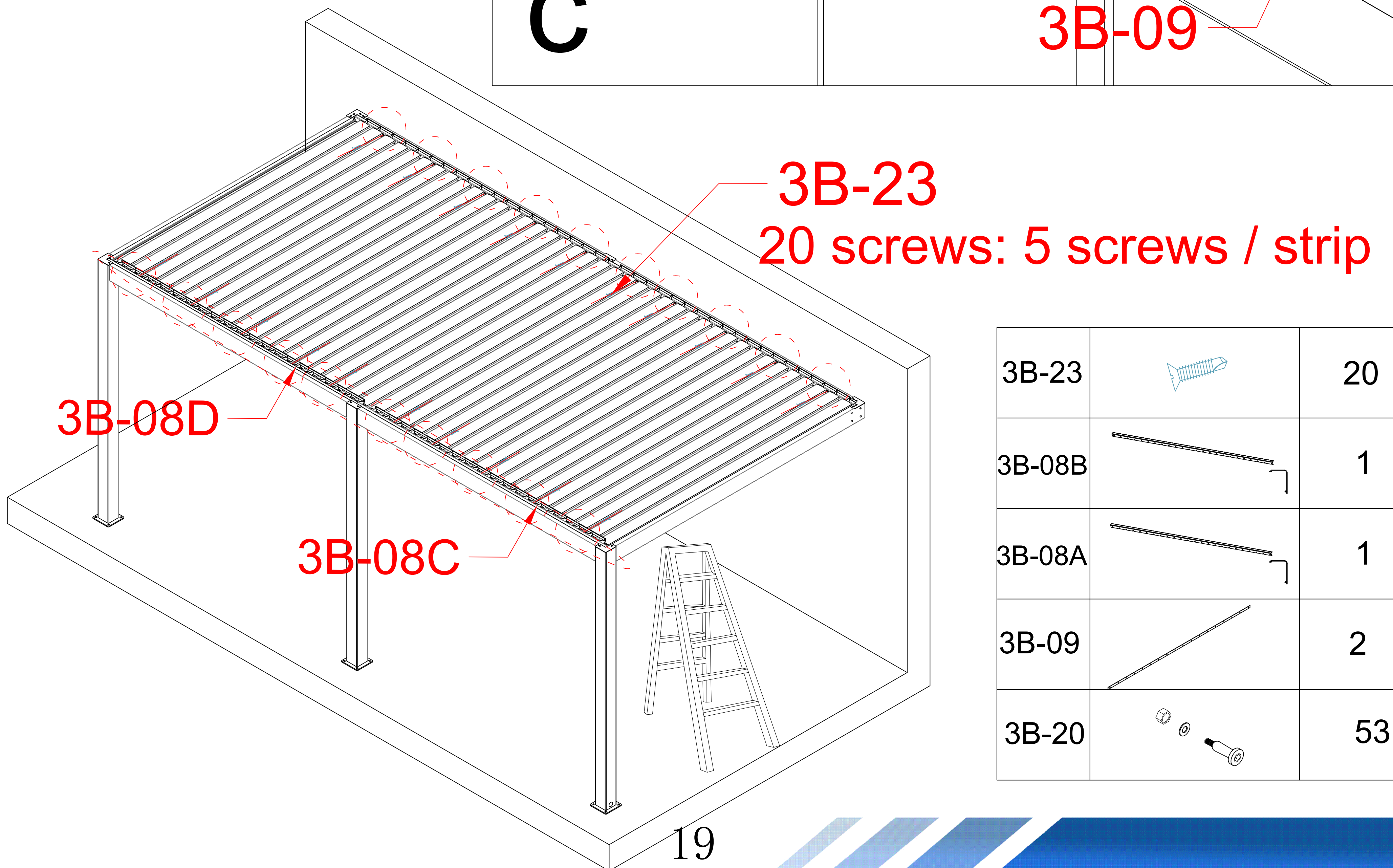
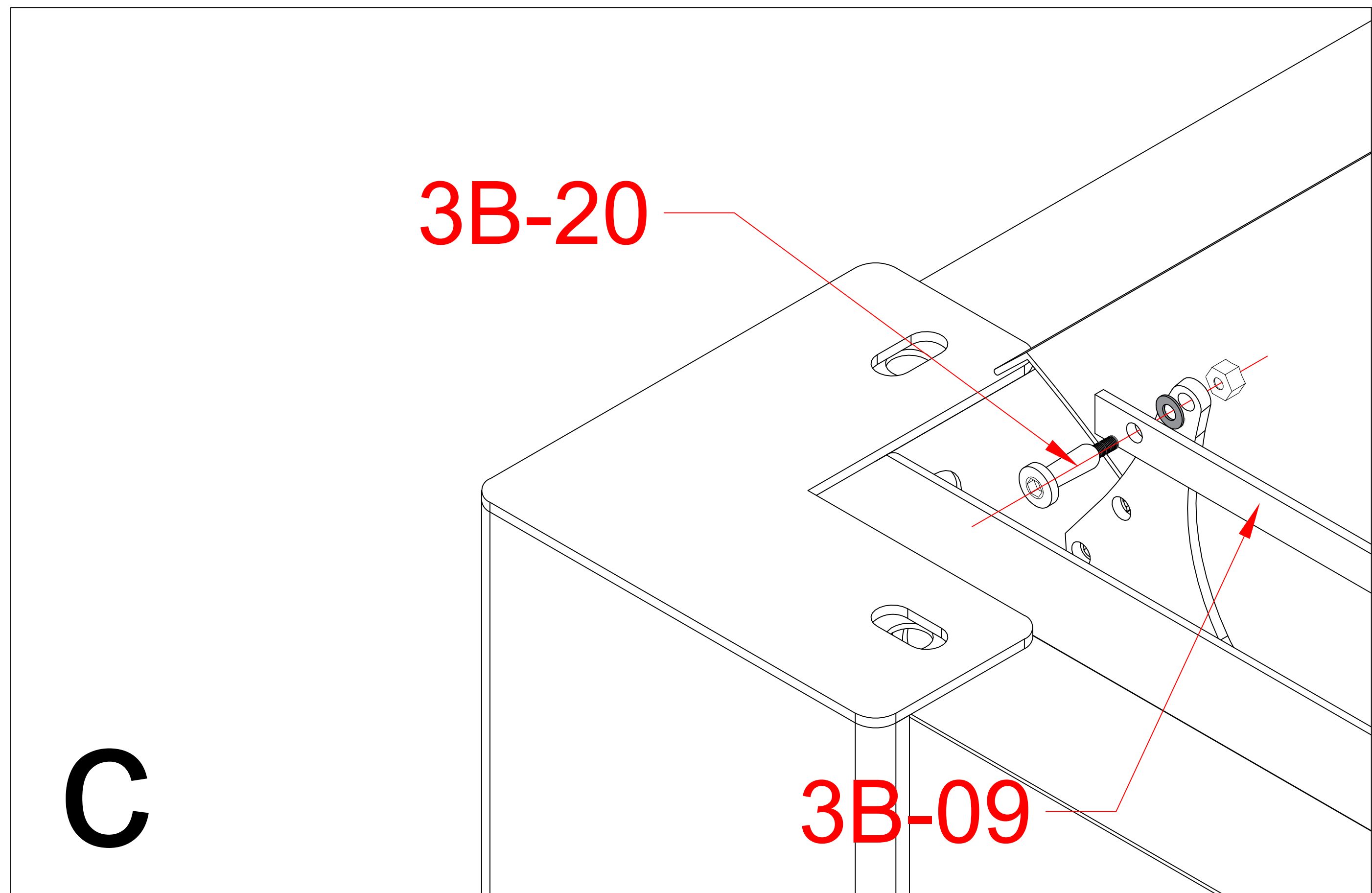
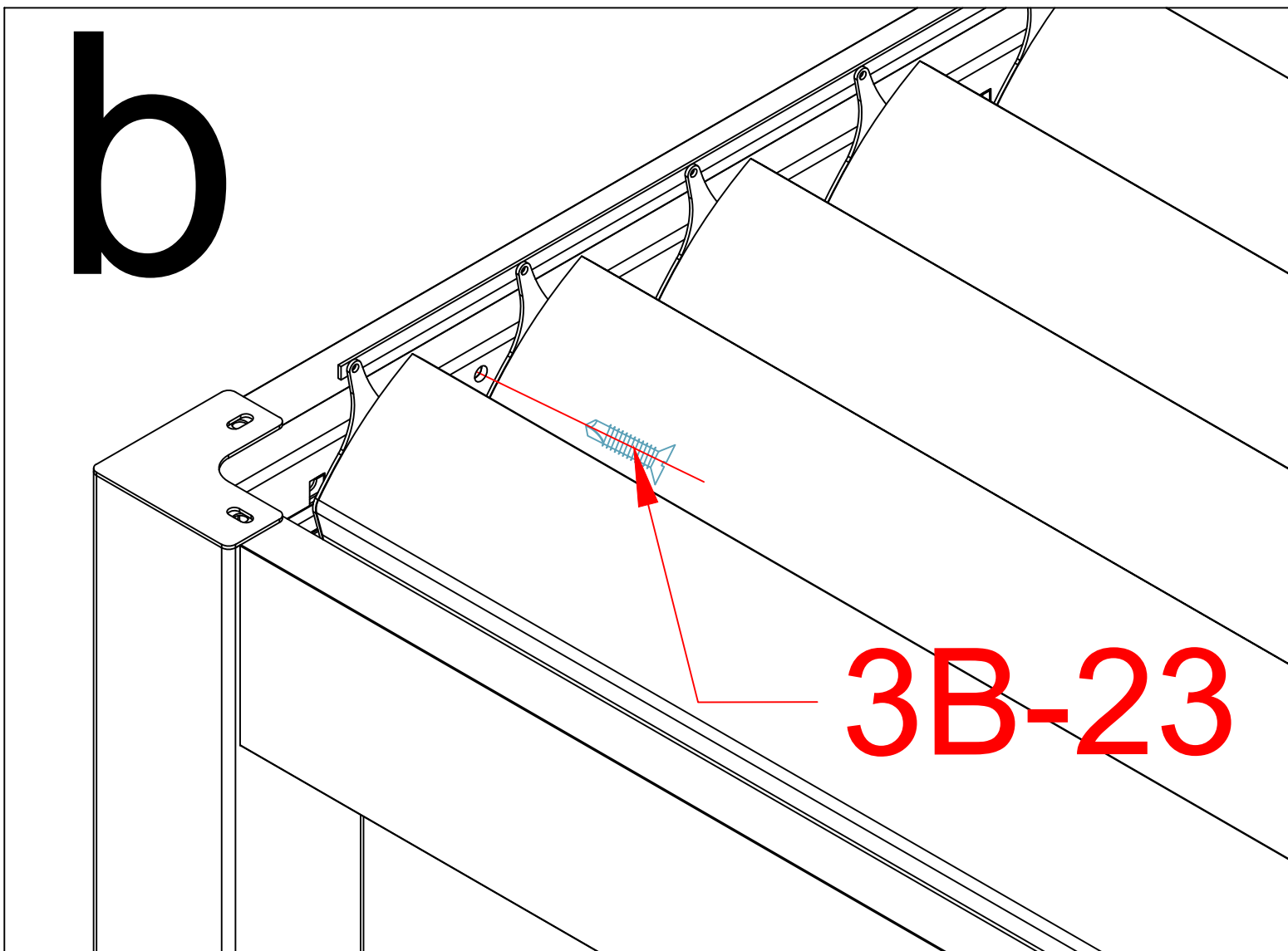
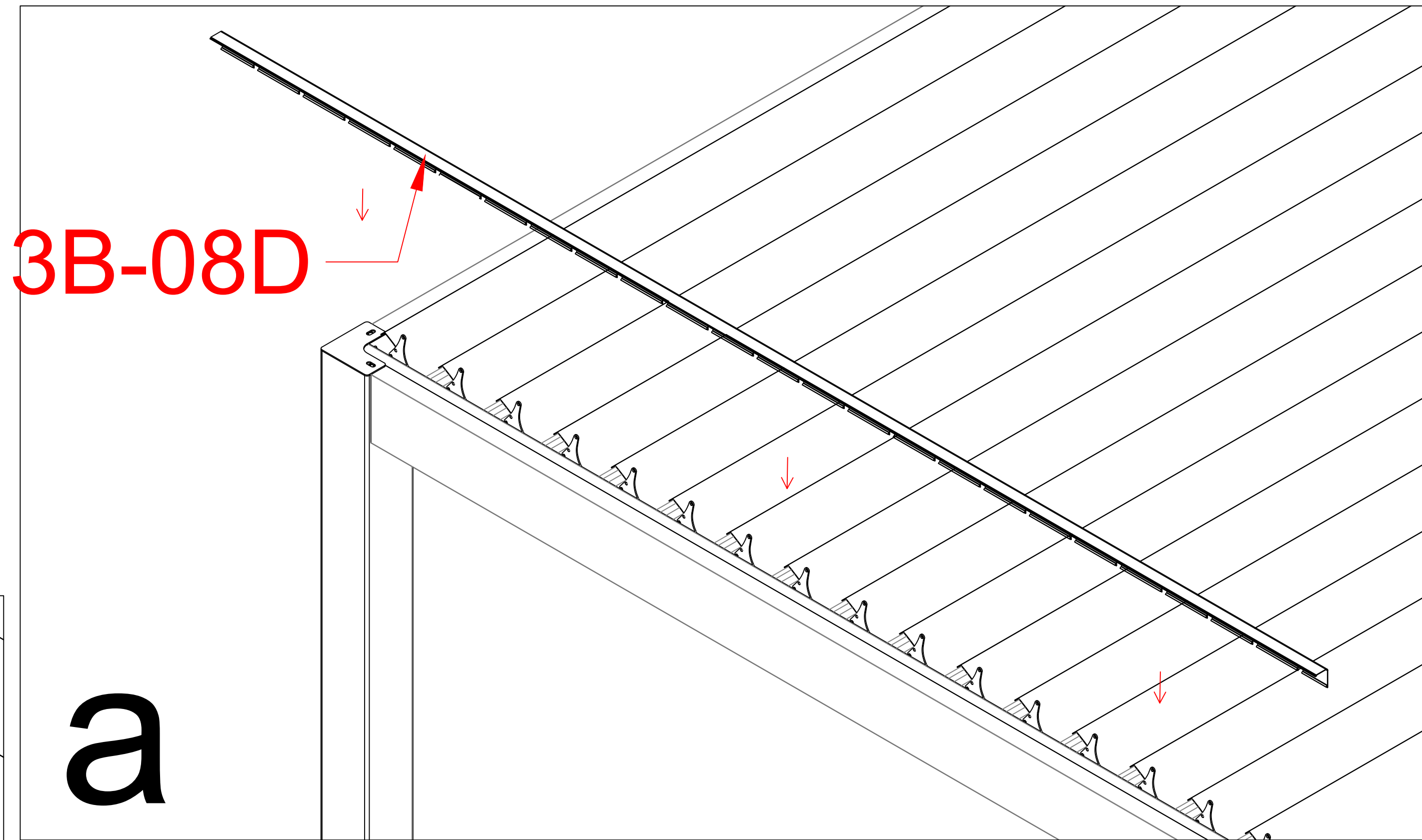
3B-06		2
-------	--	---

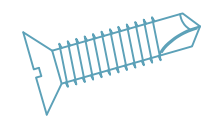
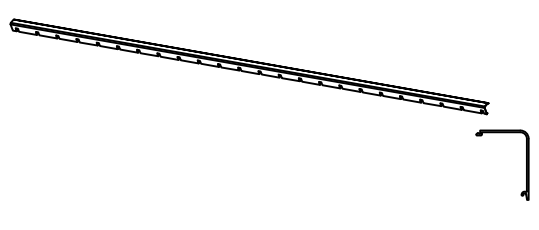
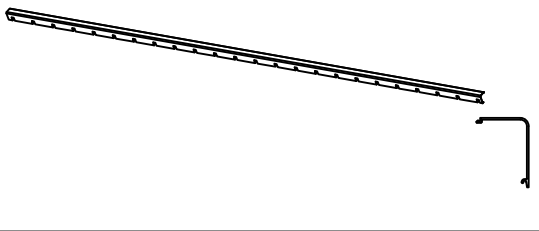
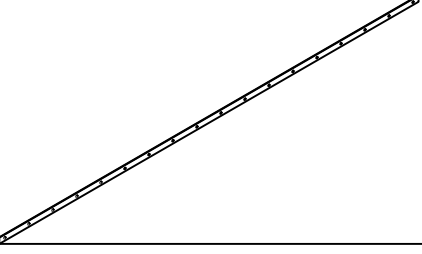
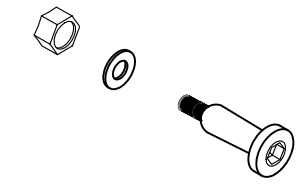


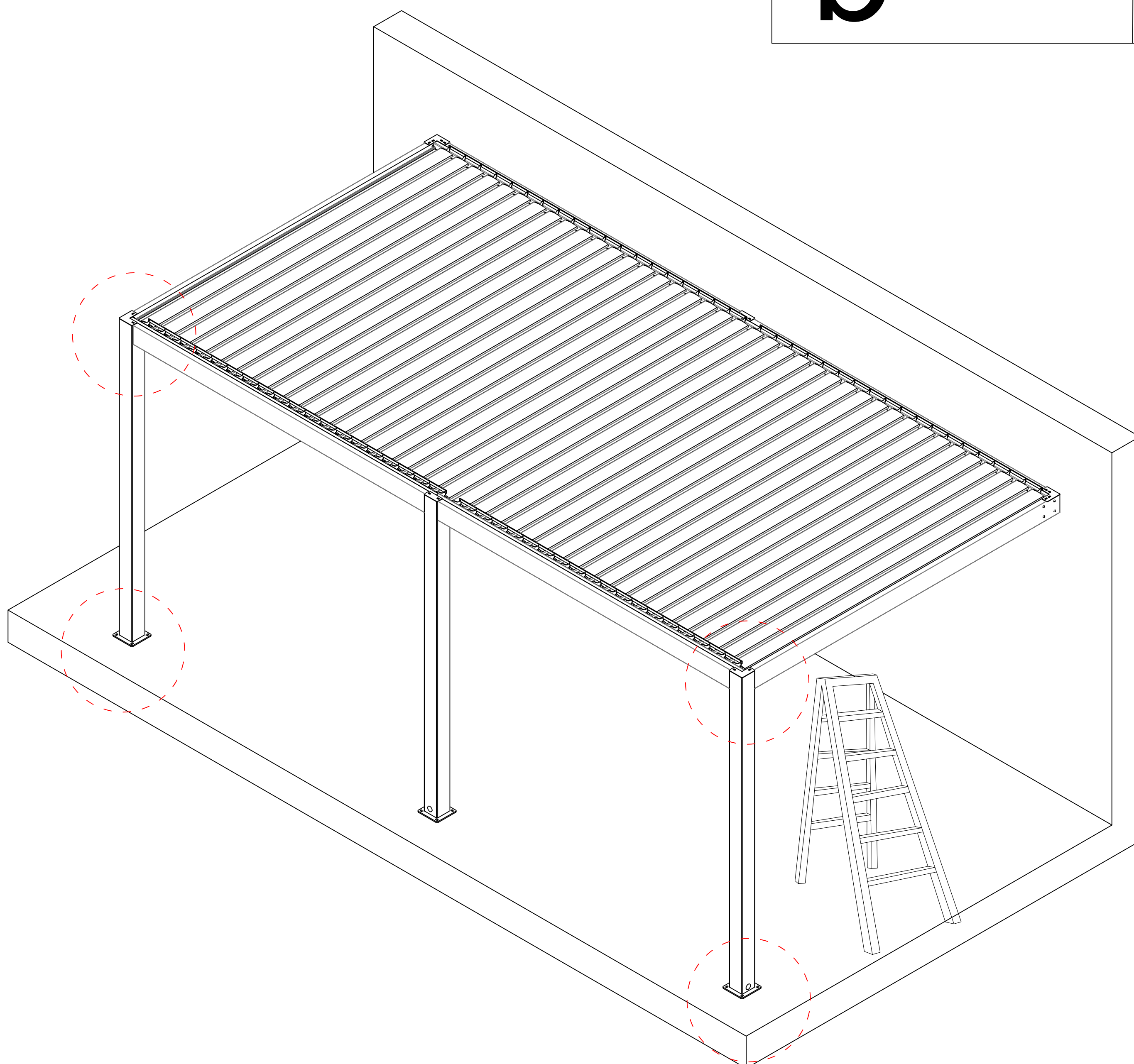
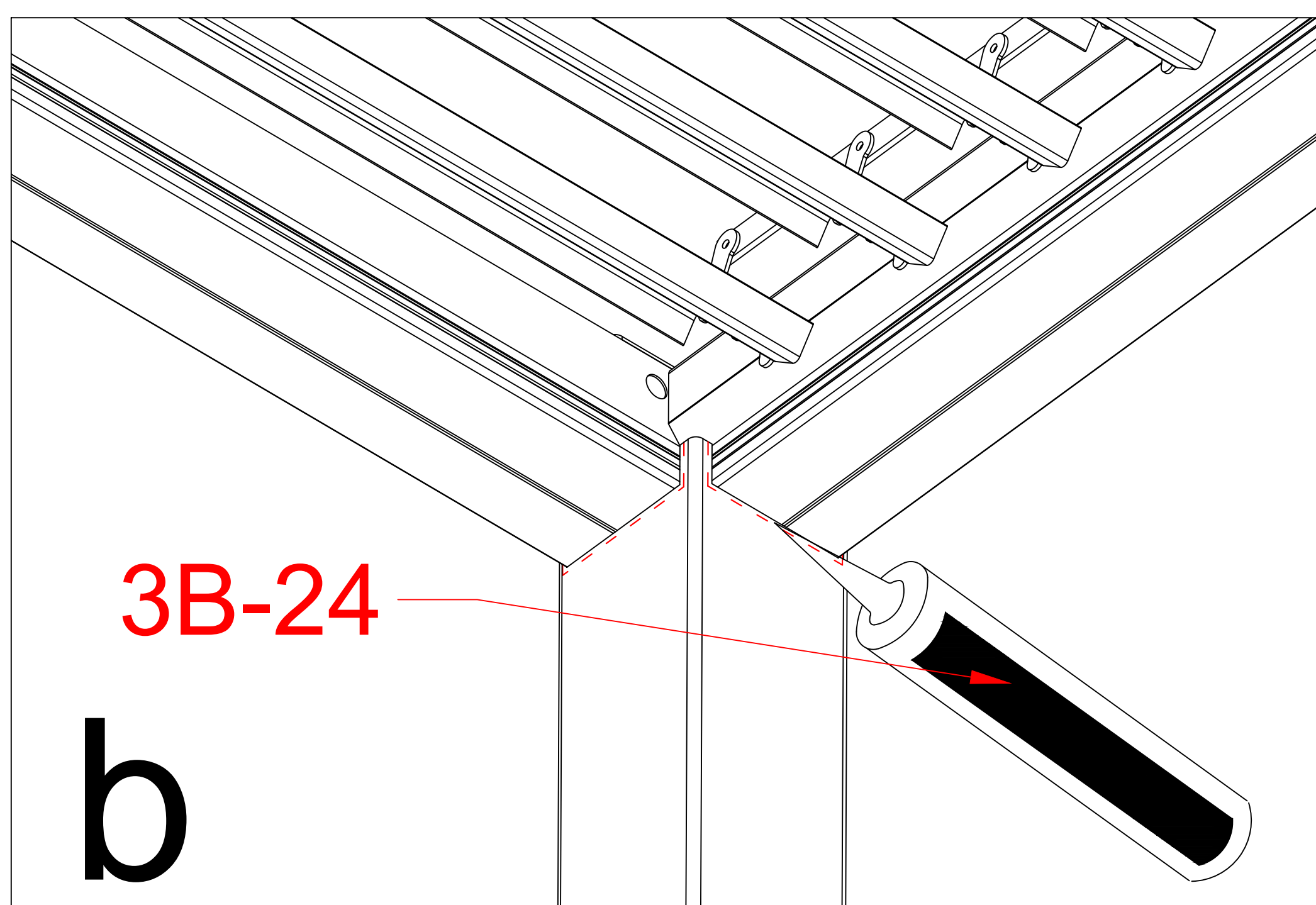
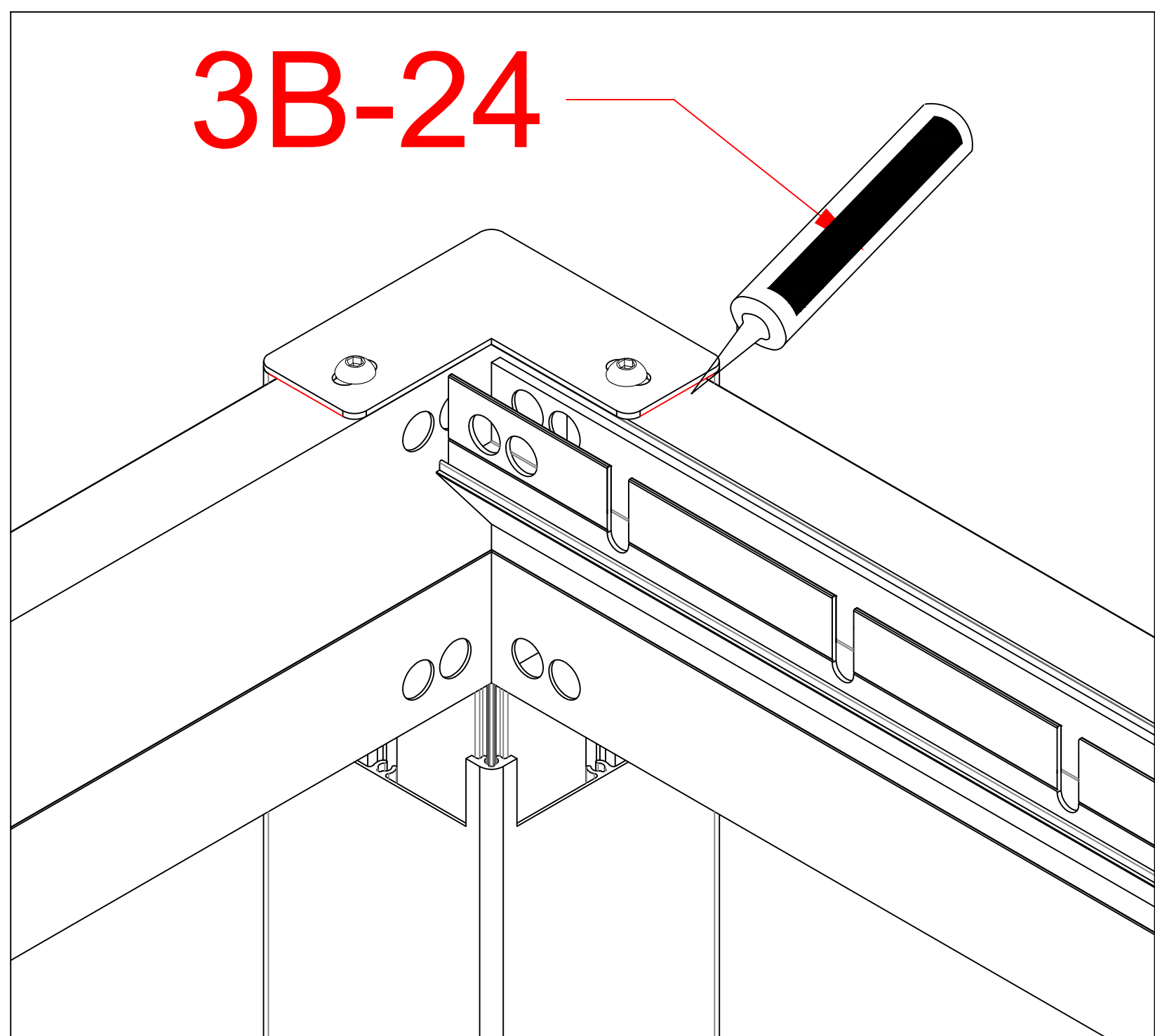


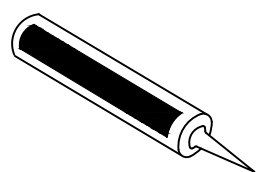
3B-09		2
3B-20		x
3B-06		x

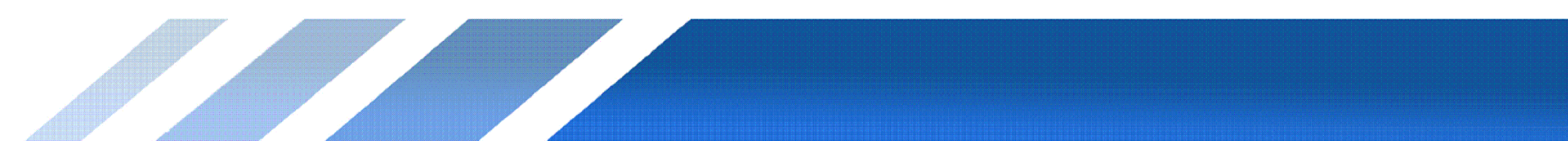




3B-23		20
3B-08B		1
3B-08A		1
3B-09		2
3B-20		53

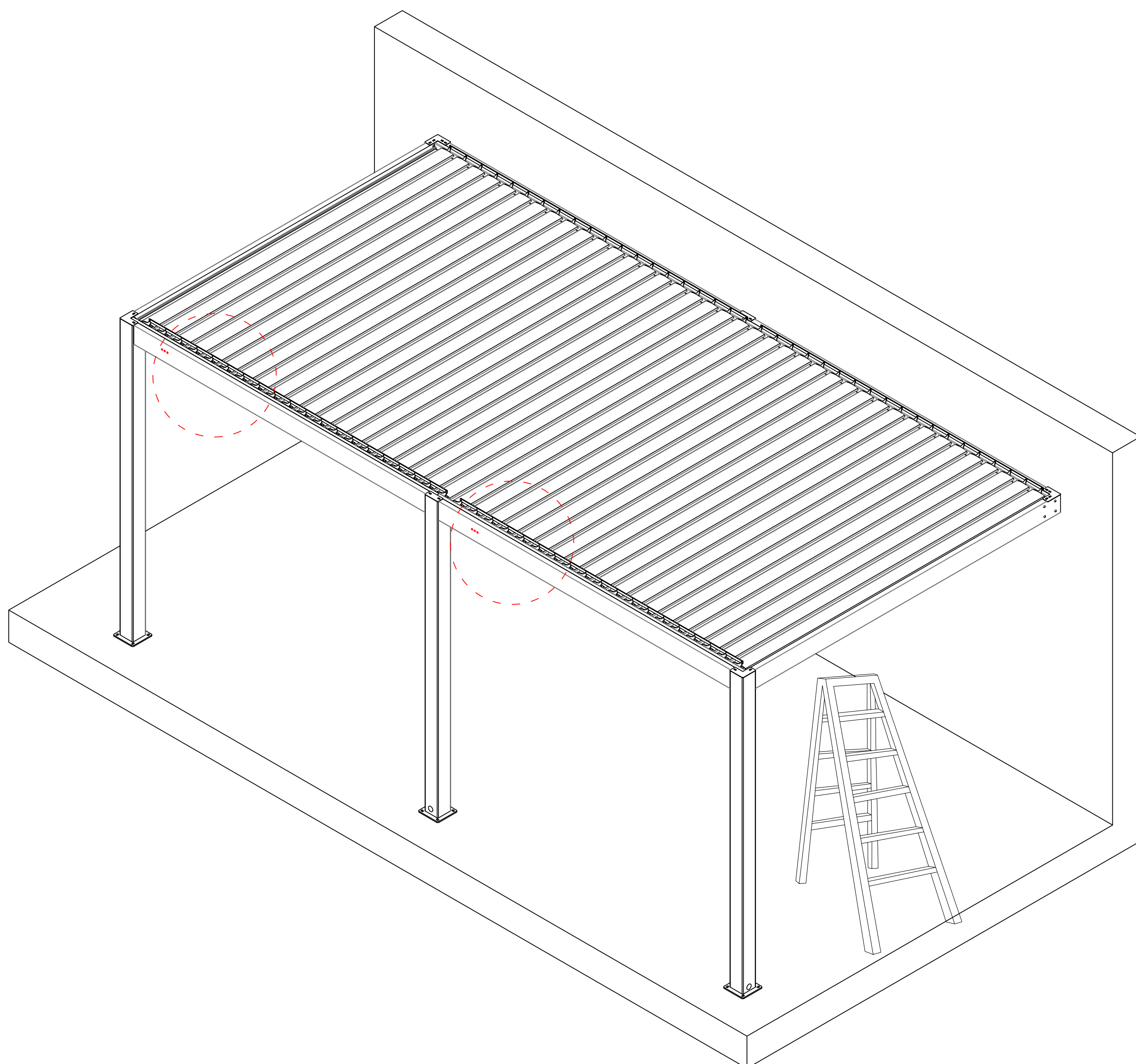
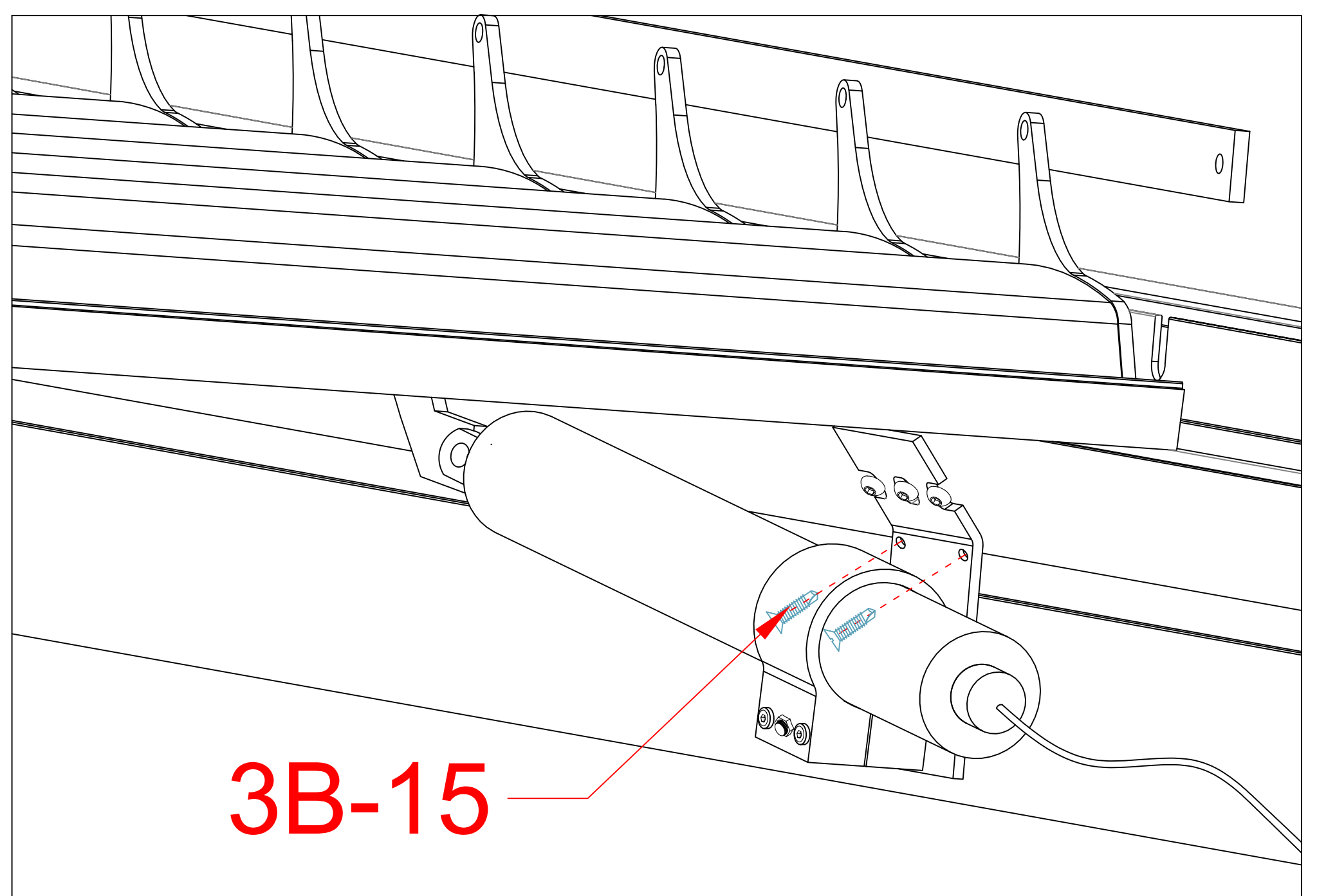
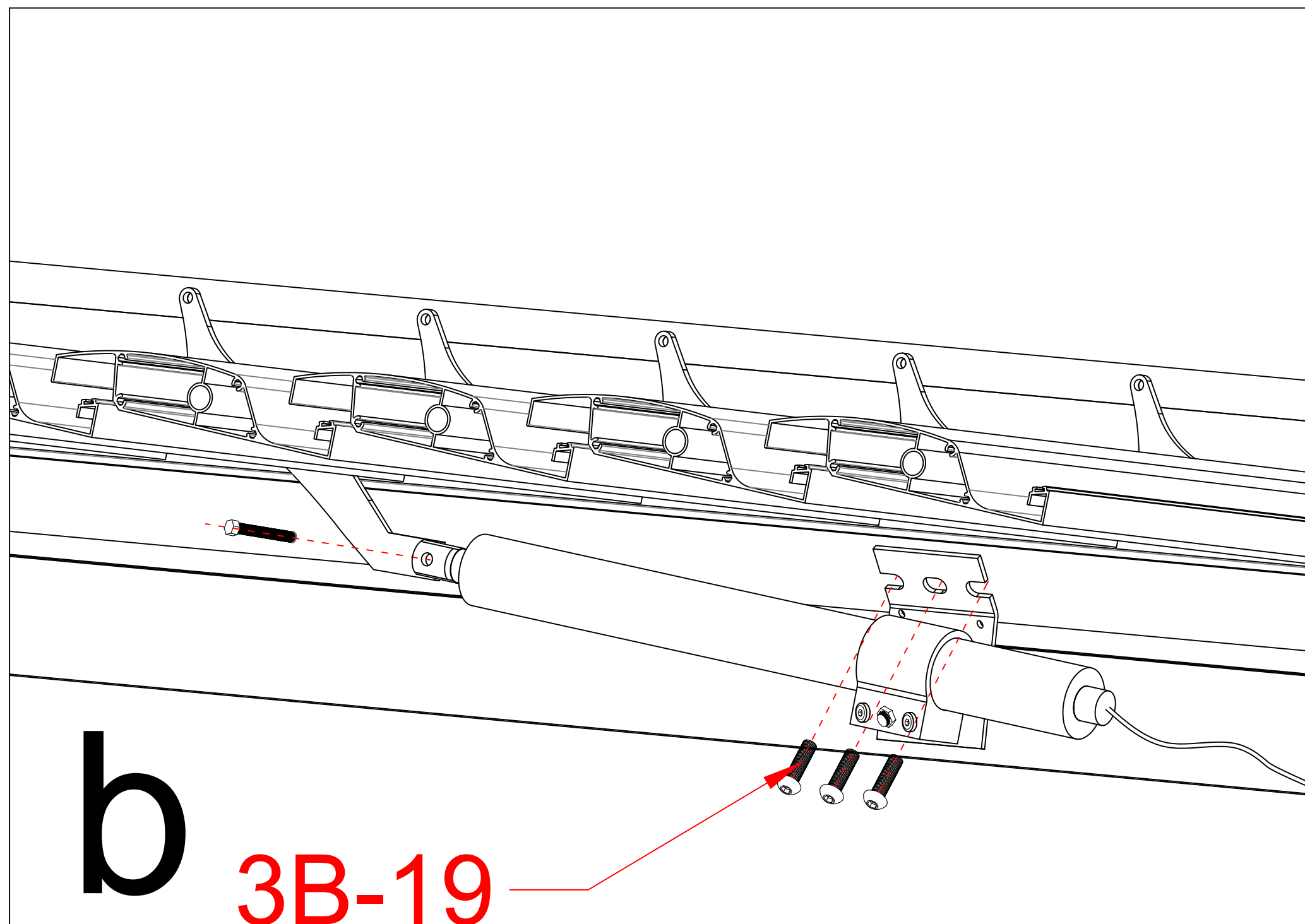
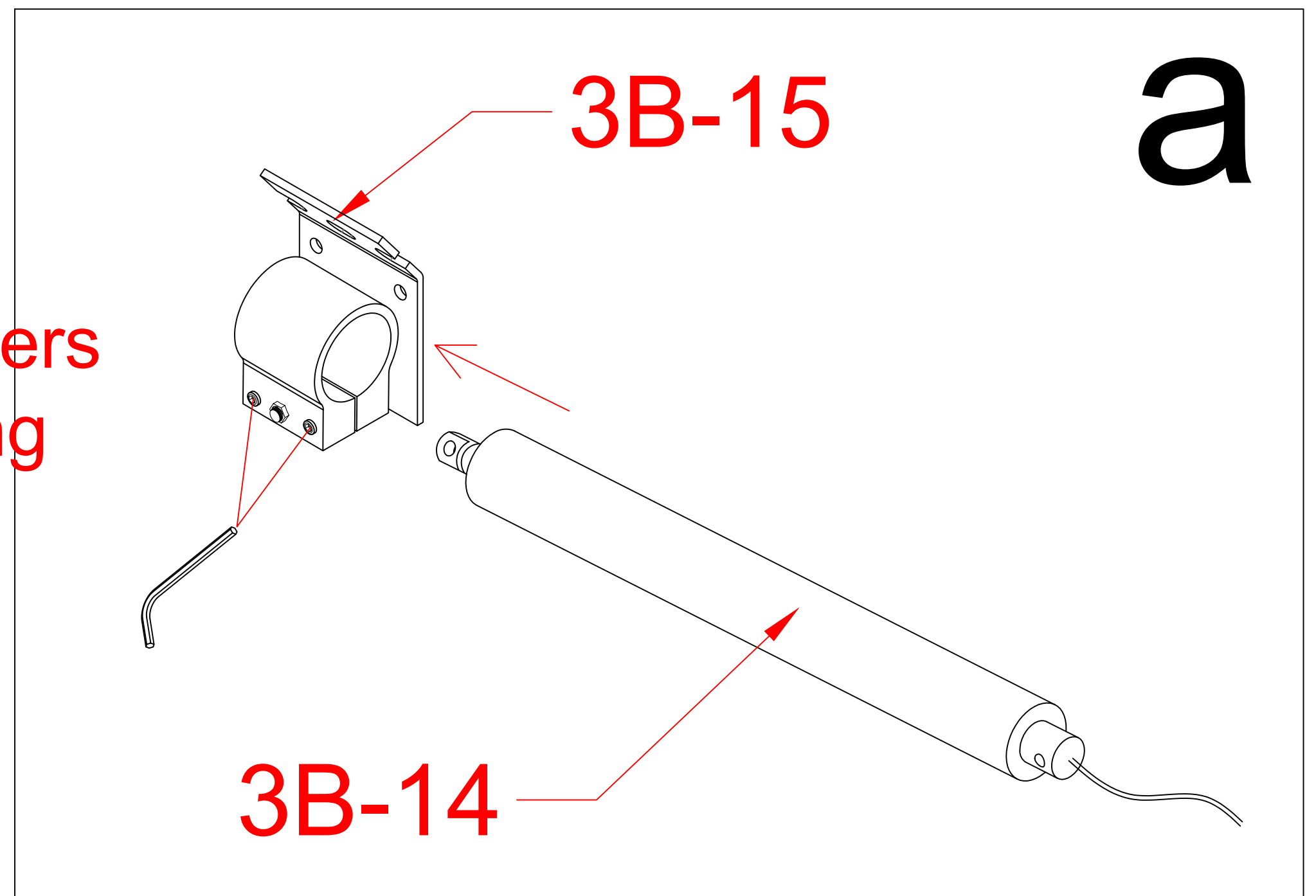


3B-24		1
-------	---	---

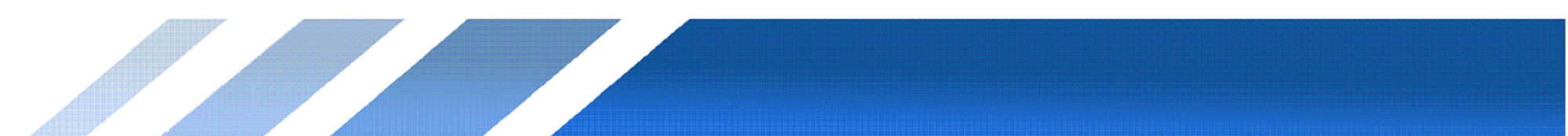




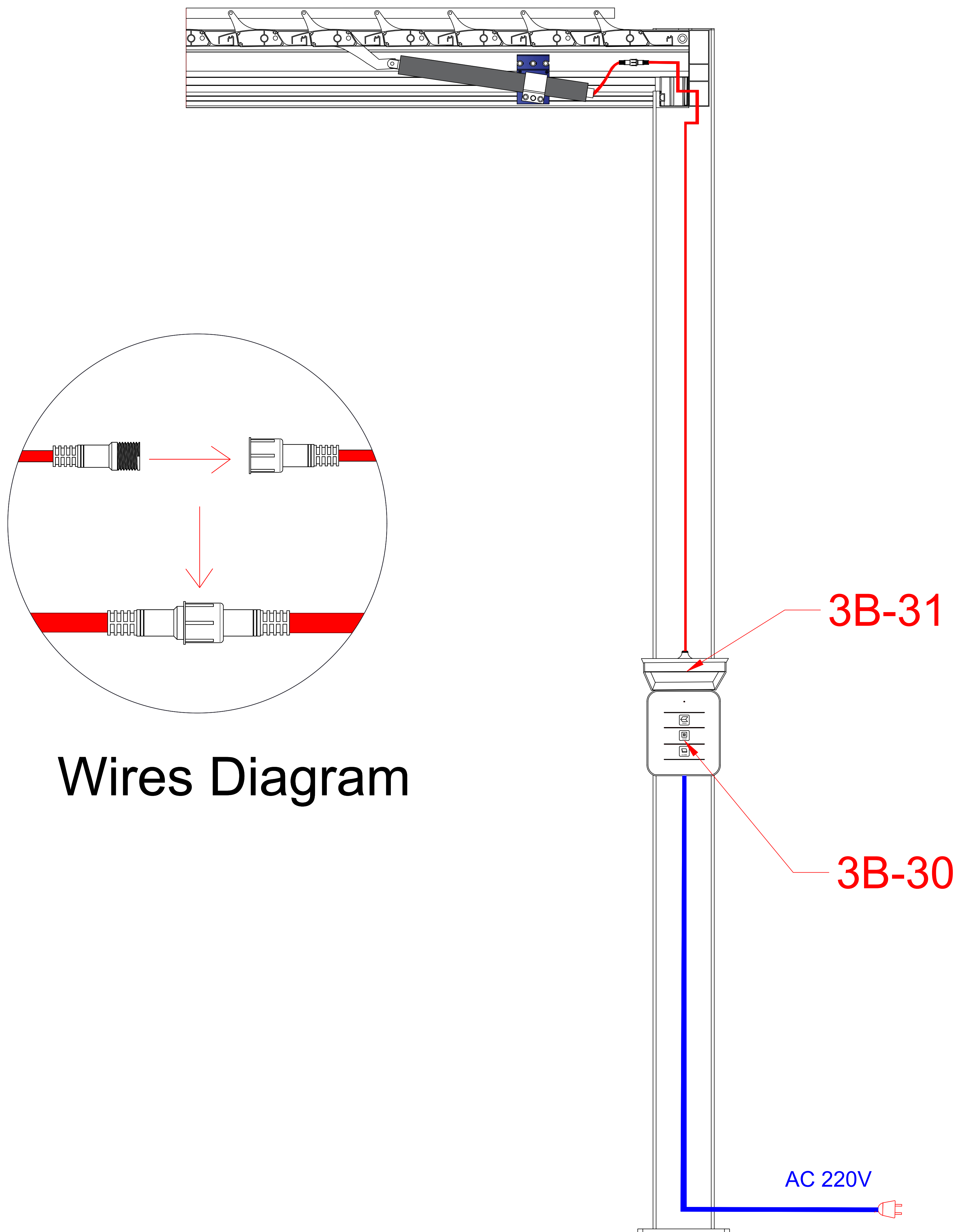
Warning
 In Snow / Wind season or in case of
 snow / wind forecast open up your shutters
 in vertical position to avoid any damaging
 on your pergola.




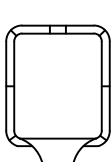
3B-14		2
3B-15		2
3B-19		6



Motor wires diagram

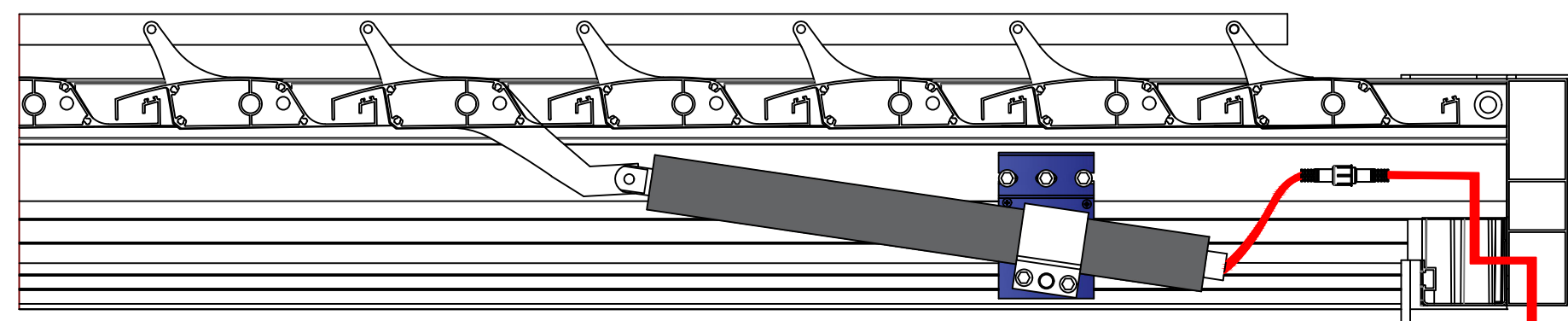


Wires Diagram

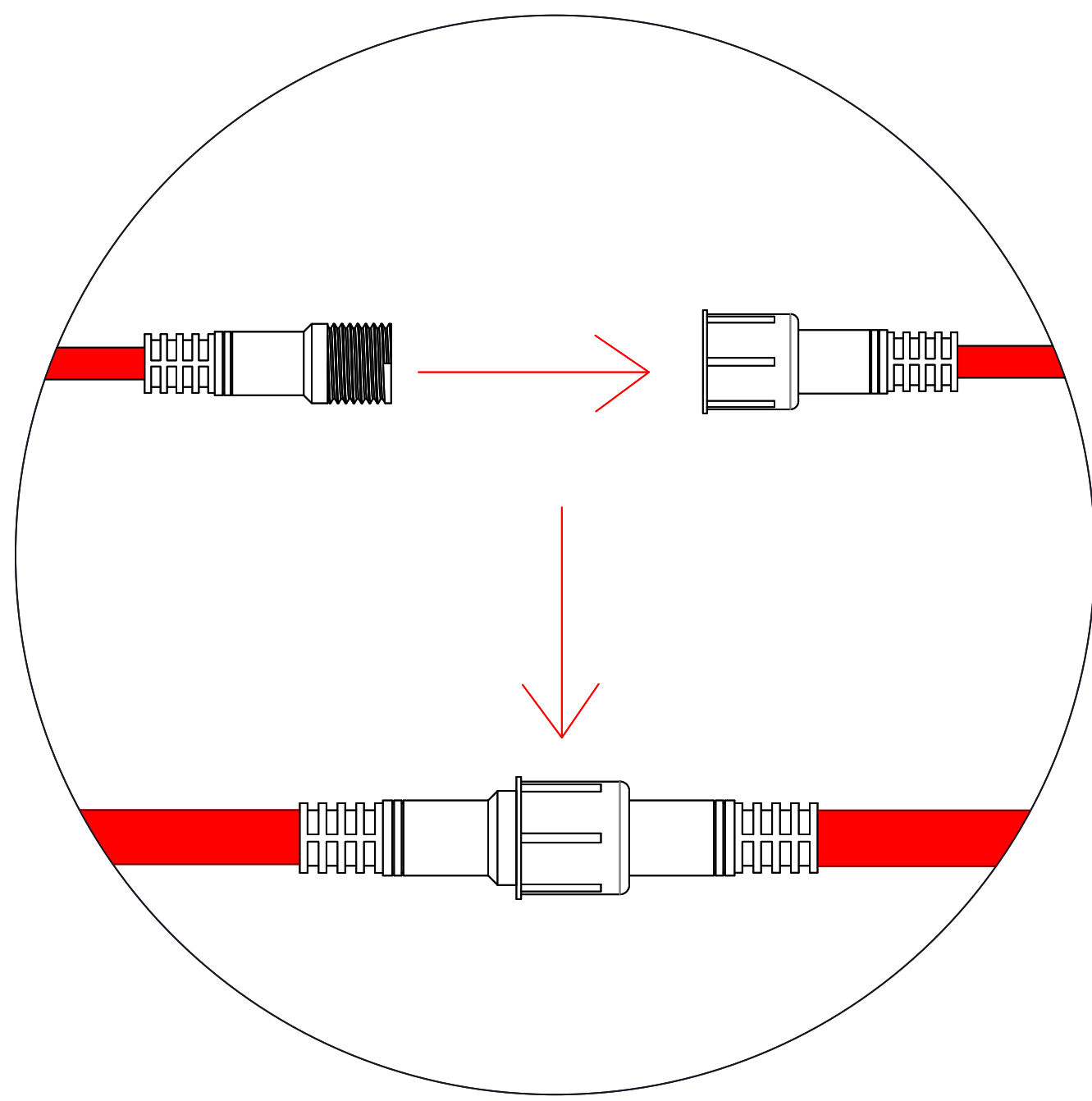
3B-30		2
3B-31		2



Motor wires diagram

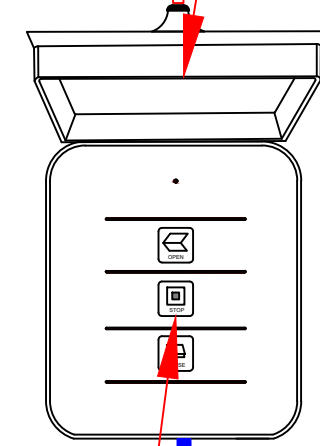


The threading mode that the control box is not on the column



Wires Diagram

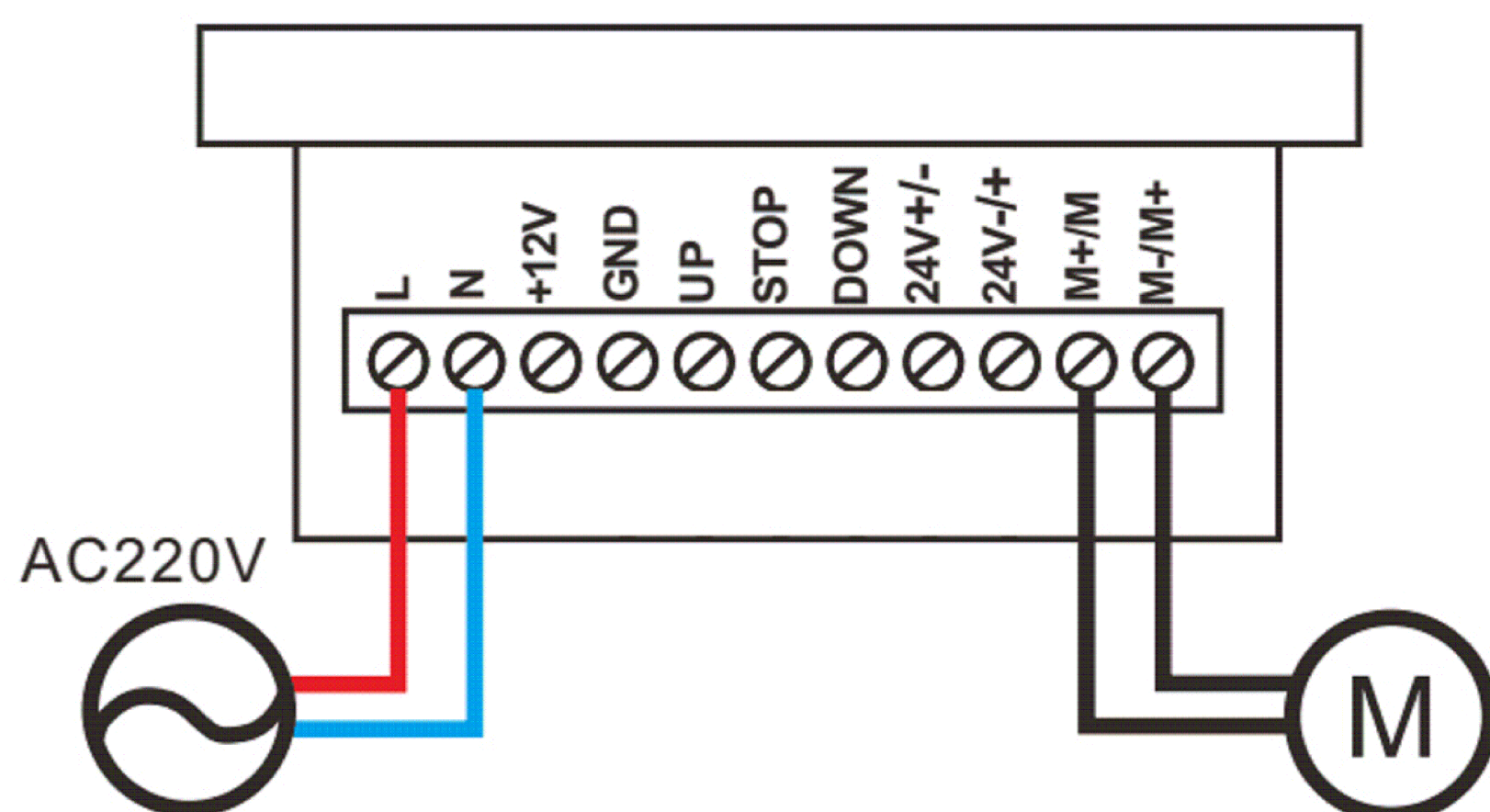
MOTOR 3B-31



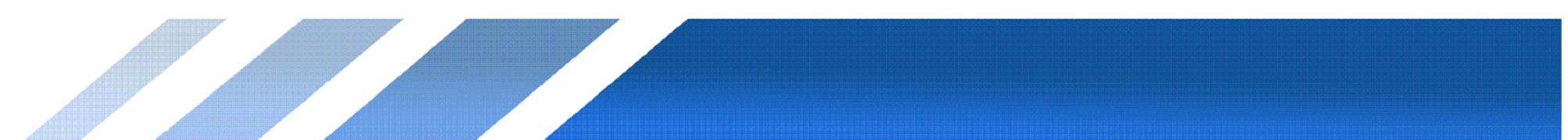
3B-30

AC 220V

E022
E012

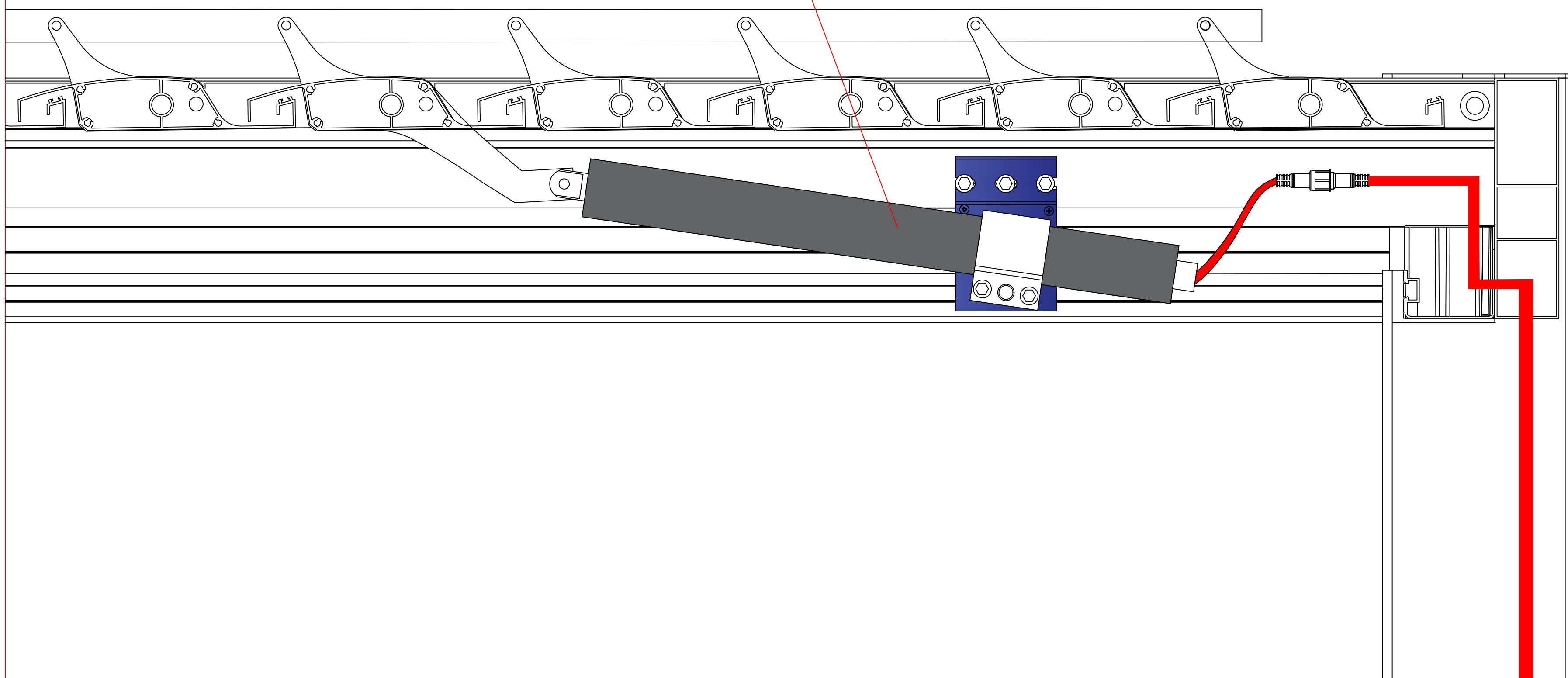


3B-30		2
3B-31		2





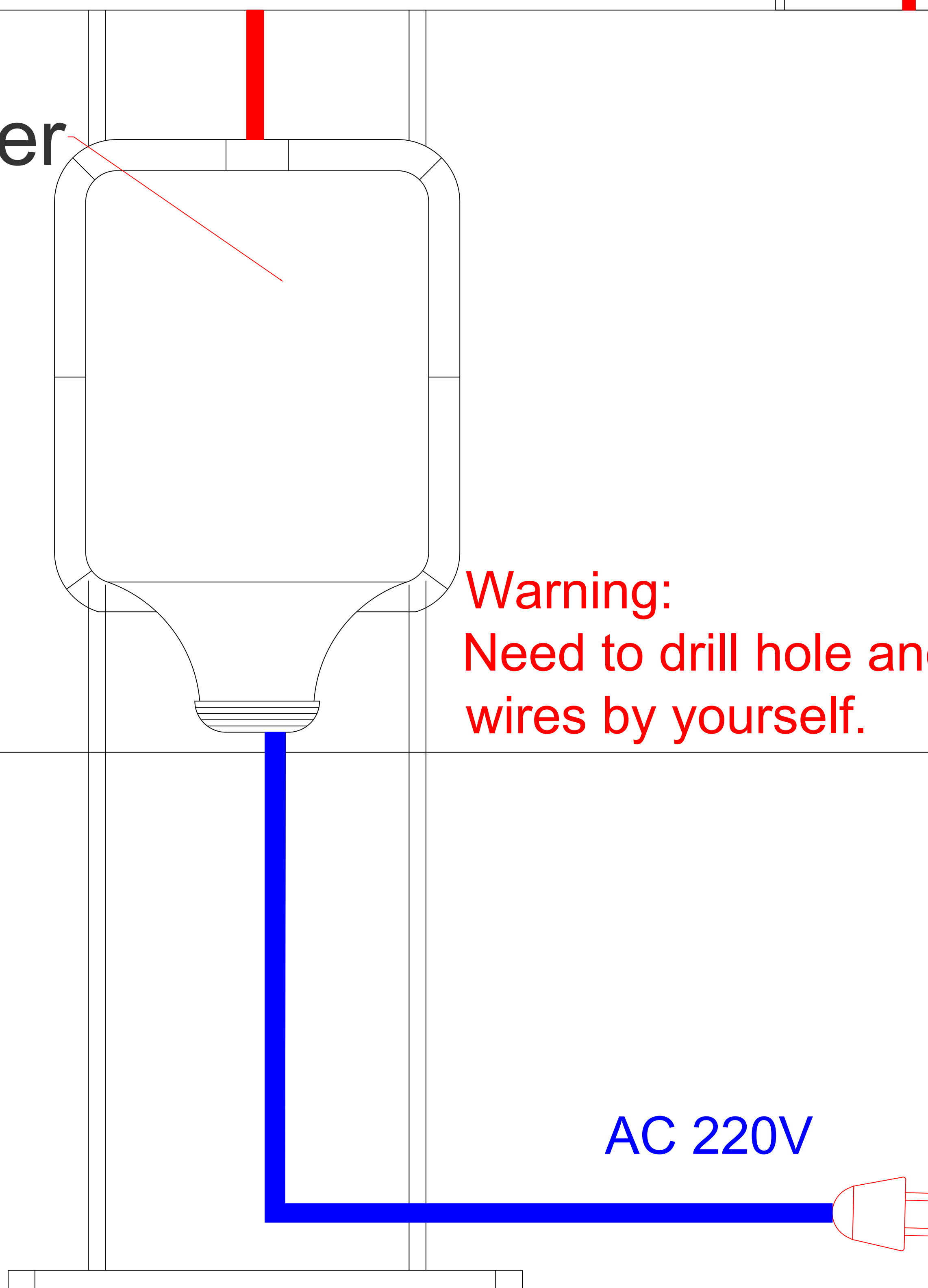
Motor



Motor controller

Power in: 220V
Power Out To
Motor: DC24V

Warning:
Need to drill hole and put
wires by yourself.



AC 220V

Warning:
Need to drill hole and put
wires by yourself.

