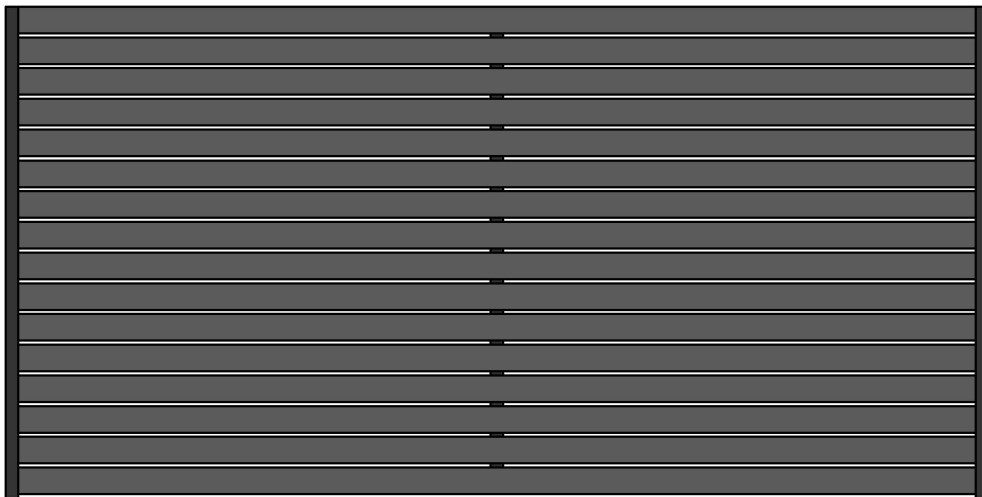
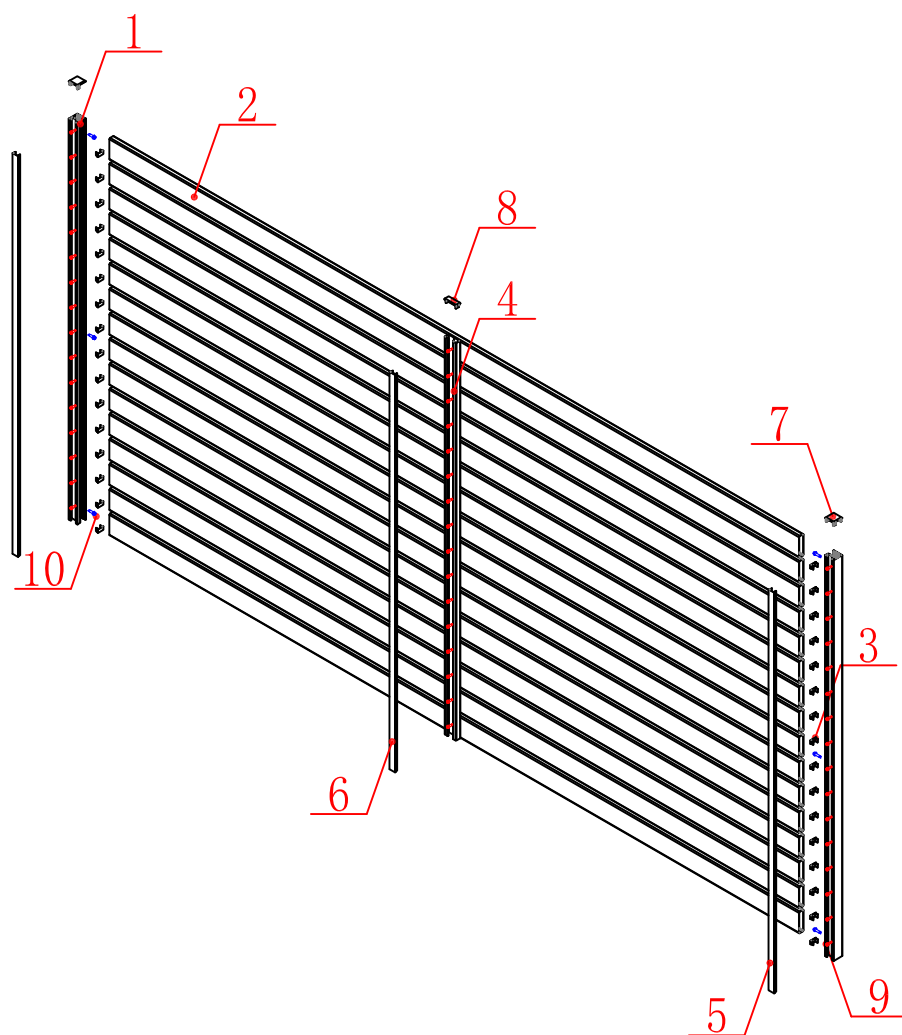
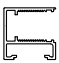
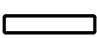

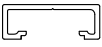

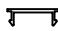



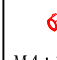



## How To - INSTALLATION GUIDE



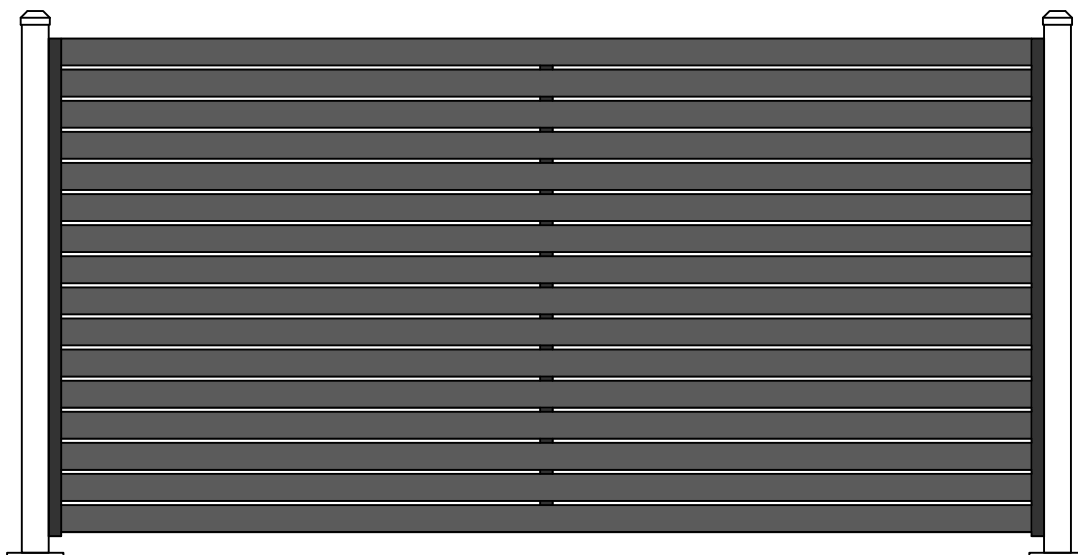
HORIZONTAL SLAT FENCE



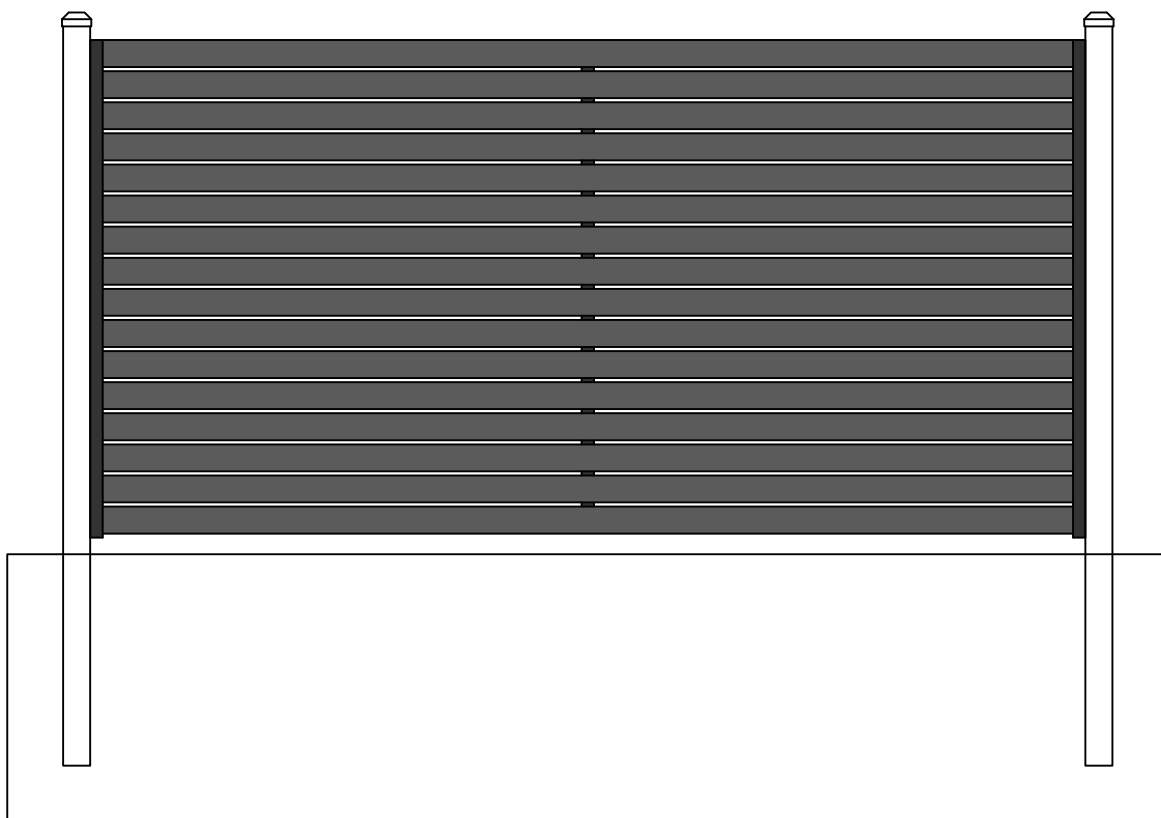
NO.	1	2	3	4	5	6	7	8	9	10
COMPONENTS							  L R		 M4*16mm	 M5*20mm



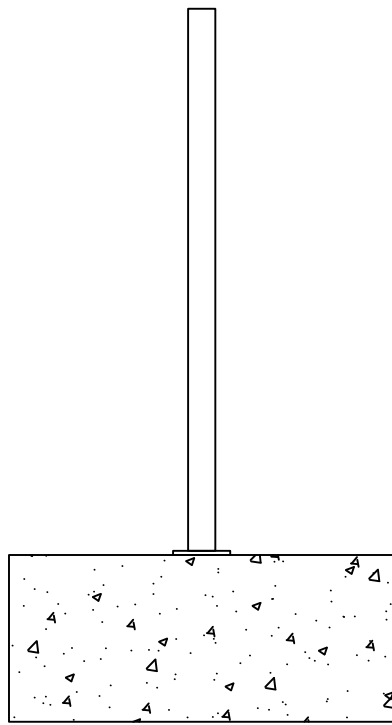
3-5



6-8

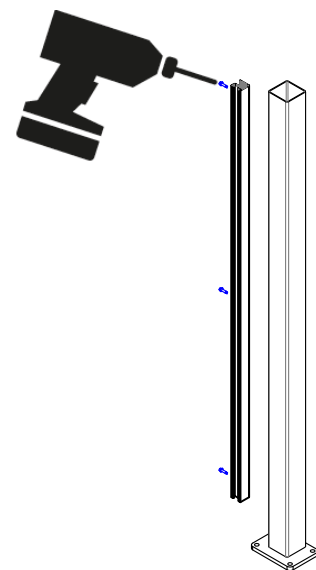
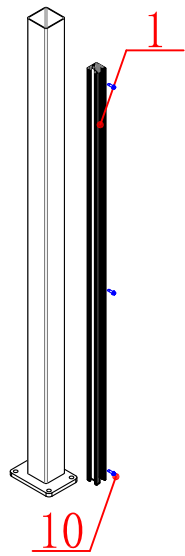


Step 1

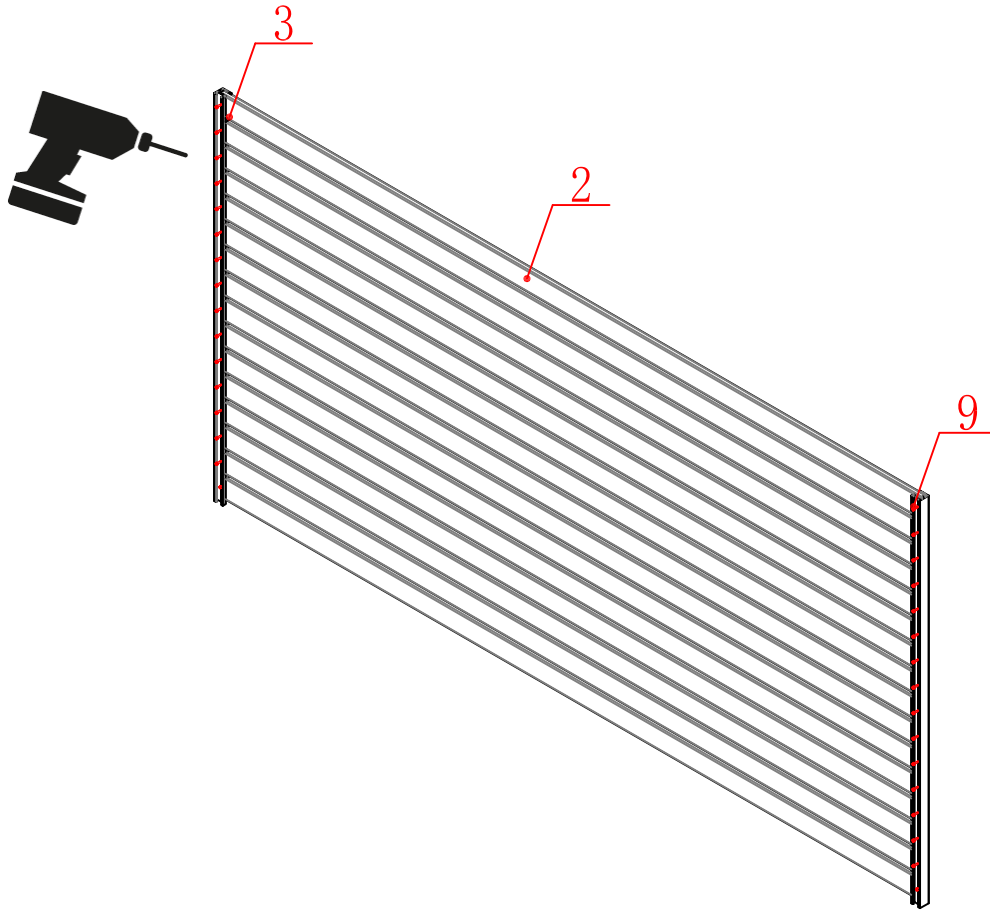


Aluminium flanged post

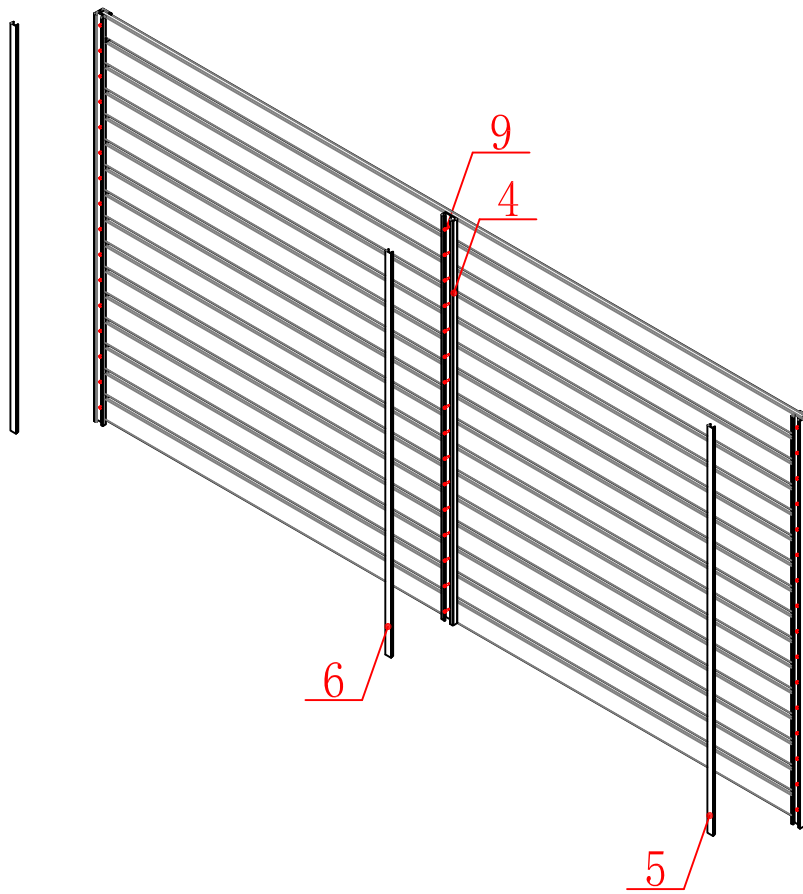
Step 2



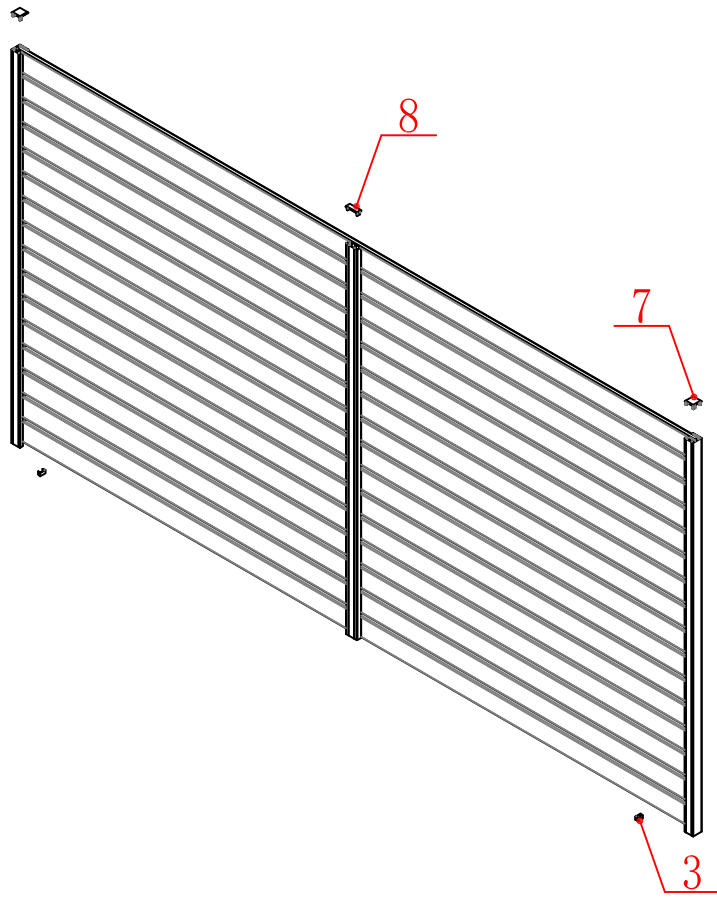
Step 3



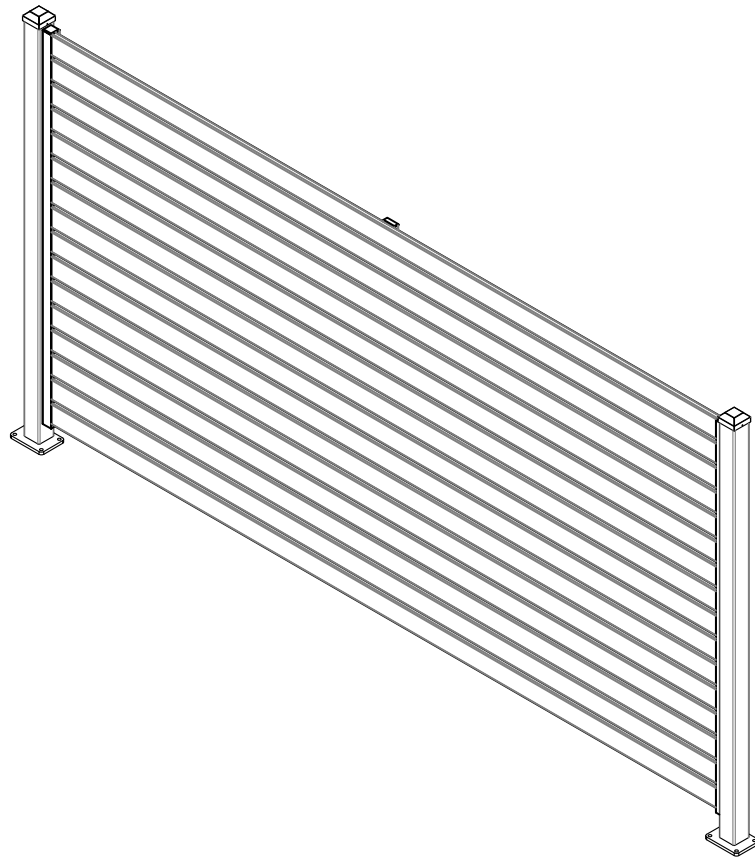
Step 4



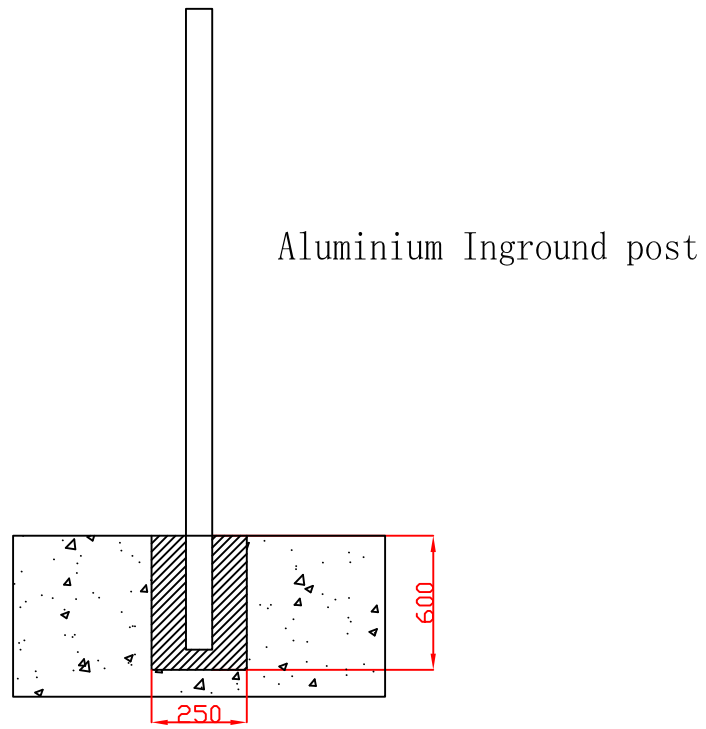
Step 5



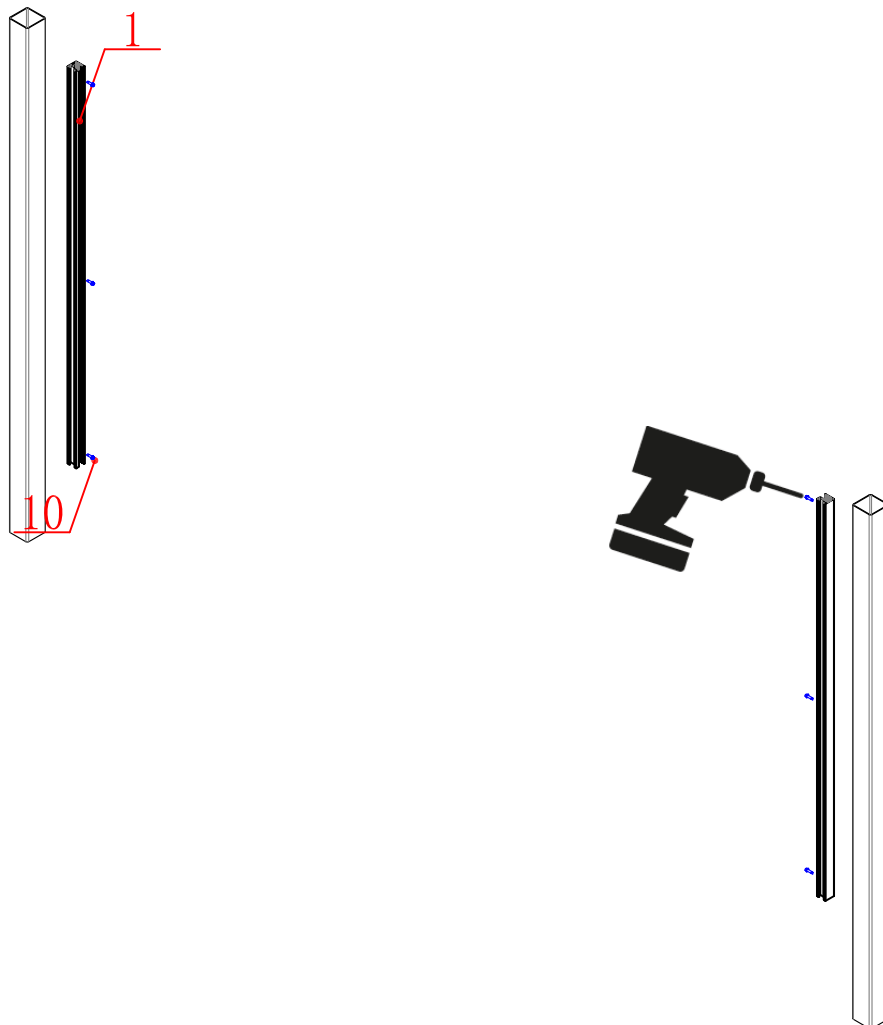
Step 6



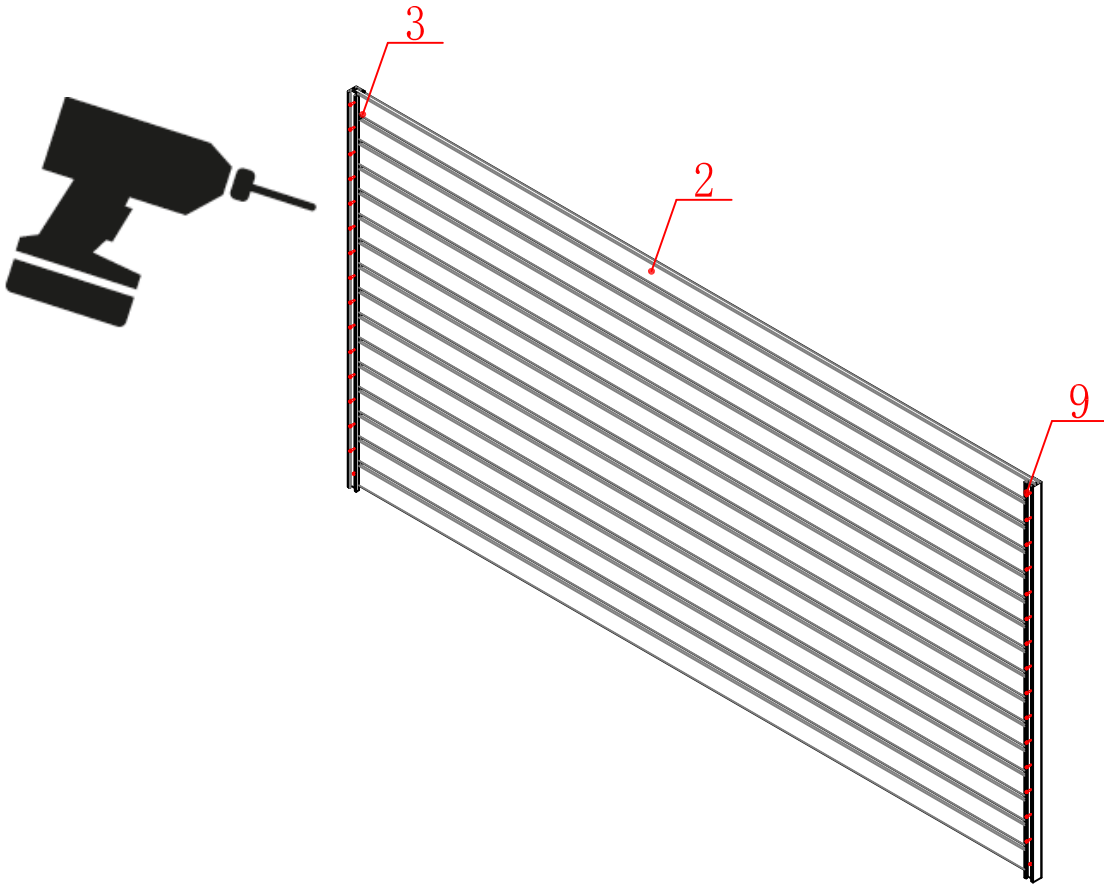
Step 1



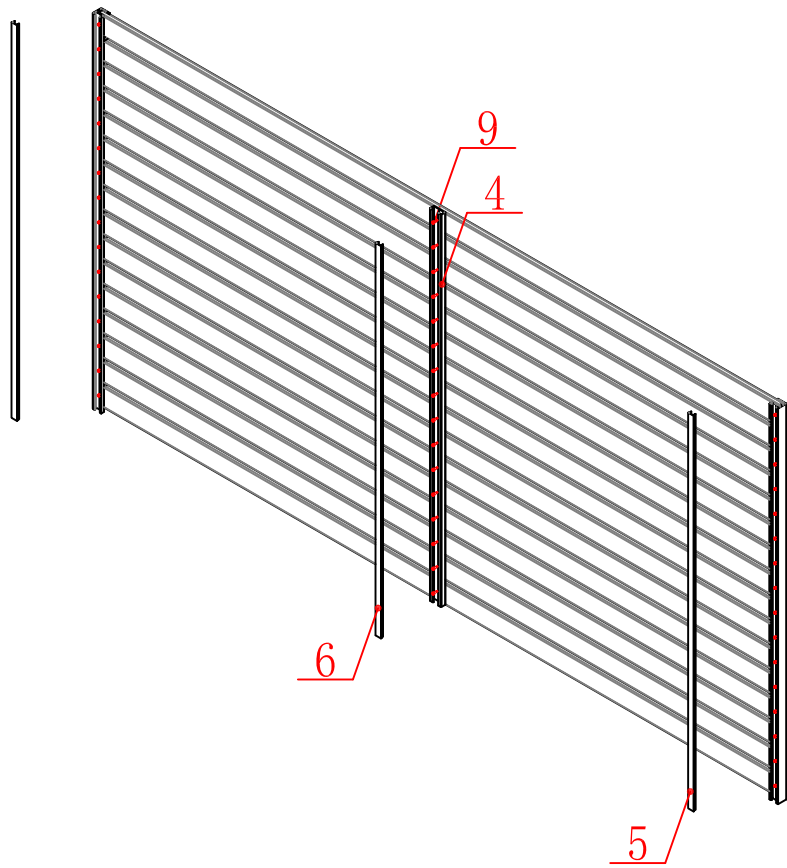
Step 2



Step 3

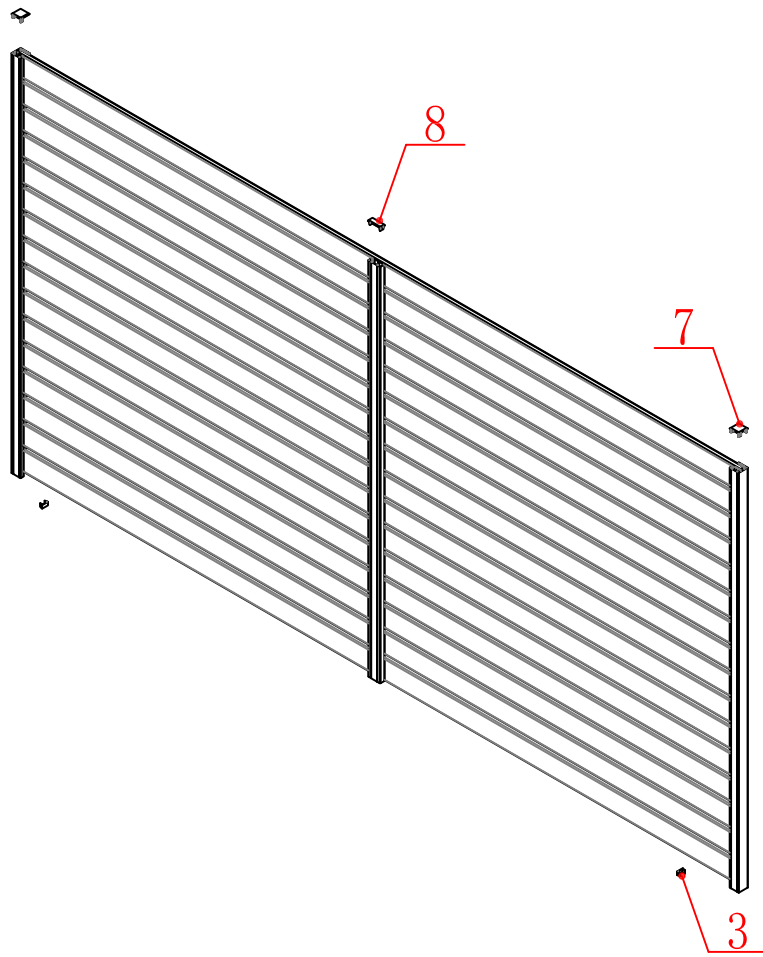


Step 4





Step 5



Step 6

