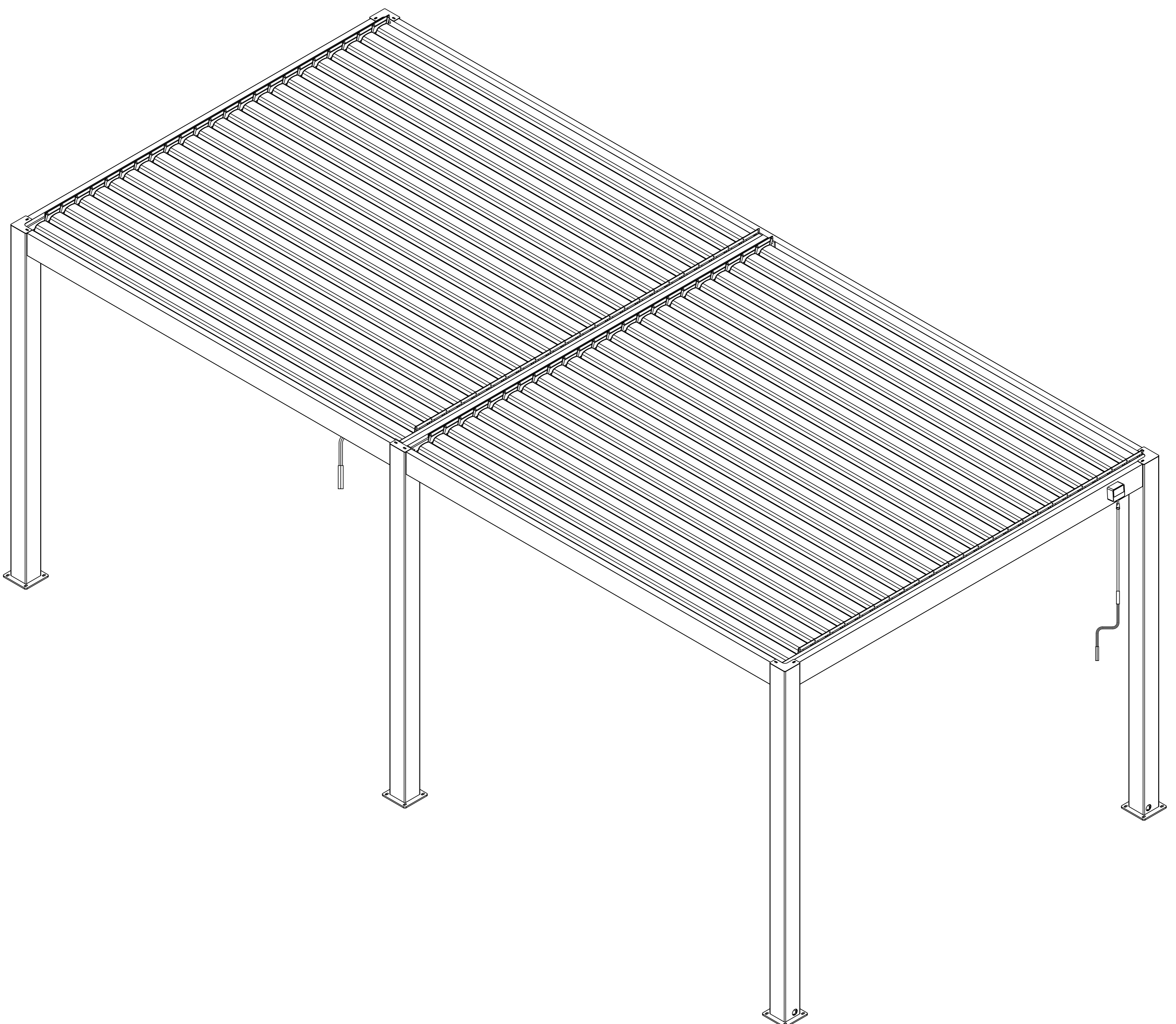


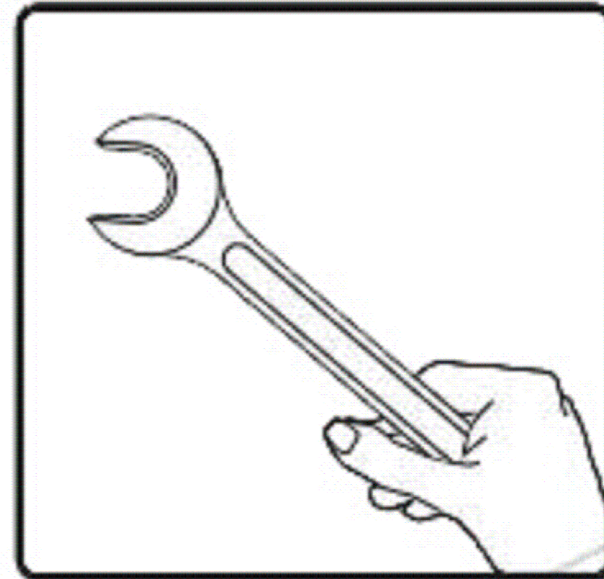
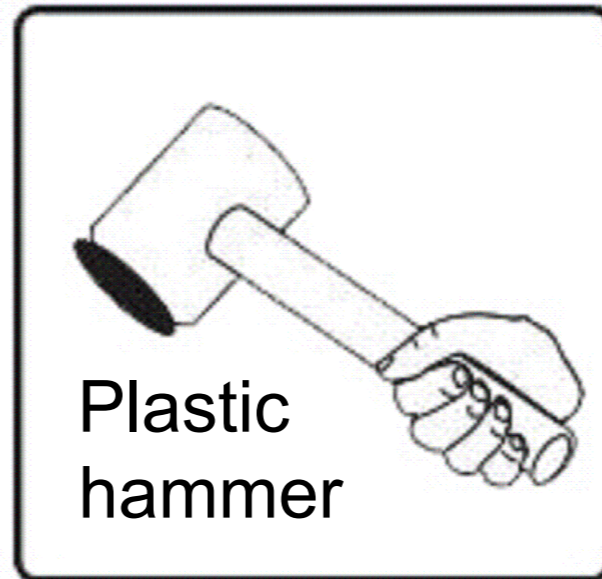
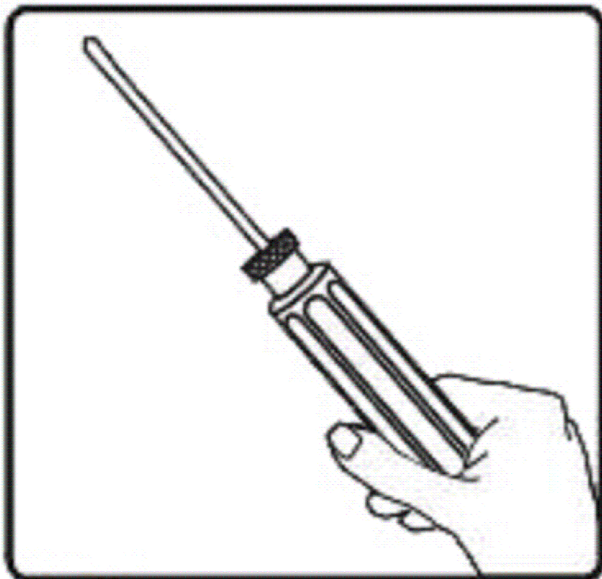
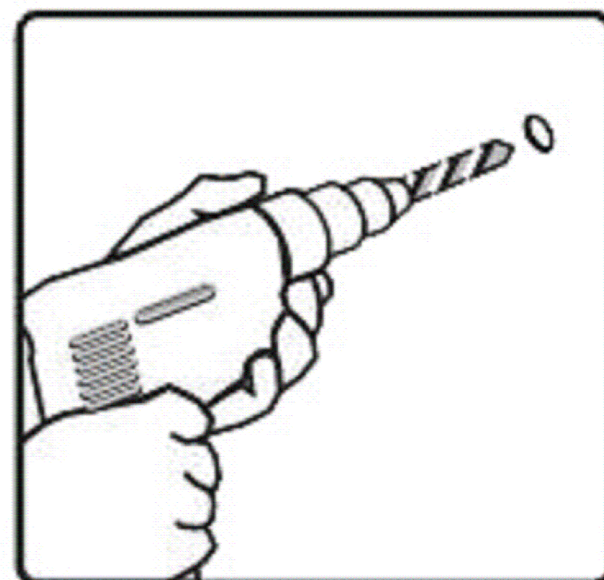
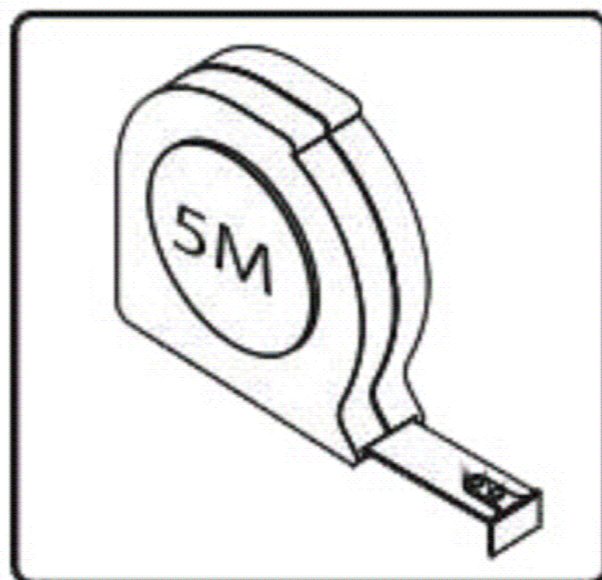
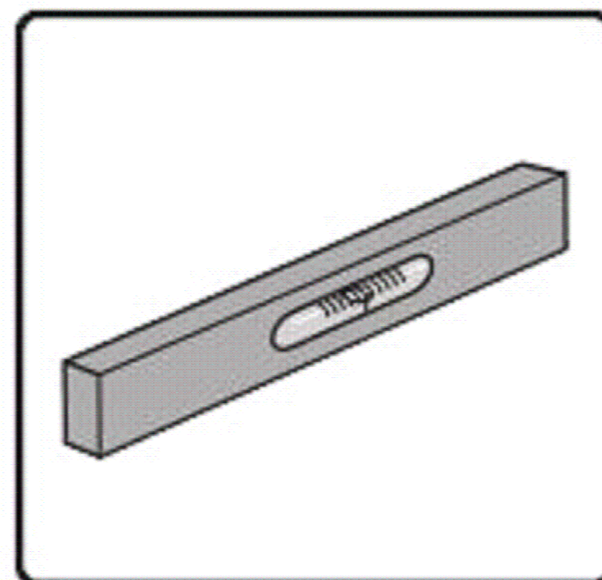
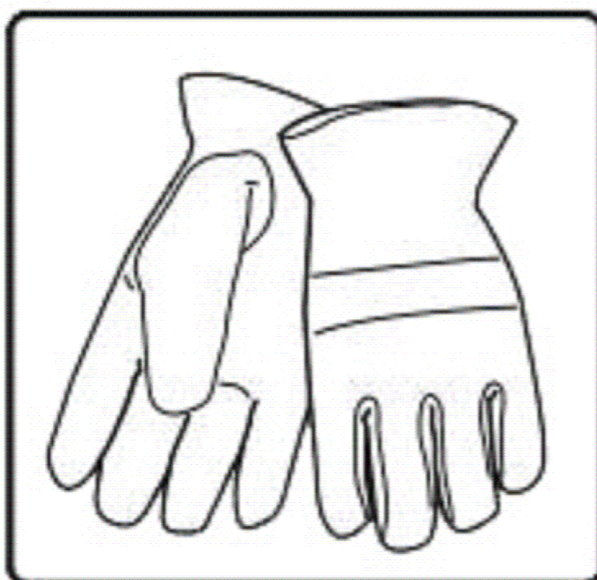
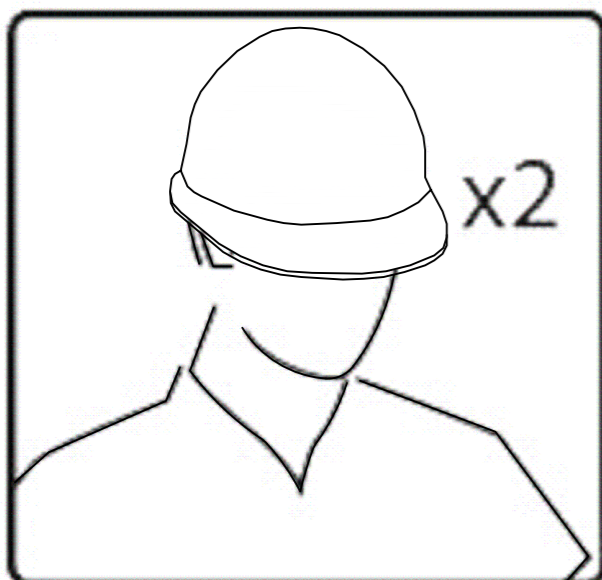
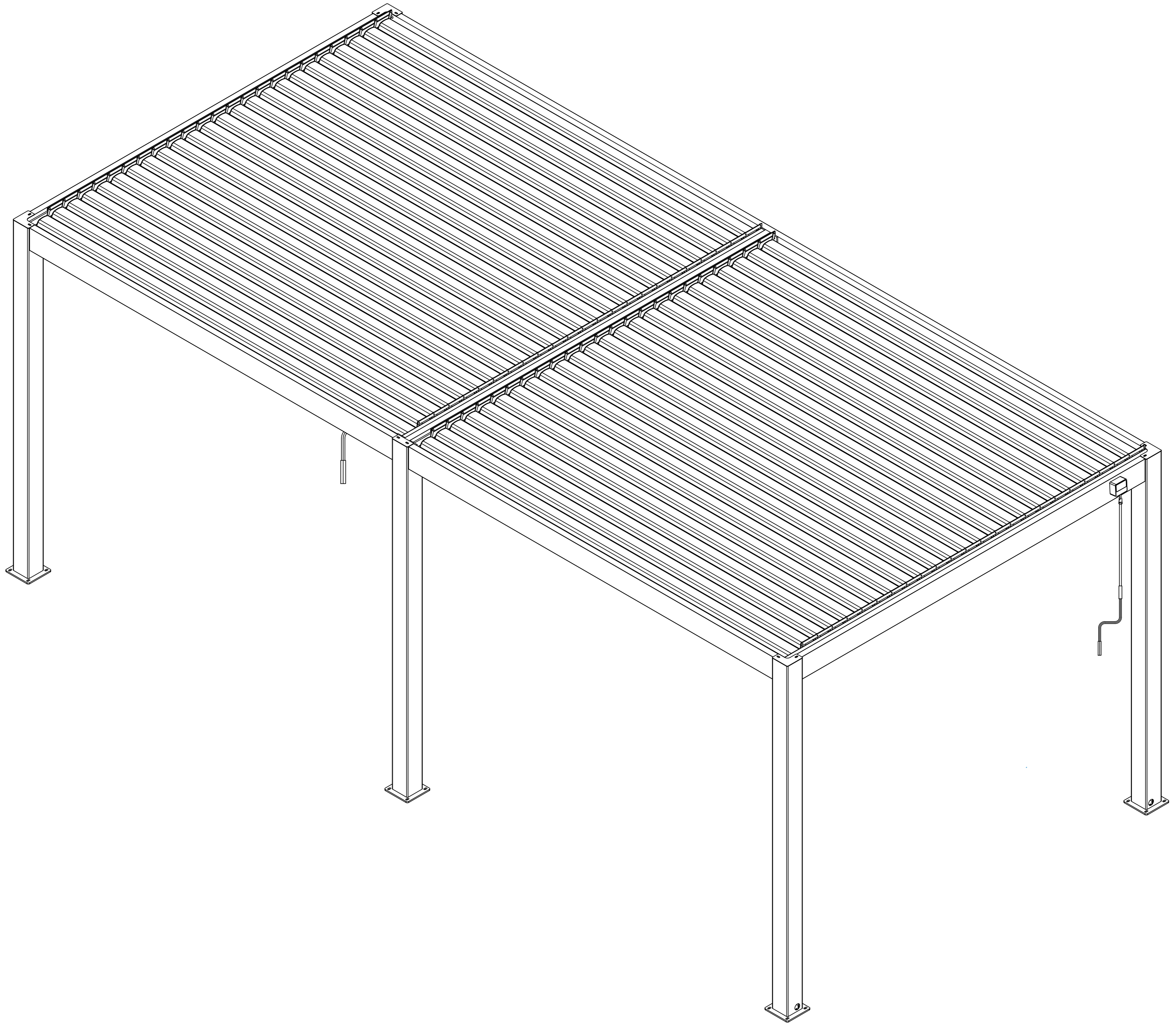


QUEEN PERGOLA FREE STANDING 6 POSTS

4x6m



4×6m

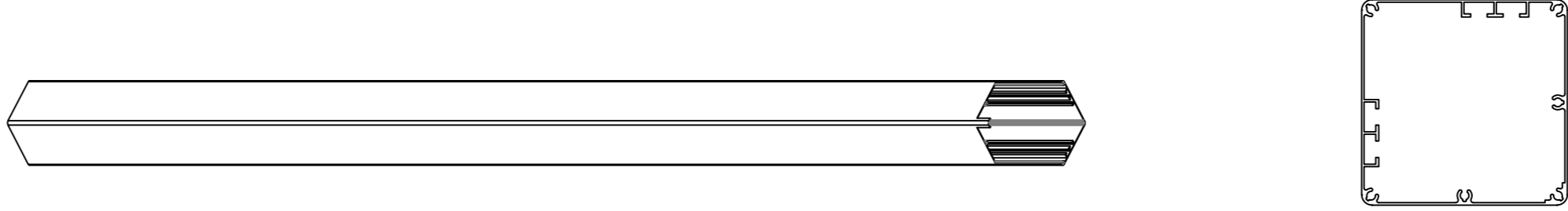
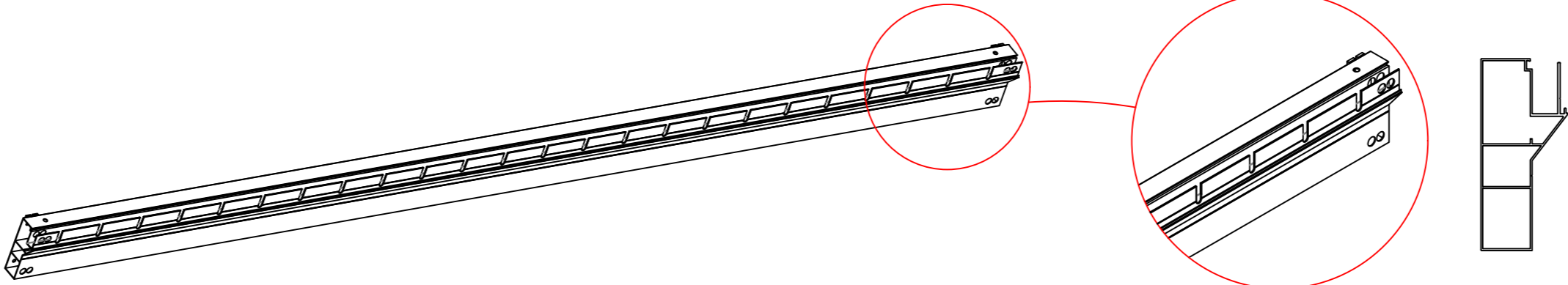
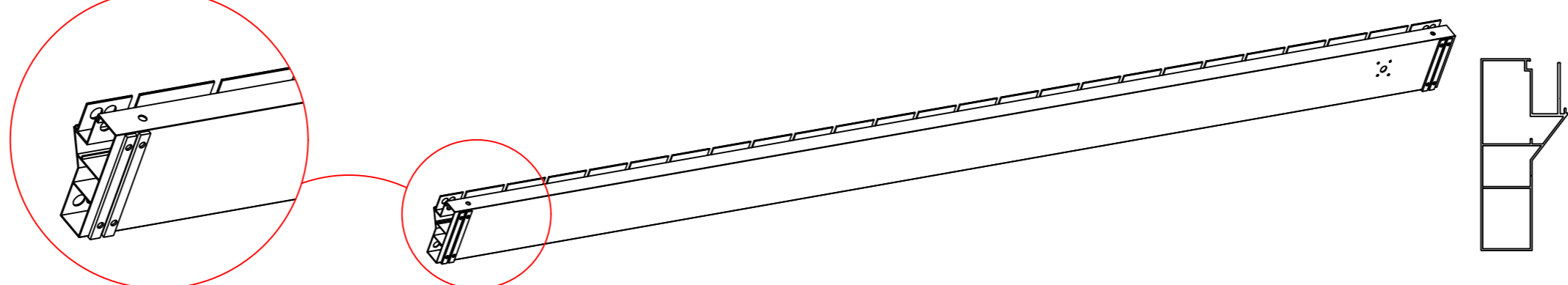
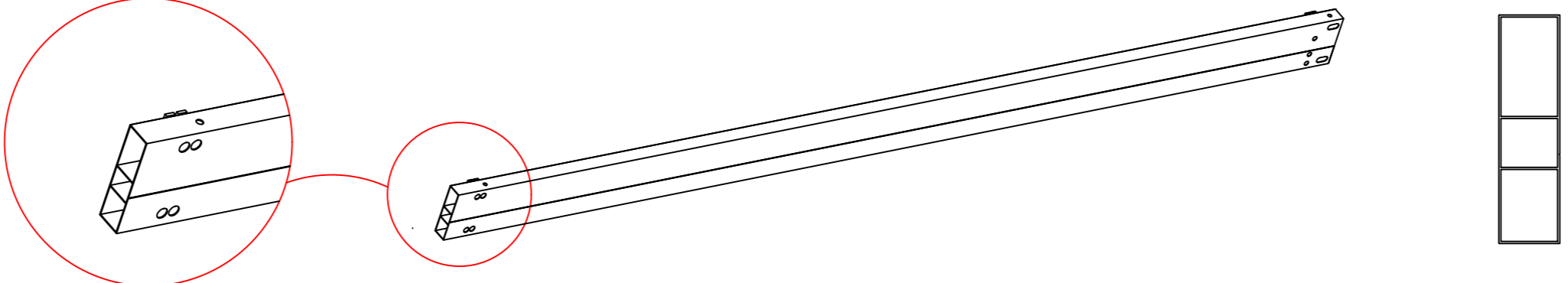
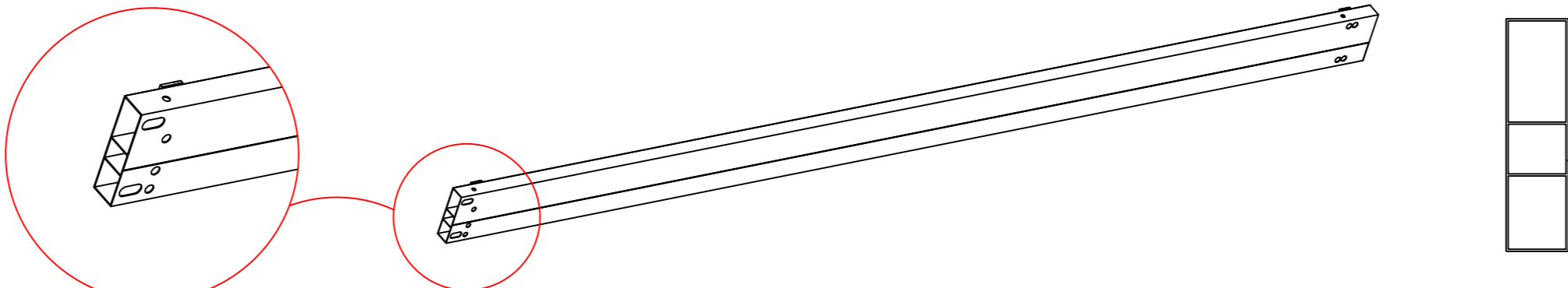
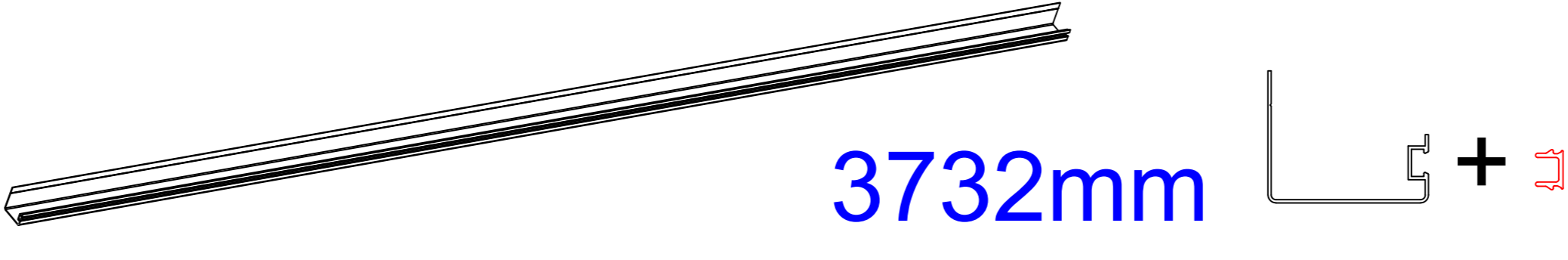
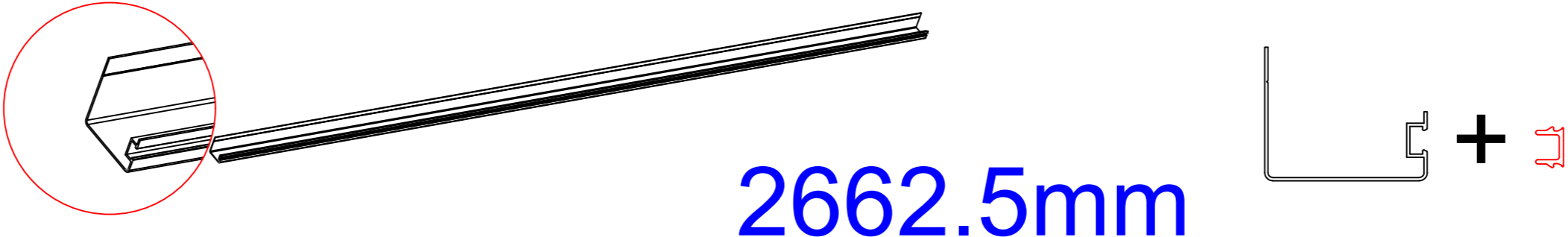
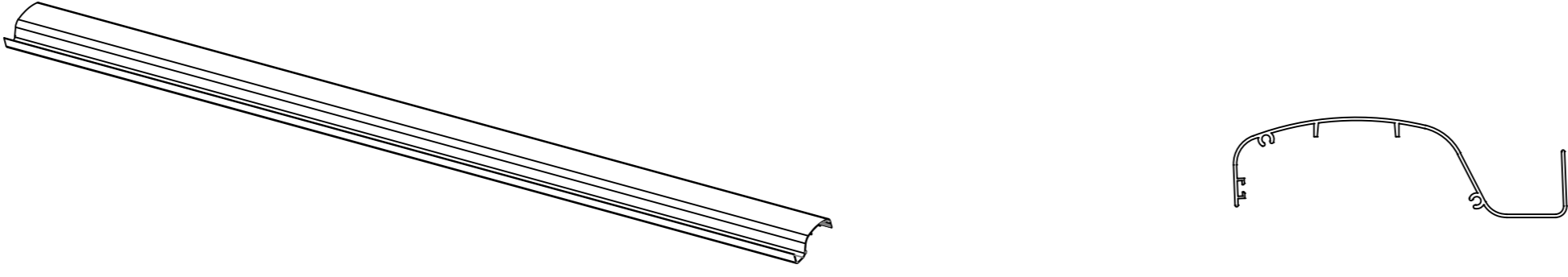
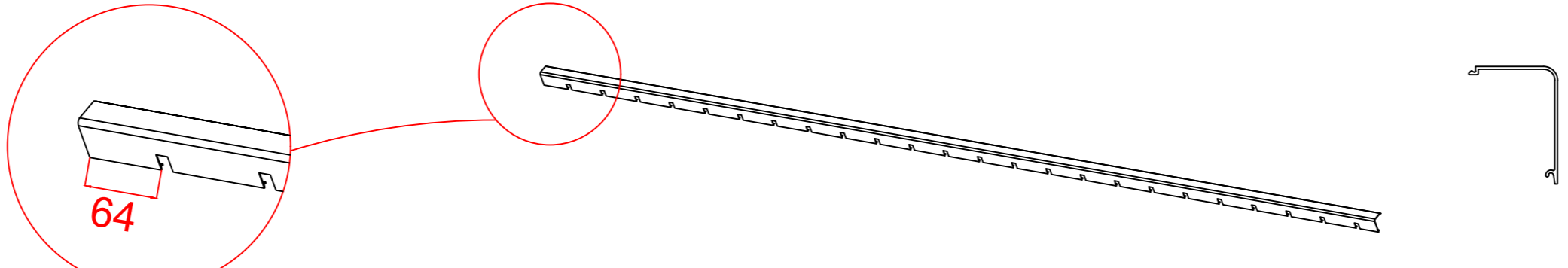
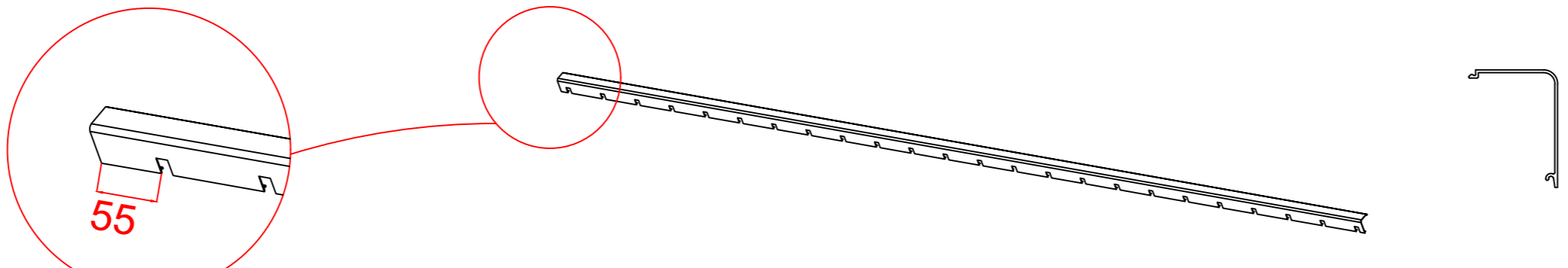
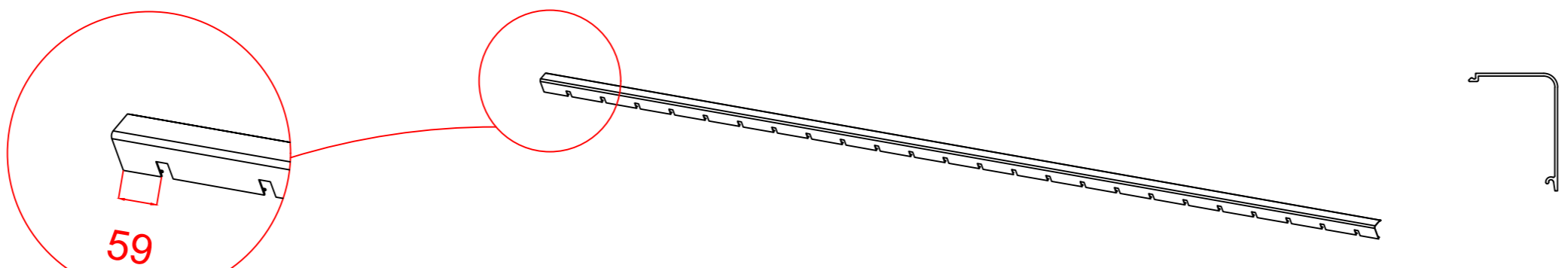
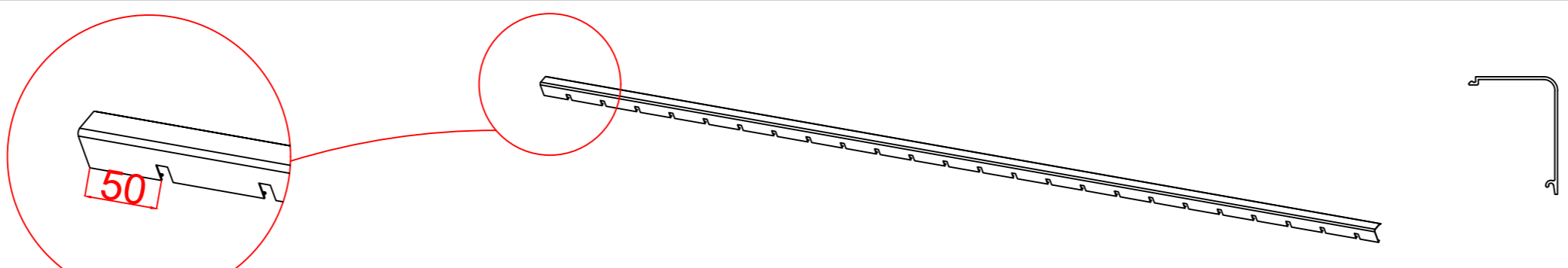


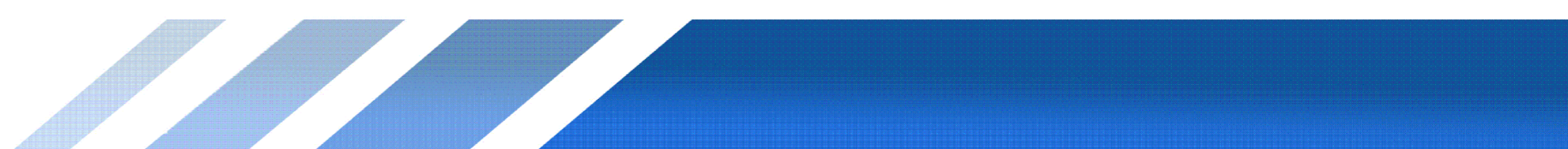


	Item	Qty	Item	Qty	Item	Qty
Carton 1/7	1B-27	2	1B-11	4	1B-12	4
	1B-13/B	6	1B-14	2	1B-15	2
	1B-18	1	1B-19	12+	1B-20	132+
	1B-21	24+	1B-22	36+	1B-23	46+
	1B-24	1	1B-25	12+	1B-26	2
	1B-16	2	1B-48	65+	1B-48B	1
	1B-49	65+	1B-50	1	1B-51	264+
	1B-59	8	1B-64	1		
Carton 2/7	1B-01	4				
Carton 3/7	1B-02	1	1B-03	1	1B-28	1
	1B-08A /B/C/D	4	1B-05A	2	1B-29	2
	1B-09	4				
Carton 4/7	1B-04A	2	1B-04B	2	1B-05B	4
Carton 5/7	1B-06	22				
Carton 6/7	1B-06	22				
Carton 7/7	1B-06	22				

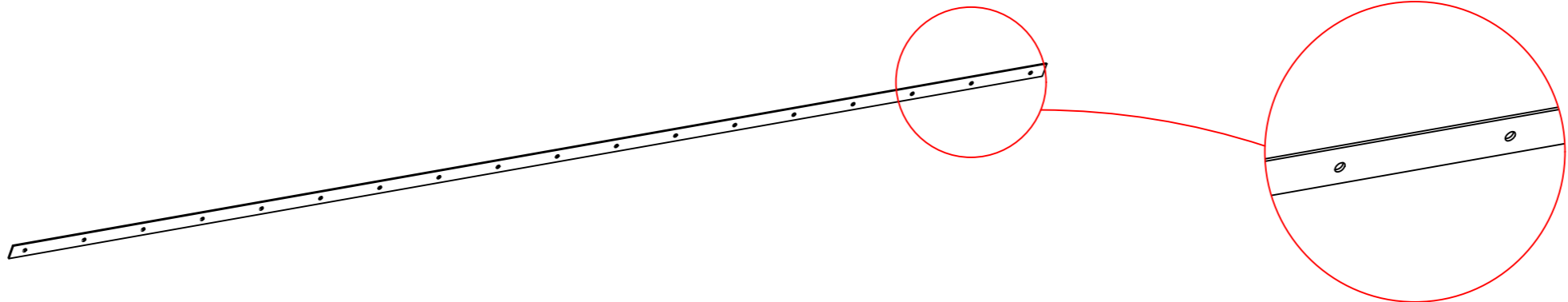
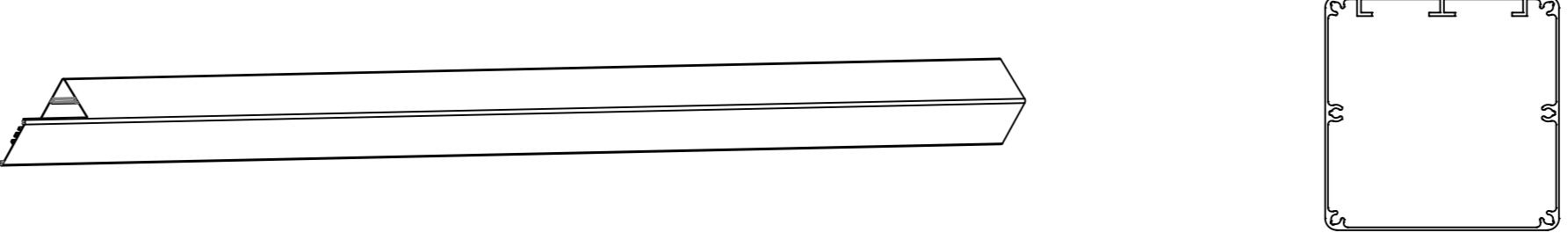
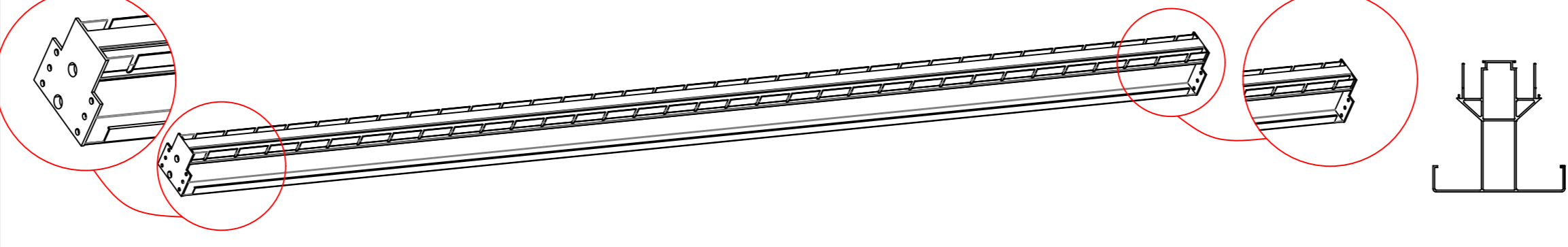
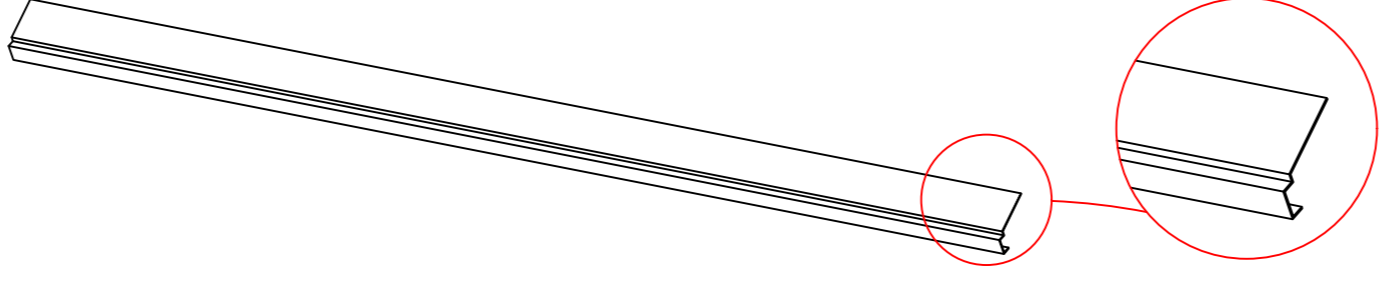


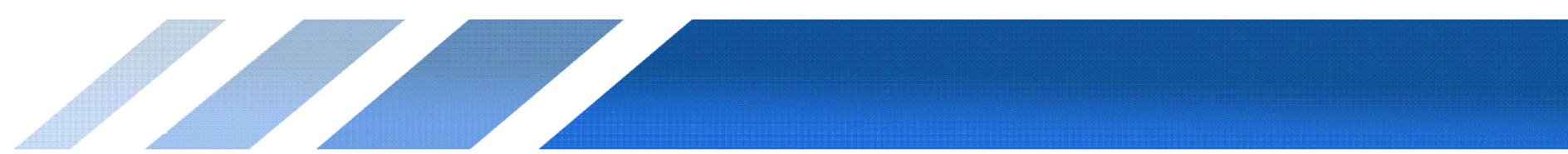


Item	Drawings	Qty
1B-01		4
1B-02		1
1B-03		1
1B-04A		2
1B-04B		2
1B-05A		2
1B-05B		4
1B-06		66
1B-08A		1
1B-08B		1
1B-08C		1
1B-08D		1





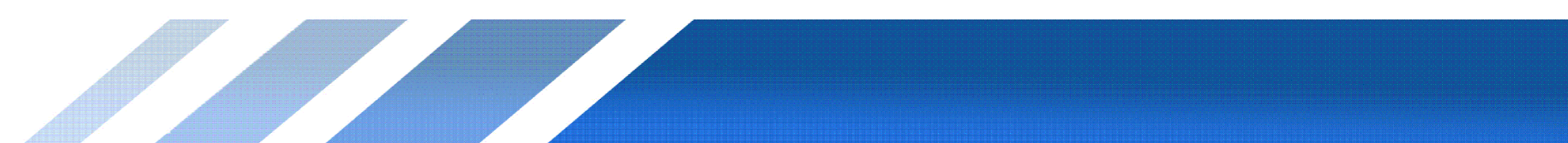
Item	Drawings	Qty
1B-09		4
1B-27		2
1B-28		1
1B-29		2

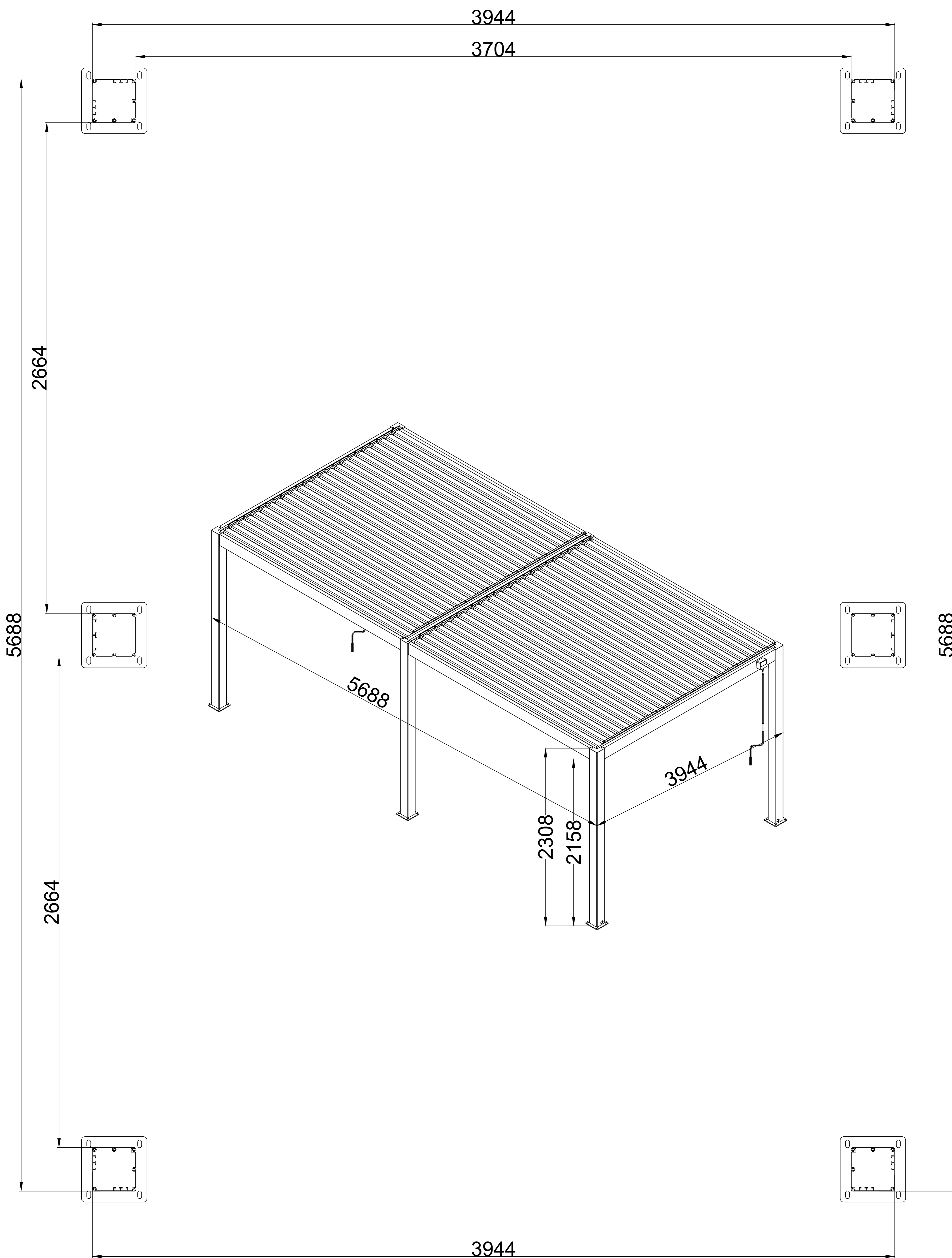




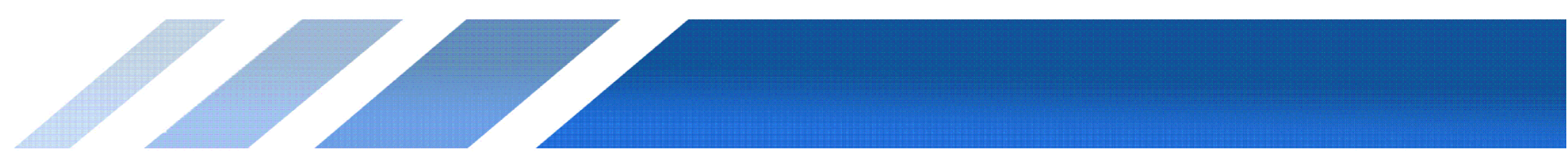
Item	Drawings	Qty
1B-11		4
1B-12		4
1B-13		4
1B-13B		2
1B-14		2
1B-15		2
1B-18		1
1B-19	 M8*20	12+
1B-20		132+
1B-21	 M10*80	24+
1B-22	 M5.5*50	36+
1B-23	 M4.2*19	46+

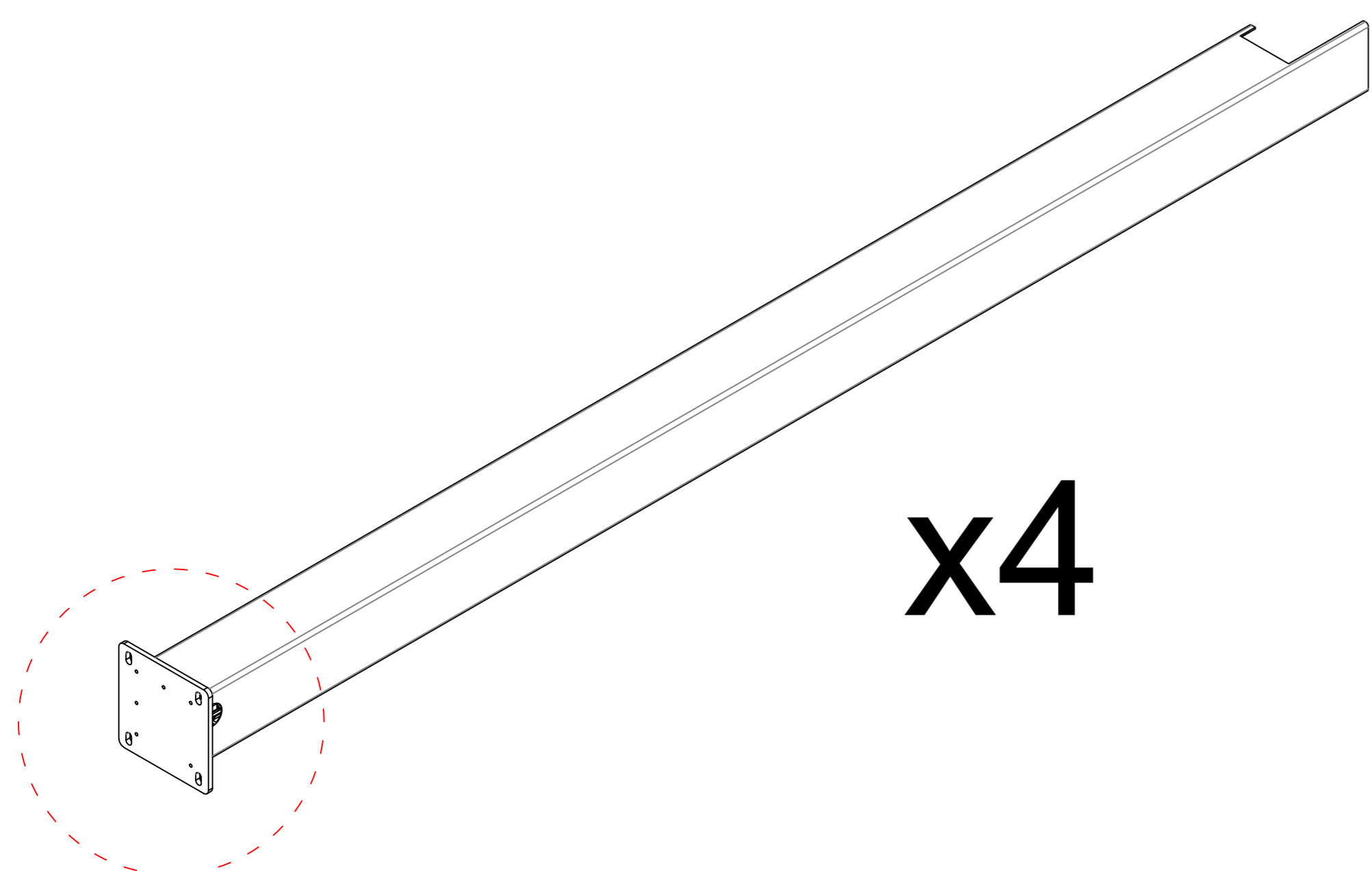
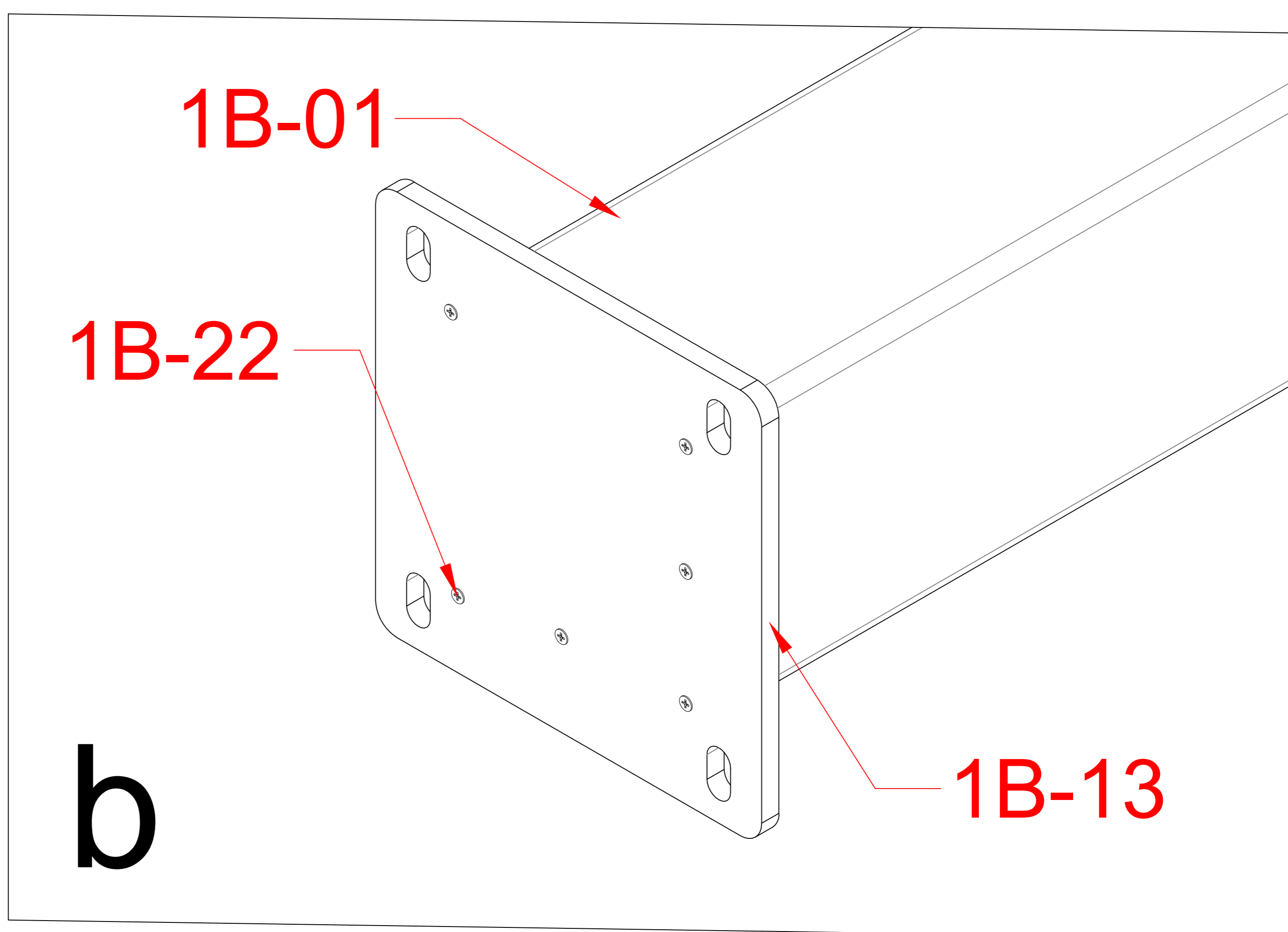
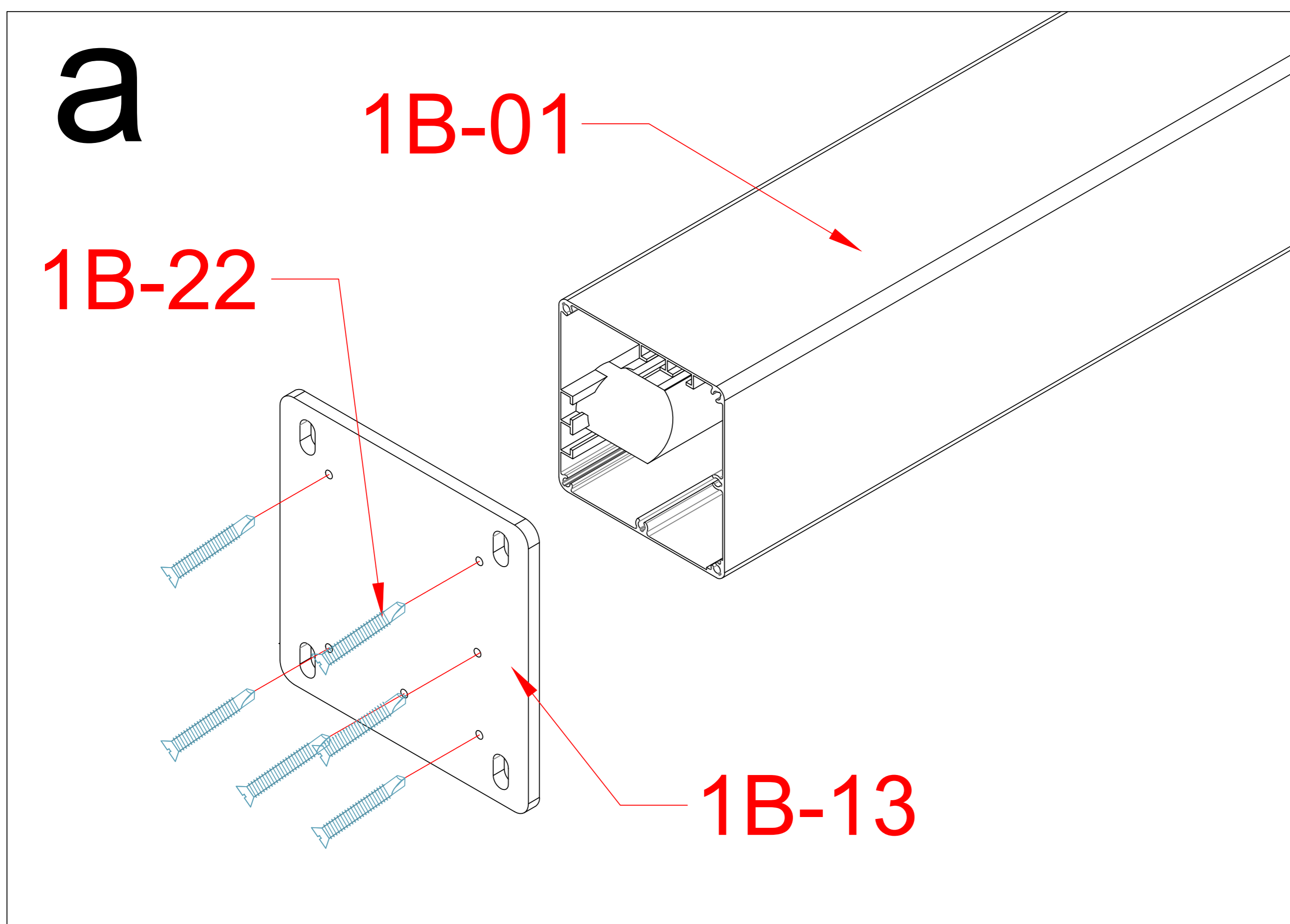
Item	Drawings	Qty
1B-24		1
1B-25	 M8*30	12+
1B-26		2
1B-16		2
1B-48		65+
1B-48B		1
1B-49		65+
1B-50		1
1B-51	 M3.5*25	264+
1B-59	 M8*12	8
1B-64		1

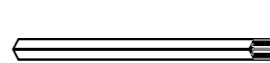
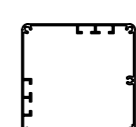
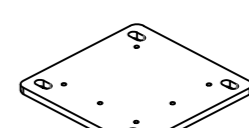
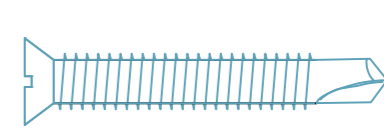




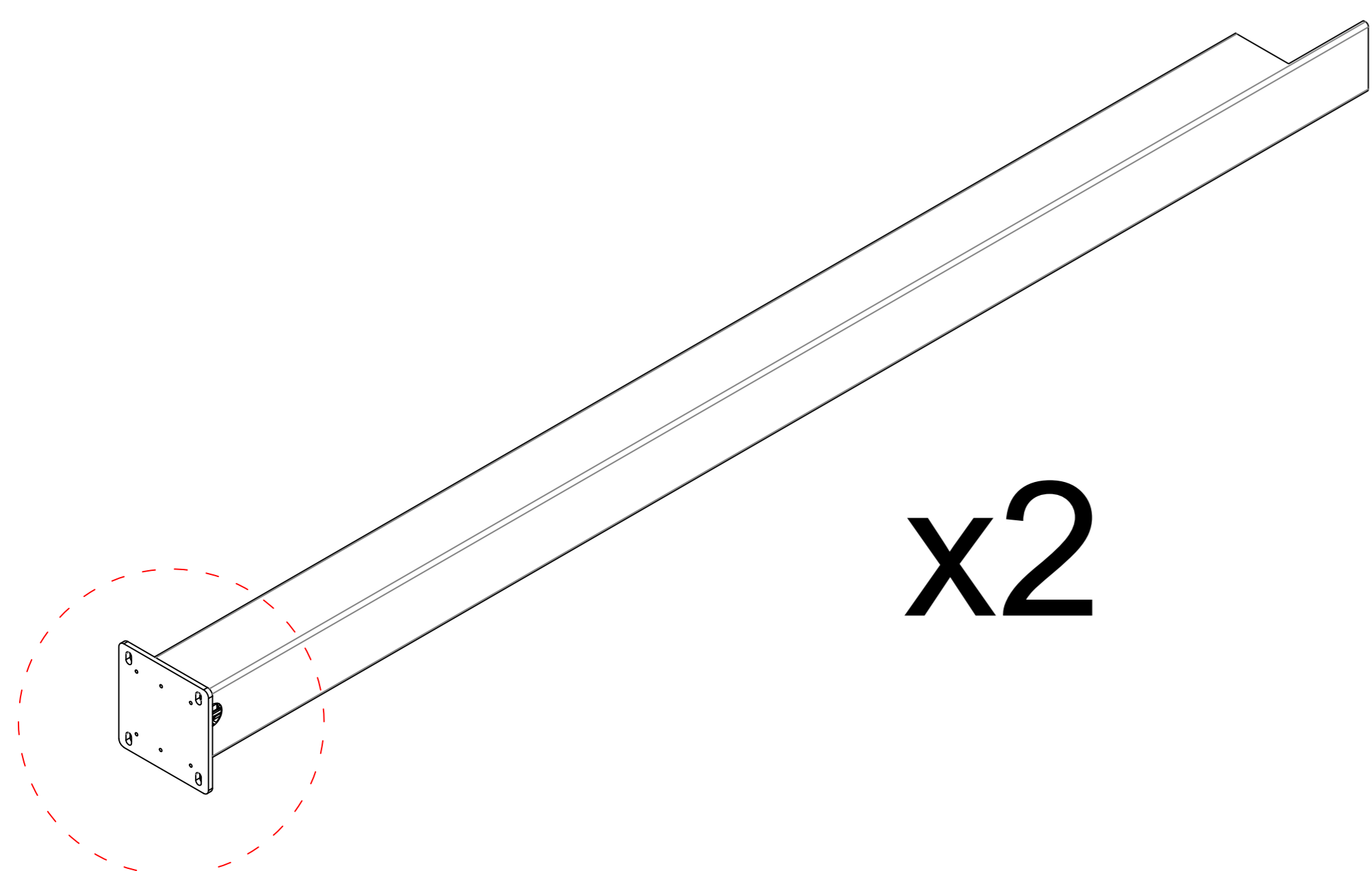
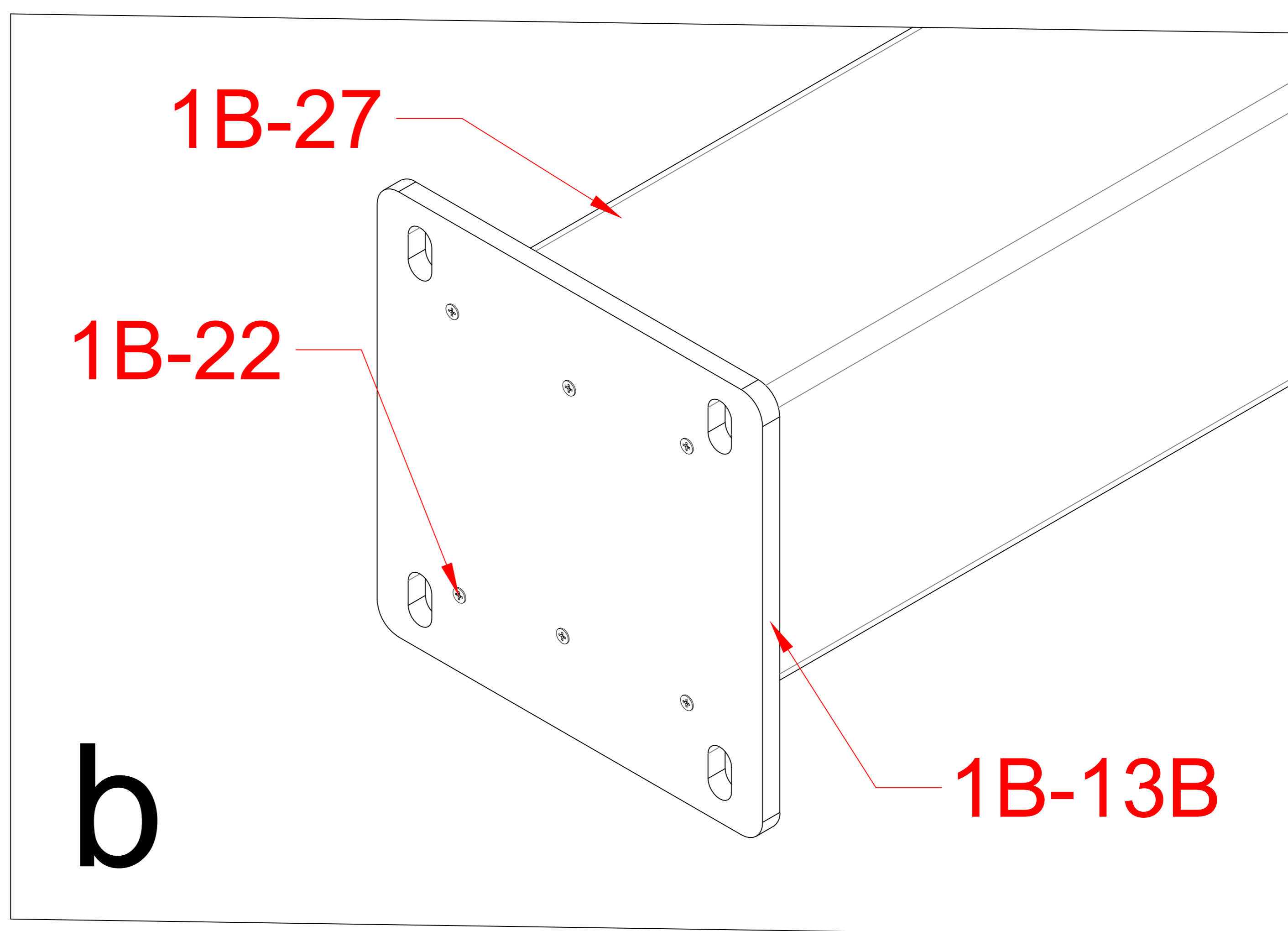
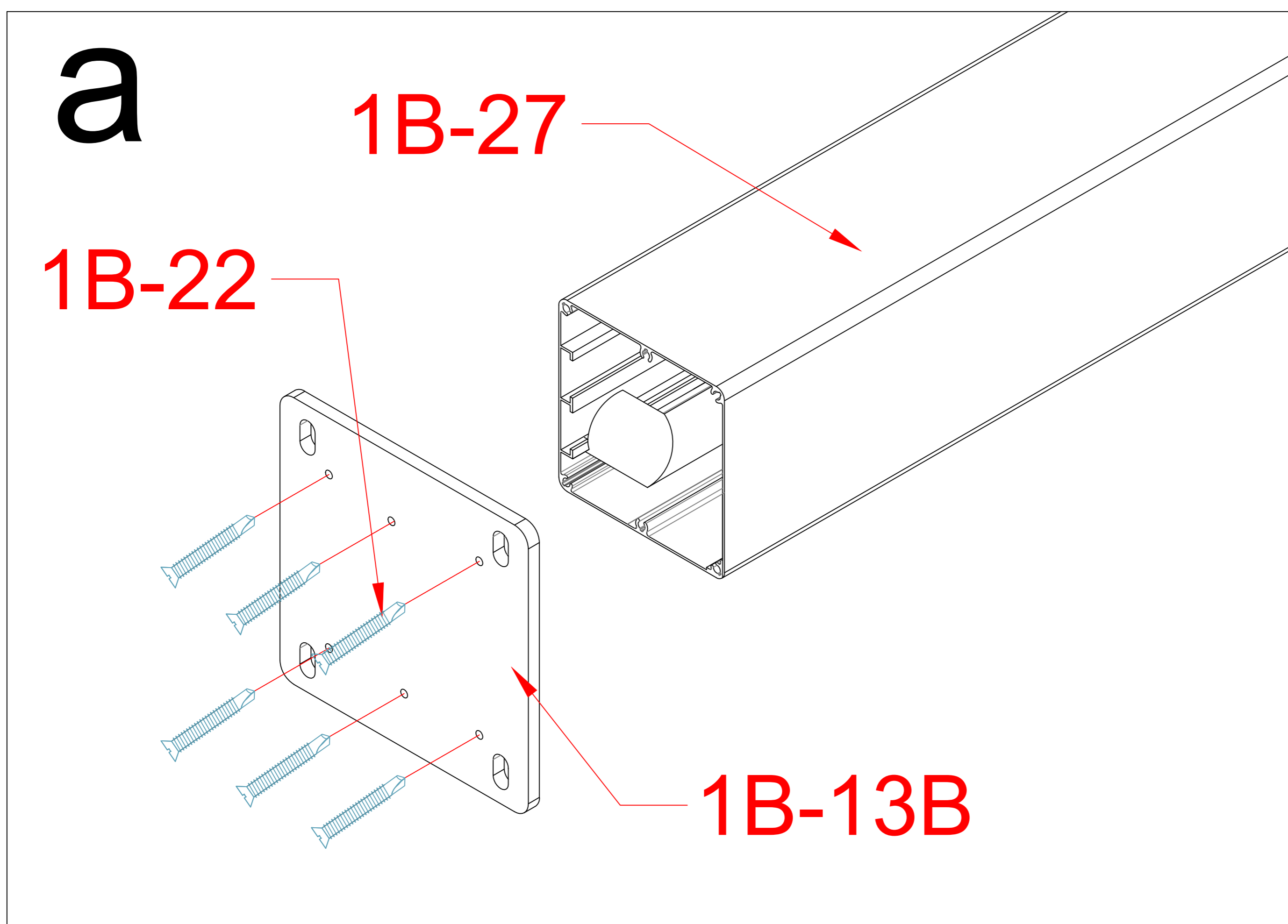
4x6-5



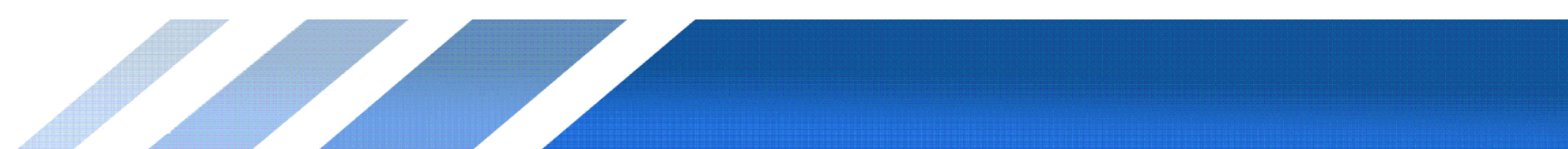


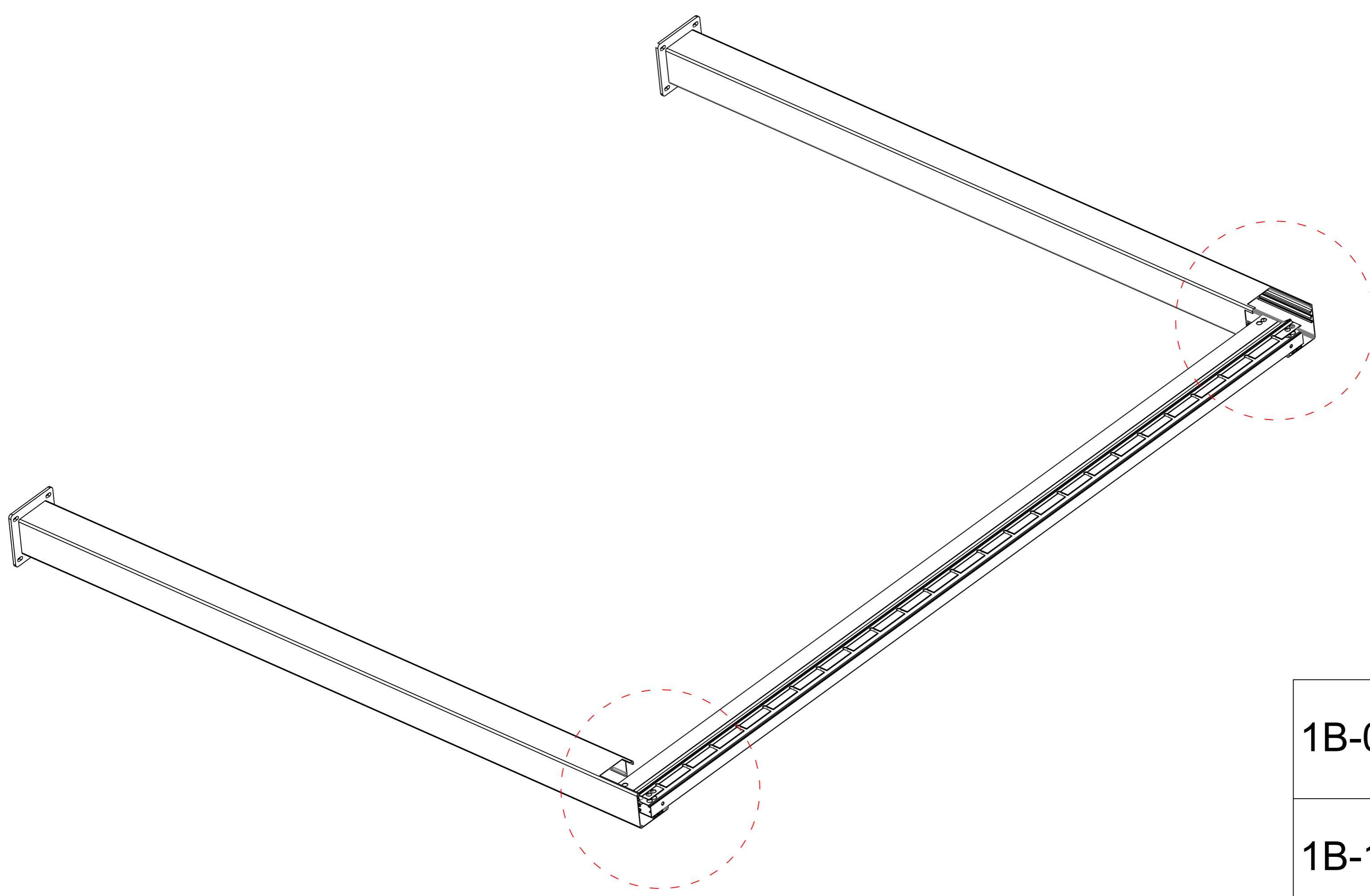
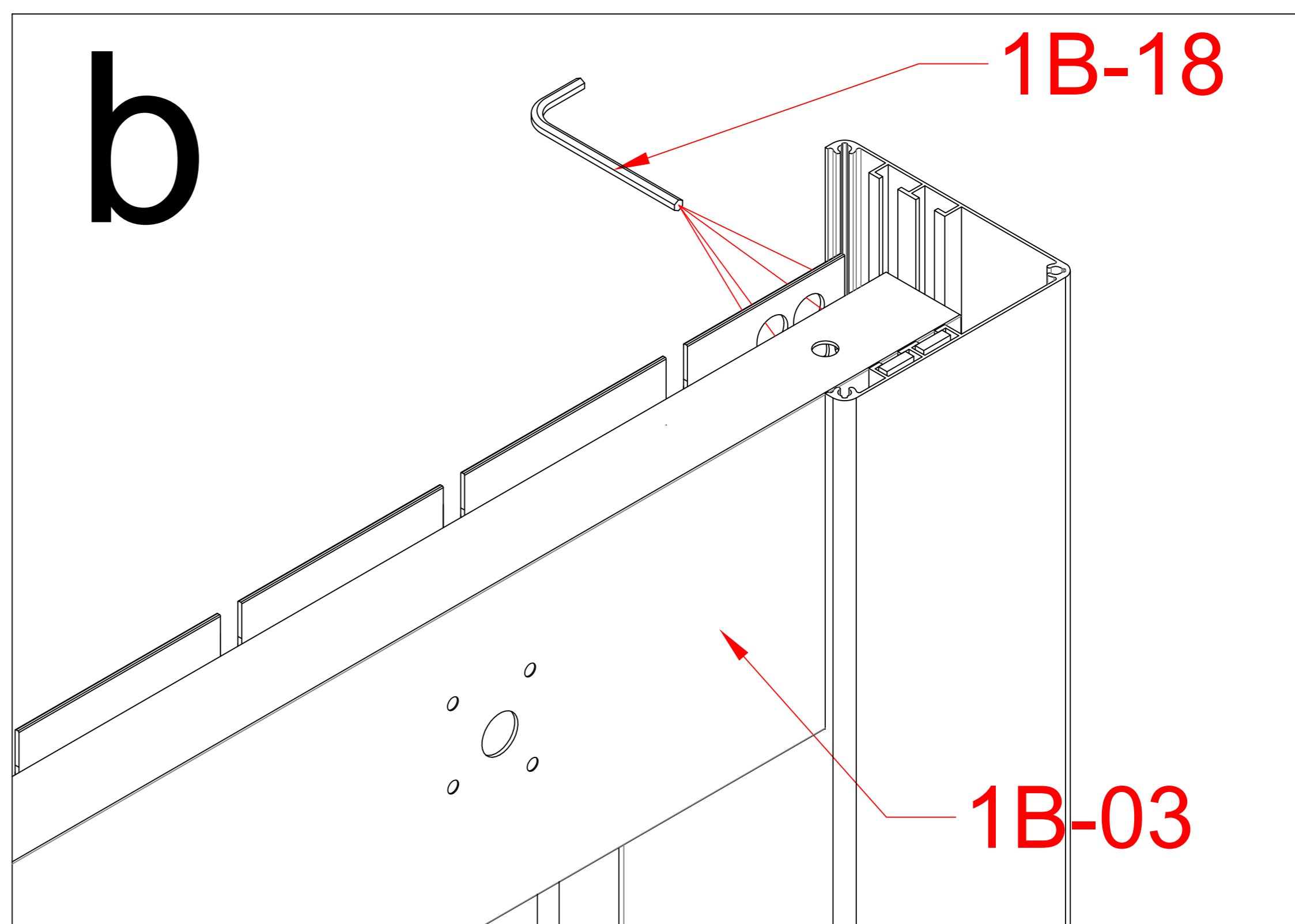
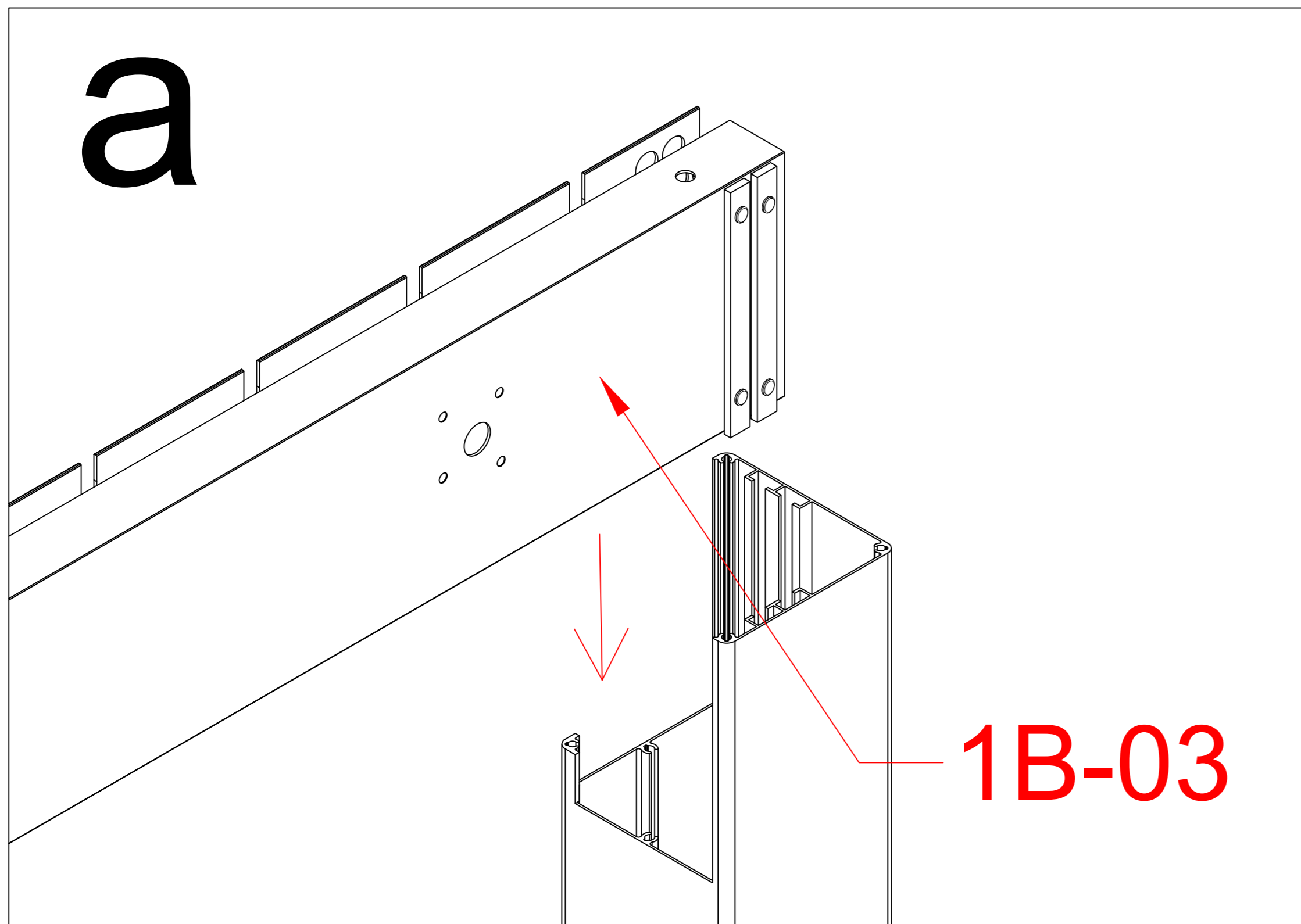
1B-01	 	4
1B-13		4
1B-22		24



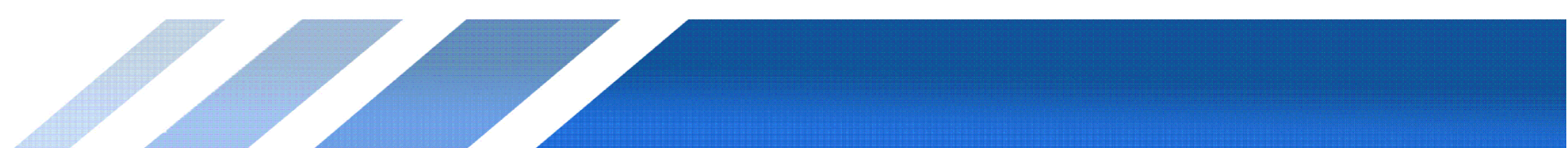


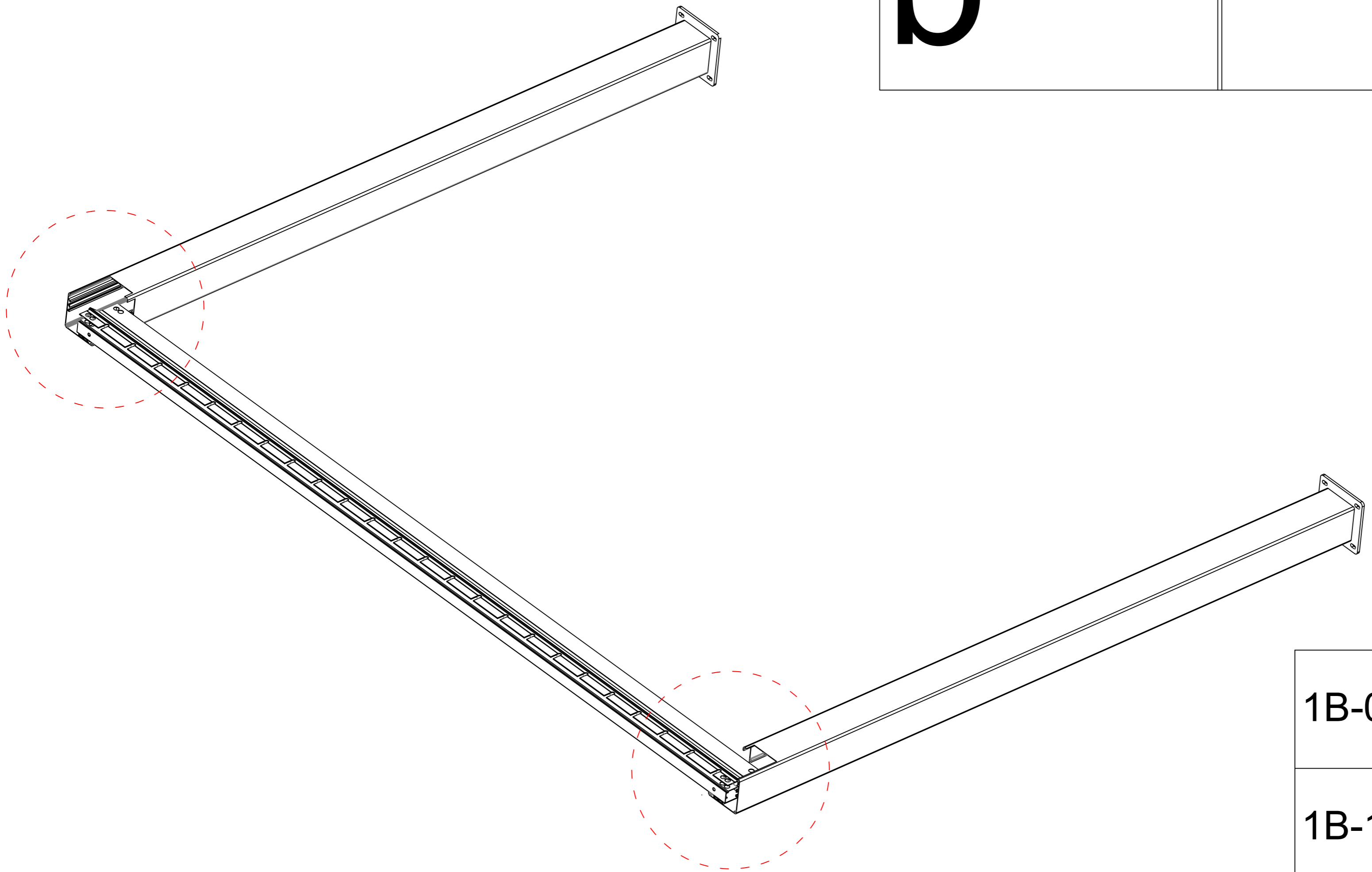
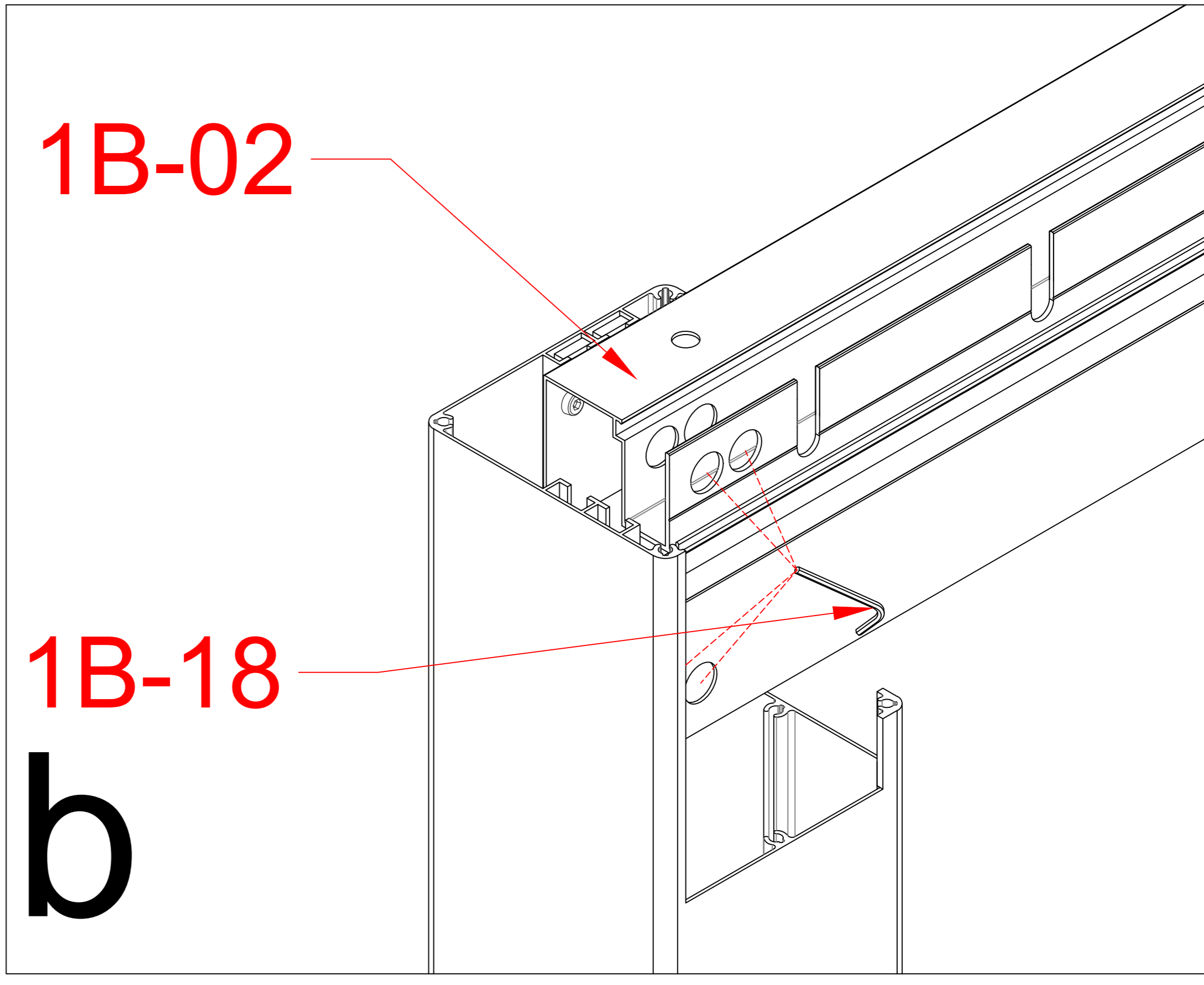
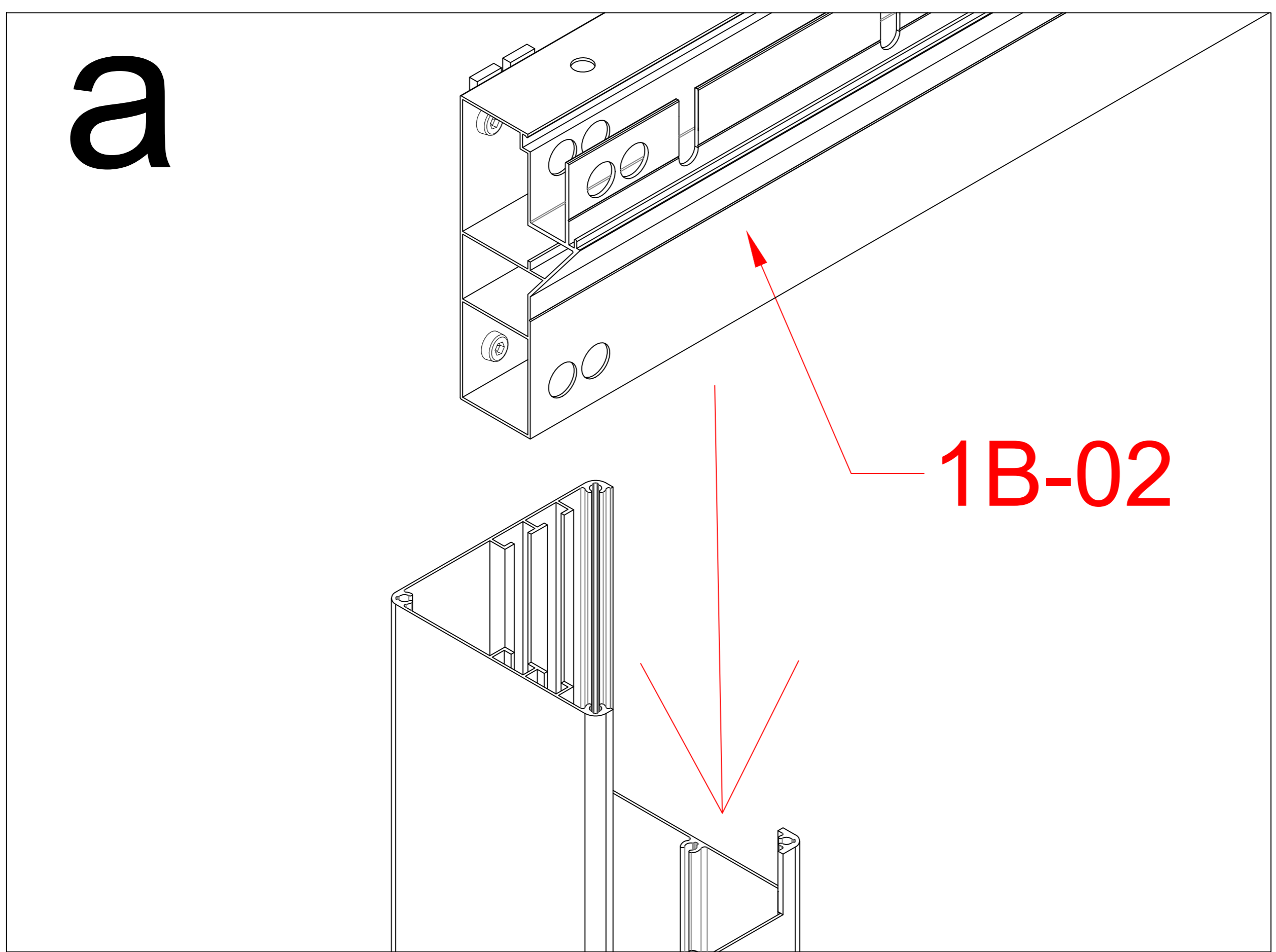
1B-27		2
1B-13B		2
1B-22		12



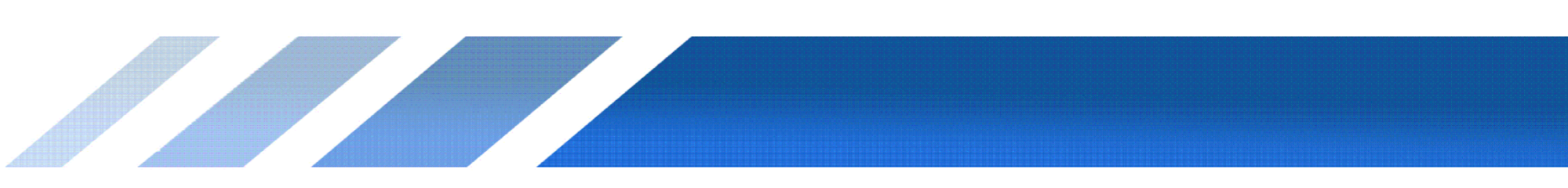


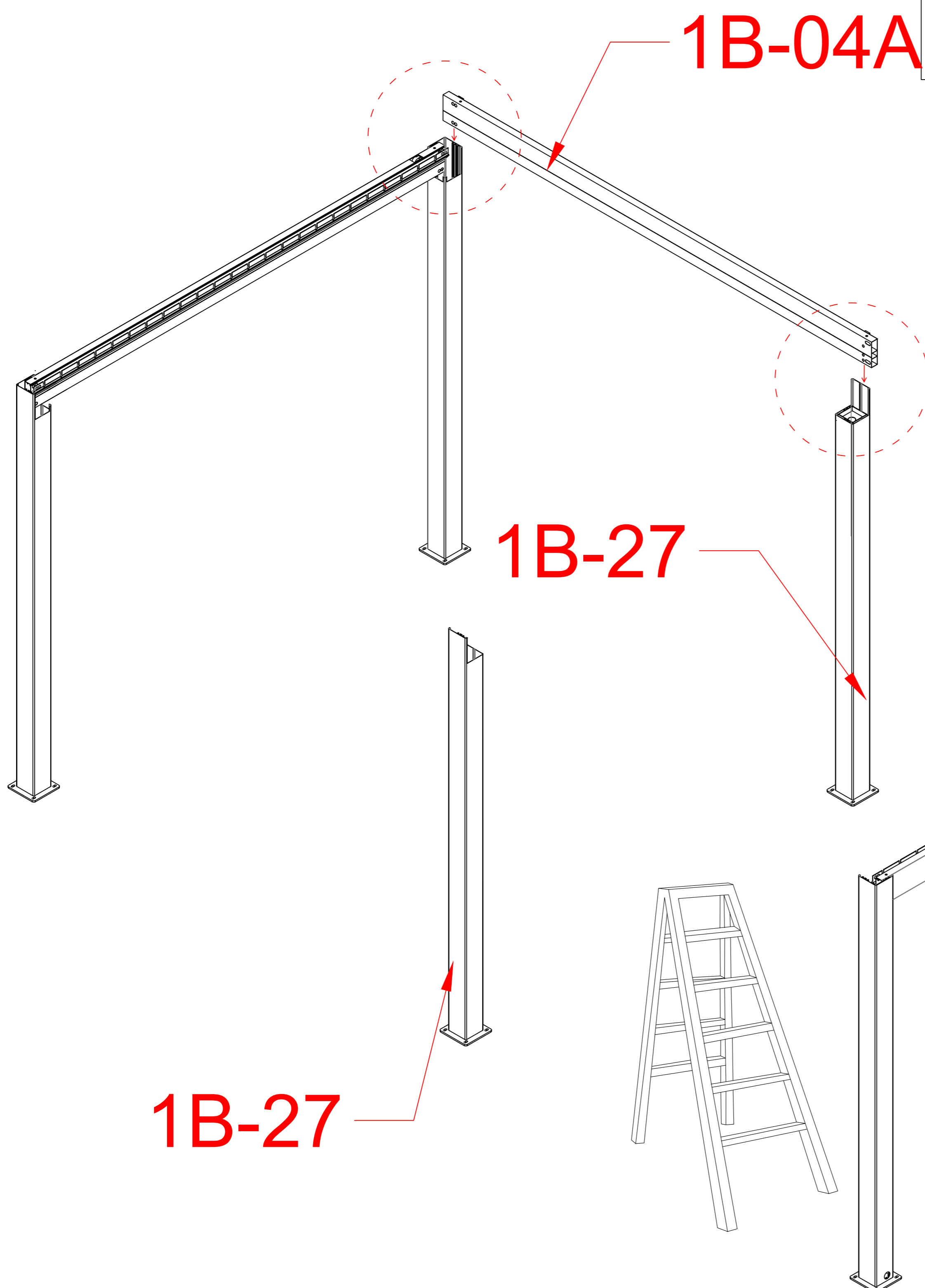
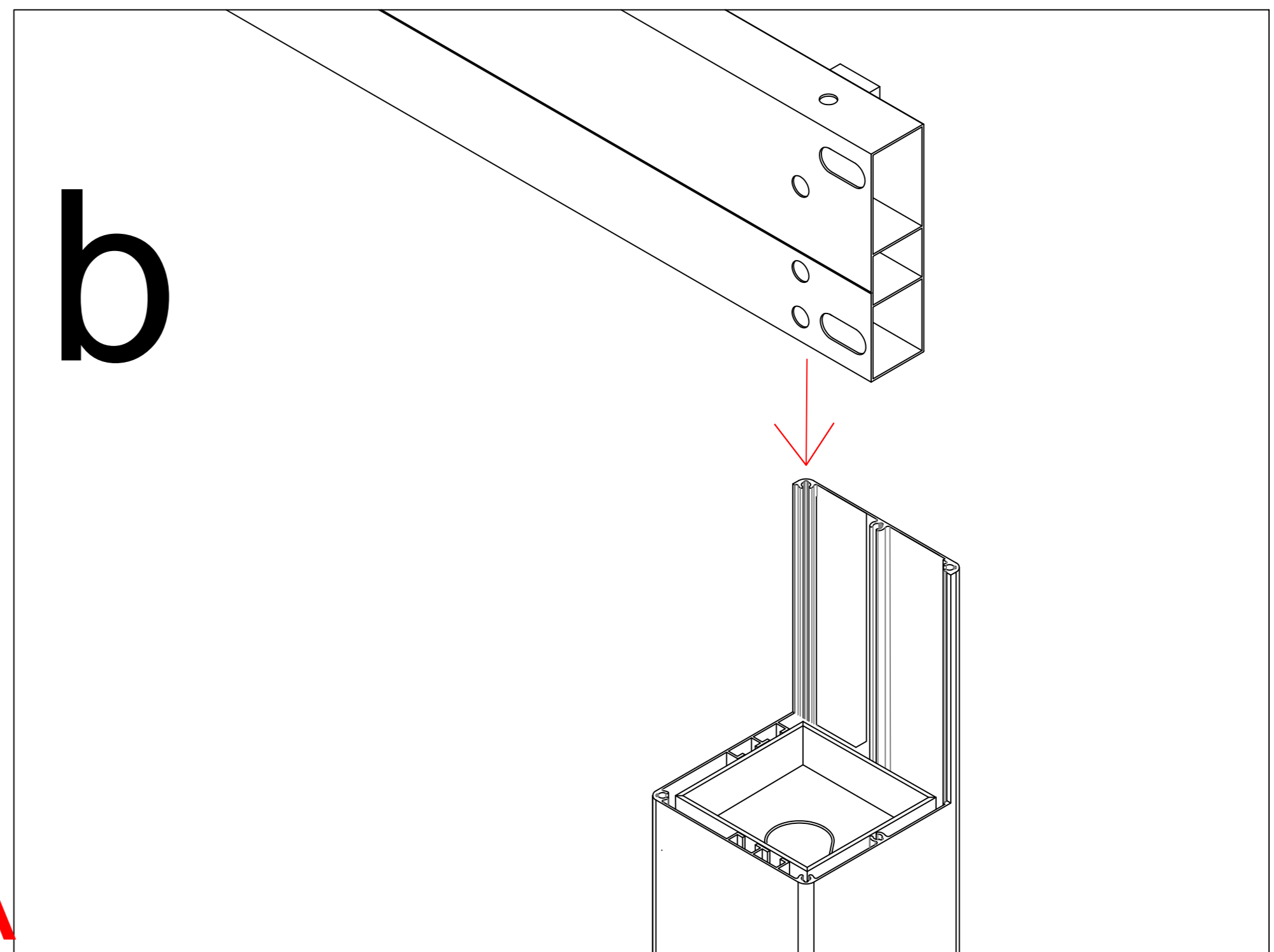
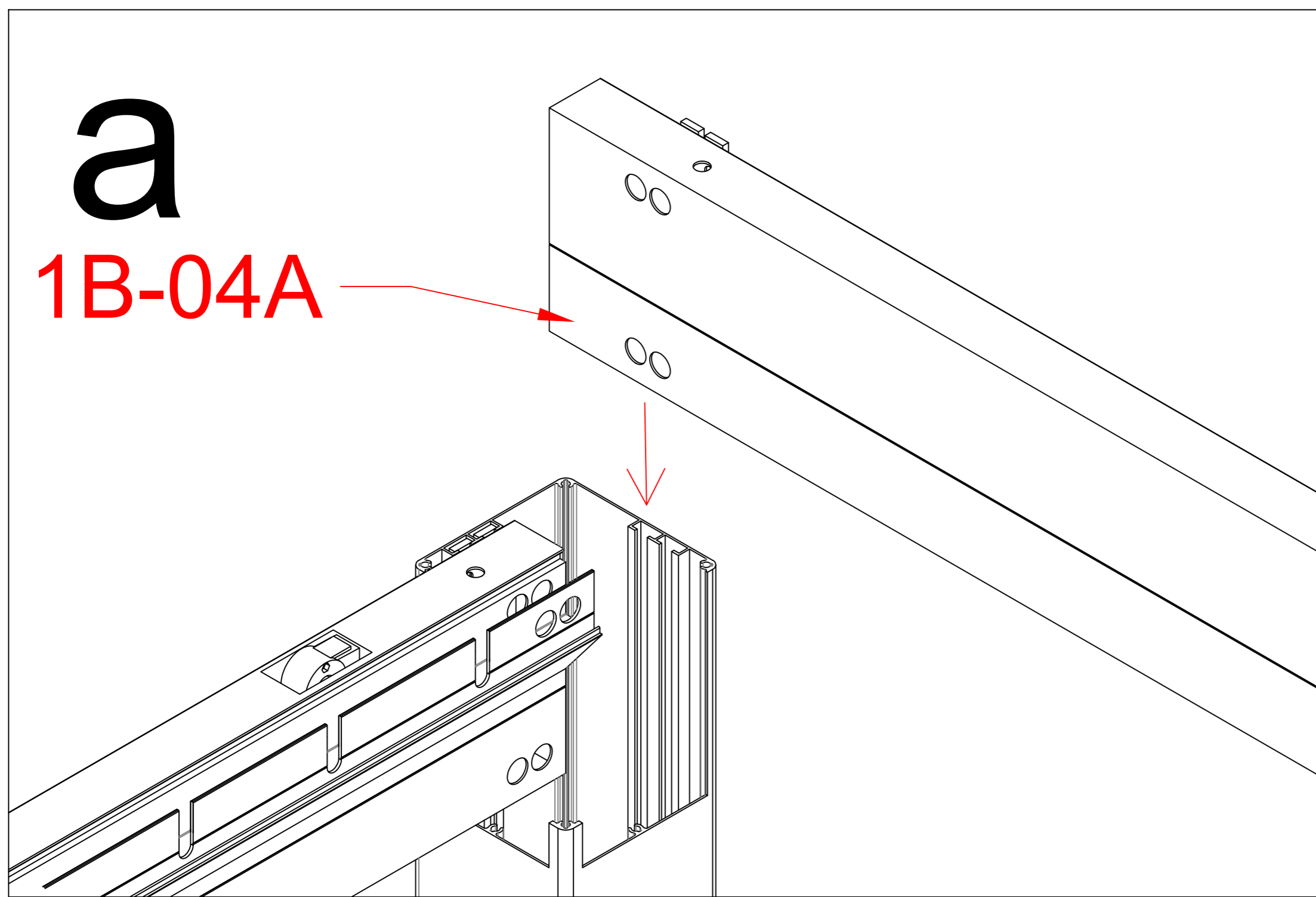
1B-03			1
1B-18			1





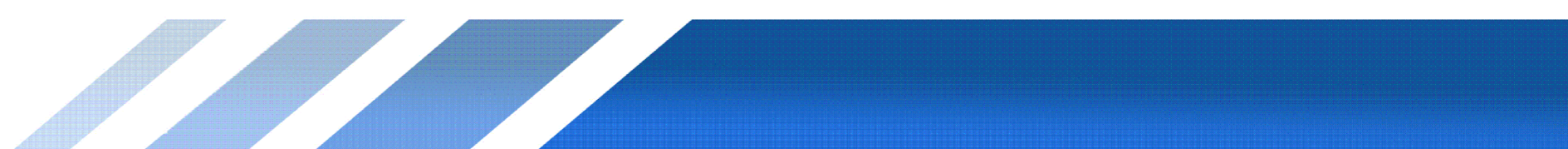
1B-02			1
1B-18			1

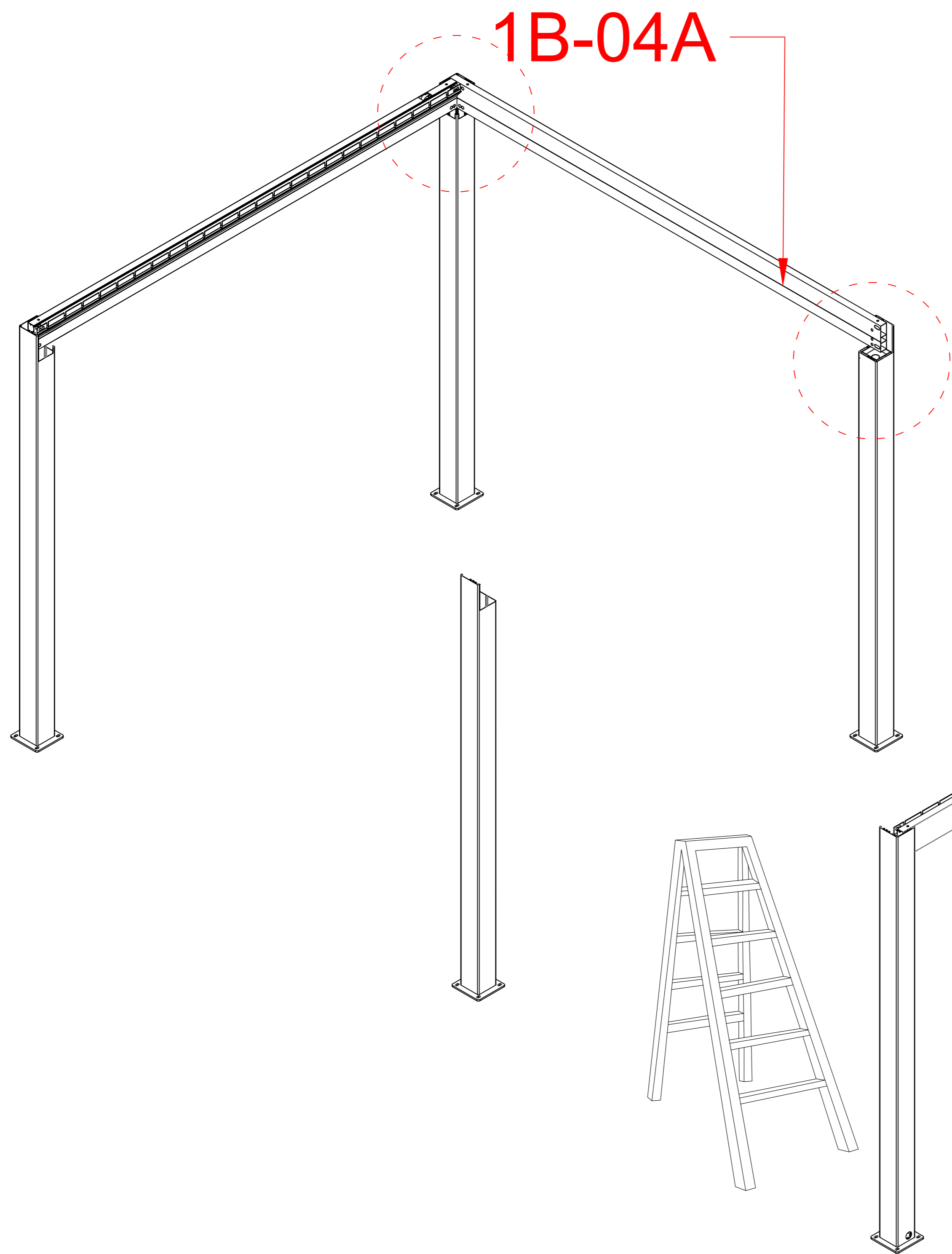
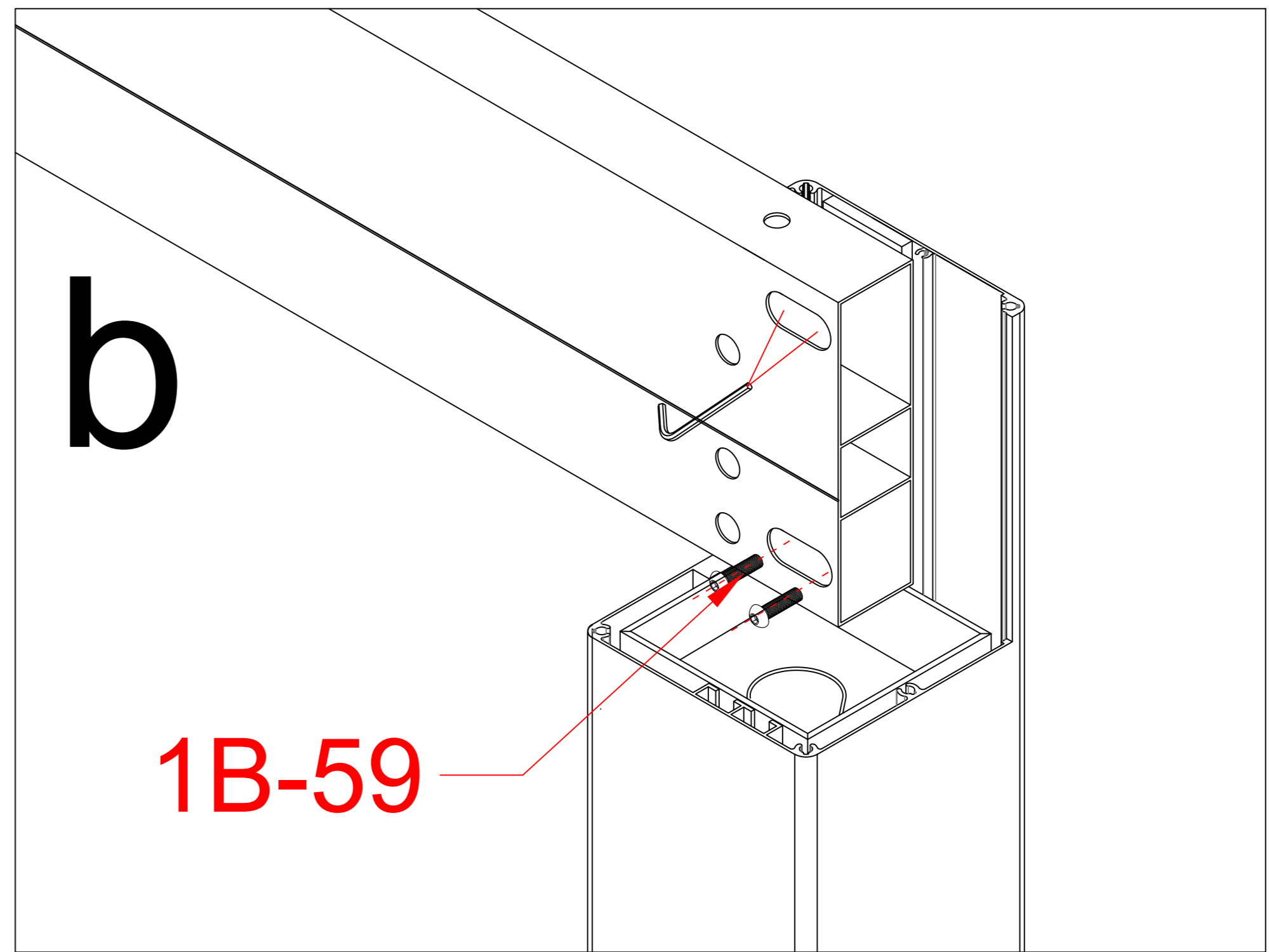
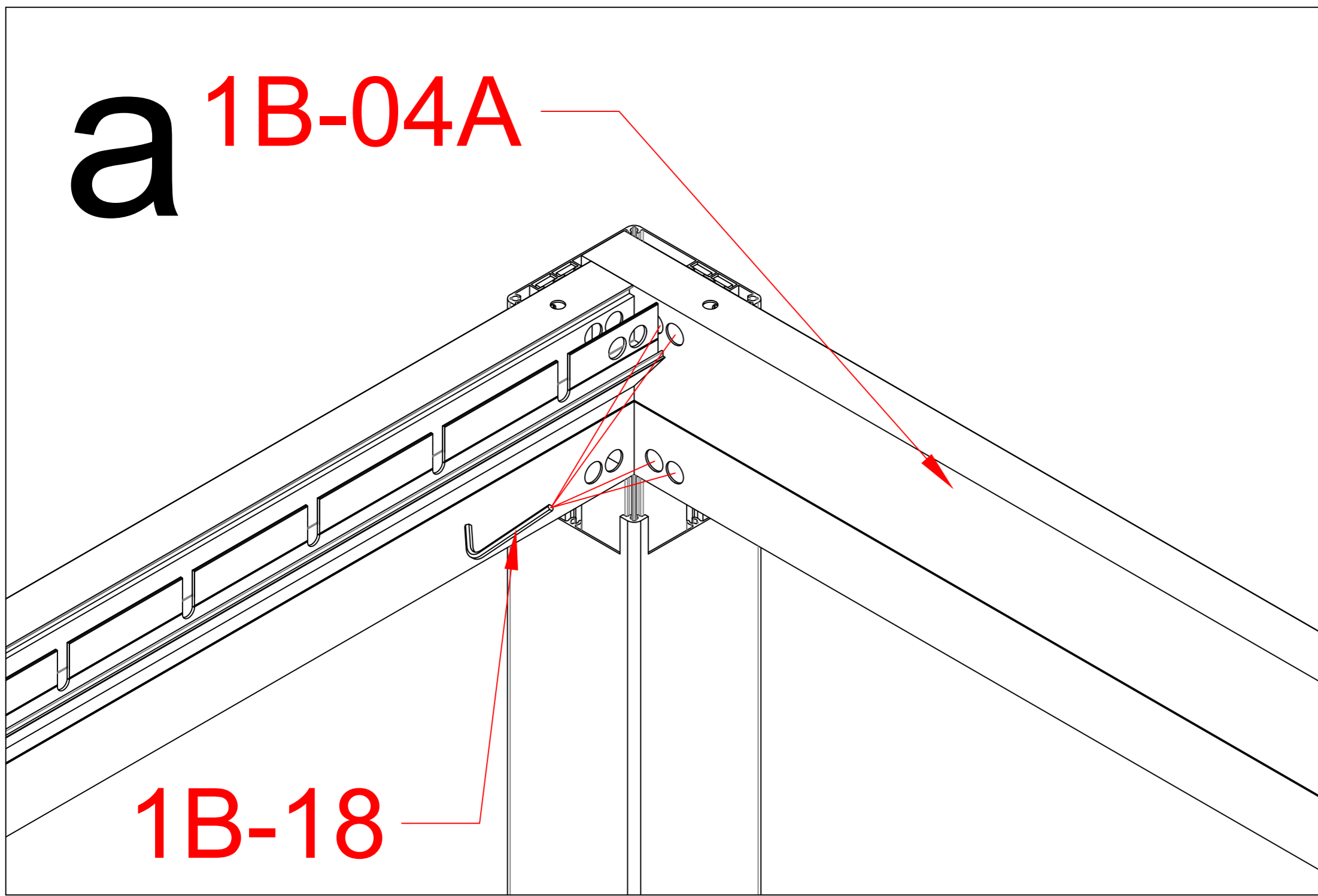


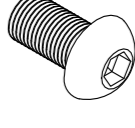



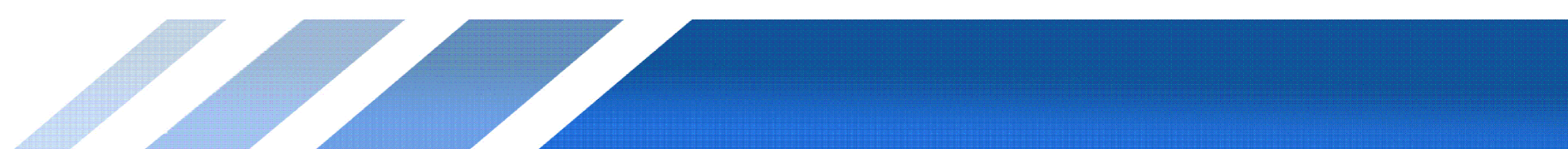
If there are electrical components including motor, blinds or LED light, Set the wire through the post firstly, otherwise it would be very difficult to do so after pergola was assembled.

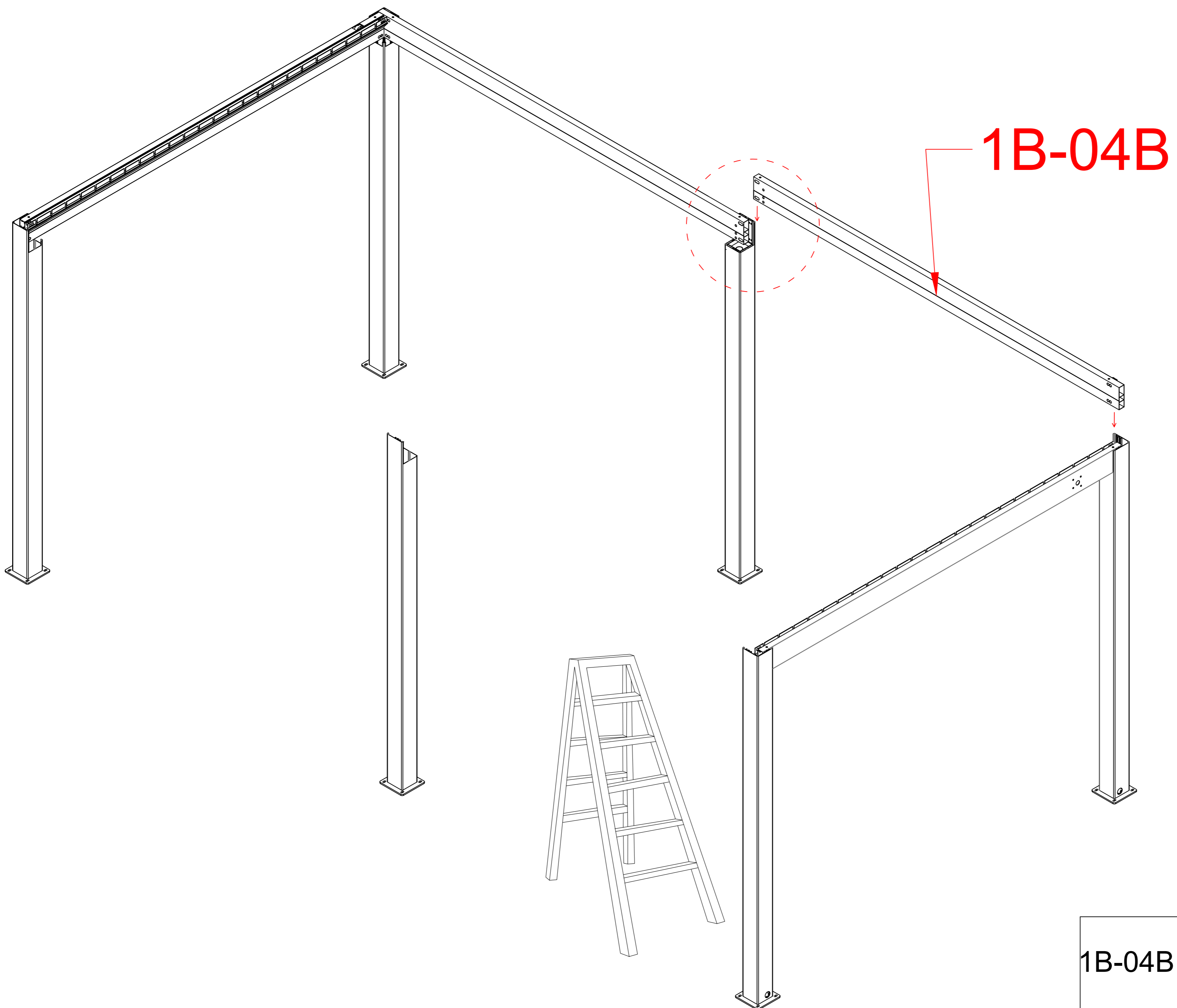
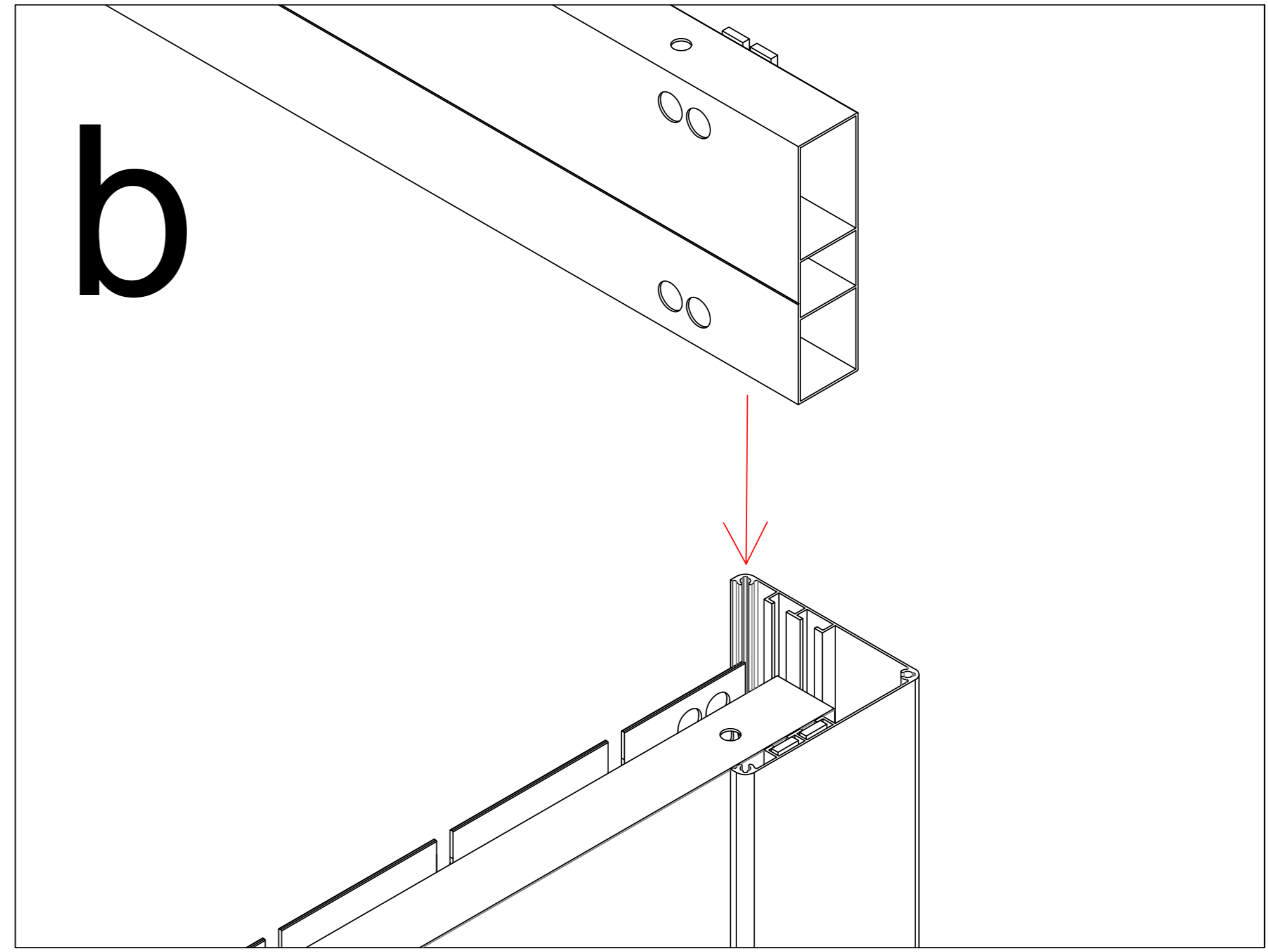
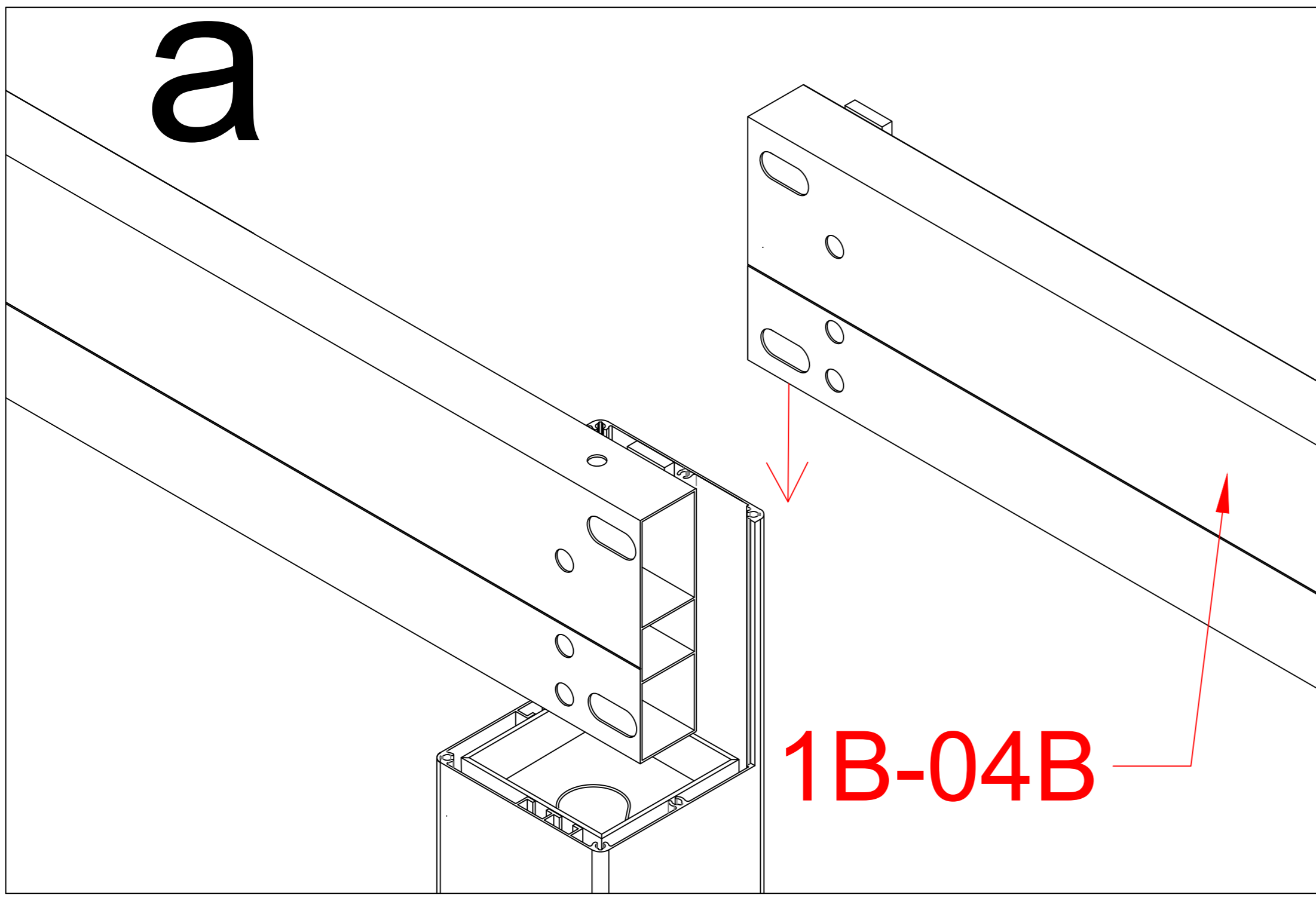
1B-04A			1
--------	--	--	---



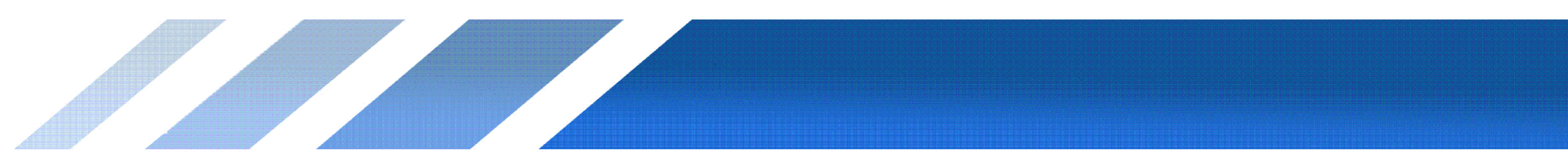


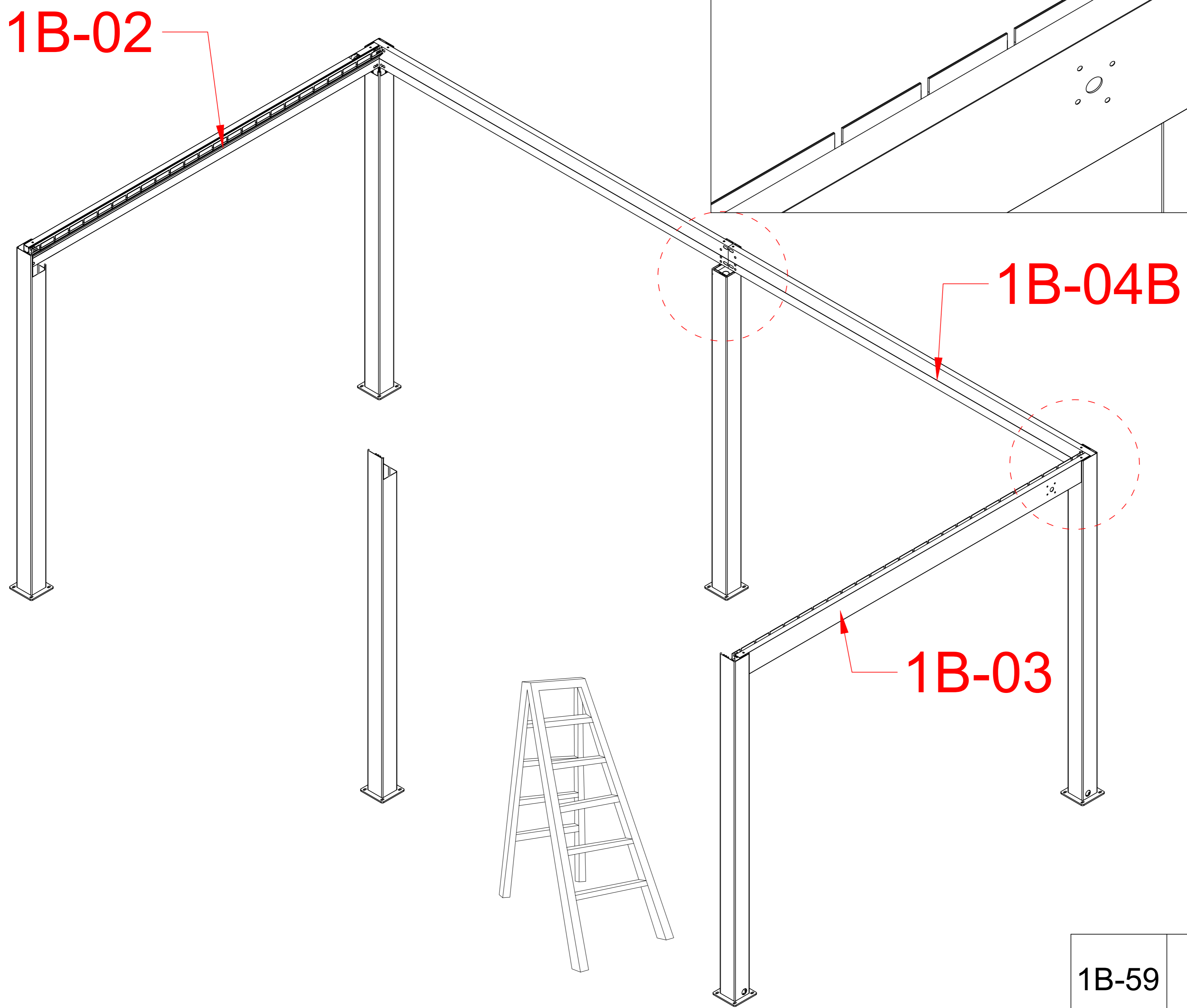
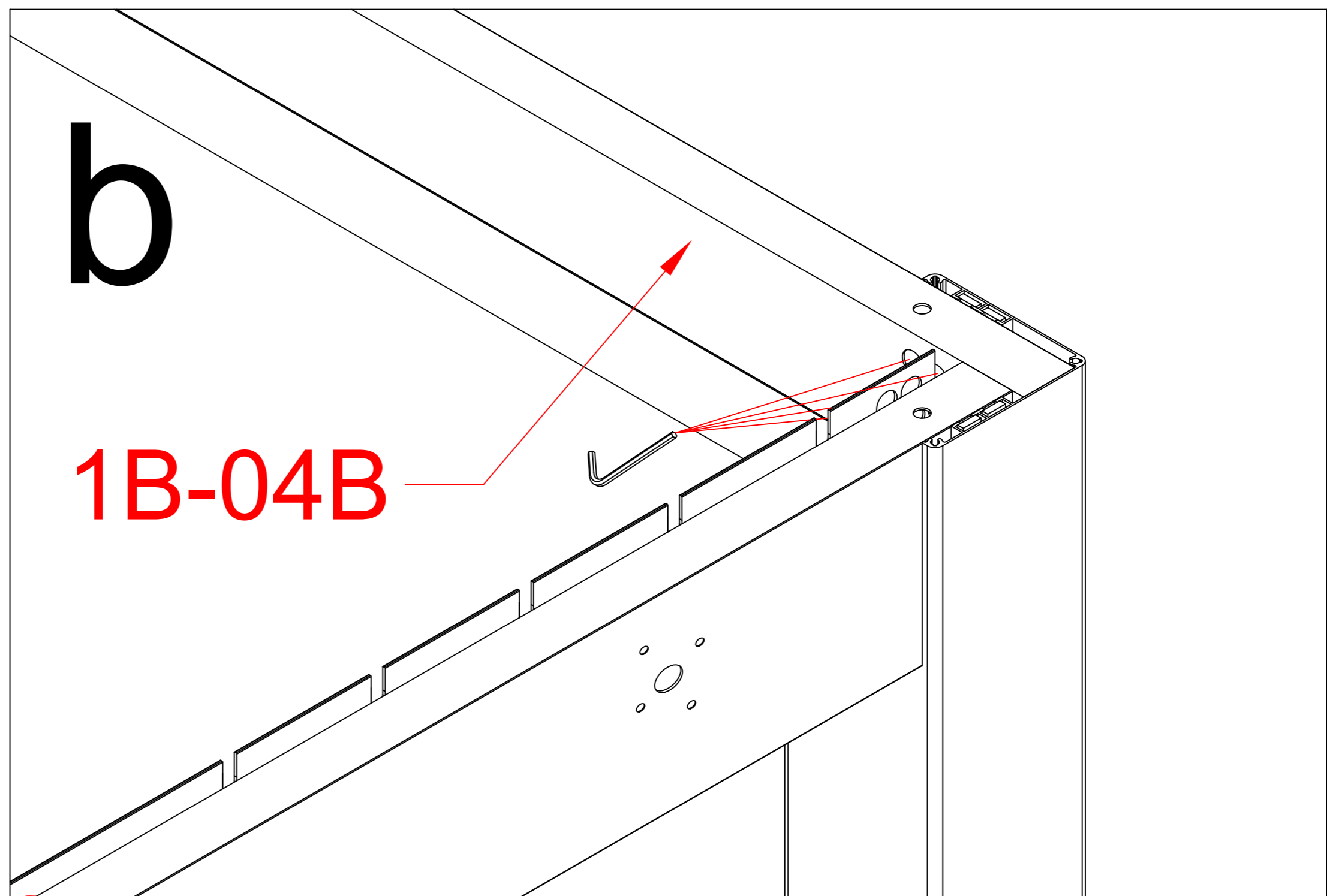
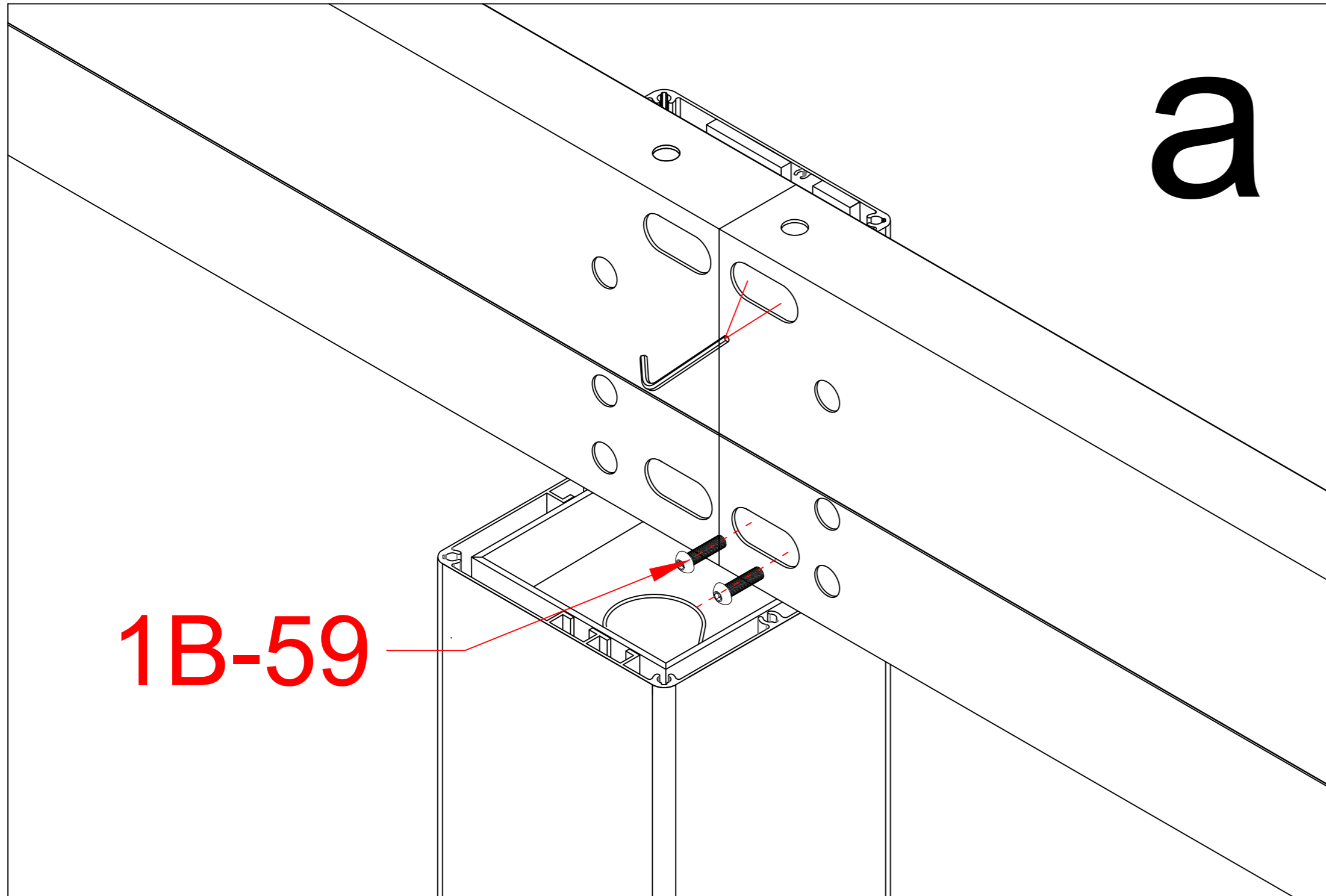
1B-59		2
1B-18		1

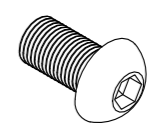



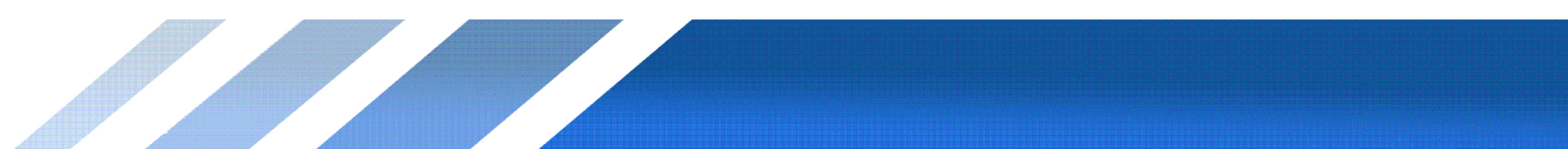


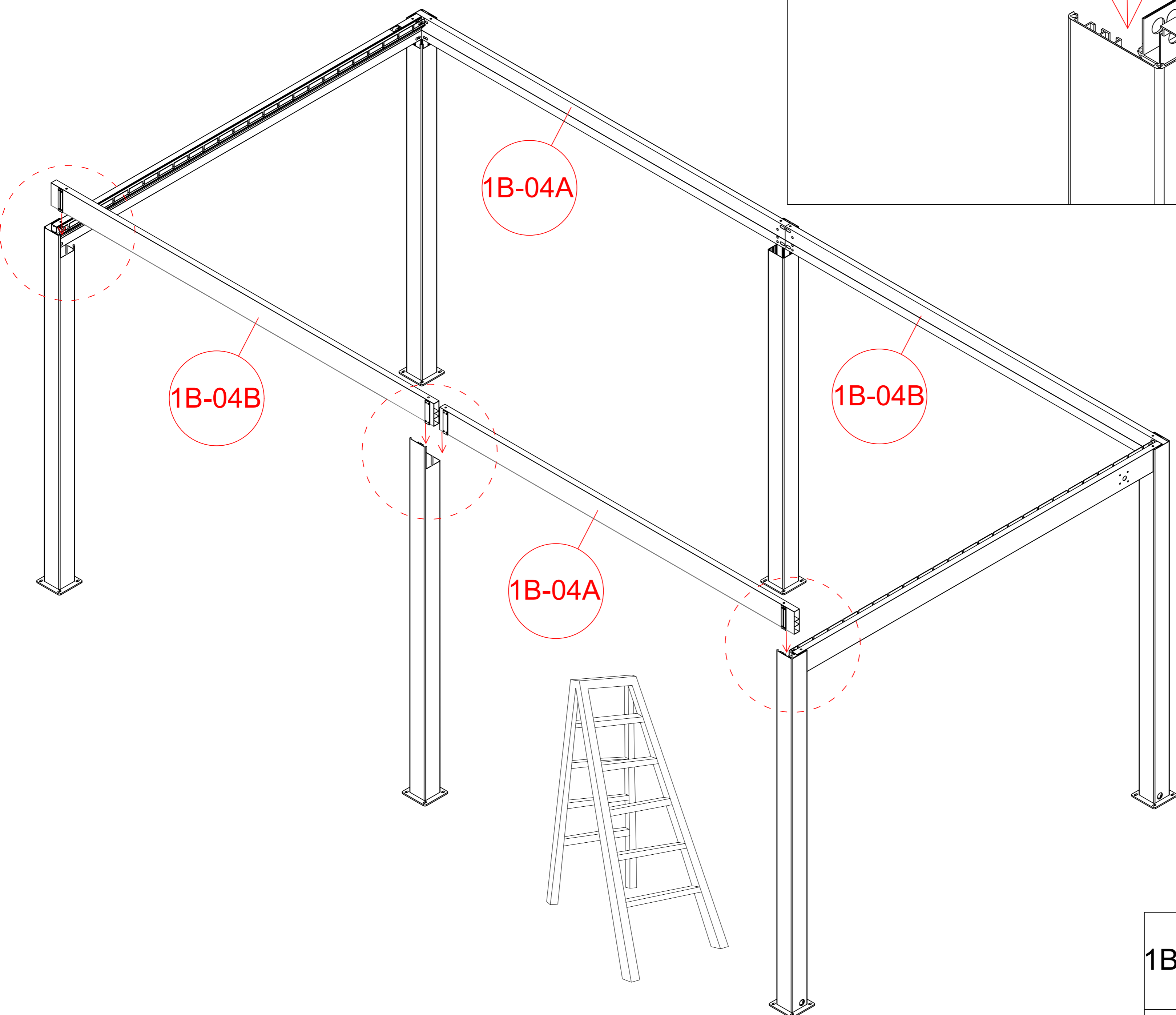
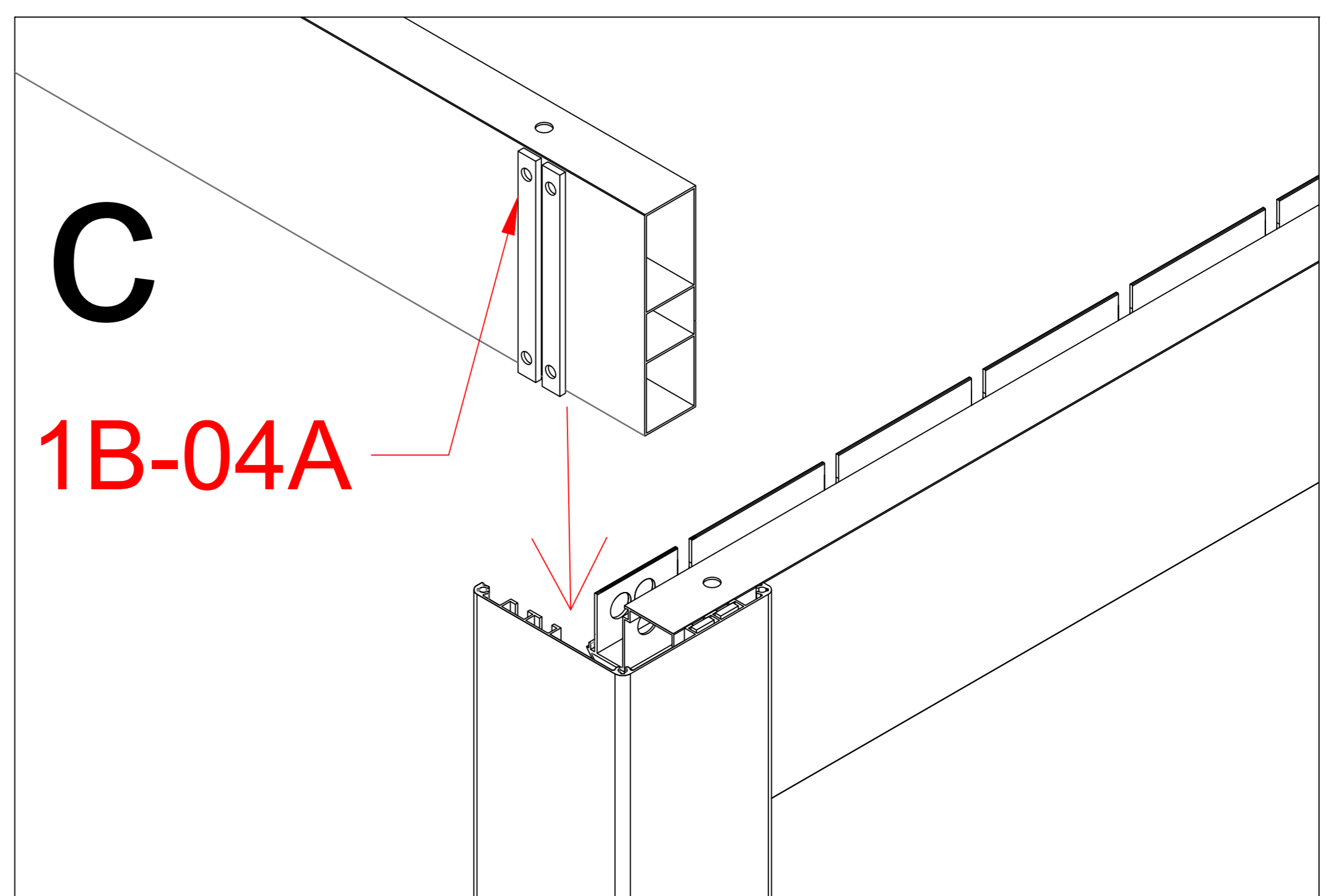
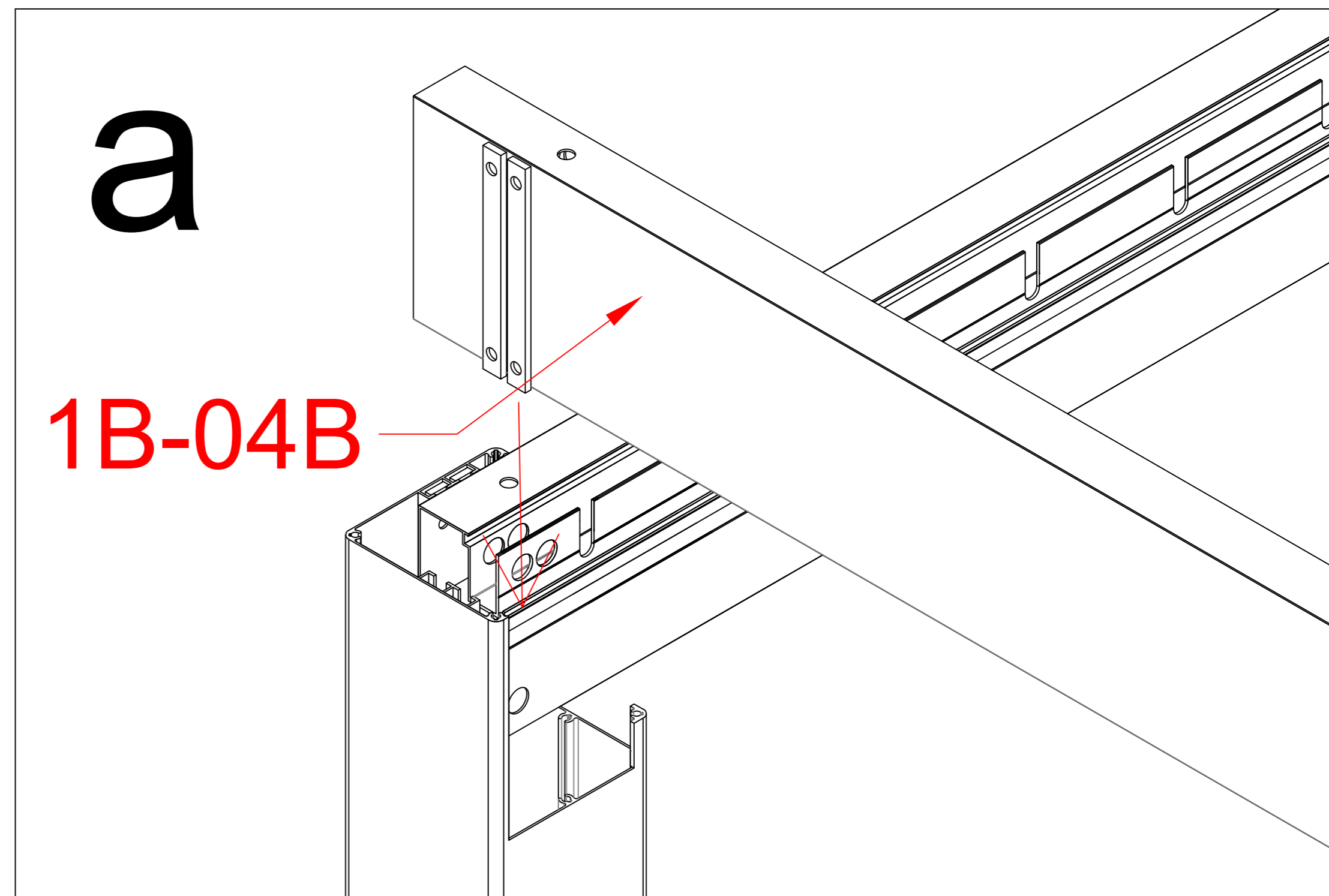
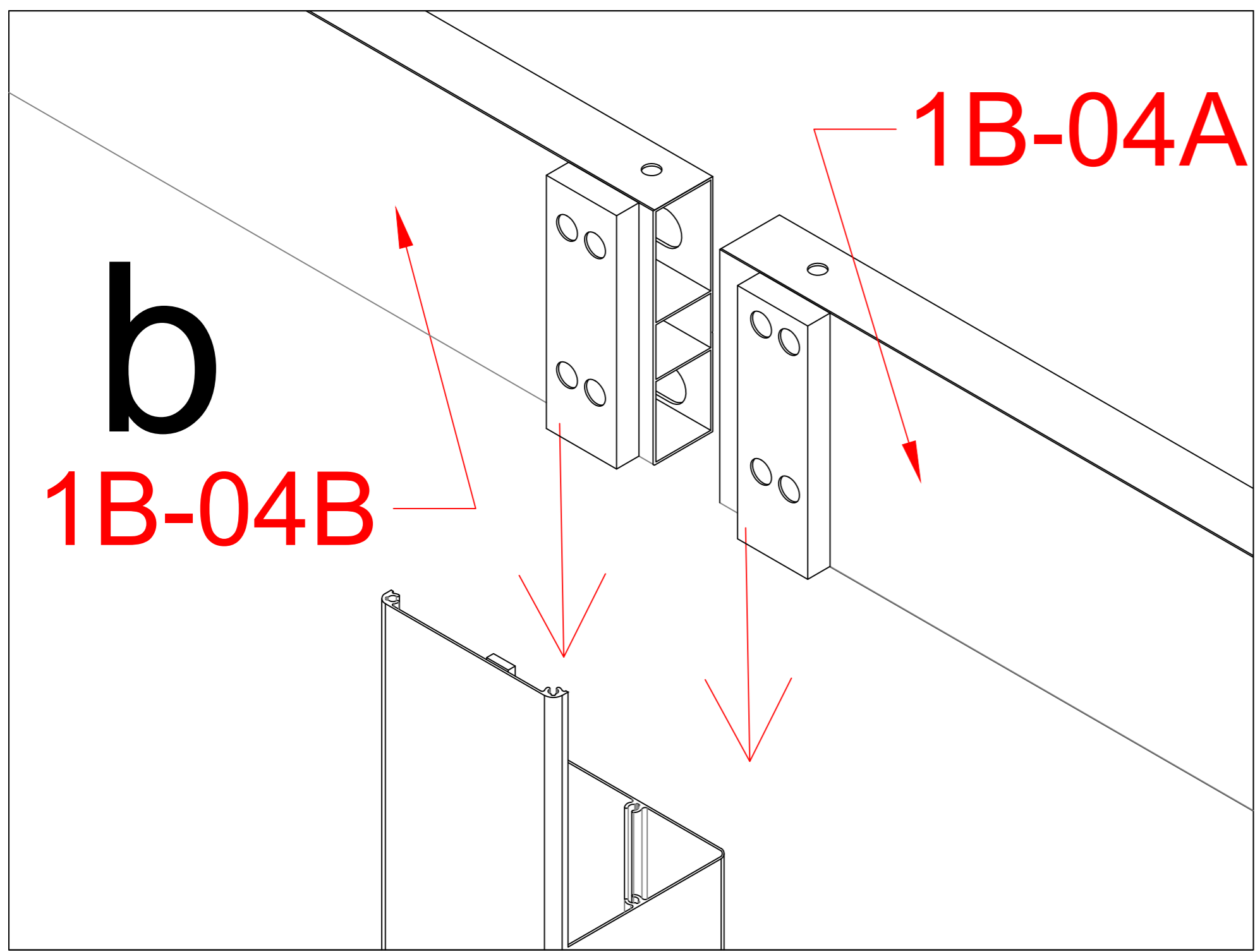
1B-04B		1
--------	--	---



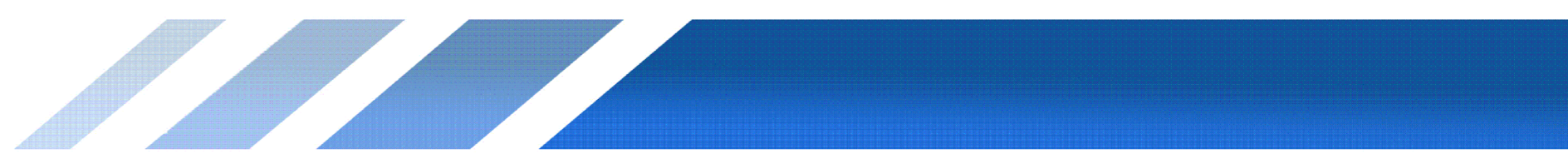


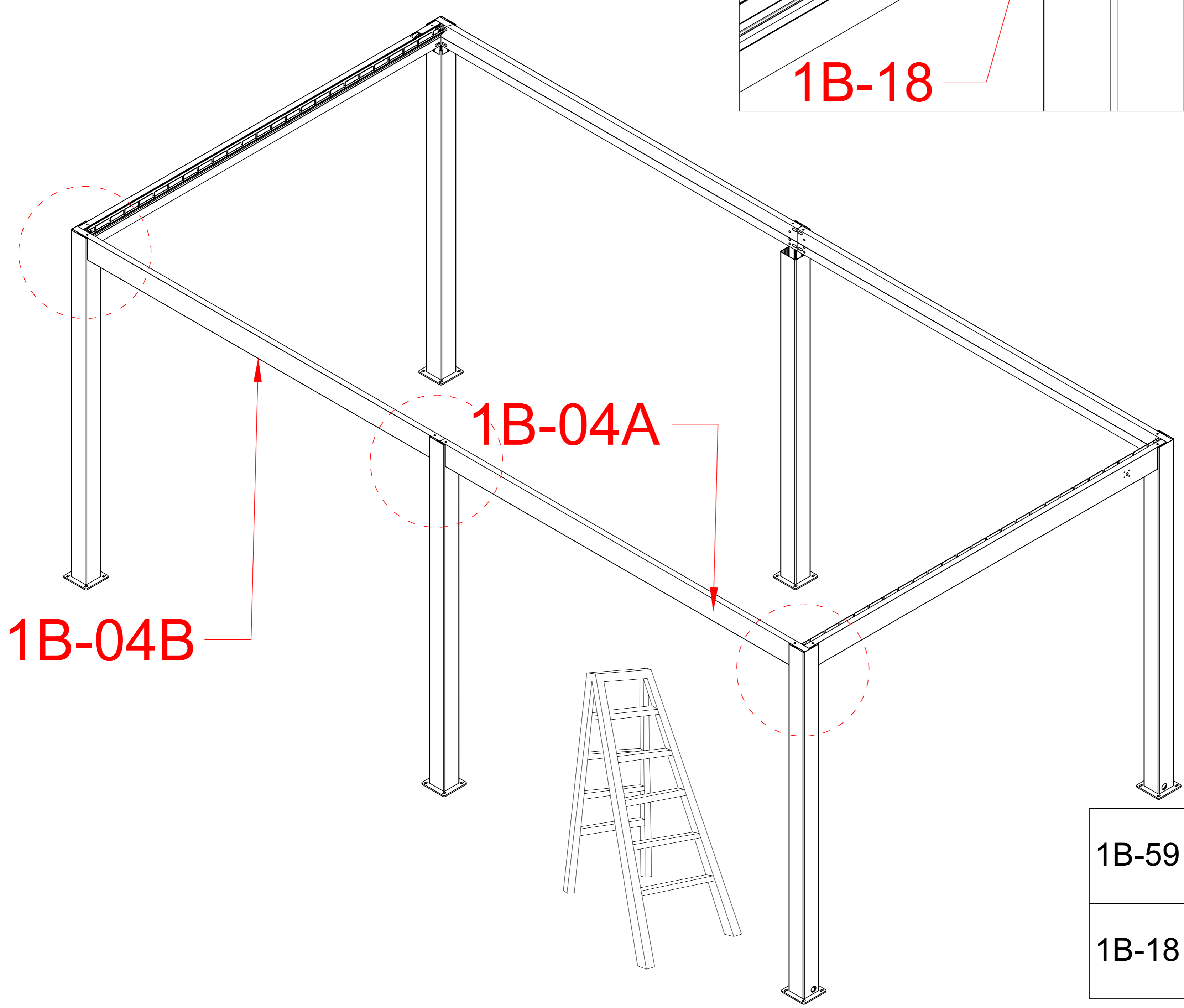
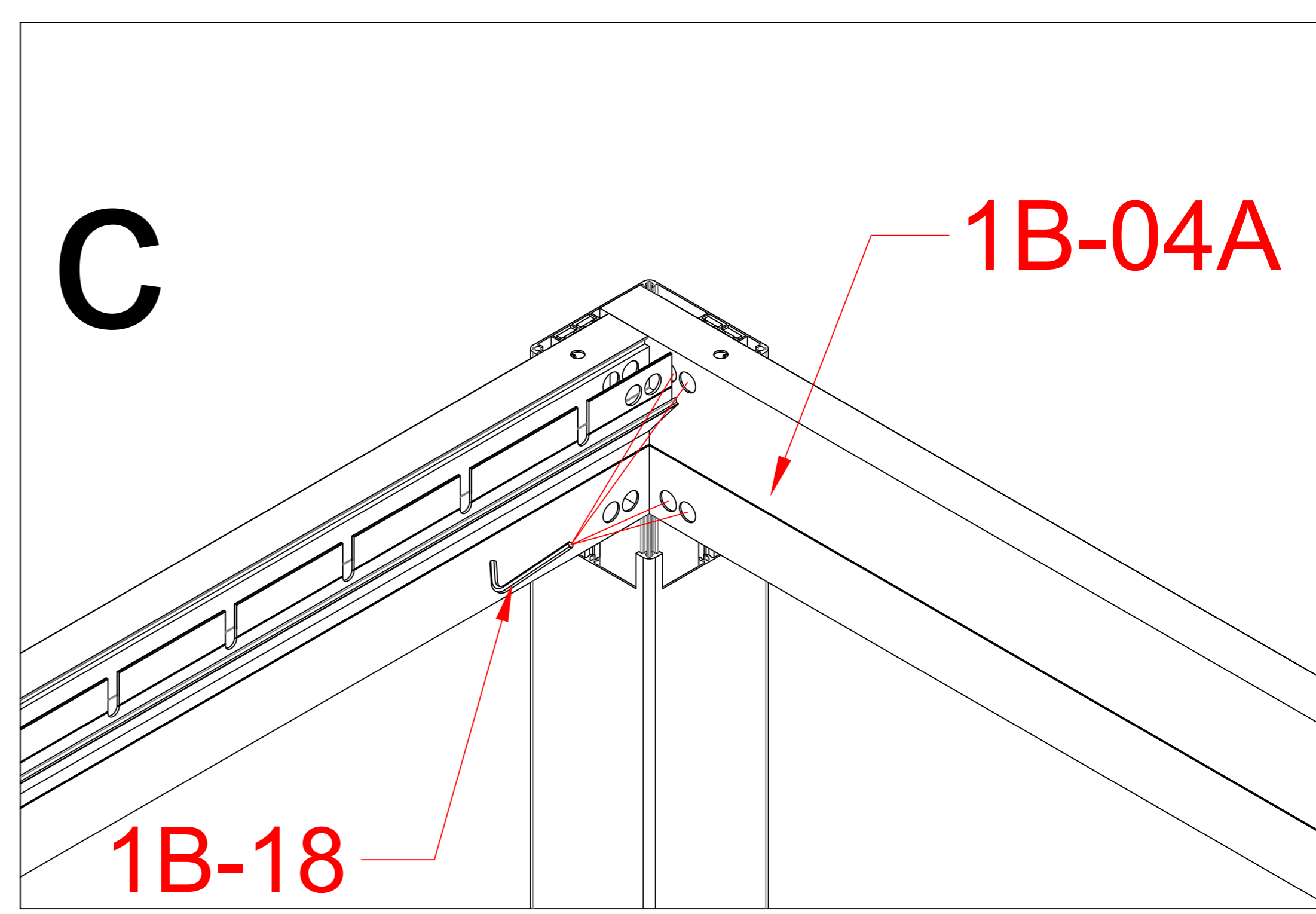
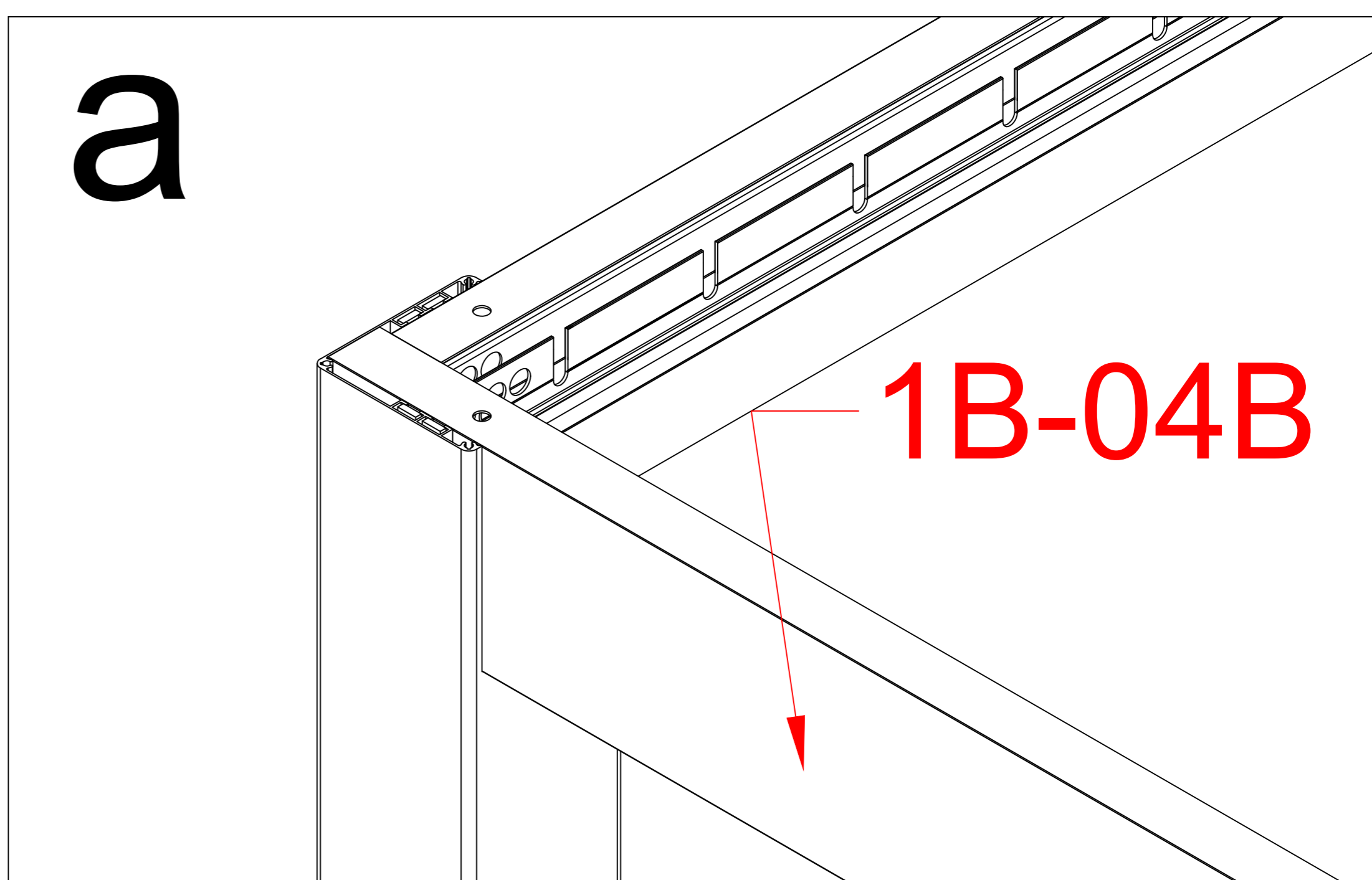
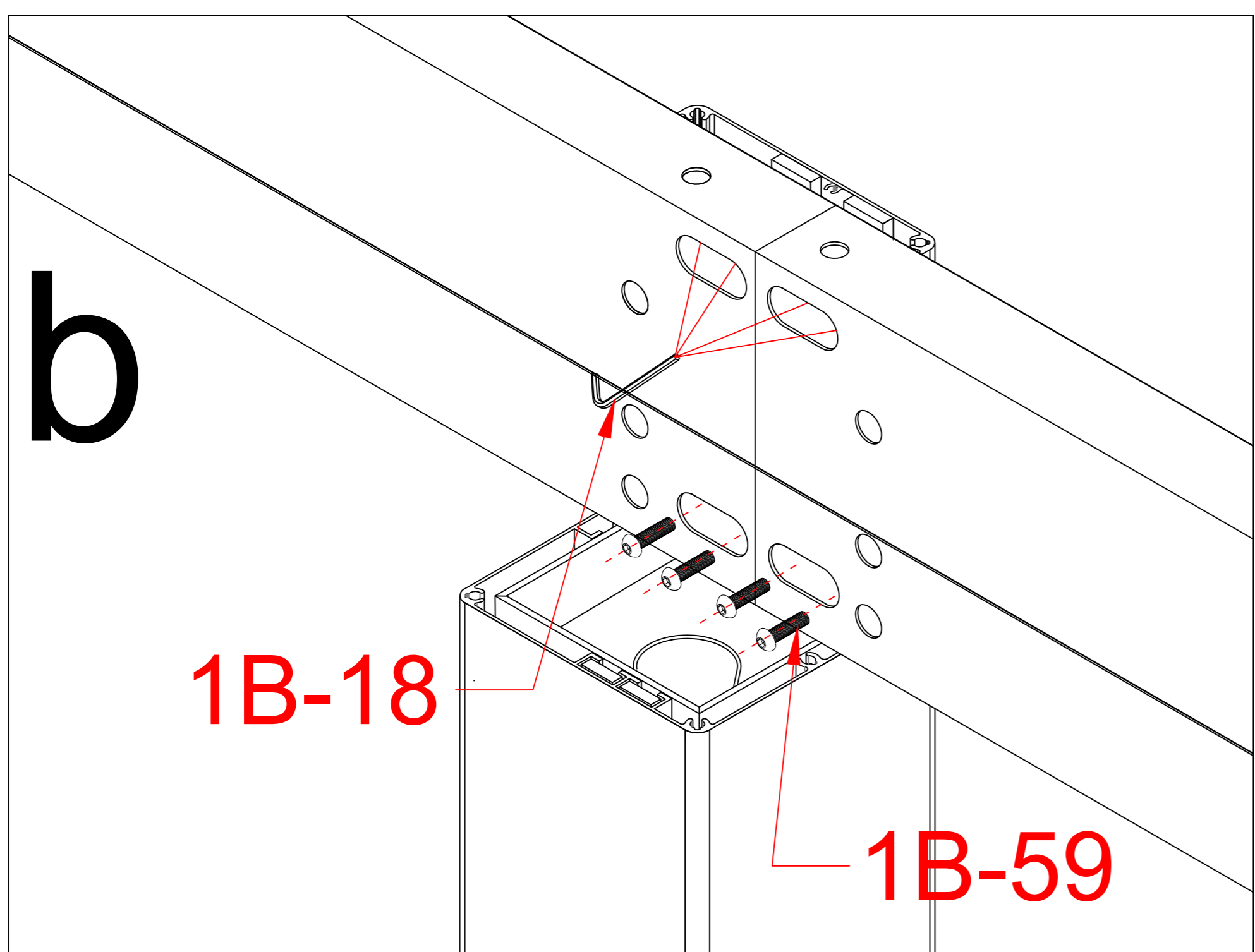
1B-59		2
1B-18		1

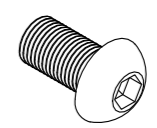



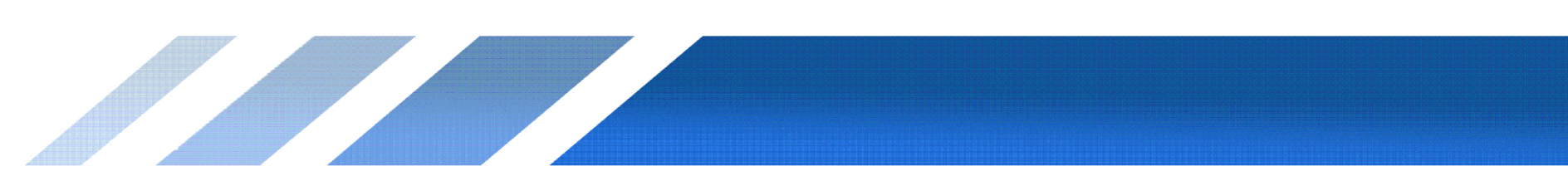


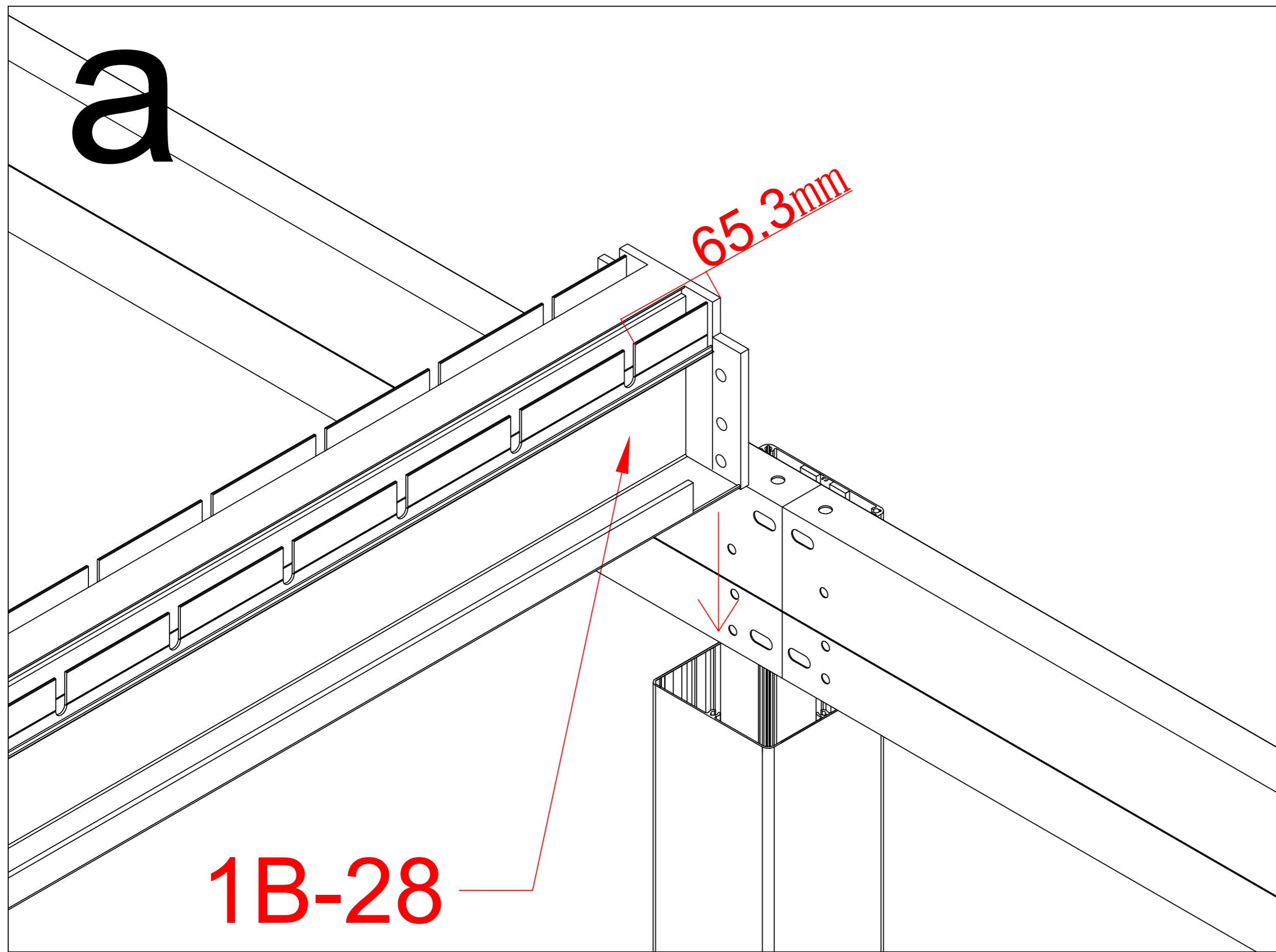
1B-04A		1
1B-04B		1



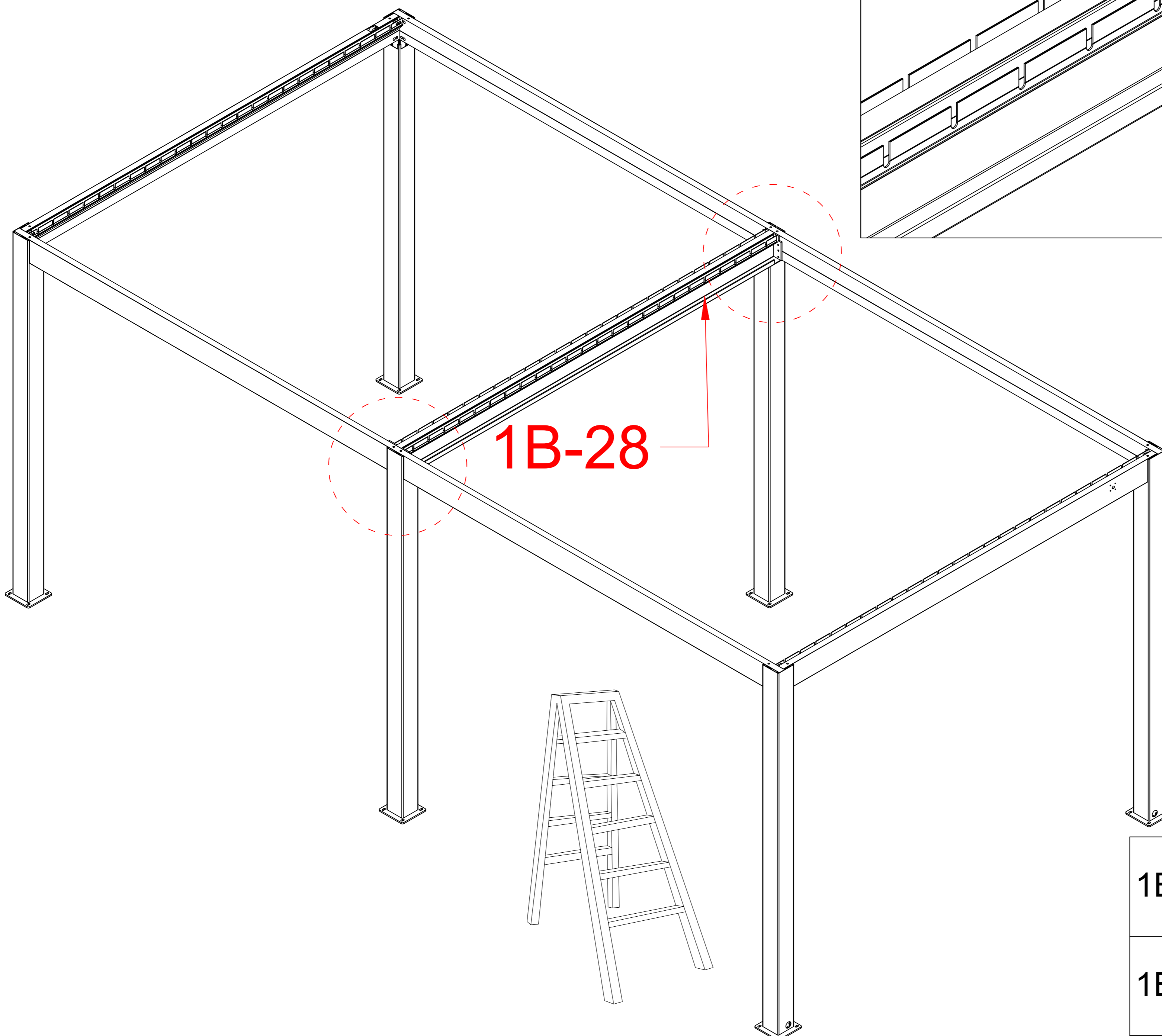
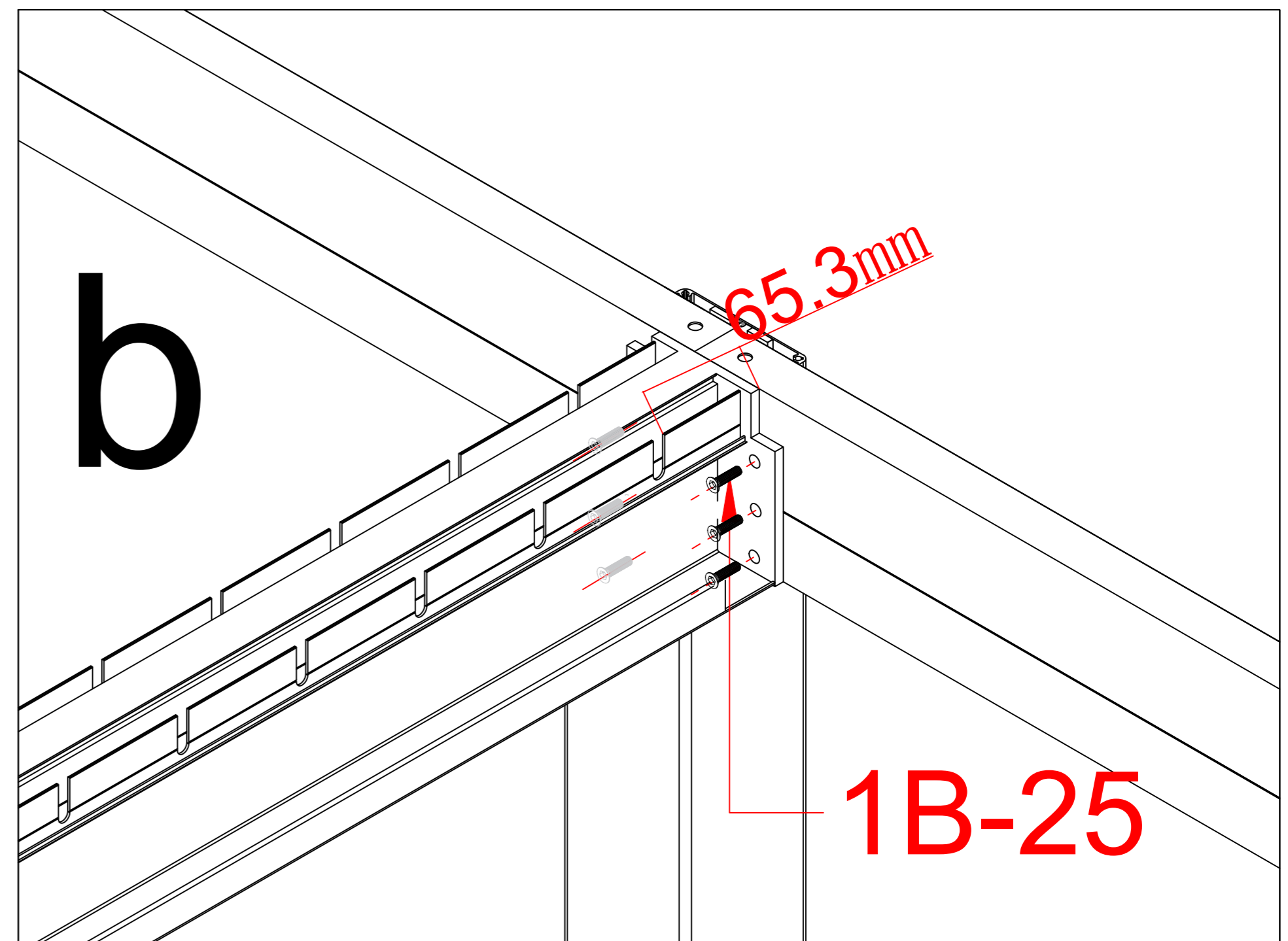



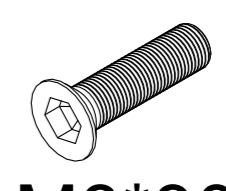
1B-59		4
1B-18		1

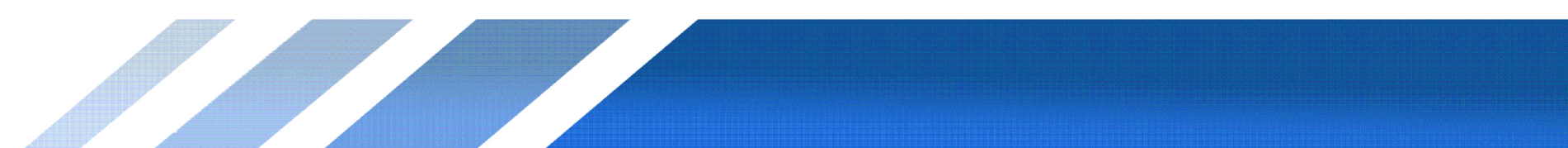




Warning:
The distance here should be the same as the distance between the main frames on both sides



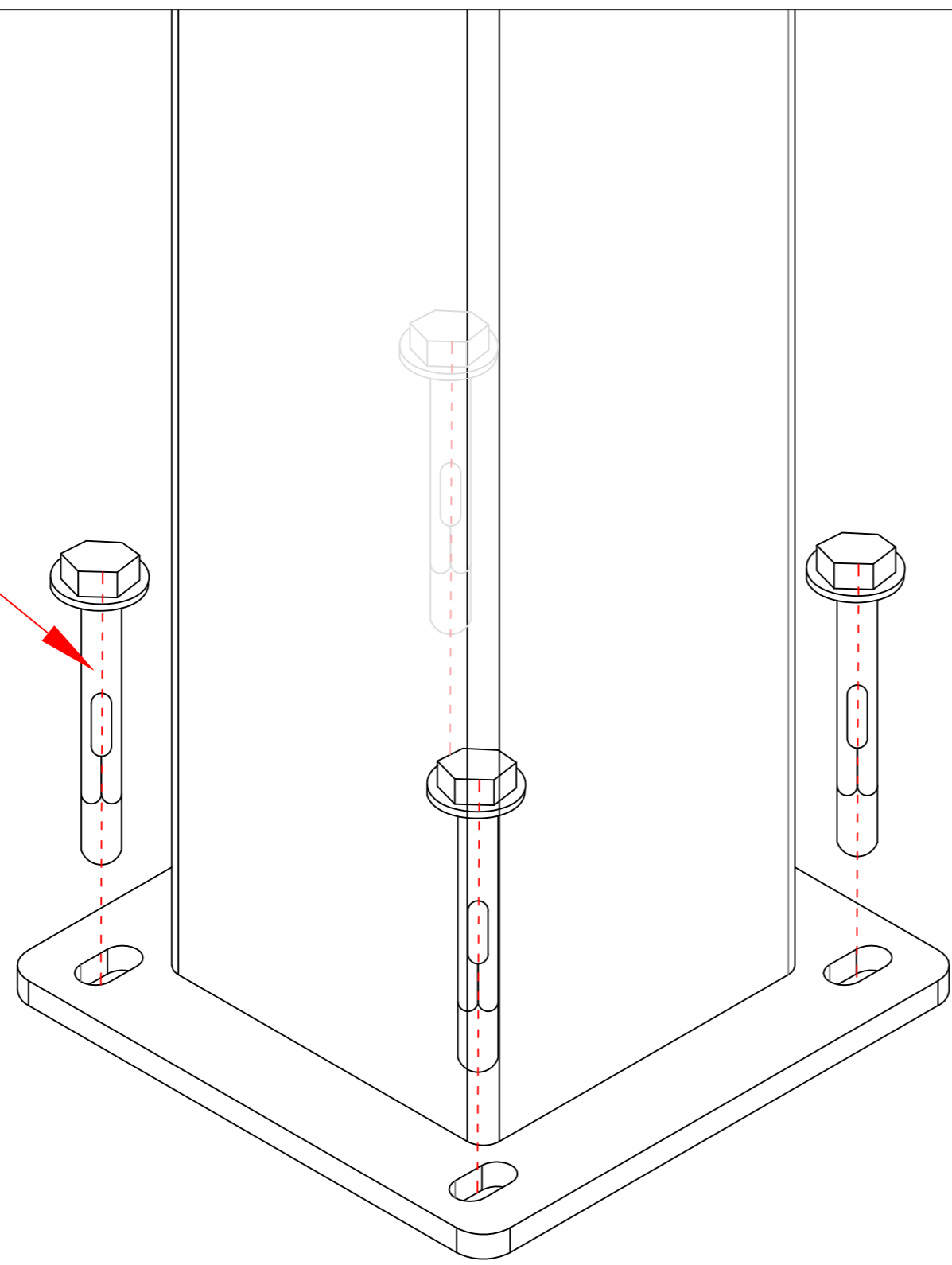
1B-28		1
1B-25	 M8*30	12





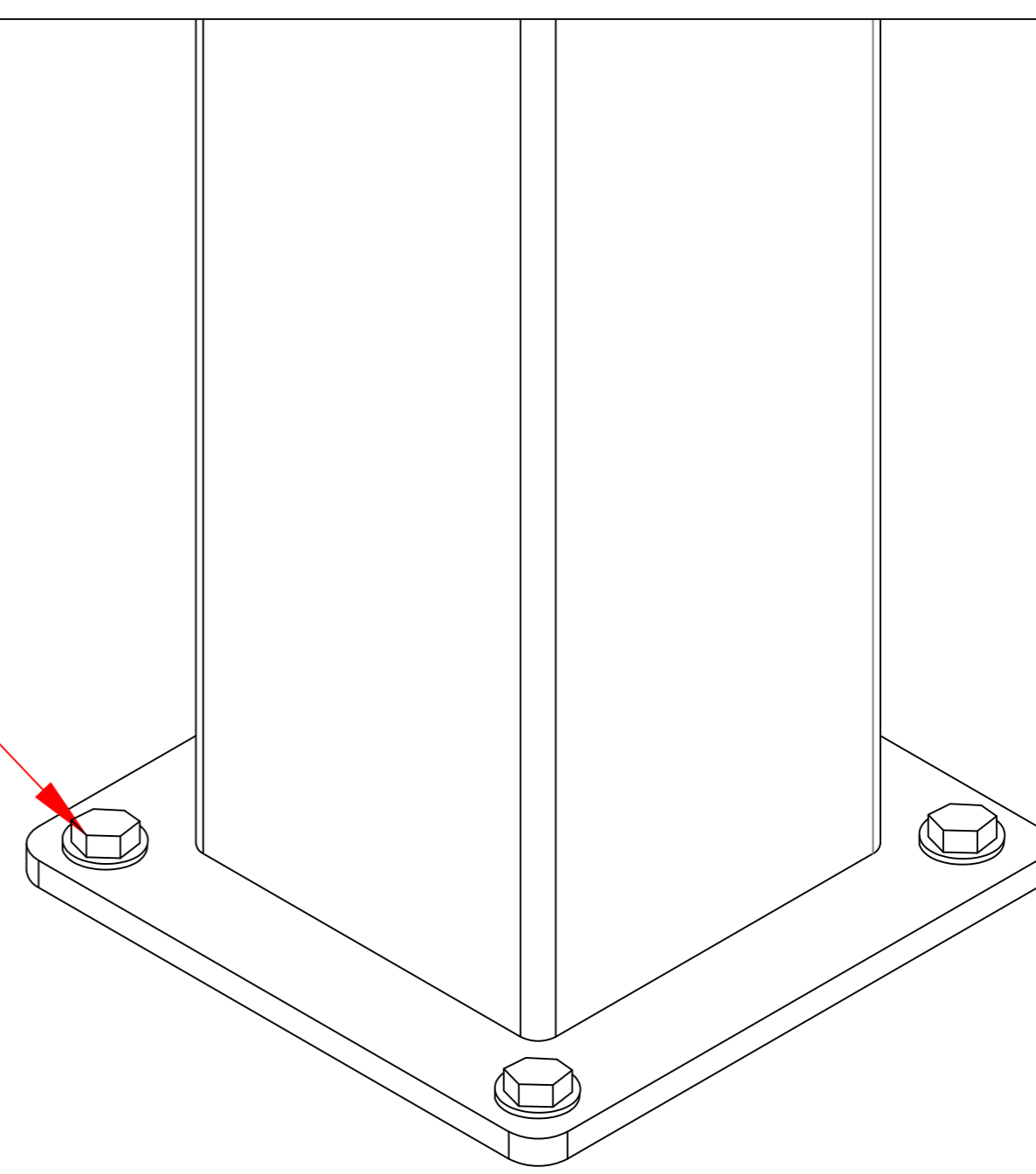
a

1B-21

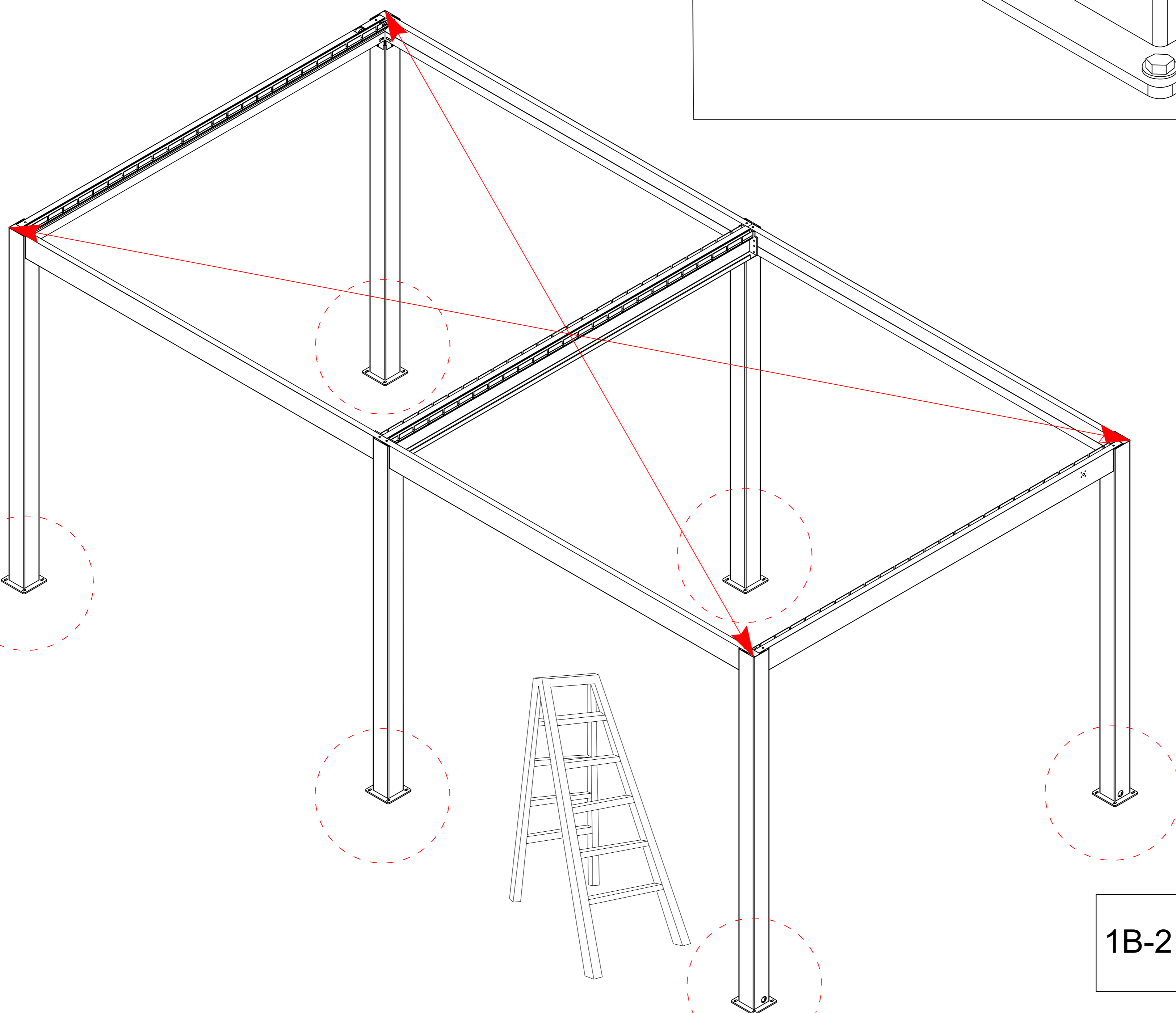


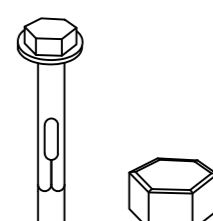
b

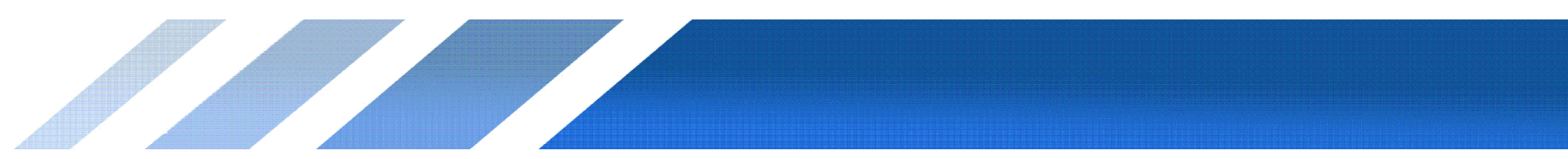
1B-21

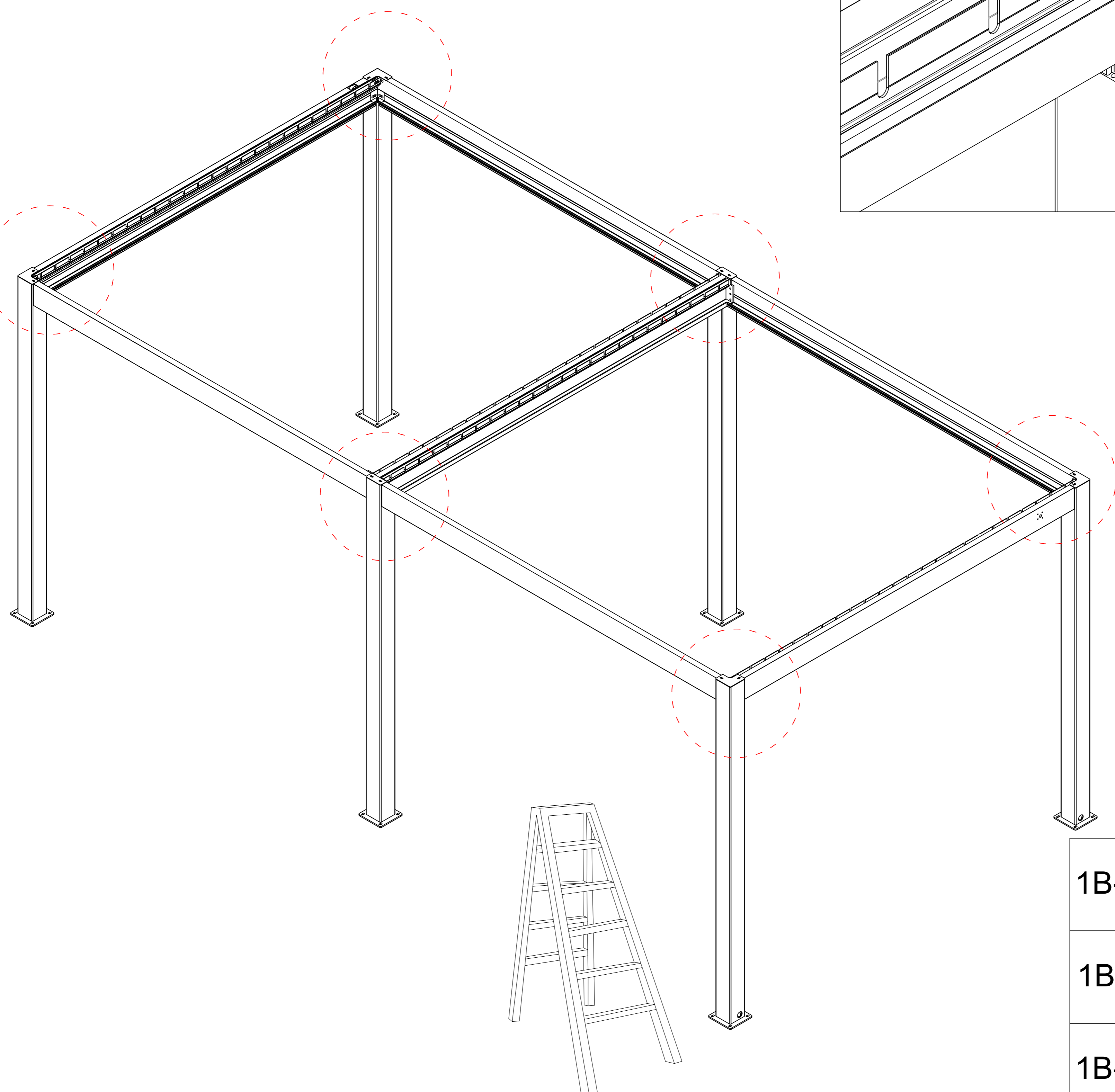
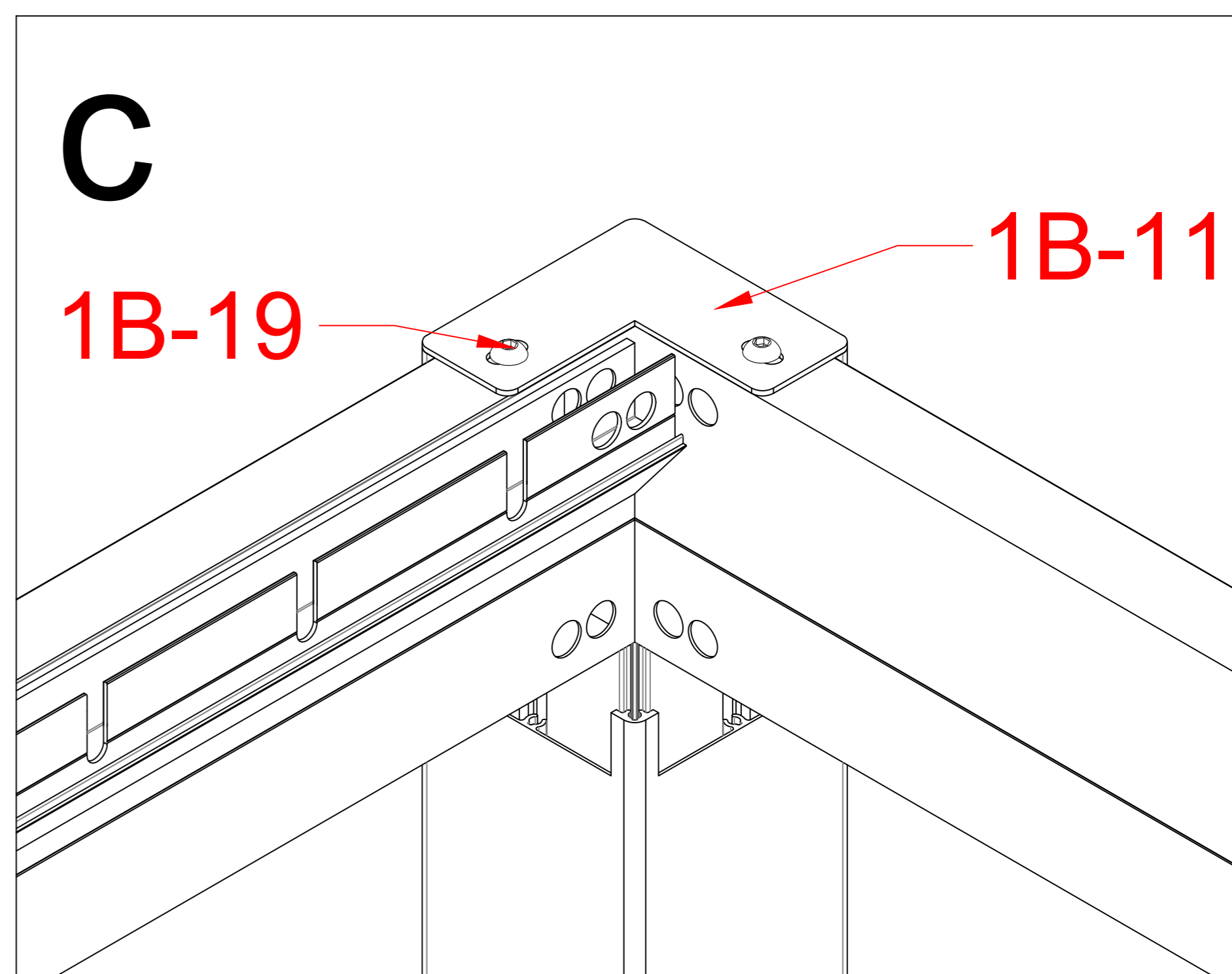
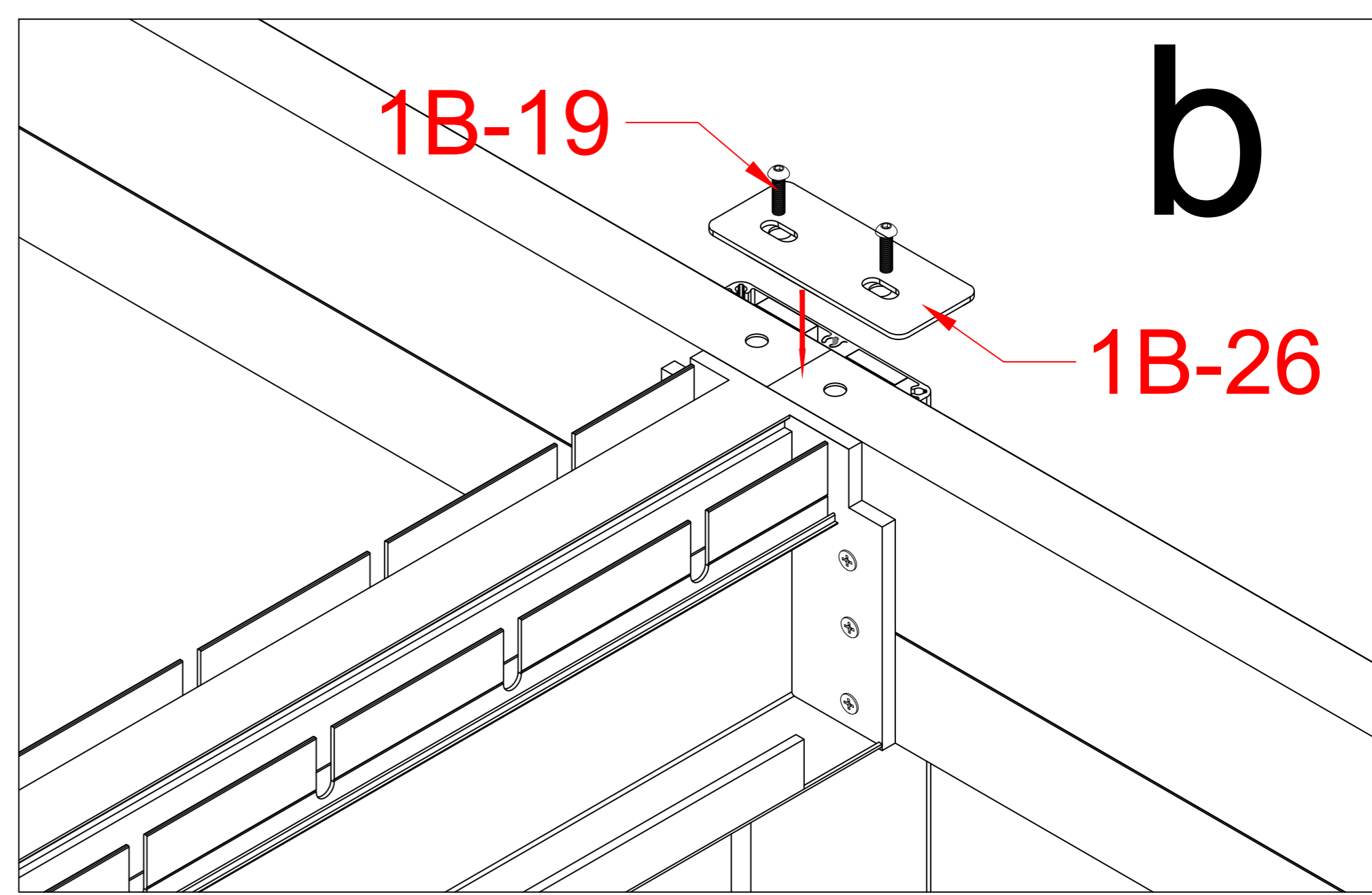
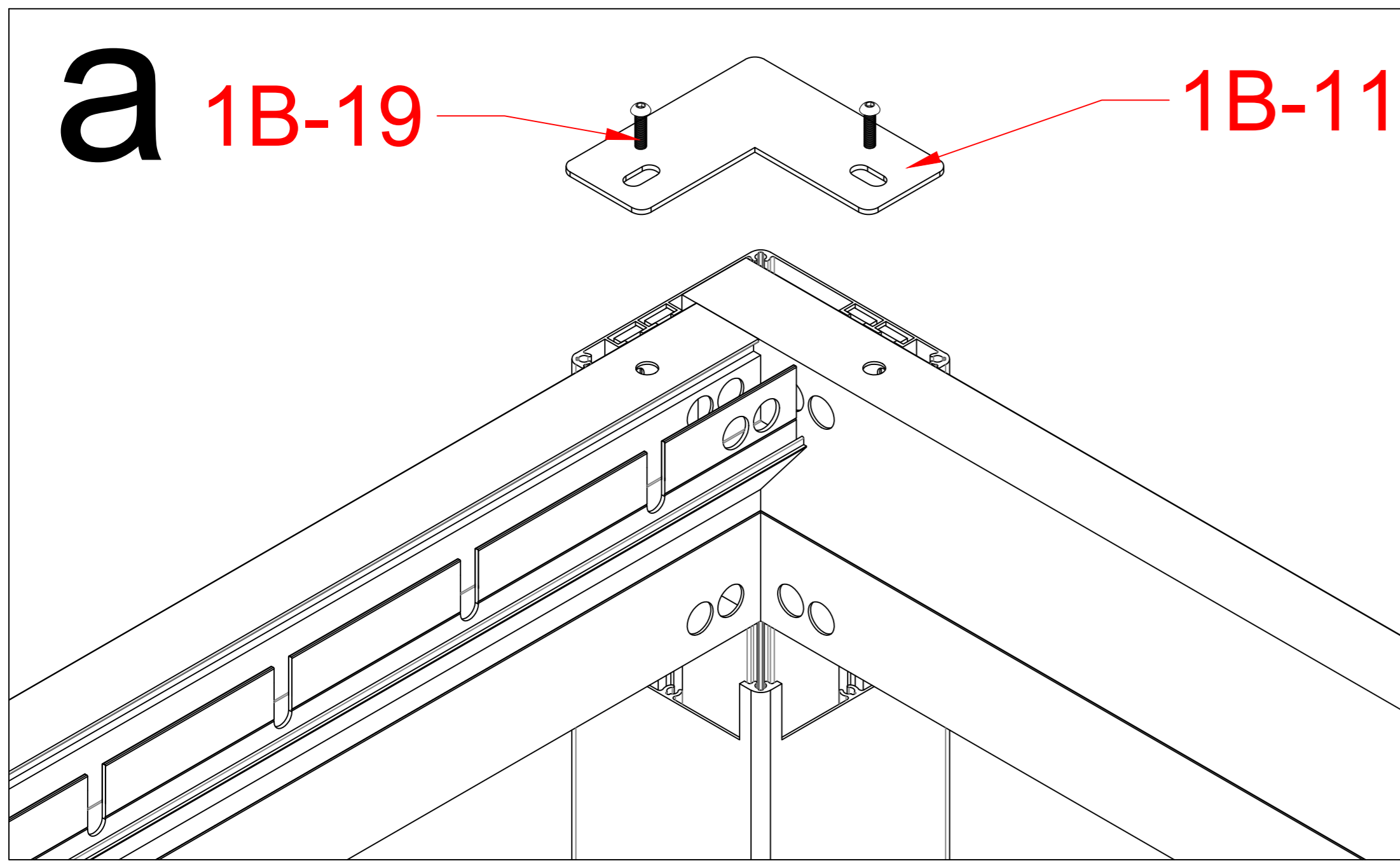


Pls measure the diagonal size and make sure the diagonal size keeps same before screw 1B-21 mounted. If not, pls adjust it to same size.

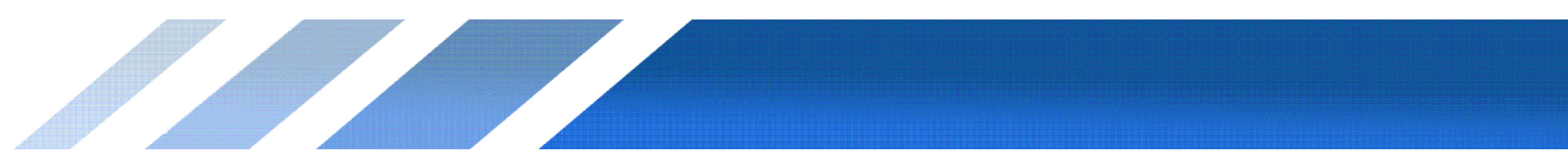


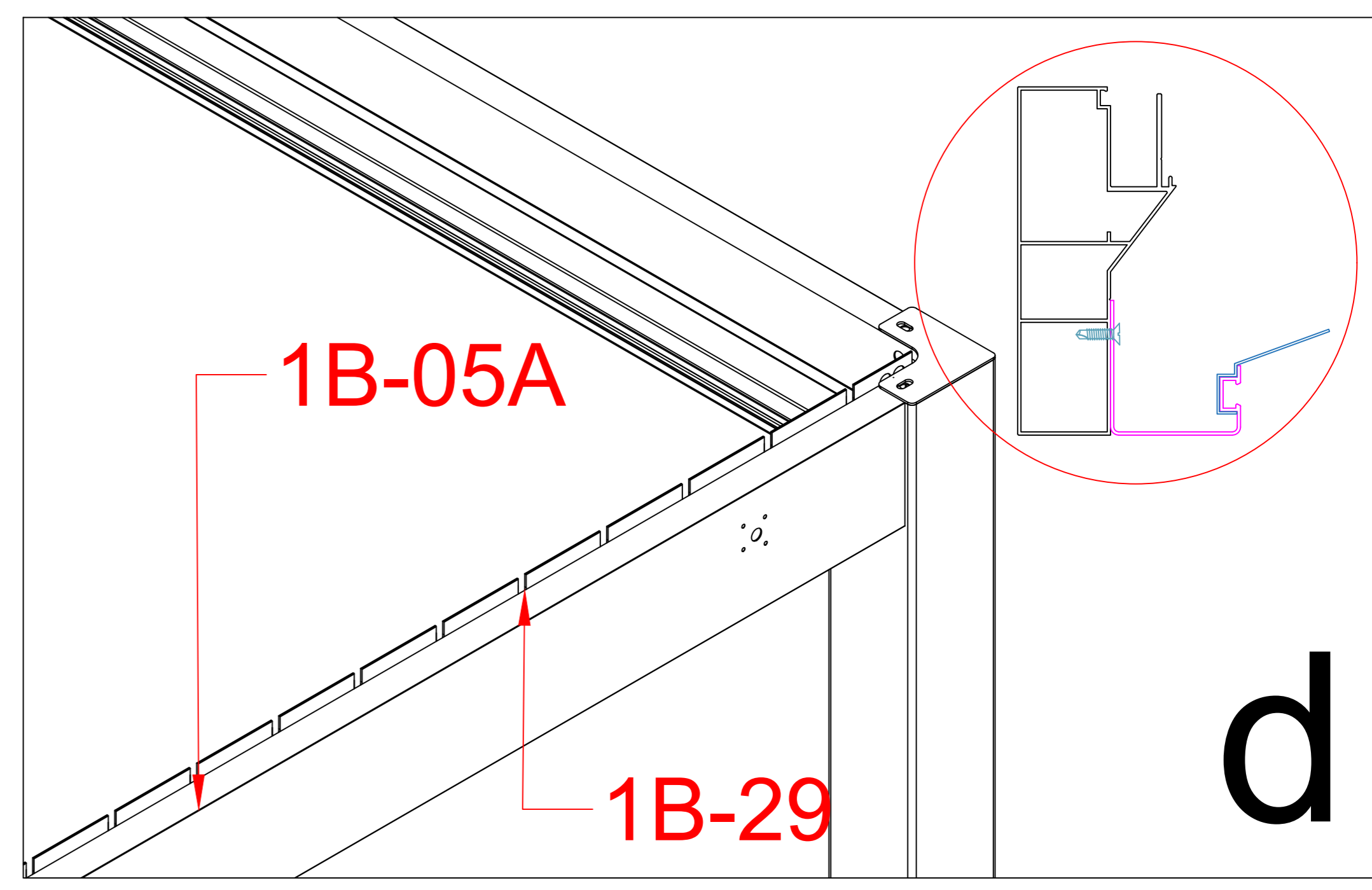
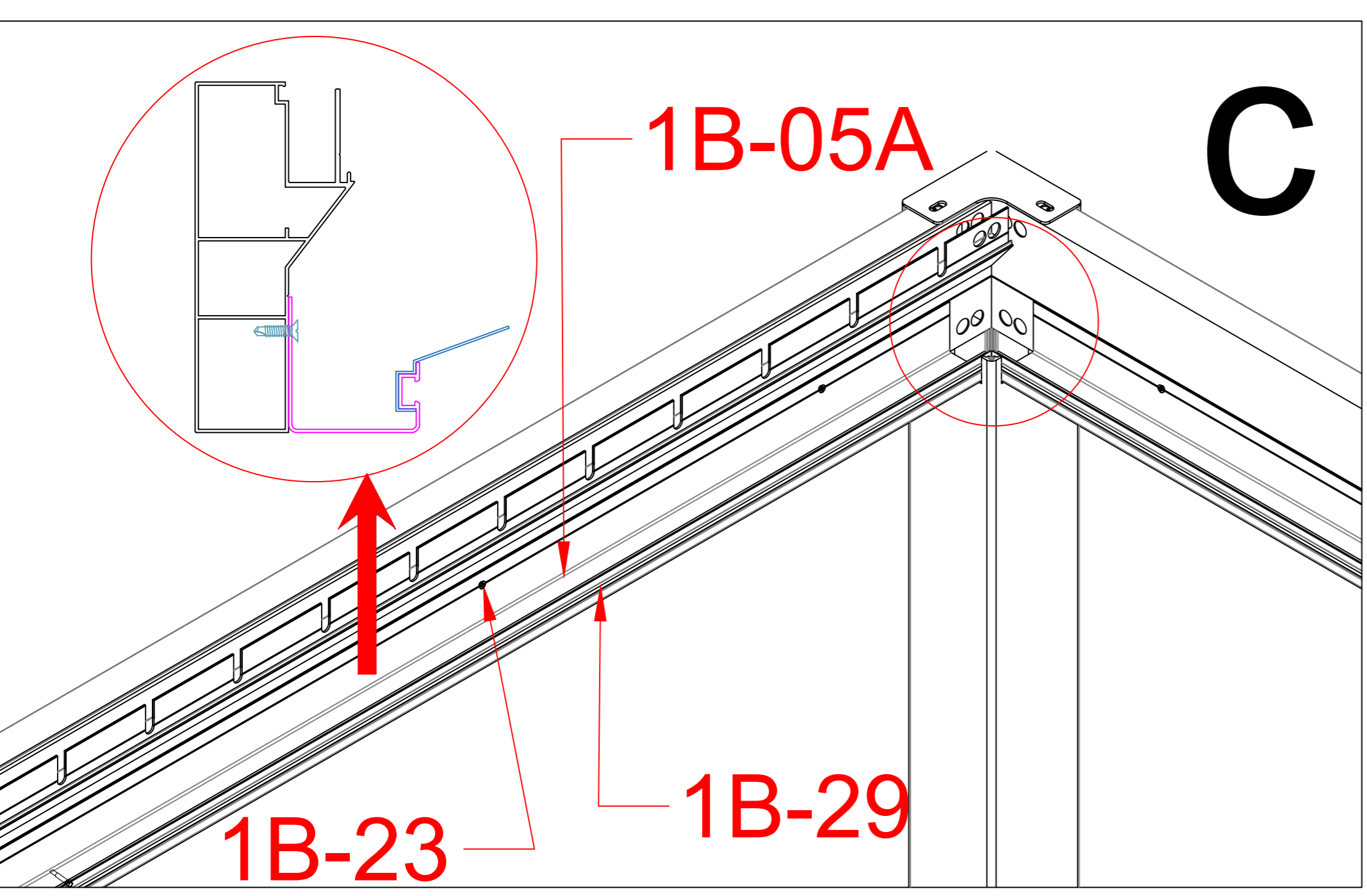
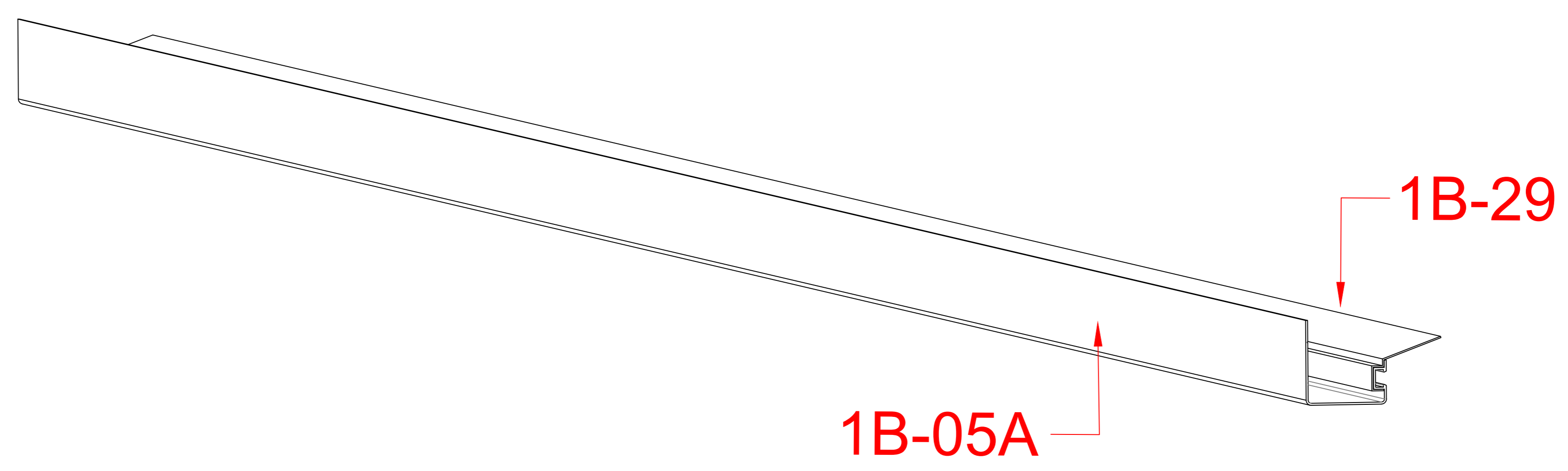
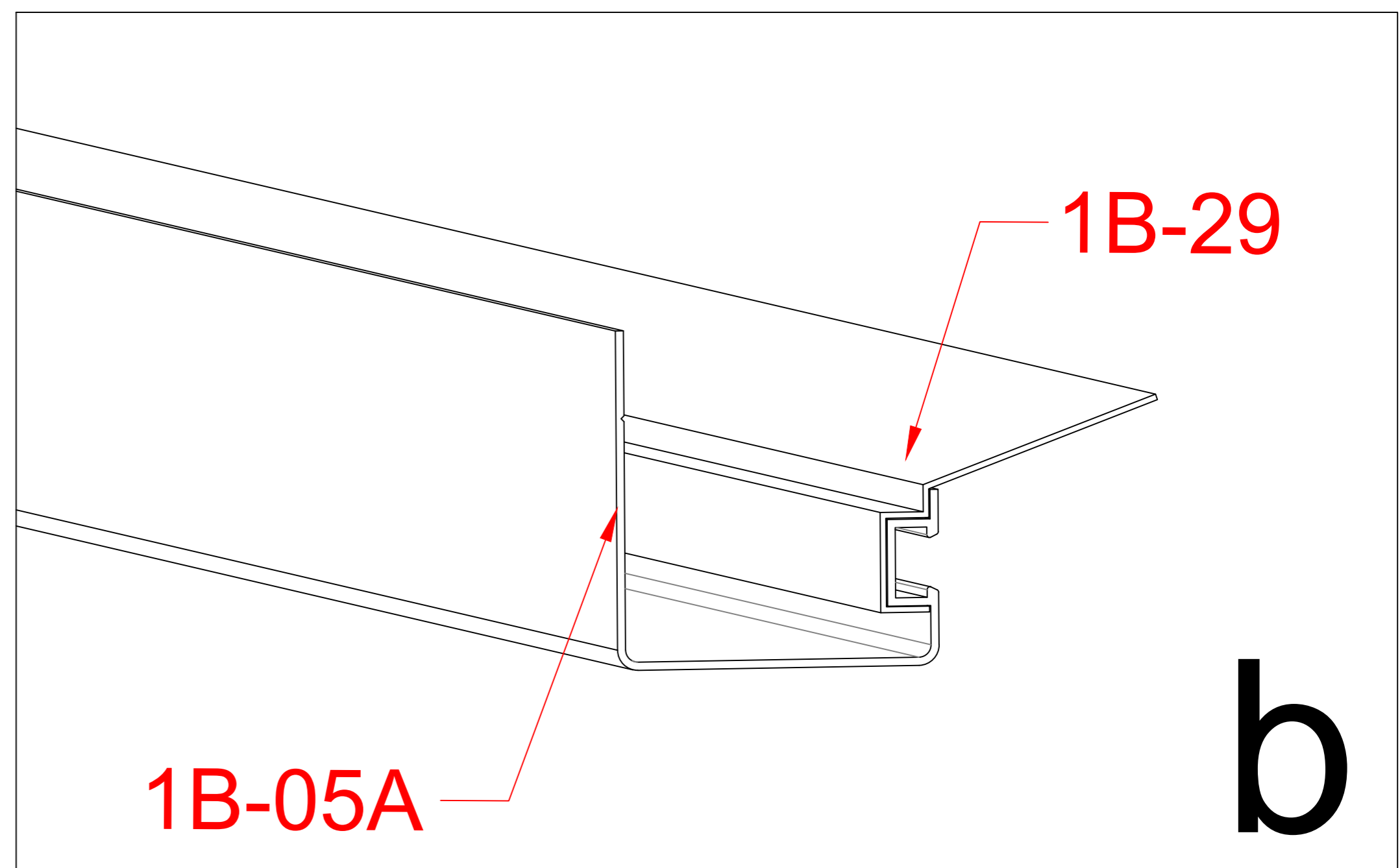
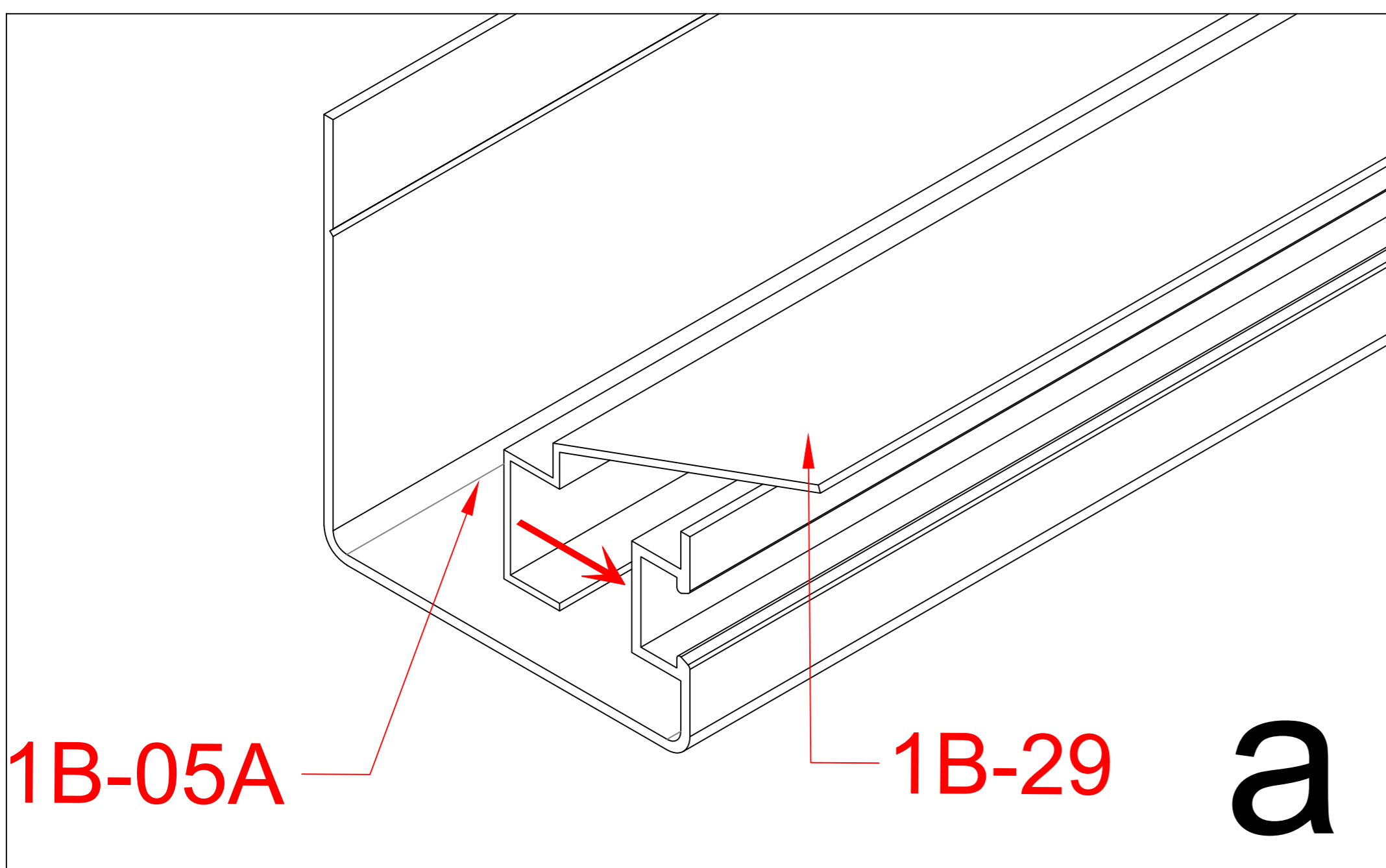
1B-21		24
-------	---	----

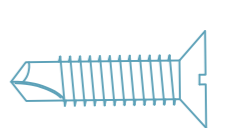
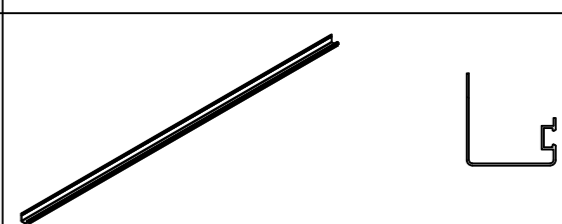



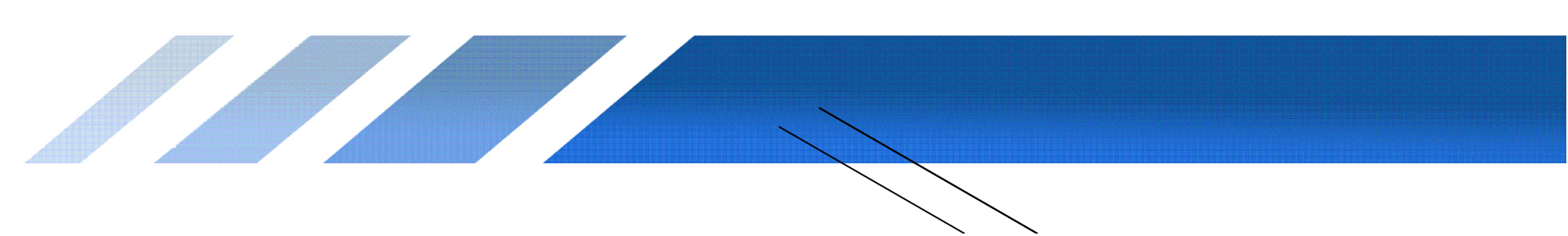


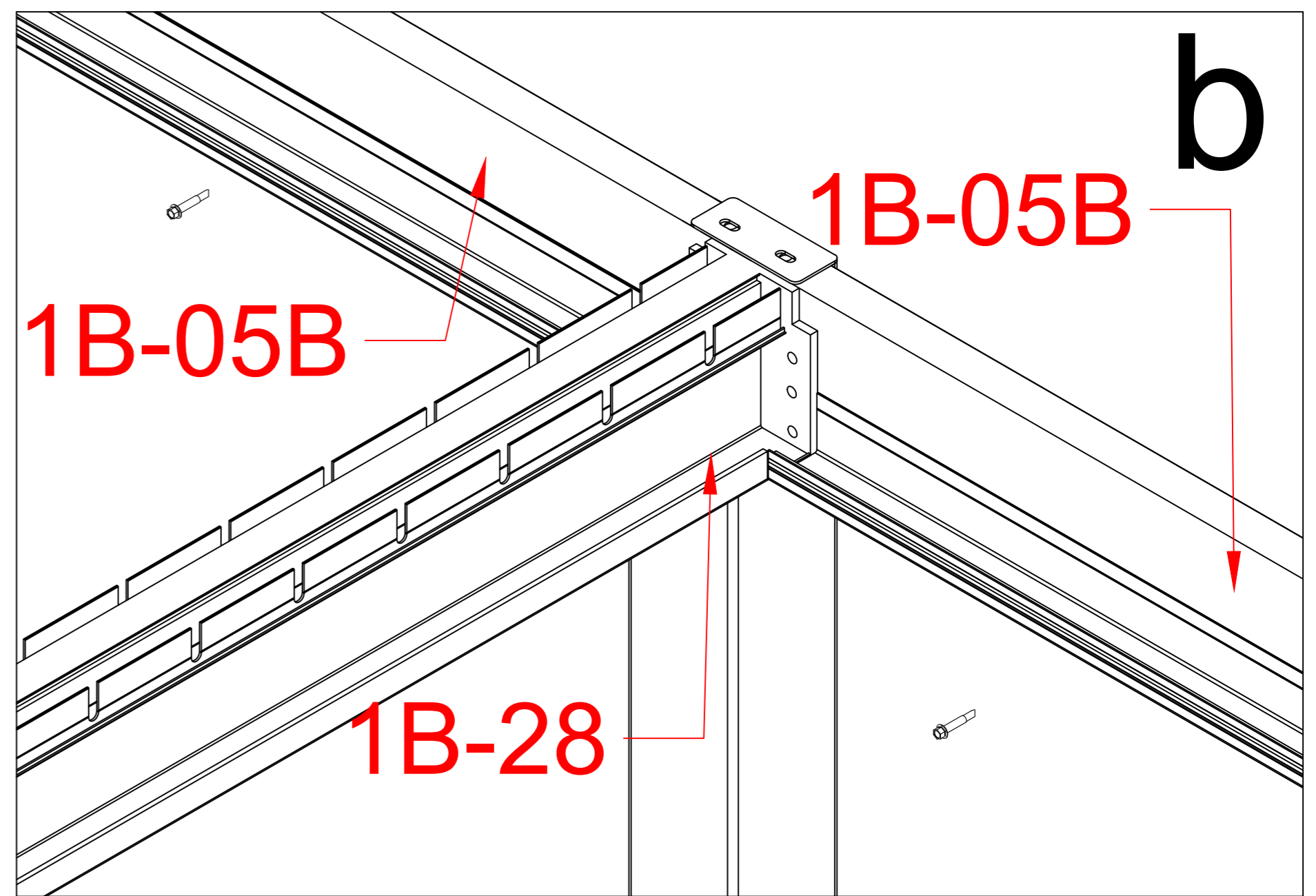
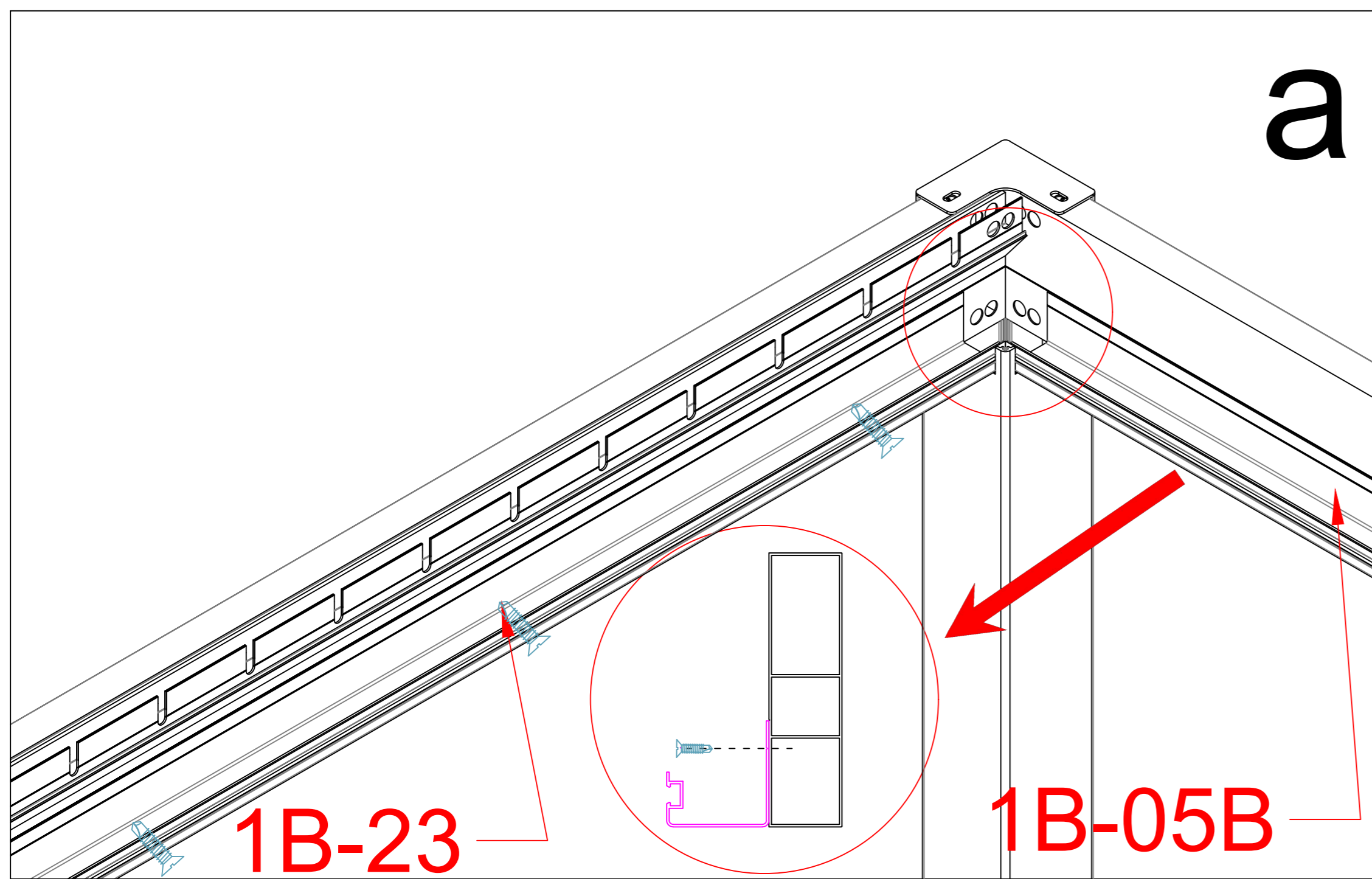
1B-26		2
1B-11		4
1B-19		12



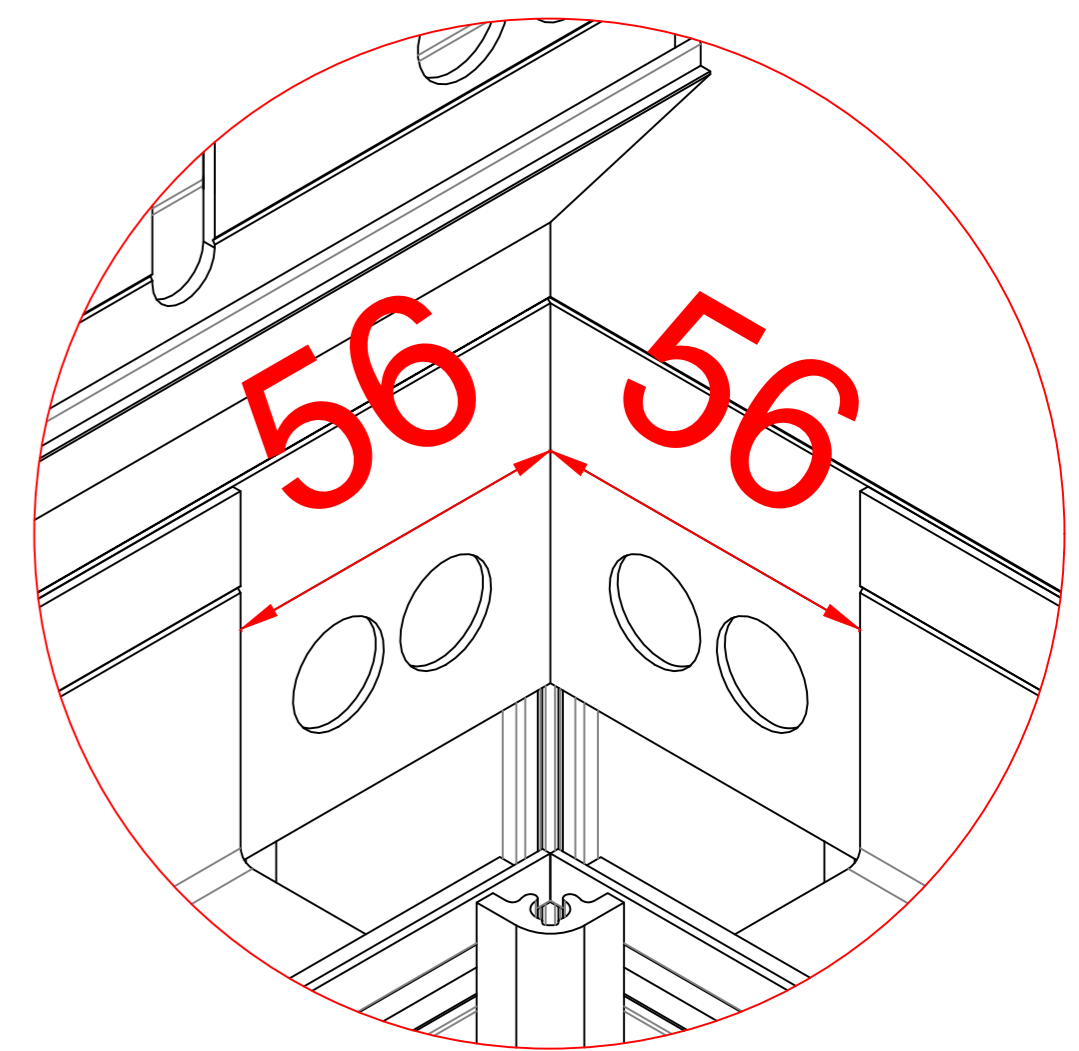
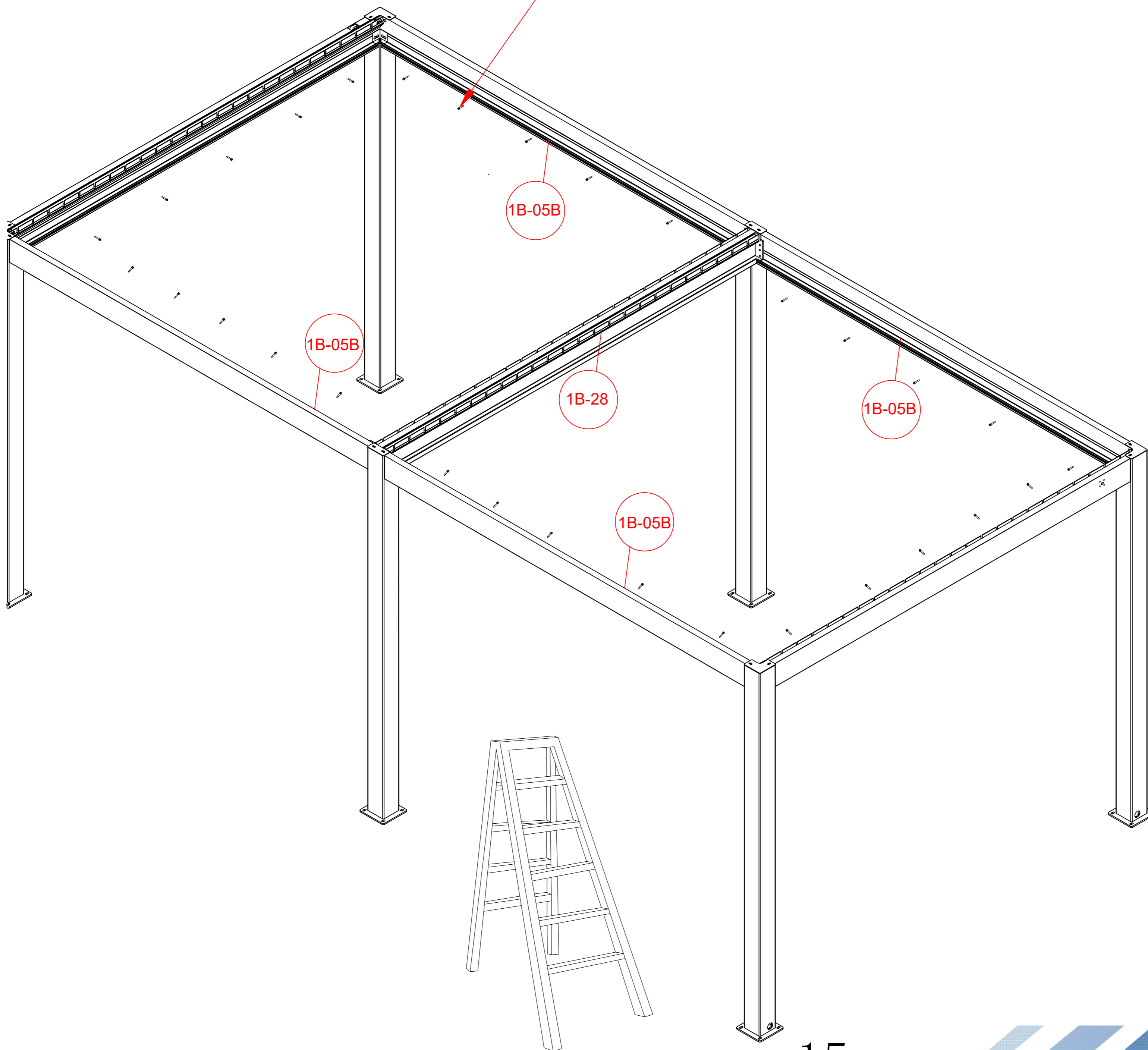
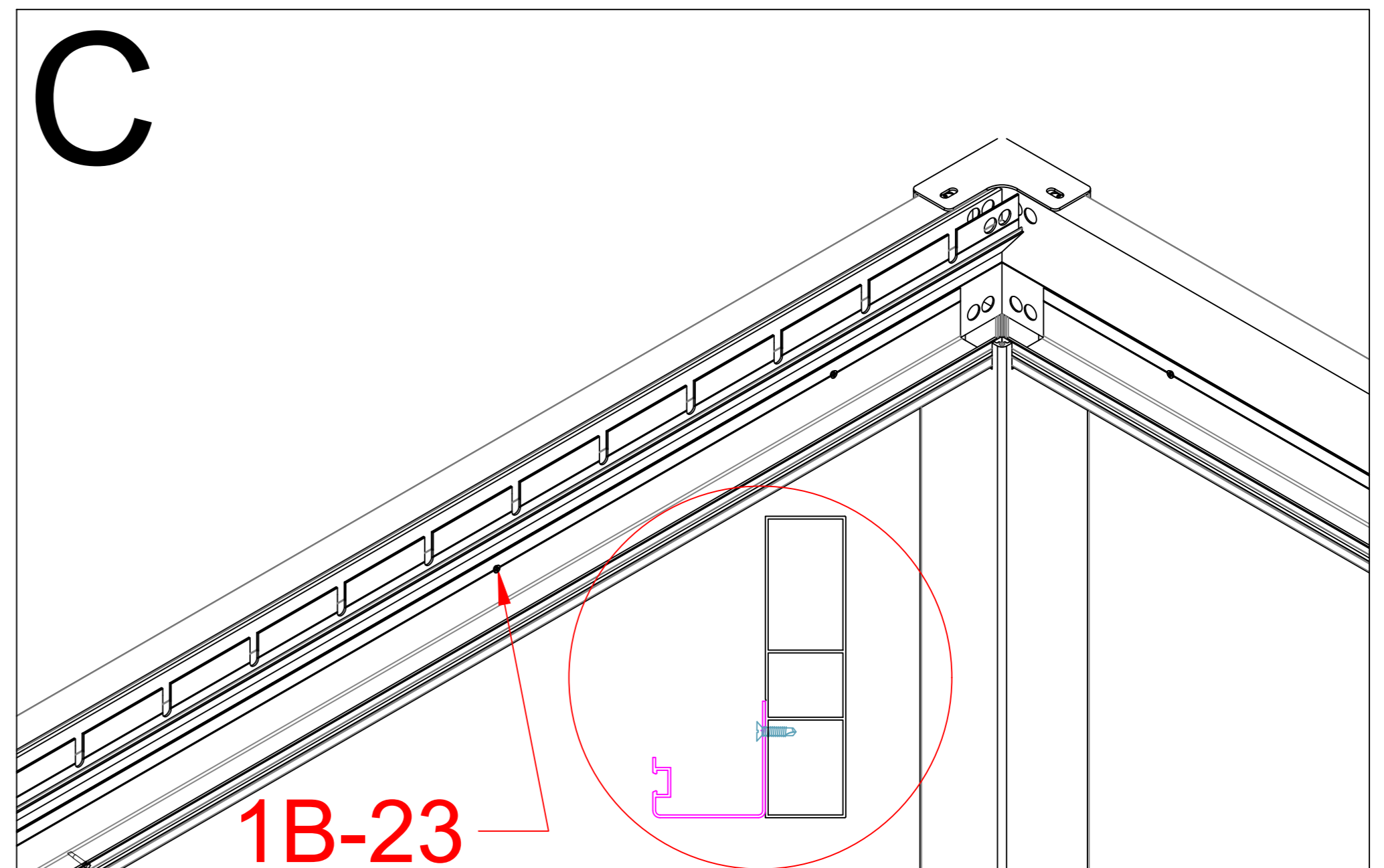
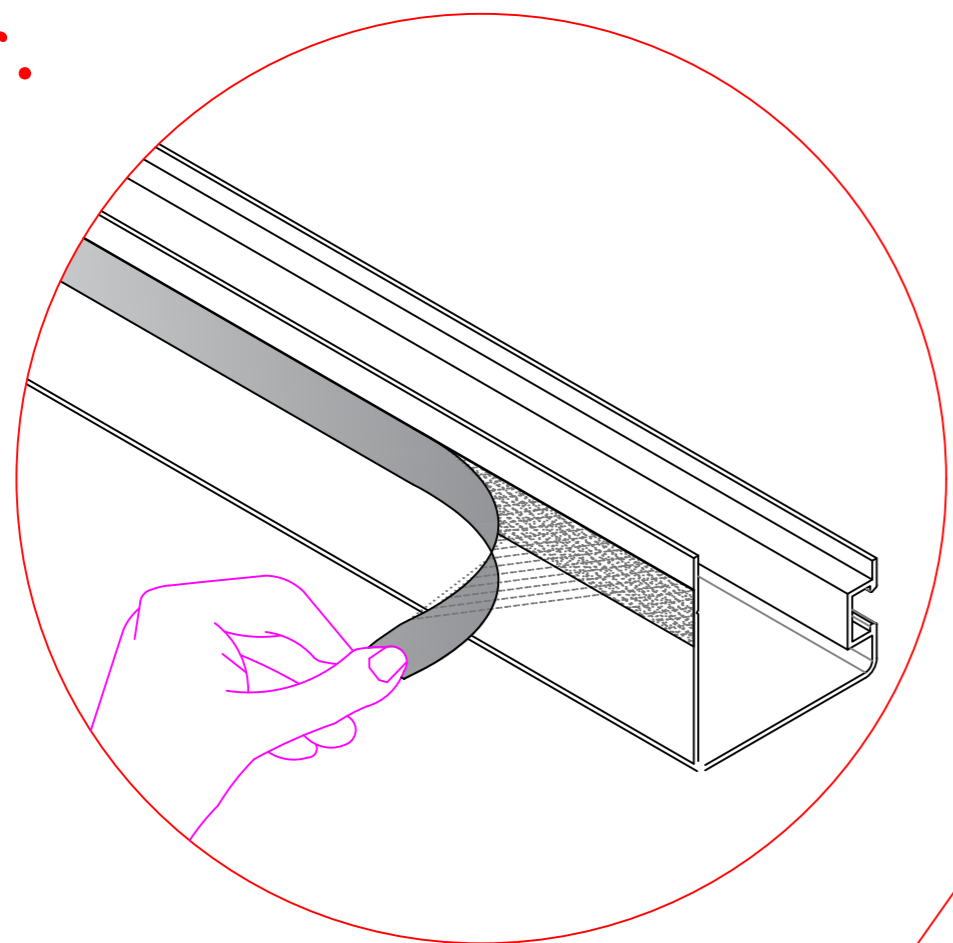


1B-23		10
1B-05A		2
1B-29		2

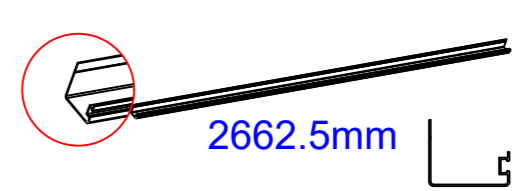
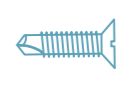


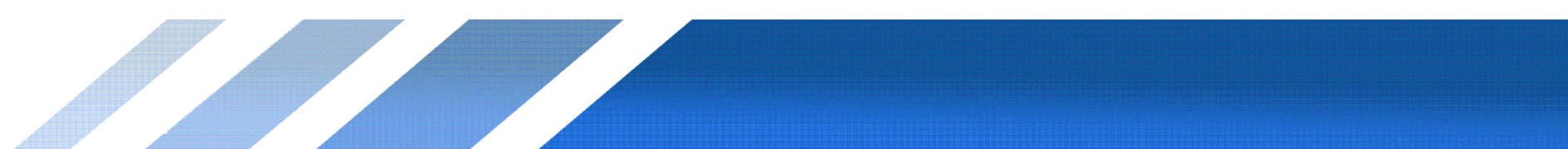


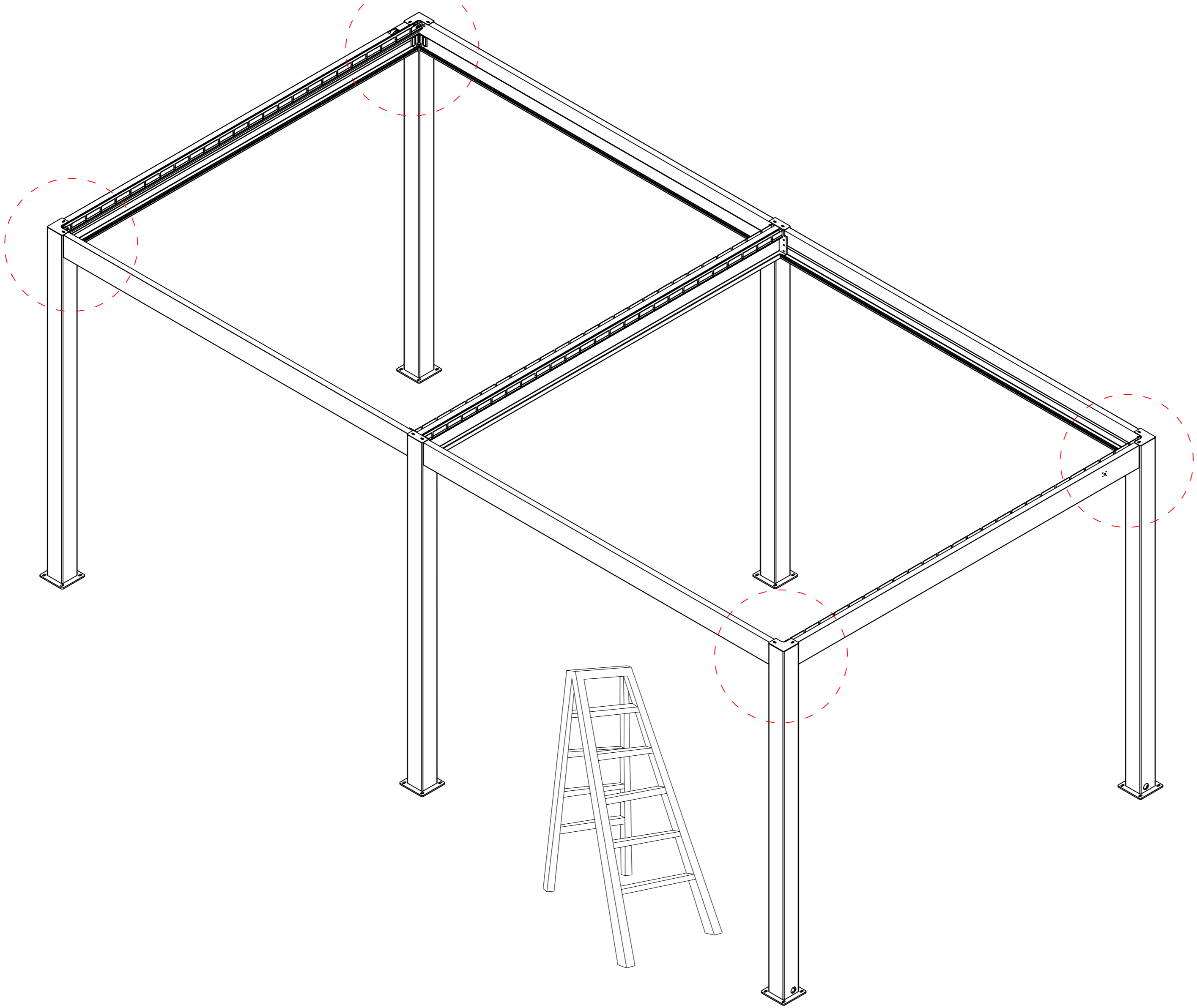
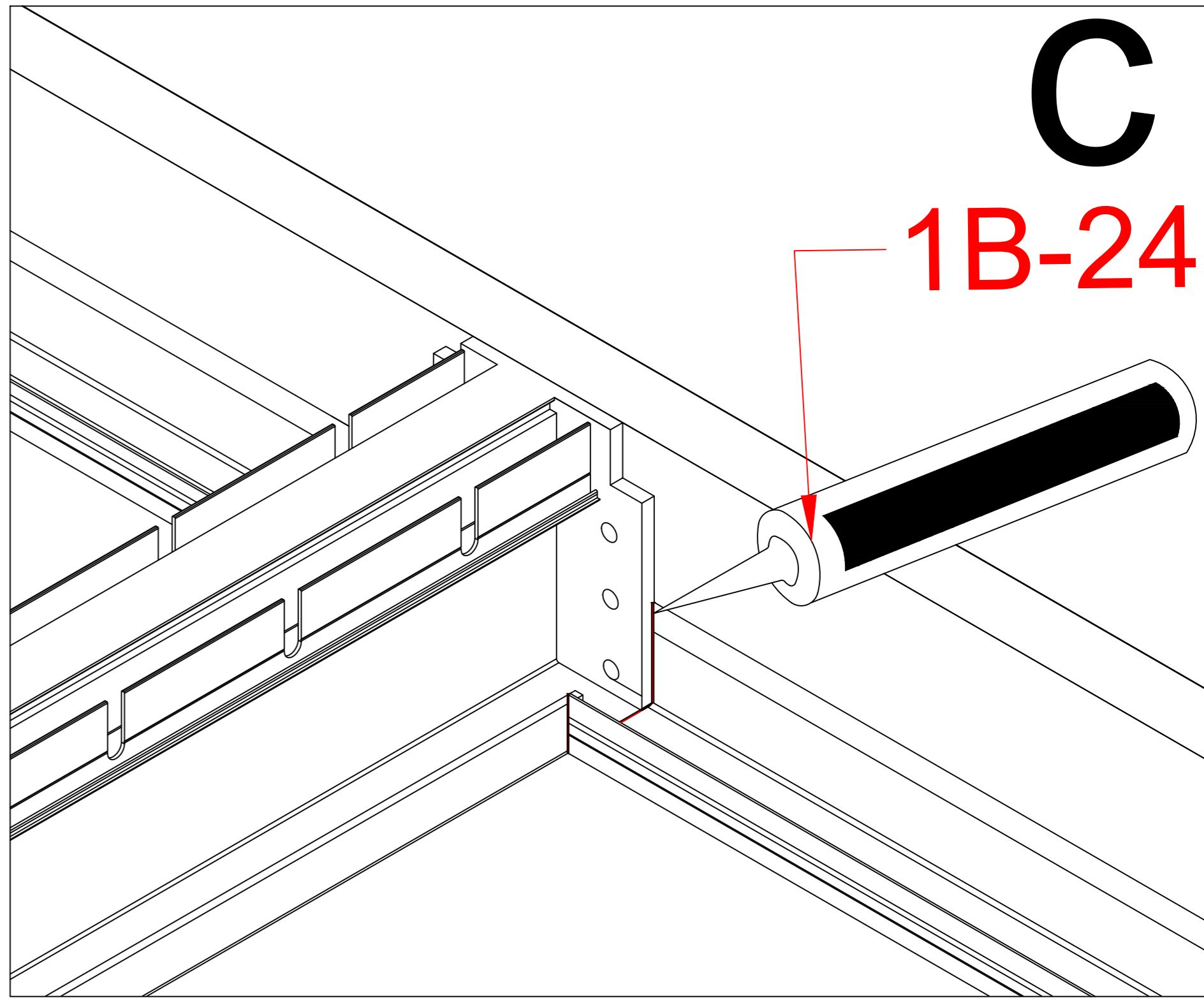
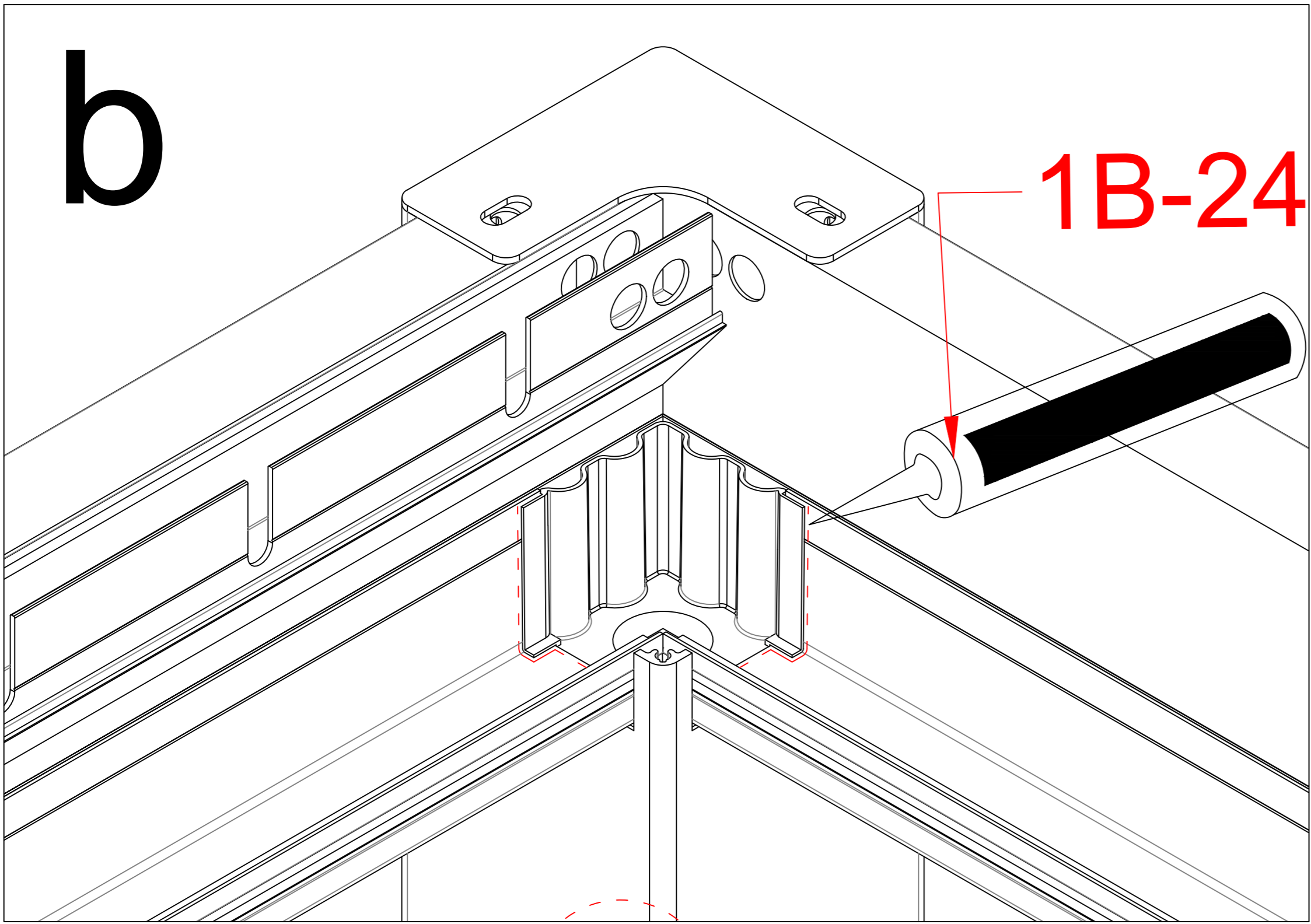
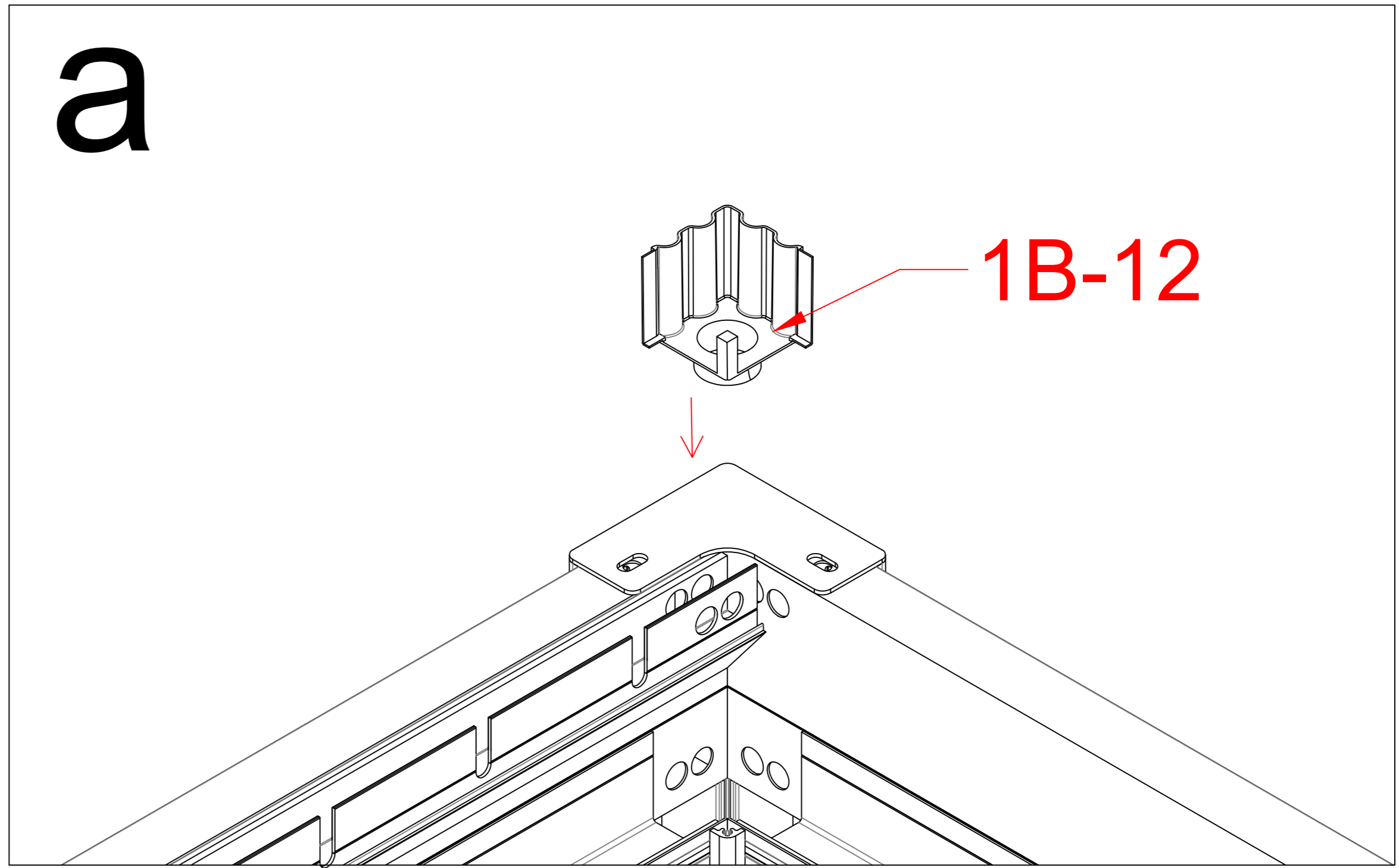
Warning:
Before installation, tear off the protective film of the tape on the back side of Gutter.

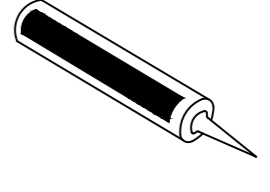
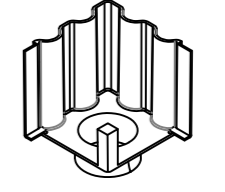


4*6m-26	4screws/3m side 5screws/4m side
---------	------------------------------------

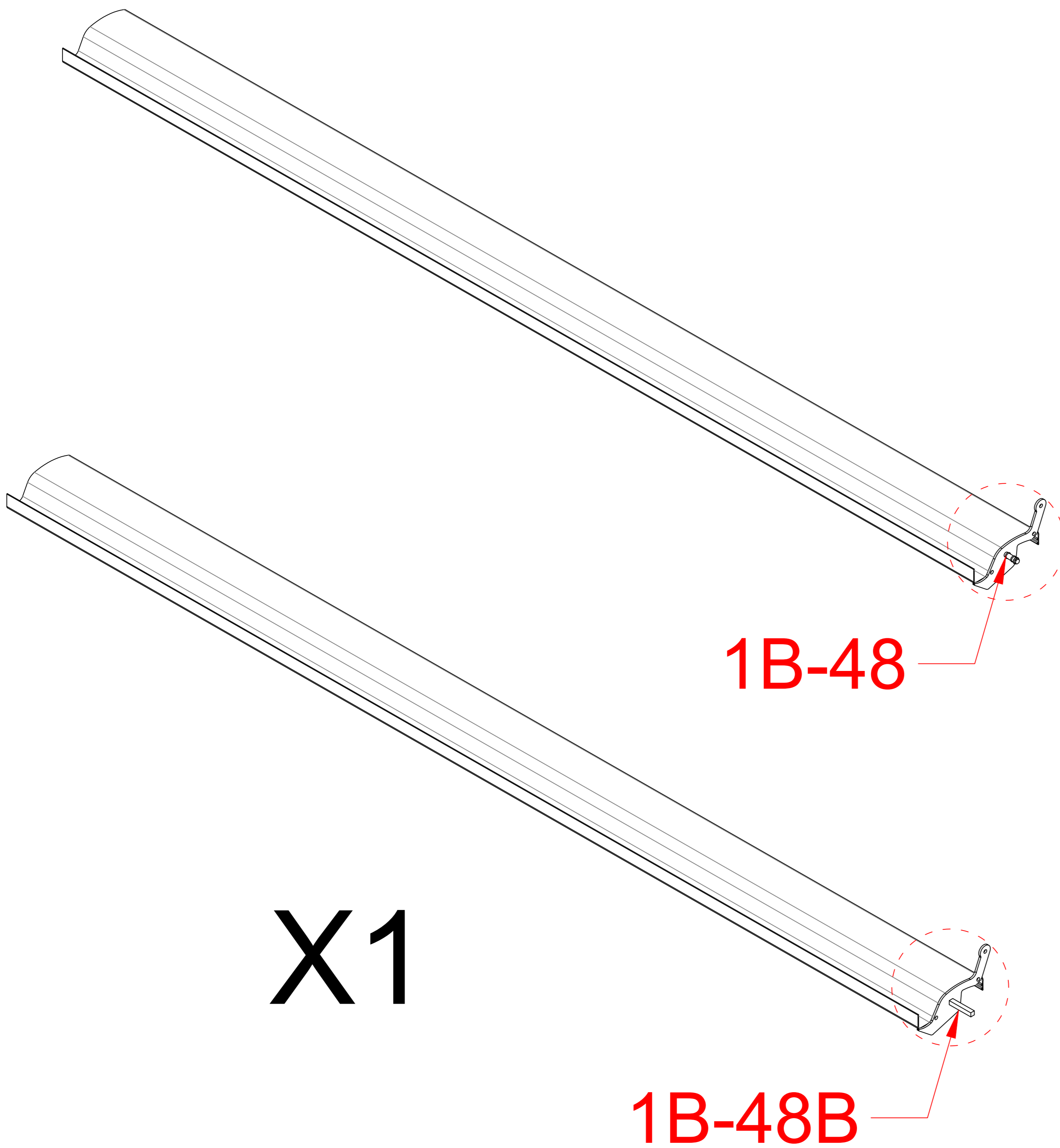
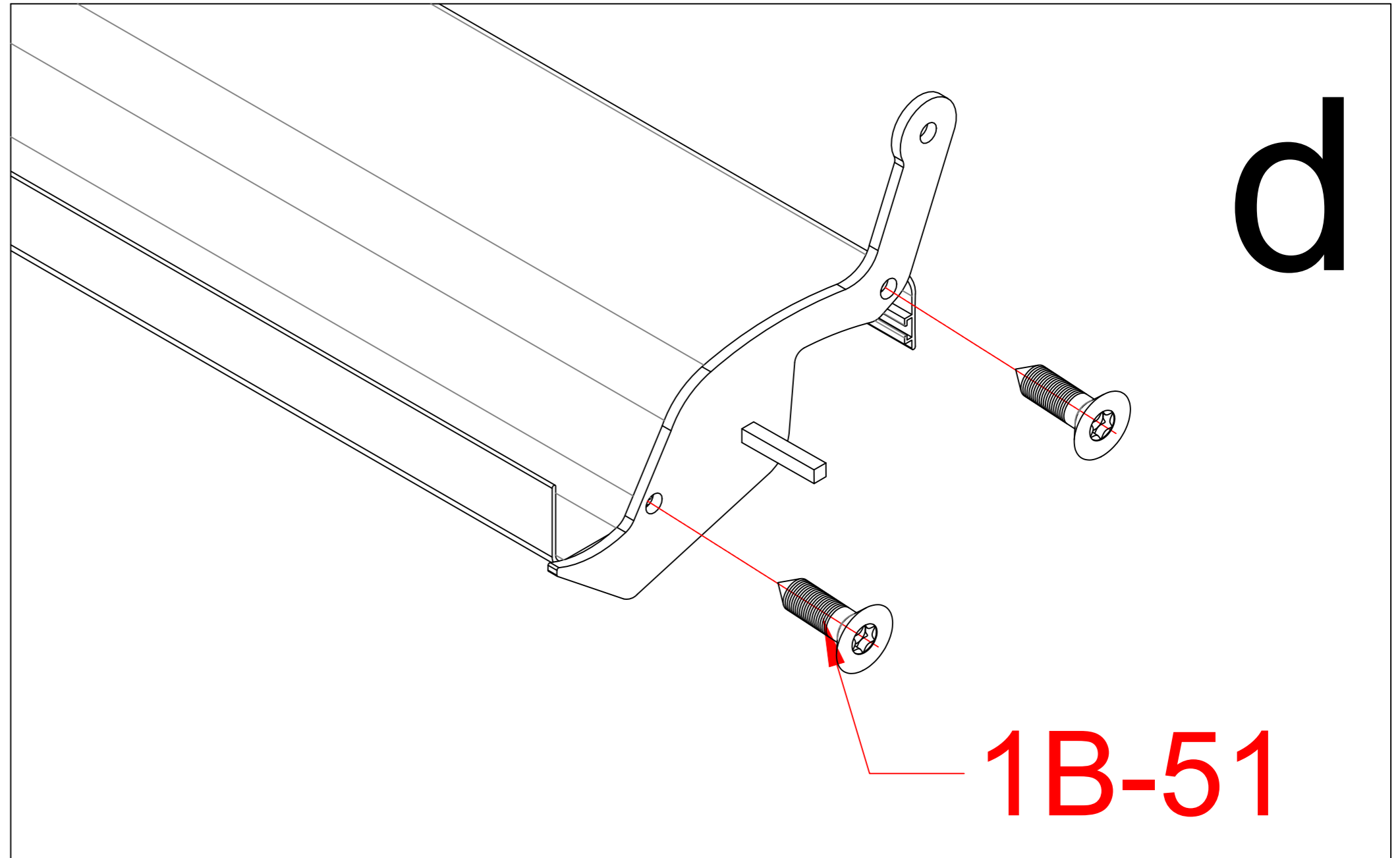
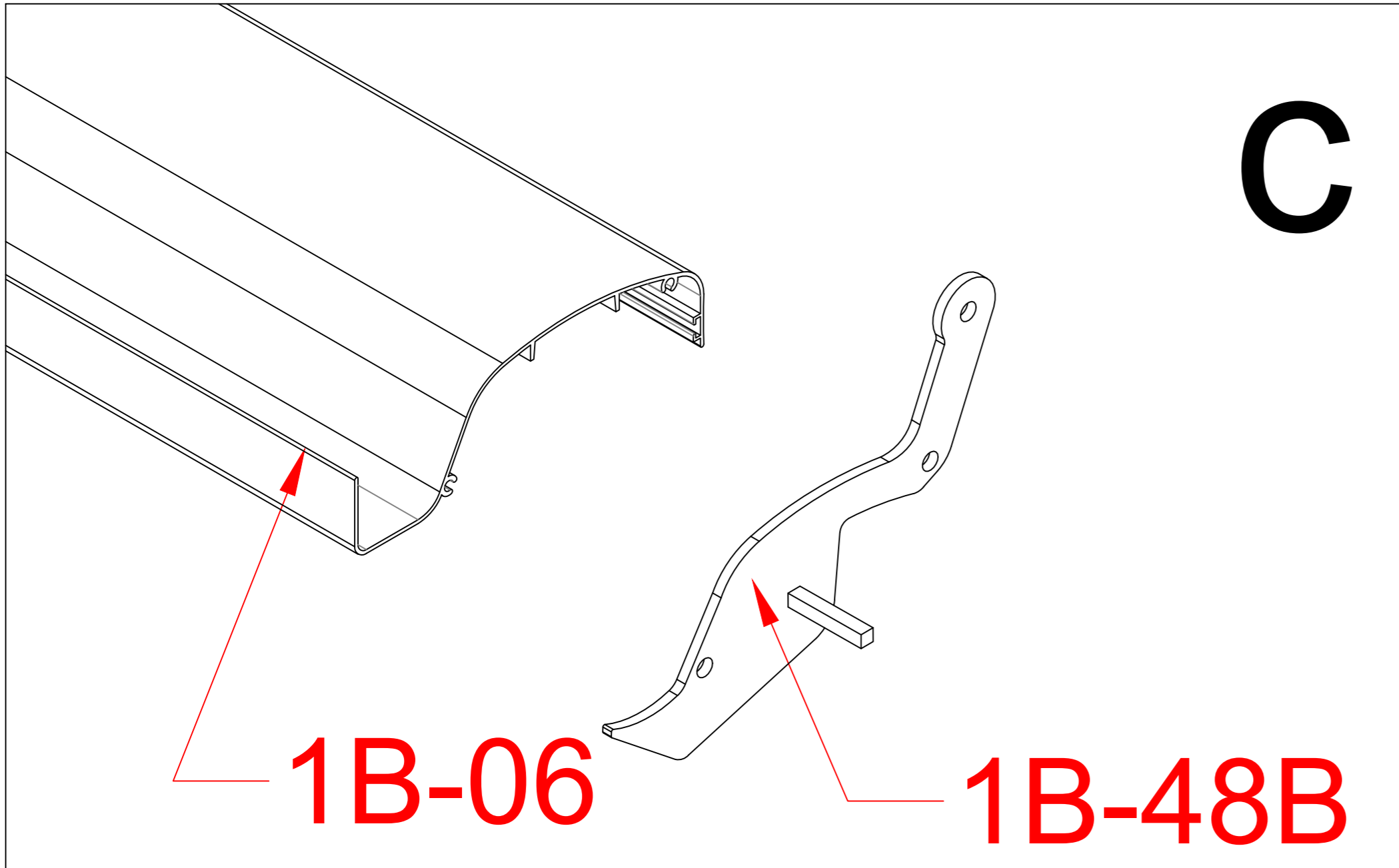
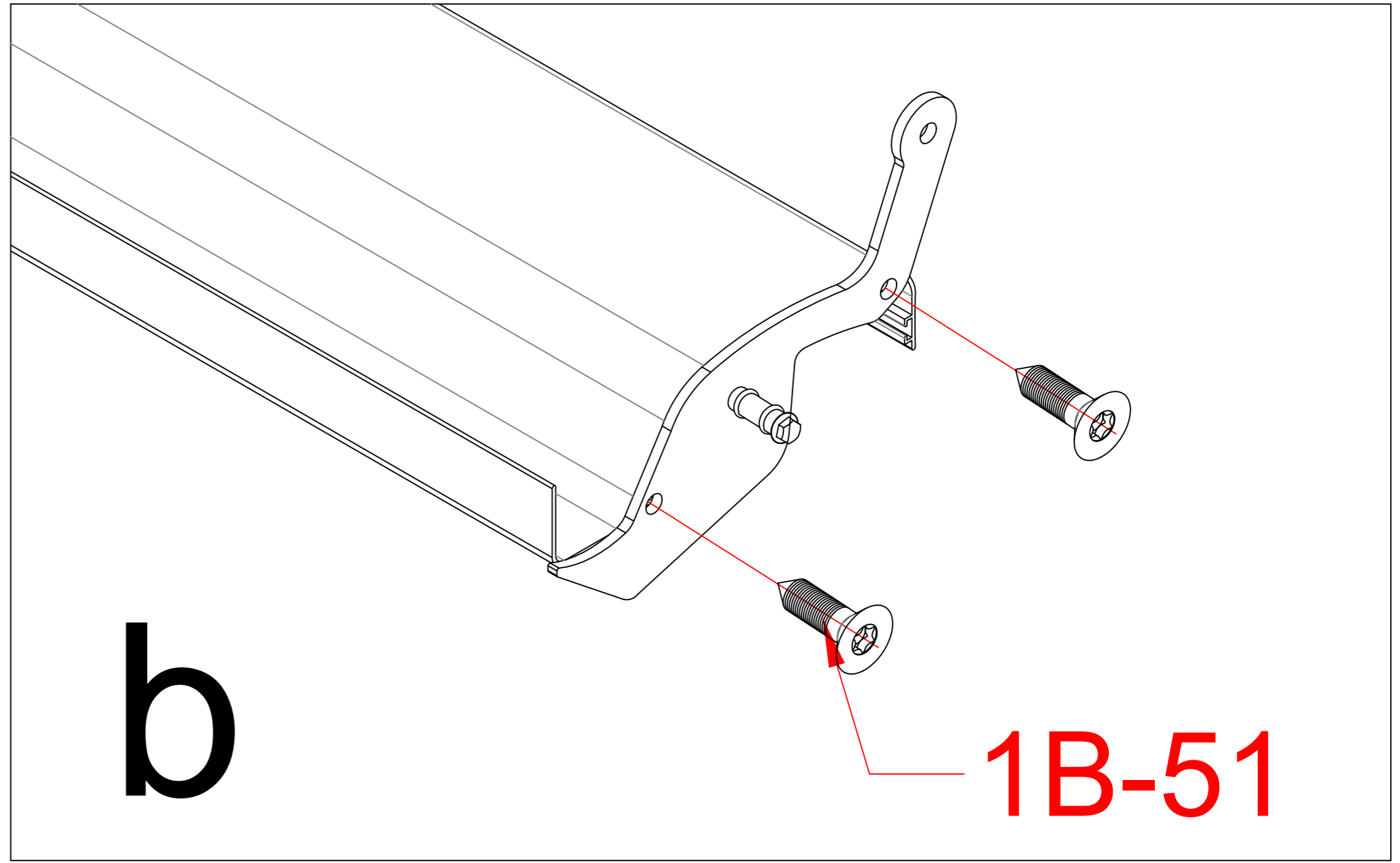
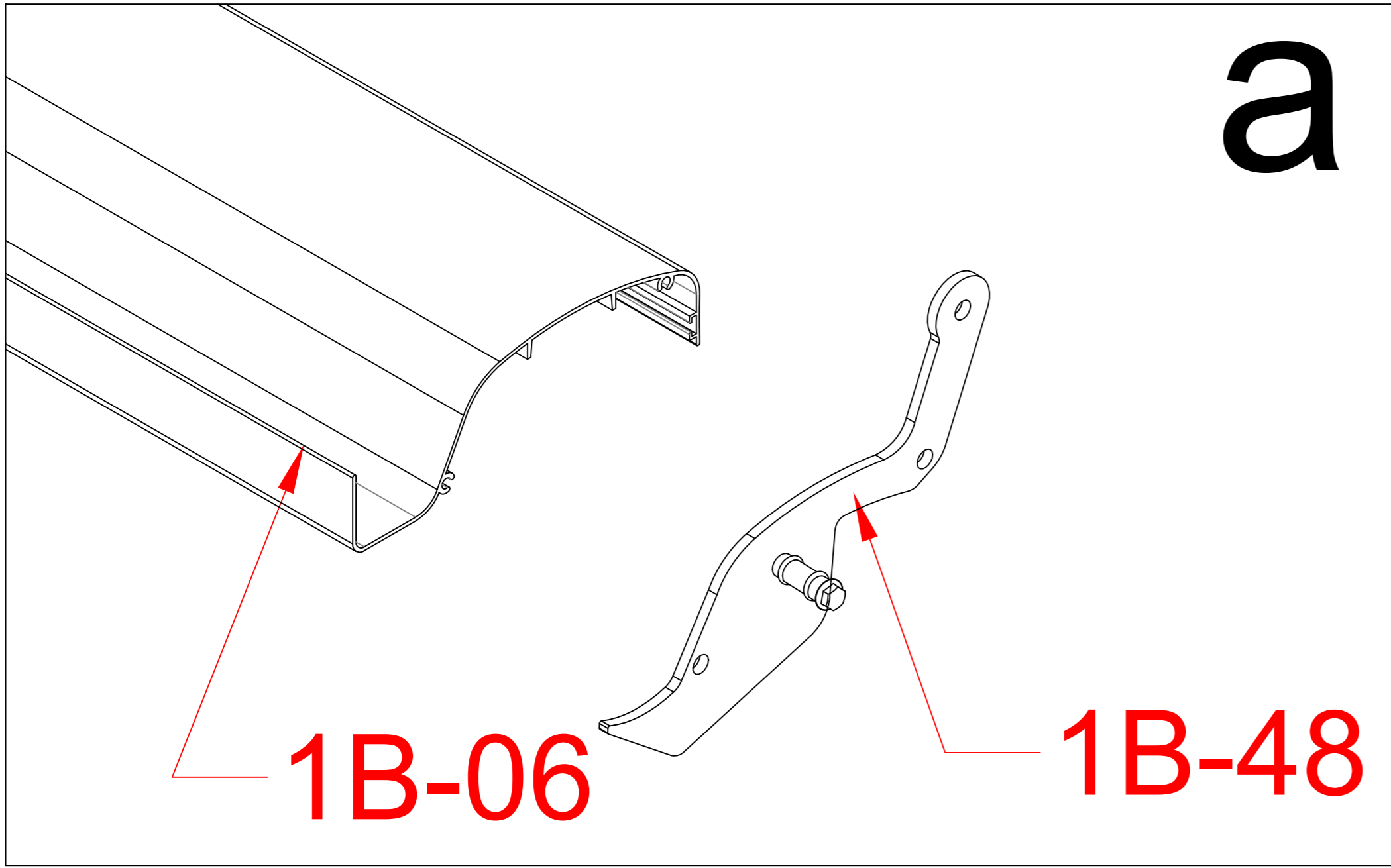
1B-05B	 2662.5mm	4
1B-23		16



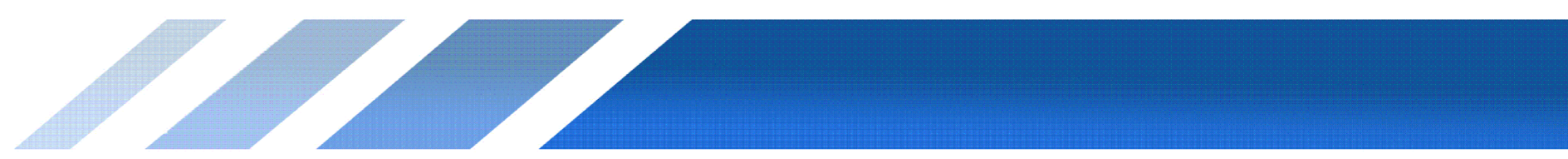


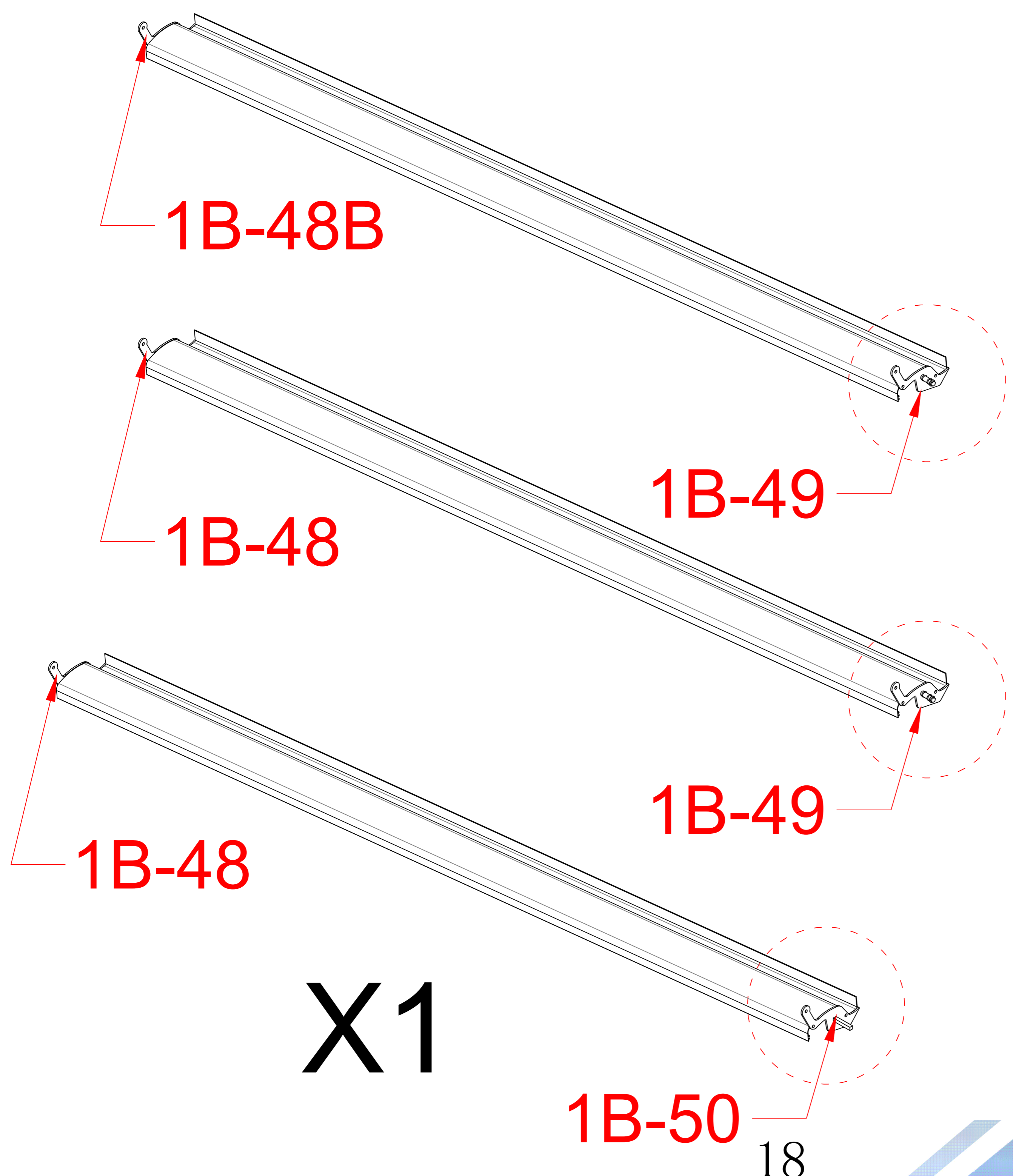
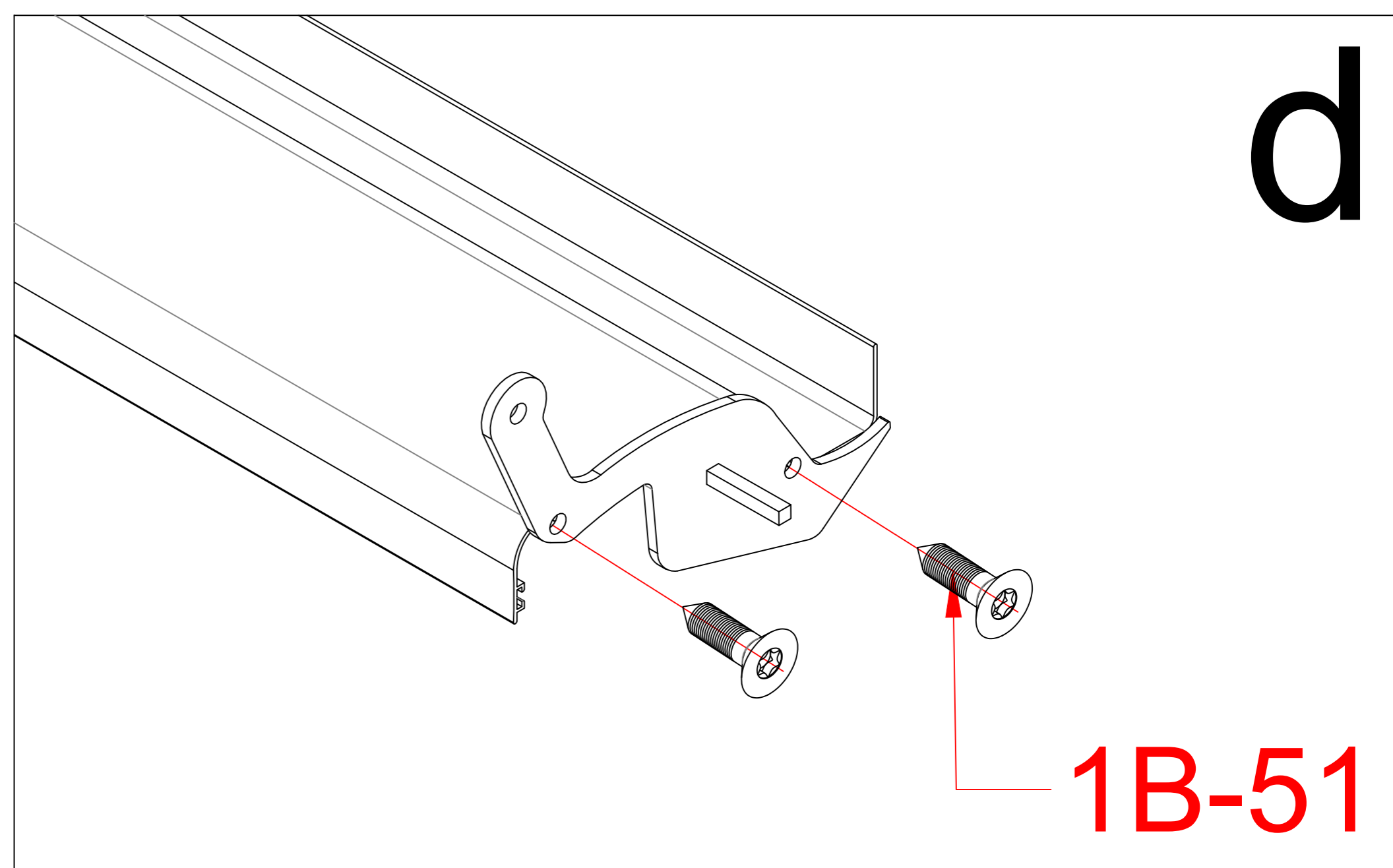
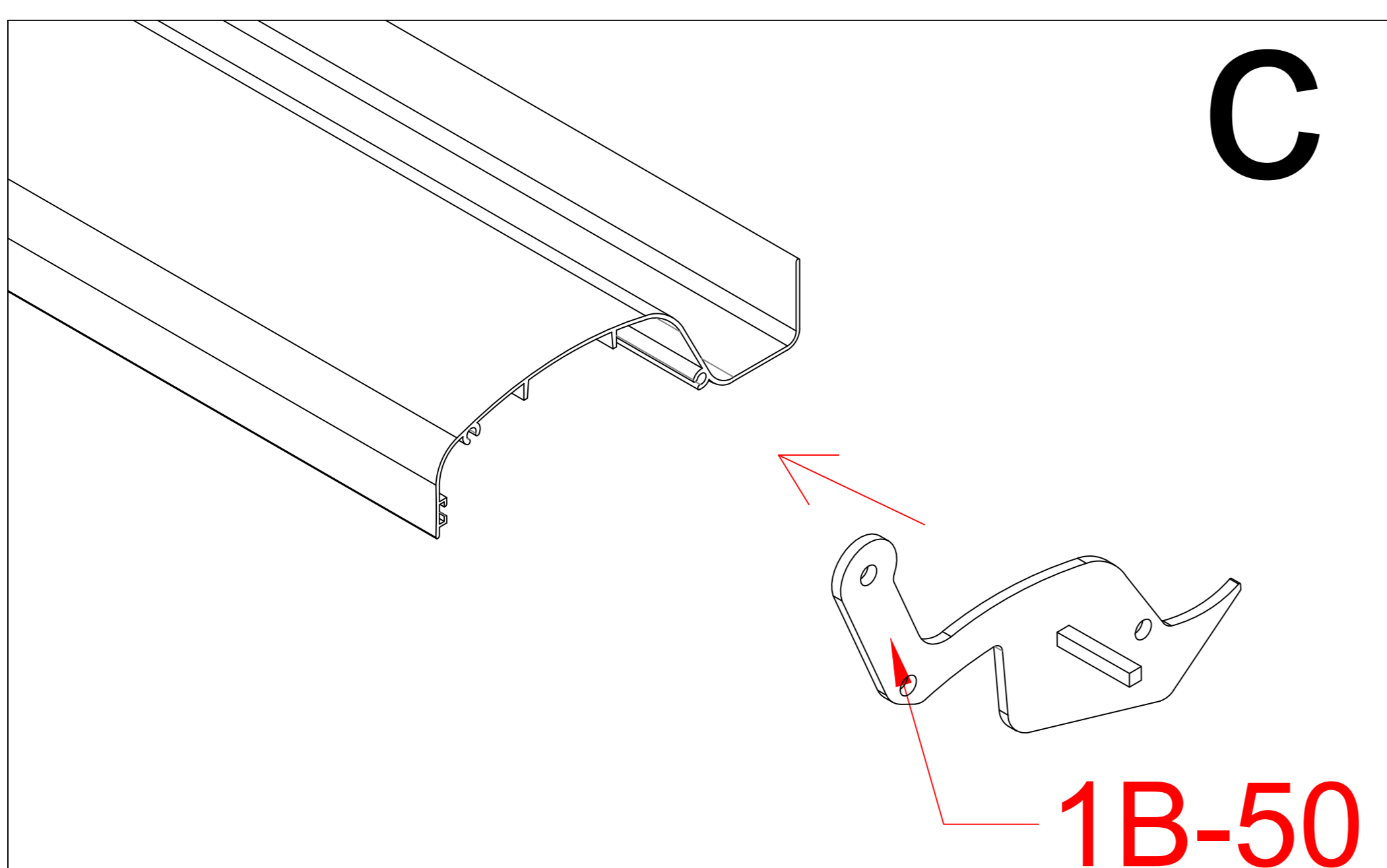
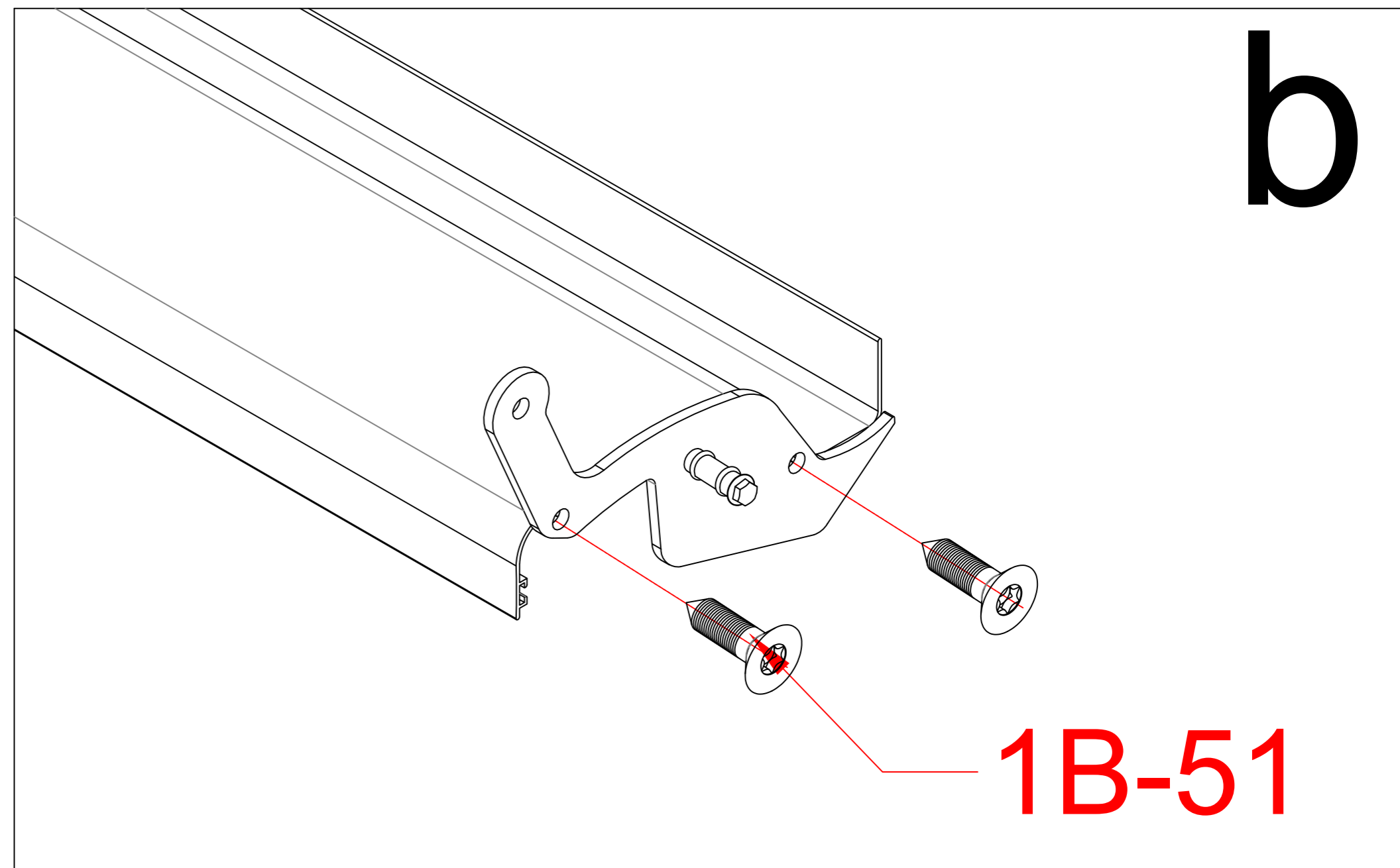
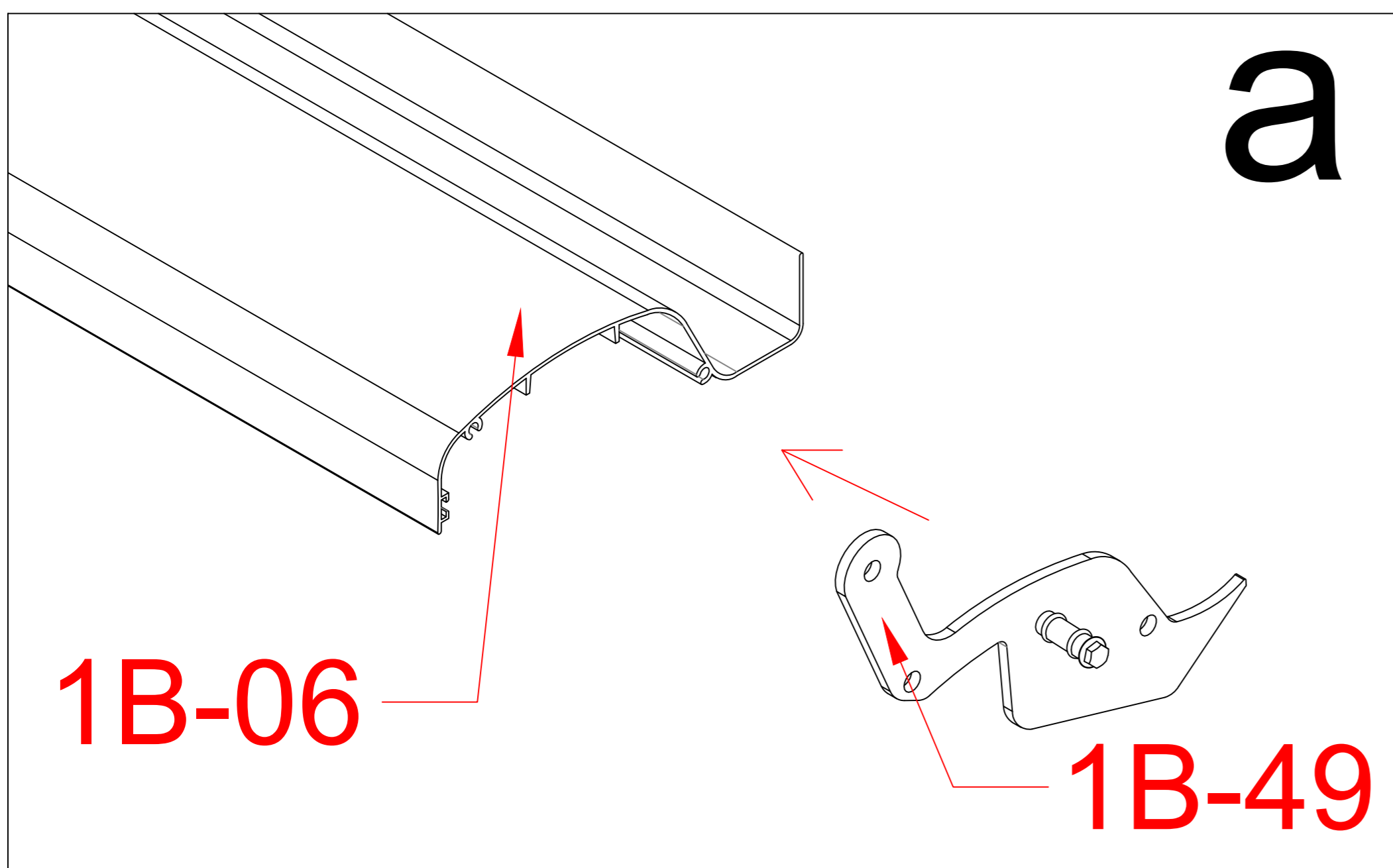
1B-24		1
1B-12		4





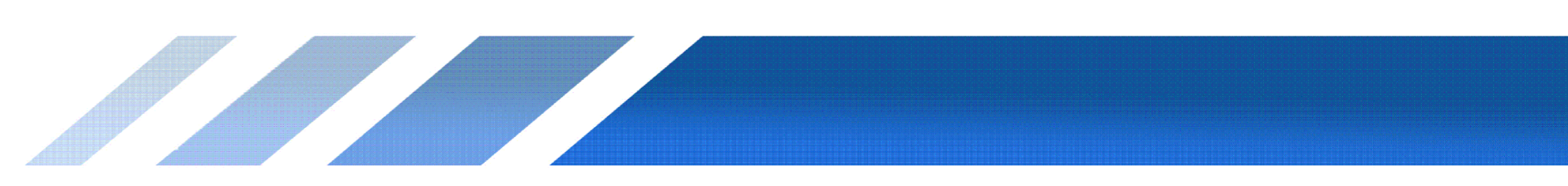
1B-64		1
1B-51	 M3.5*25	132
1B-06		66
1B-48B		1
1B-48		65

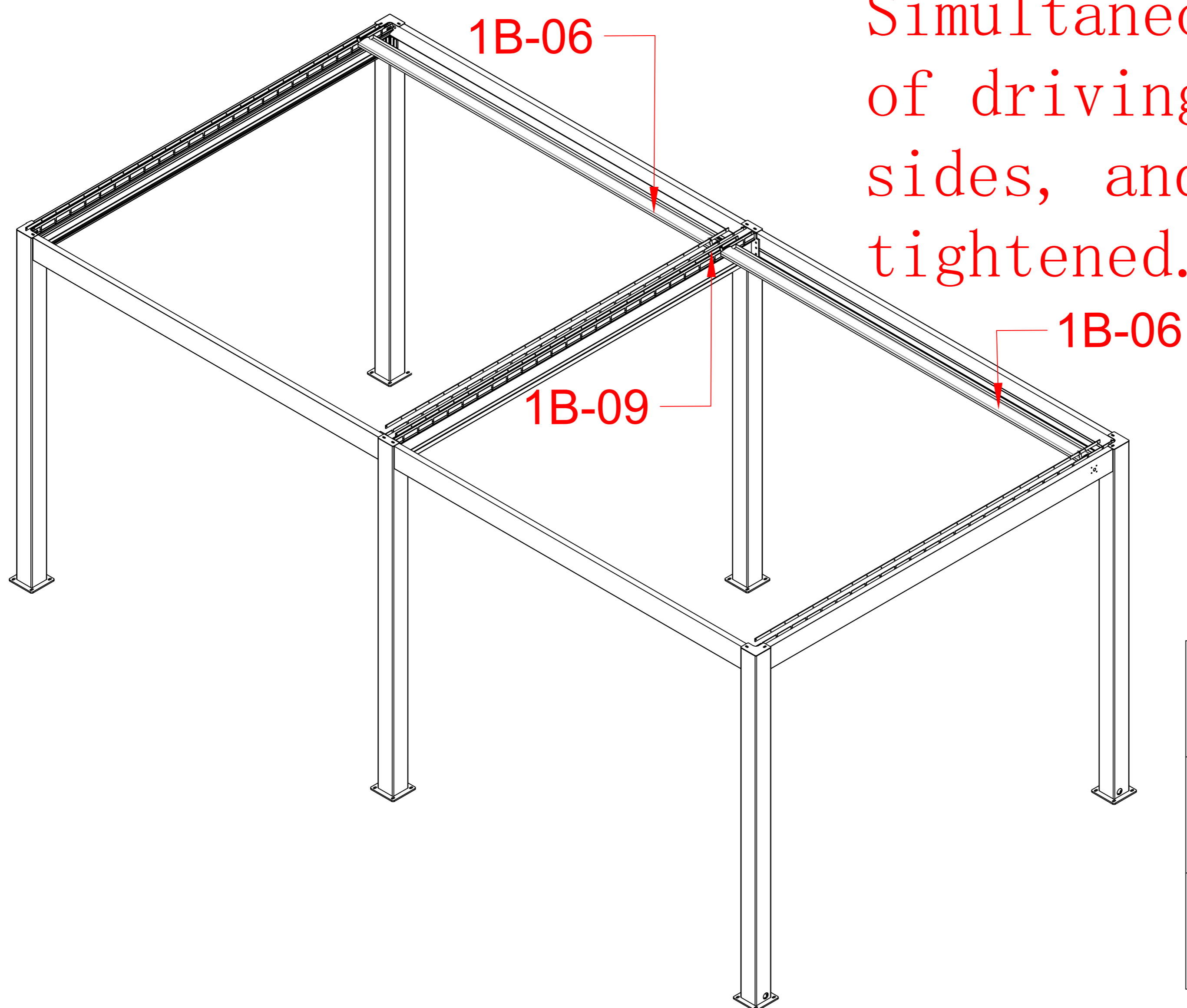
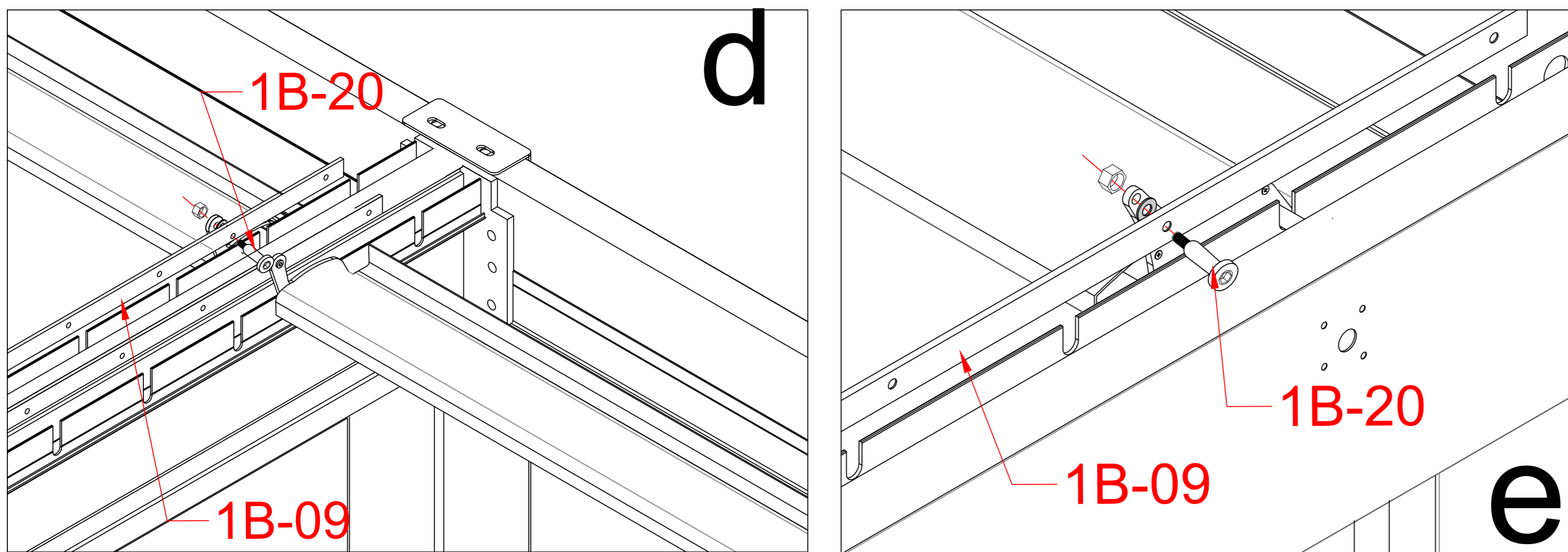
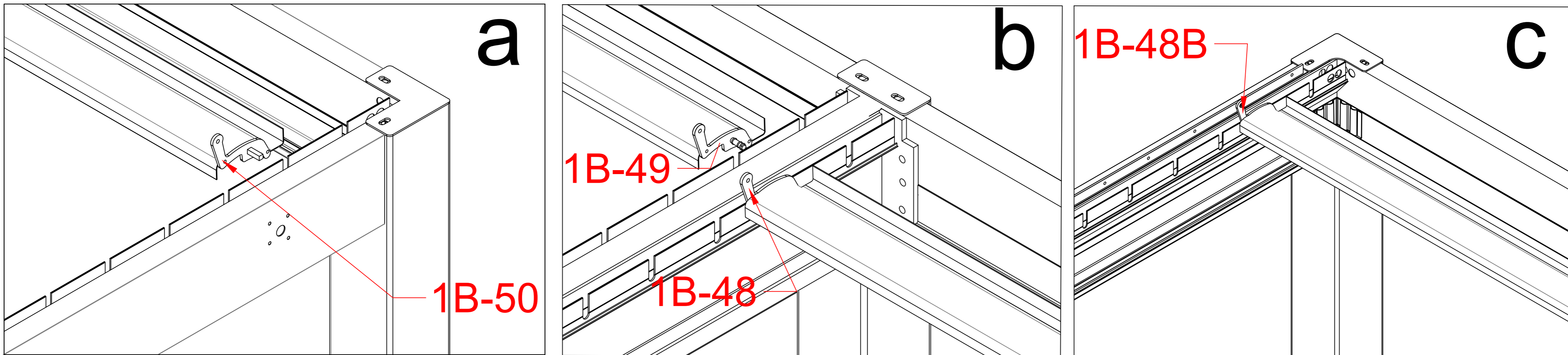




X1

1B-64		1
1B-49		65
1B-50		1
1B-51		132

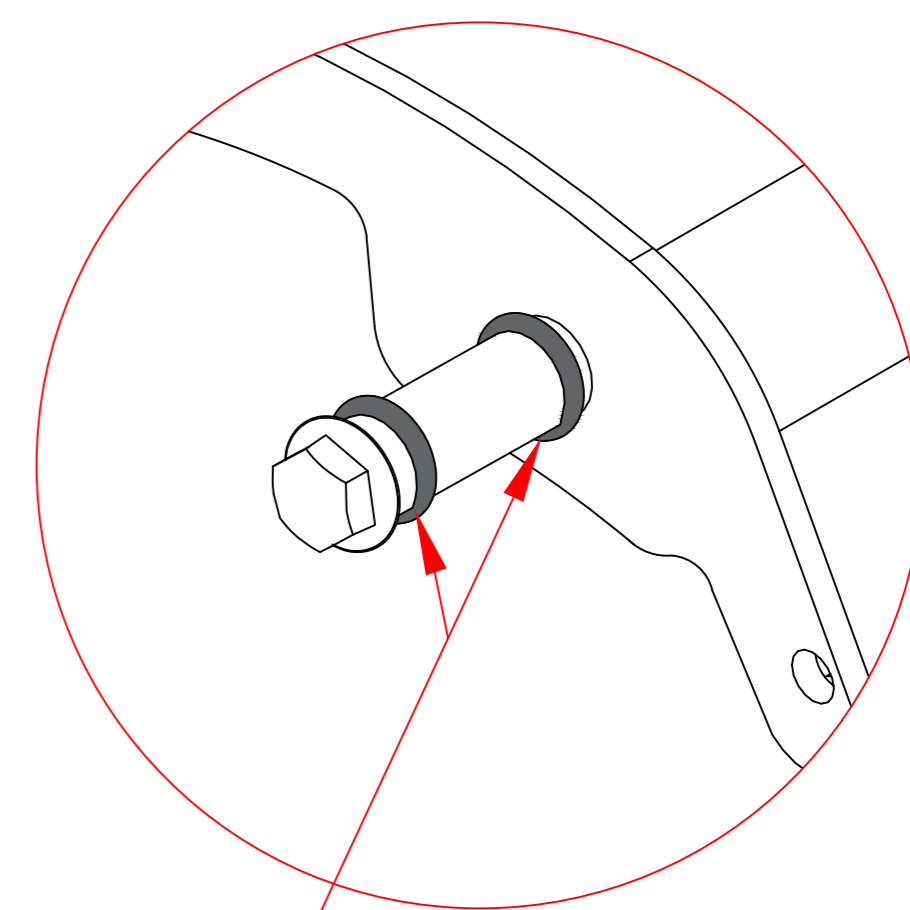
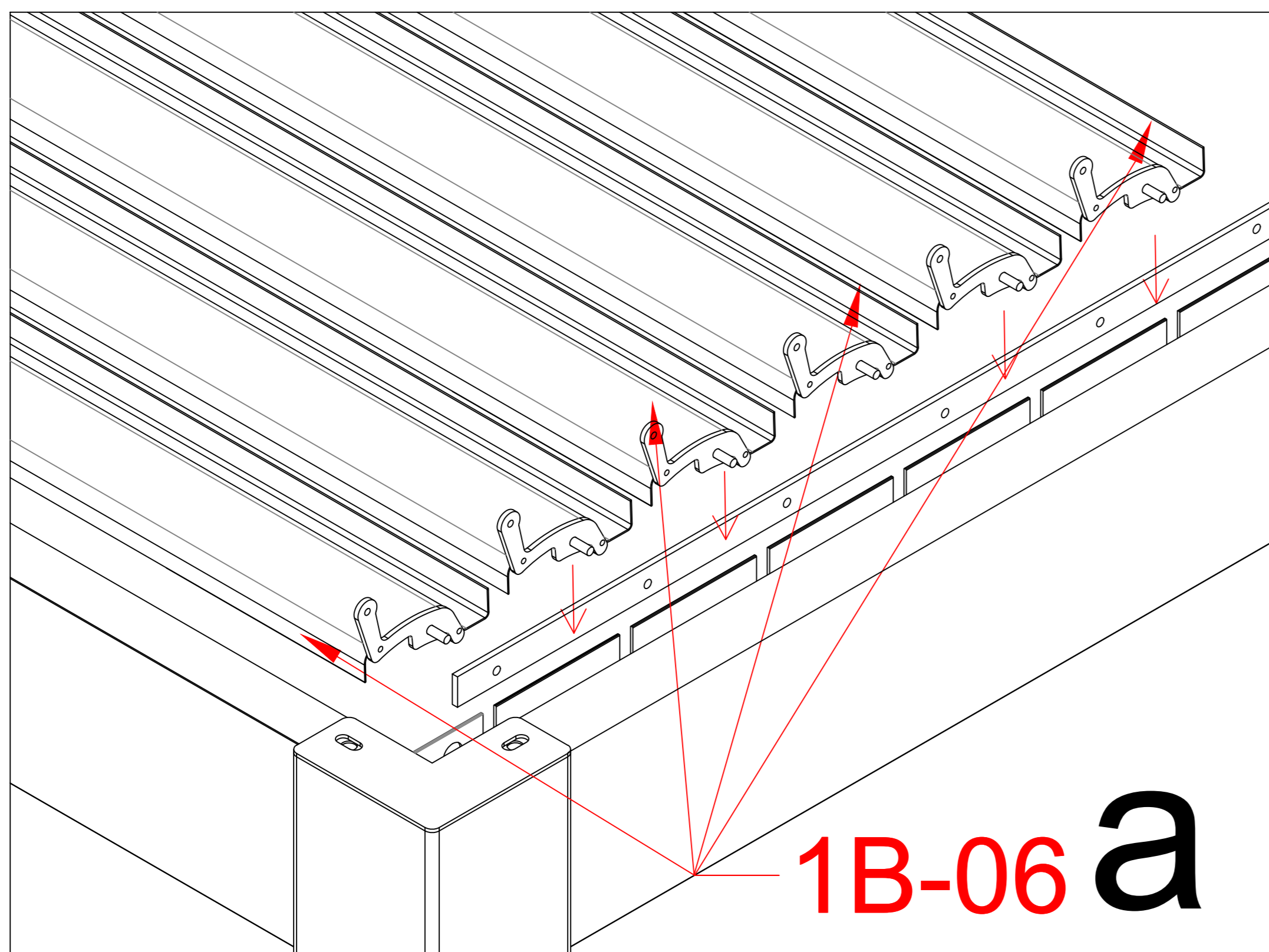




Warning:
 Simultaneous installation
 of driving louvres on both
 sides, and bolts must be
 tightened.

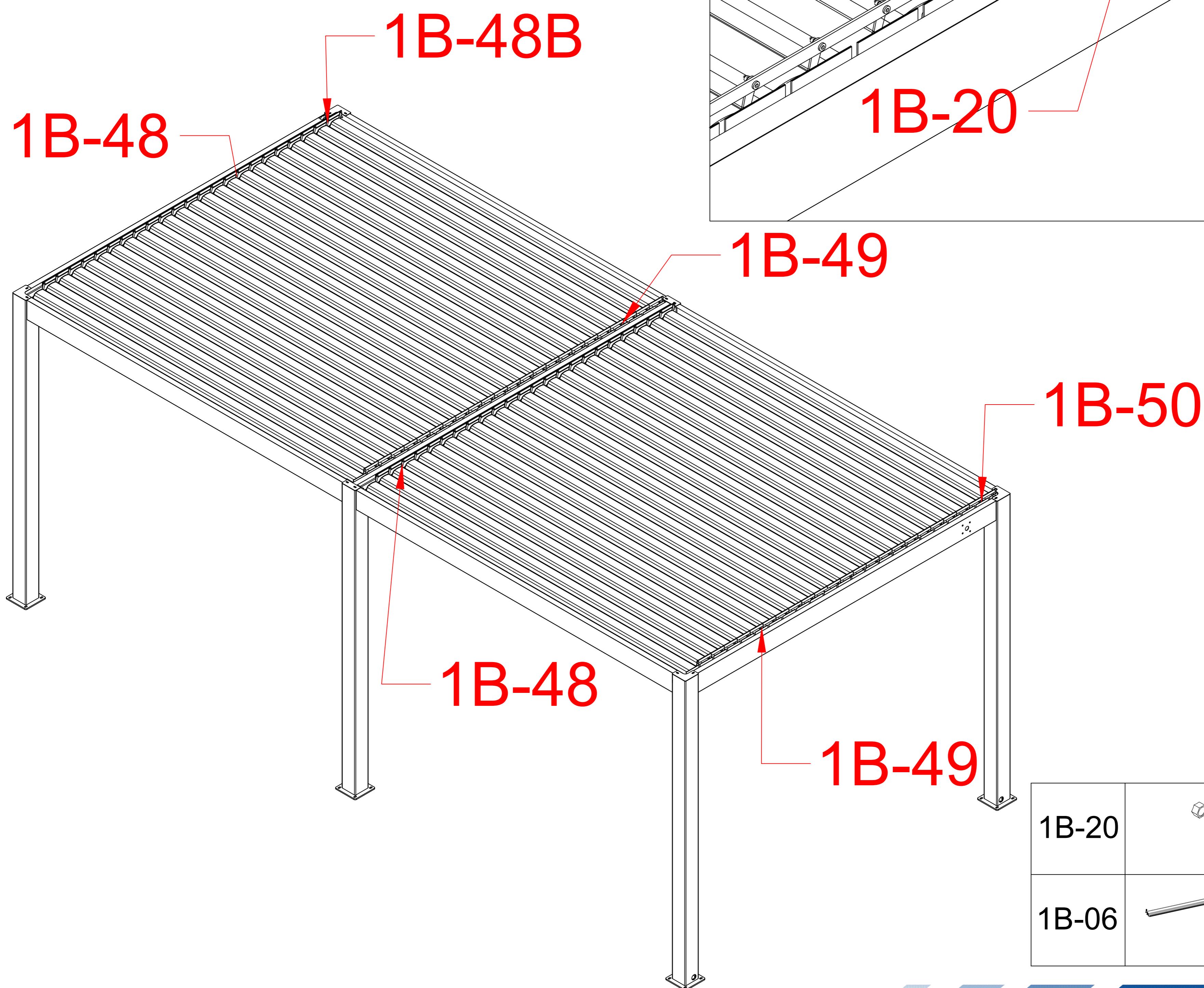
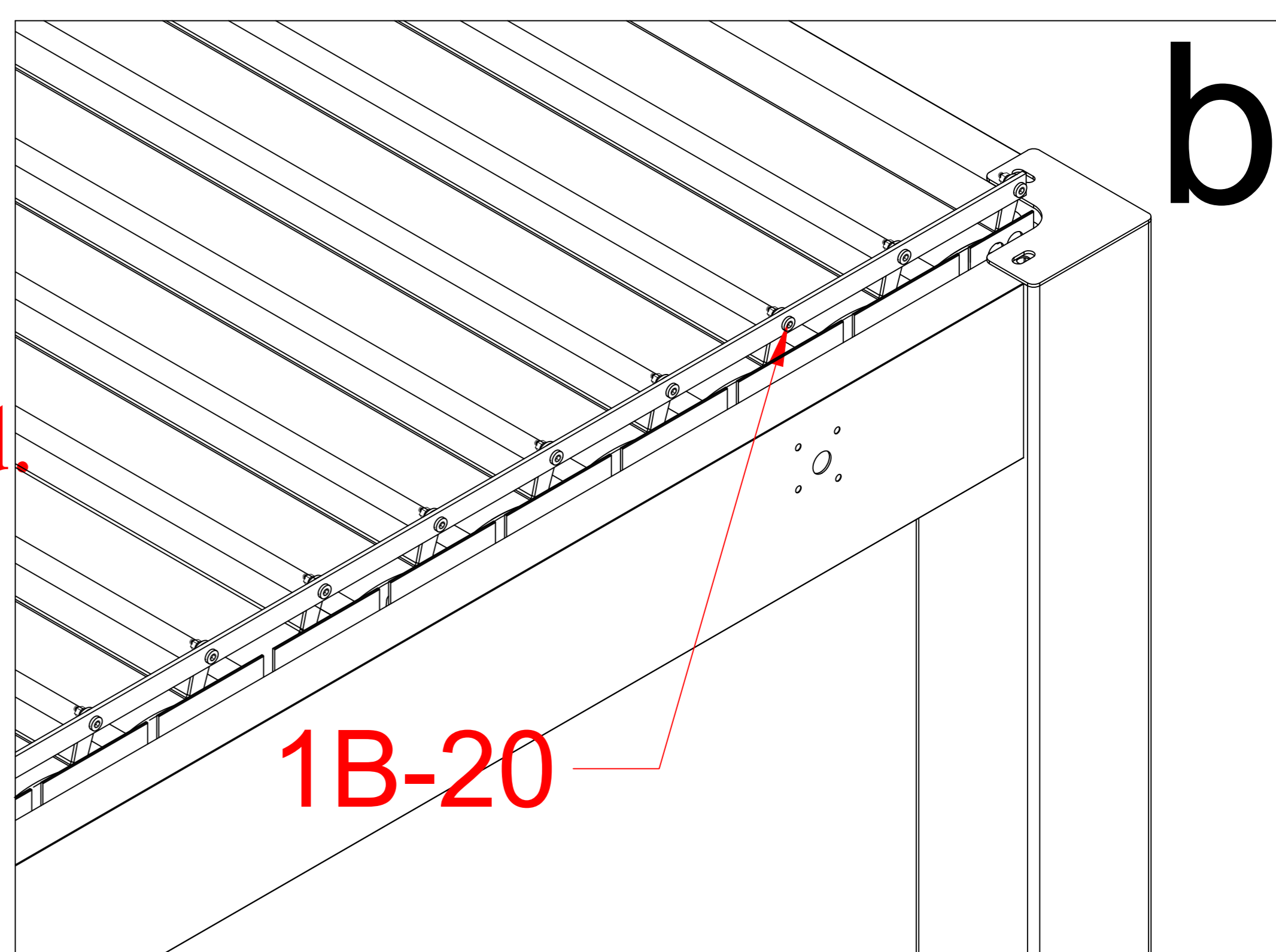
1B-09		4
1B-20		4
1B-06		2



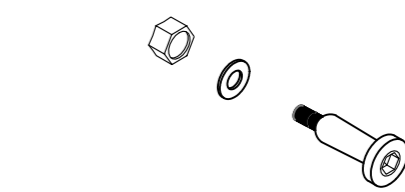
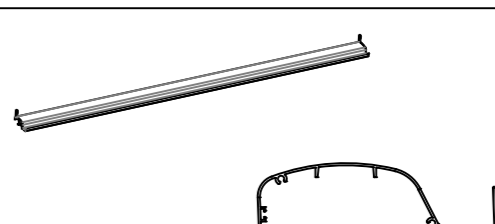


When installing louvers, first separate the two rubber gaskets and slide them to both ends of the circular shaft. Then, please ensure they are closed tightly before proceeding with the next steps of the installation.

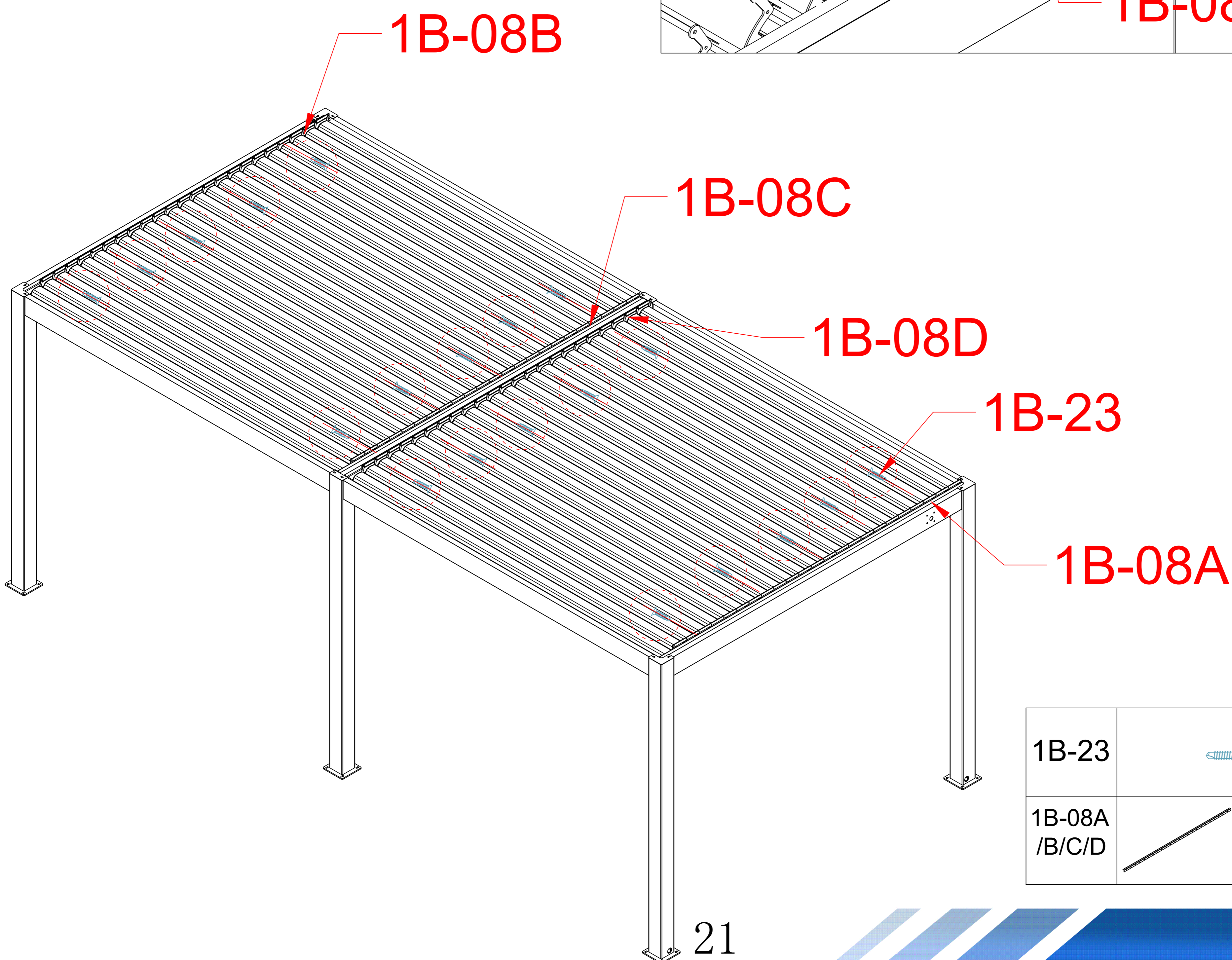
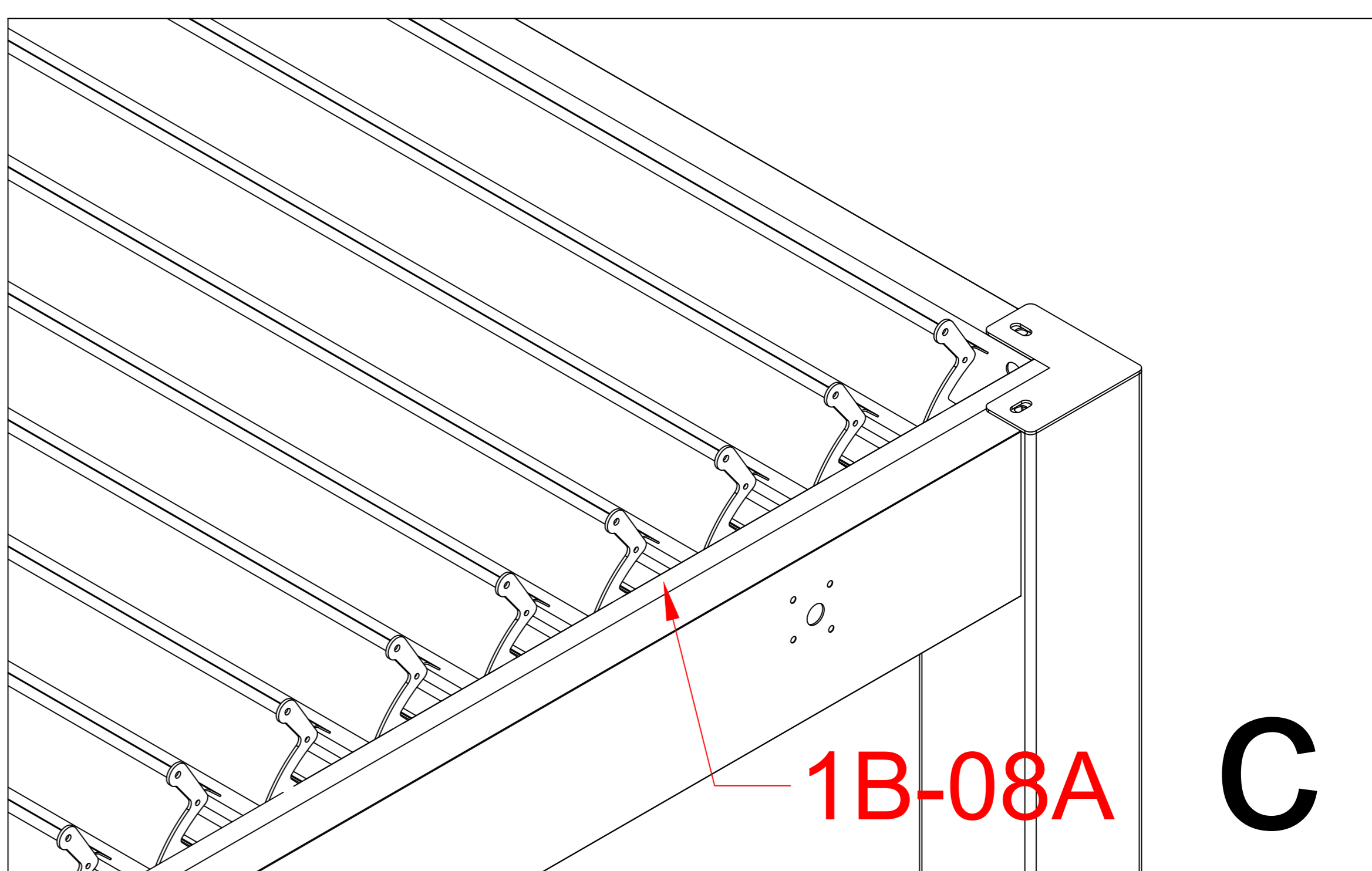
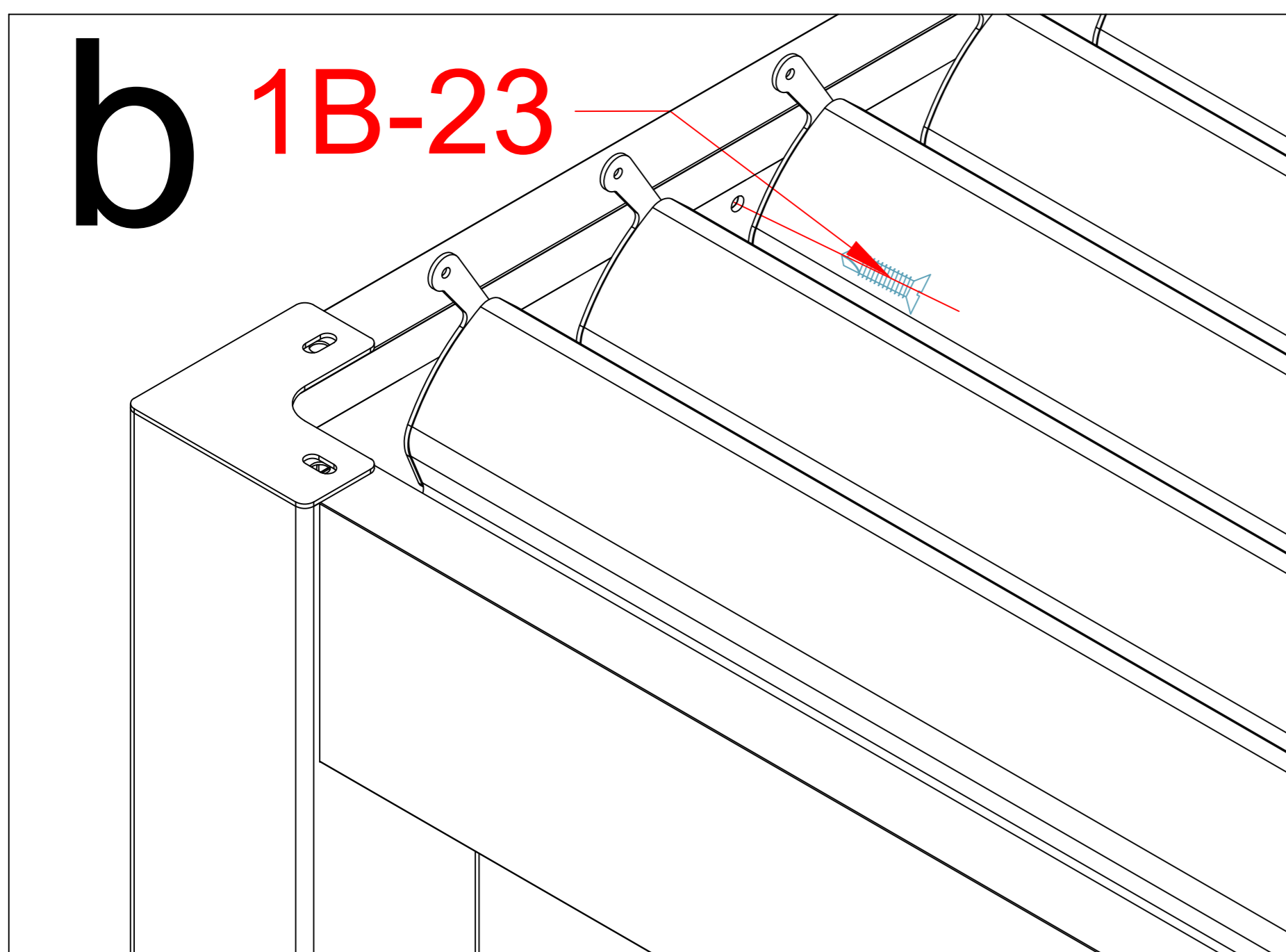
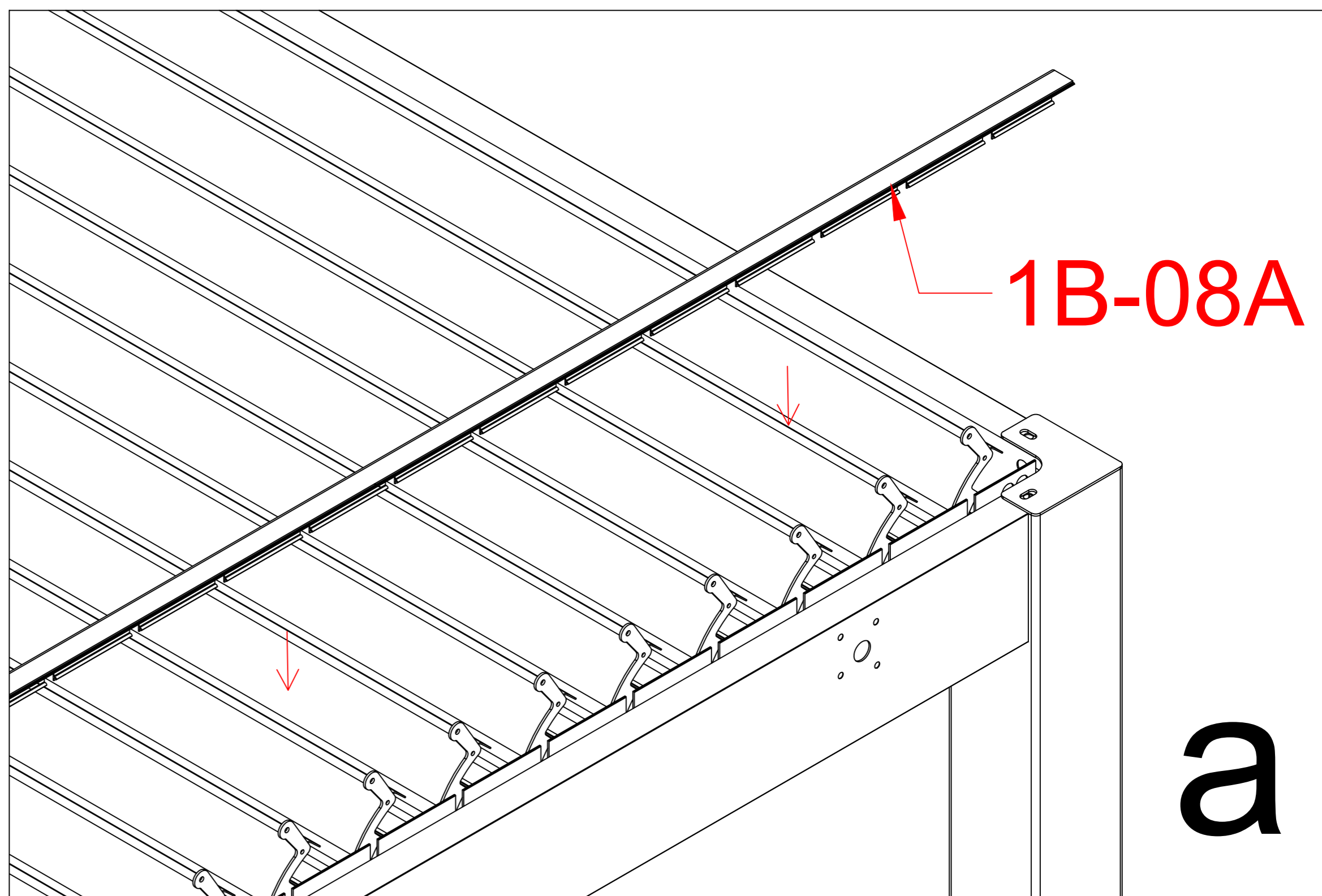
Warning:
Simultaneous installation of louvres on both sides, and bolts must be tightened.

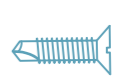
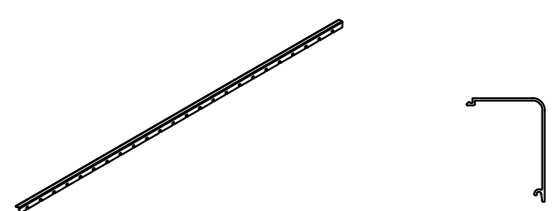


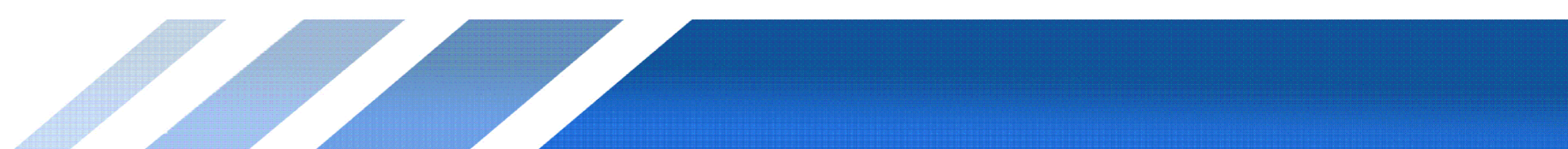
20

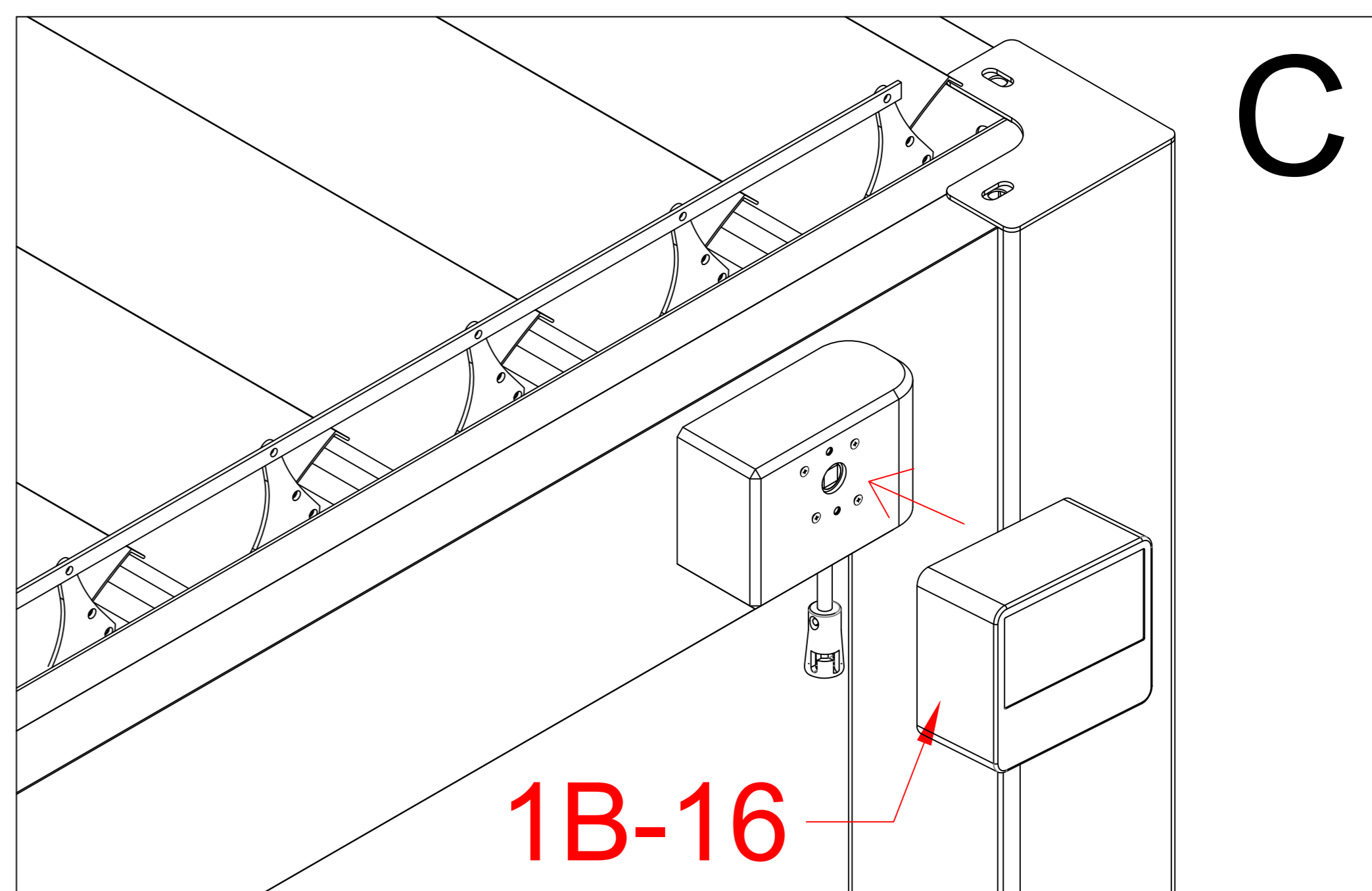
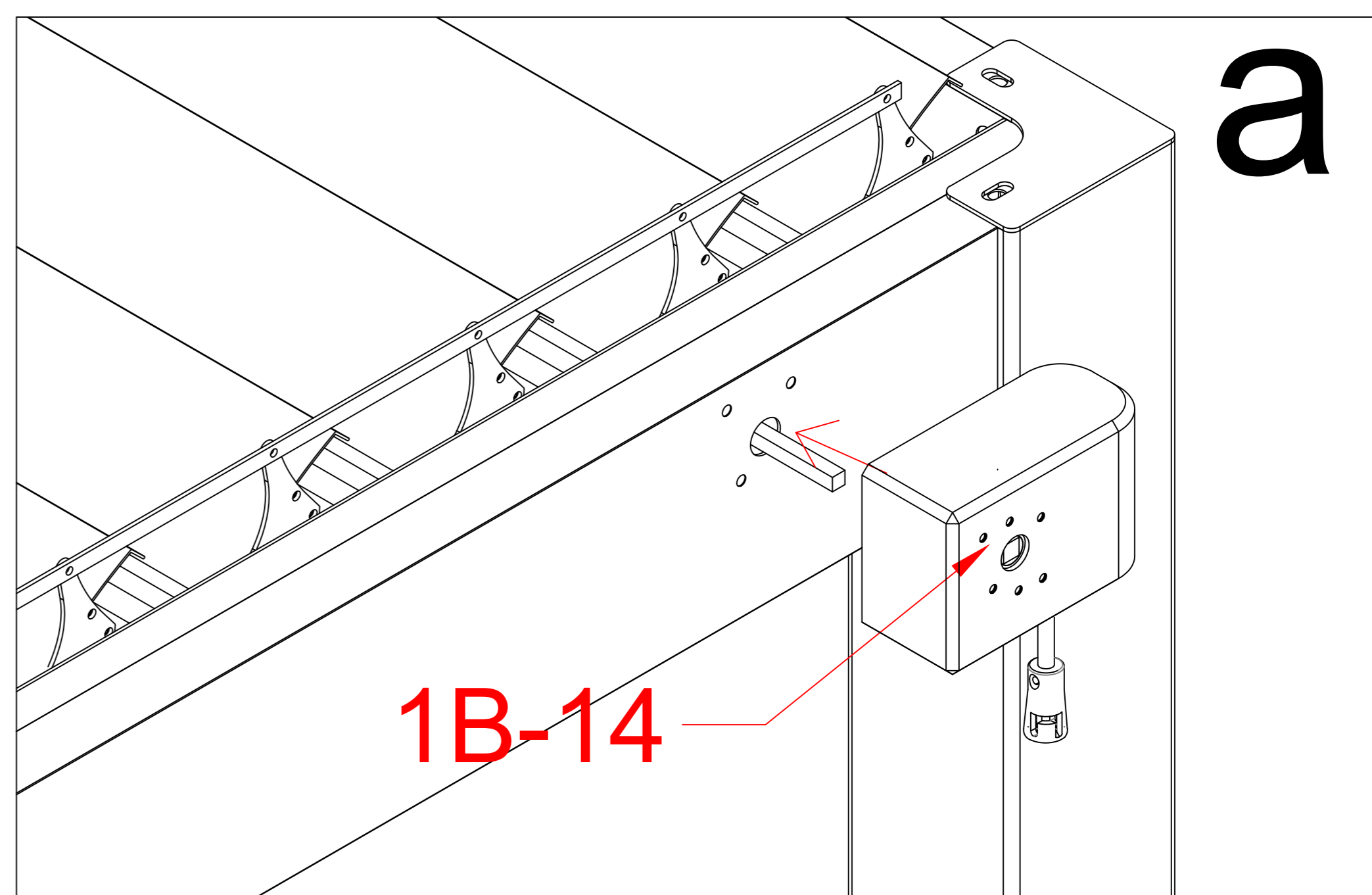
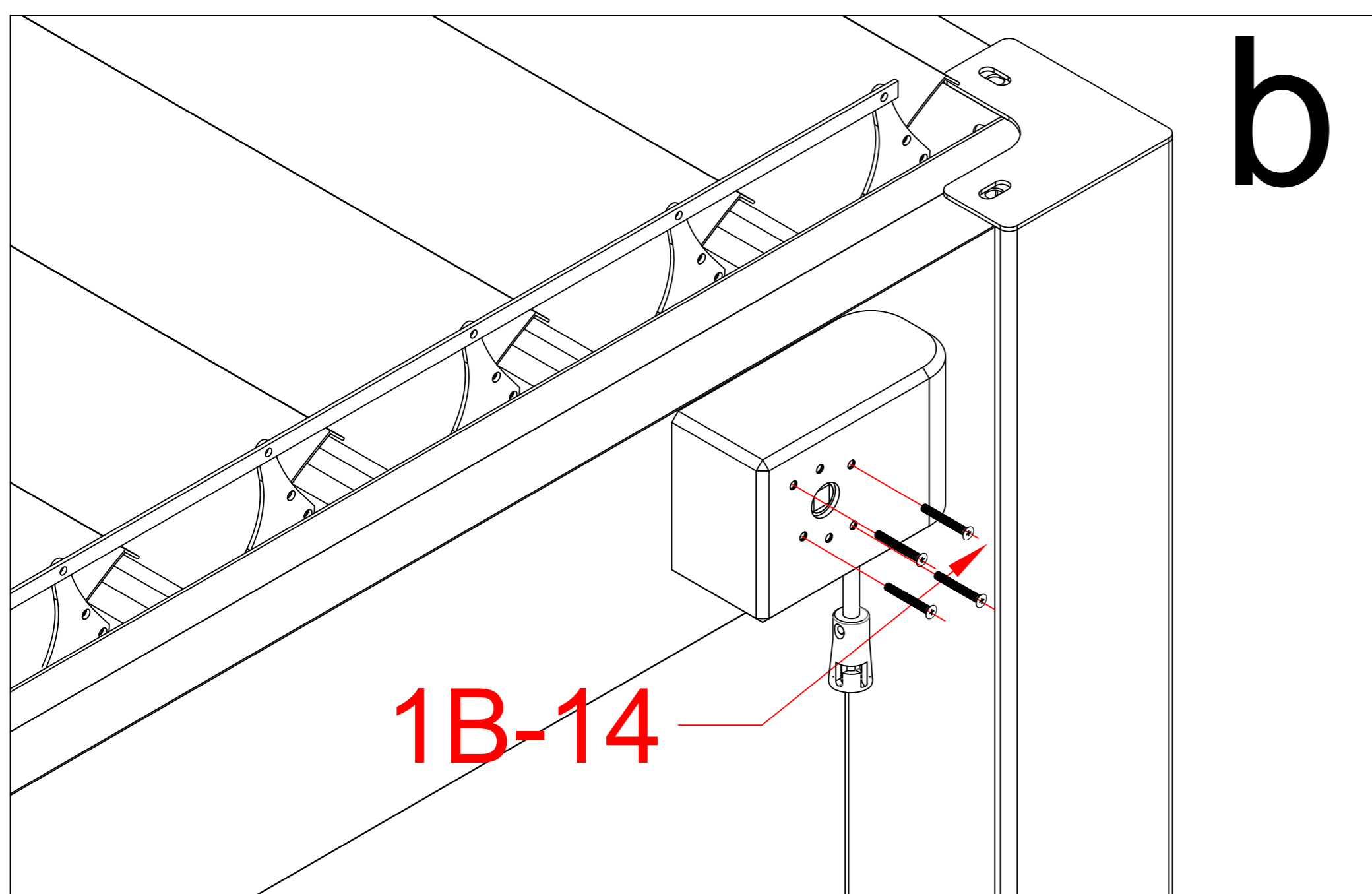
1B-20		128
1B-06		64

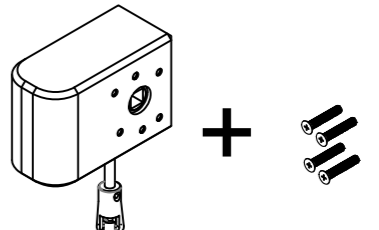
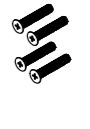
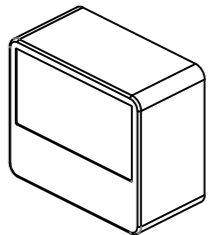


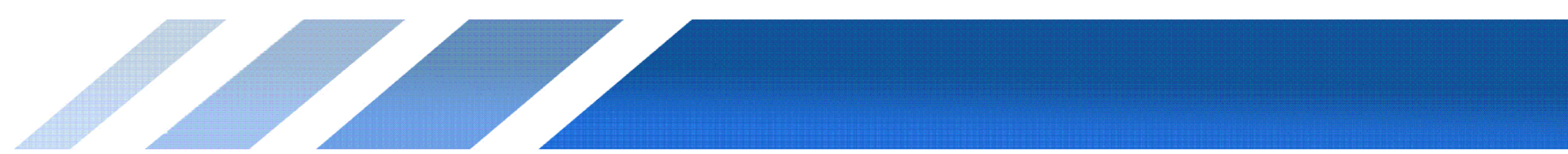


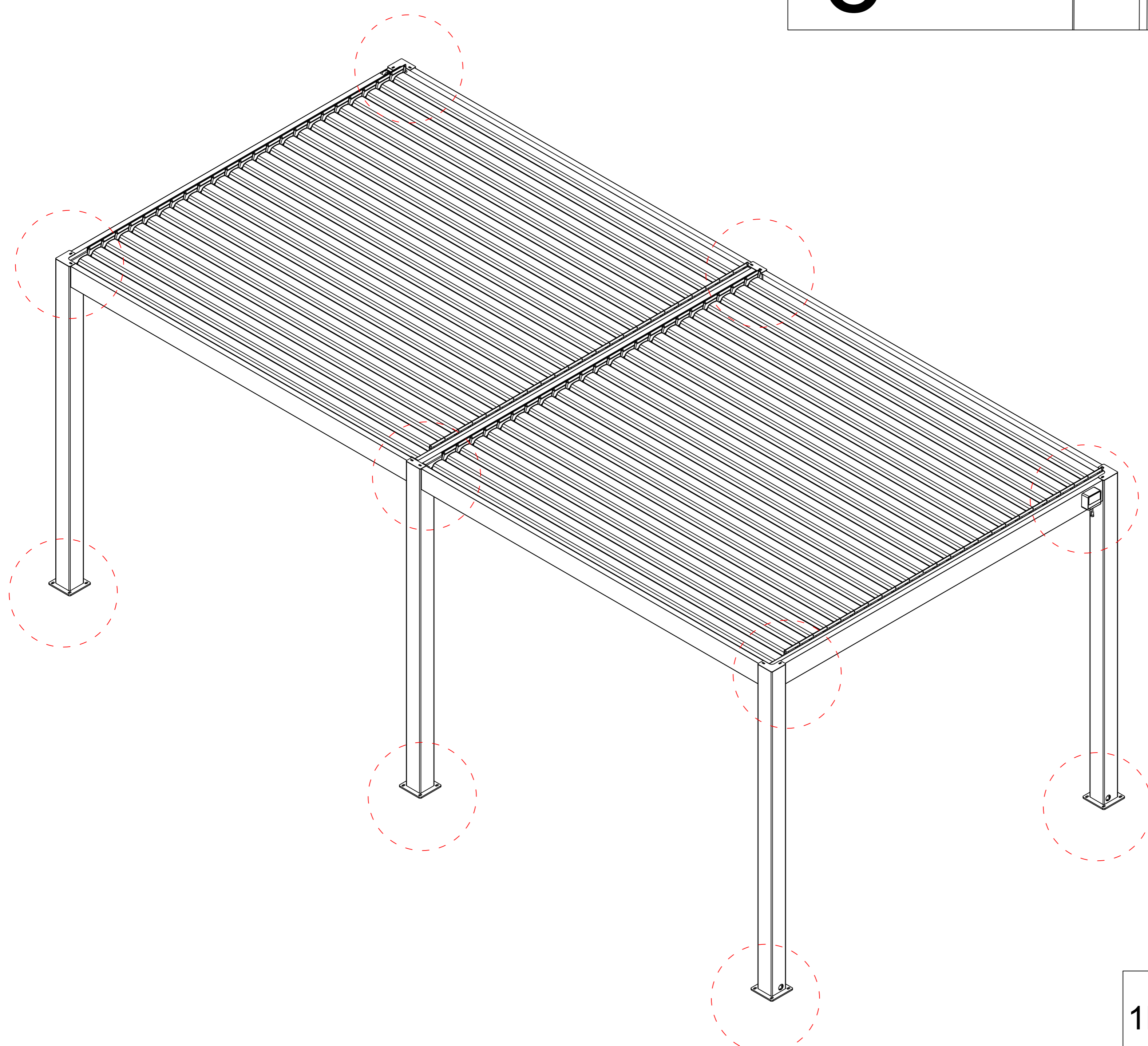
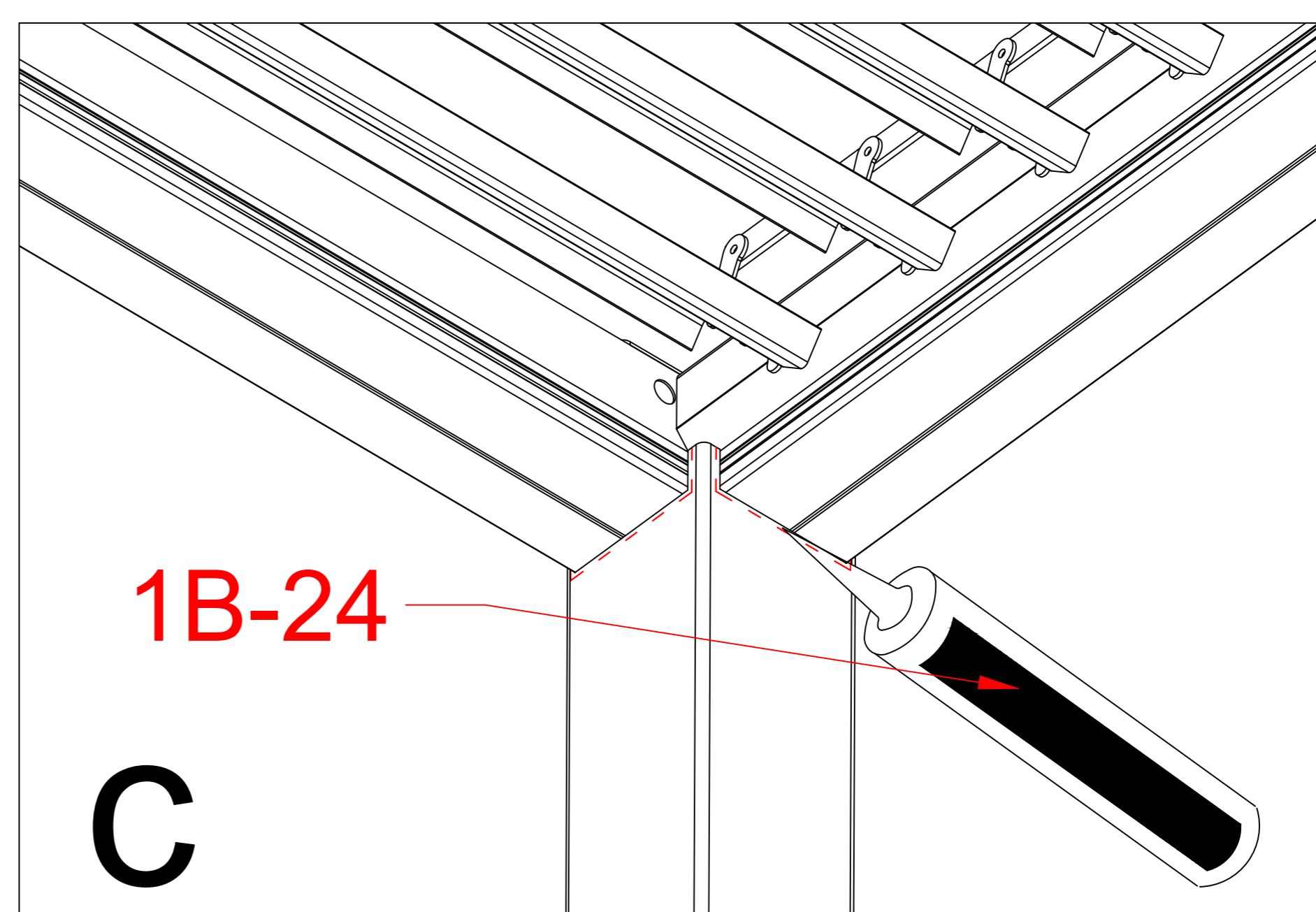
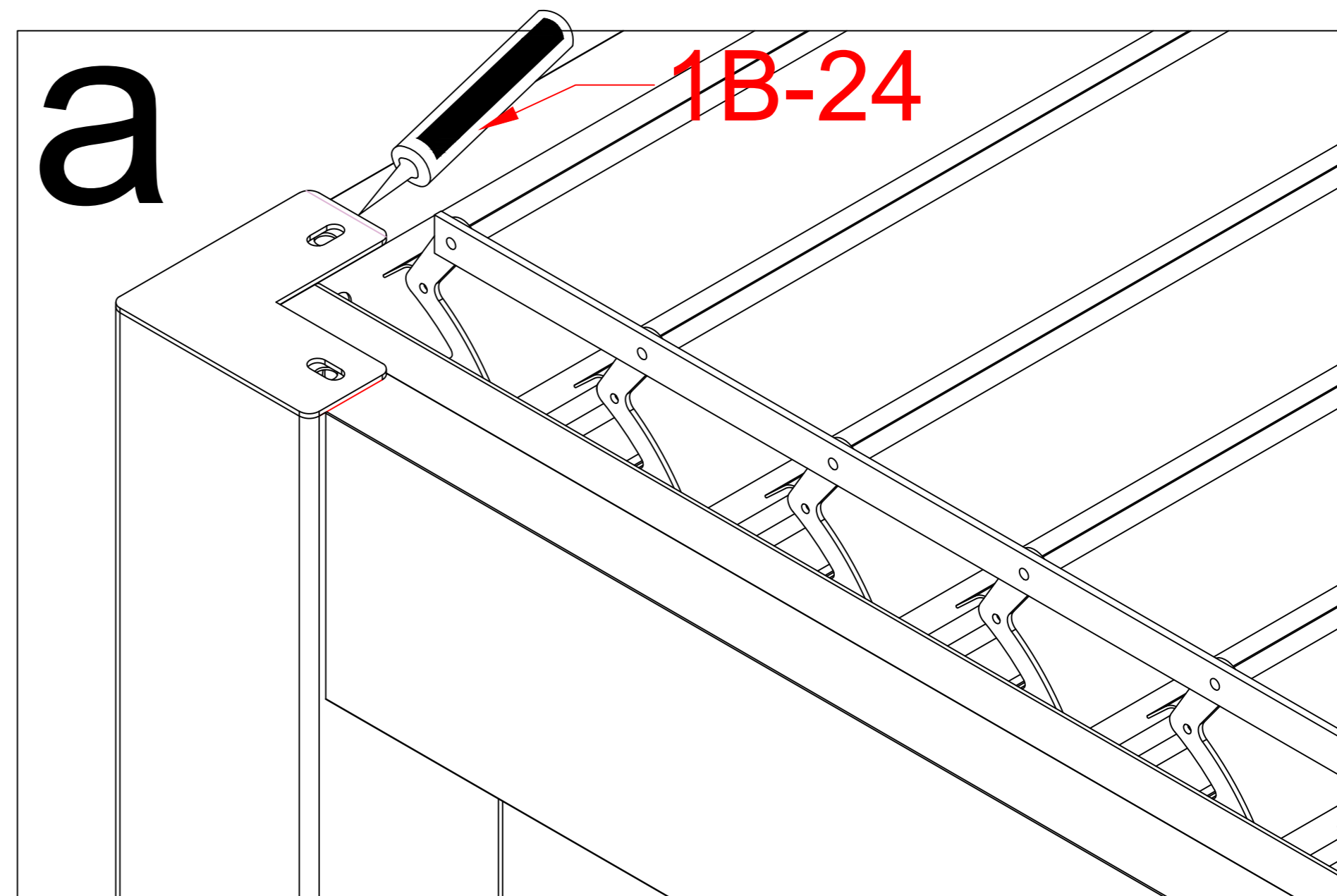
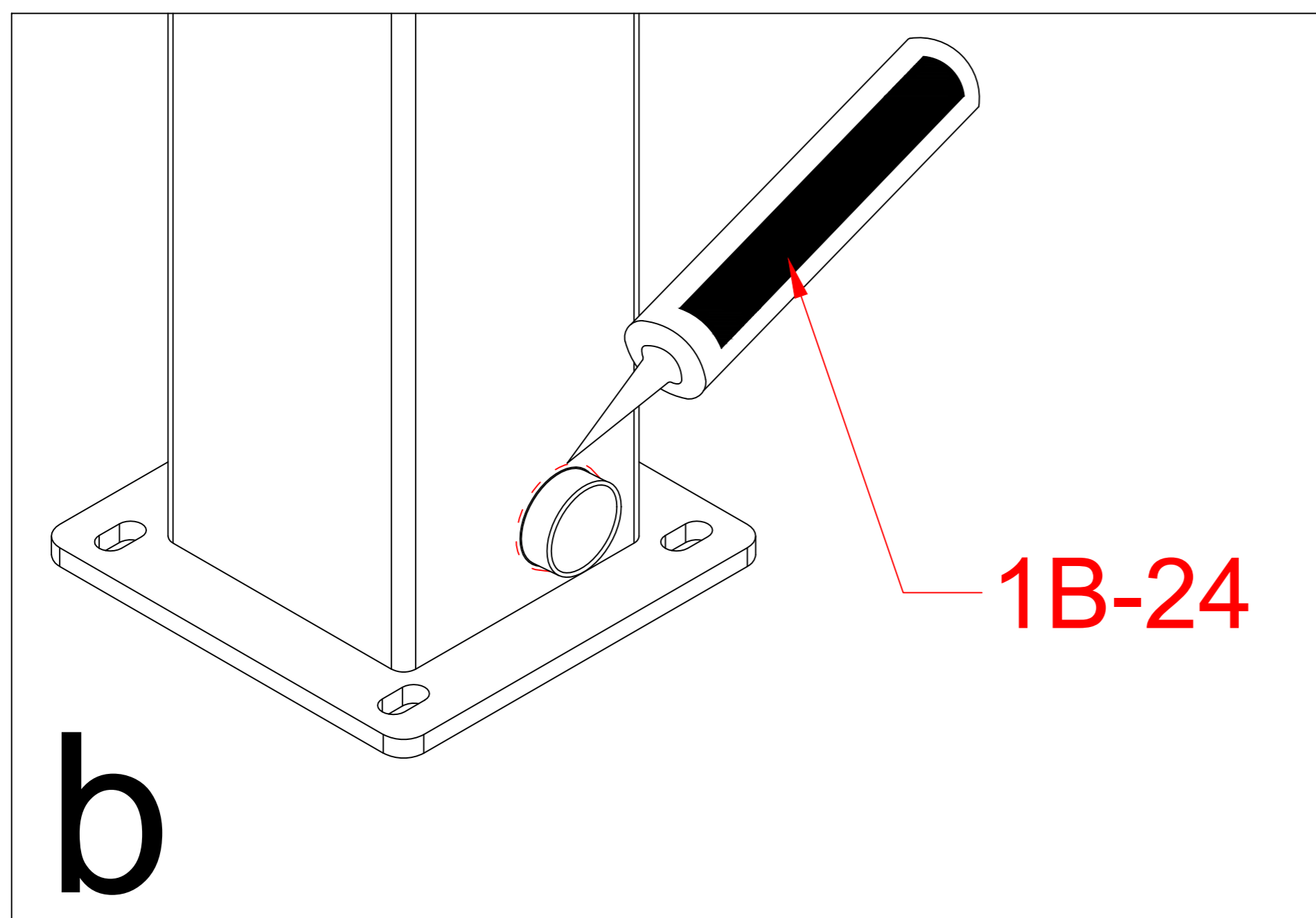
1B-23		20
1B-08A /B/C/D		4

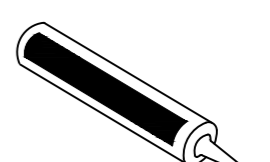




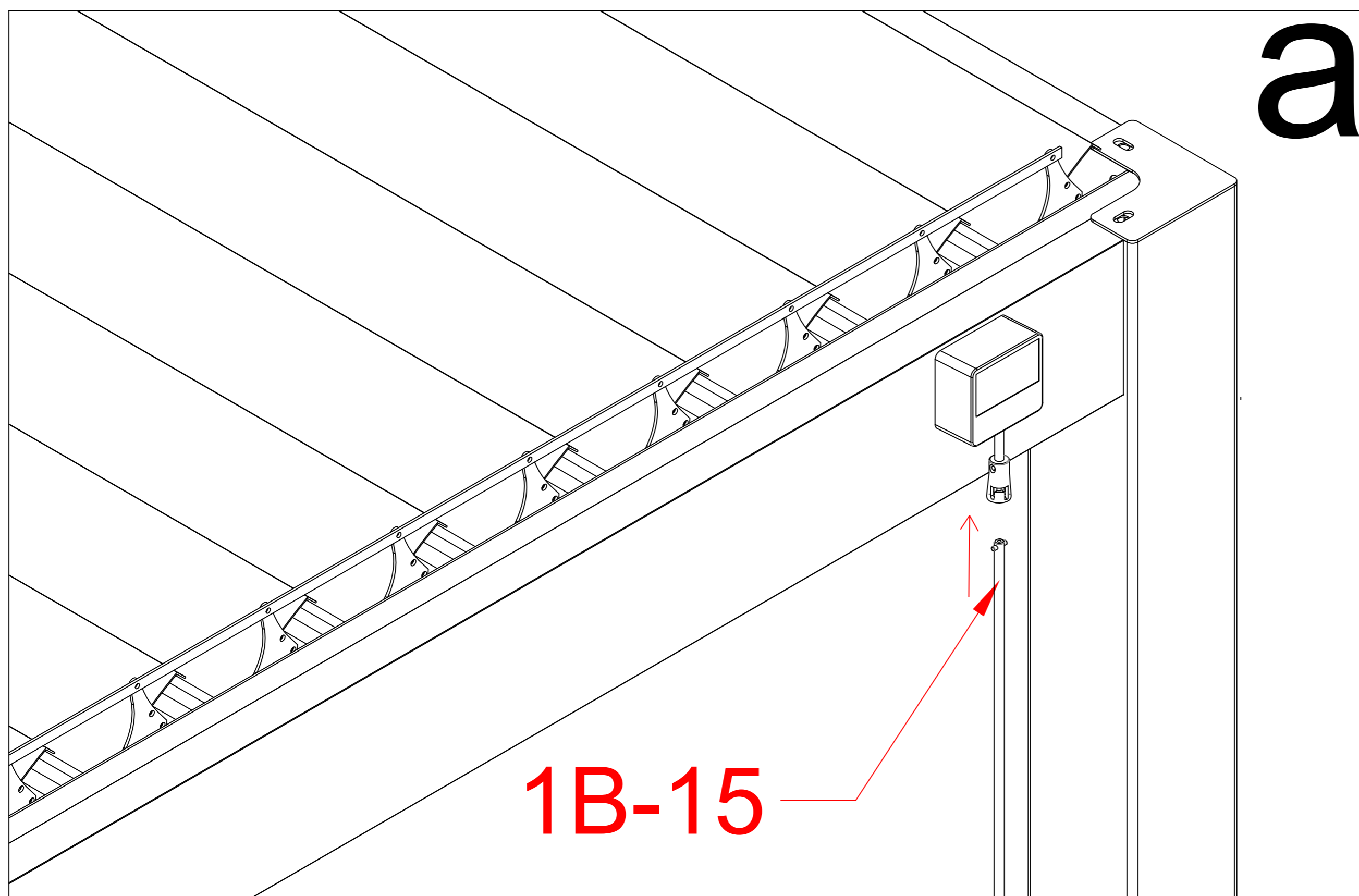
1B-14	 + 	2
1B-16		2





1B-24		1
-------	---	---

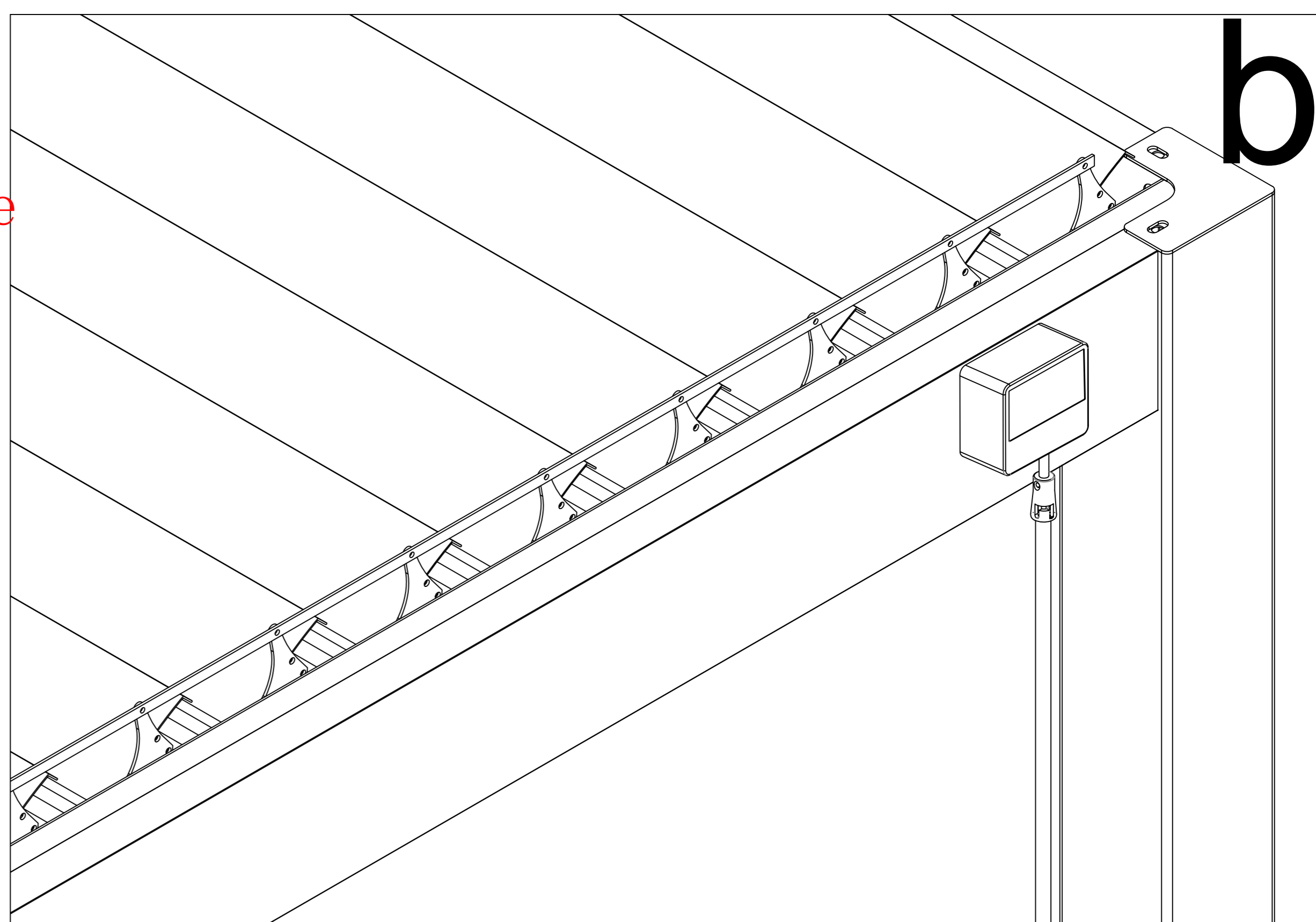




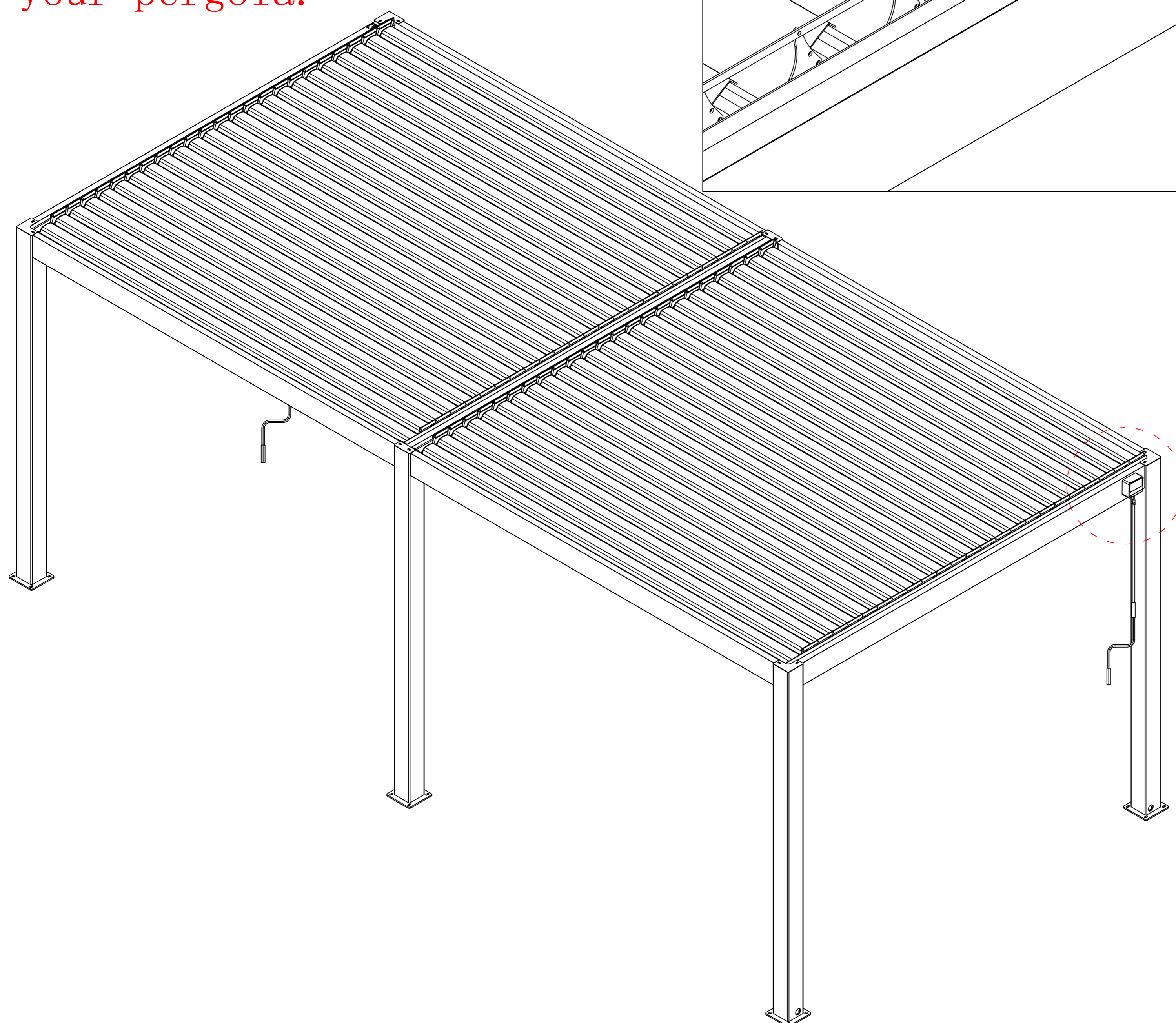
a

1B-15

Warning
 In Snow / Wind season or in case
 of
 snow / wind forecast open up
 your shutters
 in vertical position to avoid
 any damaging
 on your pergola.



b



1B-15		2
-------	--	---

