



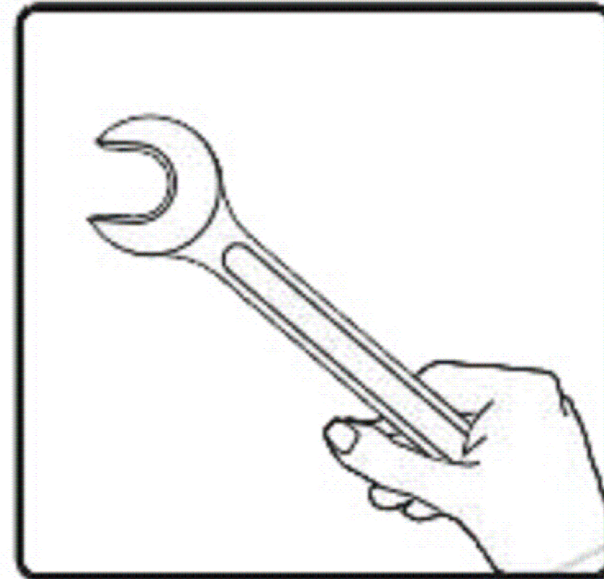
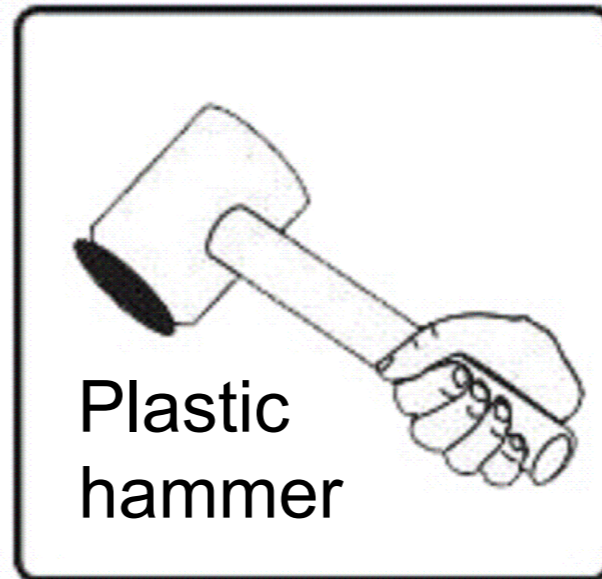
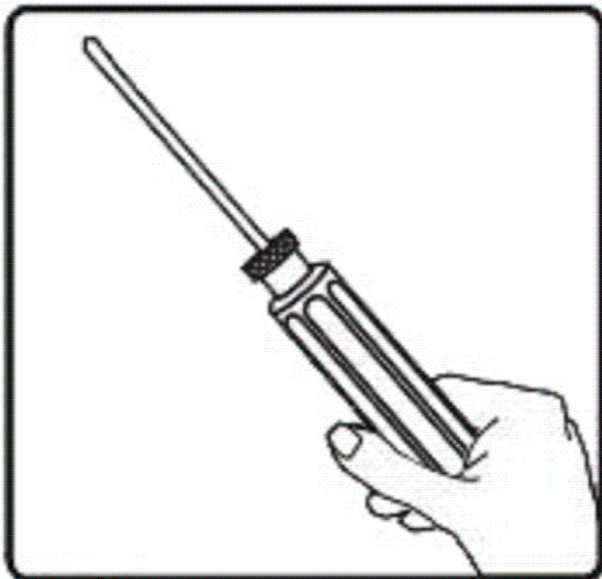
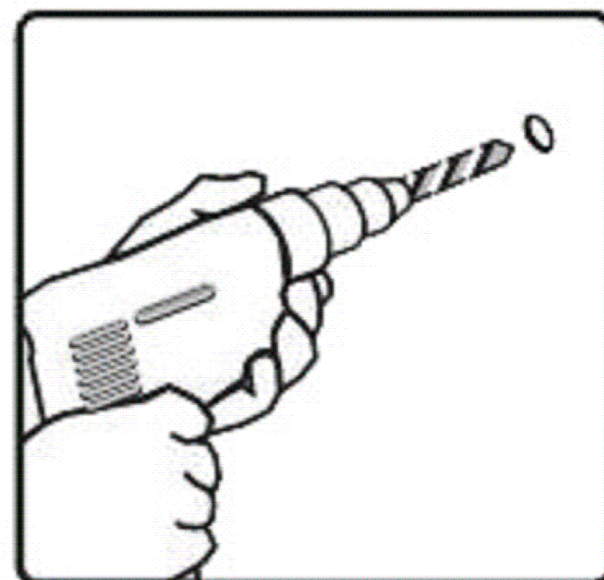
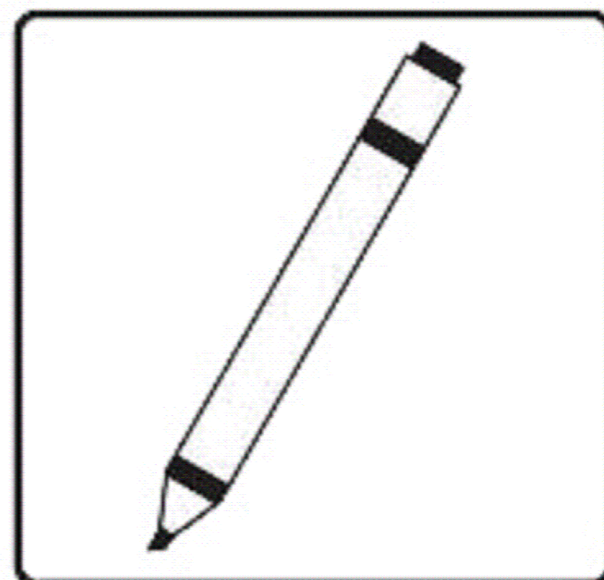
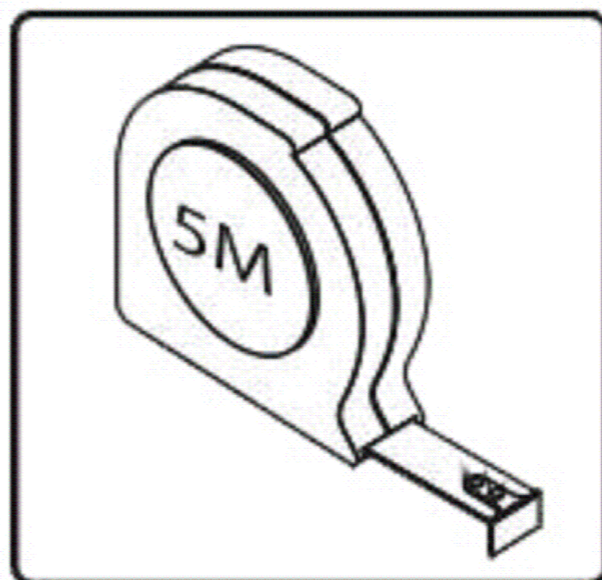
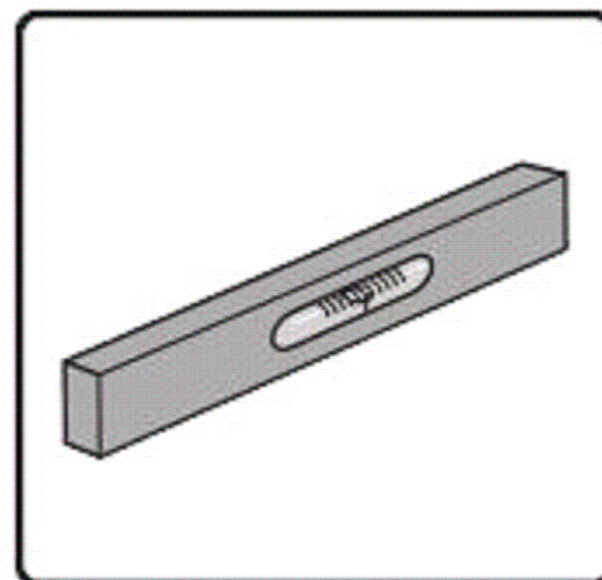
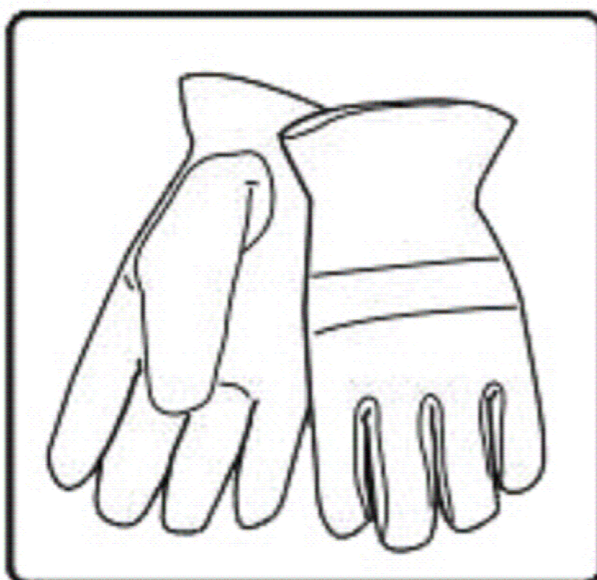
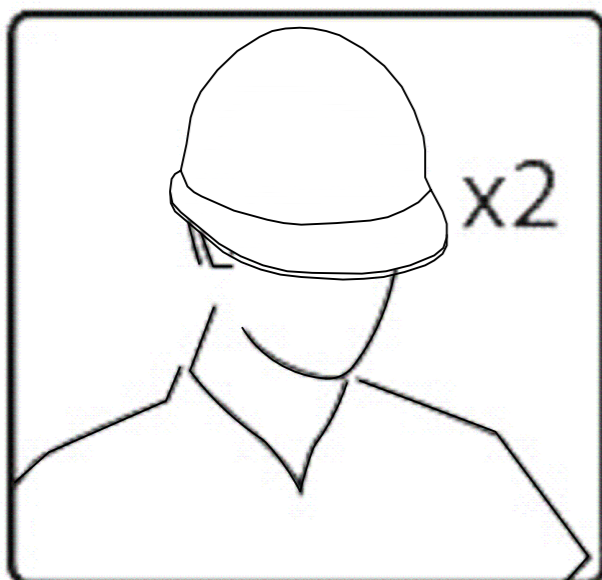
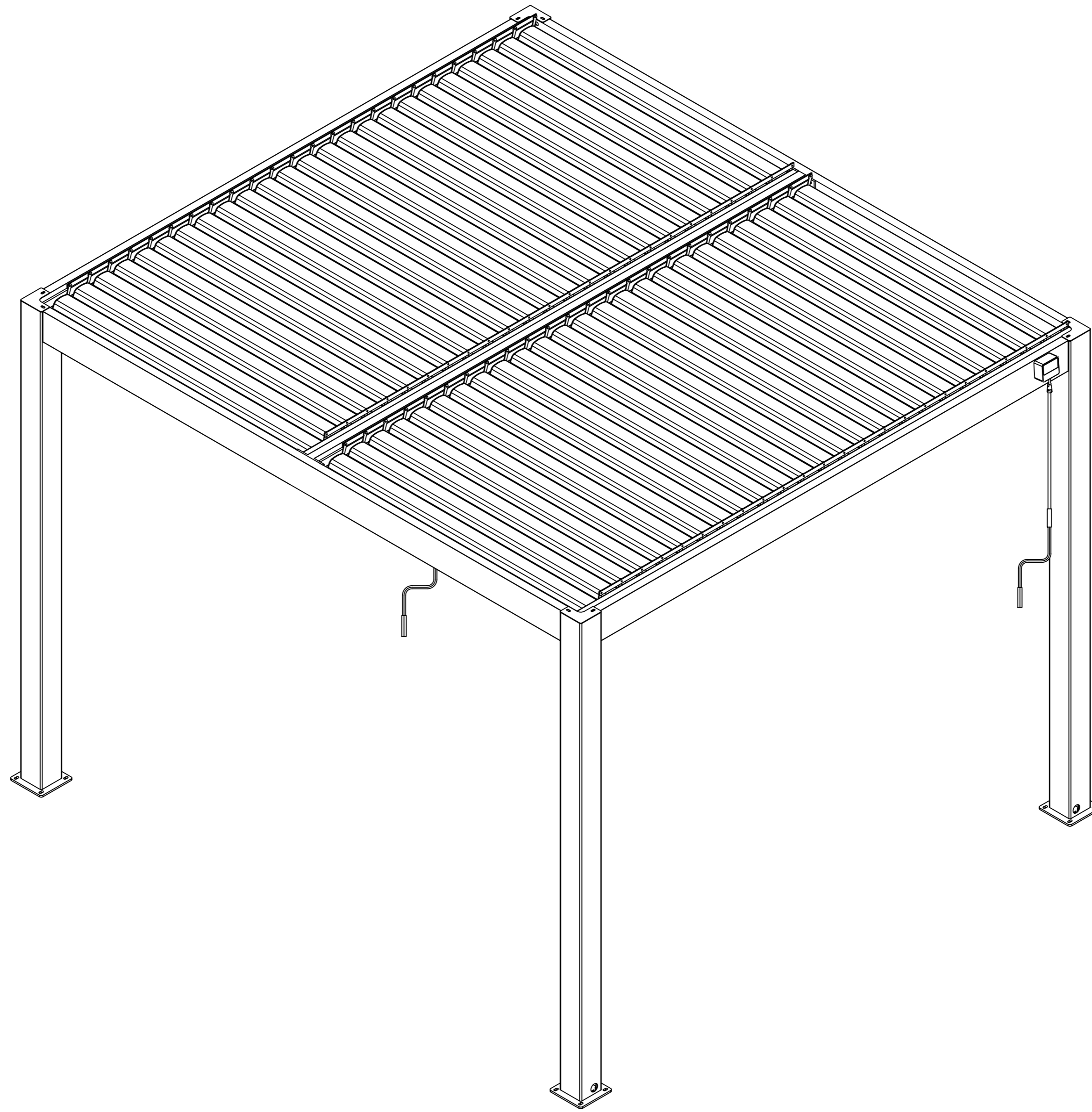
QUEEN PERGOLA FREE STANDING 4 POSTS

4x4m



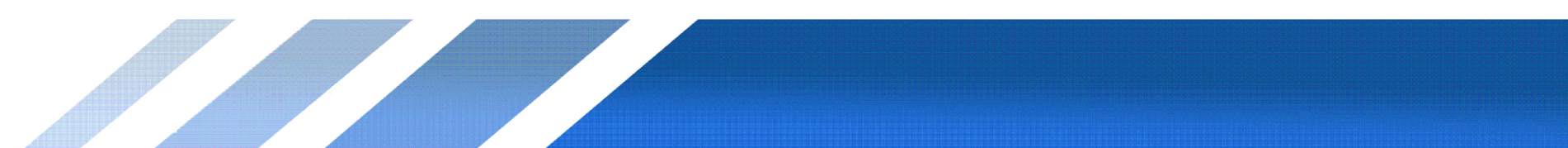


4x4m

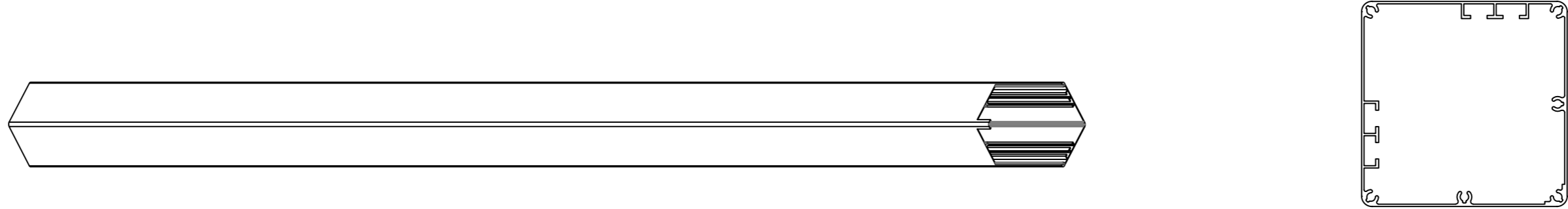
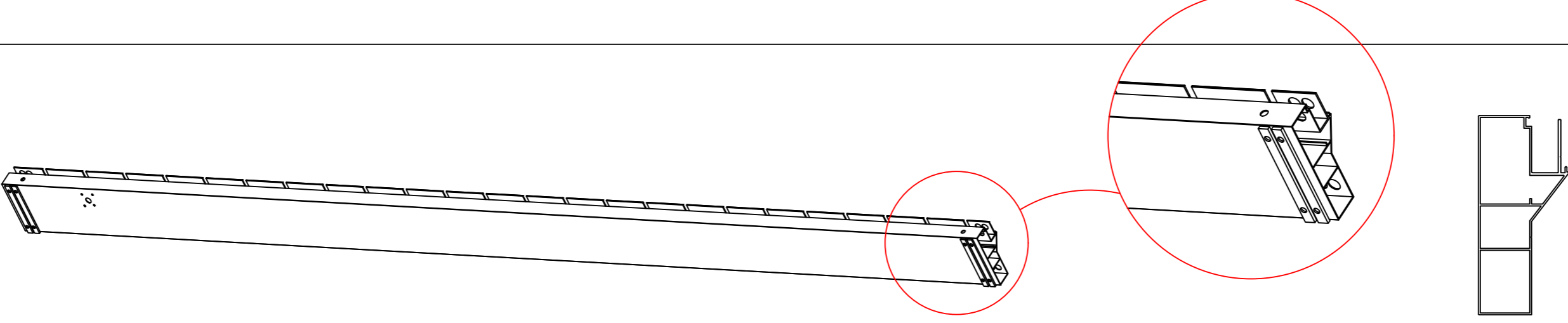
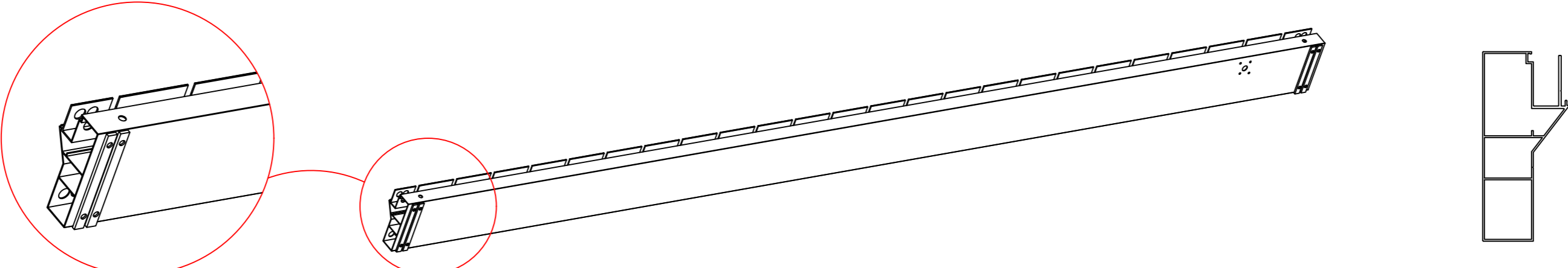
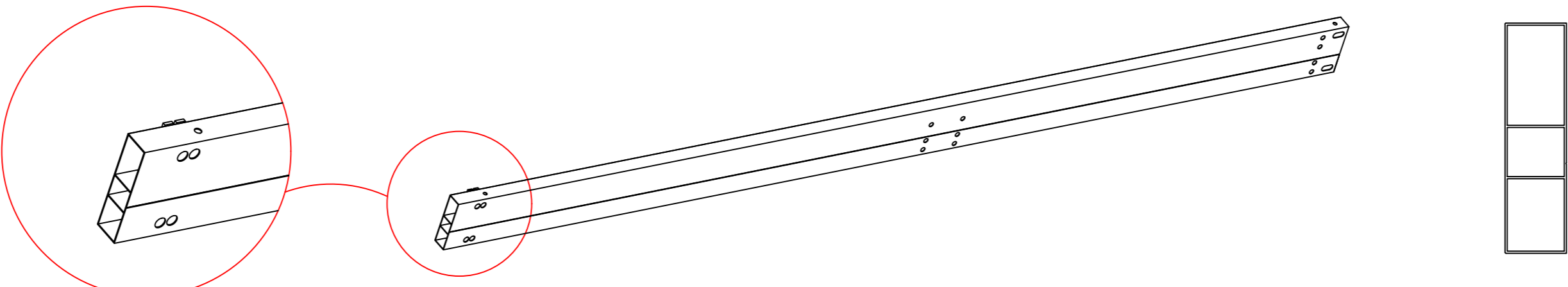
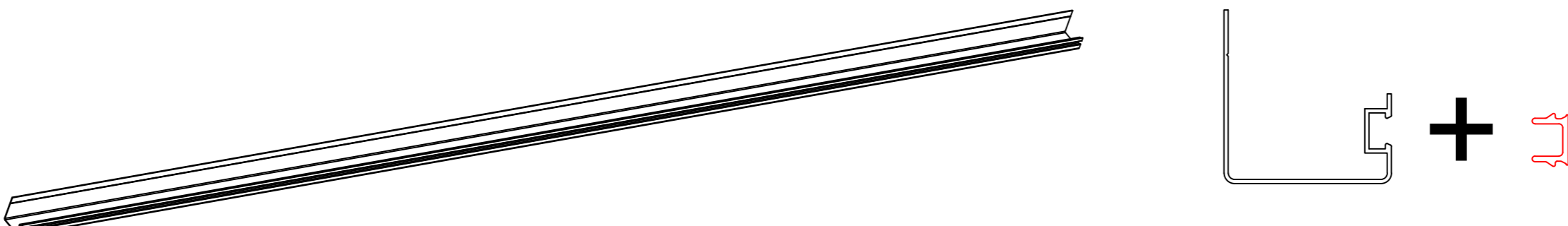
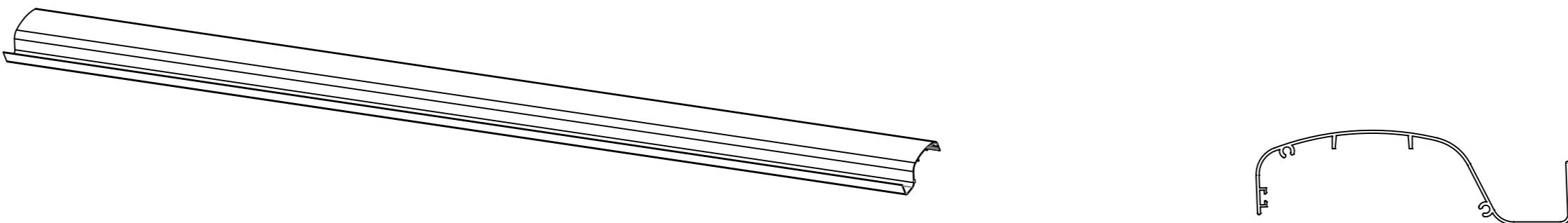
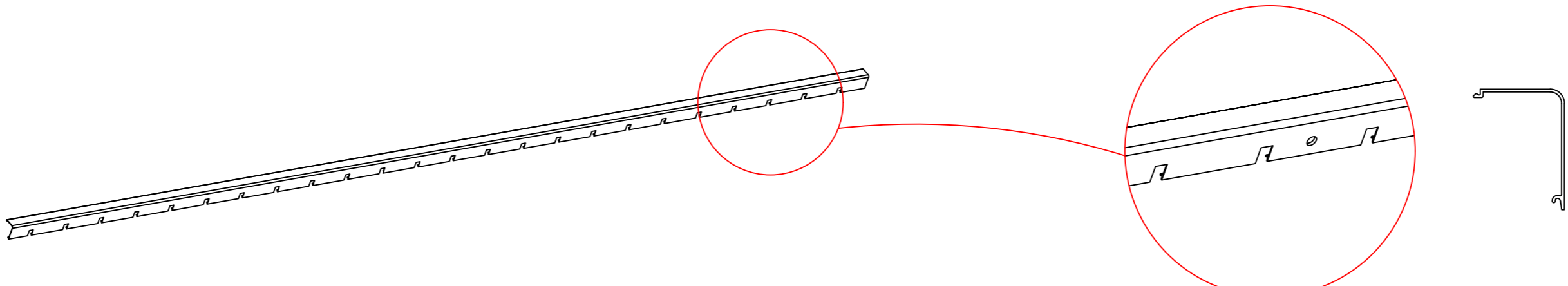
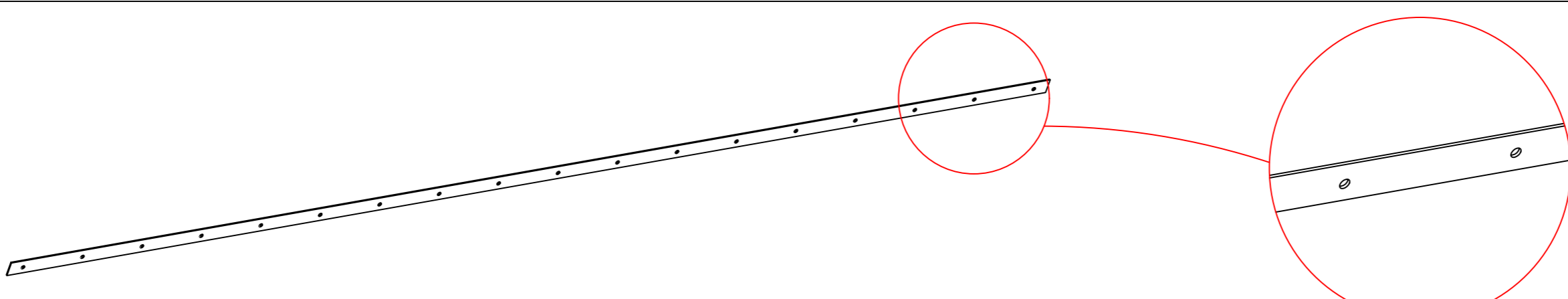
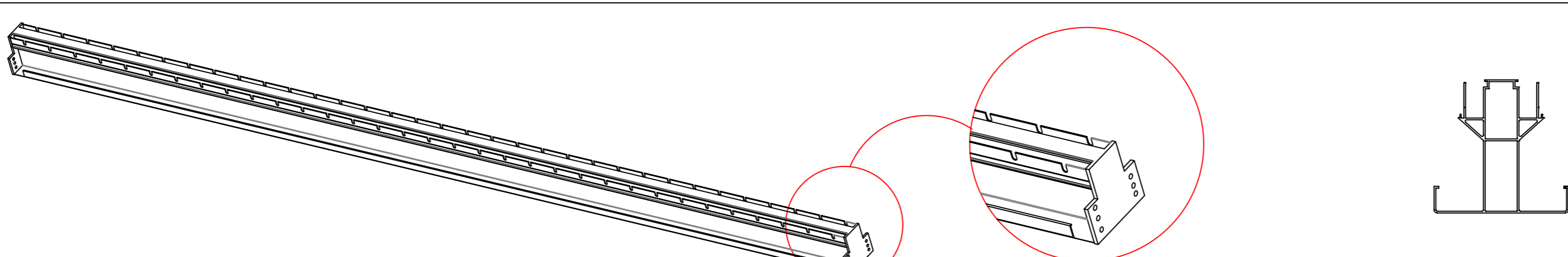
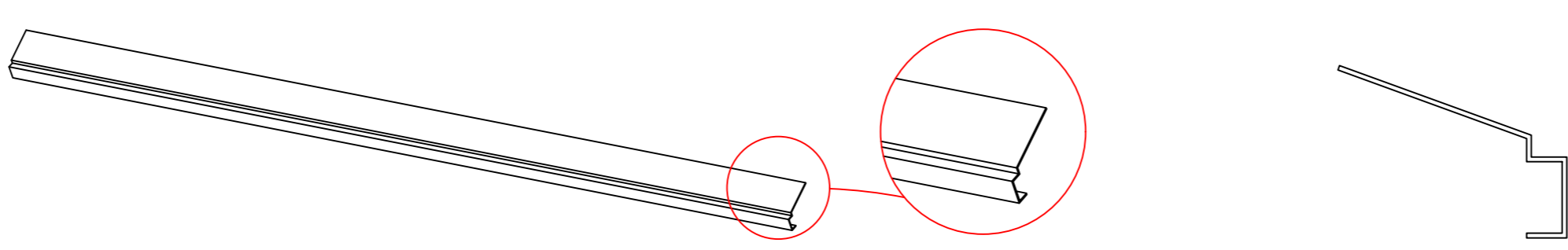


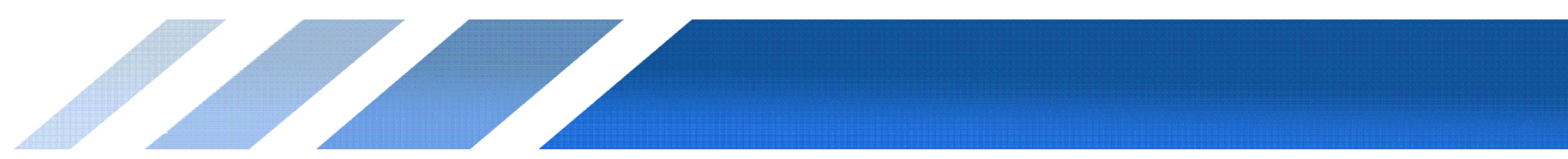


	Item	Qty	Item	Qty	Item	Qty
Carton 1/6	1B-01	4	1B-11	4	1B-12	4
	1B-13	4	1B-14	2	1B-15	2
	1B-18	1	1B-19	8	1B-20	132+
	1B-21	16	1B-22	24+	1B-23	42+
	1B-24	1	1B-25	12+	1B-16	2
	1B-48	65+	1B-48B	1	1B-49	65+
	1B-50	1	1B-51	264+	1B-64	1
Carton 2/6	1B-02	1	1B-03	1	1B-08	2
	1B-05	6	1B-09	4		
Carton 3/6	1B-04	2	1B-28	1	1B-29	2
	1B-08	2				
Carton 4/6	1B-06	22				
Carton 5/6	1B-06	22				
Carton 6/6	1B-06	22				





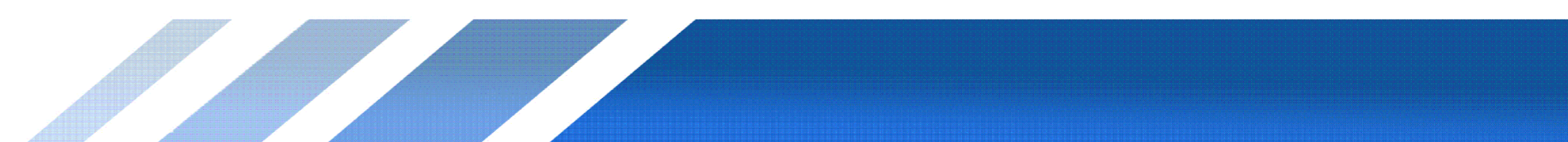
Item	Drawings	Qty
1B-01		4
1B-02		1
1B-03		1
1B-04		2
1B-05		6
1B-06		66
1B-08		4
1B-09		4
1B-28		1
1B-29		2

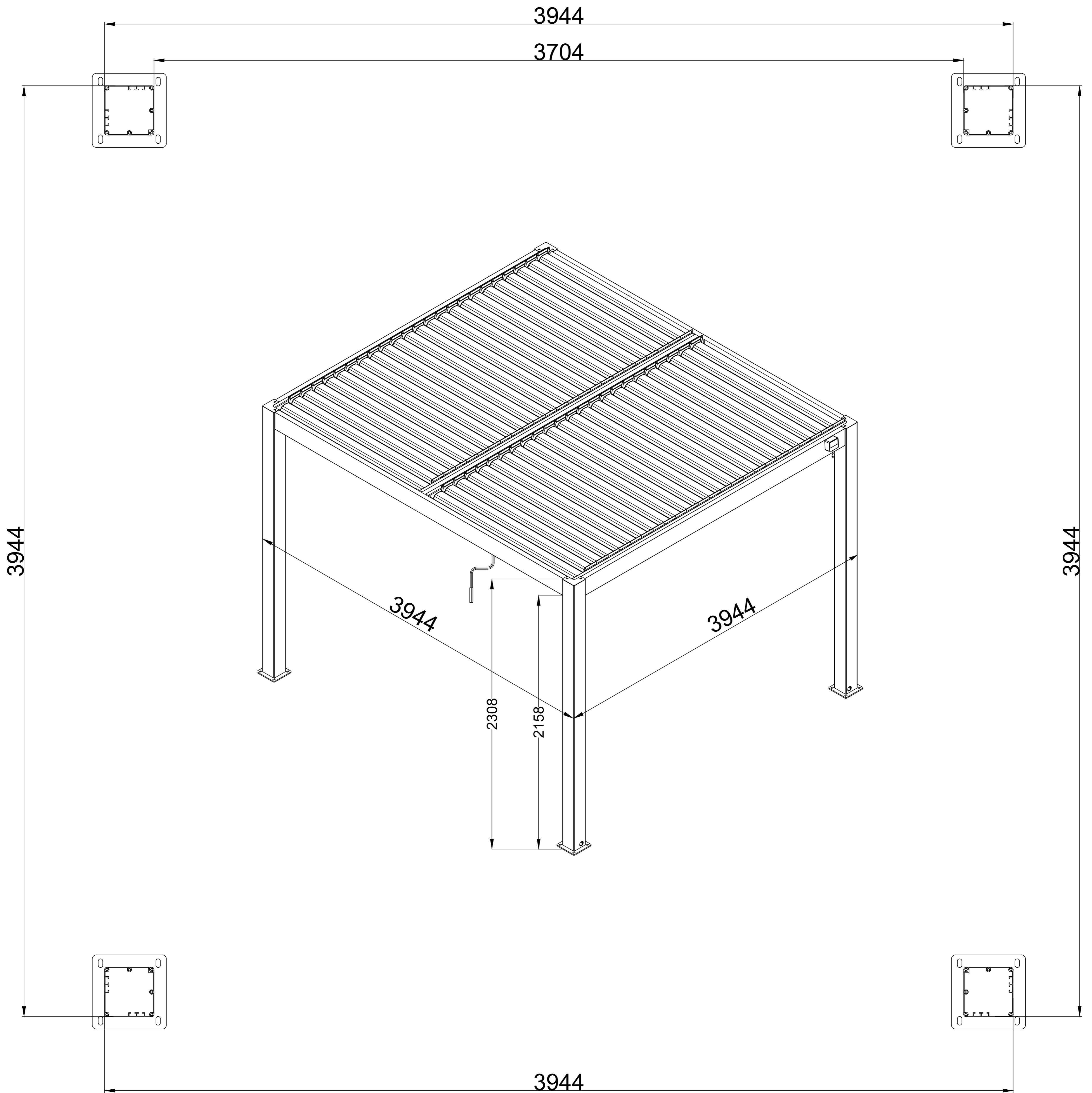


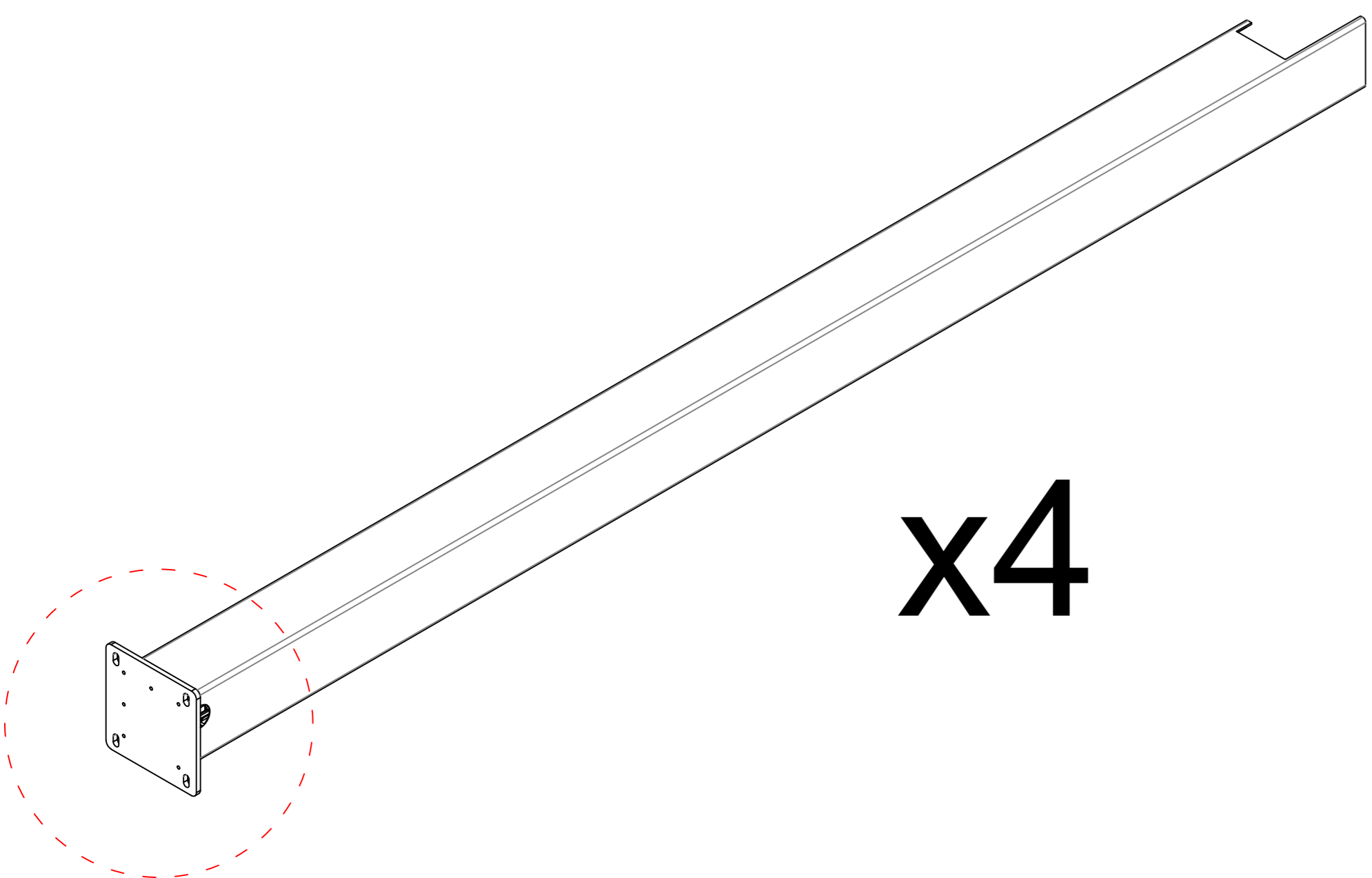
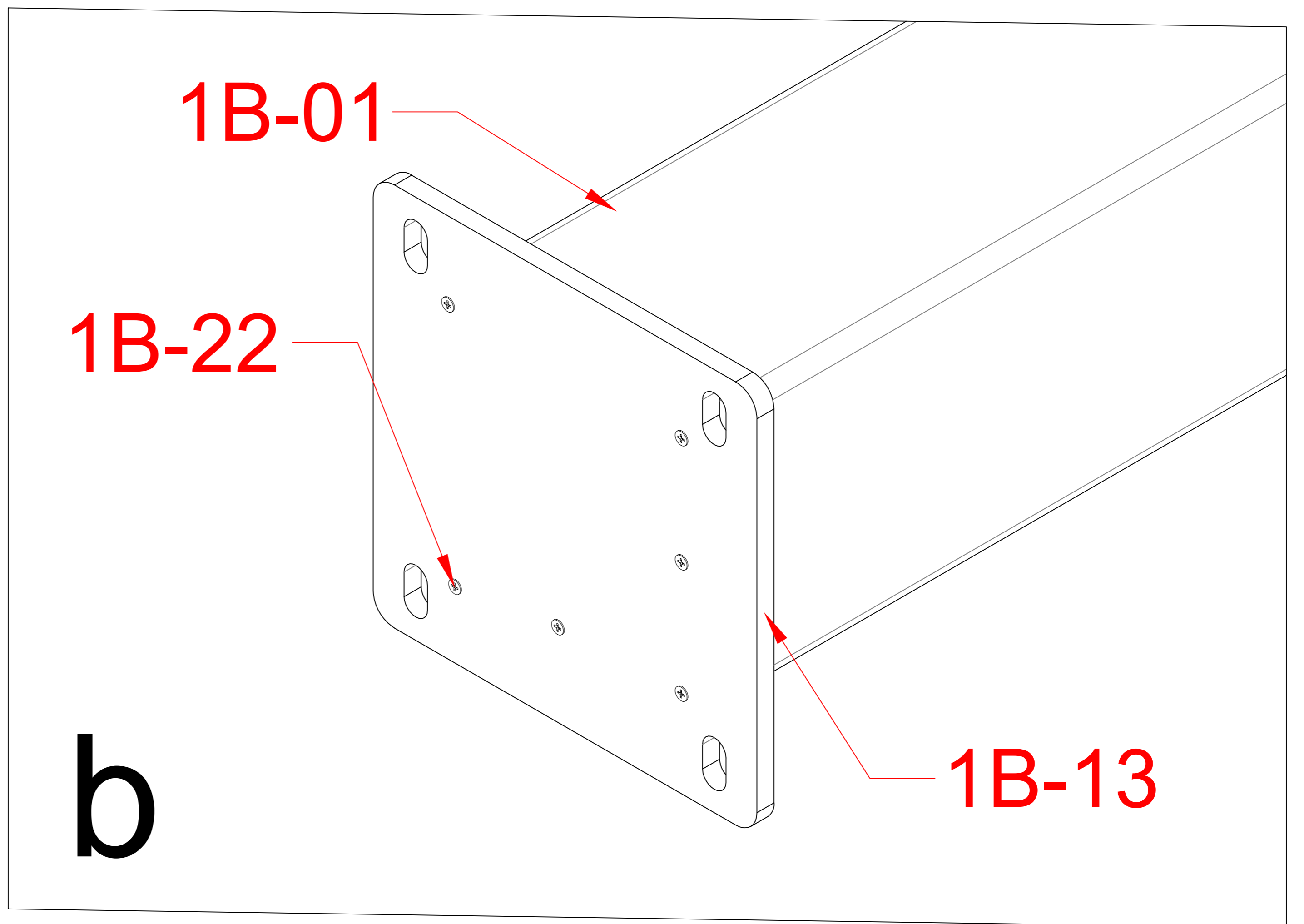
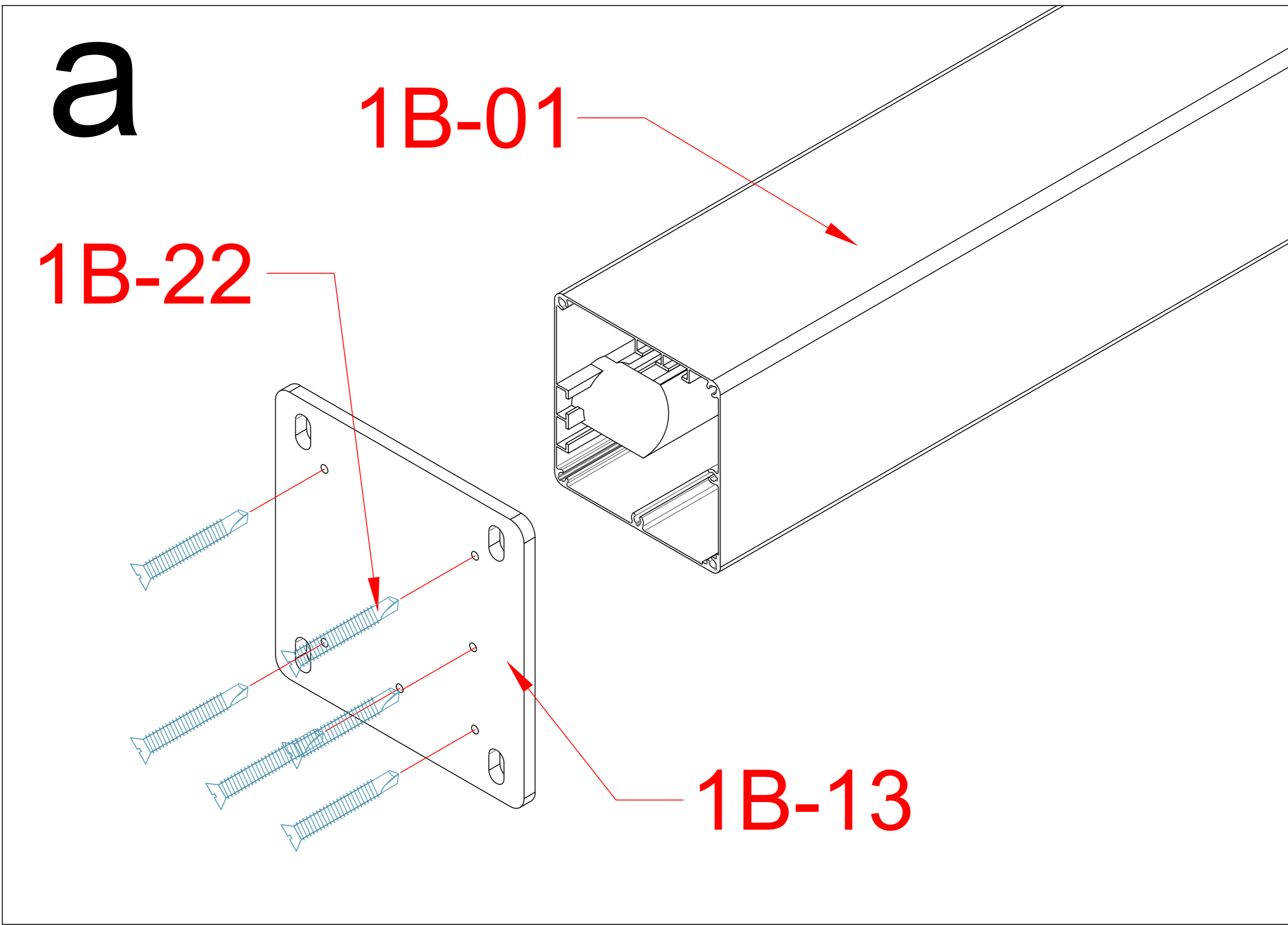


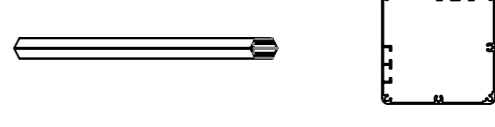
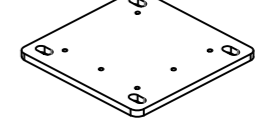
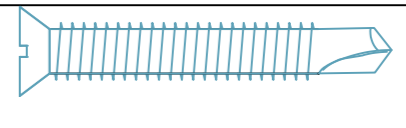
Item	Drawings	Qty
1B-11		4
1B-12		4
1B-13		4
1B-14		2
1B-15		2
1B-16		2
1B-18		1
1B-19	 M8*20	8
1B-20		132+
1B-21	 M10*80	16
1B-22	 M5.5*50	24+

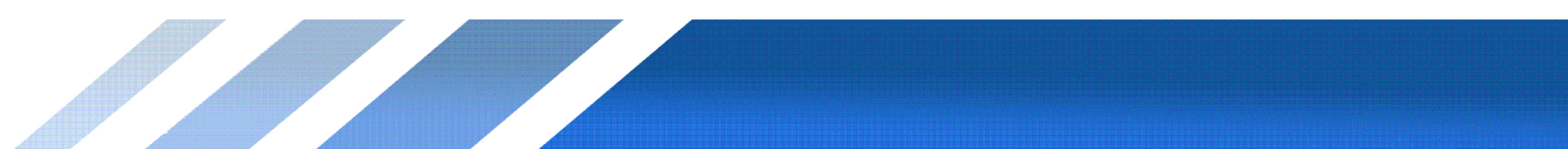
Item	Drawings	Qty
1B-23	 M4.2*19	42+
1B-24		1
1B-25	 M8*30	12+
1B-48		65+
1B-48B		1
1B-49		65+
1B-50		1
1B-51	 M3.5*25	264+
1B-64		1

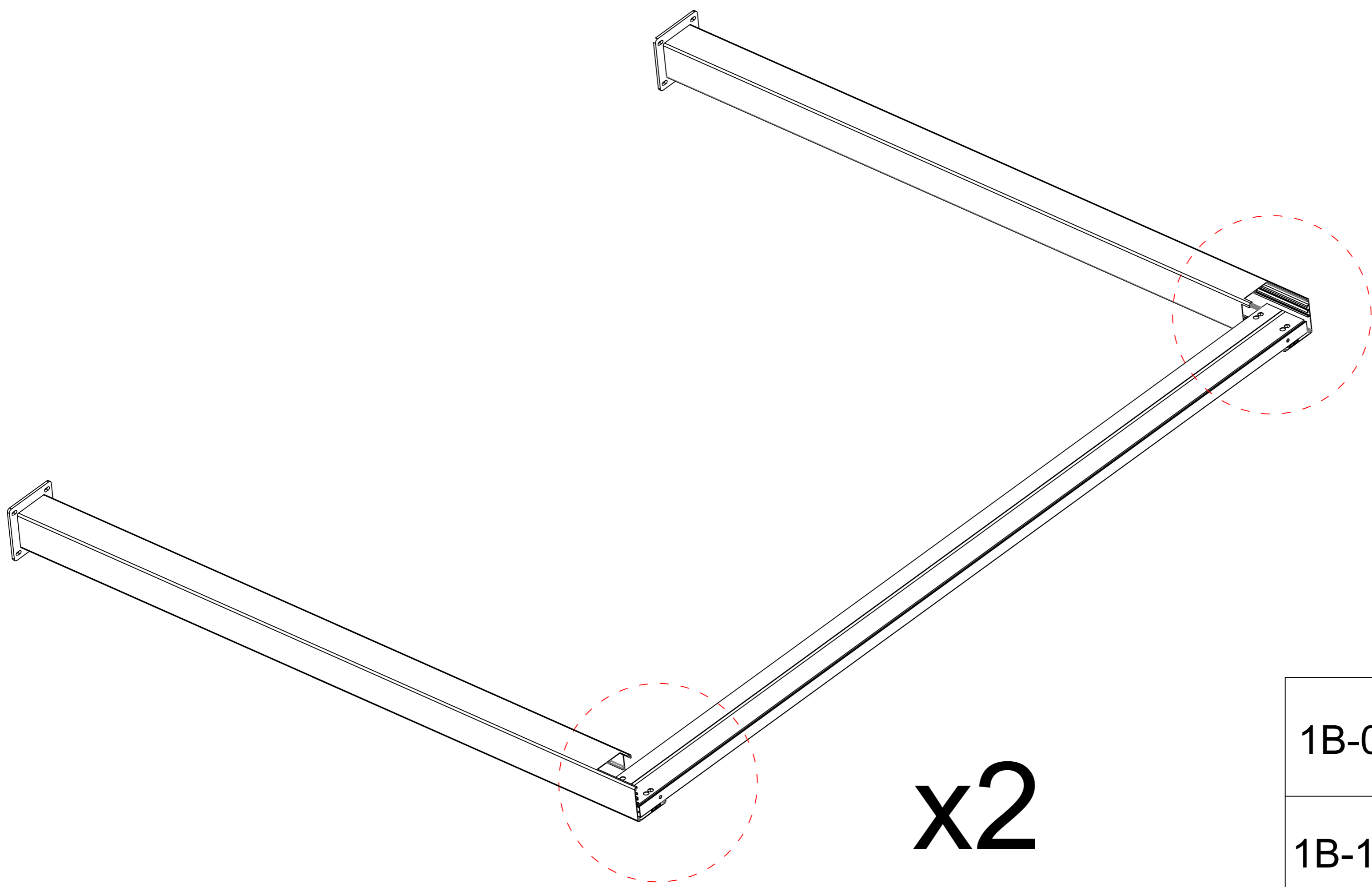
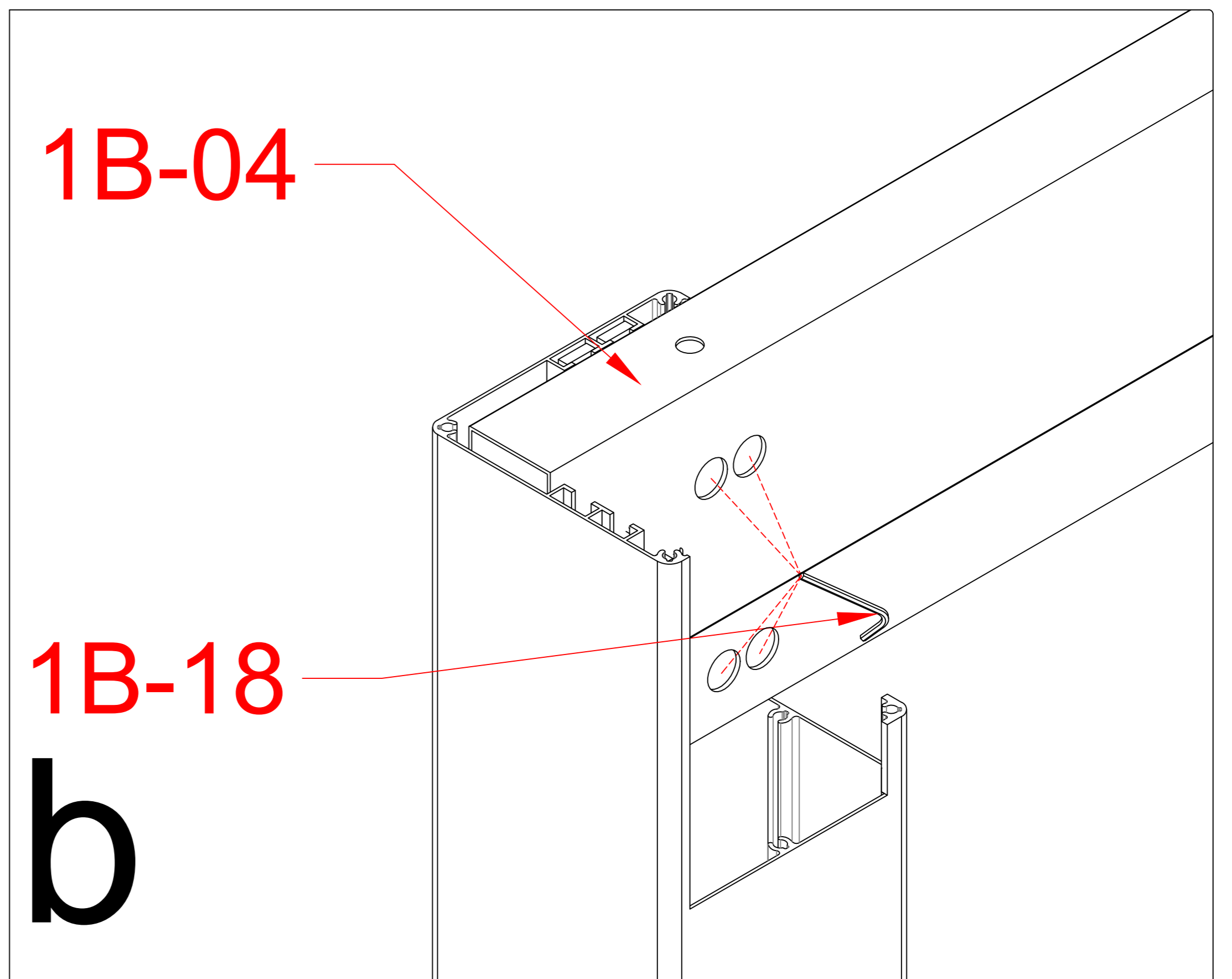
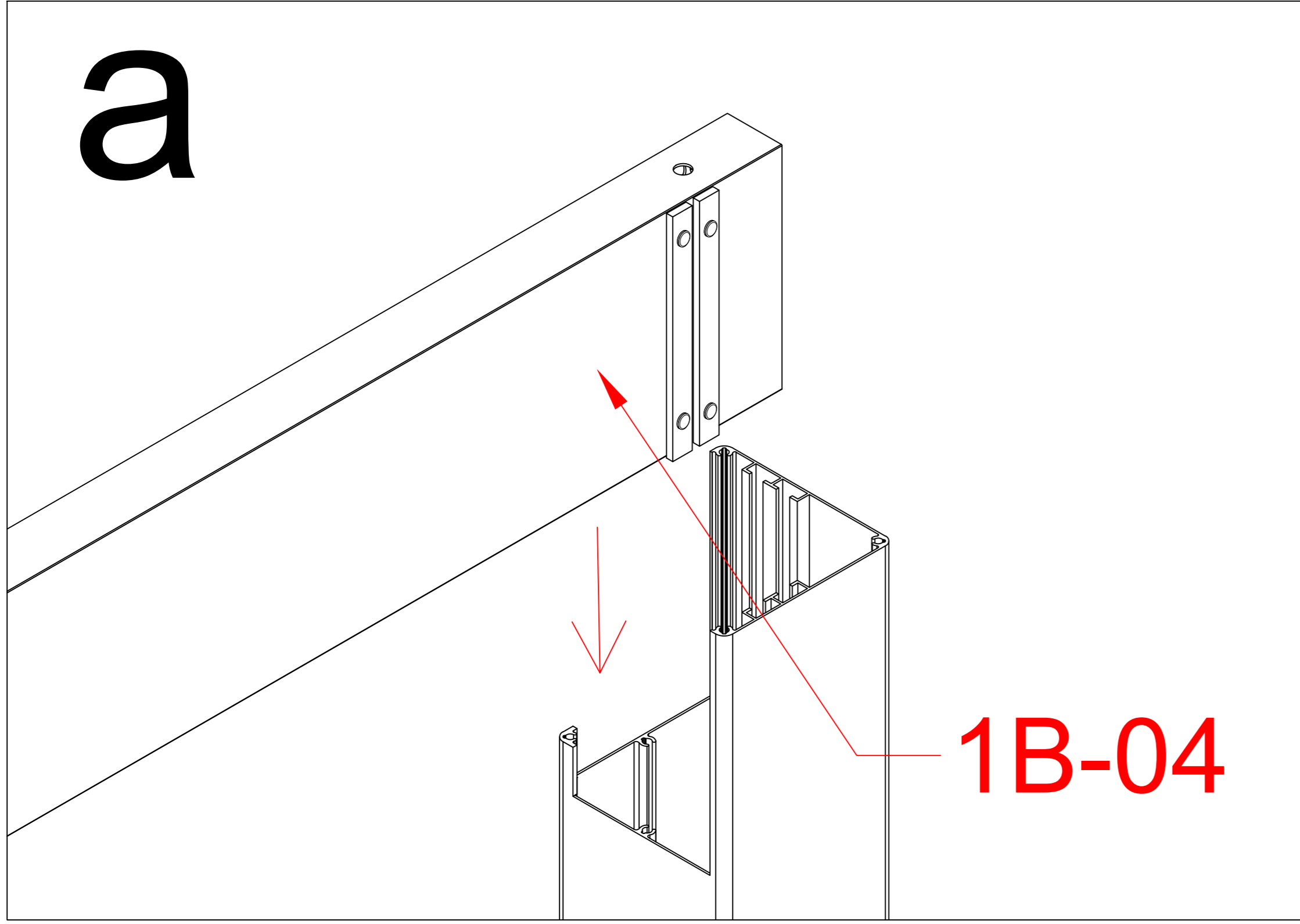




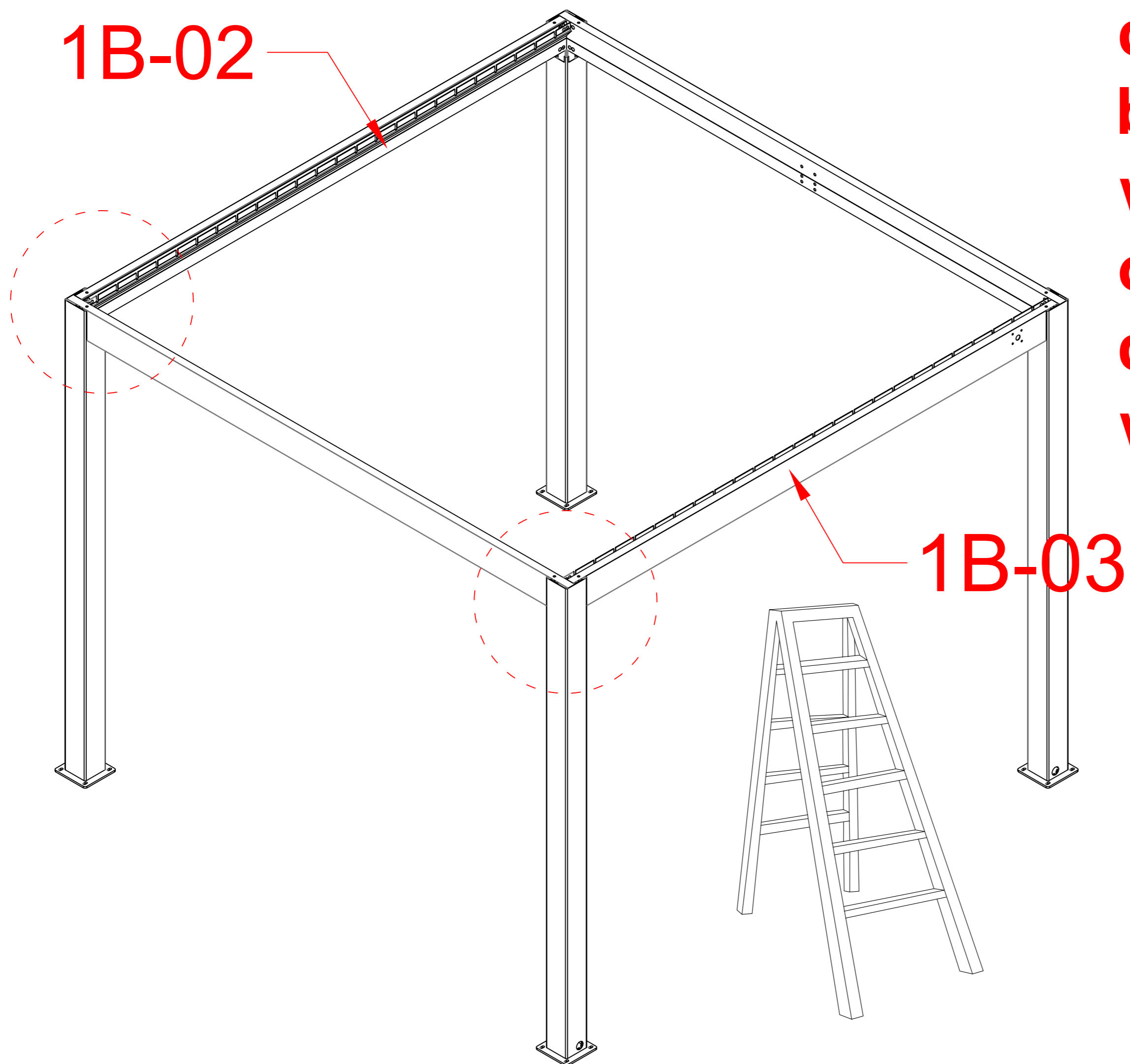
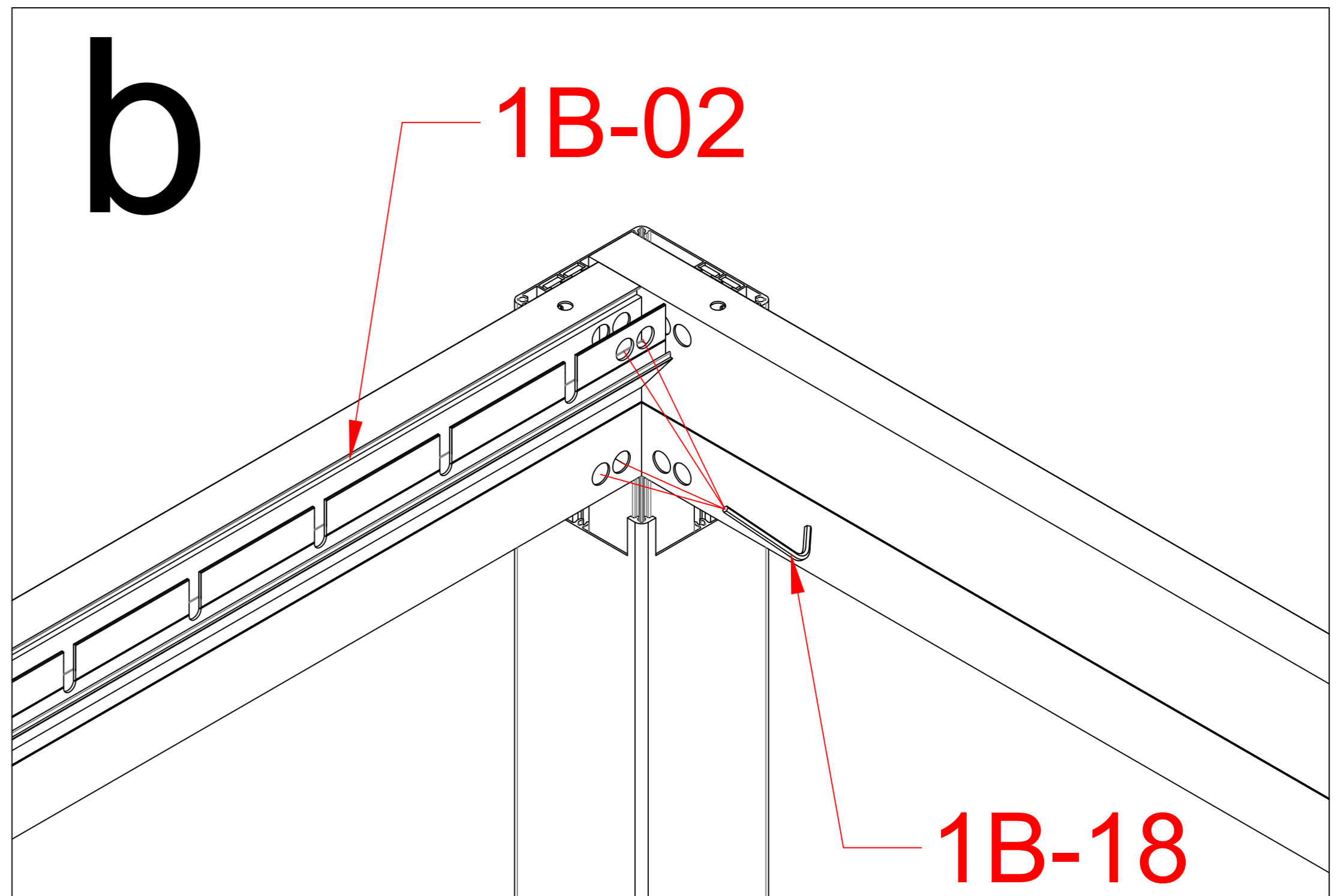
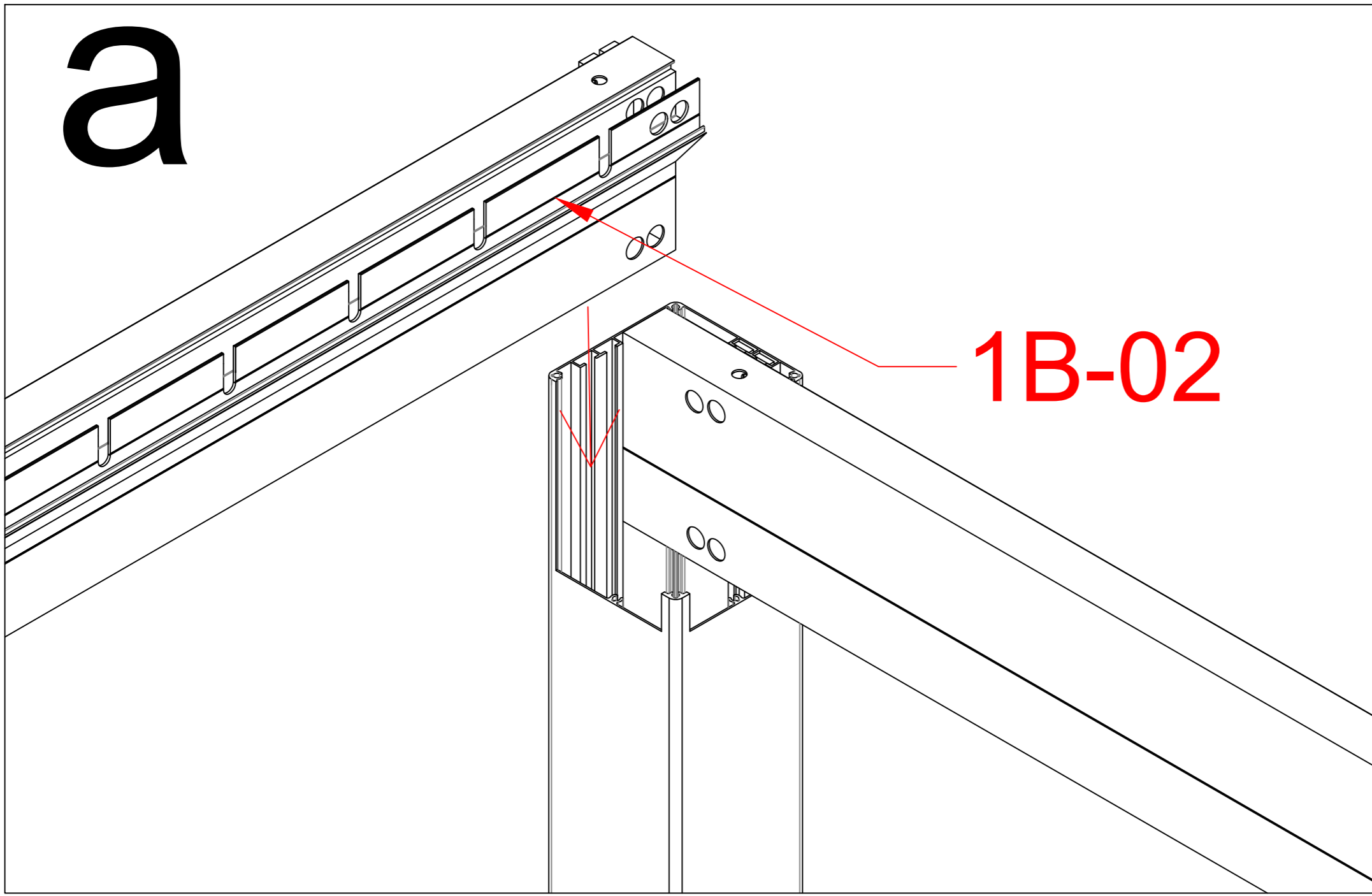


1B-01		4
1B-13		4
1B-22	 M5.5*50	24



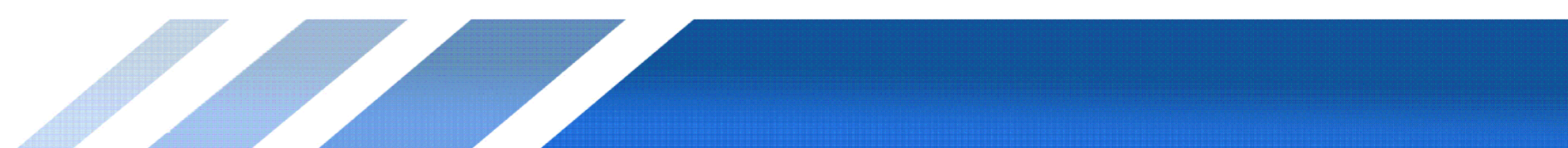


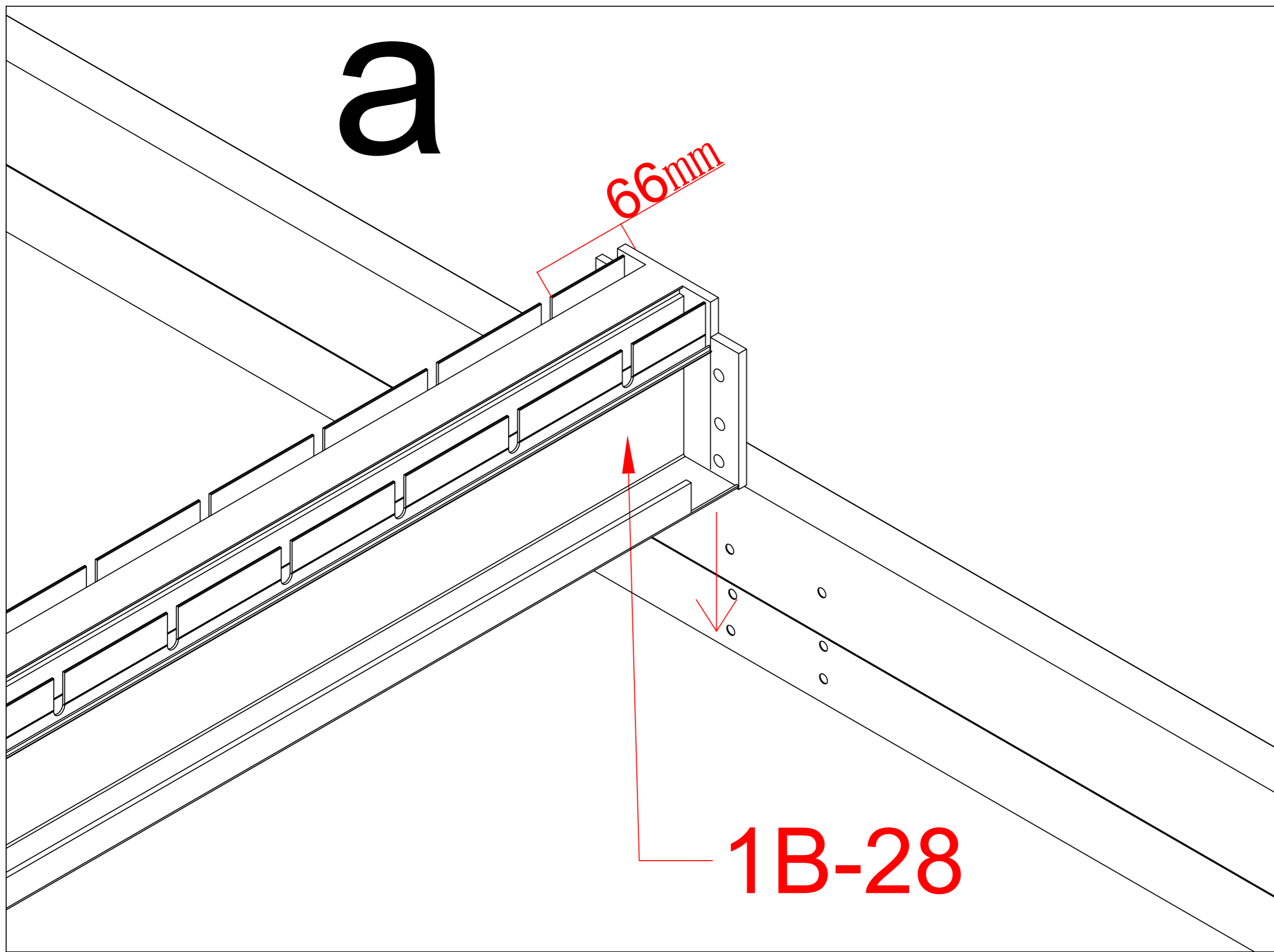
1B-04		2
1B-18		1



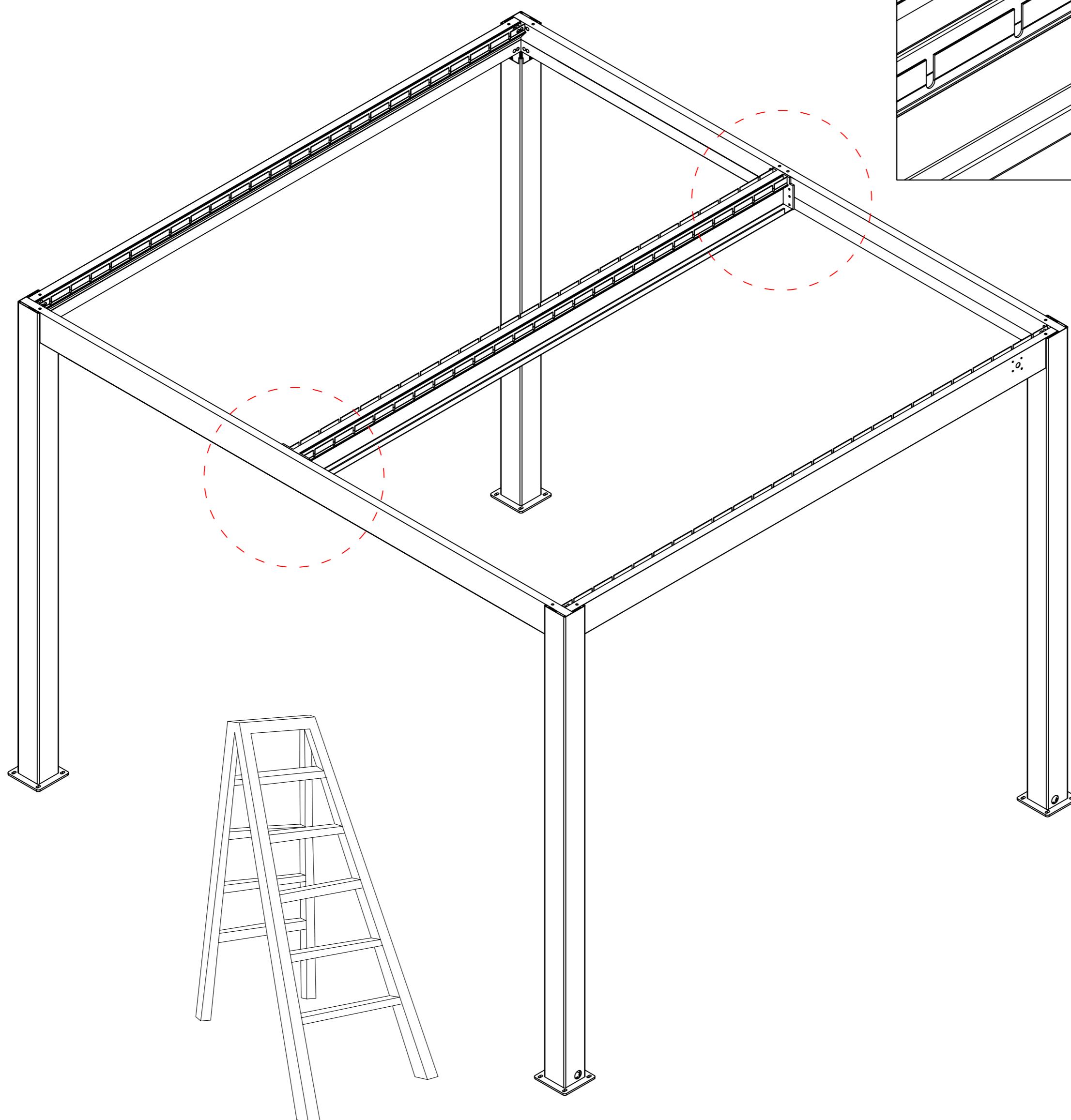
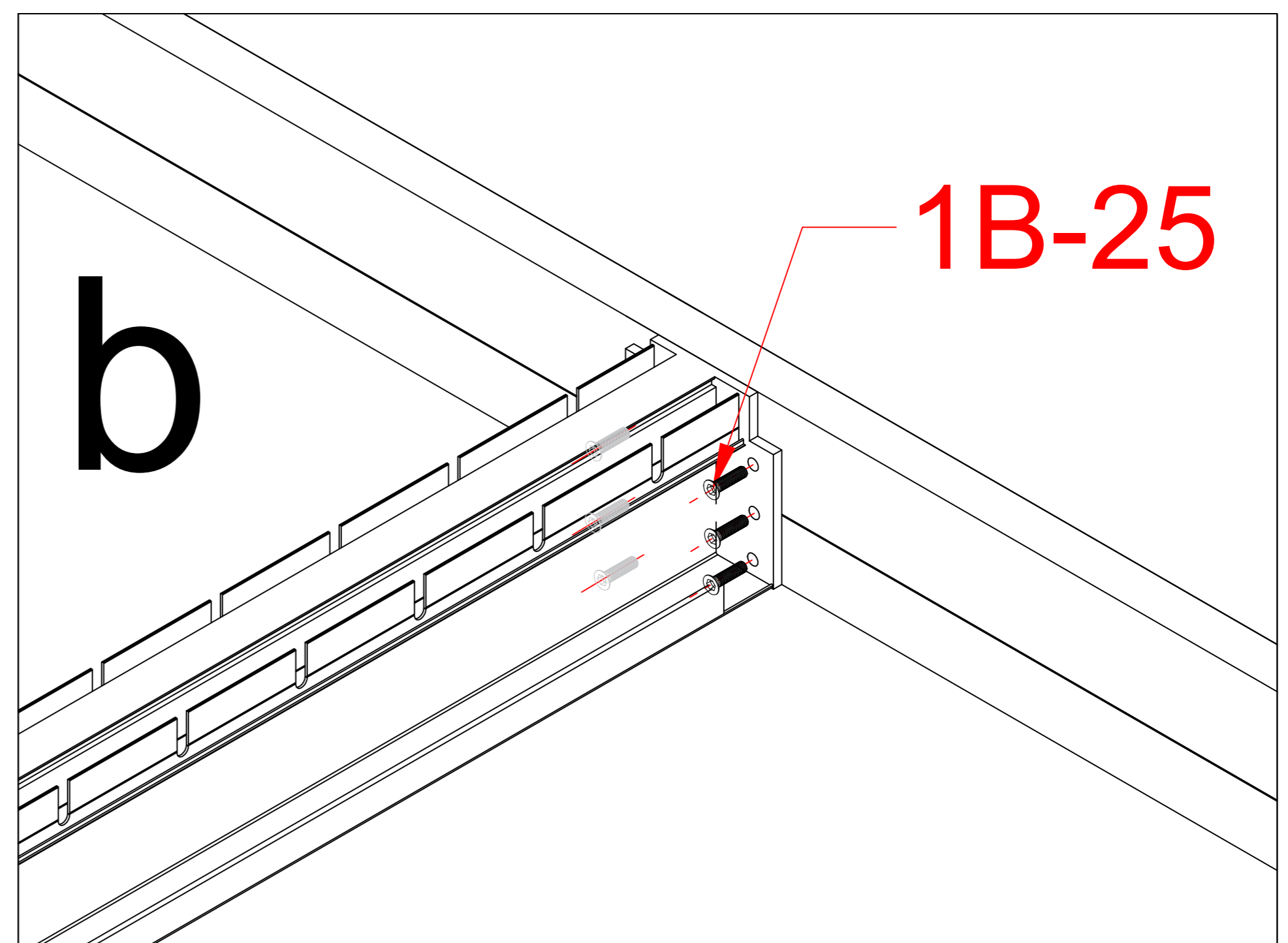
If there are electrical components including motor, blinds or LED light, Set the wire through the post firstly, otherwise it would be very difficult to do so after pergola was assembled.

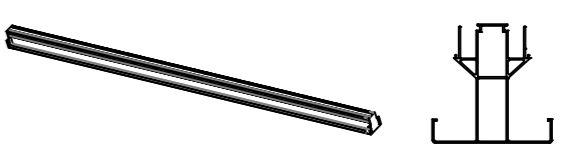
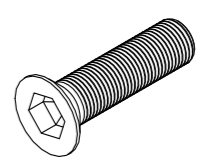
1B-02			1
1B-03			1
1B-18			1

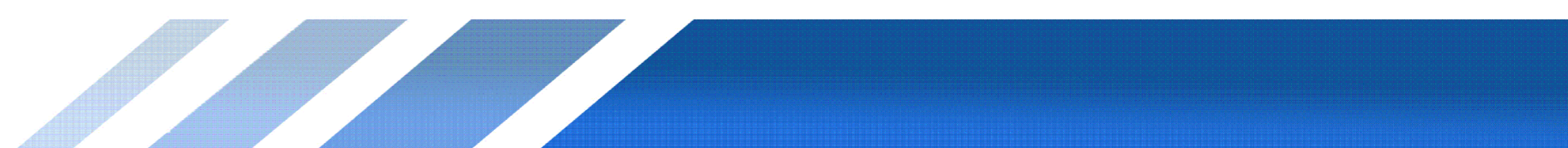


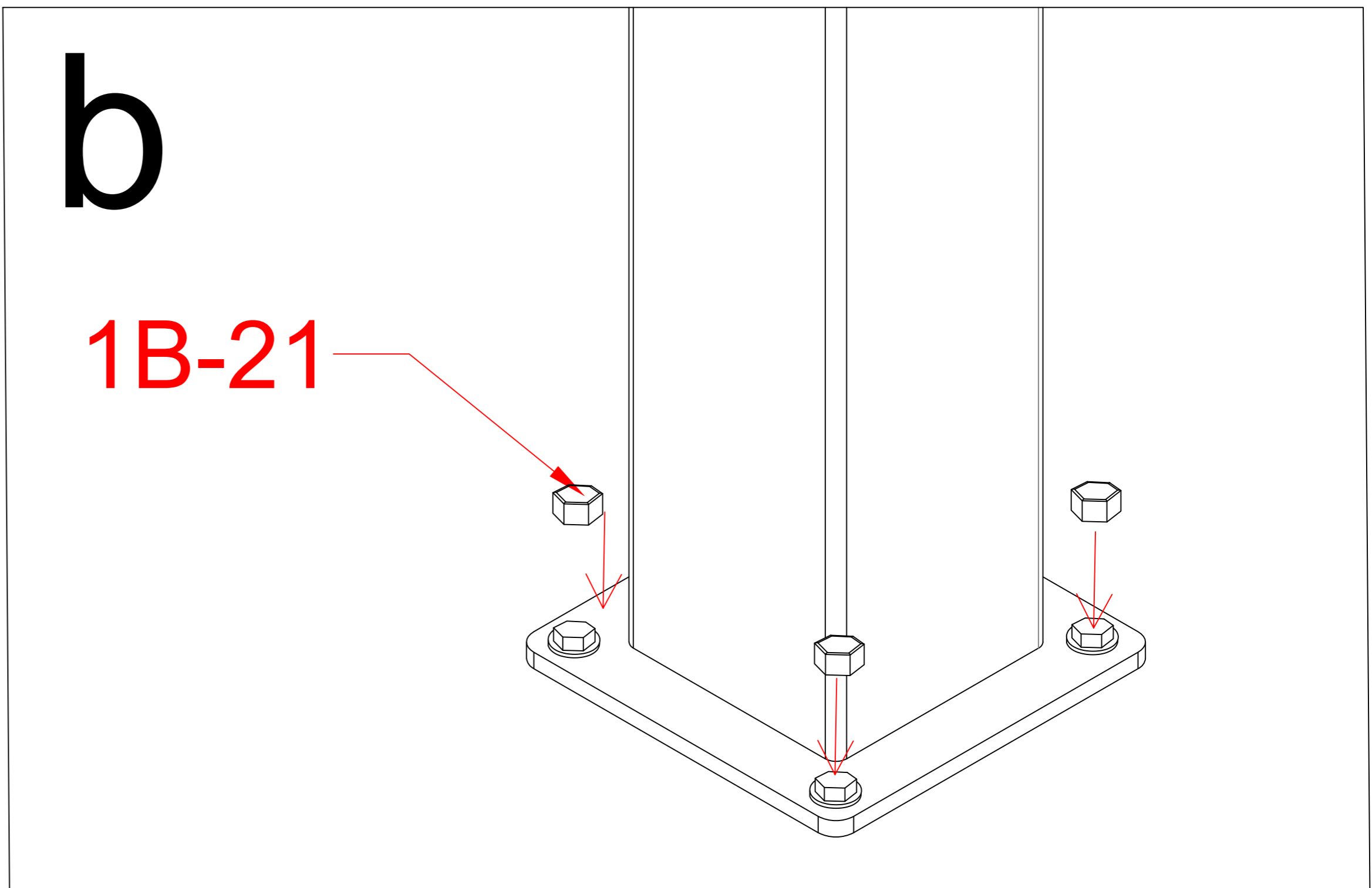
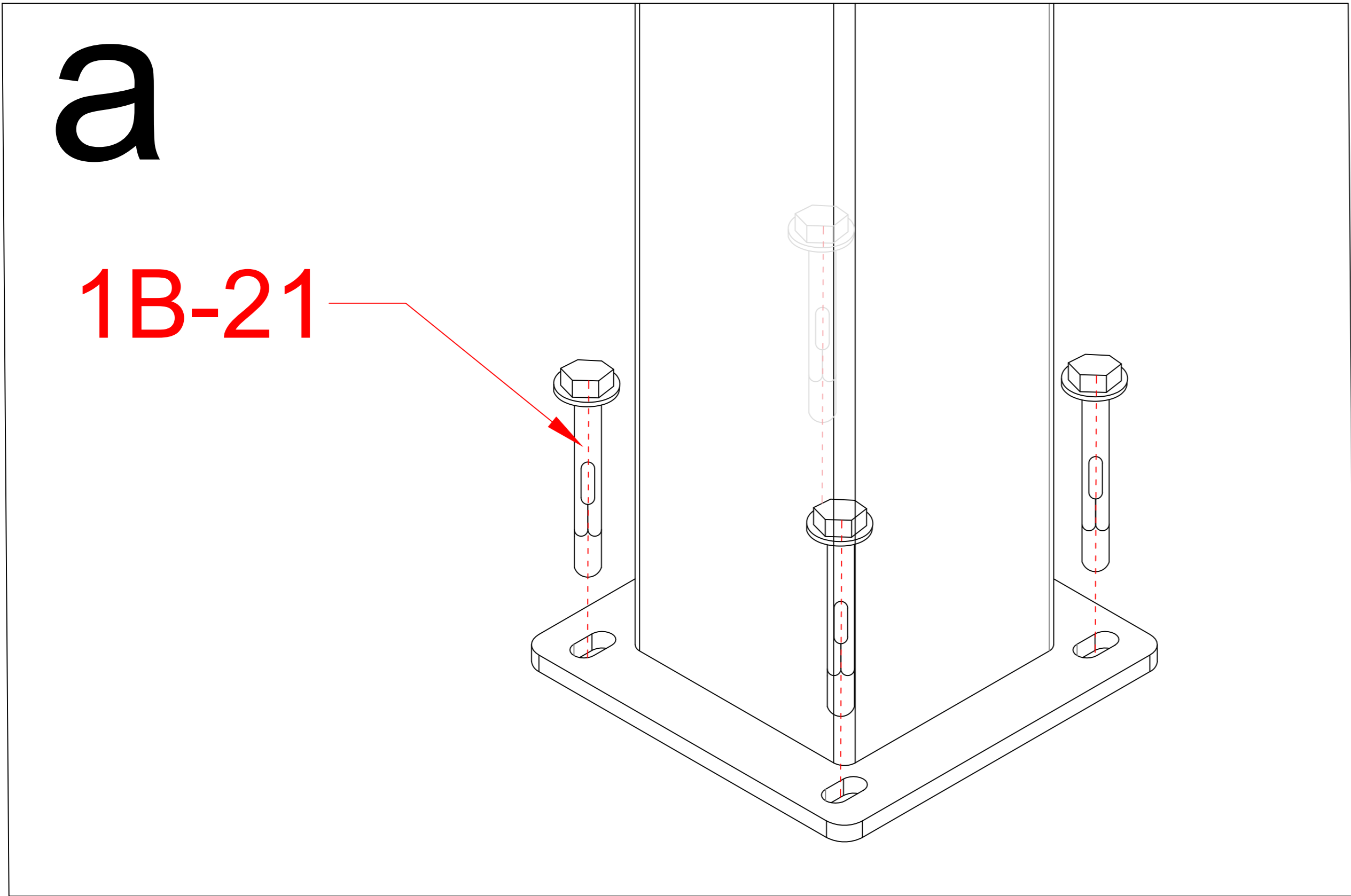


Warning:
The 66mm end of the middle beam is on the same side as the manual operation nose

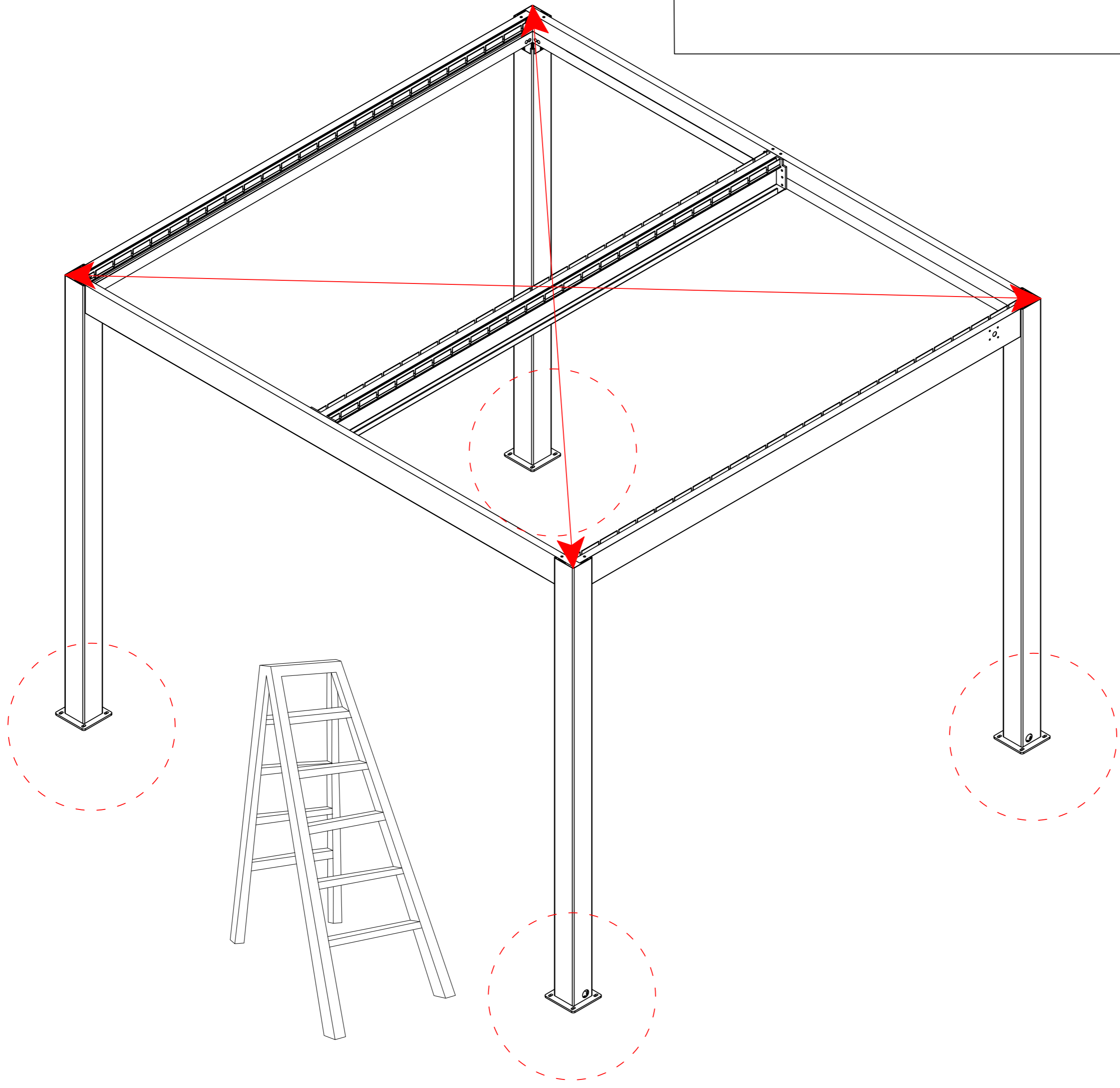


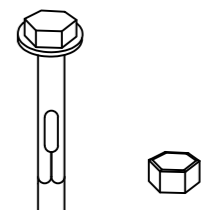
1B-28		1
1B-25	 M8*30	12

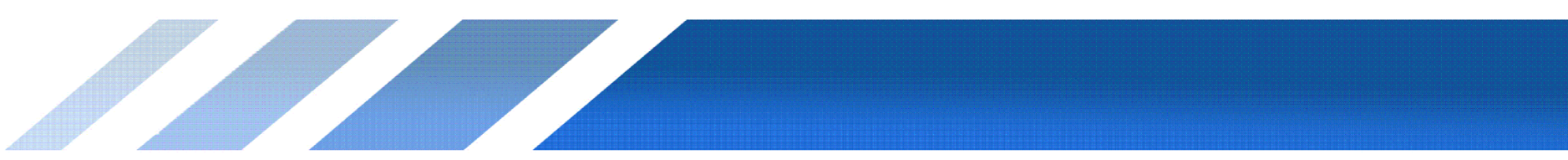


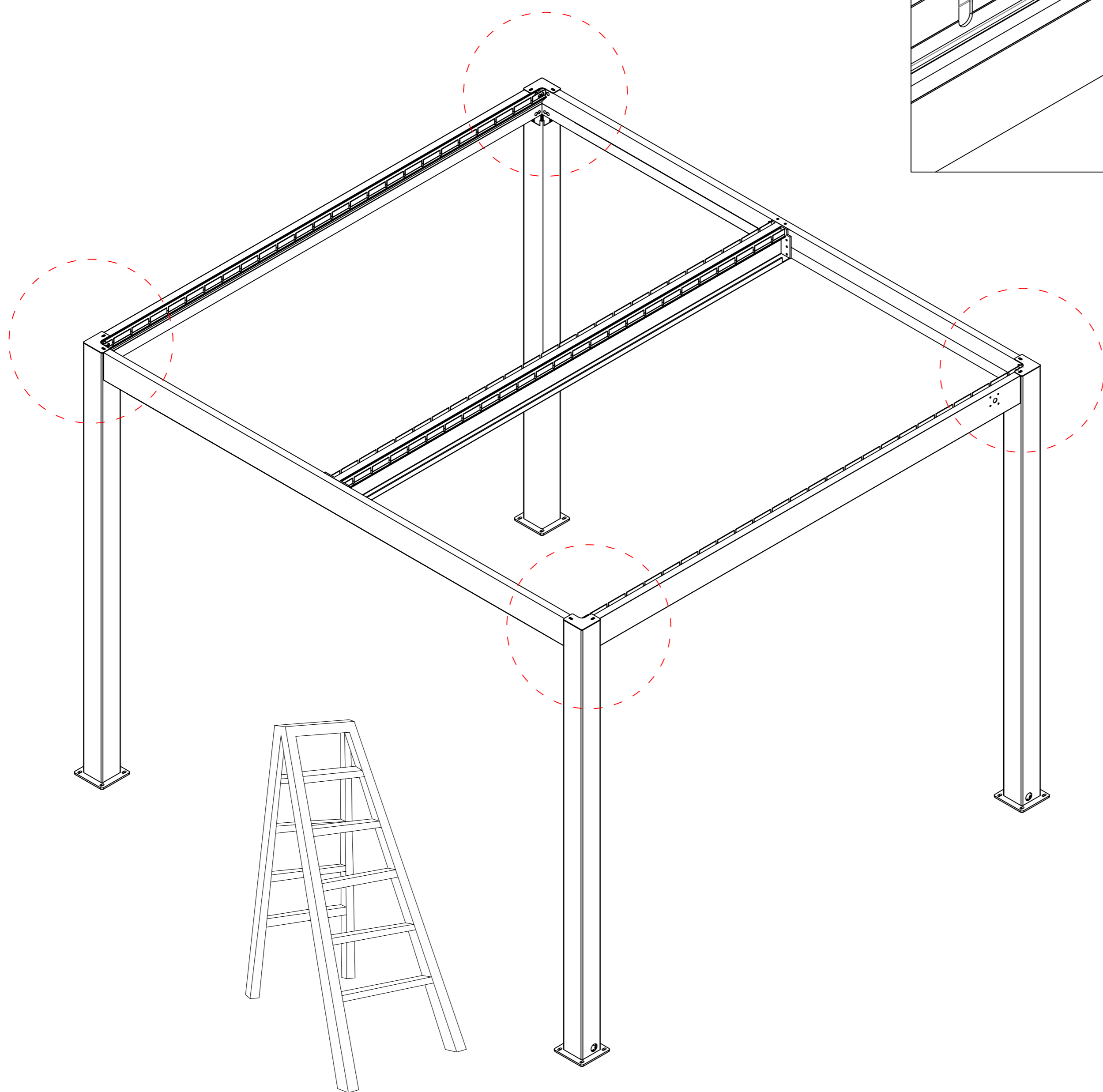
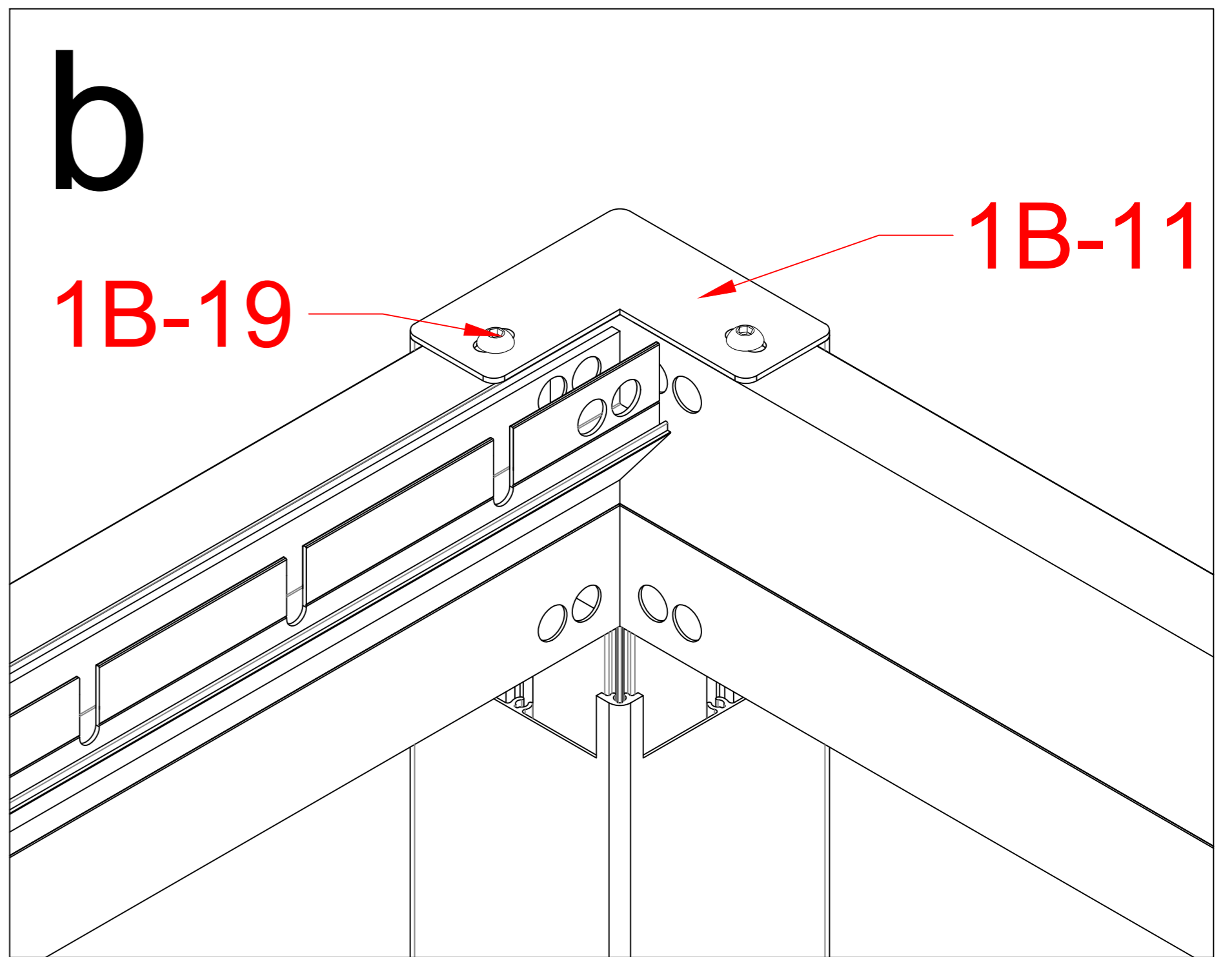
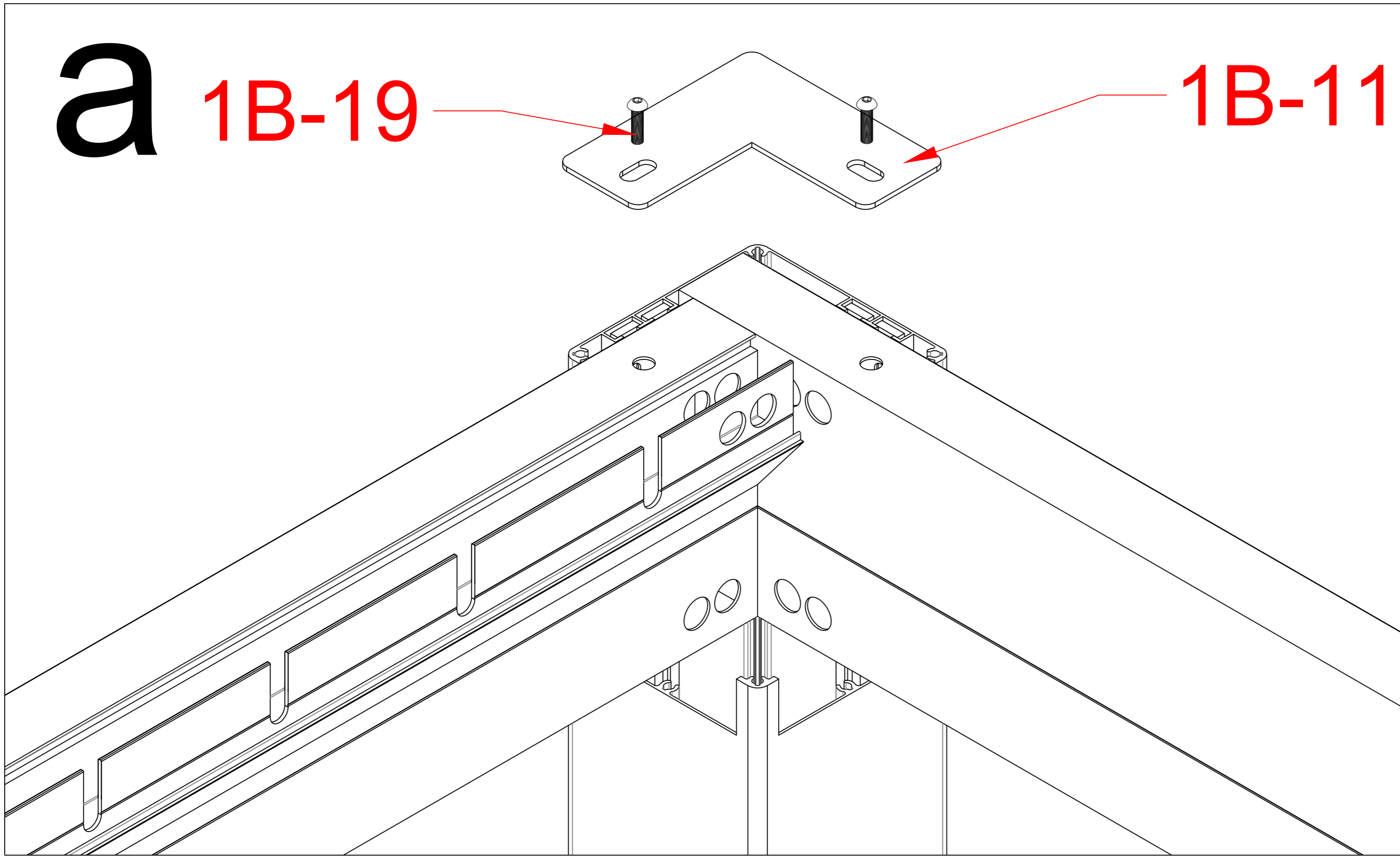


Pls measure the diagonal size and make sure the diagonal size keeps same before screw 1B-21 mounted. If not, pls adjust it to same size.

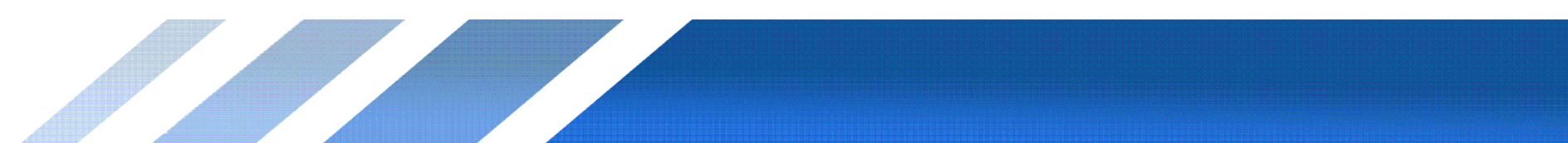


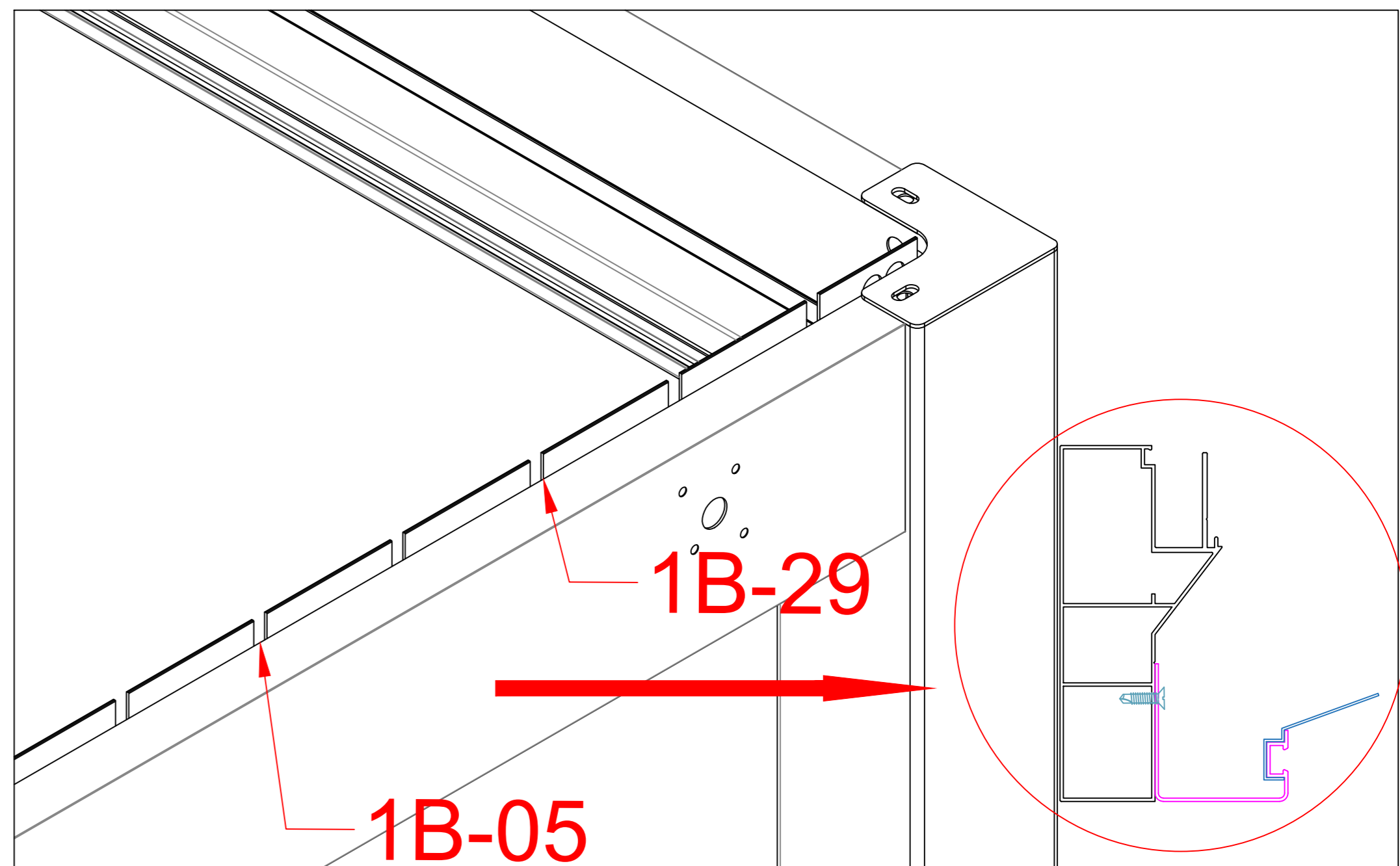
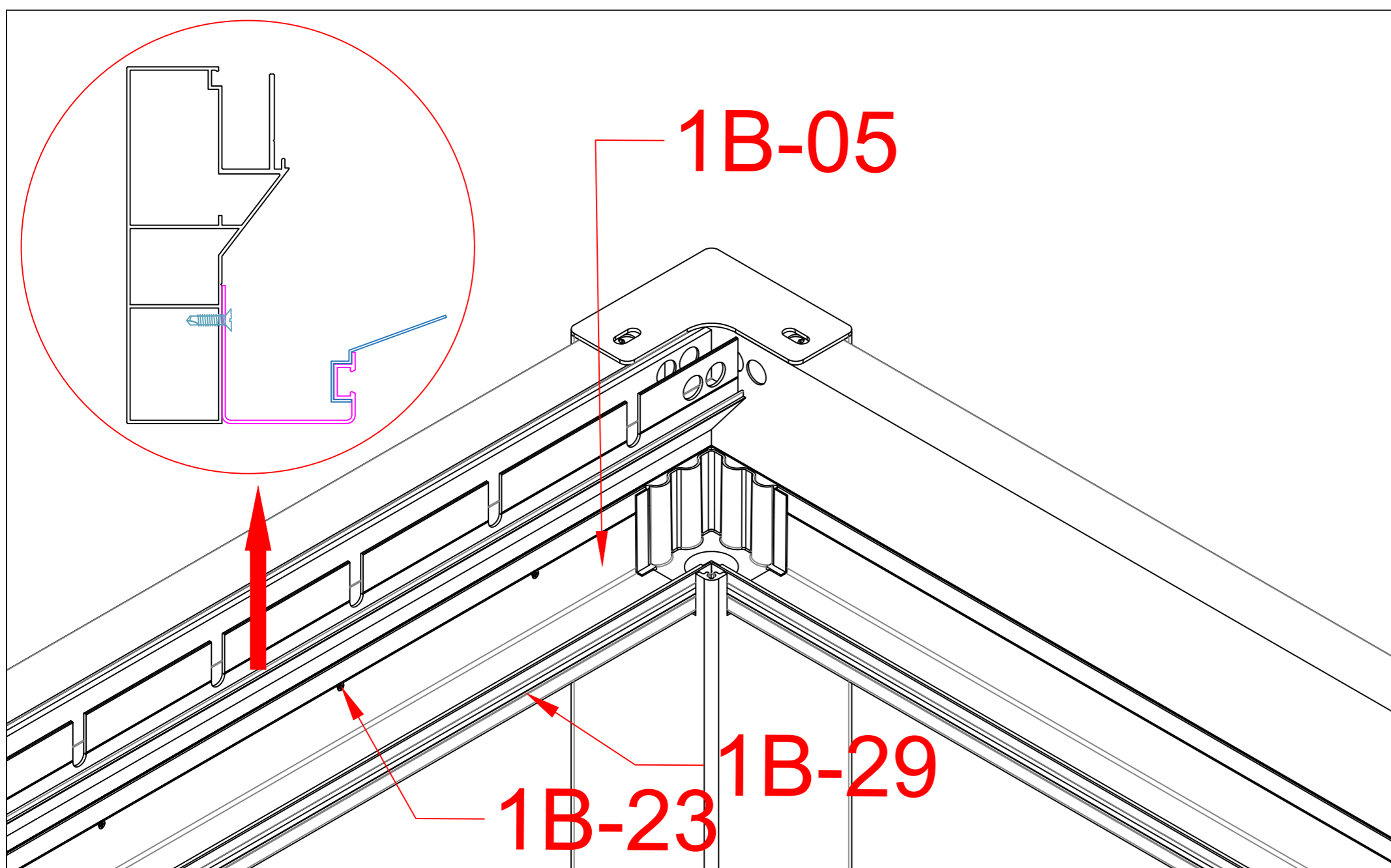
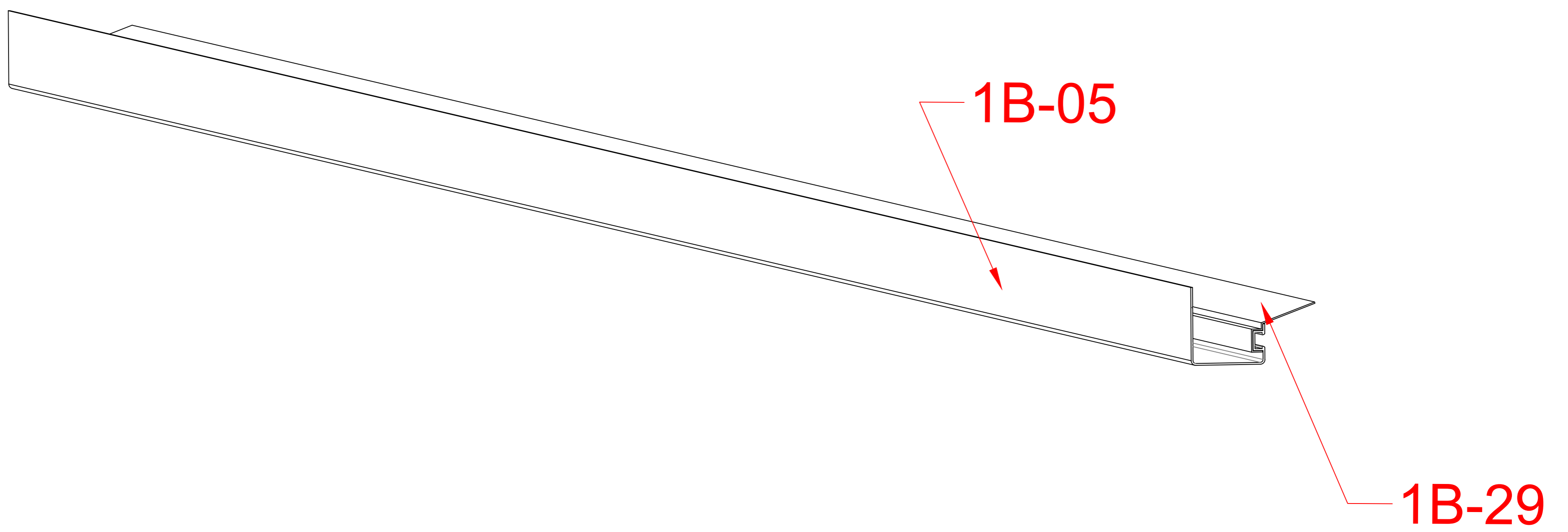
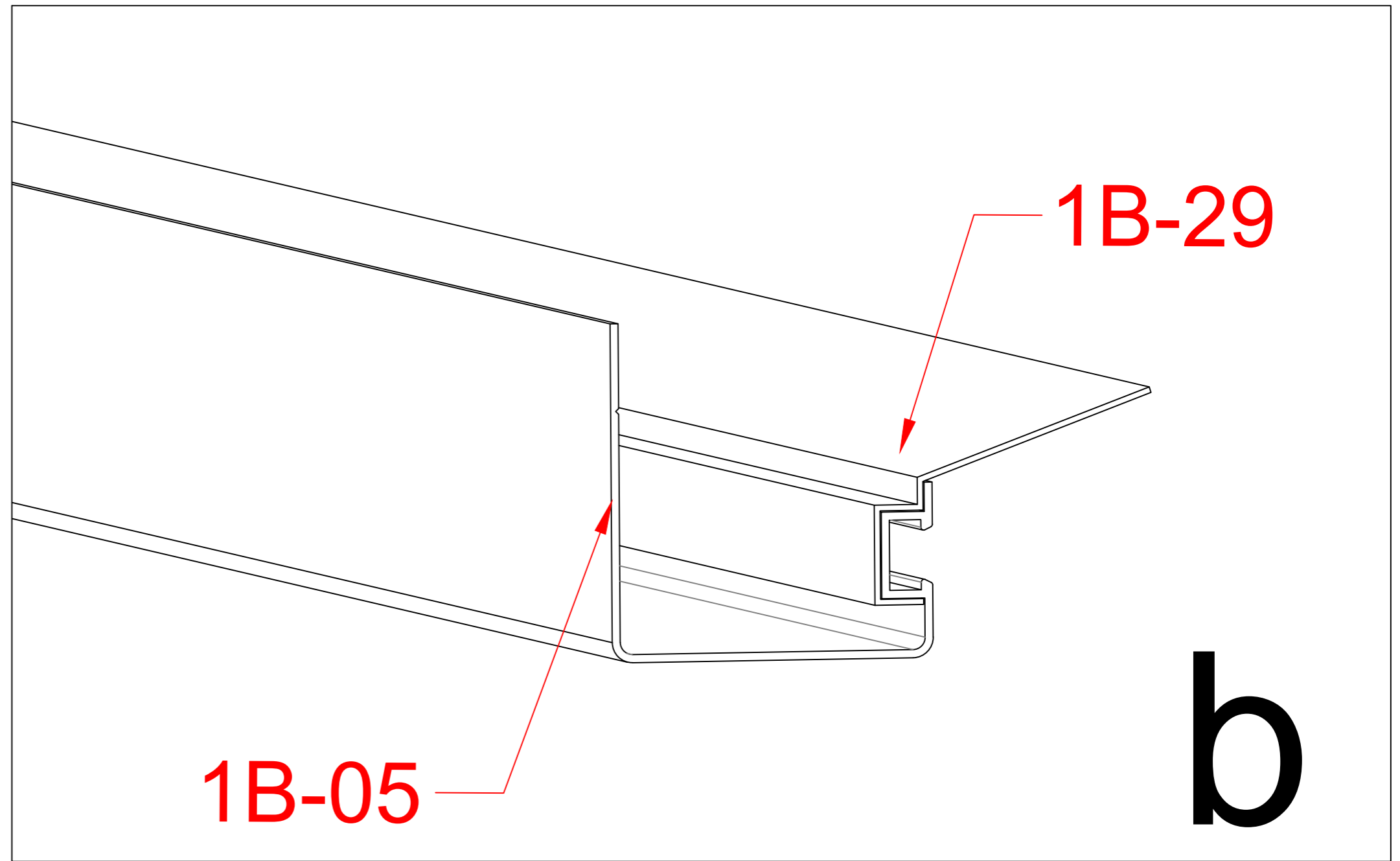
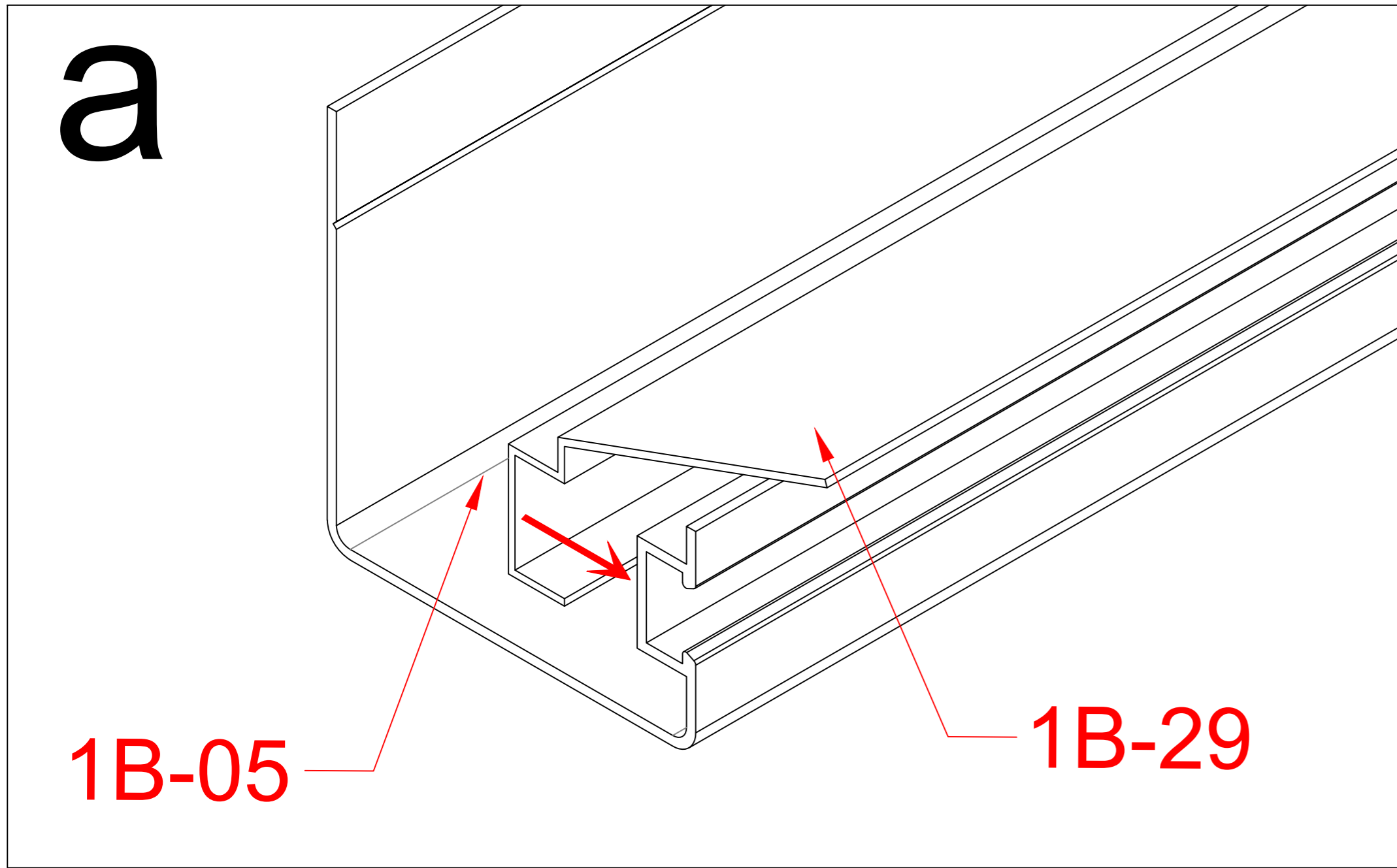
1B-21		16
-------	---	----

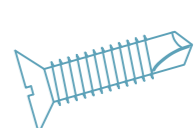
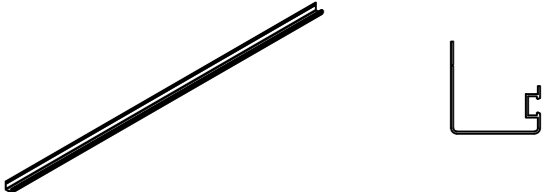



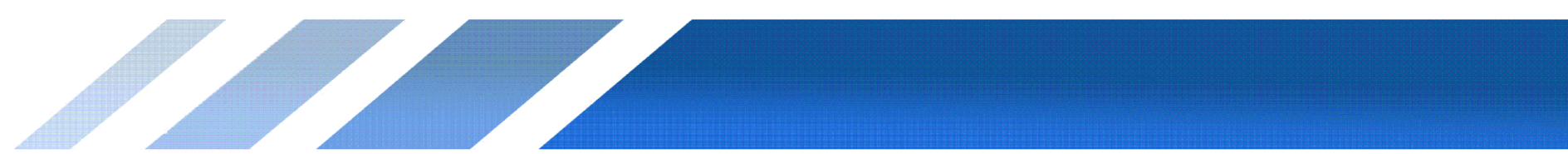


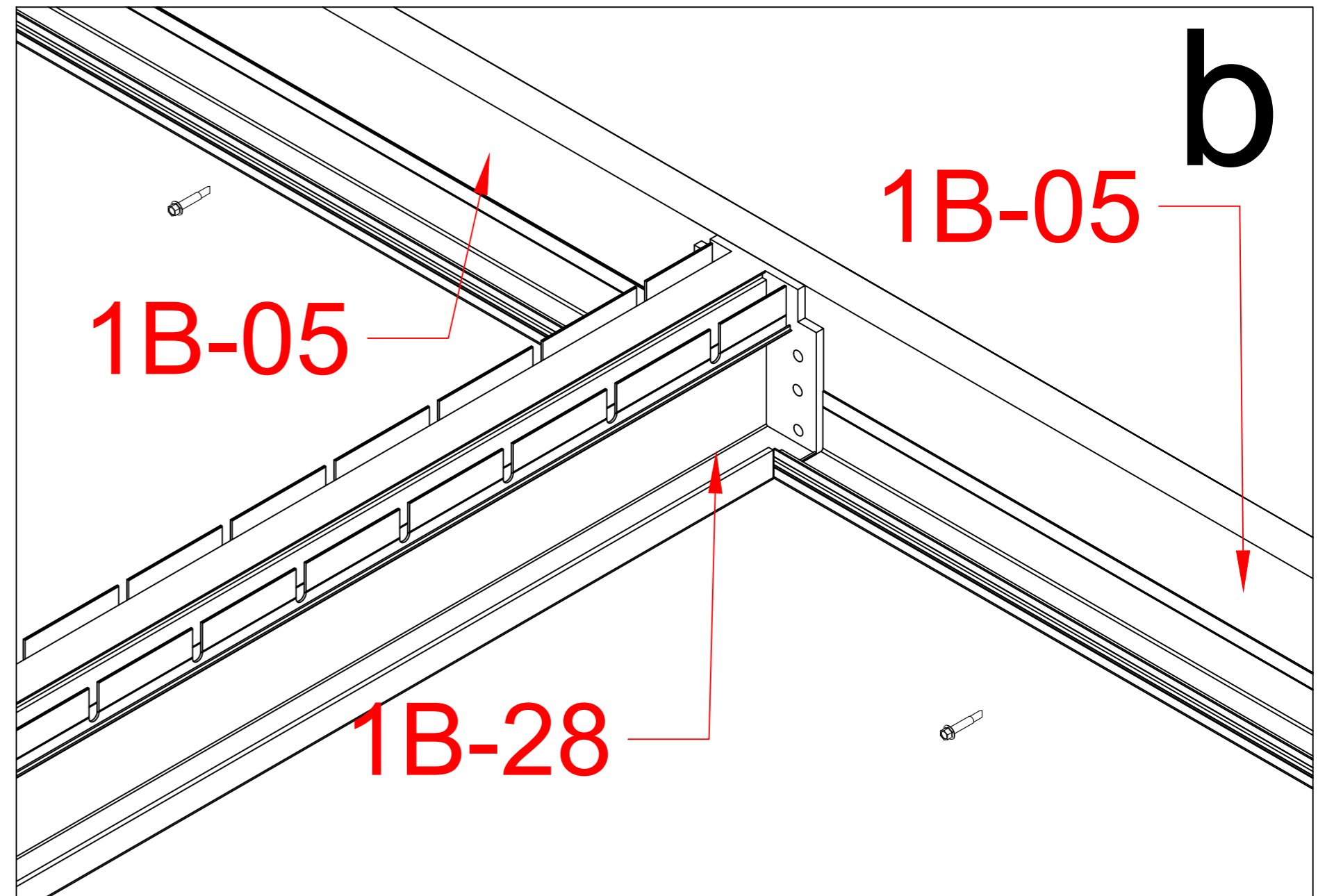
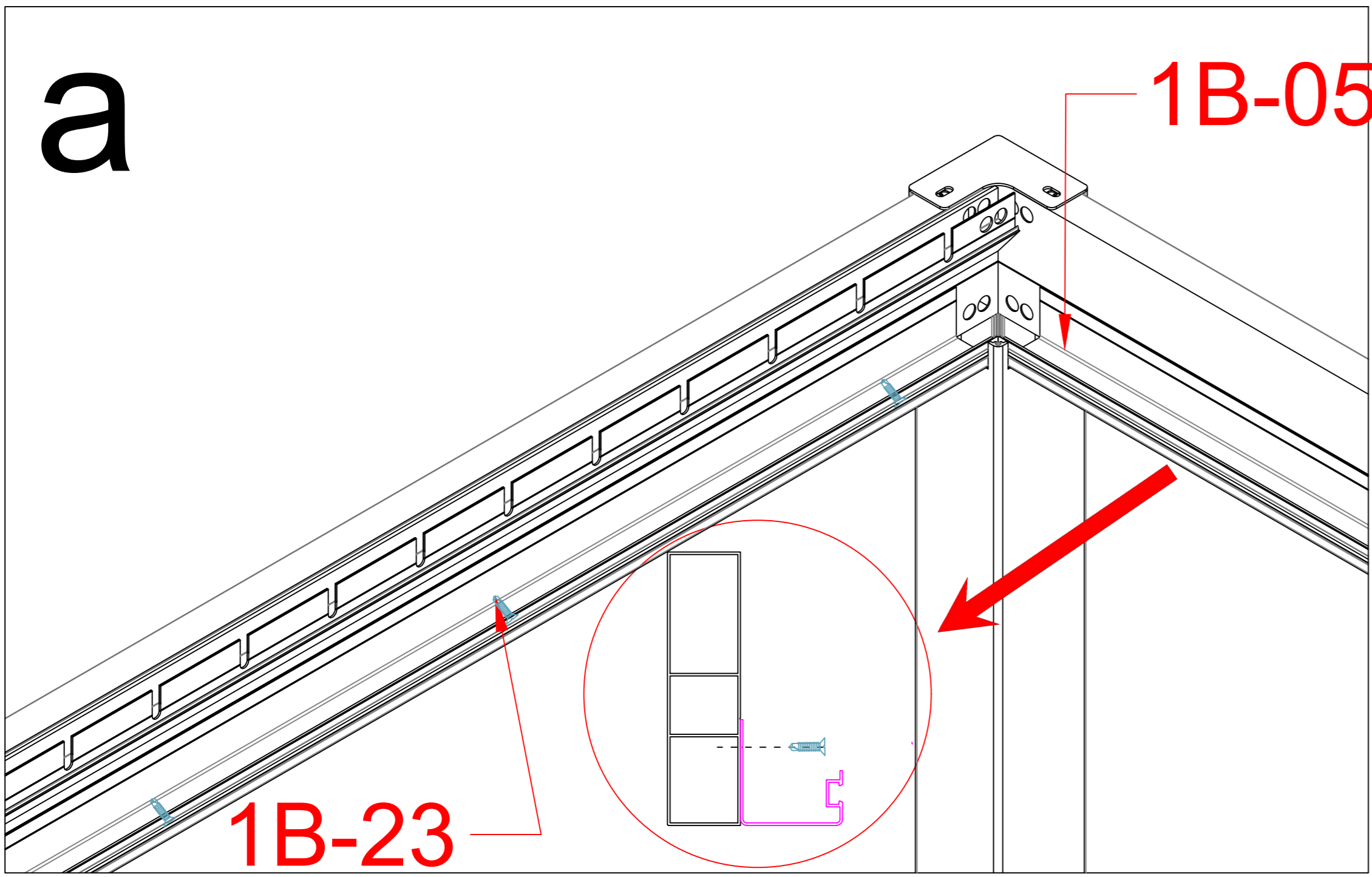
1B-11		4
1B-19		8



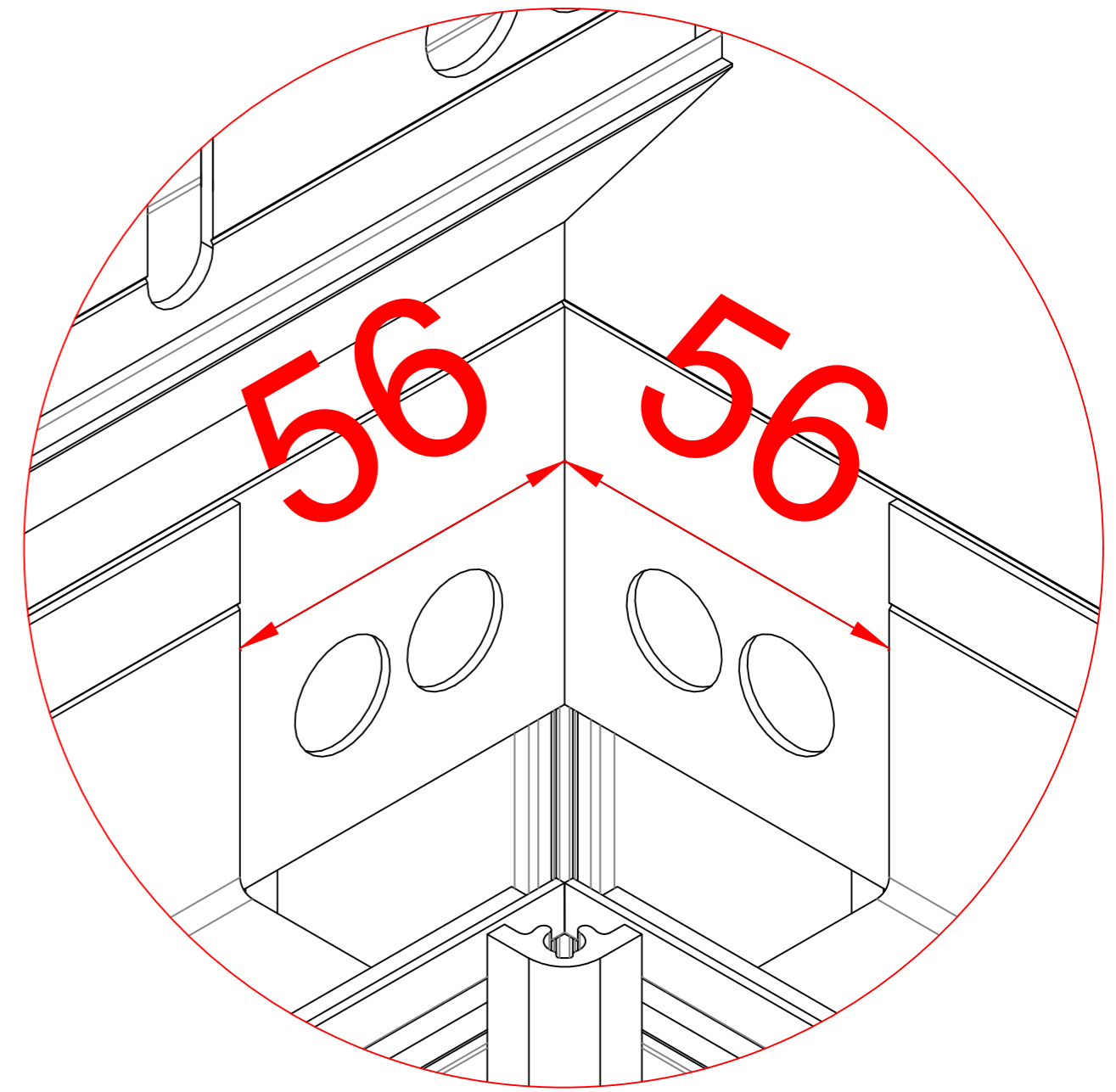
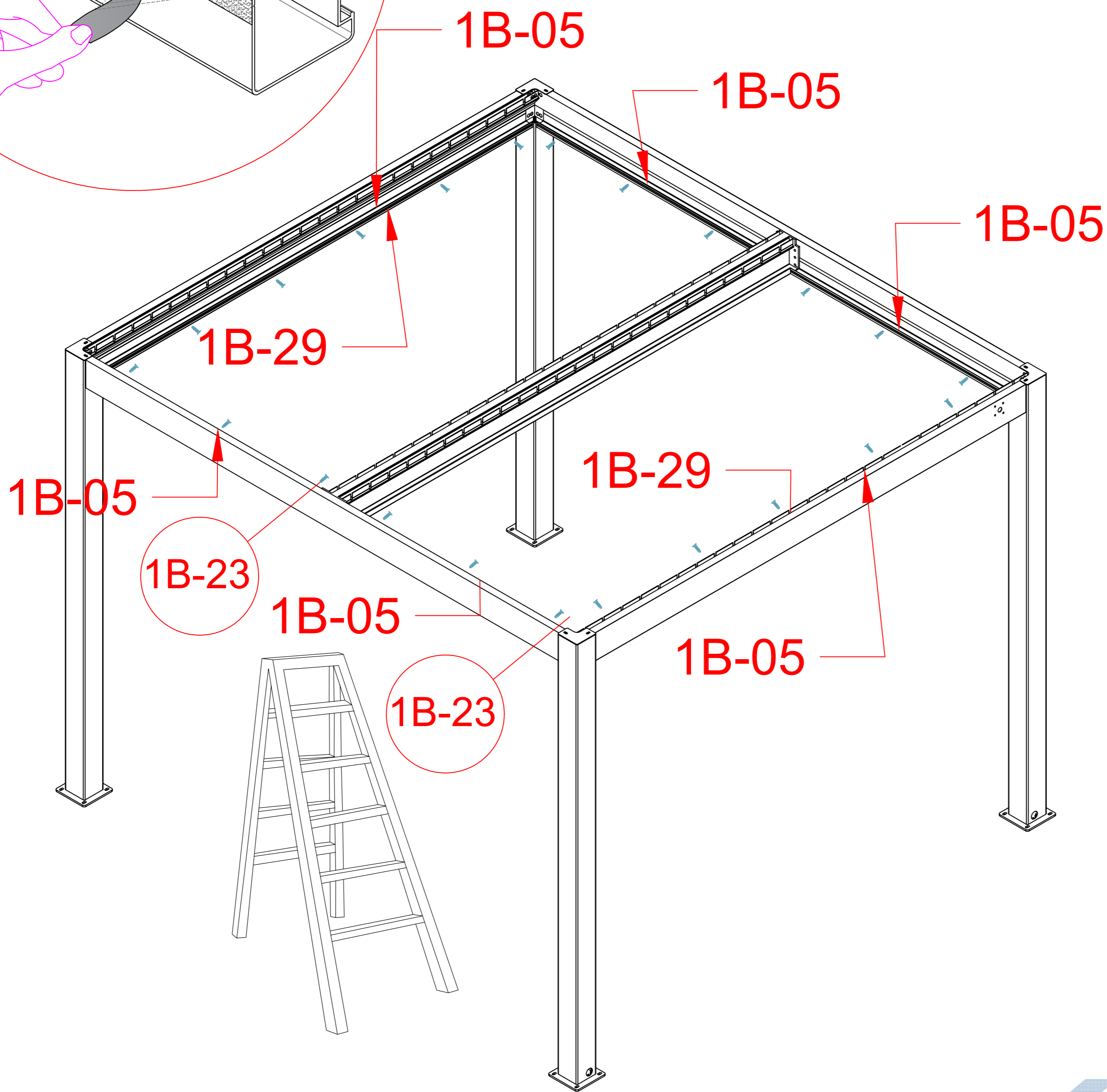
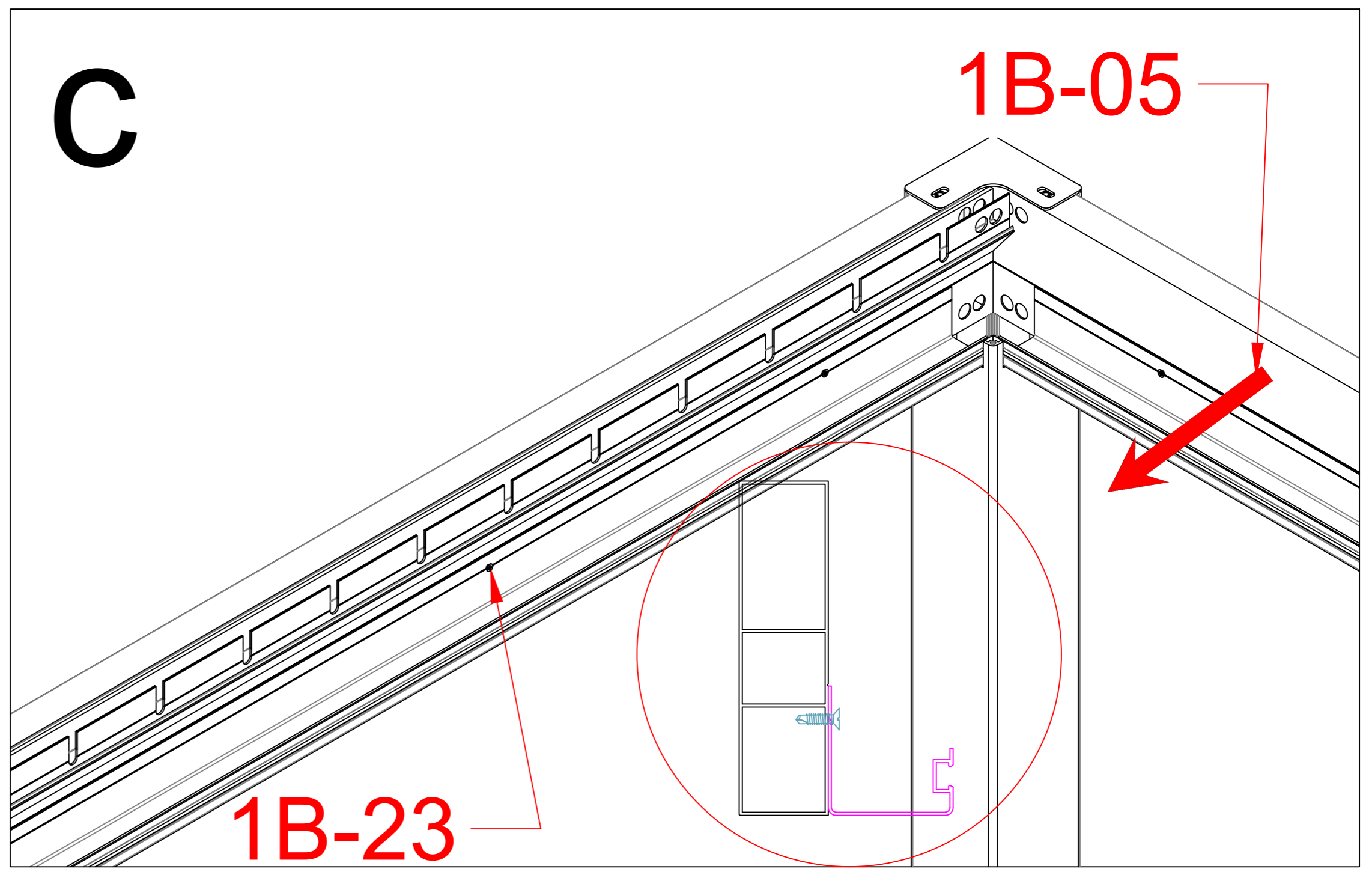
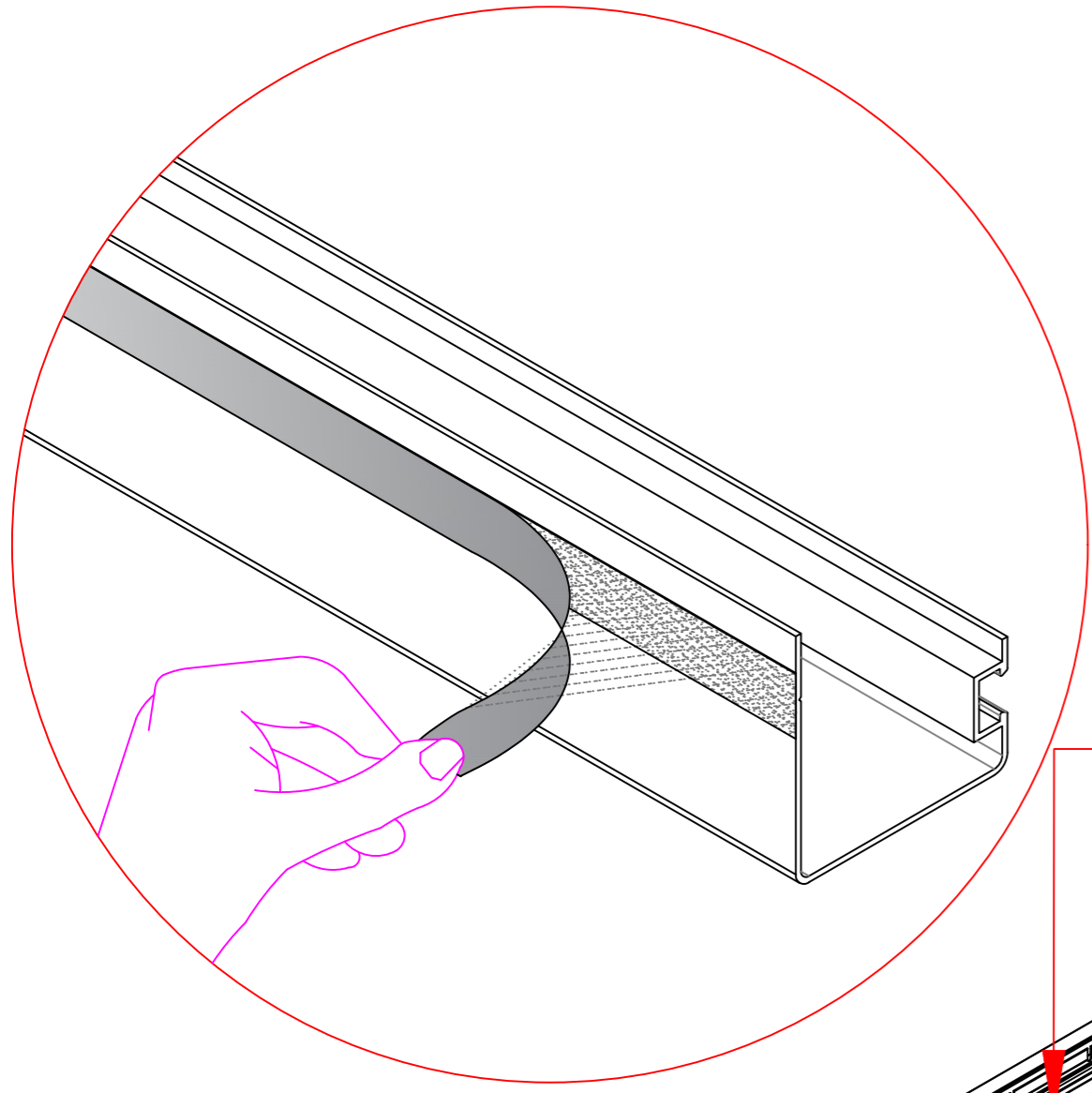


1B-23		10
1B-05		2
1B-29		2

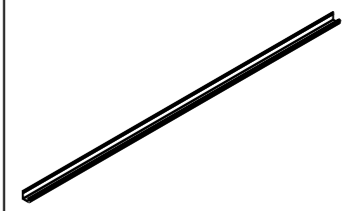


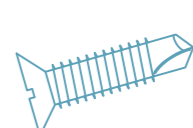


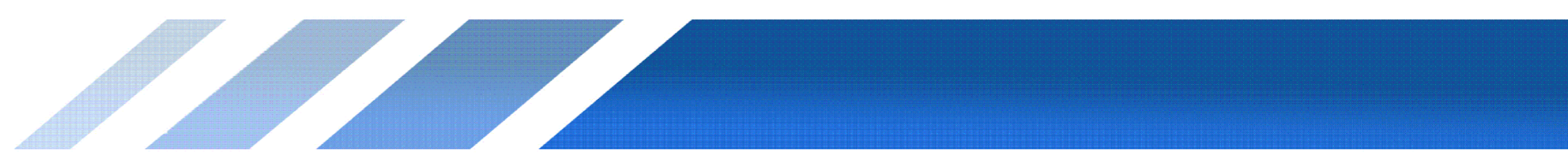
Warning:
Before installation, tear off the protective film of the tape on the back side of Gutter.



4*4m-22	5screws/4m side
---------	-----------------

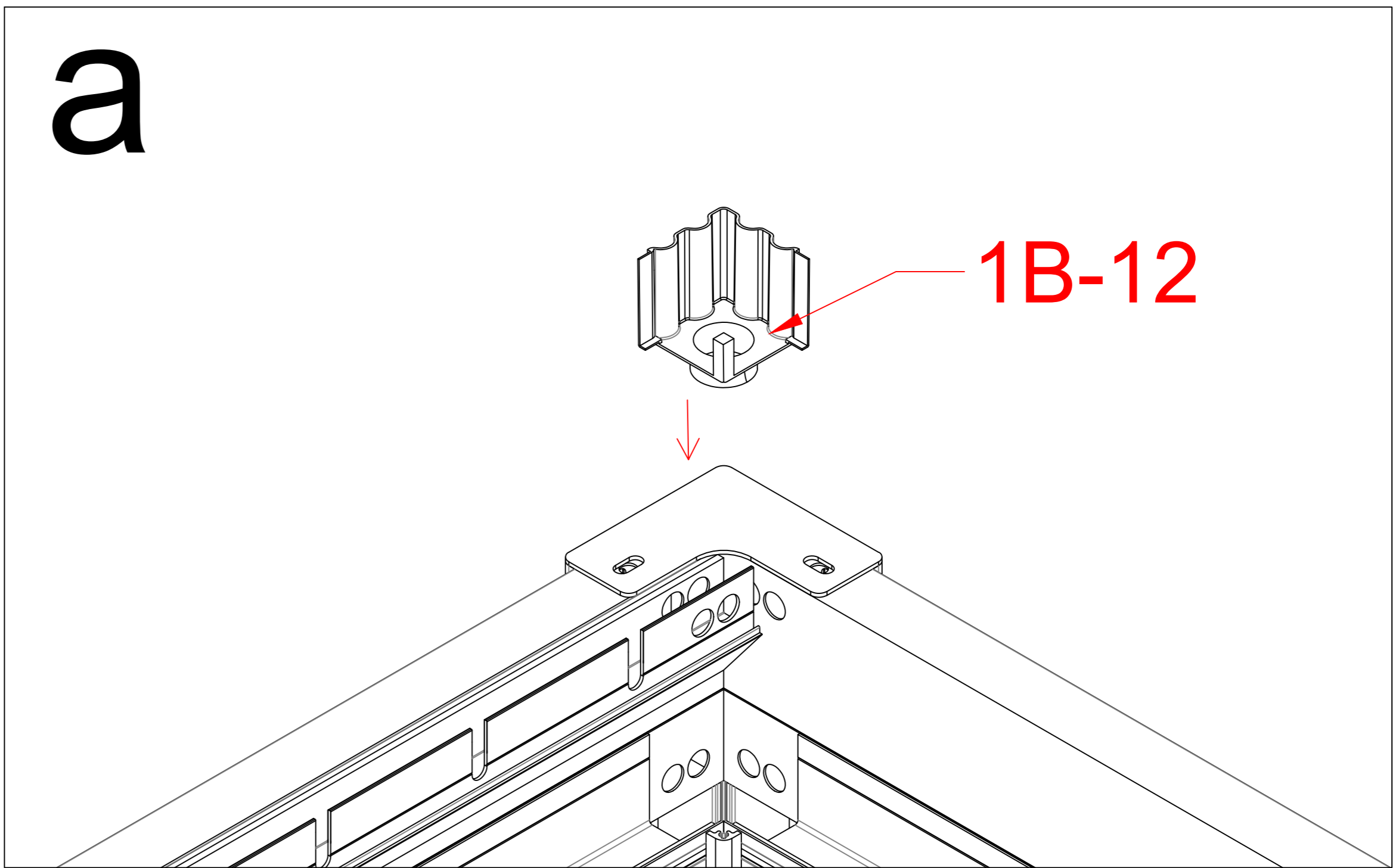
1B-05		4
-------	---	---

1B-23		12
-------	---	----

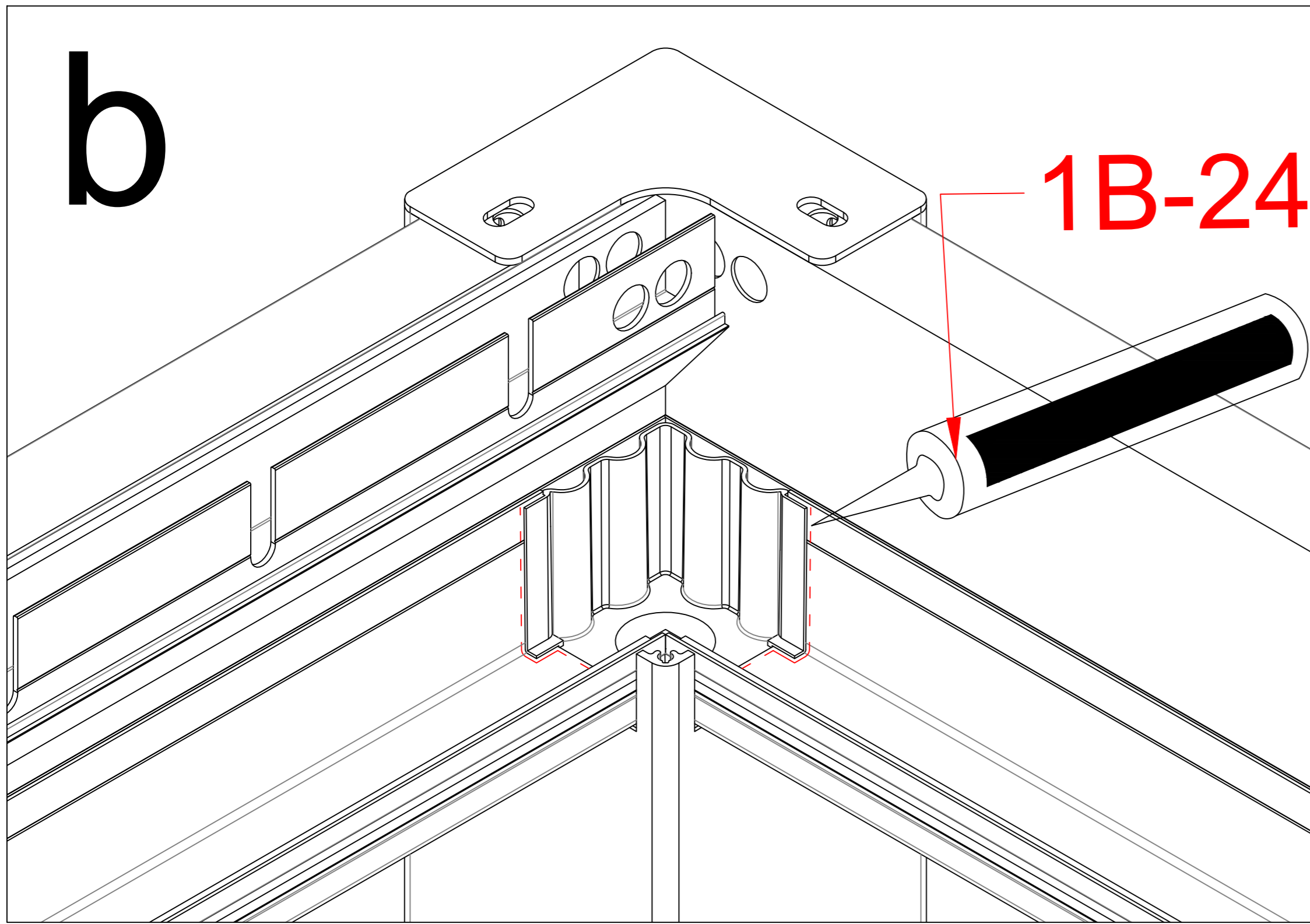




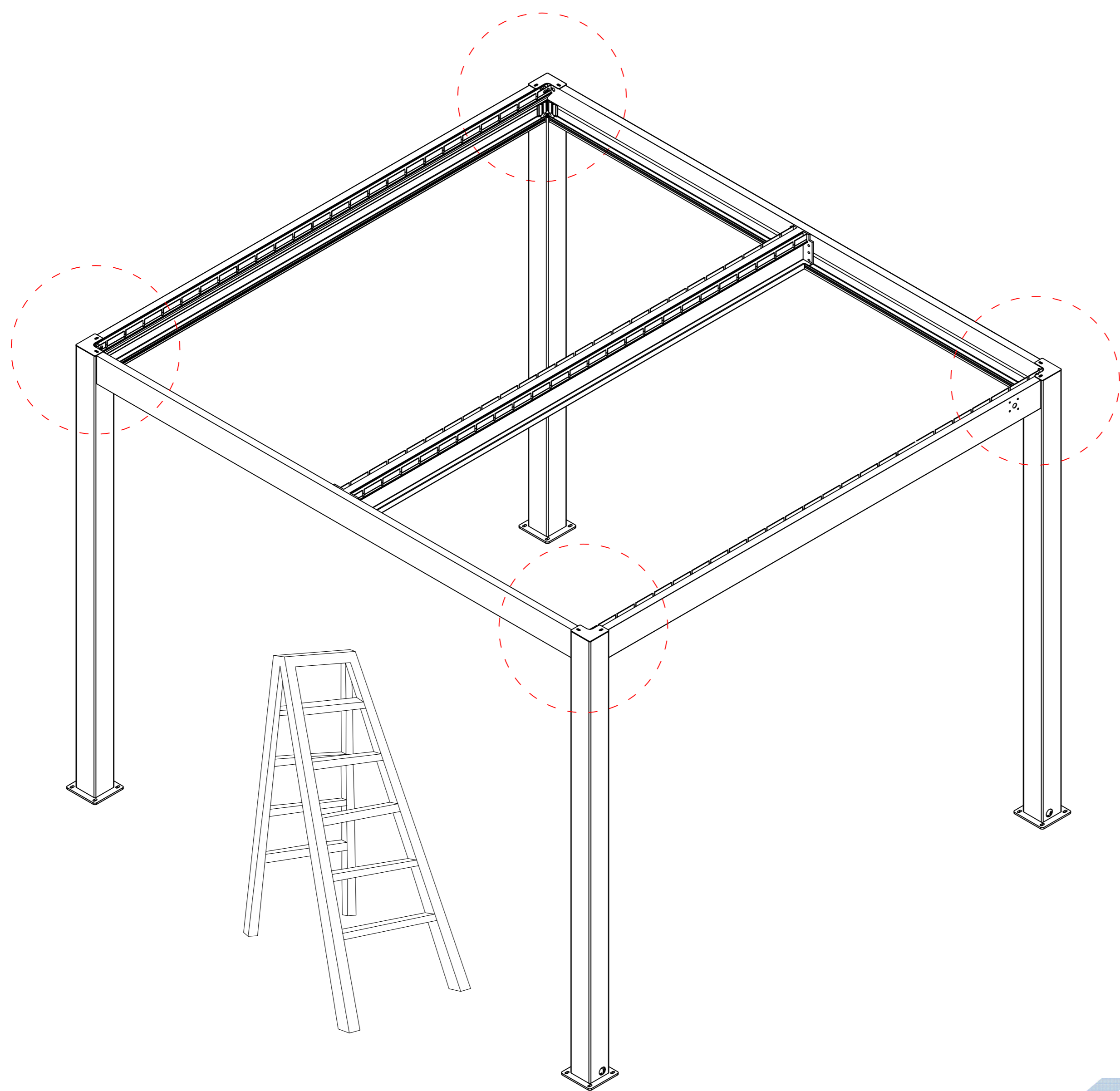
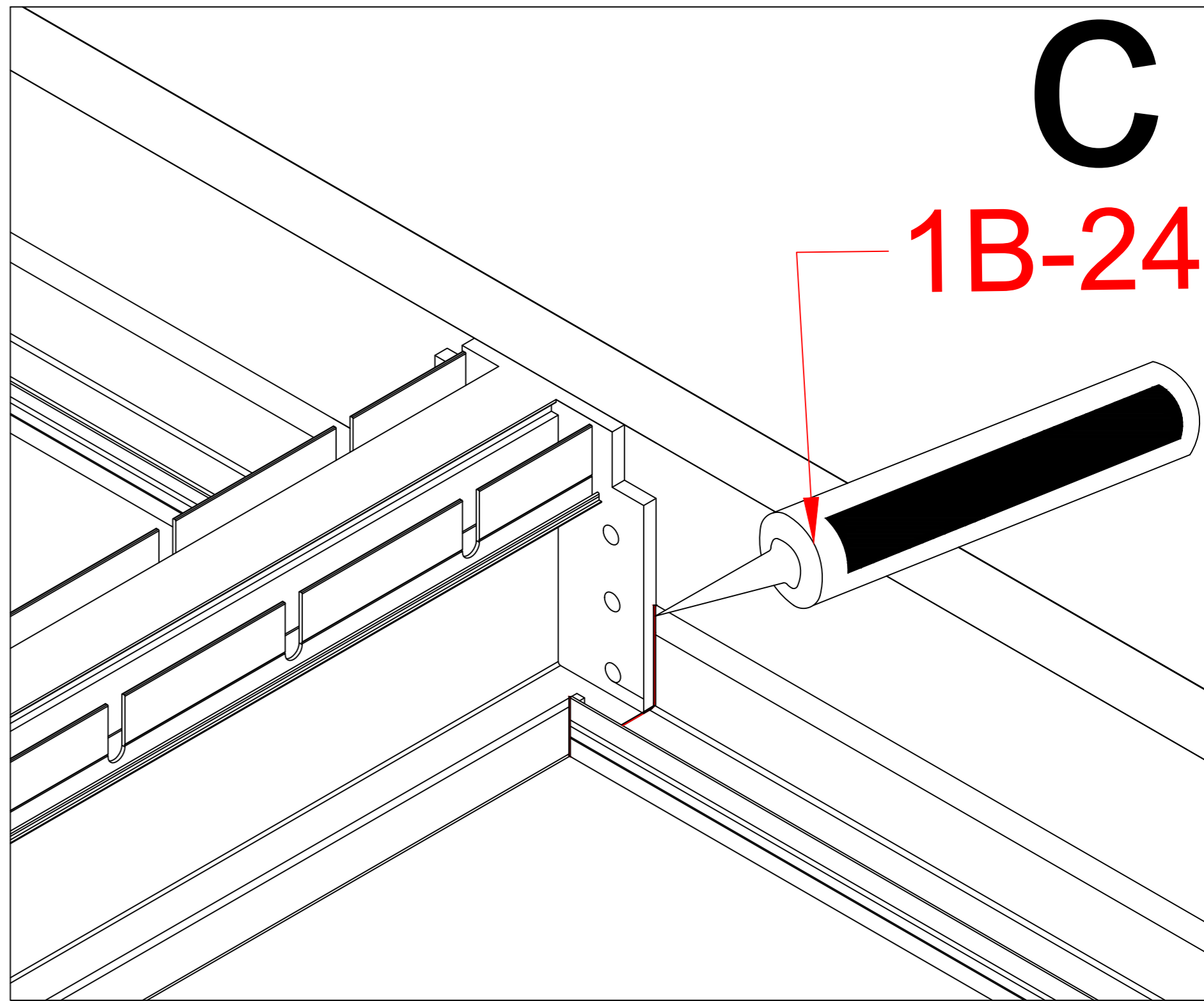
a



b

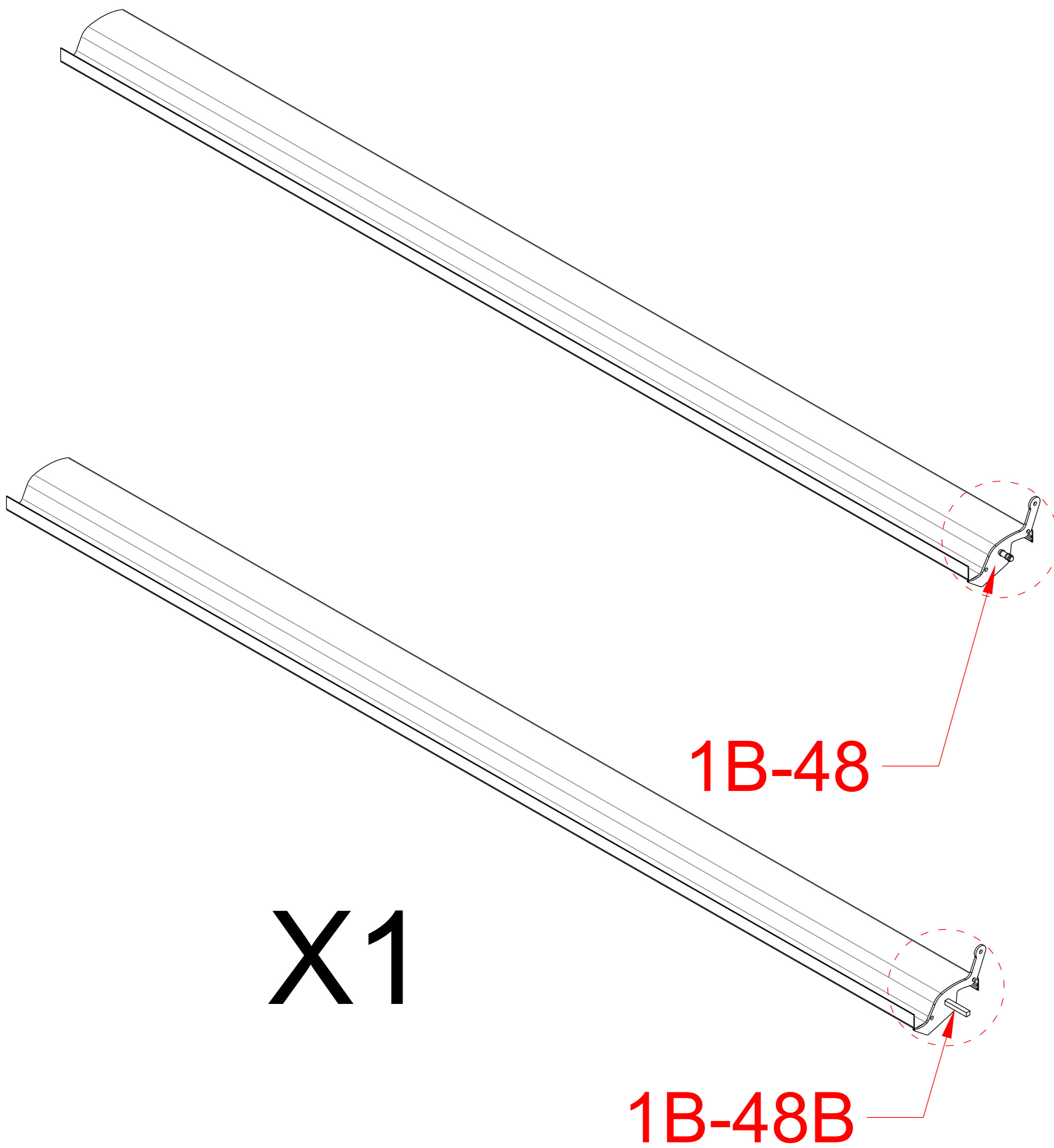
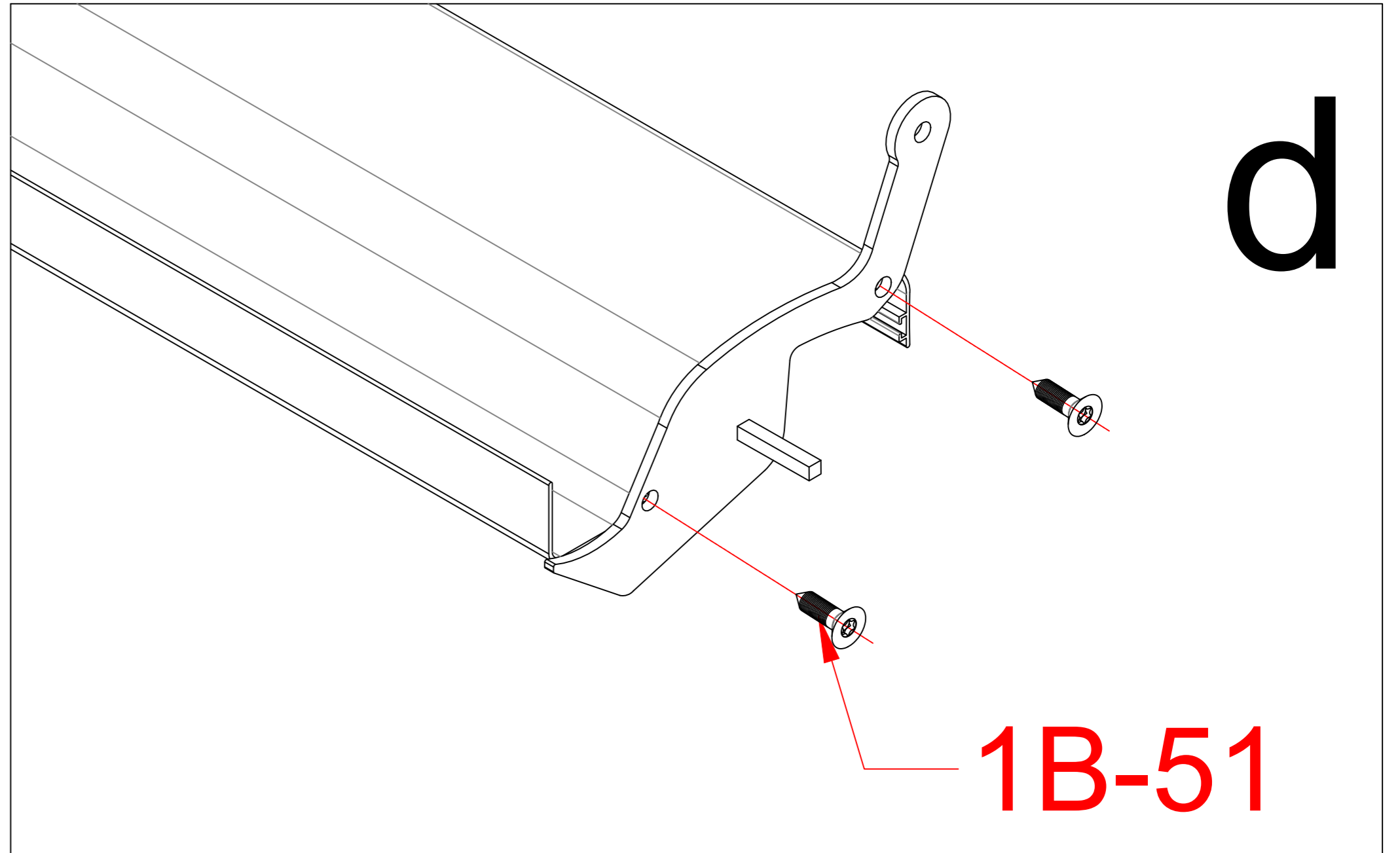
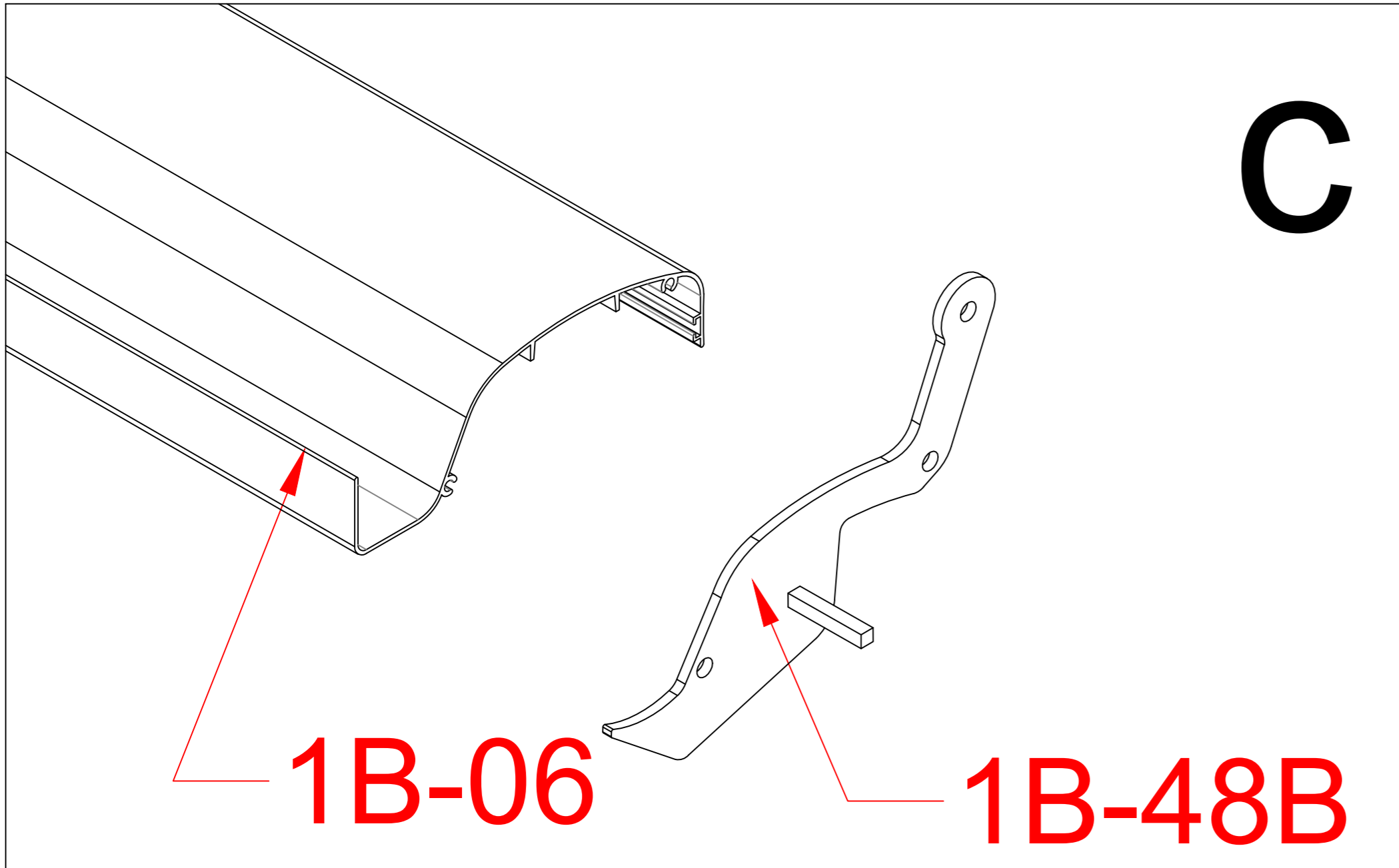
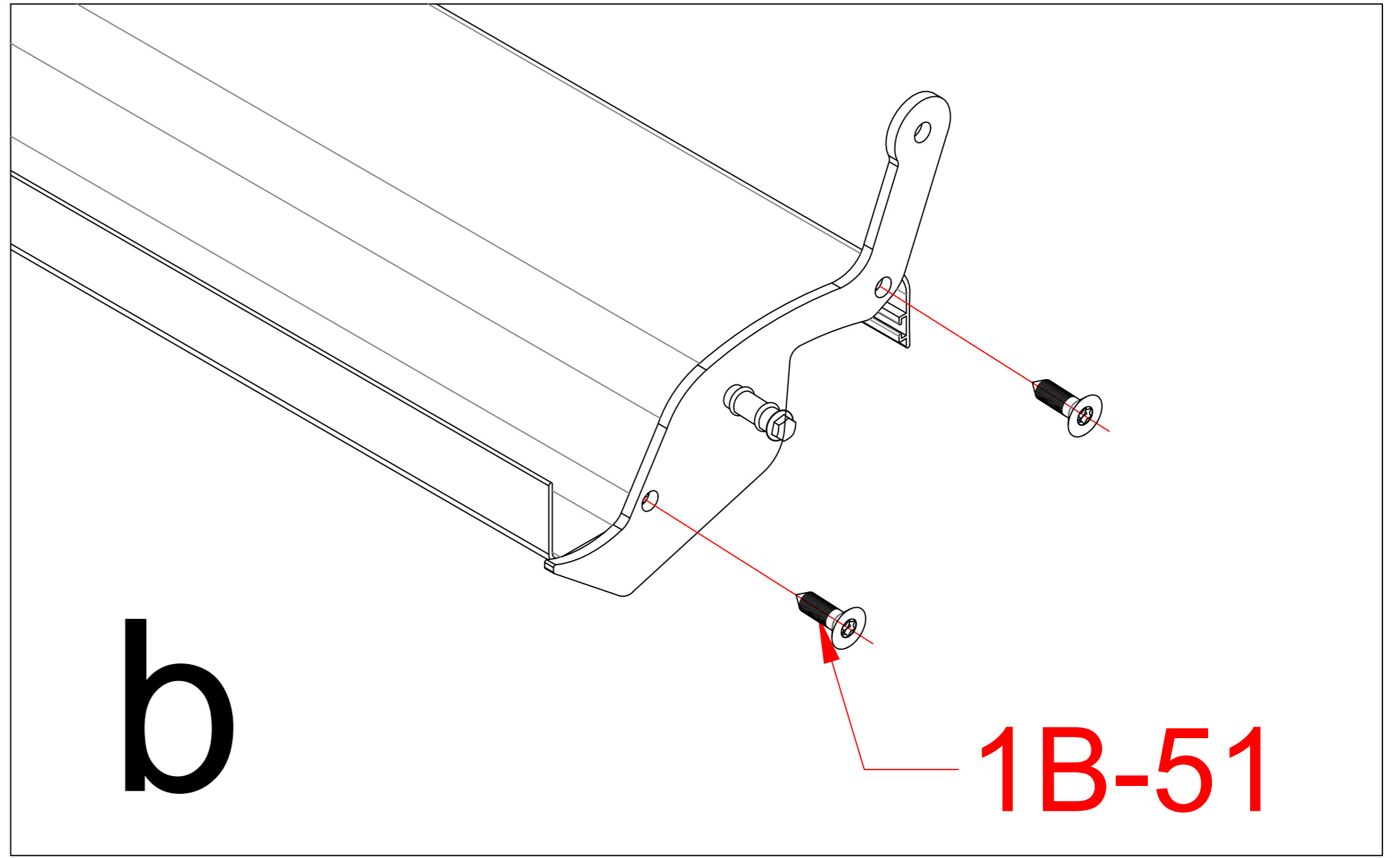
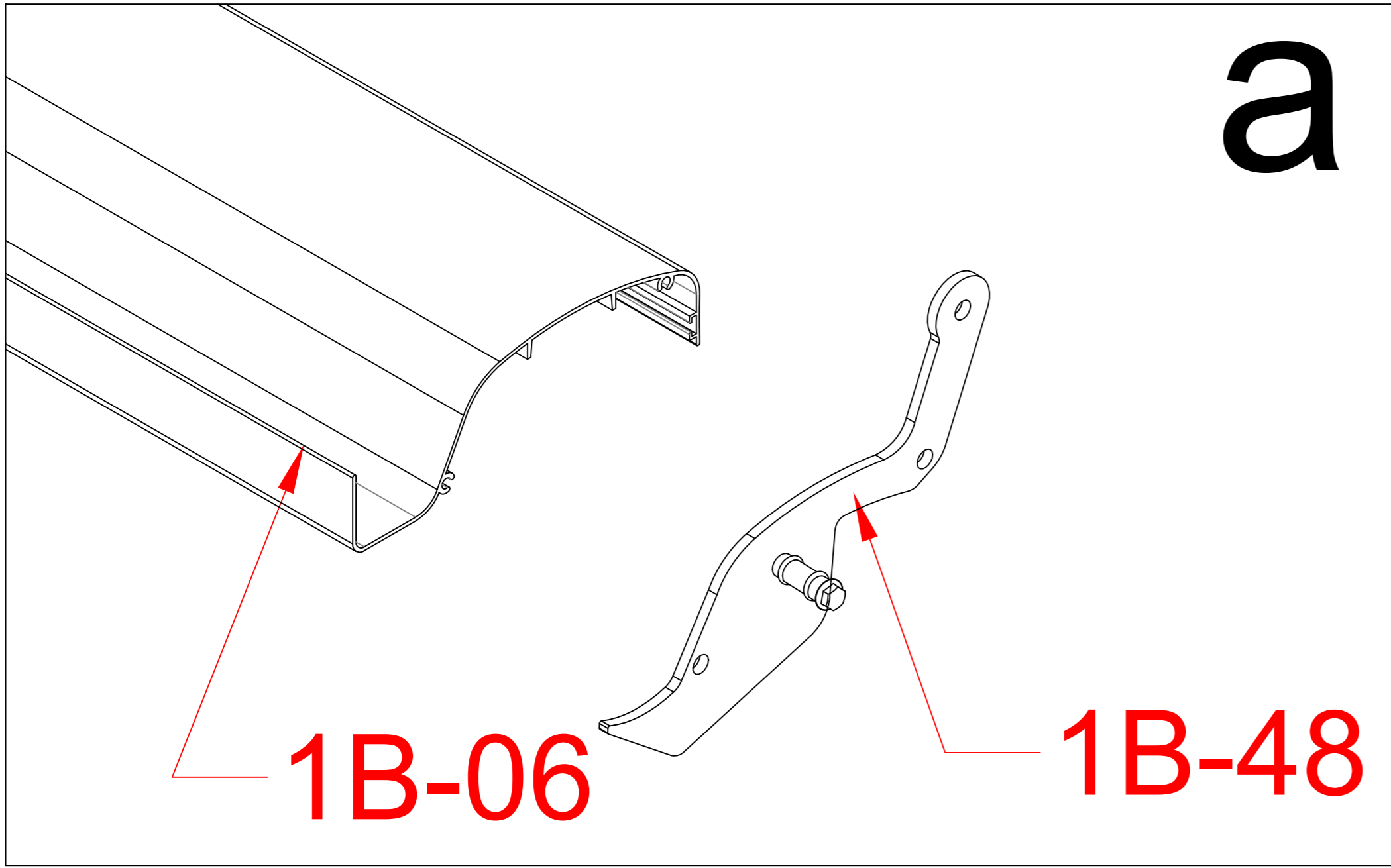


c



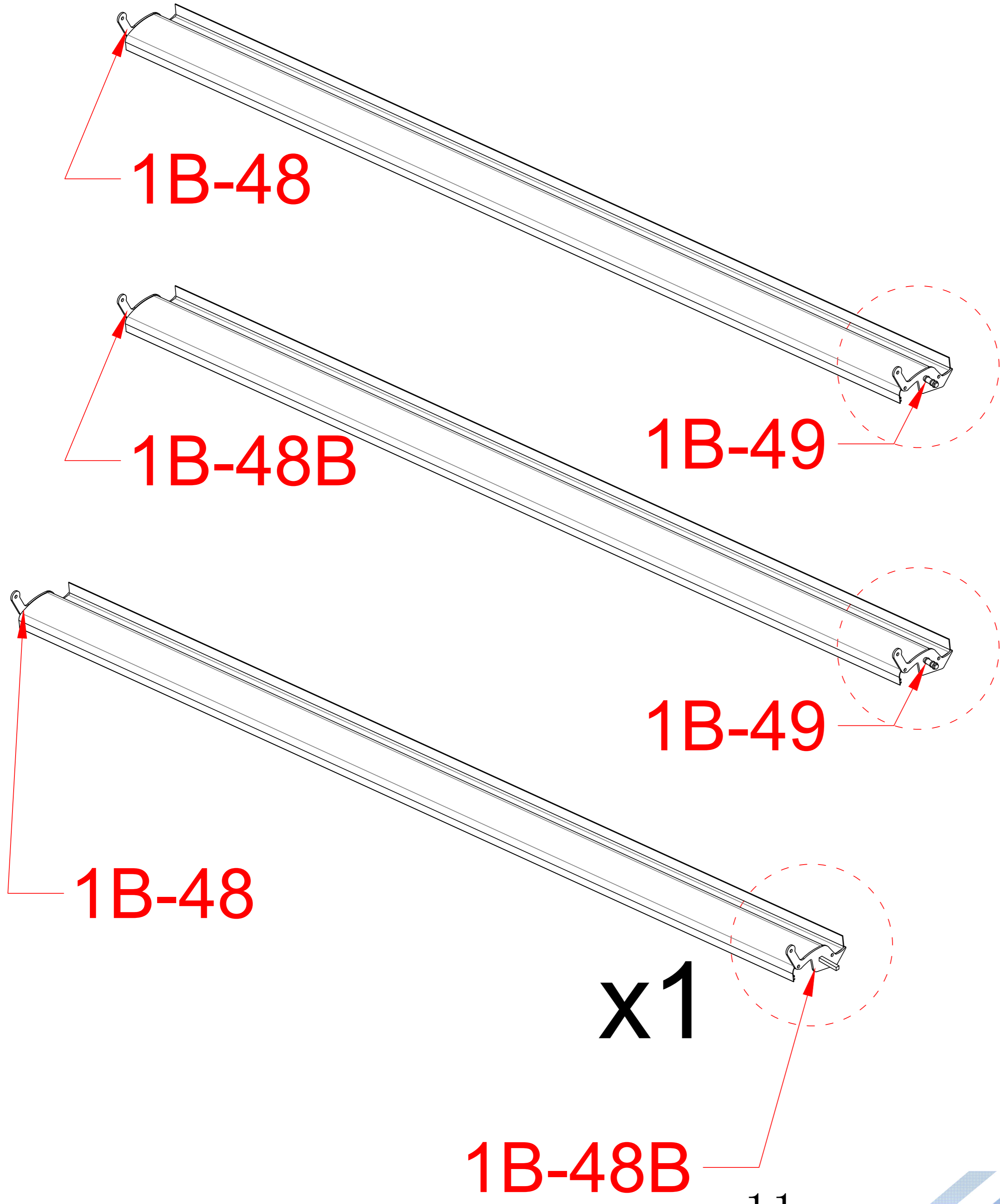
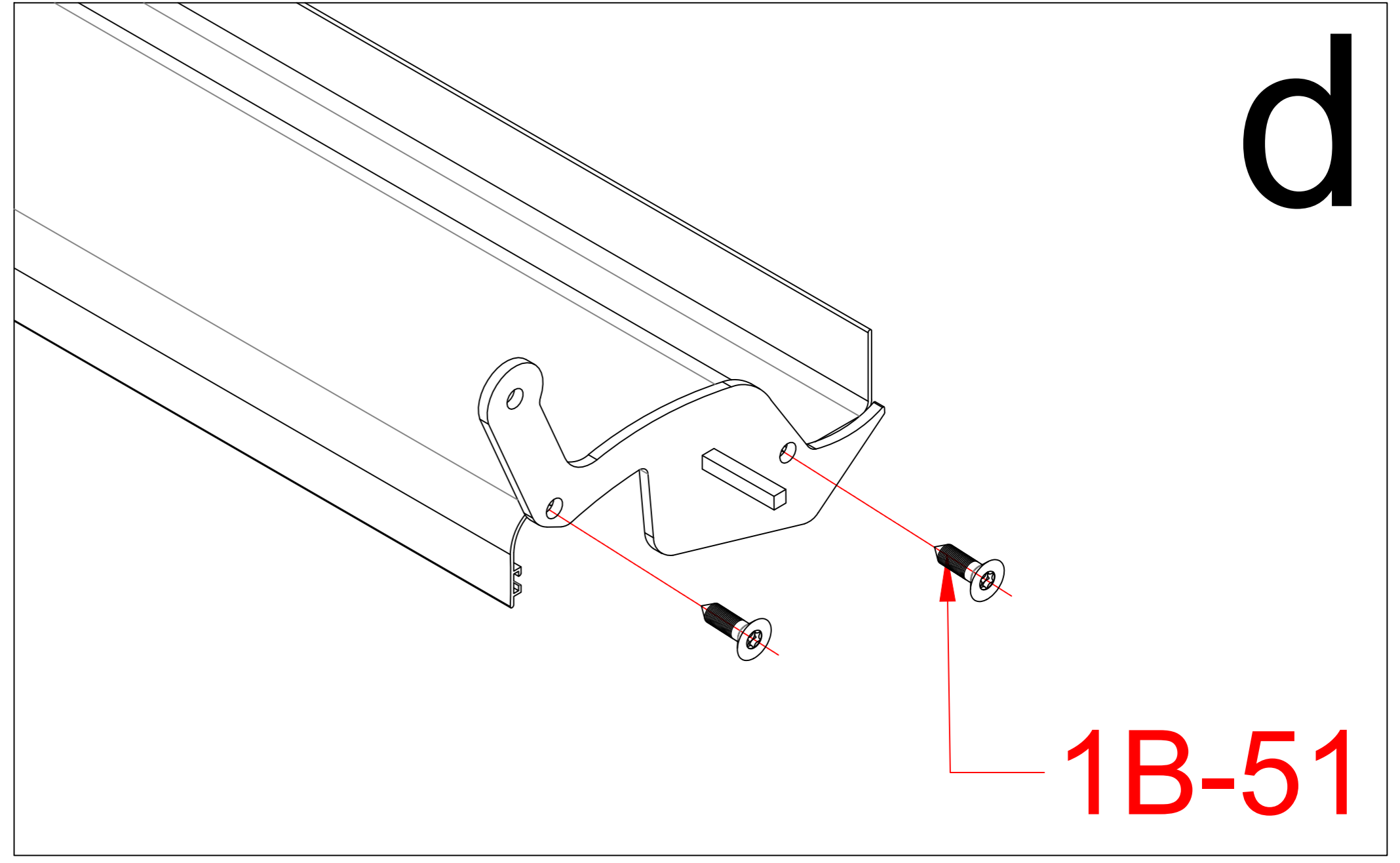
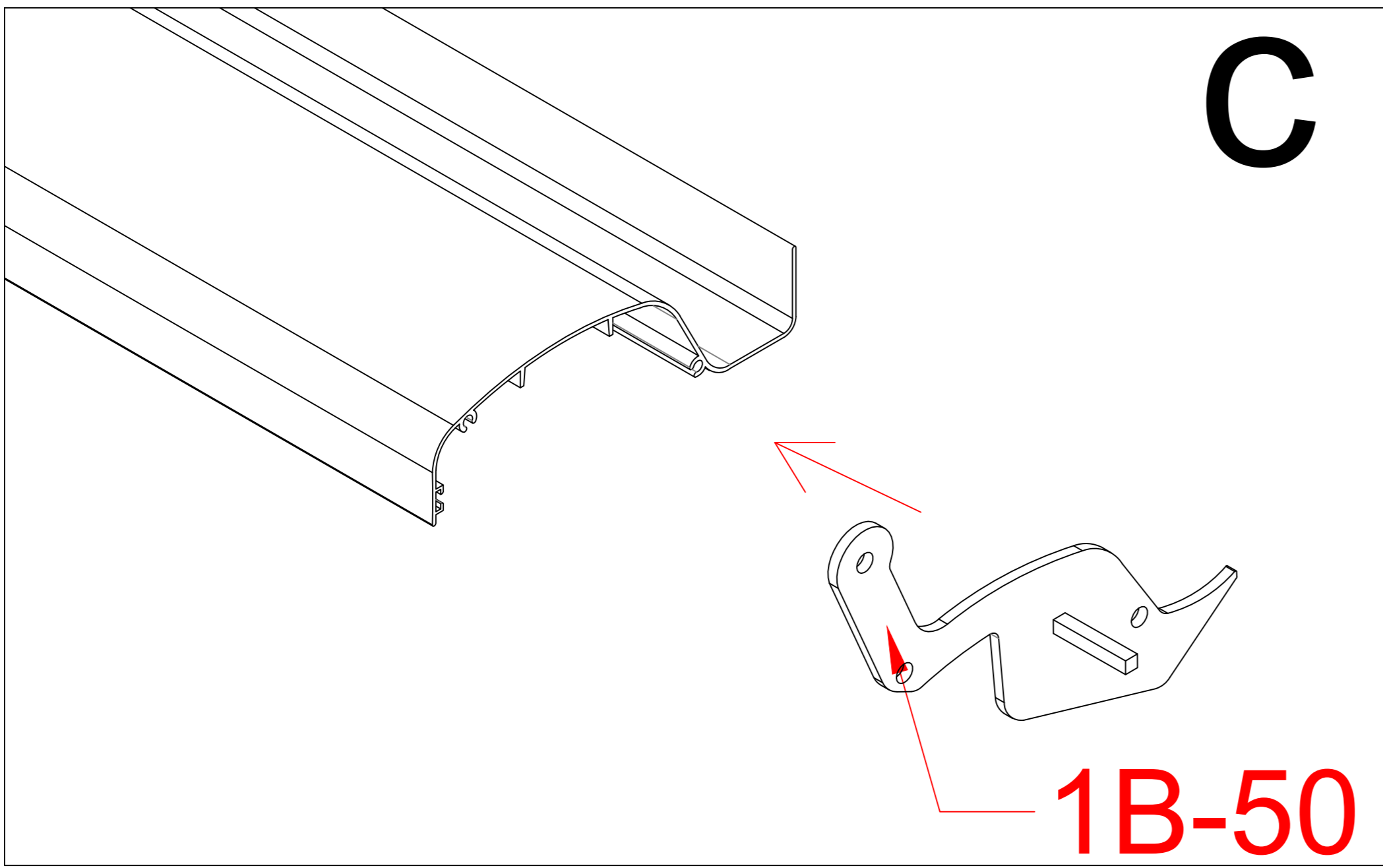
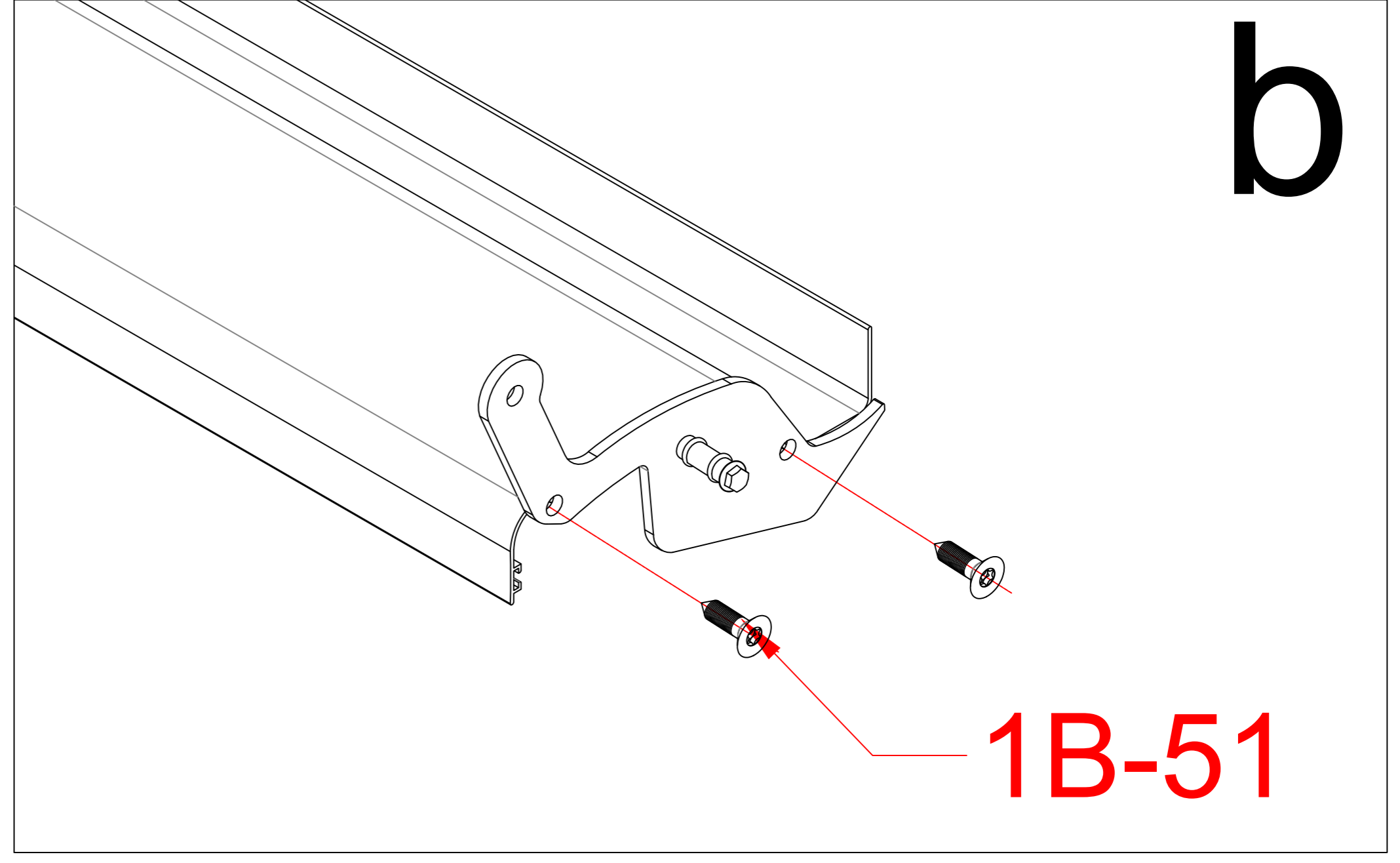
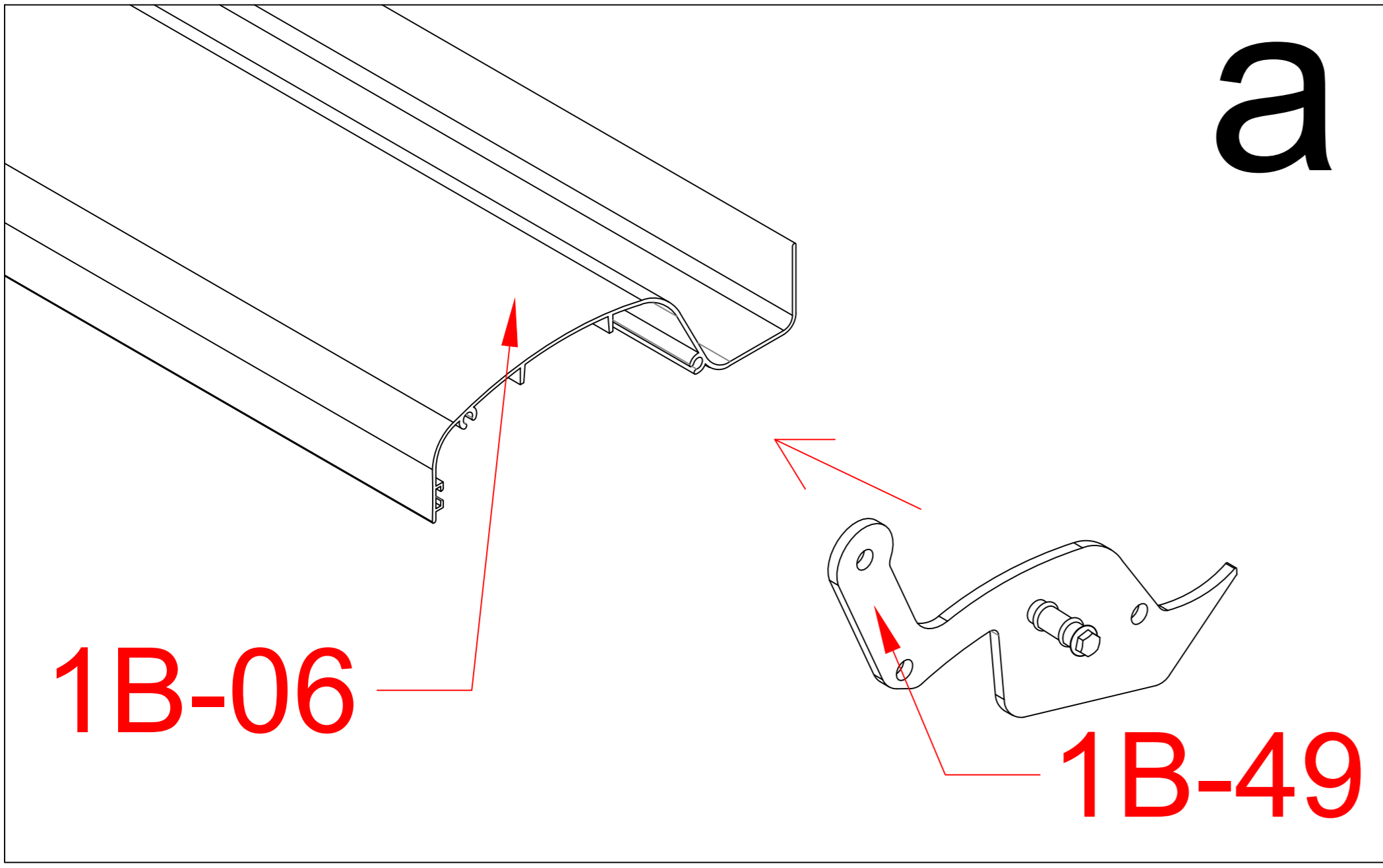
1B-24		1
1B-12		4





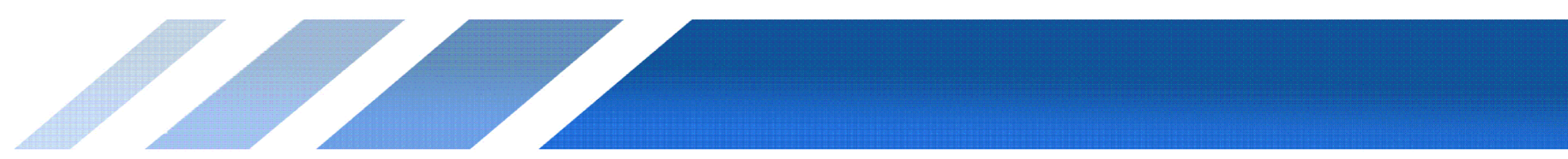
1B-64		1
1B-51		132
1B-06		66
1B-48B		1
1B-48		65

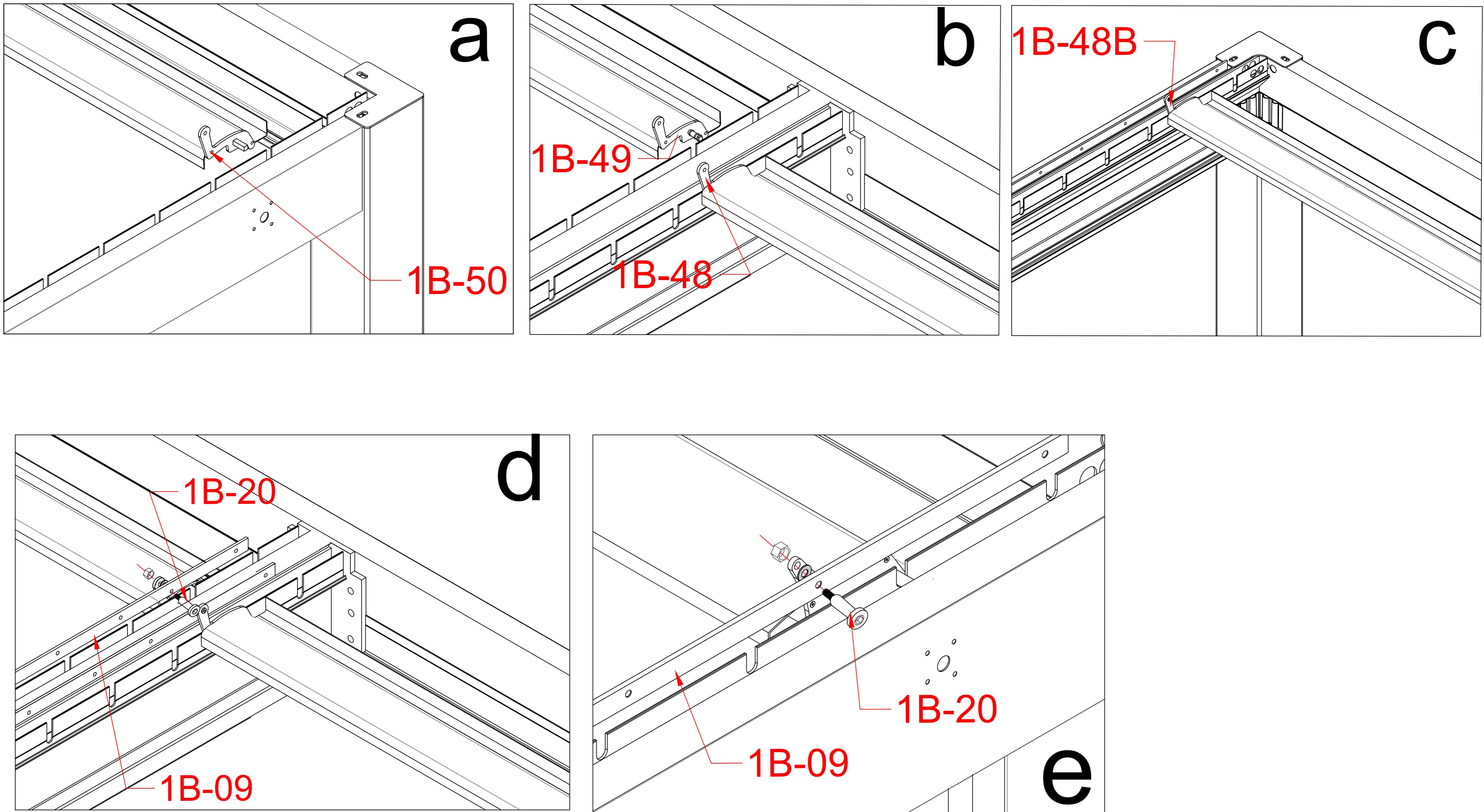




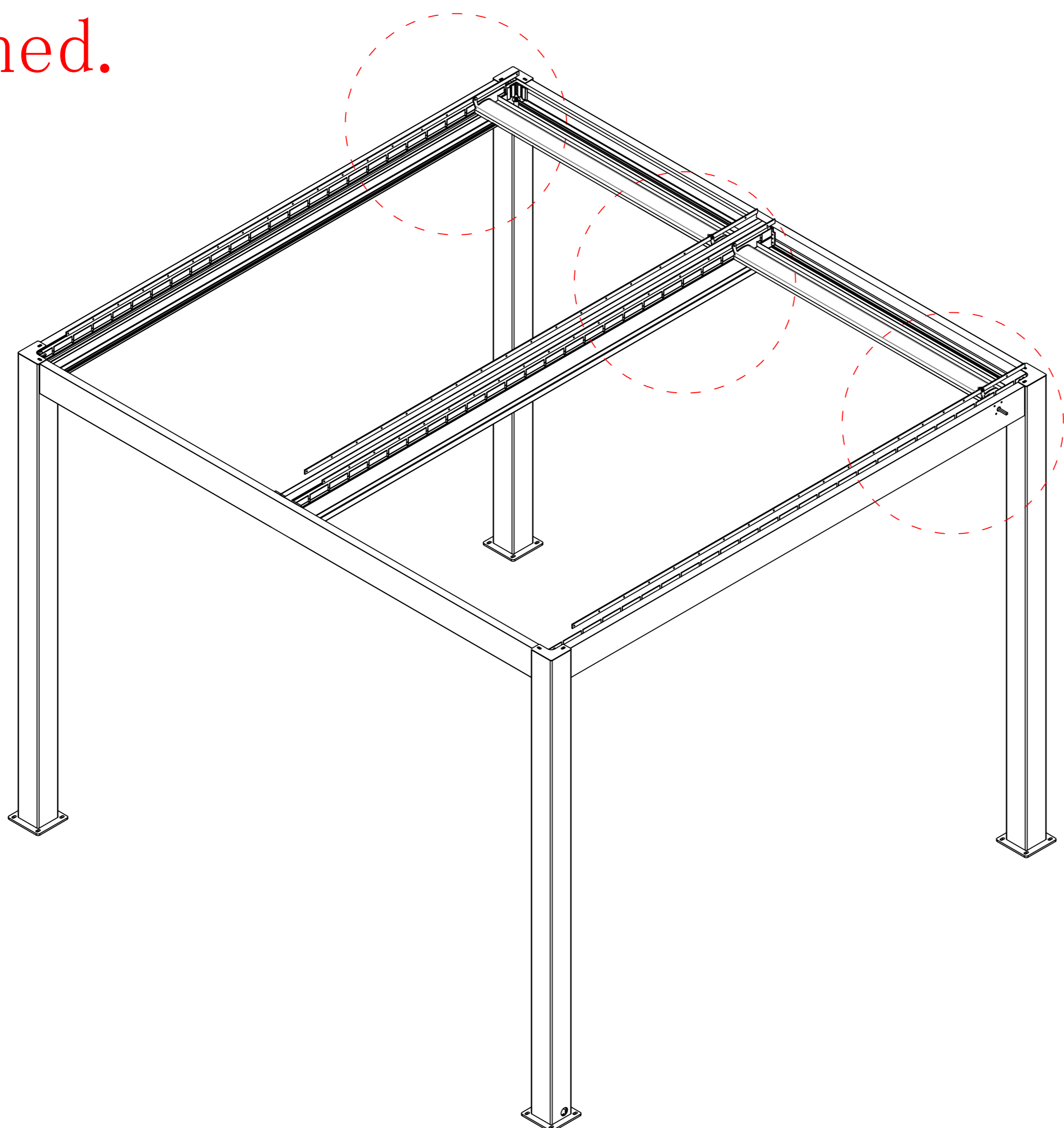
x1

1B-64		1
1B-49		65
1B-50		1
1B-51		132



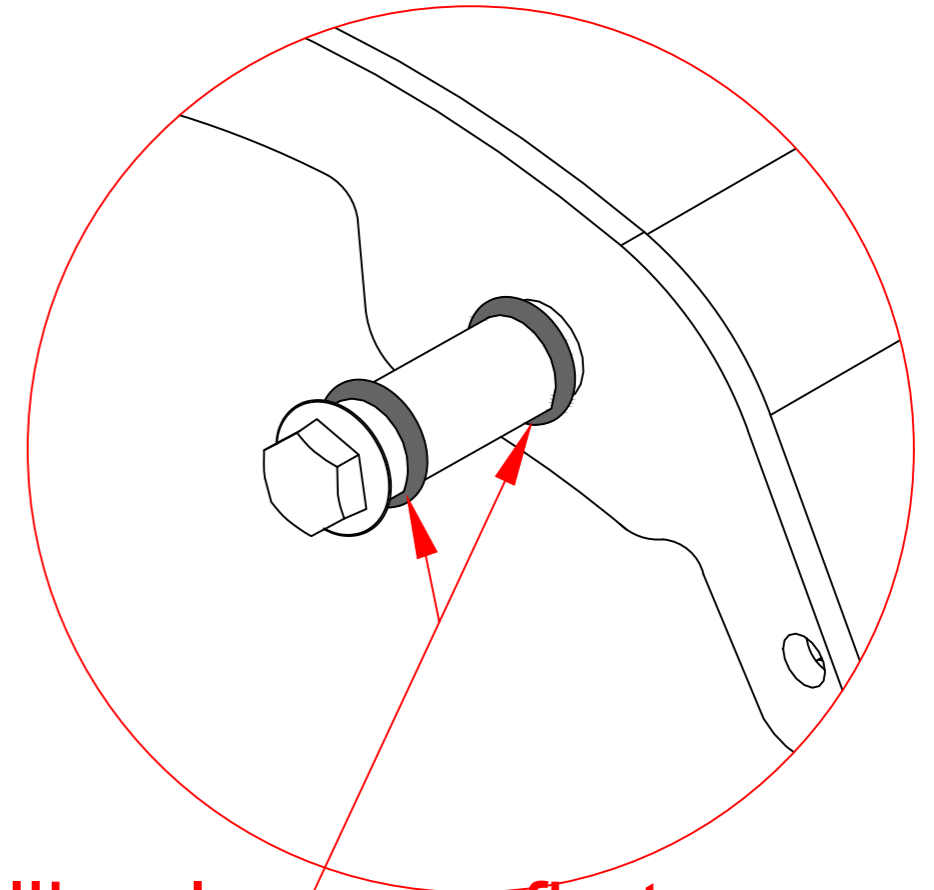
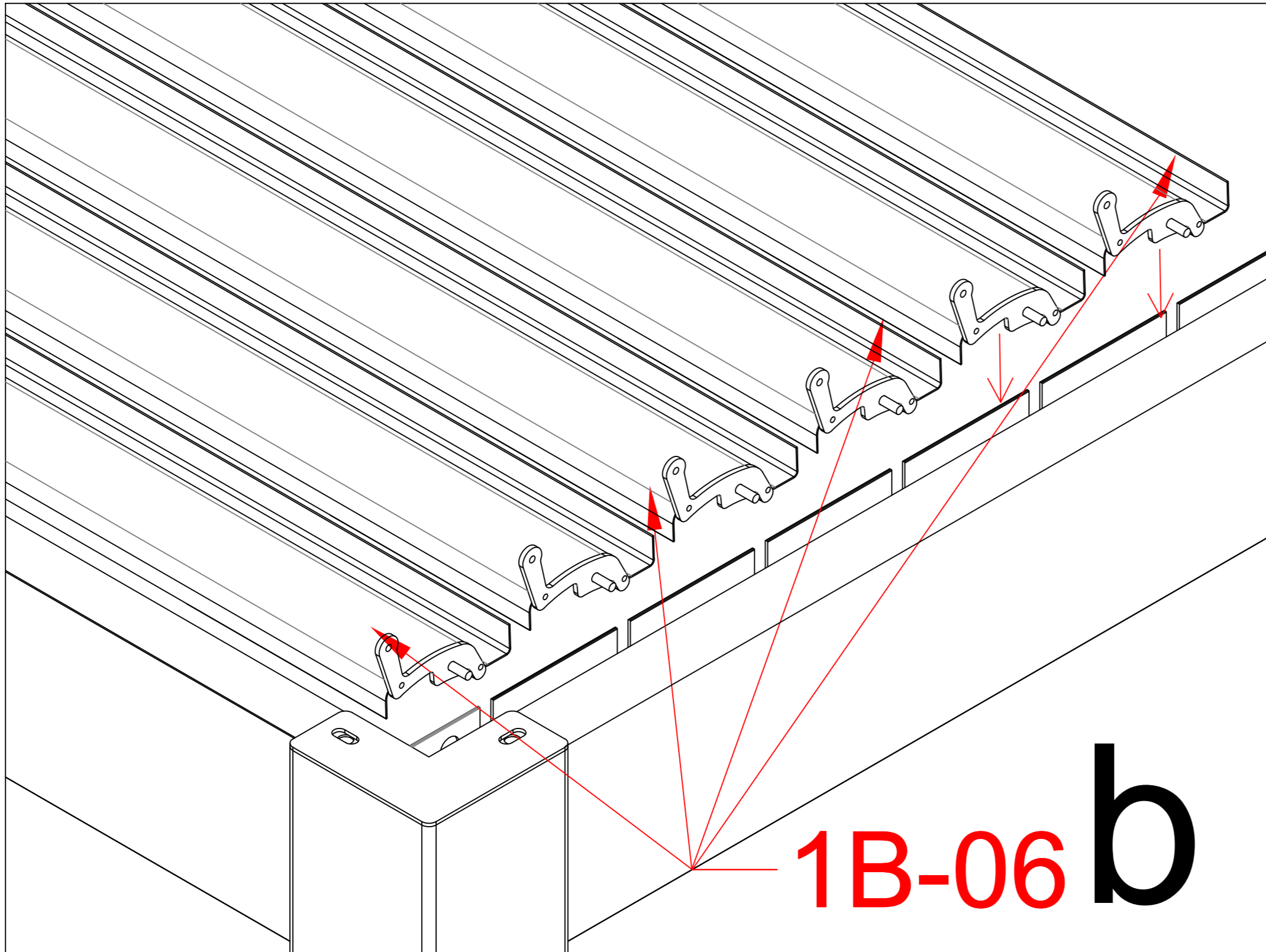


Warning:
 Simultaneous installation
 of driving louvres on both
 sides, and bolts must be
 tightened.

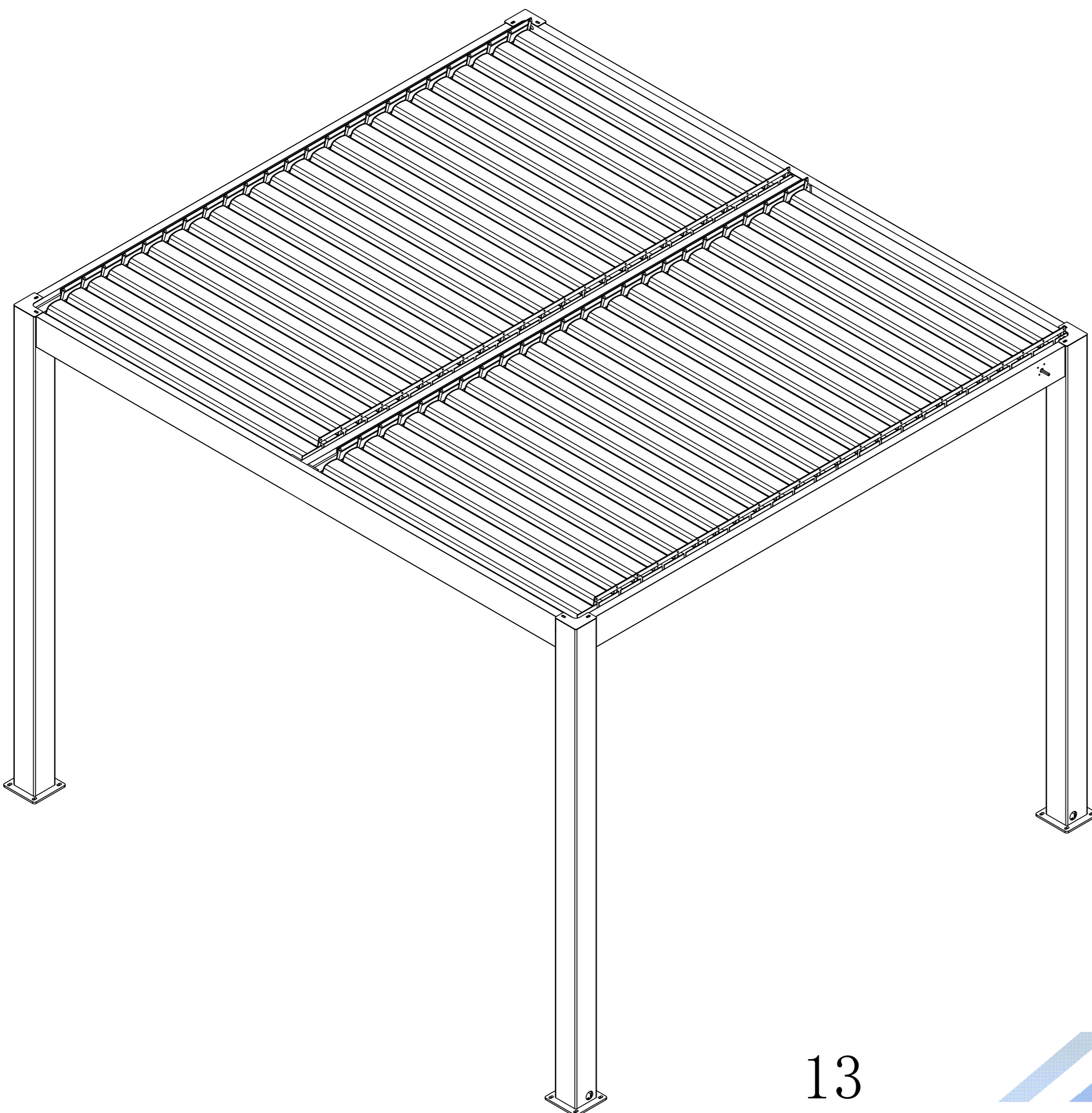
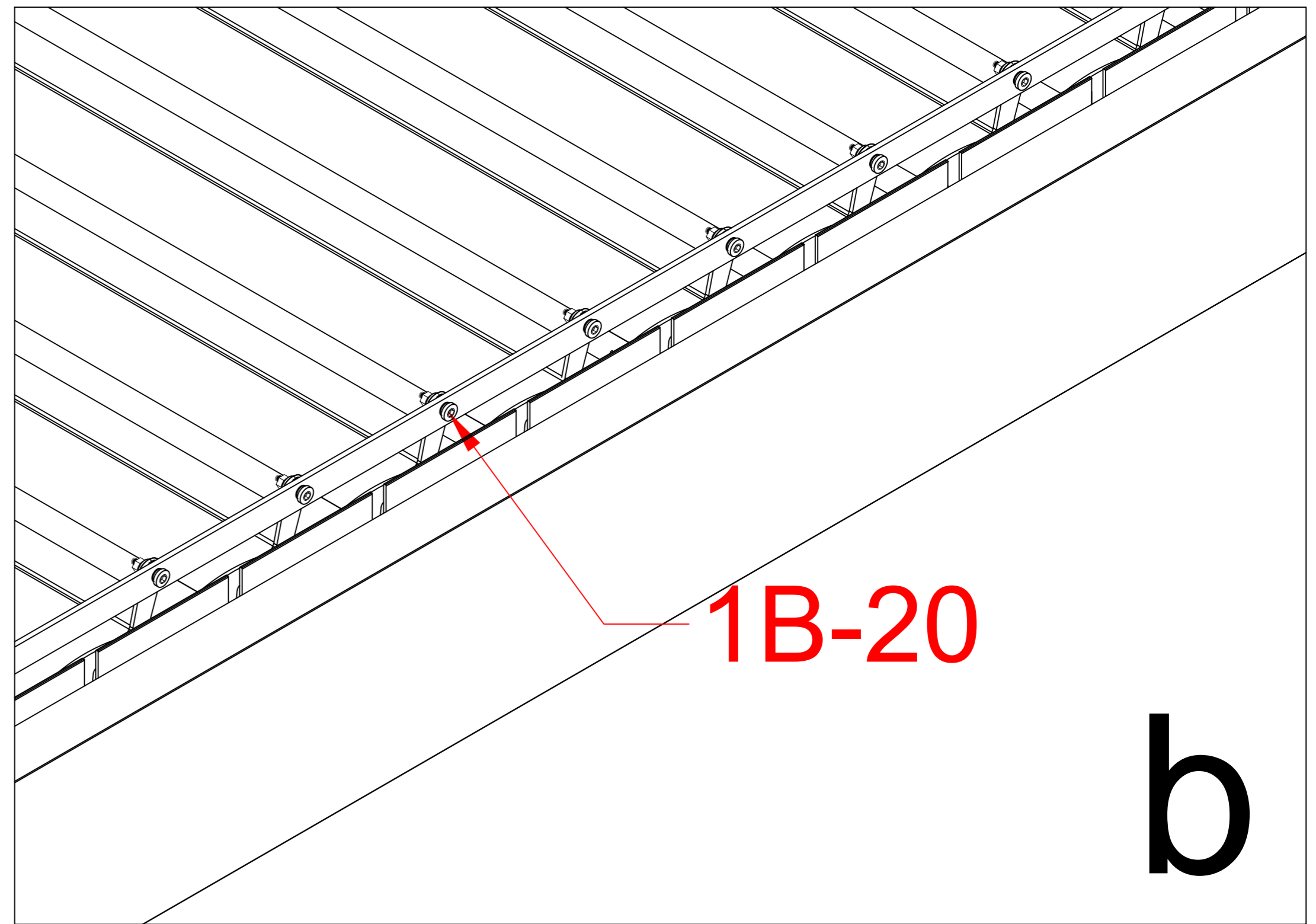


1B-09		4
1B-20		4
1B-06		2

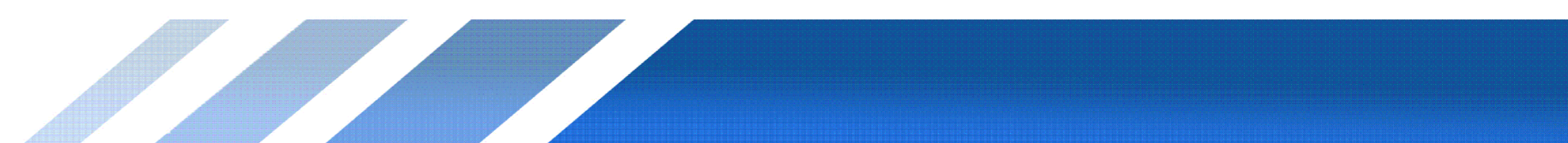


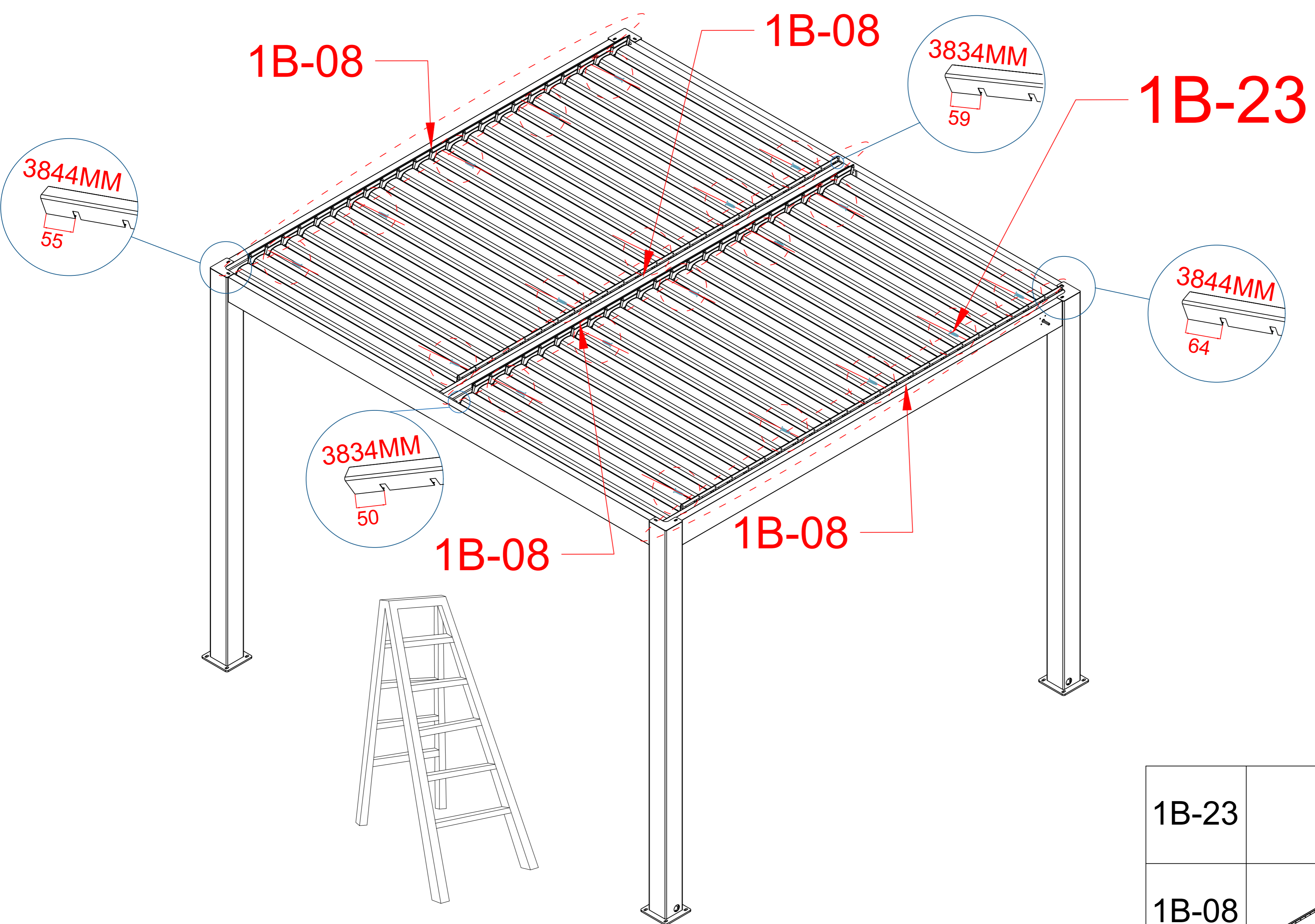
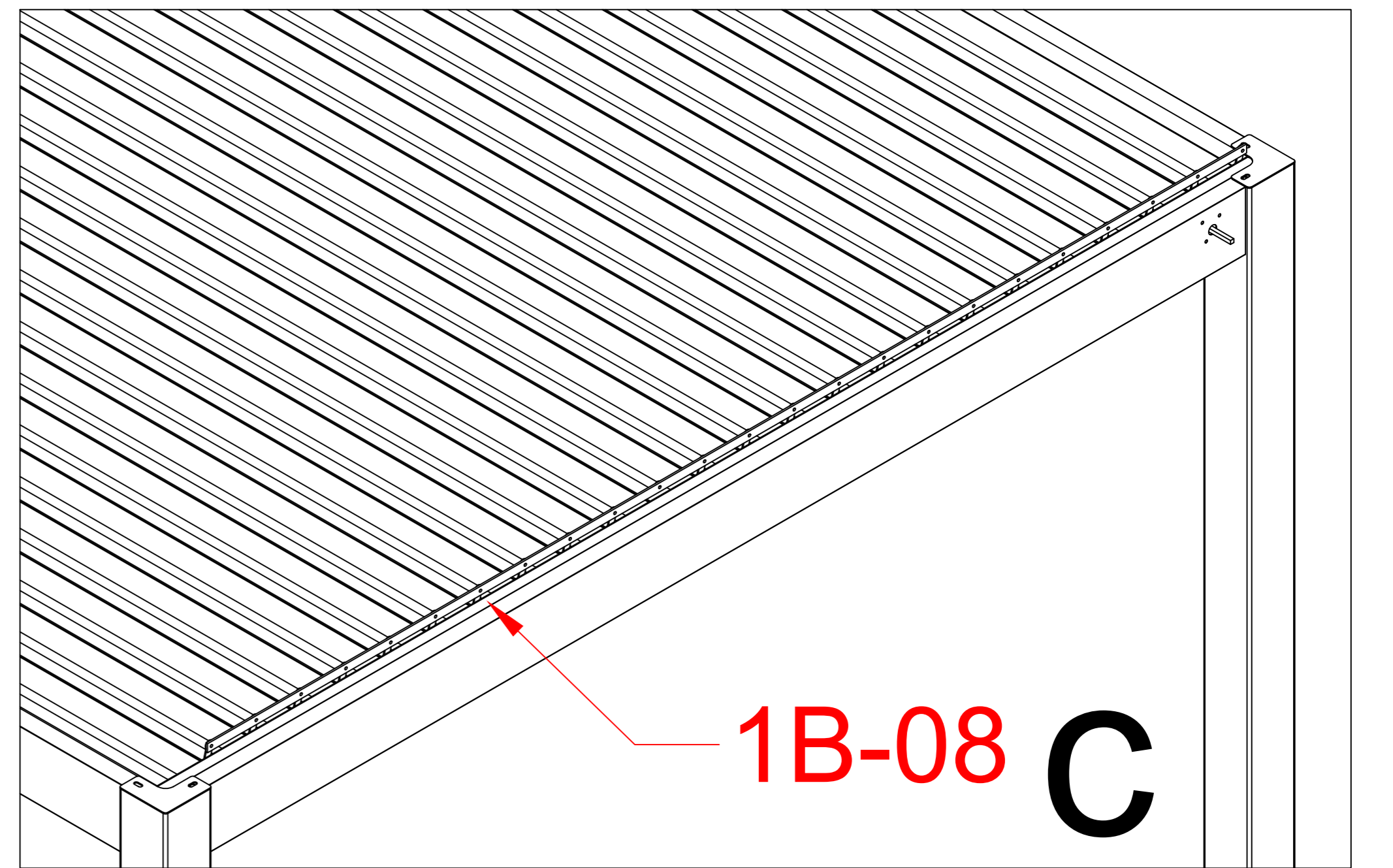
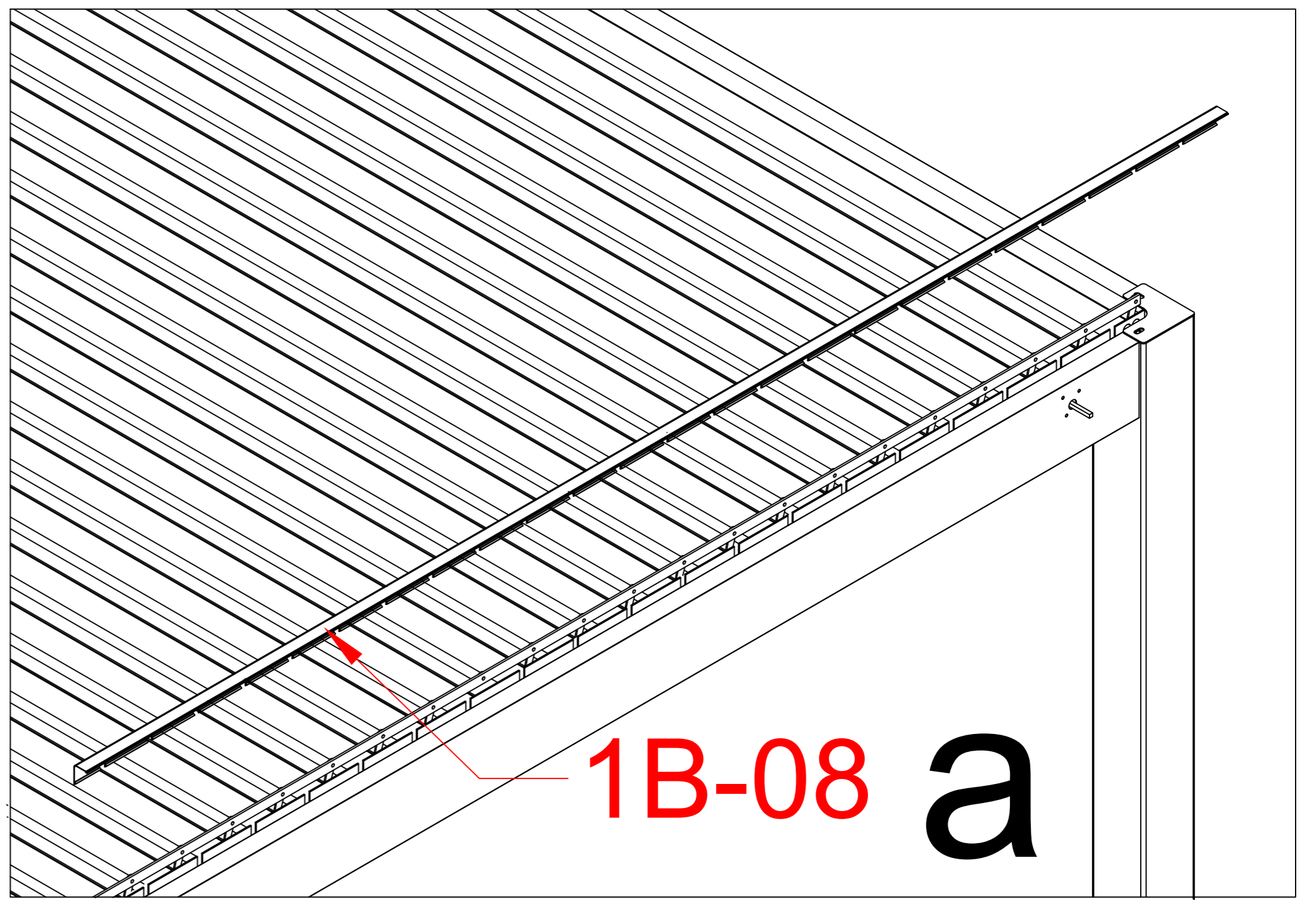
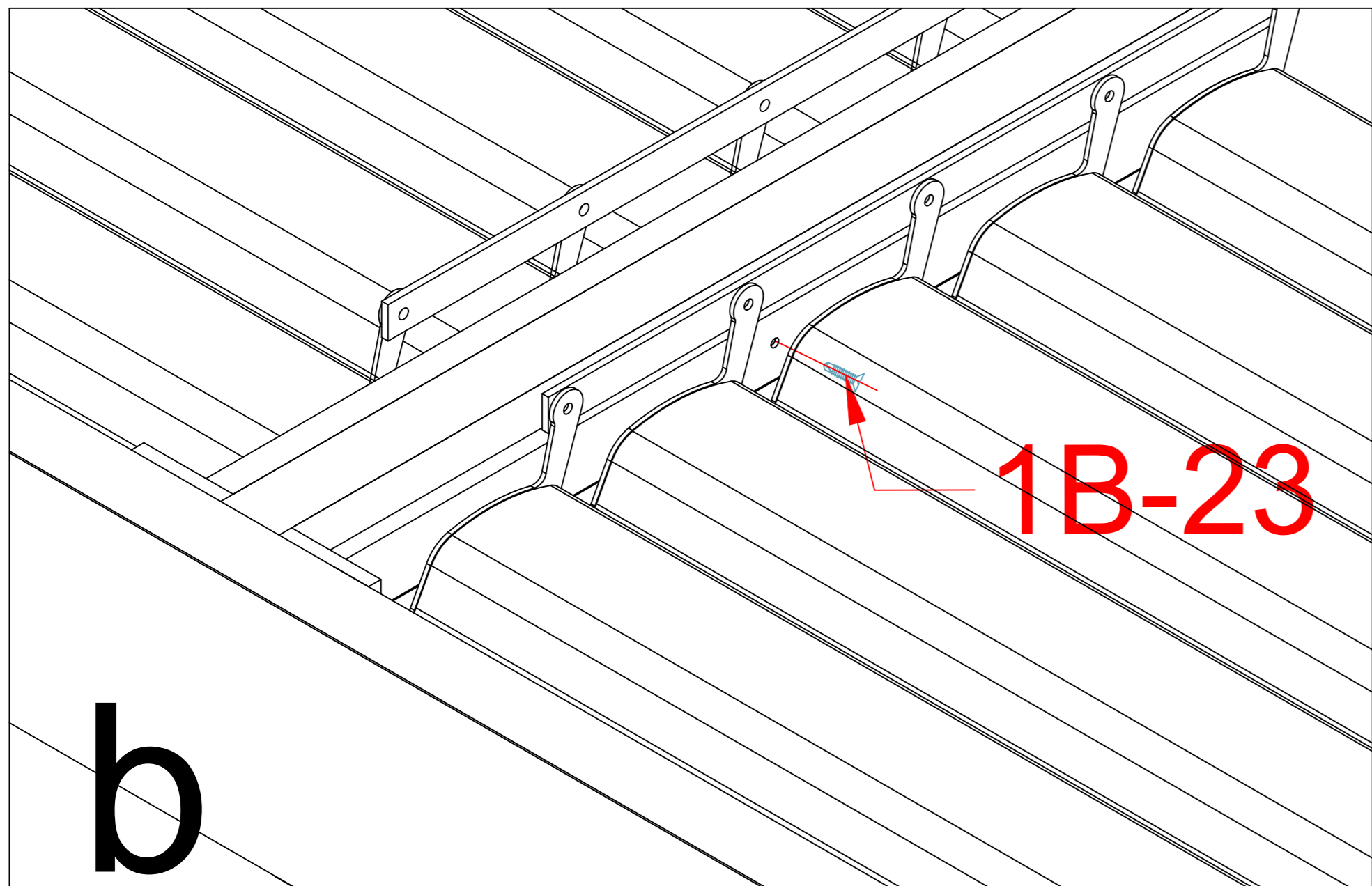


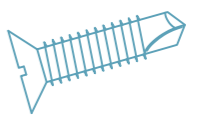
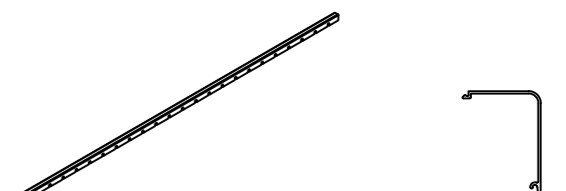
When installing louvers, first separate the two rubber gaskets and slide them to both ends of the circular shaft. Then, please ensure they are closed tightly before proceeding with the next steps of the installation.

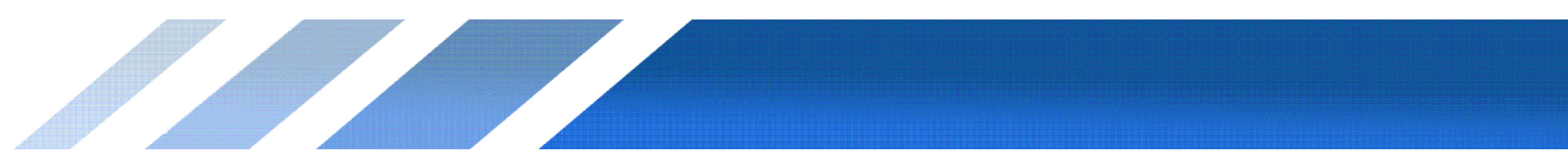


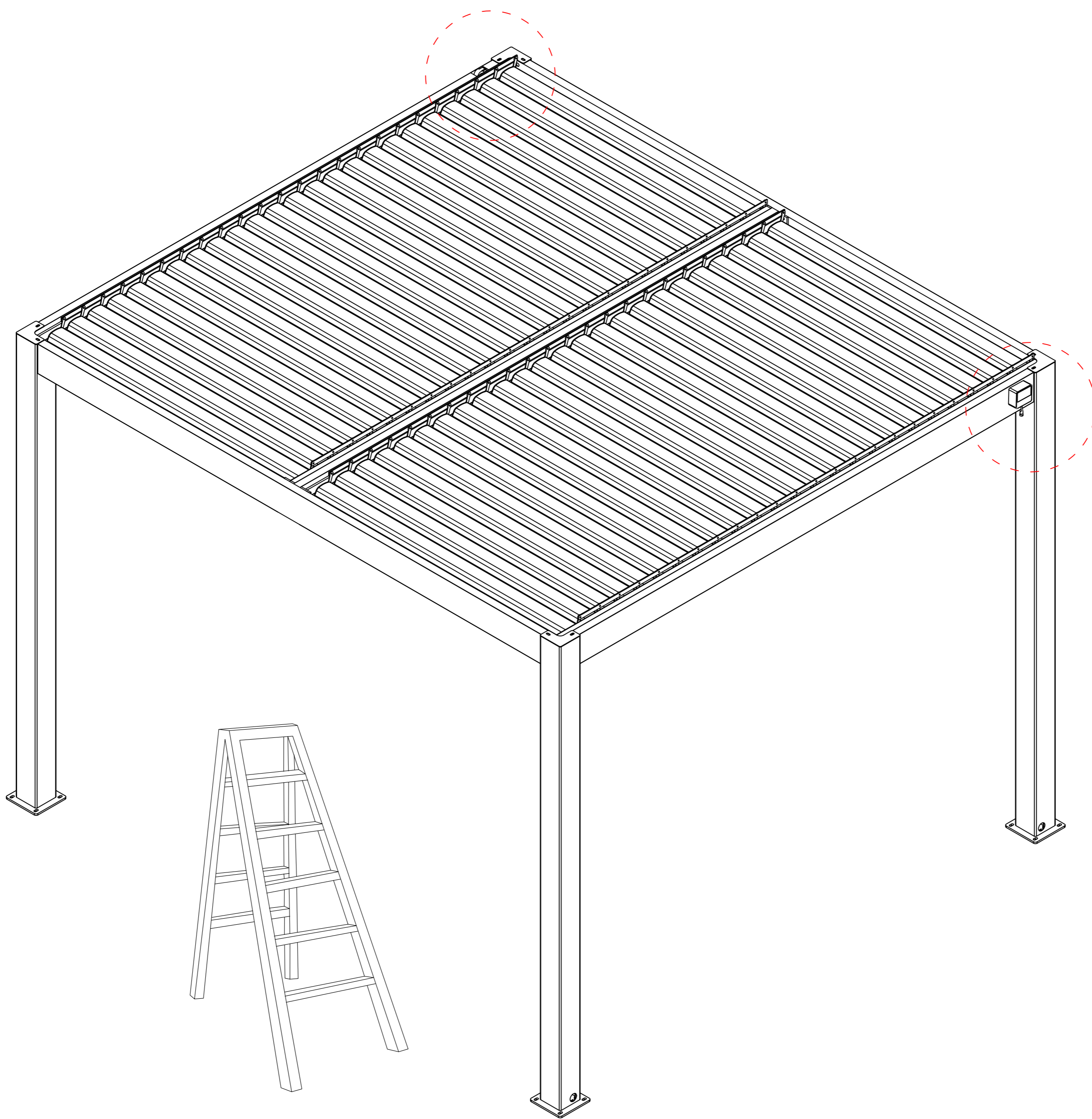
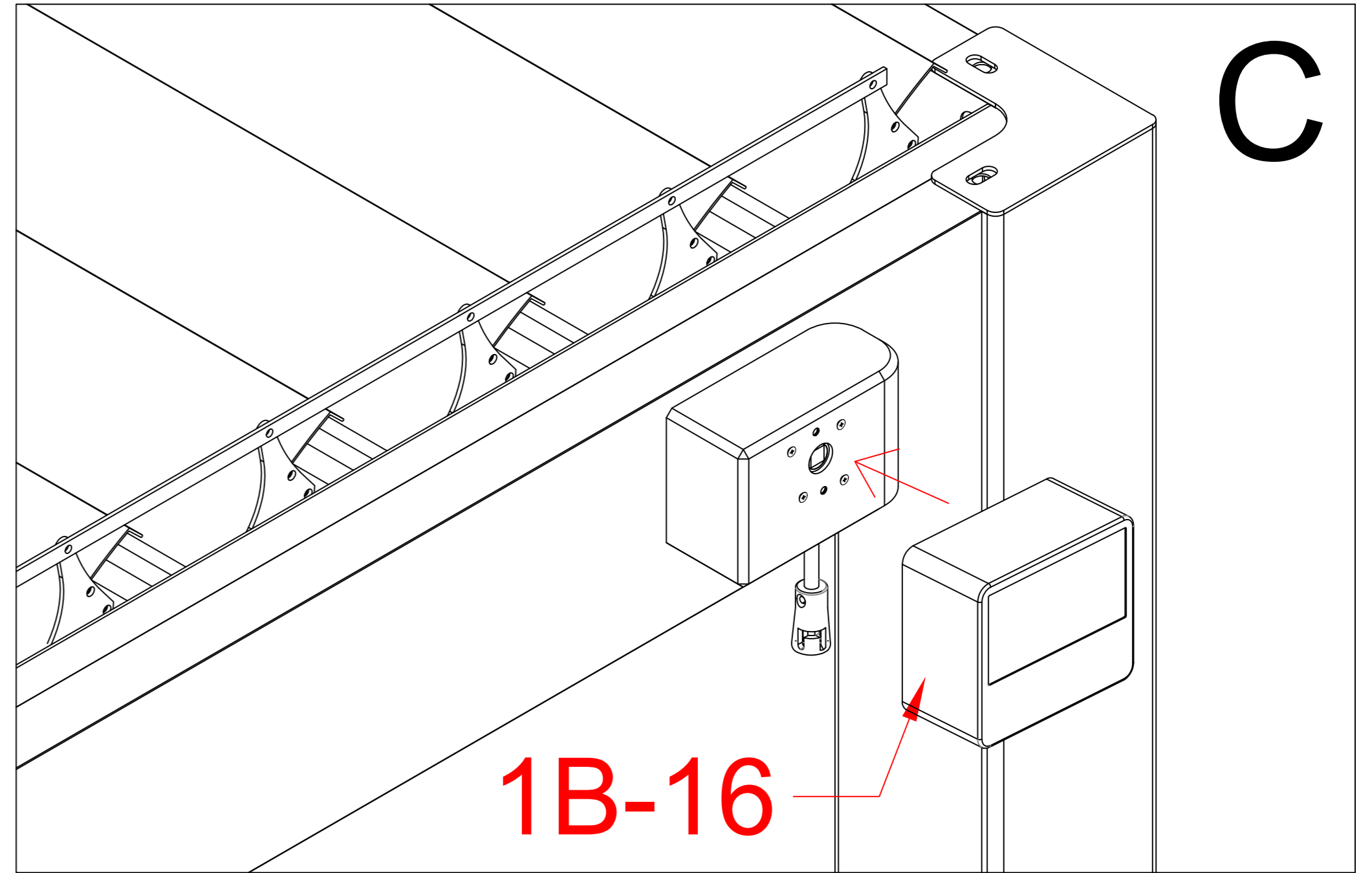
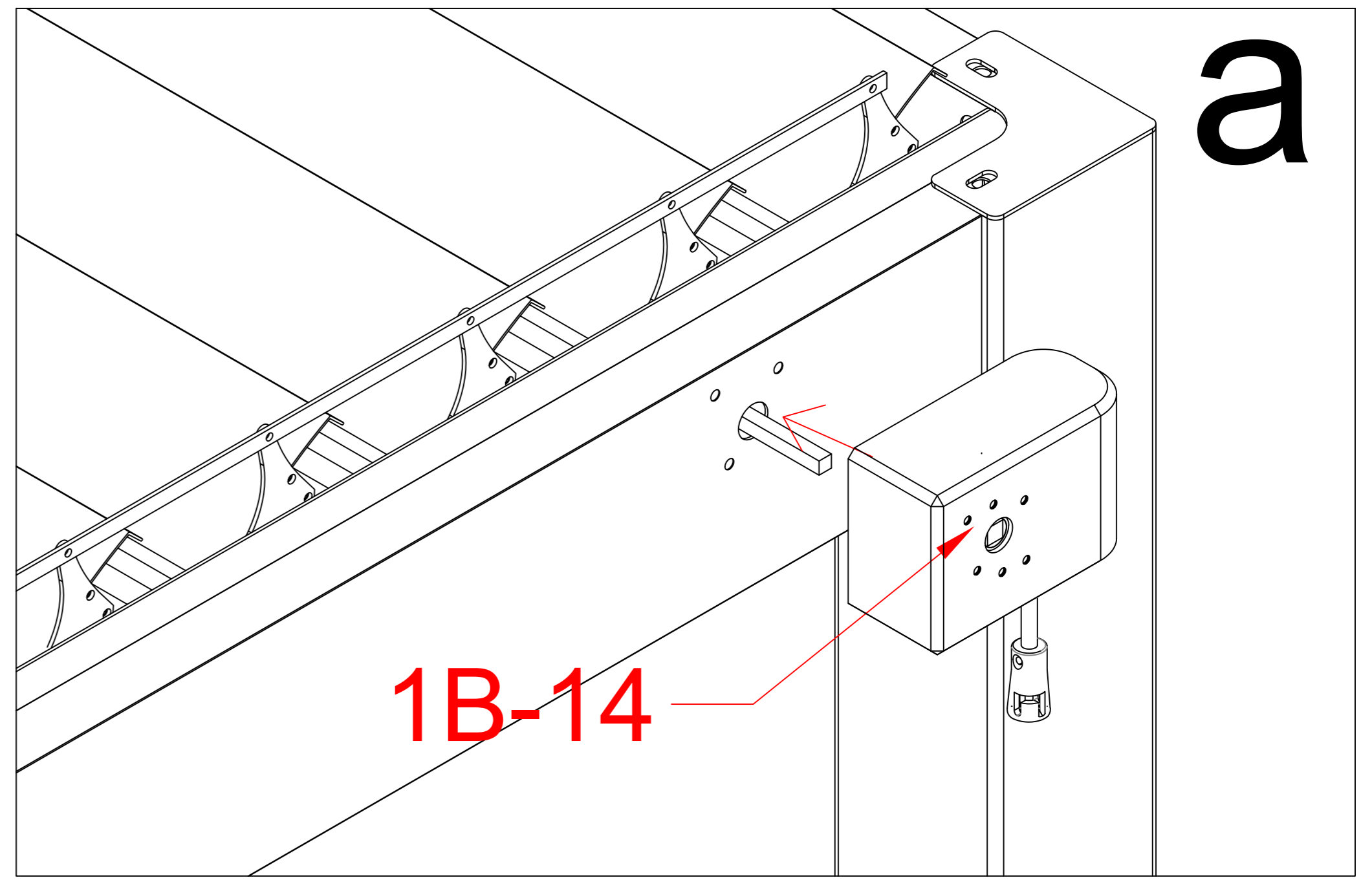
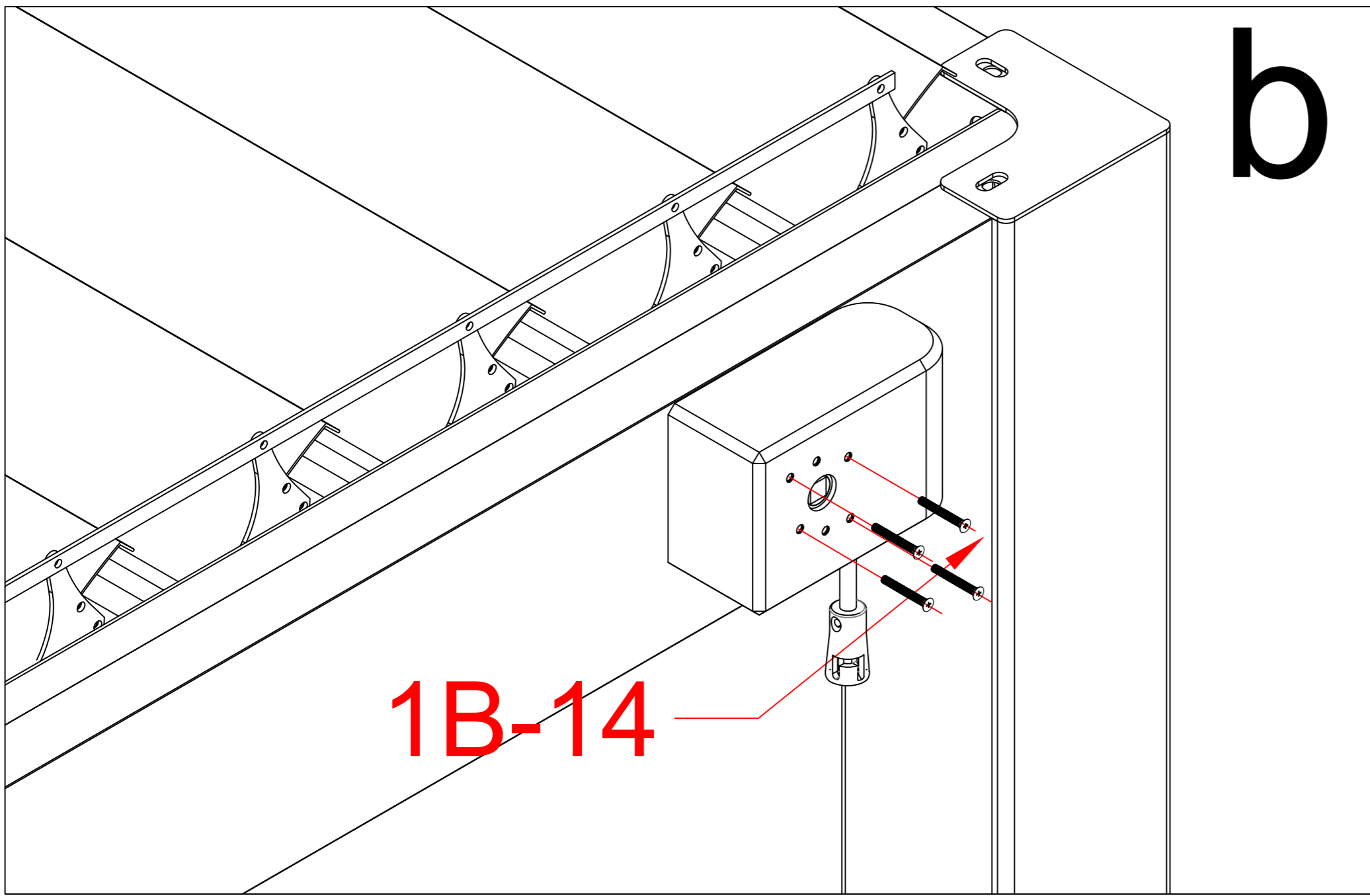
1B-20		128
1B-06		64

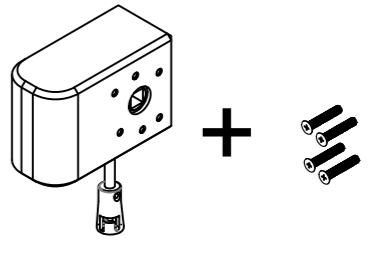

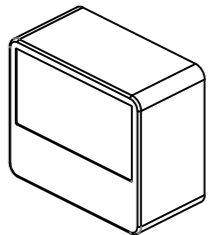


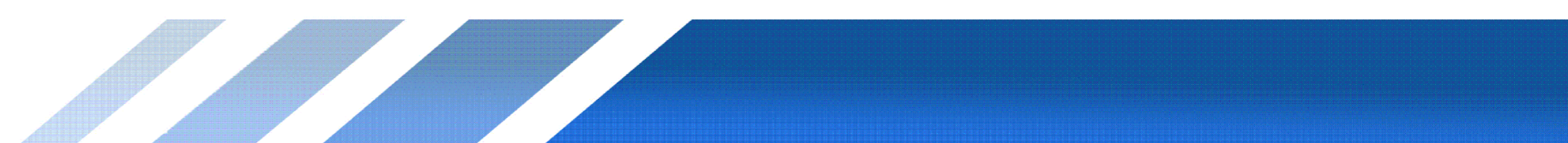


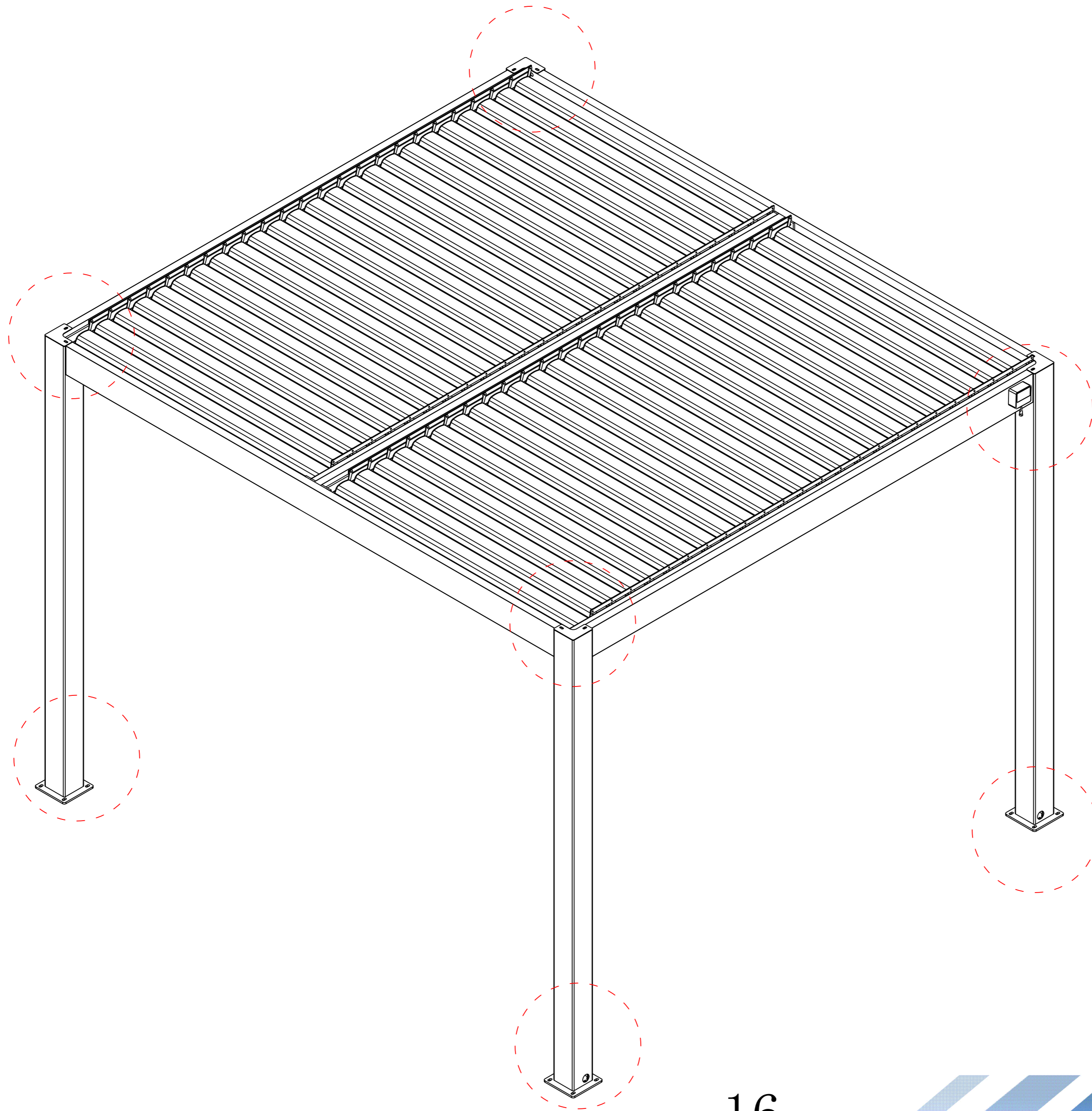
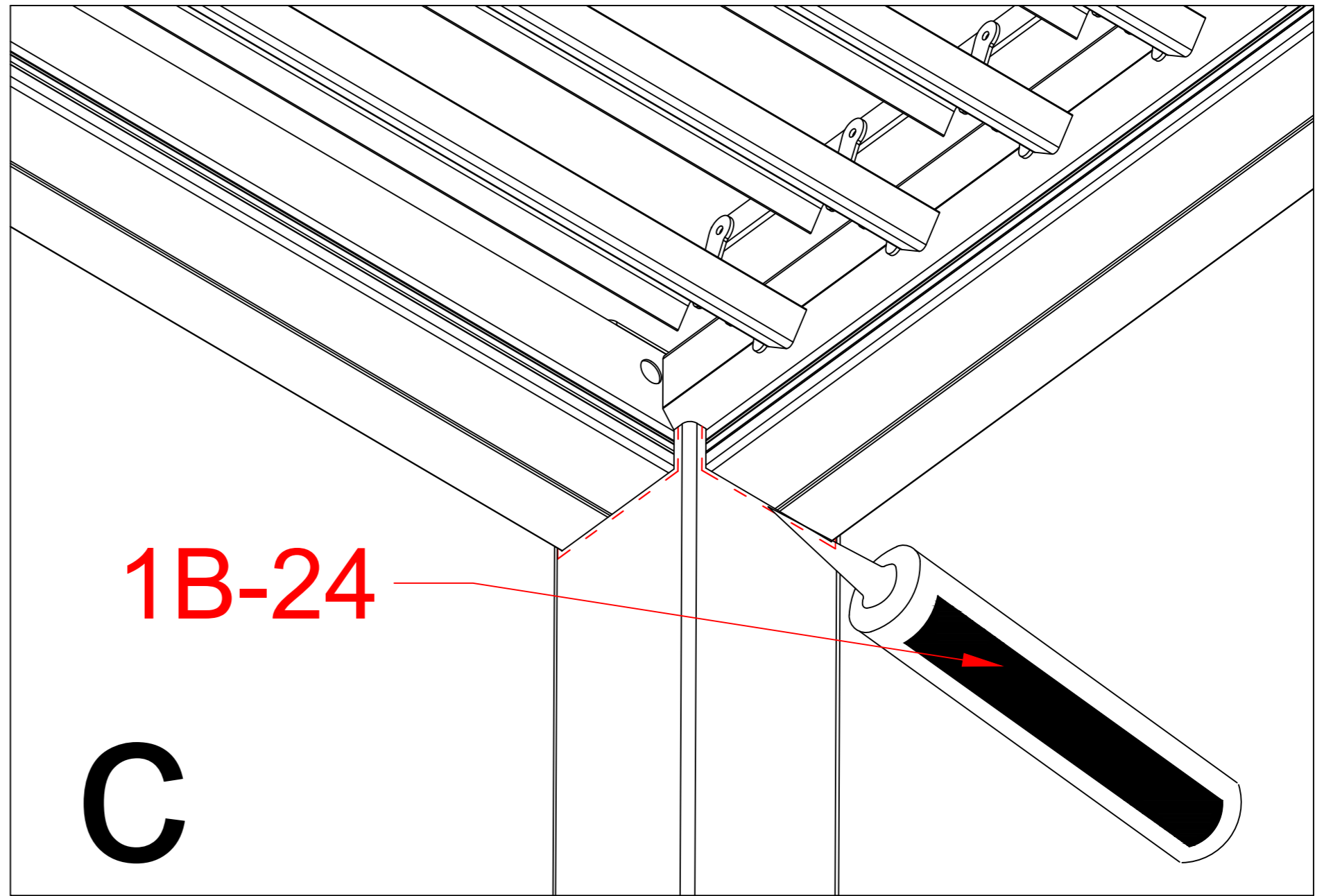
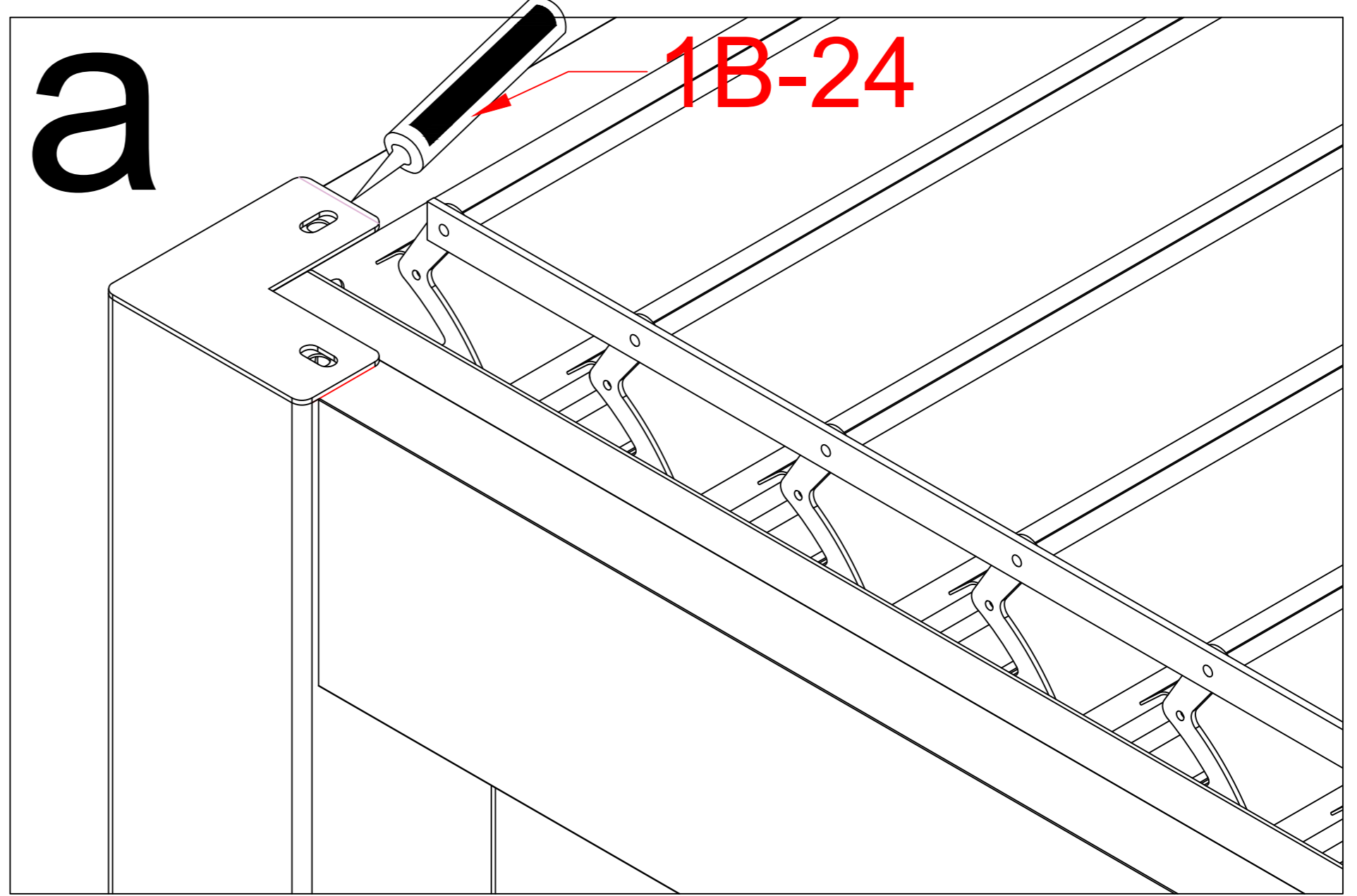
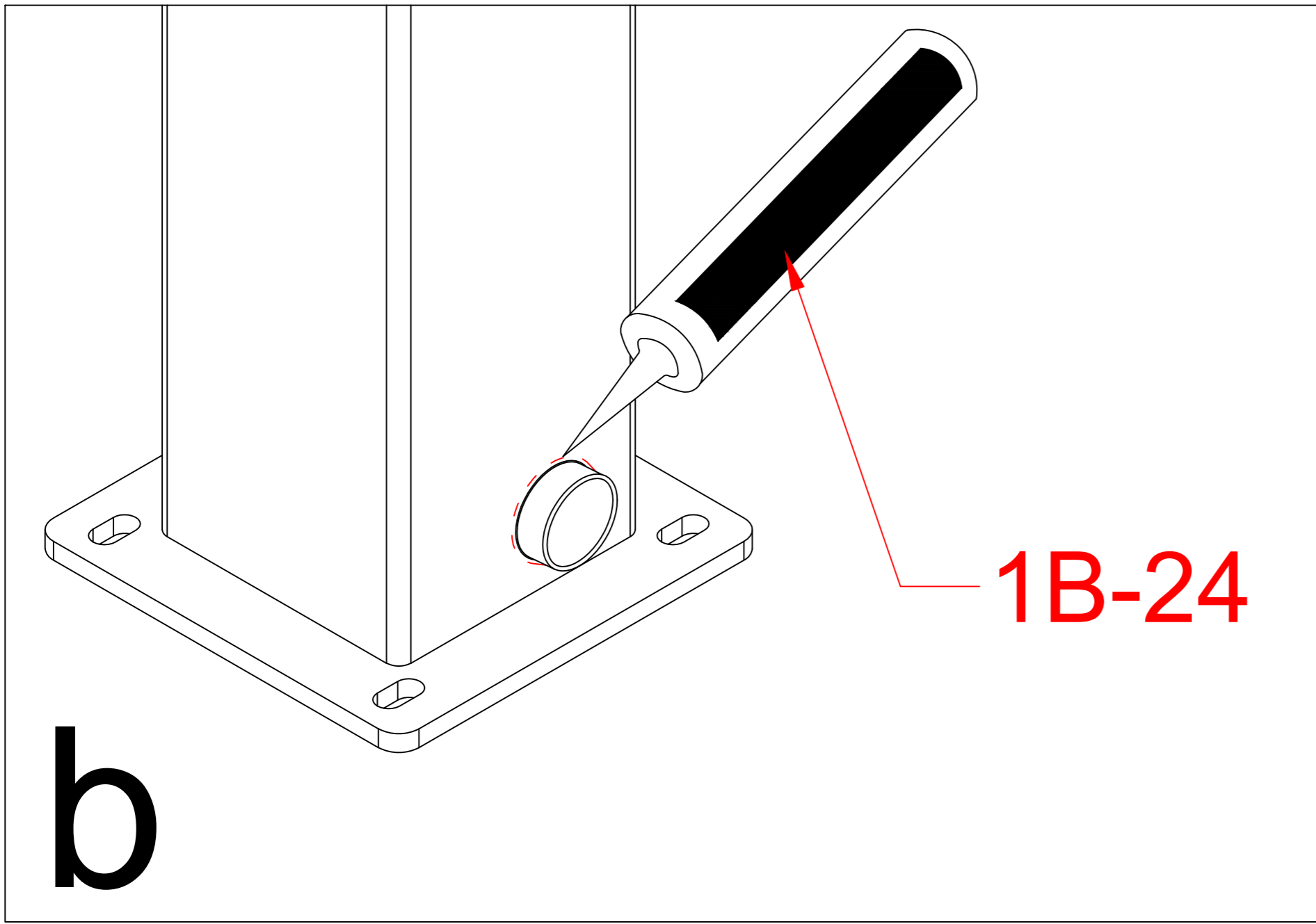
1B-23		20
1B-08		4

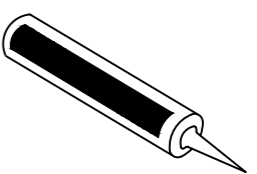


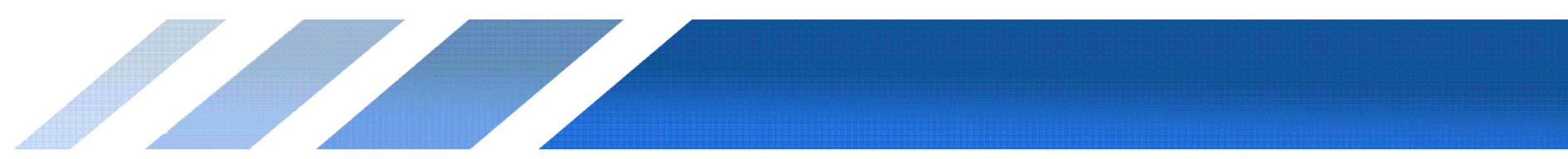


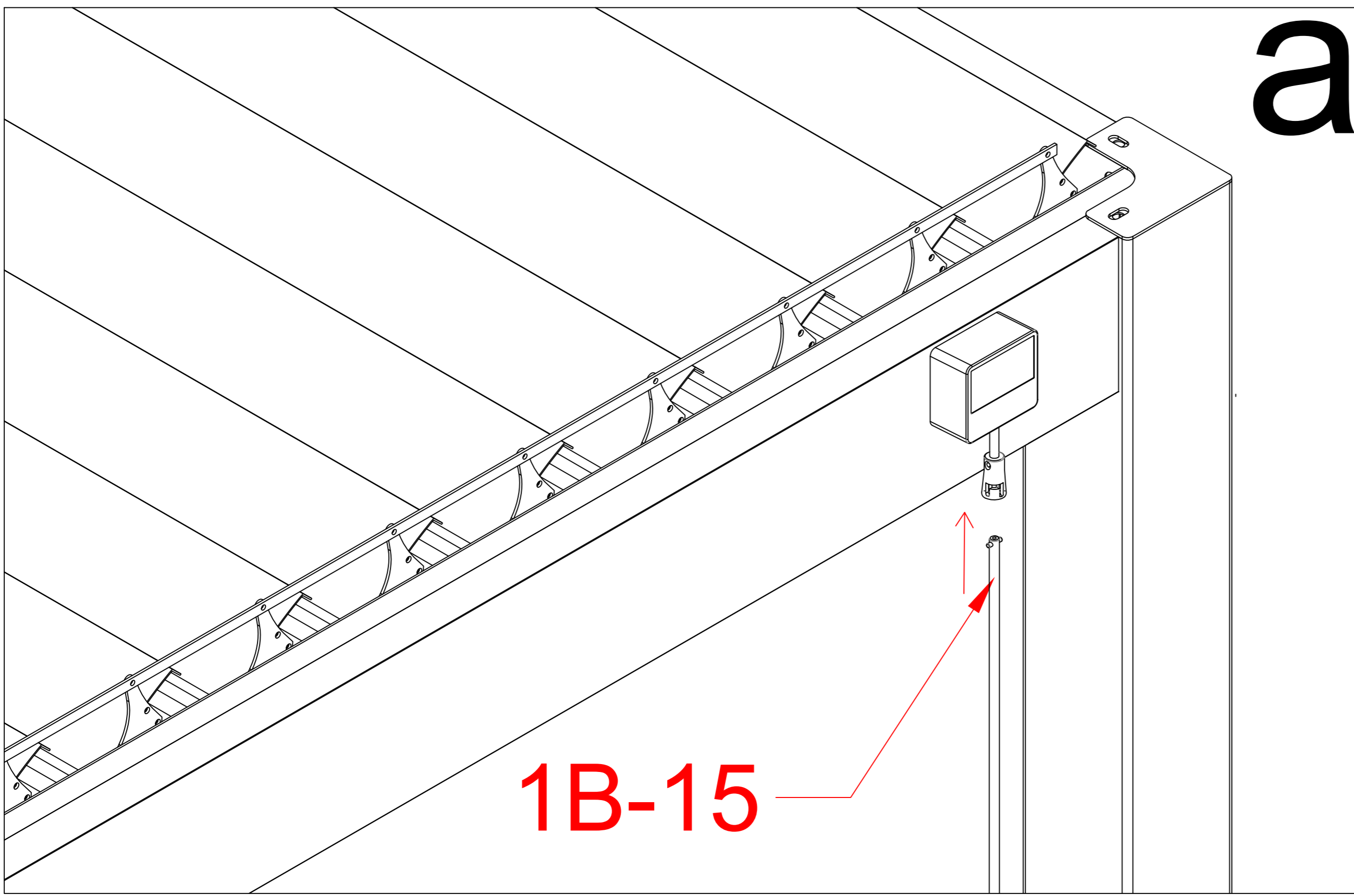
1B-14	 + 	2
1B-16		2



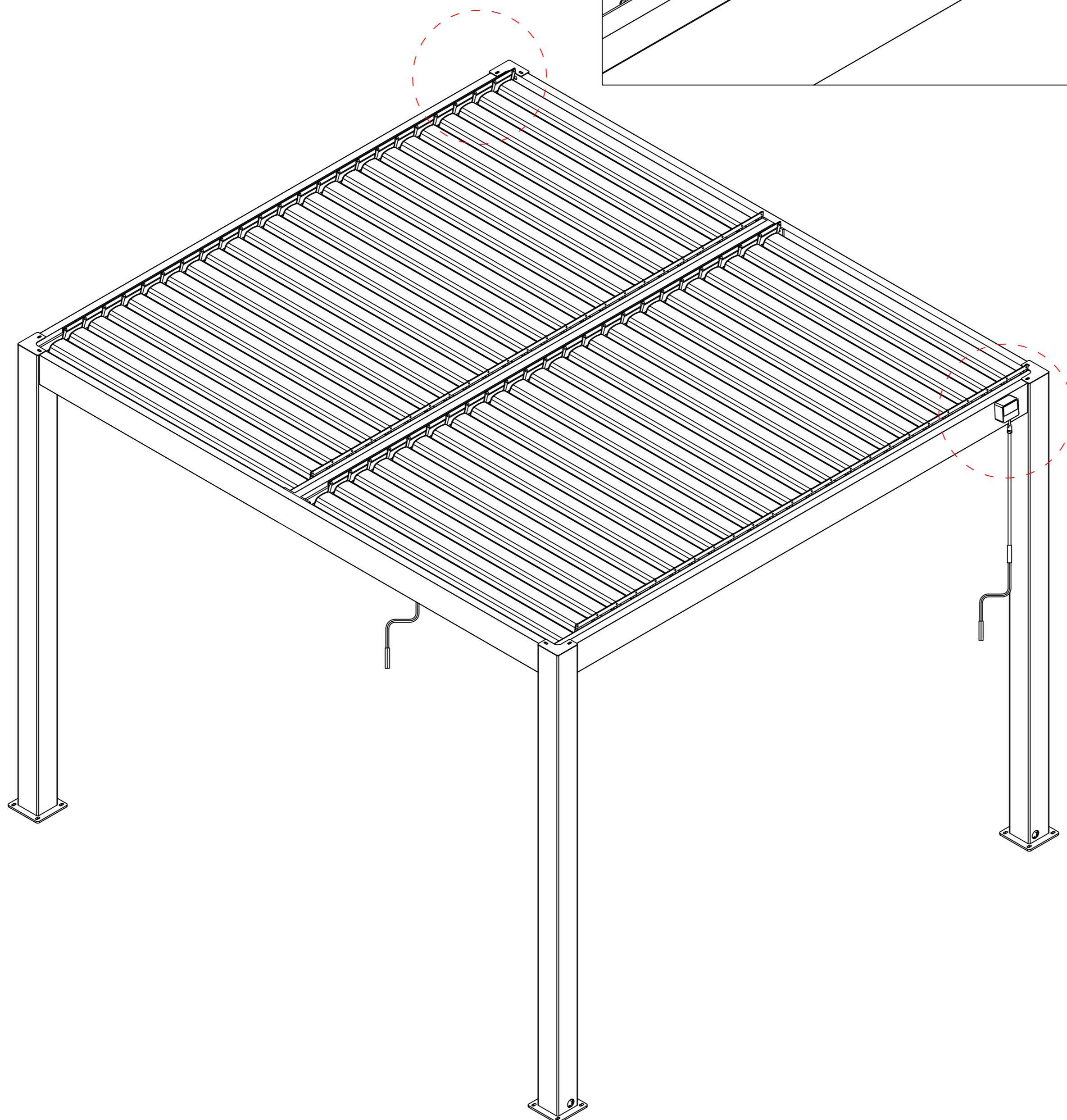
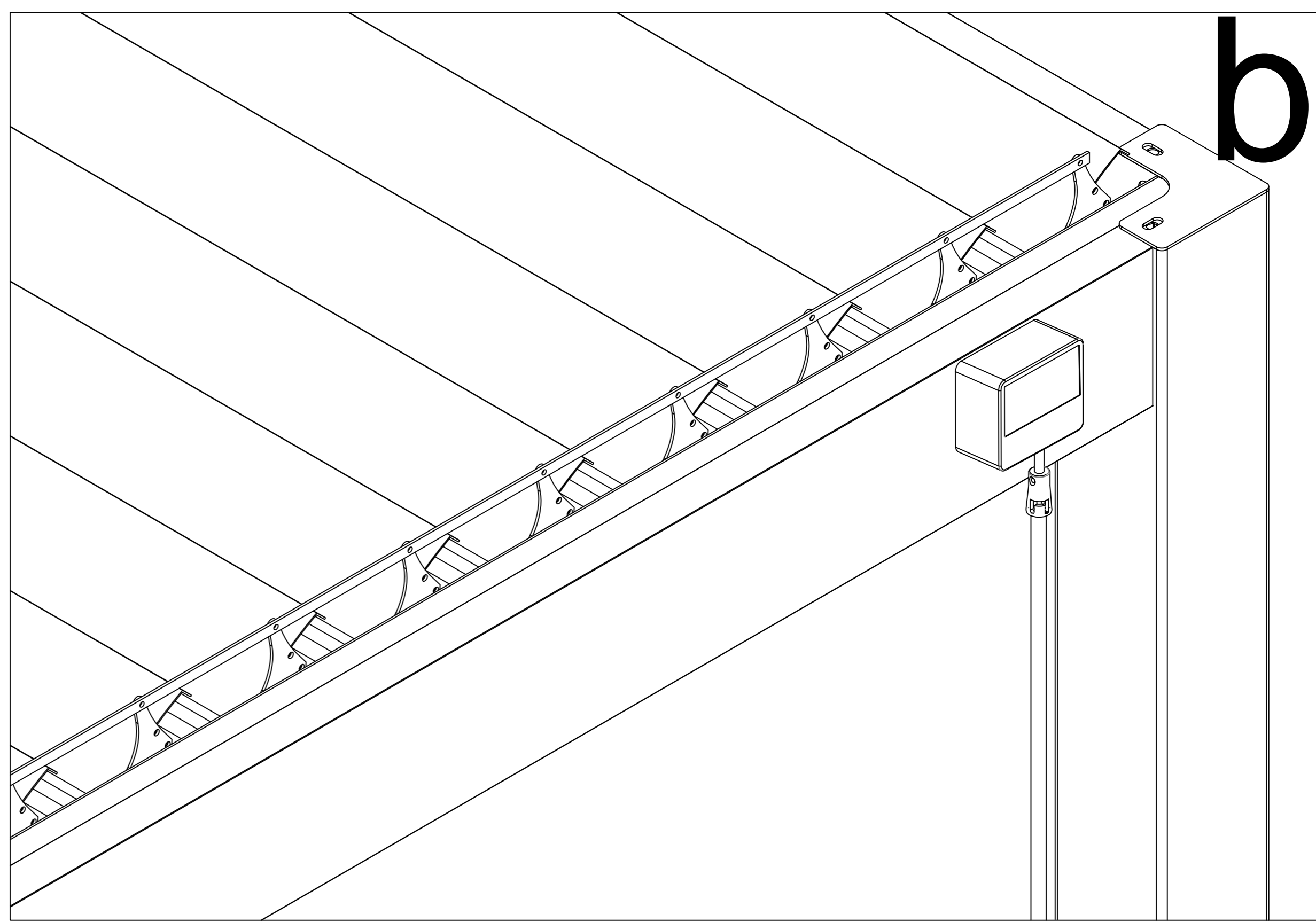


1B-24		1
-------	---	---





Warning
In Snow / Wind season or in case
of snow / wind forecast open up
your shutters in vertical position to
avoid any damaging on your
pergola.



1B-15		2
-------	--	---

