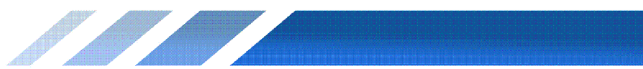
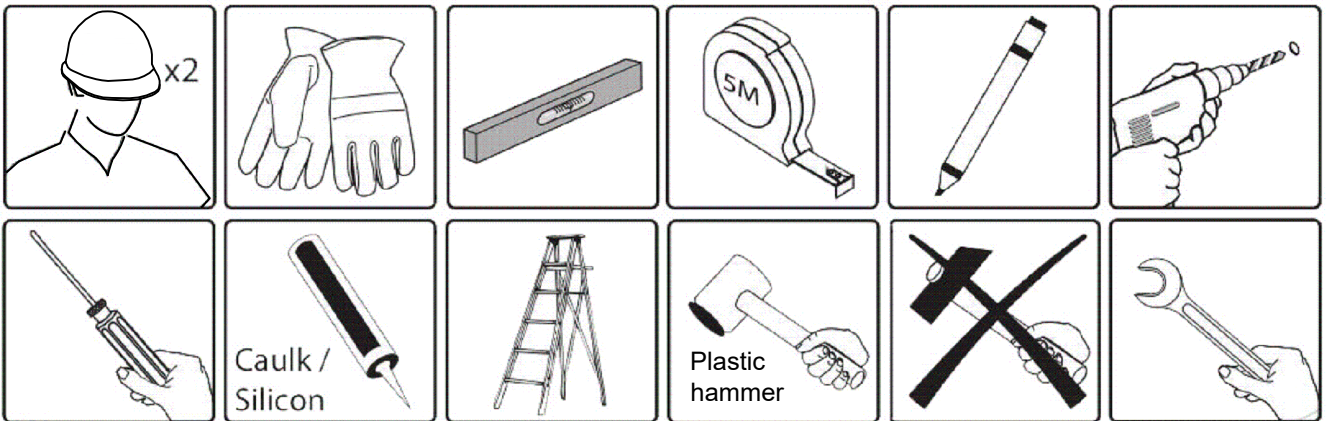
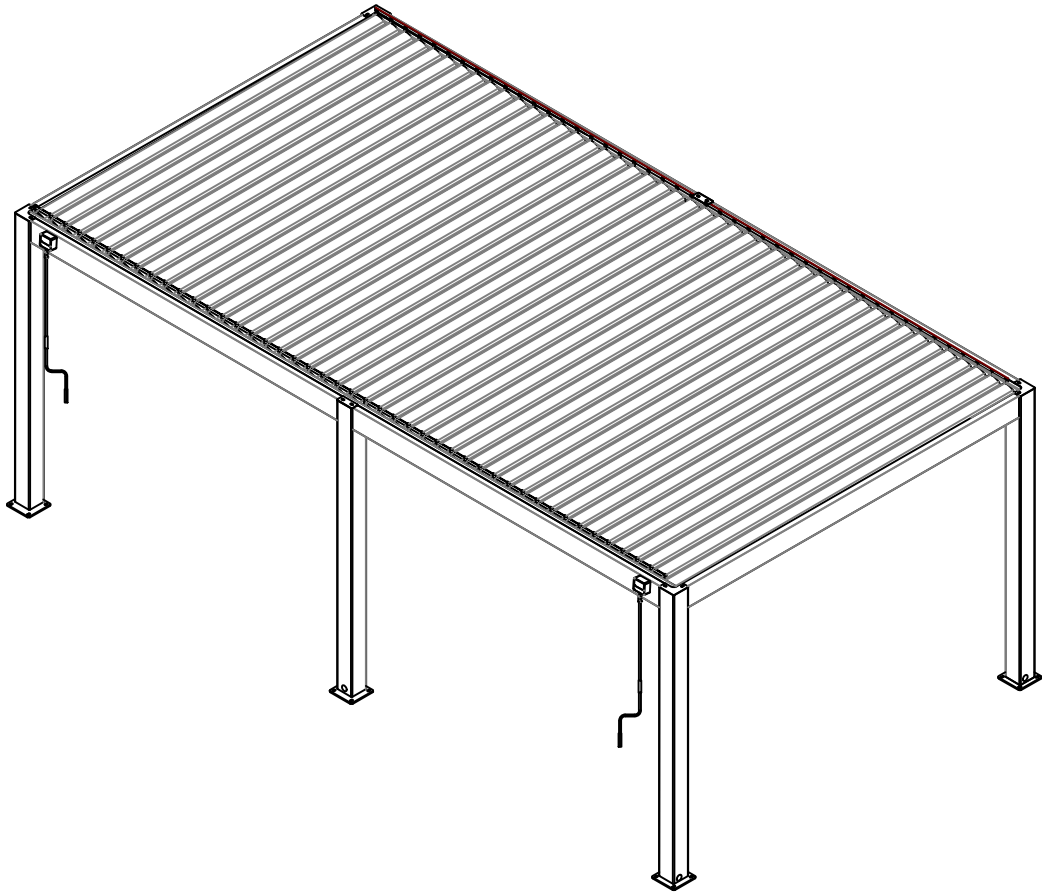




## KING PERGOLA FREE STANDING 6 POSTS

**3×6m**

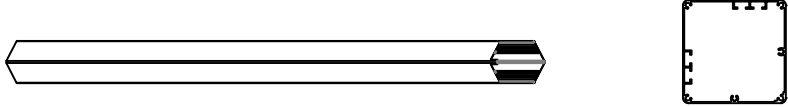
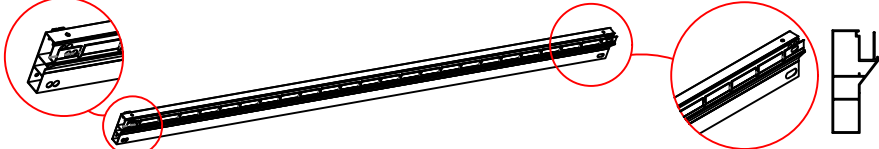
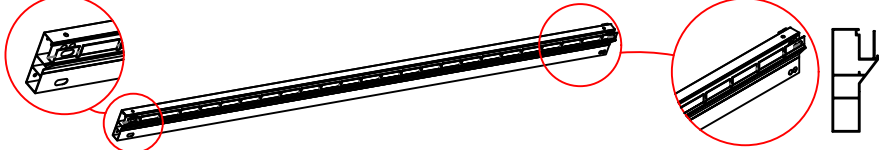
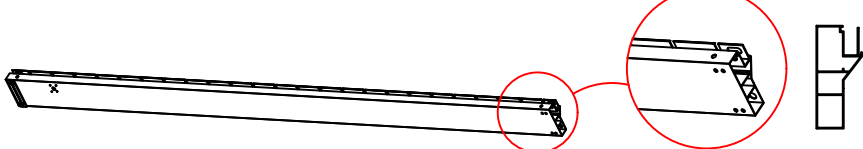
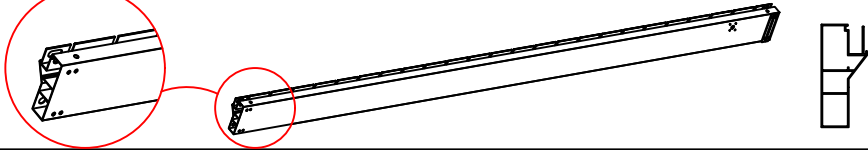
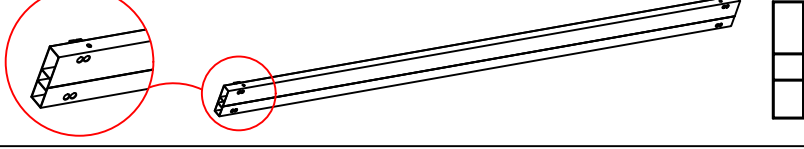
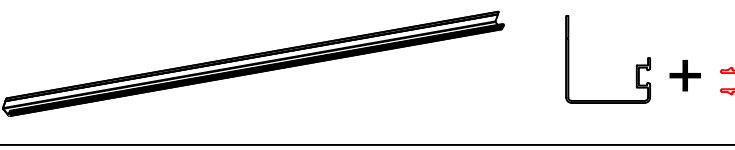

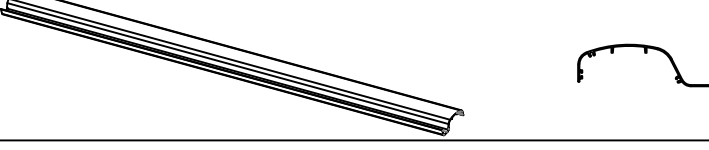


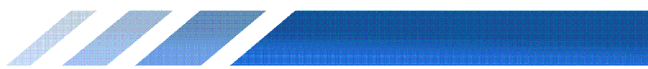


# 3×6m

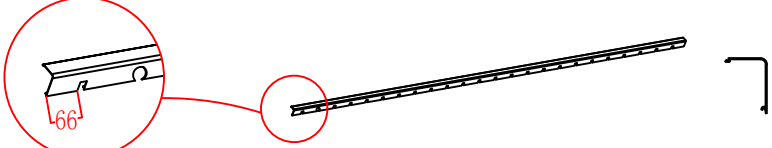
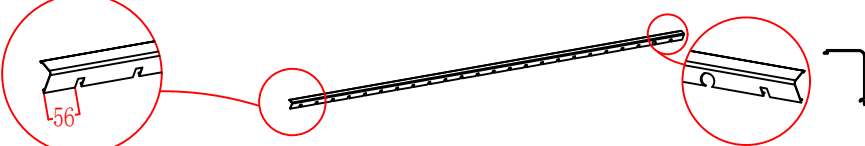
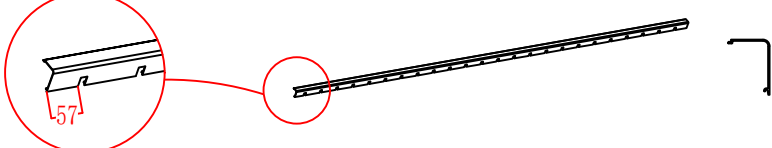
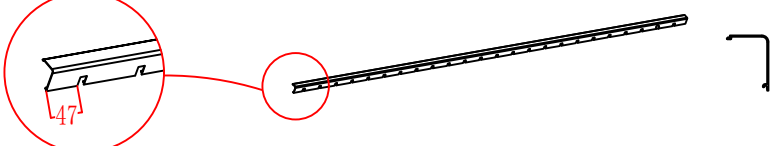
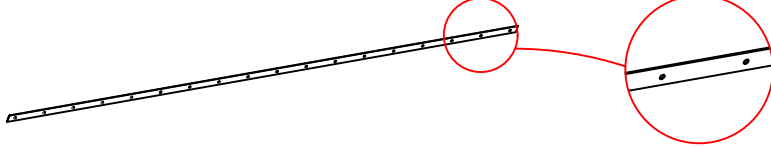
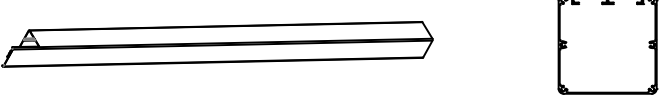
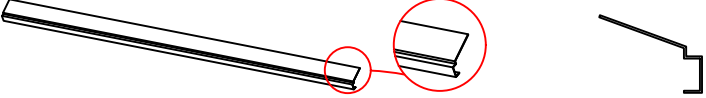
	Item	Qty	Item	Qty	Item	Qty
Carton 1/5	1B-01	4				
Carton 2/5	1B-27	2	1B-51	192+	1B-11	4
	1B-12	4	1B-13	4	1B-13B	2
	1B-14	2	1B-15	2	1B-18	1
	1B-19	12+	1B-20	96+	1B-21	24+
	1B-22	36+	1B-23	44+	1B-24	1
	1B-26	2	1B-16	2	1B-32	2
	1B-33	2	1B-48	48+	1B-49	46+
	1B-50	2	1B-45	8	1B-46	8
	1B-63	4	1B-64	1		
Carton 3/5	1B-02	1	1B-02-2	1	1B-03	1
	1B-03-2	1	1B-29	4	1B-05	2
	1B-05-2	4	1B-08A	1	1B-08B	1
	1B-08C	1	1B-08D	1	1B-09	4
	1B-04	2				
Carton 4/5	1B-06	24				
Carton 5/5	1B-06	24				

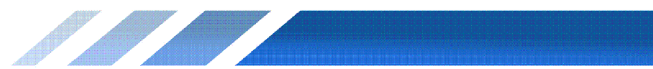


Item	Drawings	Qty
1B-01		4
1B-02		1
1B-02-2		1
1B-03		1
1B-03-2		1
1B-04		2
1B-05		2
1B-05-2		4
1B-06		48





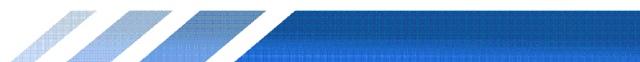
Item	Drawings	Qty
1B-08A		1
1B-08B		1
1B-08C		1
1B-08D		1
1B-09		4
1B-27		2
1B-29		4

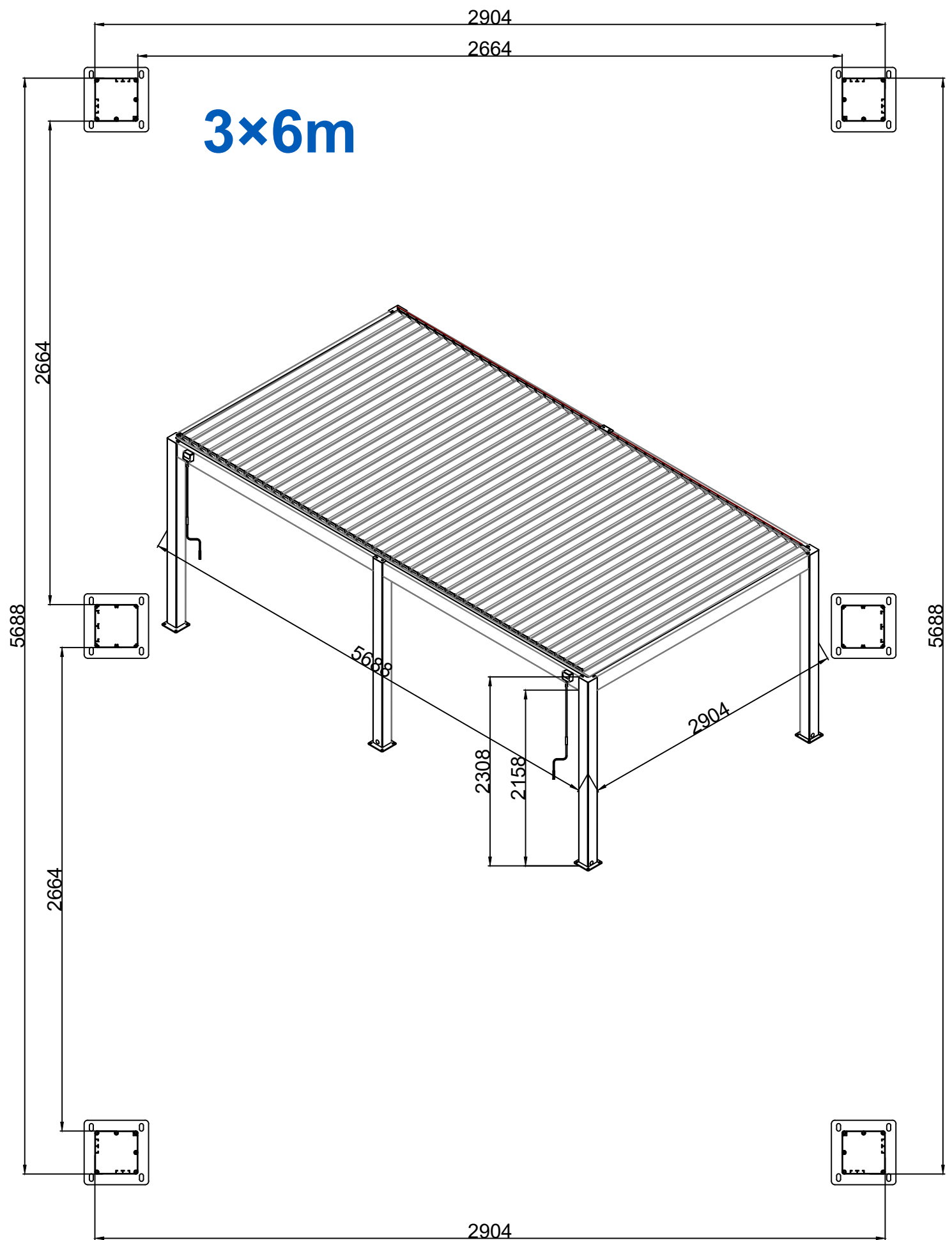




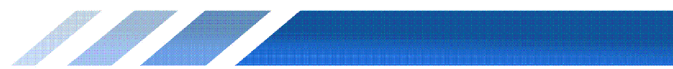
Item	Drawings	Qty
1B-11		4
1B-12		4
1B-13		4
1B-13B		2
1B-14		2
1B-15		2
1B-18		1
1B-19	 M8*20	12+
1B-20		96+
1B-21	 M10*80	24+
1B-22	 M5.5*50	36+
1B-23	 M4.2*19	44+

Item	Drawings	Qty
1B-24		1
1B-26		2
1B-32		2
1B-33		2
1B-16		2
1B-48		48+
1B-49		46+
1B-50		2
1B-51	 M3.5*25	192+
1B-64		1
1B-45	 M8*12	8
1B-46	 Φ12-M8*12	8
1B-63		4

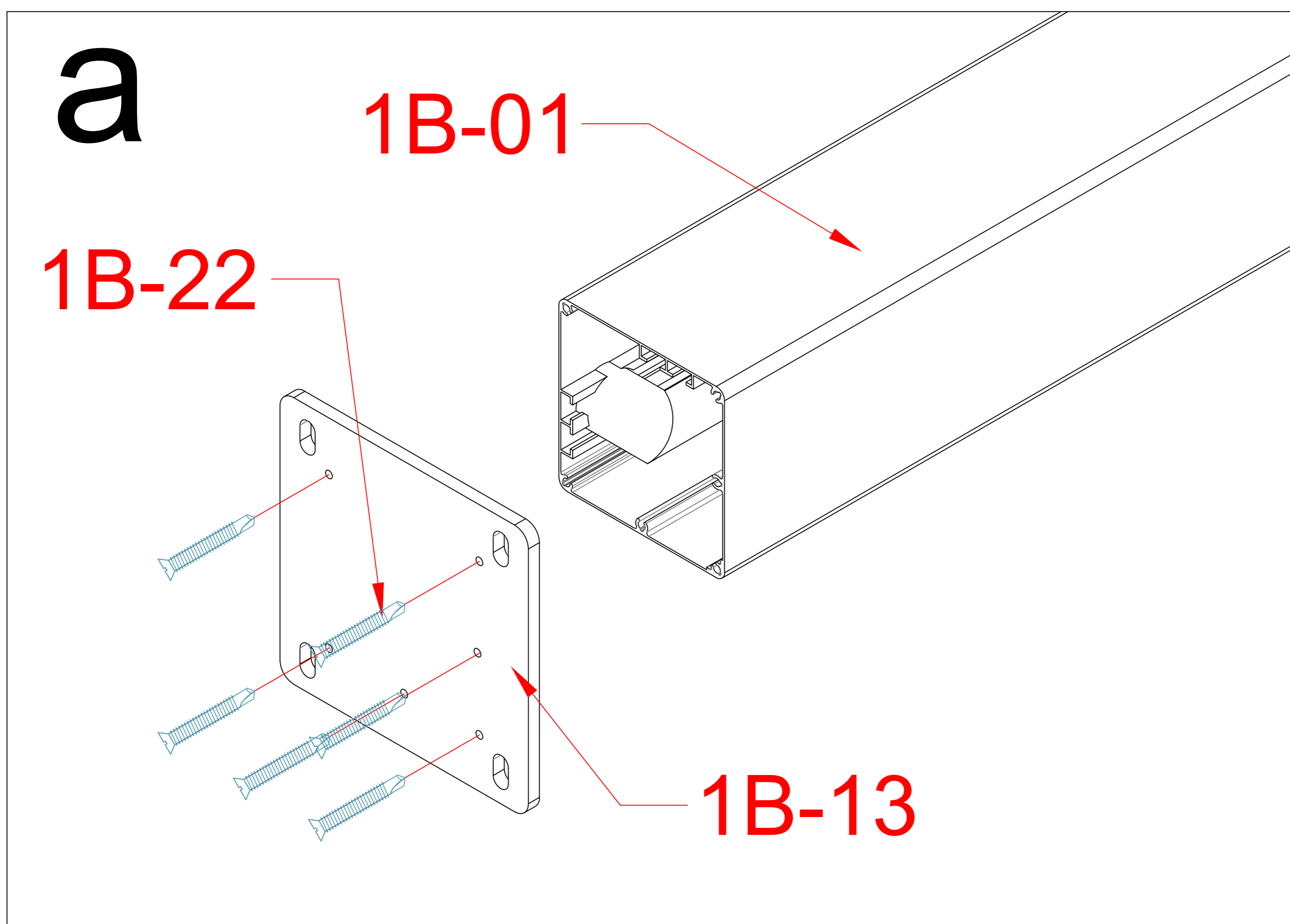




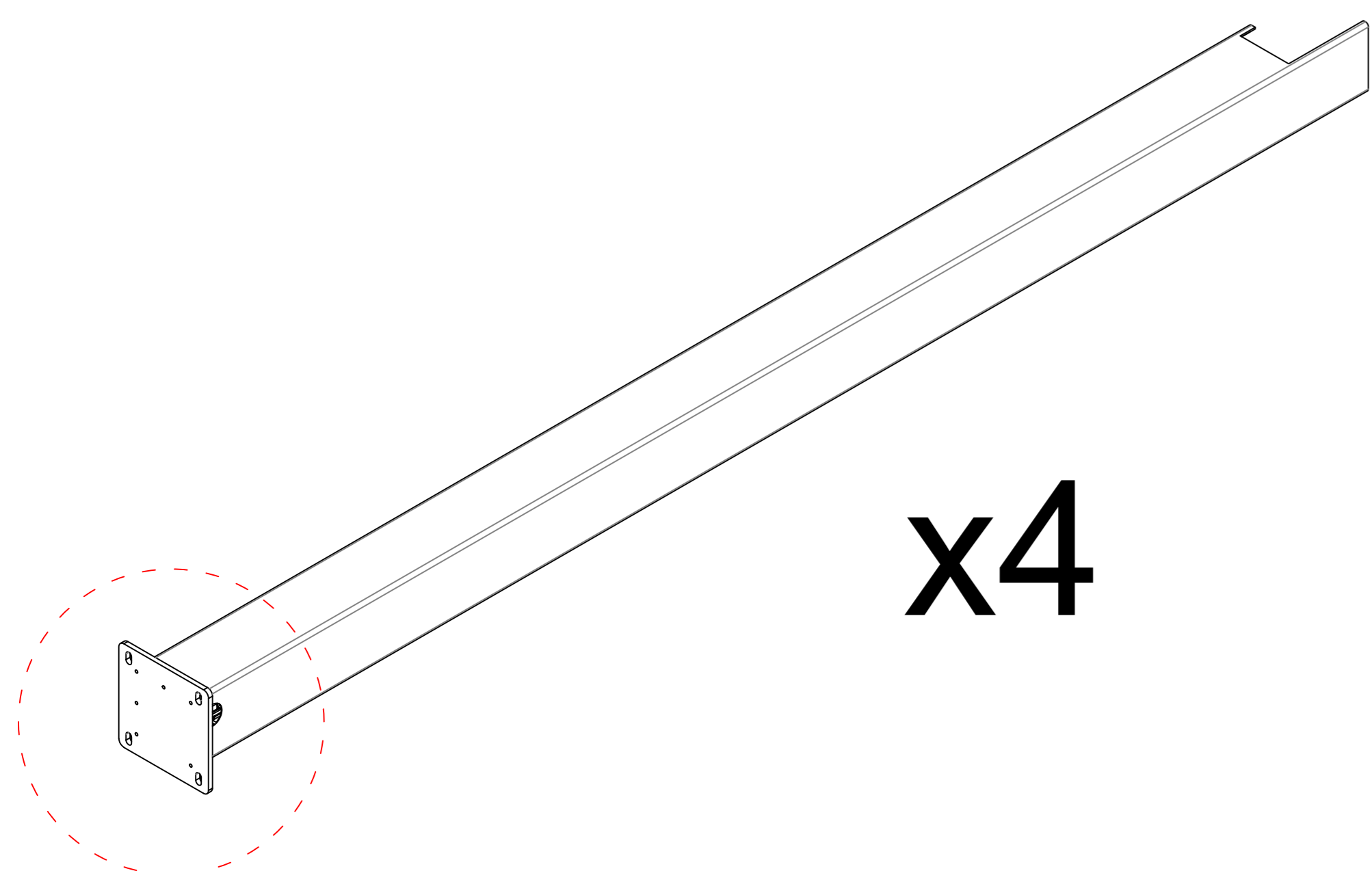
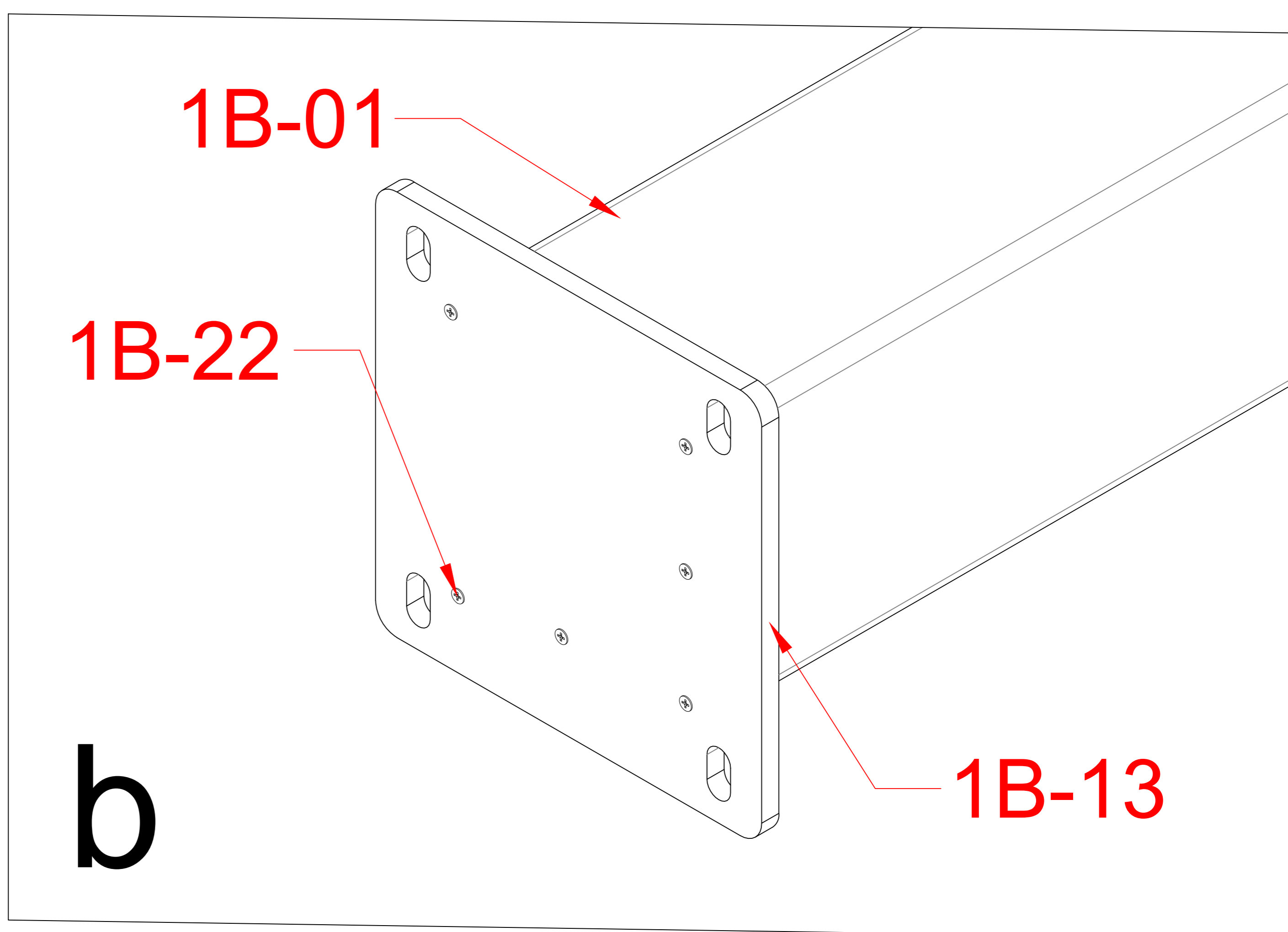
3x6-5







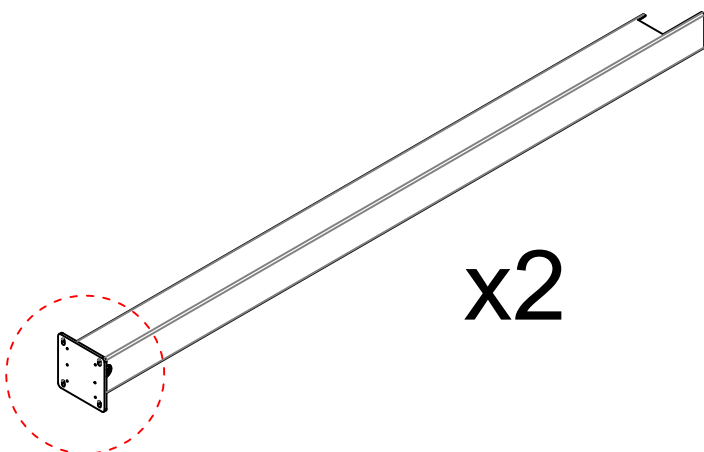
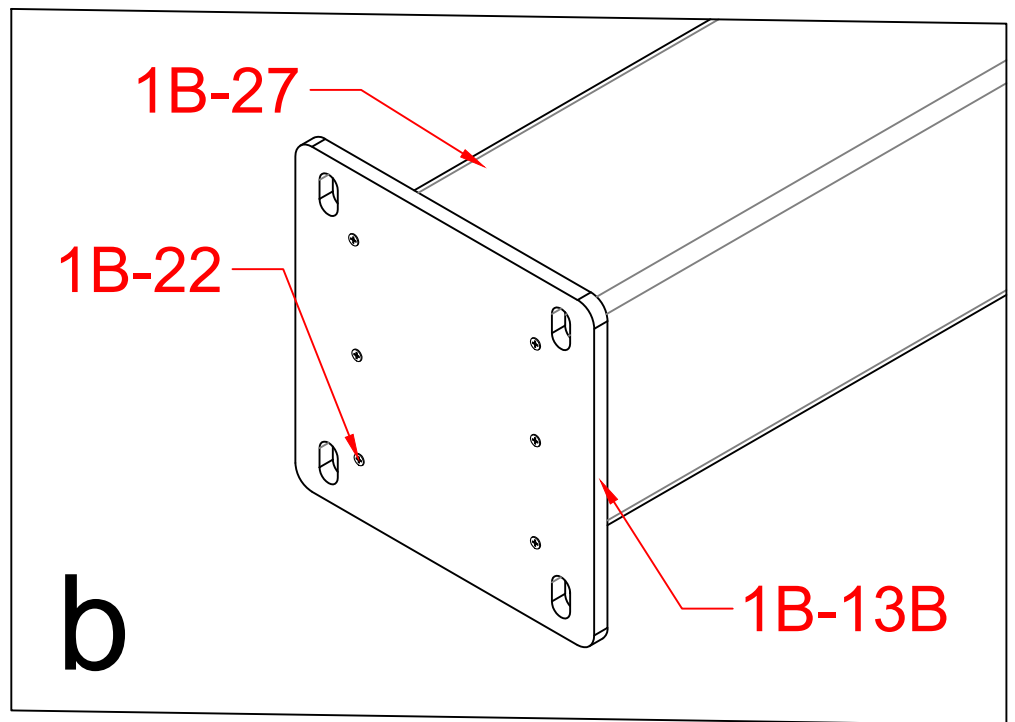
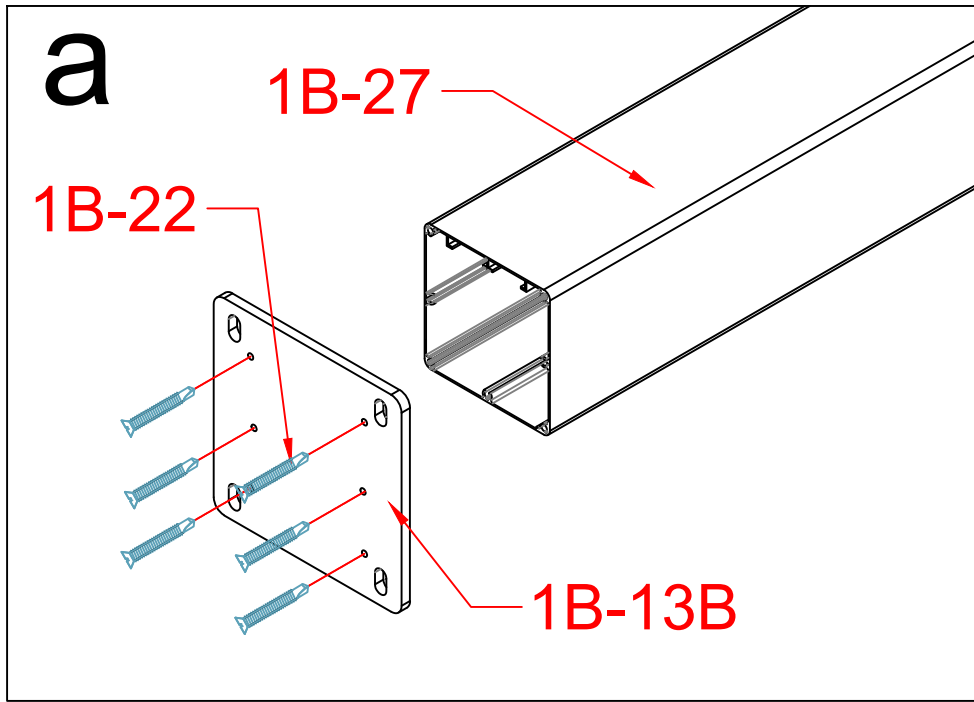
If there are electrical components including motor, blinds or LED light, Set the wire through the post firstly, otherwise it would be very difficult to do so after pergola was assembled.

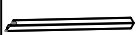




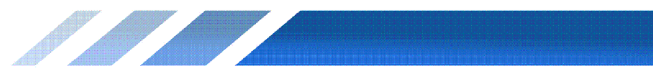
1B-01		4
1B-13		4
1B-22	 M5.5*50	24

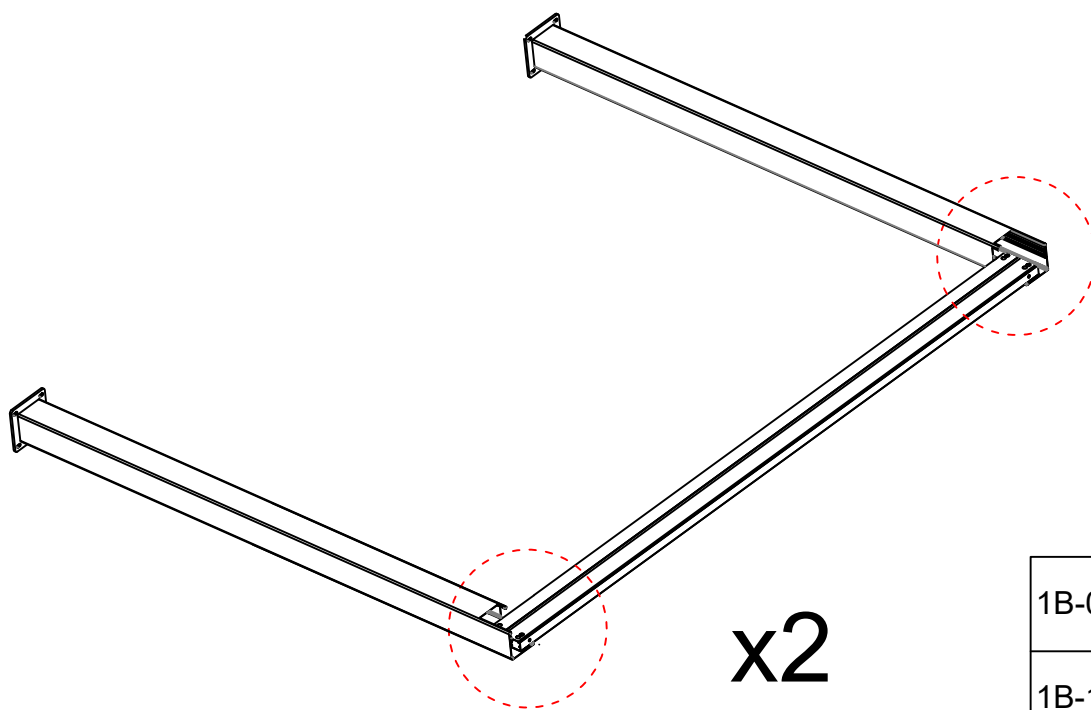
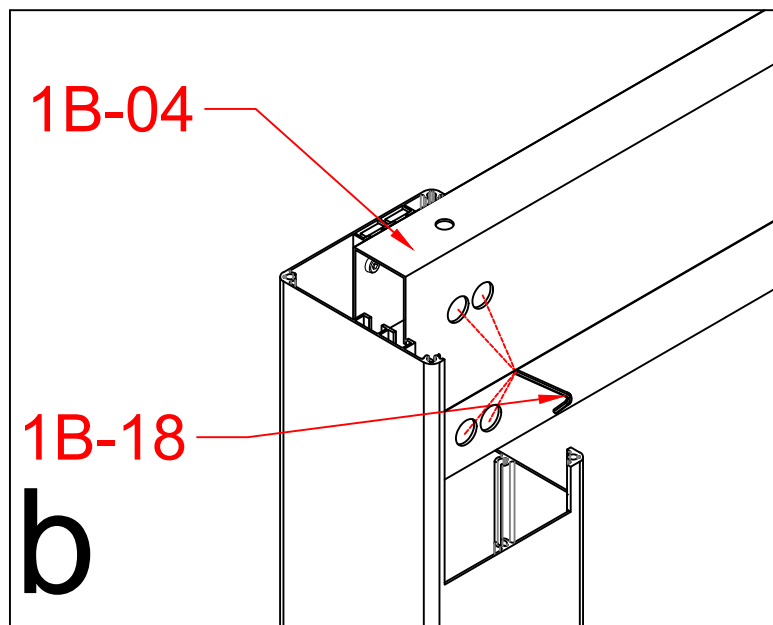
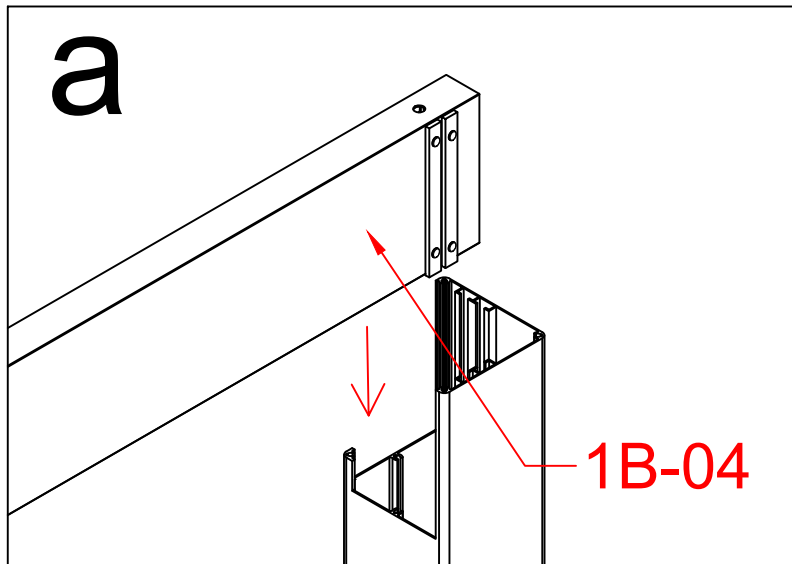




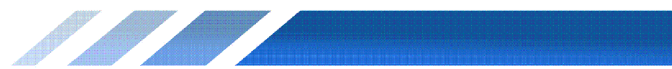


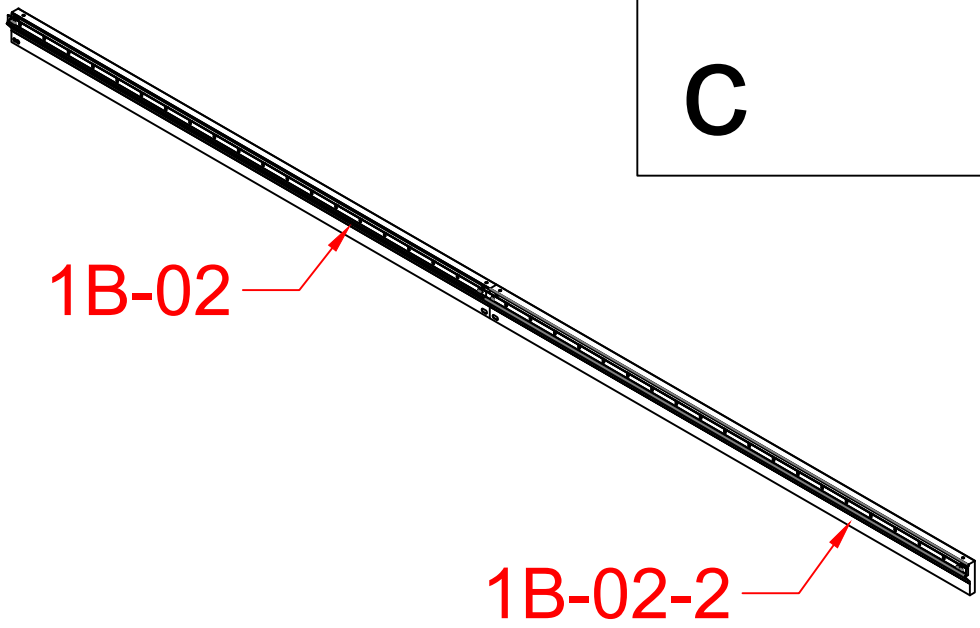
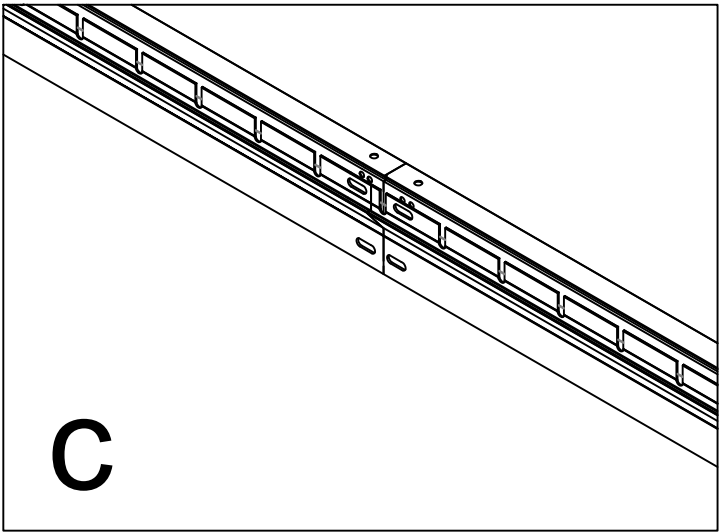
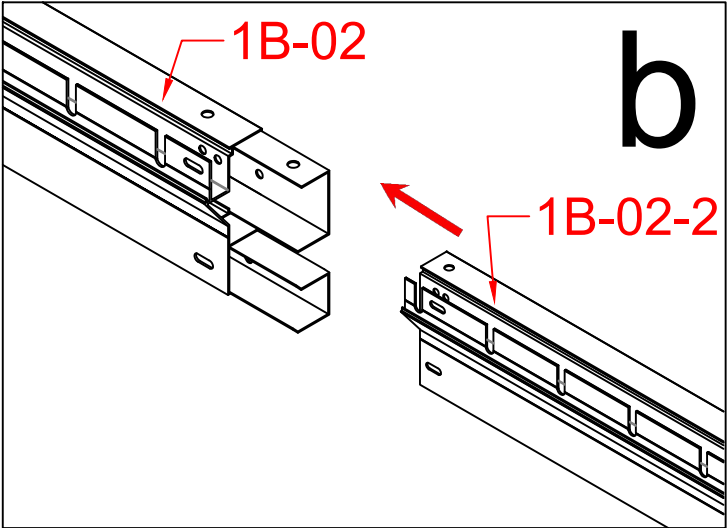
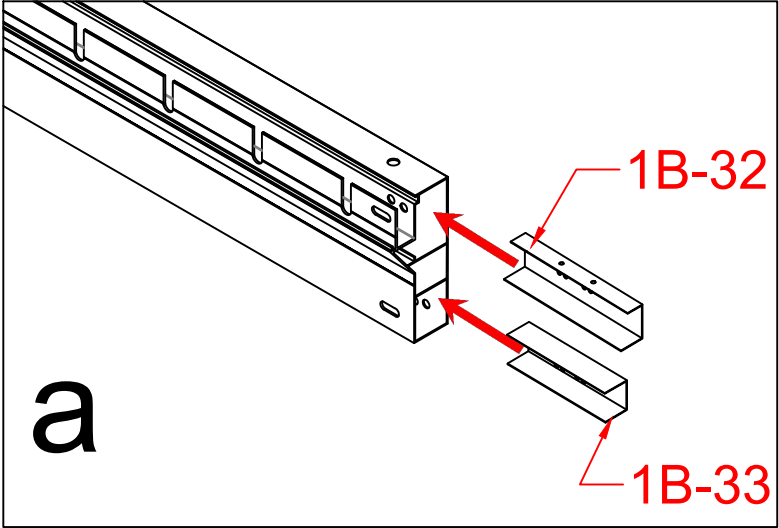
1B-27		2
1B-13B		2
1B-22	 M5.5*50	12



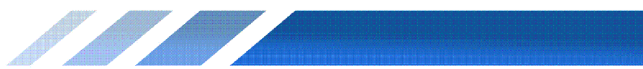


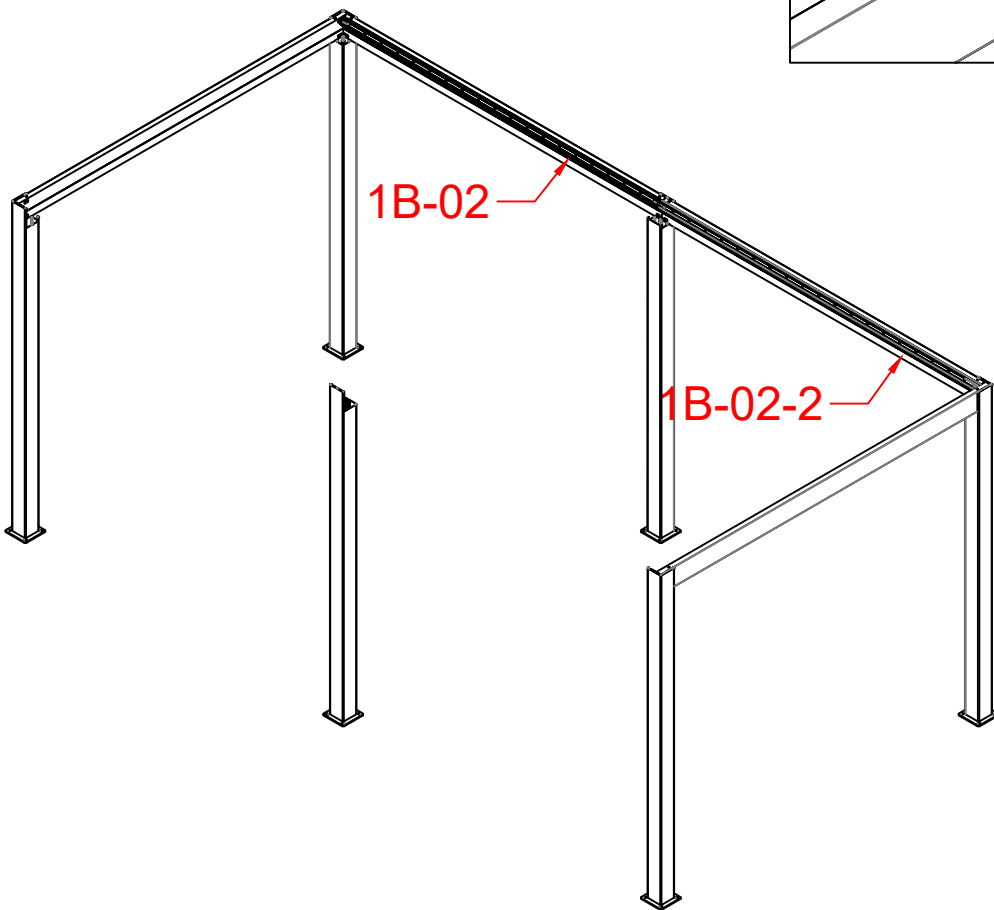
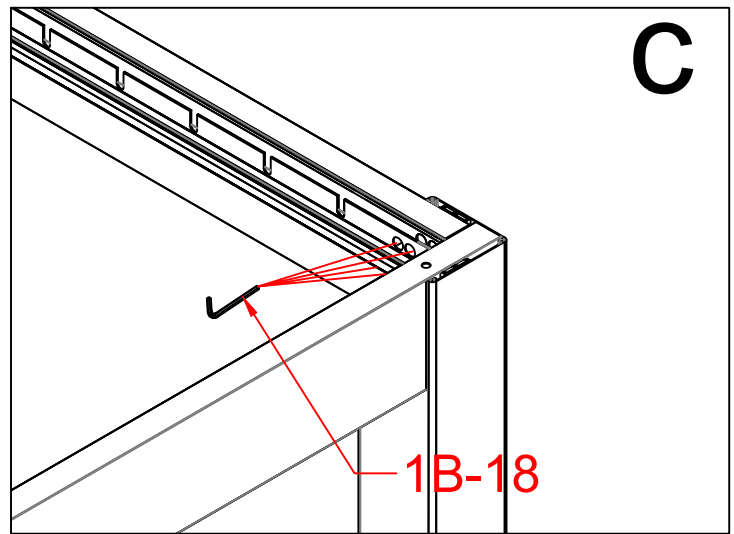
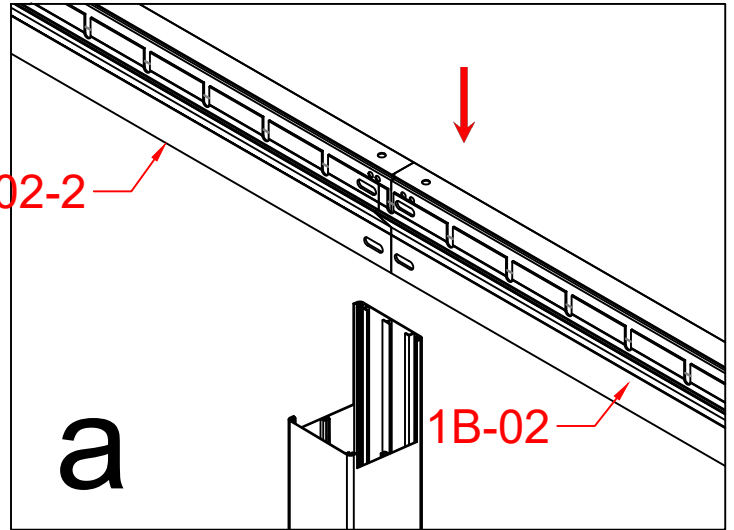
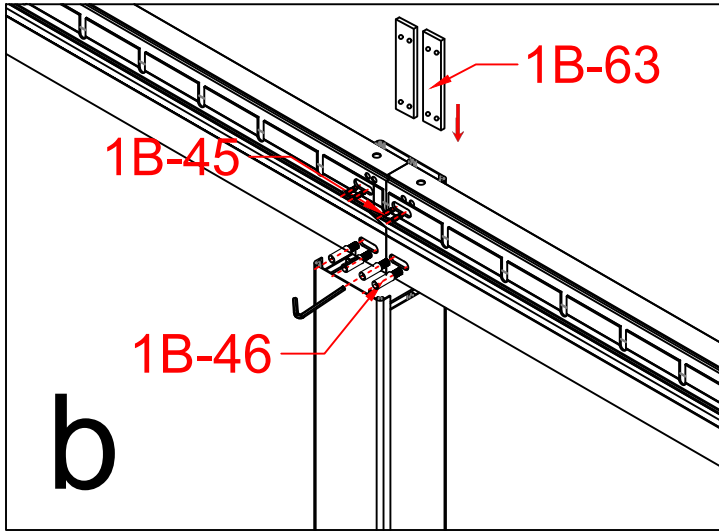
1B-04		2
1B-18		1

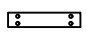





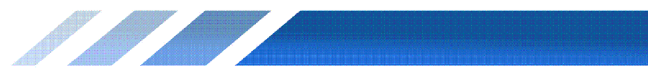


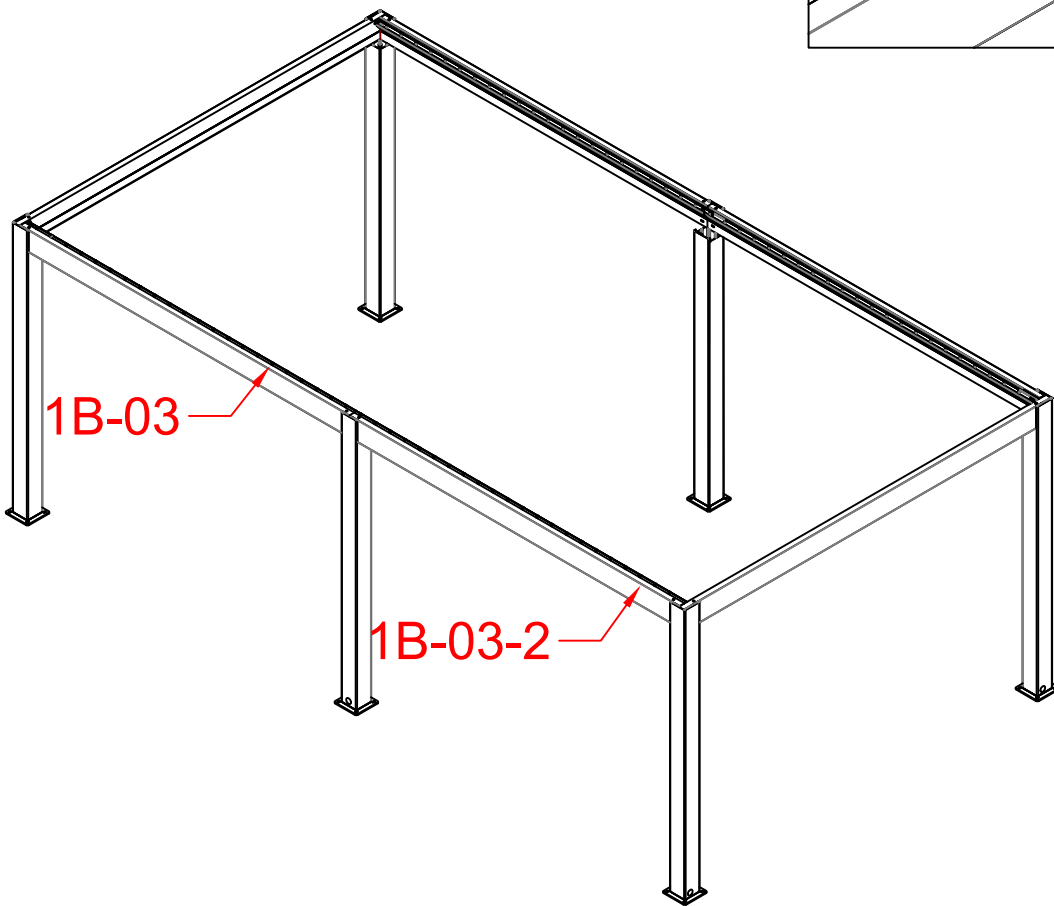
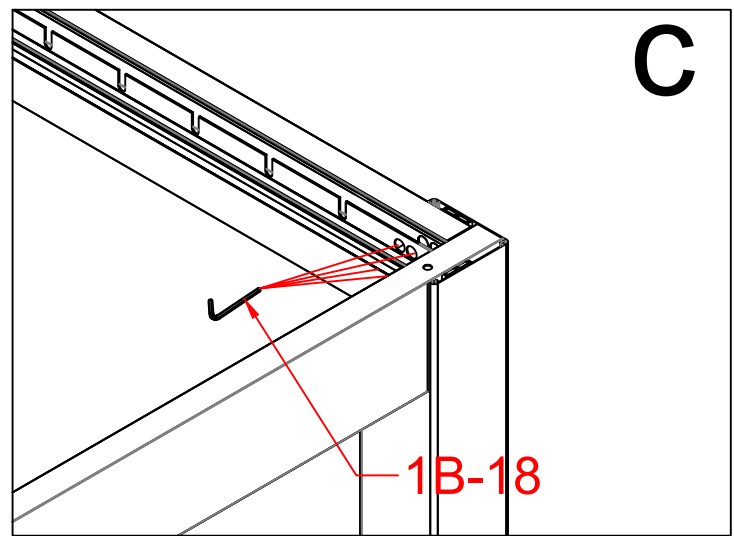
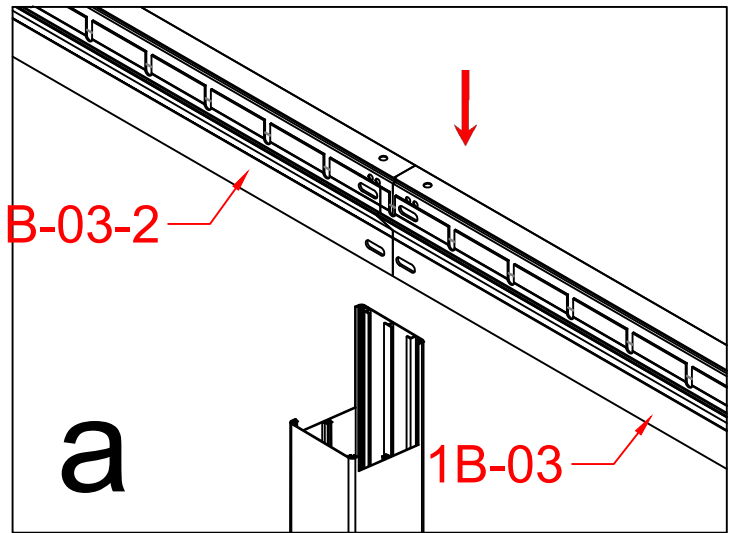
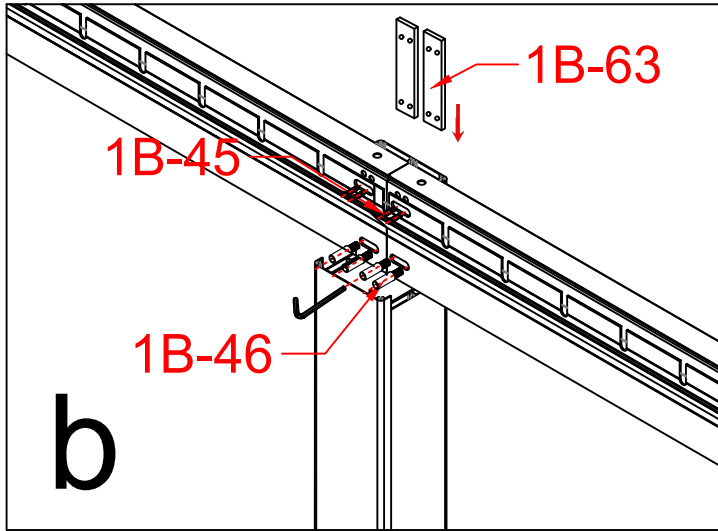
1B-02		1
1B-02-2		1
1B-32		1
1B-33		1



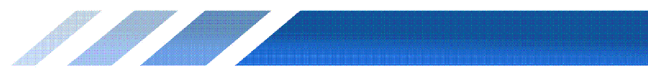


1B-63		2
1B-46		4
1B-18		1
1B-45		4

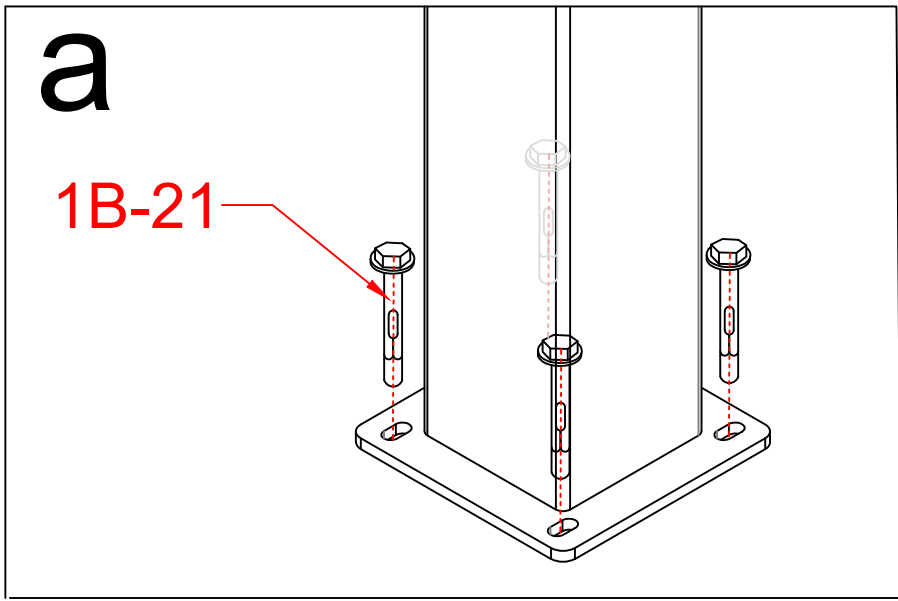




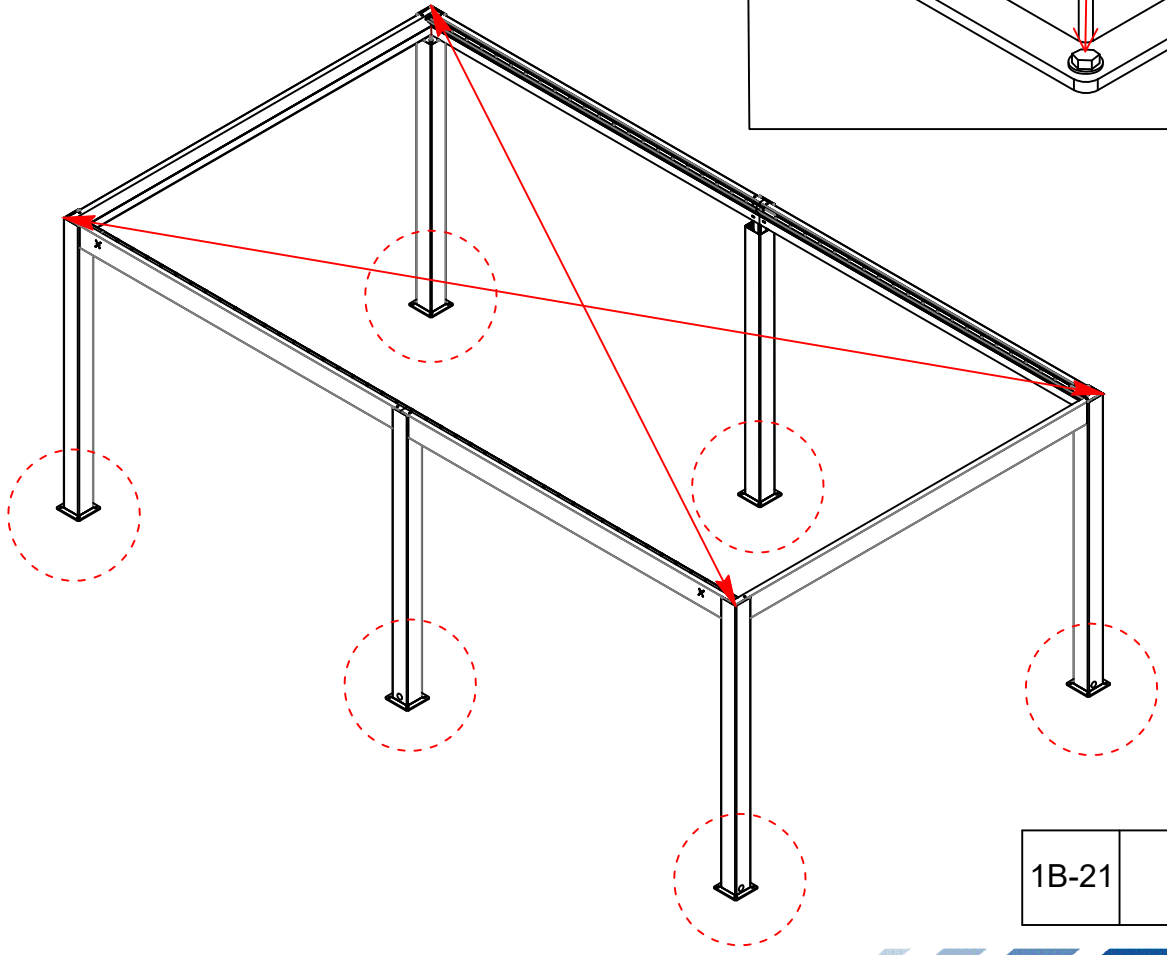
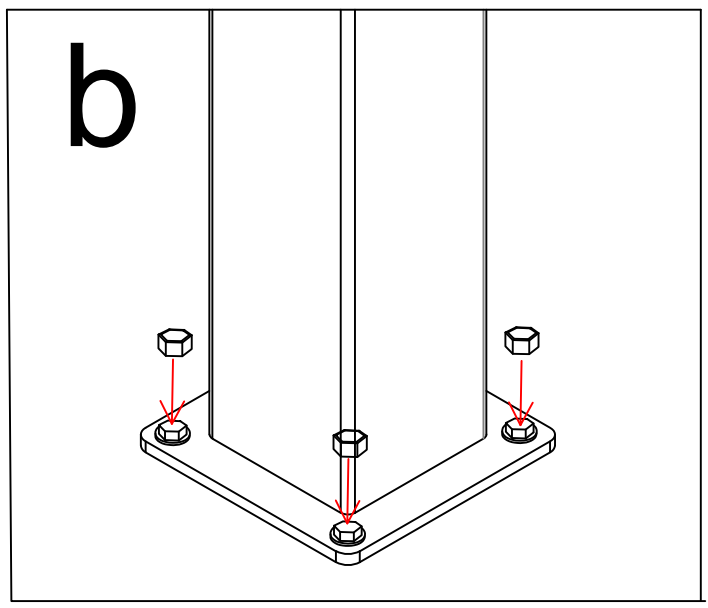
1B-63		2
1B-46		4
1B-45		4
1B-03		1
1B-03-2		1

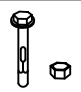


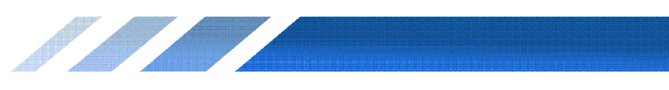


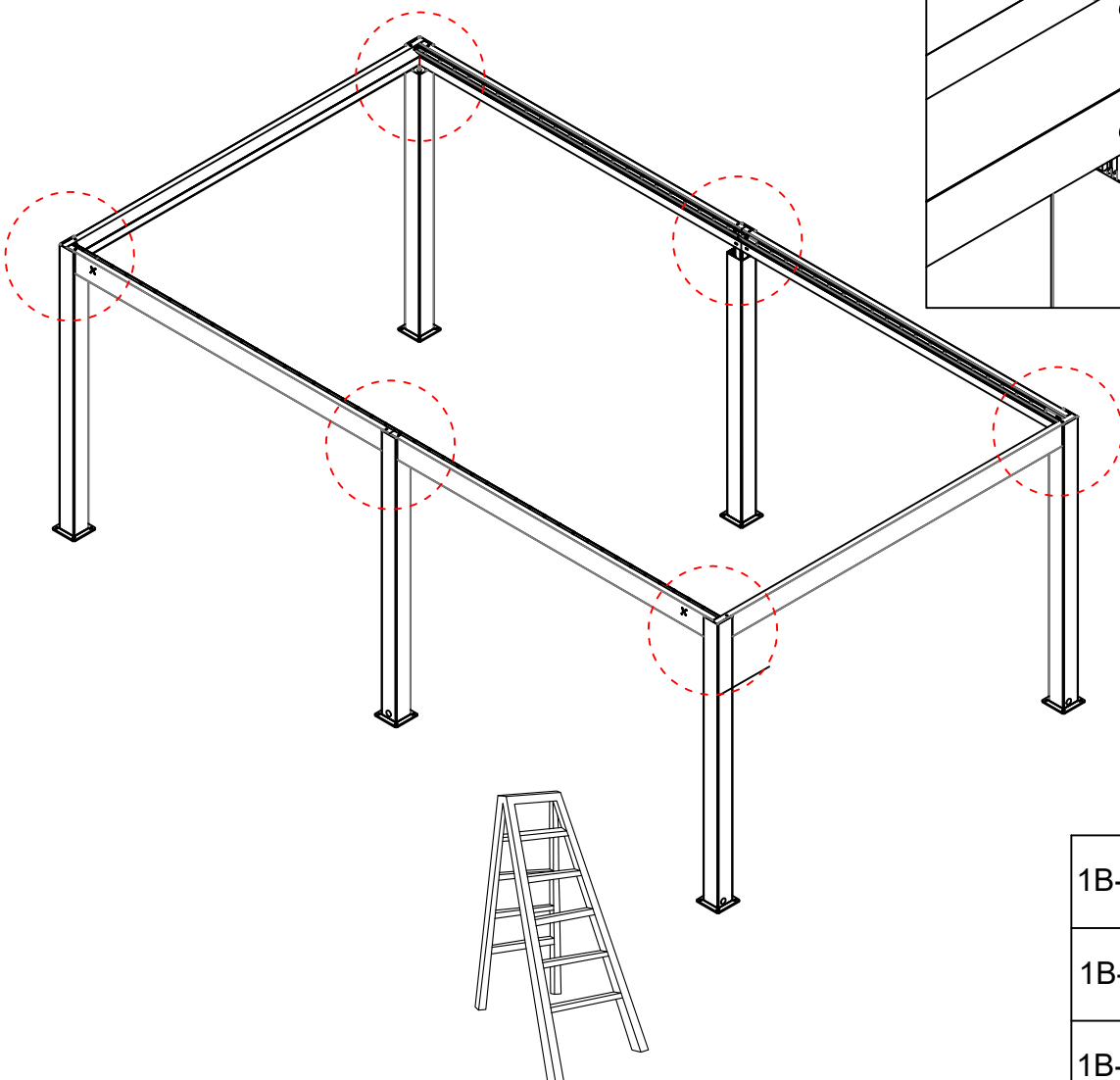
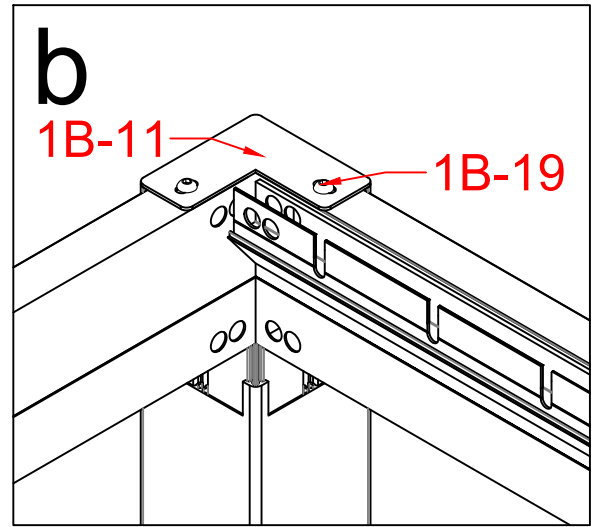
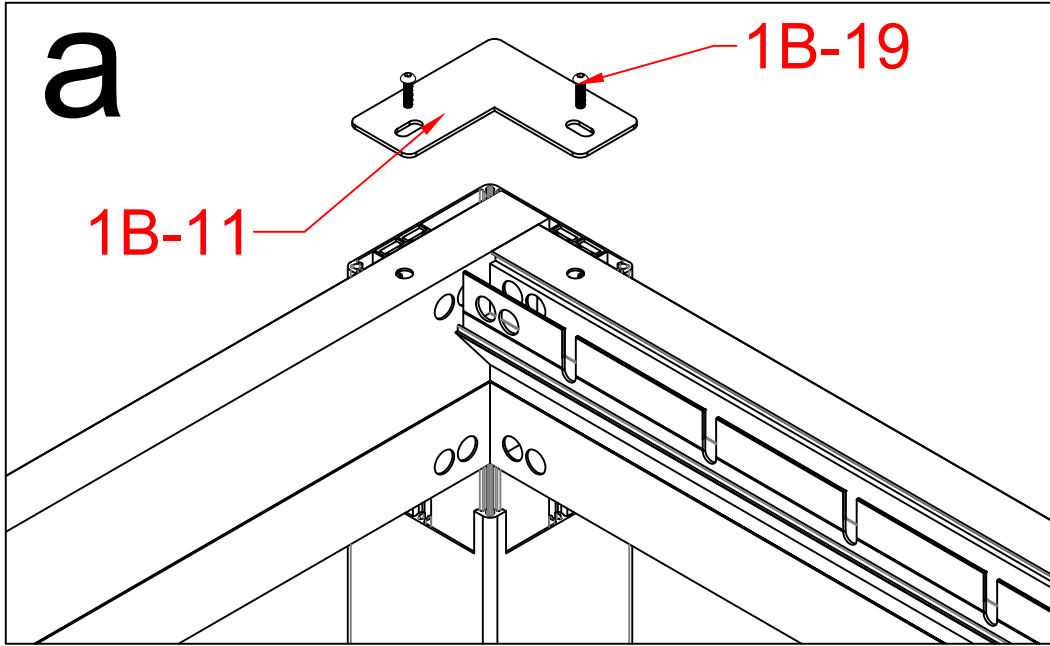


Pls measure the diagonal size and make sure the diagonal size keeps same before screw 1B-21 mounted. If not, pls adjust it to same size.

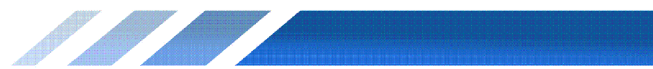


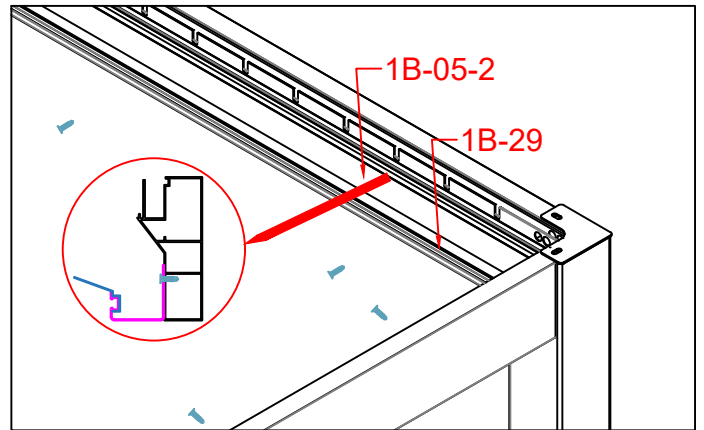
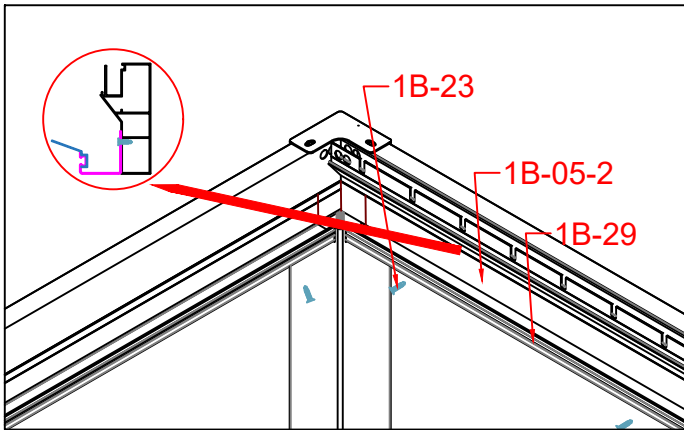
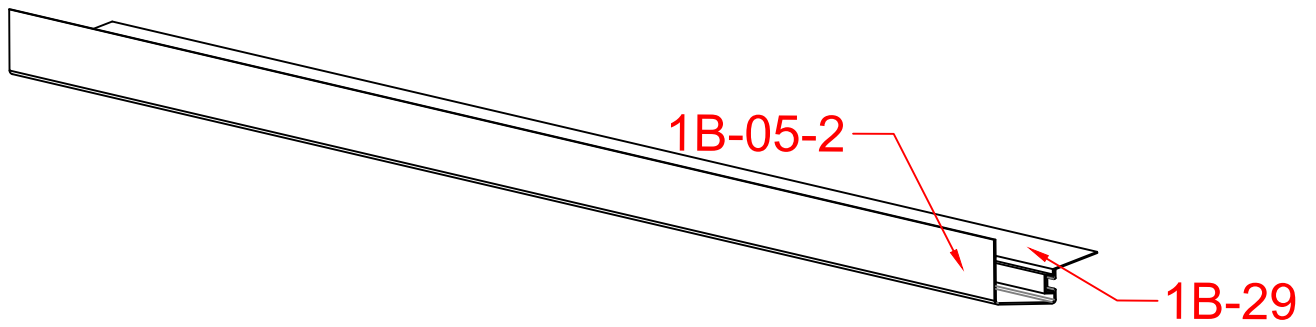
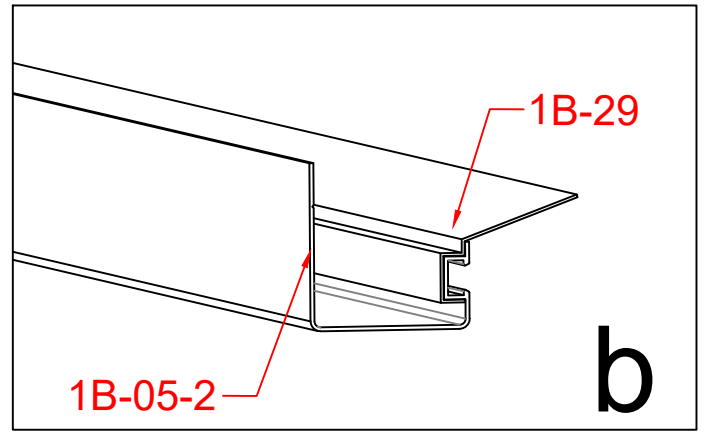
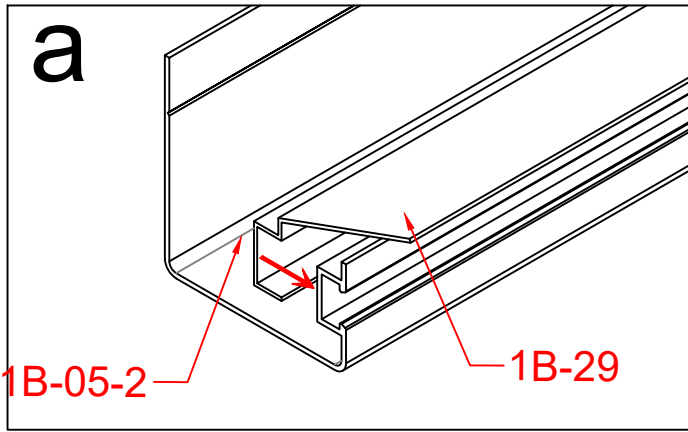
1B-21		24
-------	---	----






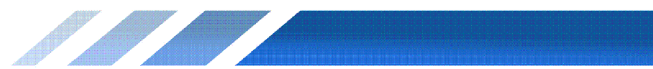


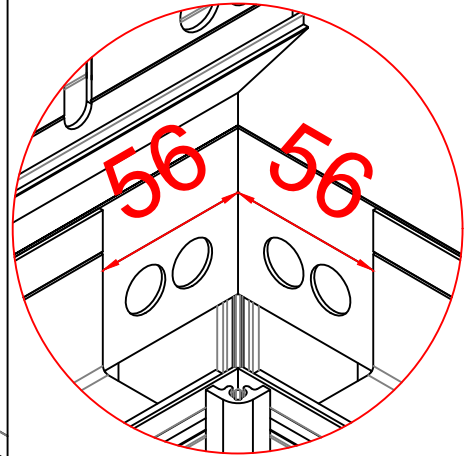
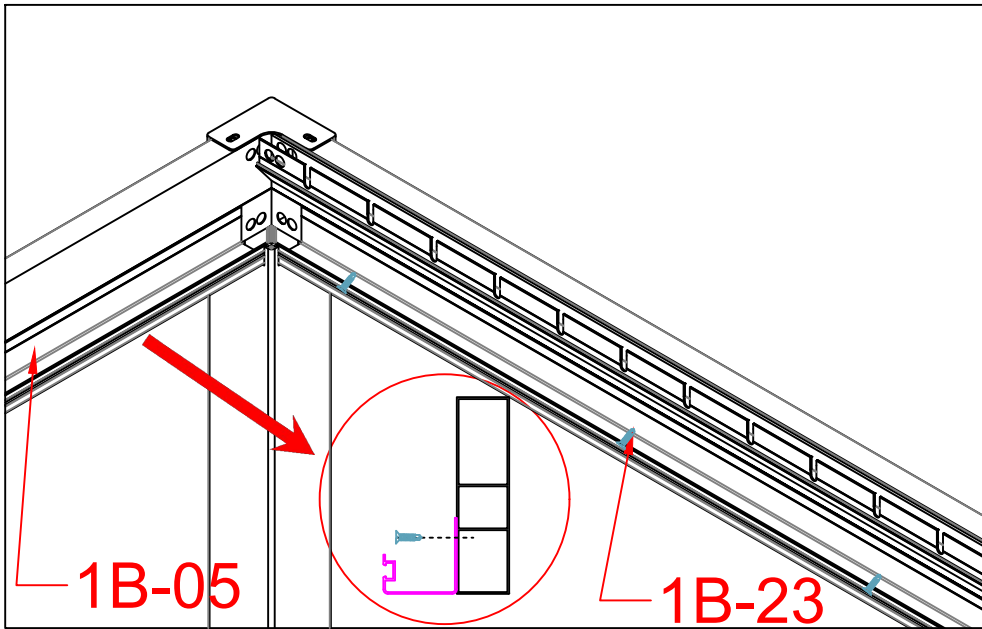
1B-26		2
1B-11		4
1B-19		12



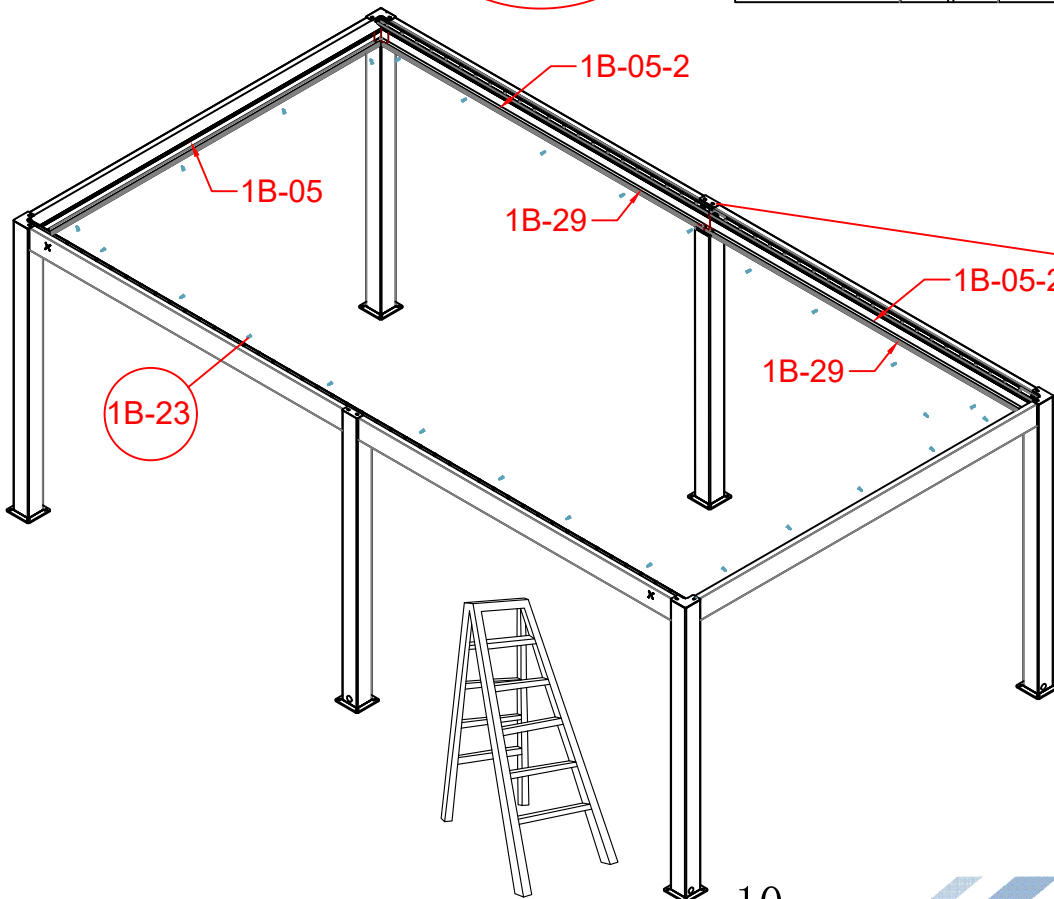
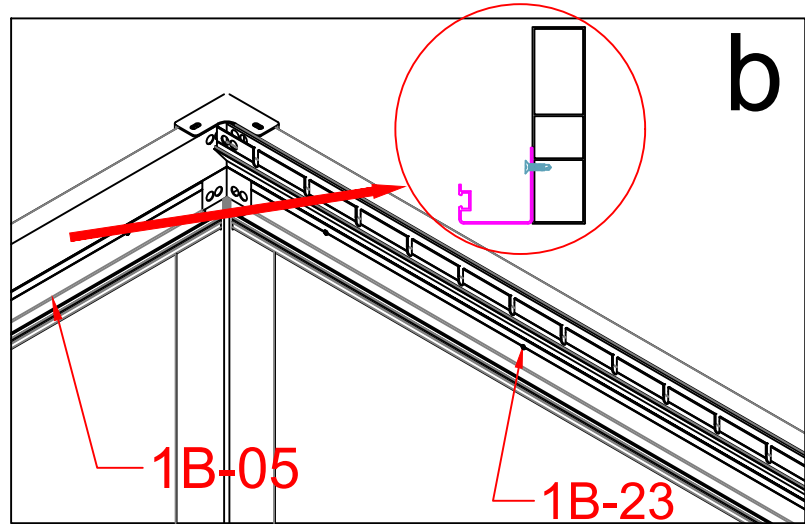
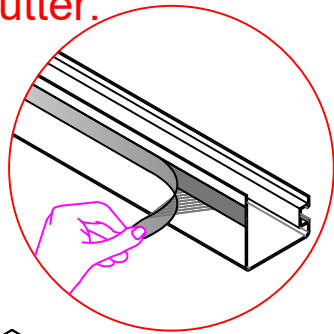


1B-23		16
1B-05-2		4
1B-29		4

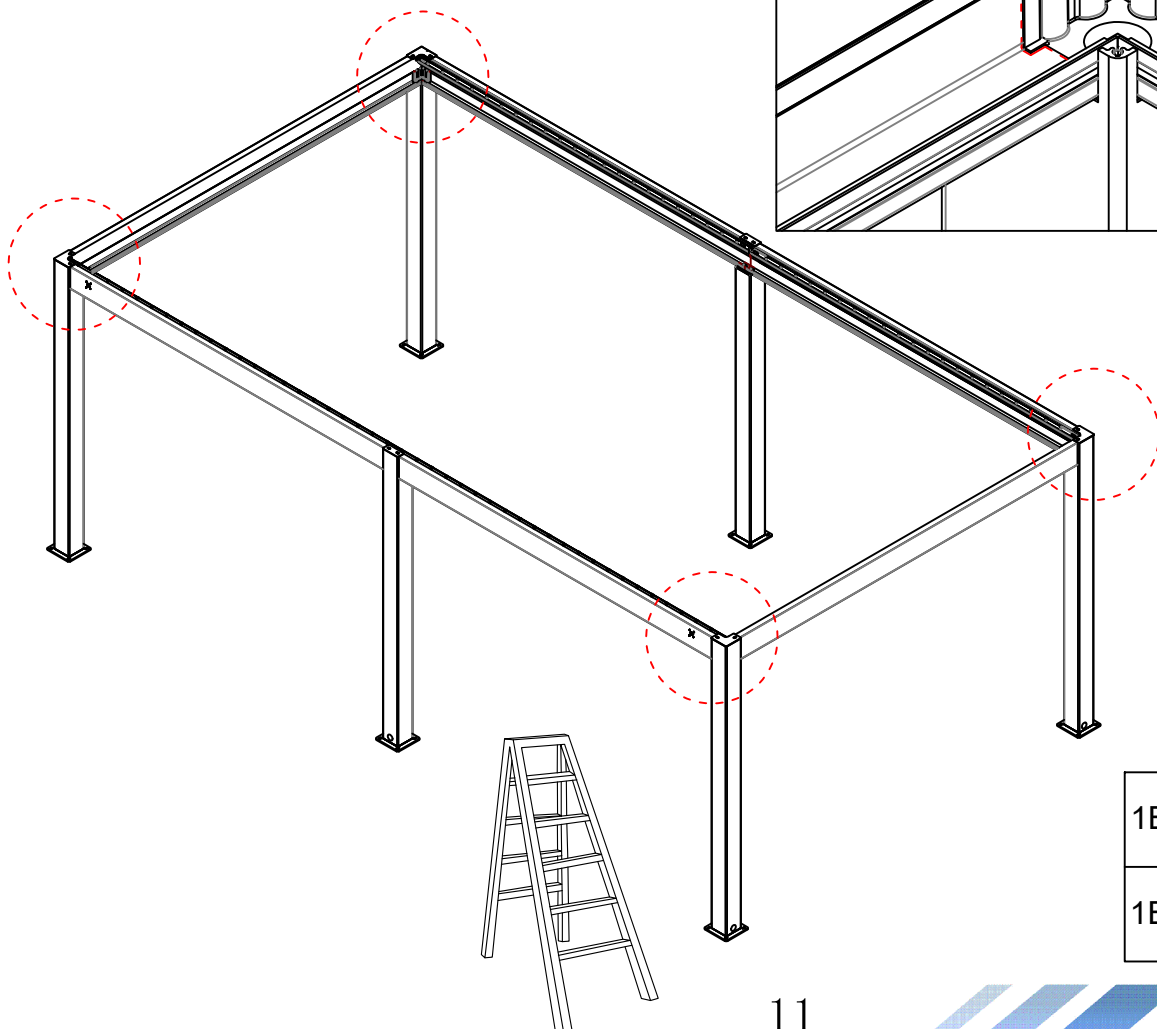
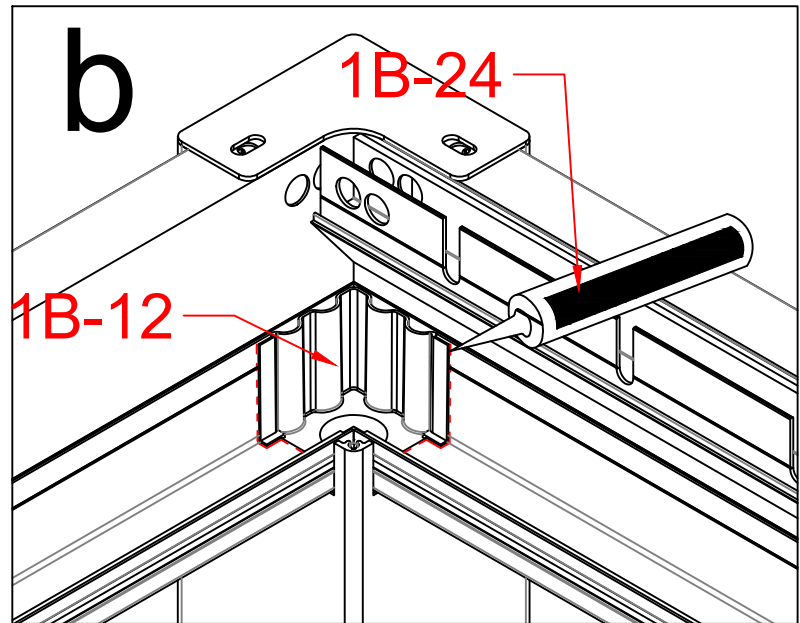
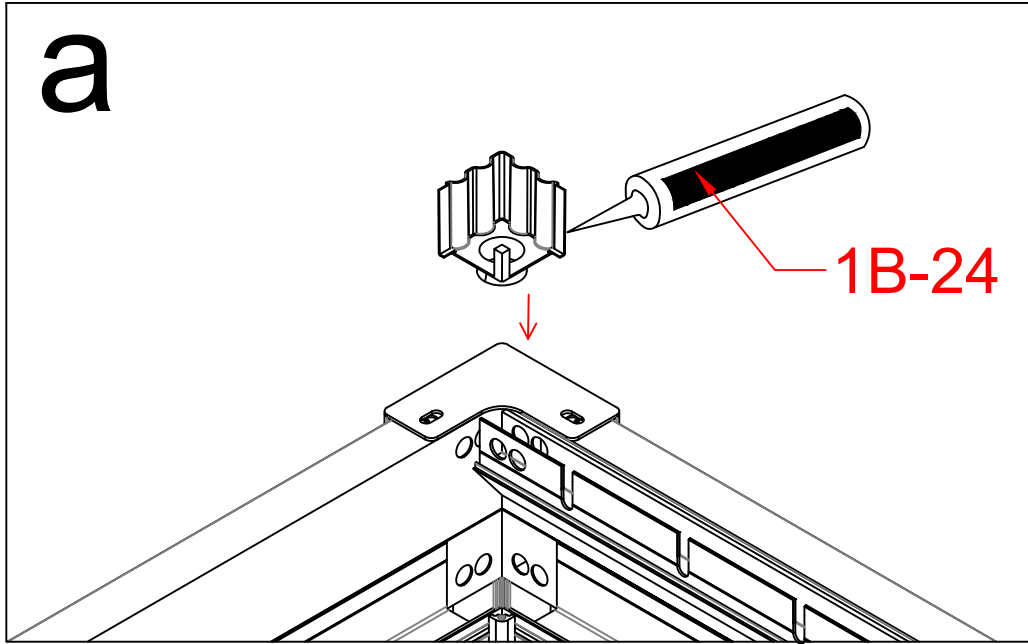






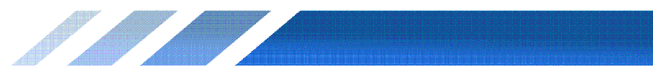
**Warning:**  
Before installation, tear off the protective film of the tape on the back side of Gutter.



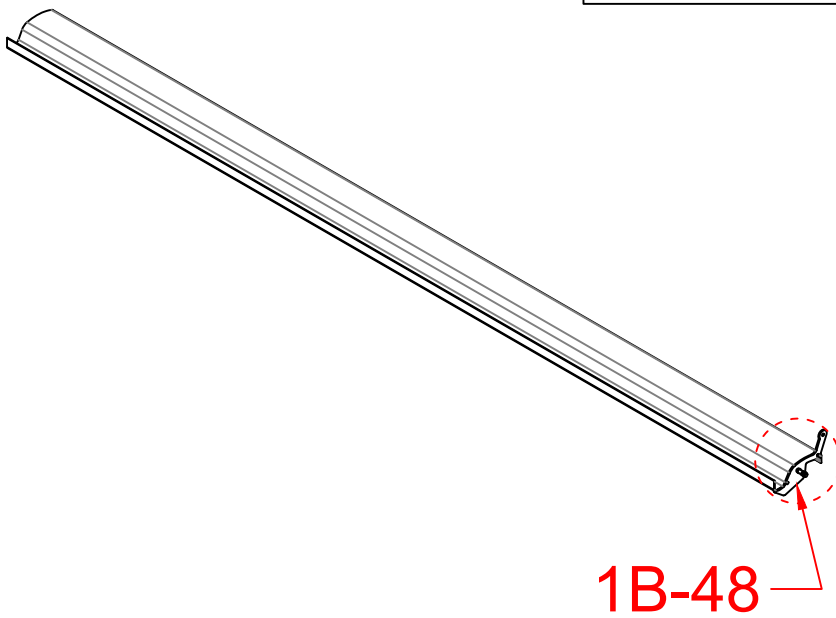
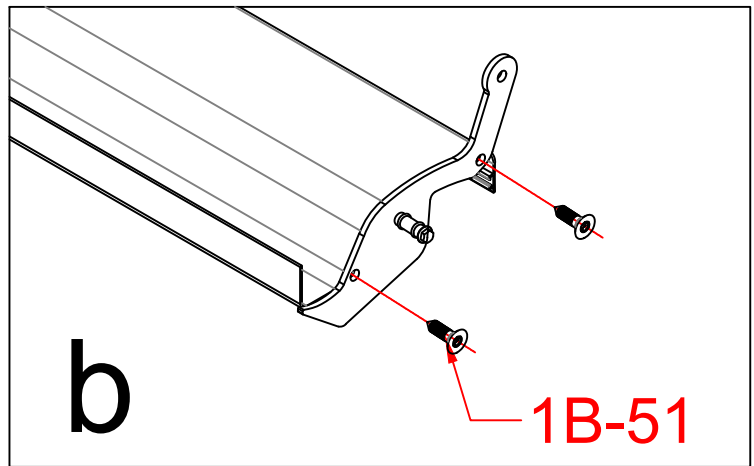
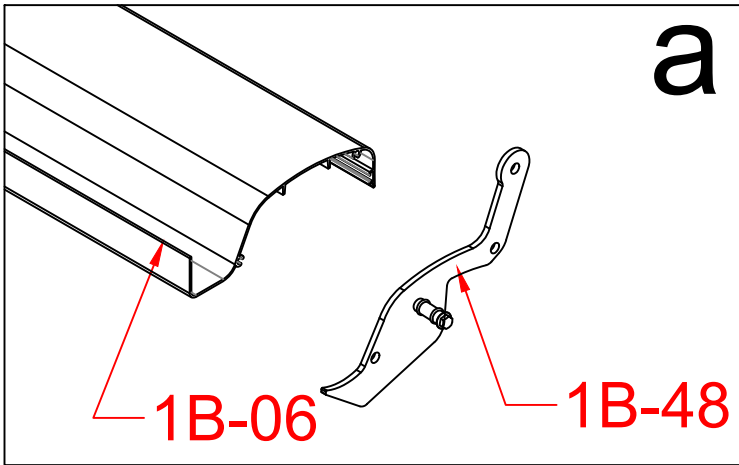
1B-05		2
1B-23		8



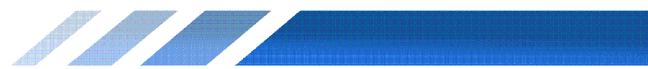
1B-24		1
1B-12		4

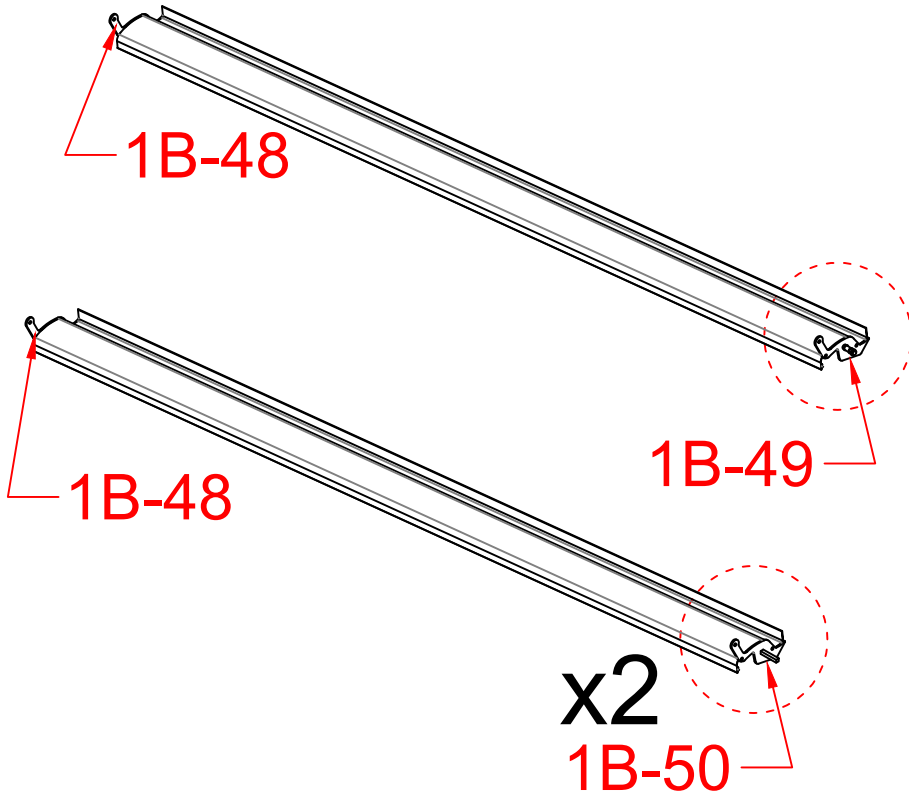
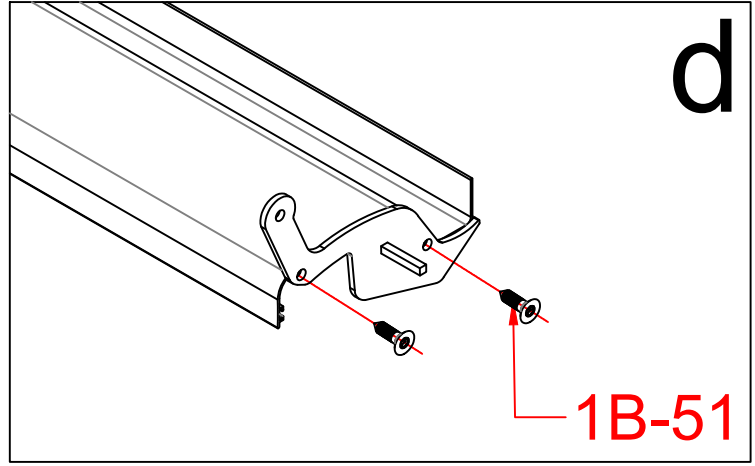
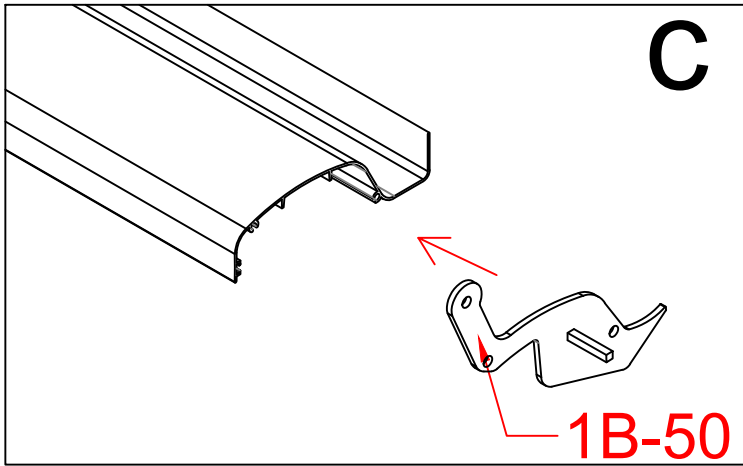
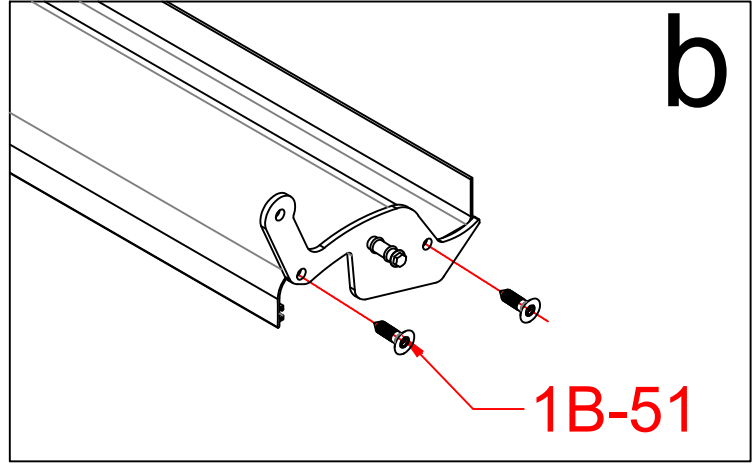
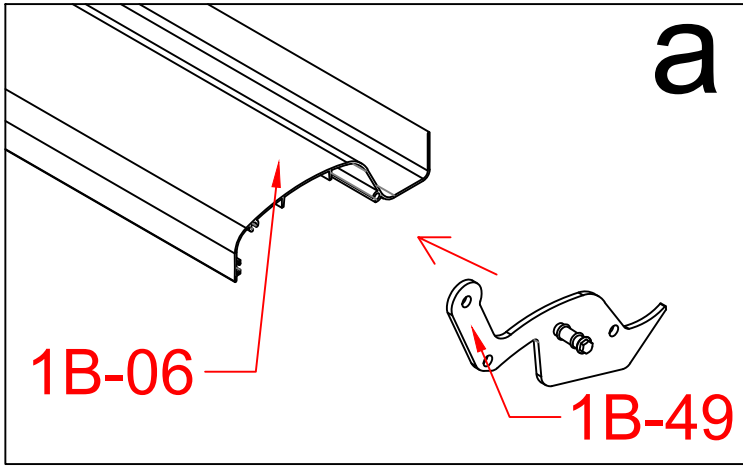




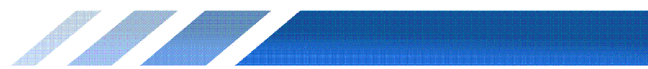


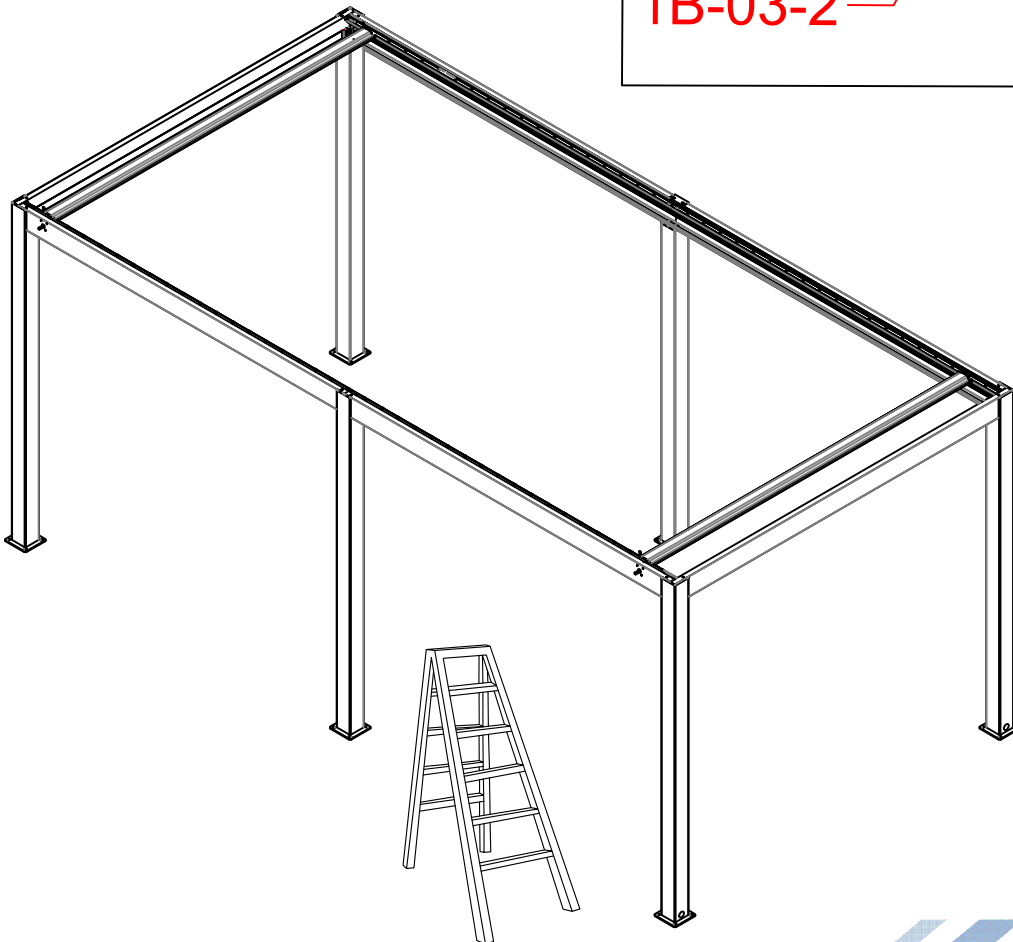
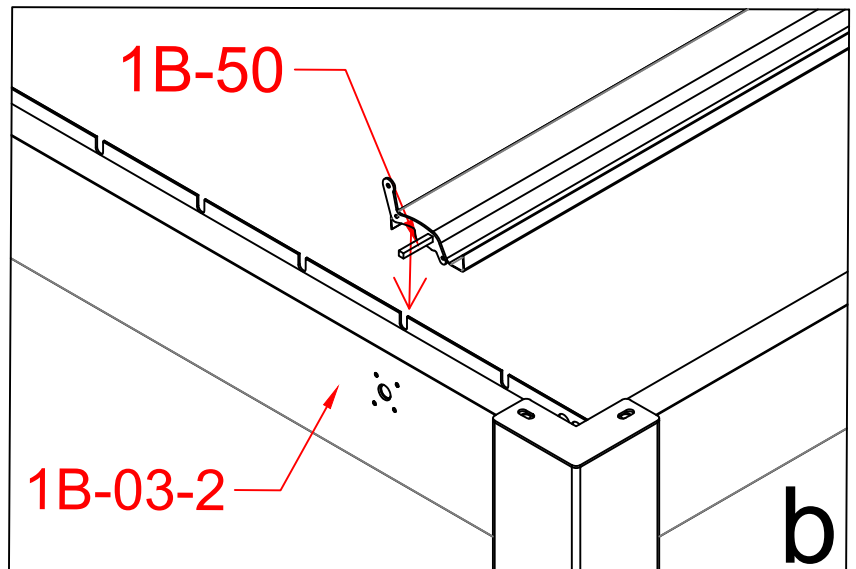
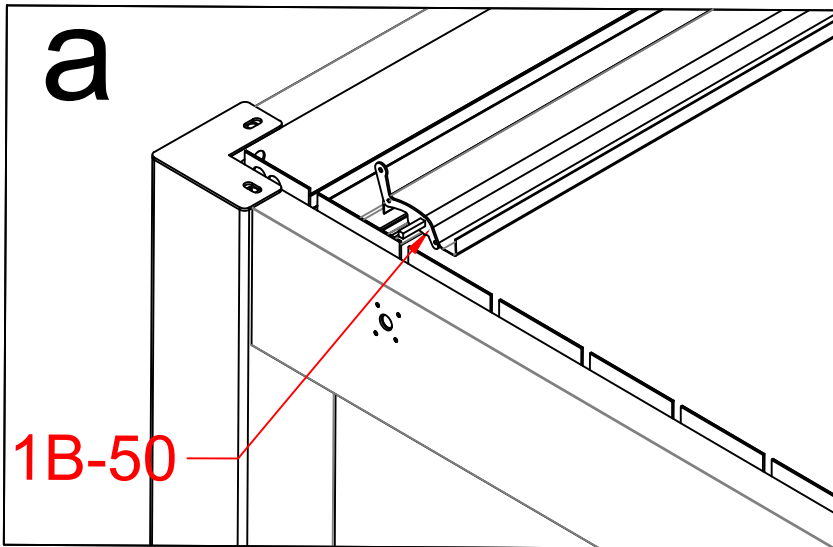
1B-64		1
1B-51	 M3.5*25	96
1B-06		48
1B-48		48



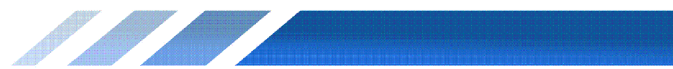


1B-49		46
1B-50		2
1B-51		96
1B-64		1



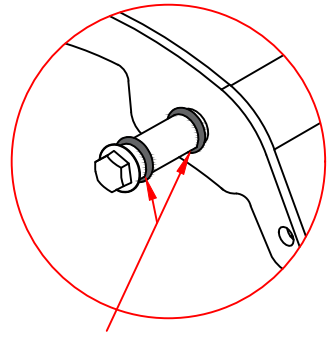
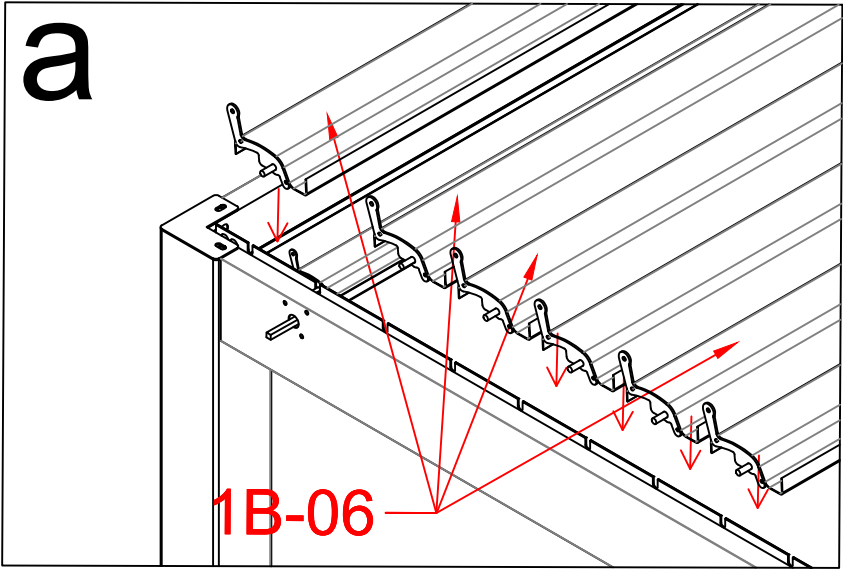


1B-06		2
-------	--	---

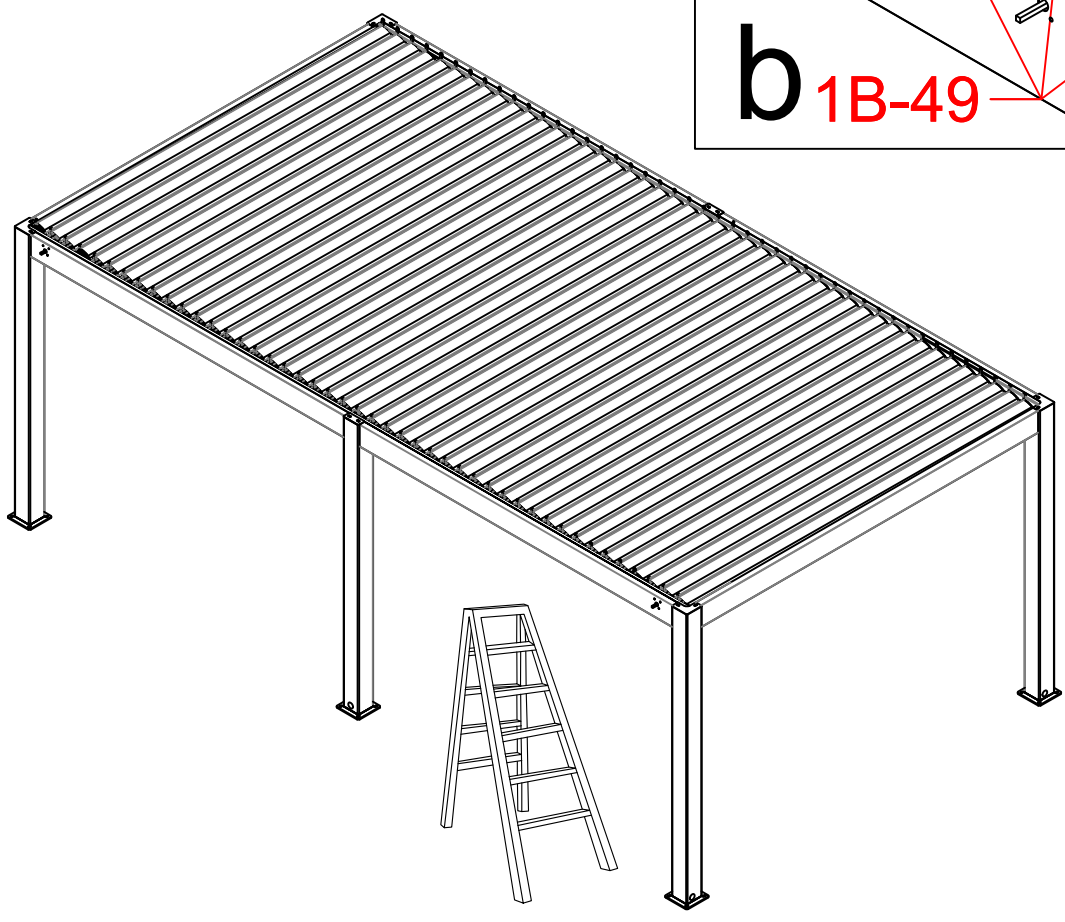
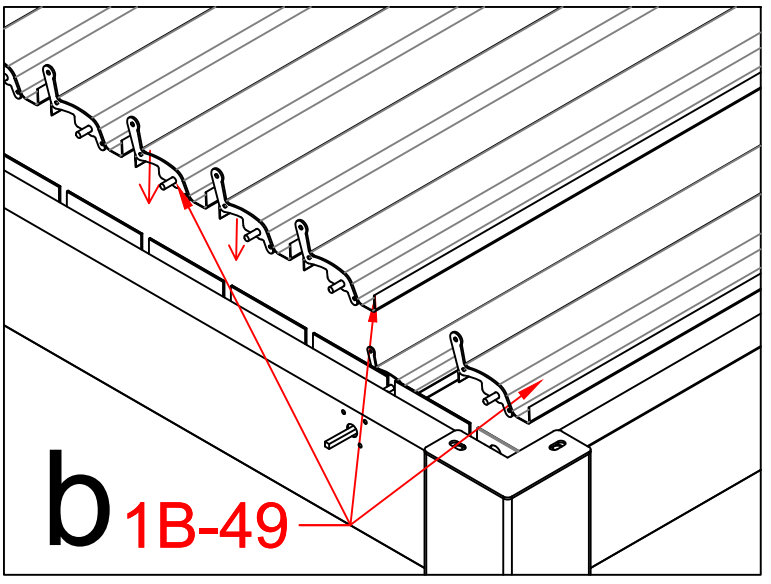




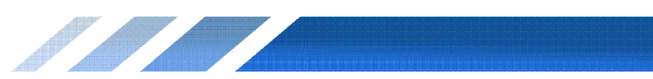
**a**

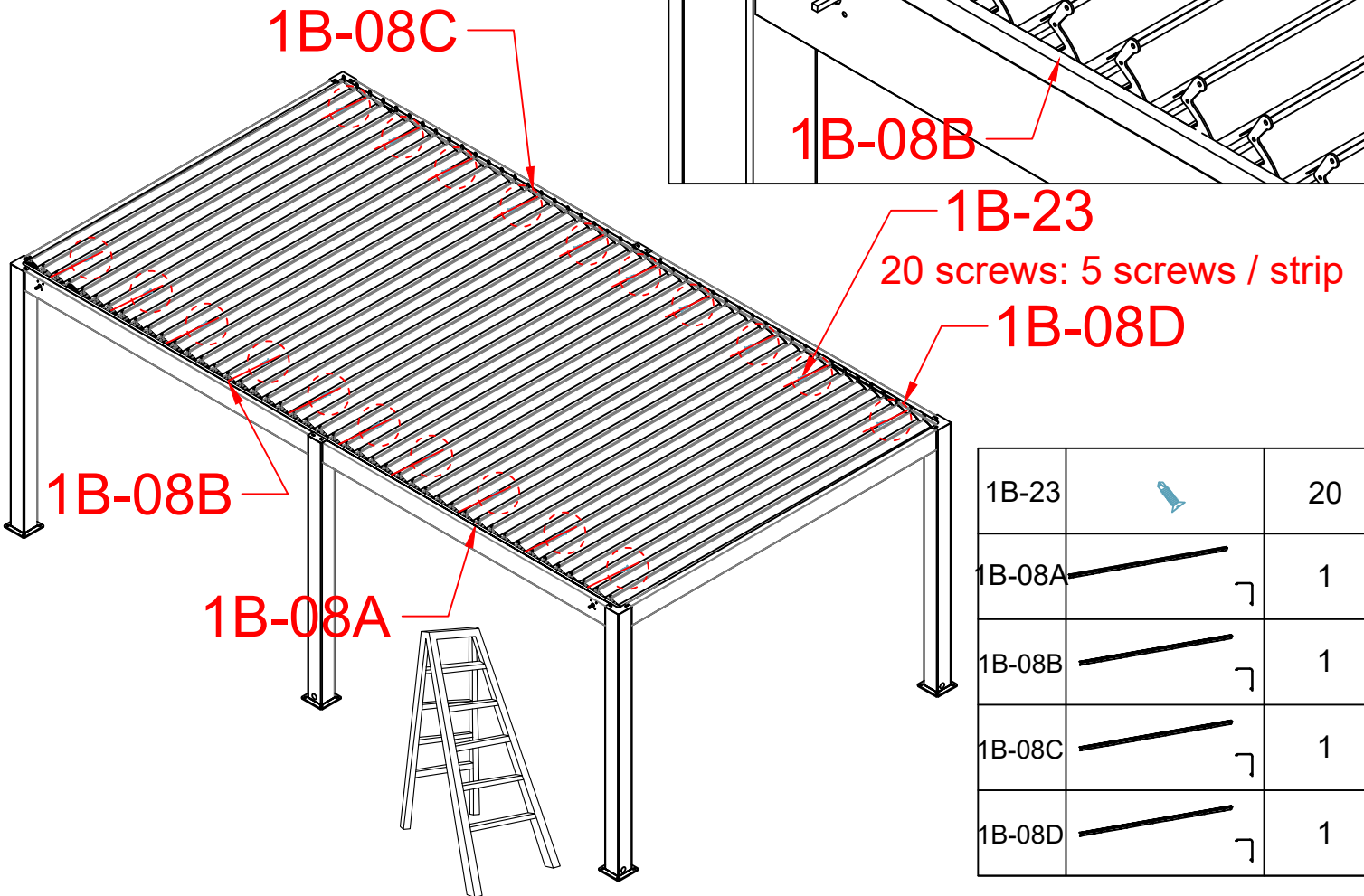
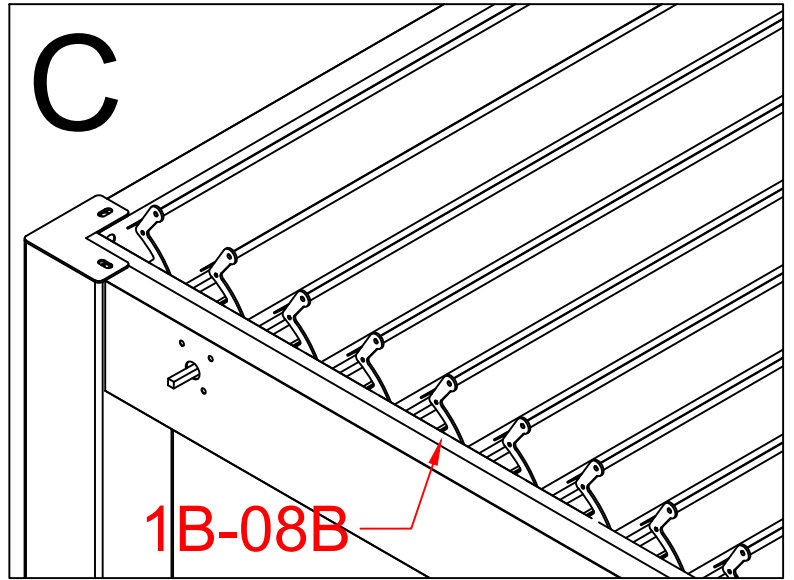
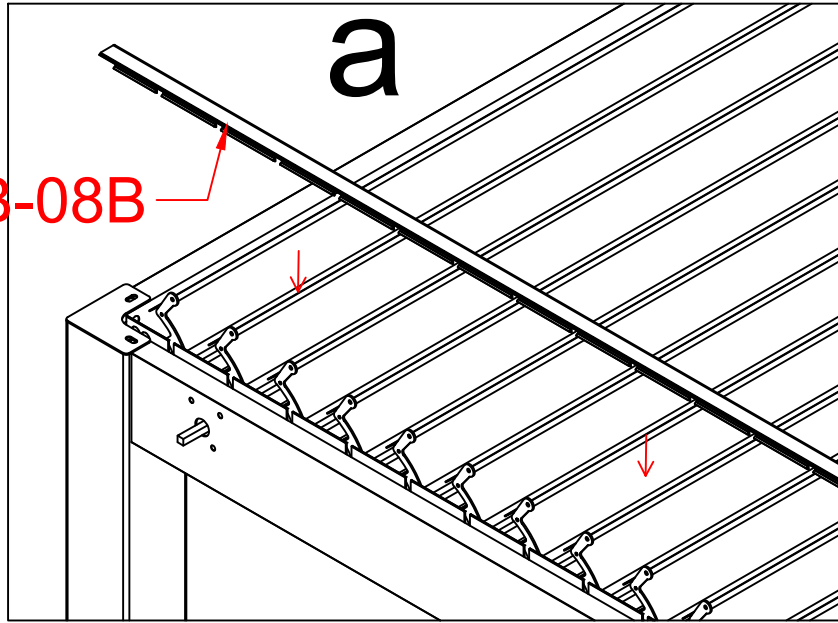
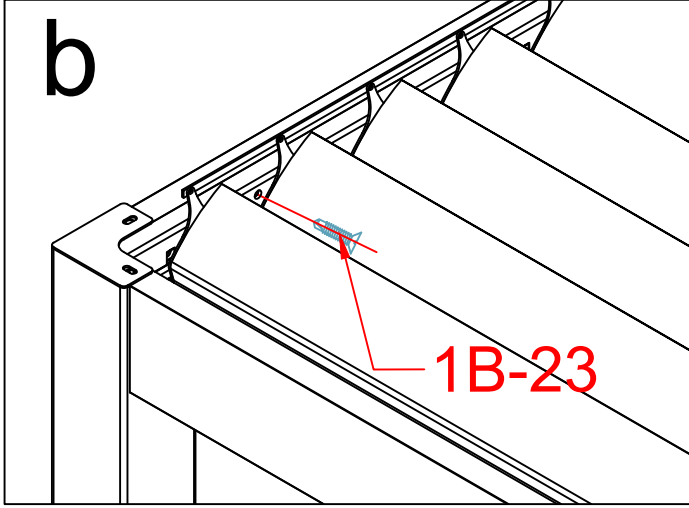







When installing louvers, first separate the two rubber gaskets and slide them to both ends of the circular shaft. Then, please ensure they are closed tightly before proceeding with the next steps of the installation.

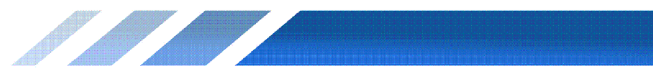


1B-06		46
-------	--	----

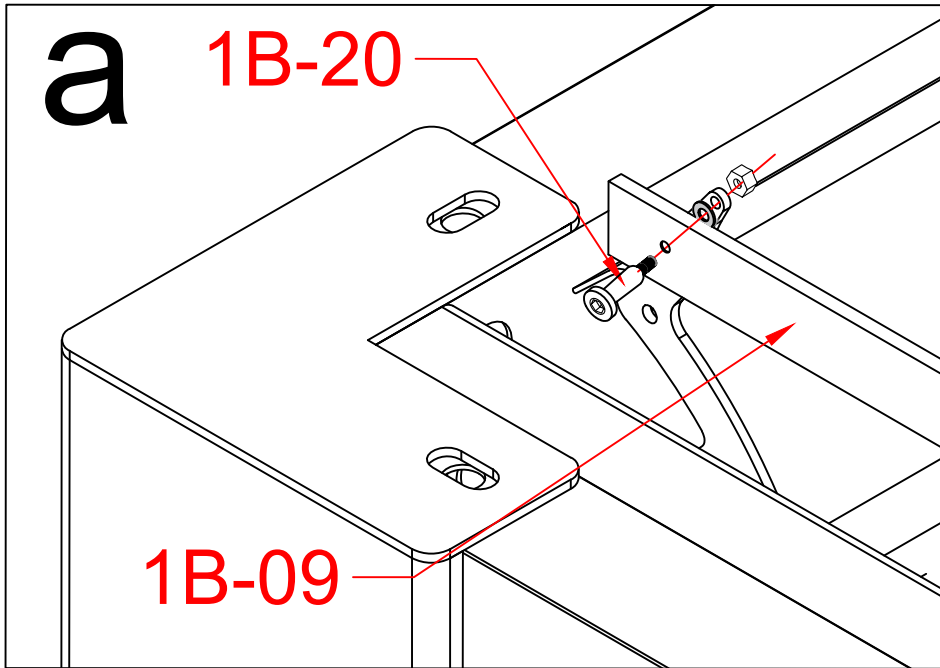




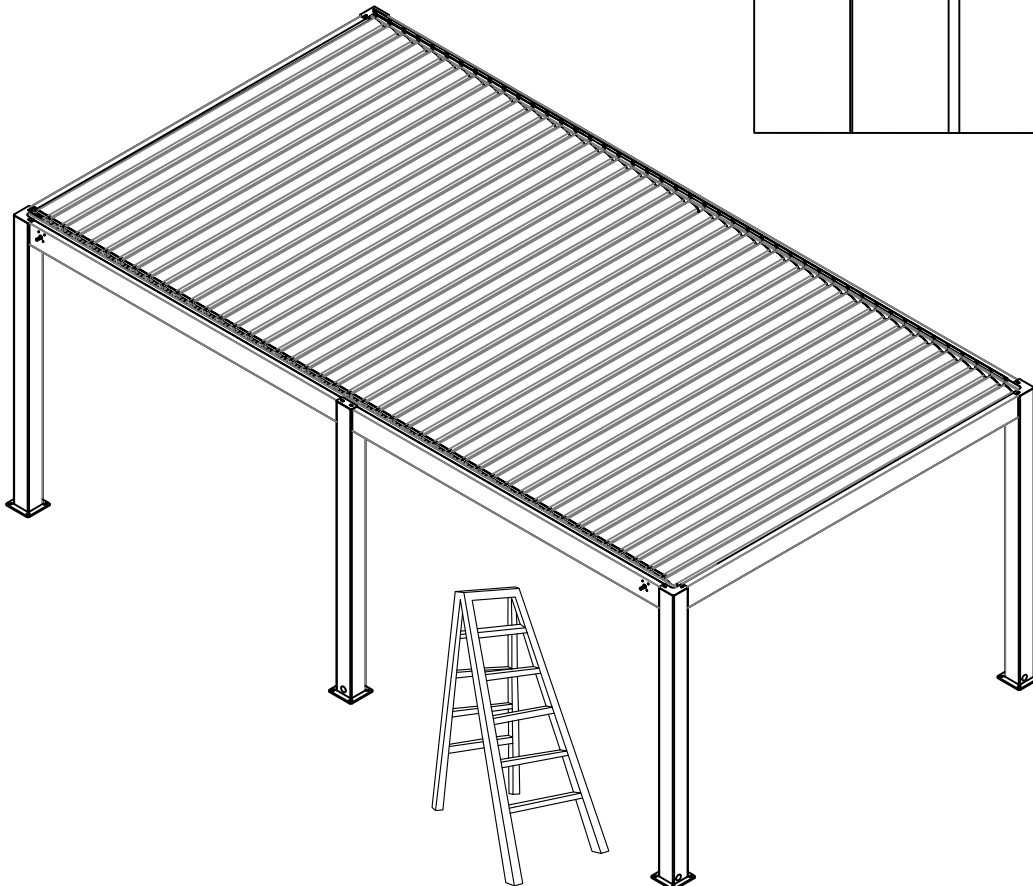
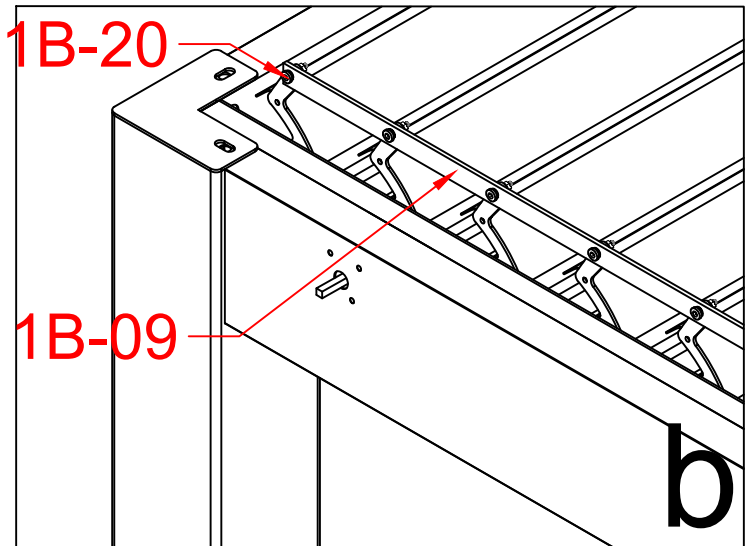
1B-23		20
1B-08A		1
1B-08B		1
1B-08C		1
1B-08D		1



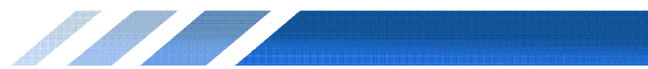


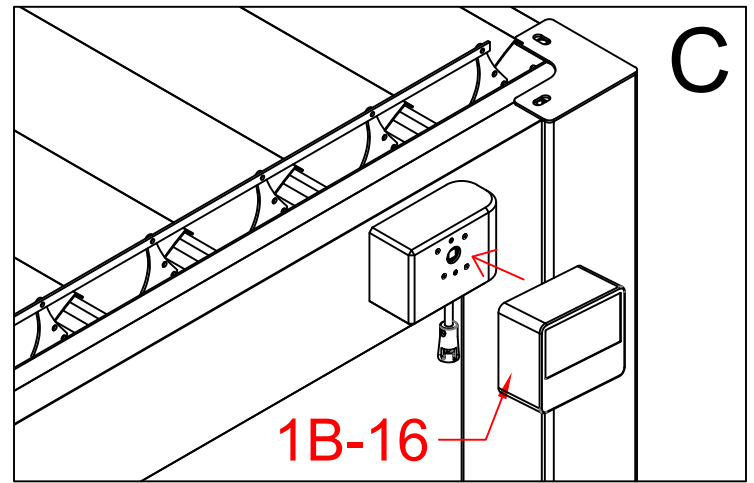
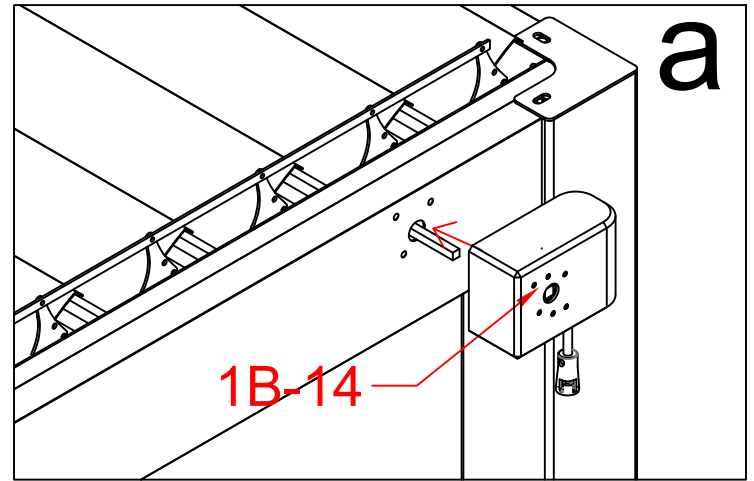
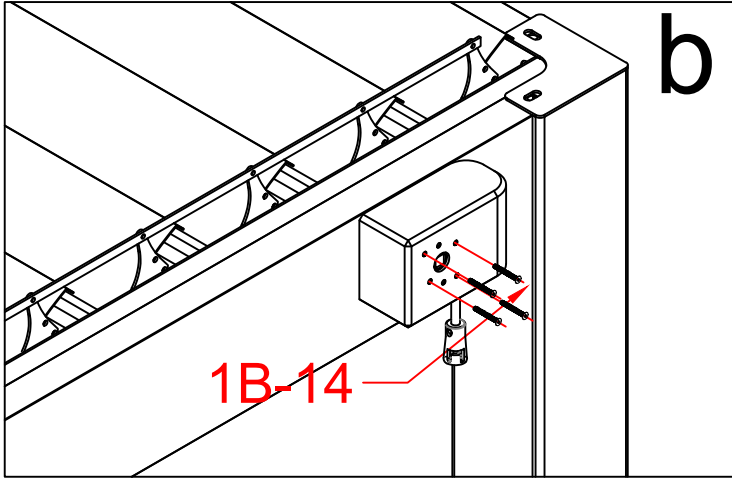


warning:  
Bolts must be tightened

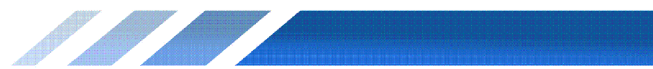


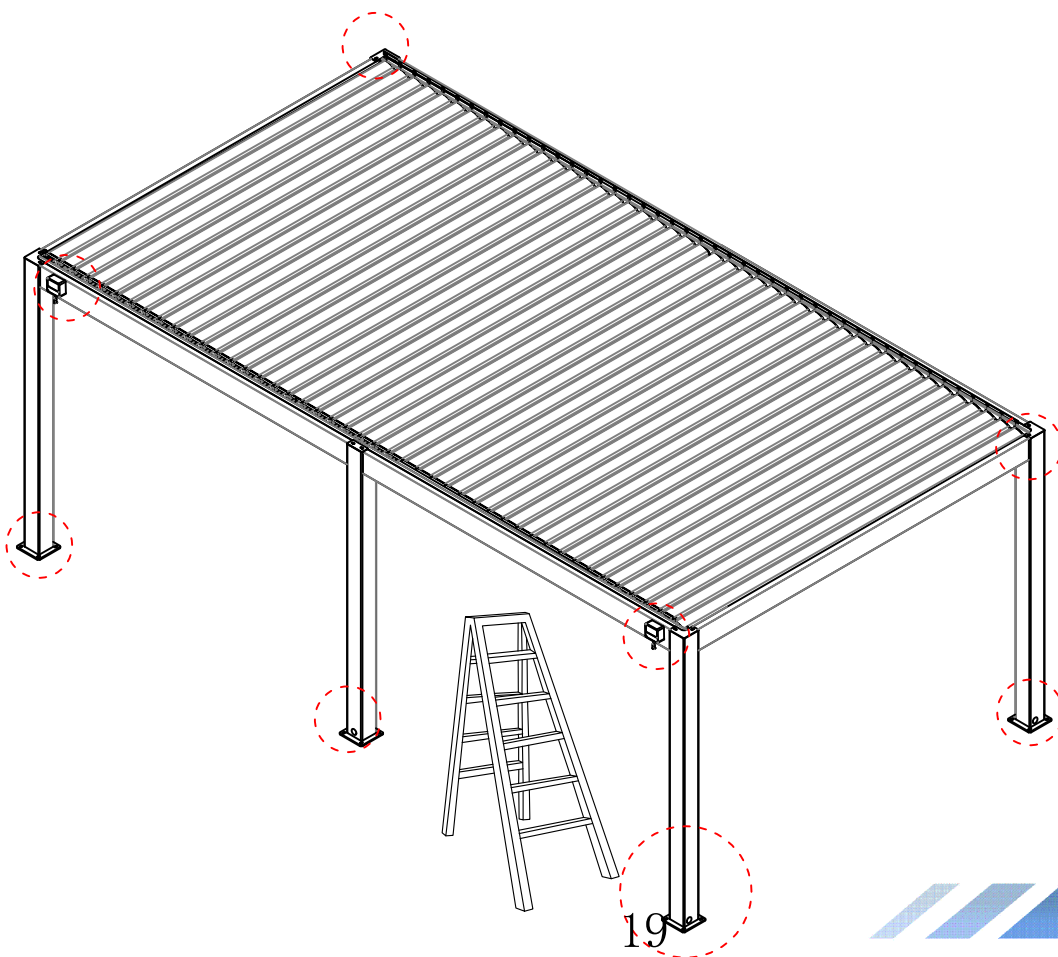
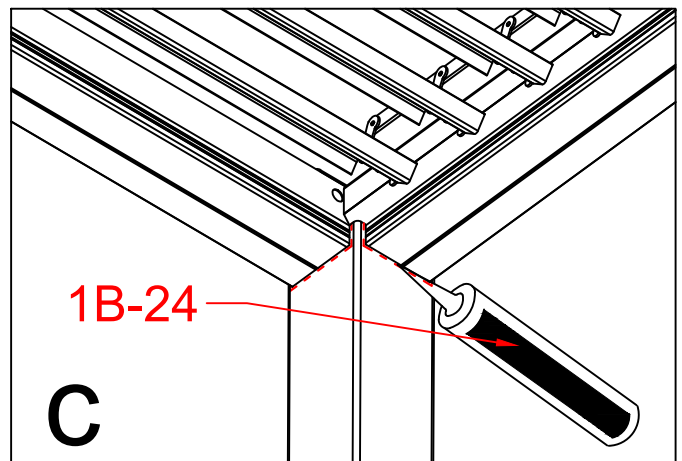
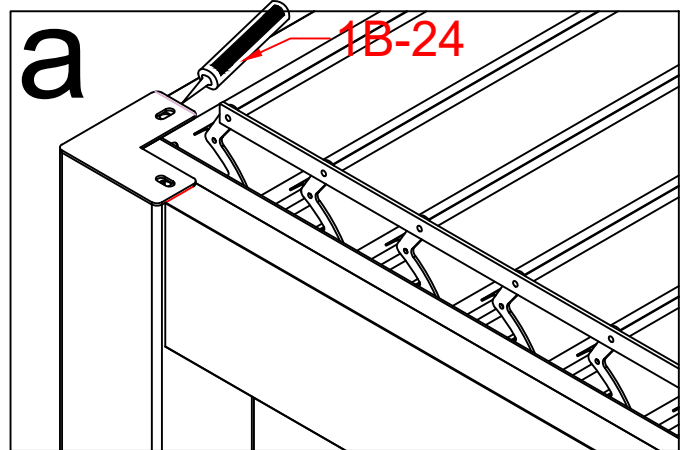
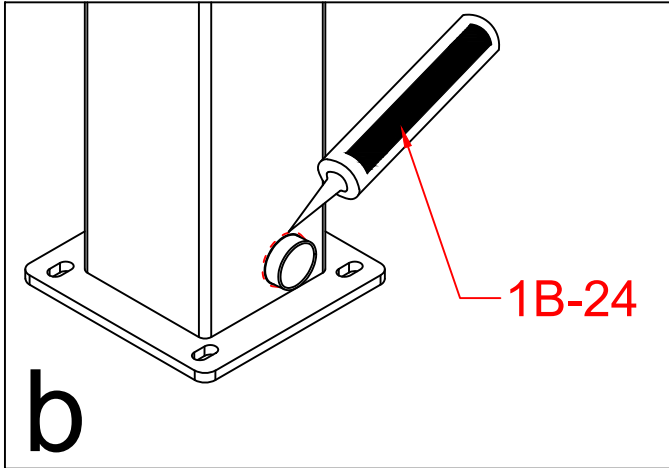
1B-09		4
1B-20		96



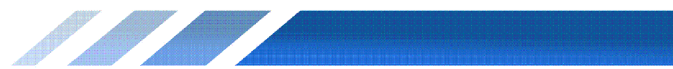


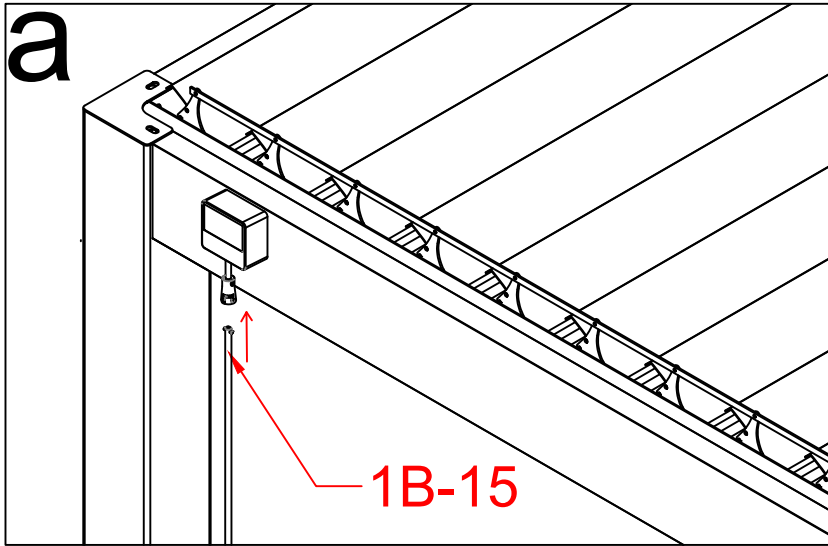
1B-14	+	2
1B-16		2



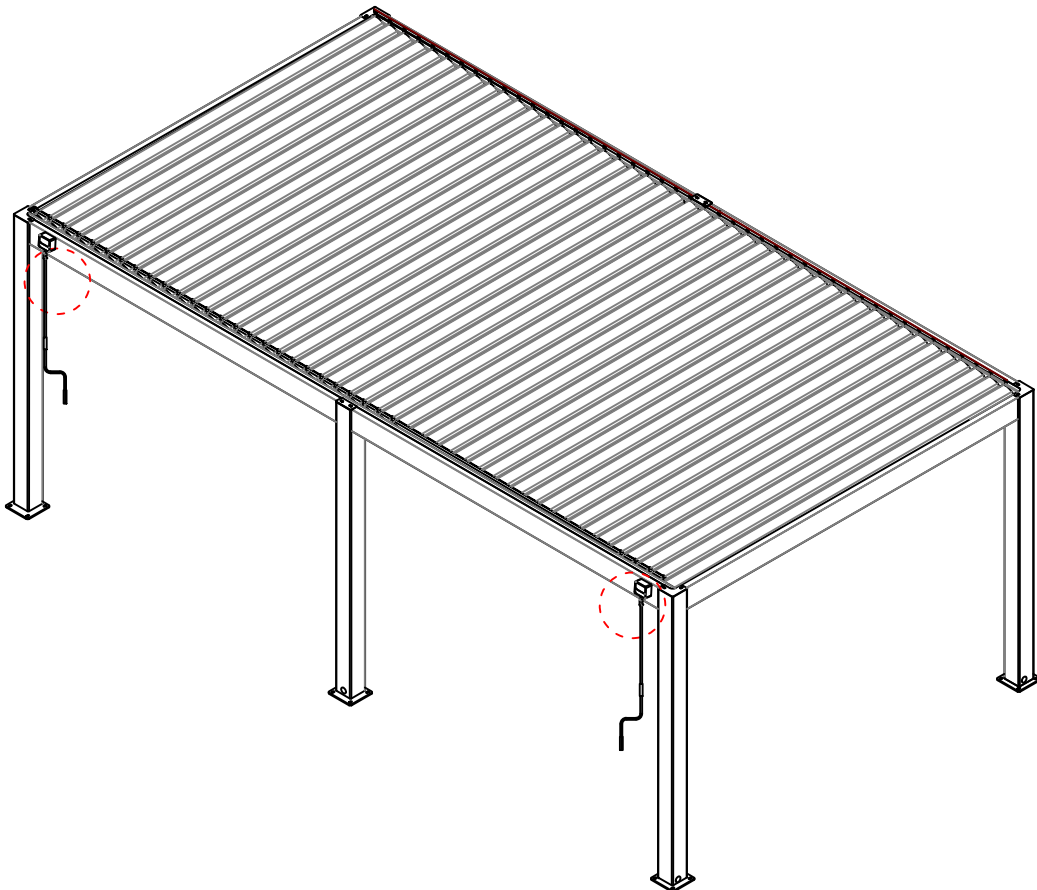
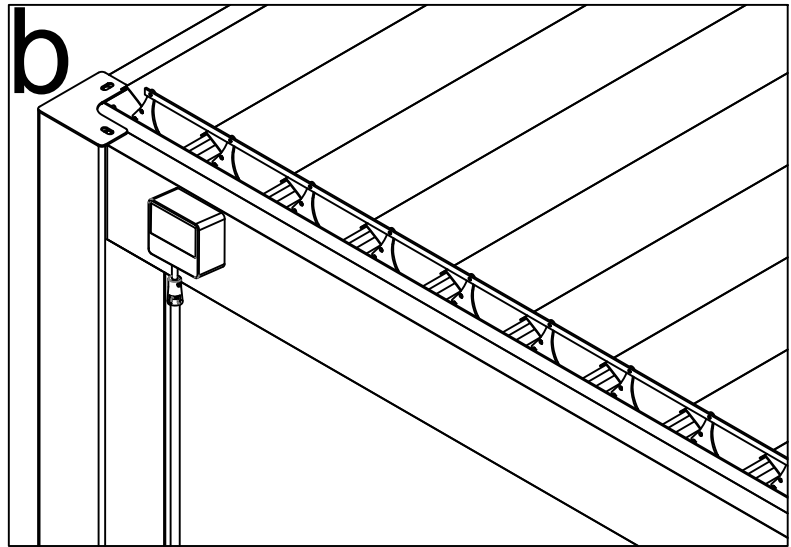


1B-24		1
-------	---	---





**Warning**  
In Snow / Wind season or in  
case of snow / wind forecast  
open up your shutters in vertical  
position to avoid any damaging  
on your pergola.



1B-15		2
-------	--	---

