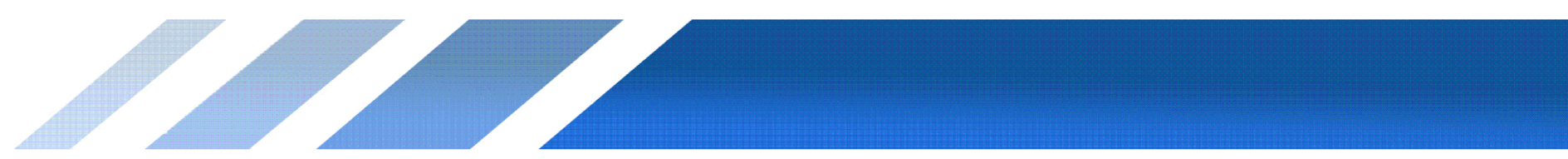
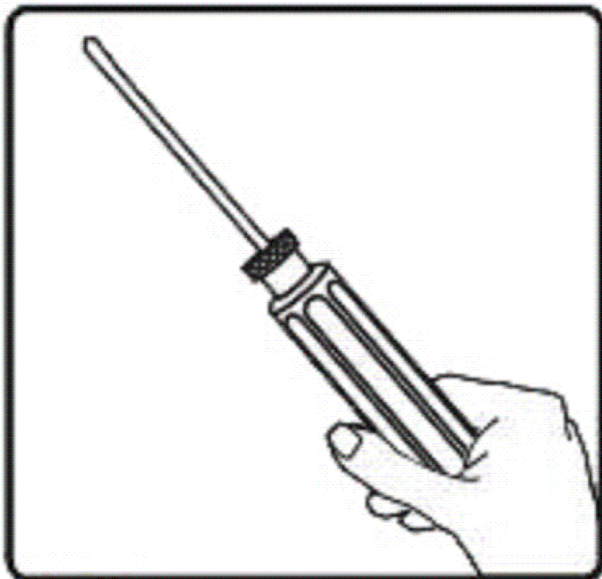
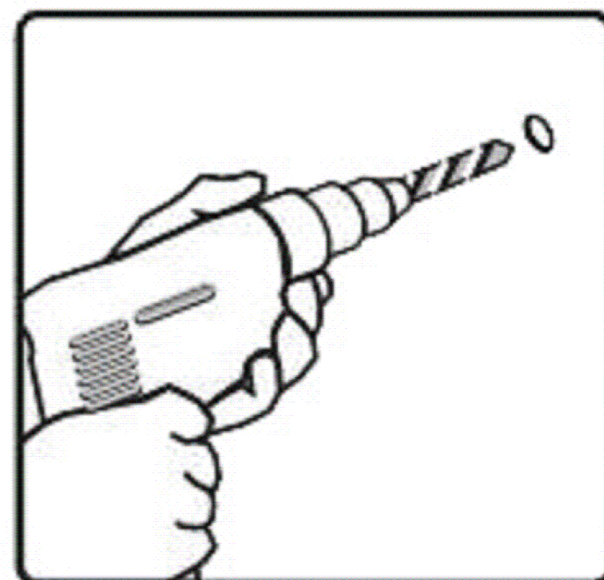
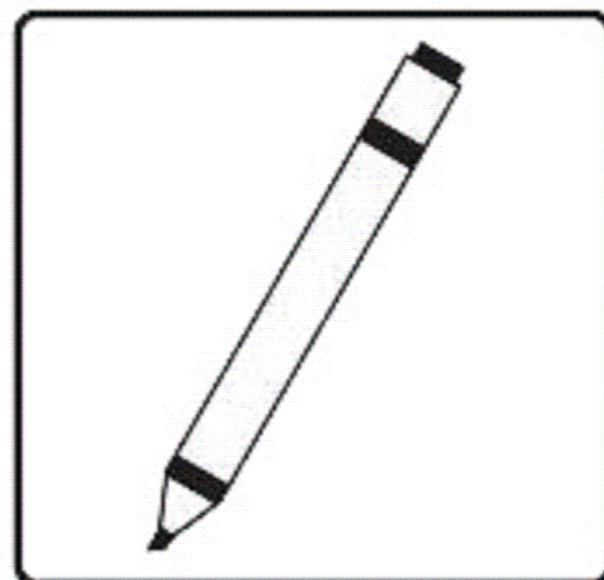
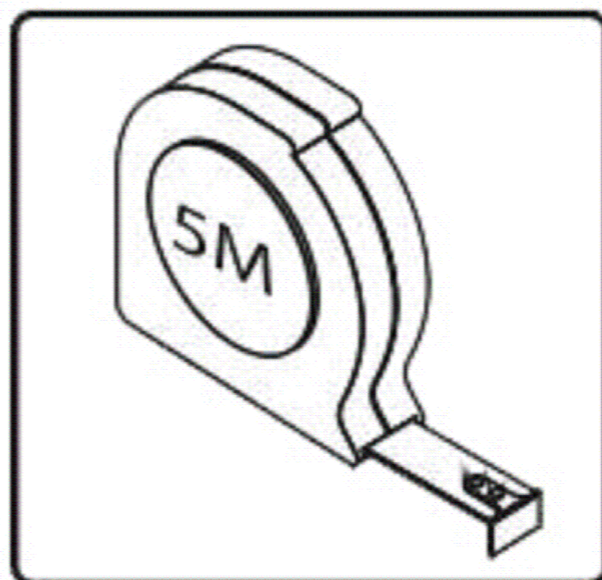
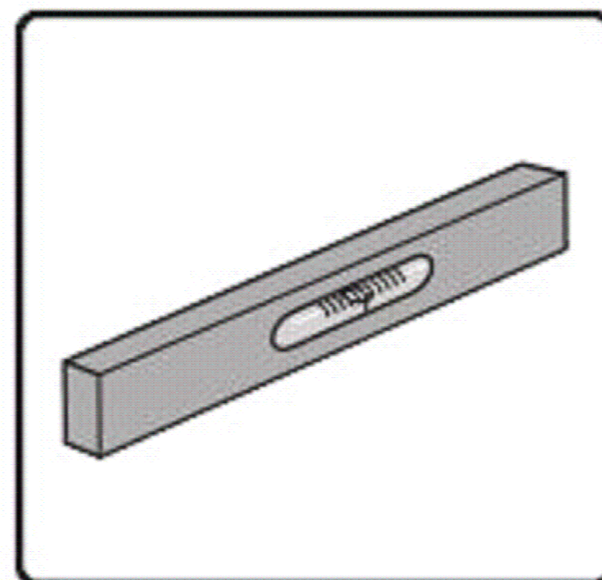
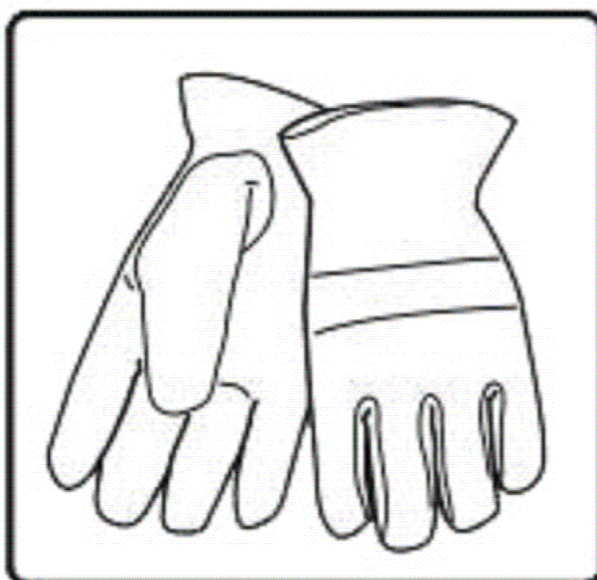
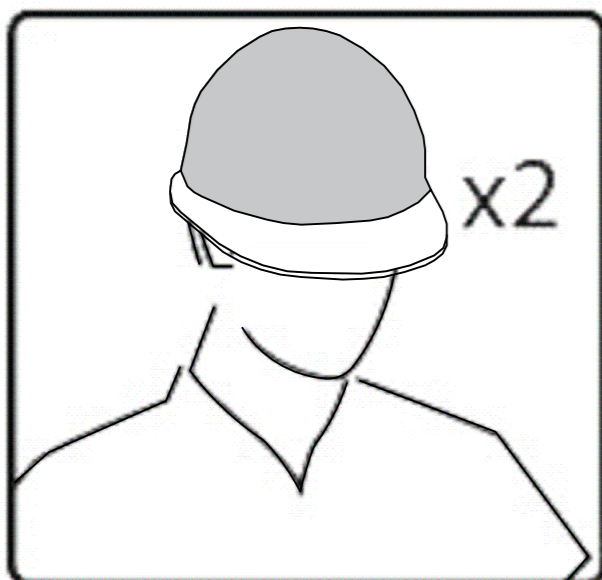
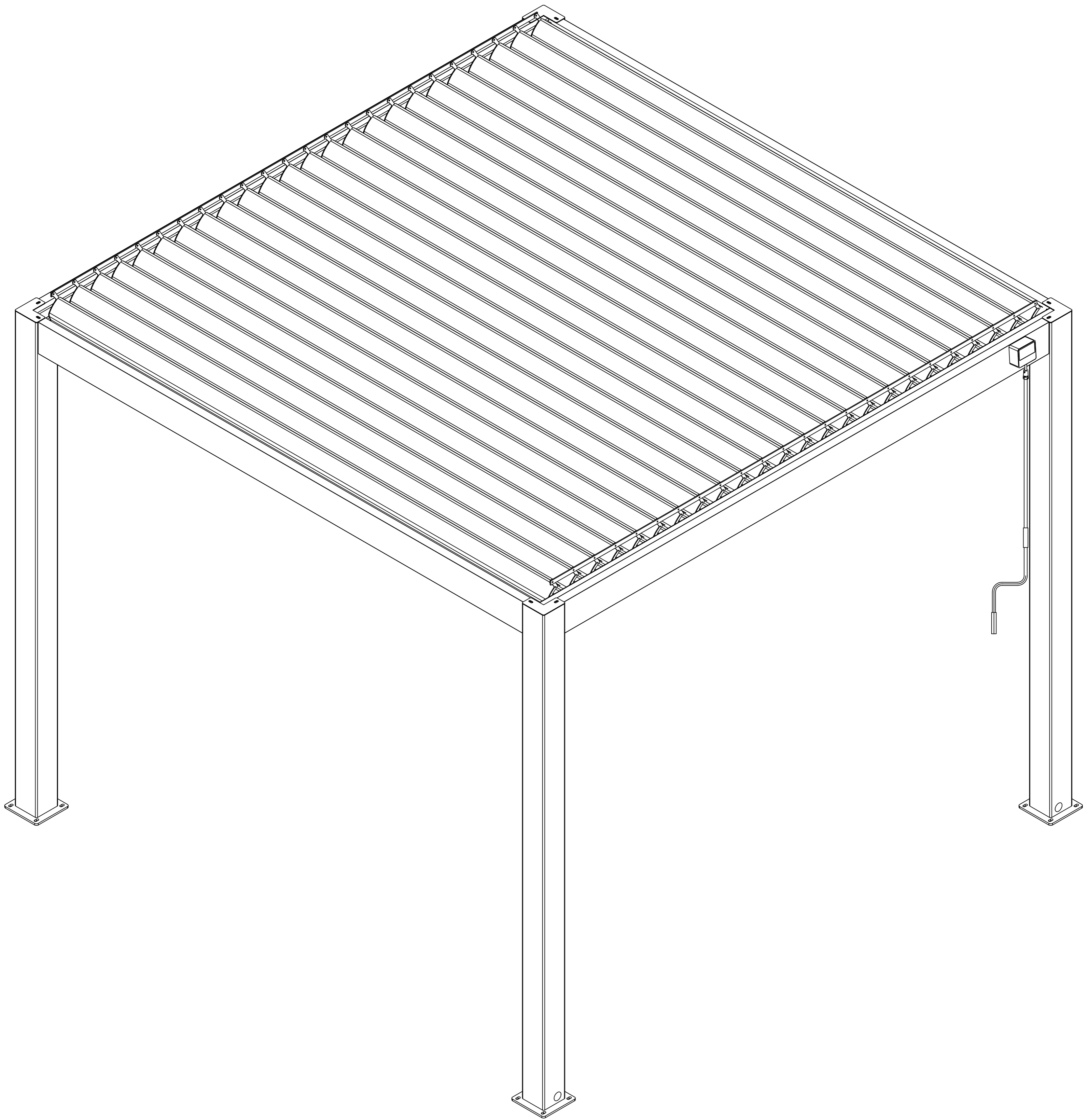




ALUMINIUM PERGOLA GAZEBO FREE STANDING

3x3m





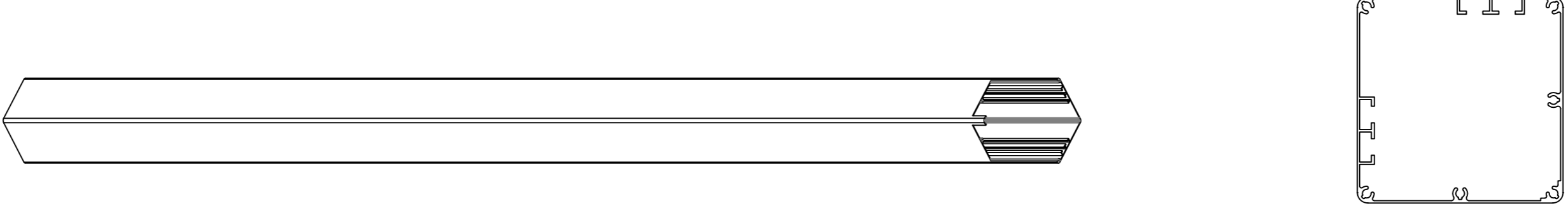
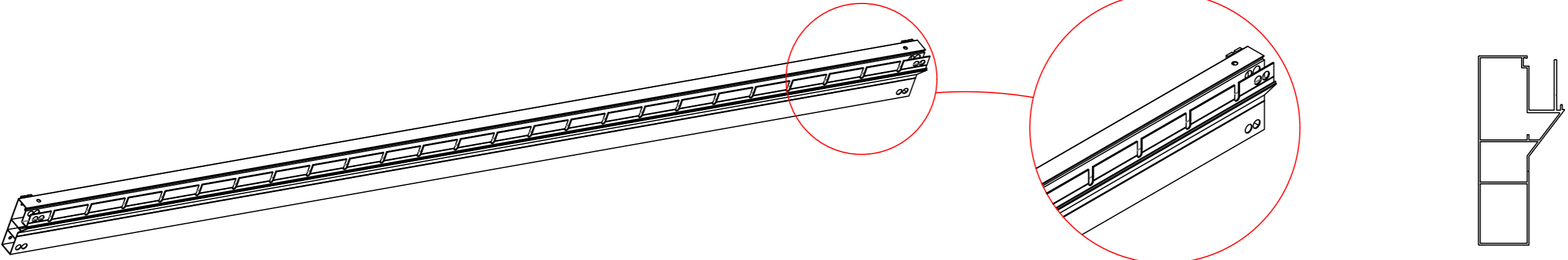
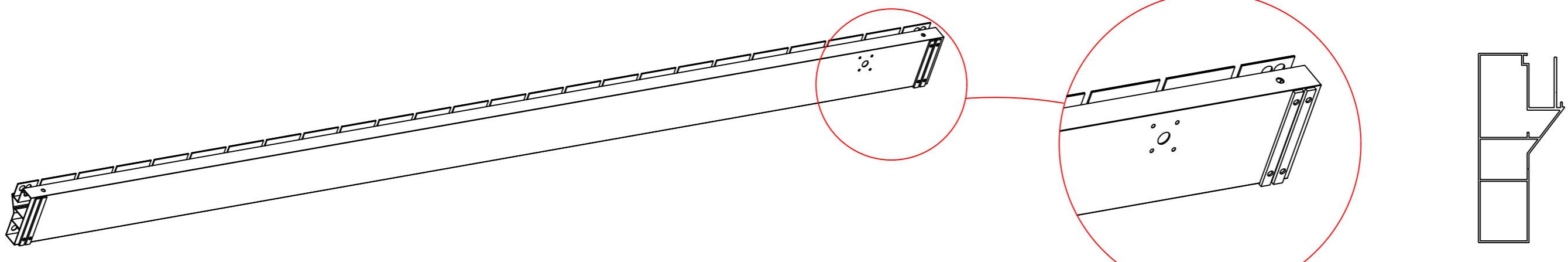
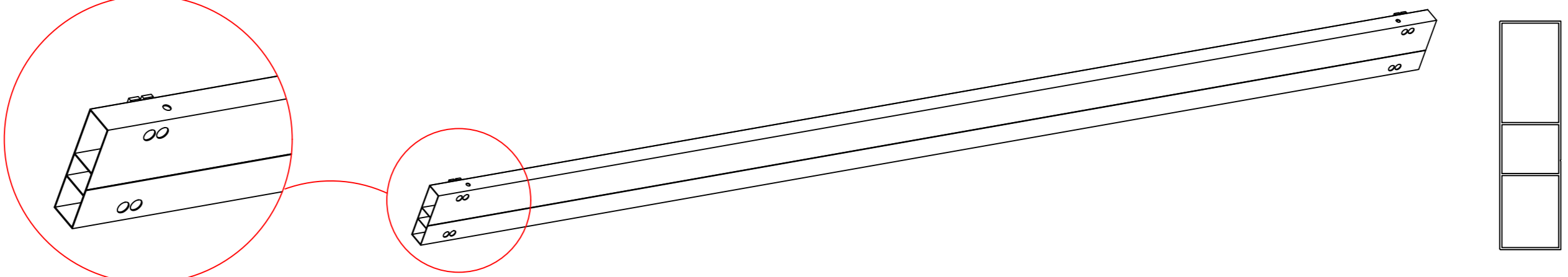
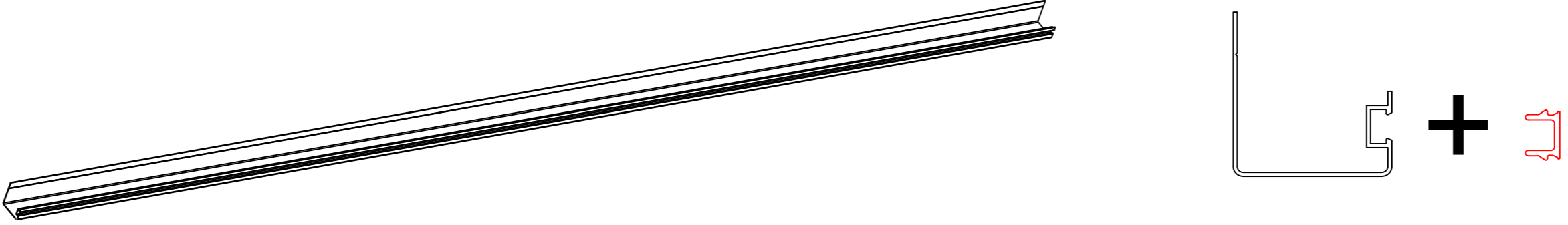
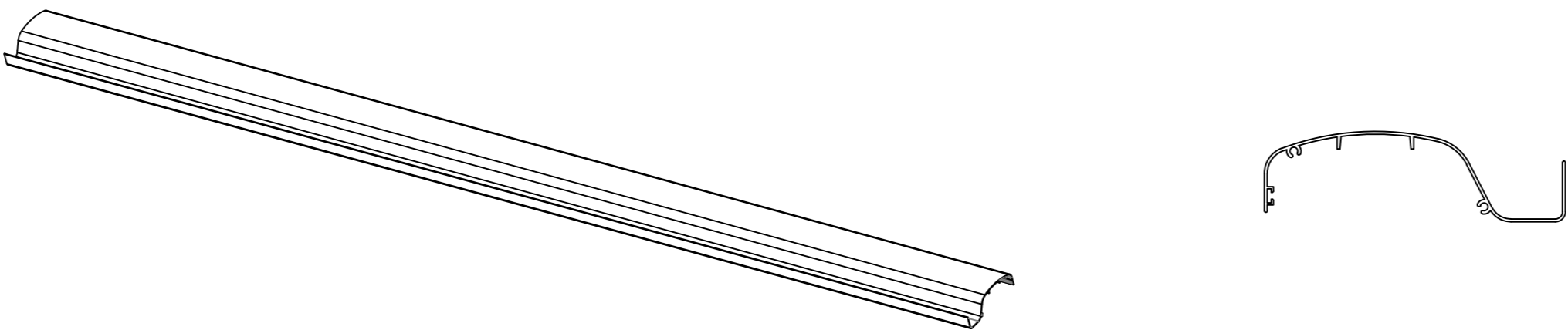
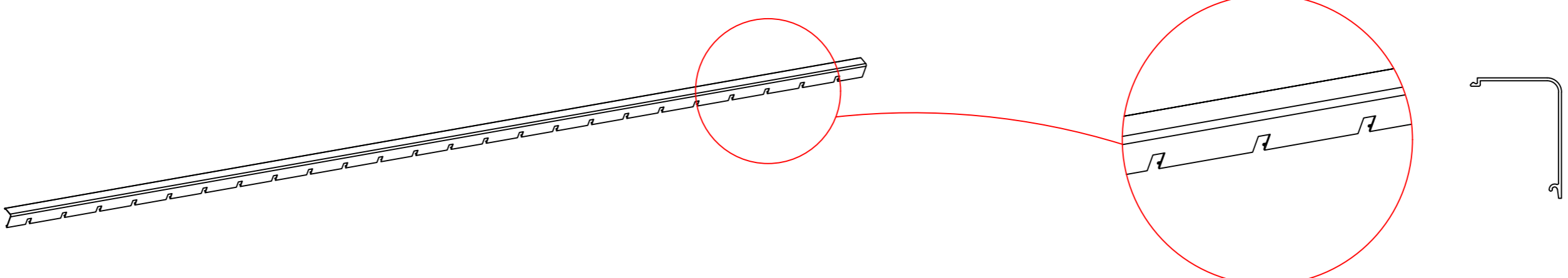
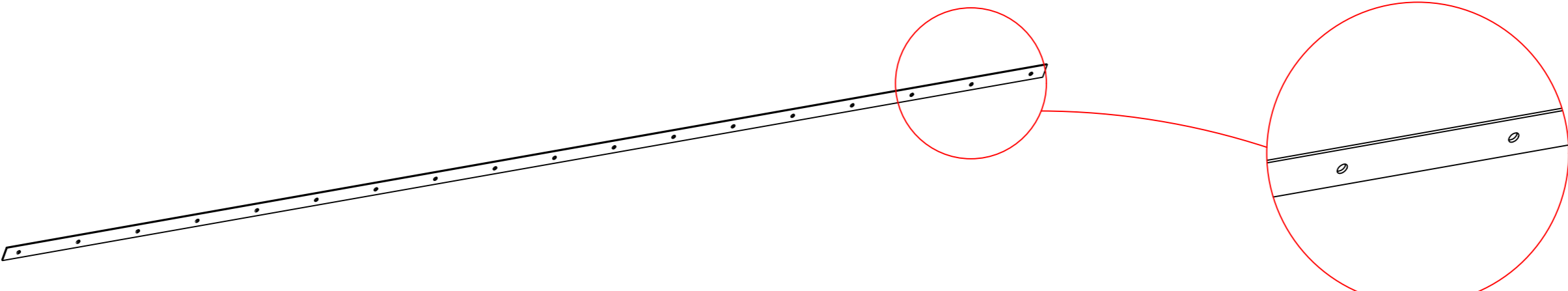
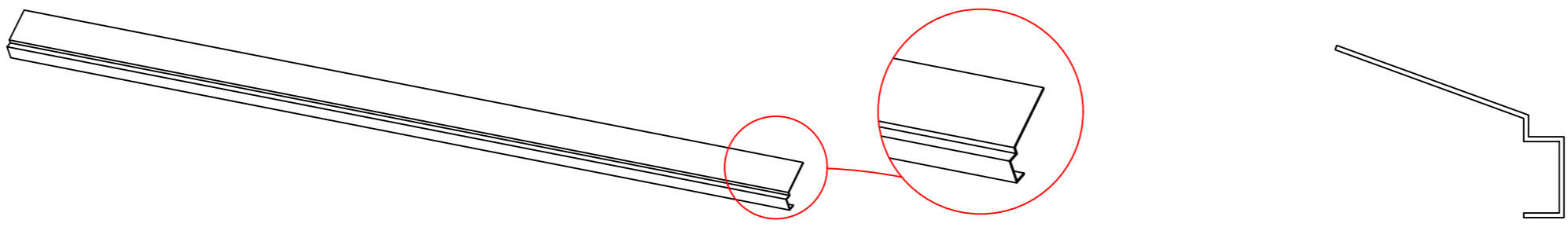


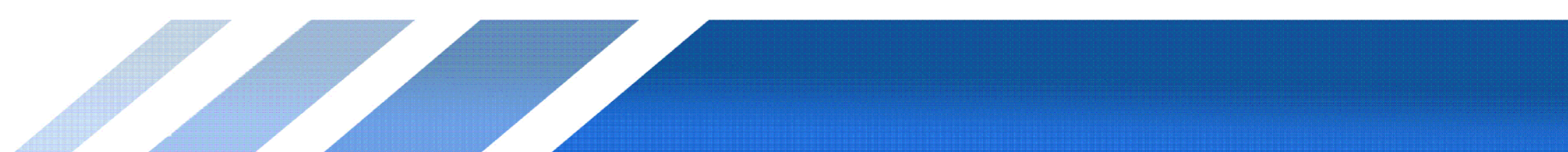
# 3x3m

	Item	Qty	Item	Qty	Item	Qty
Carton 1/3	1B-01	4	1B-11	4	1B-12	4
	1B-13	4	1B-14	1	1B-15	1
	1B-16	1	1B-18	1	1B-19	8
	1B-20	48+	1B-21	16+	1B-22	24+
	1B-23	26+	1B-24	1	1B-48	24+
	1B-49	23+	1B-50	1	1B-51	96+
	1B-64	1				
Carton 2/3	1B-02	1	1B-03	1	1B-04	2
	1B-05	4	1B-08	2	1B-09	2
	1B-29	2				
Carton 3/3	1B-06	24				





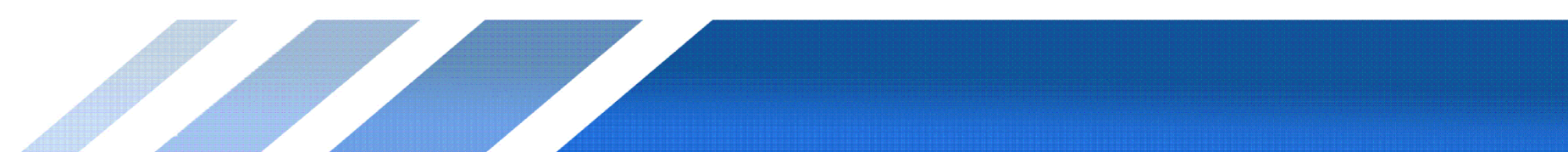
Item	Drawings	Qty
1B-01		4
1B-02		1
1B-03		1
1B-04		2
1B-05		4
1B-06		24
1B-08		2
1B-09		2
1B-29		2



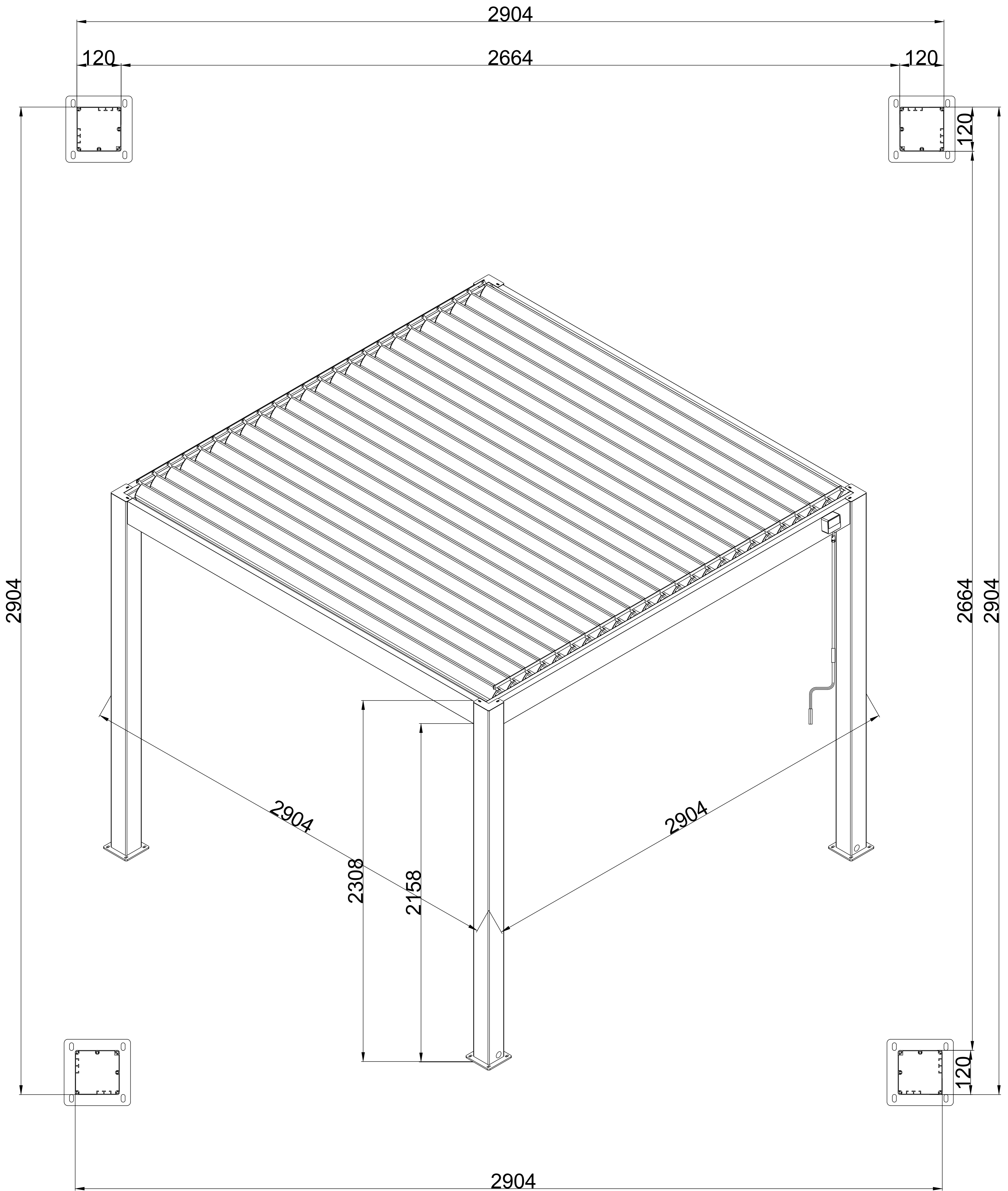


Item	Drawings	Qty
1B-11		4
1B-12		4
1B-13		4
1B-14		1
1B-15		1
1B-16		1
1B-18		1
1B-19	 M8*20	8
1B-20		48+
1B-21	 M10*80	16+
1B-22	 M5.5*50	24+

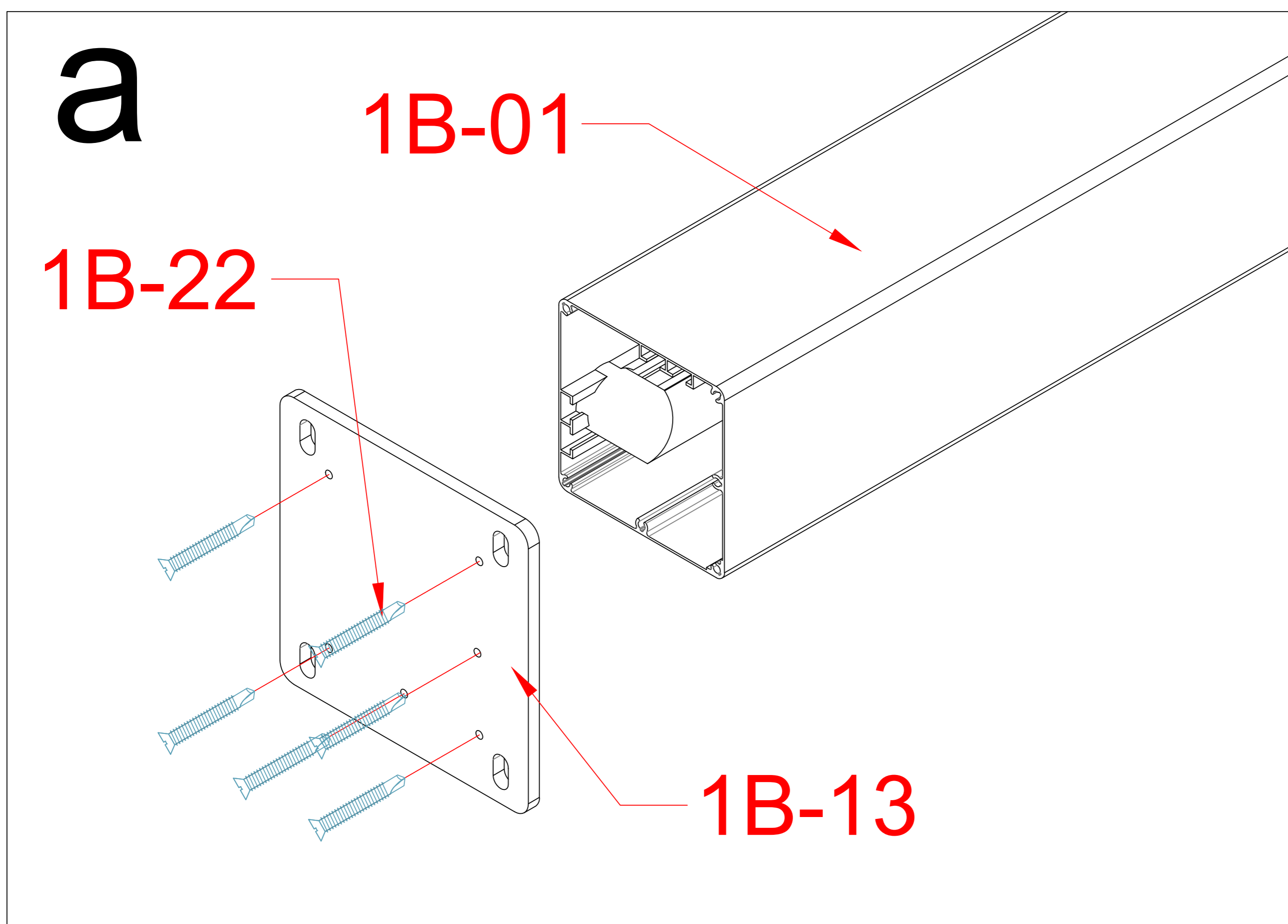
Item	Drawings	Qty
1B-23	 M4.2*19	26+
1B-24		1
1B-48		24+
1B-49		23+
1B-50		1
1B-51	 M3.5*25	96+
1B-64		1



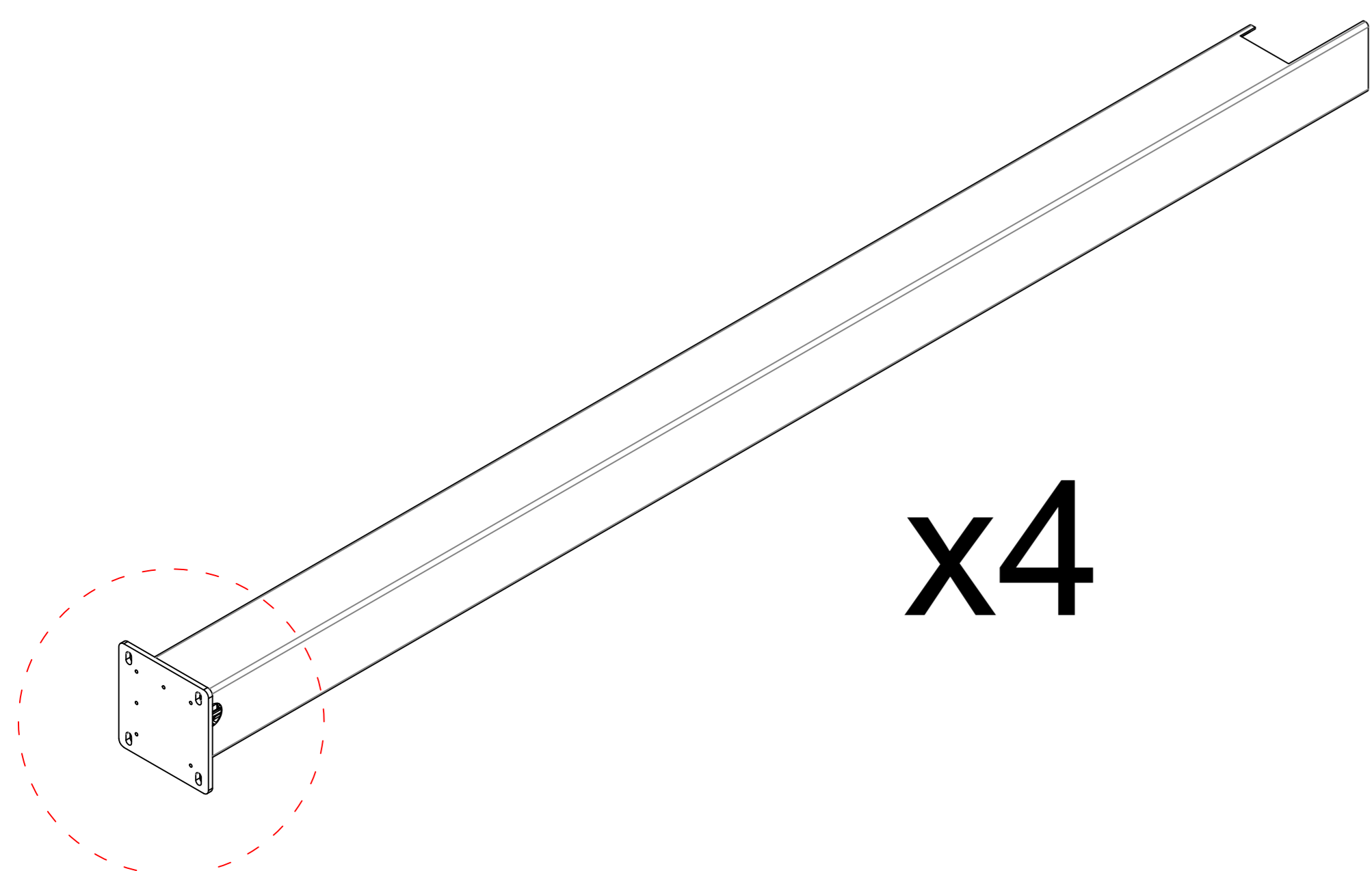
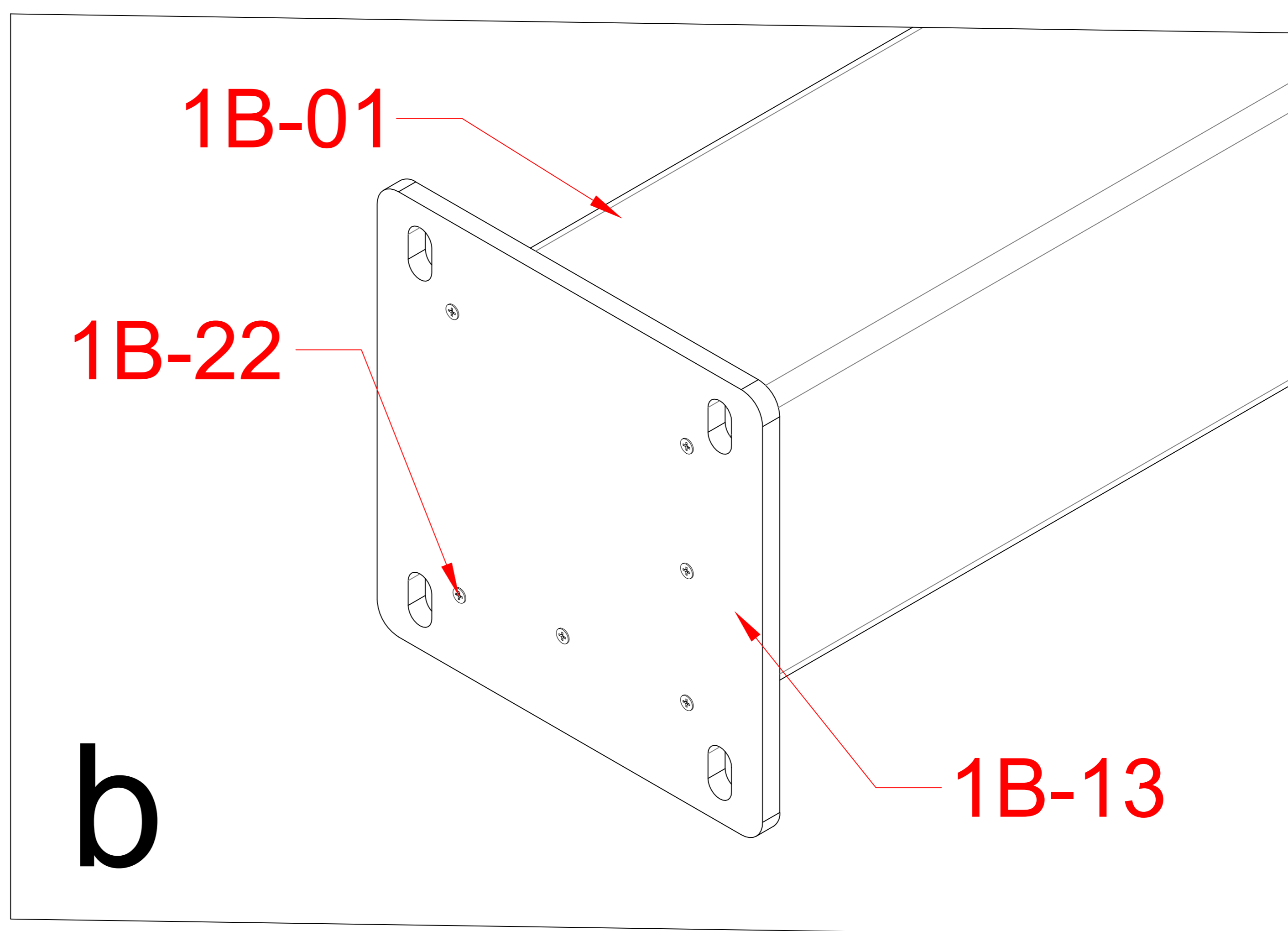
3×3m

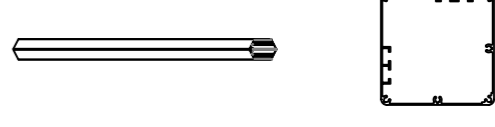
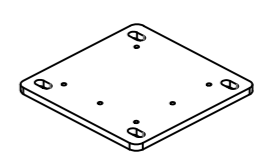
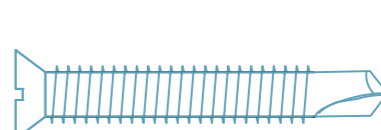


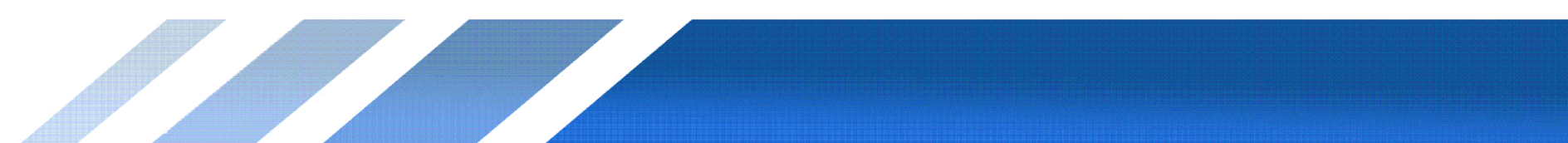
3\*3-4

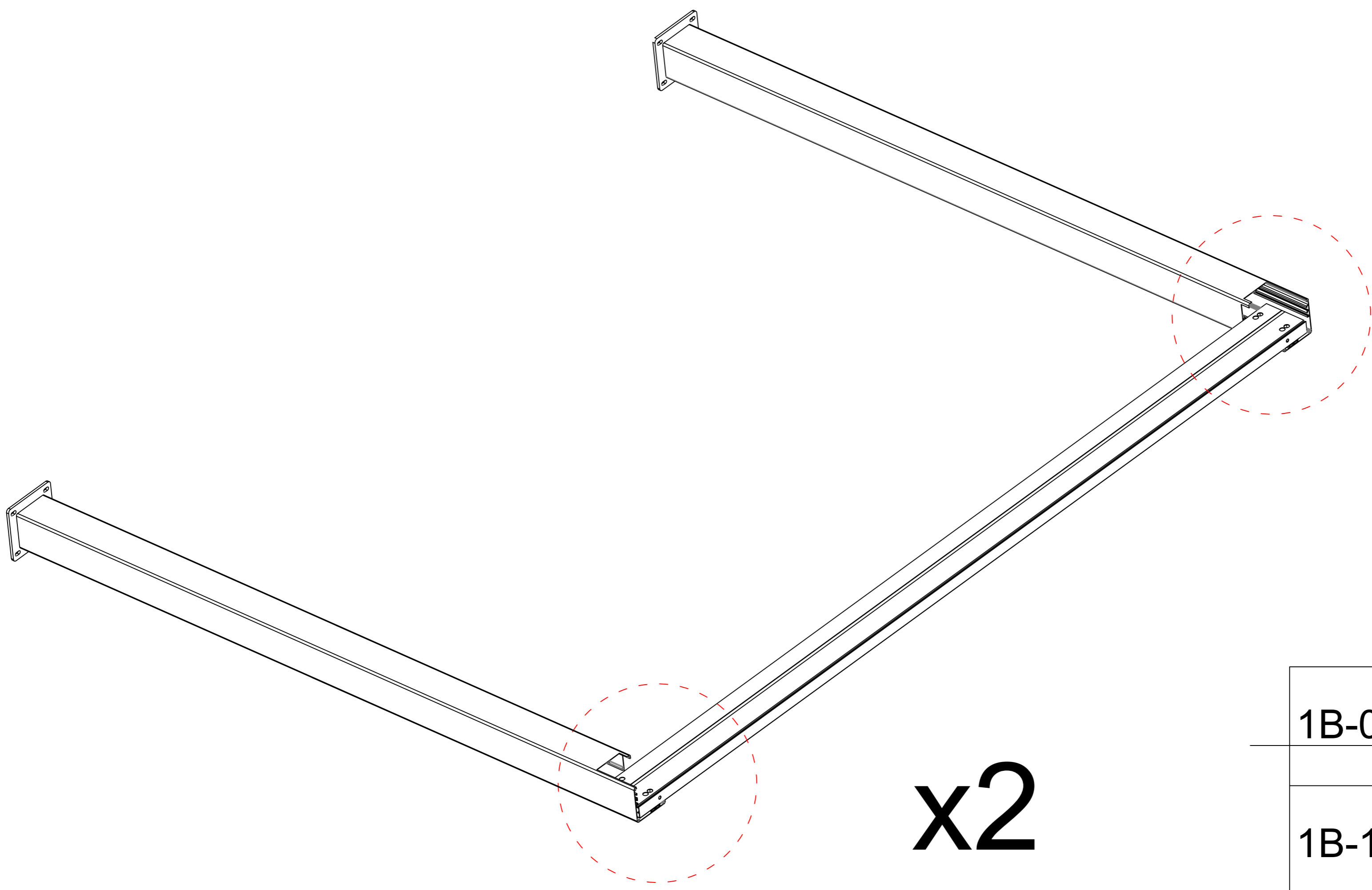
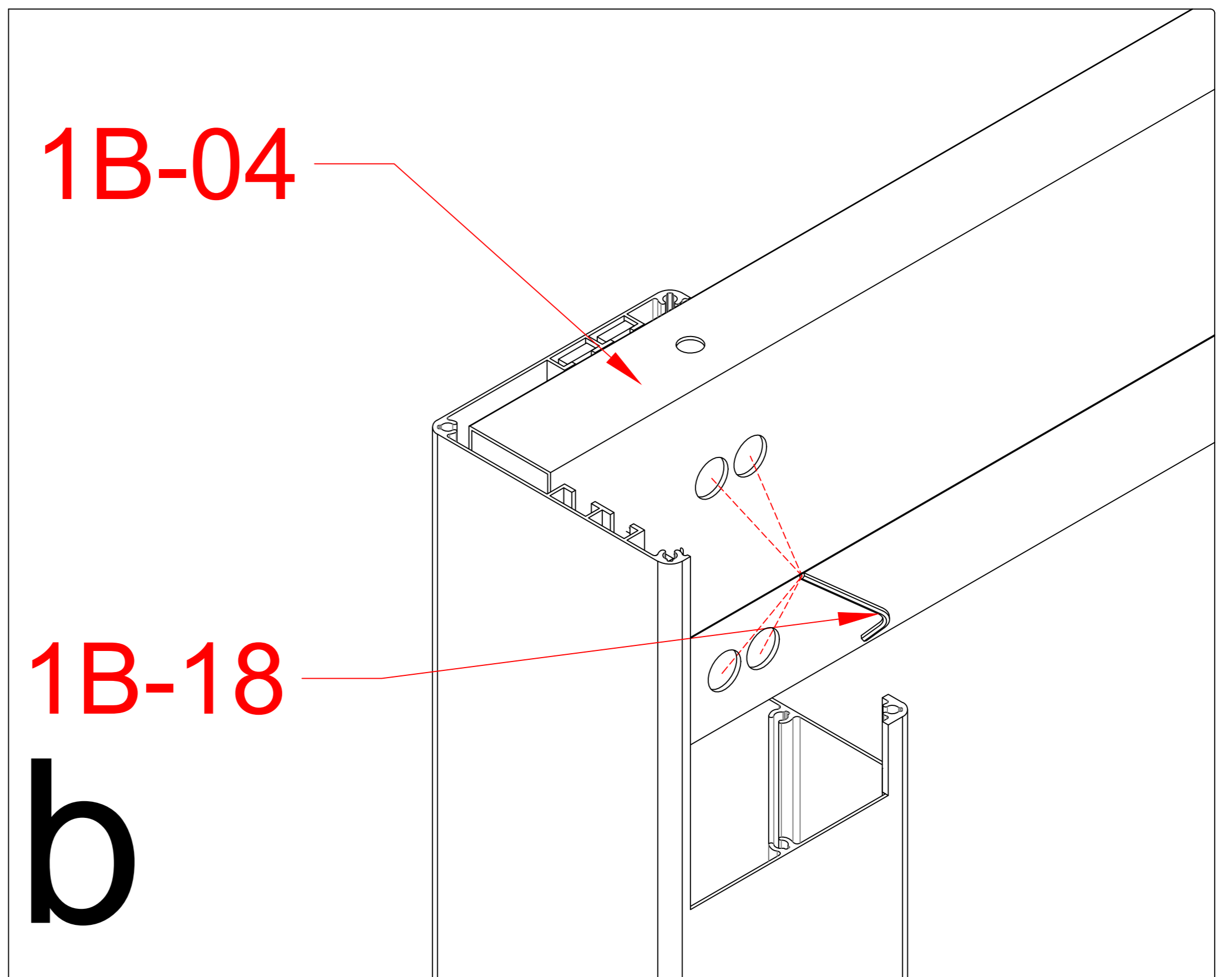
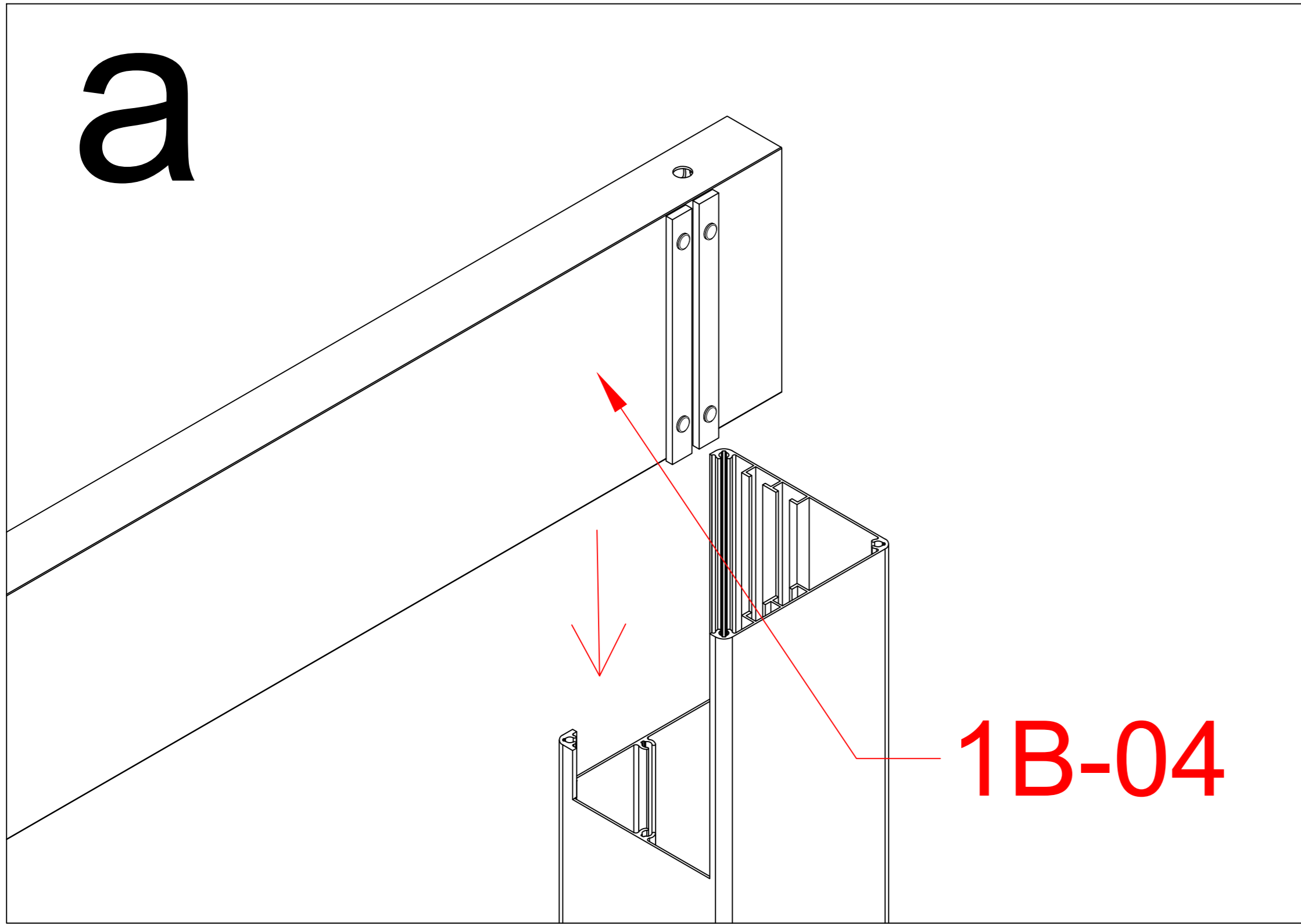


**If there are electrical components including motor, blinds or LED light, Set the wire through the post firstly, otherwise it would be very difficult to do so after pergola was assembled.**

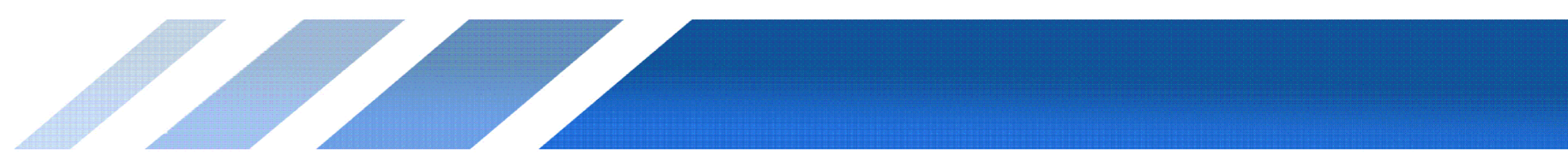


1B-01		4
1B-13		4
1B-22		24

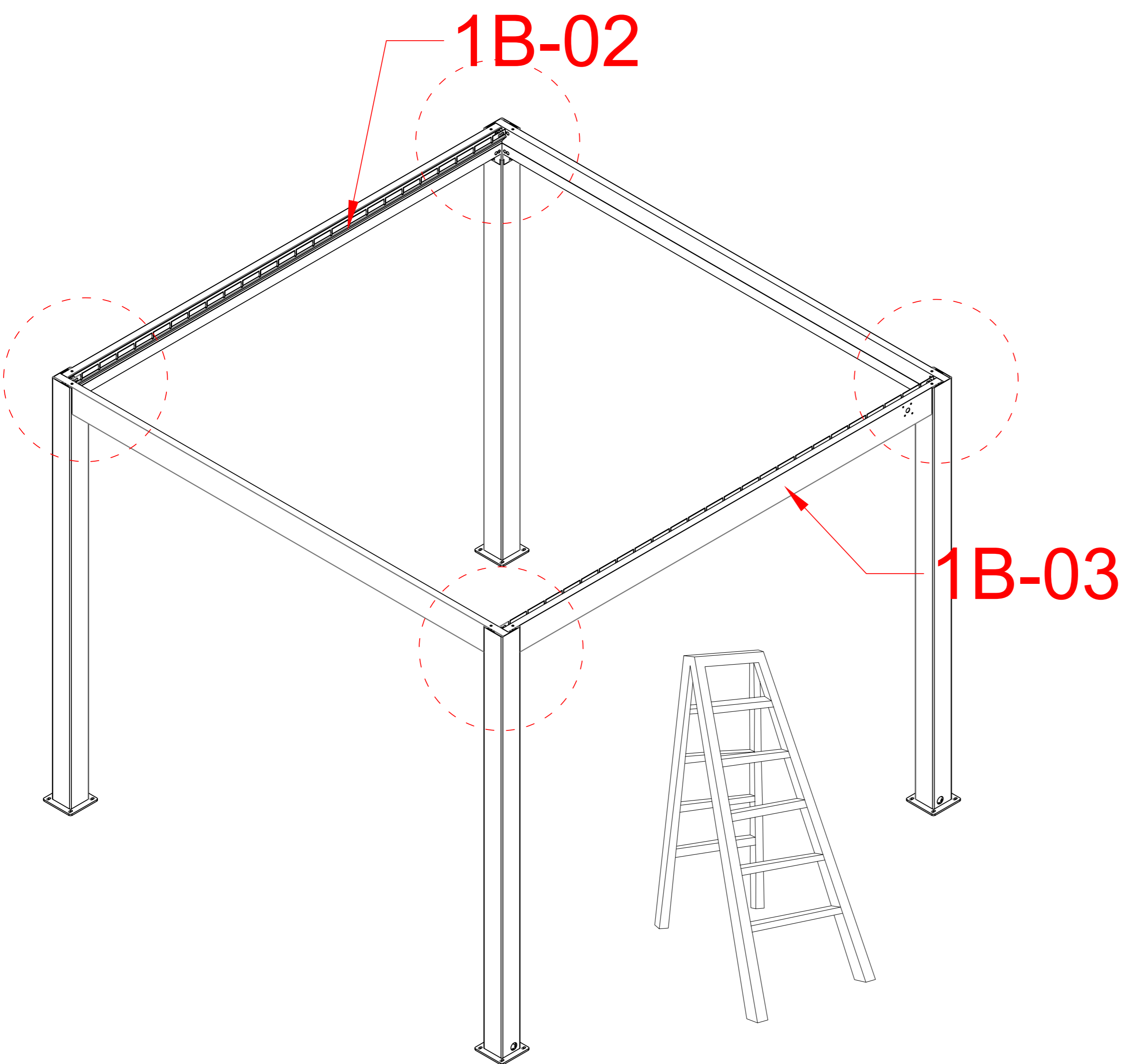
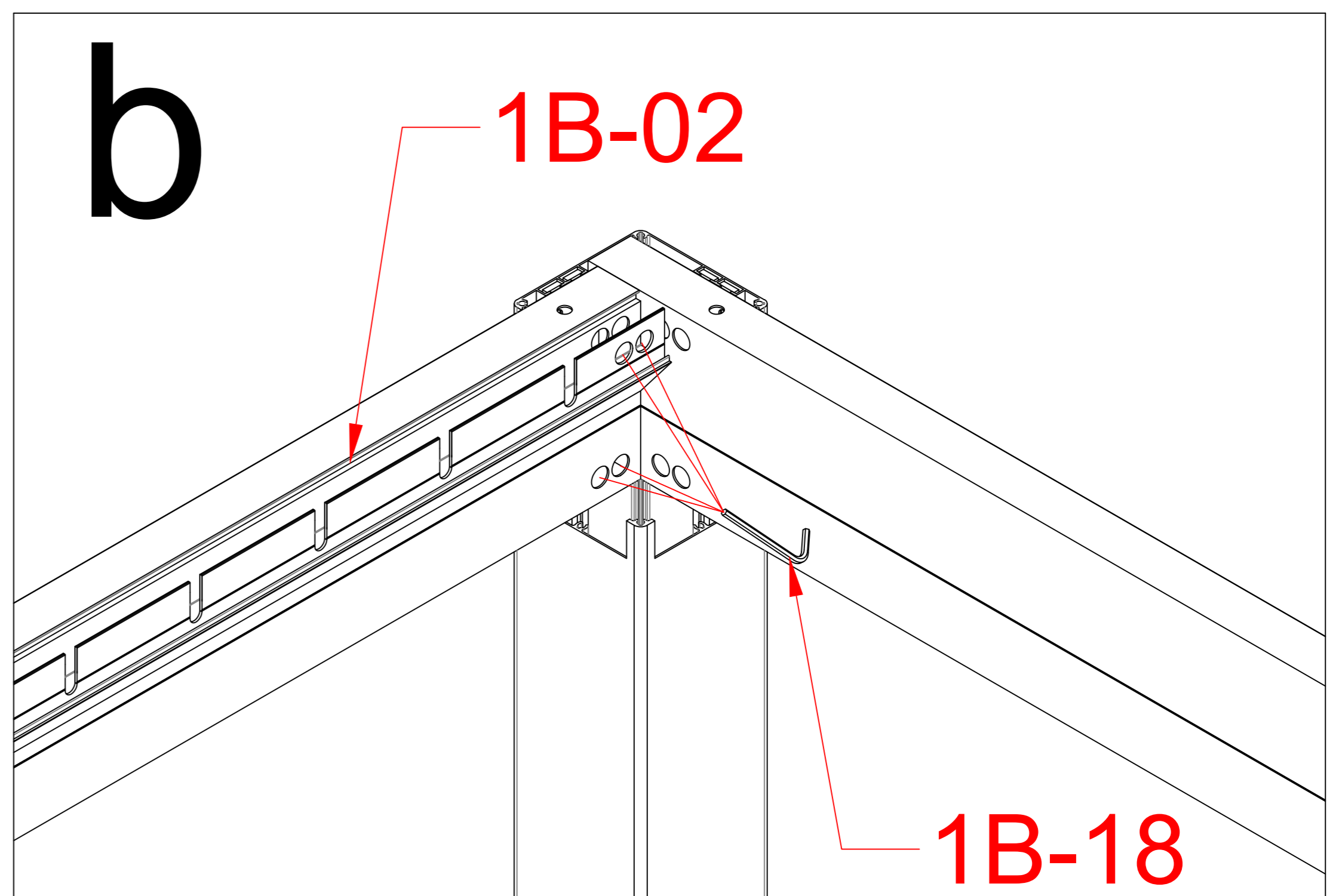
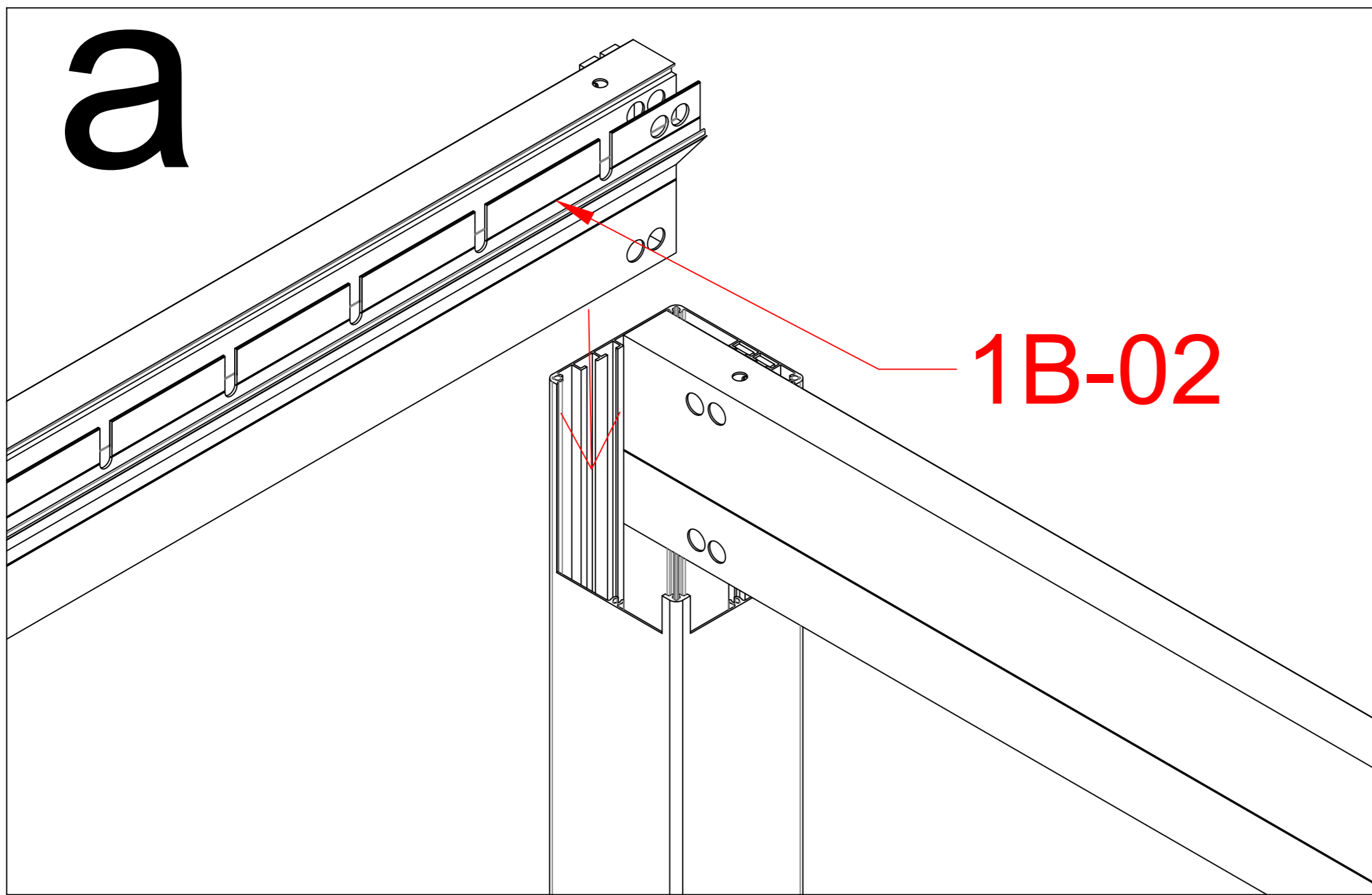




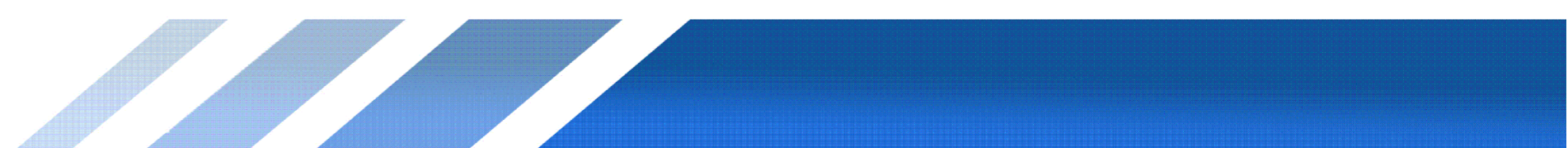
1B-04		2
1B-18		1

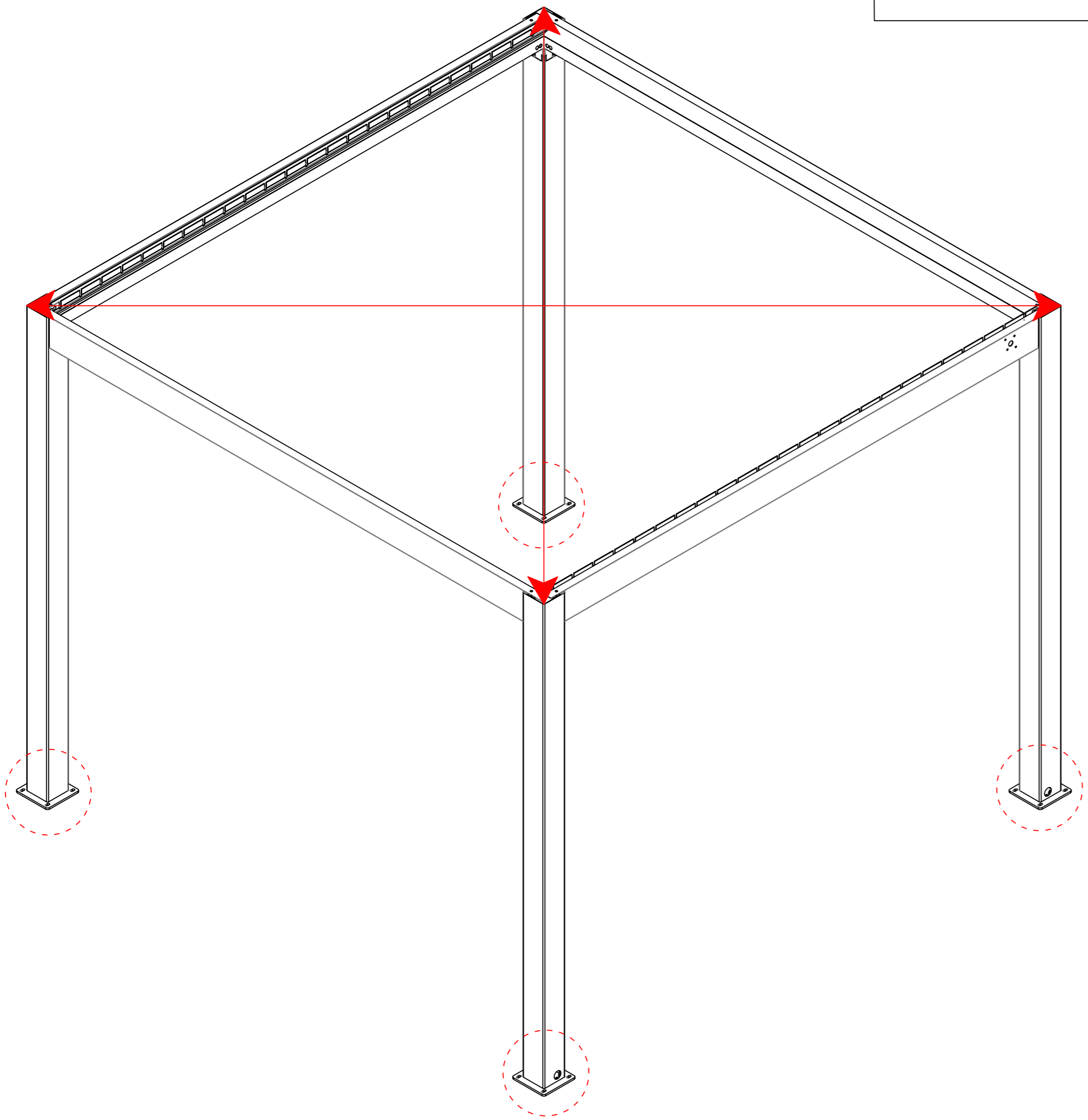
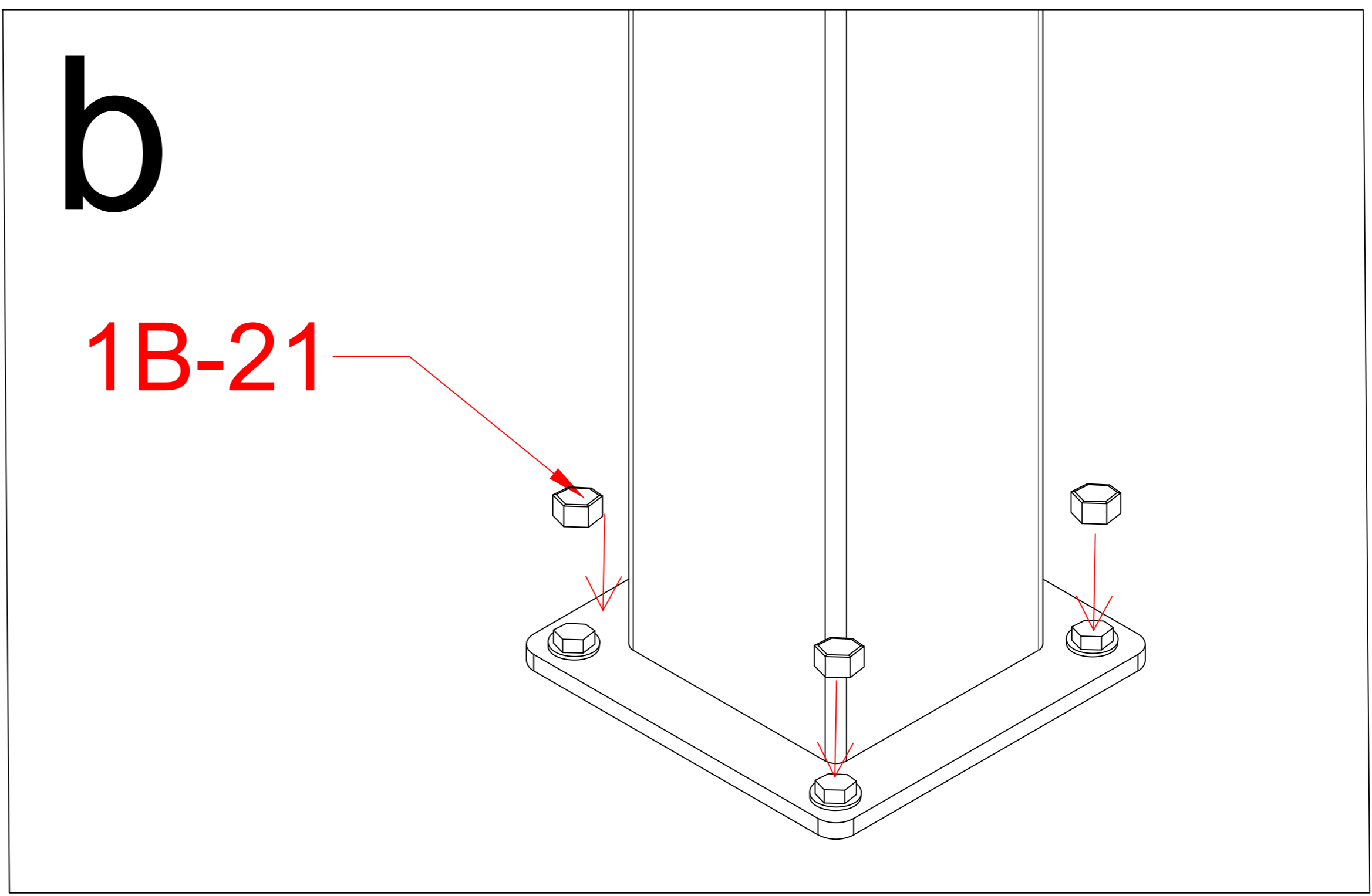
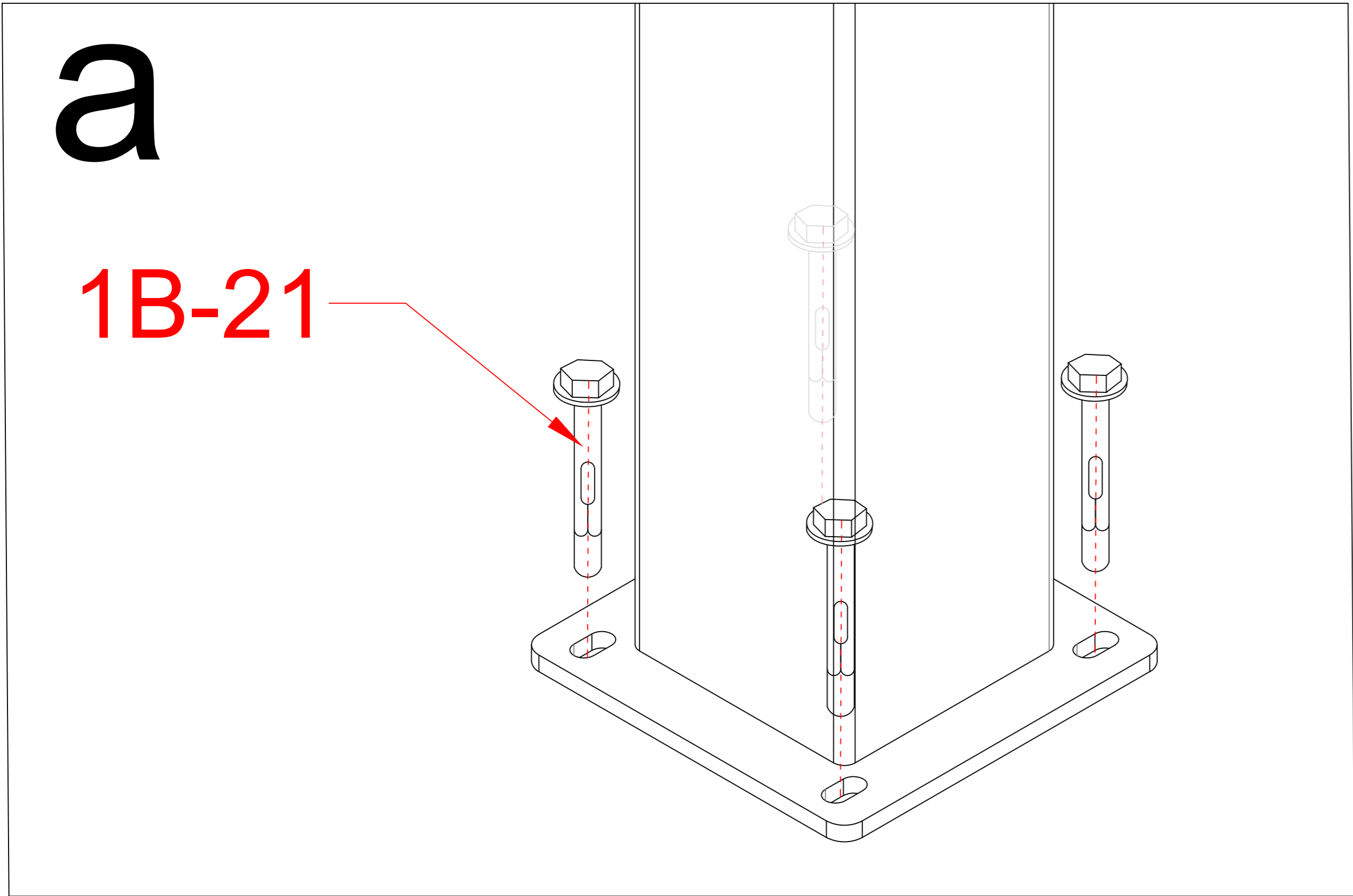






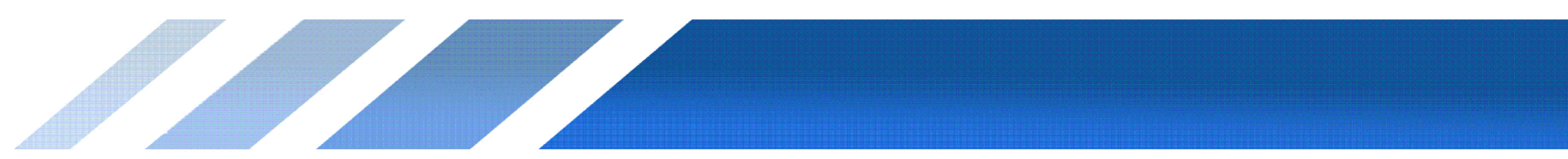
1B-02			1
1B-03			1
1B-18			1

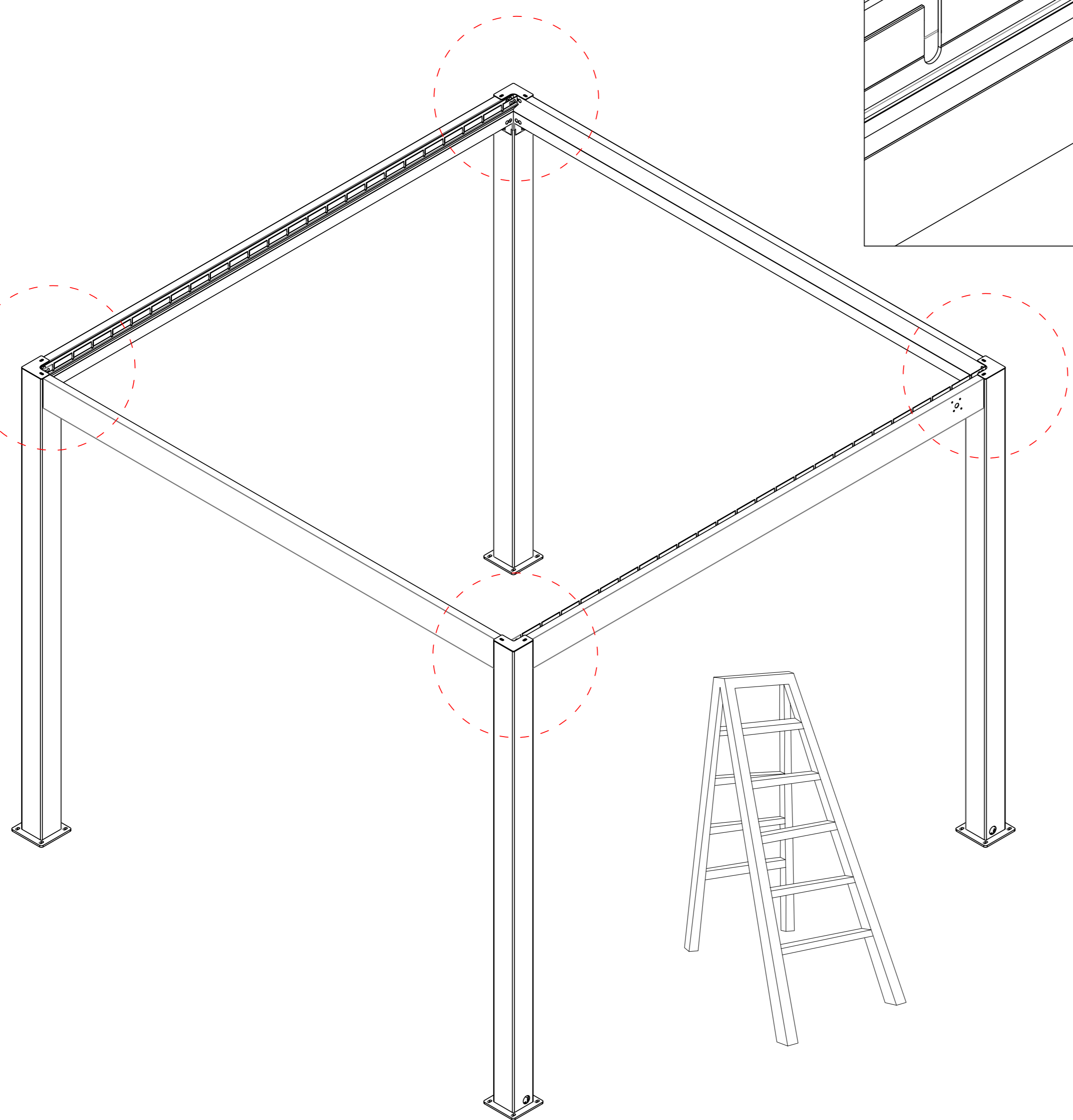
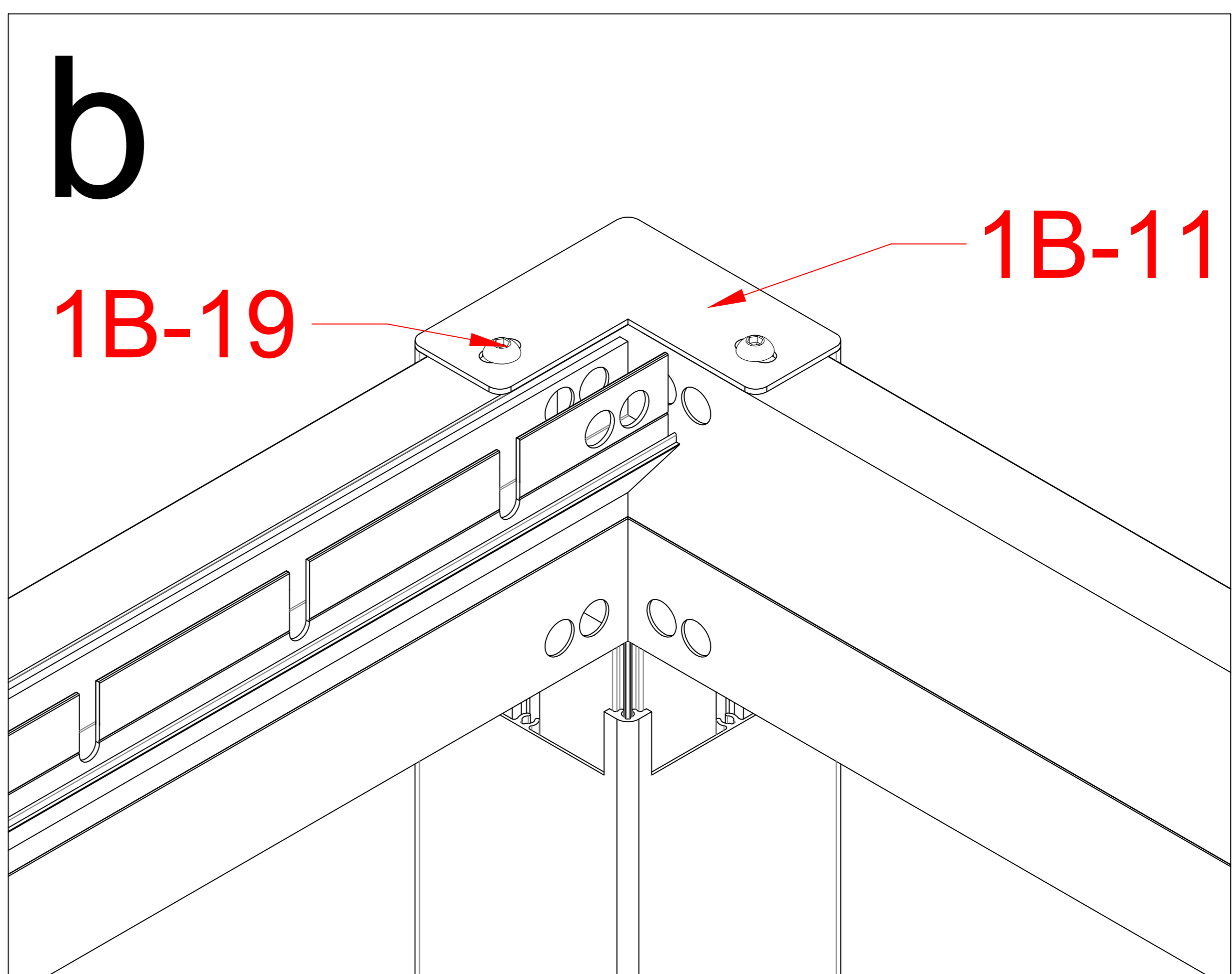
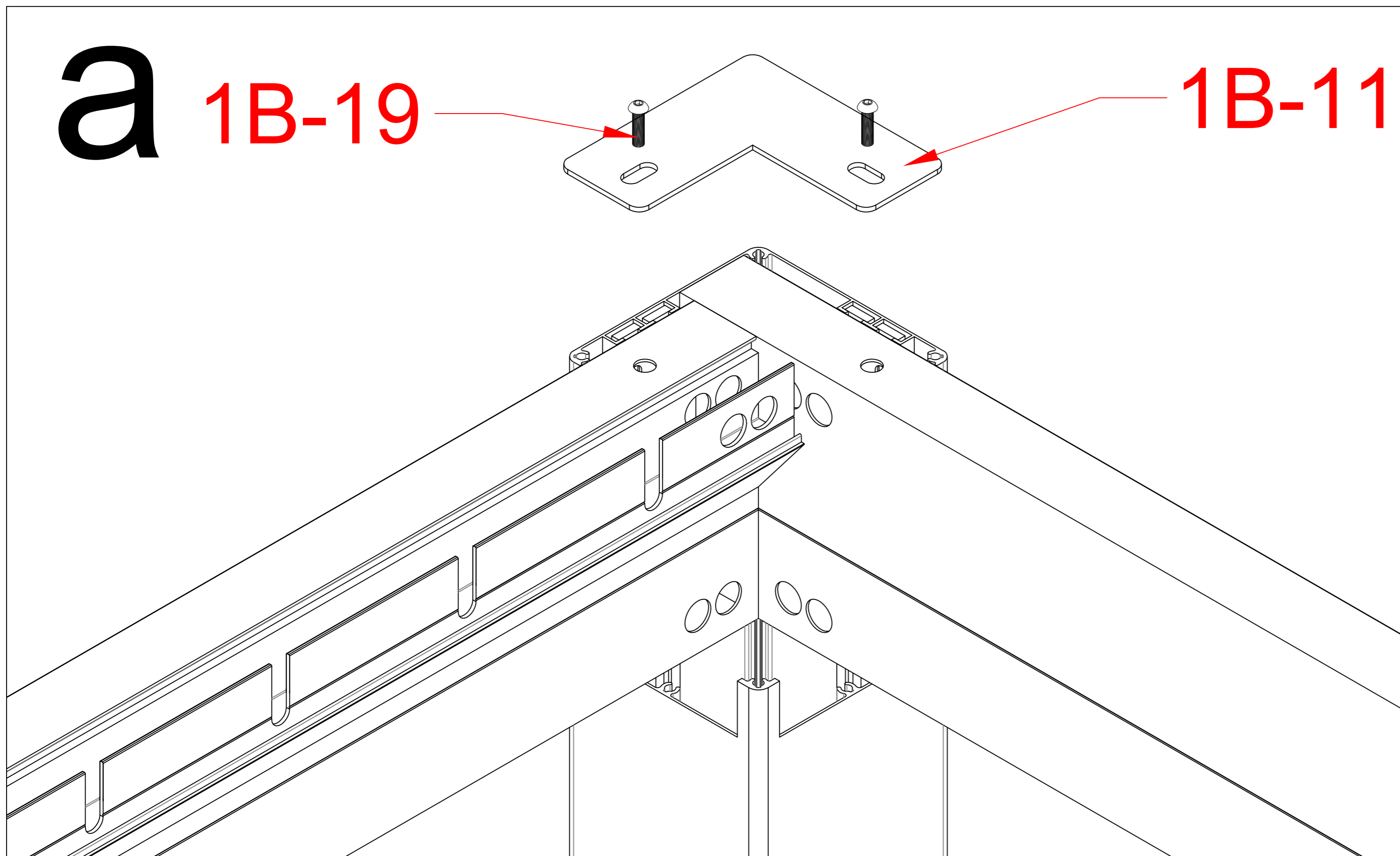


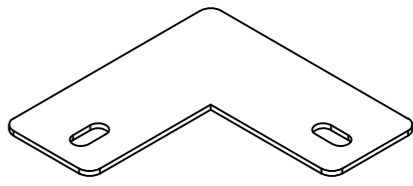
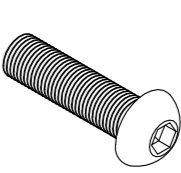


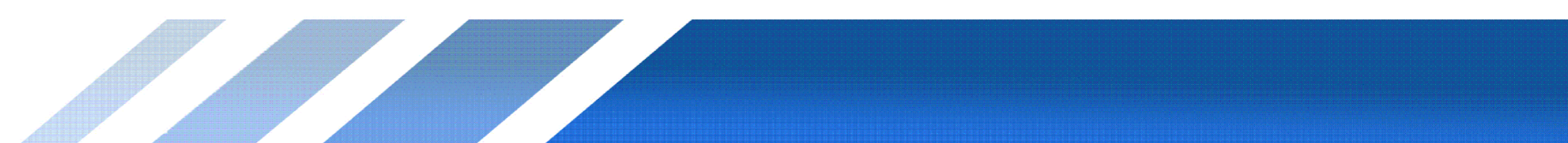
Pls measure the diagonal size and make sure the diagonal size keeps same before screw 1B-21 mounted. If not, pls adjust it to same size.

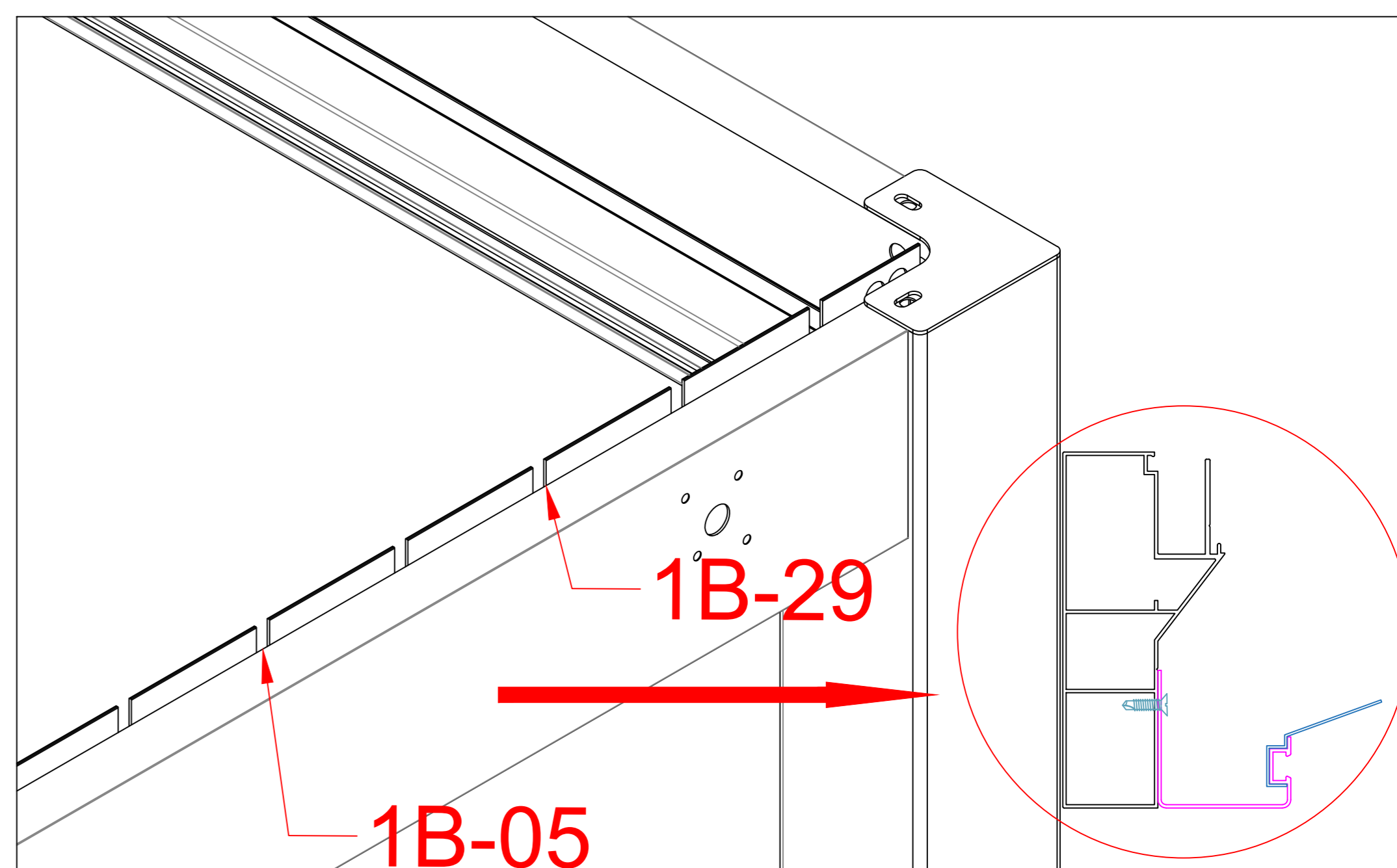
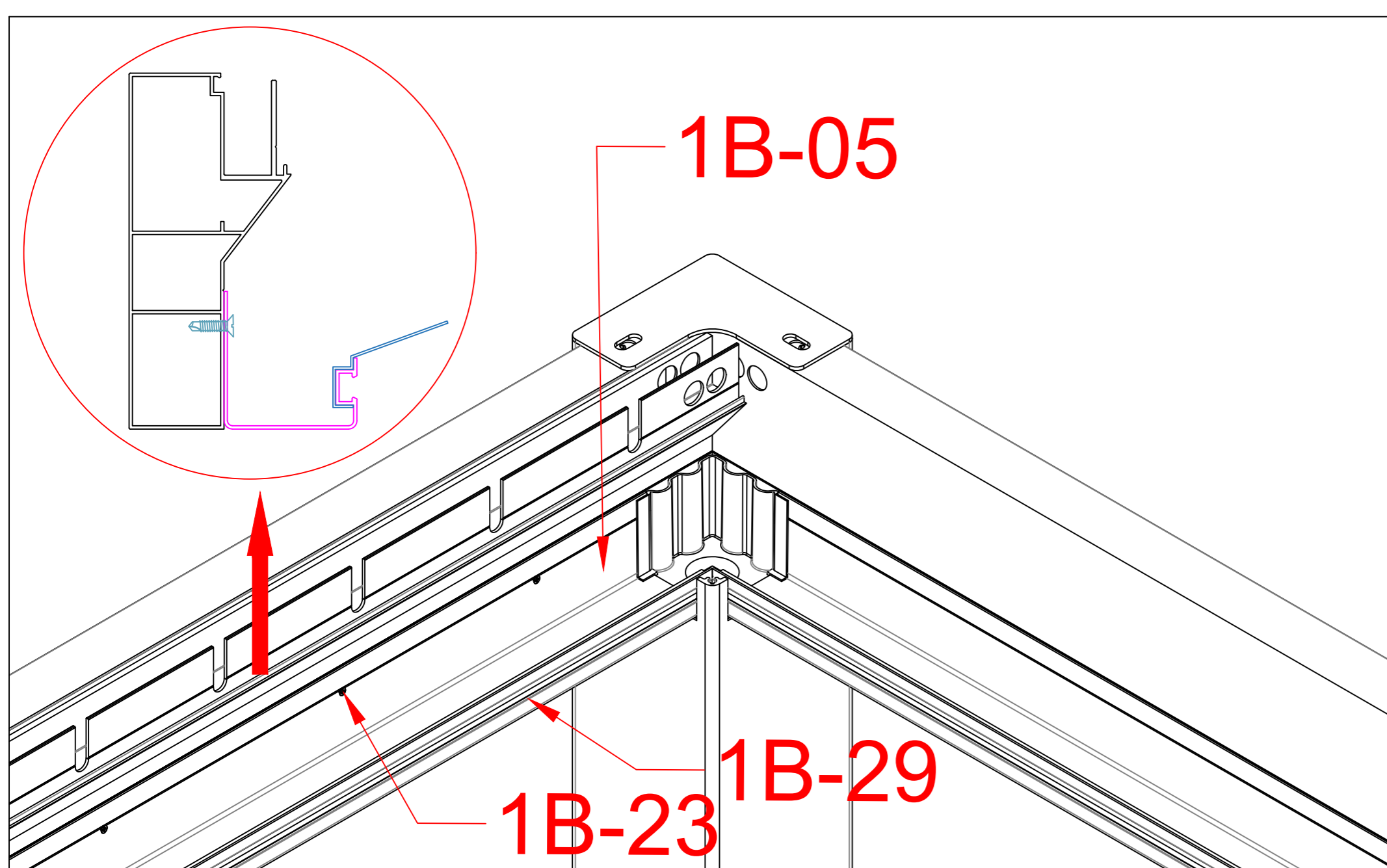
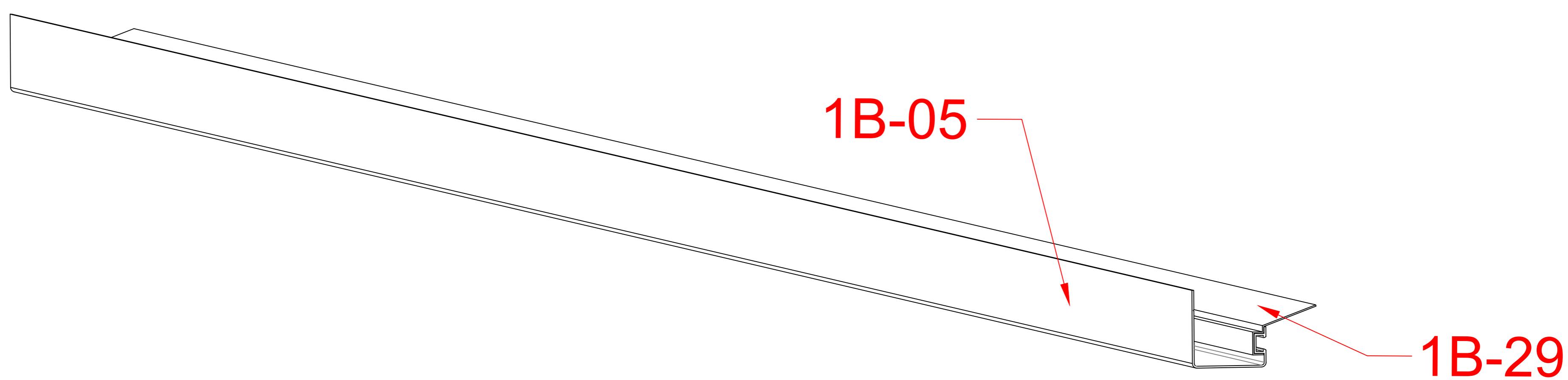
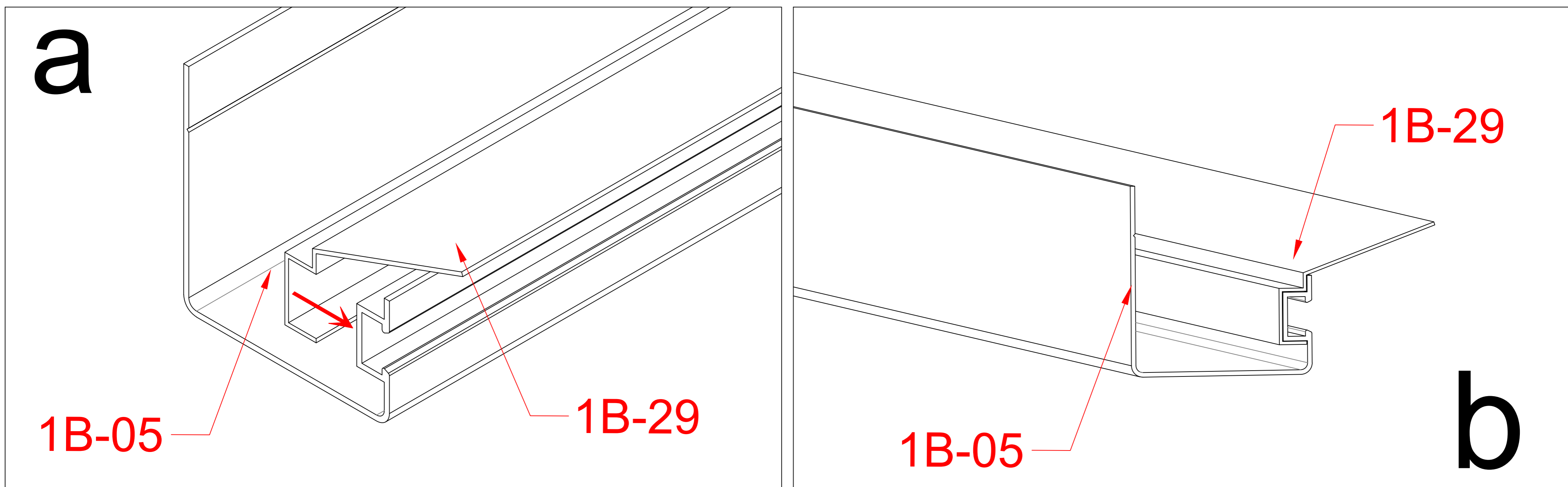
1B-21		16
-------	--	----

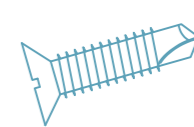
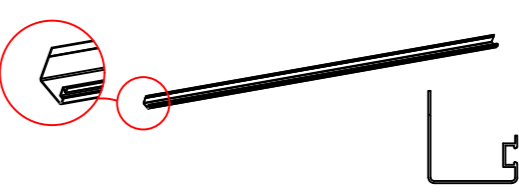



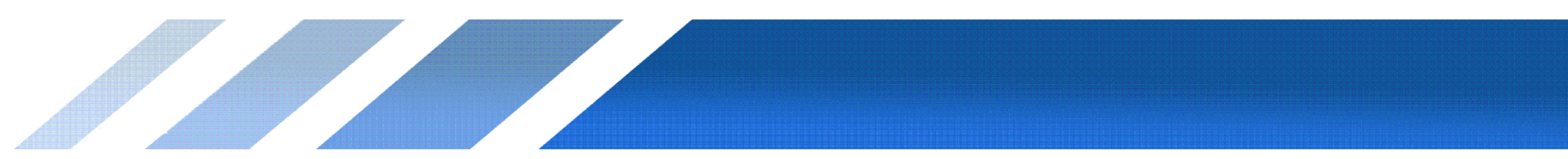


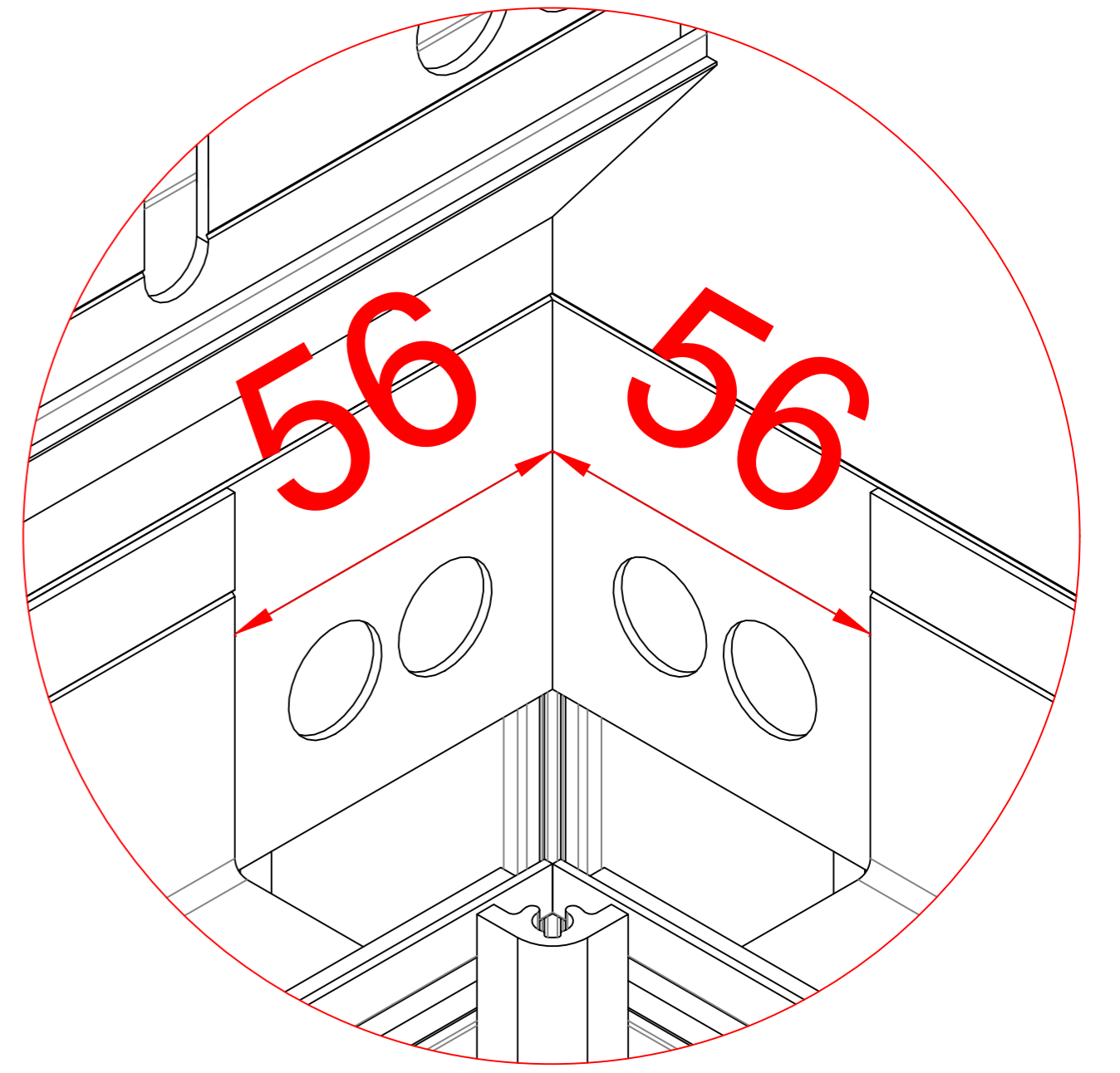
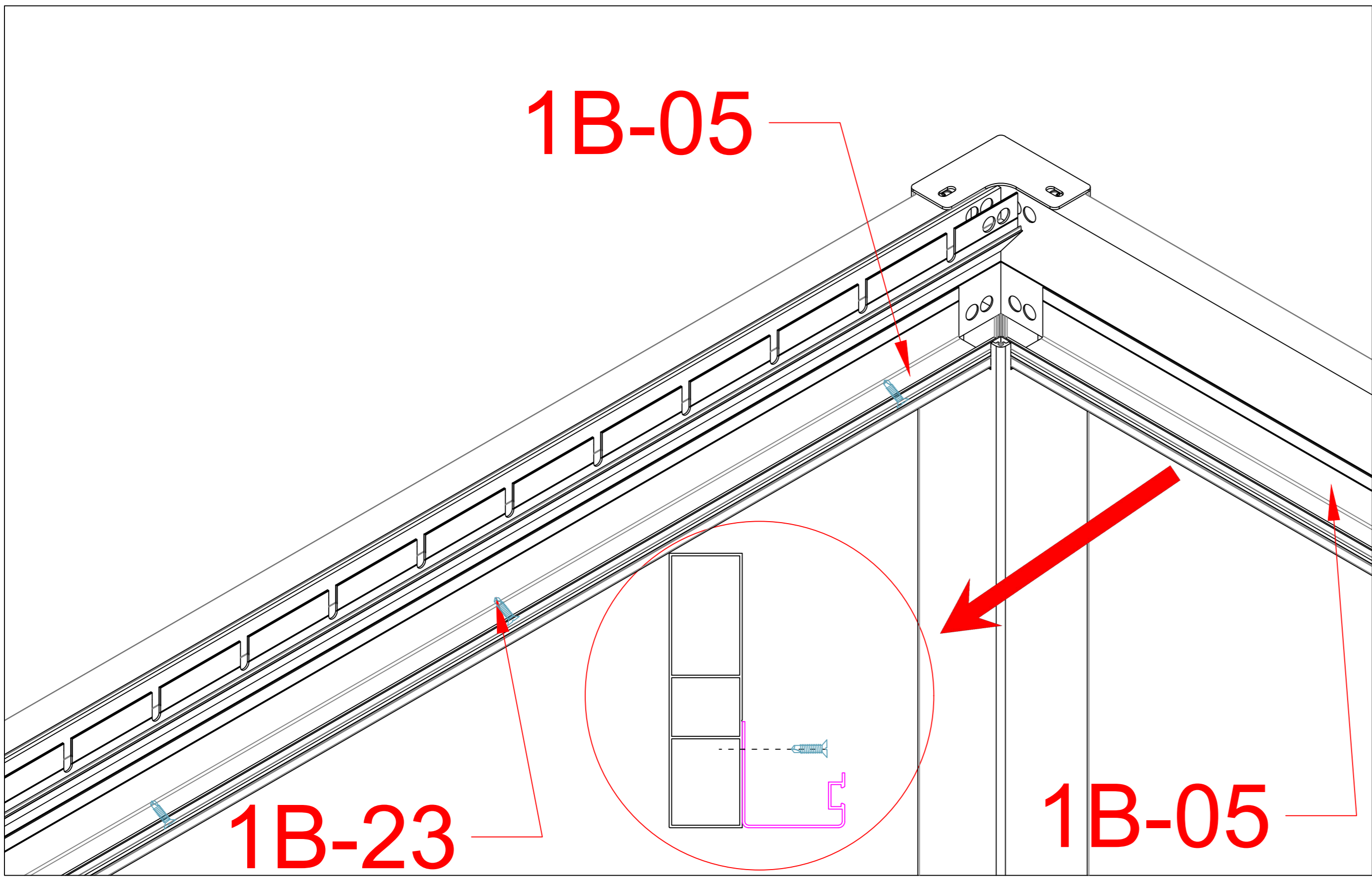
1B-11		4
1B-19		8



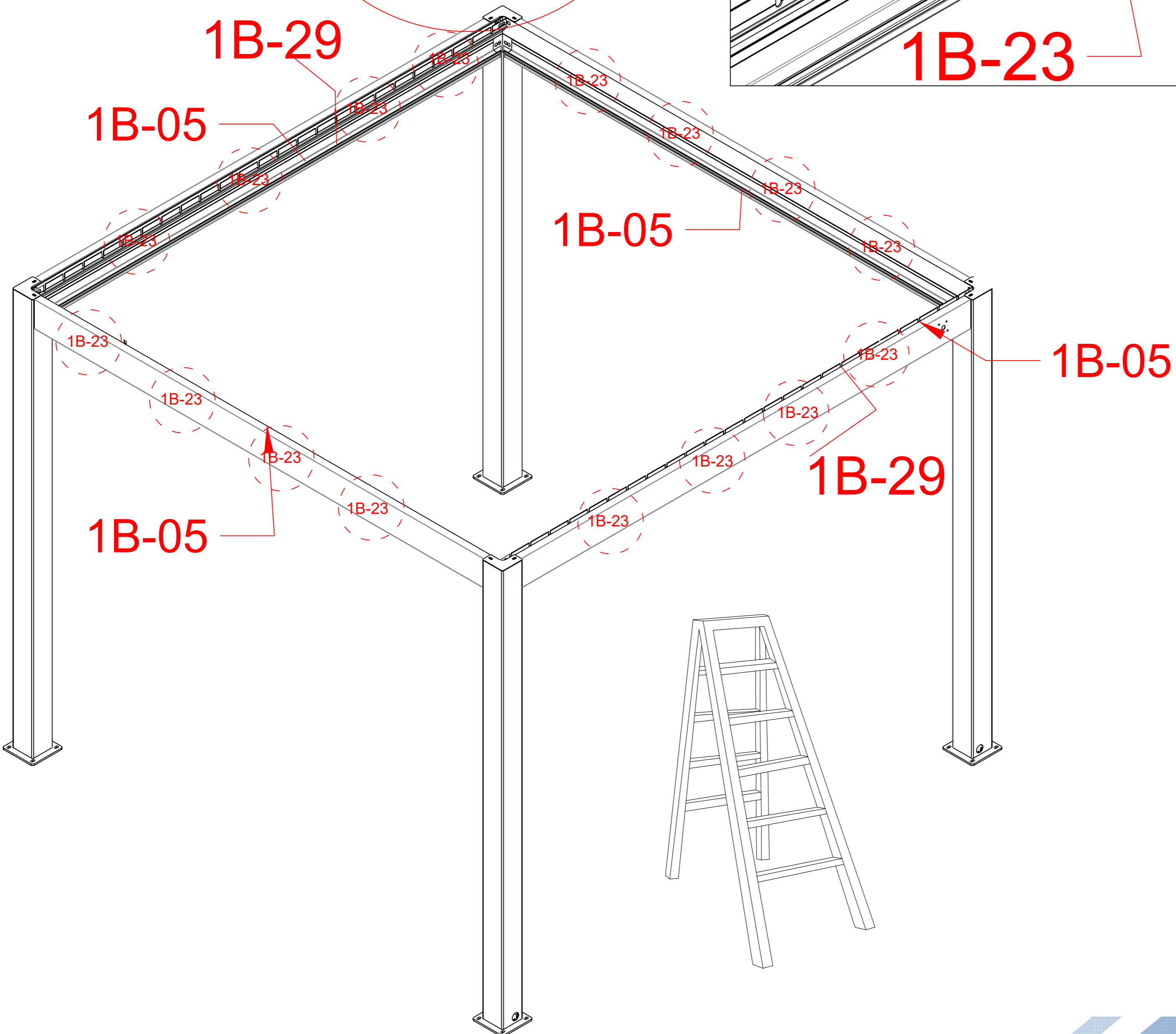
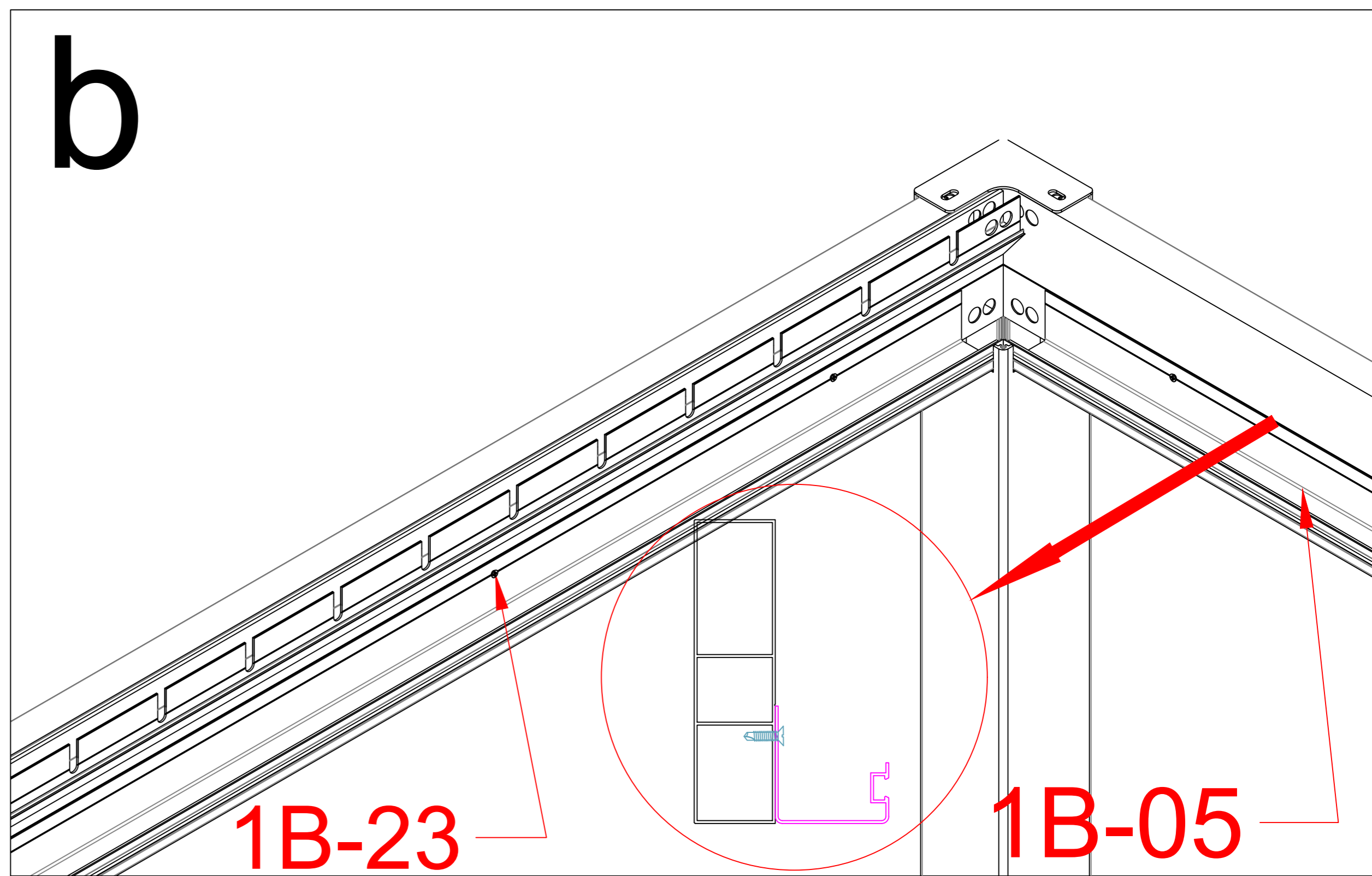


1B-23		8
1B-05		2
1B-29		2



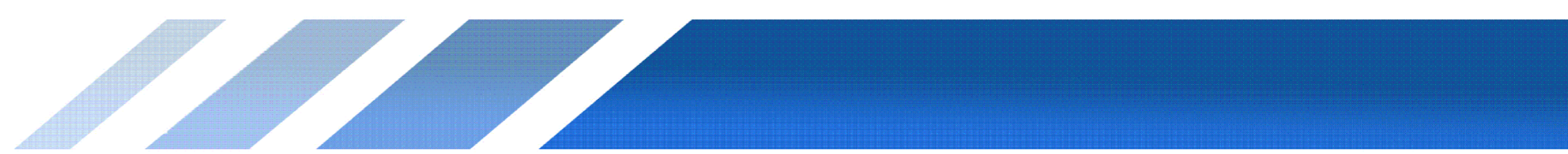


**Warning:**  
 Before installation, tear off the protective film of the tape on the back side of Gutter.



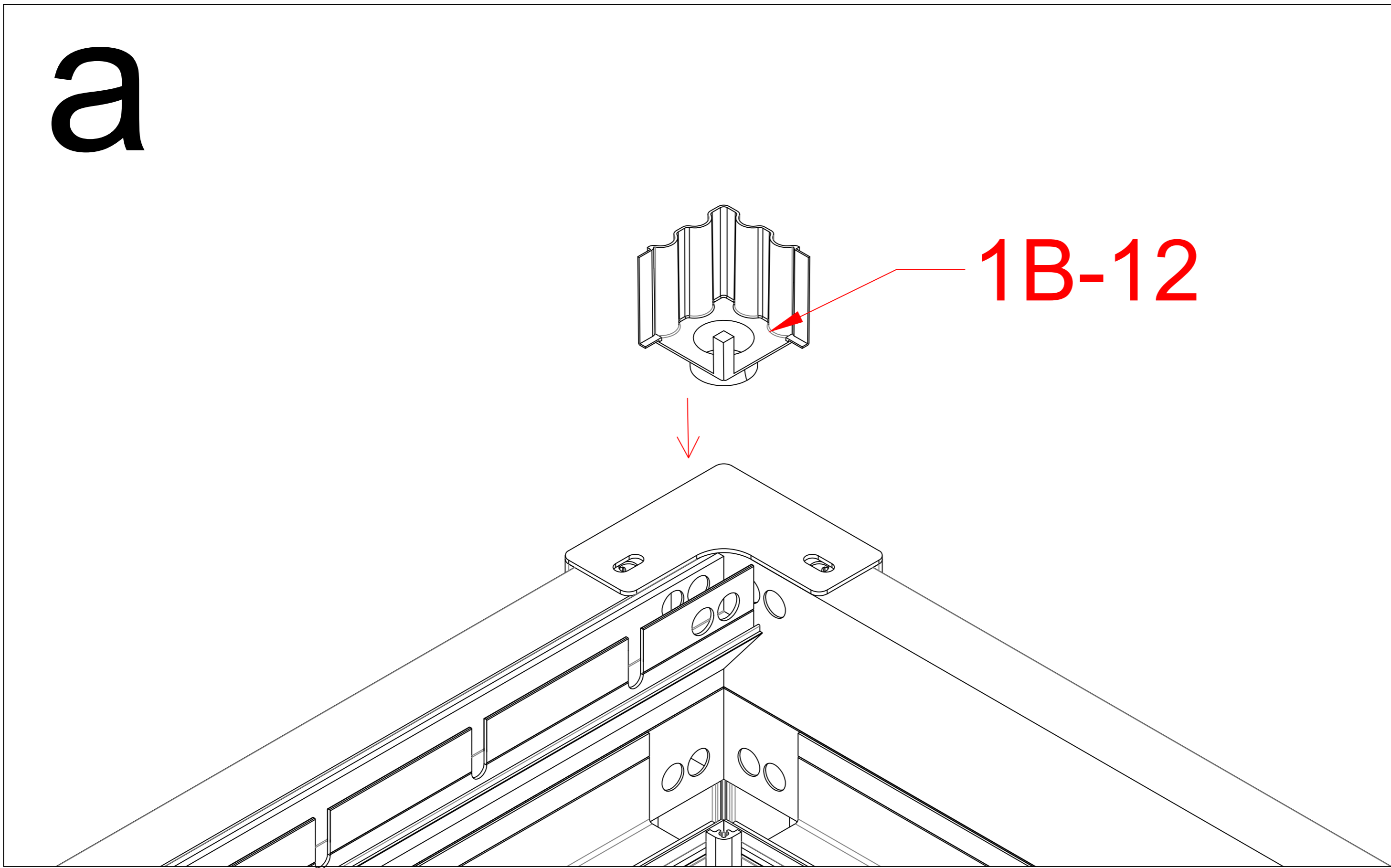
3\*3m-16    4screws/3m side

1B-05		2
1B-23		8

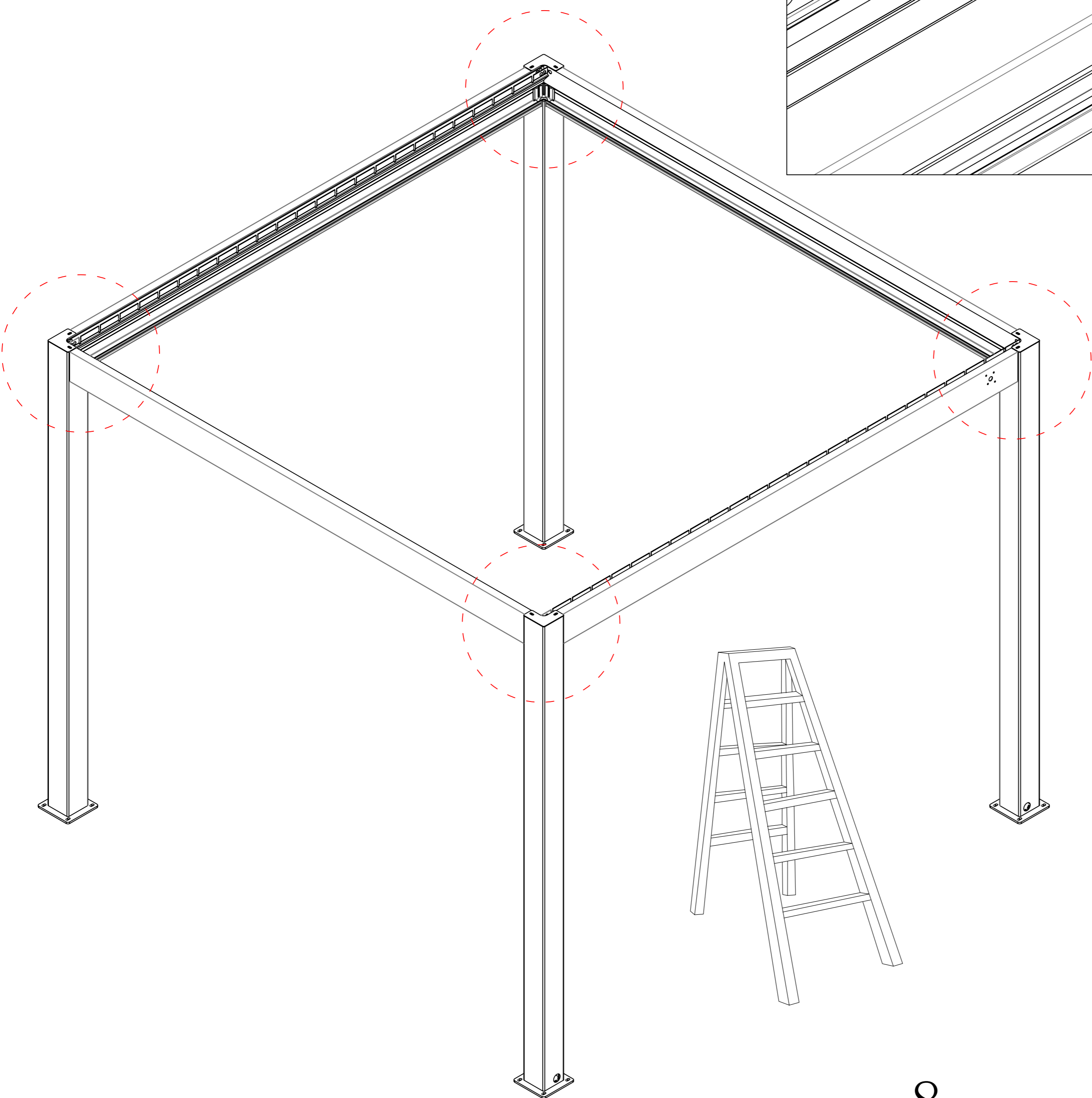
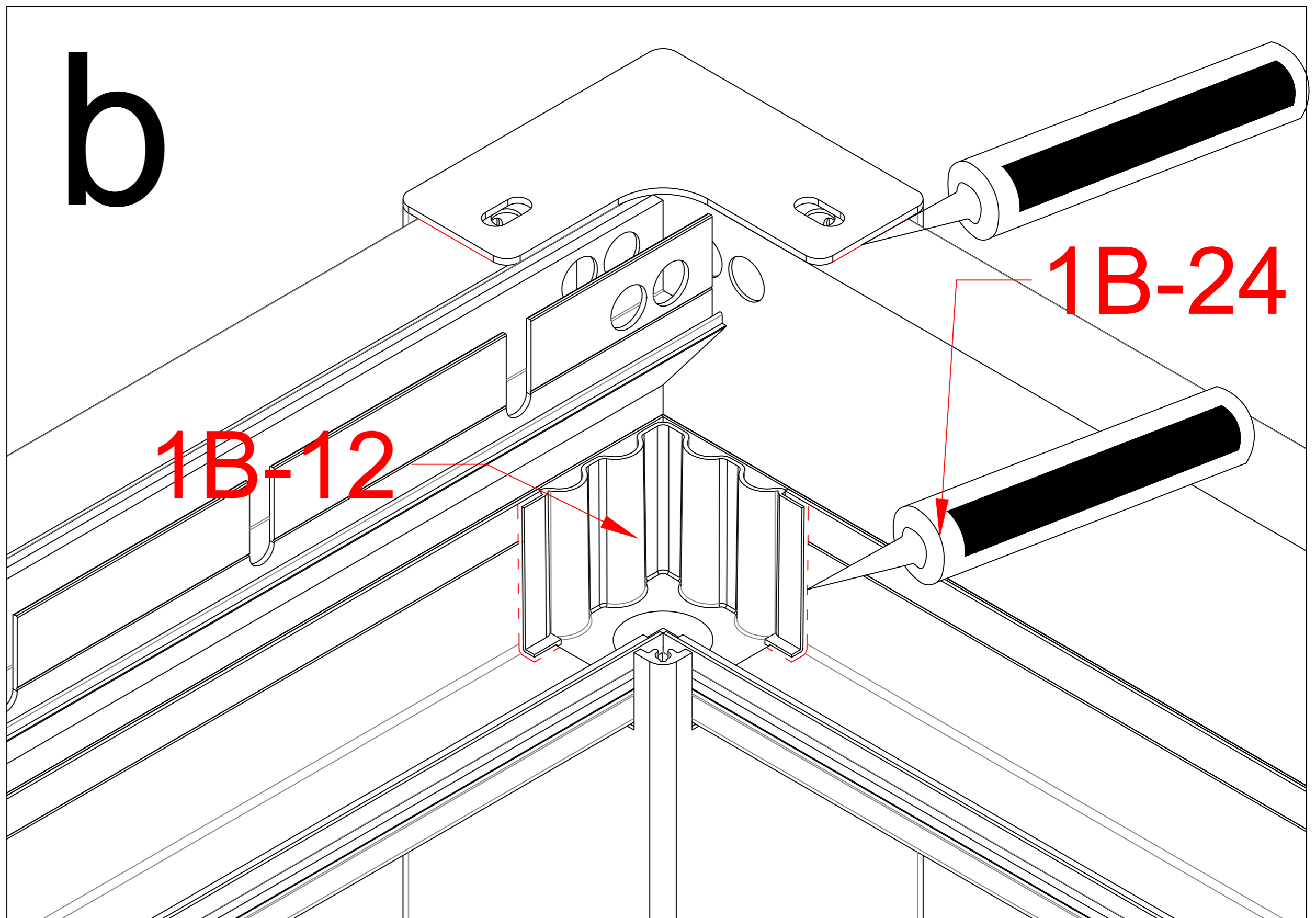


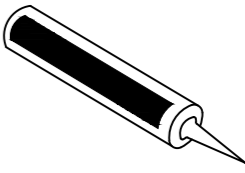
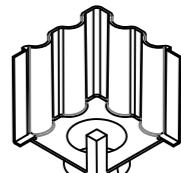


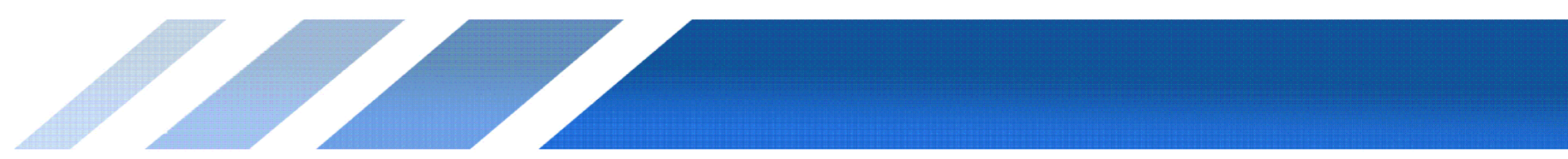
a

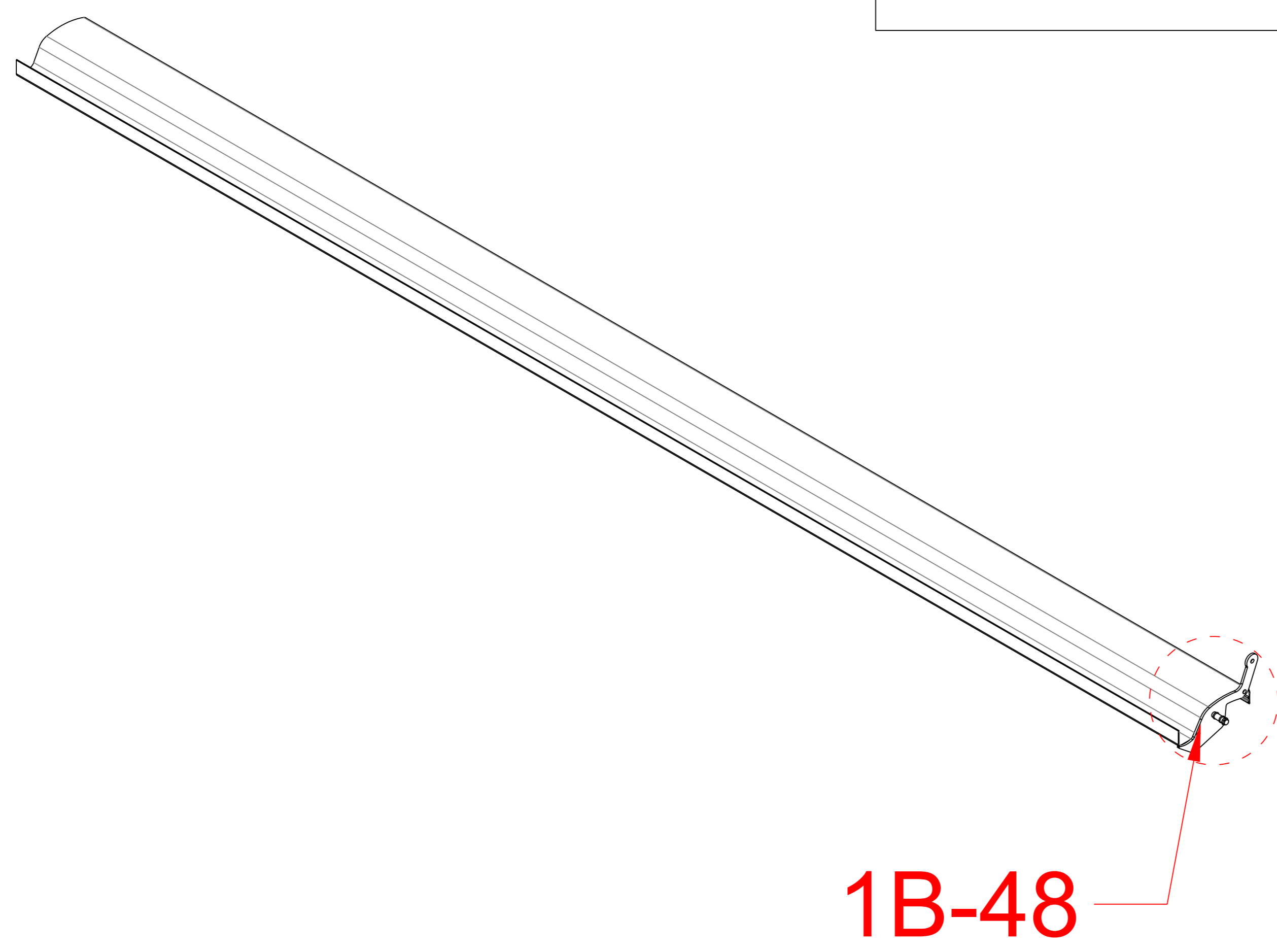
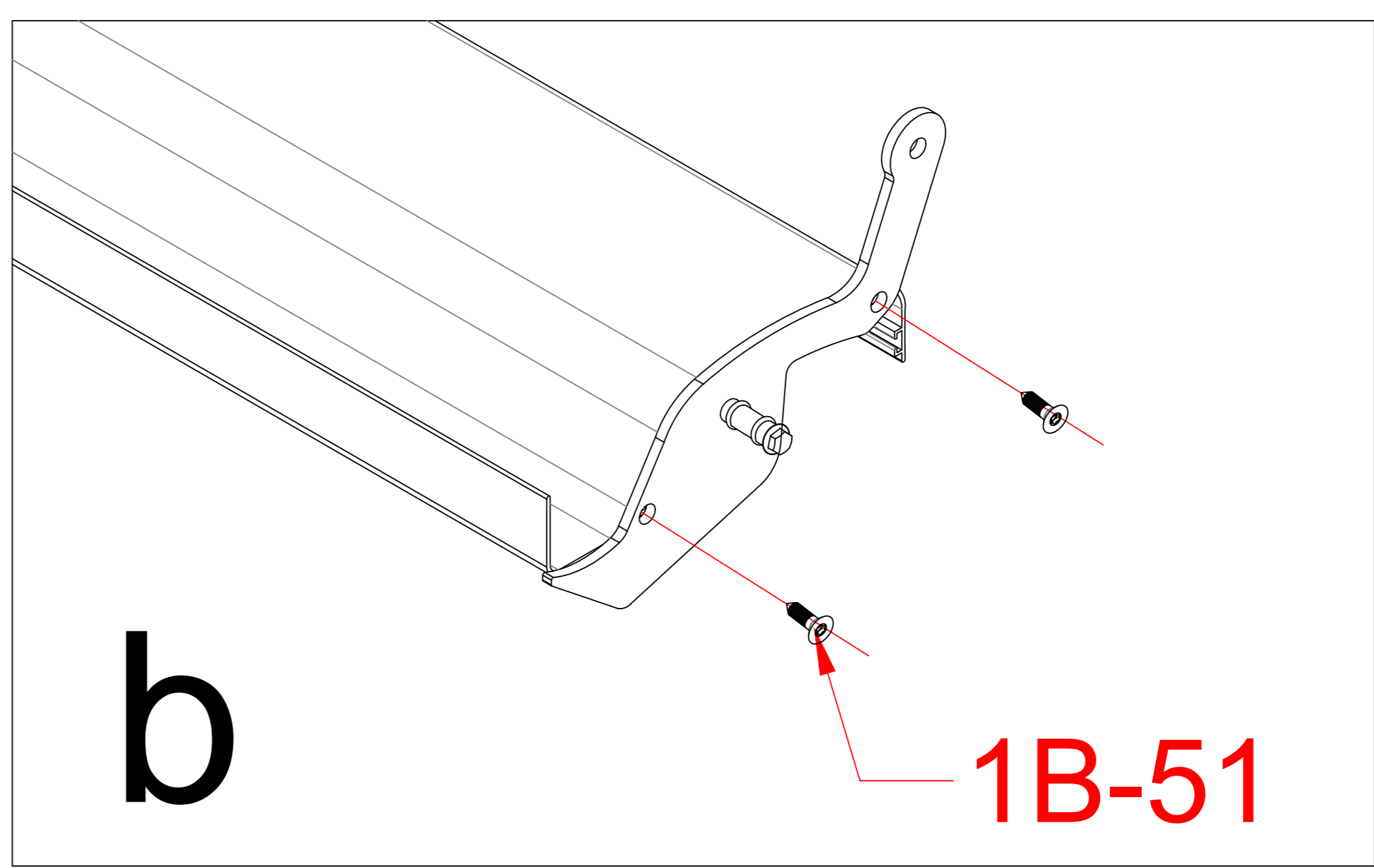
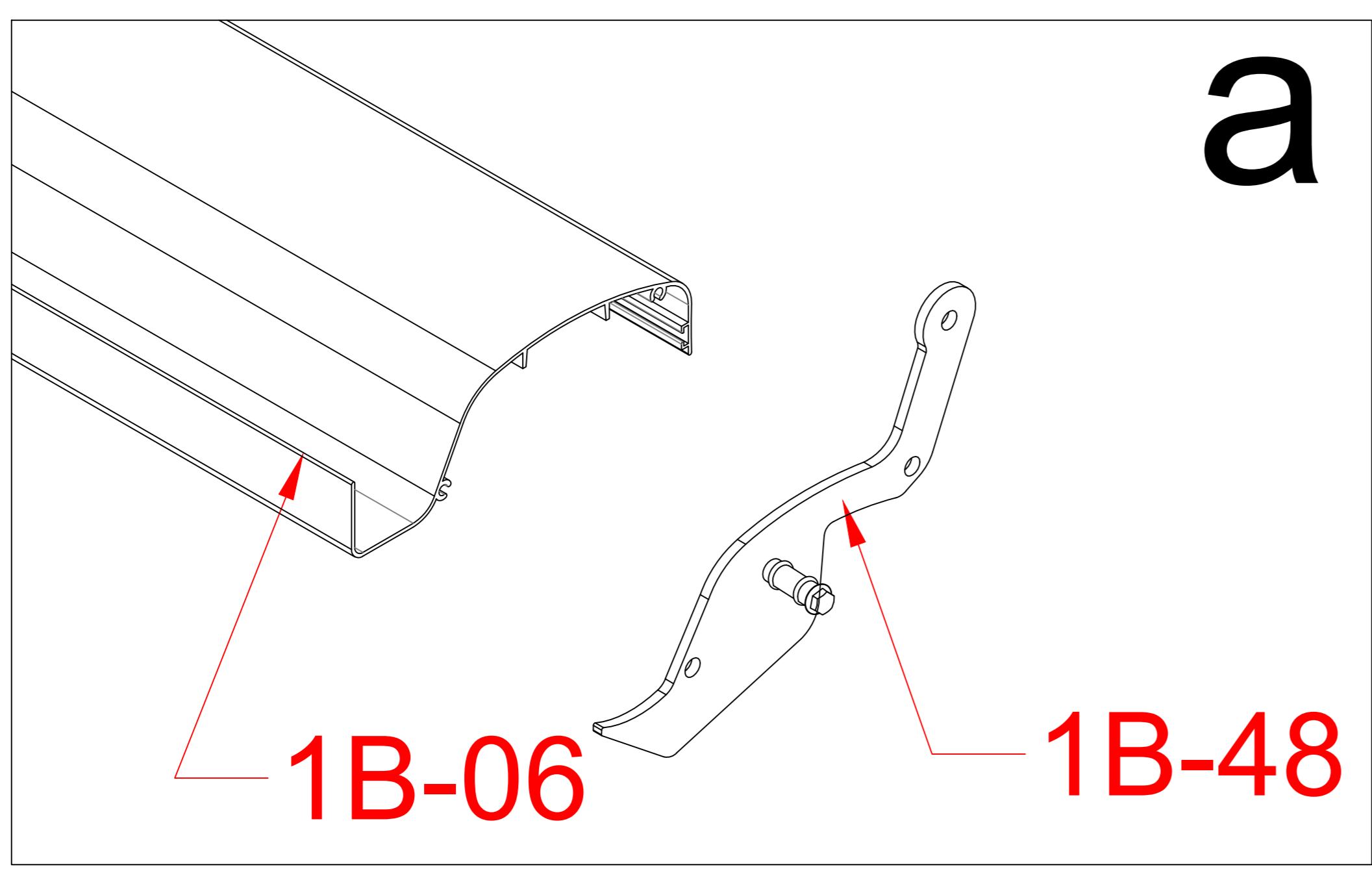


b

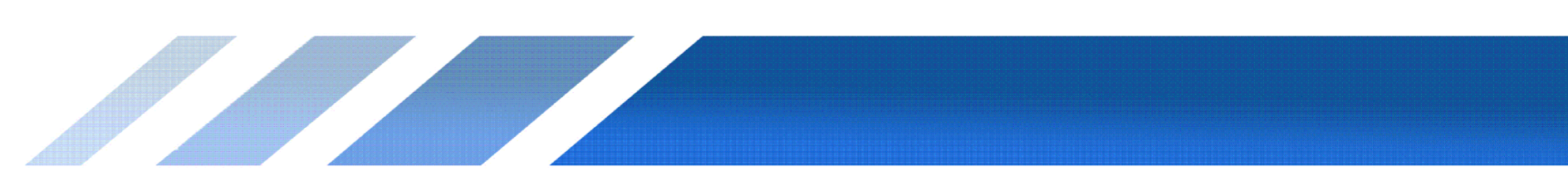


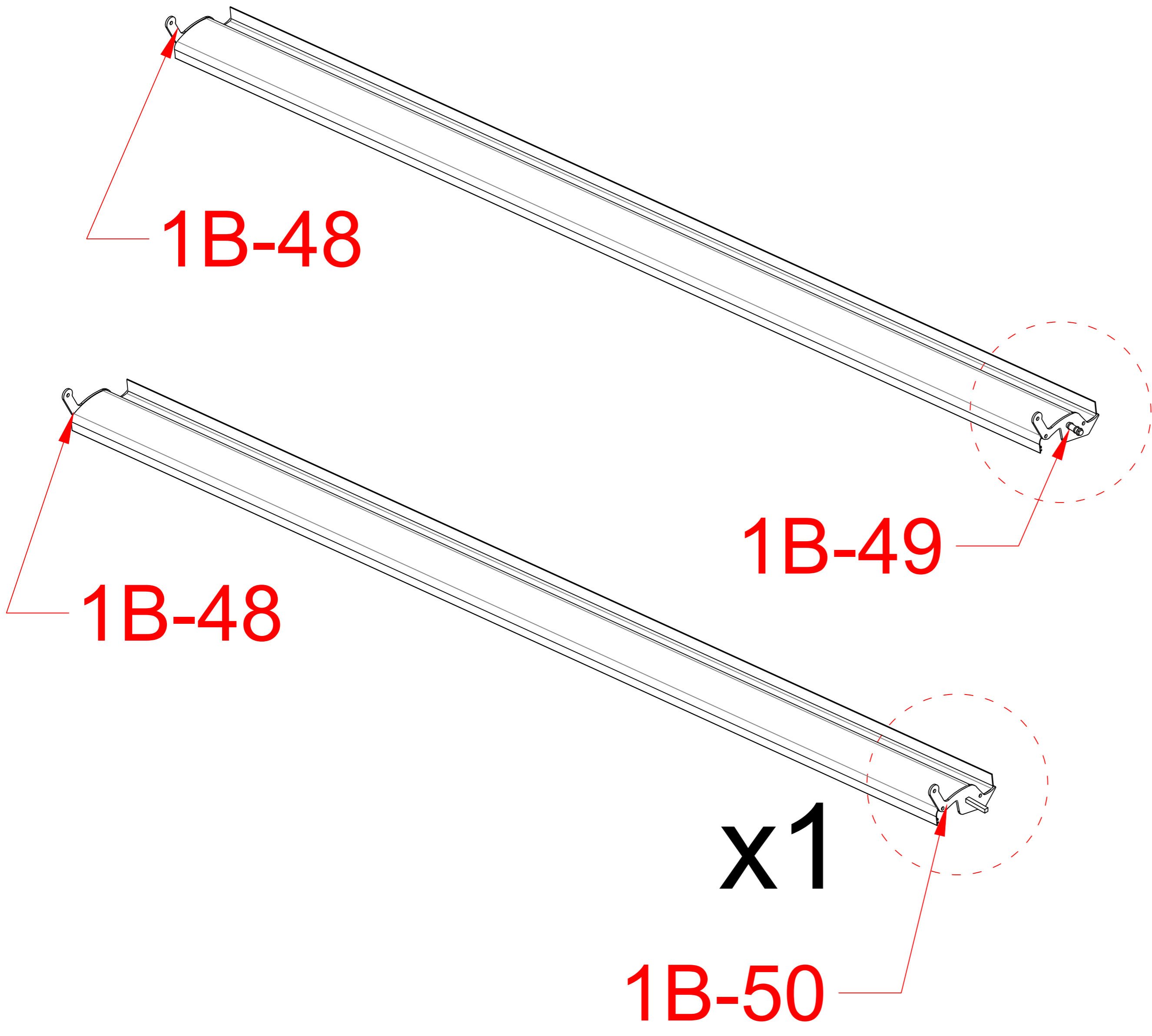
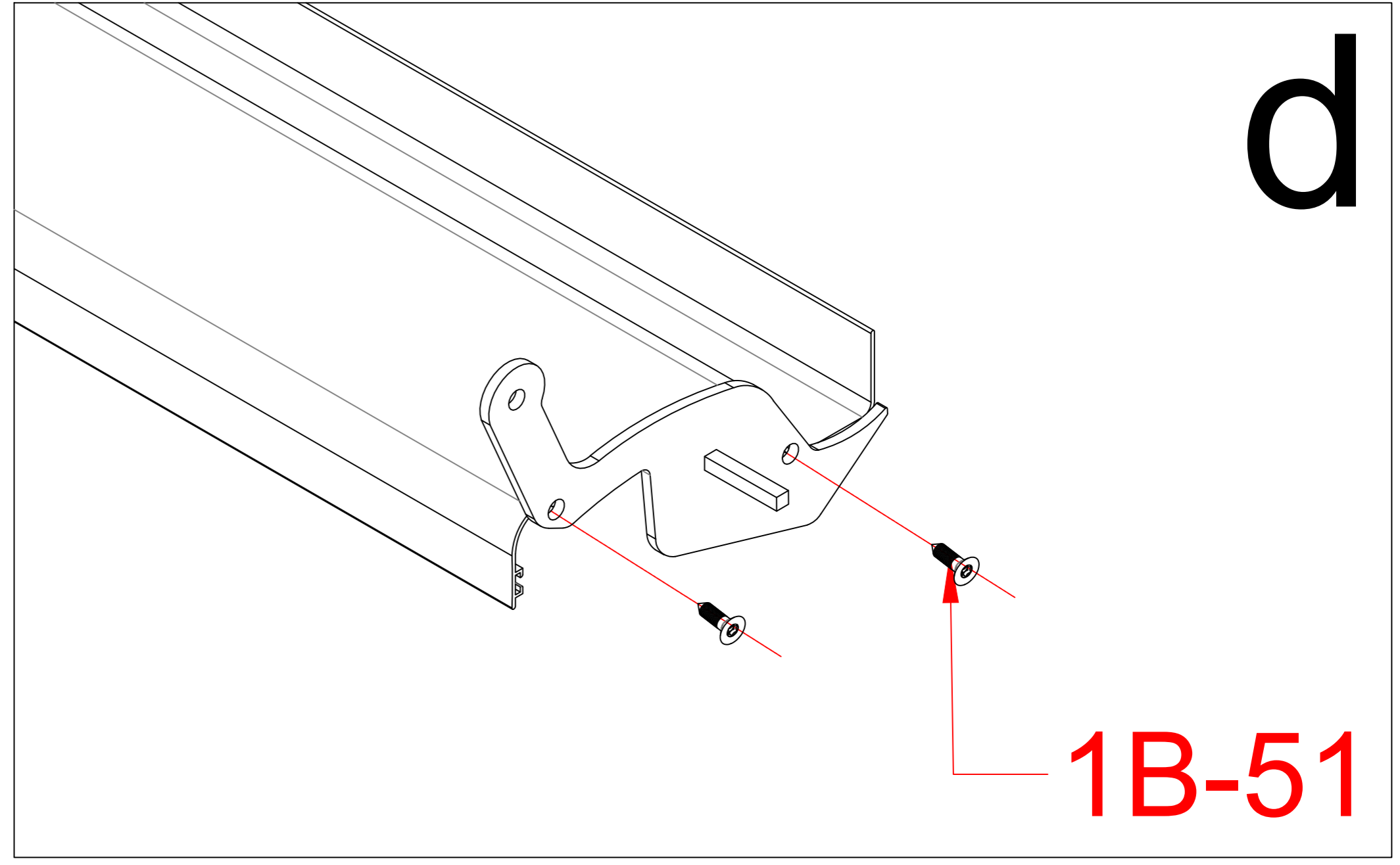
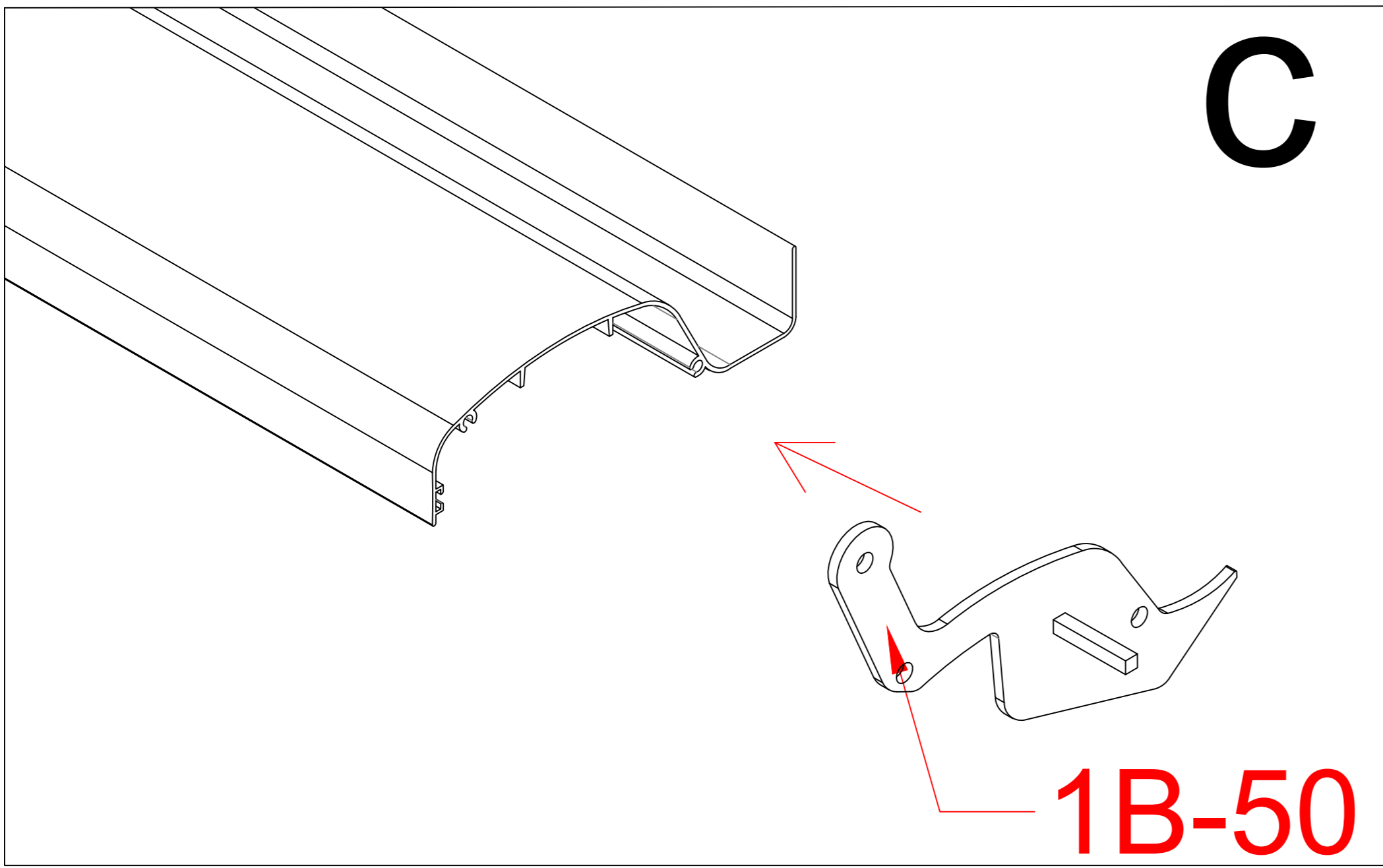
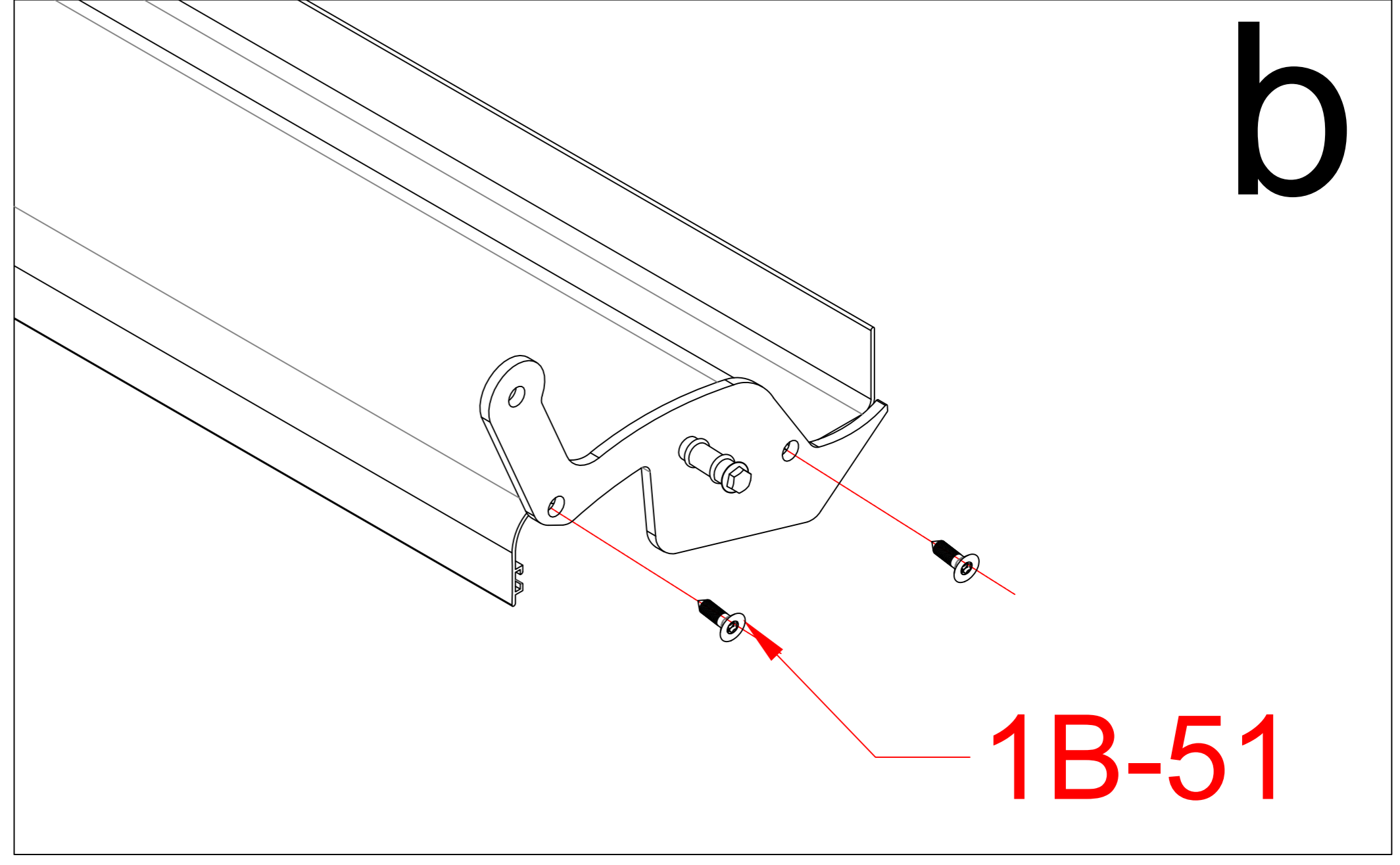
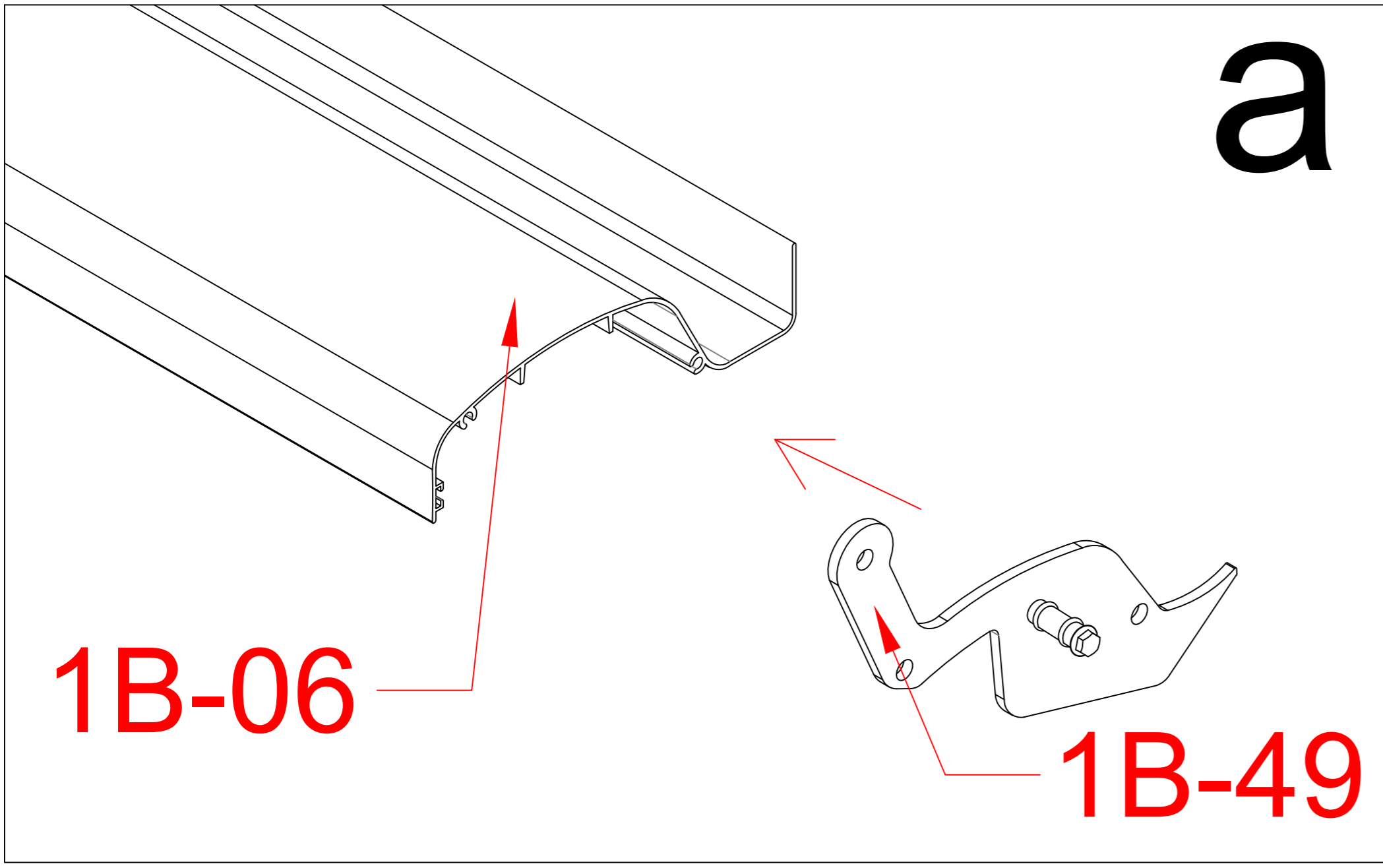
1B-24		1
1B-12		4



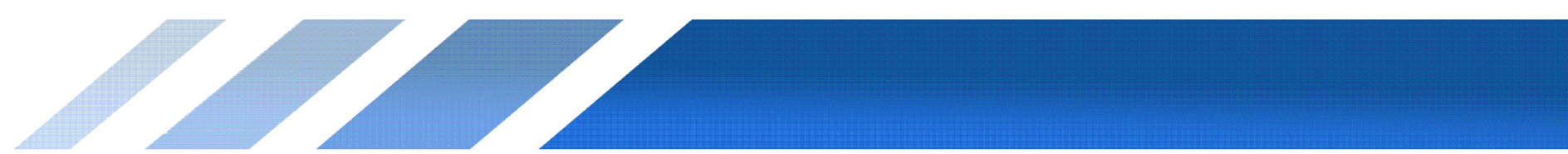


1B-64		1
1B-51	 M3.5*25	48
1B-06		24
1B-48		24





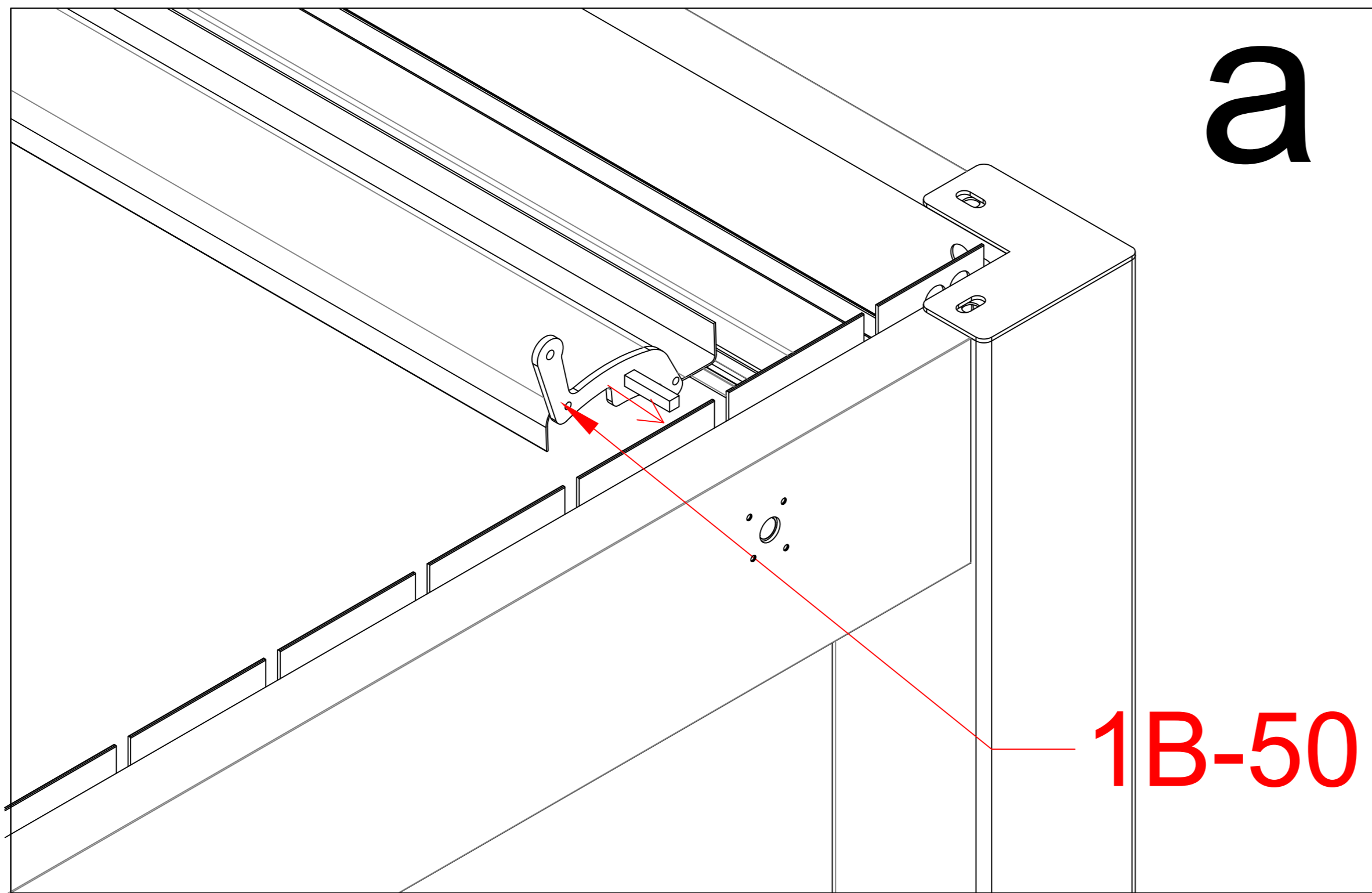
1B-64		1
1B-49		23
1B-50		1
1B-51		48



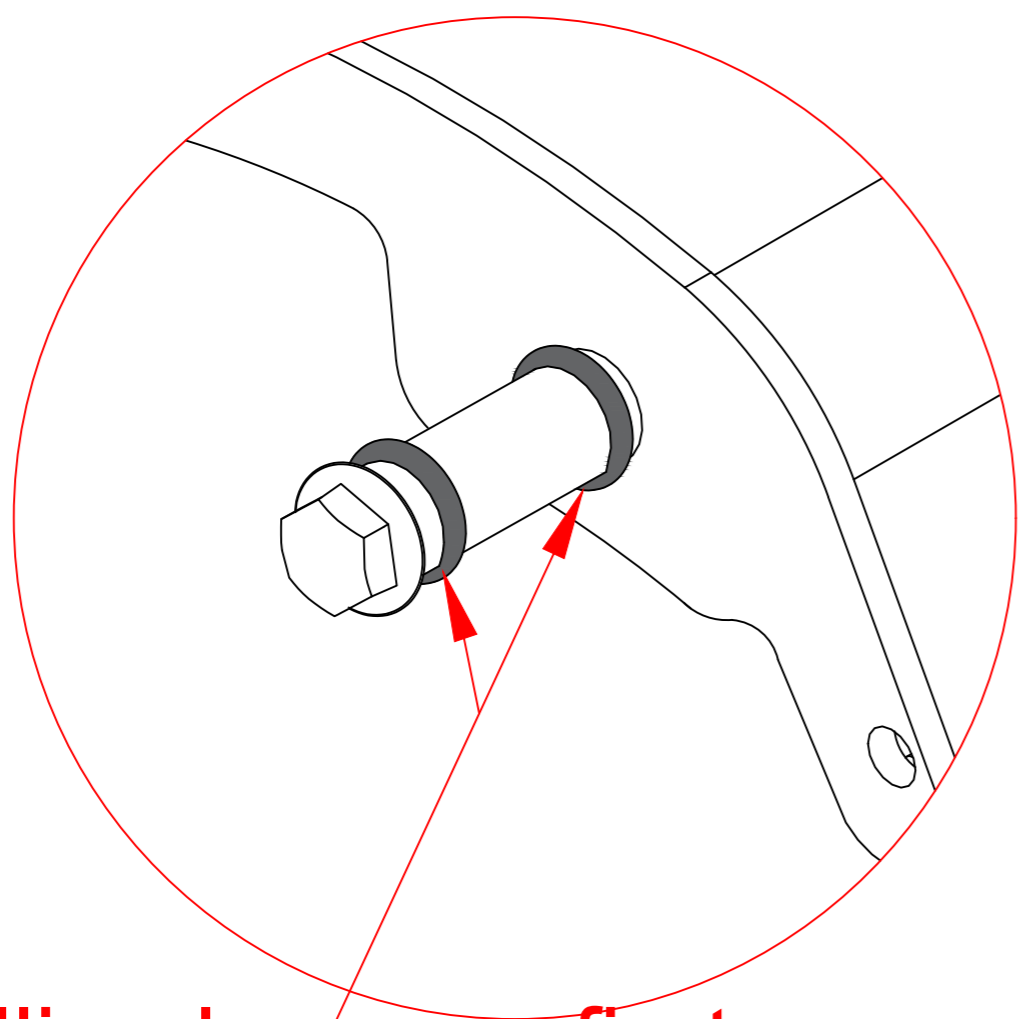




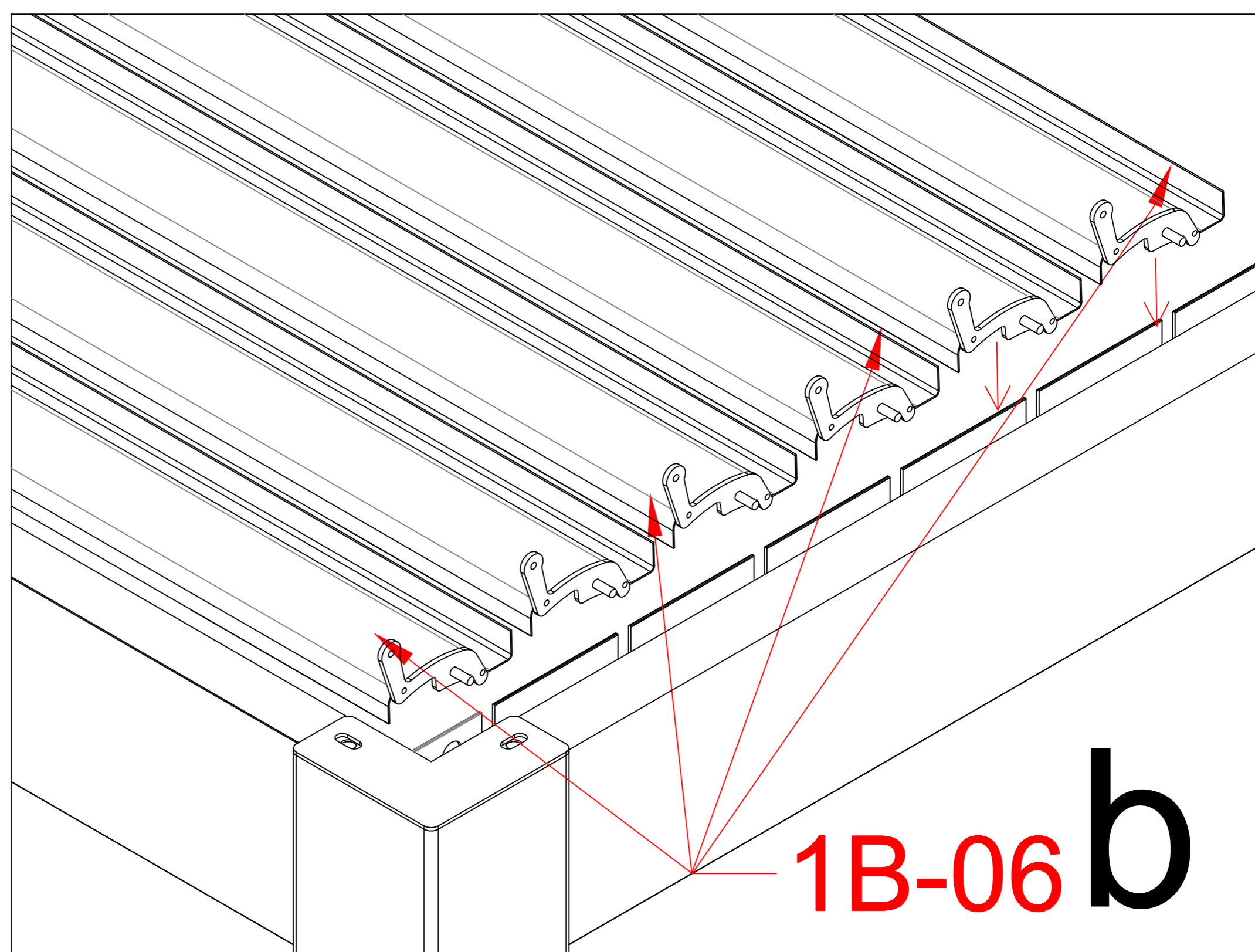
a



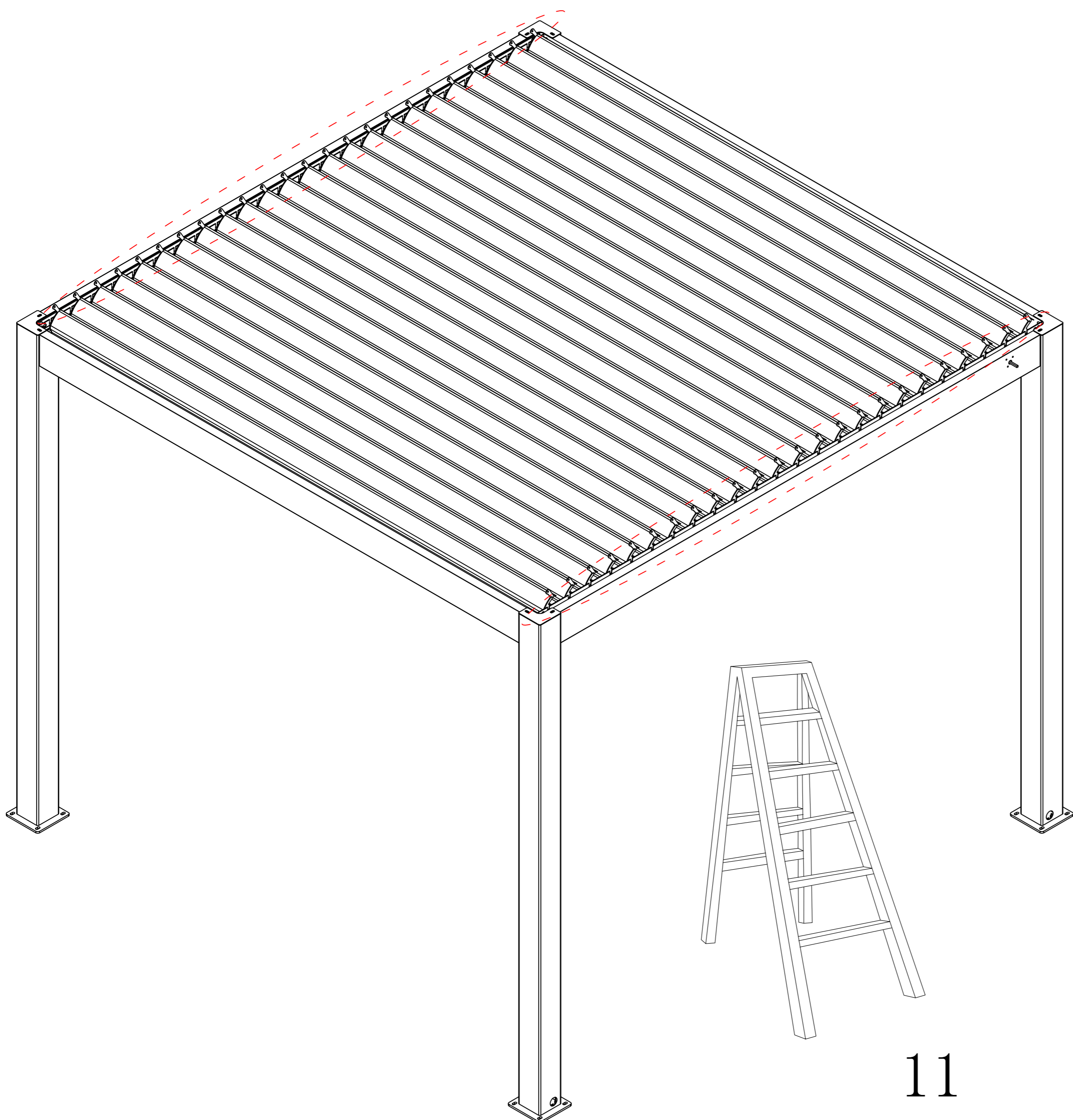
1B-50



When installing louvers, first separate the two rubber gaskets and slide them to both ends of the circular shaft. Then, please ensure they are closed tightly before proceeding with the next steps of the installation.

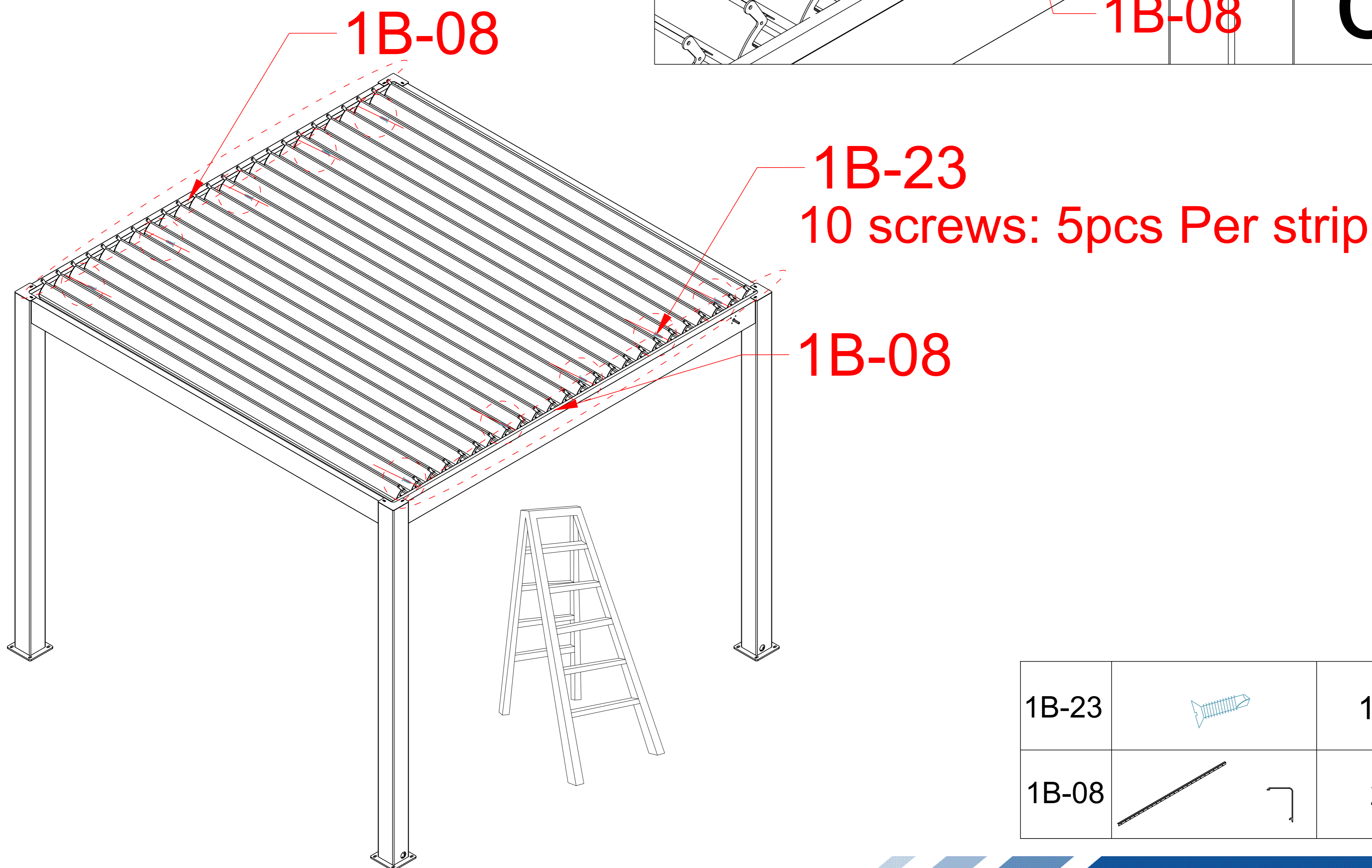
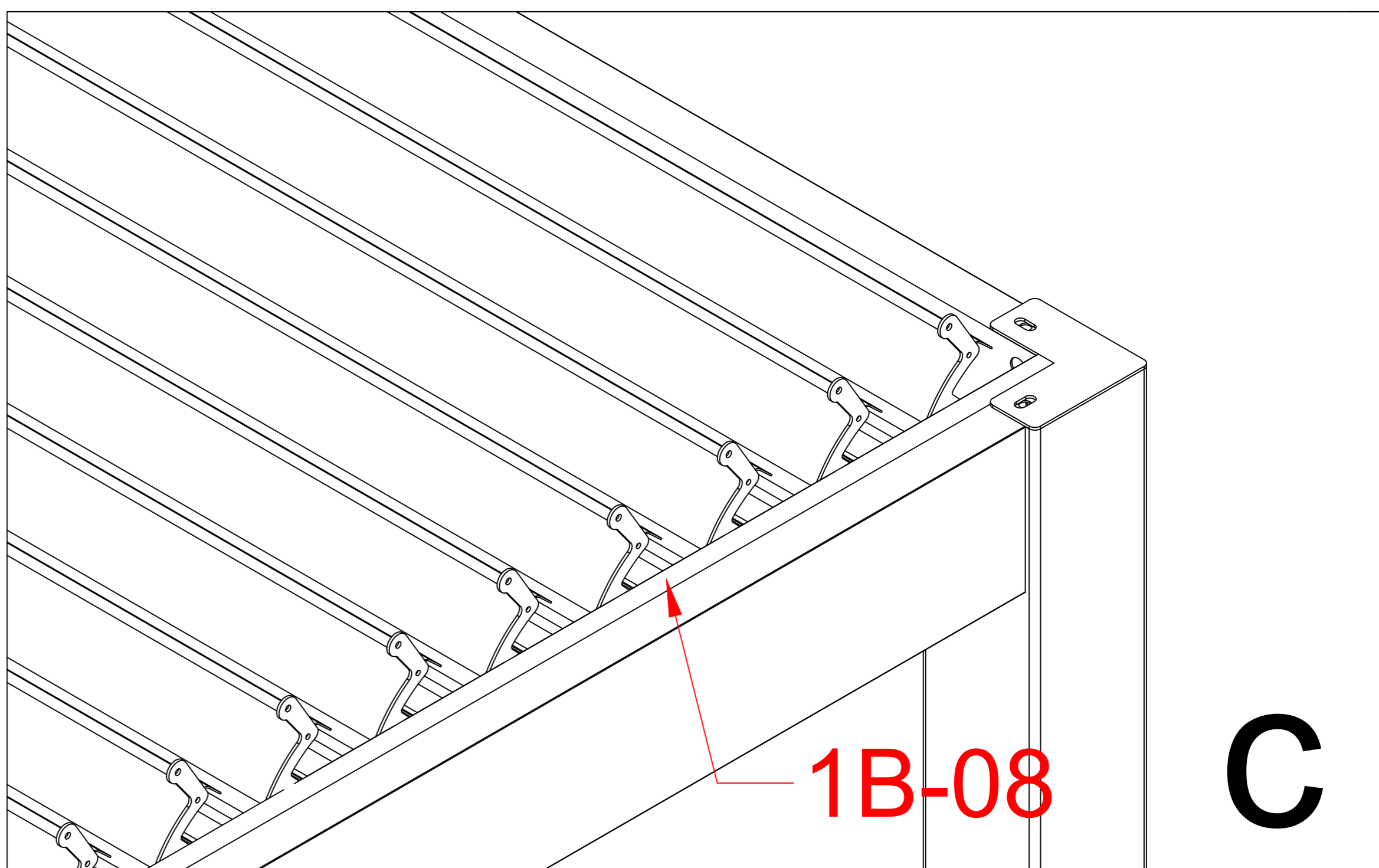
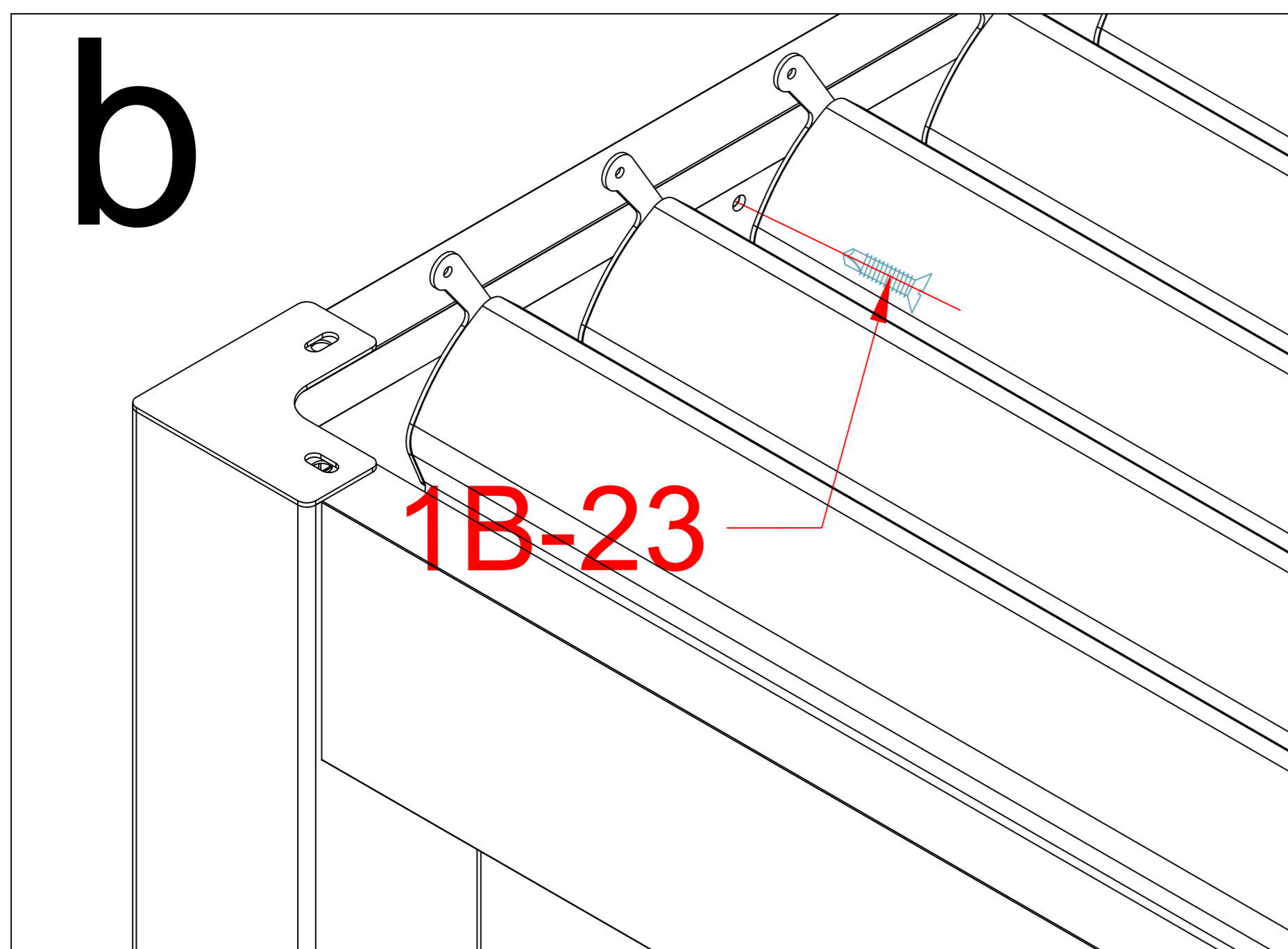
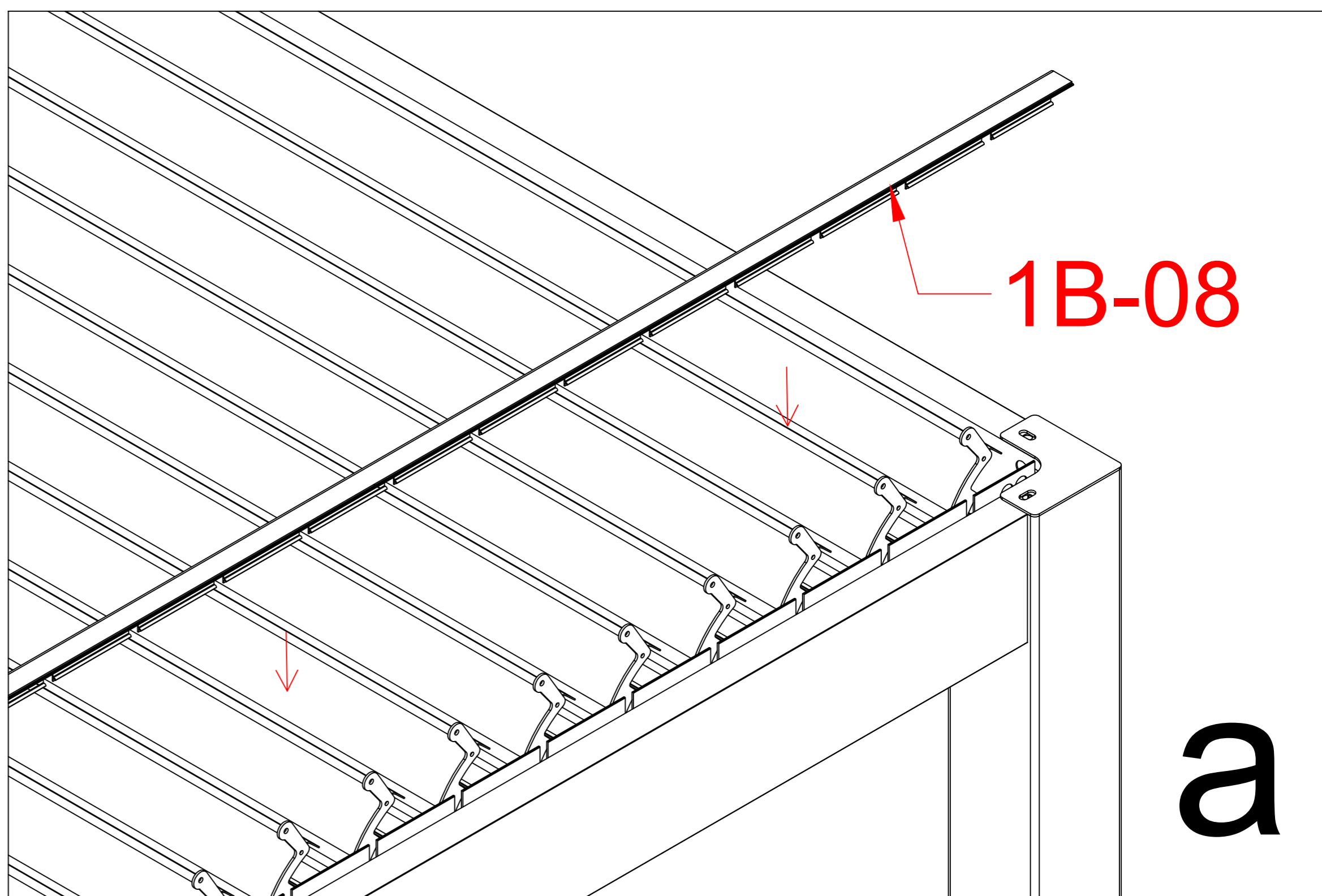


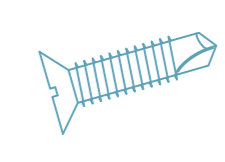
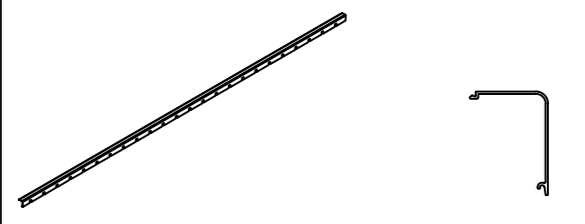
1B-06 b

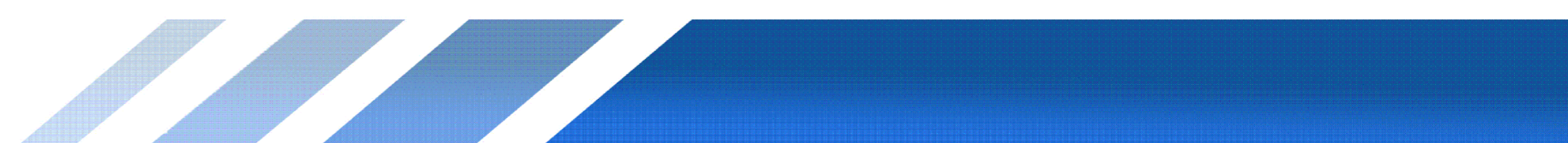


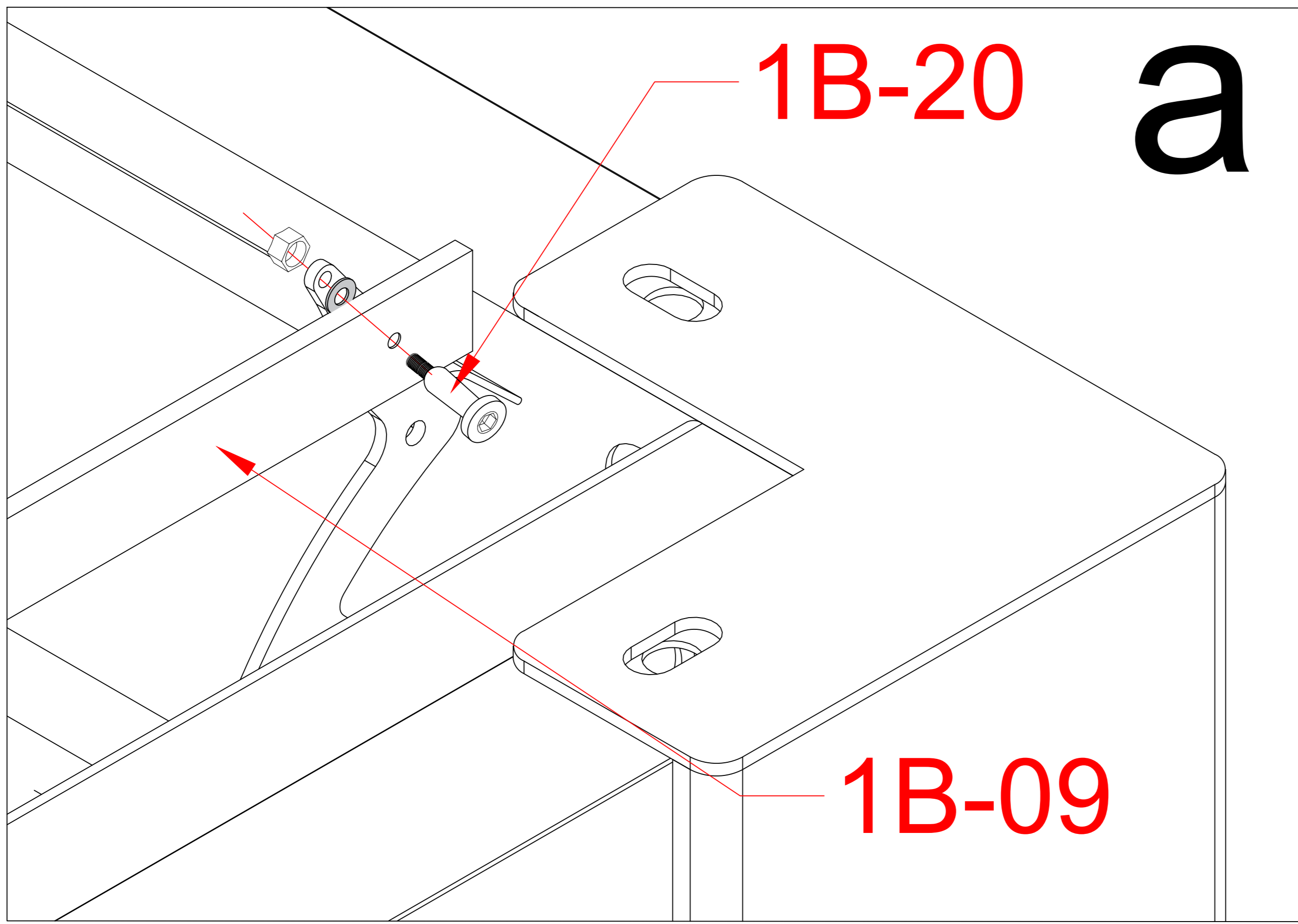
11

1B-06		24
-------	--	----

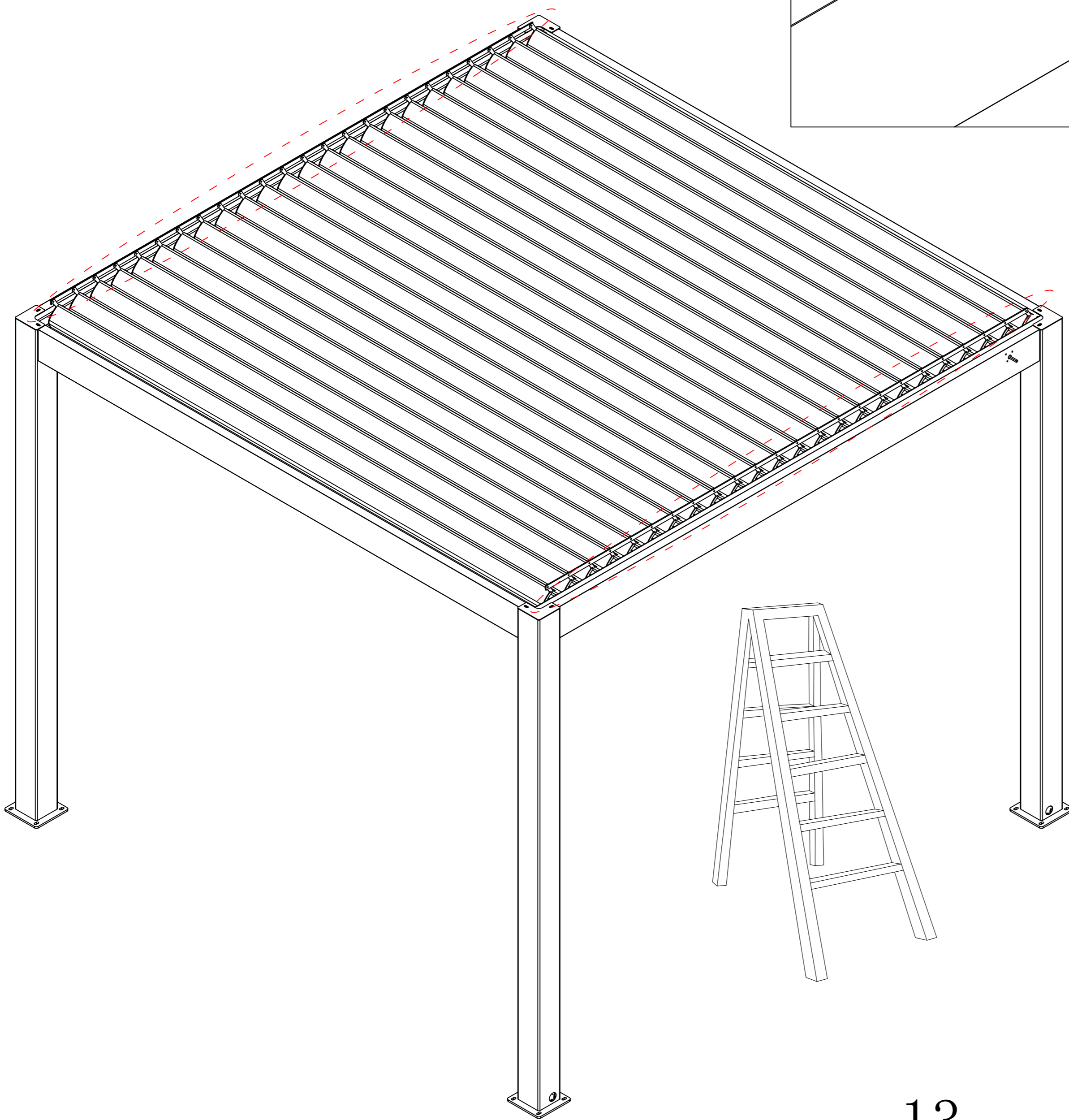
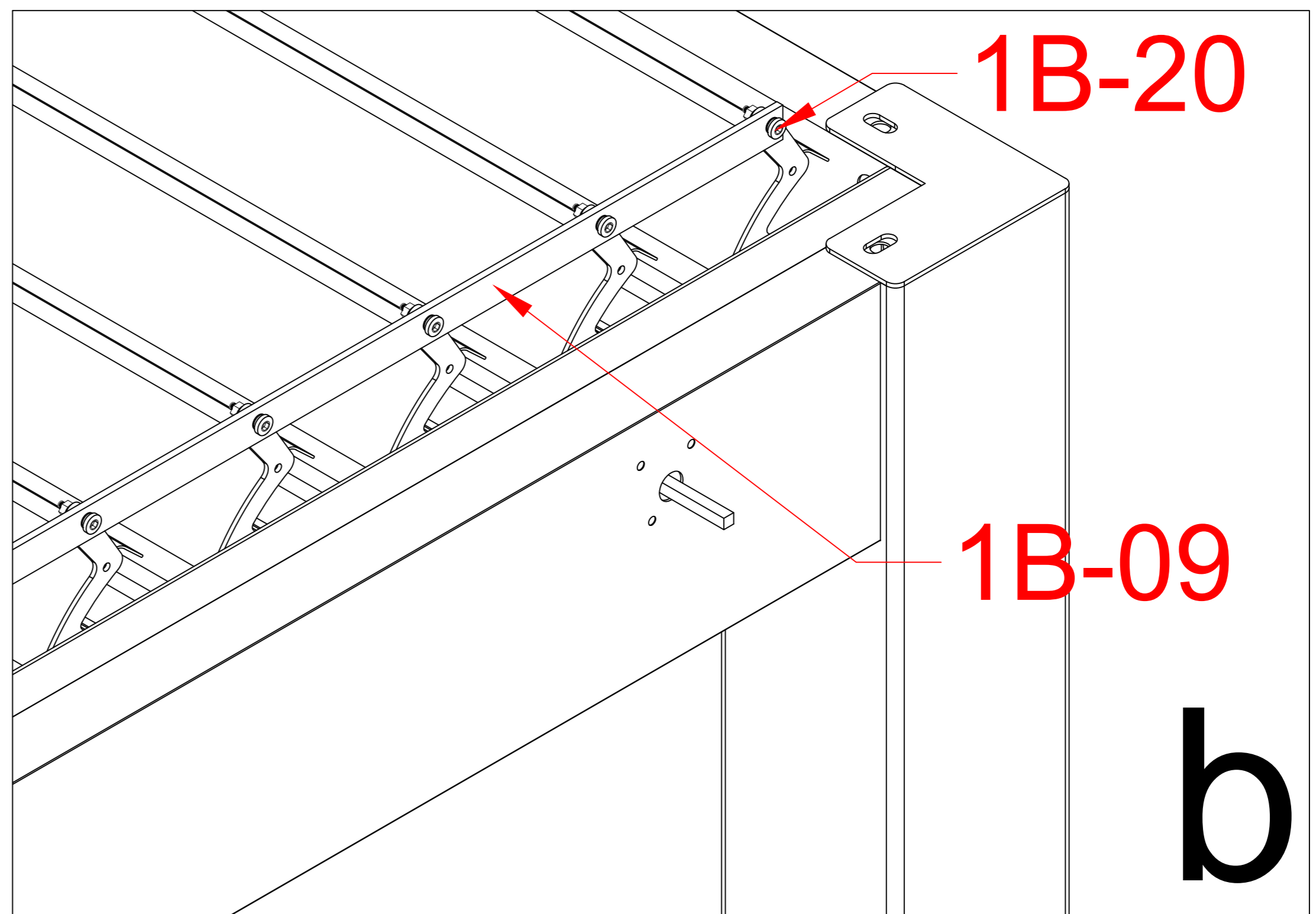


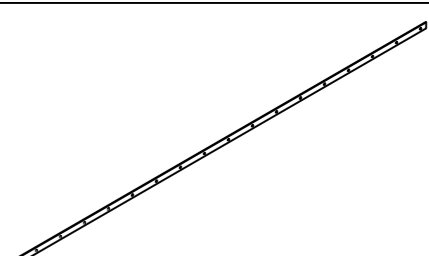
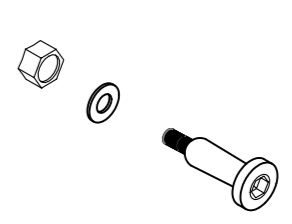
1B-23		10
1B-08		2

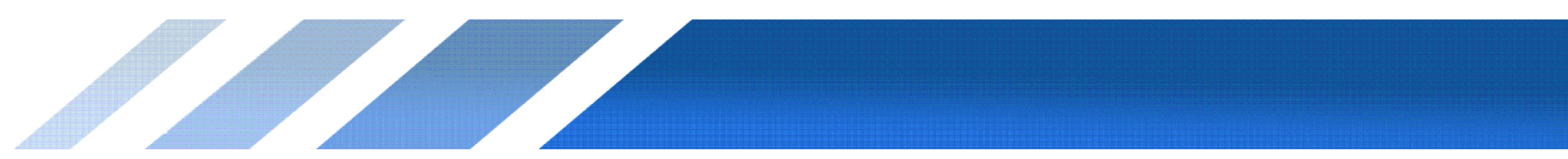


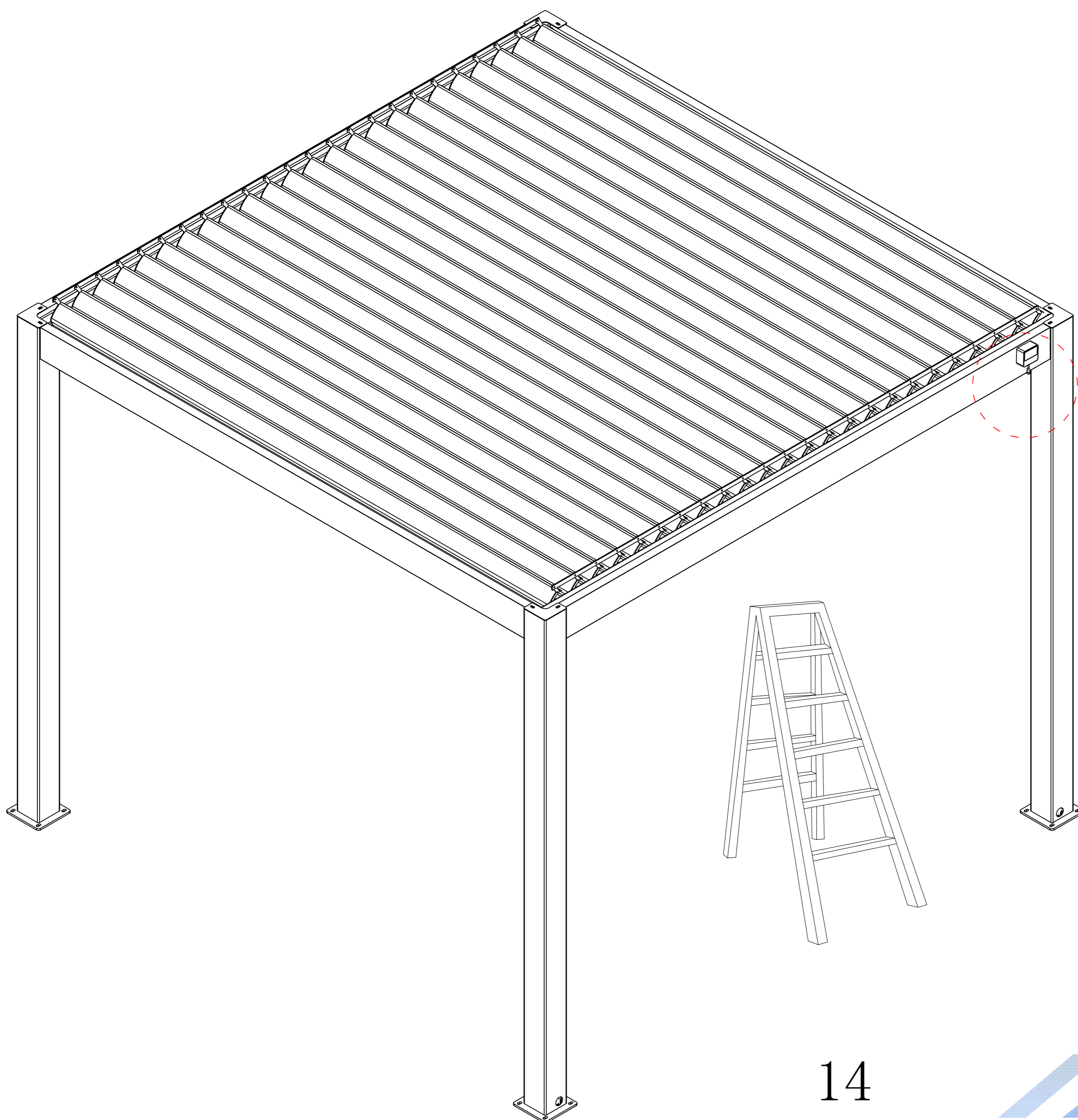
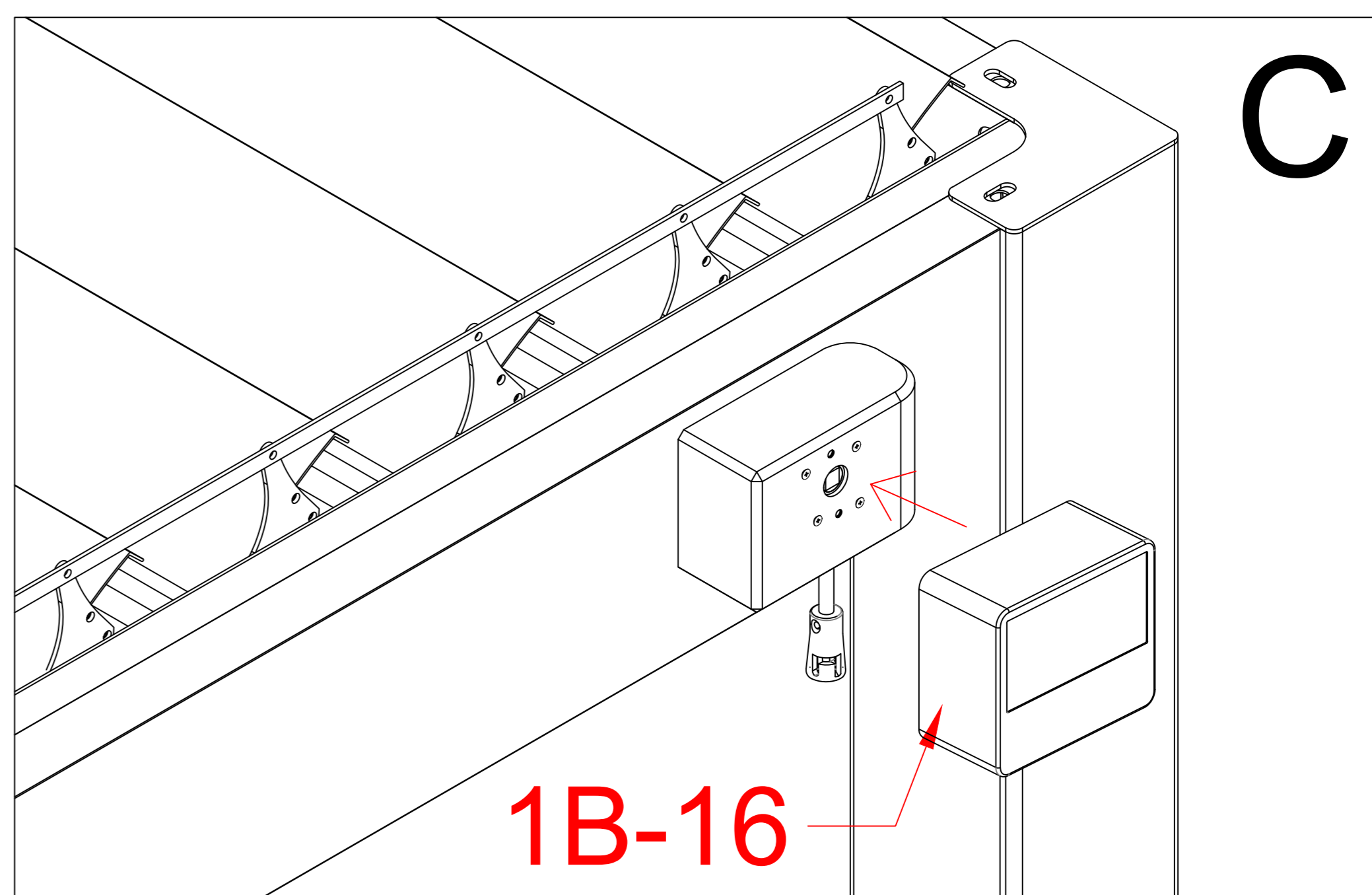
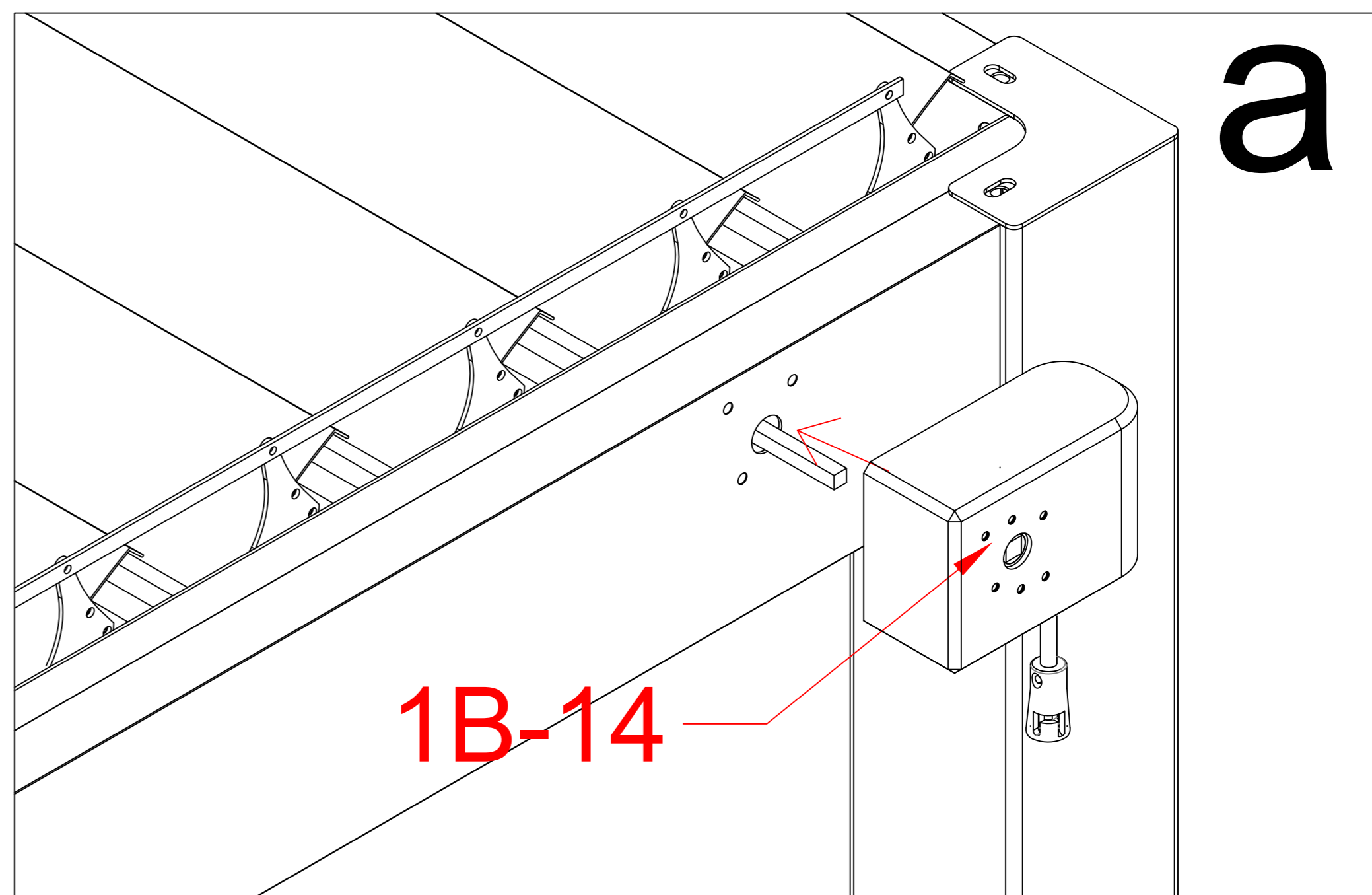
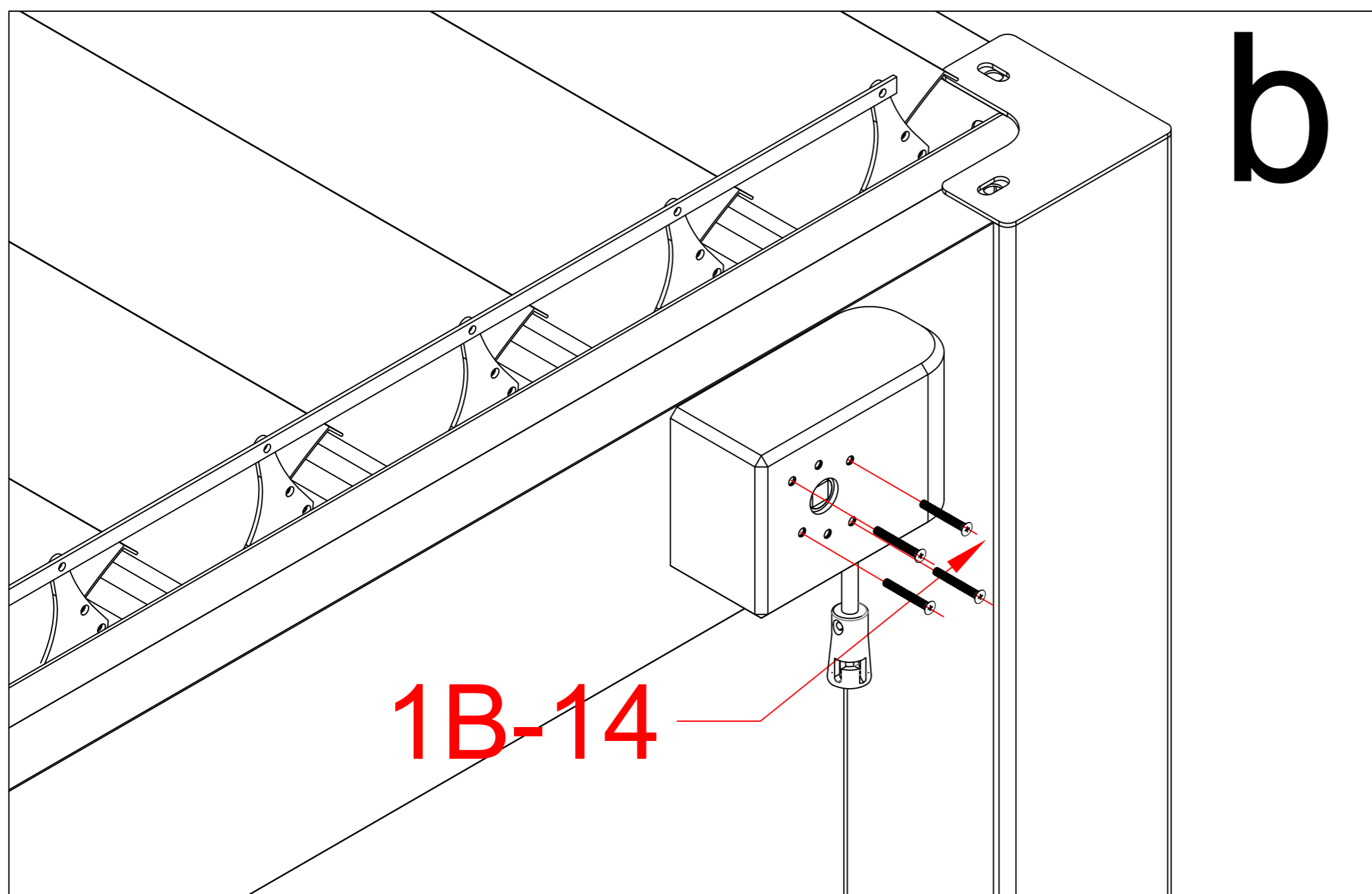


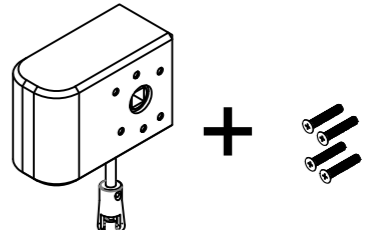

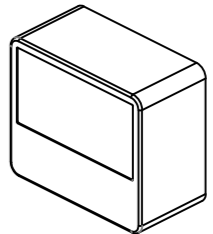
**warning:**  
Bolts must be tightened

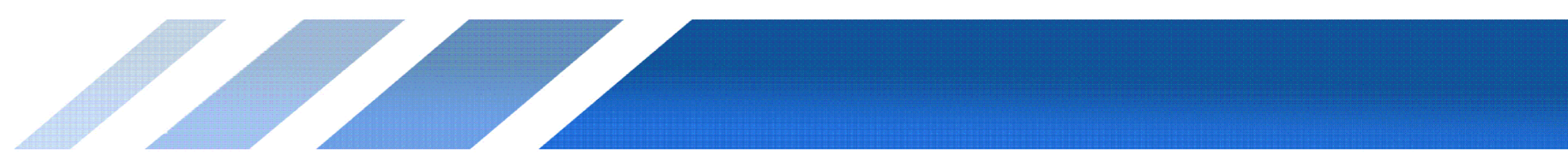


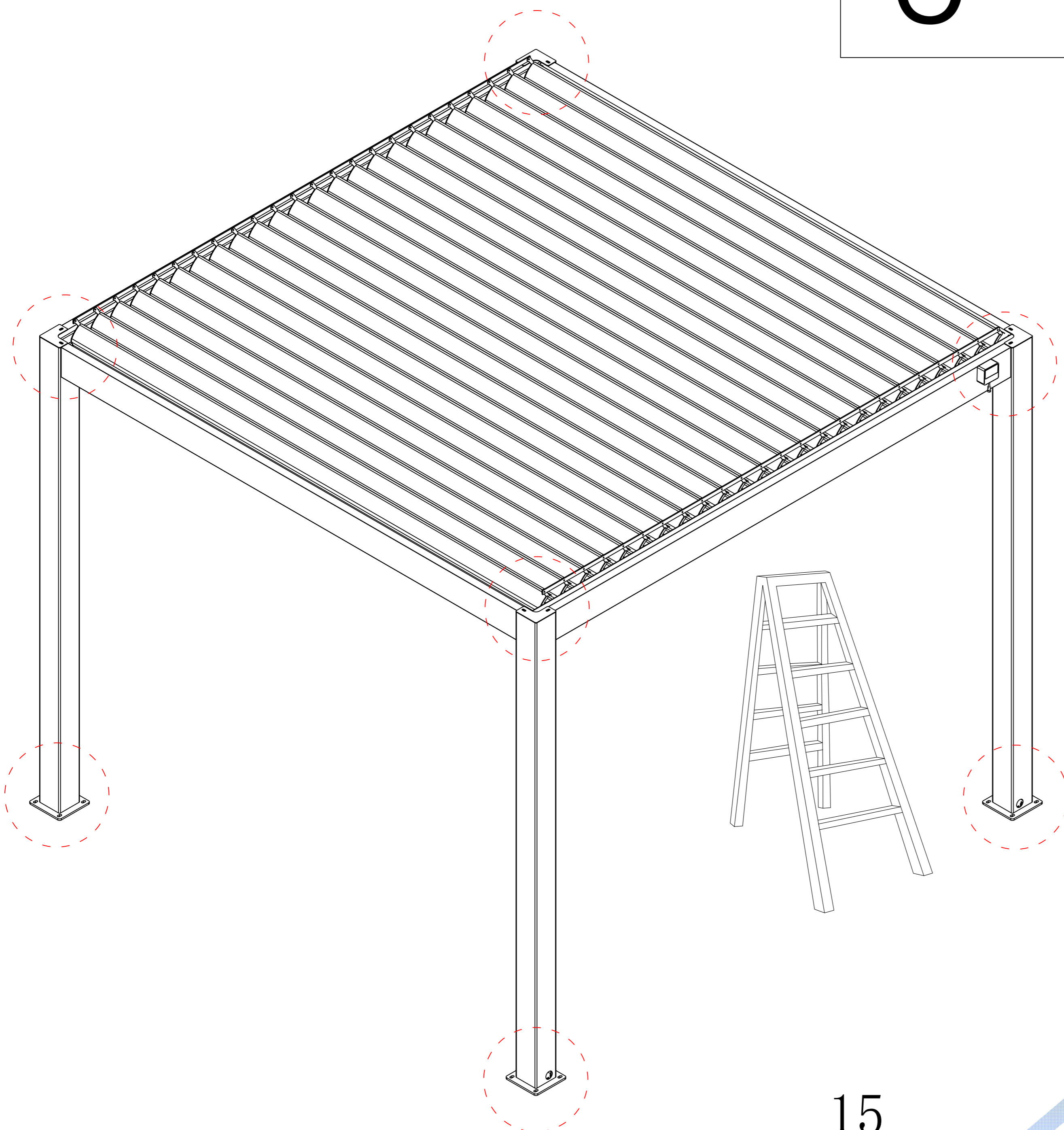
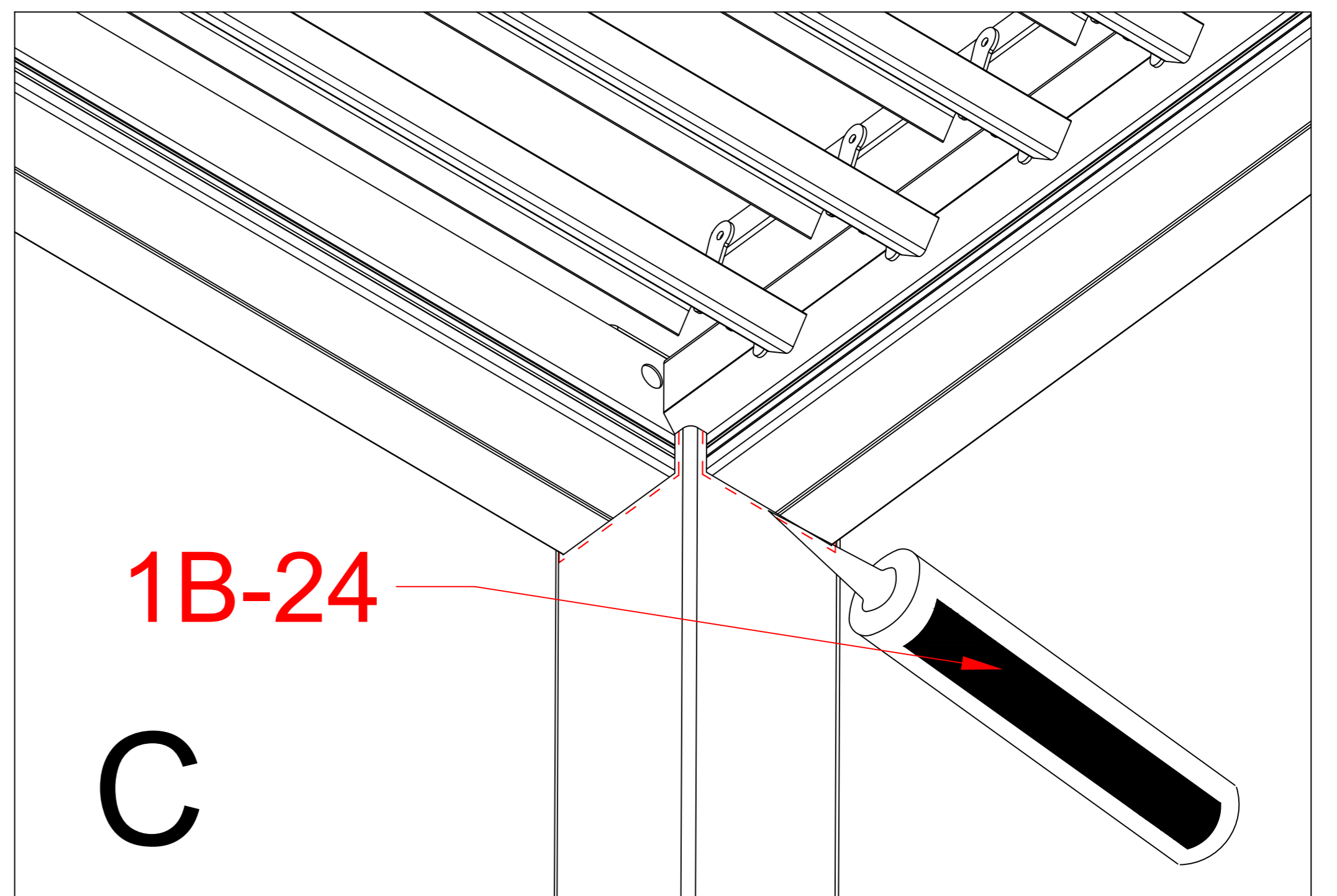
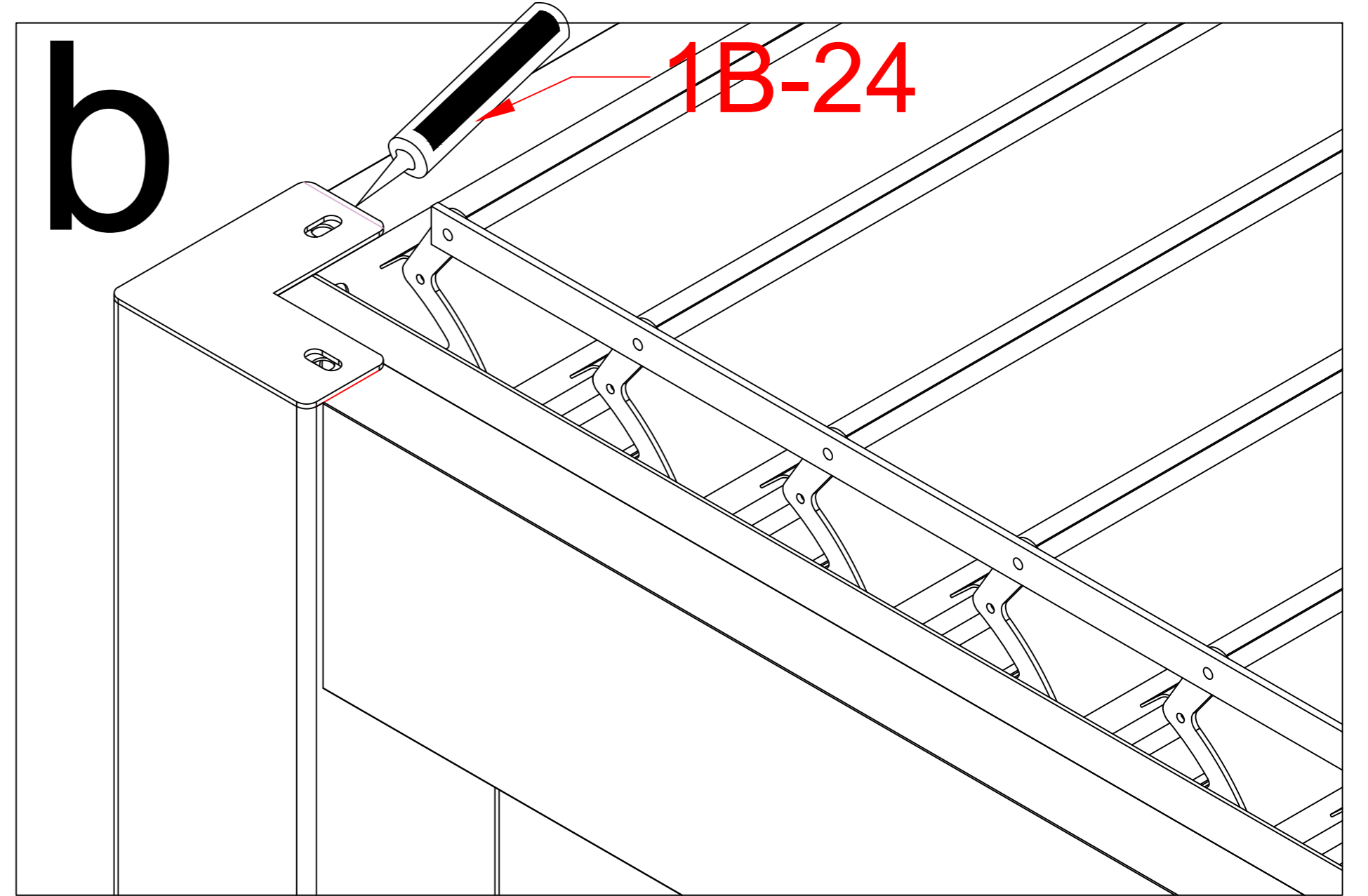
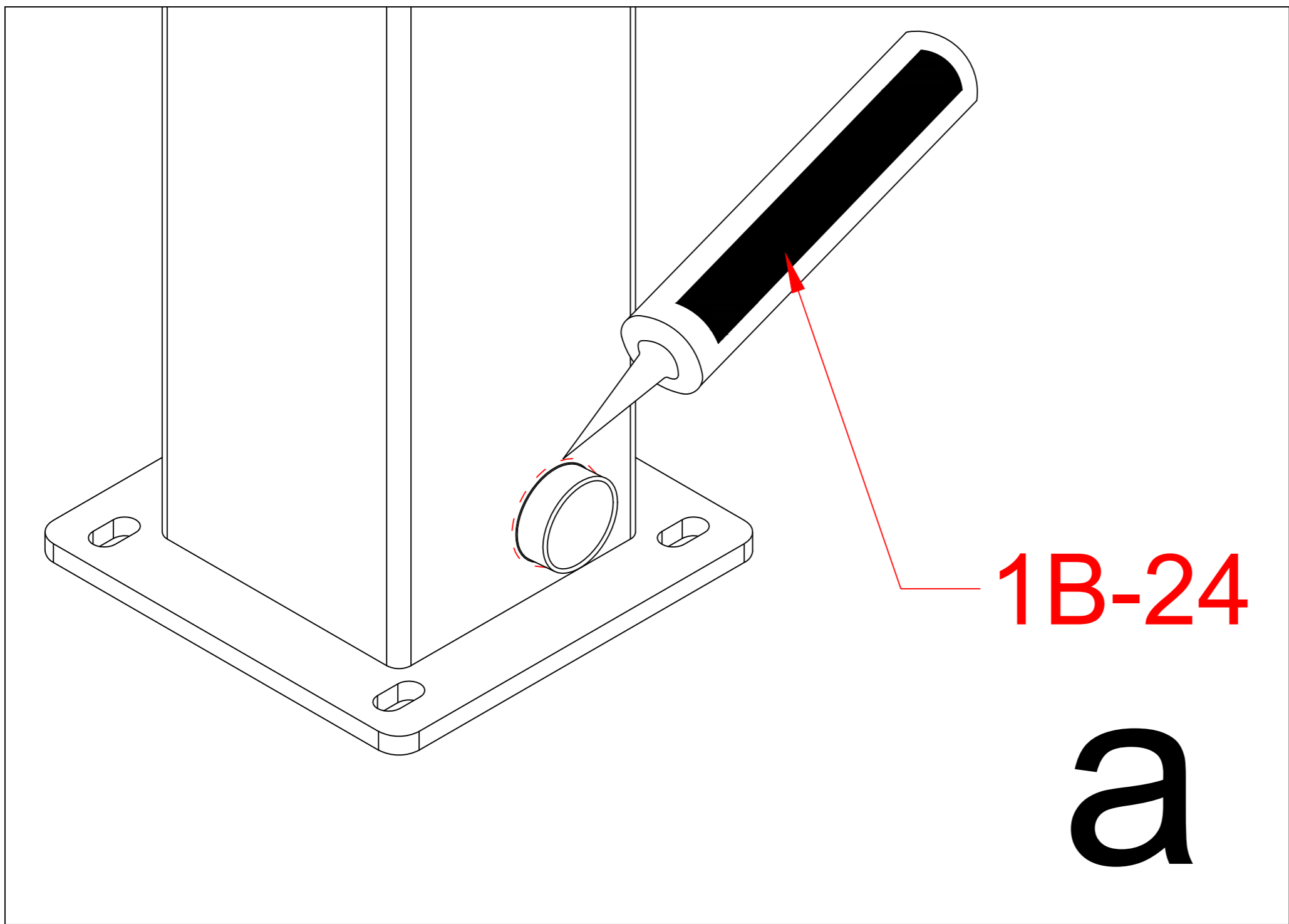
1B-09		2
1B-20		48



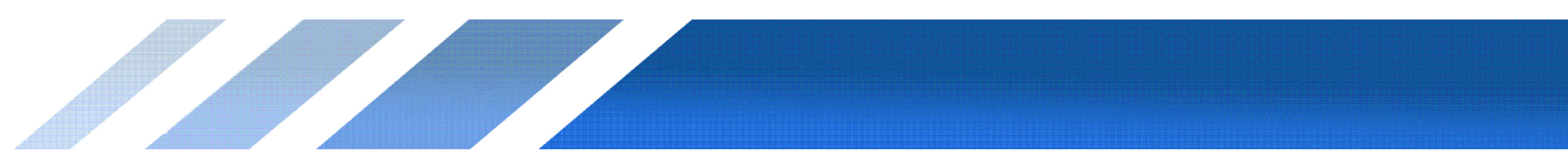


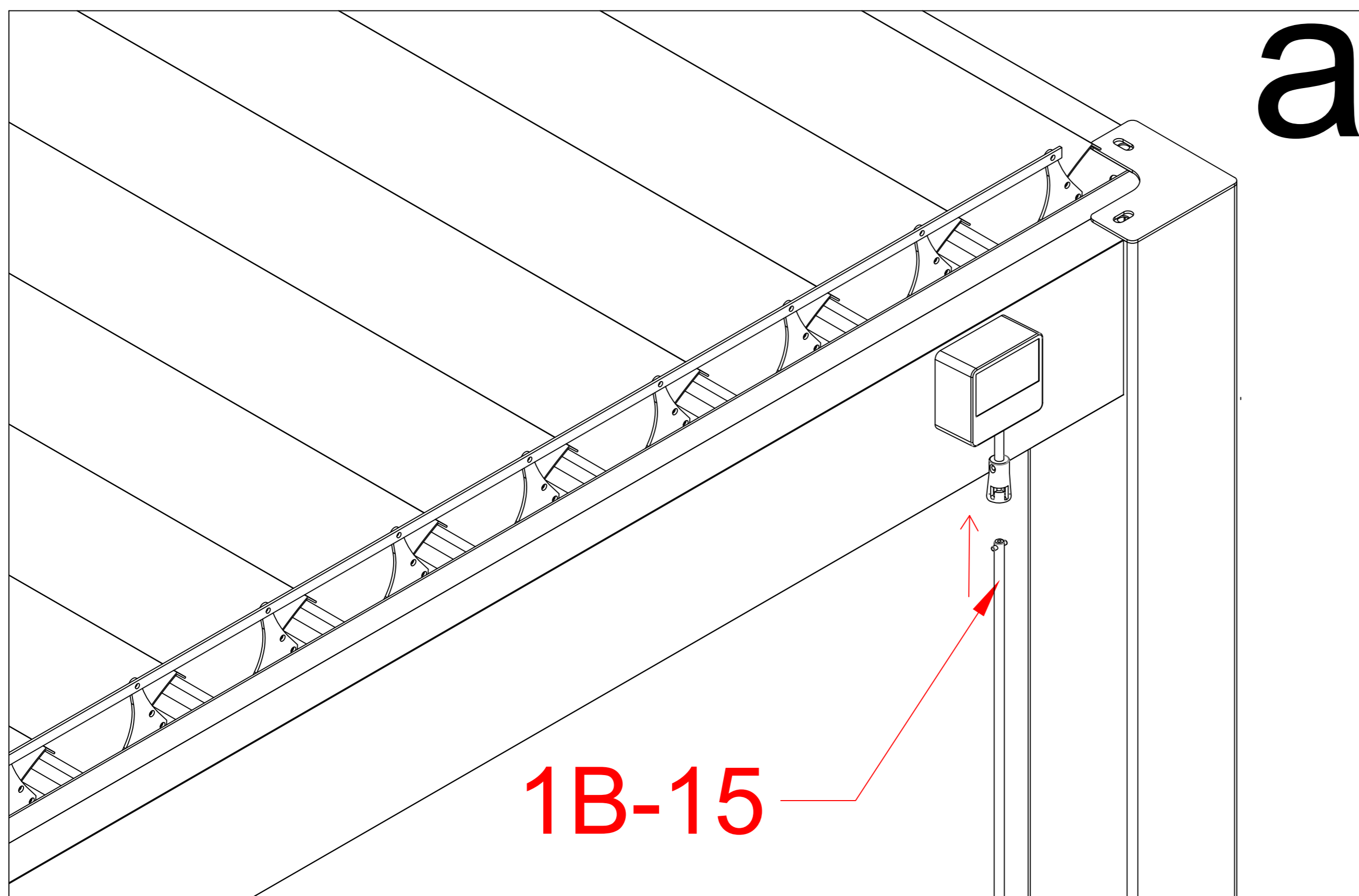
1B-14	 + 	1
1B-16		1





1B-24		1
-------	--	---

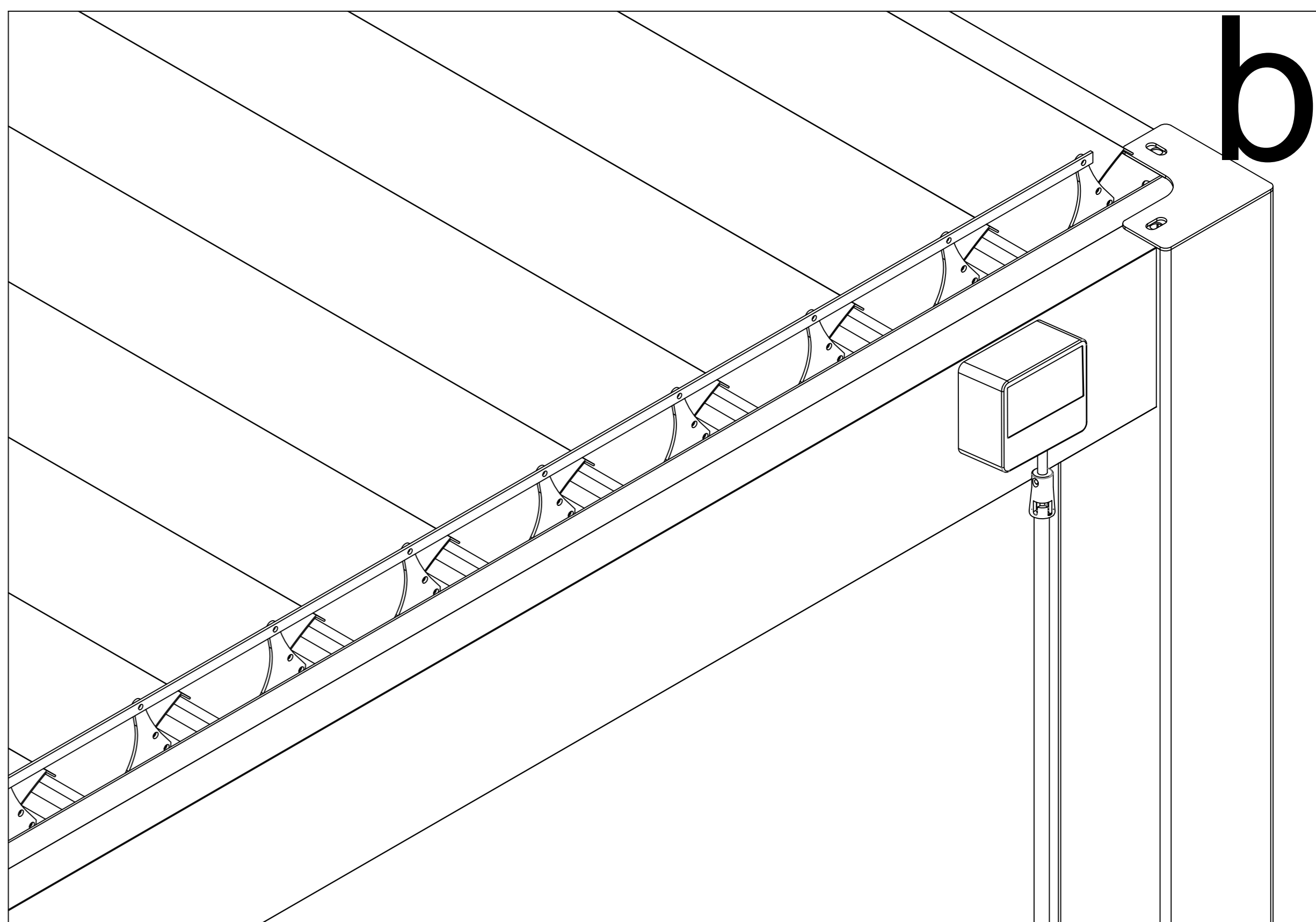




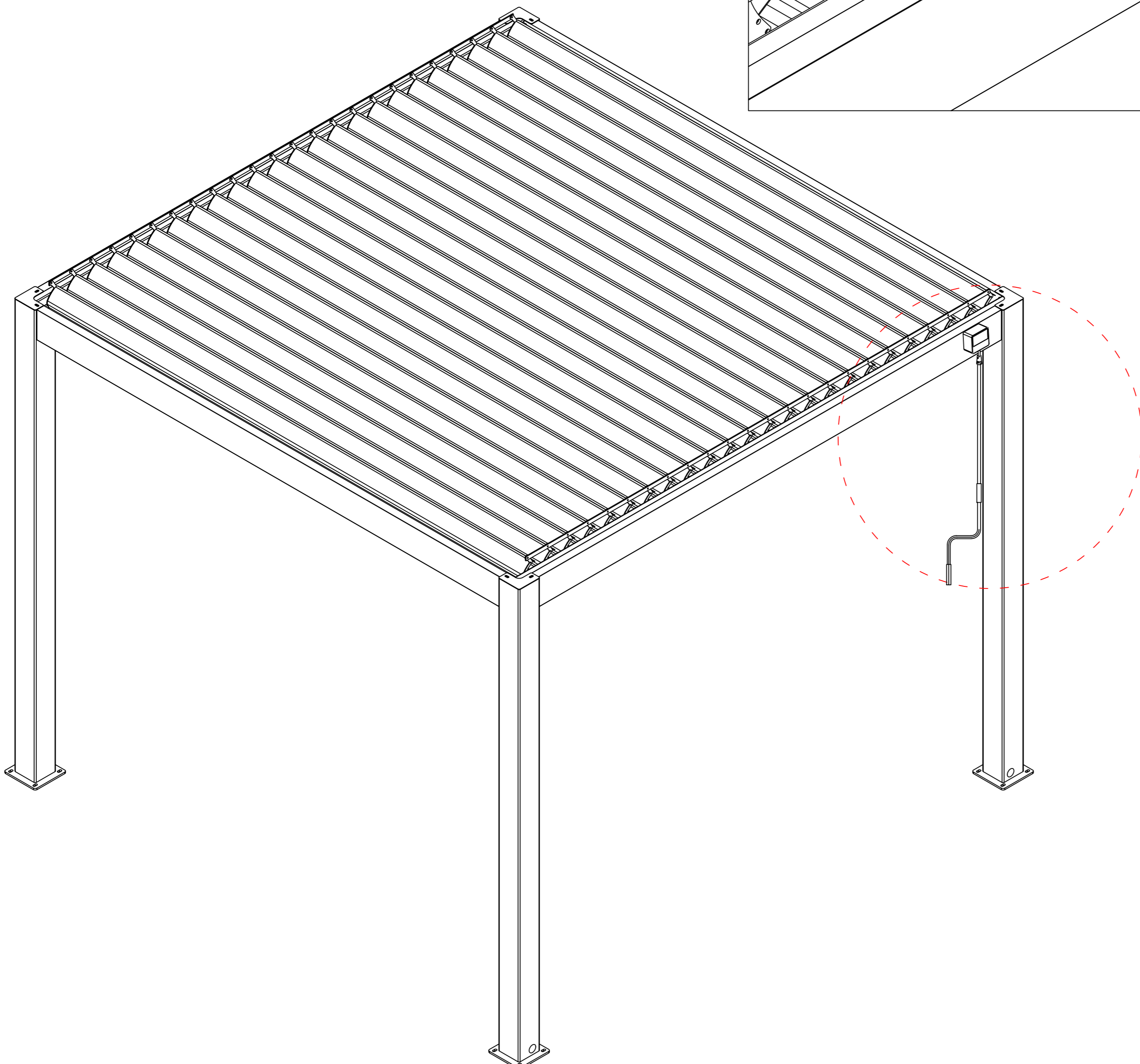
a

1B-15

**Warning**  
 In Snow / Wind season or in case of snow / wind forecast open up your shutters in vertical position to avoid any damaging on your pergola.



b



1B-15		1
-------	--	---

