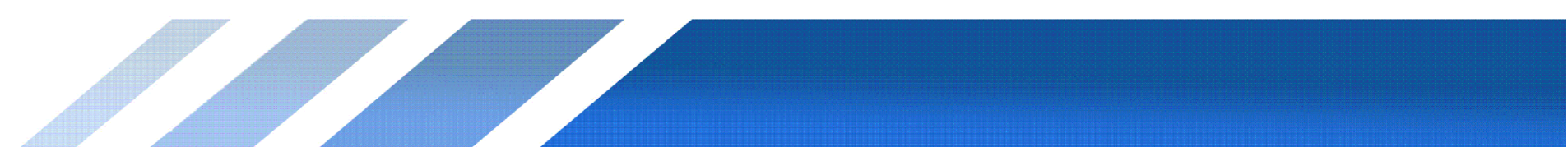
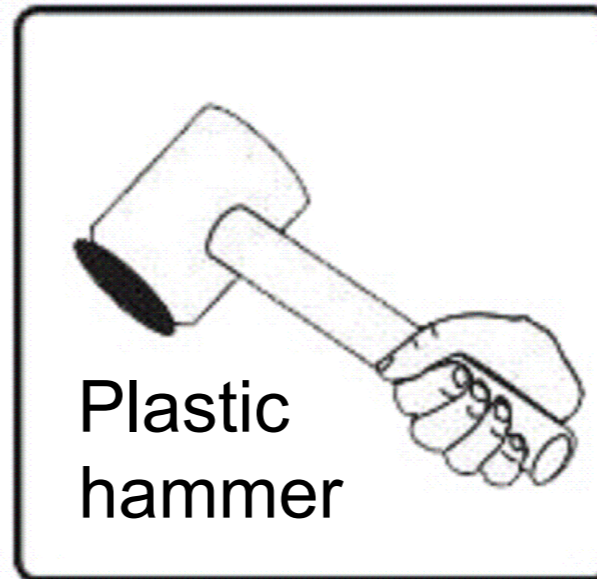
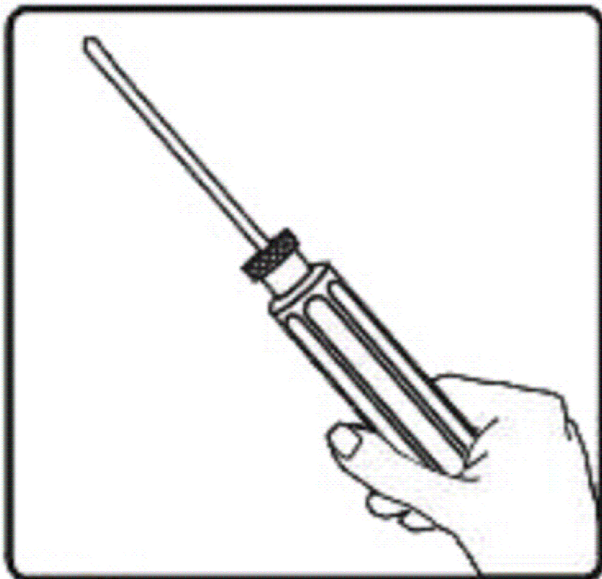
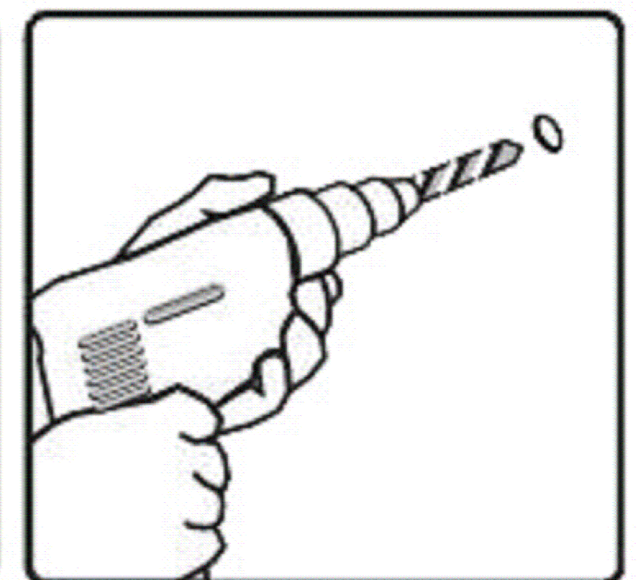
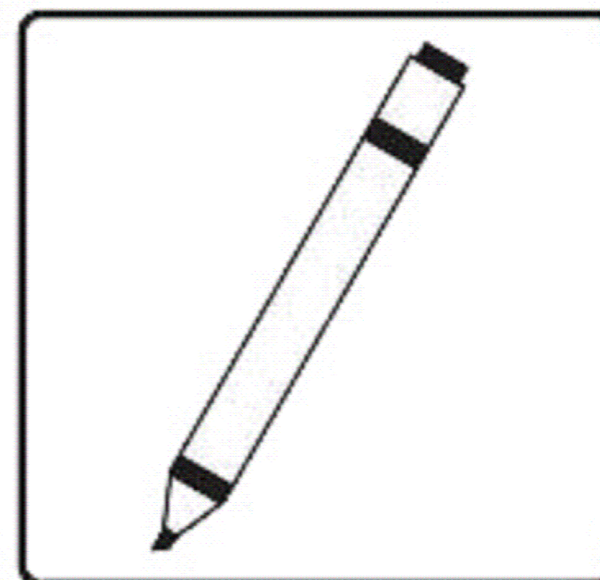
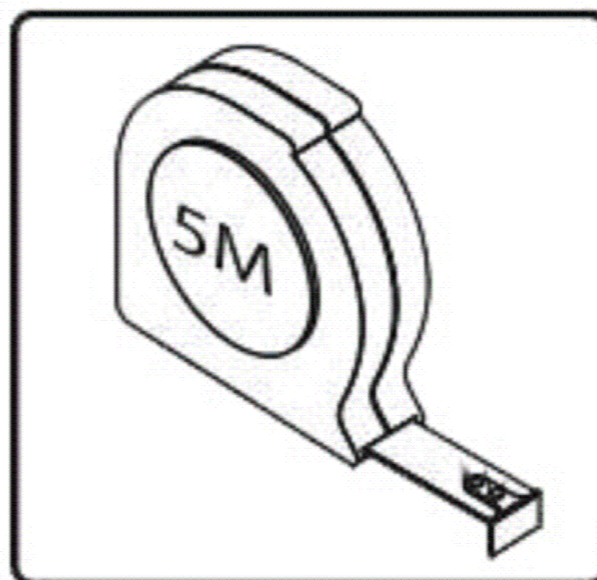
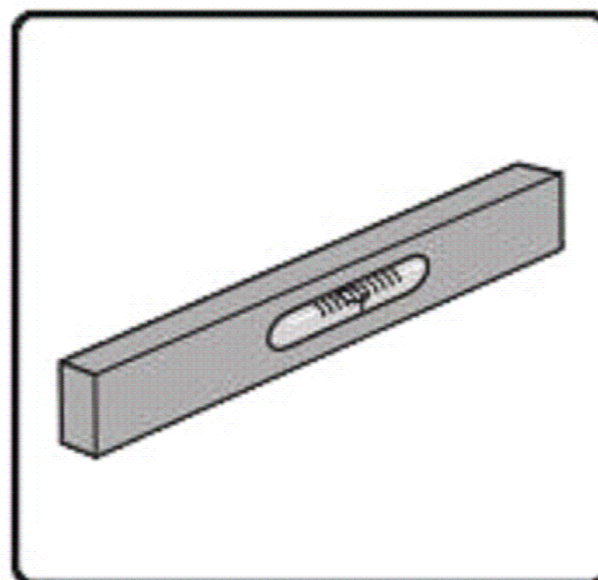
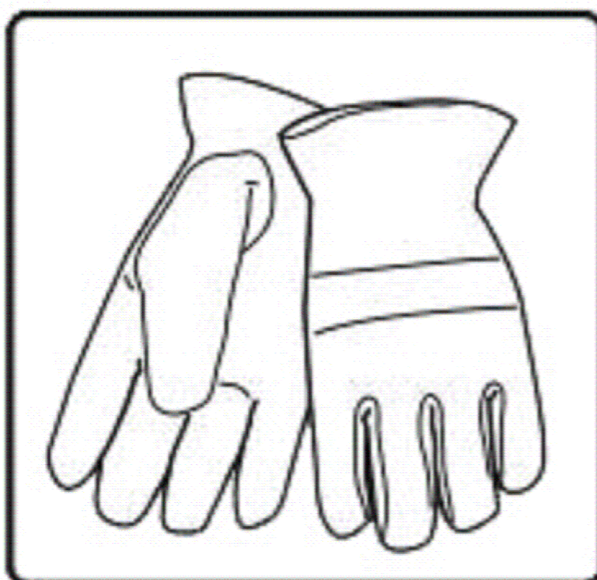
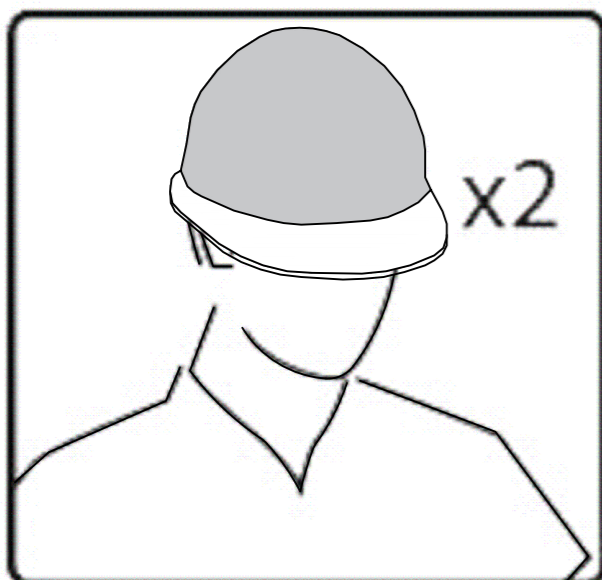
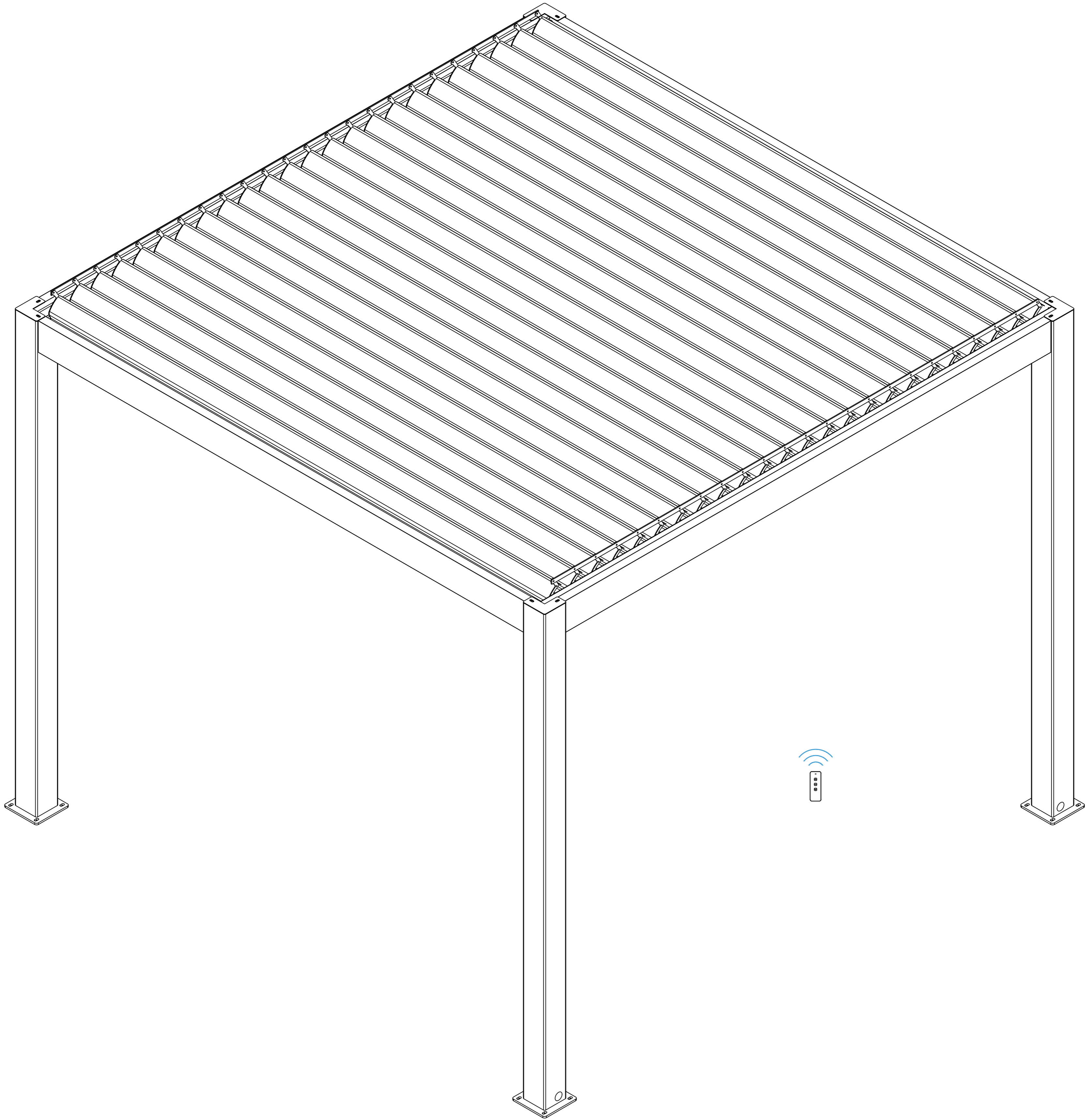




ALUMINIUM PERGOLA GAZEBO FREE STANDING

ELECTRIC 3x4m



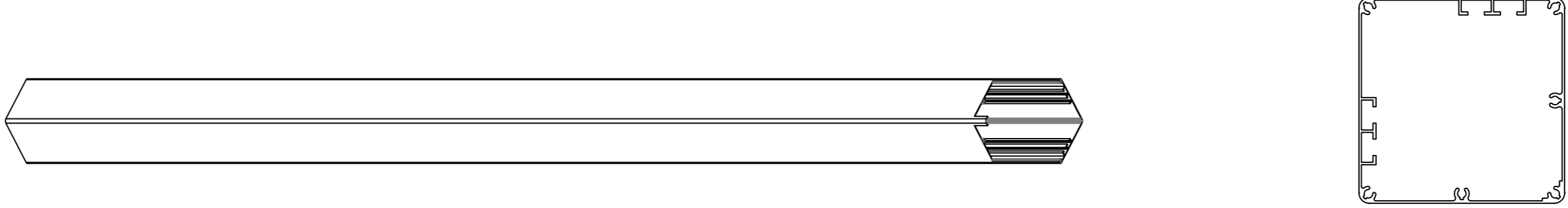
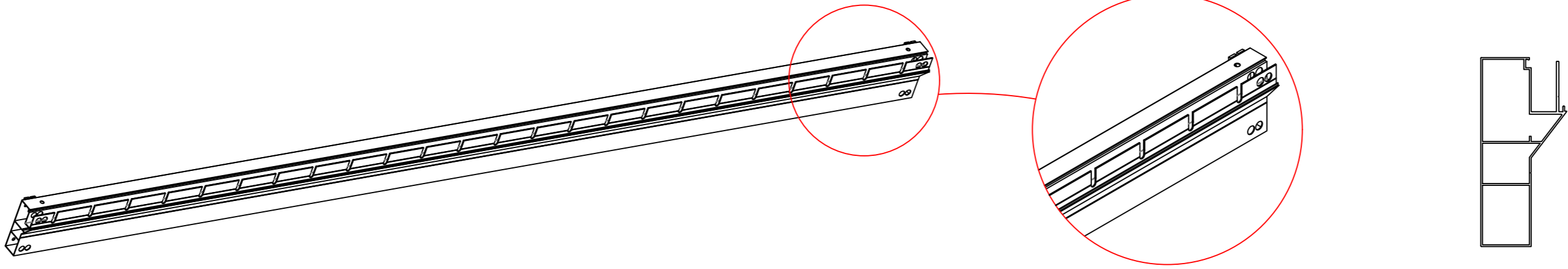
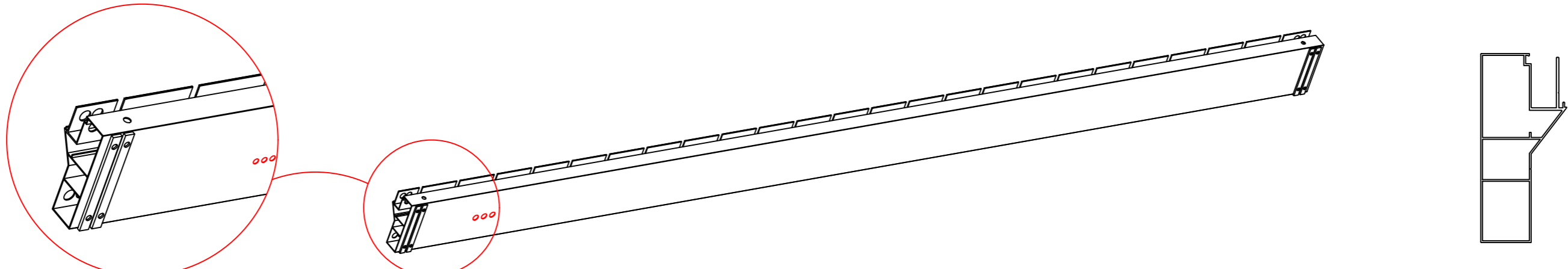
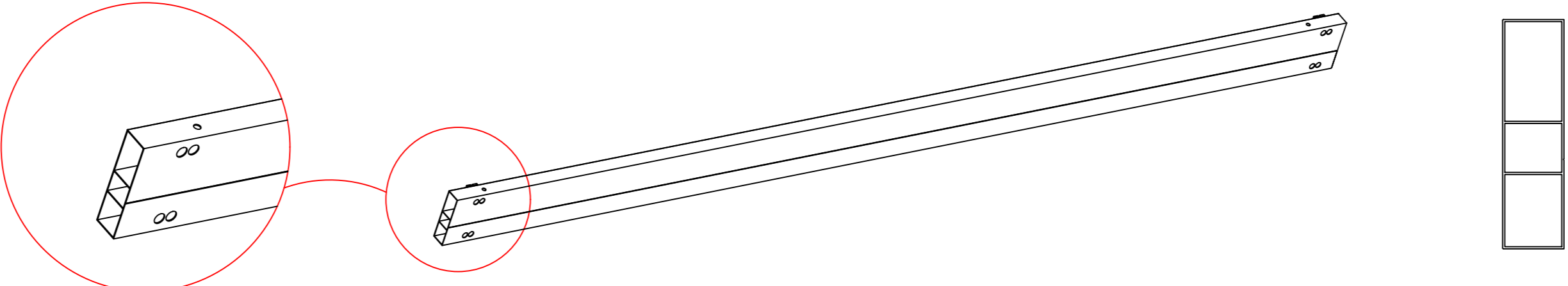

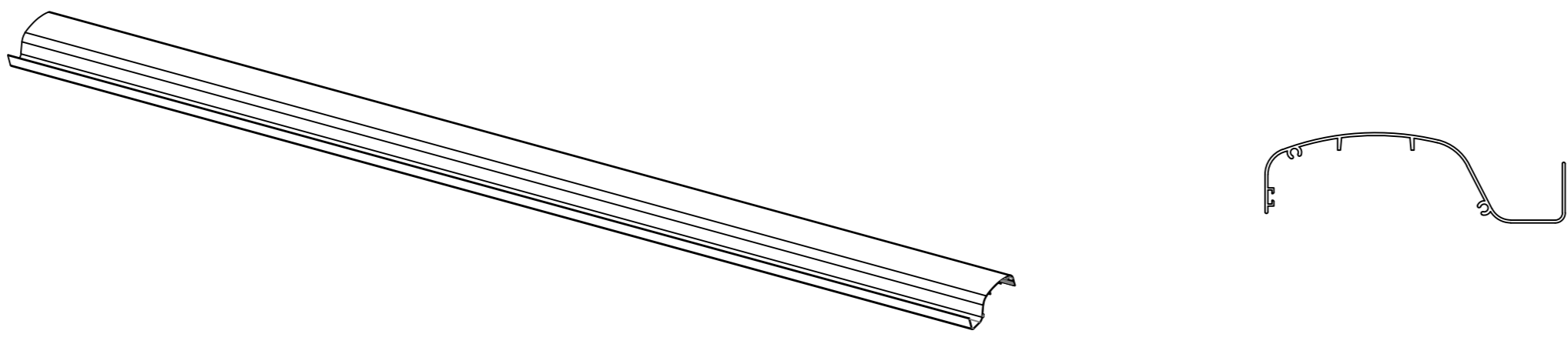
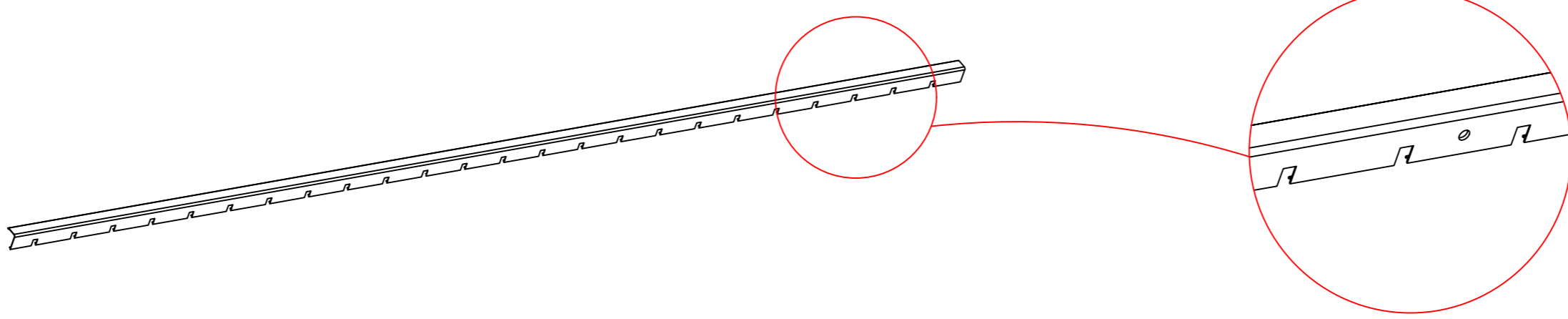
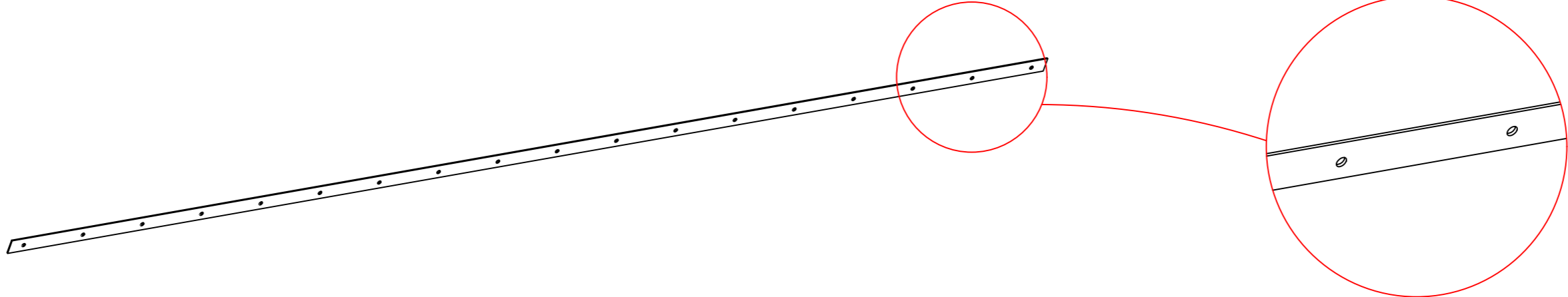
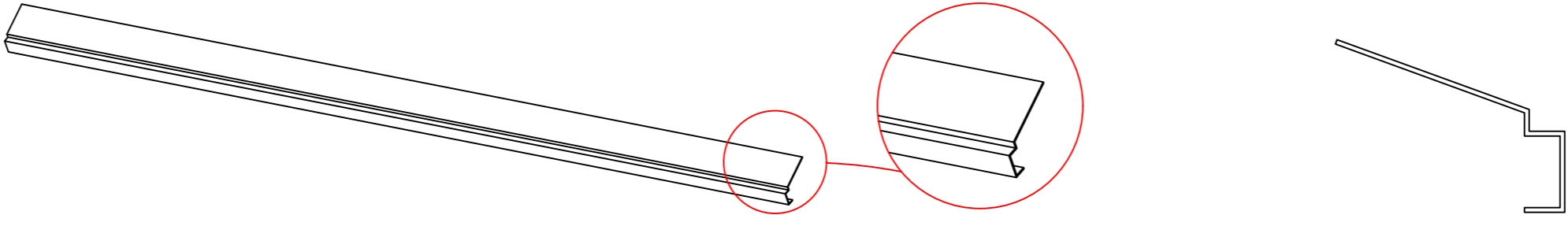




	Item	Qty	Item	Qty	Item	Qty
Carton 1/4	1B-01	4	1B-11	4	1B-12	4
	1B-13	4	1B-14	1	1B-15	1
	1B-18	1	1B-19	11+	1B-20	66+
	1B-21	16+	1B-22	24+	1B-23	32+
	1B-24	1	1B-30	1	1B-31	1
	1B-48	32+	1B-49	33+	1B-50	1
	1B-51	132+	1B-64	1		
Carton 2/4	1B-02	1	1B-03	1	1B-04	2
	1B-05	4	1B-08	2	1B-09	2
	1B-29	2				
Carton 3/4	1B-06	12				
Carton 4/4	1B-06	21				





Item	Drawings	Qty
1B-01		4
1B-02		1
1B-03		1
1B-04		2
1B-05		4
1B-06		33
1B-08		2
1B-09		2
1B-29		2



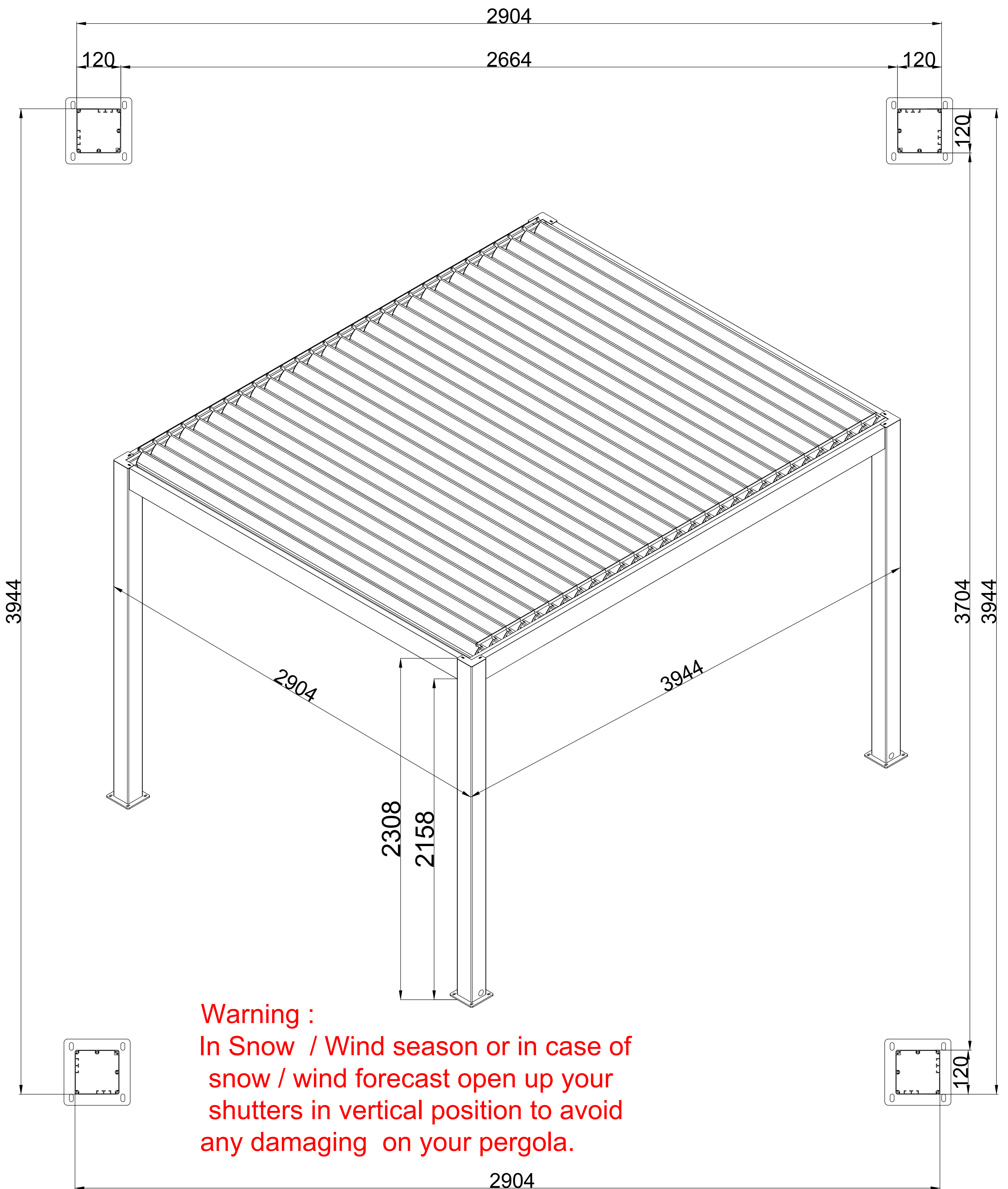


Item	Drawings	Qty
1B-11		4
1B-12		4
1B-13		4
1B-14		1
1B-15		1
1B-18		1
1B-19	 M8*20	11+
1B-20		66+
1B-21	 M10*80	16+
1B-22	 M5.5*50	24+
1B-23	 M4.2*19	32+

Item	Drawings	Qty
1B-24		1
1B-30		1
1B-31		1
1B-48		32+
1B-49		33+
1B-50		1
1B-51	 M3.5*25	132+
1B-64		1

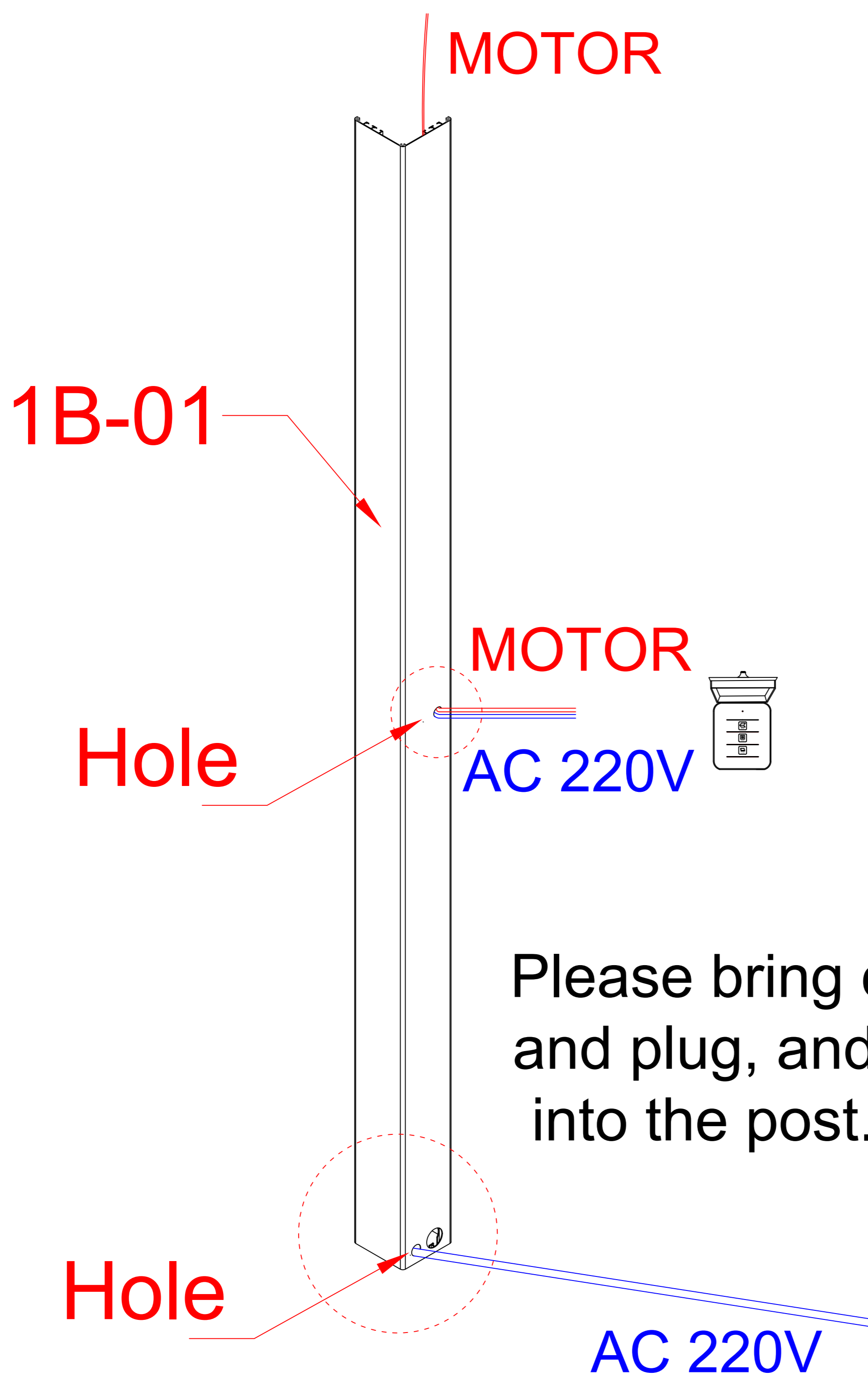
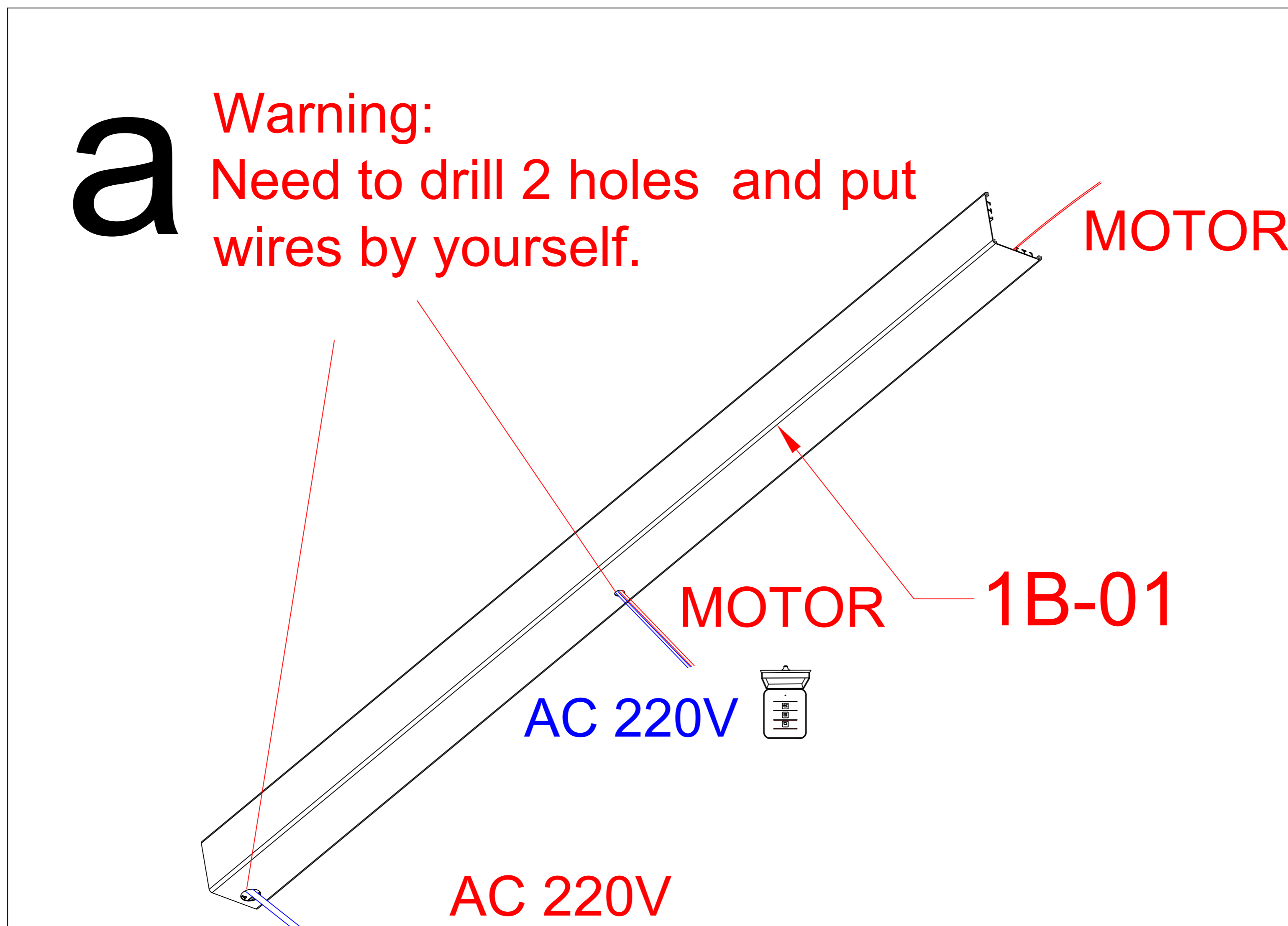


3x4m

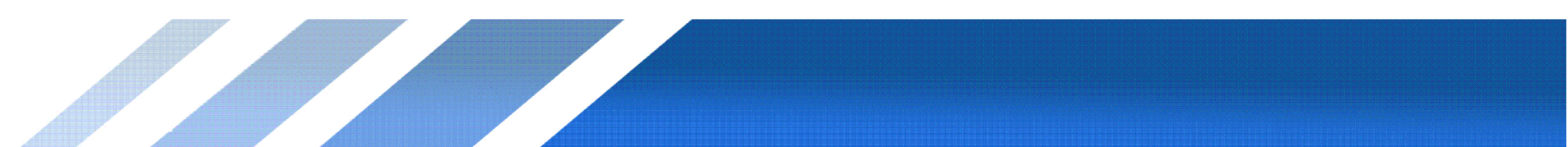




Motor Wires Diagram - The control box is on the post

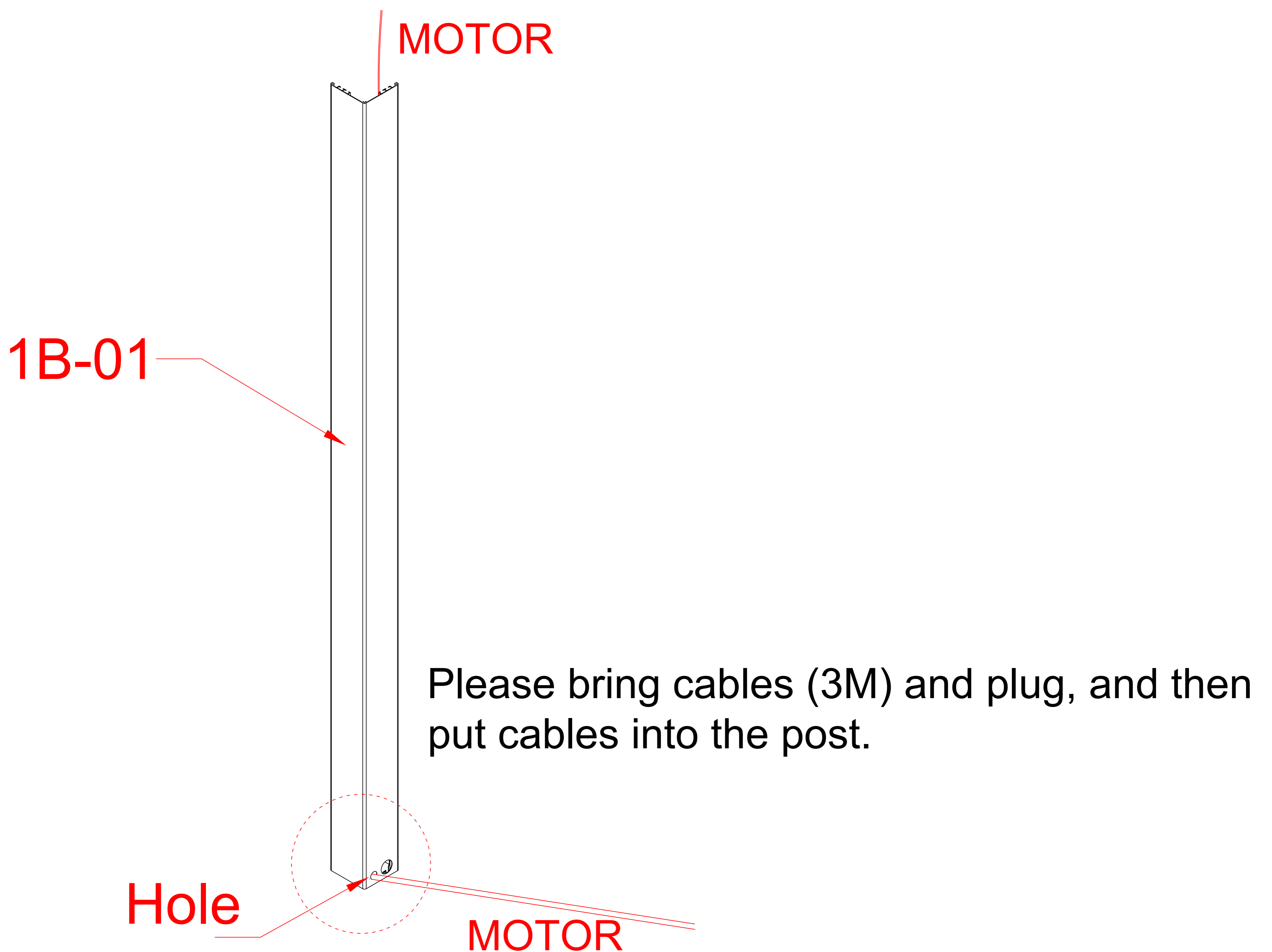
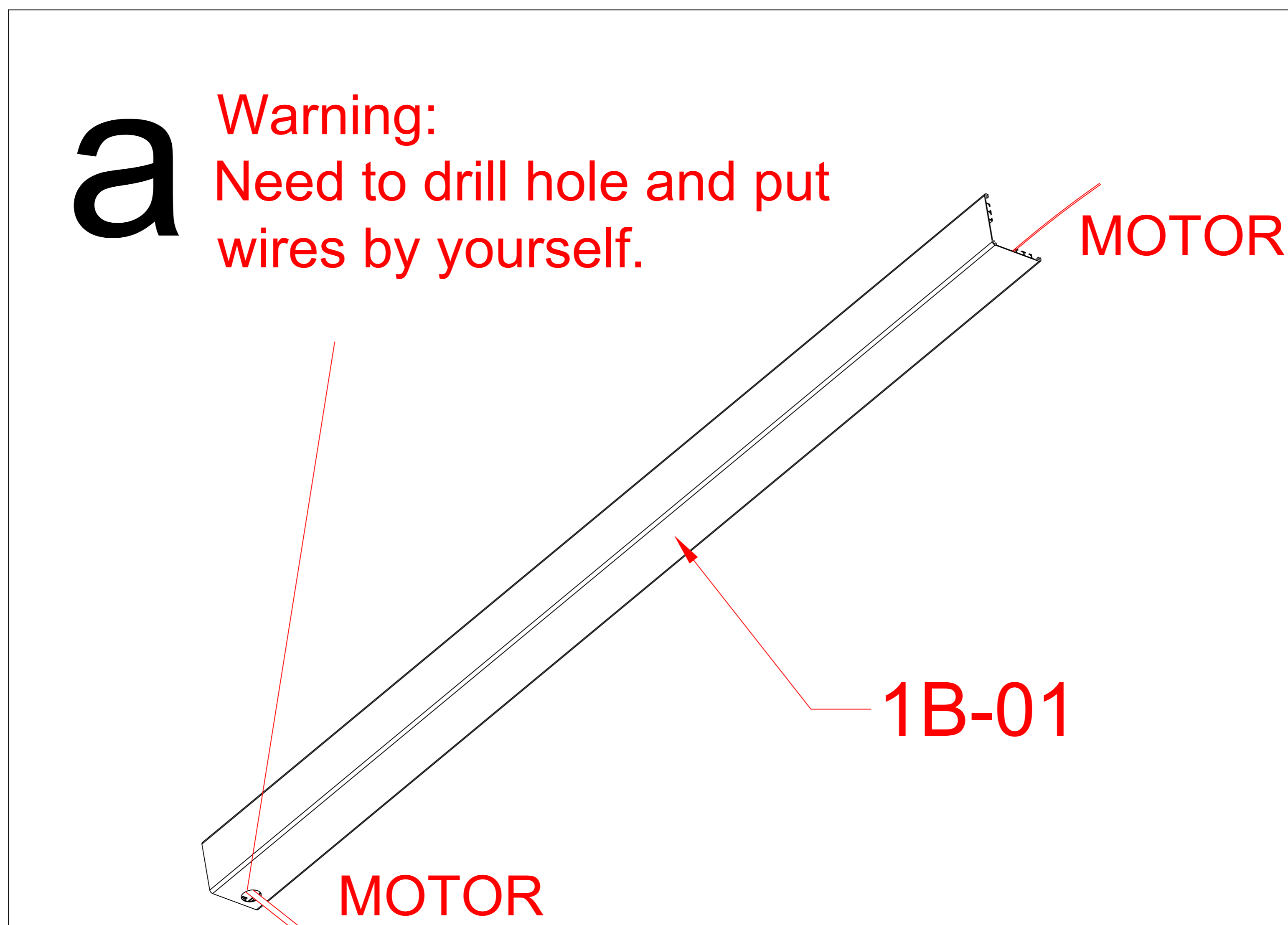


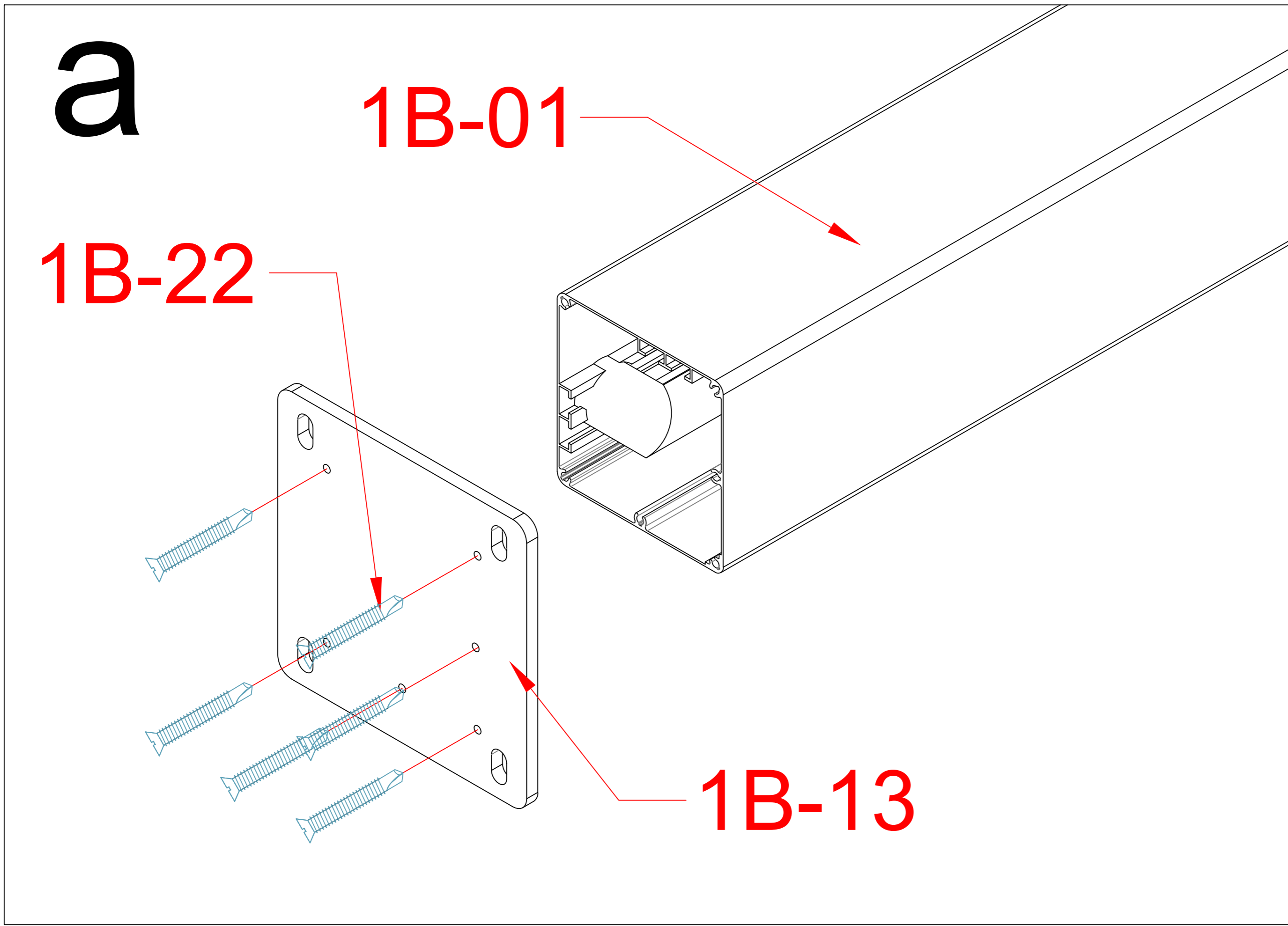
Please bring cables (1.5M), power cords (1.5M) and plug, and then put cables and power cords into the post.



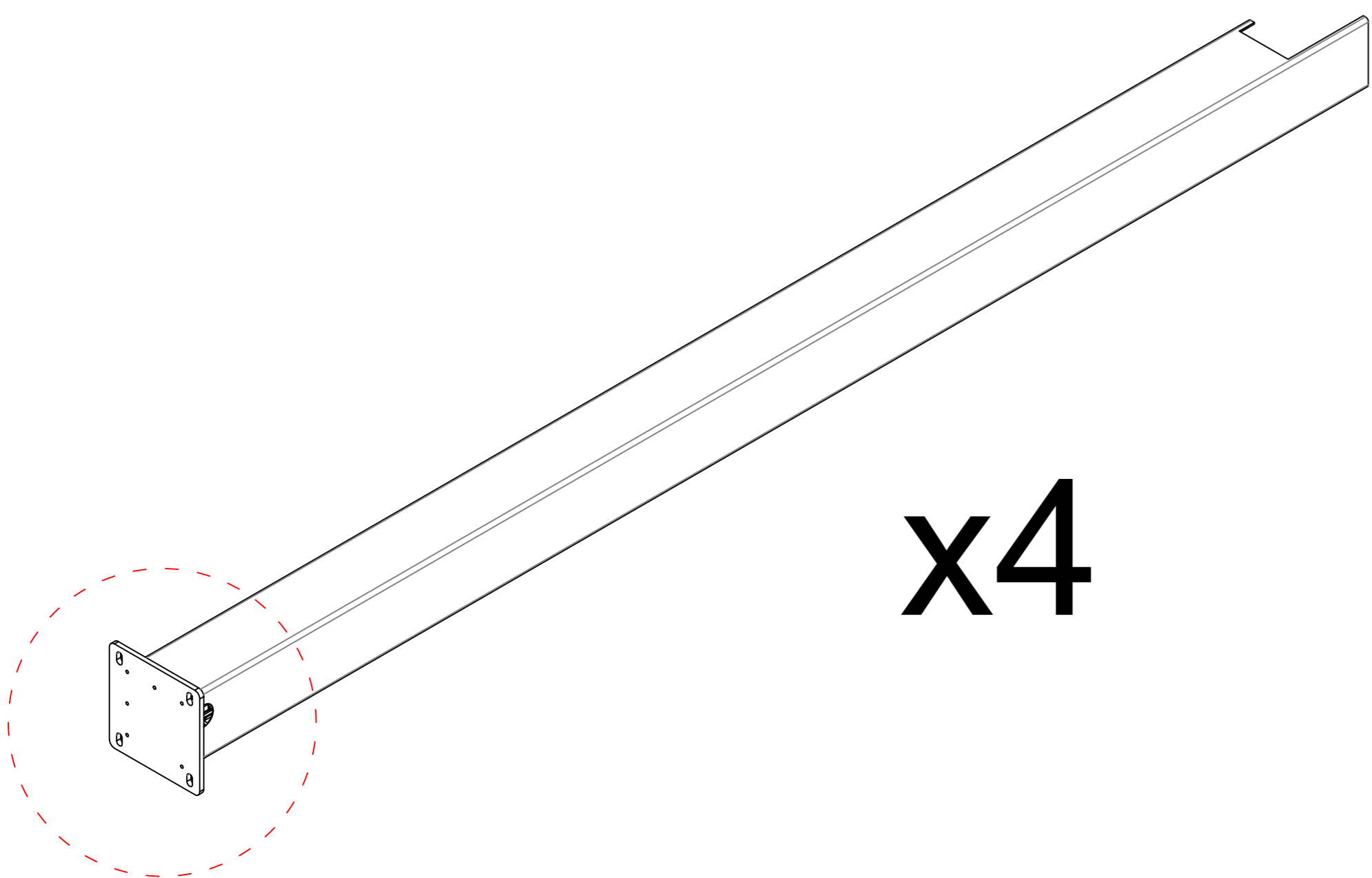
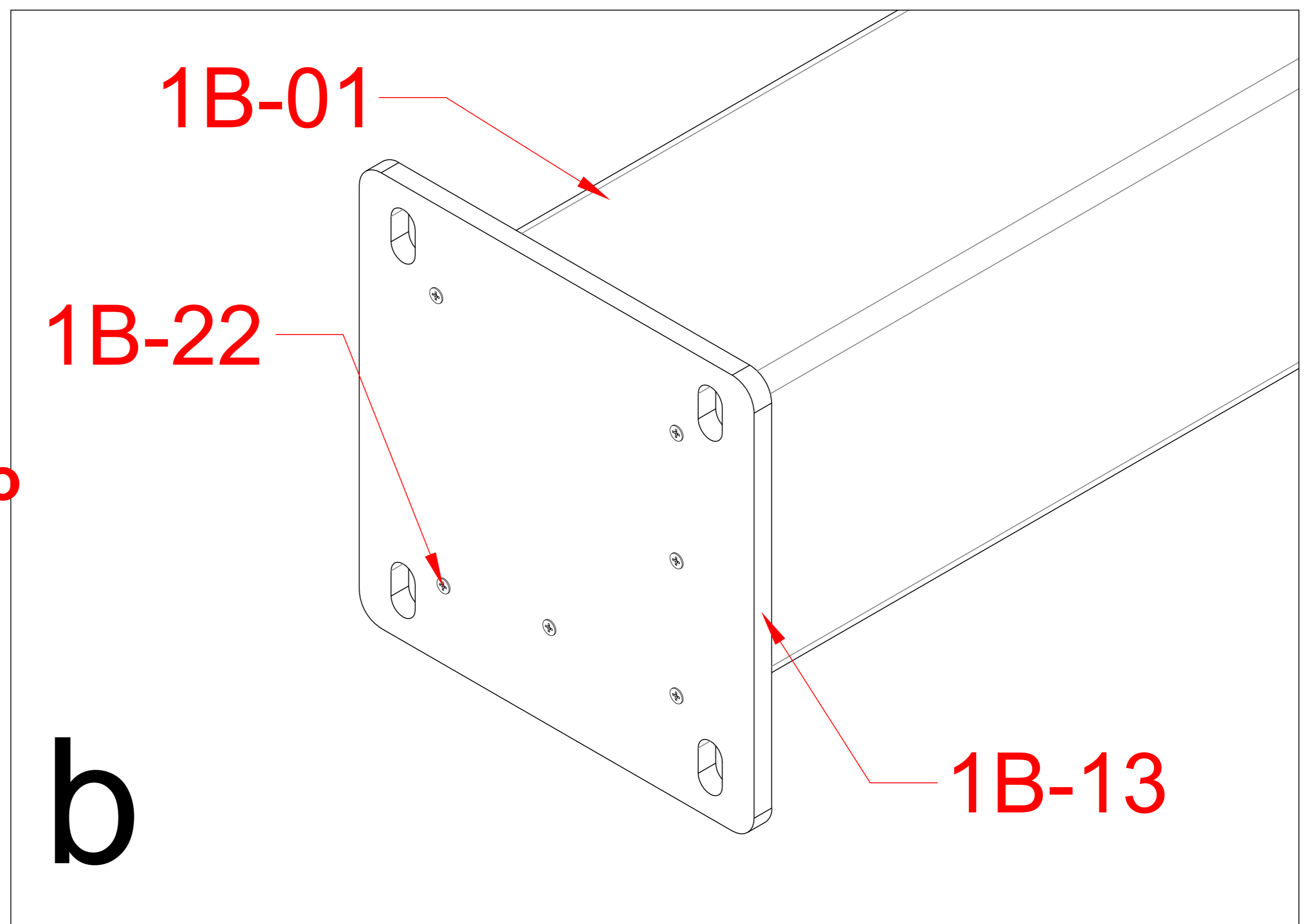


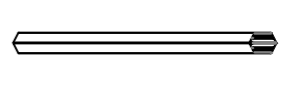
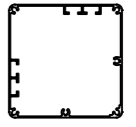
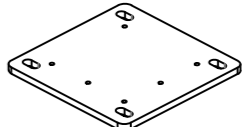
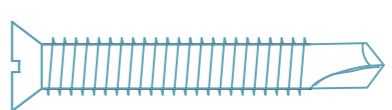
Motor Wires Diagram - The control box is not on the post

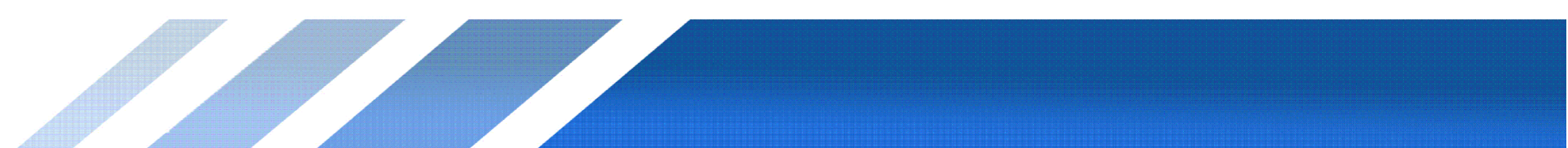


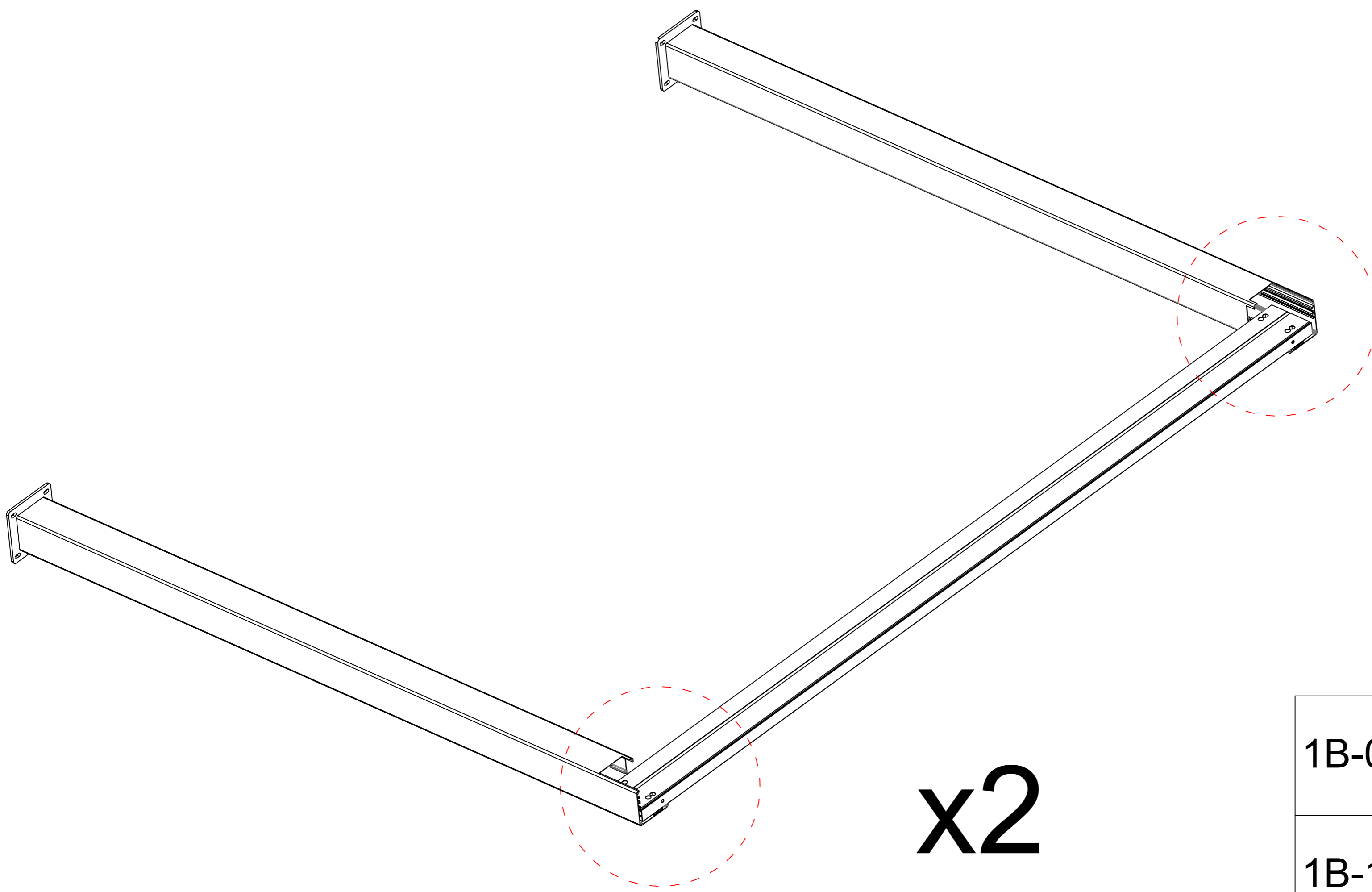
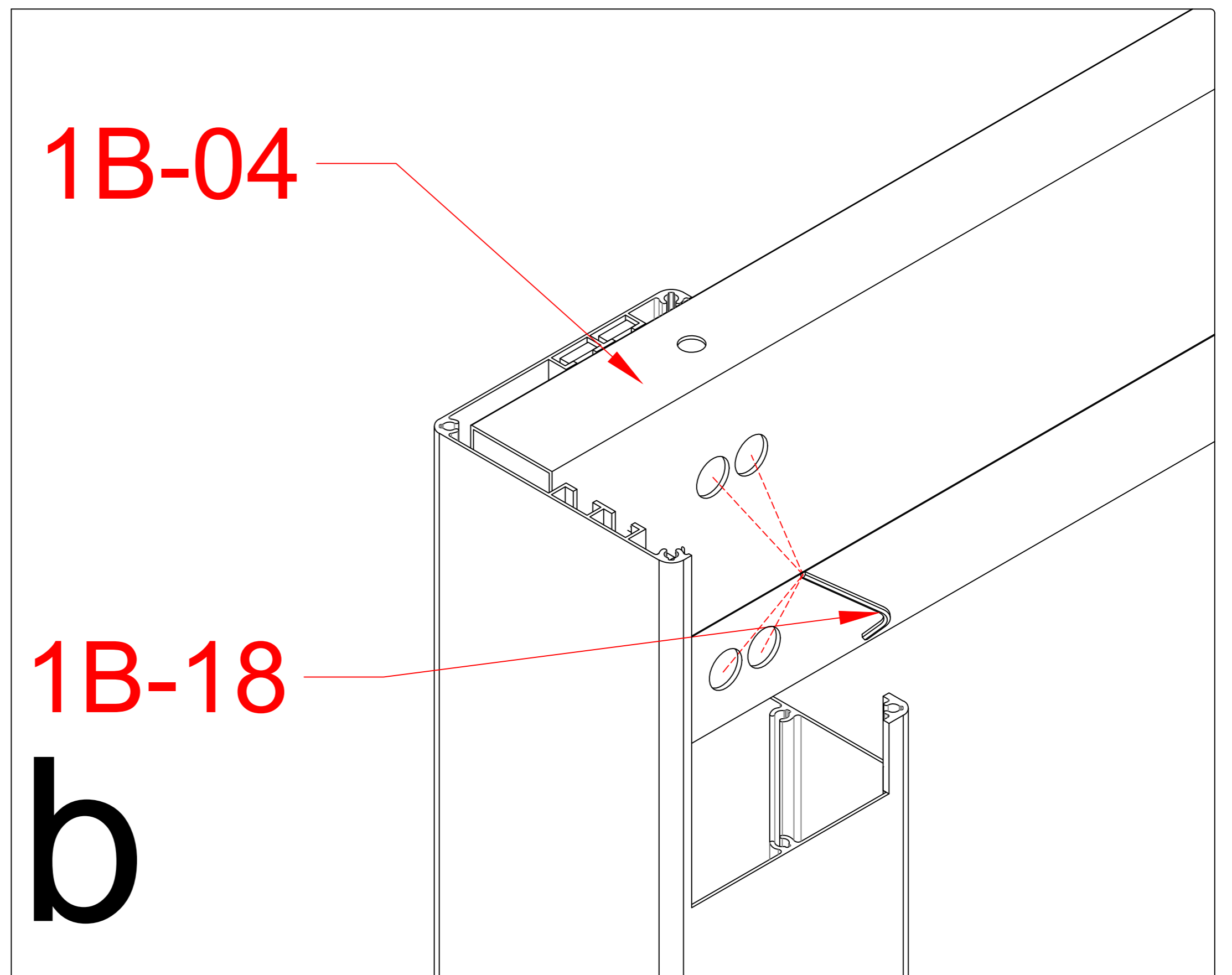
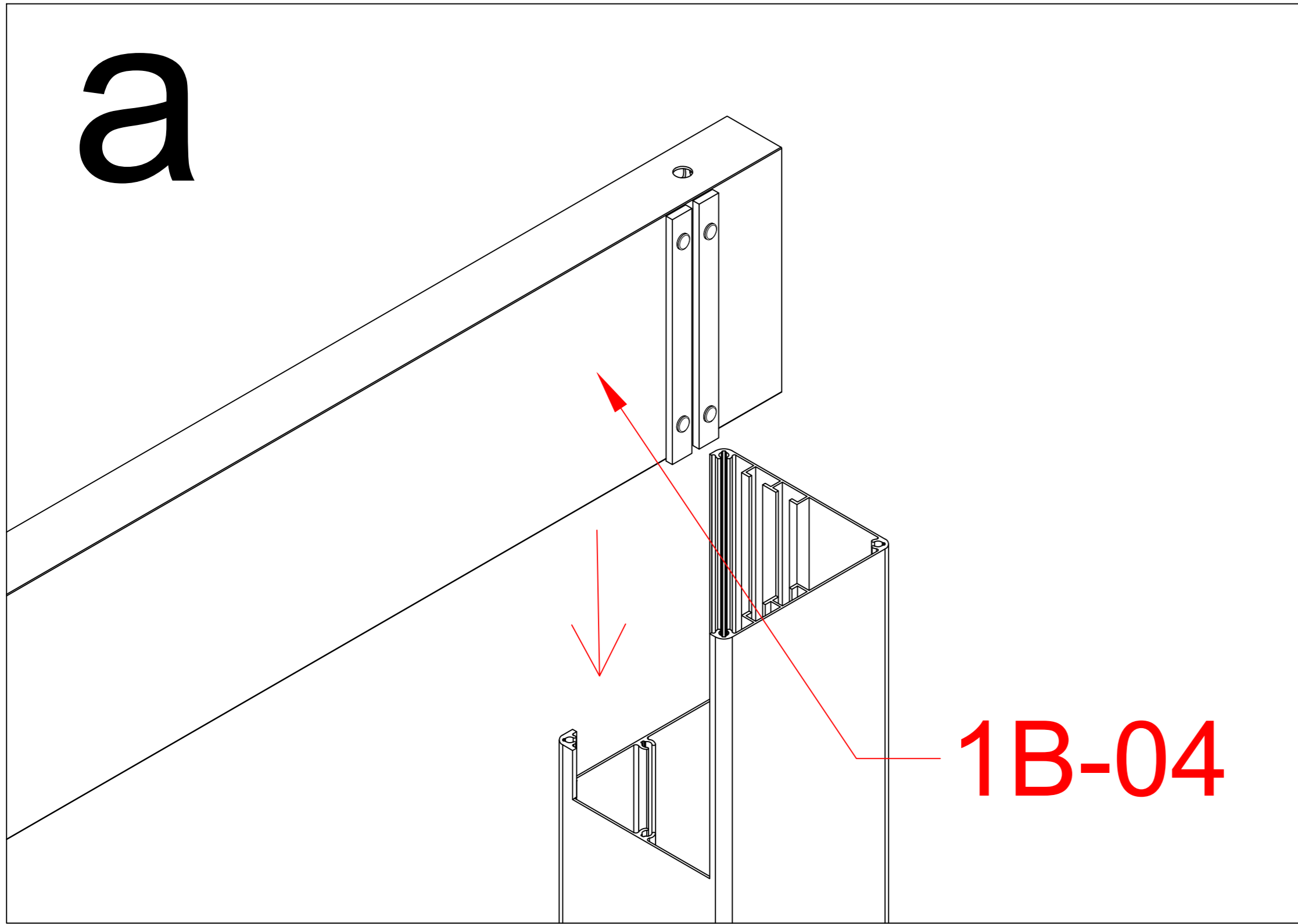


If there are electrical components including motor, blinds or LED light, Set the wire through the post firstly, otherwise it would be very difficult to do so after pergola was assembled.

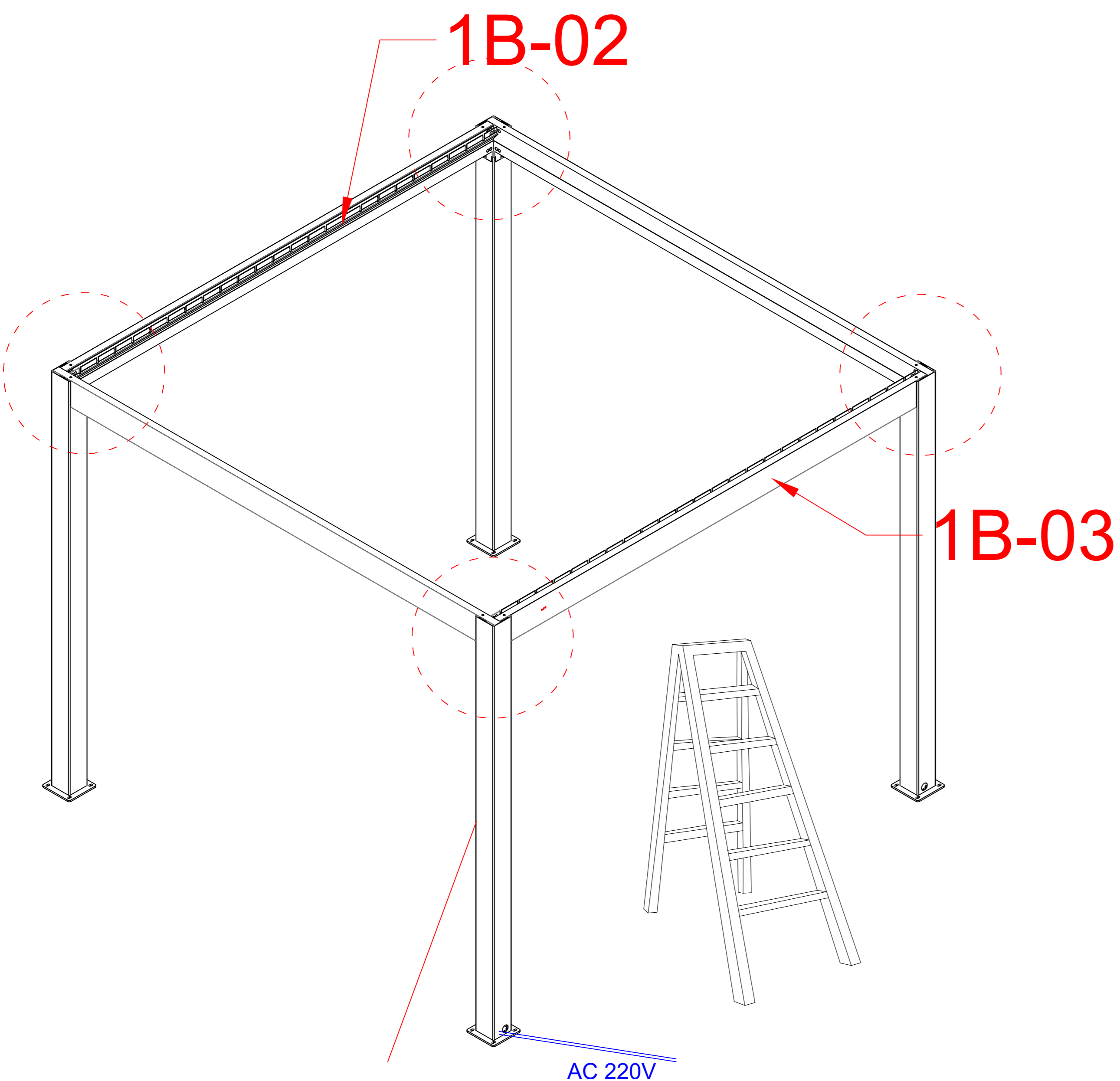
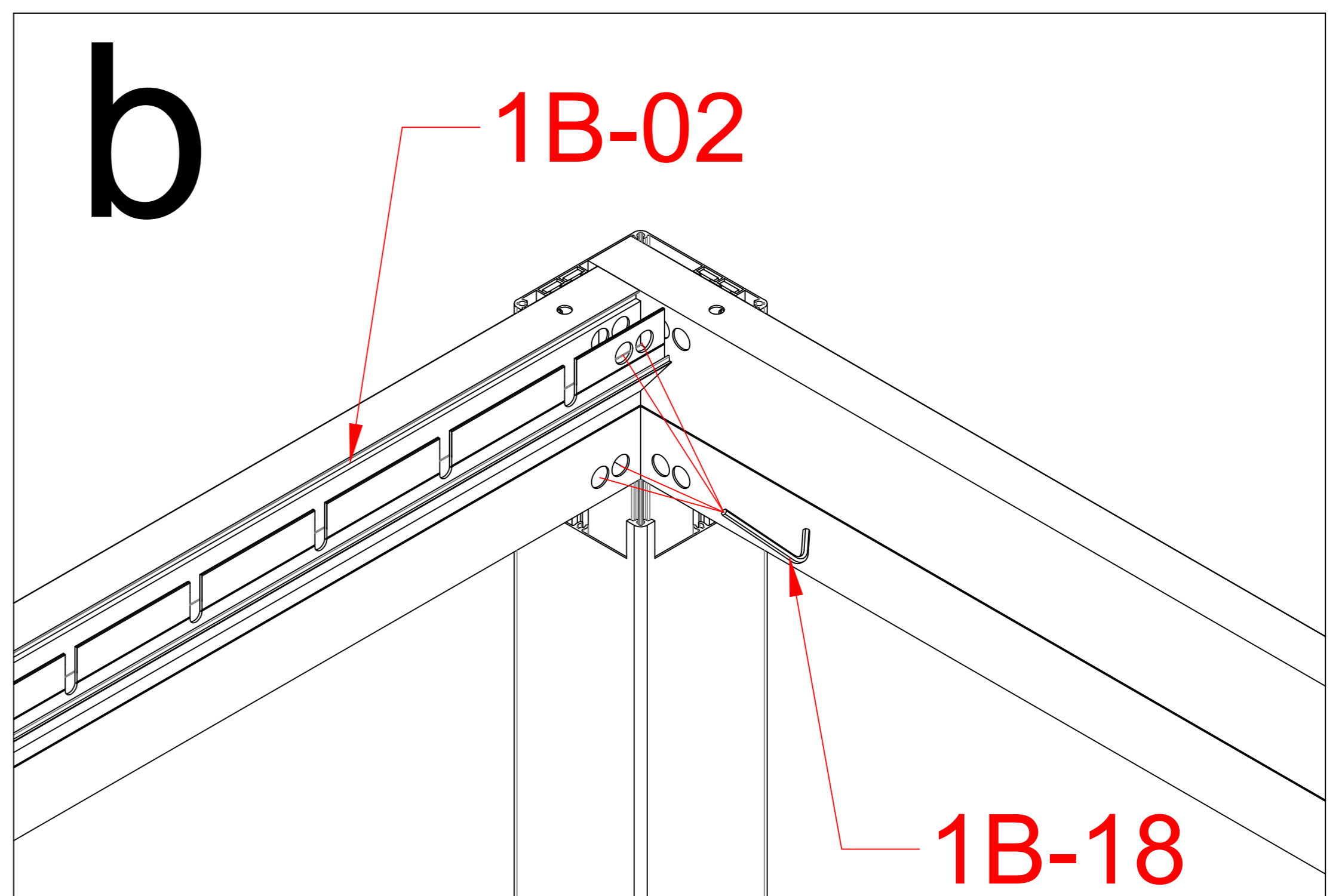
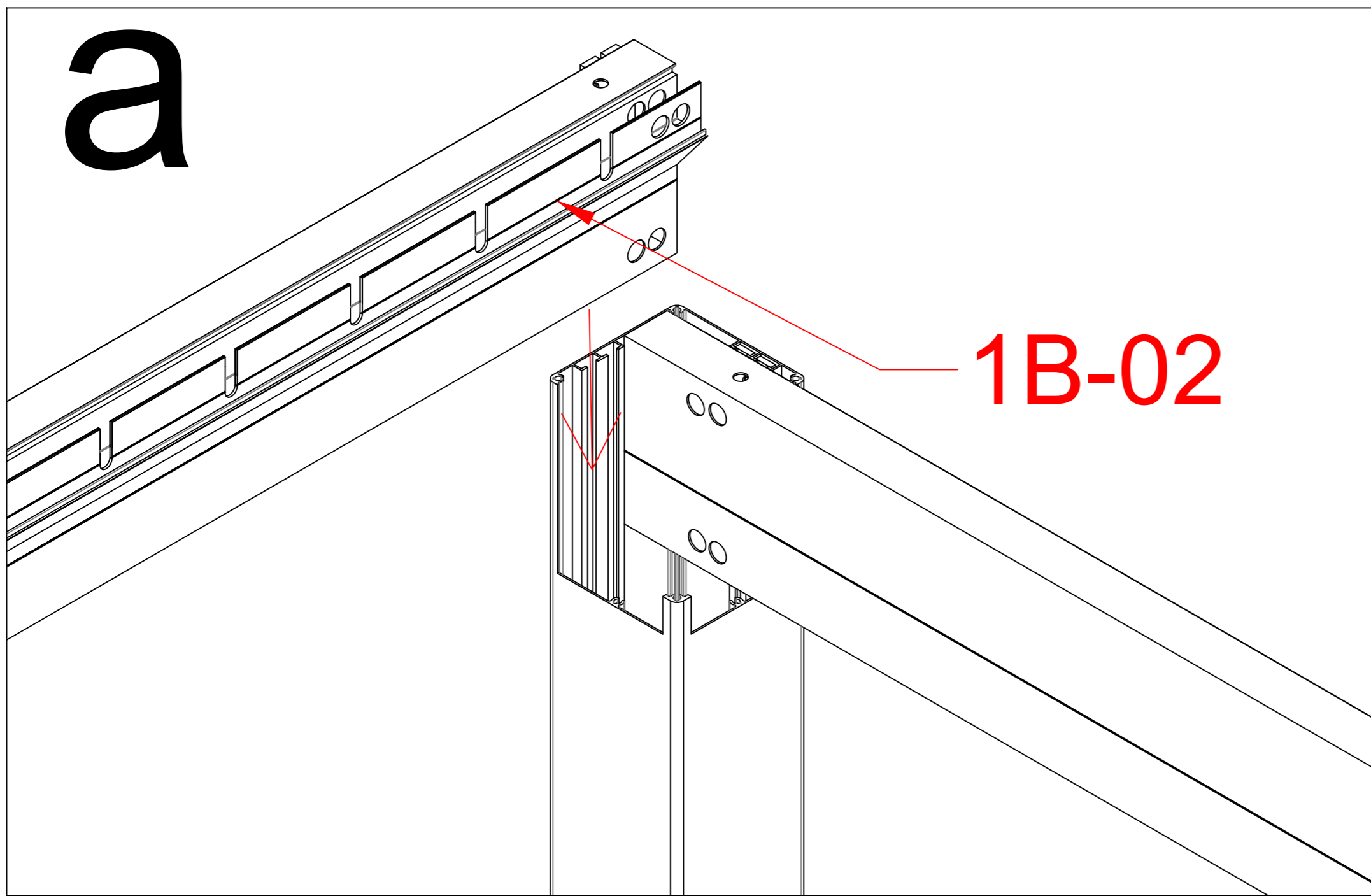


1B-01	 	4
1B-13		4
1B-22		24





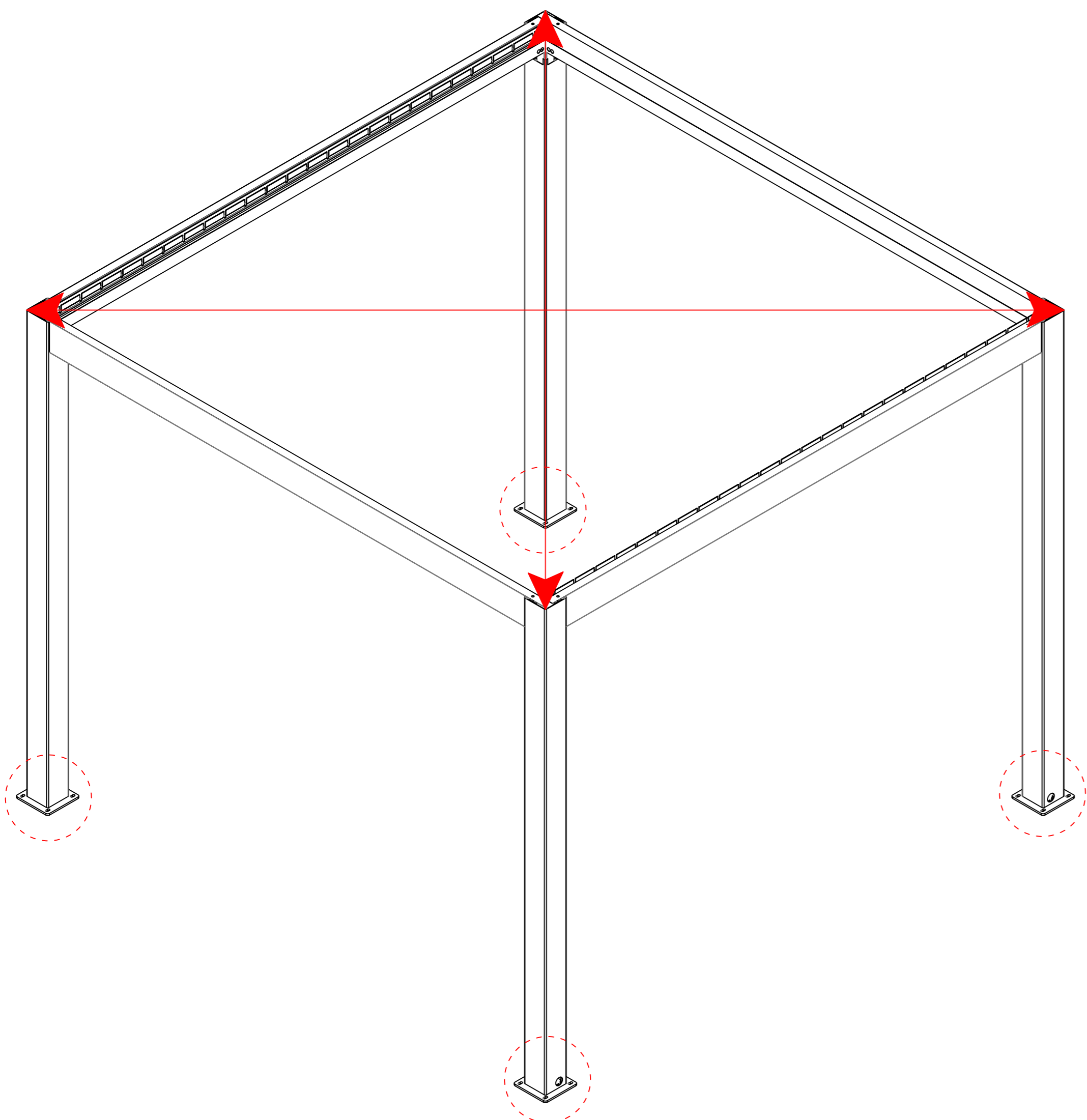
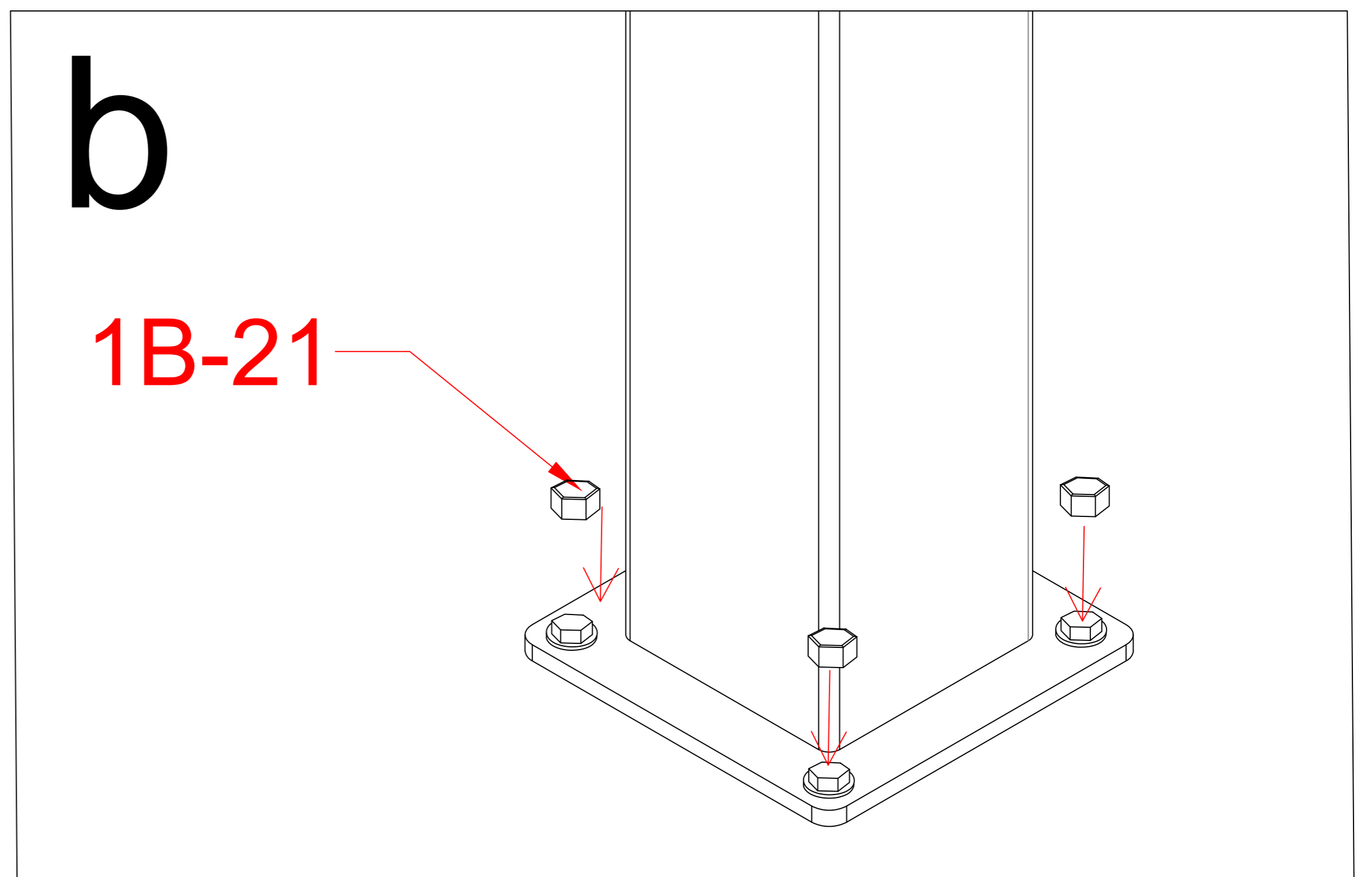
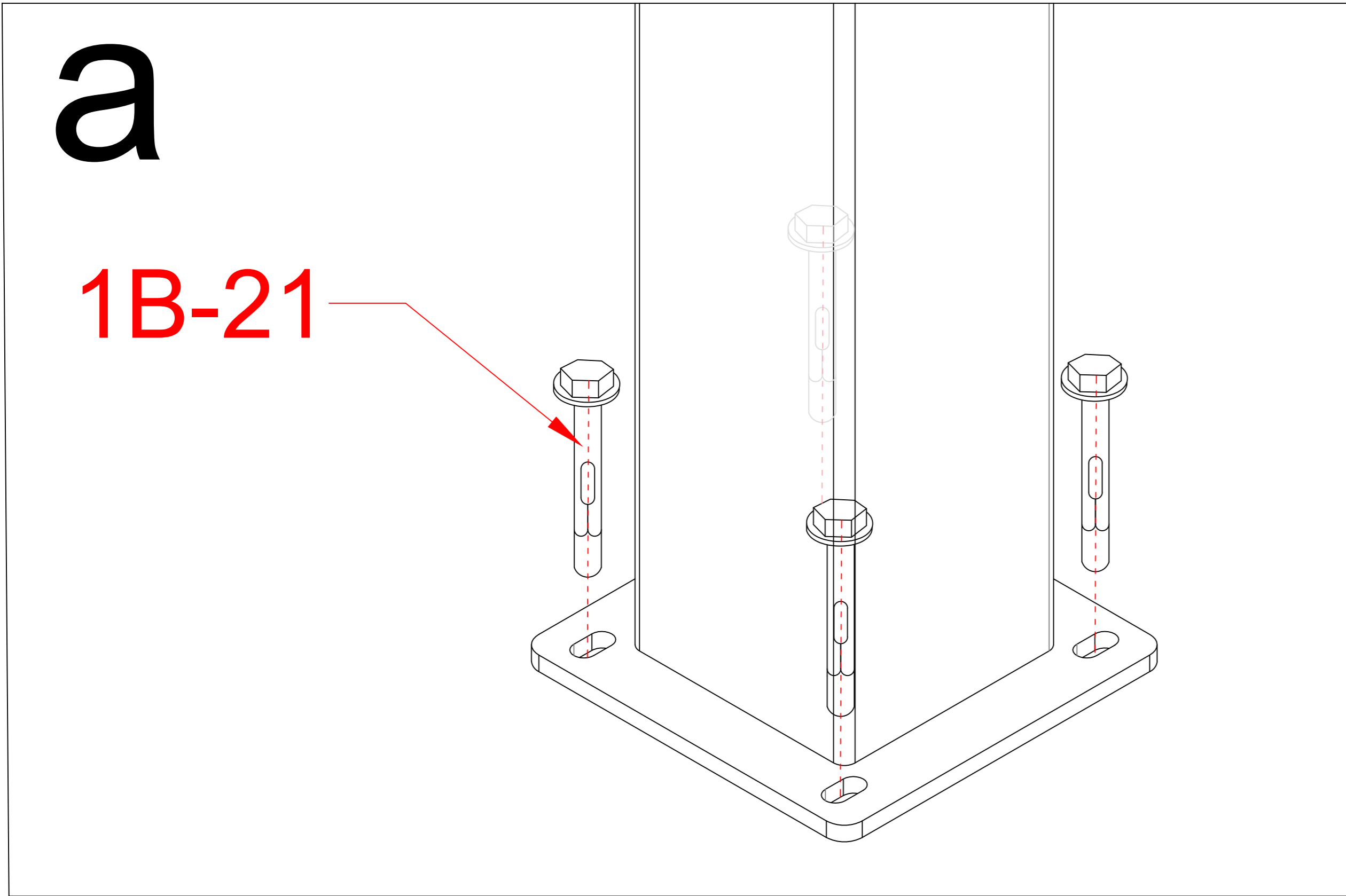
1B-04		2
1B-18		1



1B-02			1
1B-03			1
1B-18			1

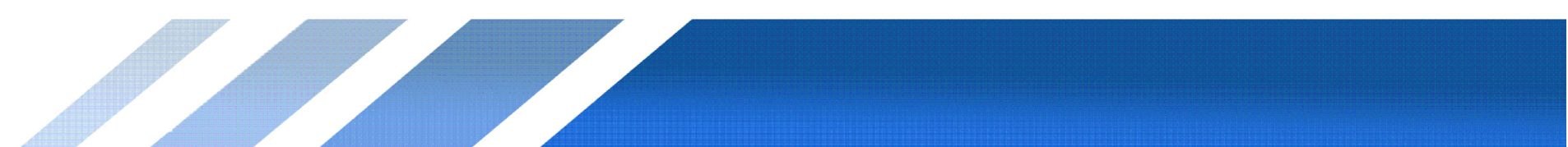
The post for drilling and threading.

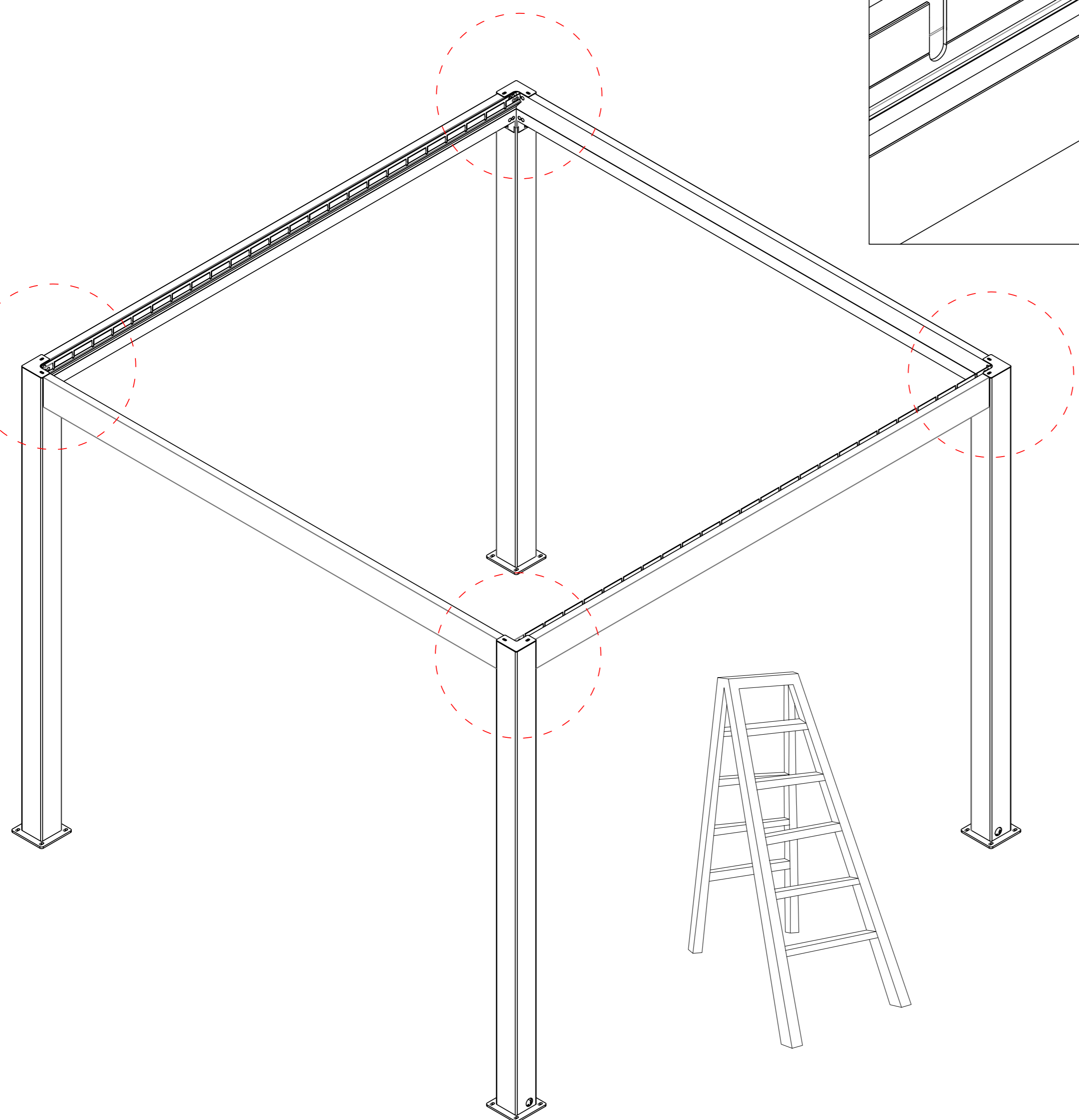
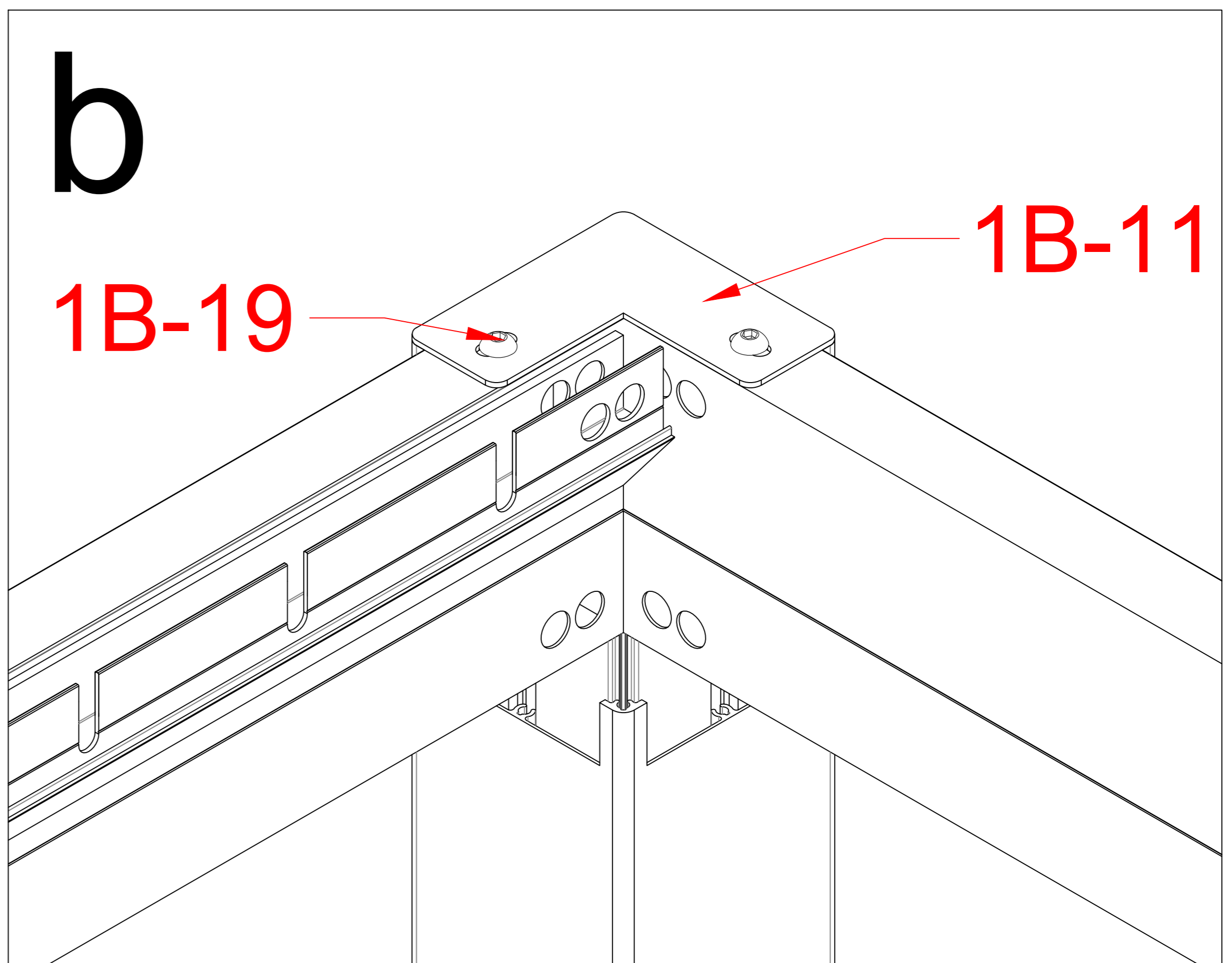
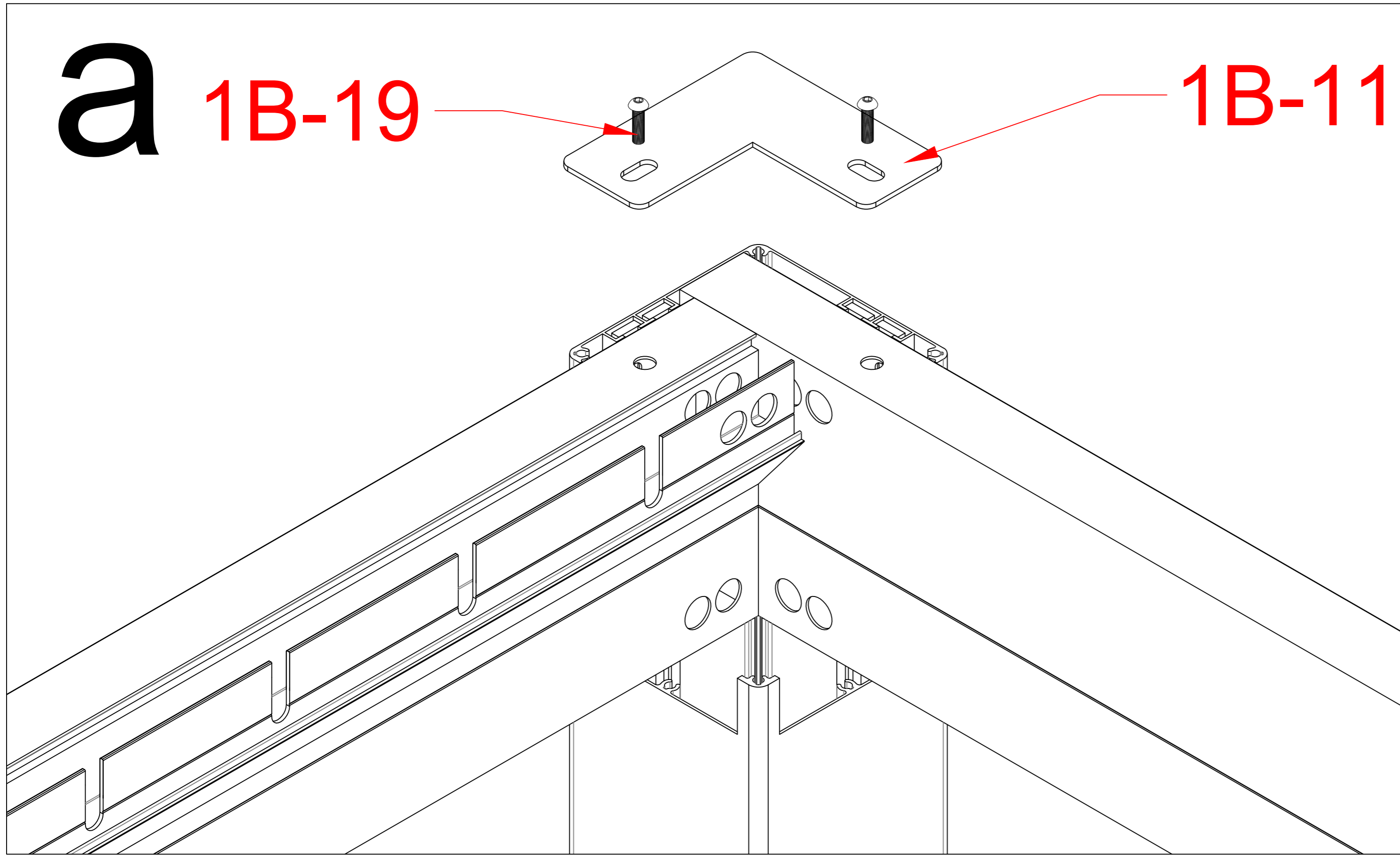




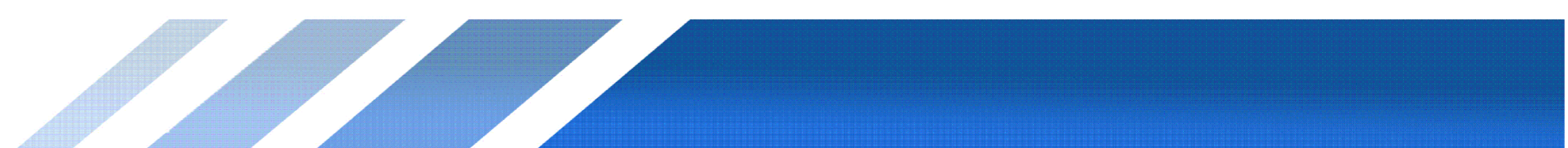
Pls measure the diagonal size and make sure the diagonal size keeps same before screw 1B-21 mounted. If not, pls adjust it to same size.

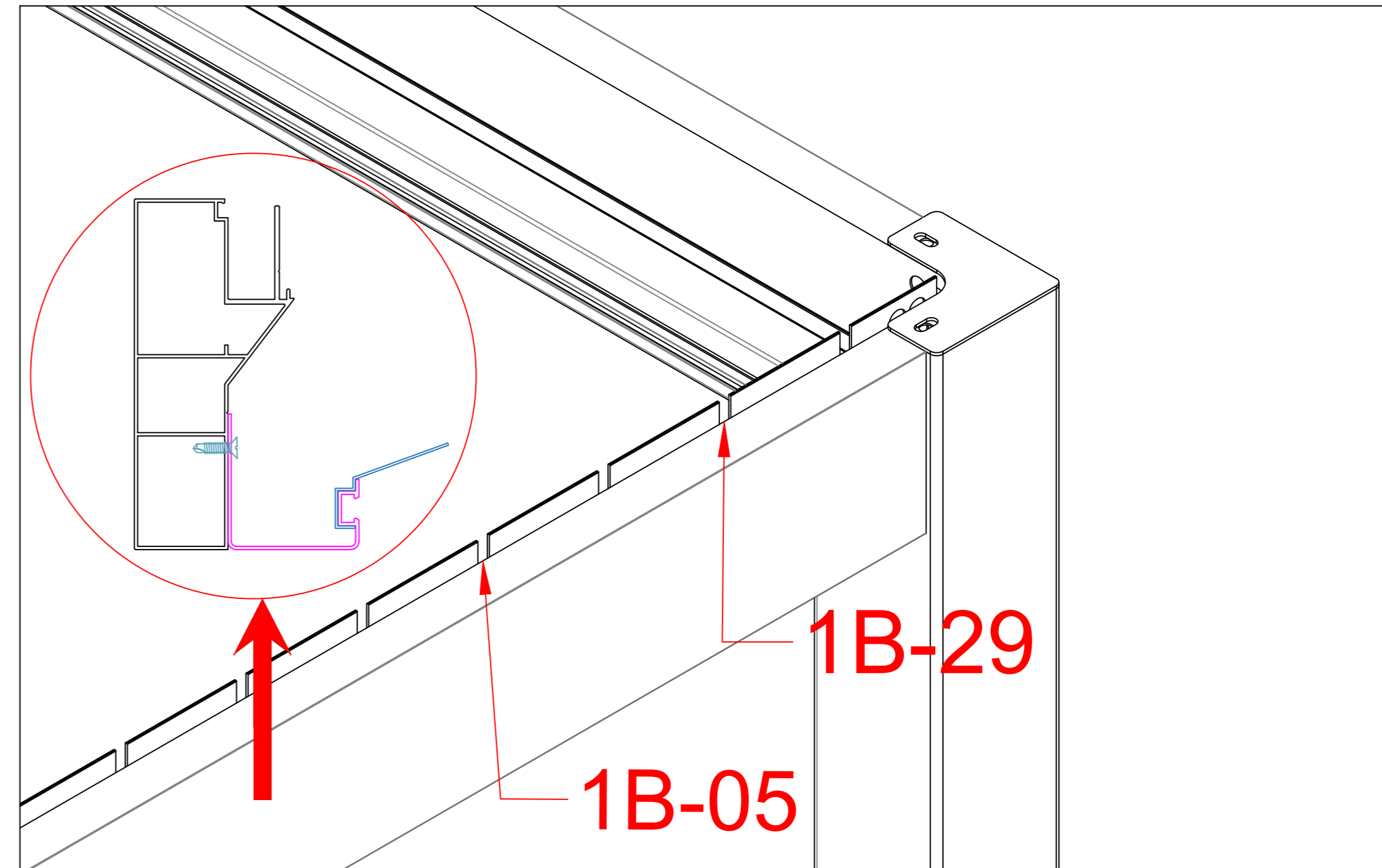
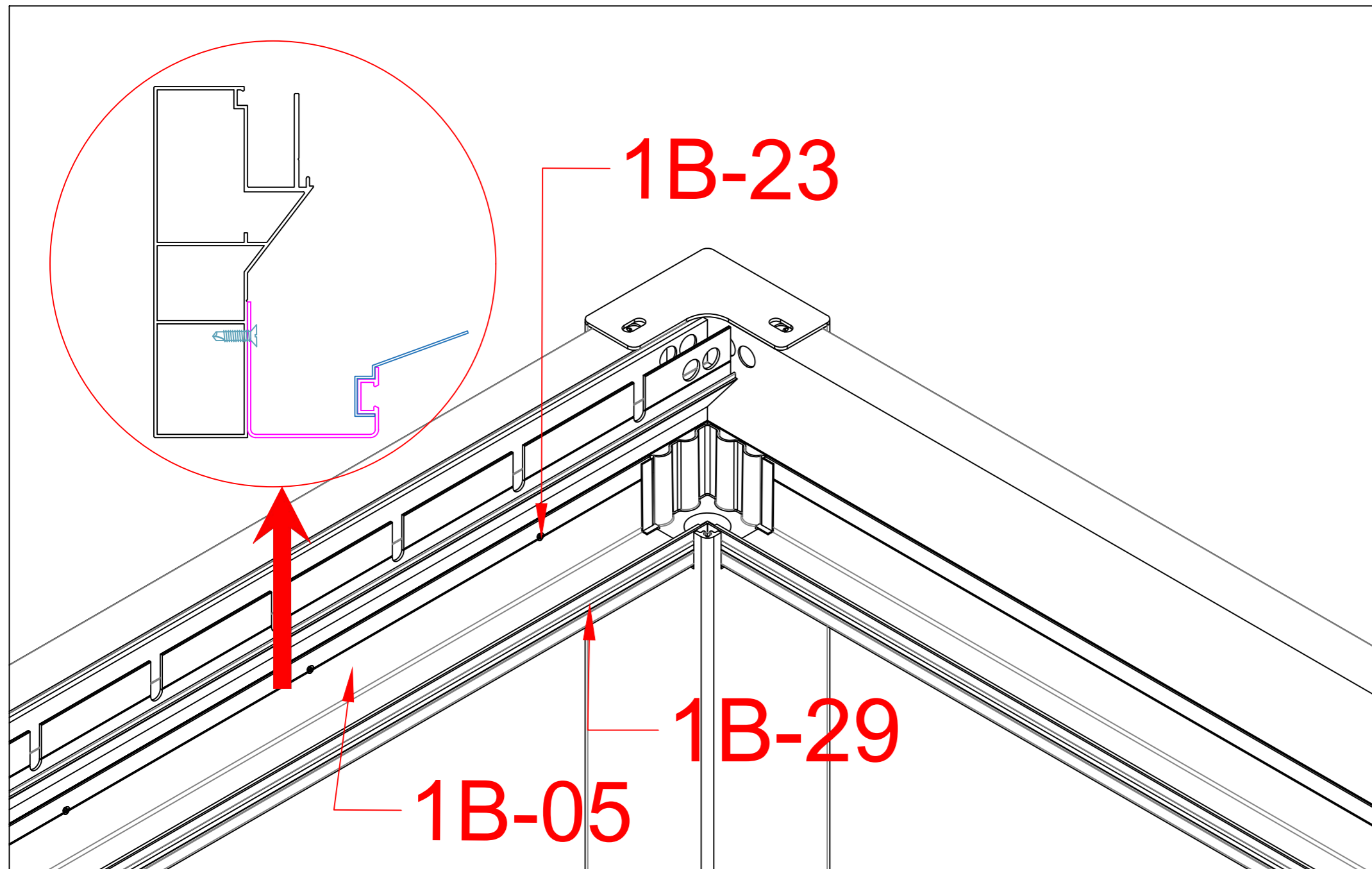
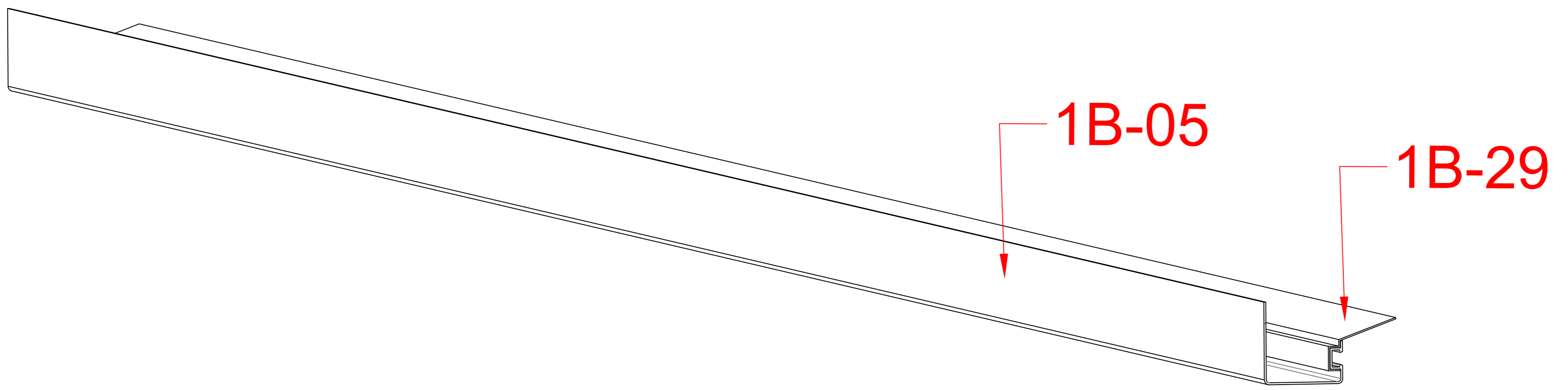
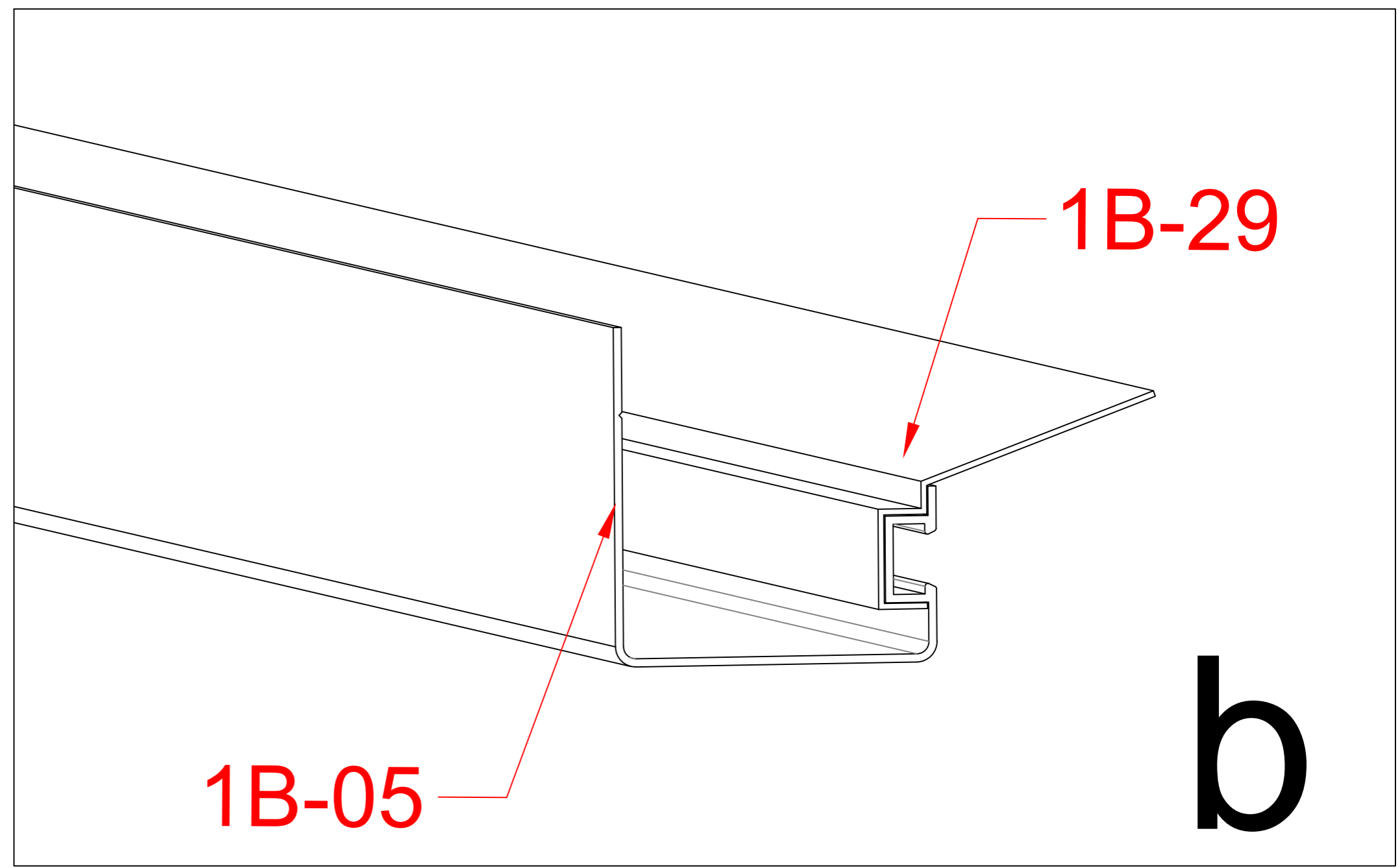
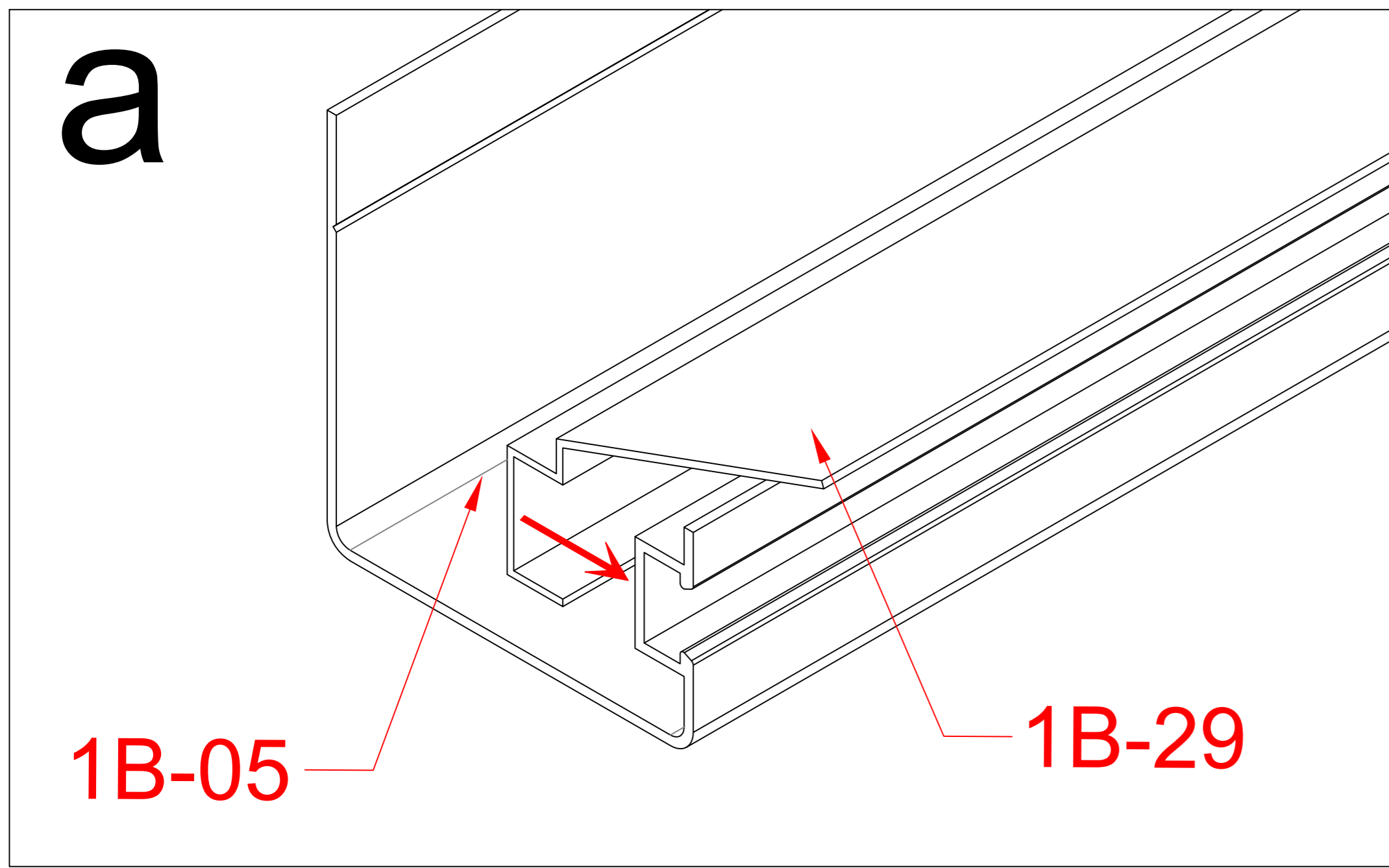
1B-21		16
-------	--	----

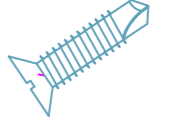
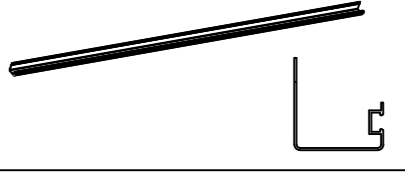
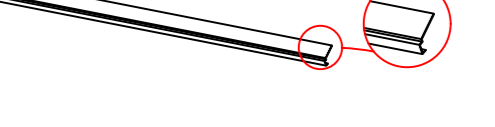


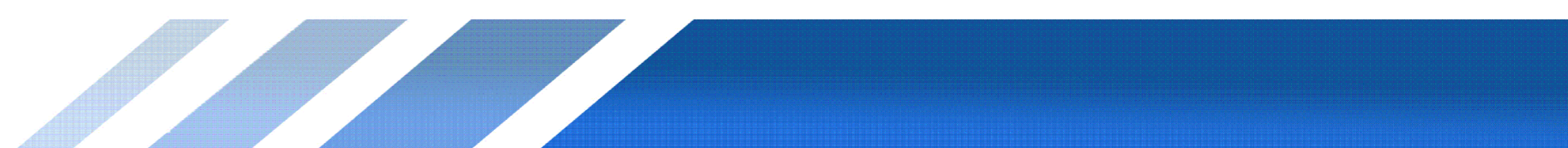


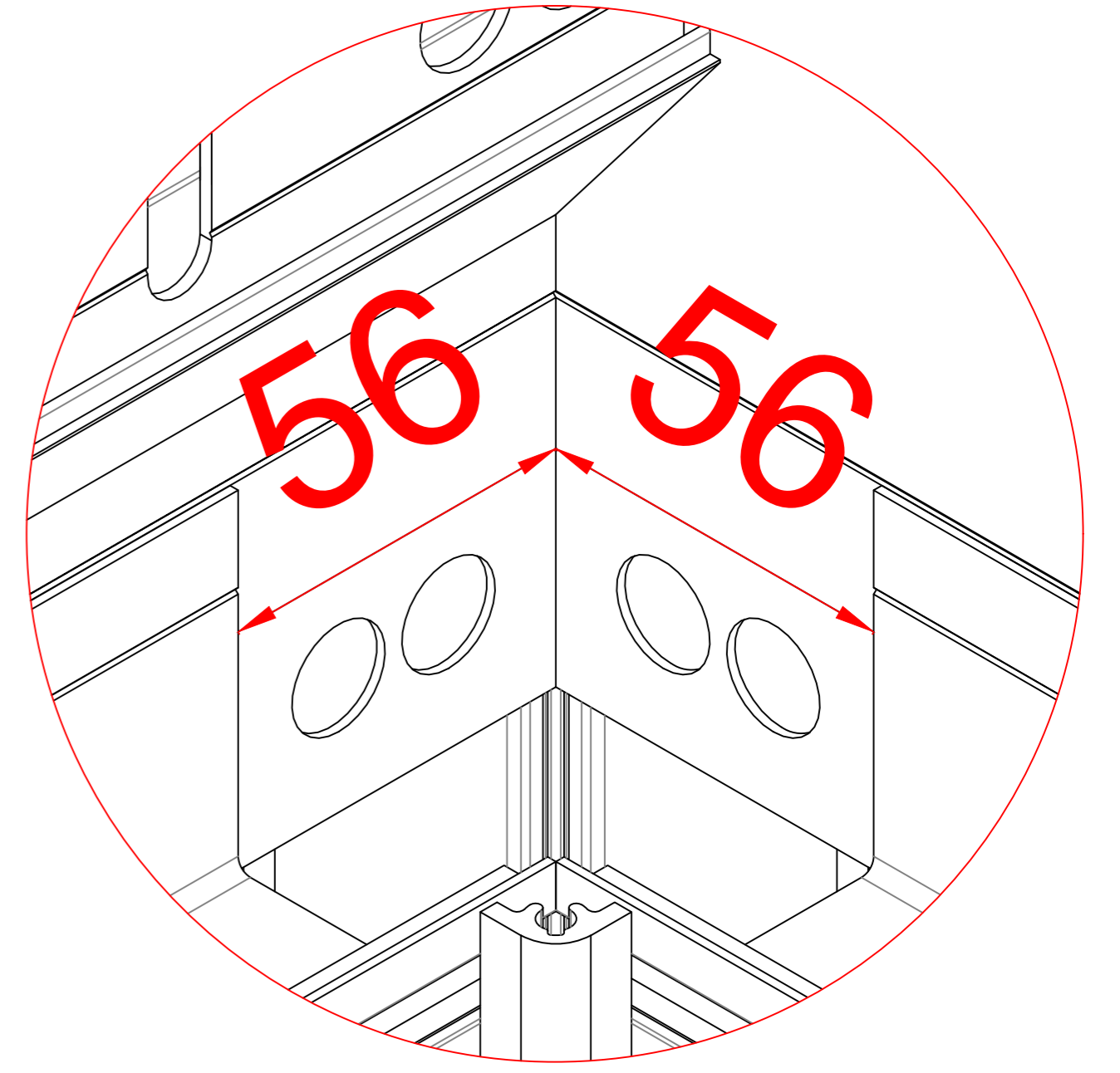
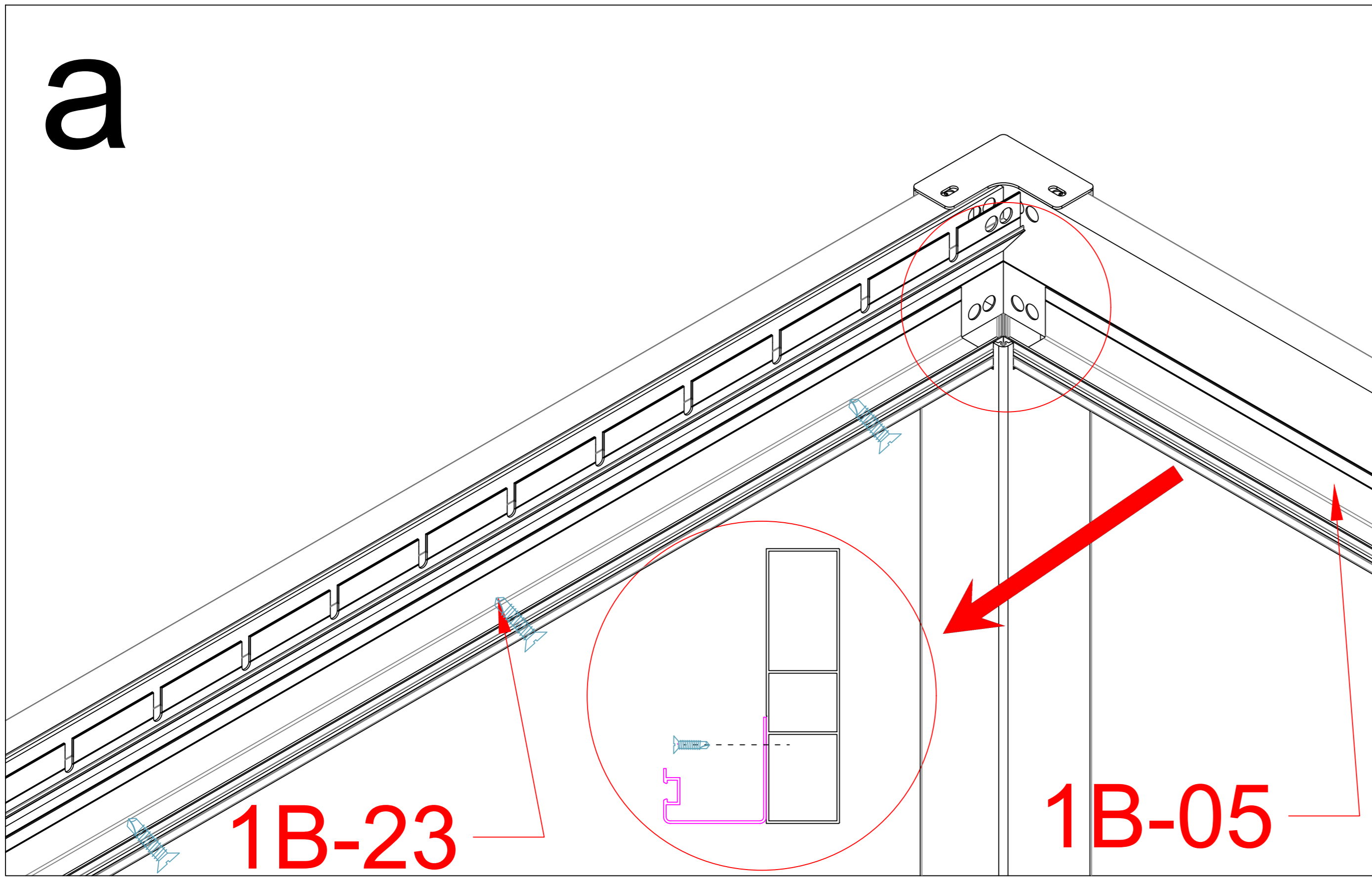
1B-11		4
1B-19		8



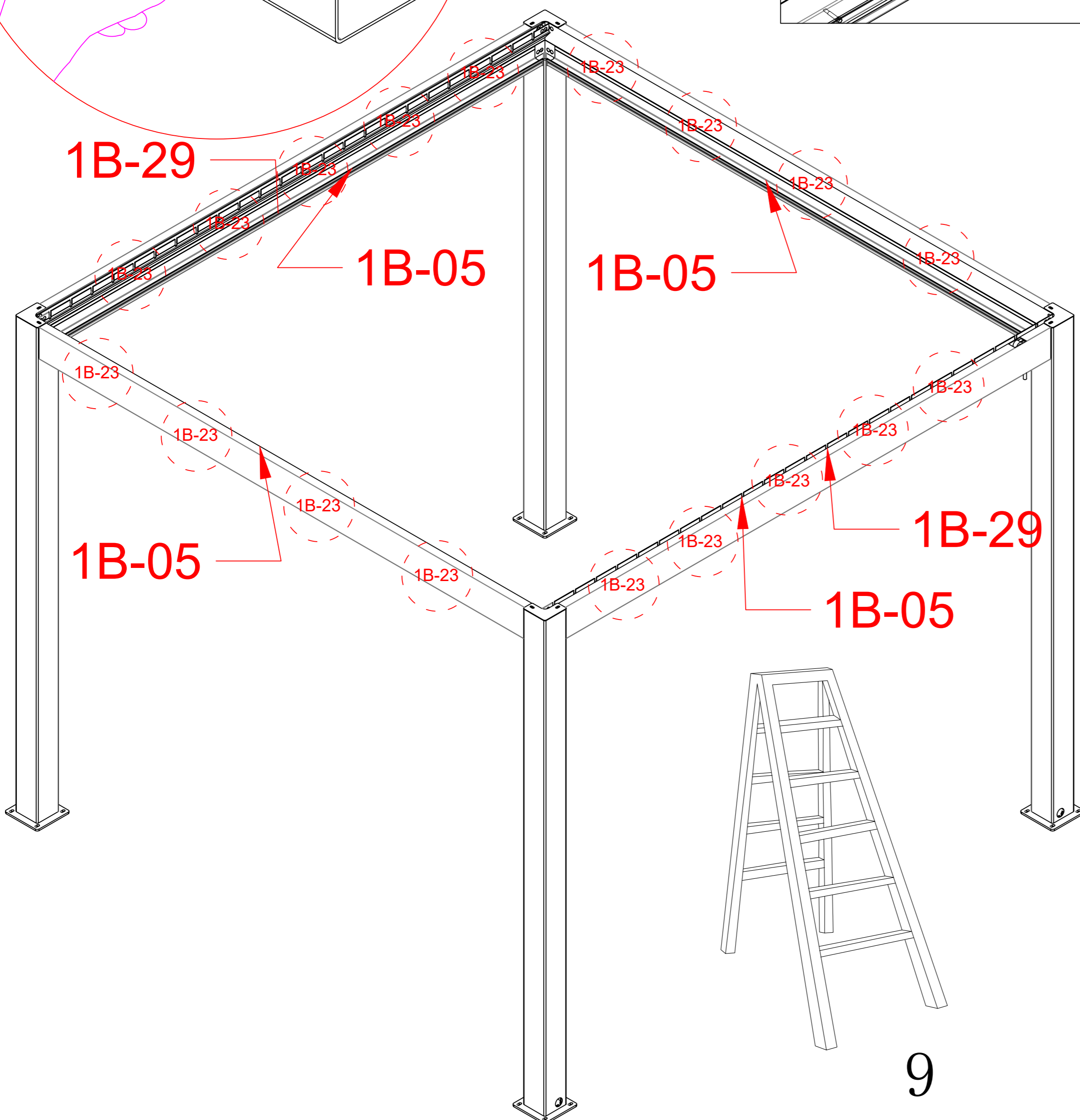
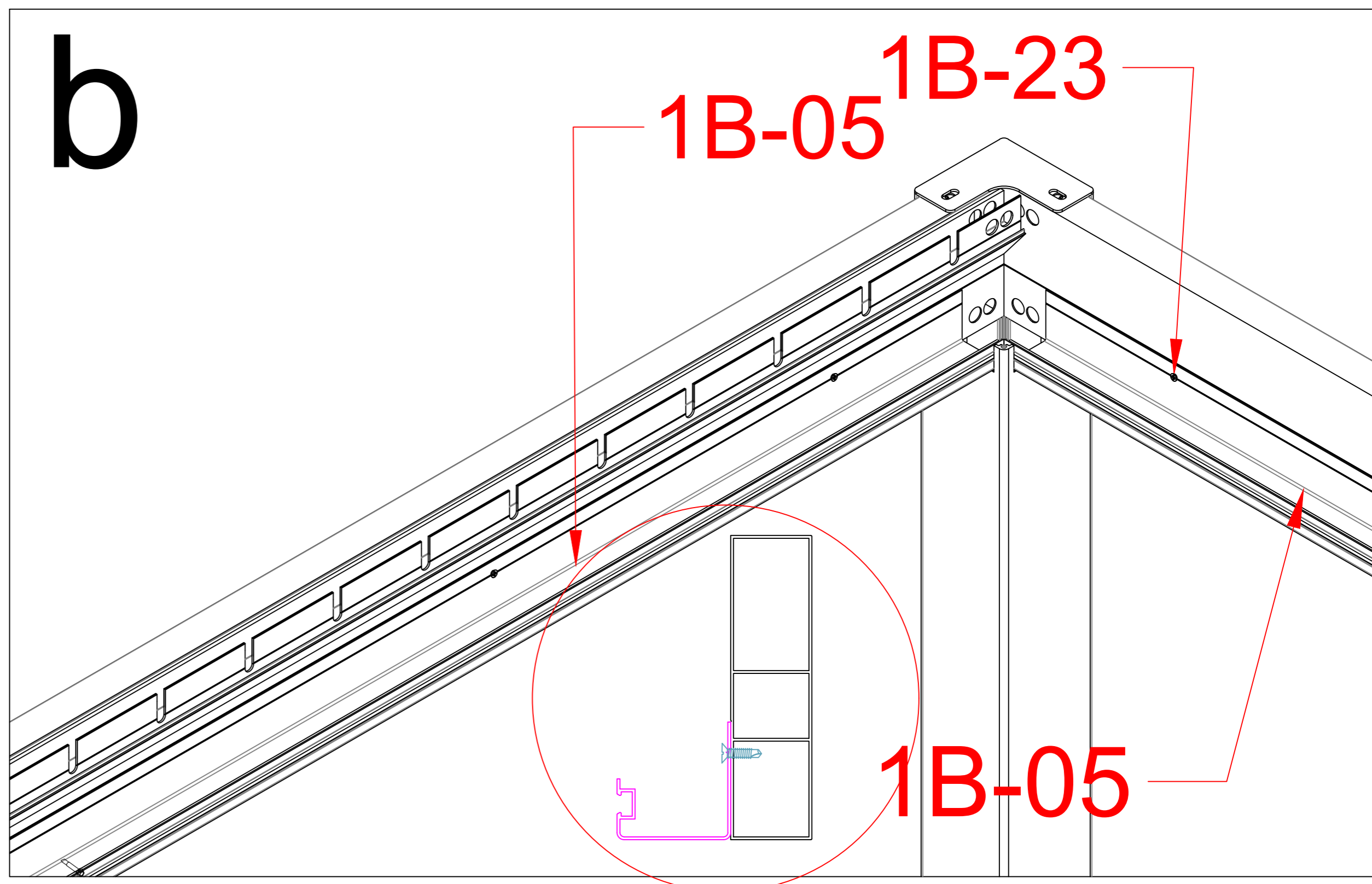
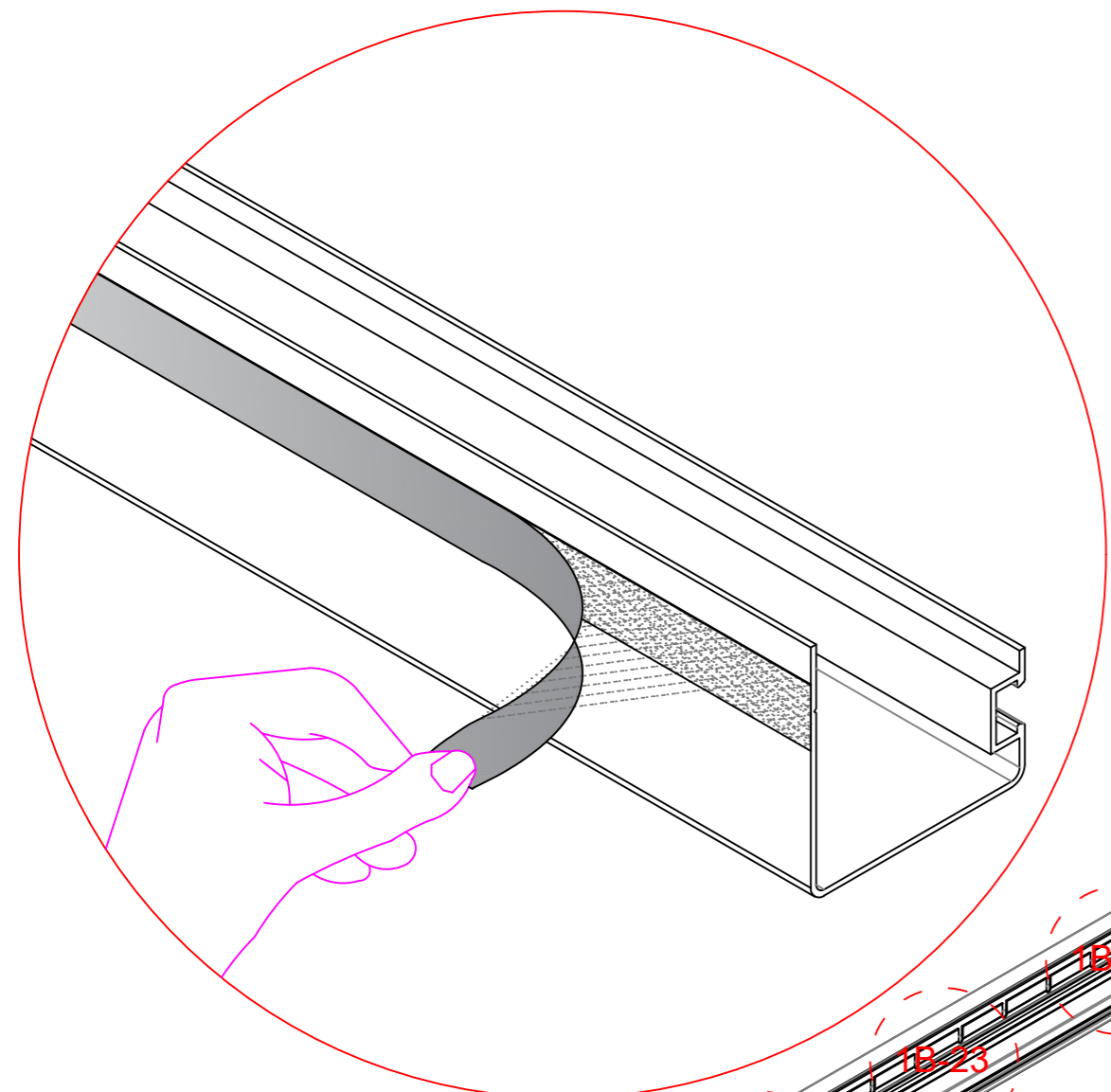


1B-23		10
1B-05		2
1B-29		2

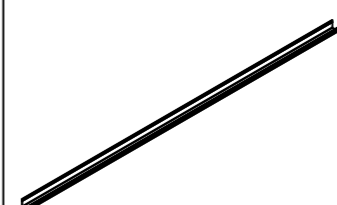
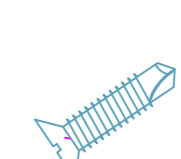




Warning:
Before installation, tear off the protective film of the tape on the back side of Gutter.

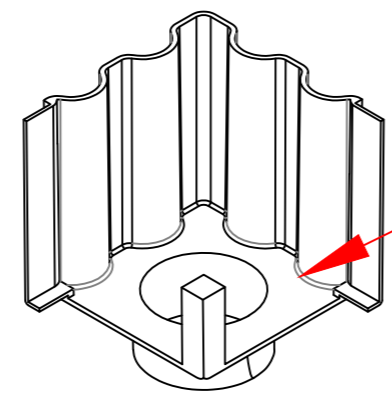


3*4m-18	4screws/3m side 5screws/4m side
---------	------------------------------------

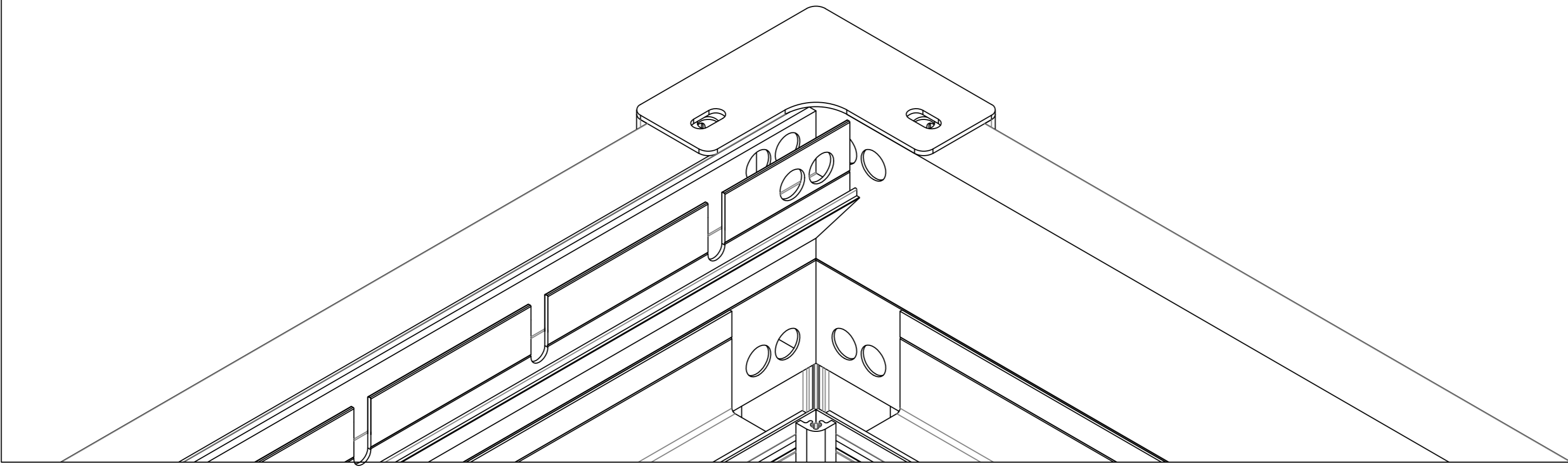
1B-05		2
1B-23		8



a

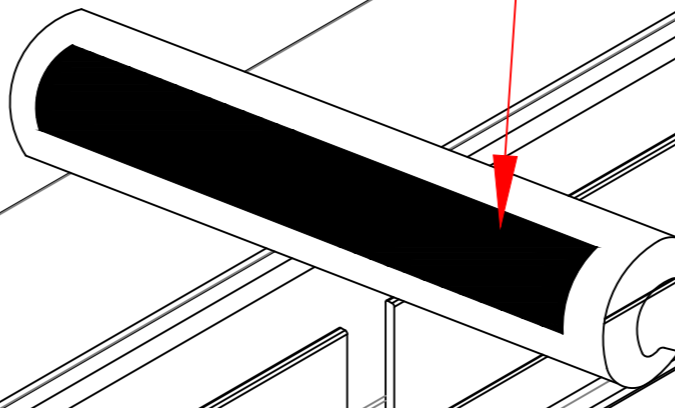


1B-12

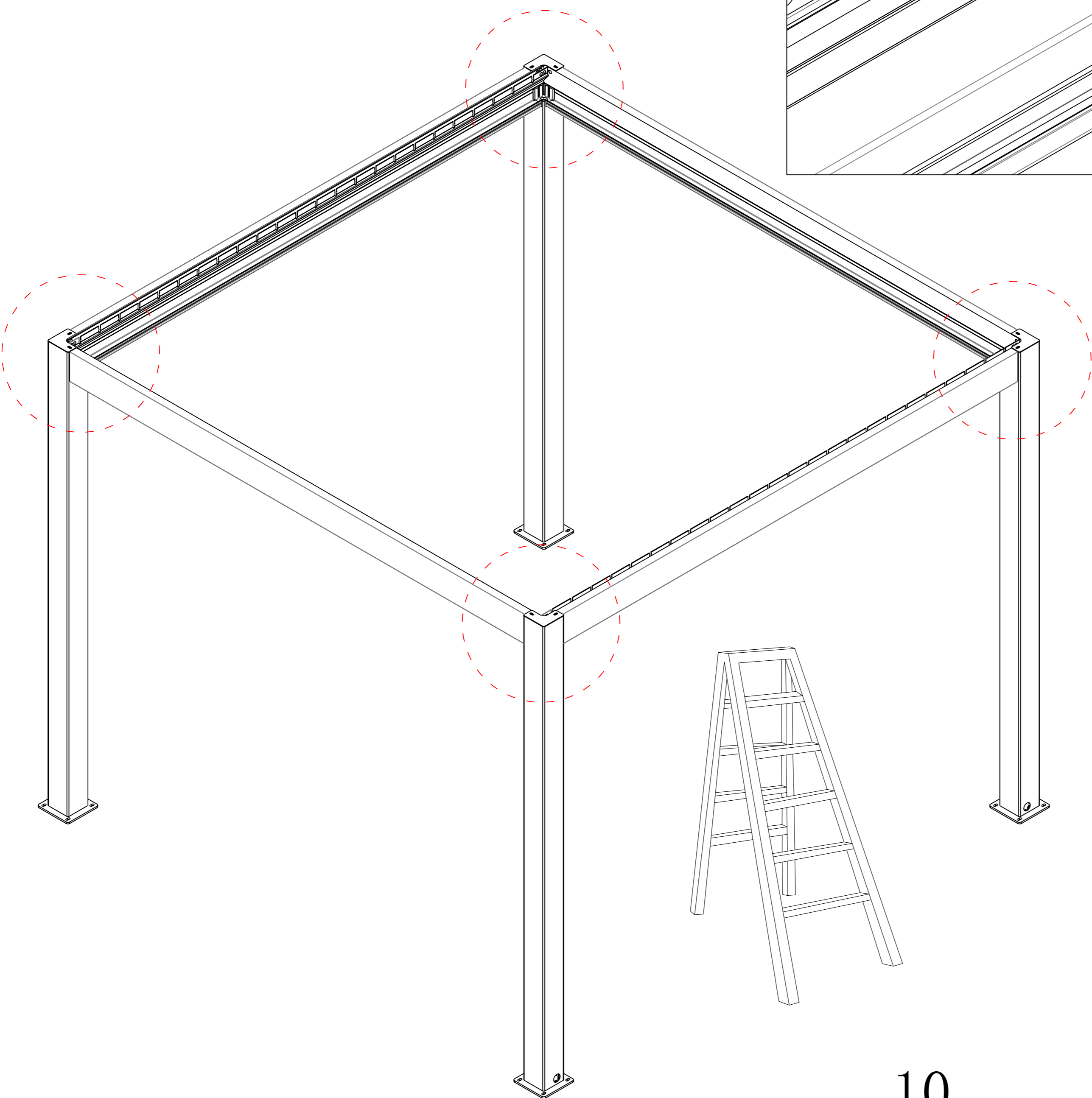
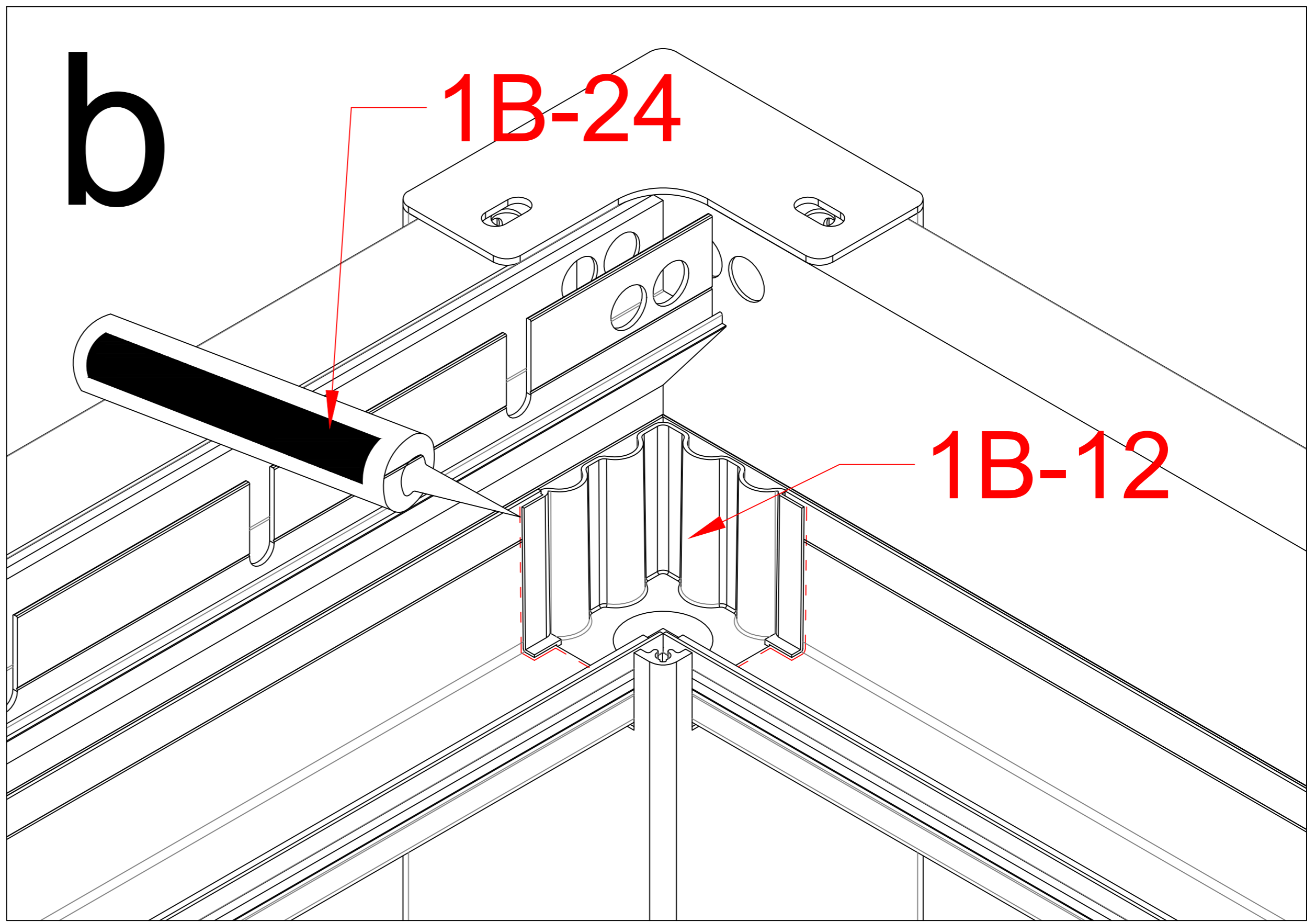


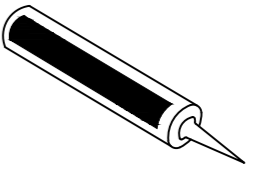
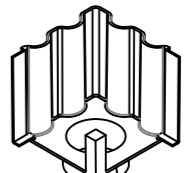
b

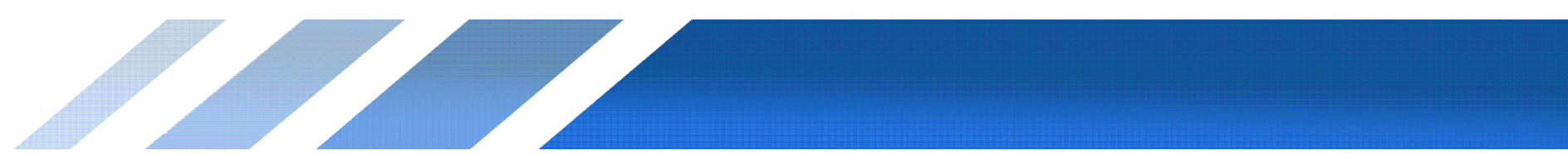
1B-24

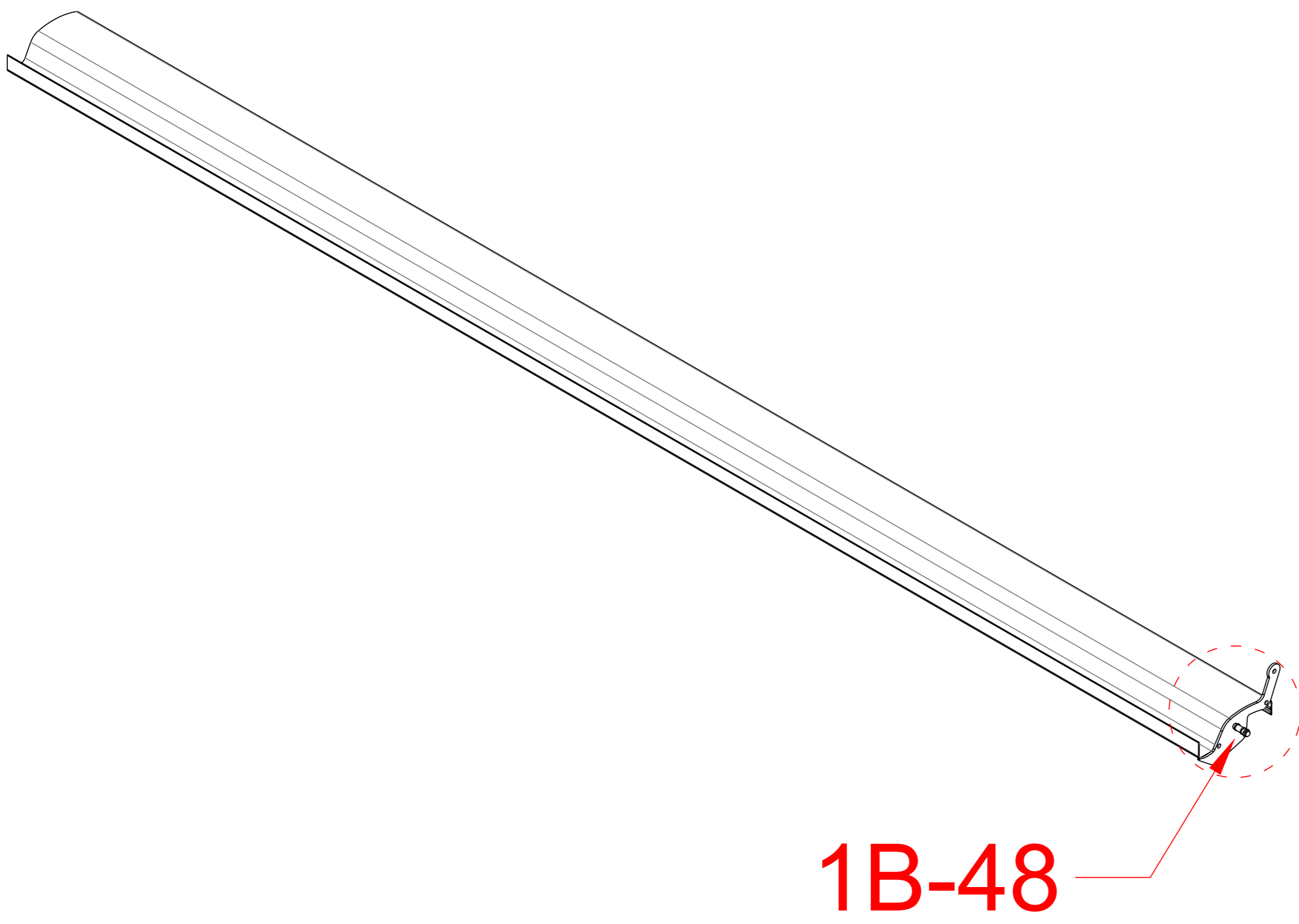
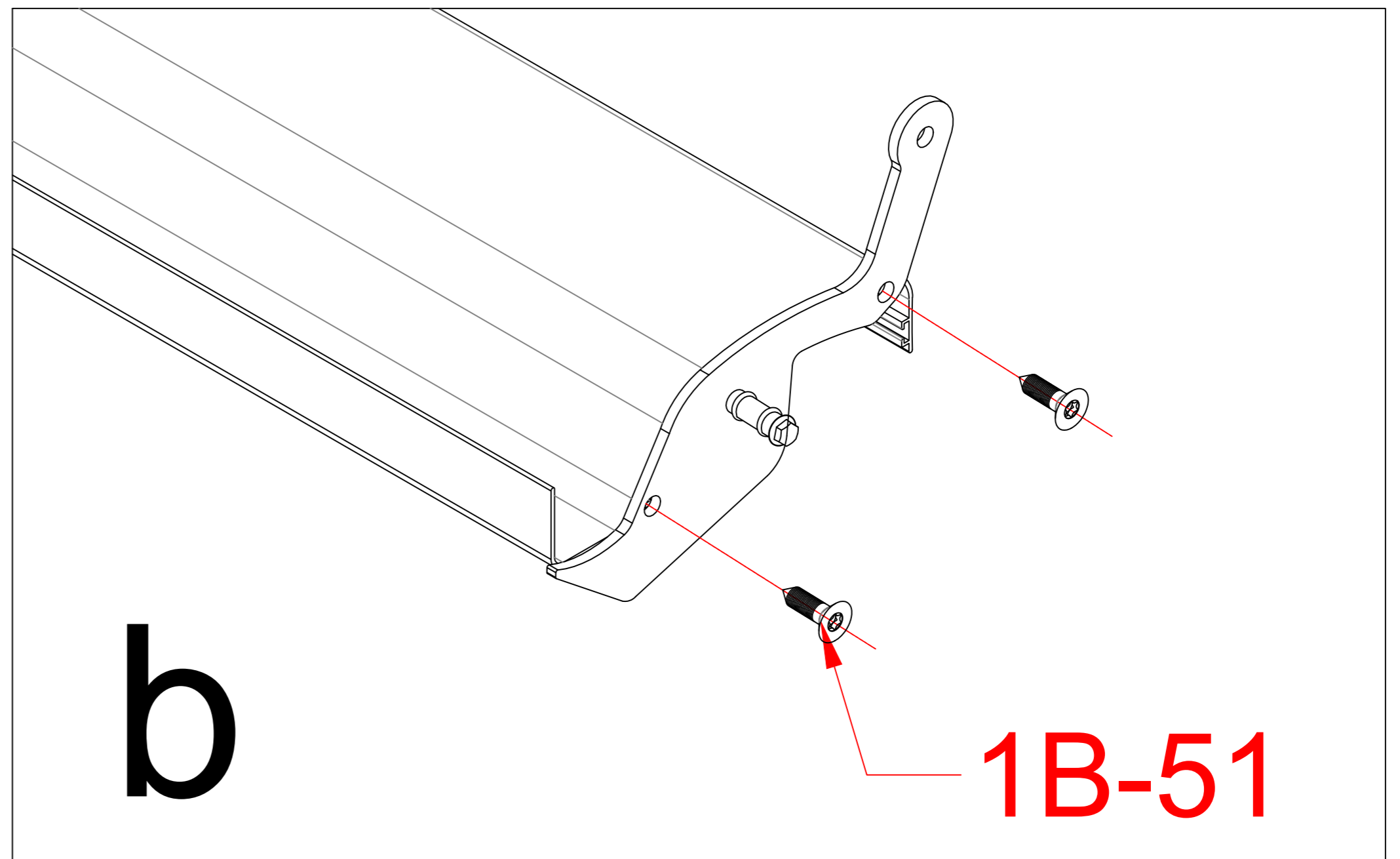
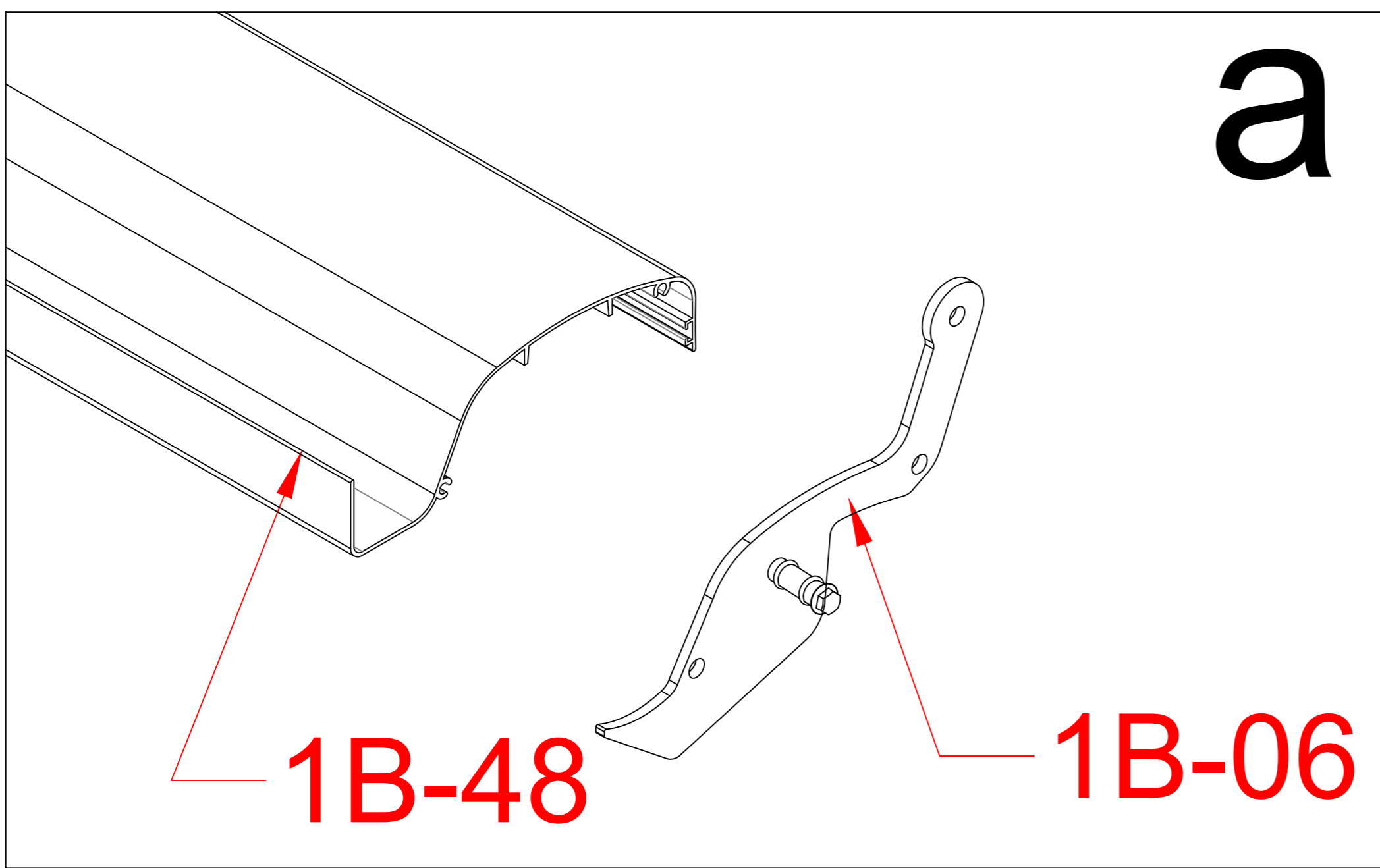


1B-12

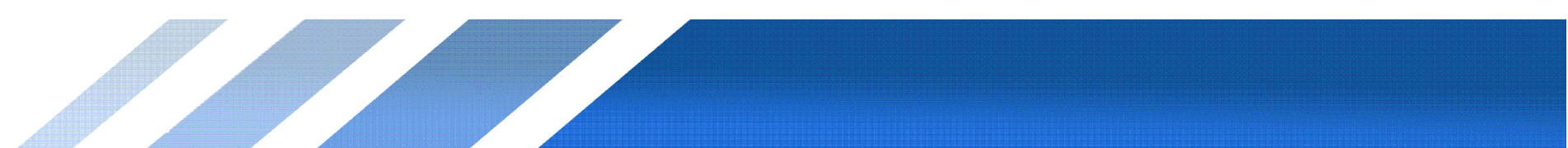


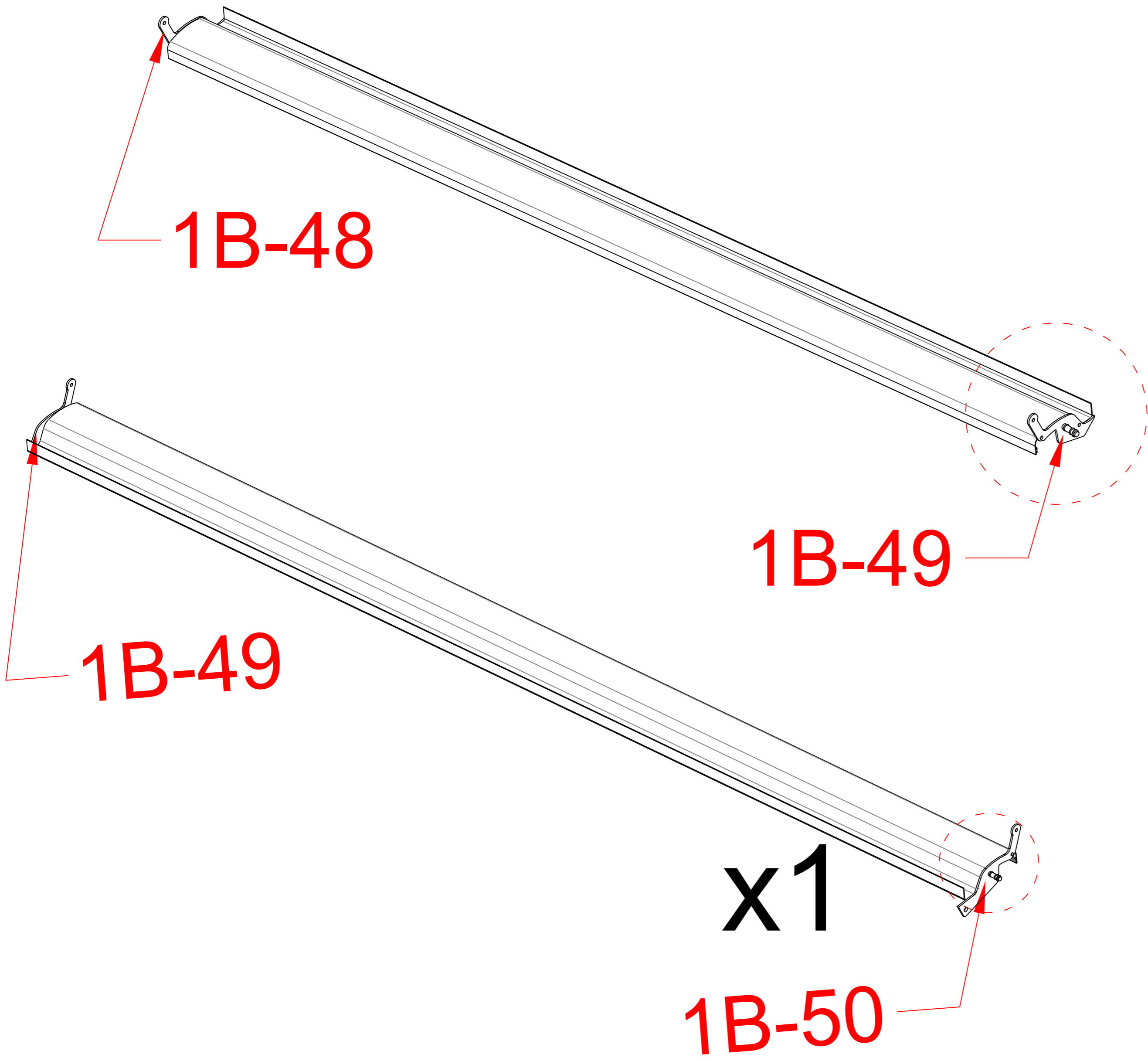
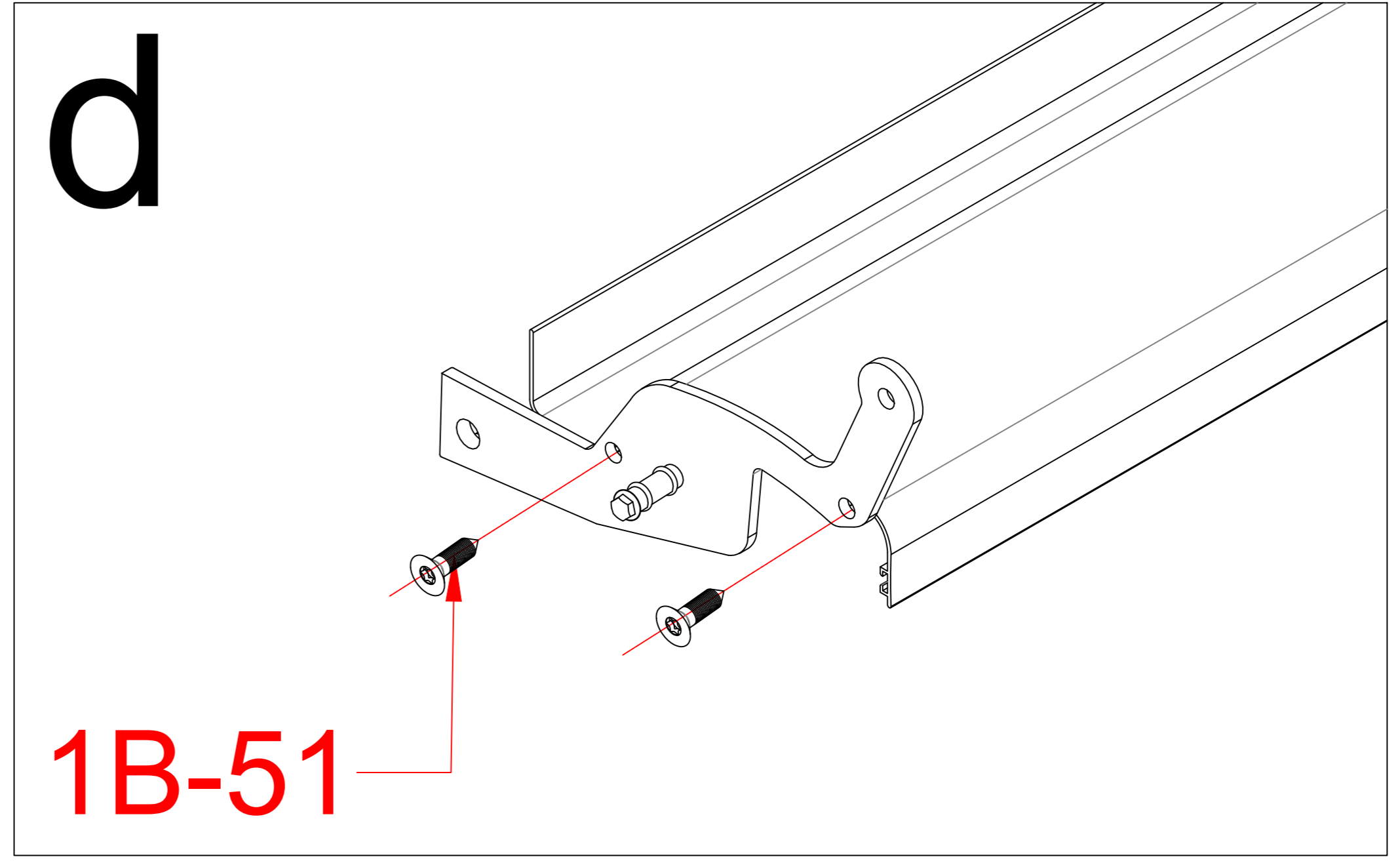
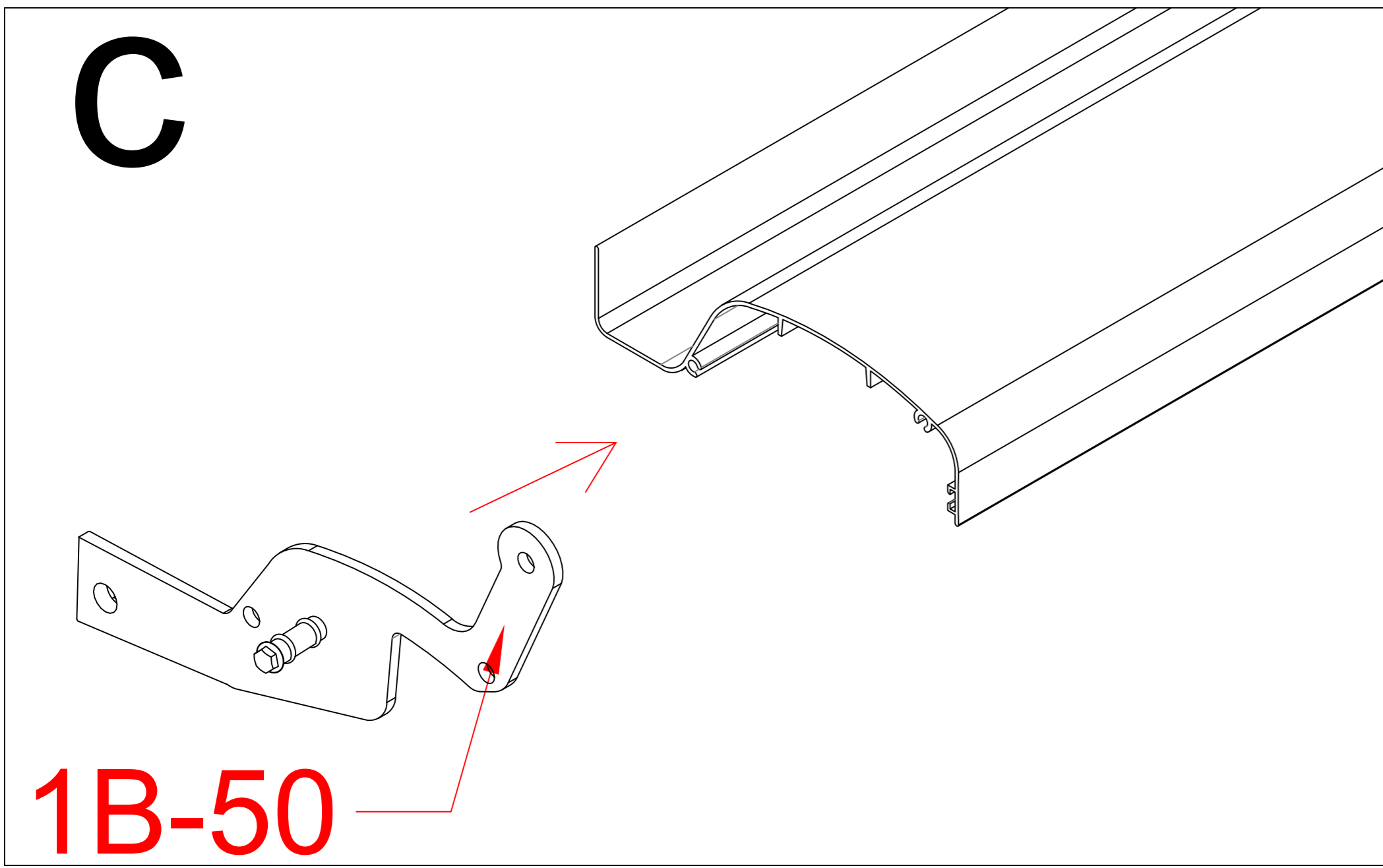
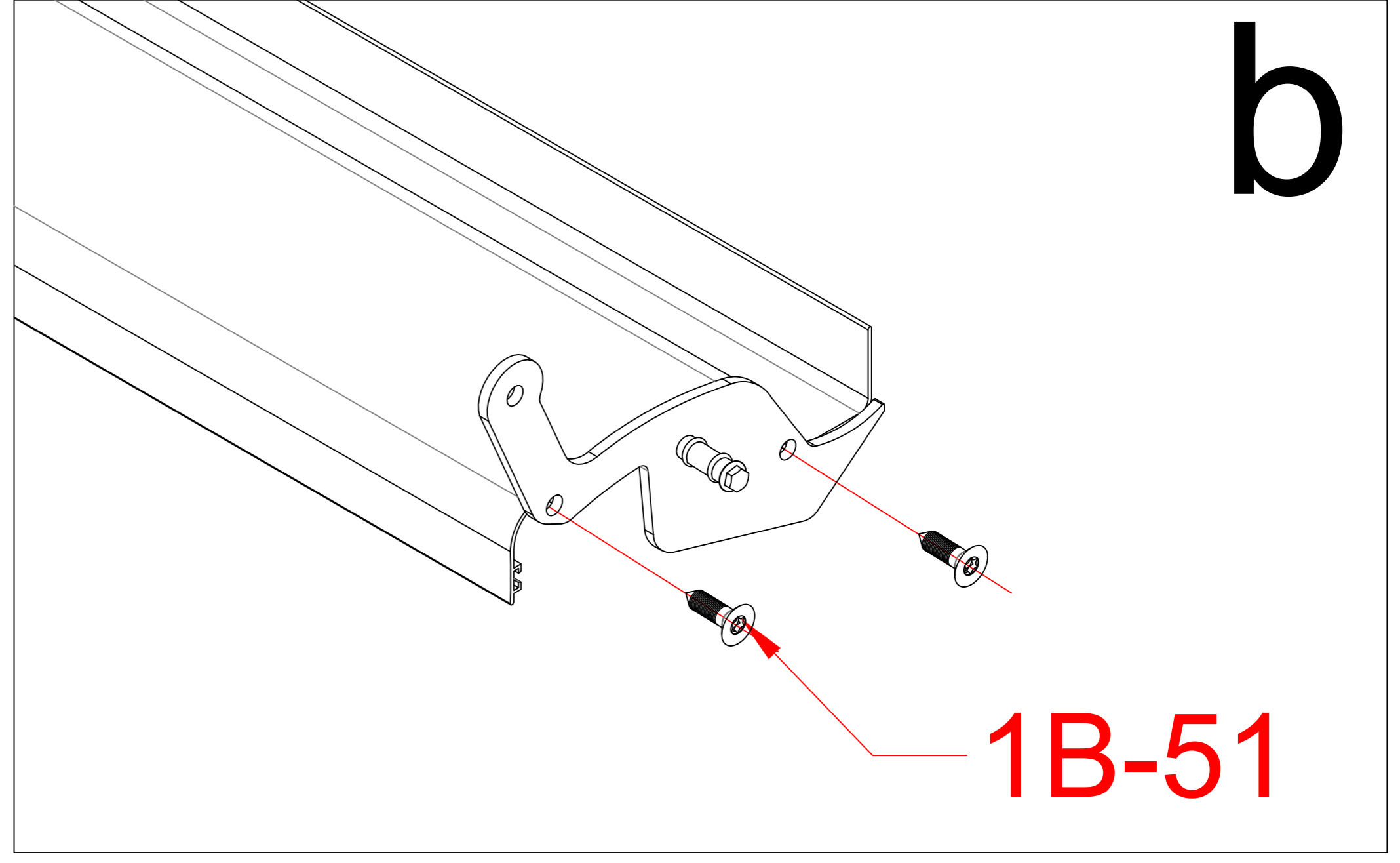
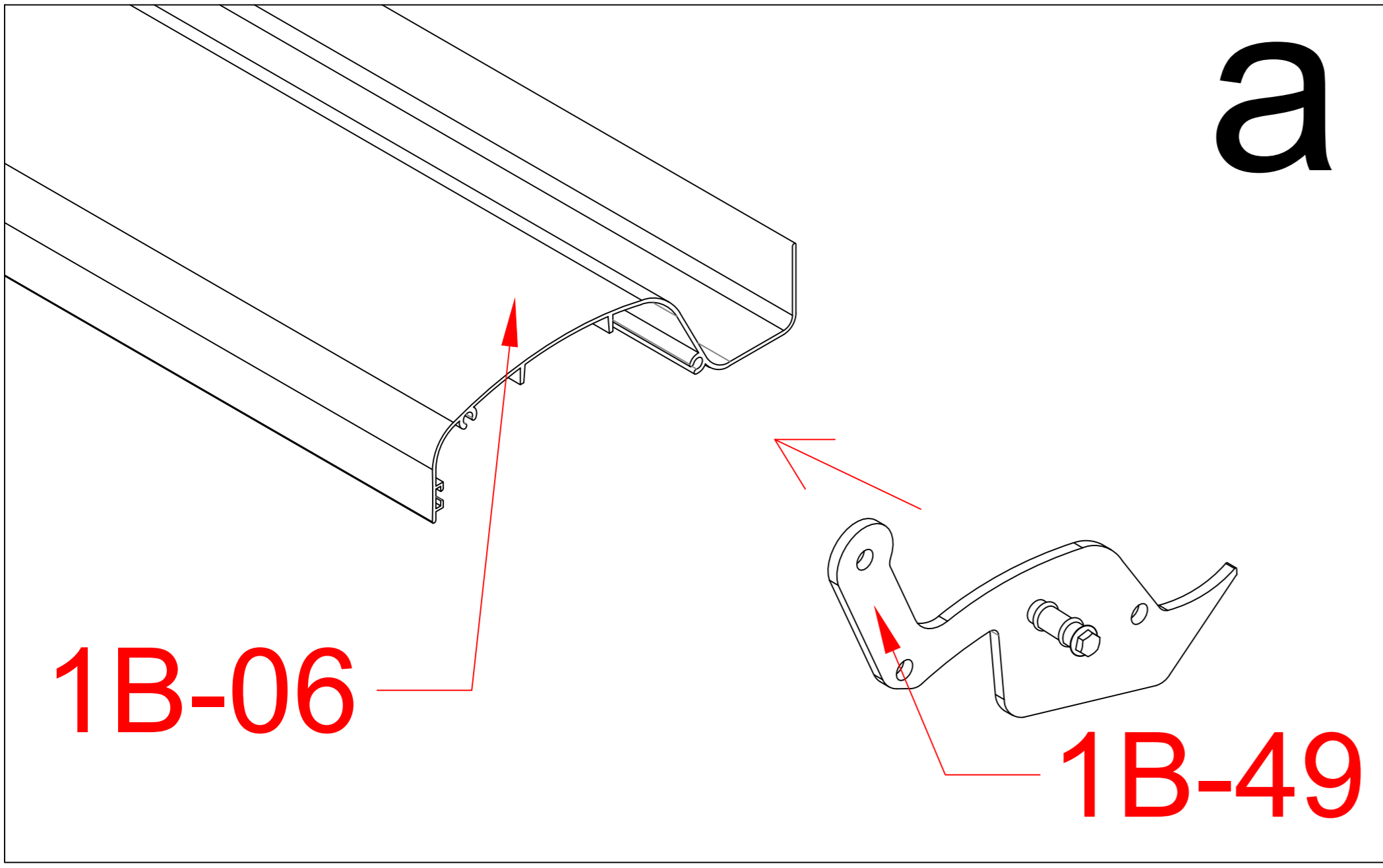
1B-24		1
1B-12		4



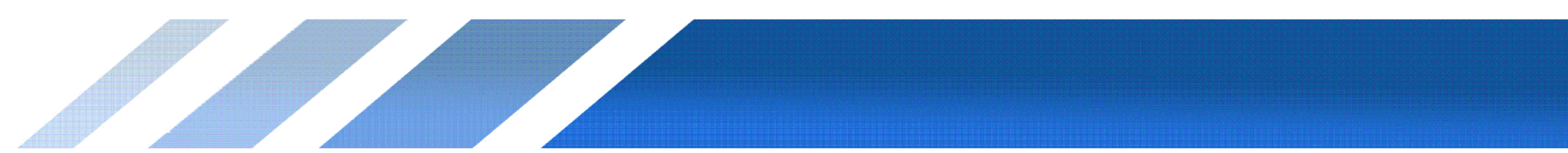


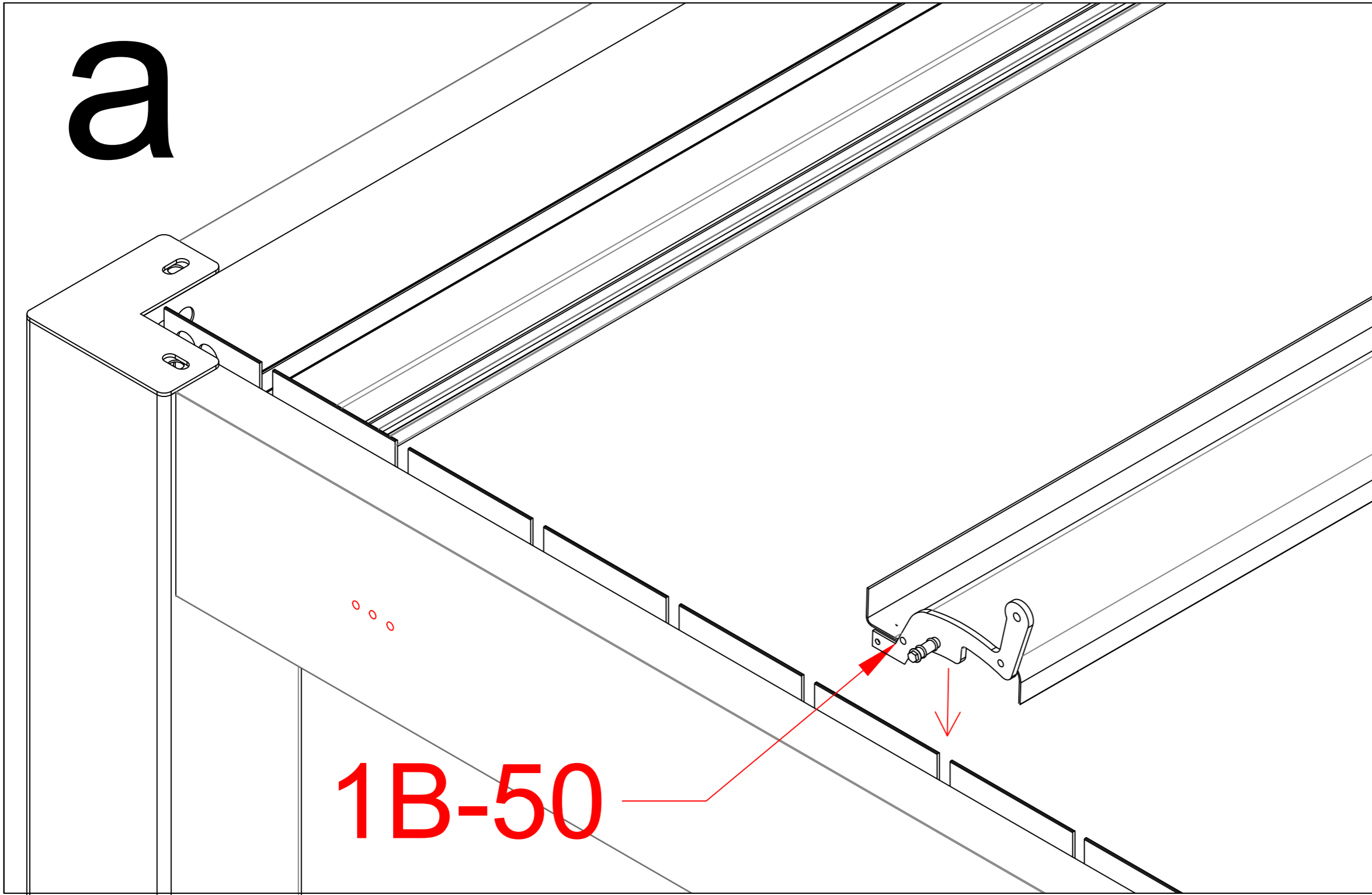
1B-64		1
1B-51	 M3.5*25	64
1B-06		32
1B-48		32



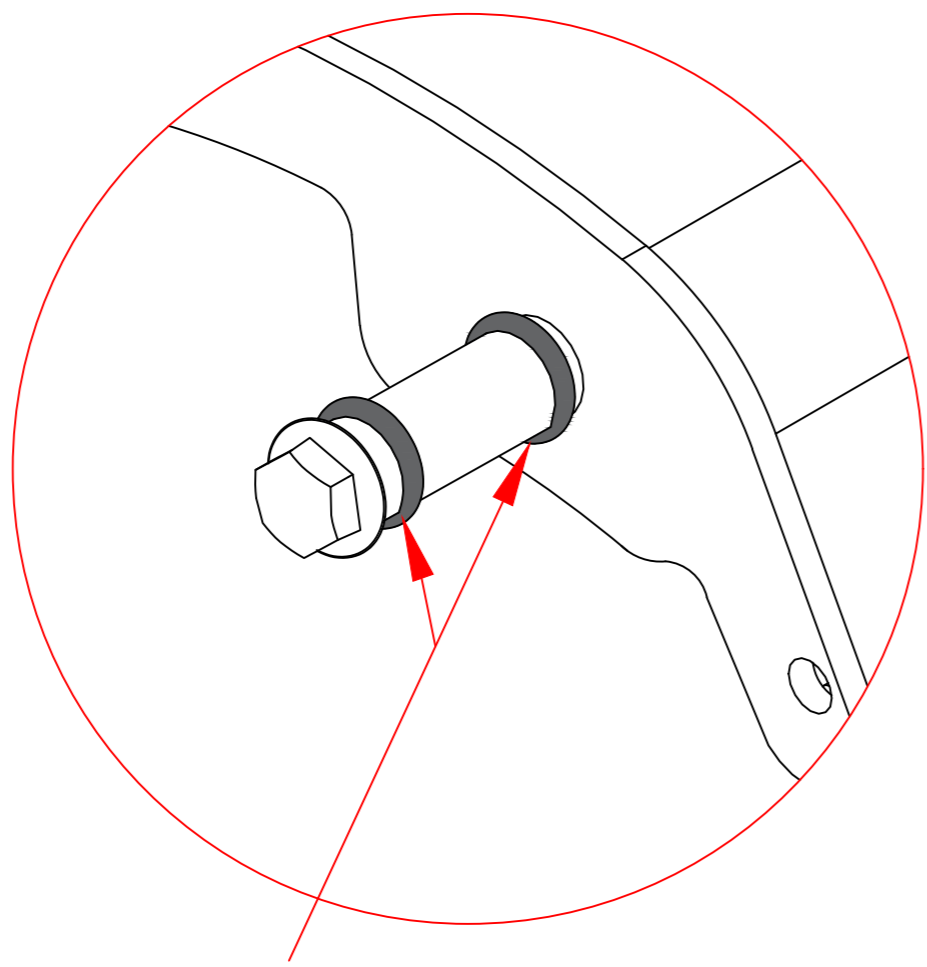


1B-64		1
1B-49		33
1B-50		1
1B-51	 M3.5*25	68

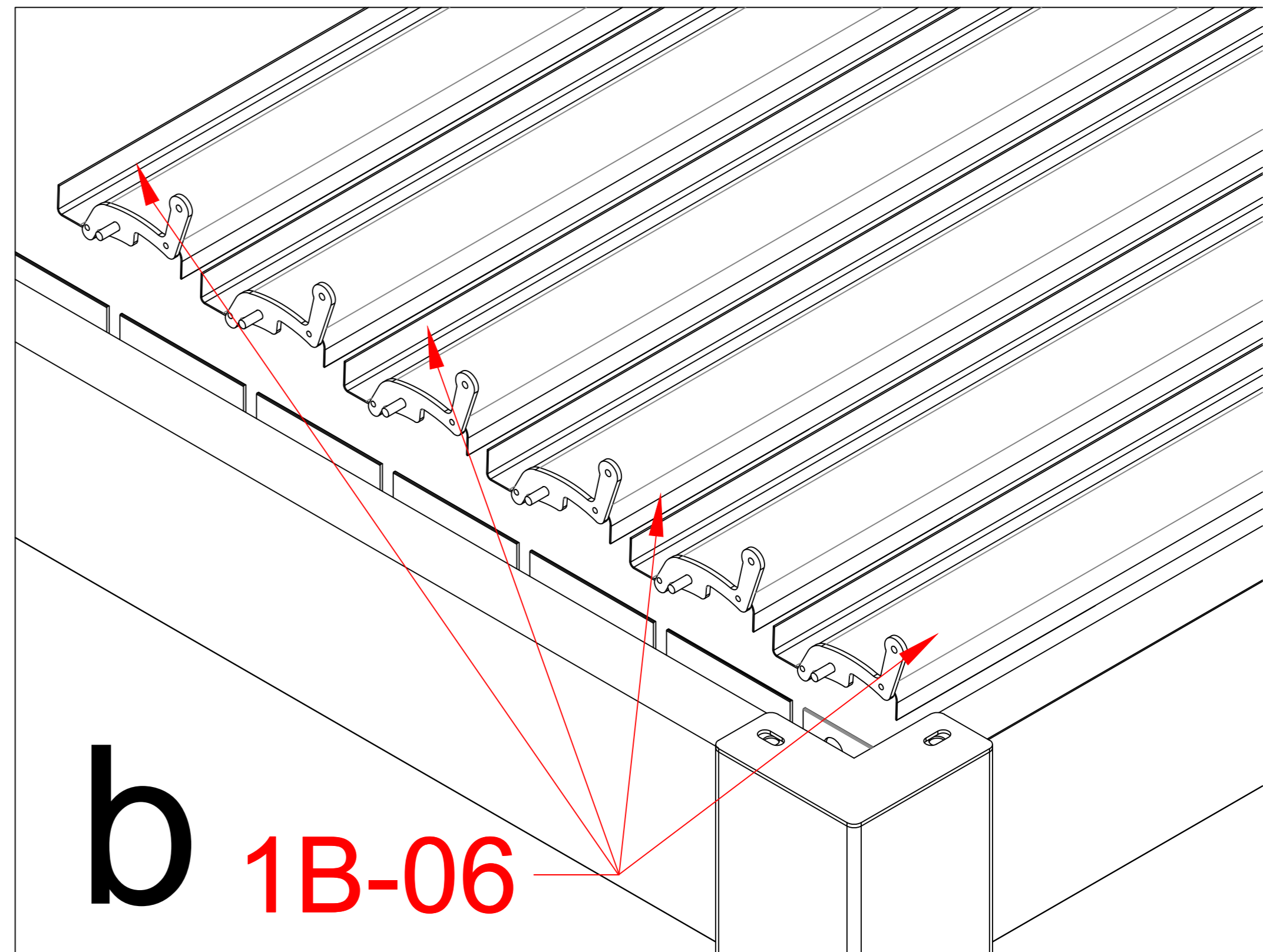




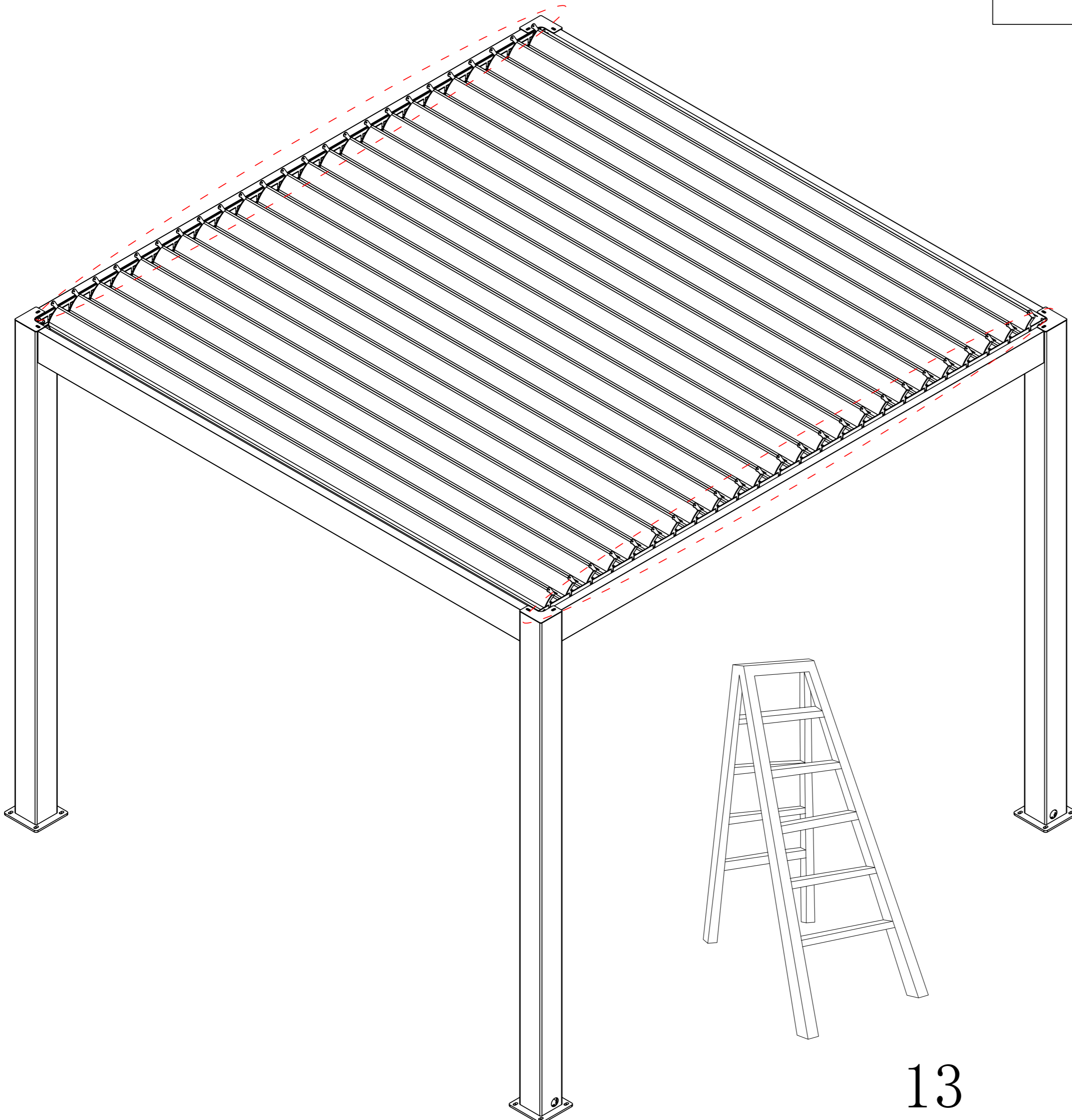
1B-50



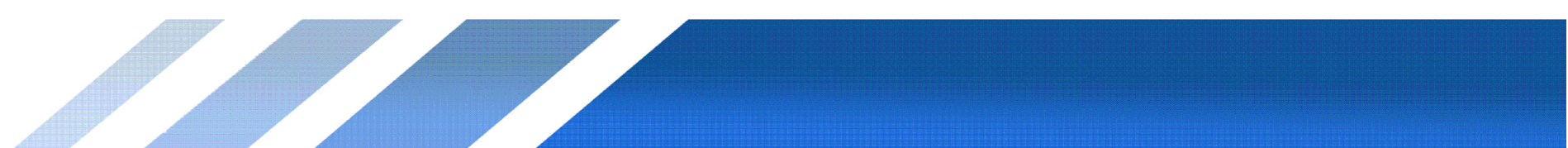
When installing louvers, first separate the two rubber gaskets and slide them to both ends of the circular shaft. Then, please ensure they are closed tightly before proceeding with the next steps of the installation.

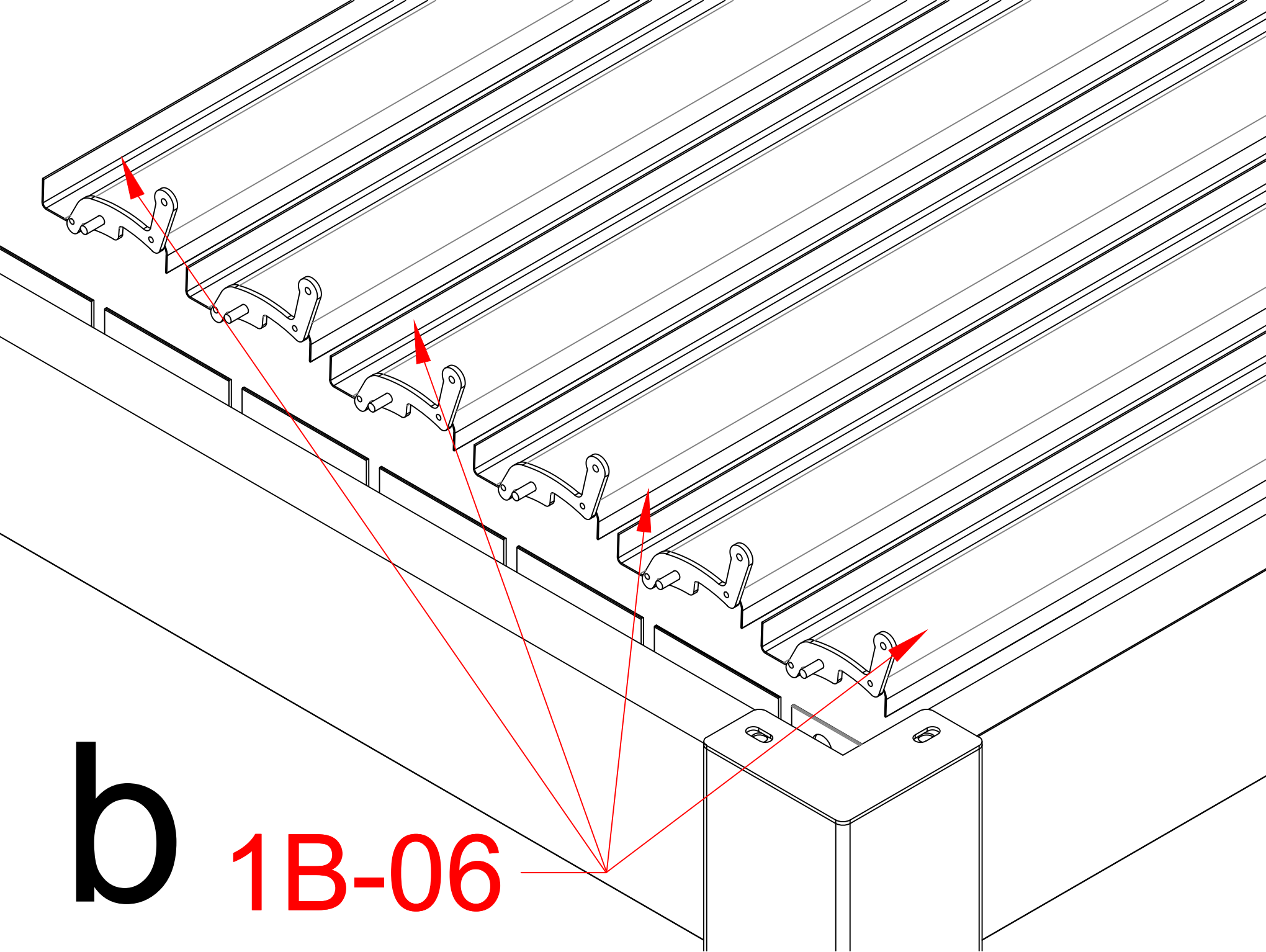


b 1B-06



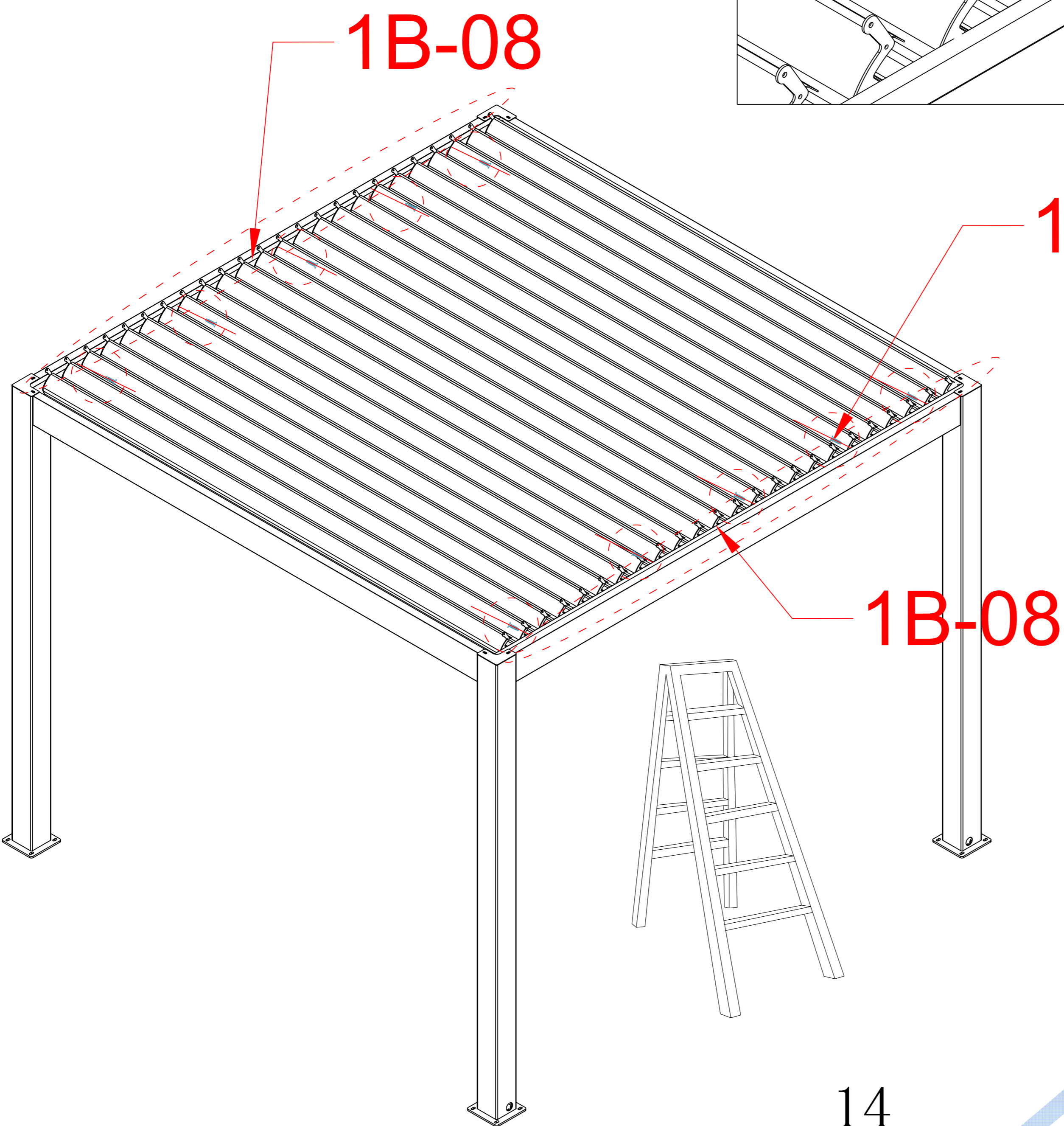
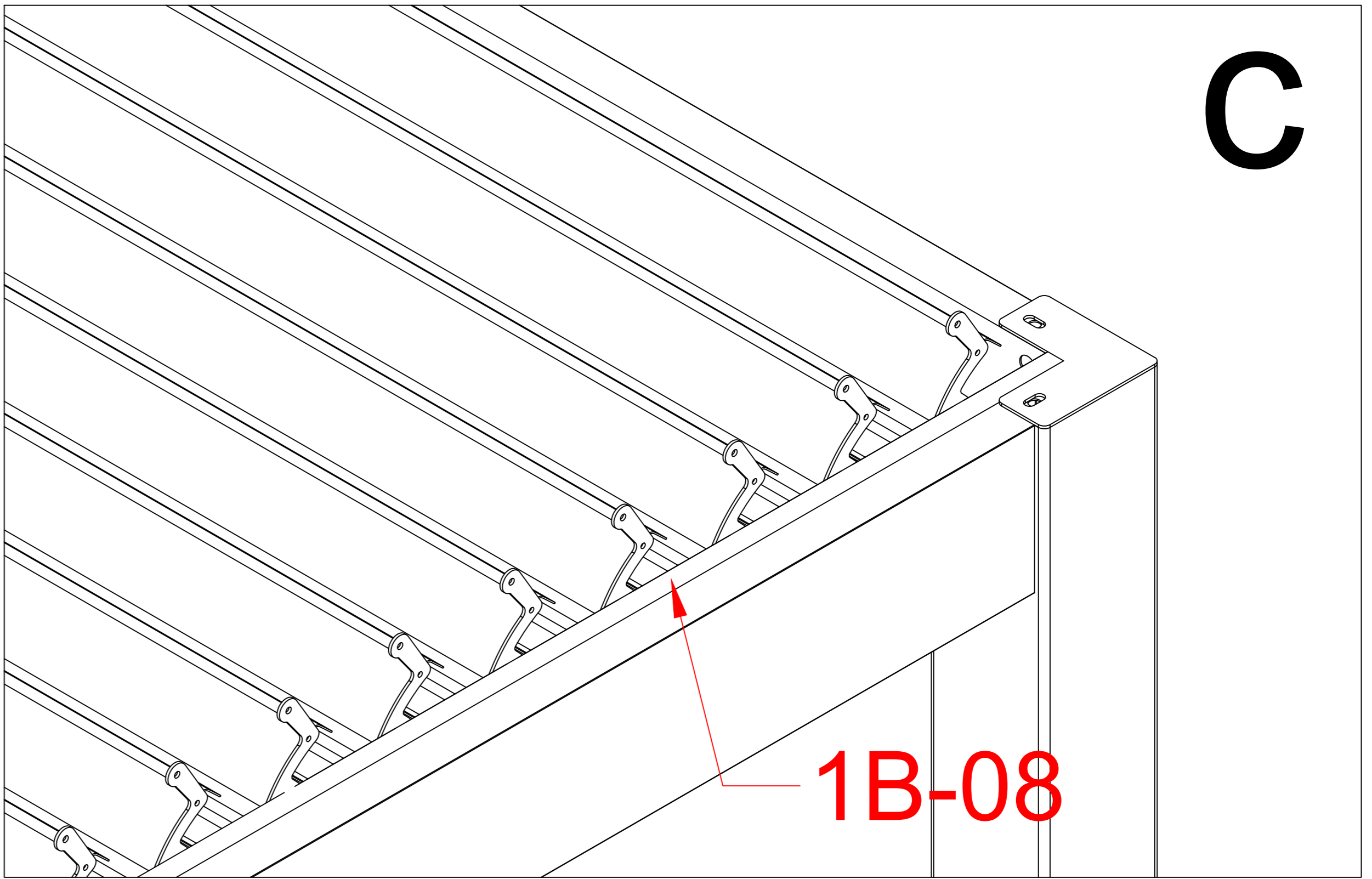
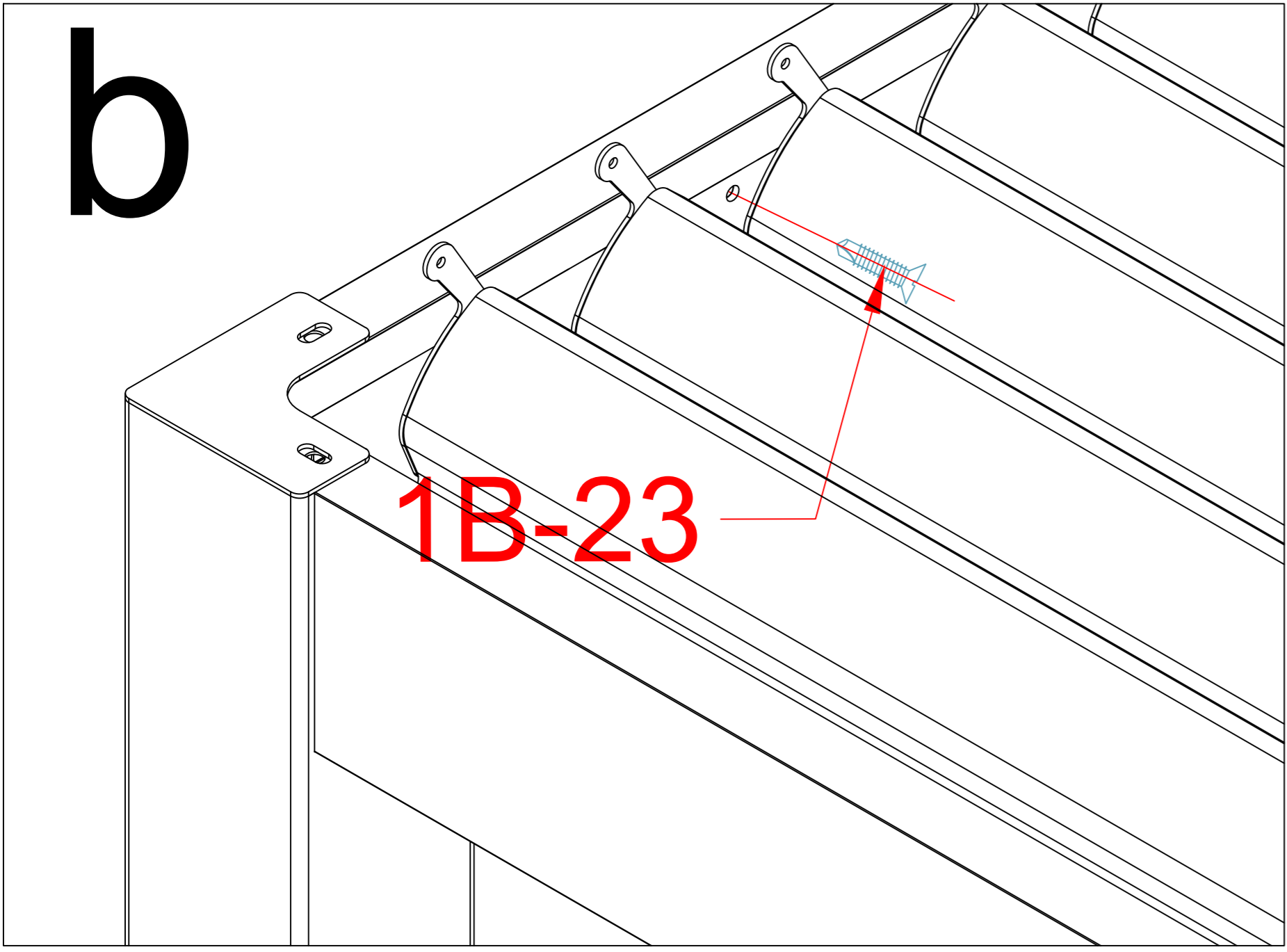
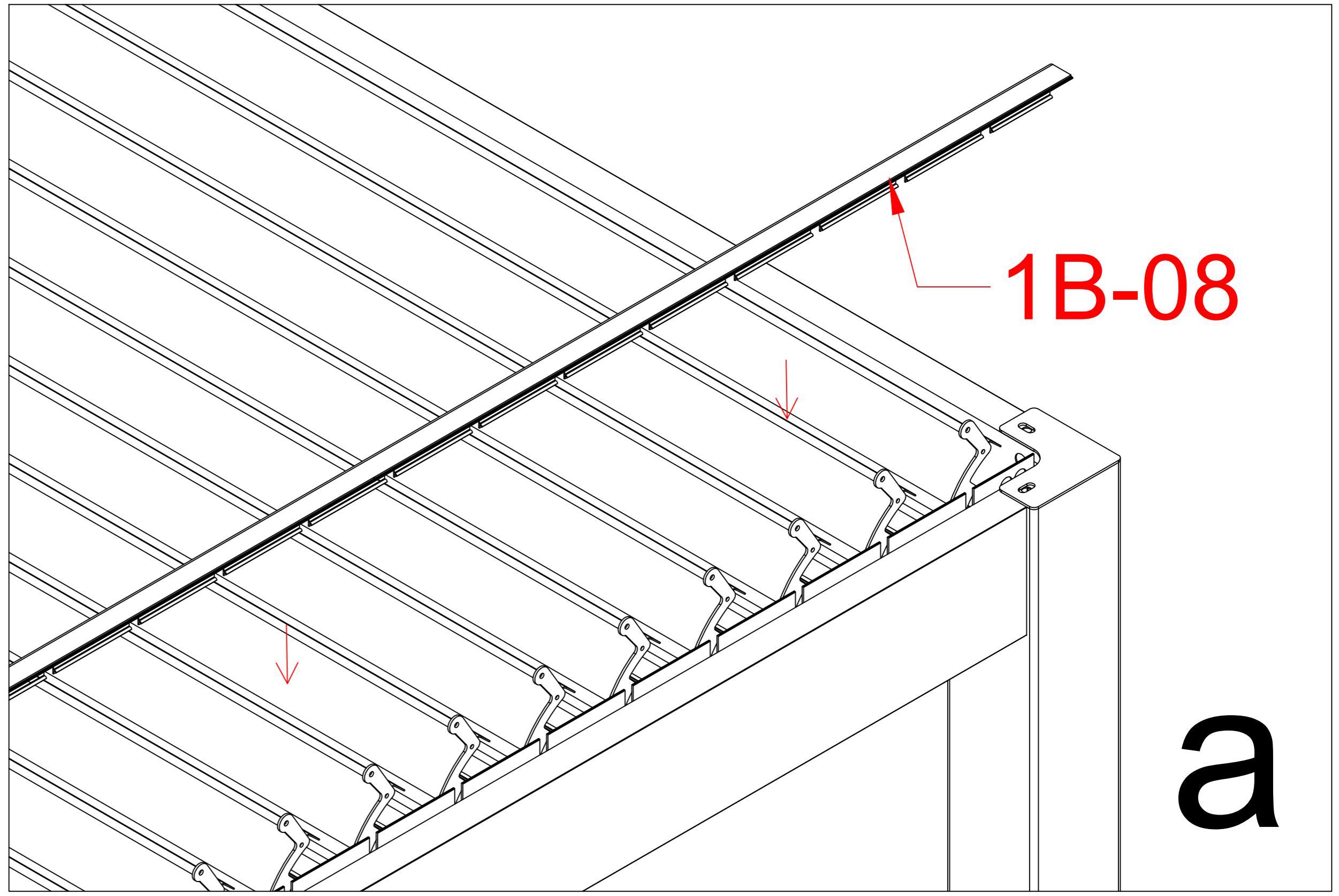
1B-06		33
-------	--	----



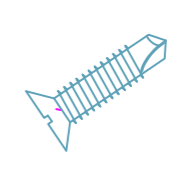
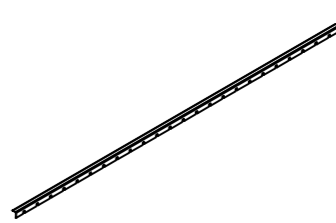


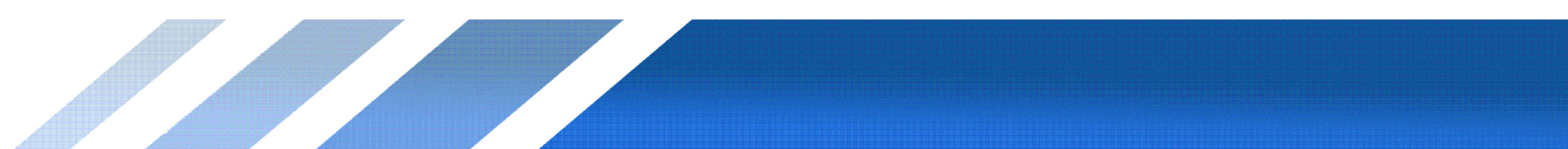
b

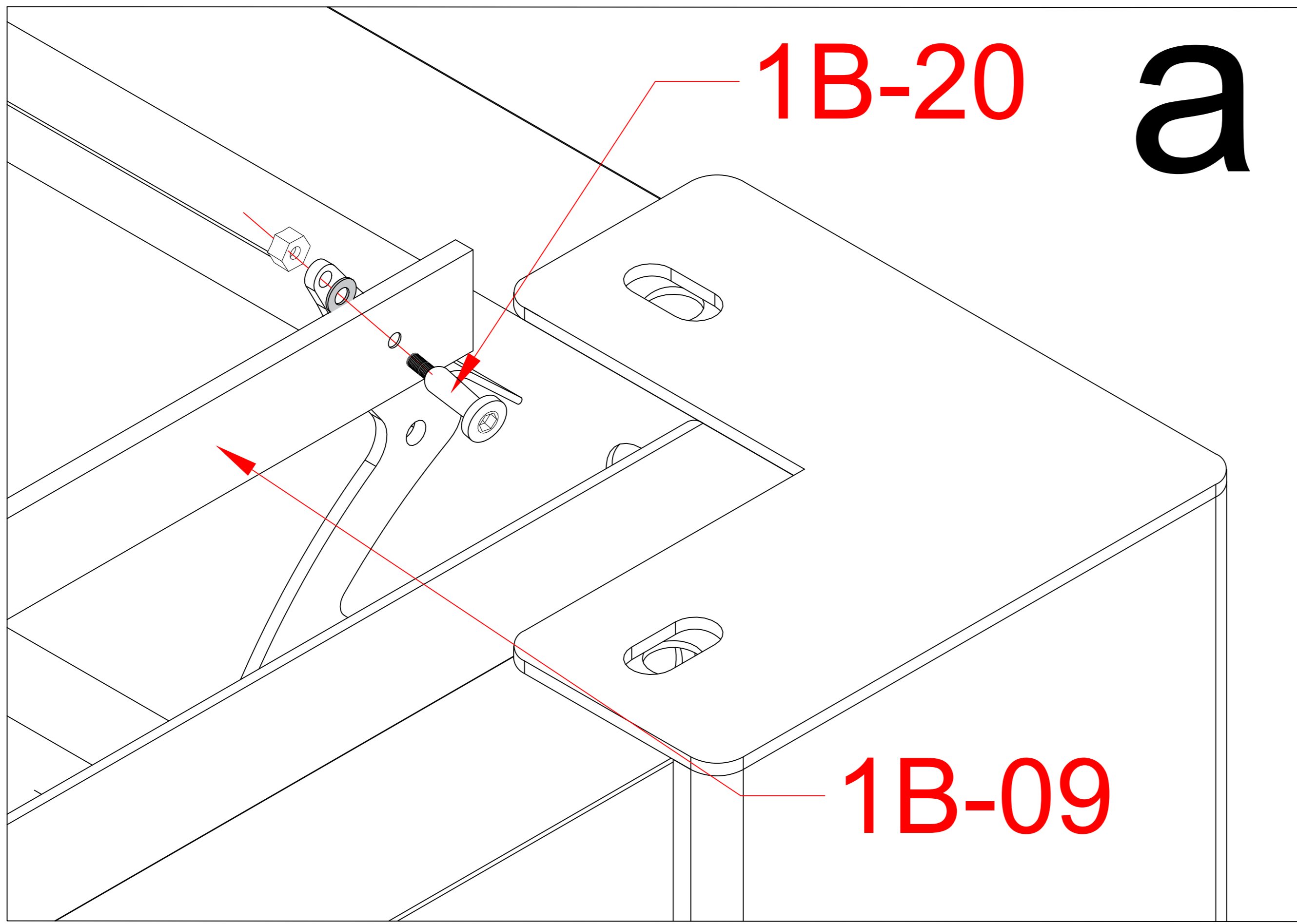
1B-06



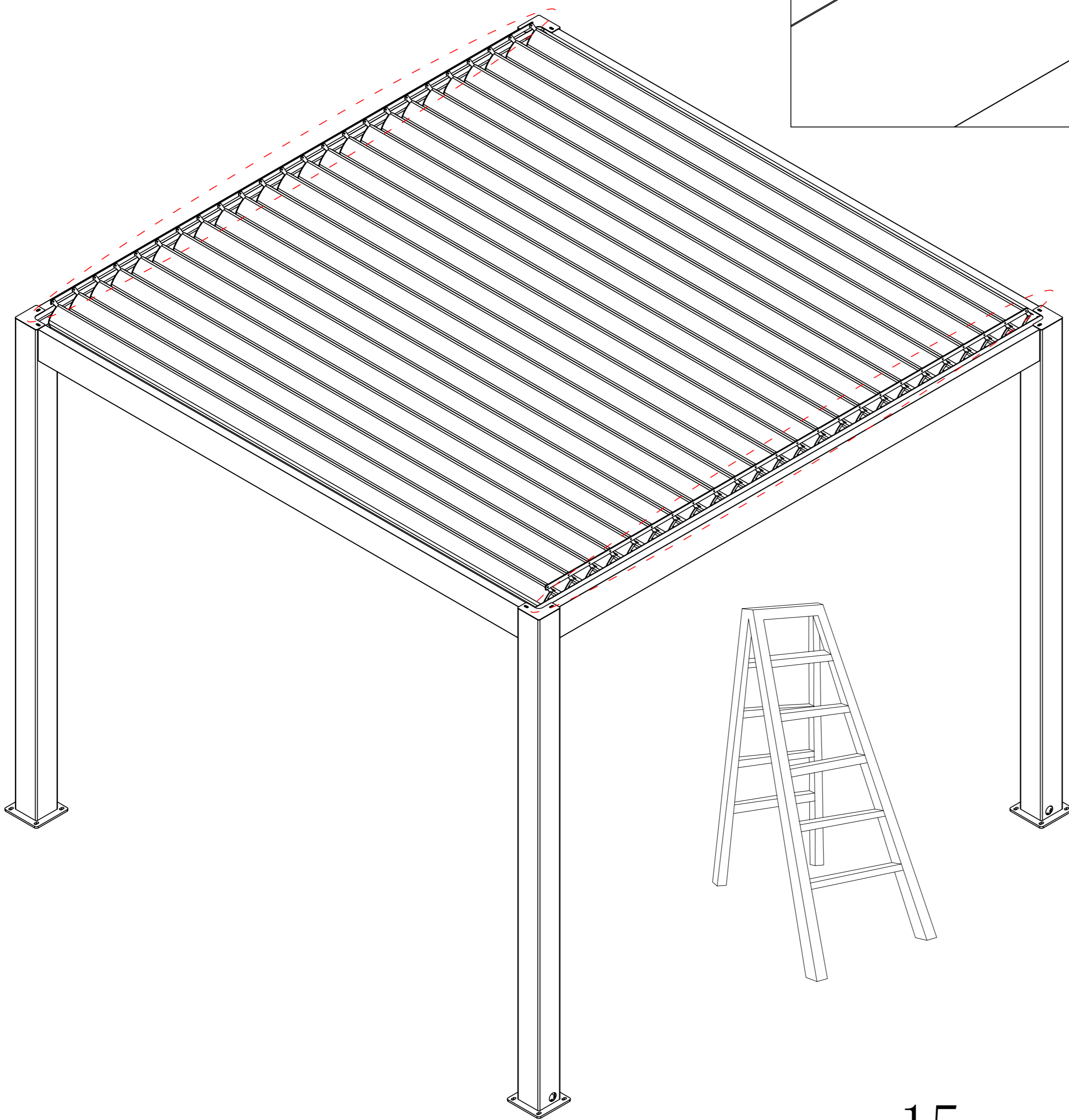
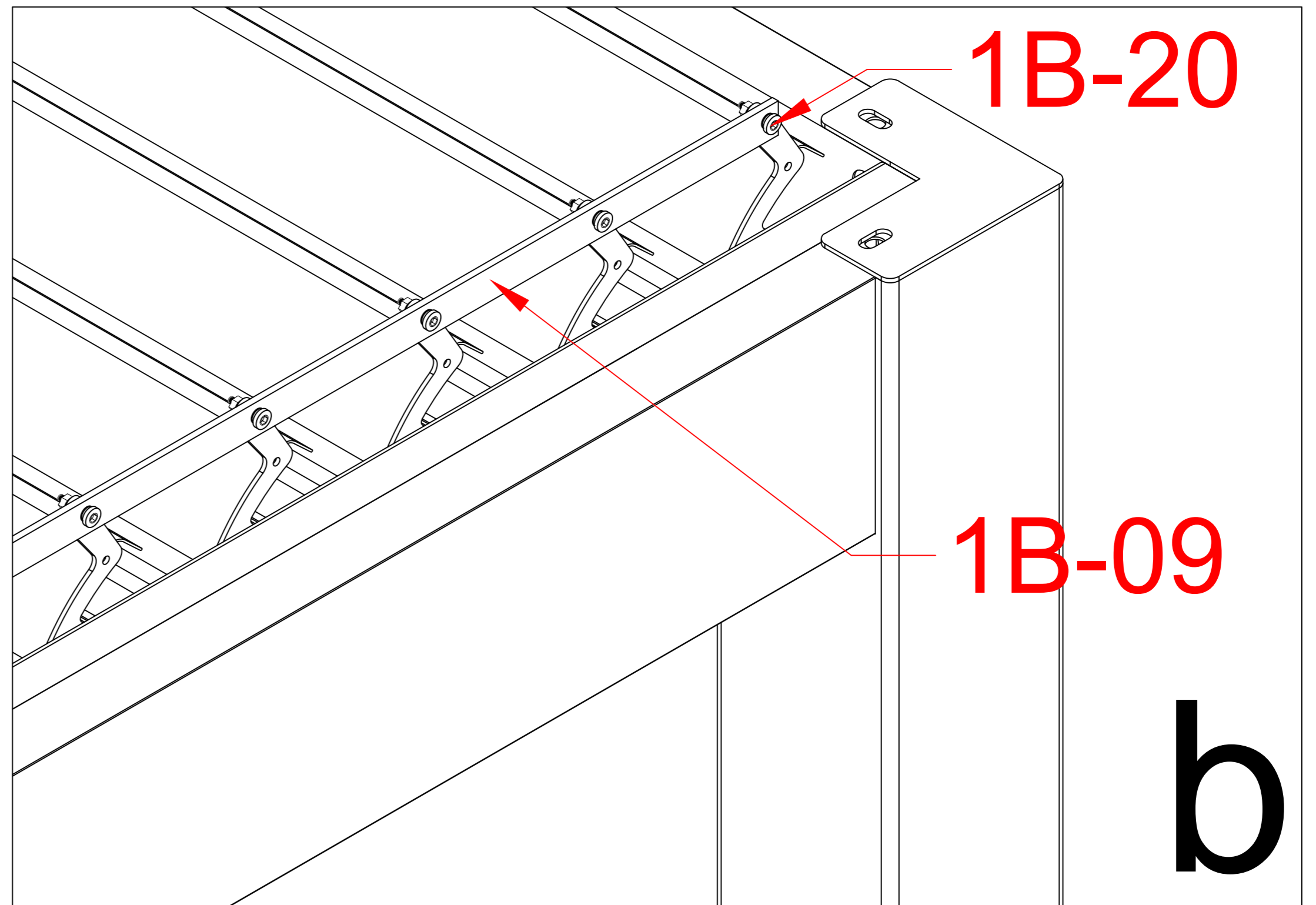
14 Screws: 7pcs Per Strip

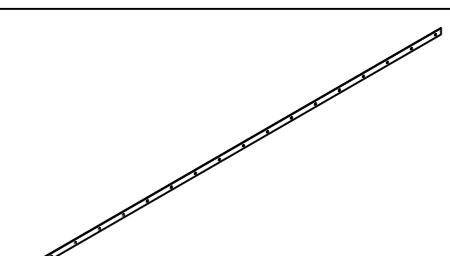
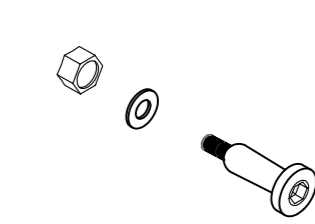
1B-23		14
1B-08		2

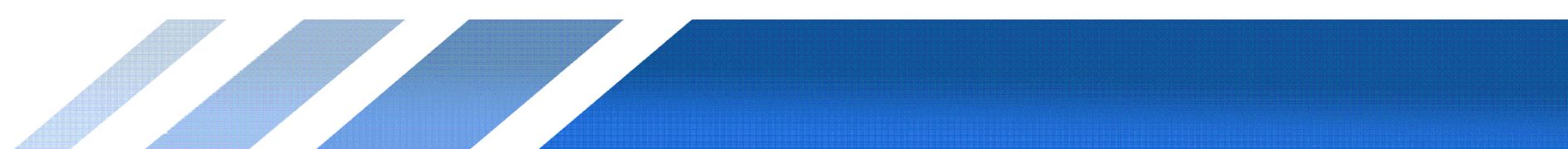


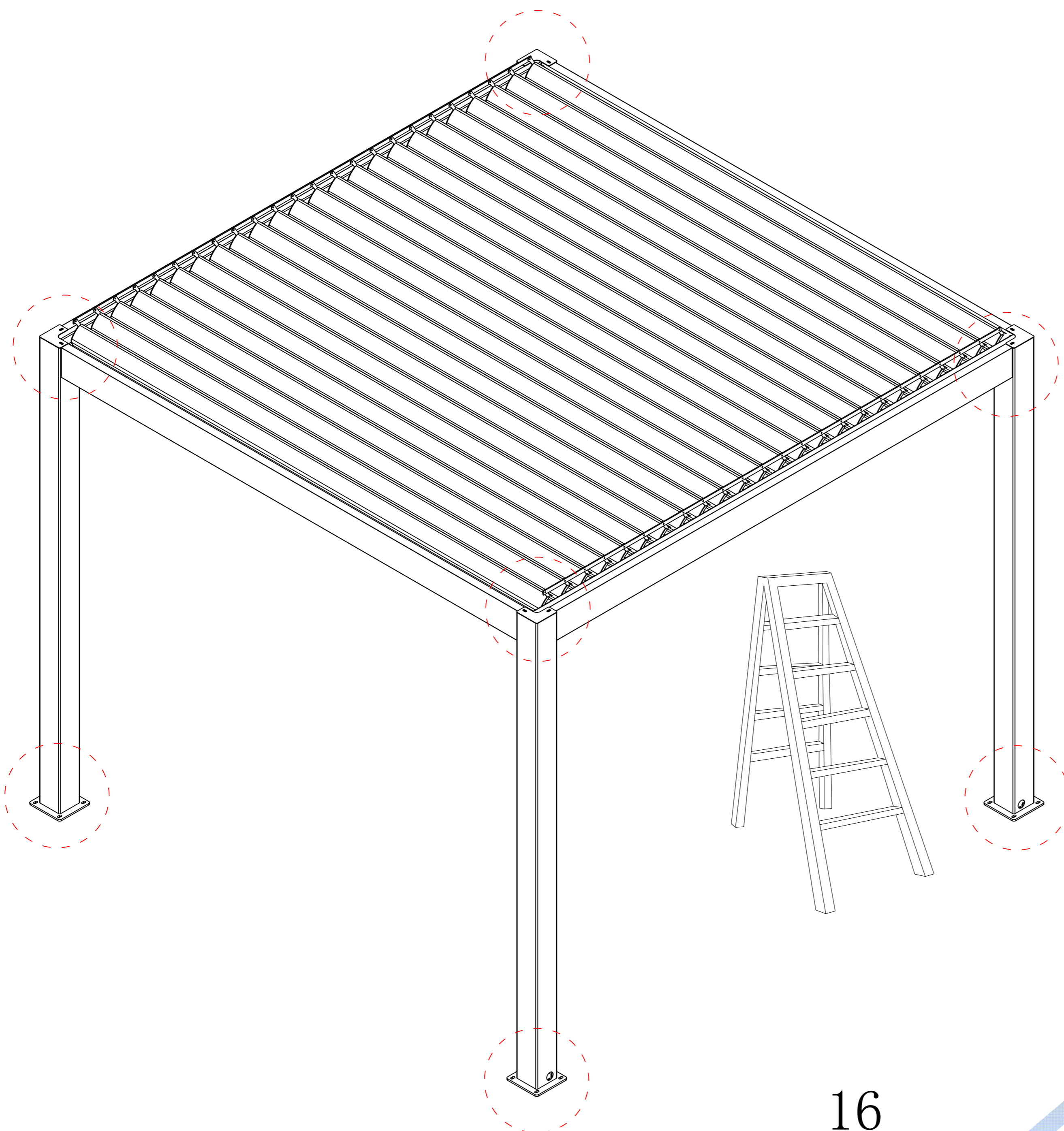
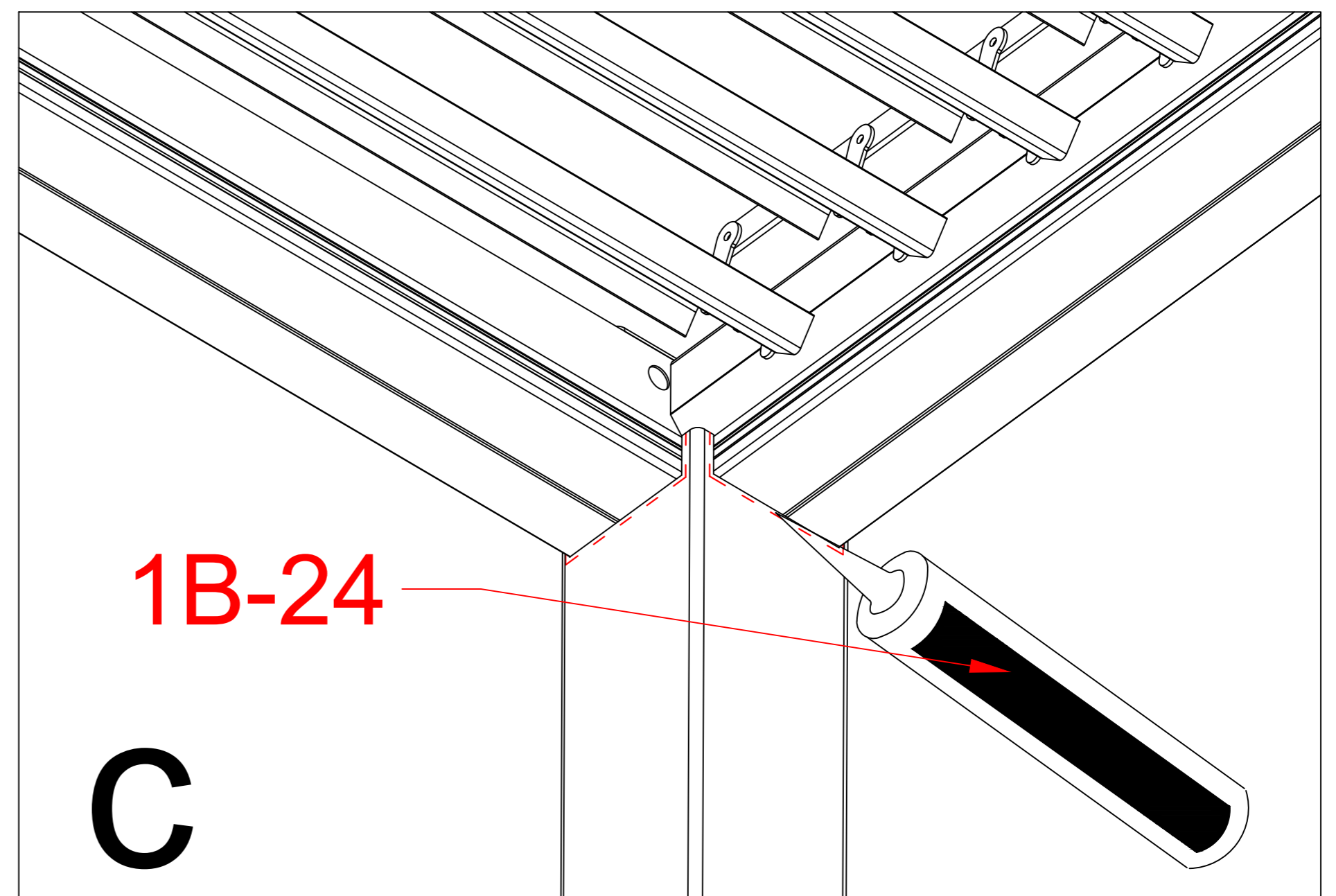
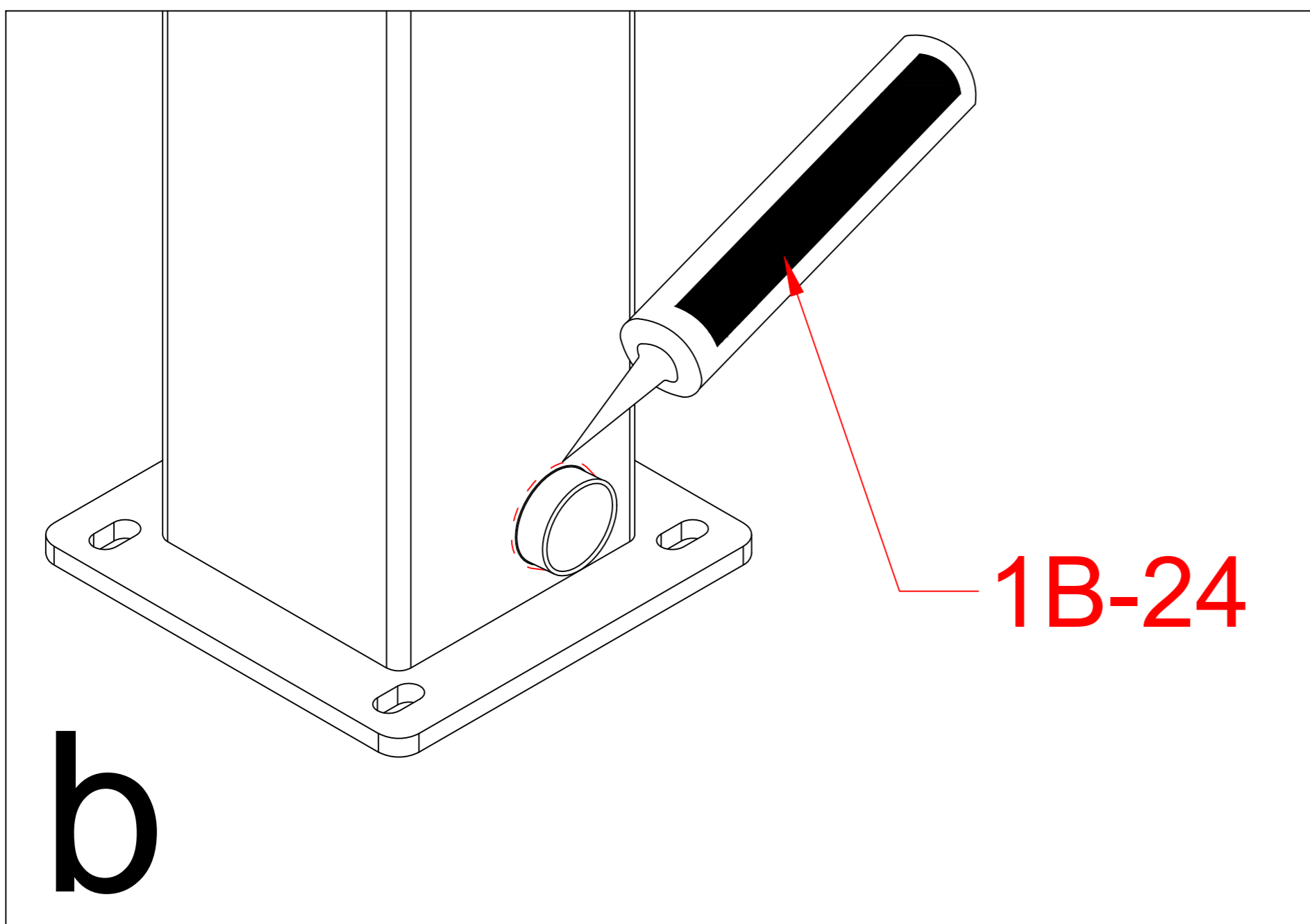
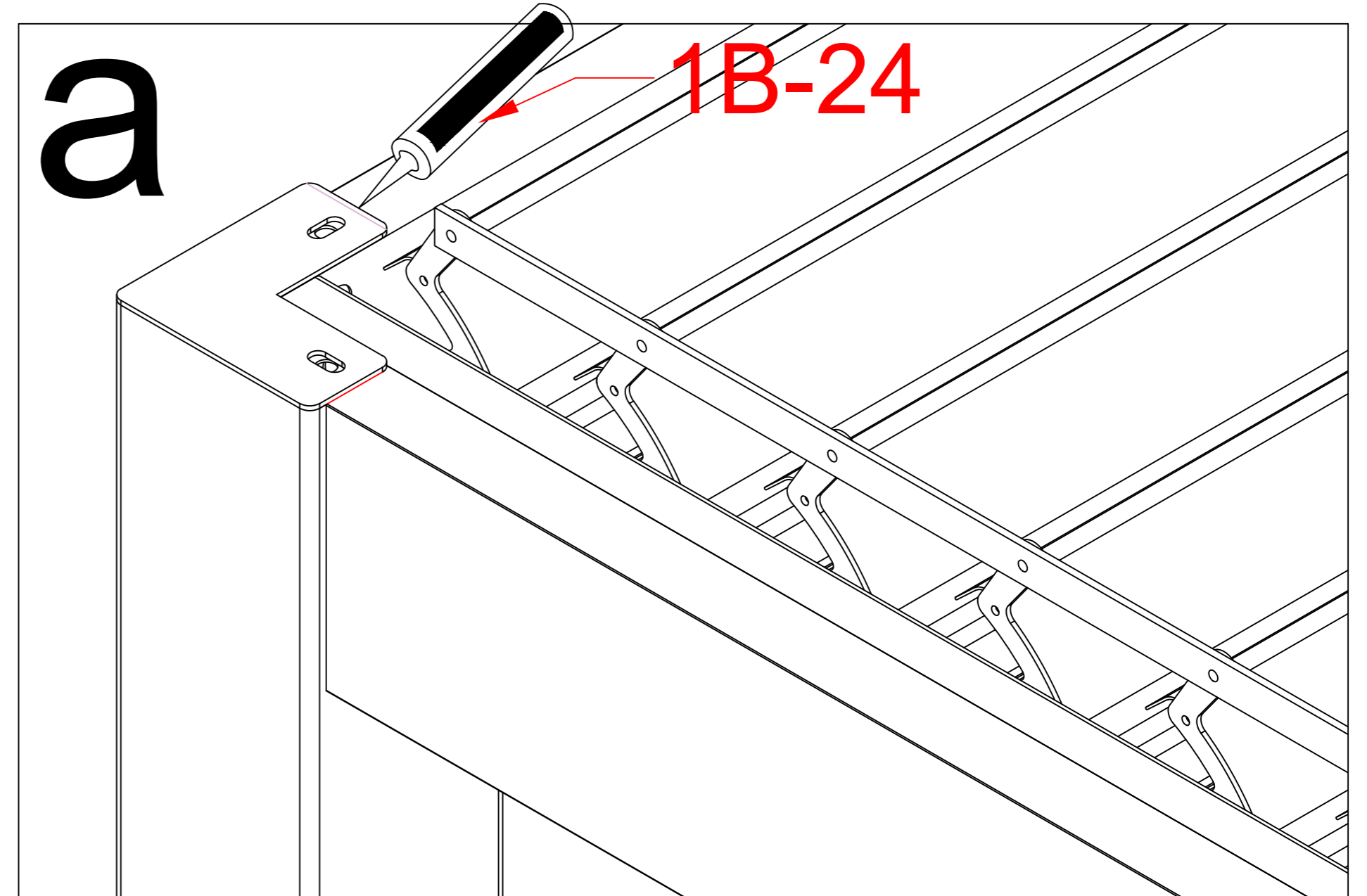


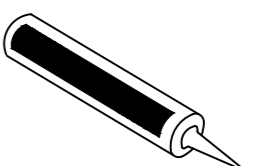
warning:
Bolts must be tightened



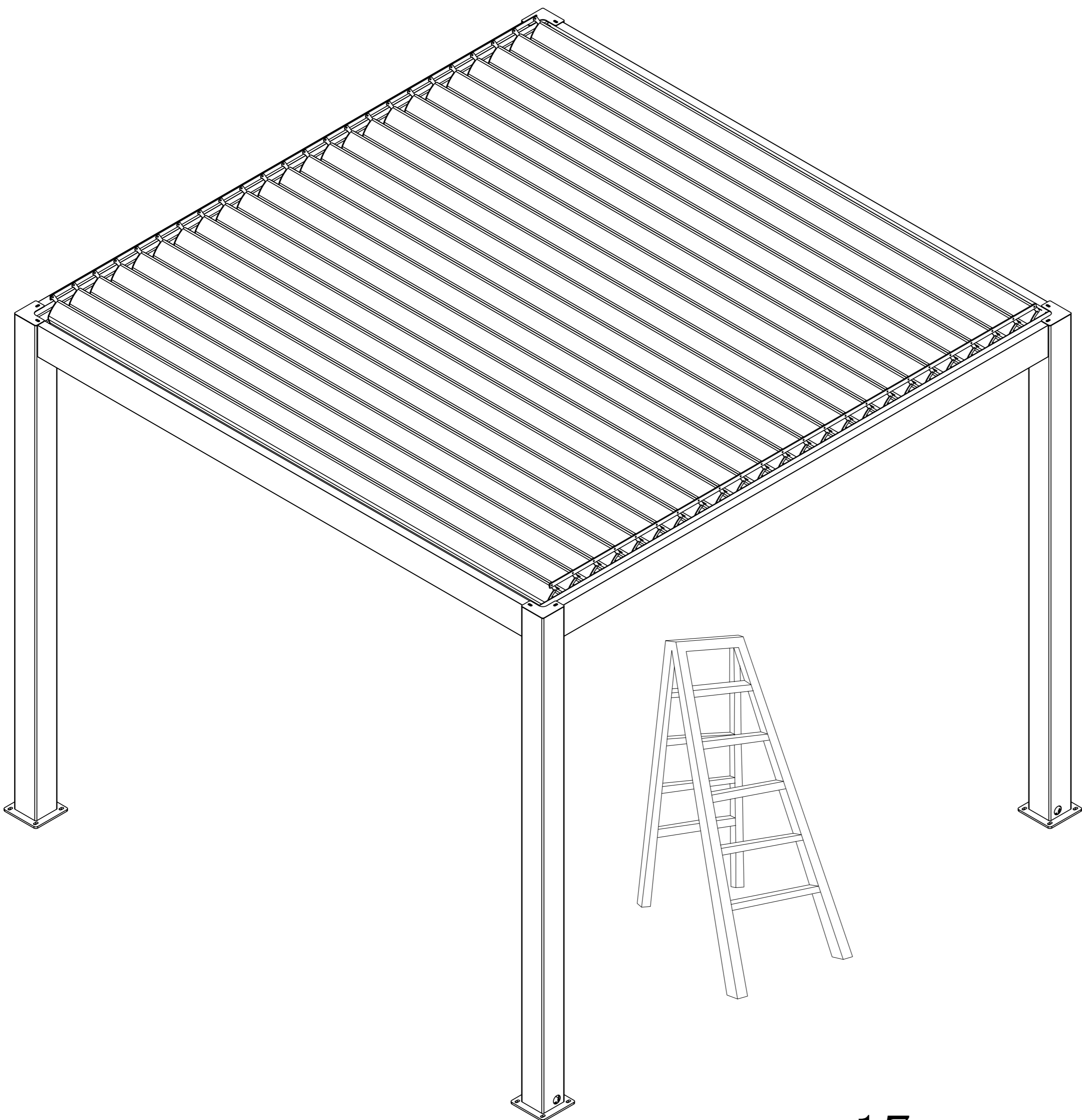
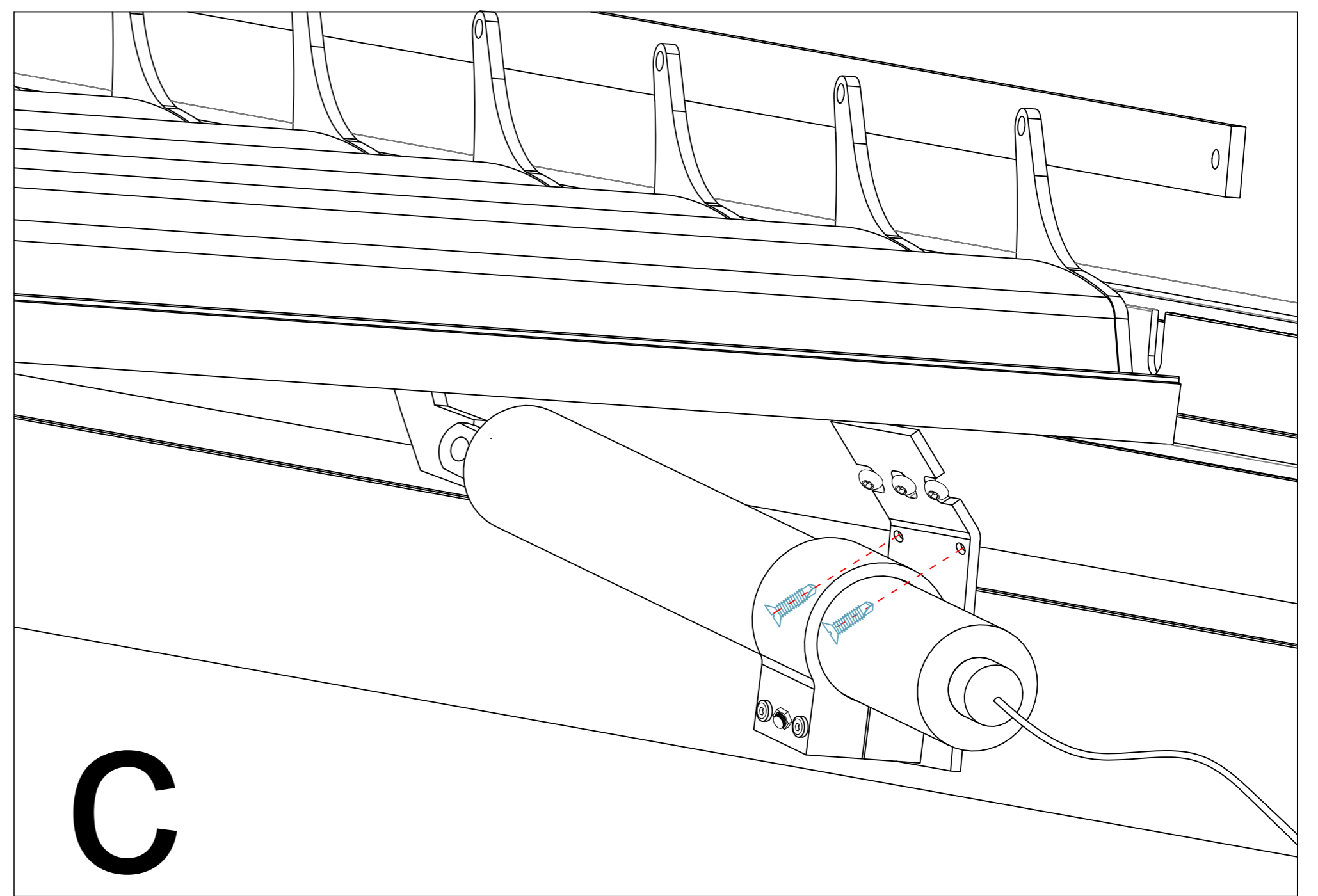
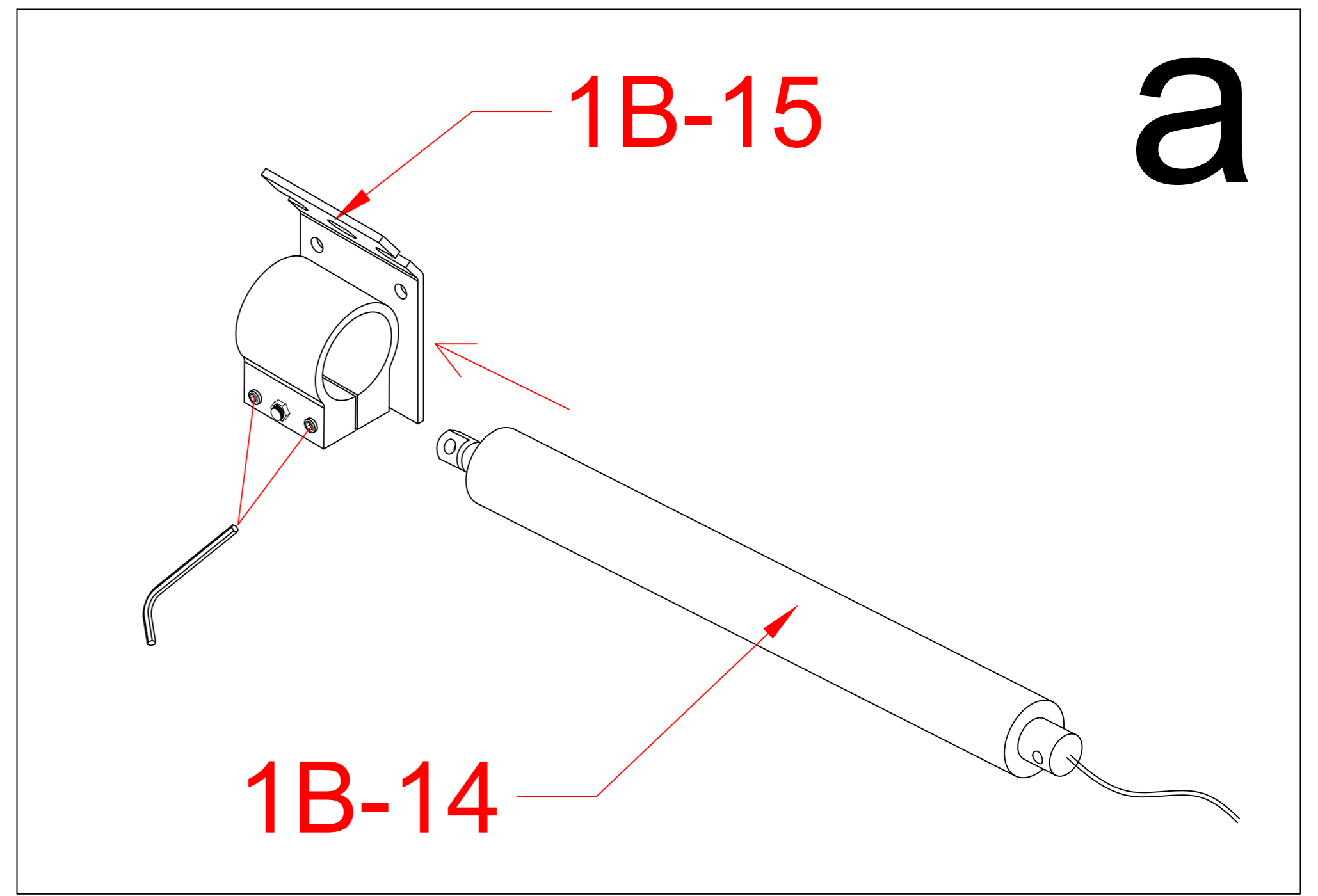
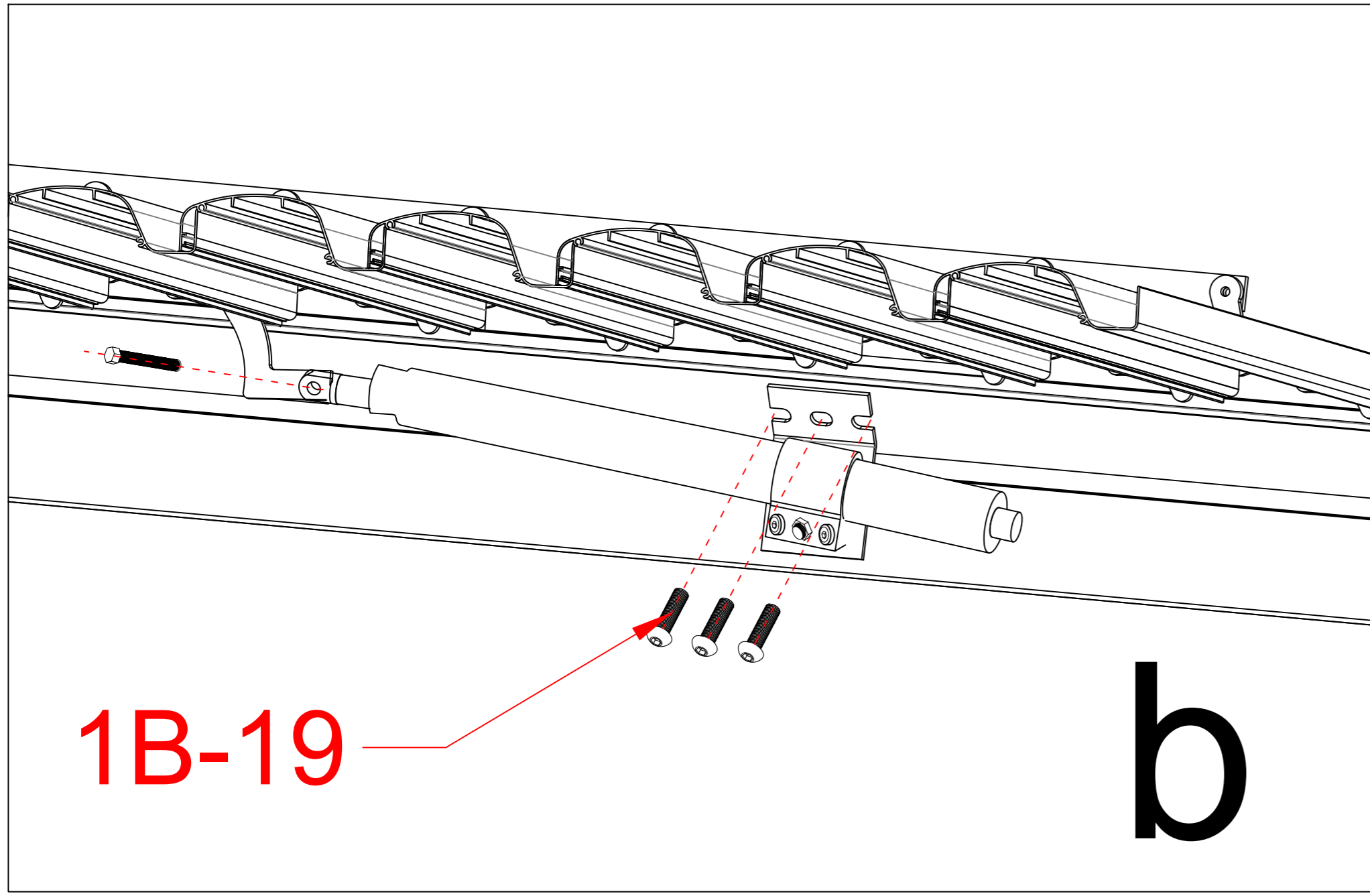
1B-09		2
1B-20		66



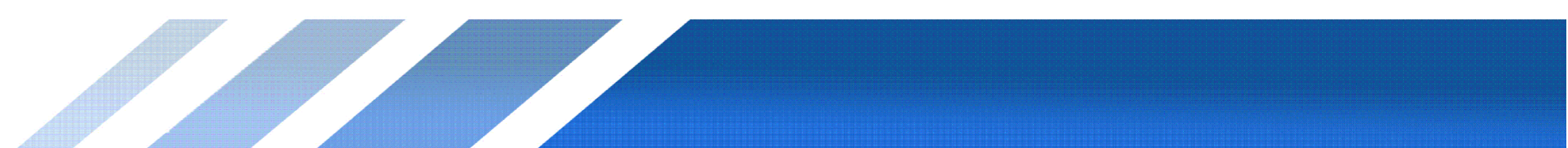


1B-24		1
-------	---	---



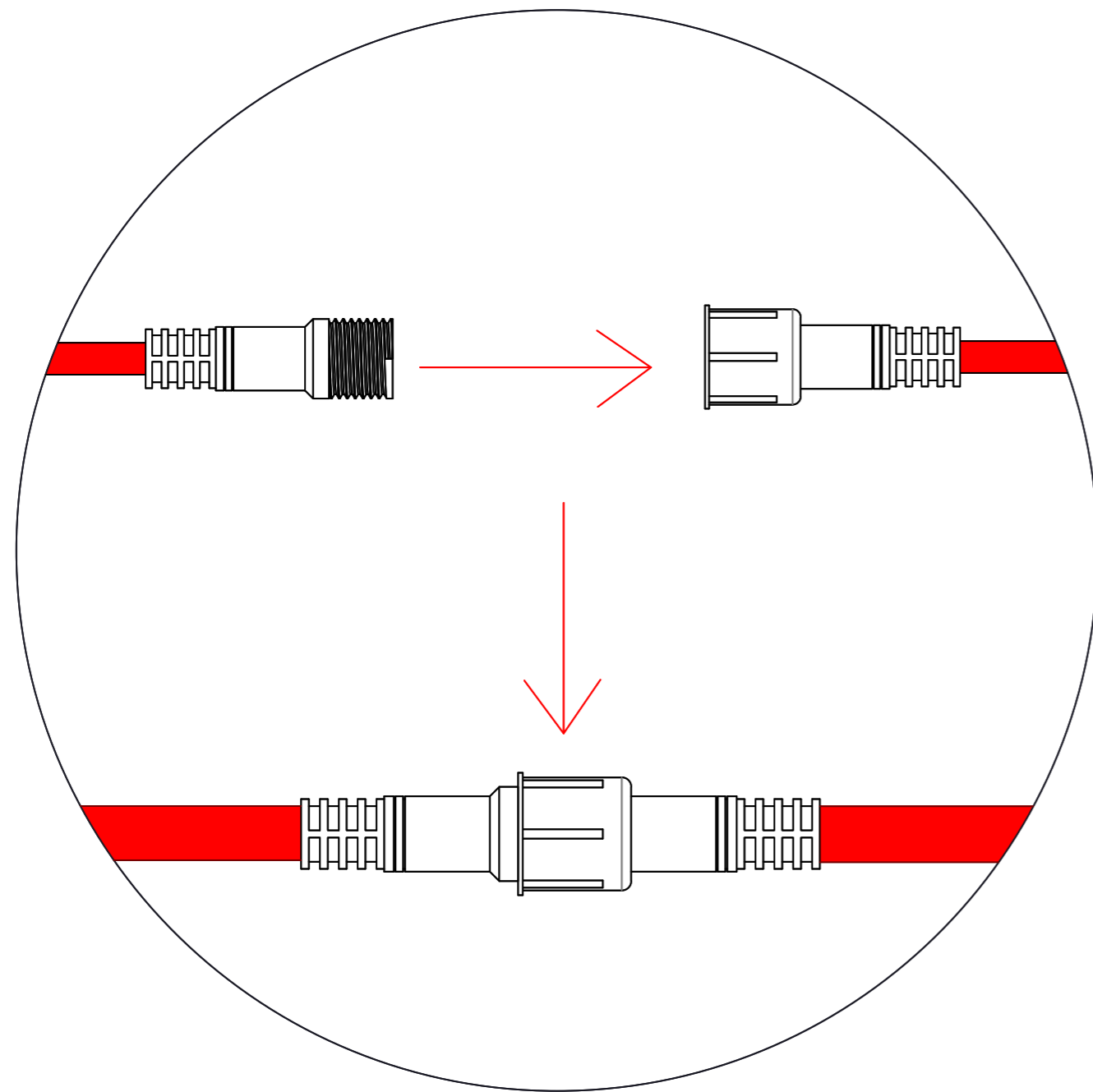
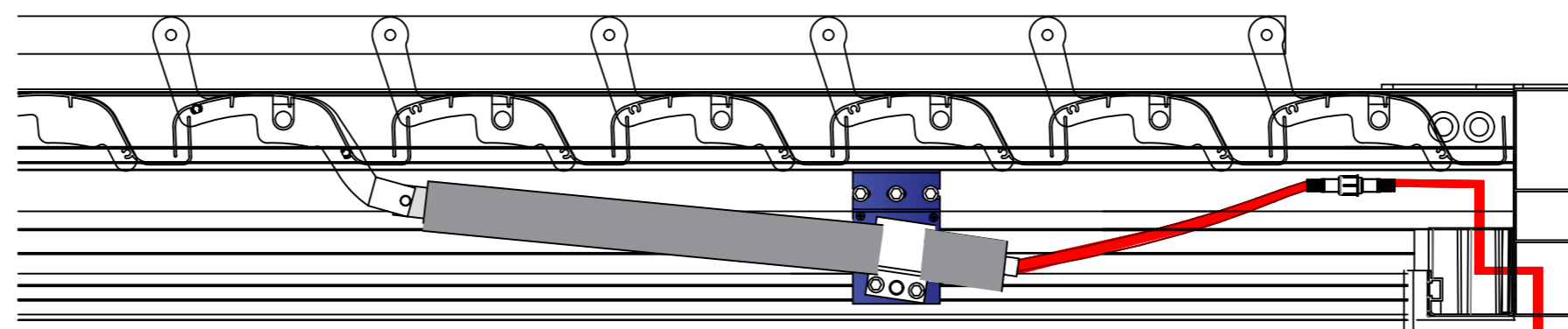


1B-19		3
1B-14		1
1B-15		1





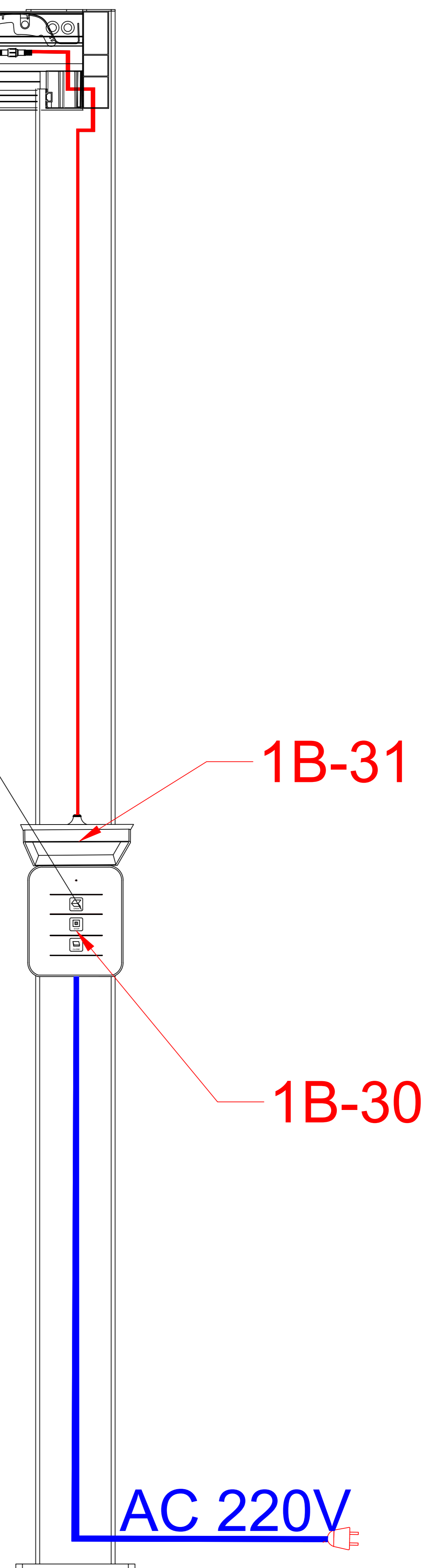
The control box is on the post



Motor controller

Wires Diagram

Power in: 220V
Power Out To
Motor: DC24V

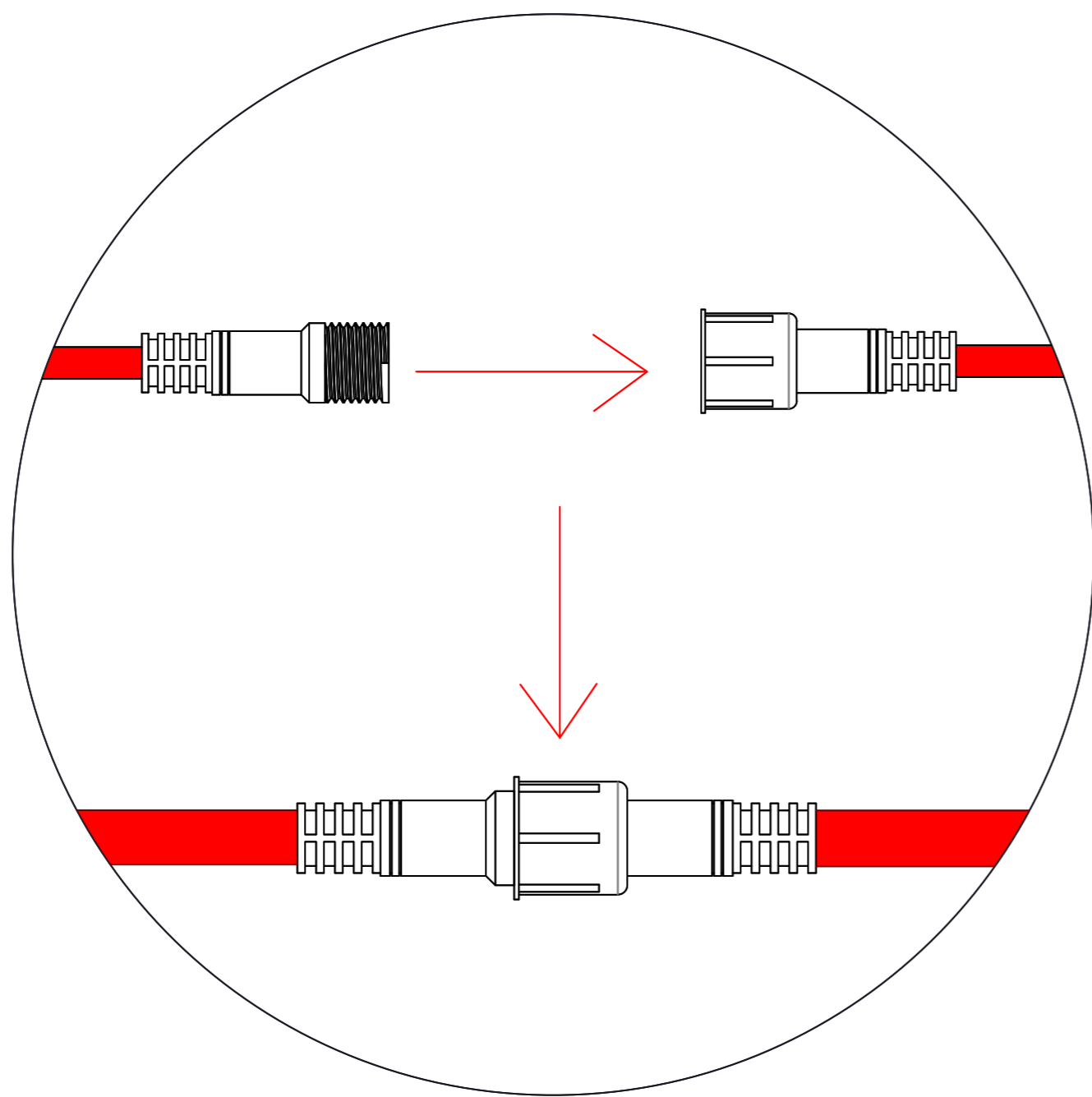
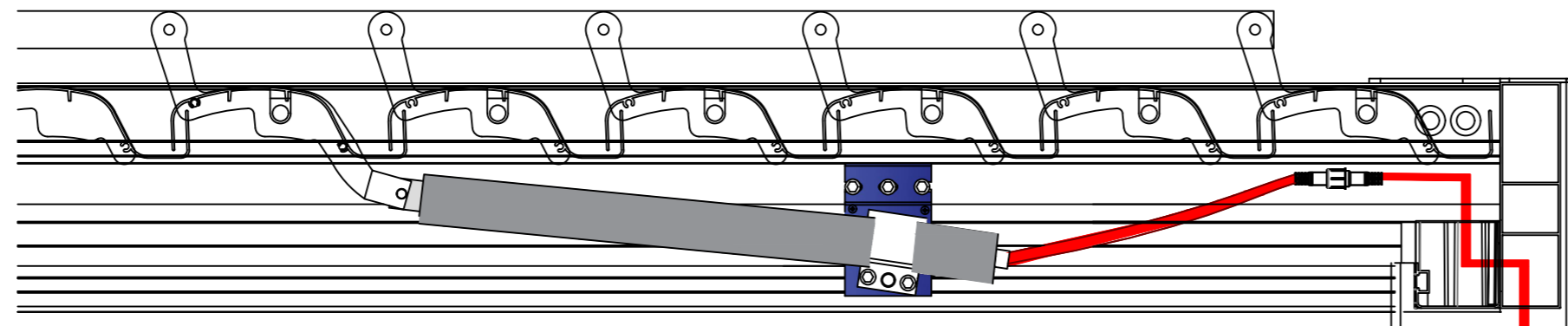


1B-30		1
1B-31		1





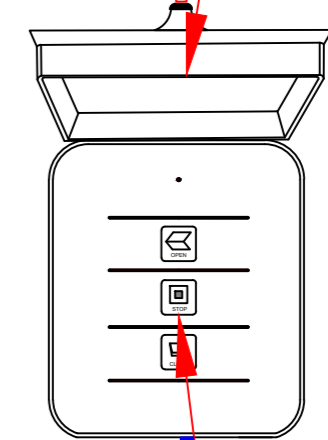
The control box is not on the post



Wires Diagram

Power in: 220V
Power Out To
Motor: DC24V

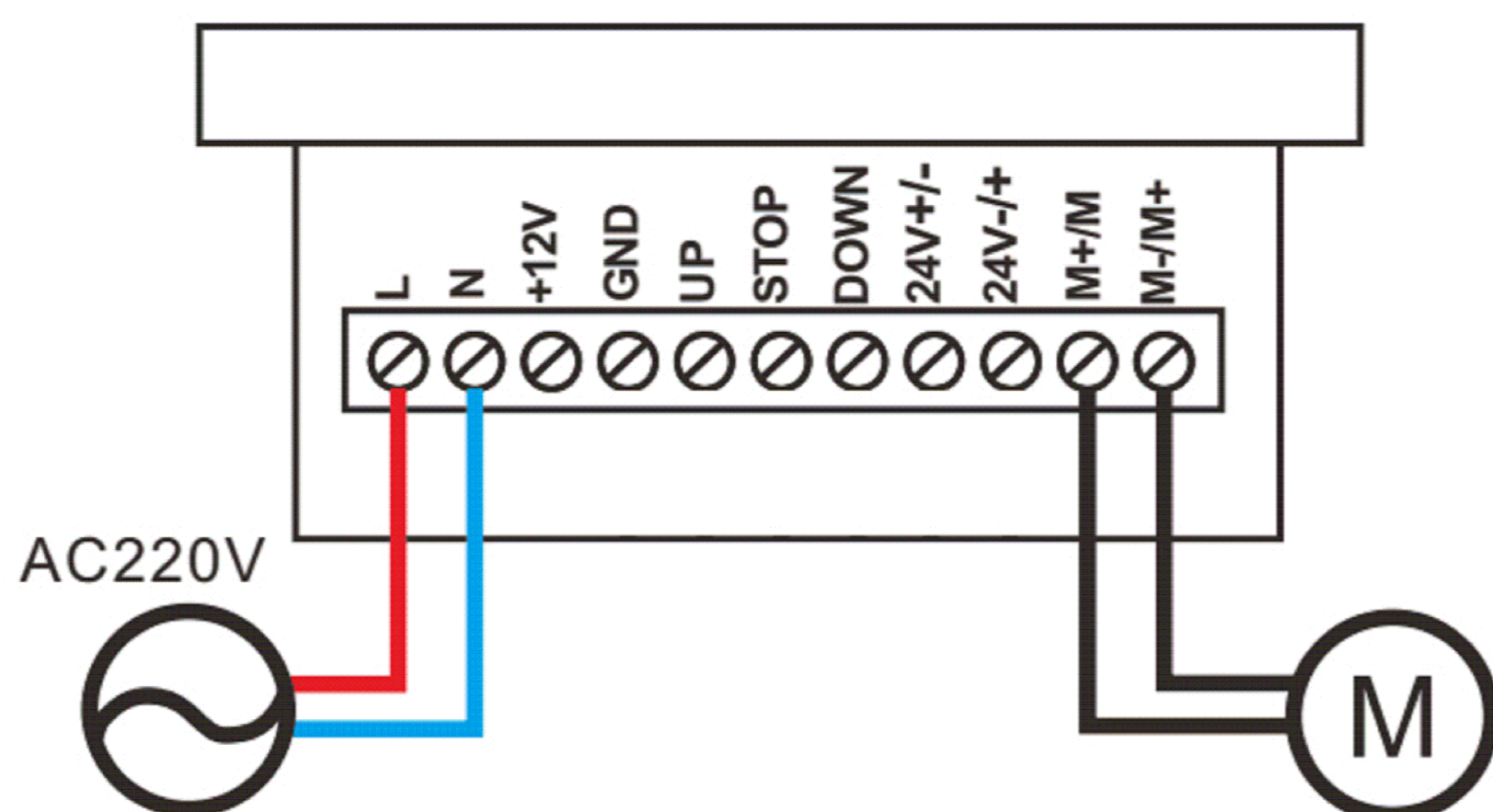
MOTOR
1B-31

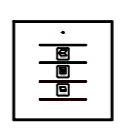

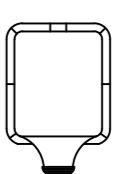


1B-30

AC 220V

E022
E012



1B-30	 	1
1B-31		1

