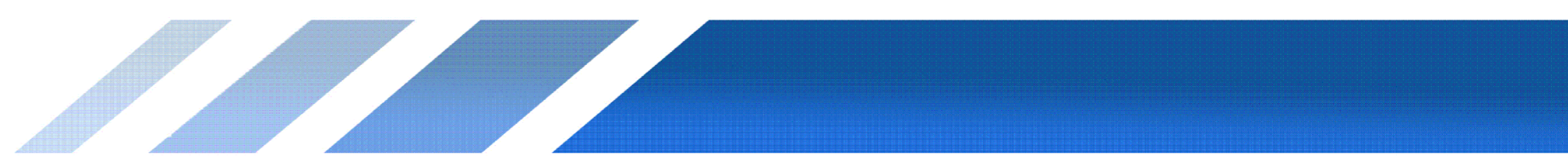
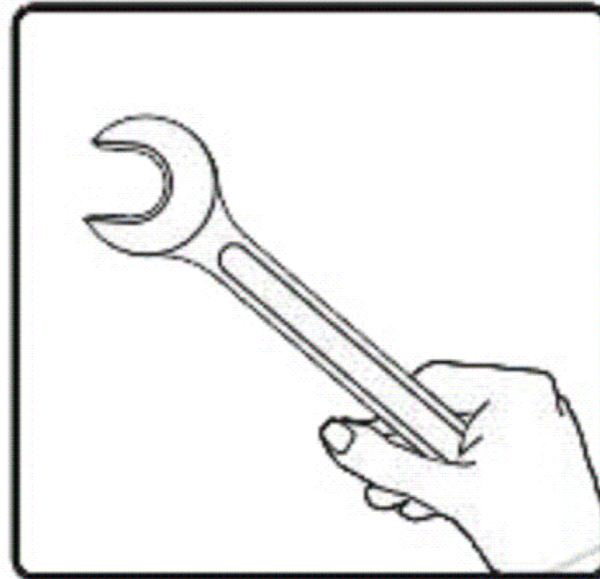
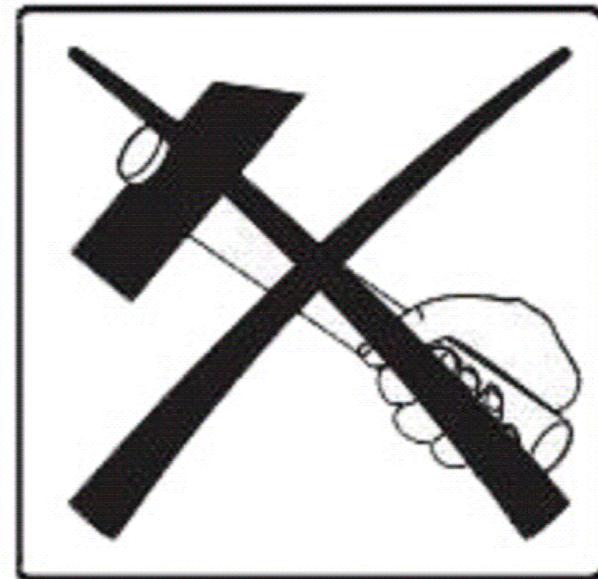
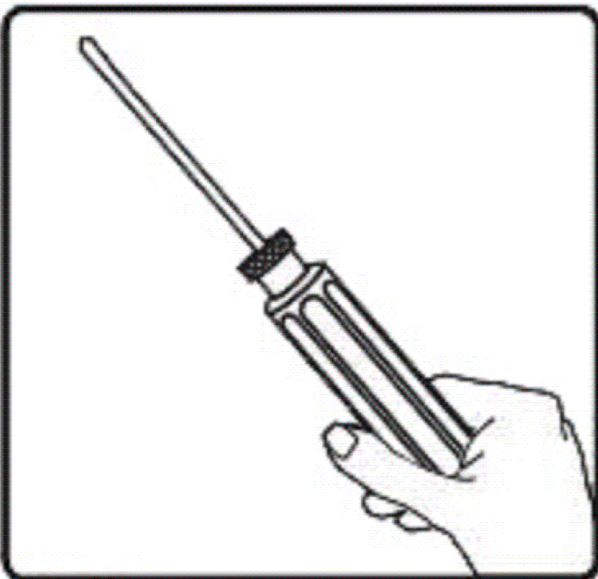
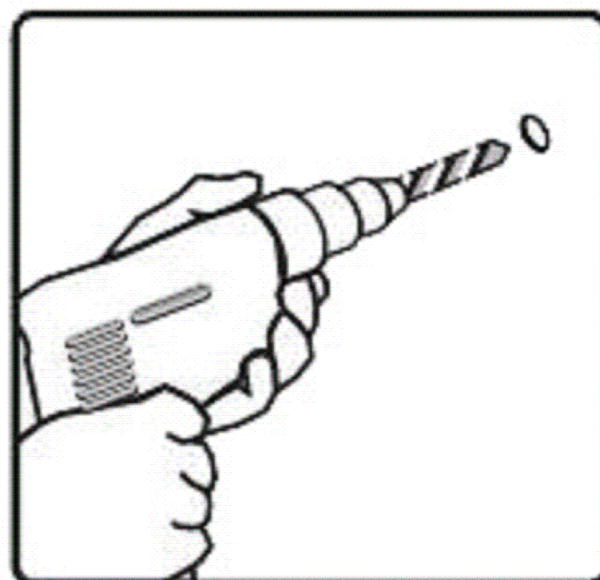
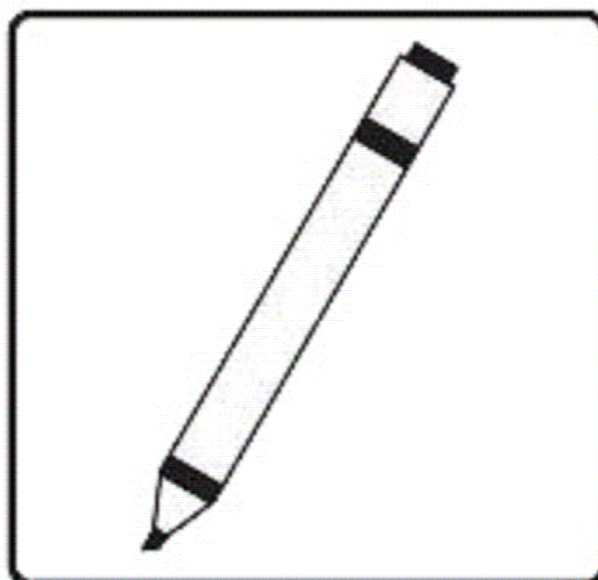
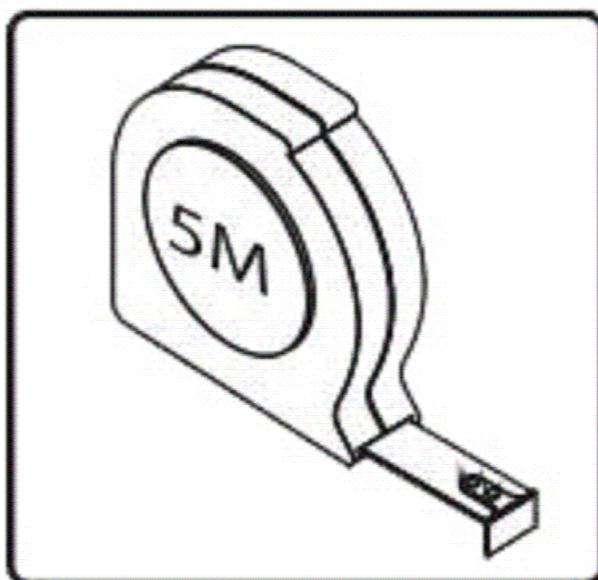
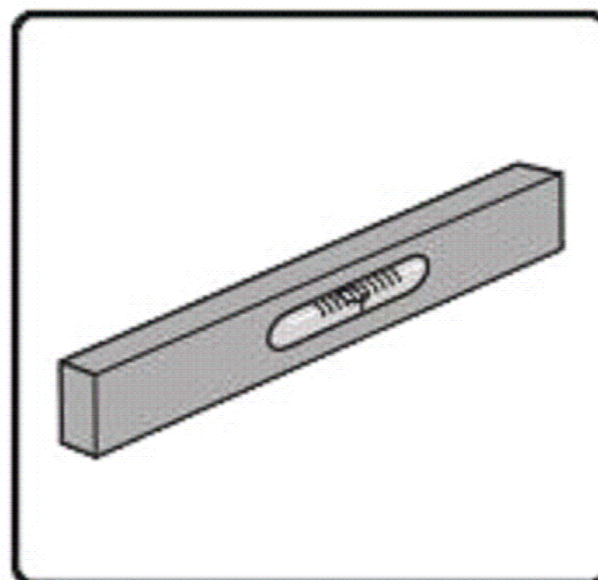
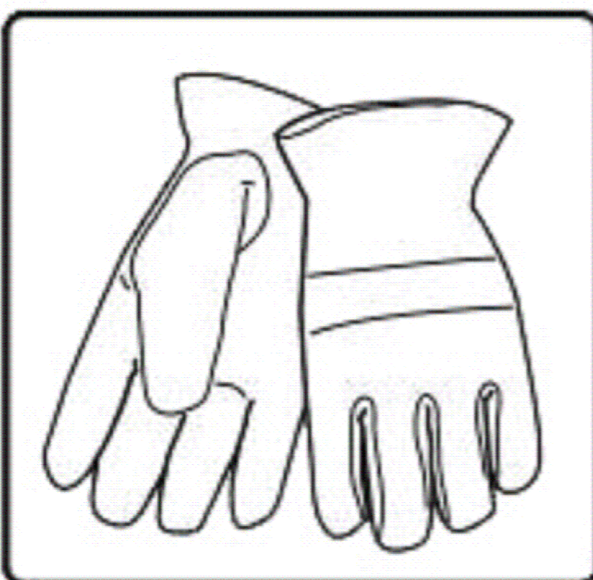
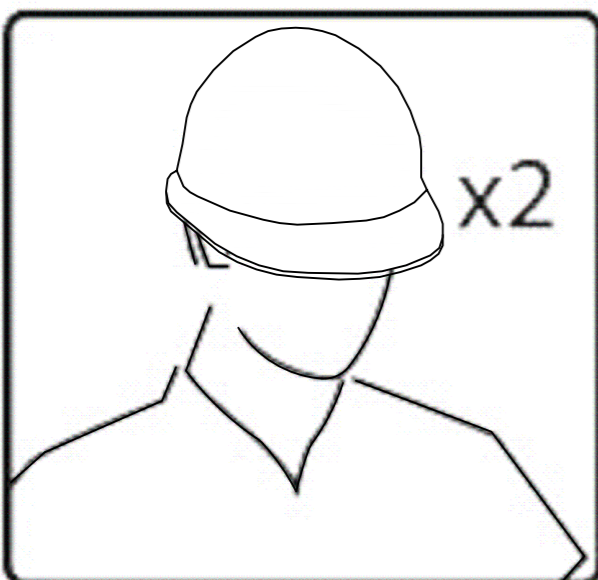
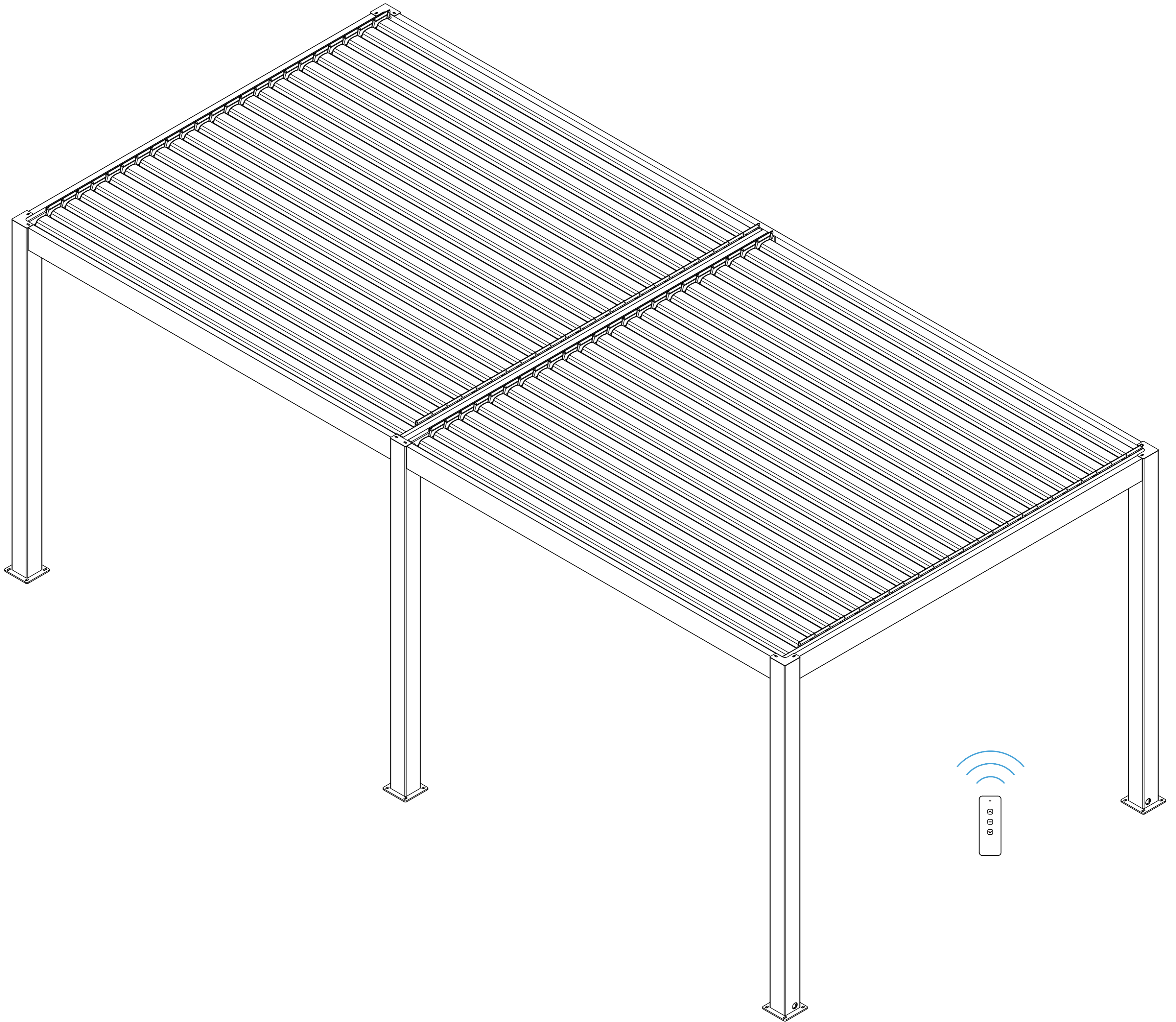




QUEEN PERGOLA FREE STANDING 6 POSTS

ELECTRIC 4x6m



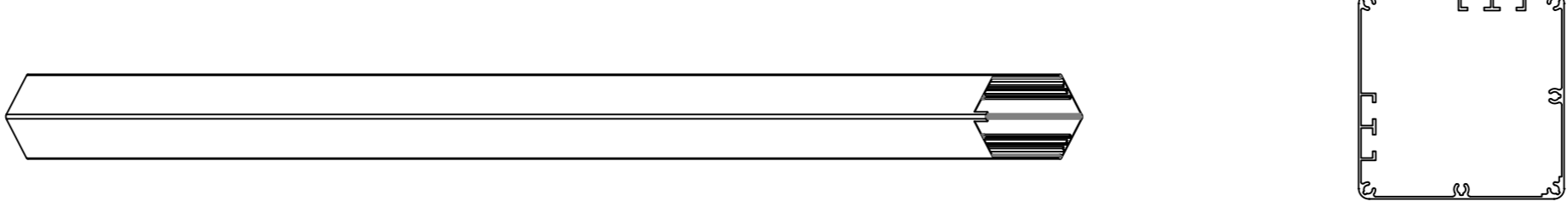
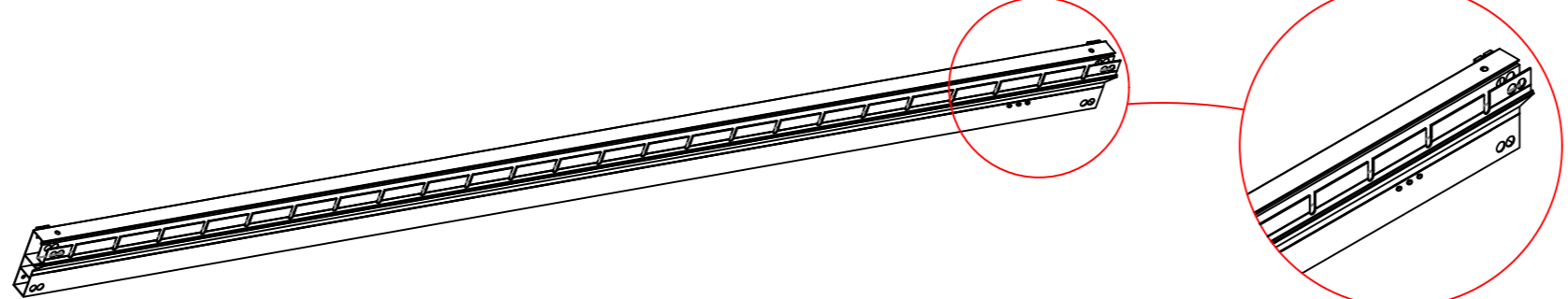
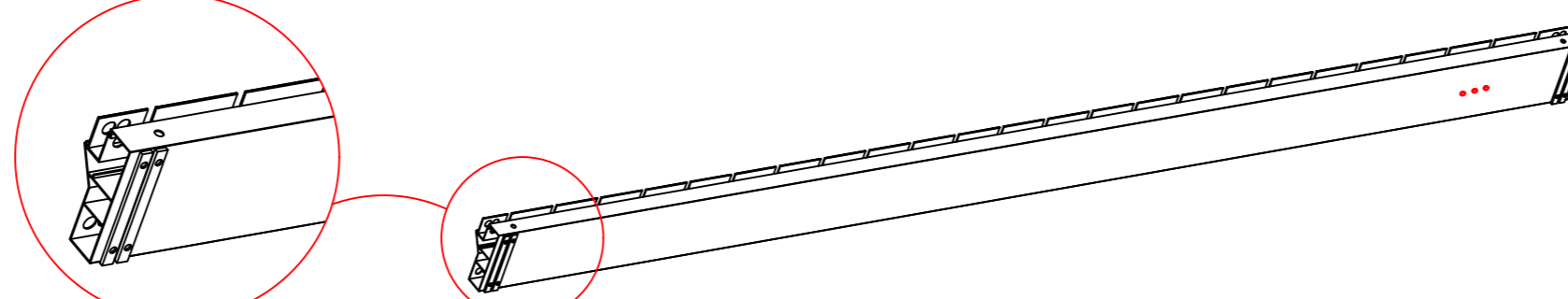
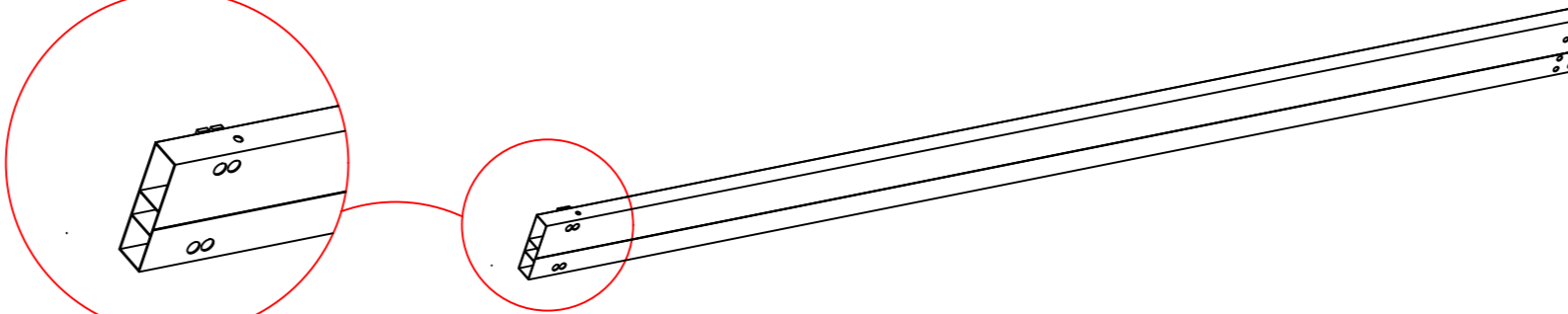
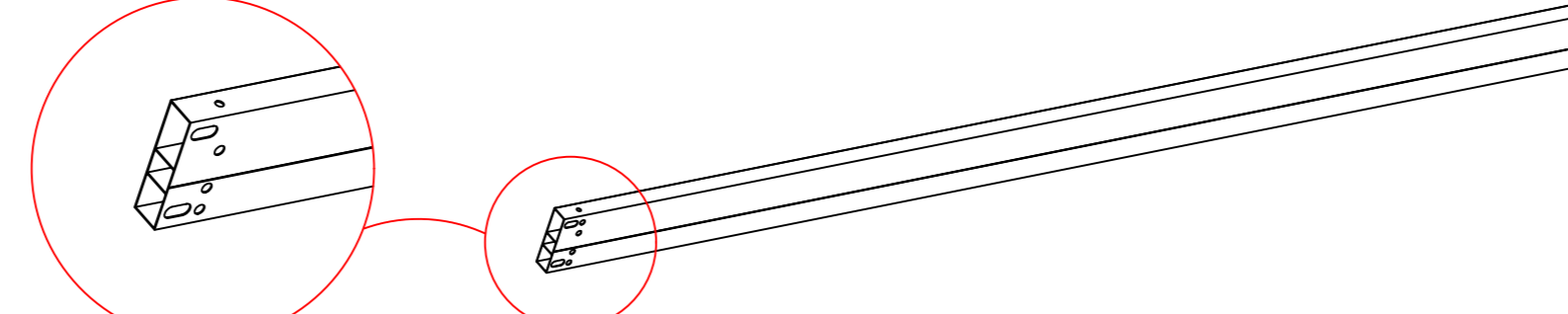
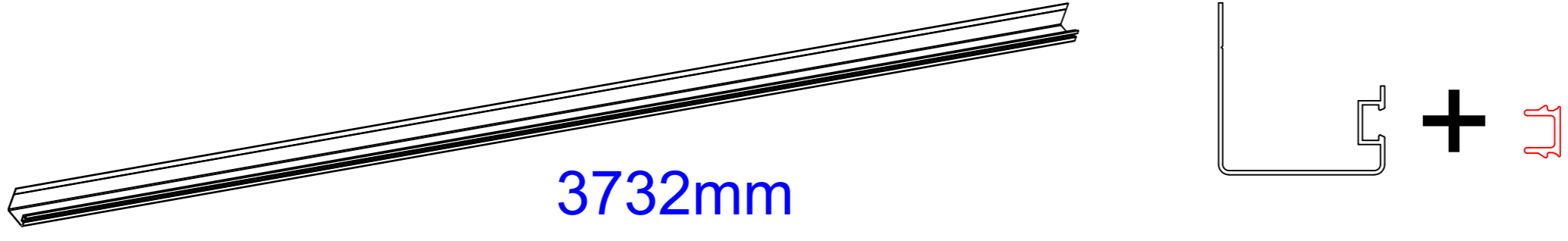
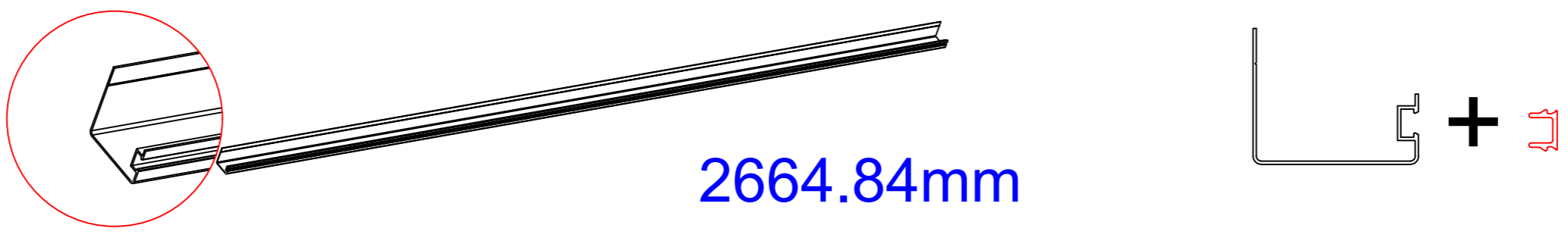
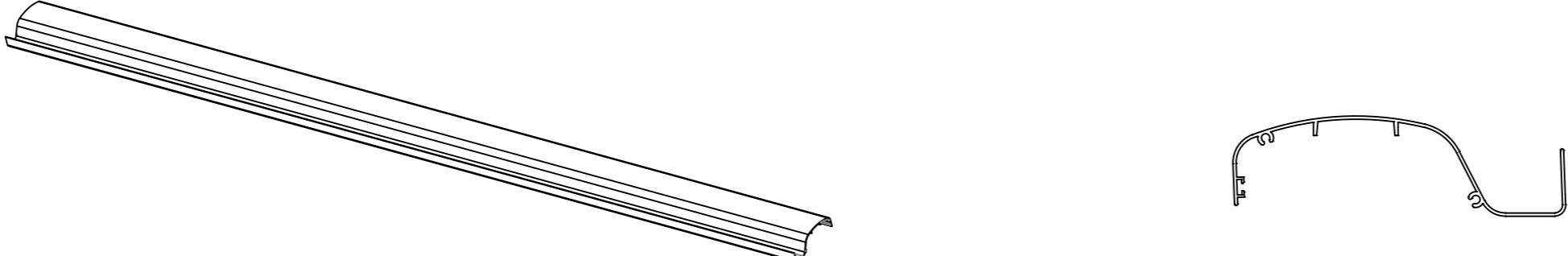
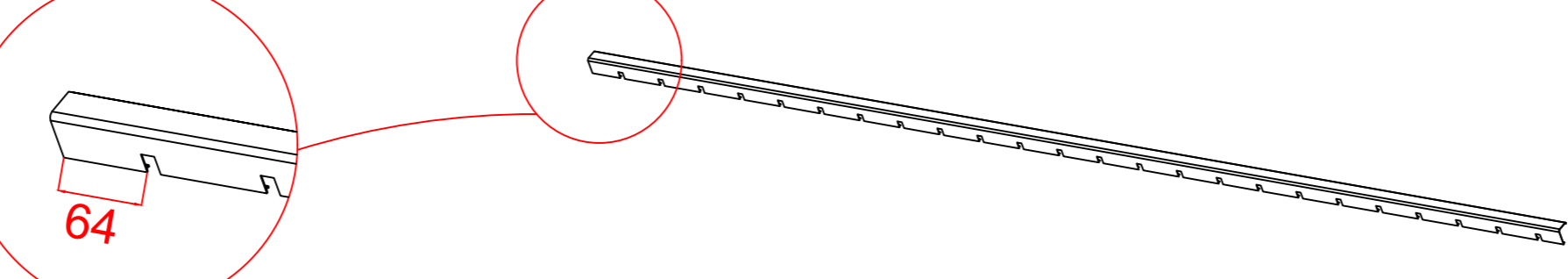
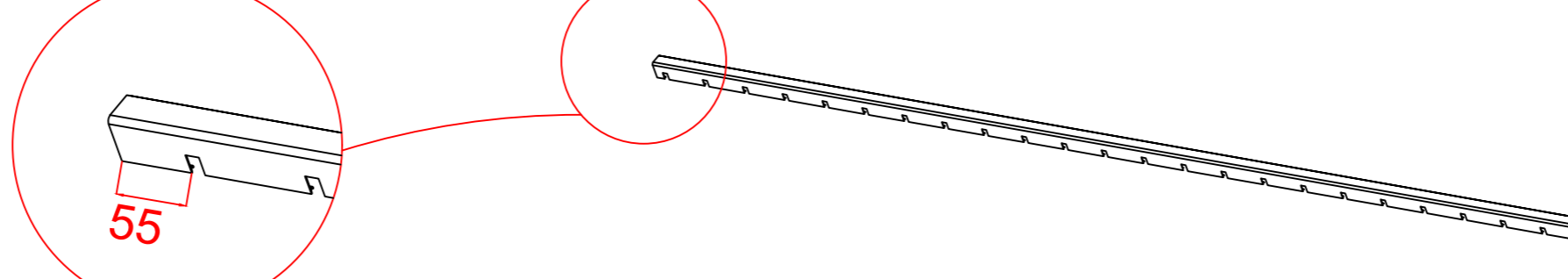
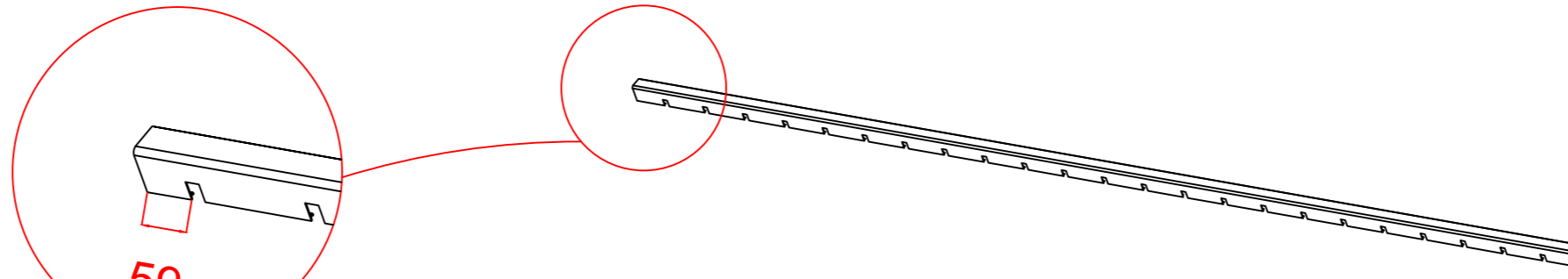
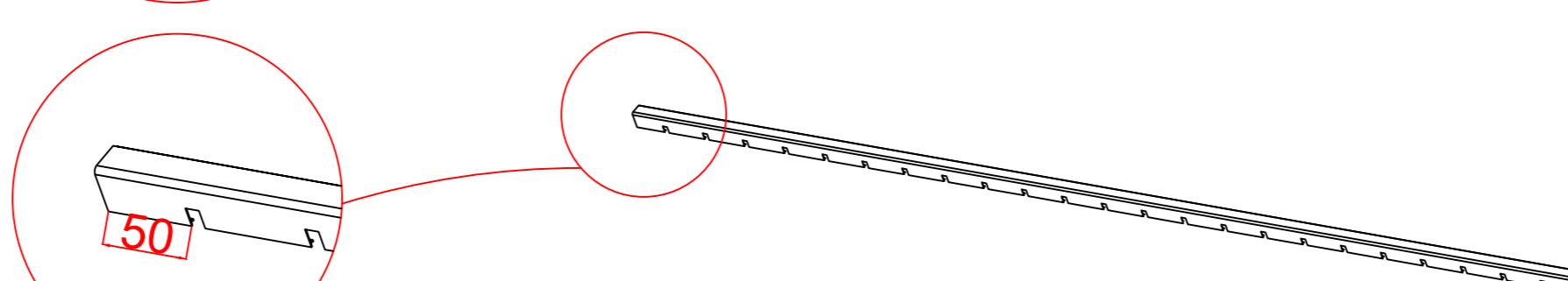

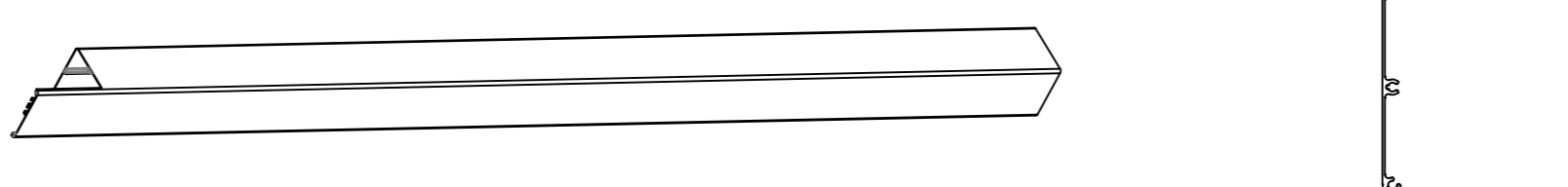


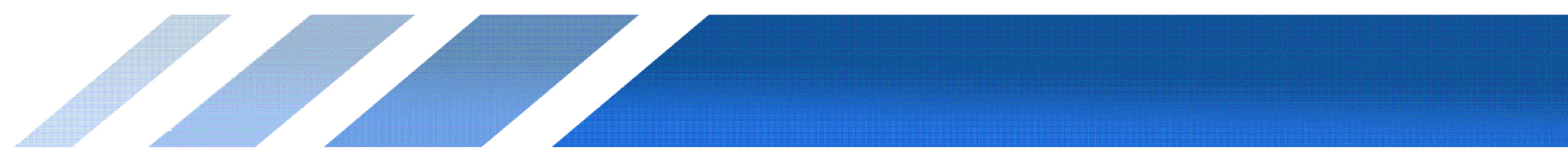


	Item	Qty	Item	Qty	Item	Qty
Carton 1/7	1B-27	2	1B-11	4	1B-12	4
	1B-13/B	6	1B-14	2	1B-15	2
	1B-18	1	1B-19	18+	1B-20	132+
	1B-21	24	1B-22	36+	1B-23	54+
	1B-24	1	1B-25	16	1B-26	2
	1B-30	2	1B-31	2	1B-48	65+
	1B-48B	1	1B-49	65+	1B-50	1
	1B-51	264+	1B-59	16		
Carton 2/7	1B-01	4				
Carton 3/7	1B-05A	2	1B-28	1	1B-03	1
	1B-02	1	1B-08A/B /C/D	4	1B-29	2
	1B-09	4				
Carton 4/7	1B-04A	2	1B-04B	2	1B-05B	4
Carton 5/7	1B-06	22				
Carton 6/7	1B-06	22				
Carton 7/7	1B-06	22				





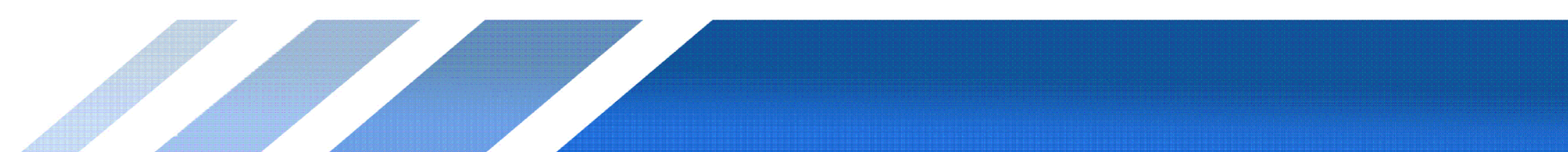
Item	Drawings	Qty
1B-01		4
1B-02		1
1B-03		1
1B-04A		2
1B-04B		2
1B-05A		2
1B-05B		4
1B-06		66
1B-08A		1
1B-08B		1
1B-08C		1
1B-08D		1
1B-09		4
1B-27		2

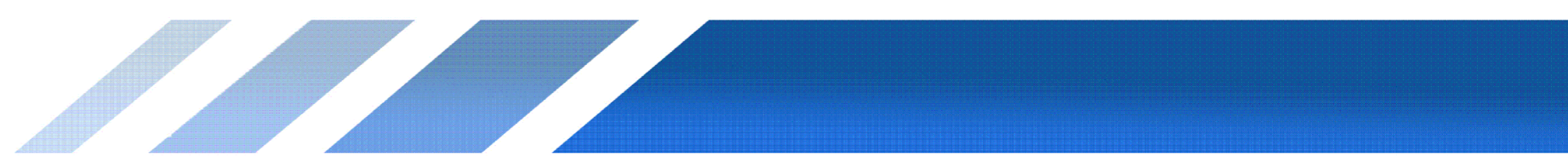
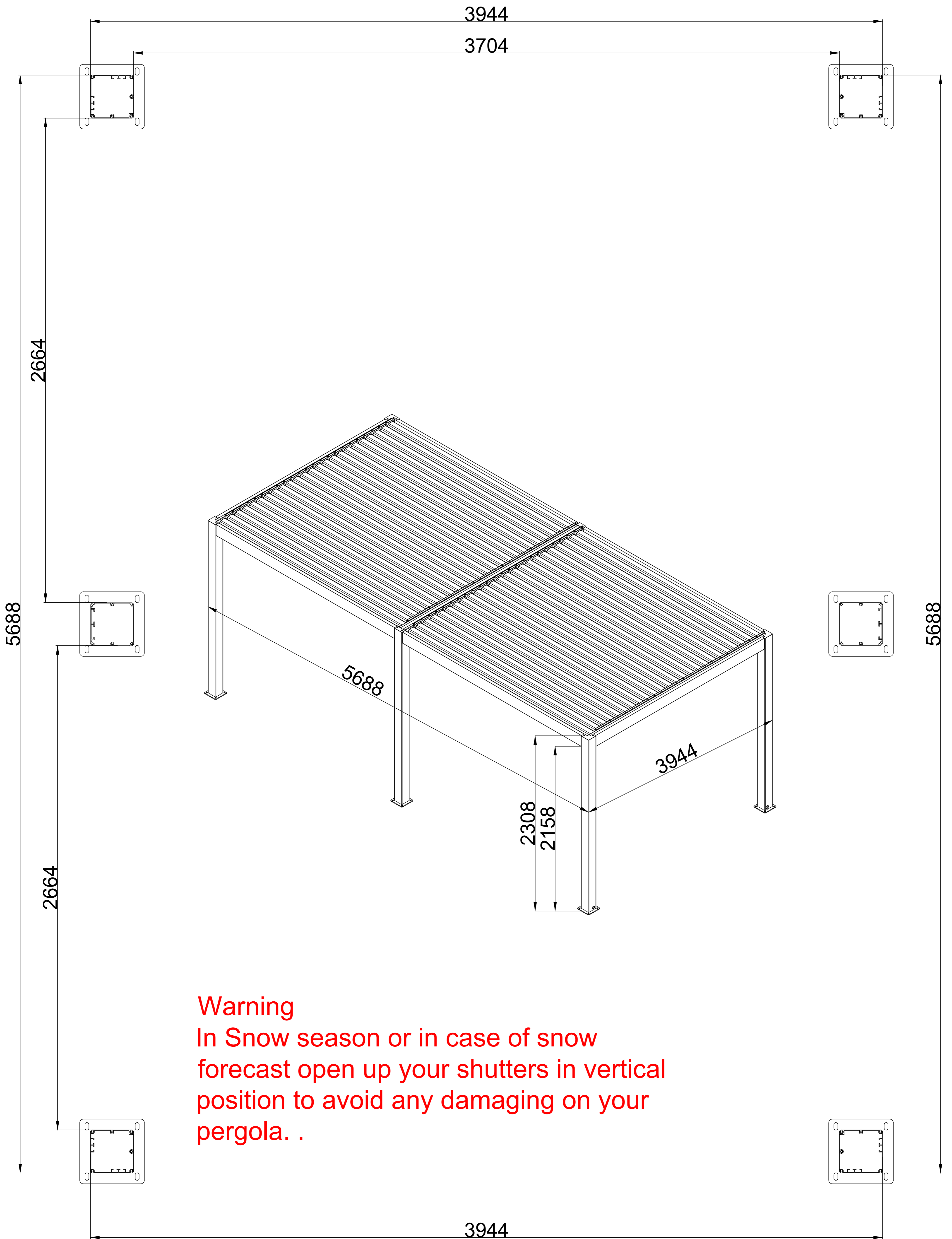




Item	Drawings	Qty
1B-11		4
1B-12		4
1B-13		4
1B-13B		2
1B-14		2
1B-15	 M8*20lock nut	2
1B-18		1
1B-19	 M8*20	18+
1B-20		132+
1B-21		24
1B-22		36+
1B-23		54+

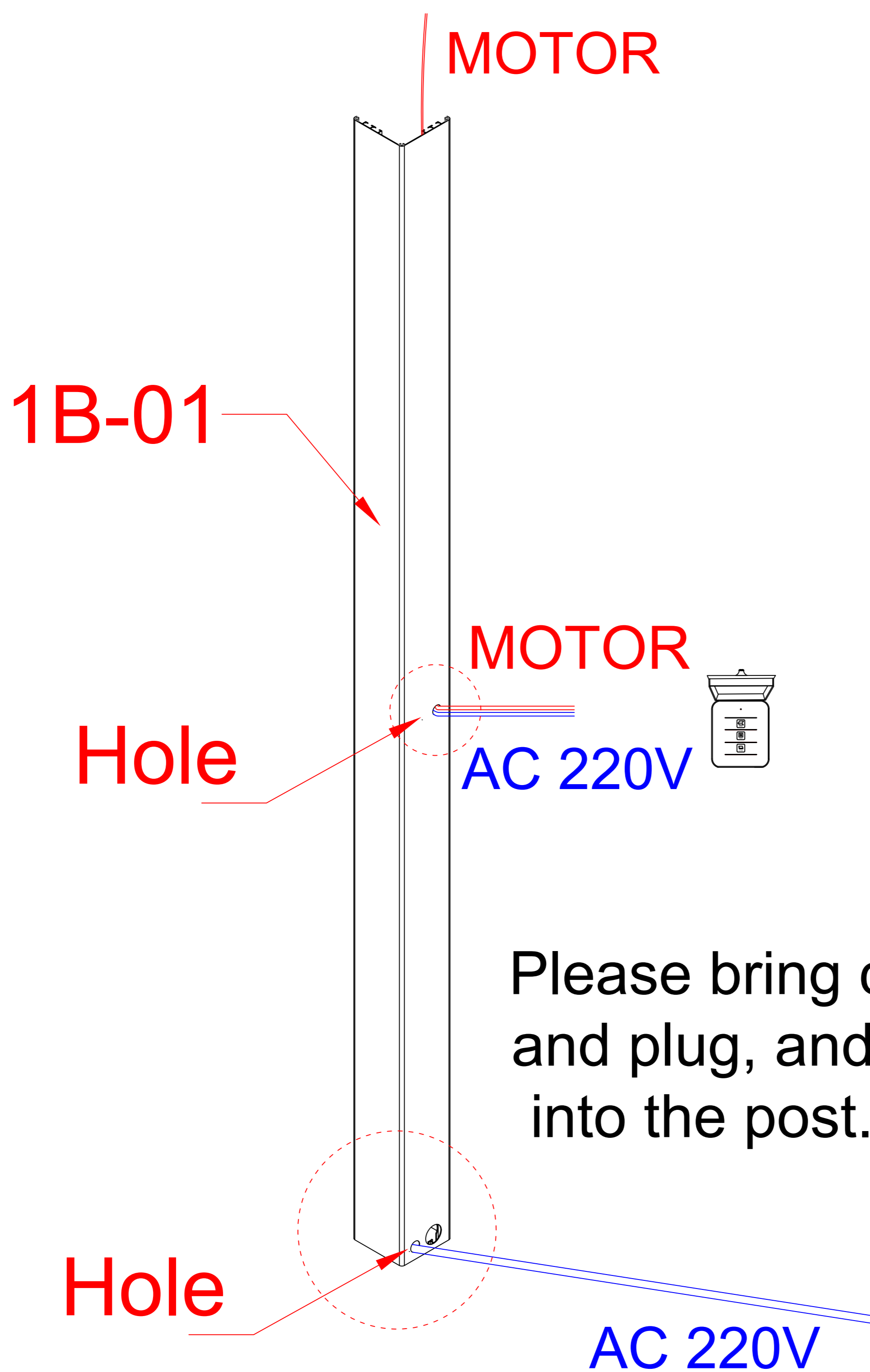
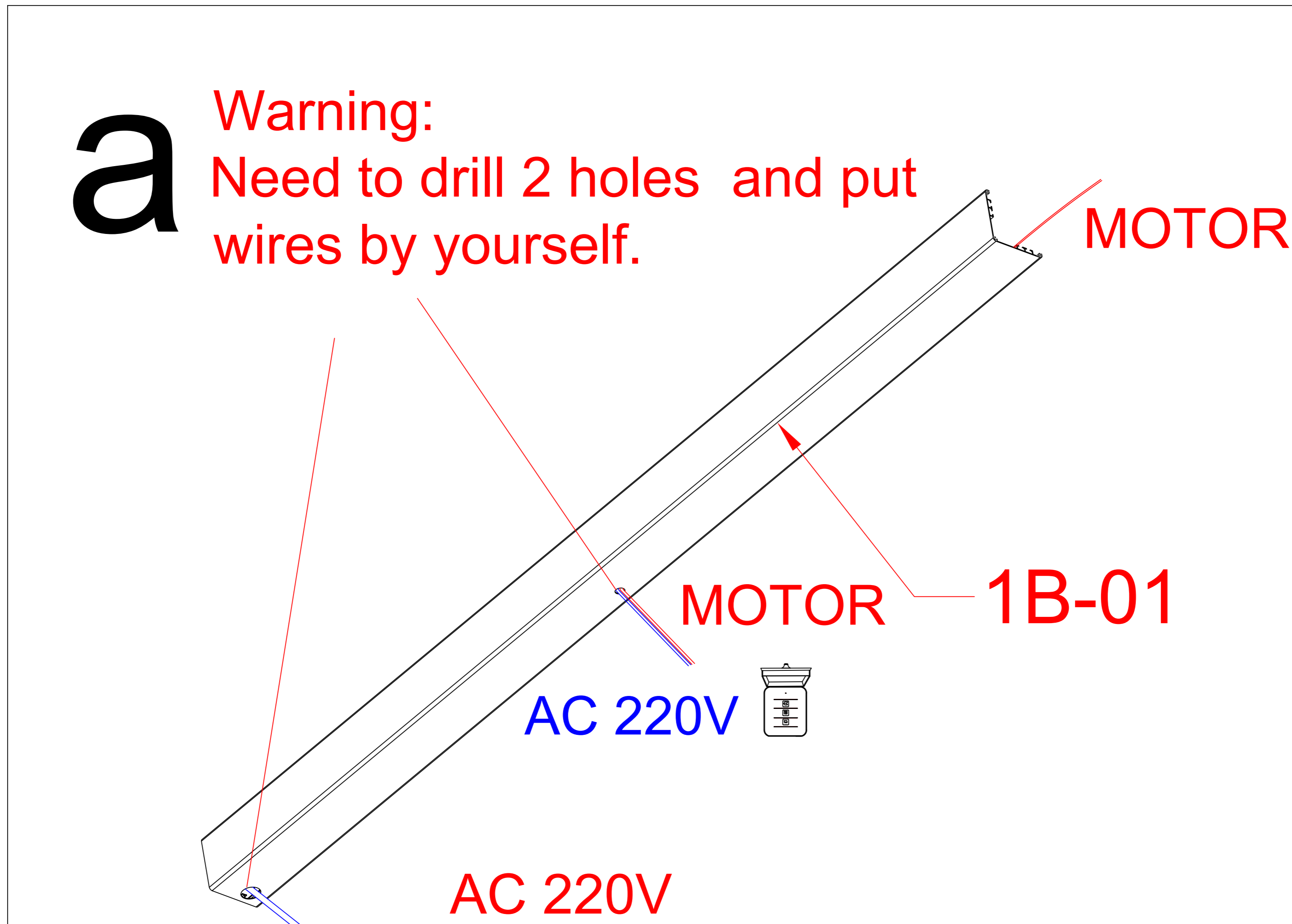
Item	Drawings	Qty
1B-24		1
1B-25	 M8*25	16
1B-26		2
1B-30		2
1B-31		2
1B-48		65+
1B-48B		1
1B-49		65+
1B-50		1
1B-51	 M3.5*25	264+
1B-59	 M8*10	16



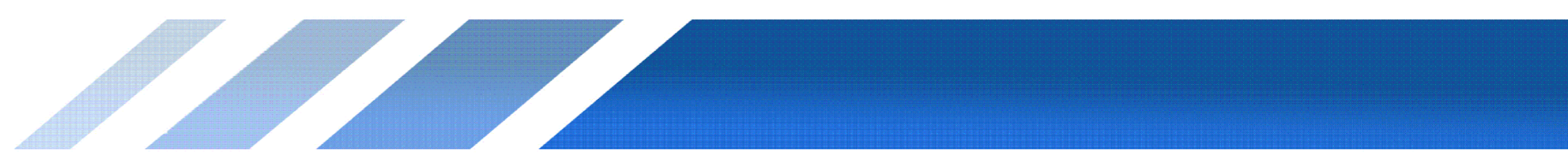




Motor Wires Diagram - The control box is on the post

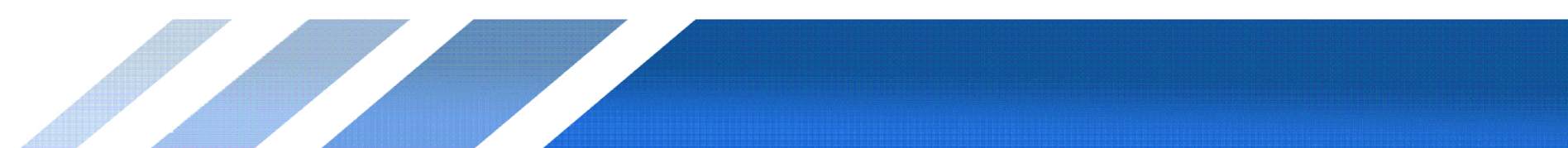
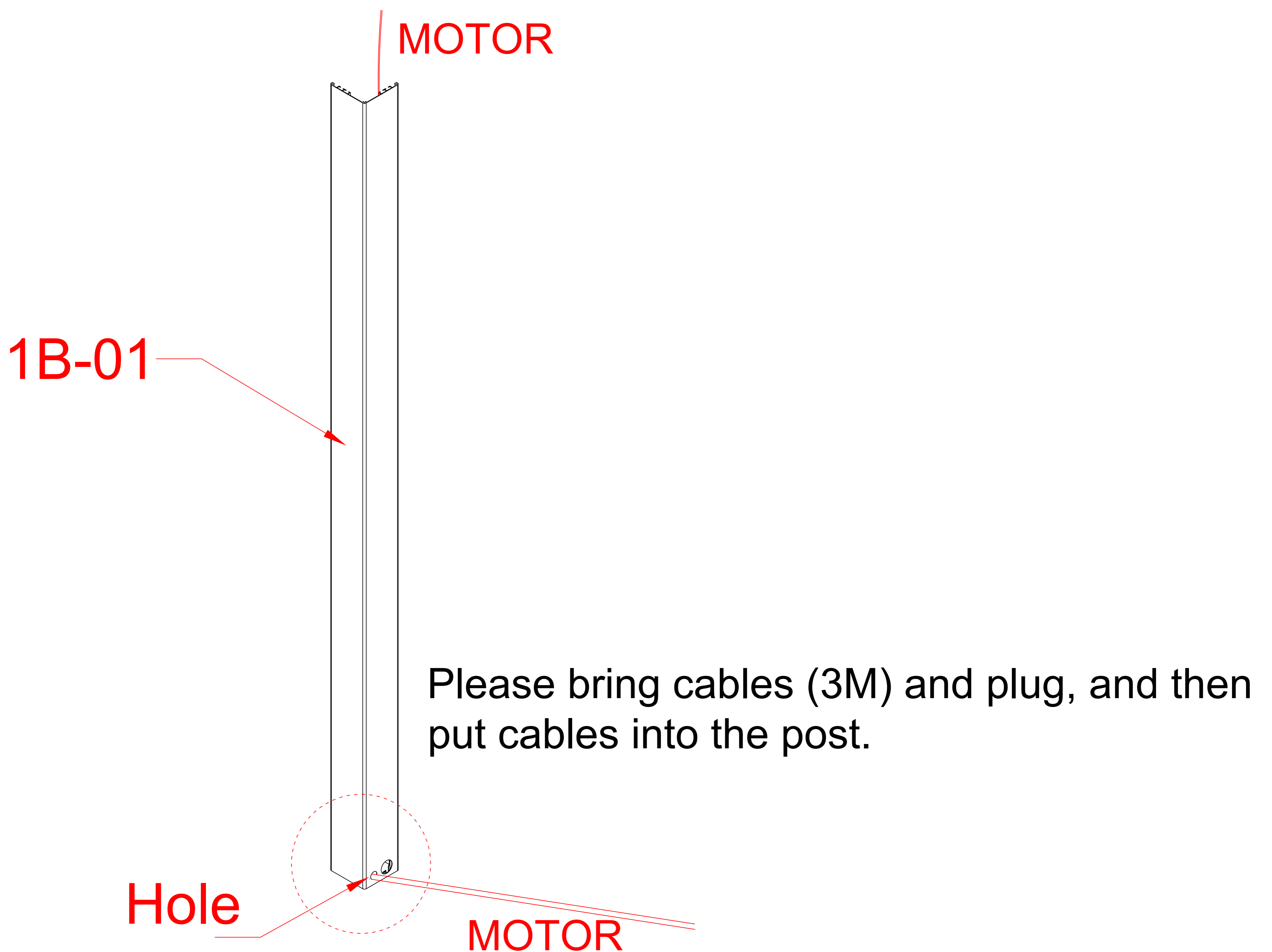
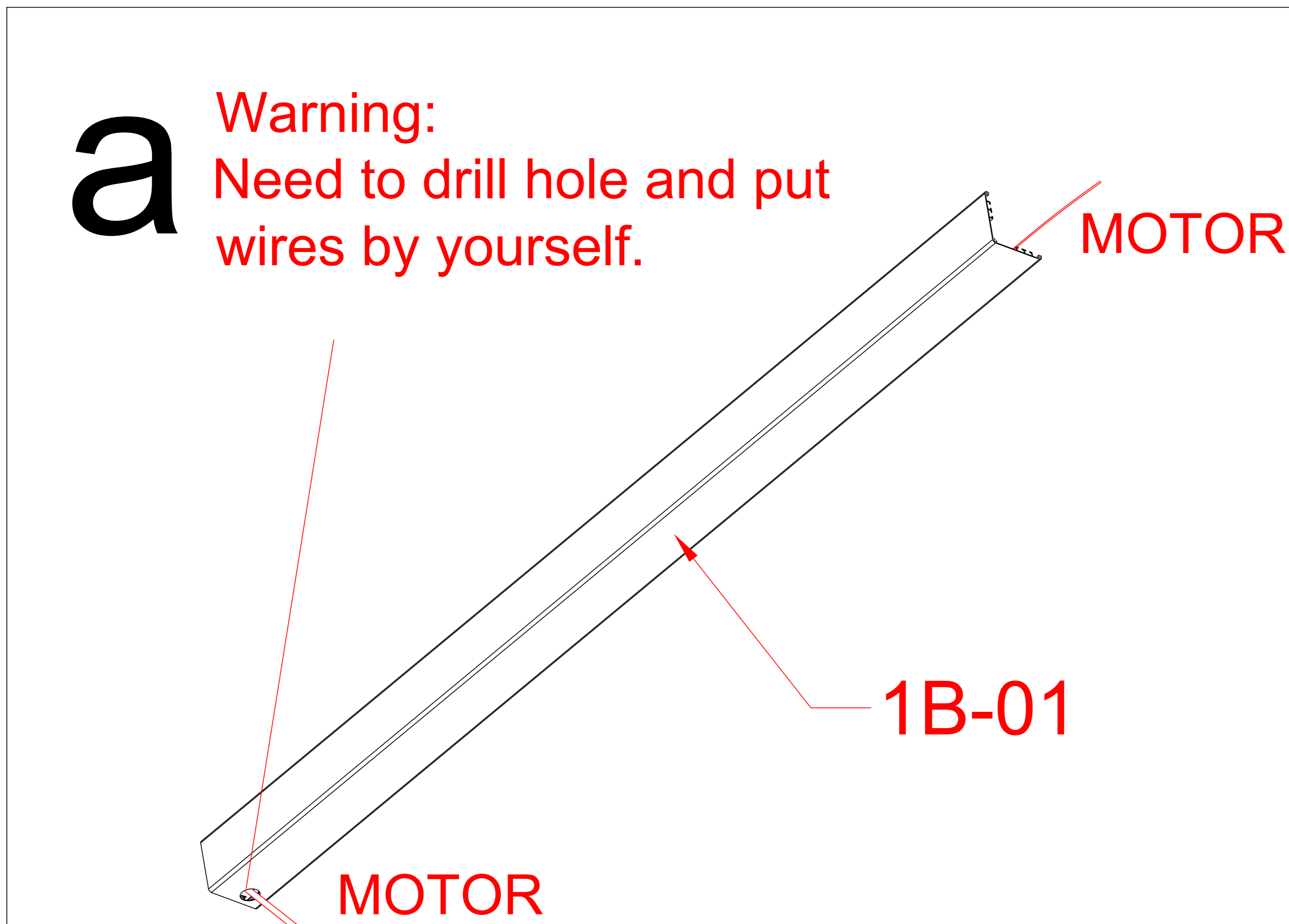


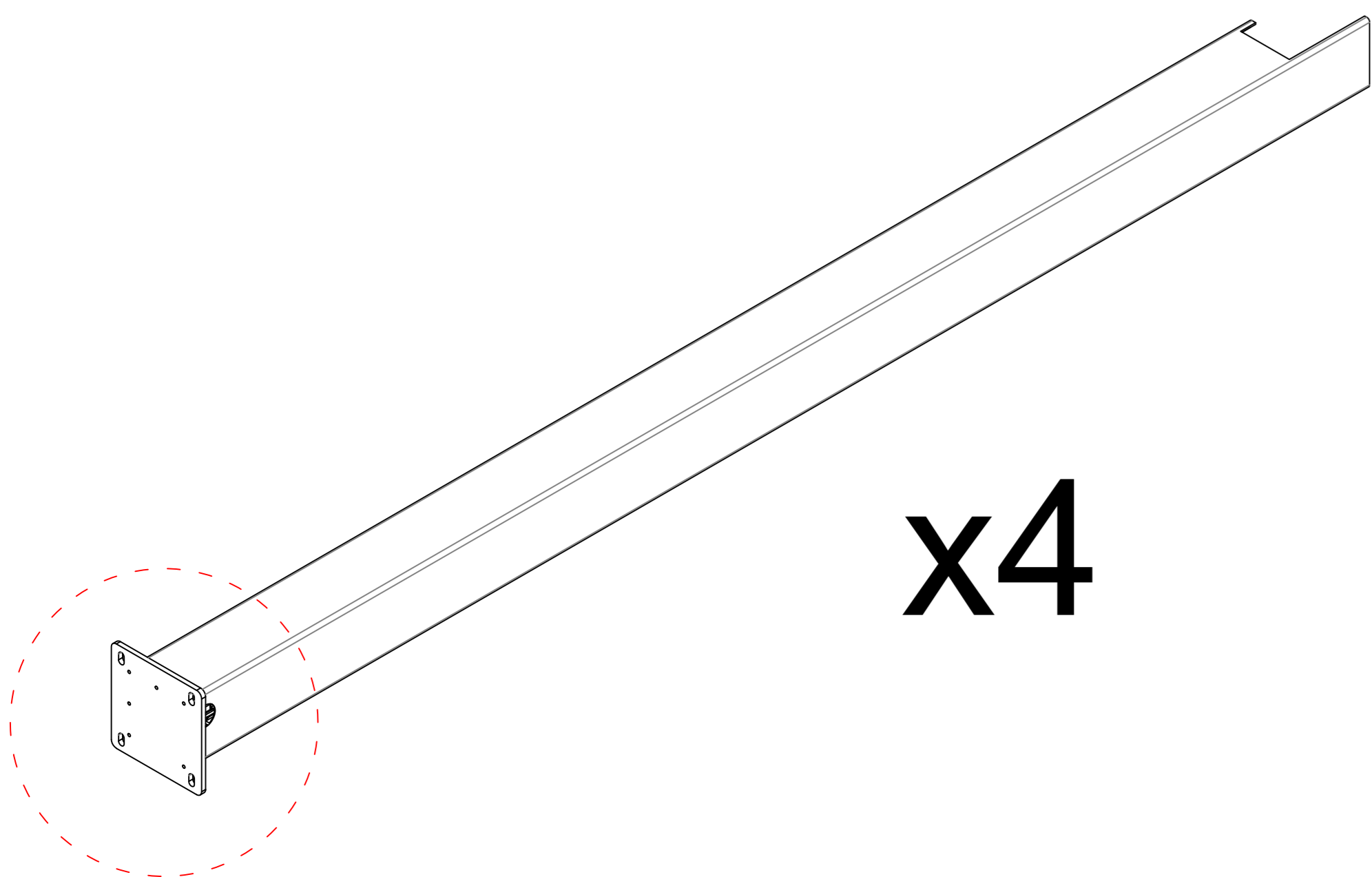
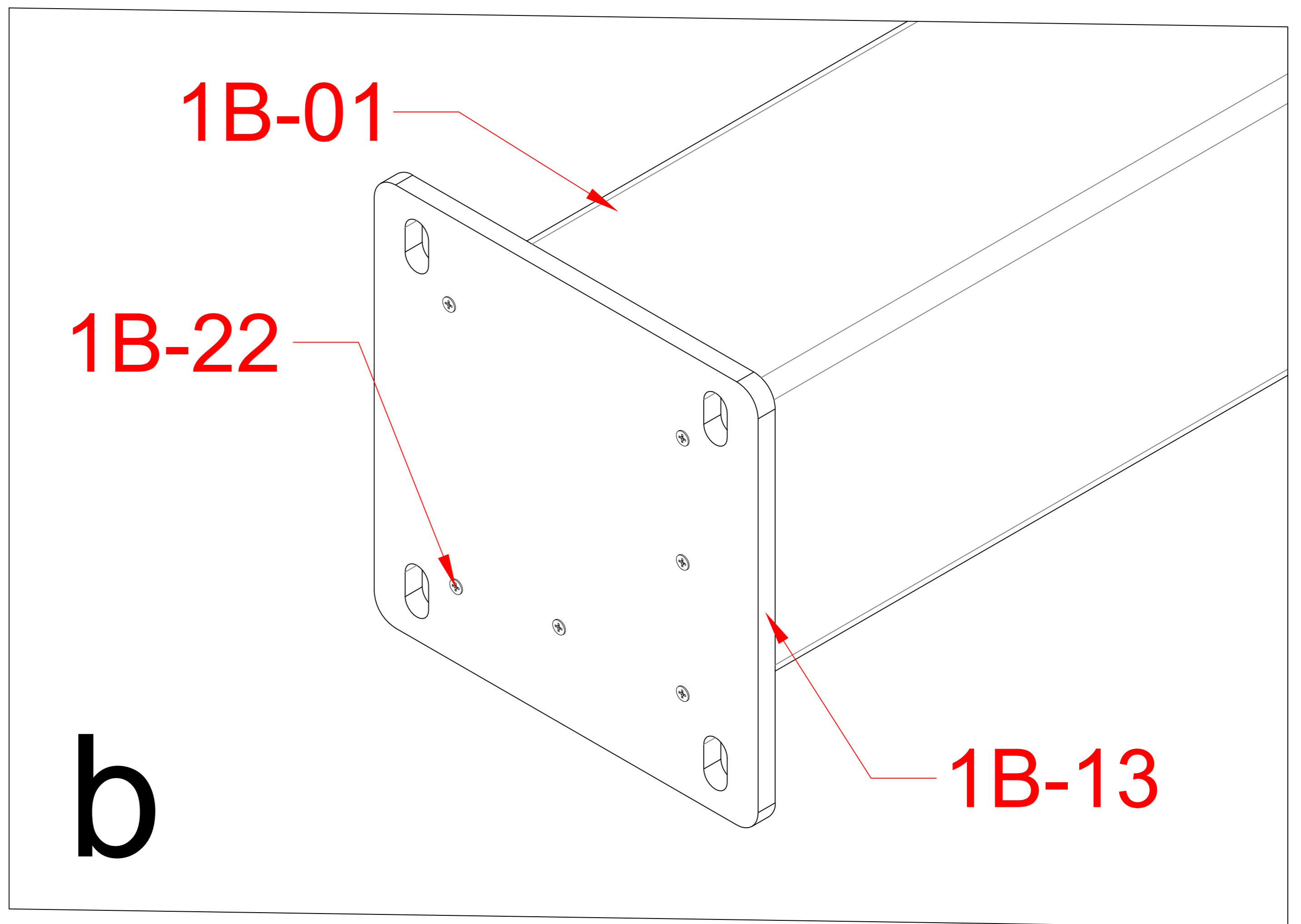
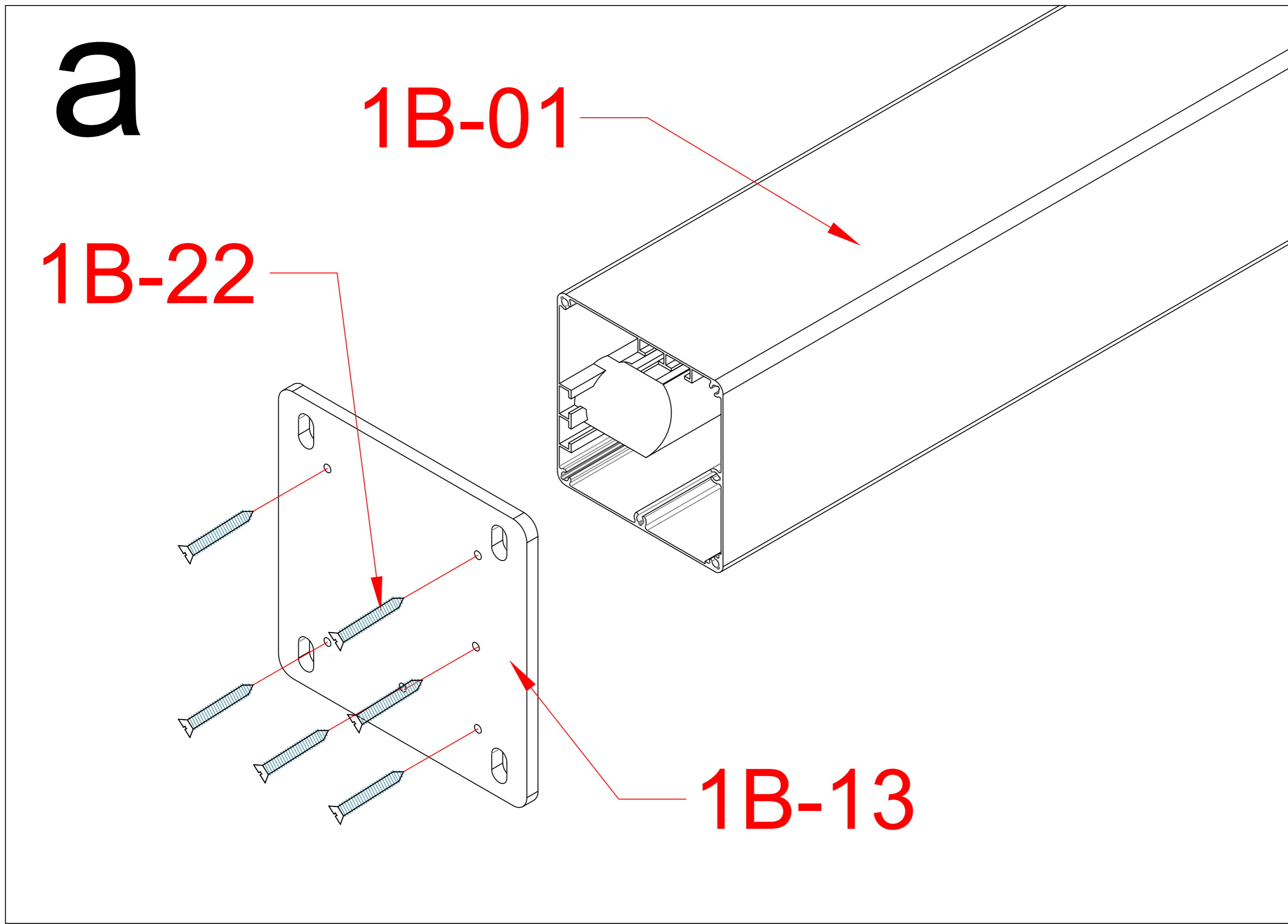
Please bring cables (1.5M), power cords (1.5M) and plug, and then put cables and power cords into the post.



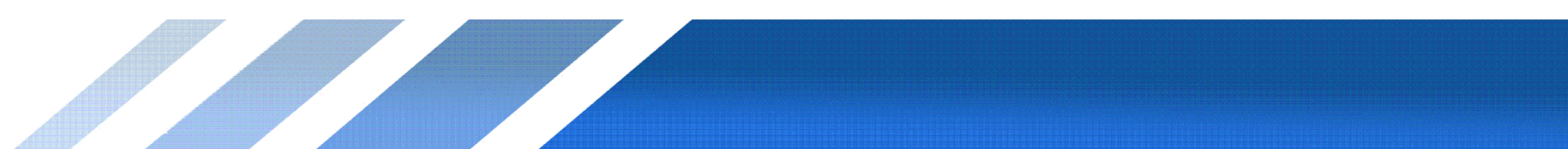


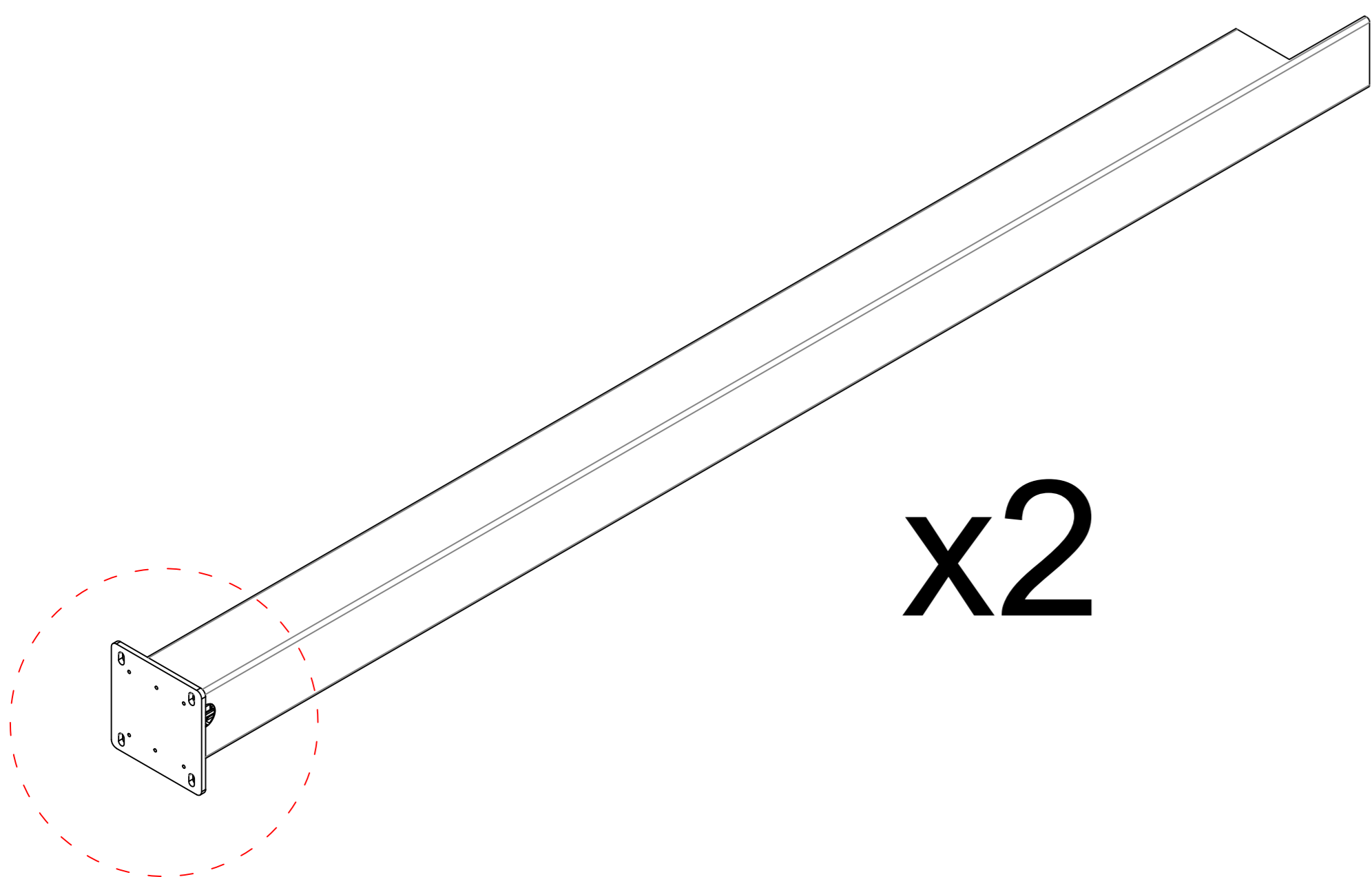
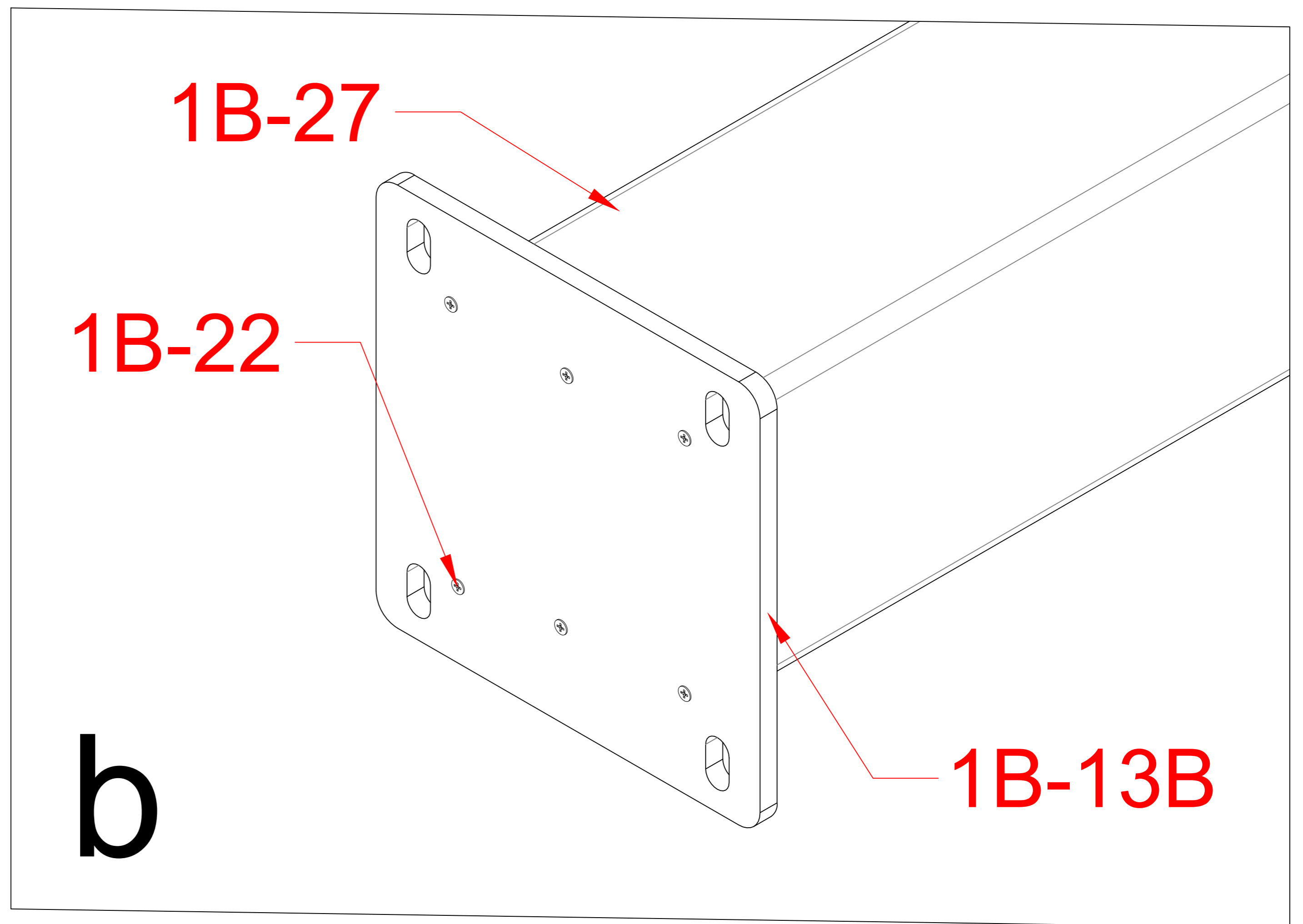
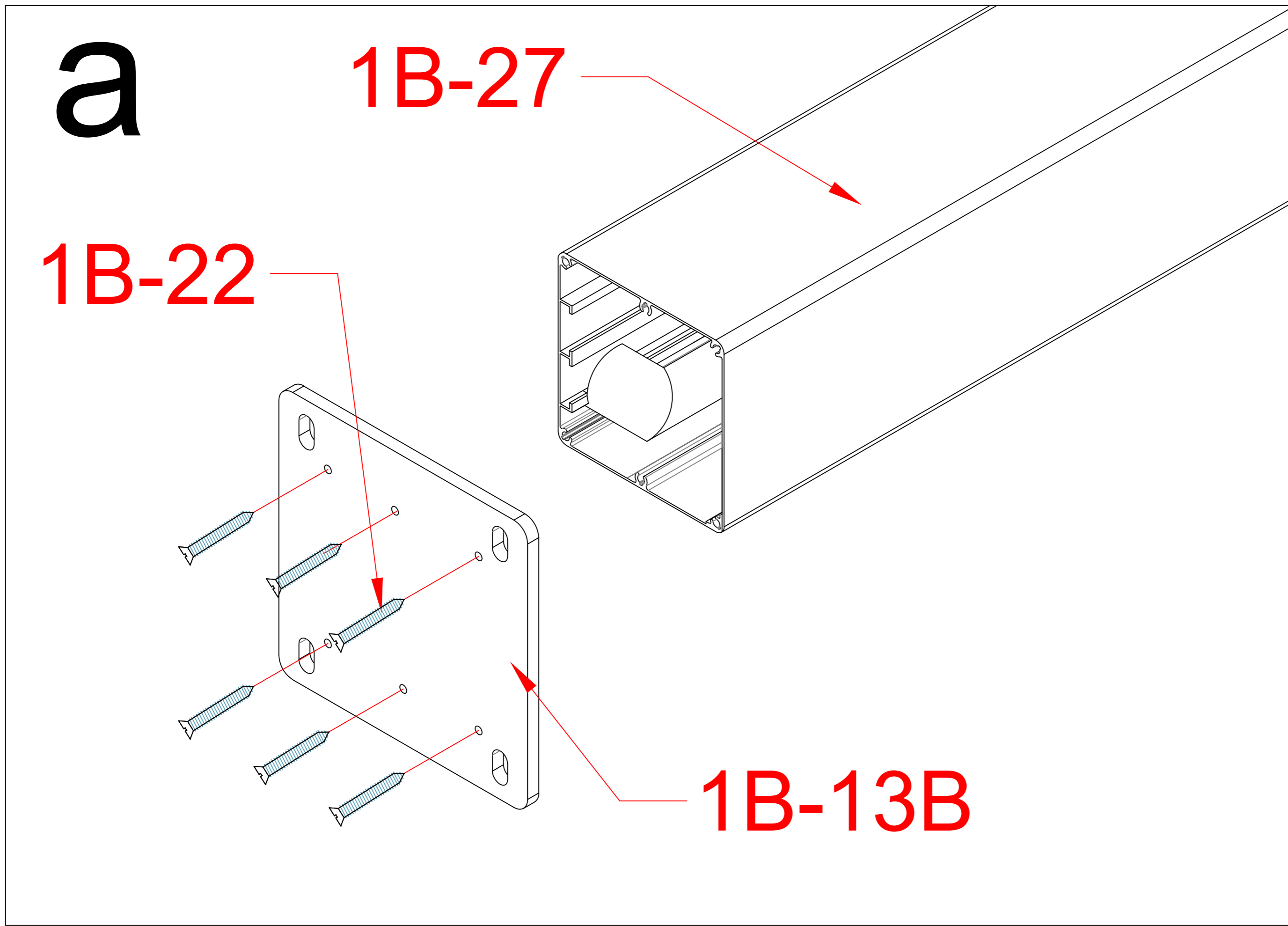
Motor Wires Diagram - The control box is not on the post



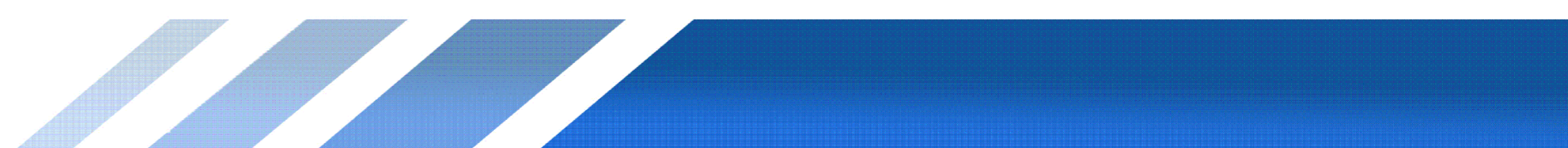


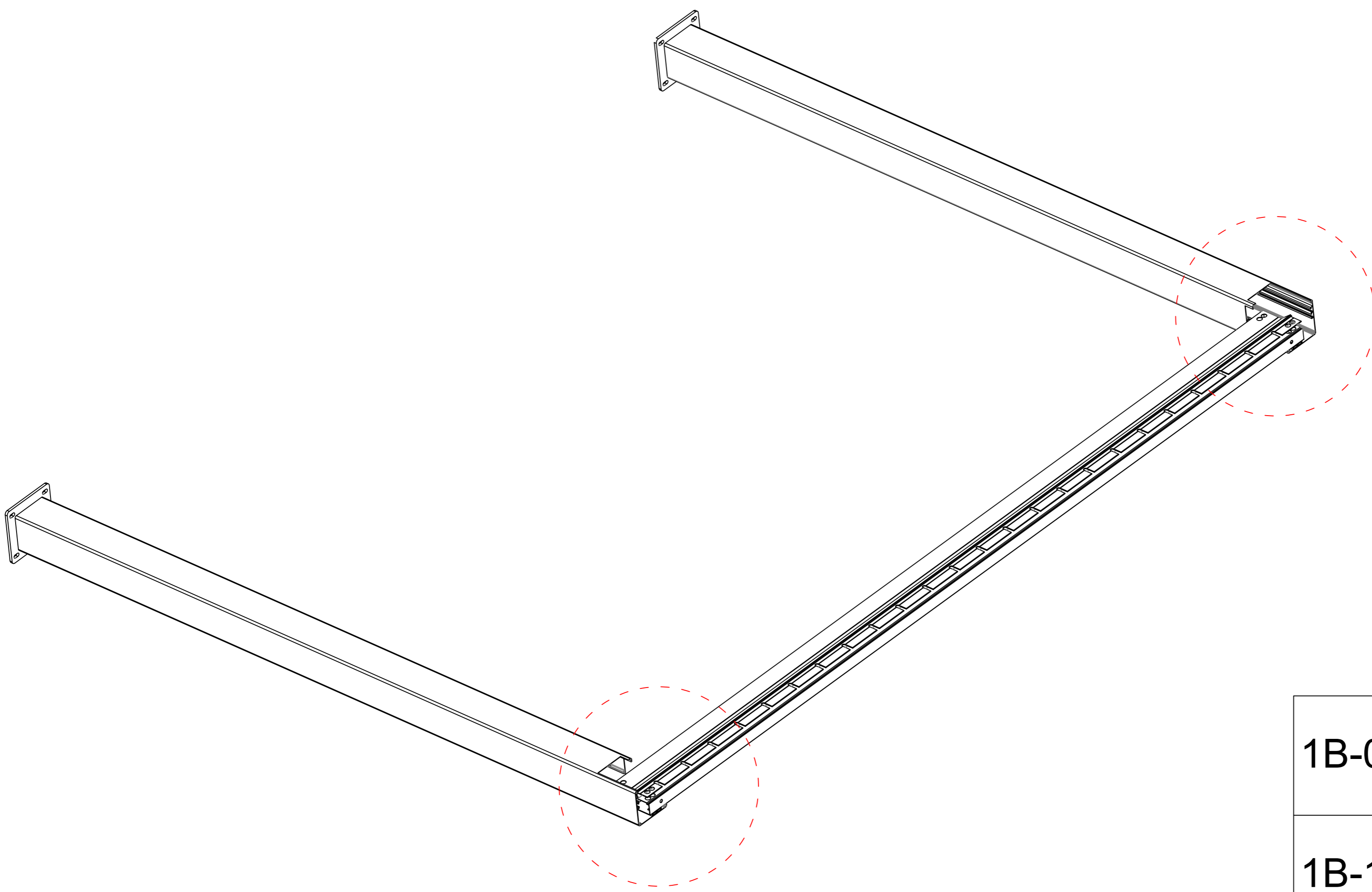
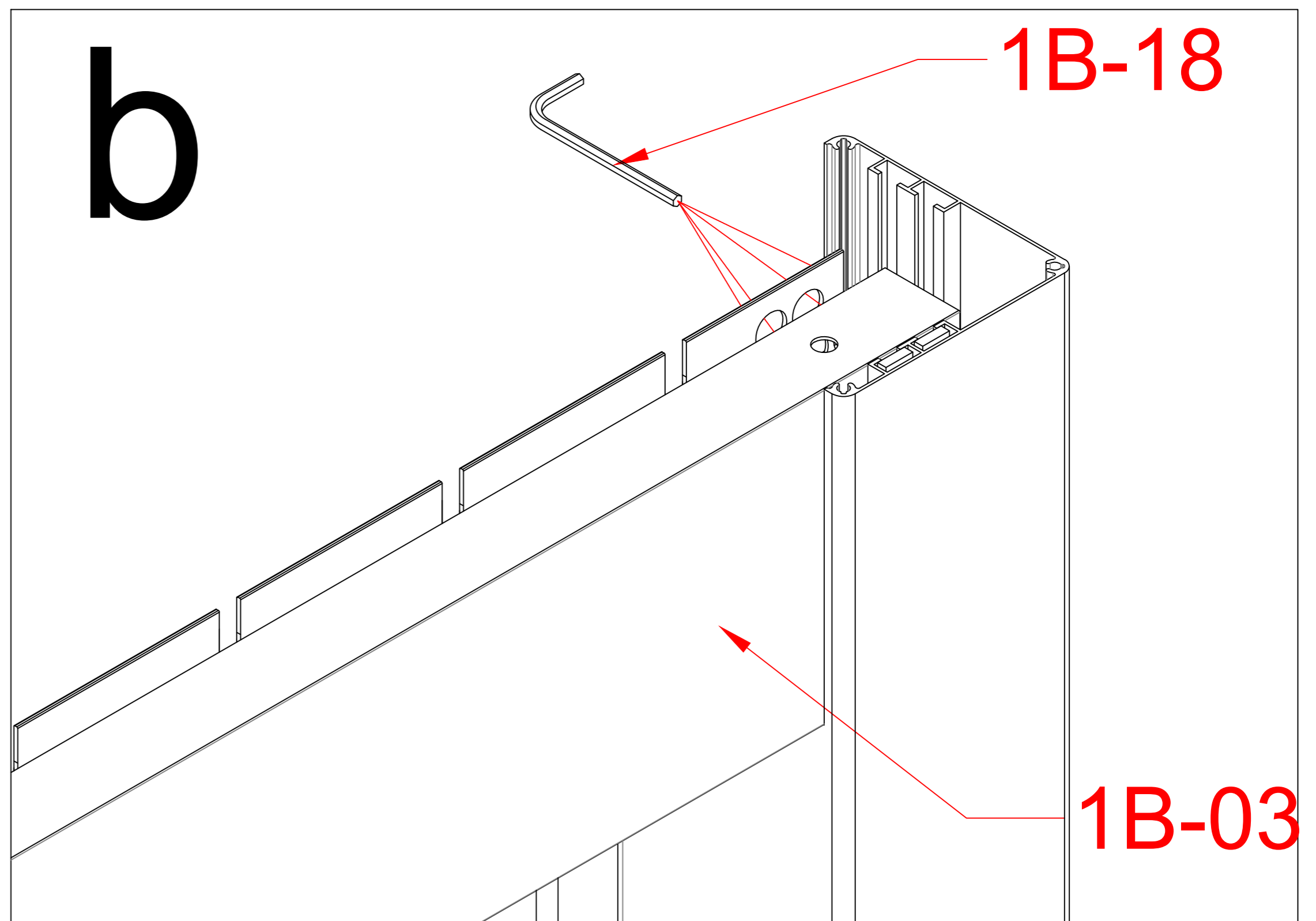
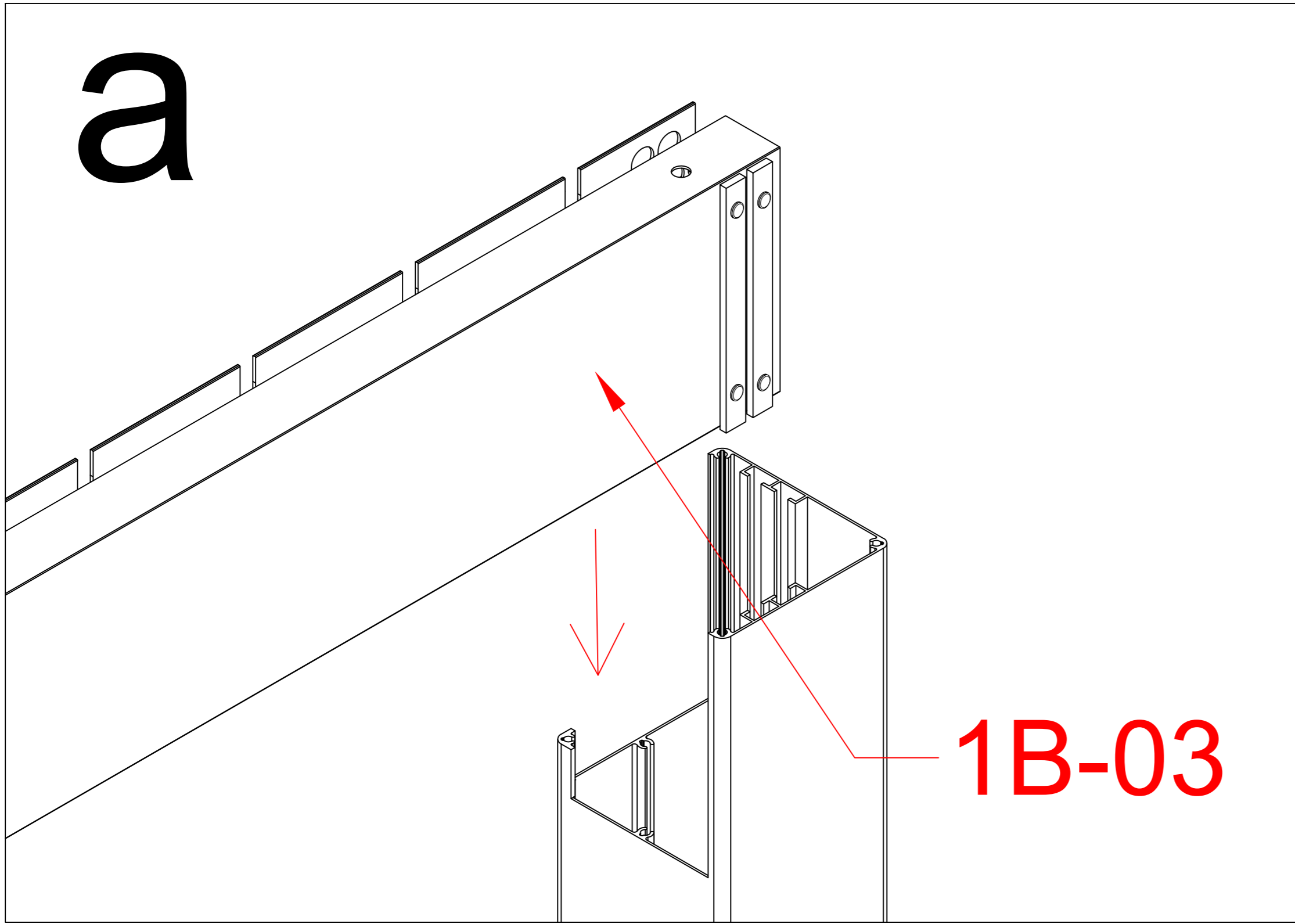
1B-01		4
1B-13		4
1B-22		24



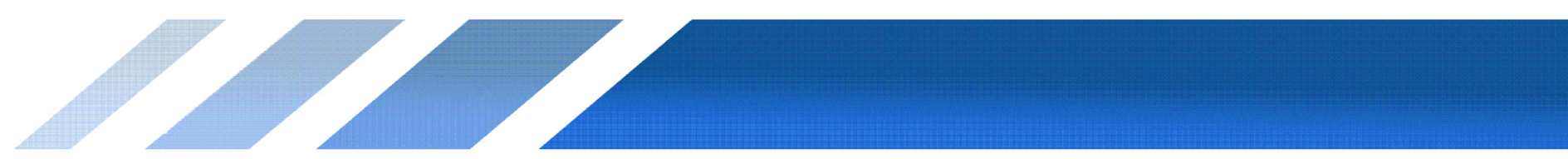


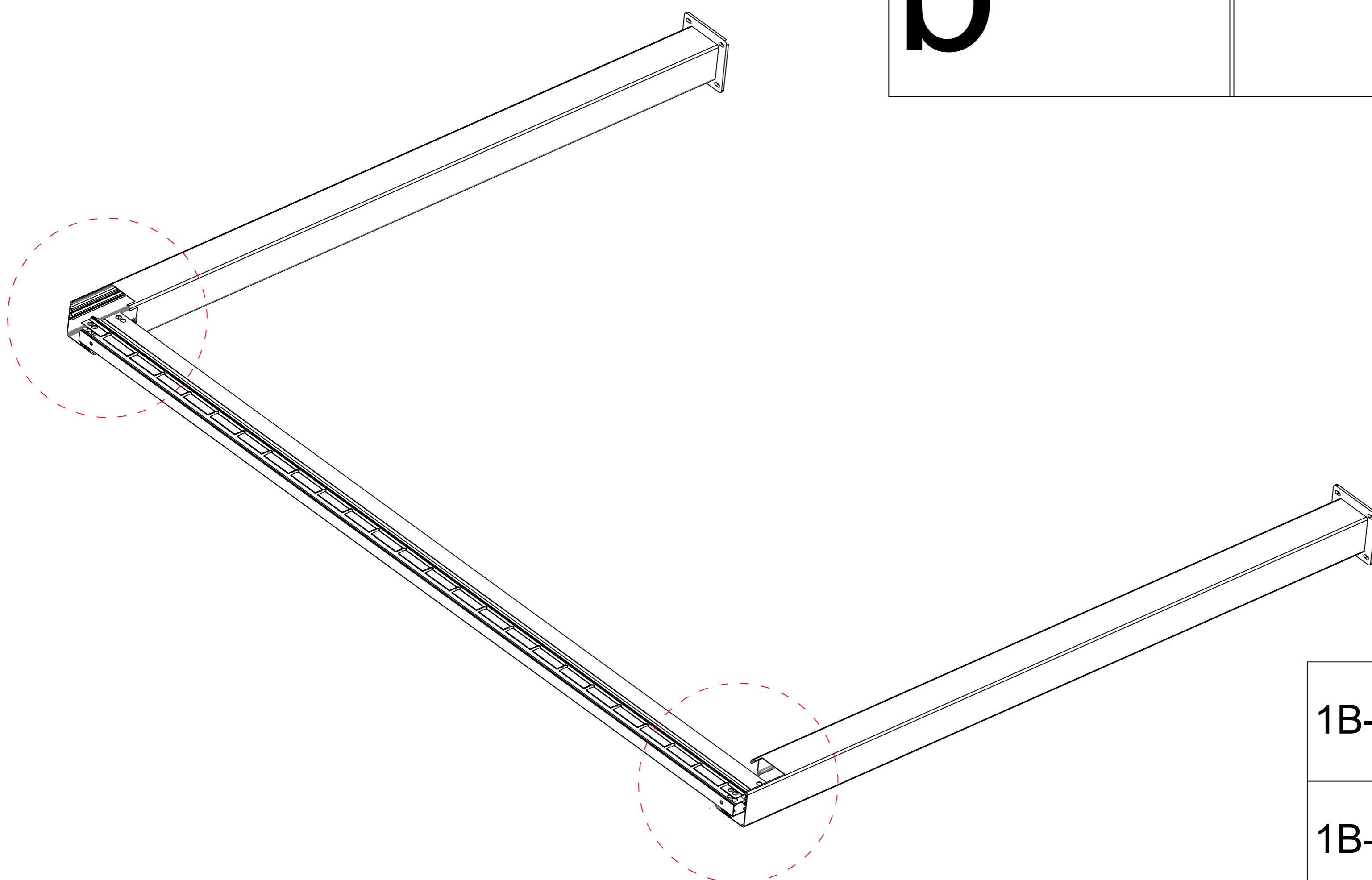
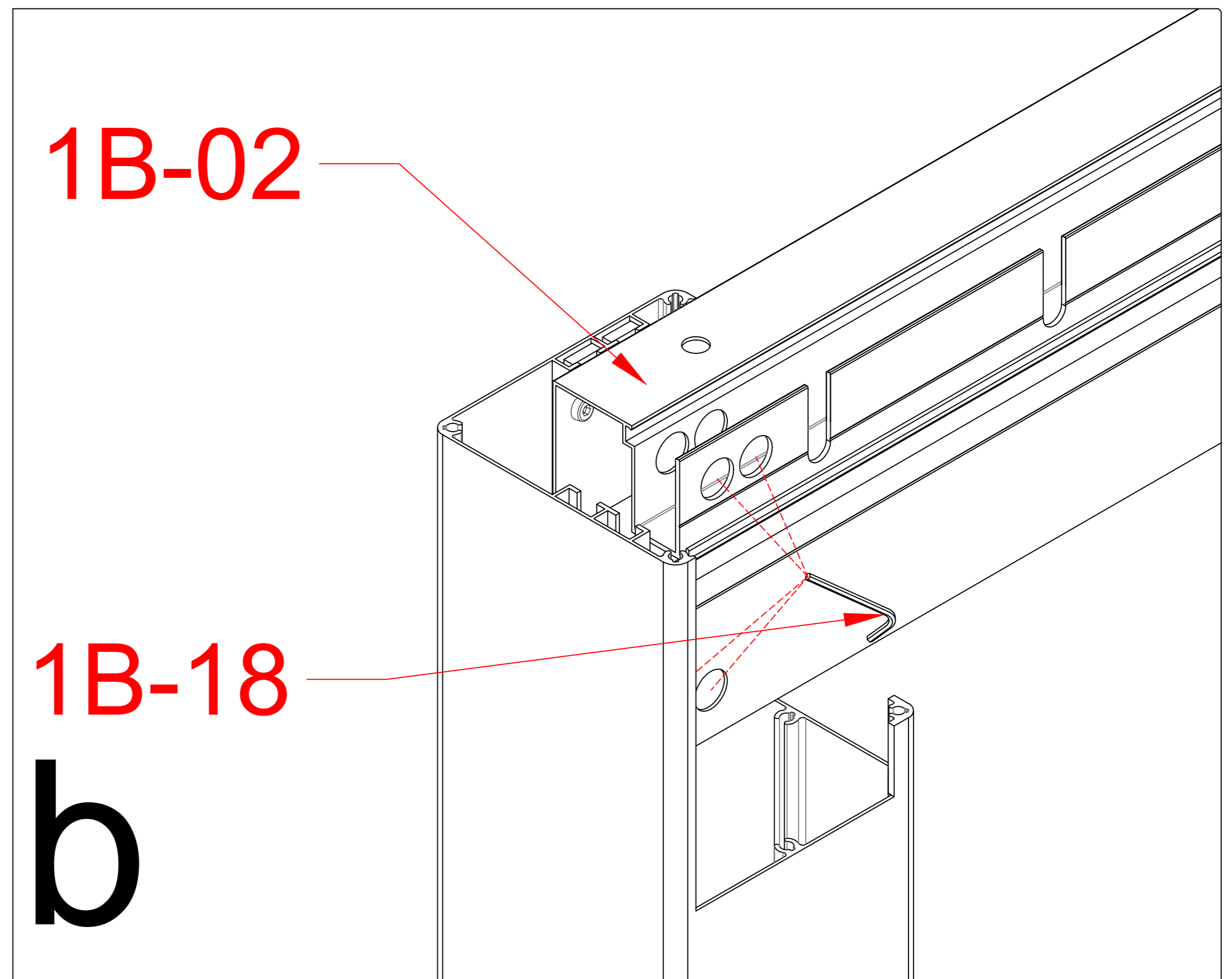
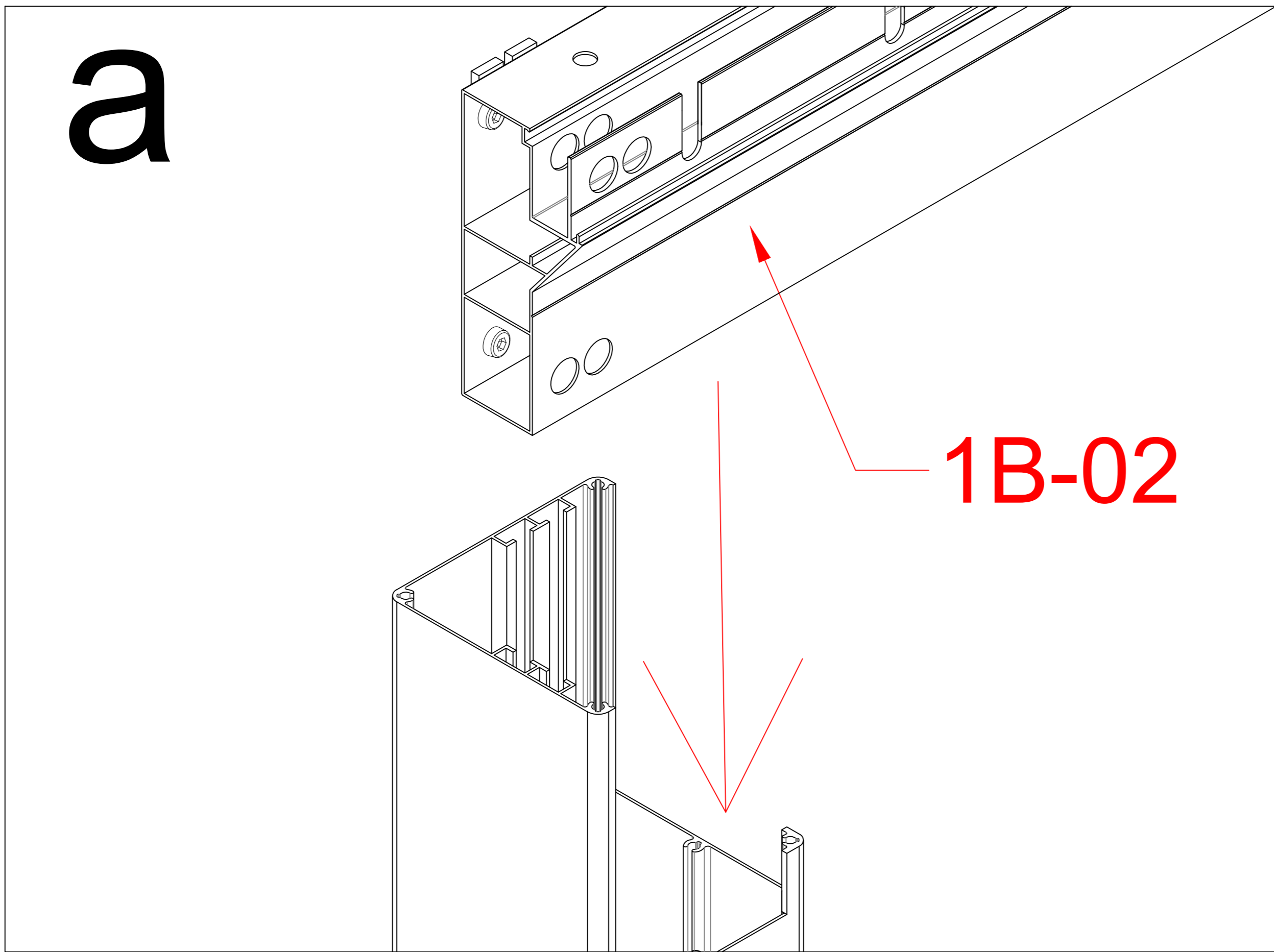
1B-27		2
1B-13B		2
1B-22		12



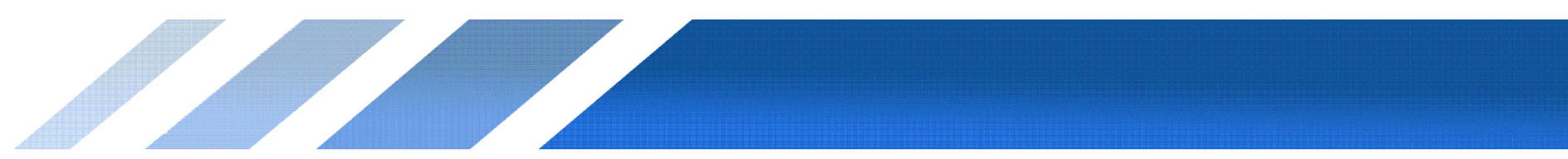


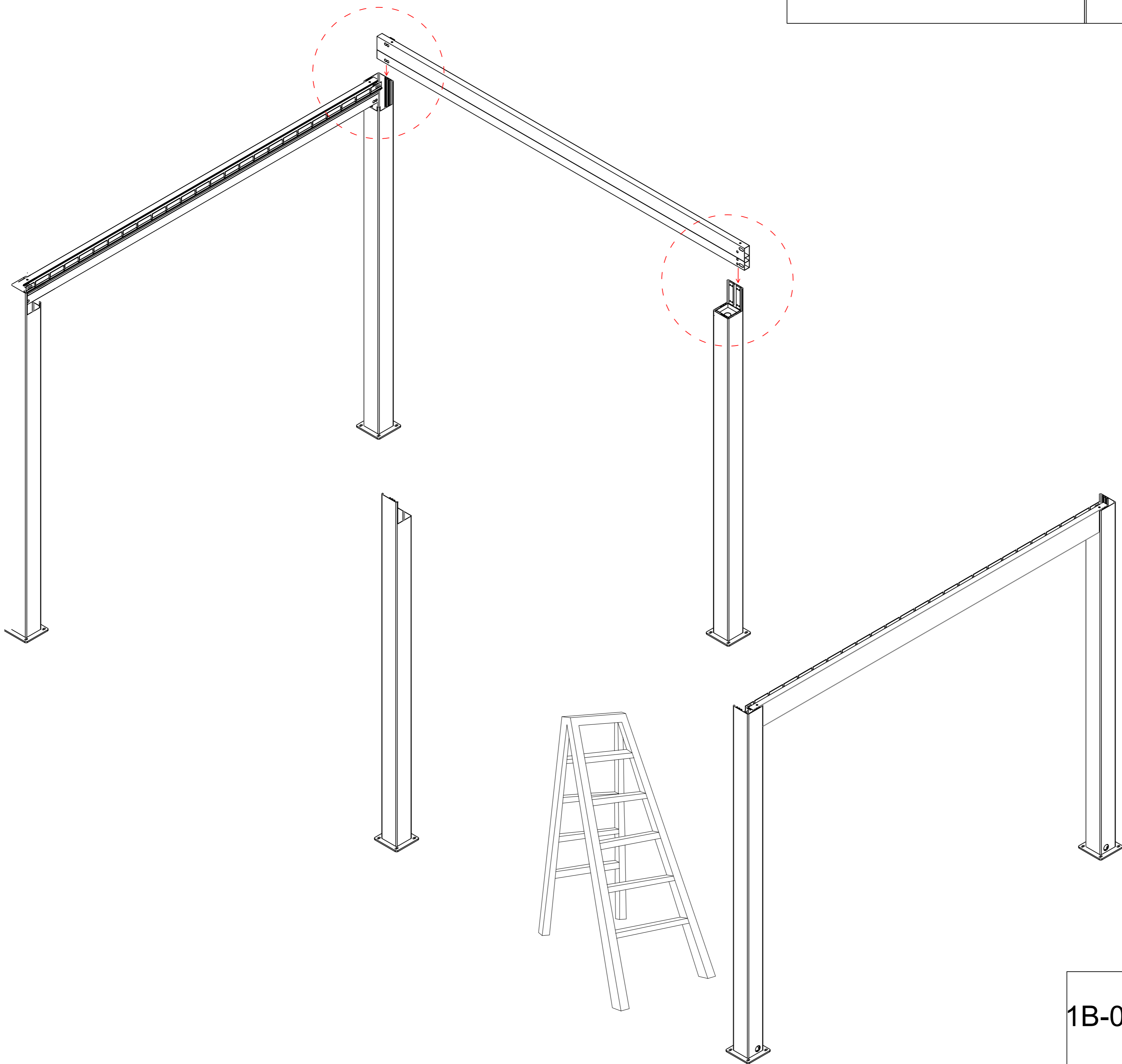
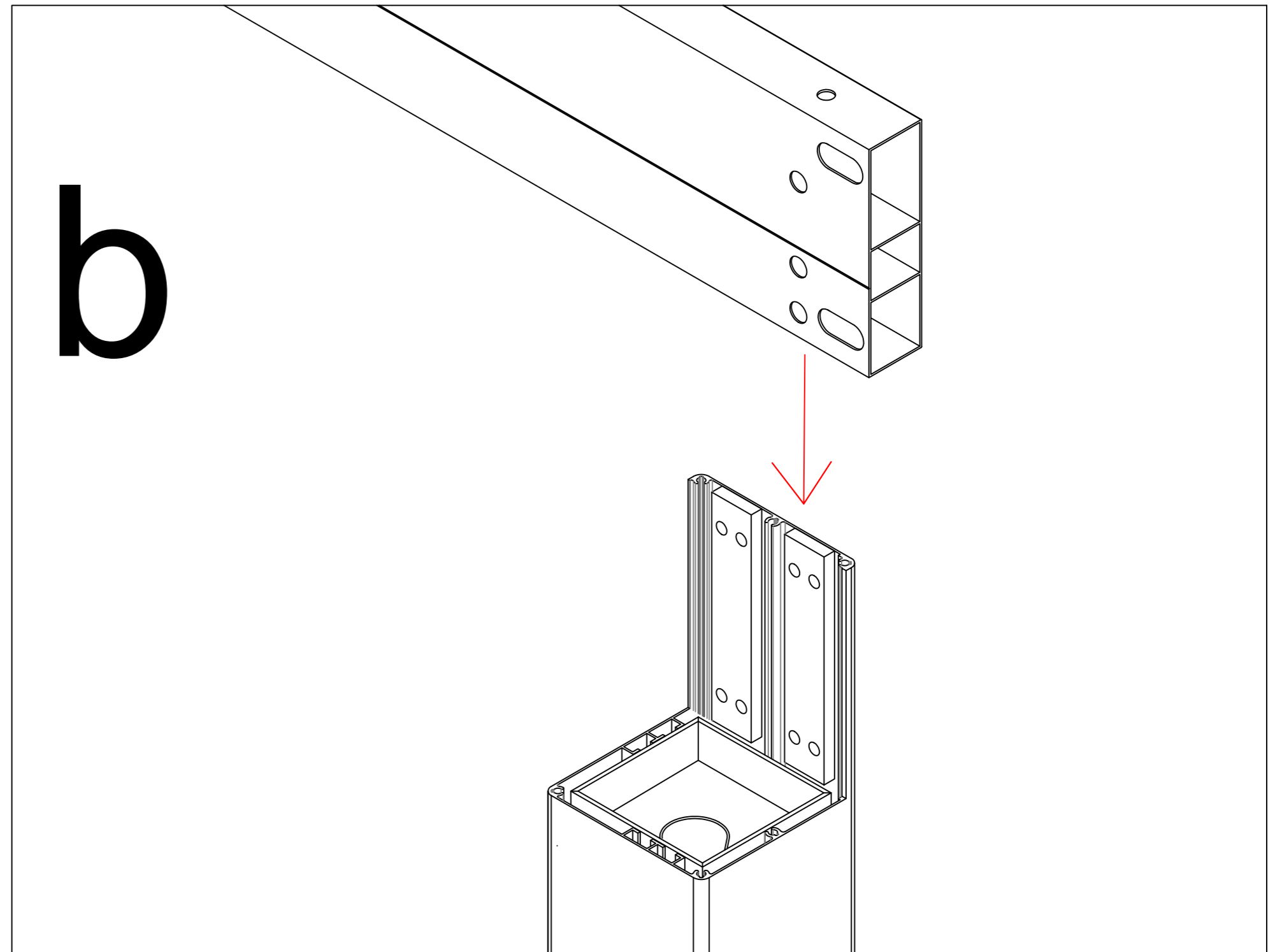
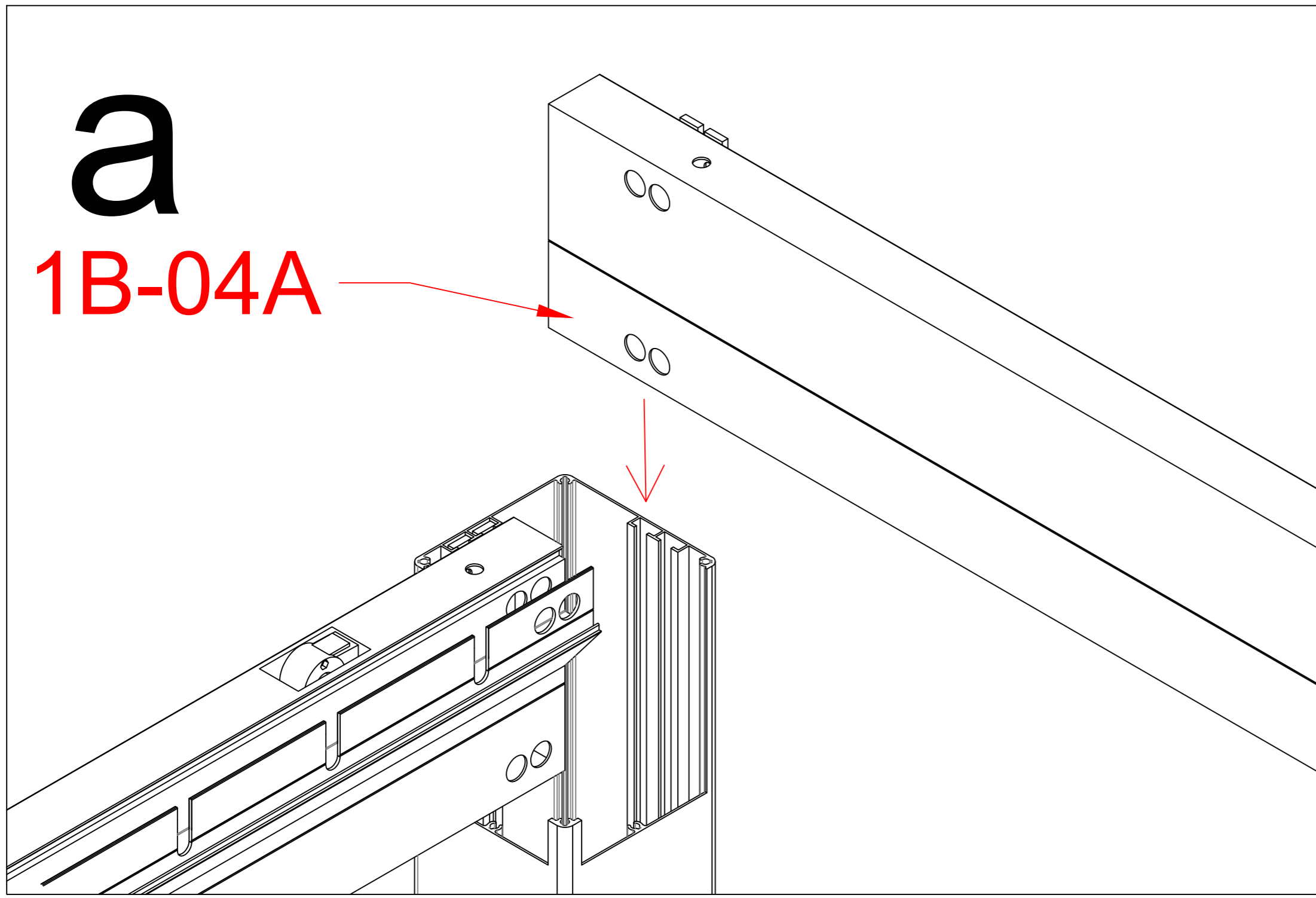
1B-03			1
1B-18			1



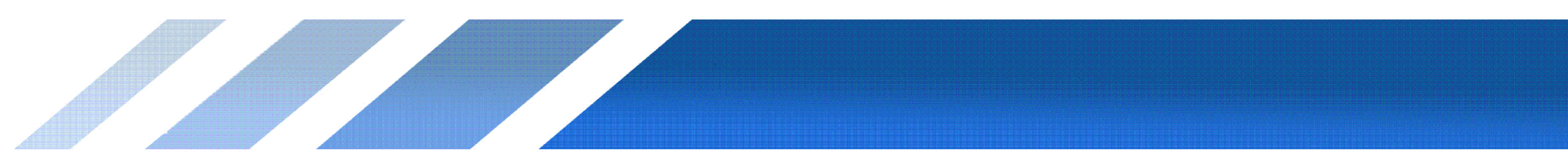


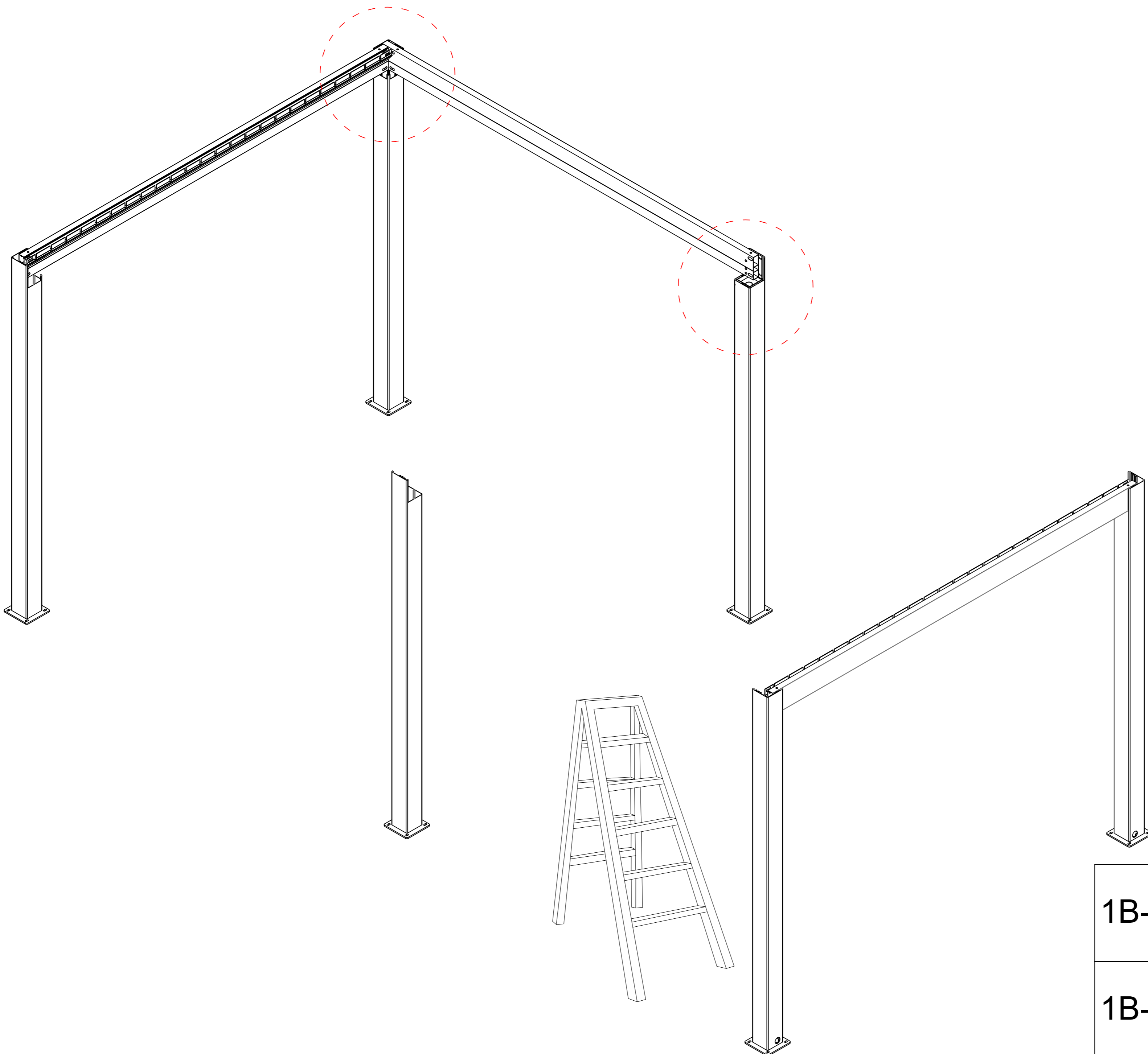
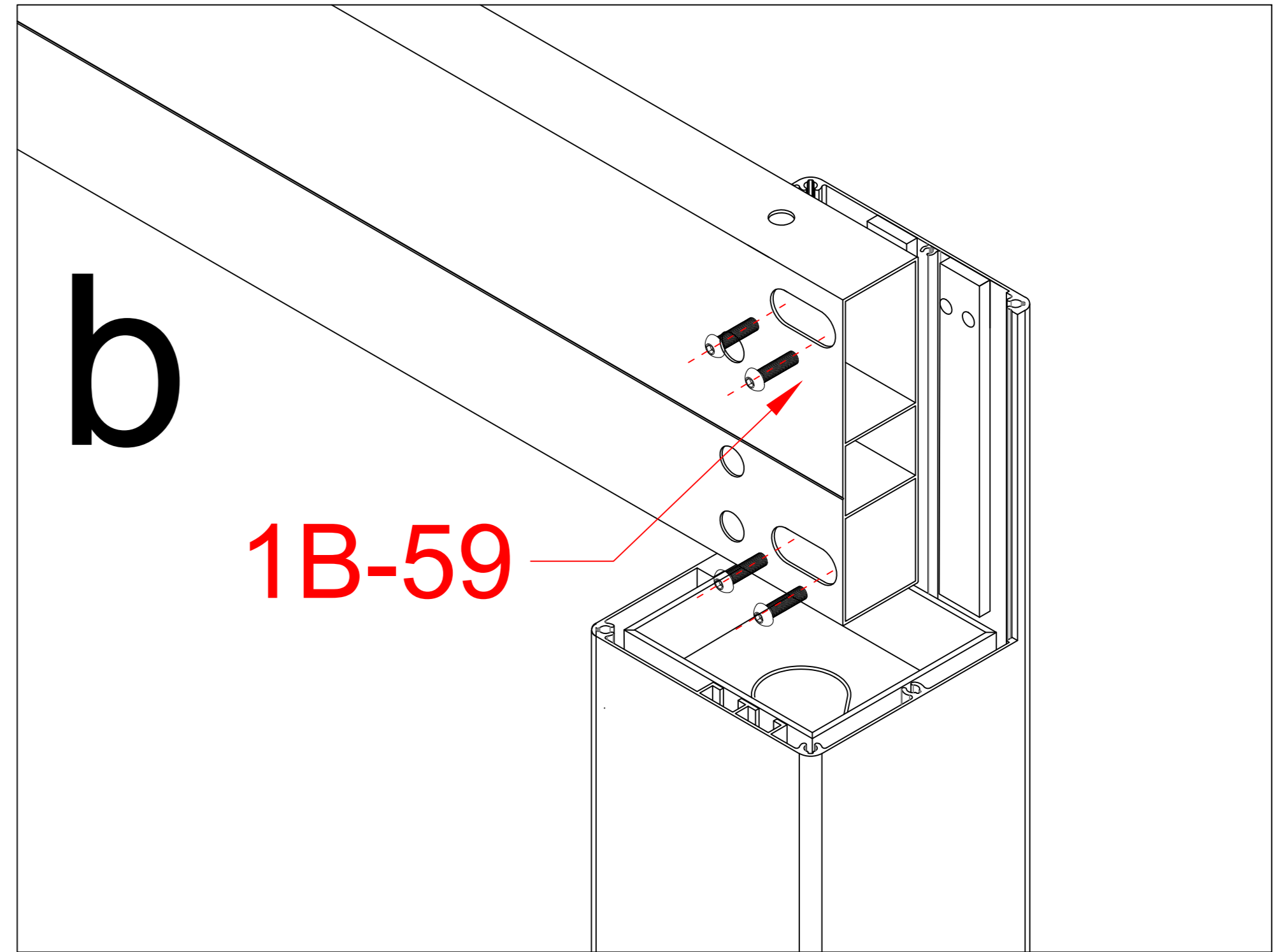
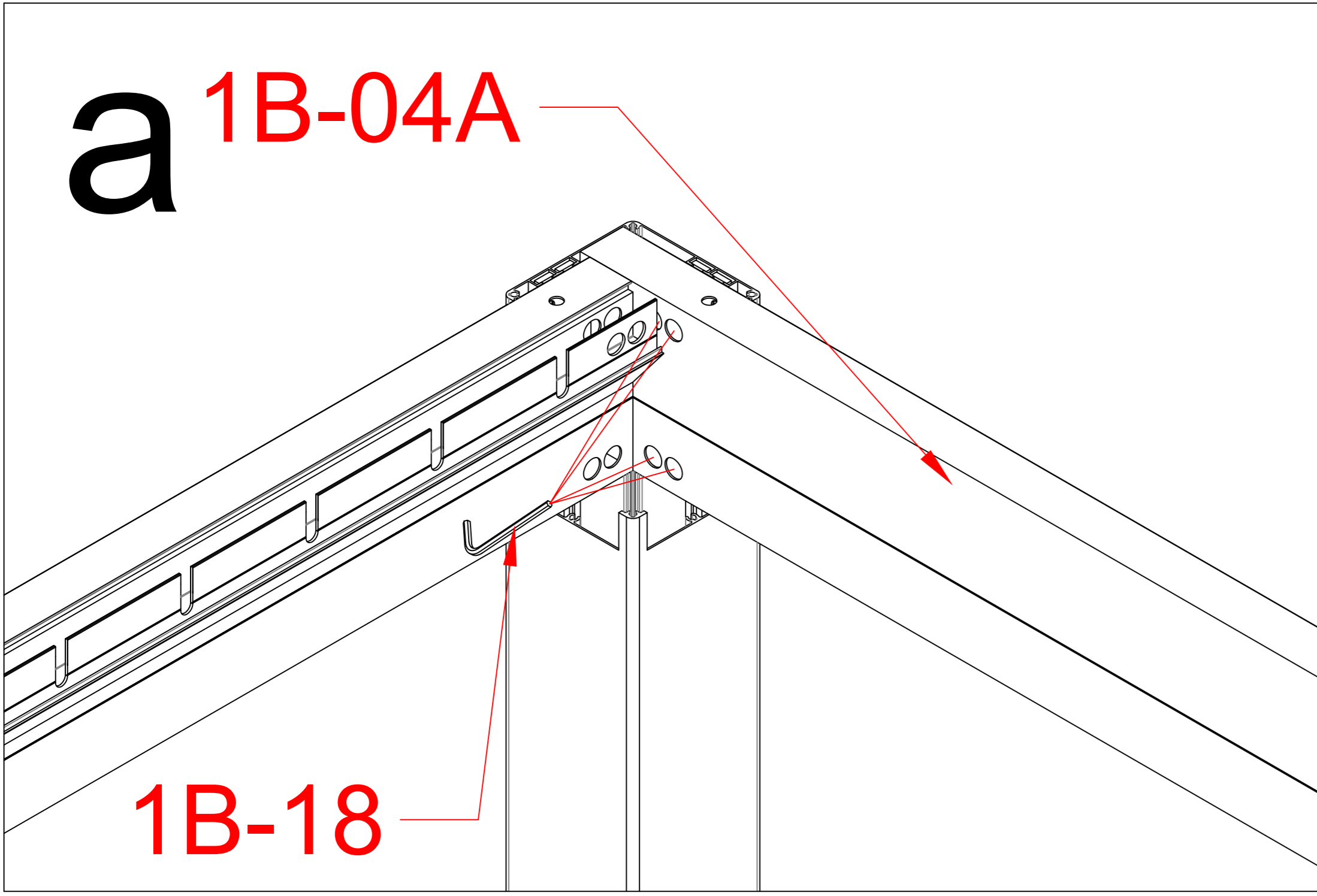
1B-02			1
1B-18			1

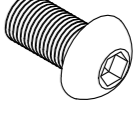



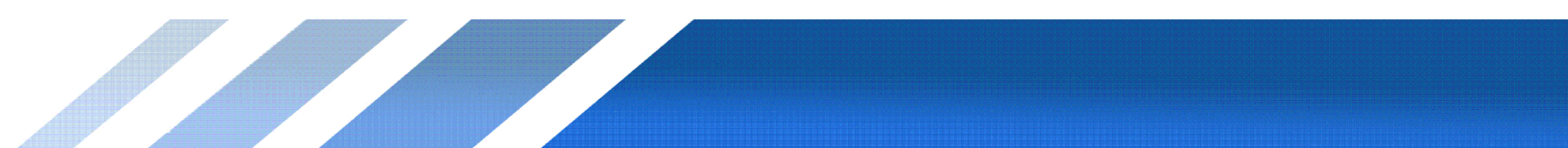


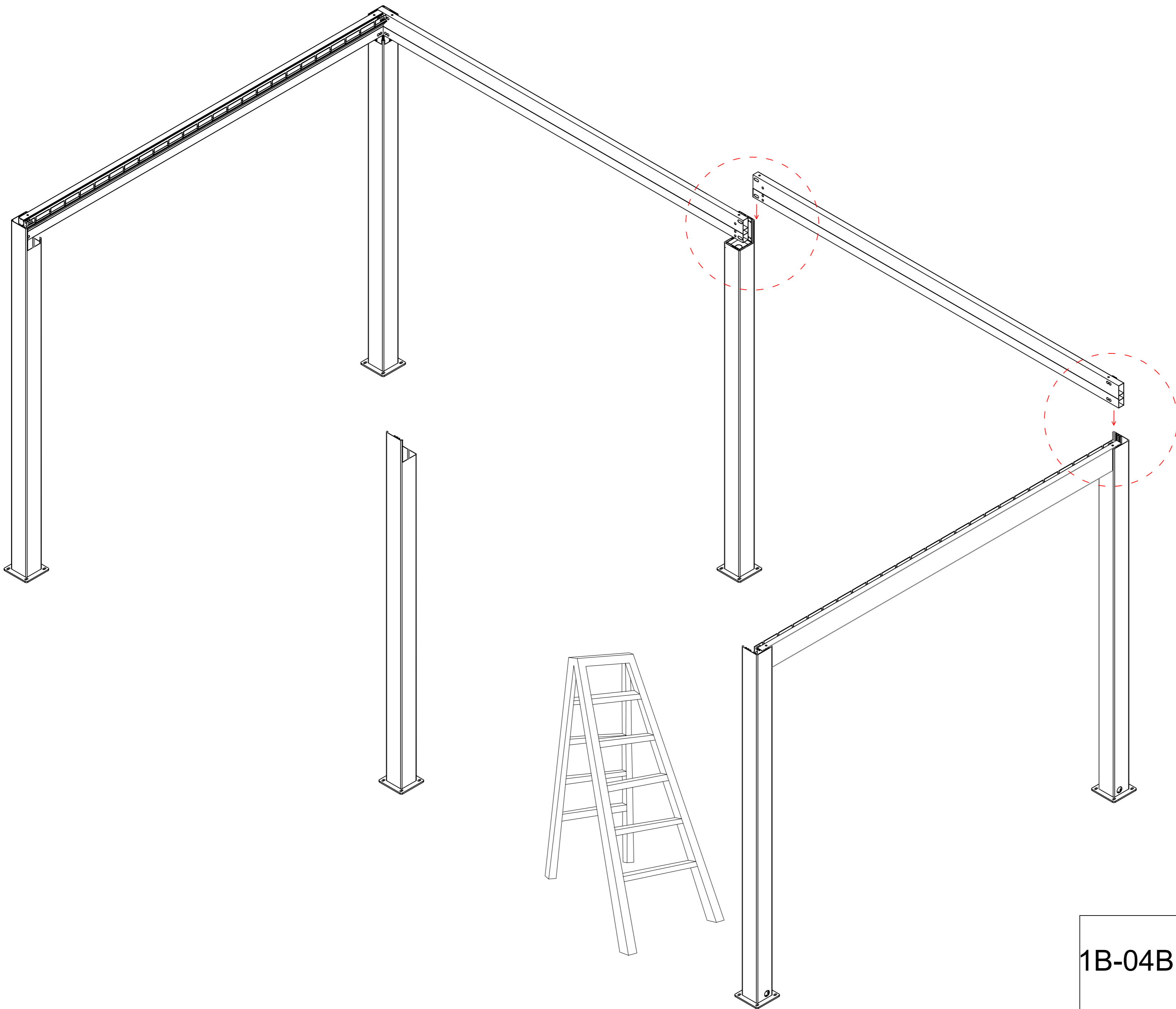
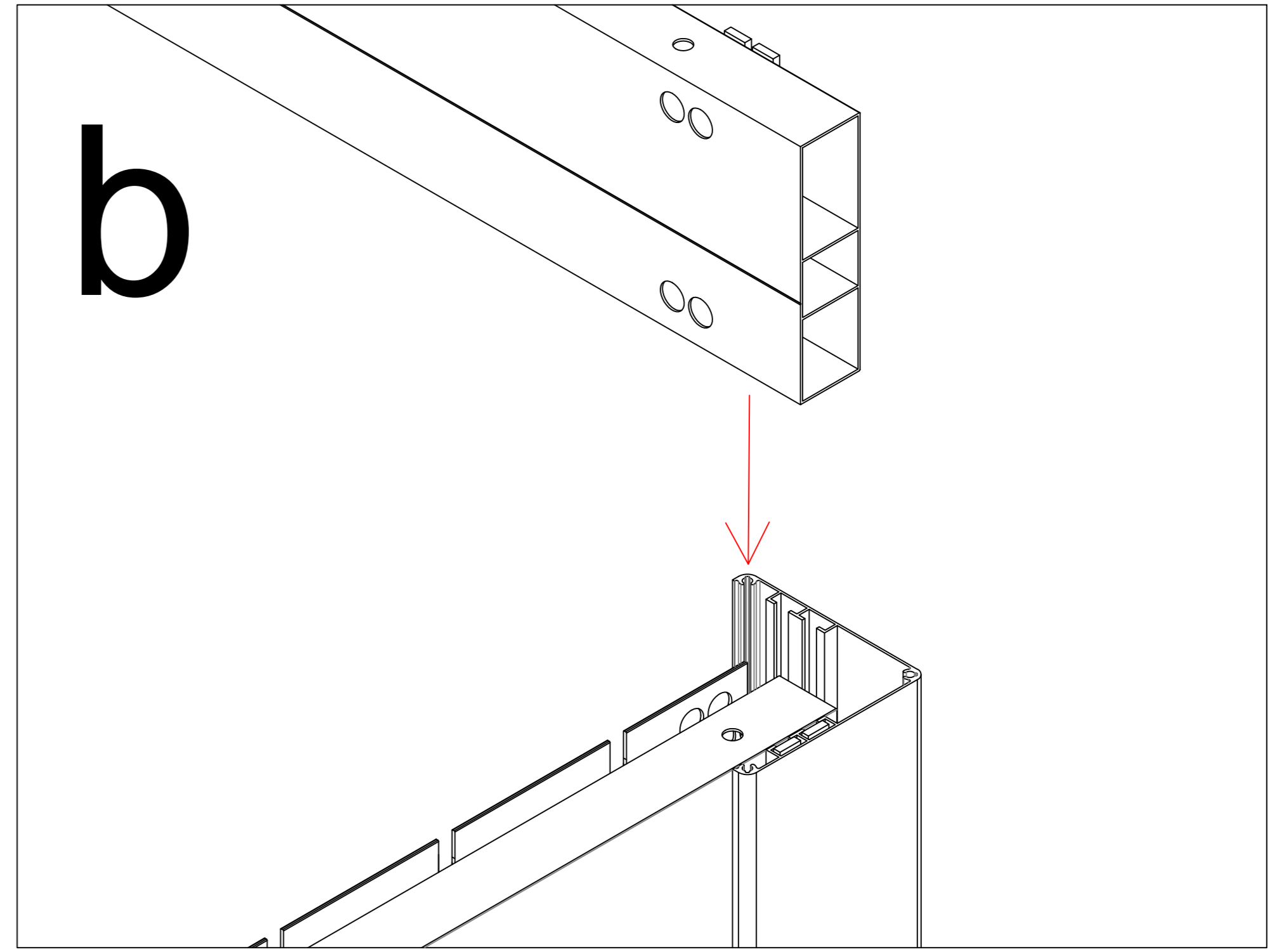
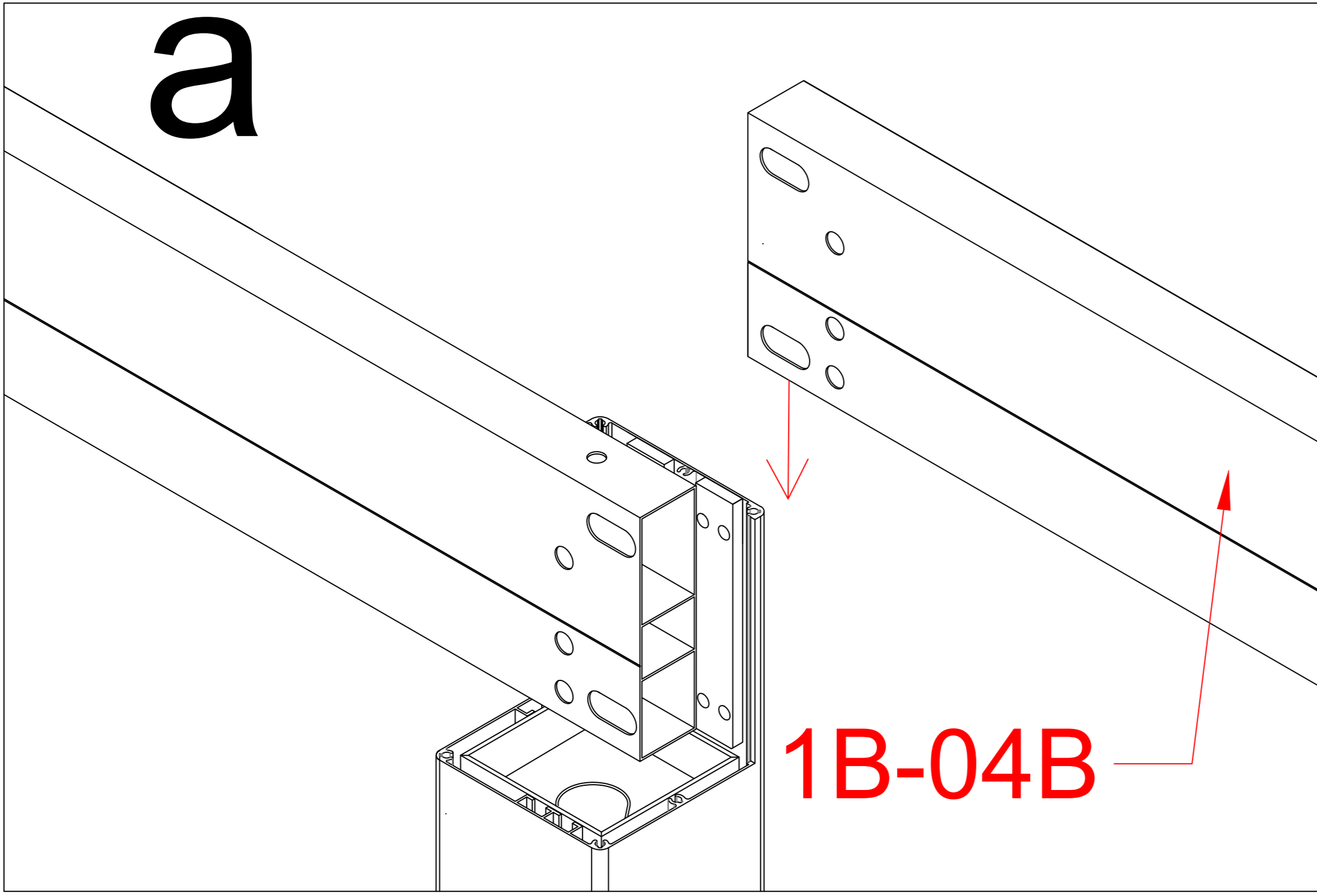
1B-04A		1
--------	--	---



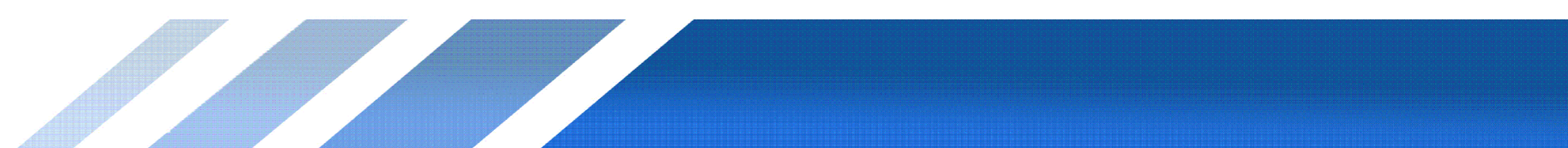


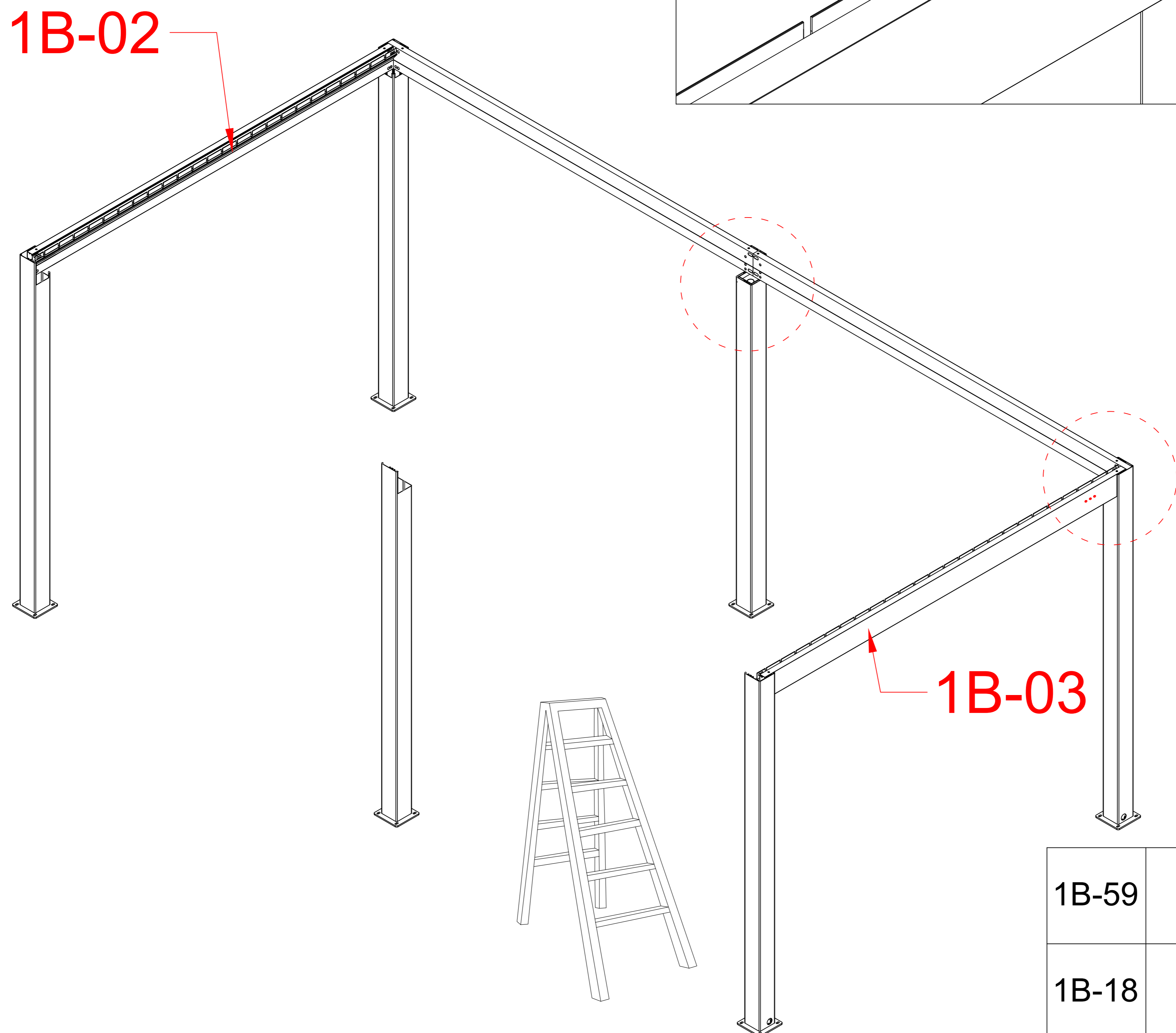
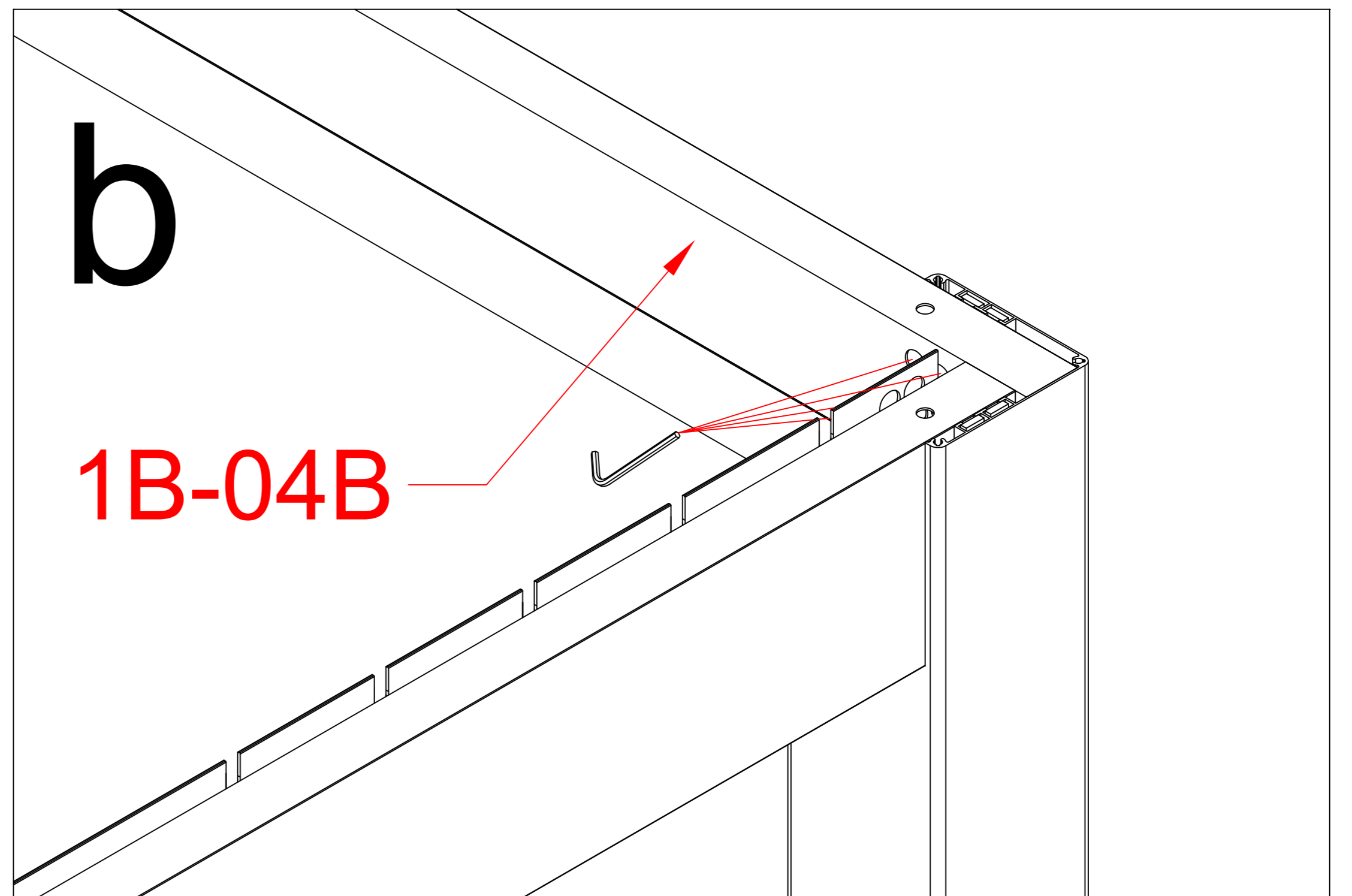
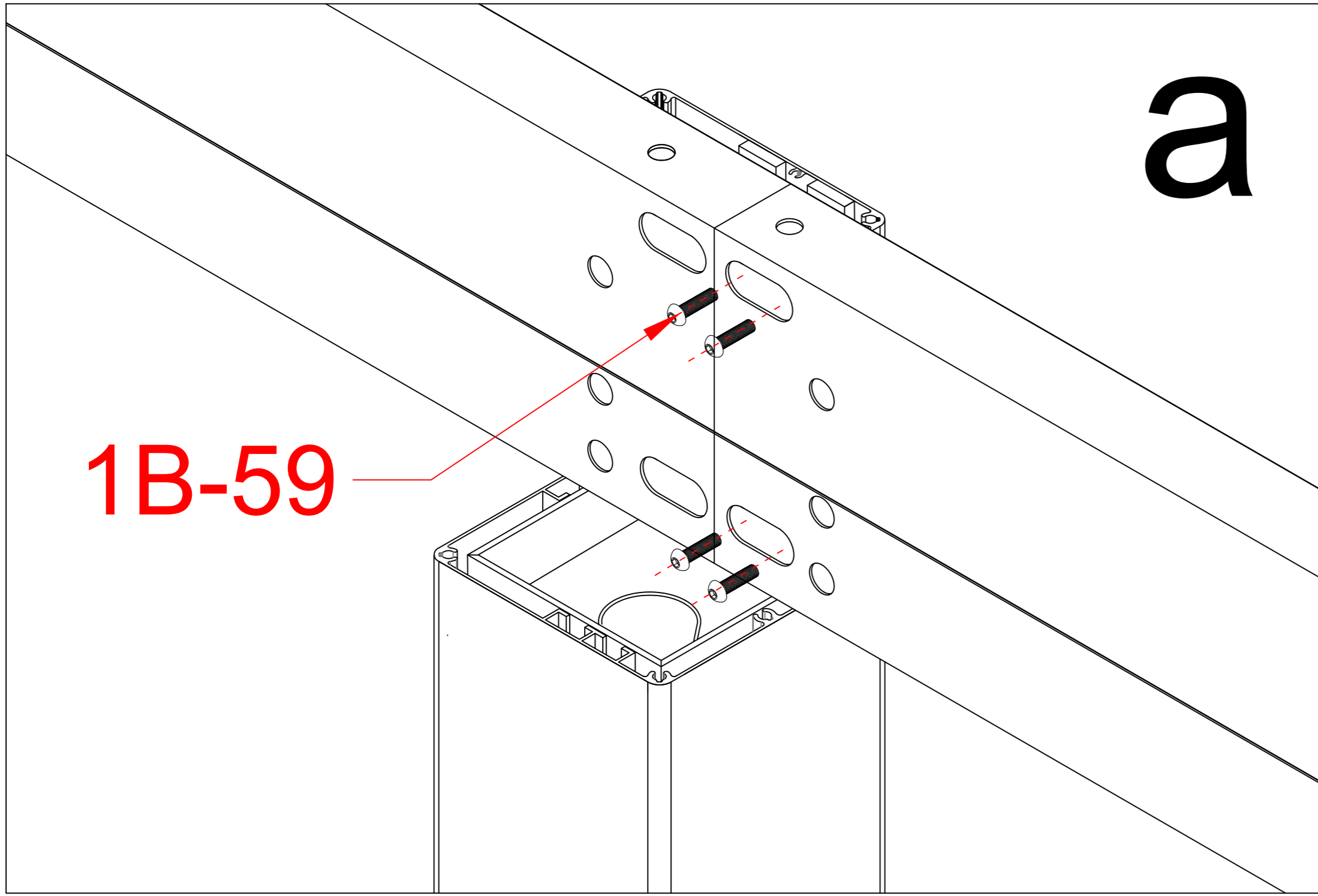
1B-59		4
1B-18		1

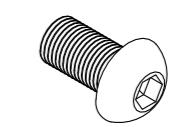



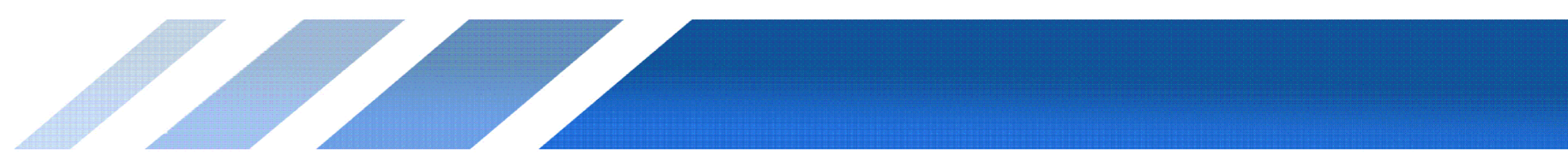


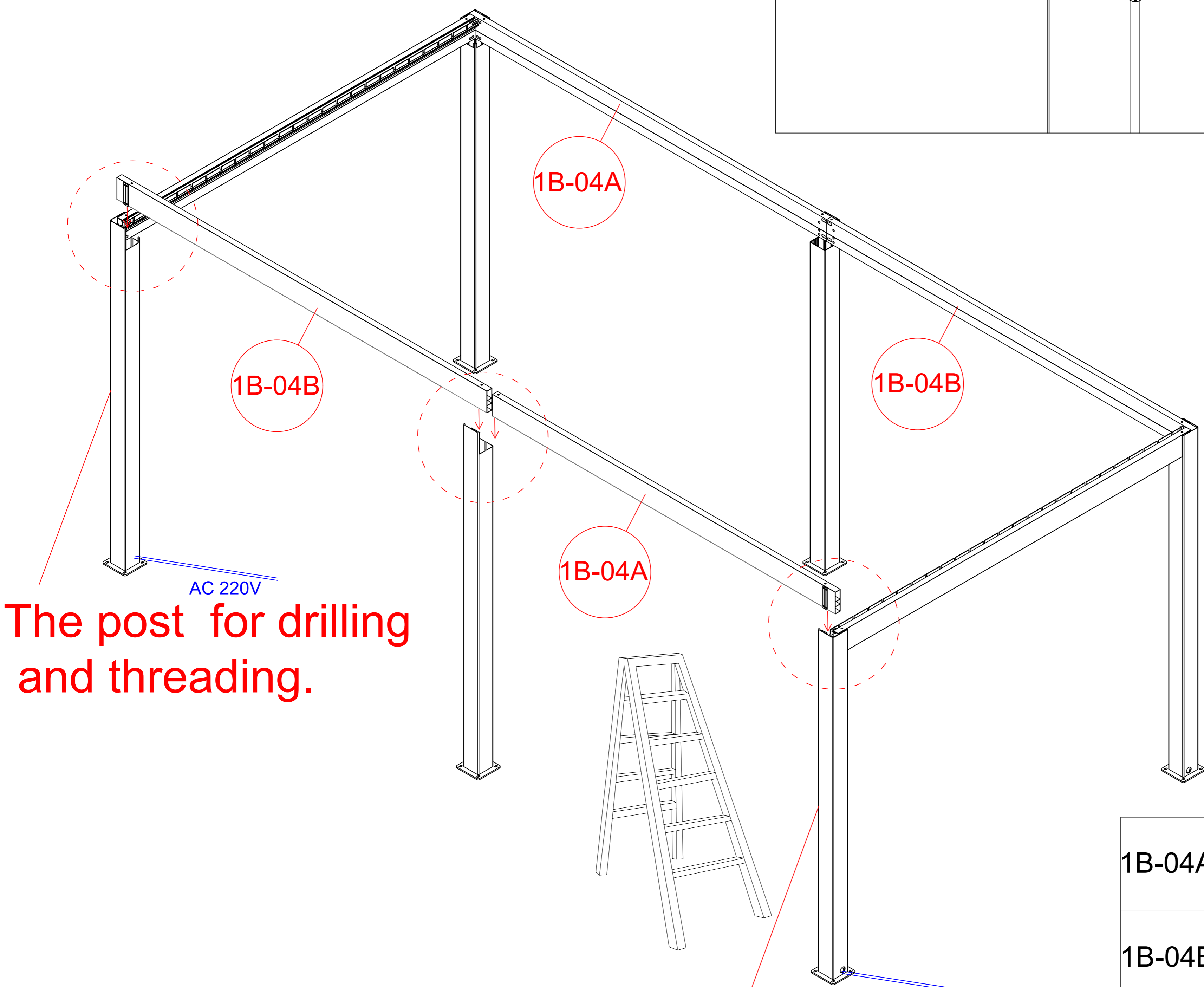
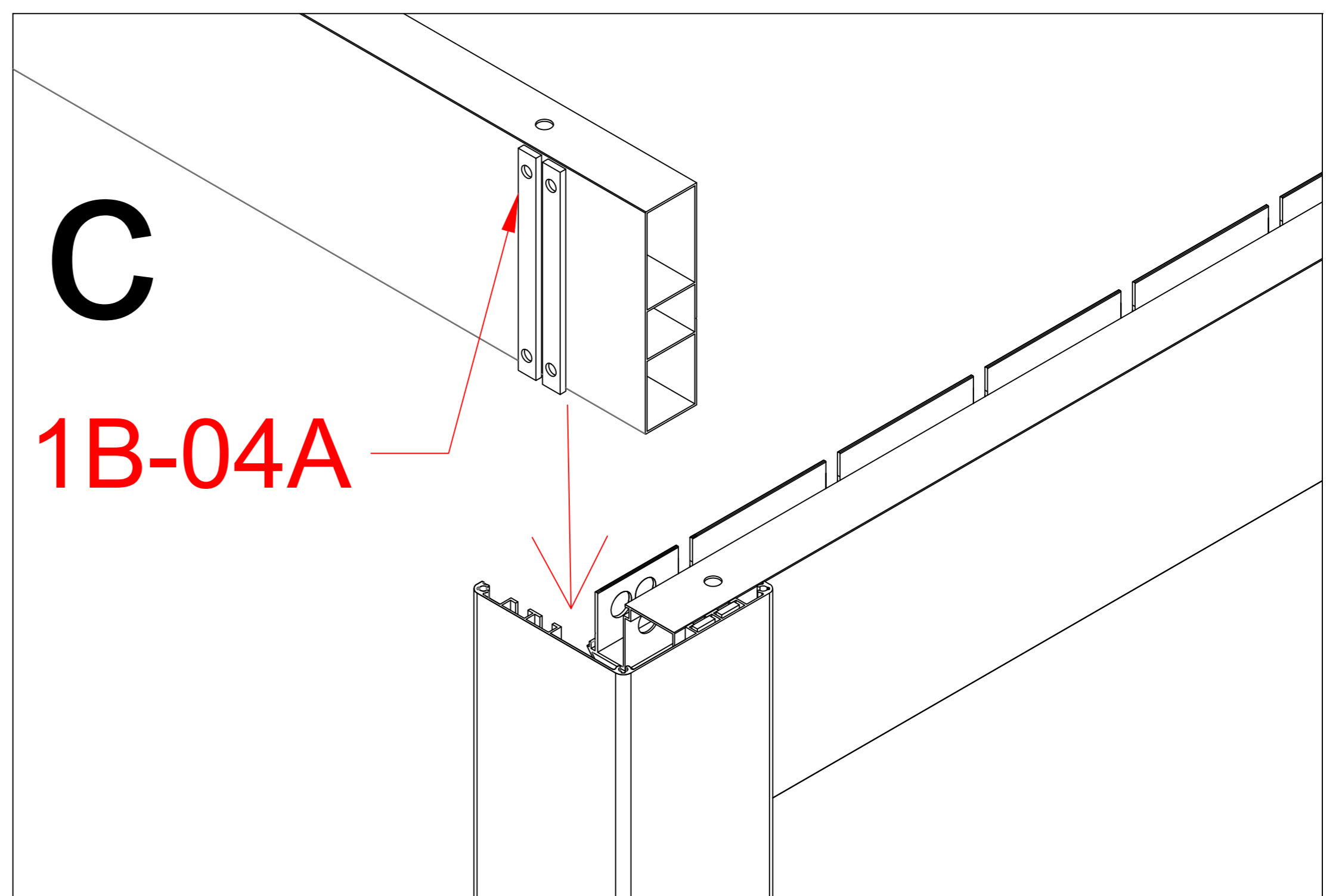
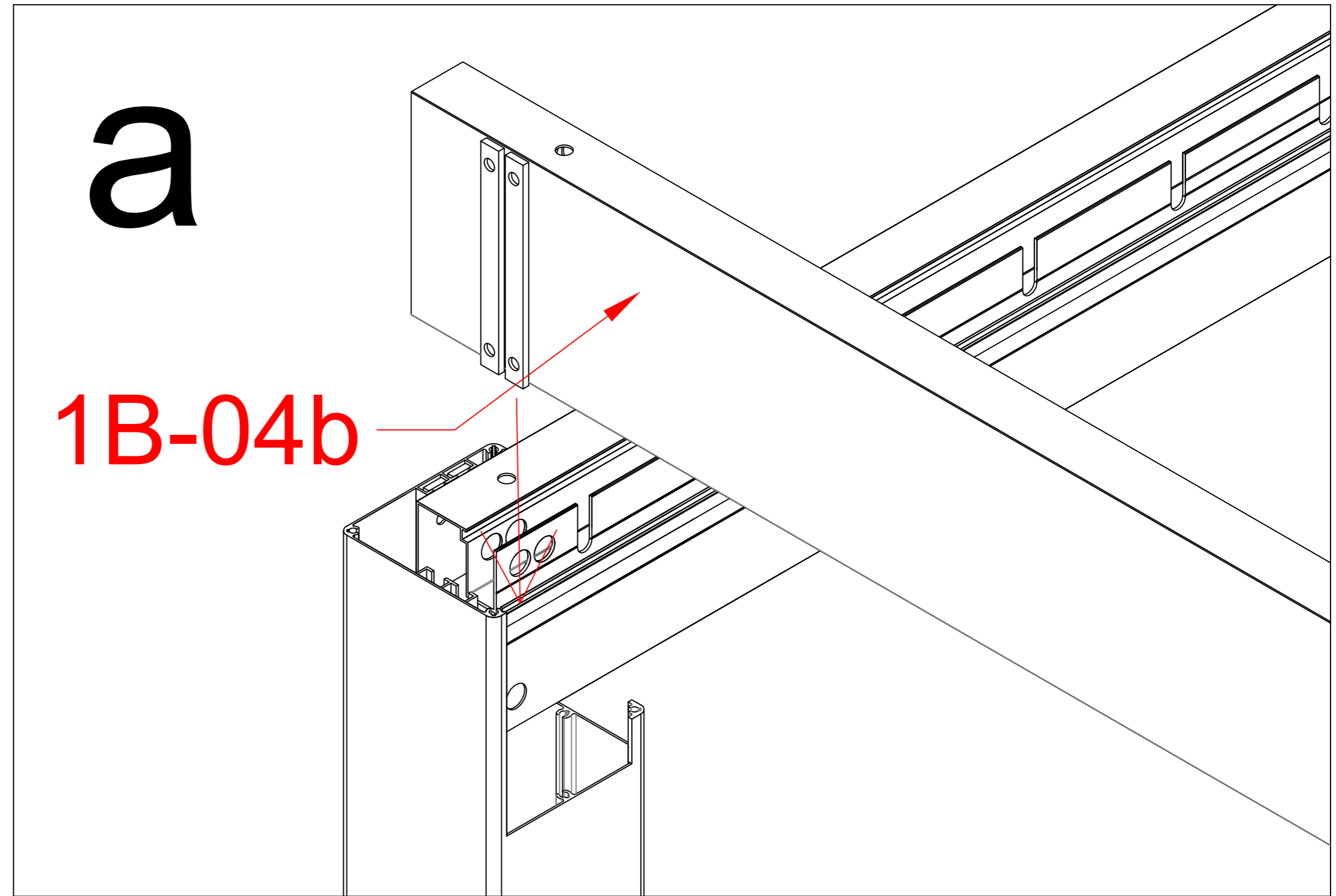
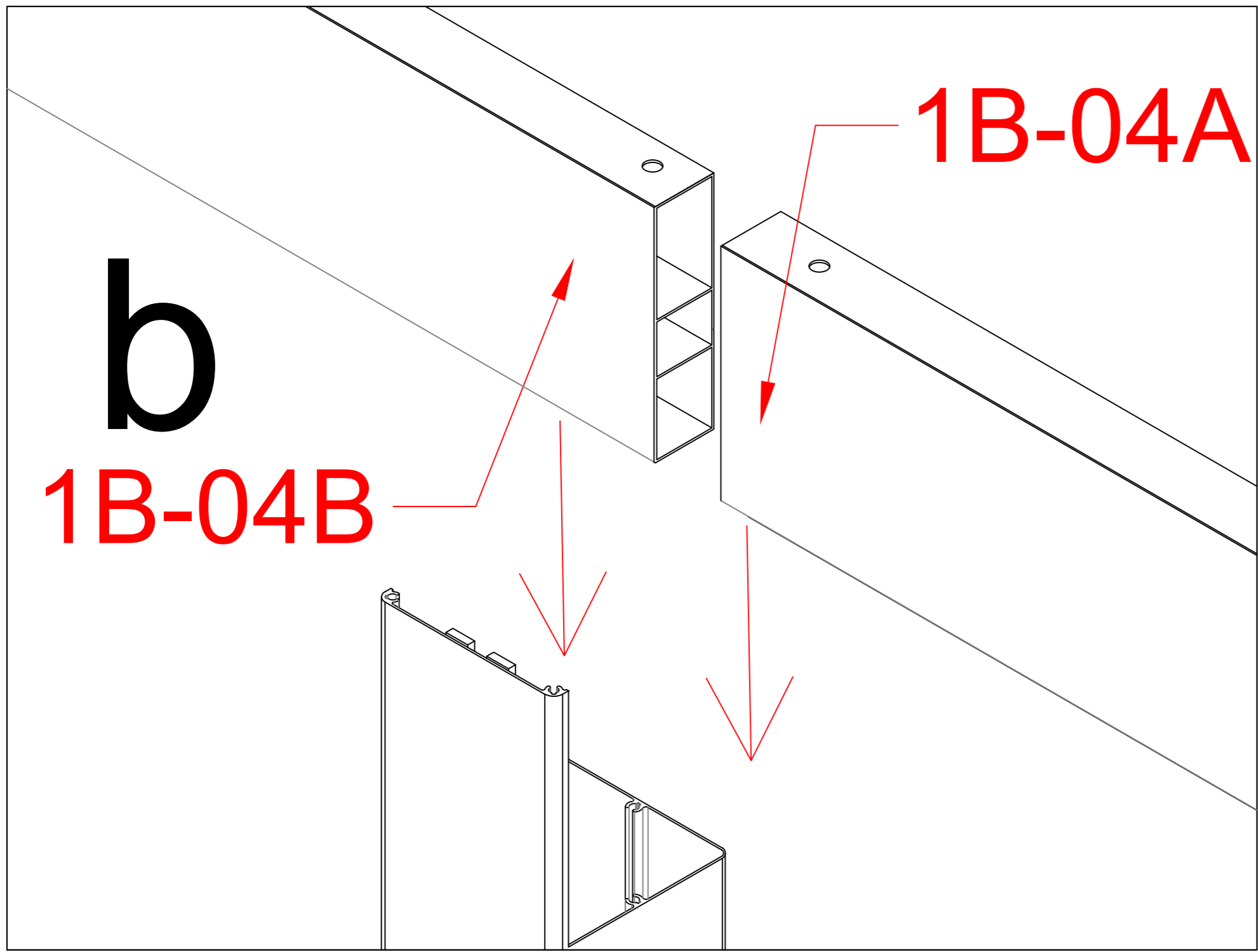
1B-04B		1
--------	--	---





1B-59		4
1B-18		1

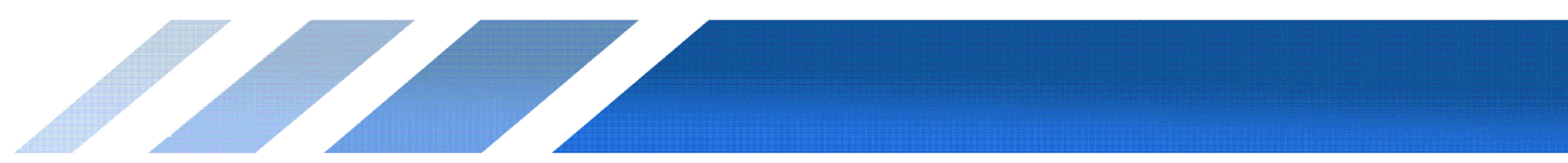


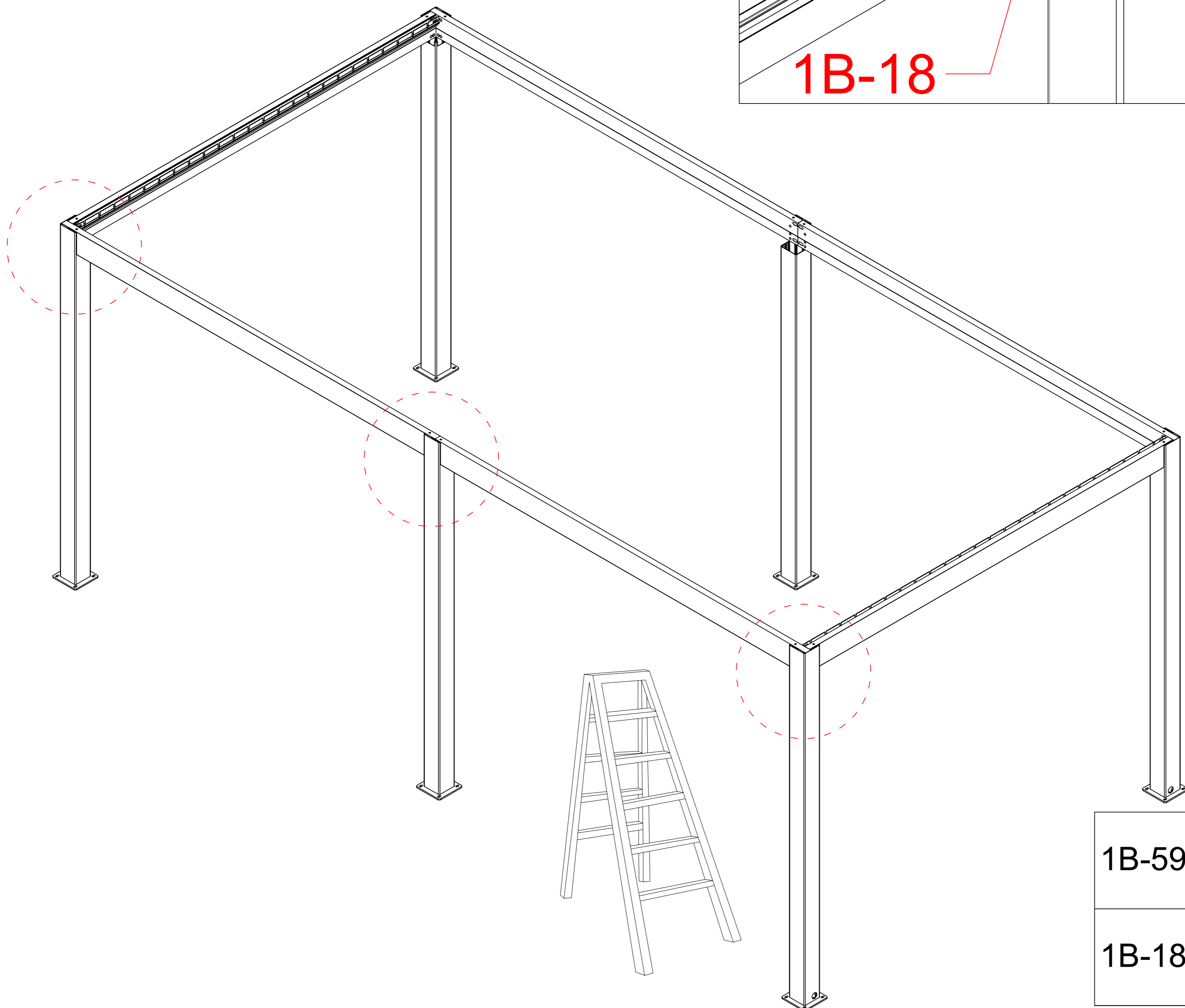
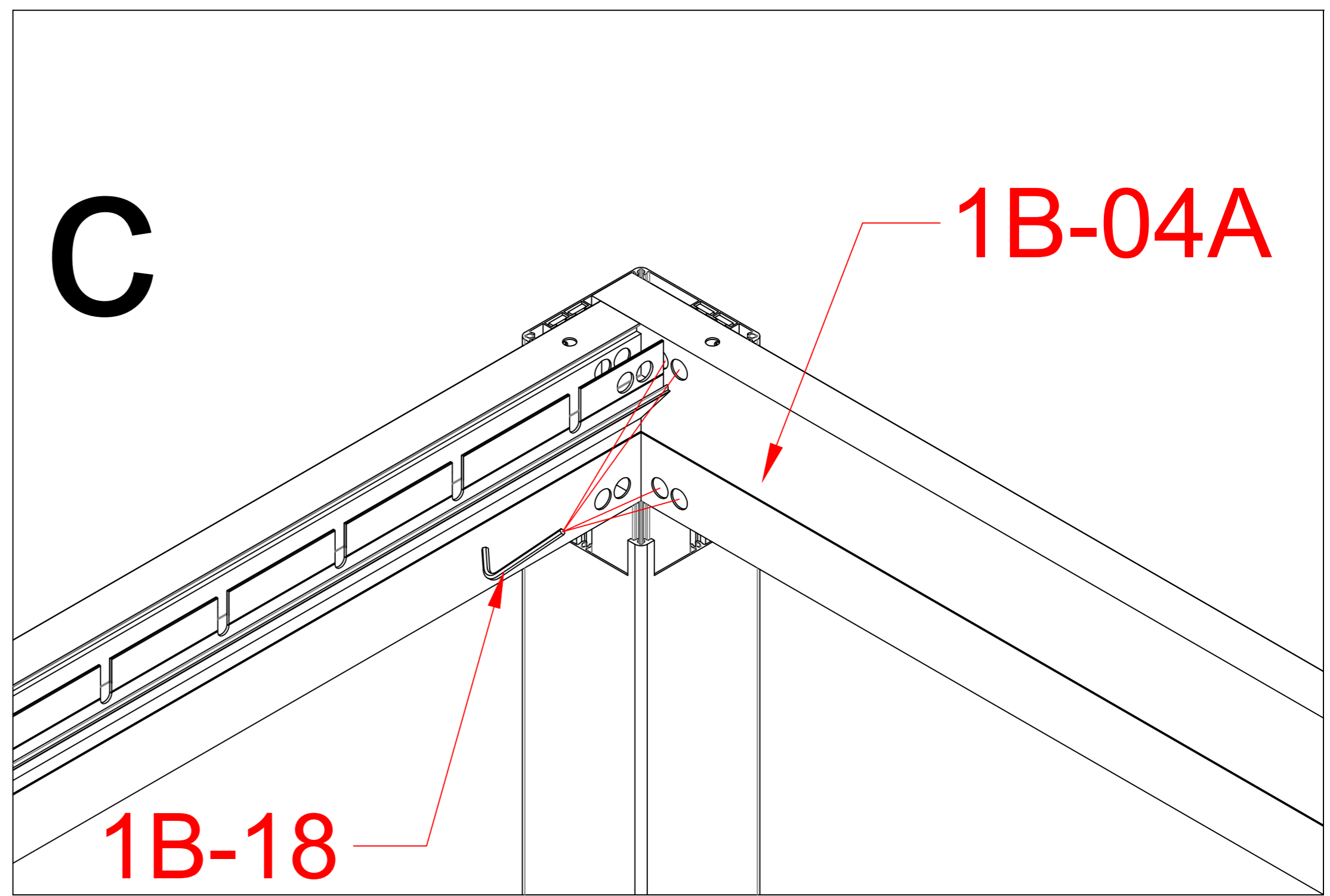
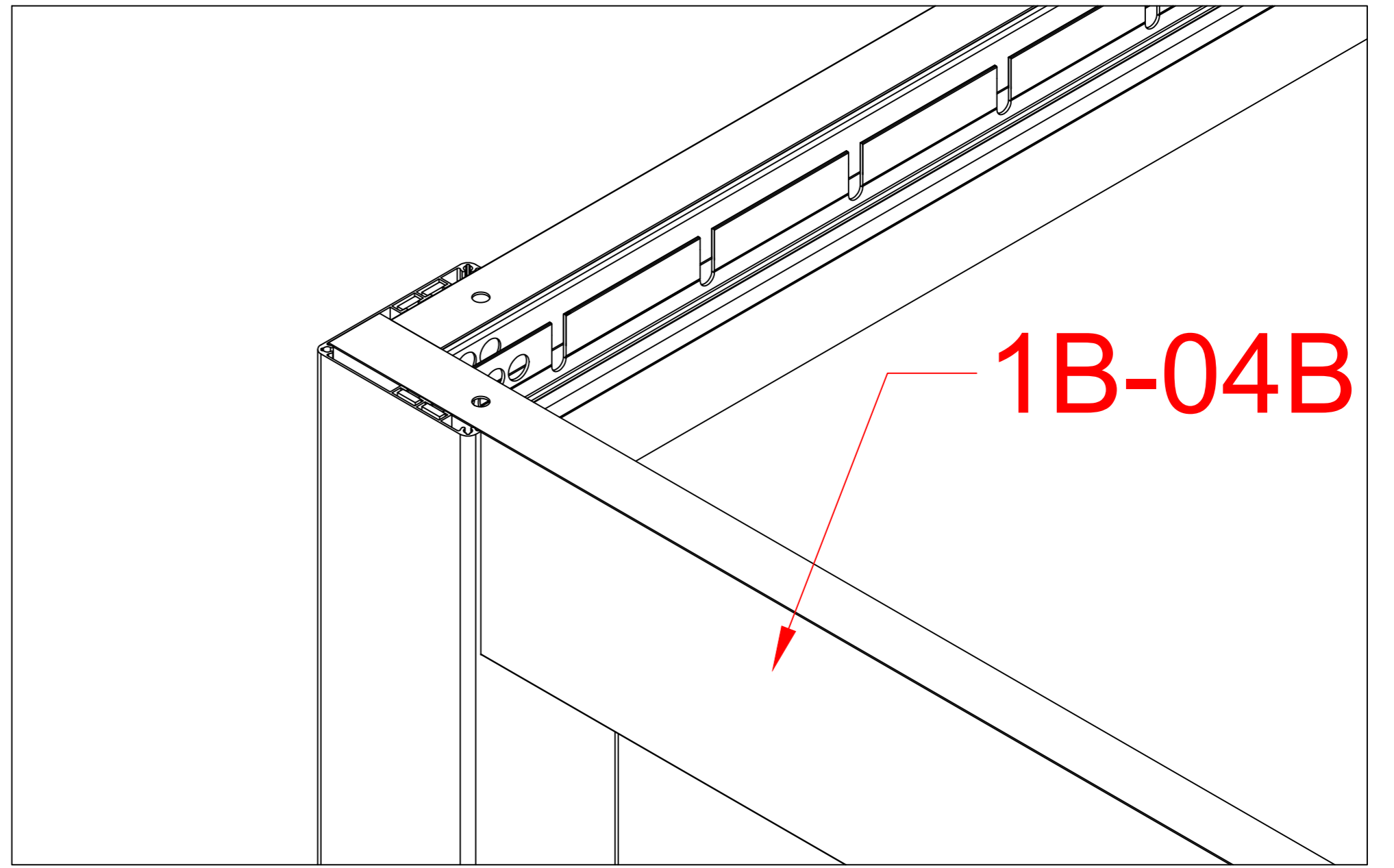
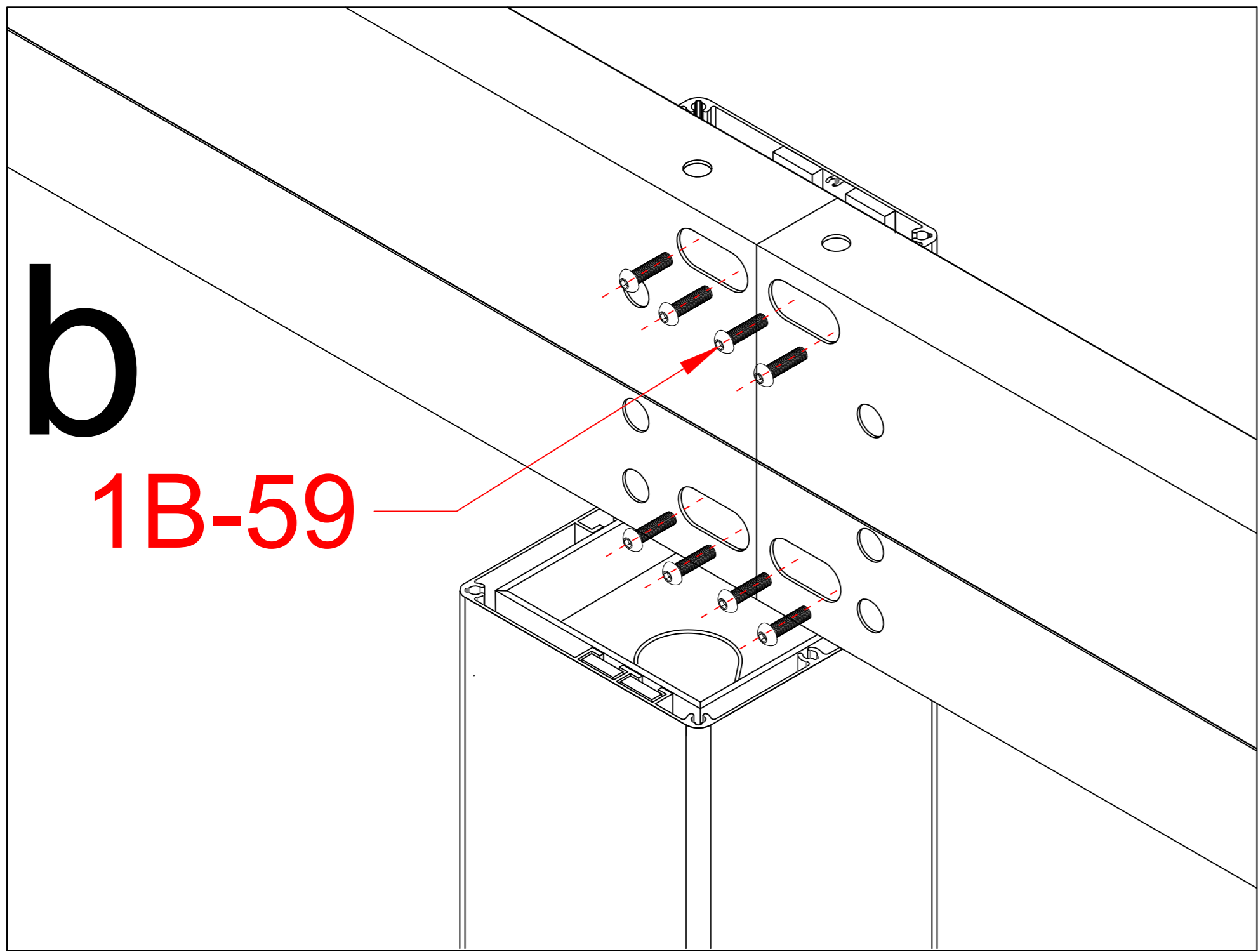


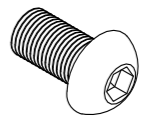

The post for drilling and threading.

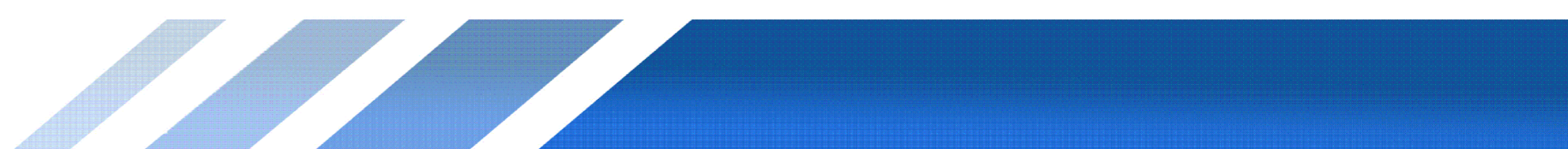
The post for drilling and threading. 11

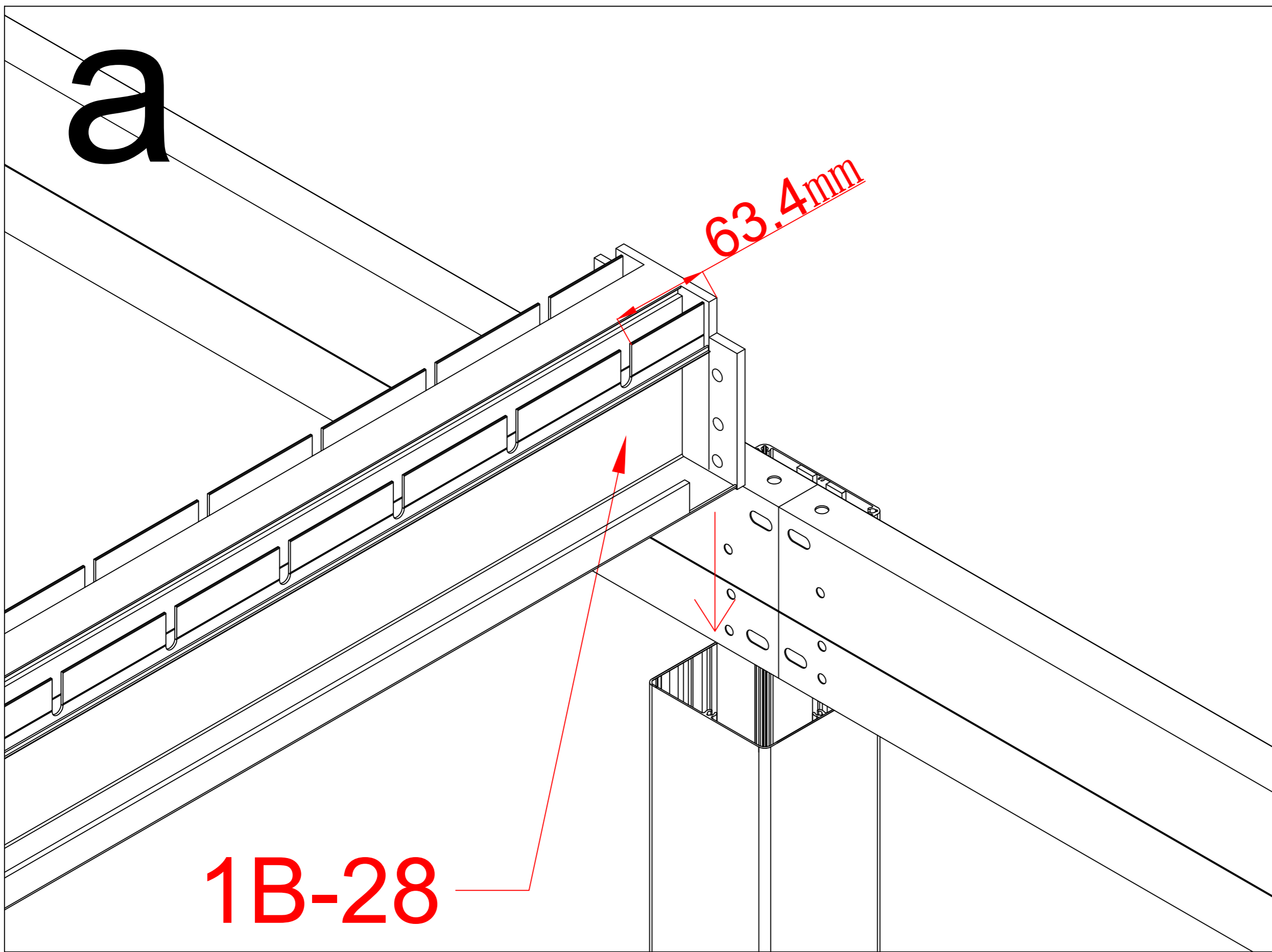
1B-04A		1
1B-04B		1



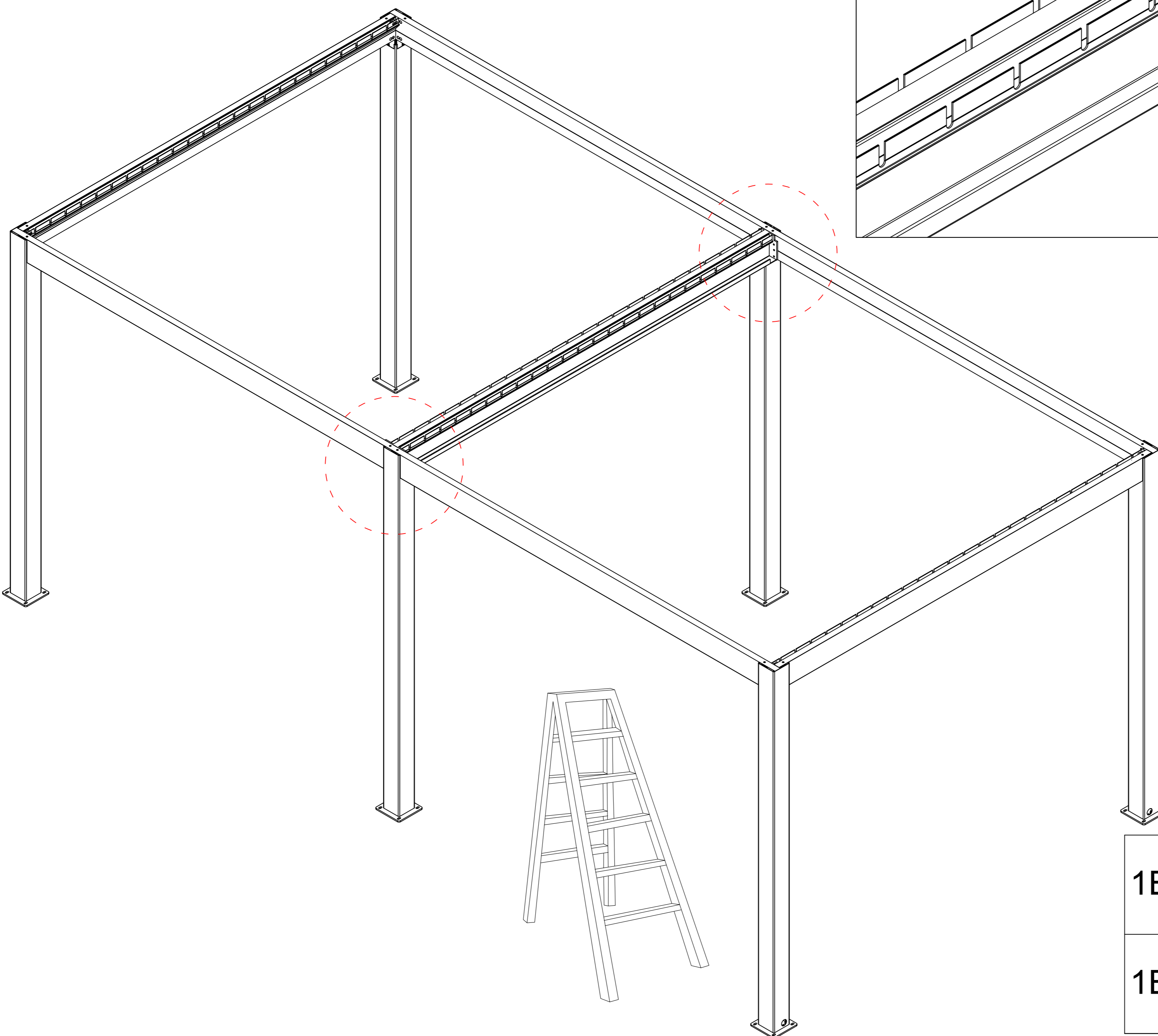
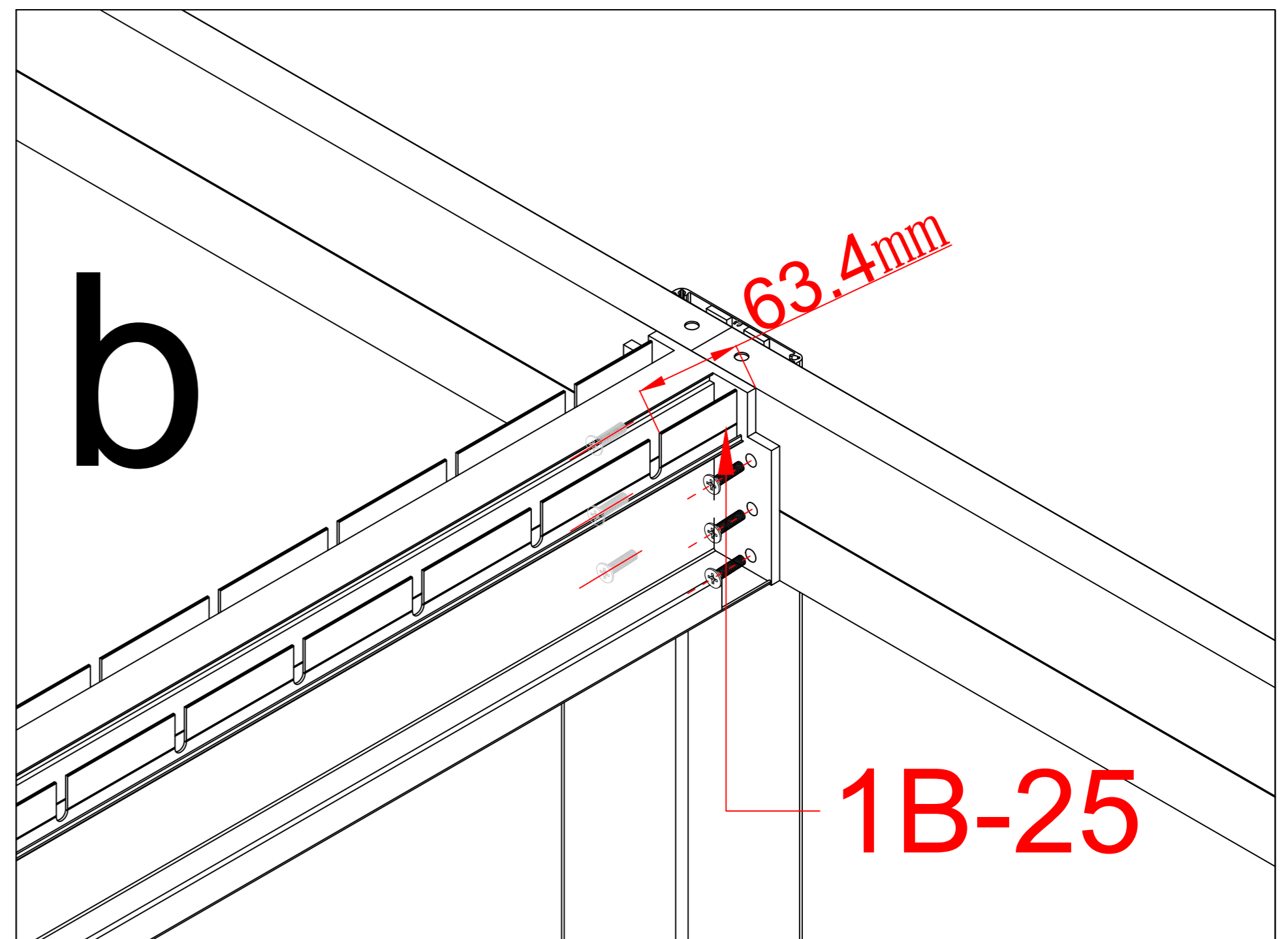


1B-59		8
1B-18		1

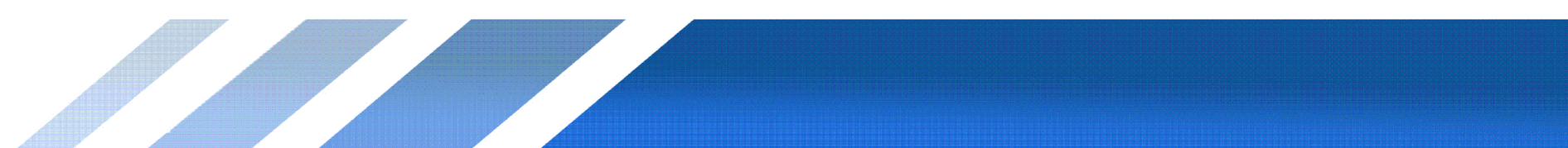


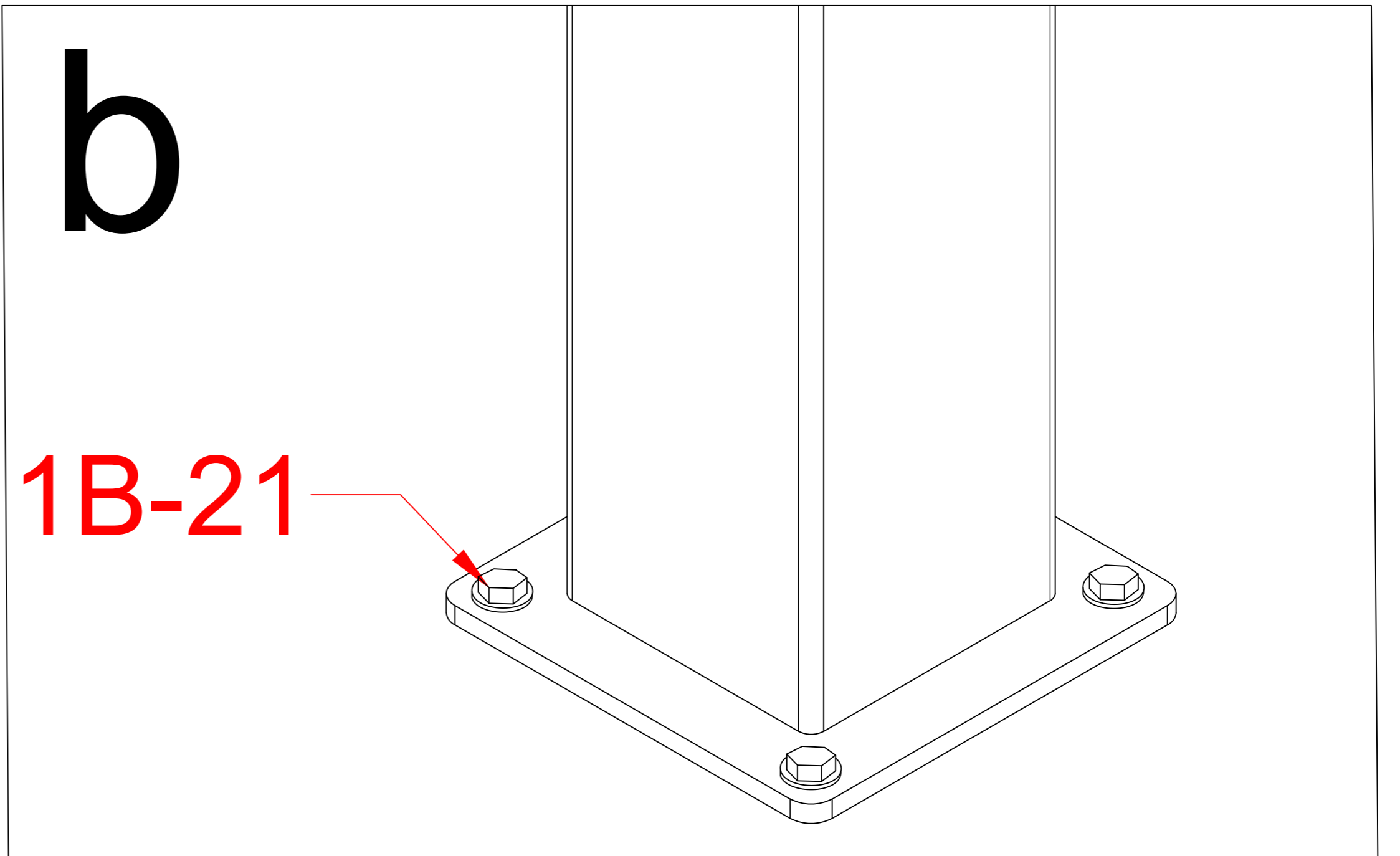
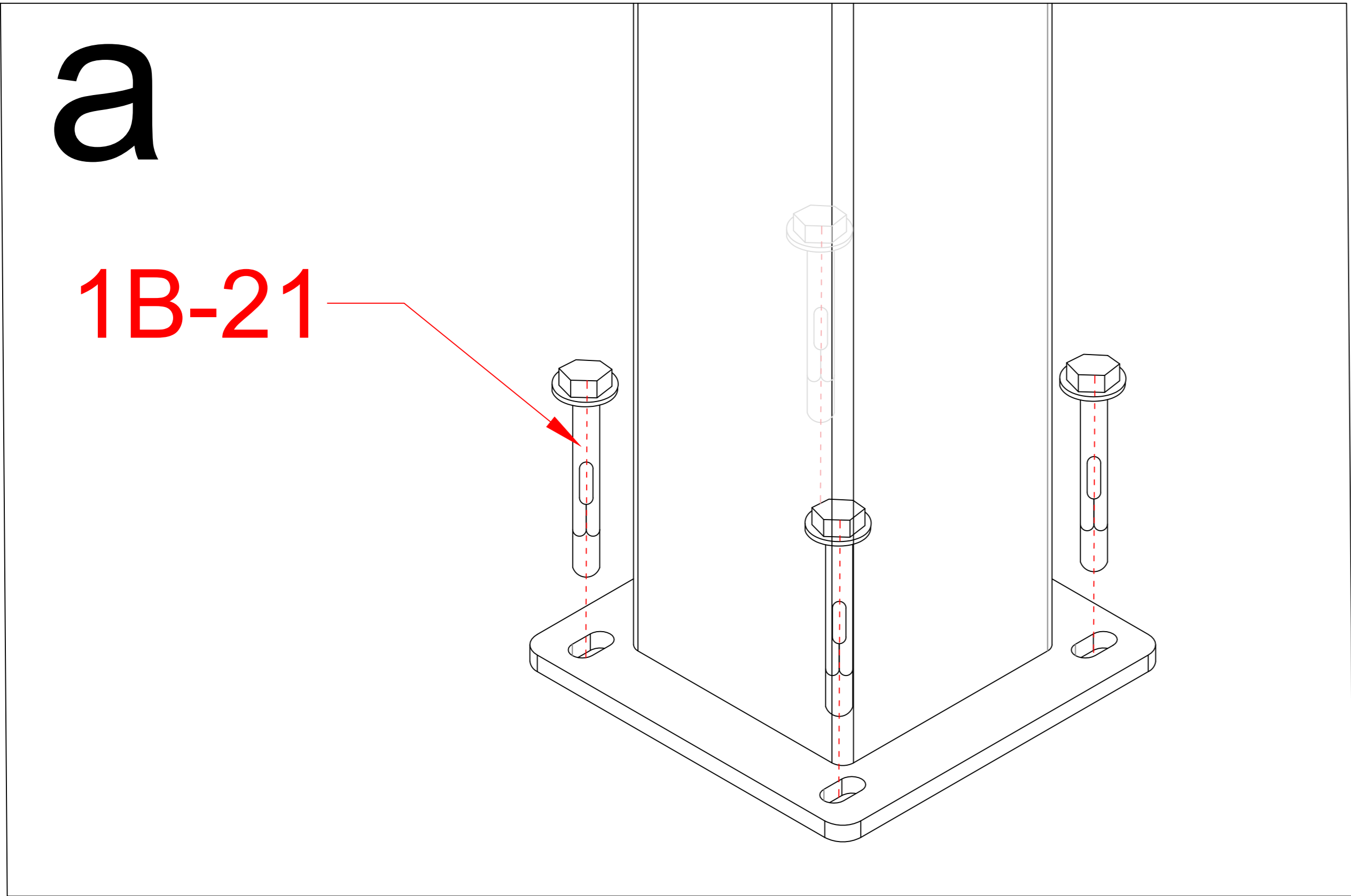


Warning:
The distance here should be the same as the distance between the main frames on both sides

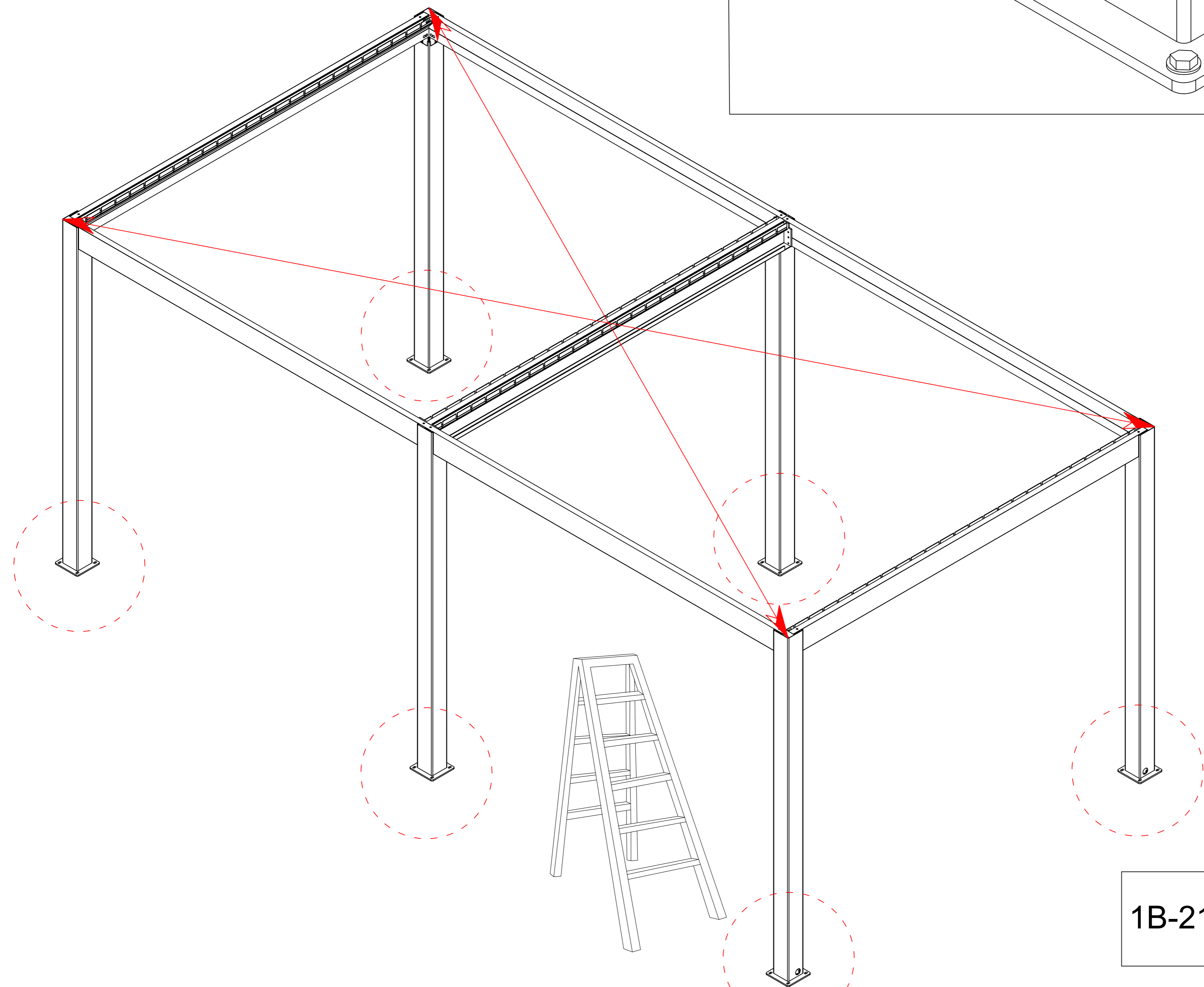


1B-28		1
1B-25		12

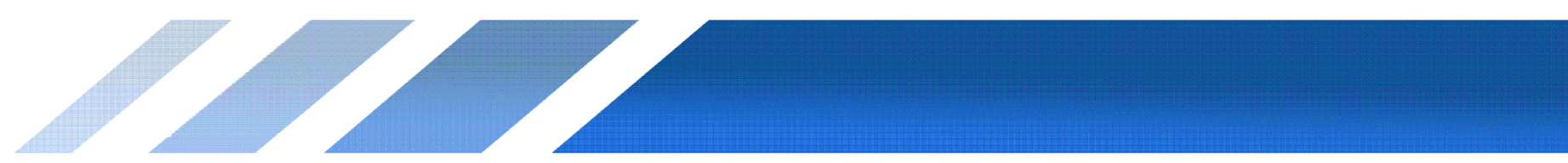




Pls measure the diagonal size and make sure the diagonal size keeps same before screw 1B-21 mounted. If not, pls adjust it to same size.

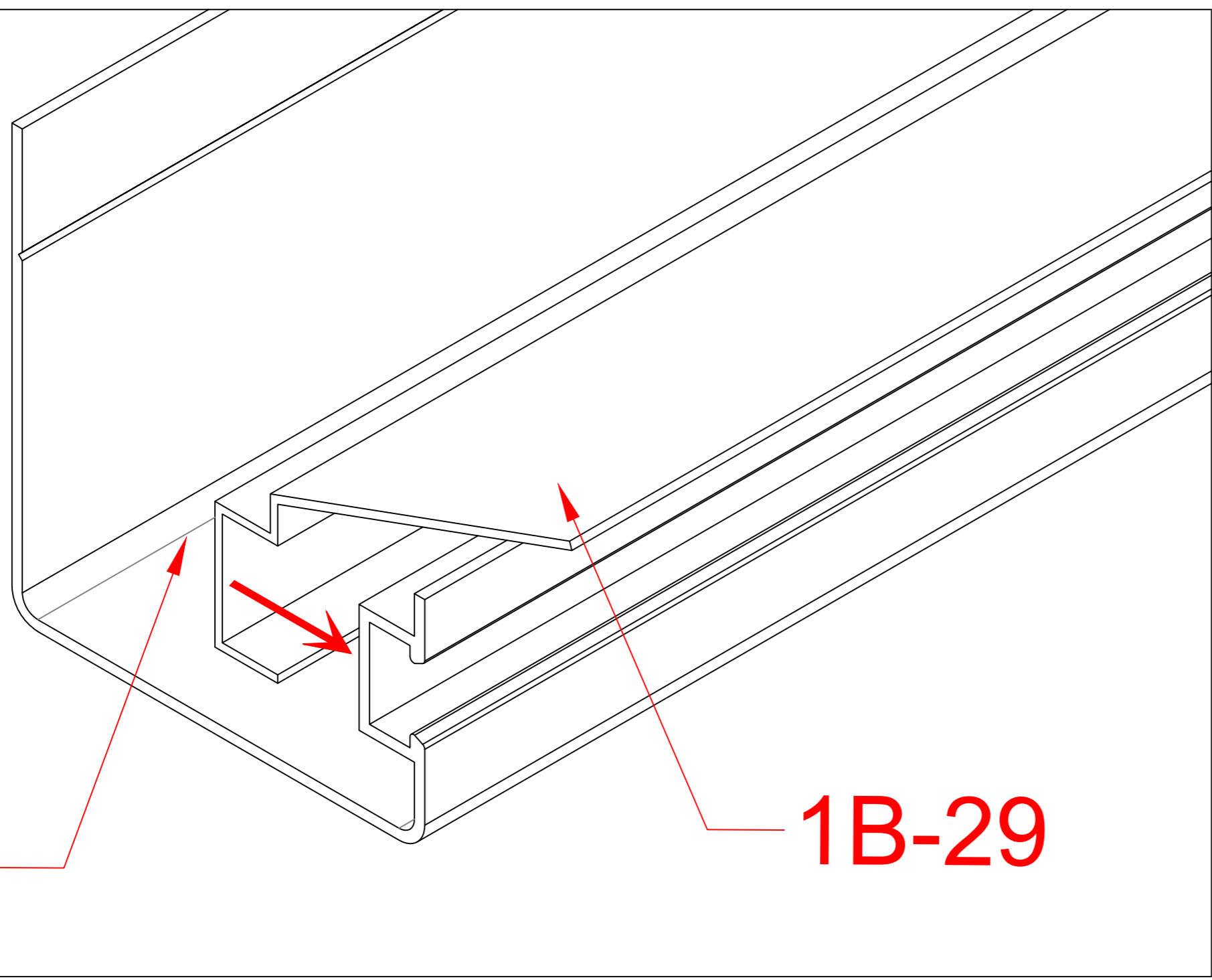


1B-21		24
-------	--	----





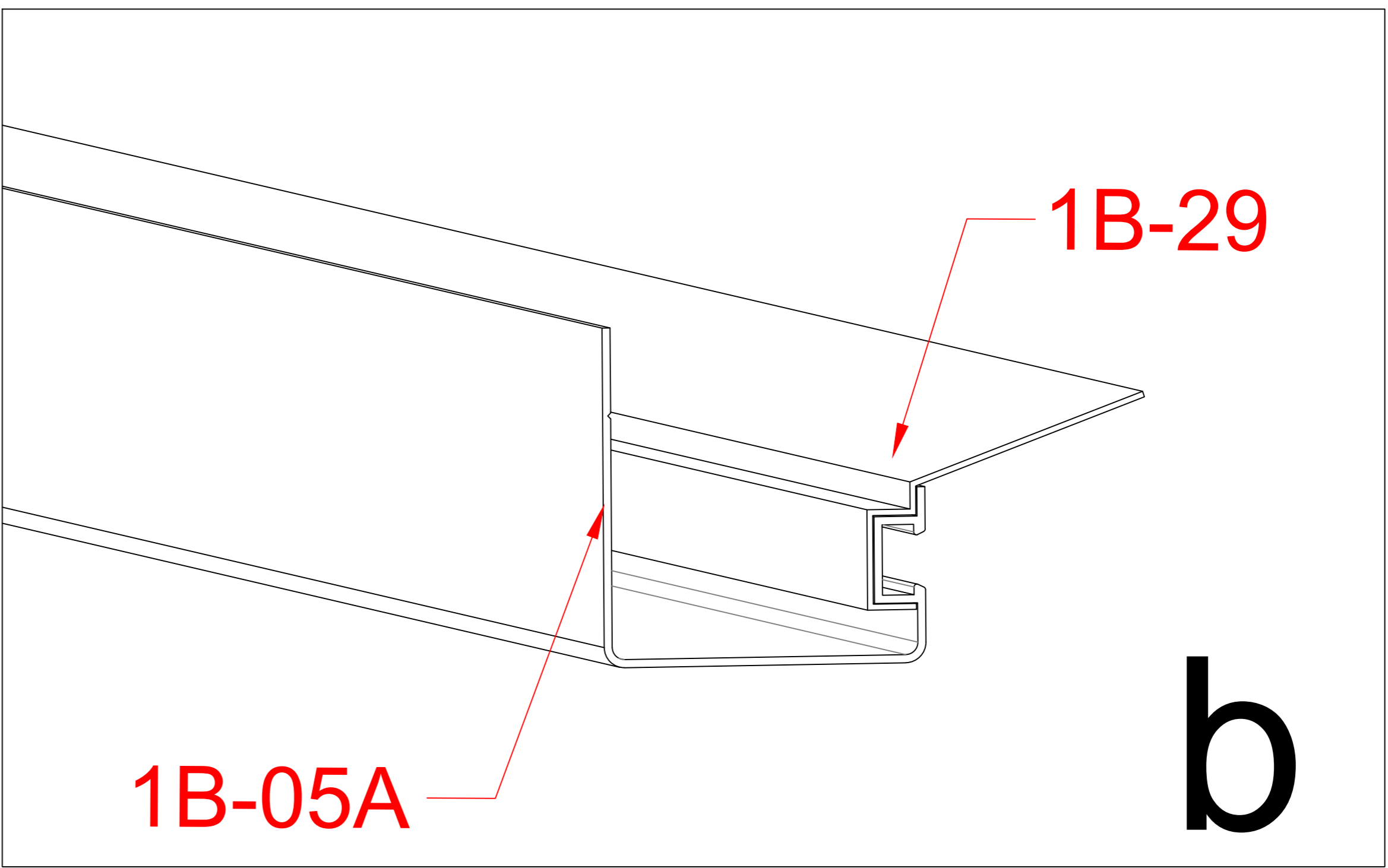
a



1B-05A

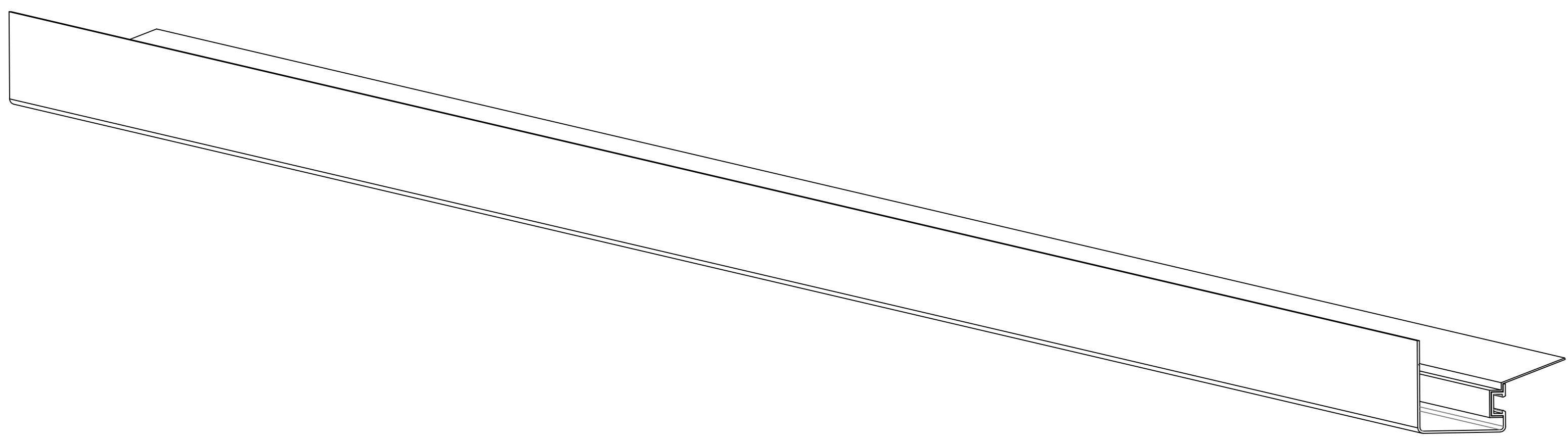
1B-29

b

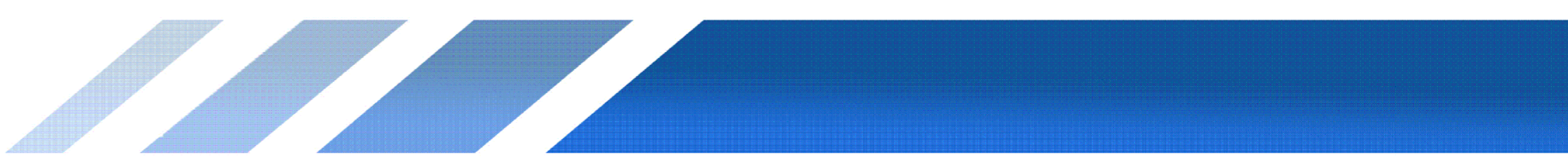


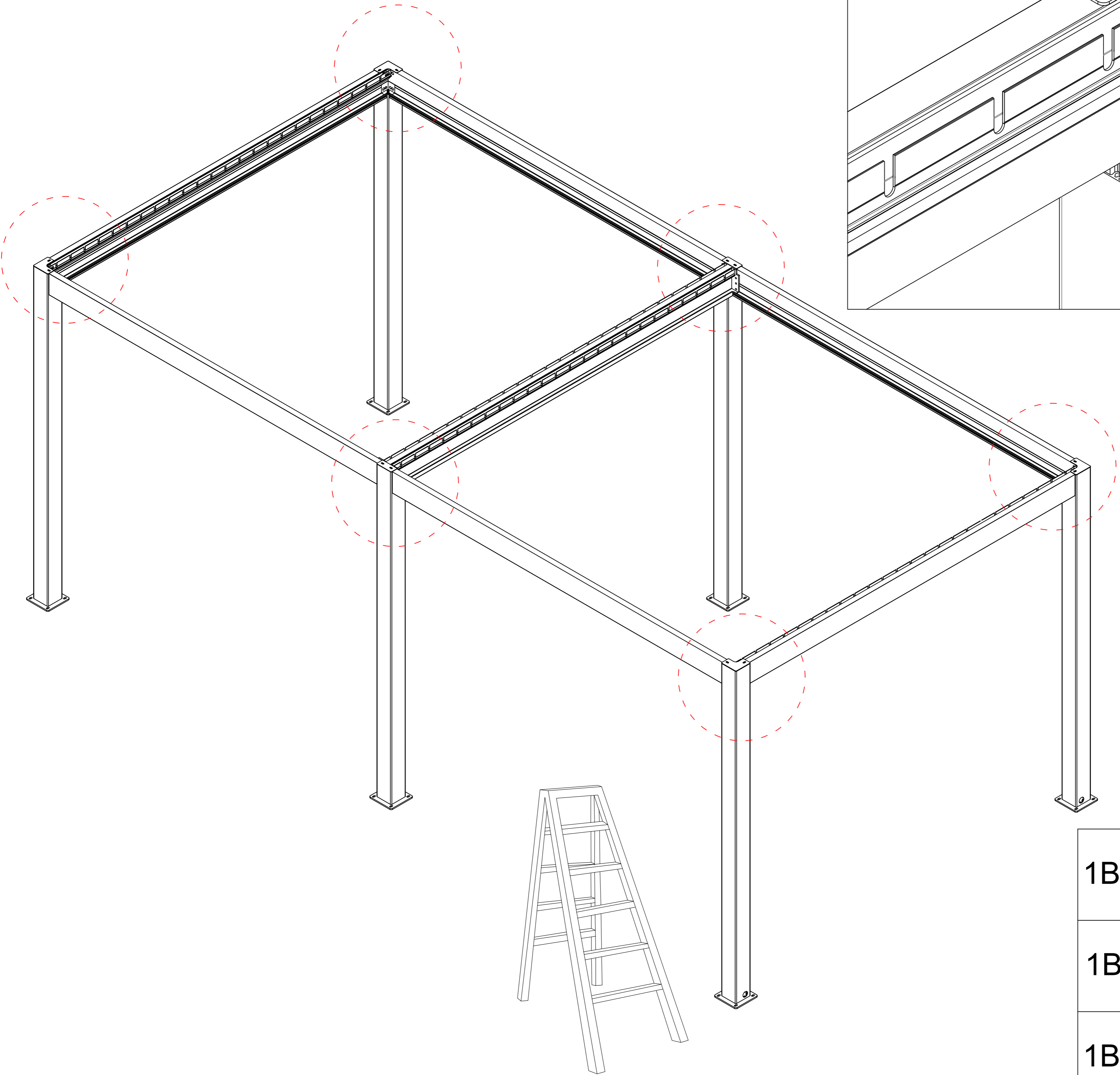
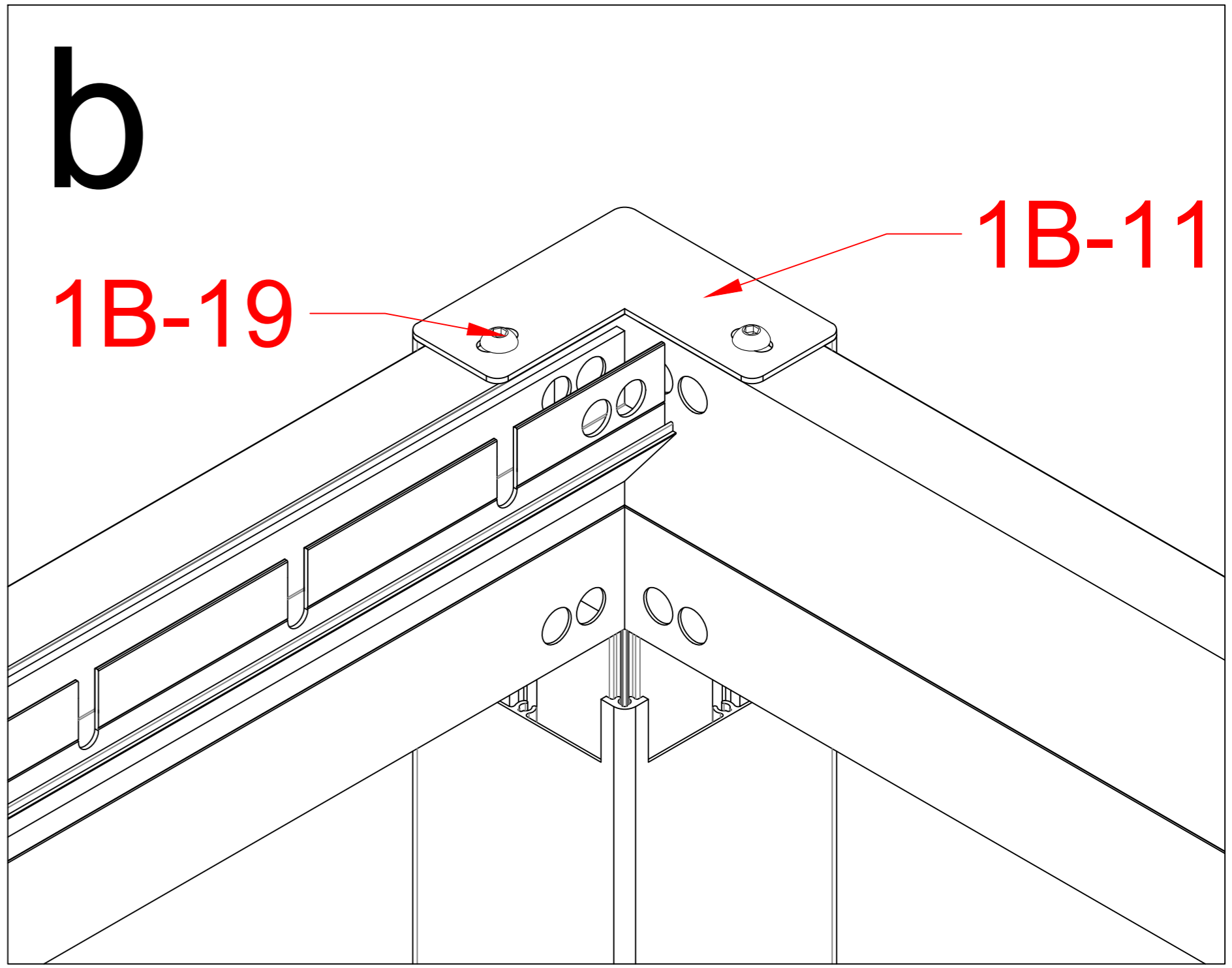
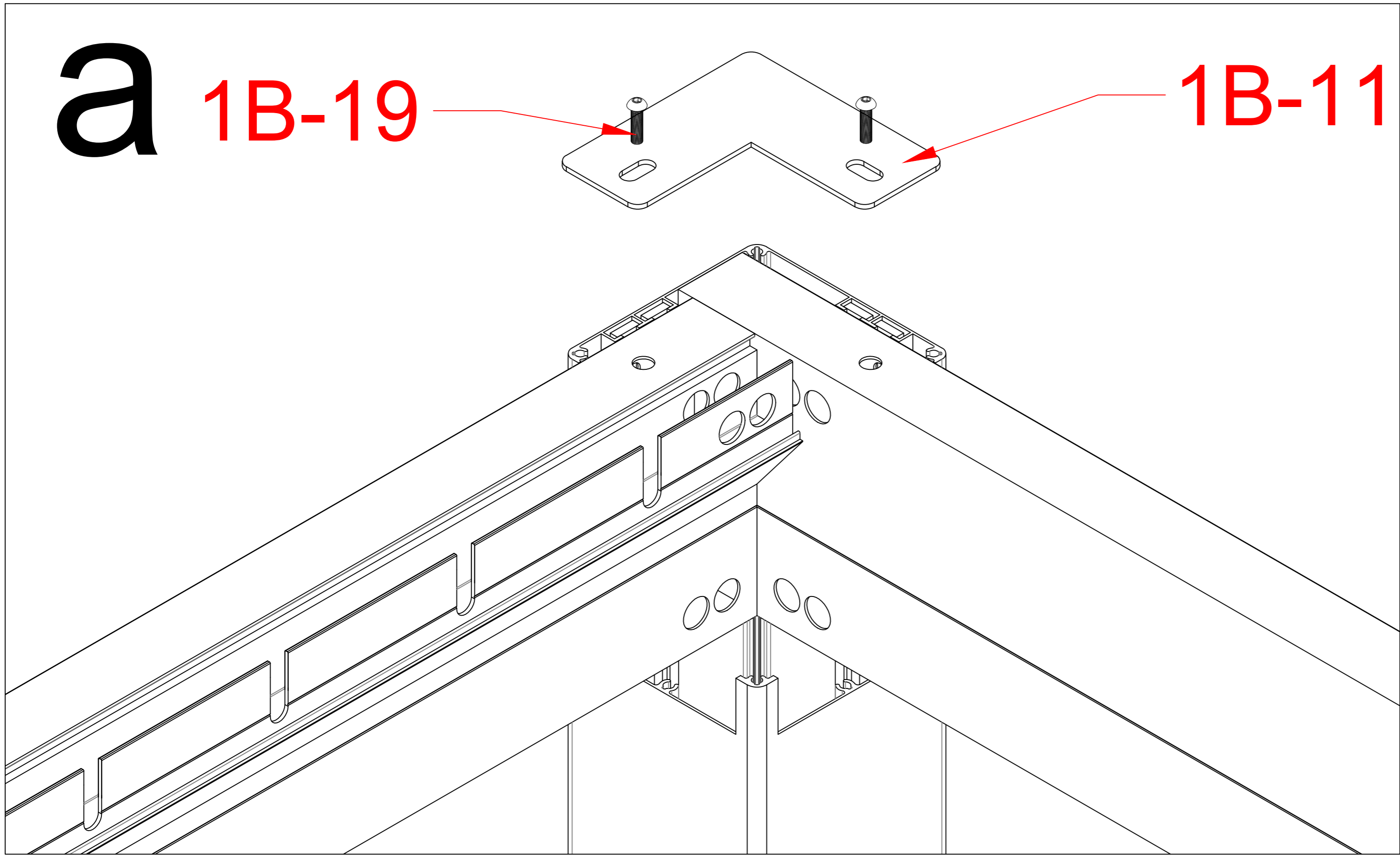
1B-29

1B-05A

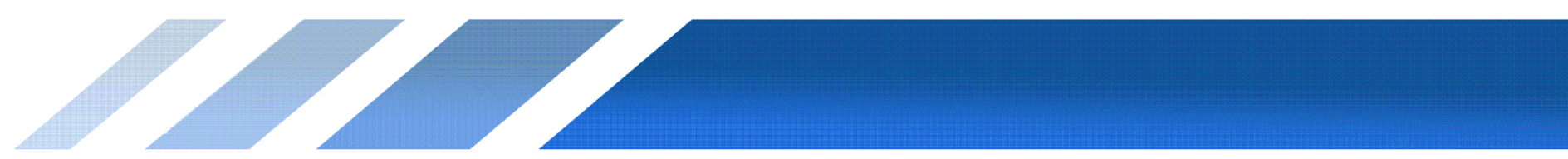


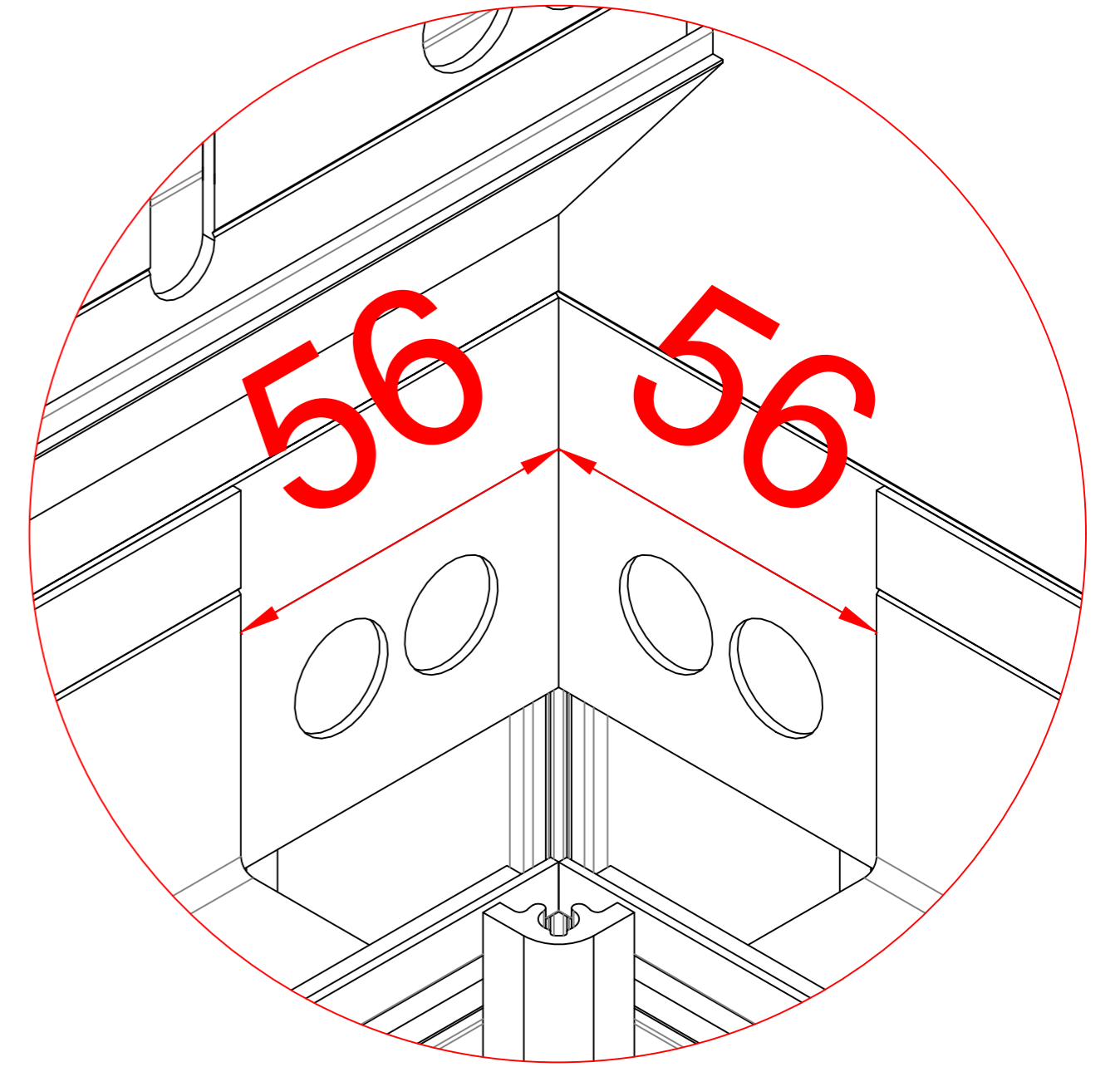
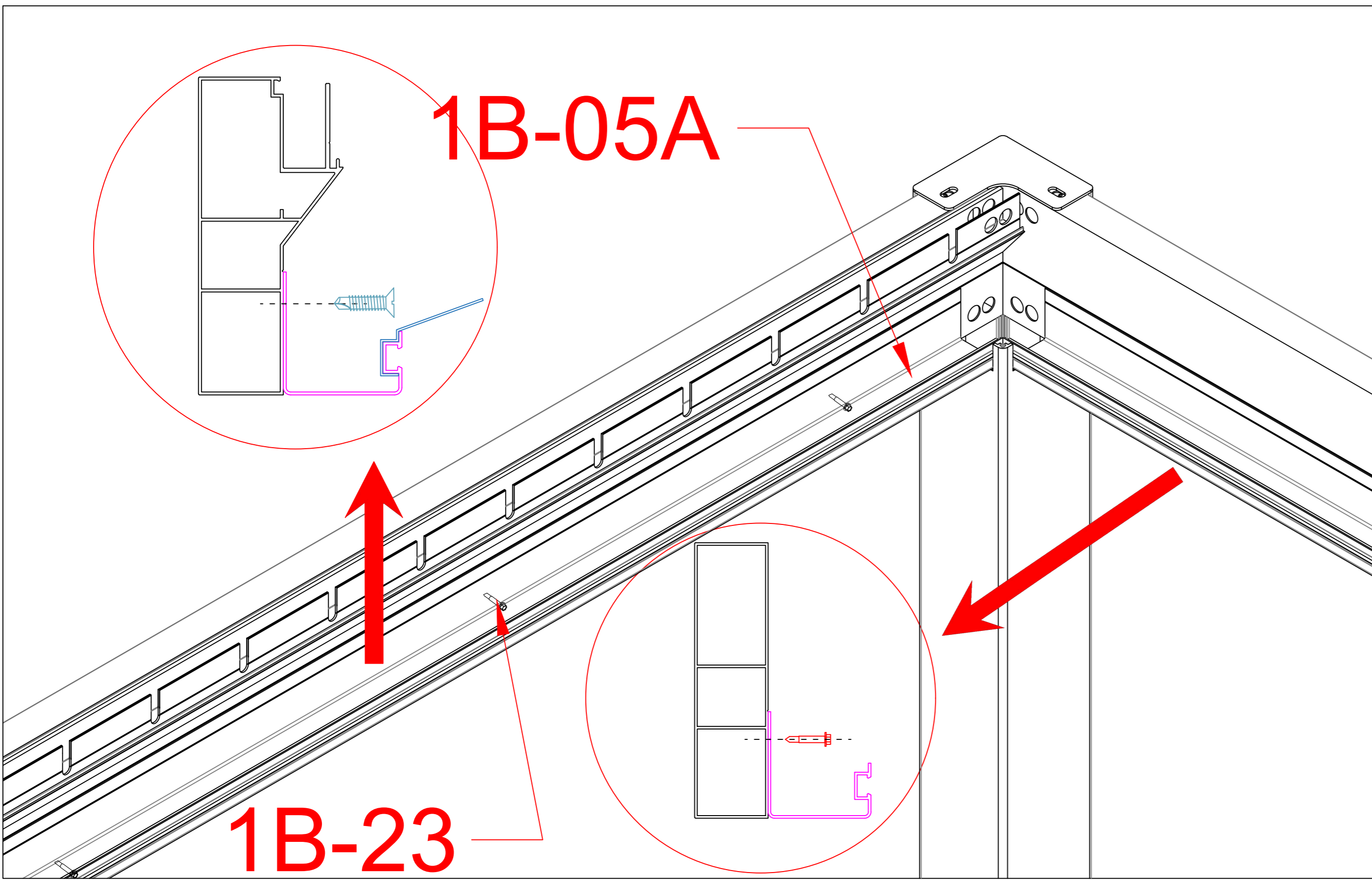
1B-05A		2
1B-29		2





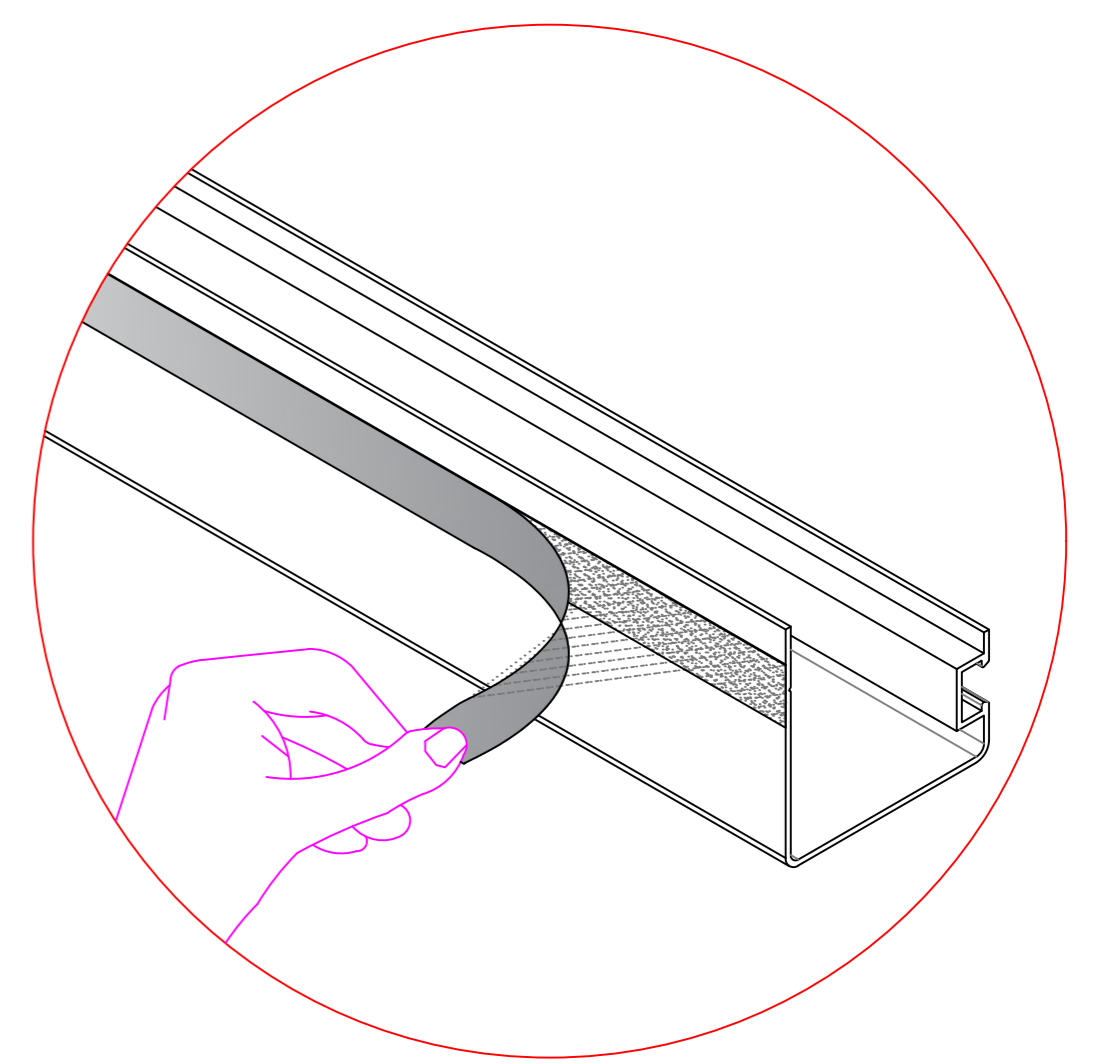
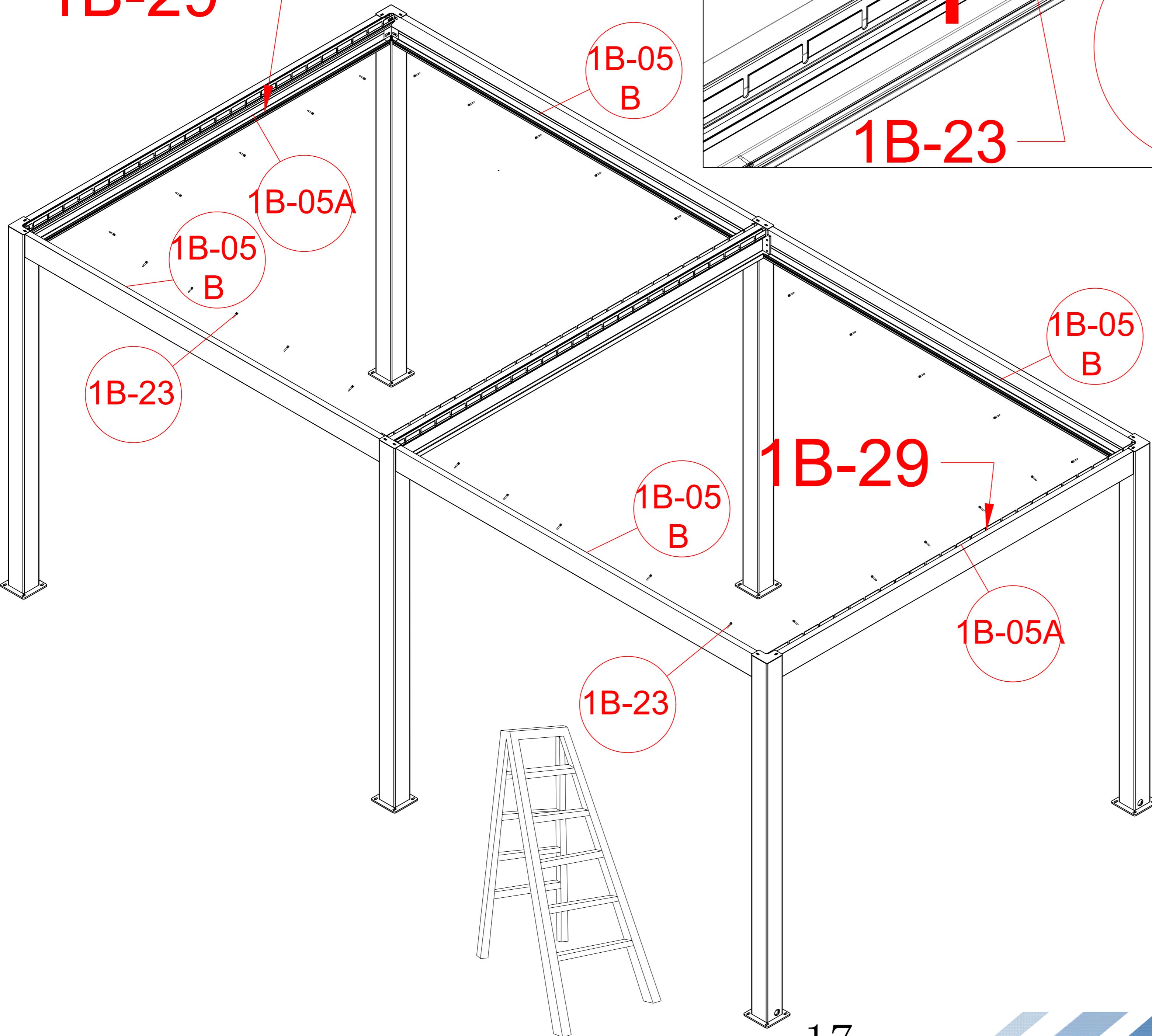
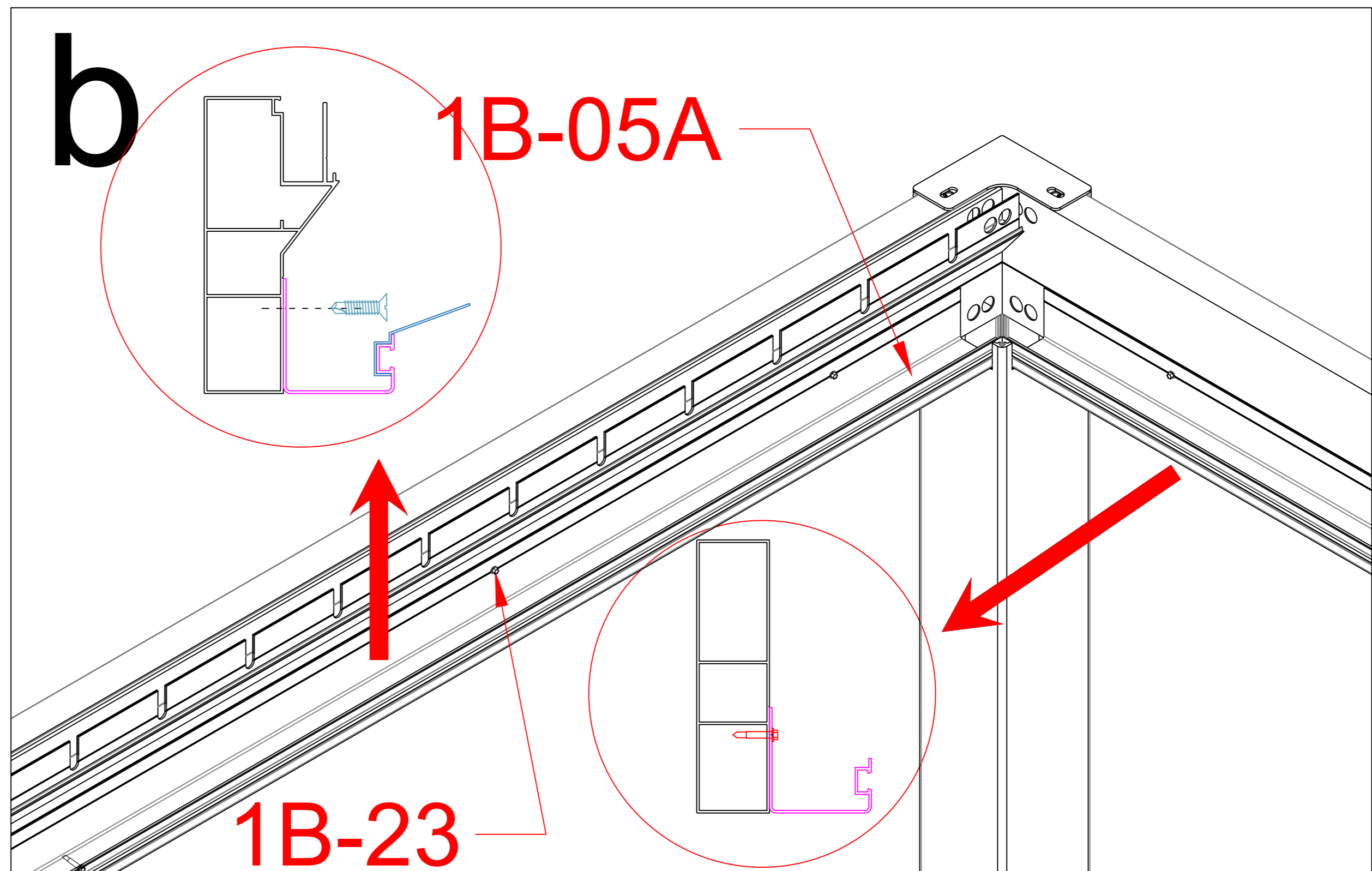
1B-26		2
1B-11		4
1B-19		12



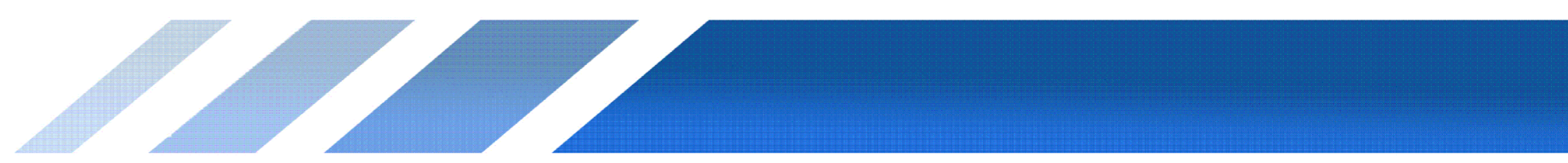


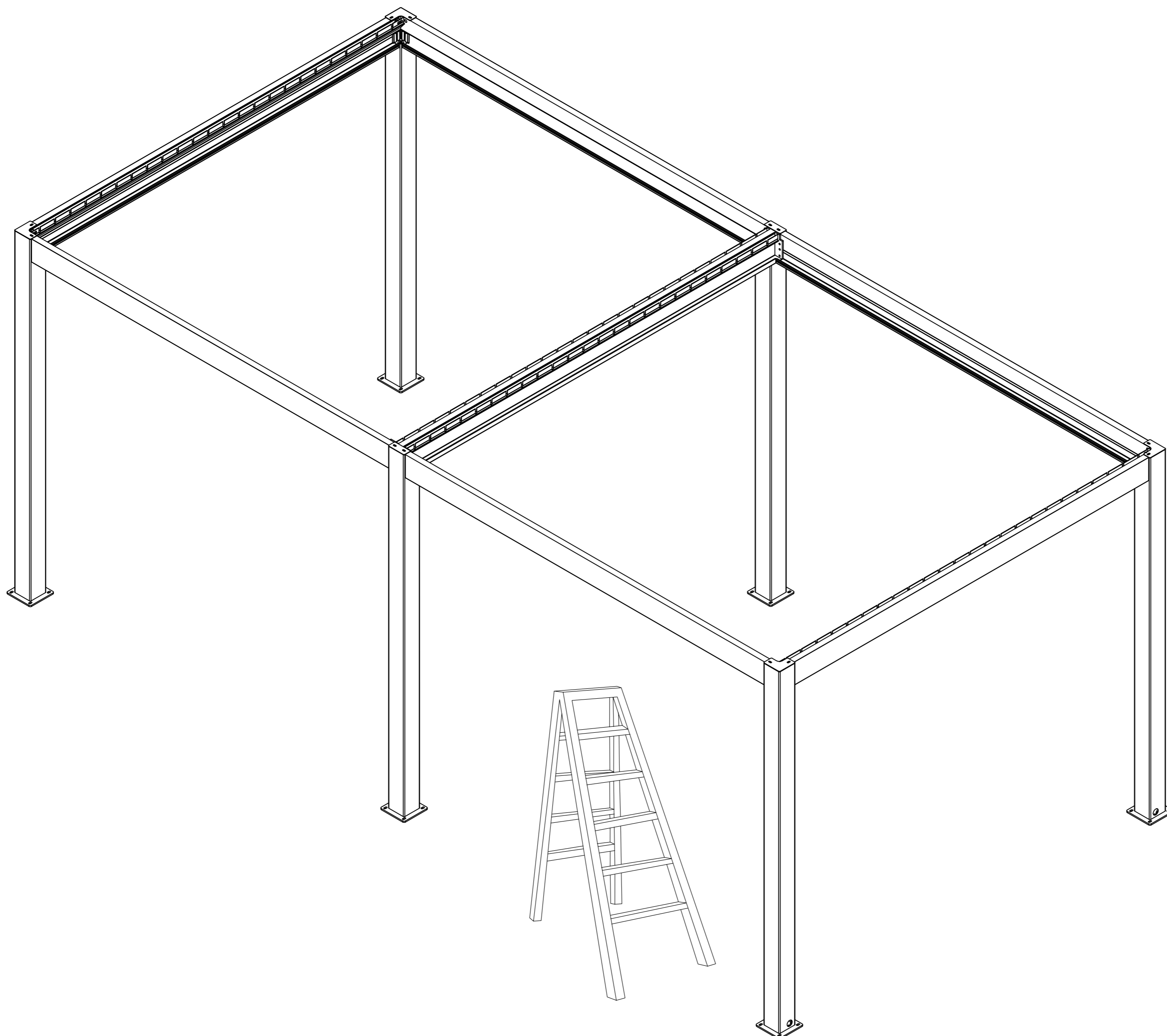
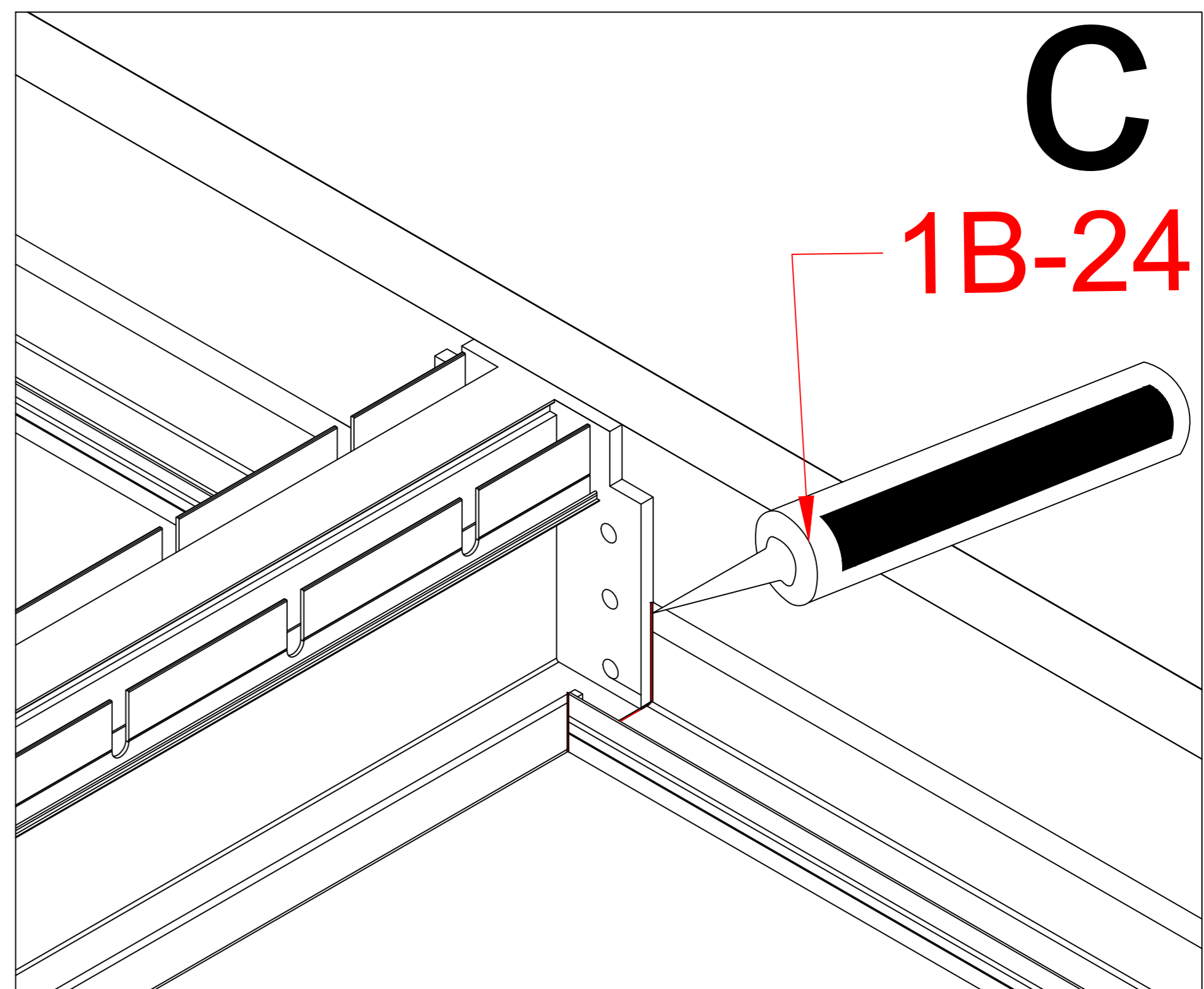
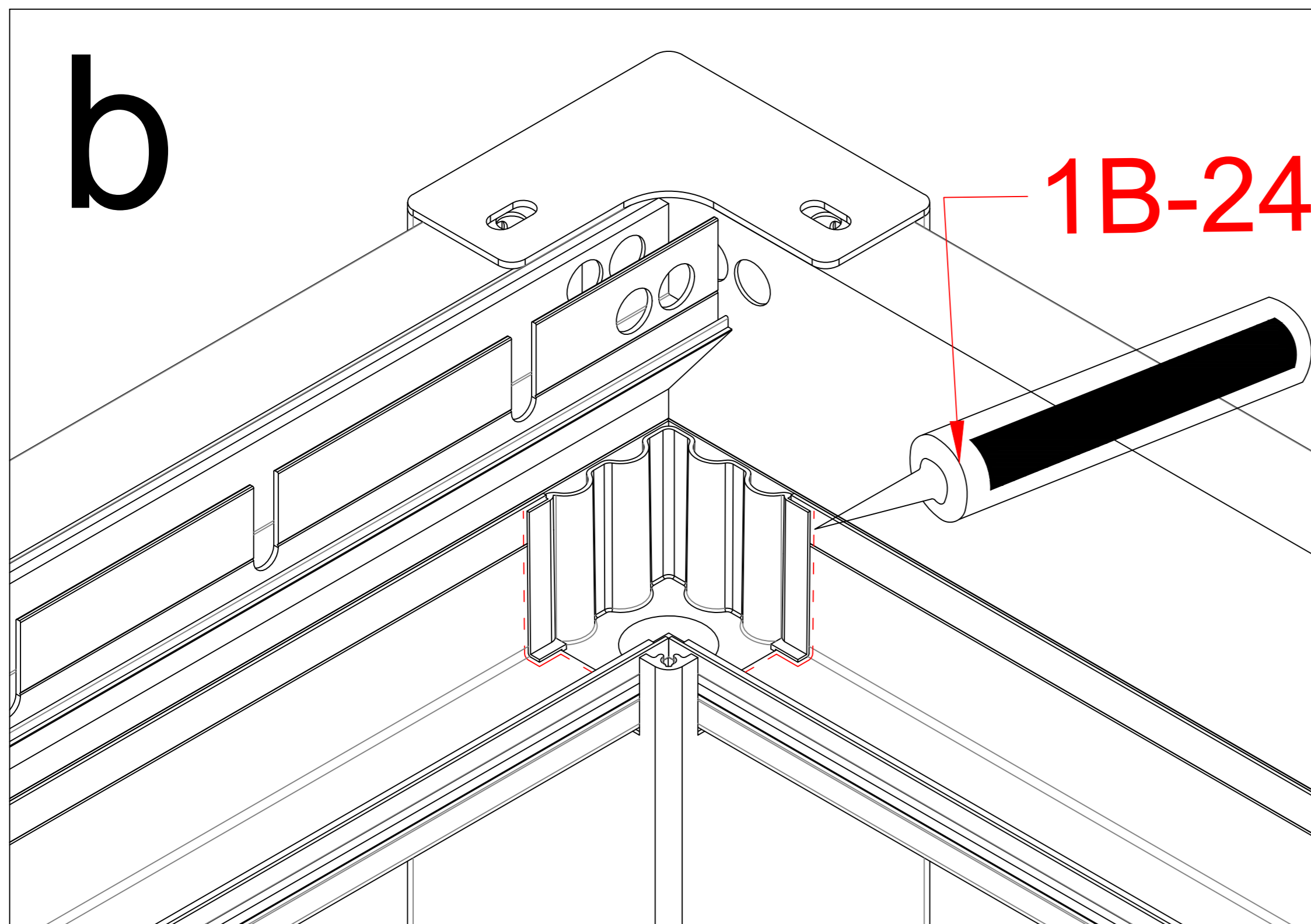
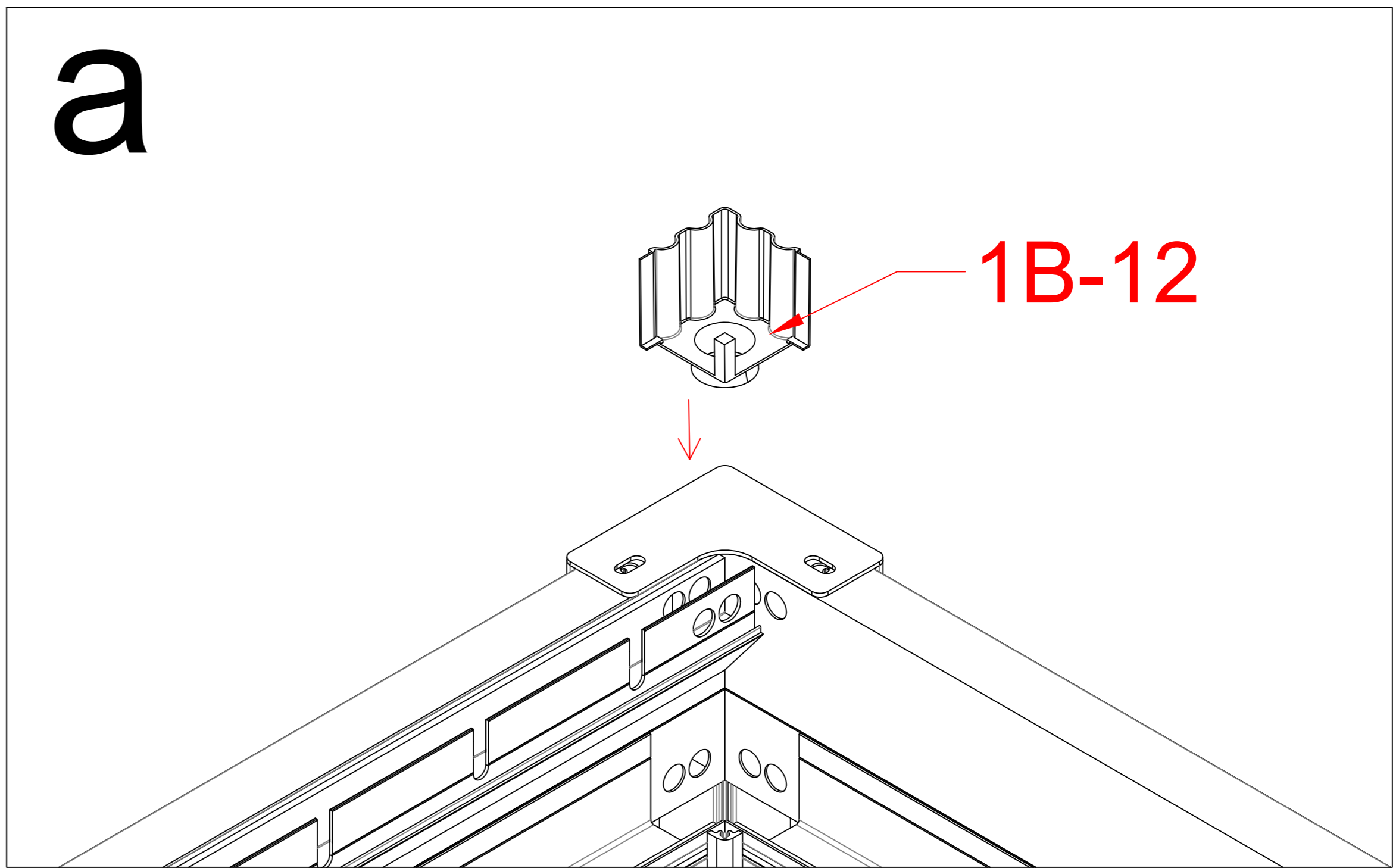
warning:
Before installation,
tear off the
double-sided adhesive
protective film

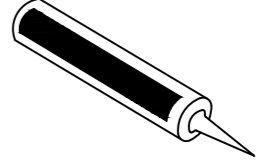
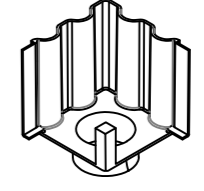
1B-29

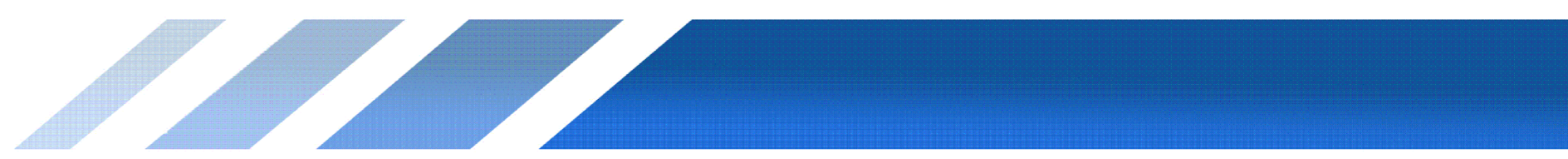


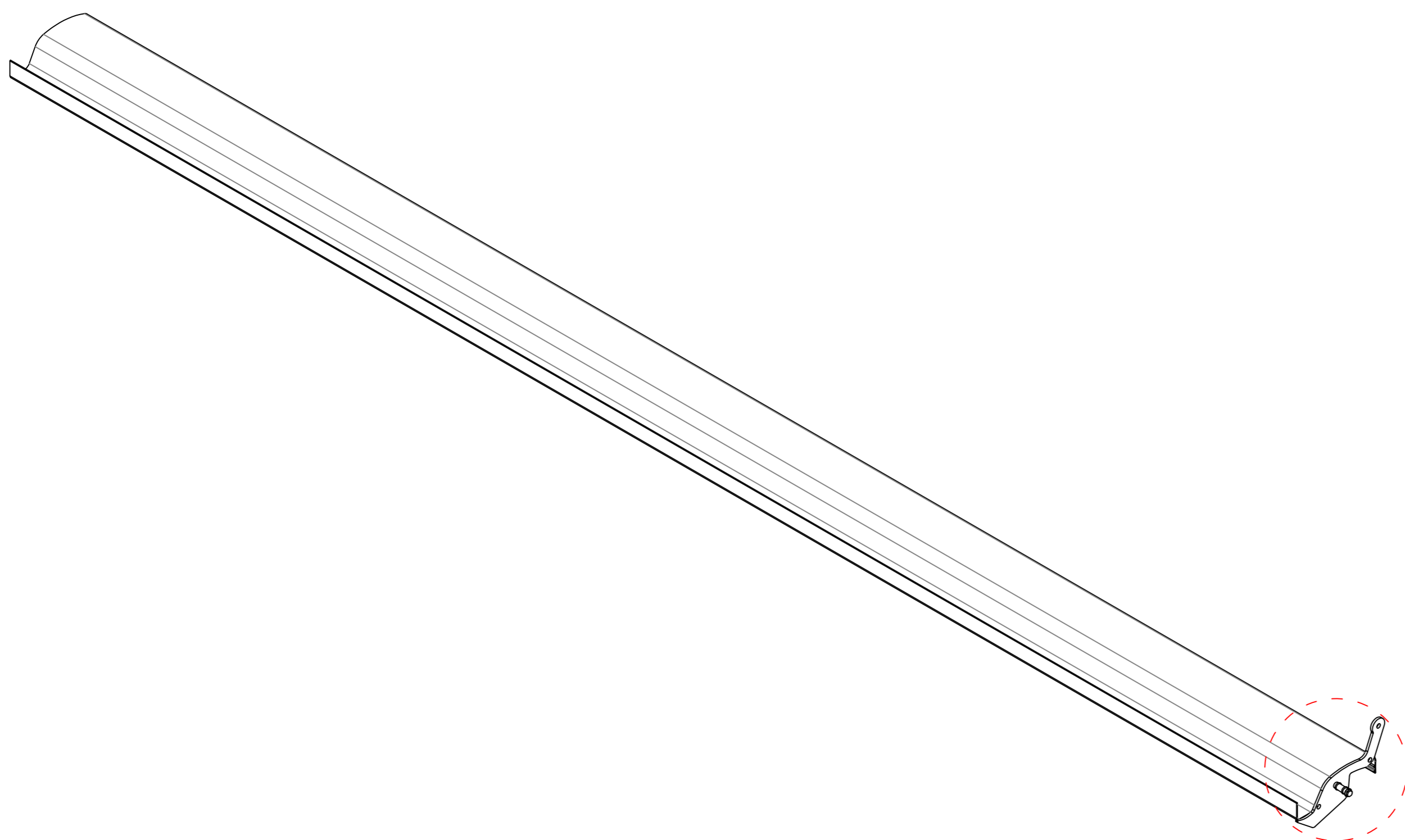
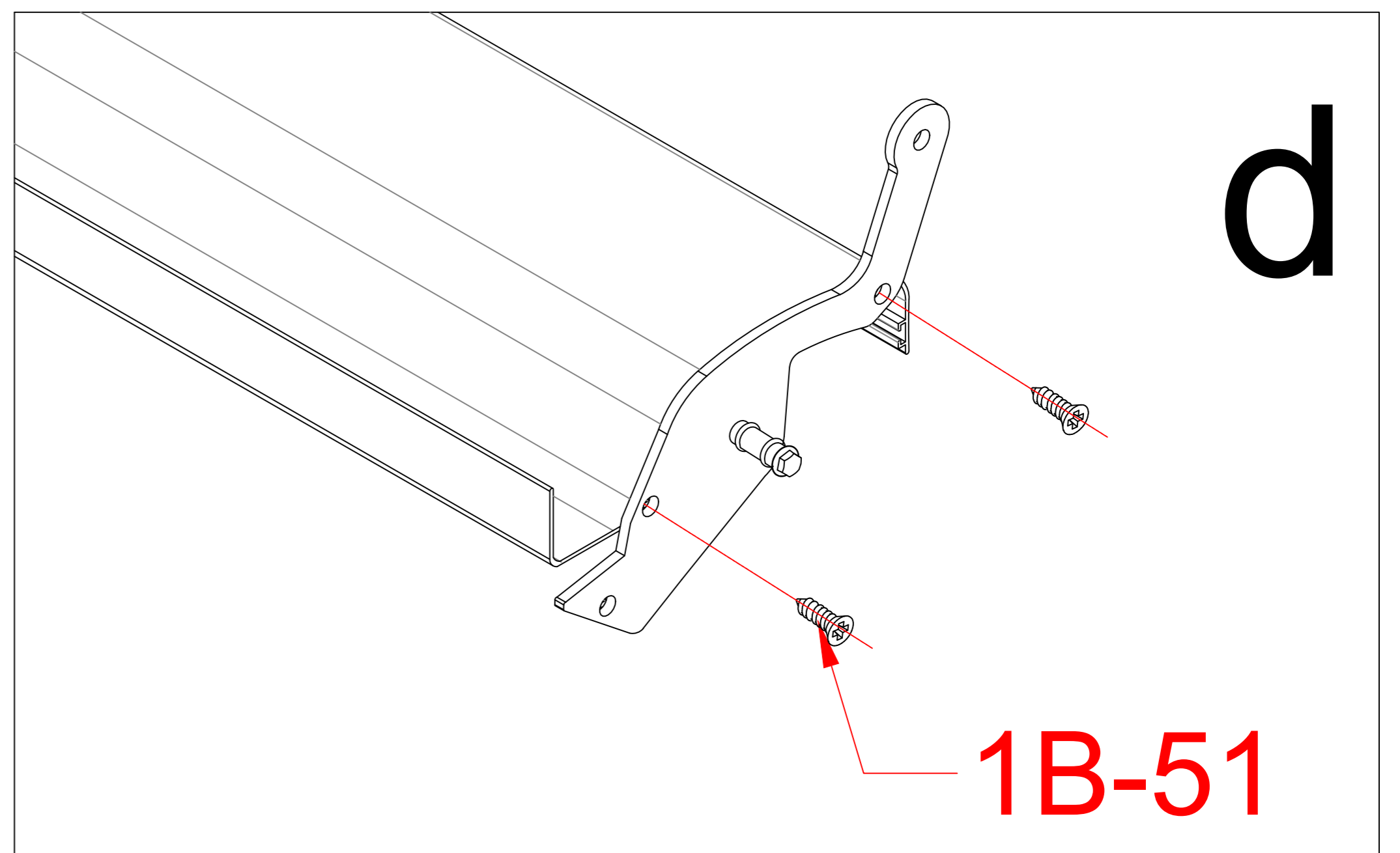
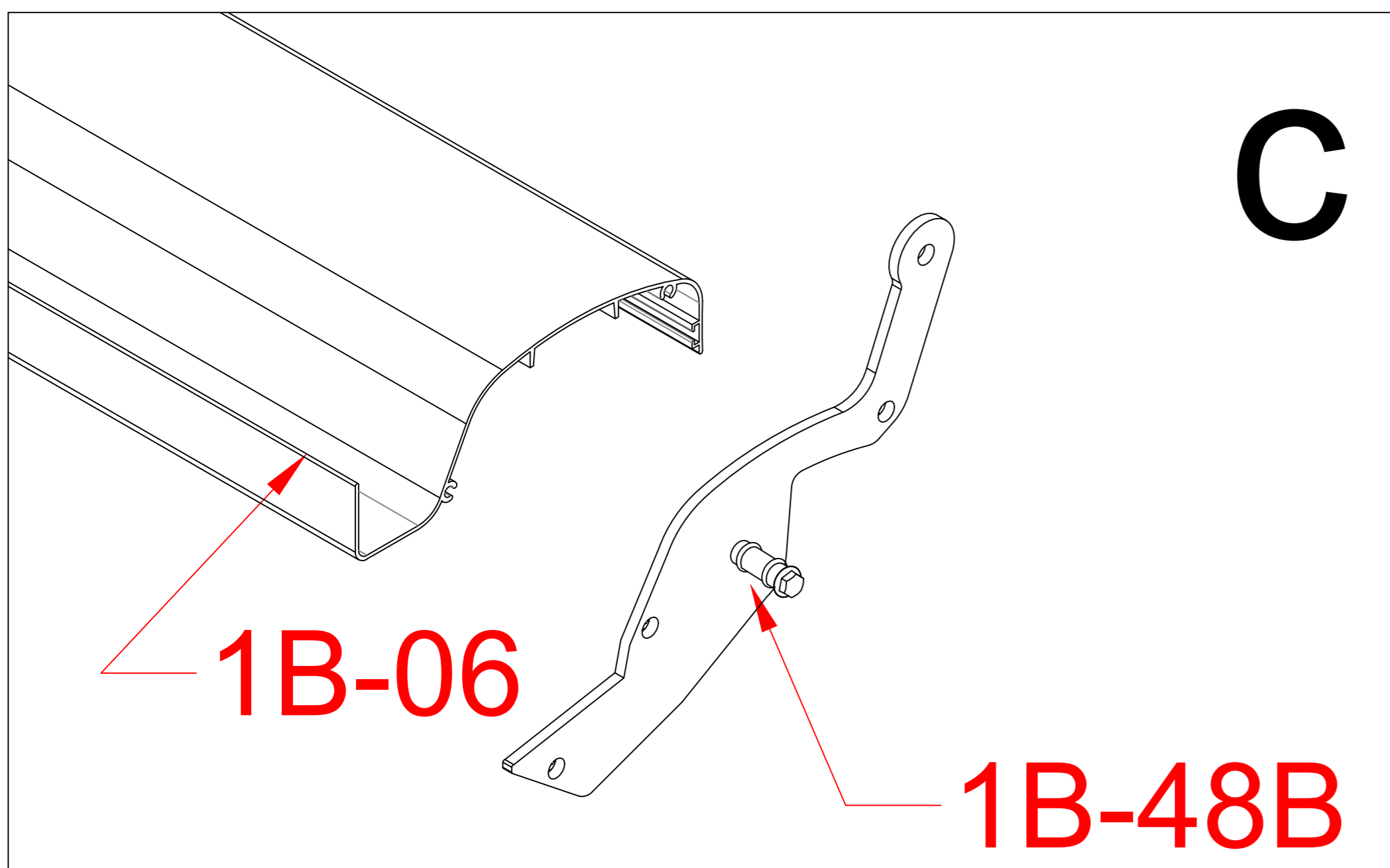
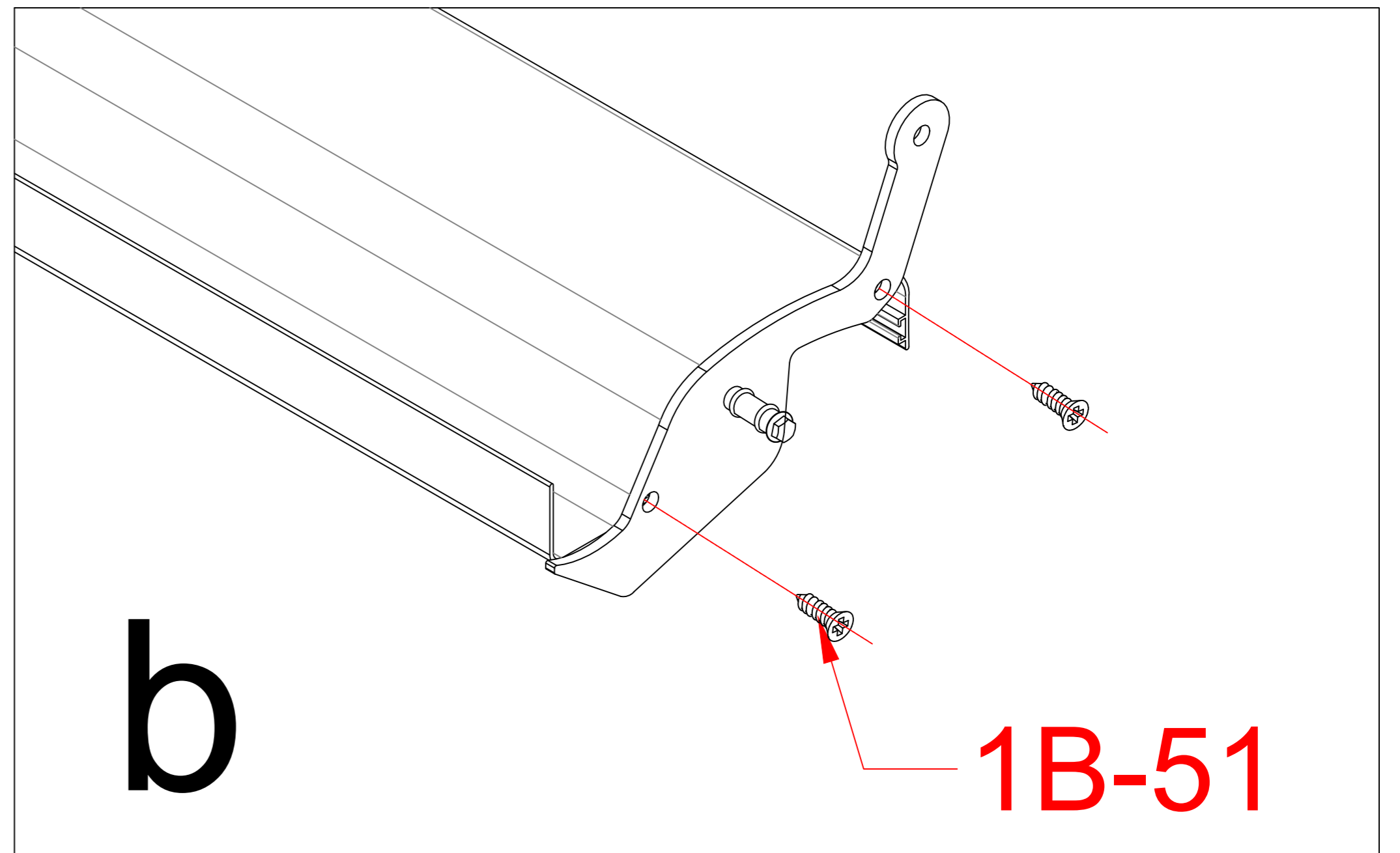
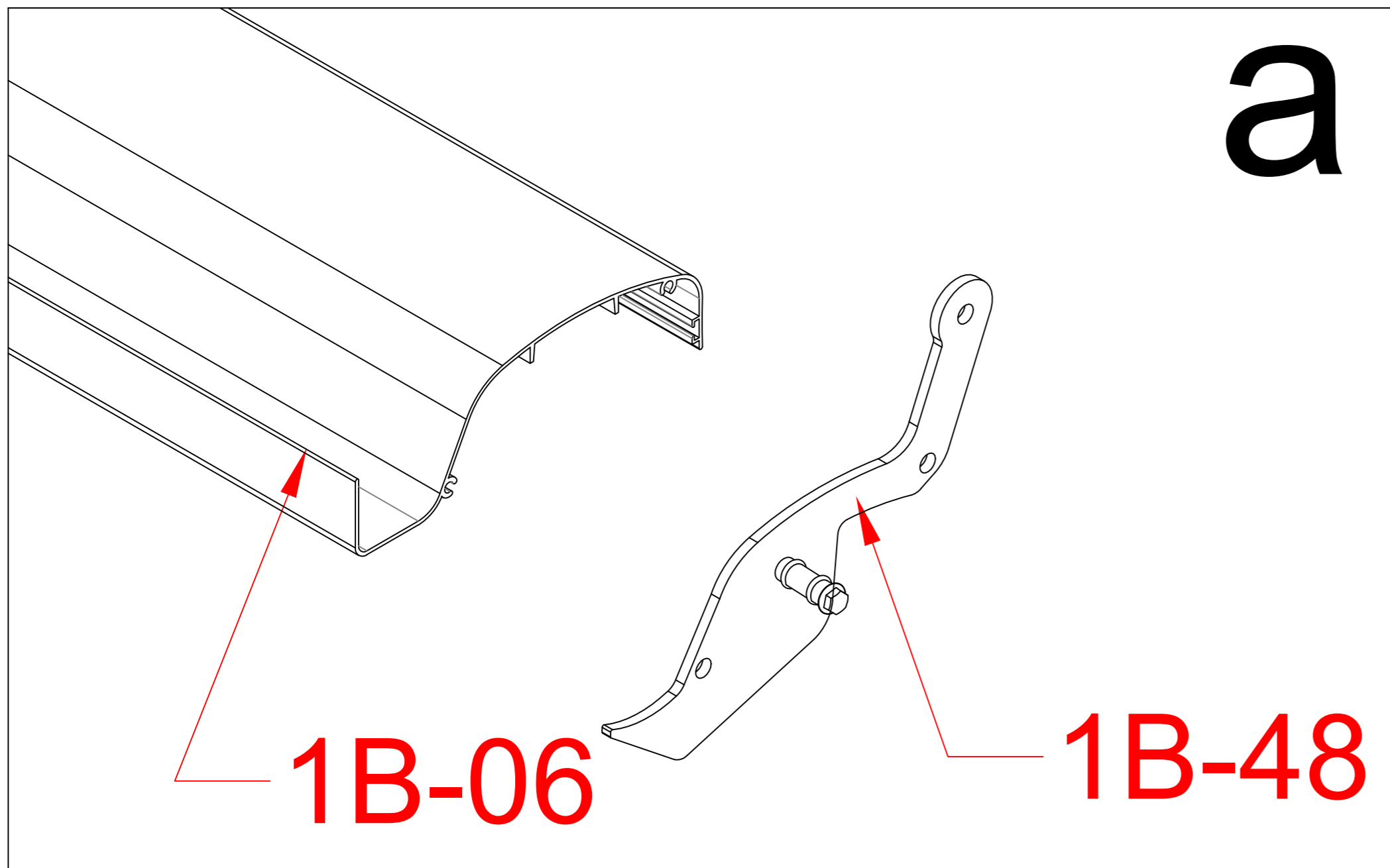
	3*4m-18		4screws/3m side 5screws/4m side
1B-05A			2
1B-05B			4
1B-23			26



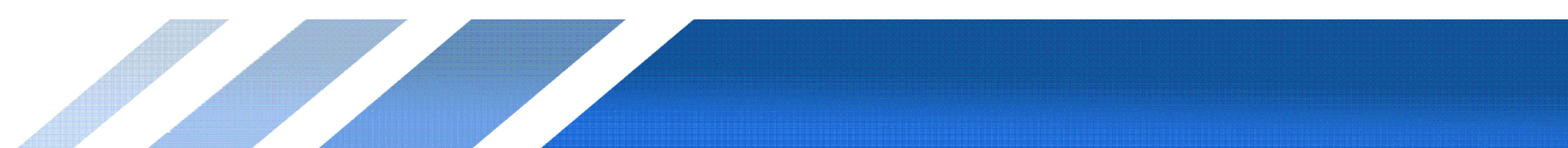


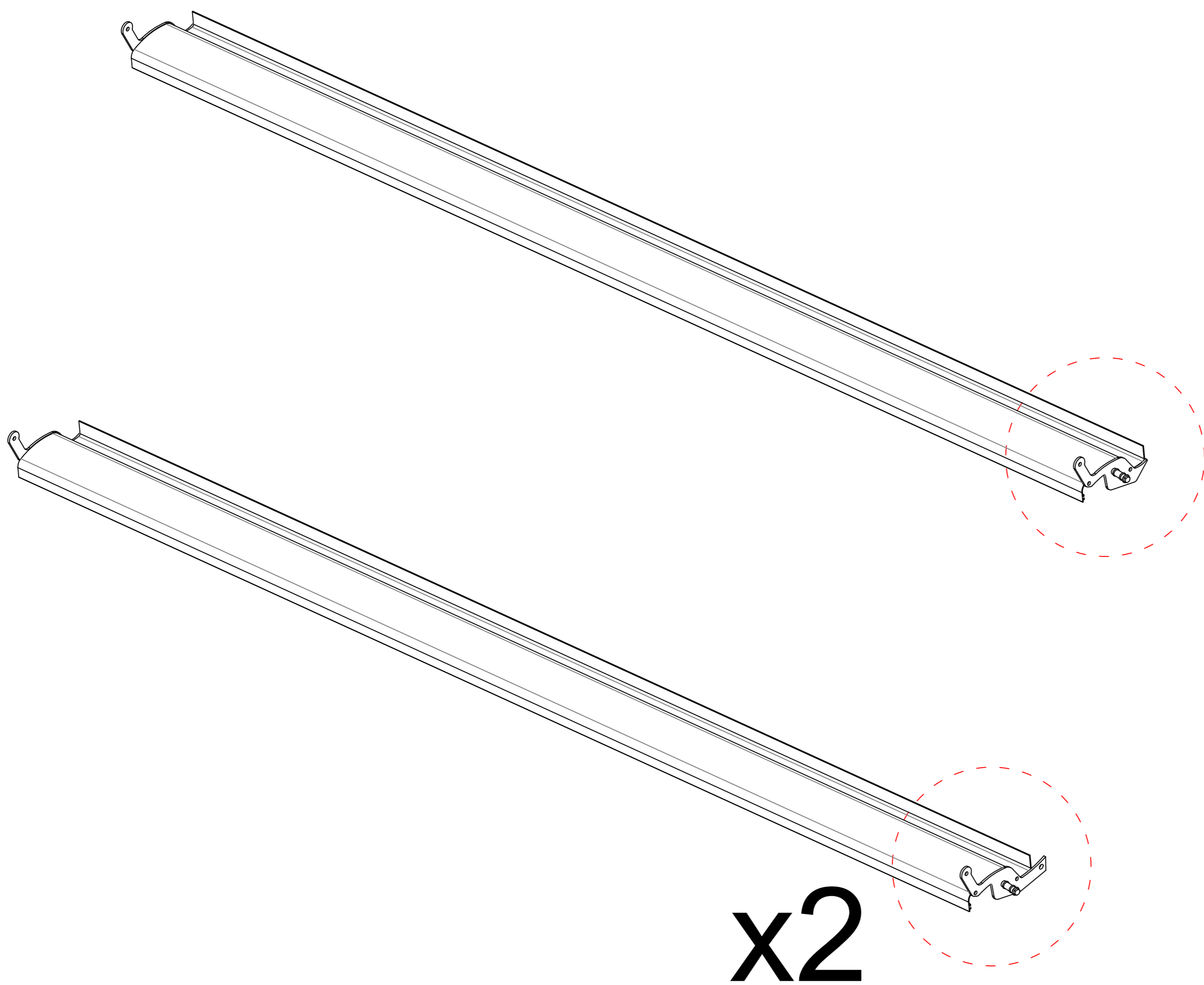
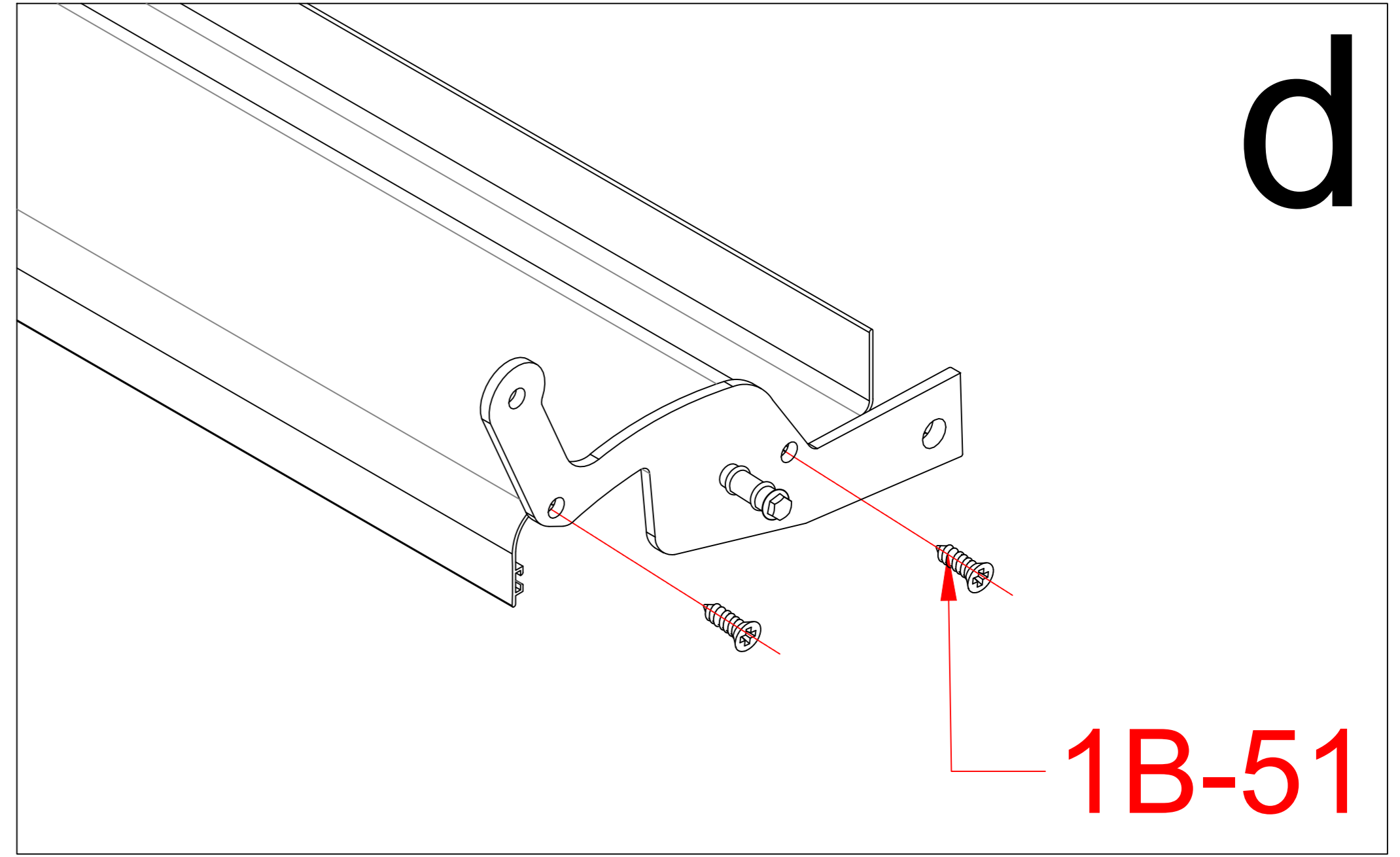
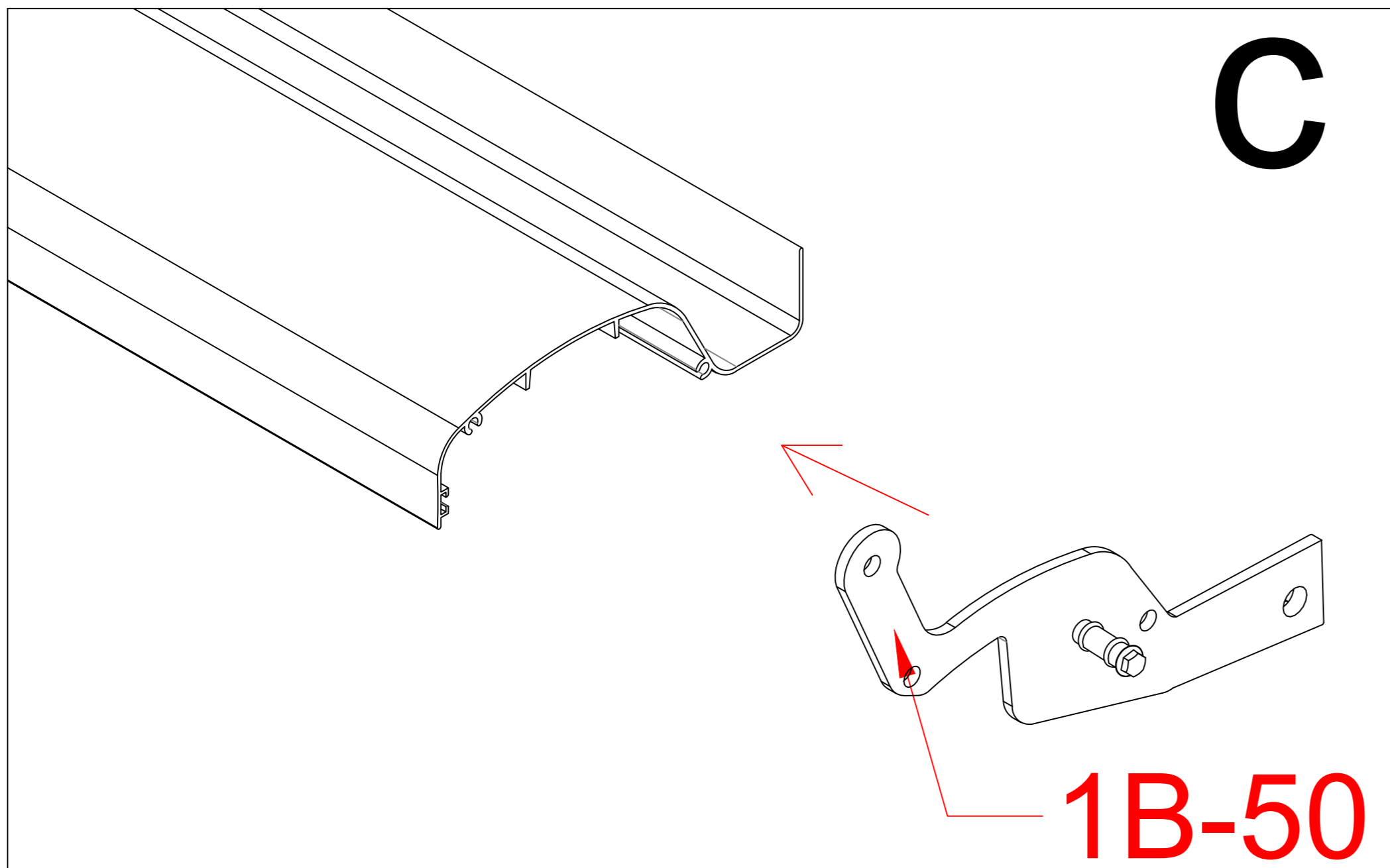
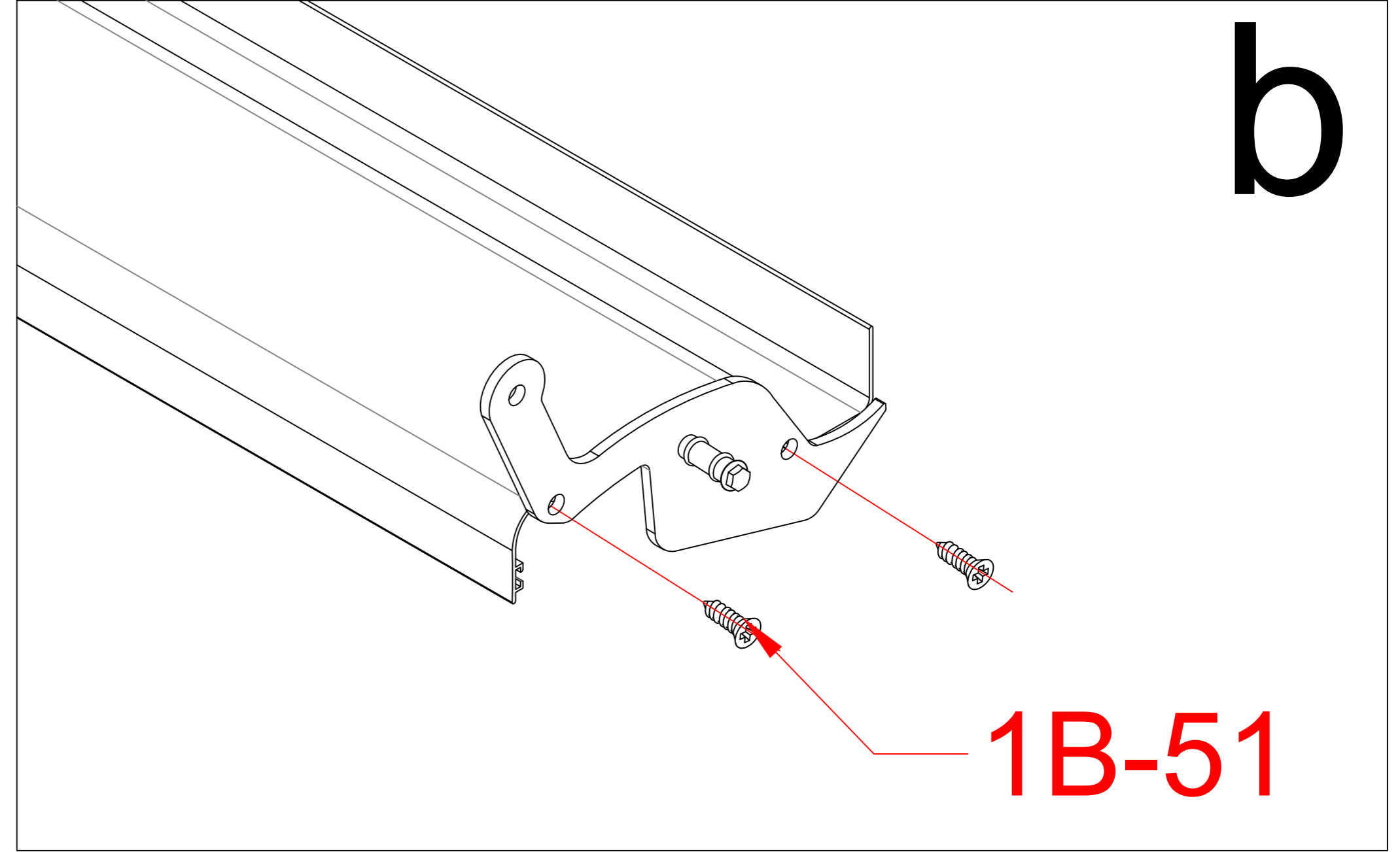
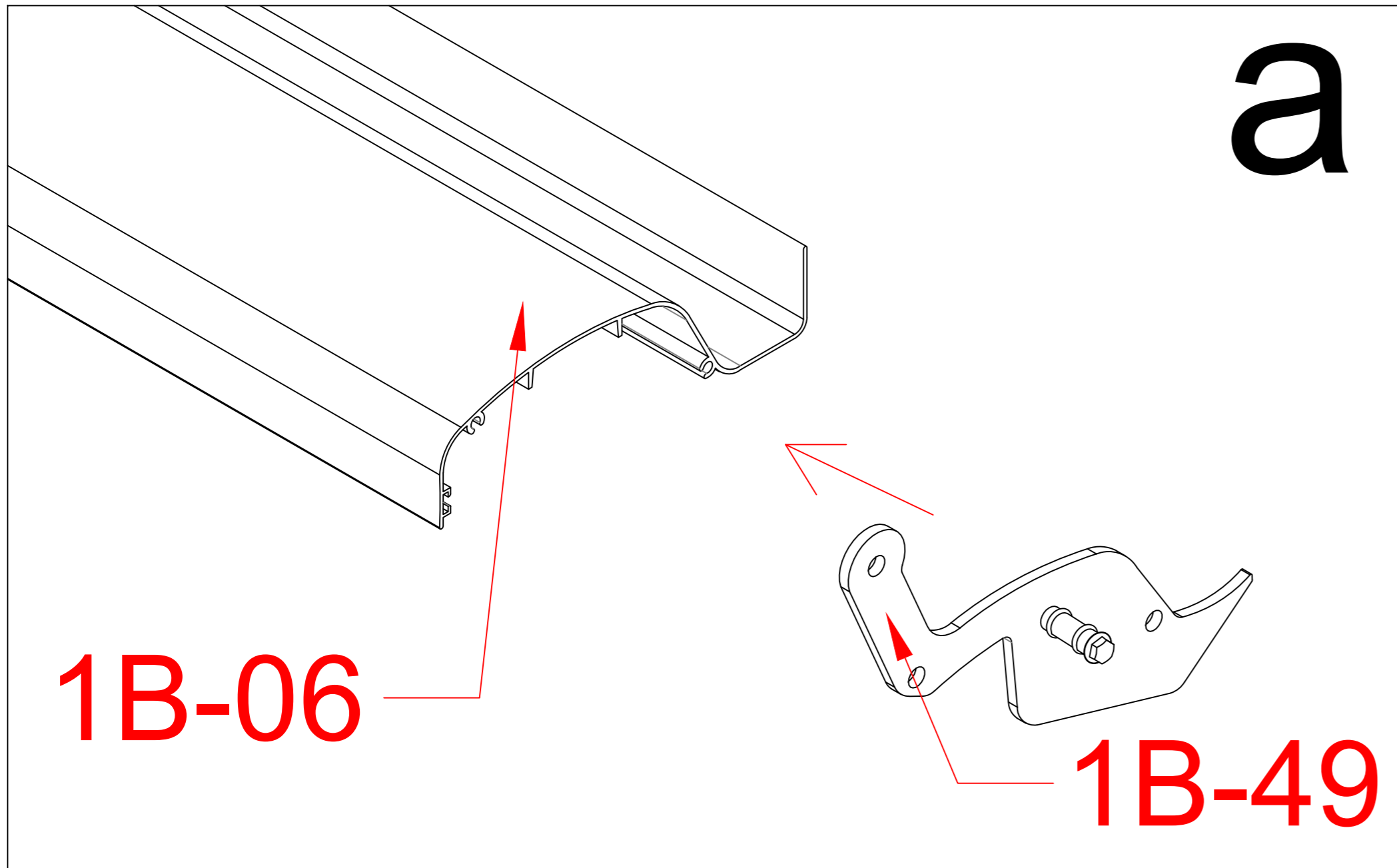
1B-24		1
1B-12		4



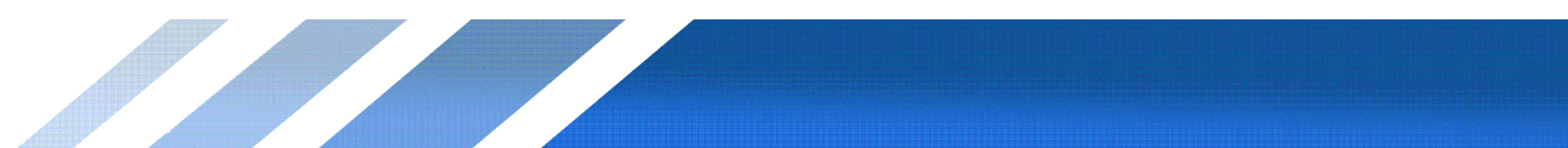


1B-51		132
1B-06		66
1B-48B		1
1B-48		65



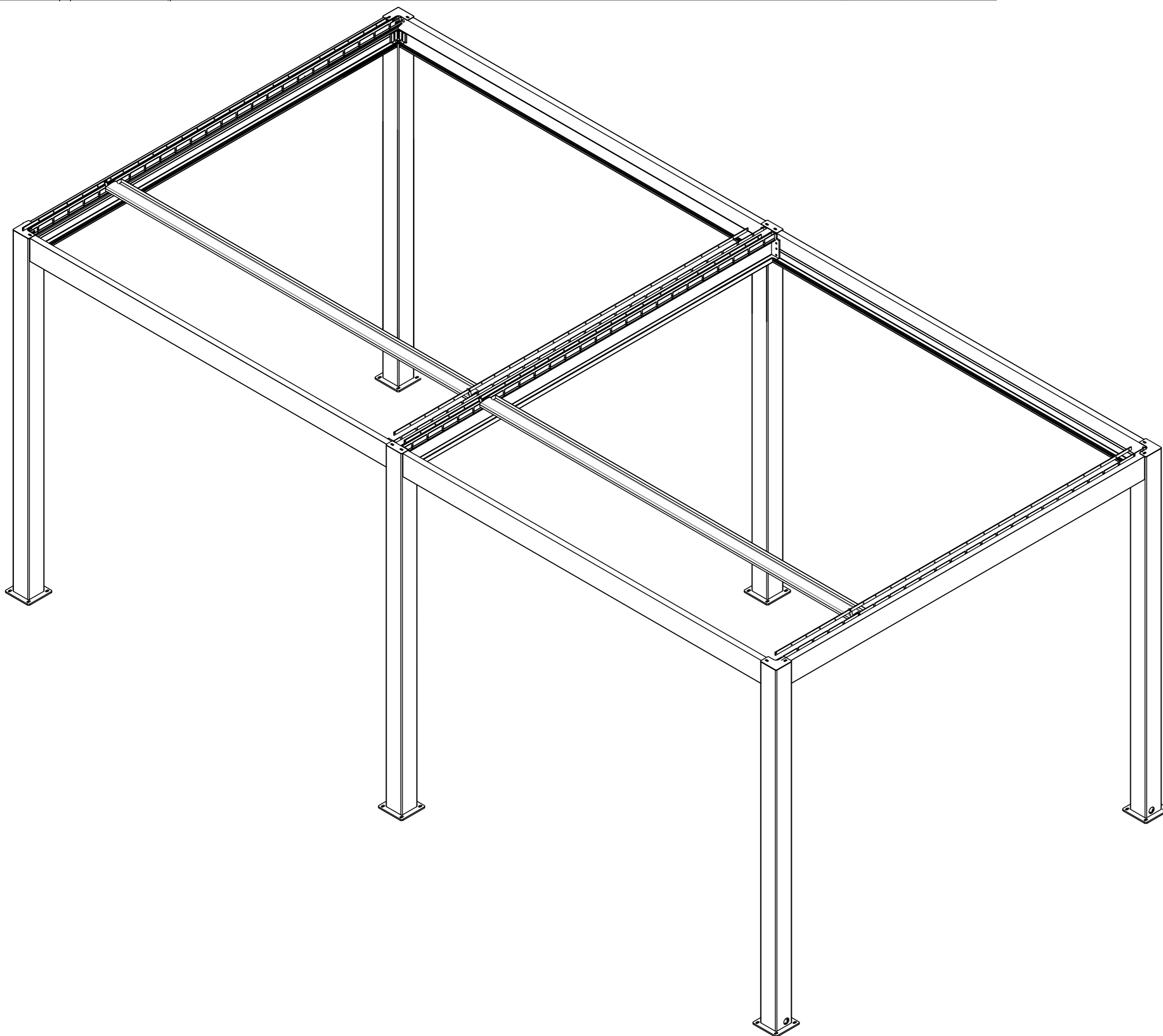
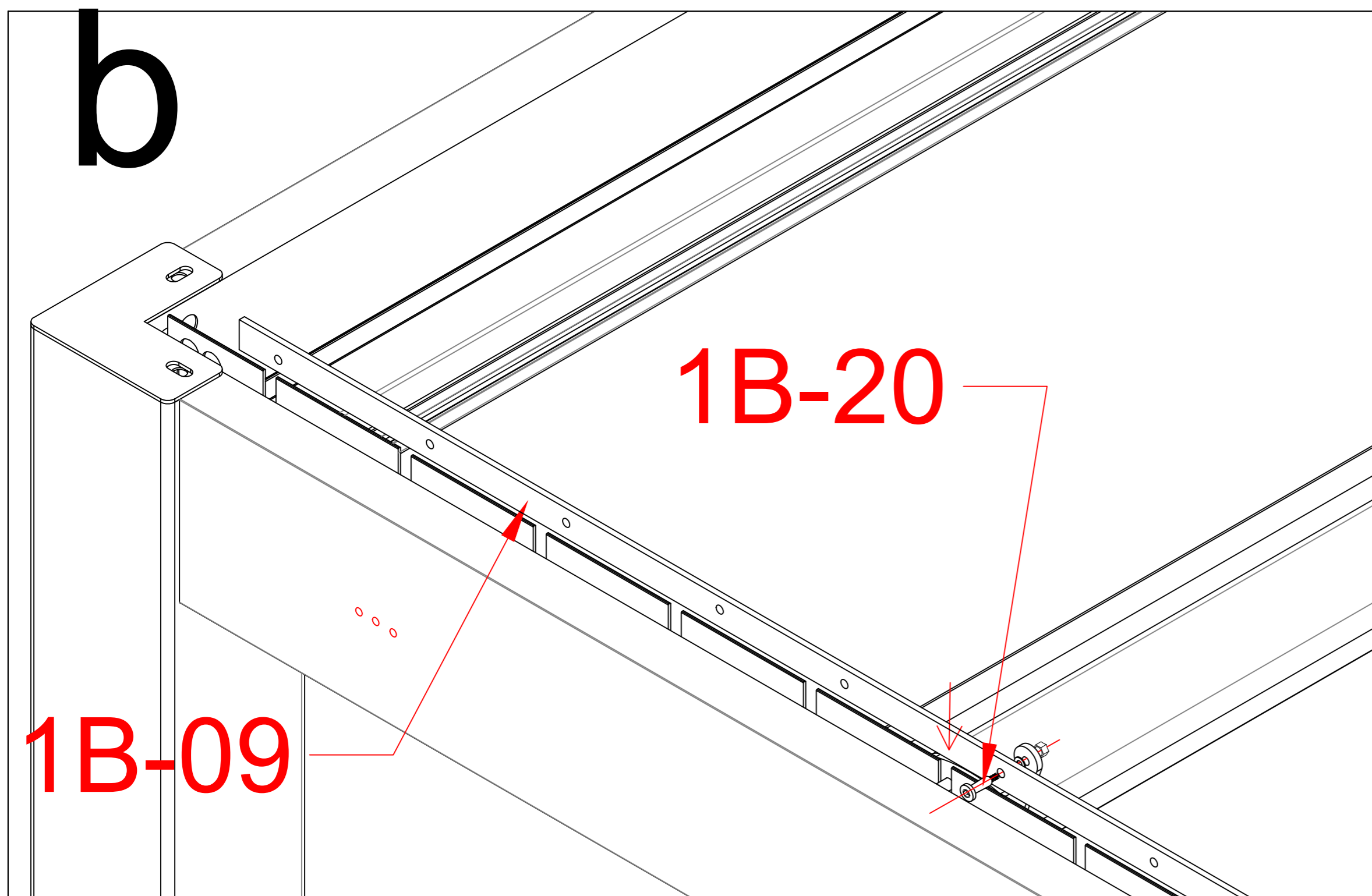
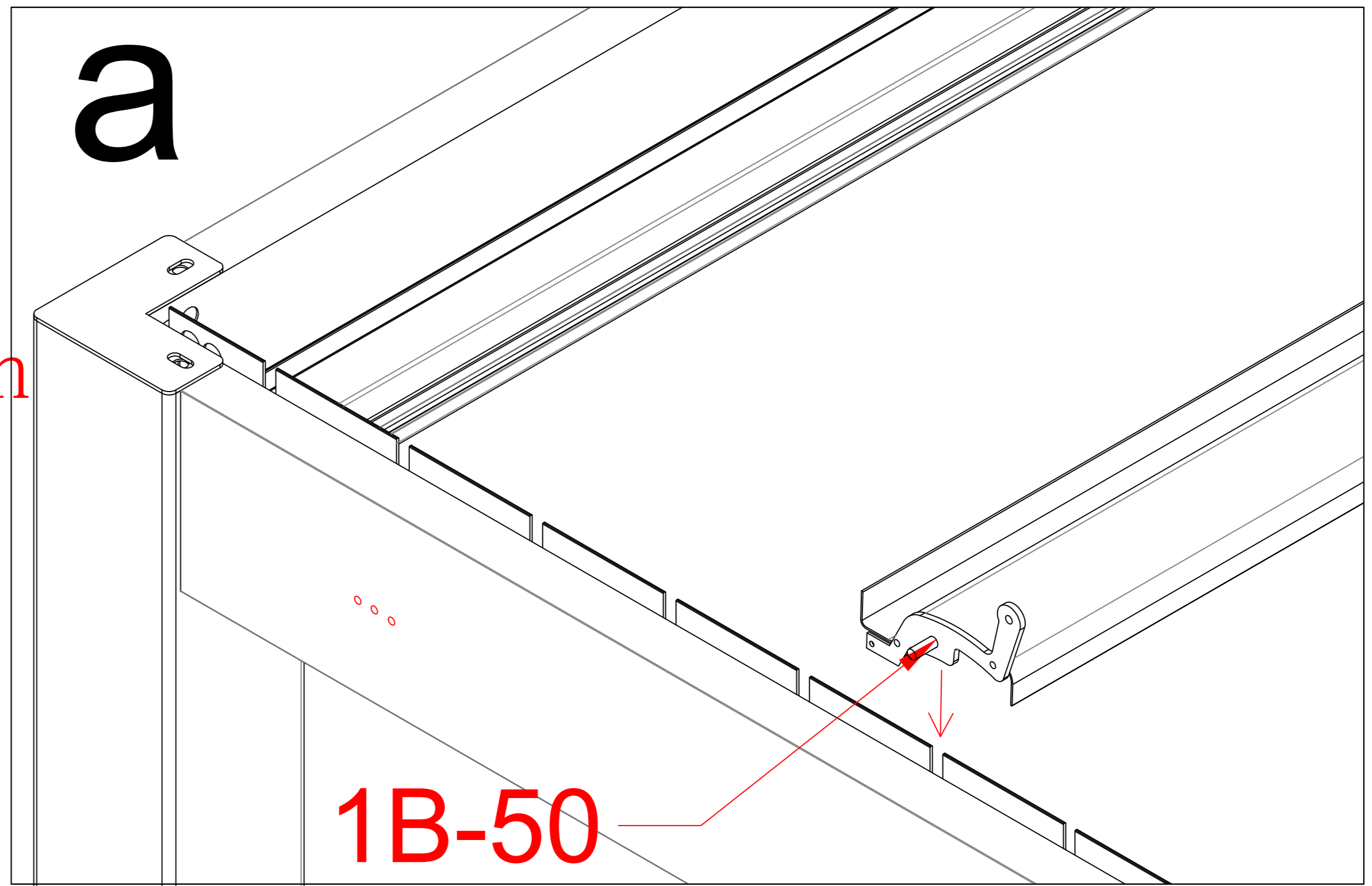


1B-49		65
1B-50		1
1B-51		132

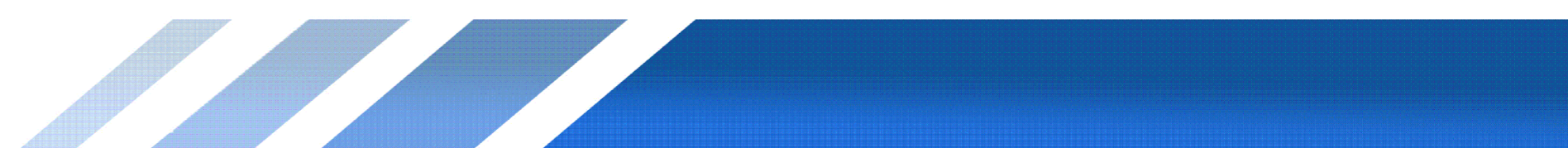


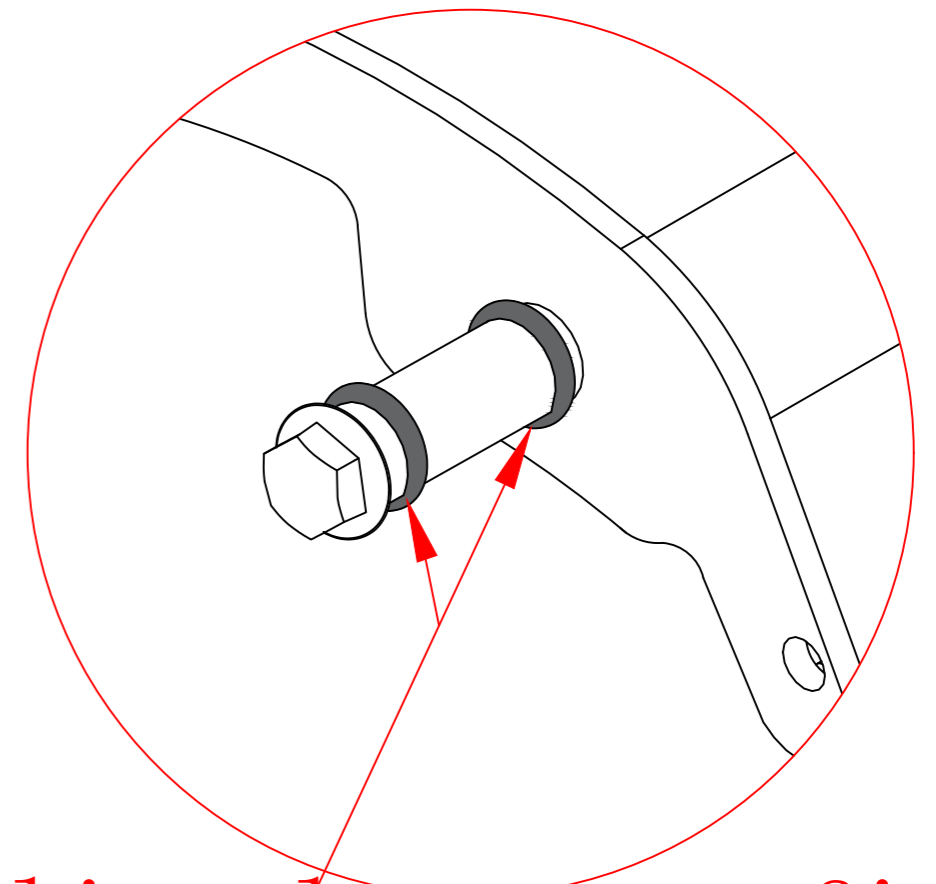
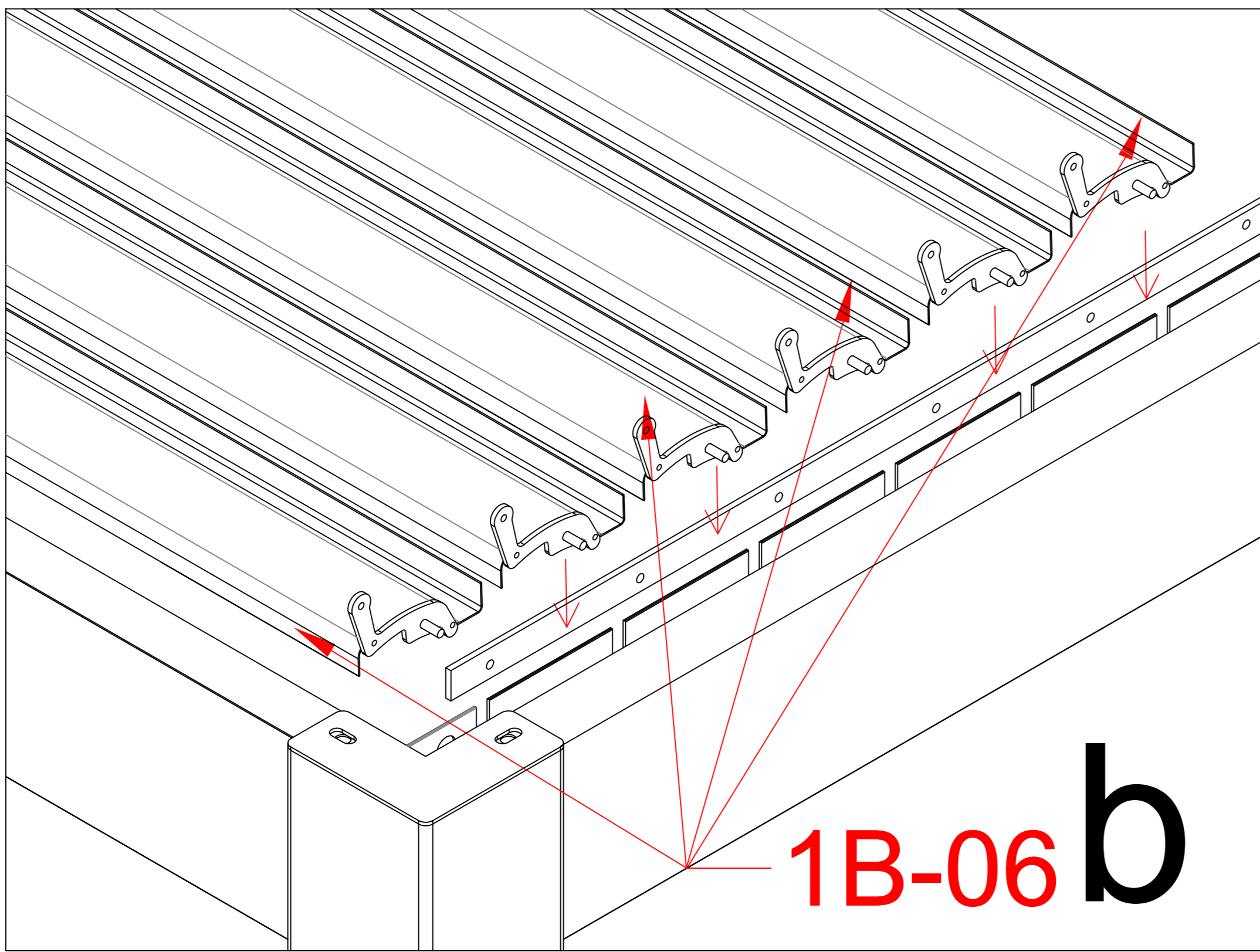


Warning:
 Simultaneous installation
 of driving louvres on both
 sides, and bolts must be
 tightened.



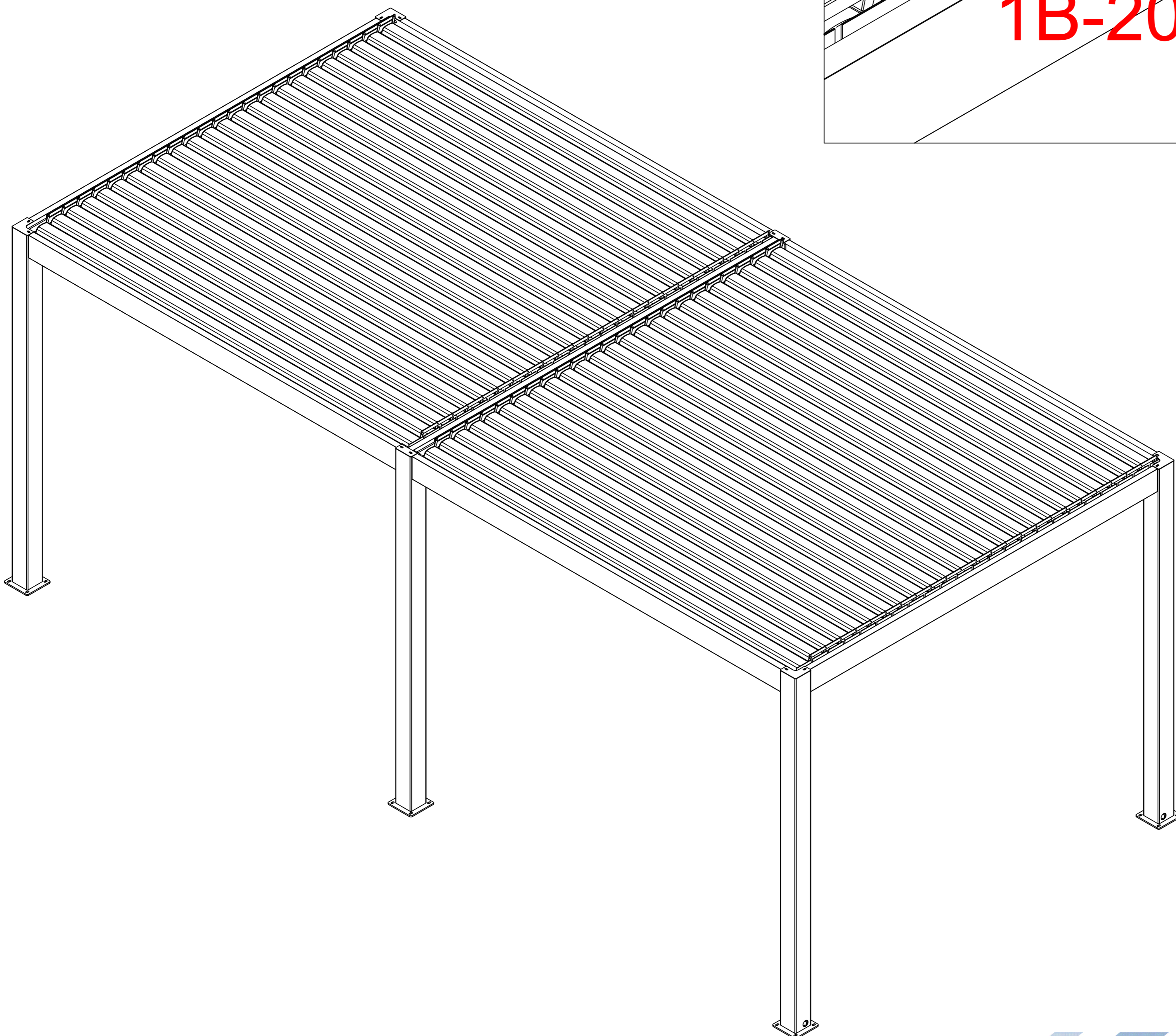
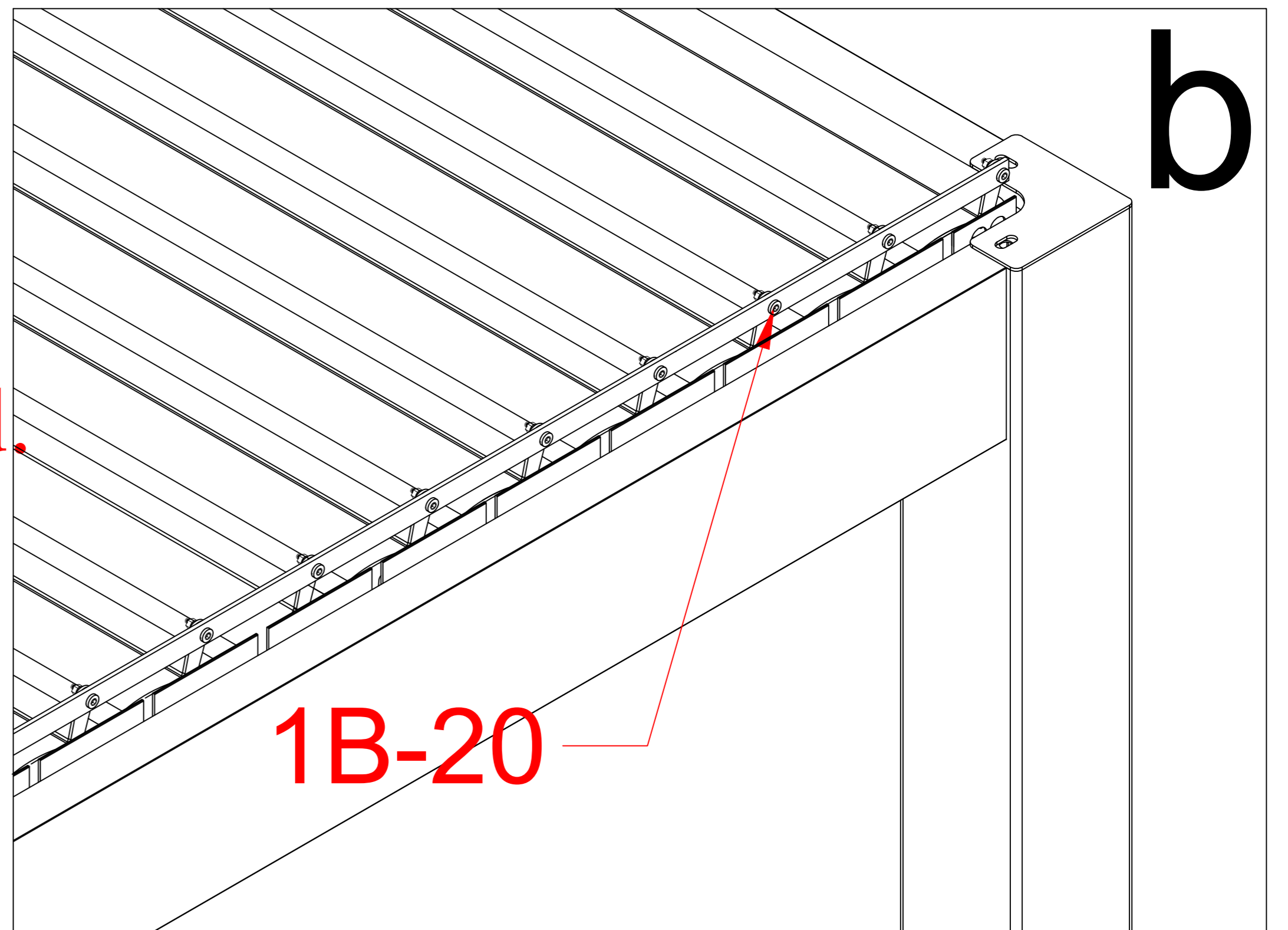
1B-09		4
1B-20		4
1B-06		2



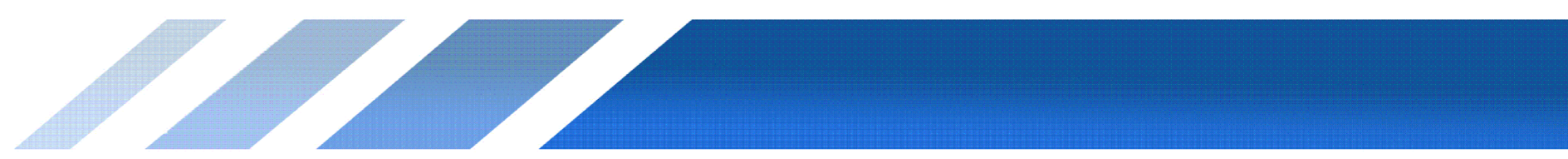


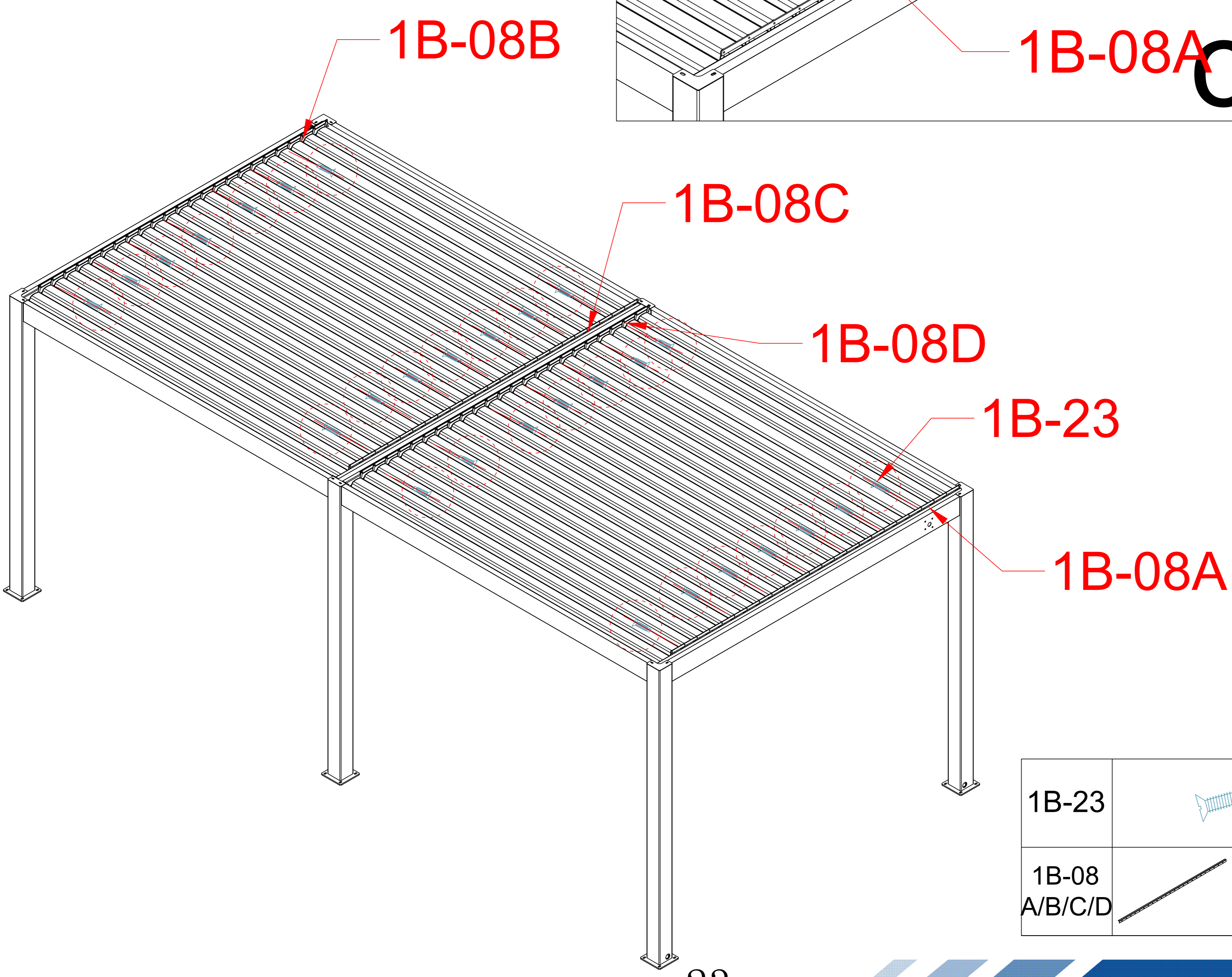
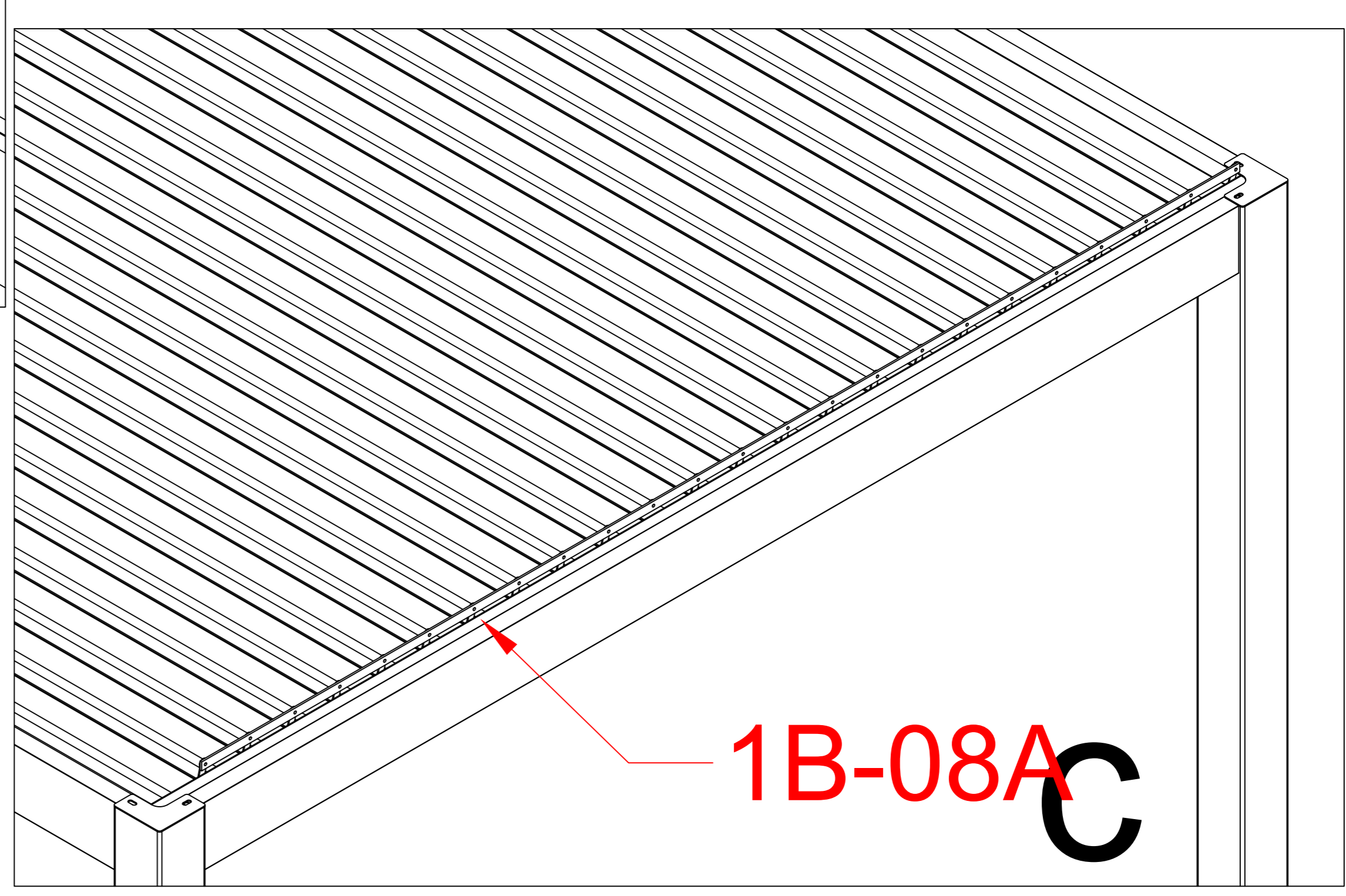
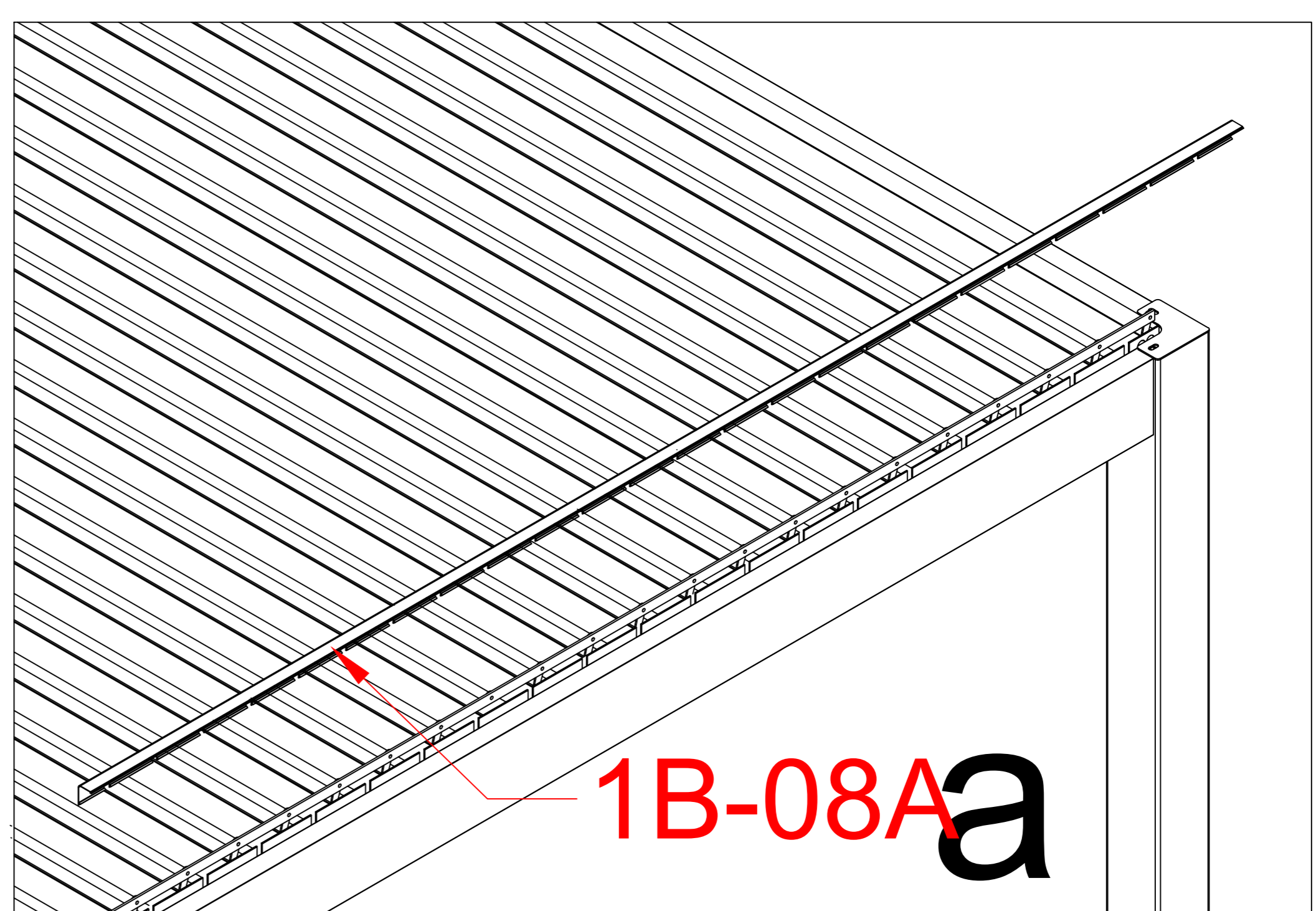
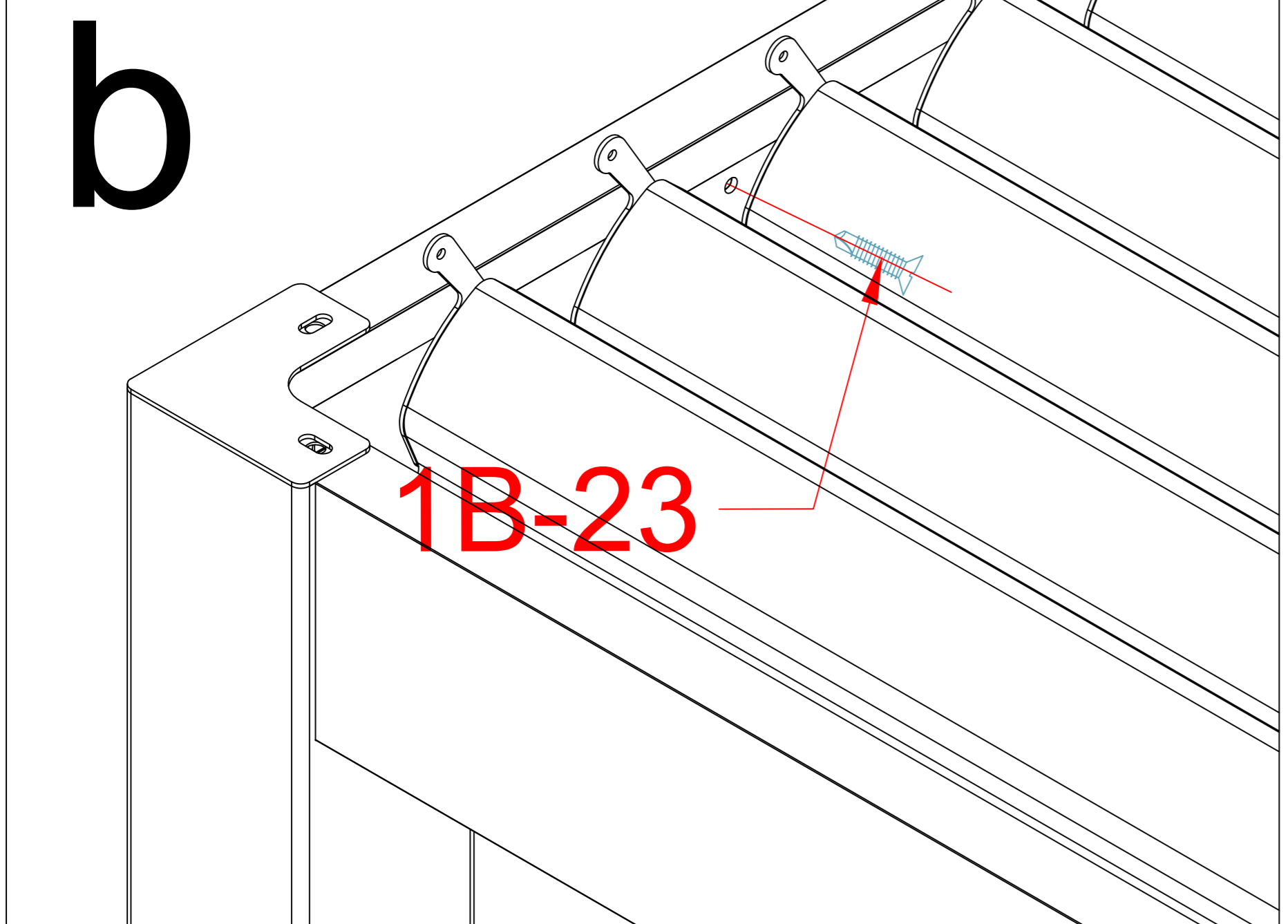
When installing louvers, first separate the two rubber gaskets and slide them to both ends of the circular shaft. Then, please ensure they are closed tightly before proceeding with the next steps of the installation.

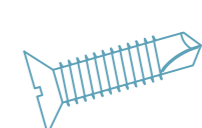
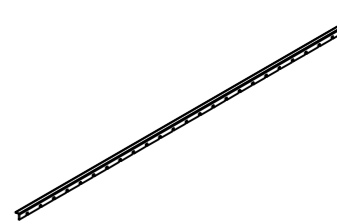
Warning:
Simultaneous installation of louvres on both sides, and bolts must be tightened.



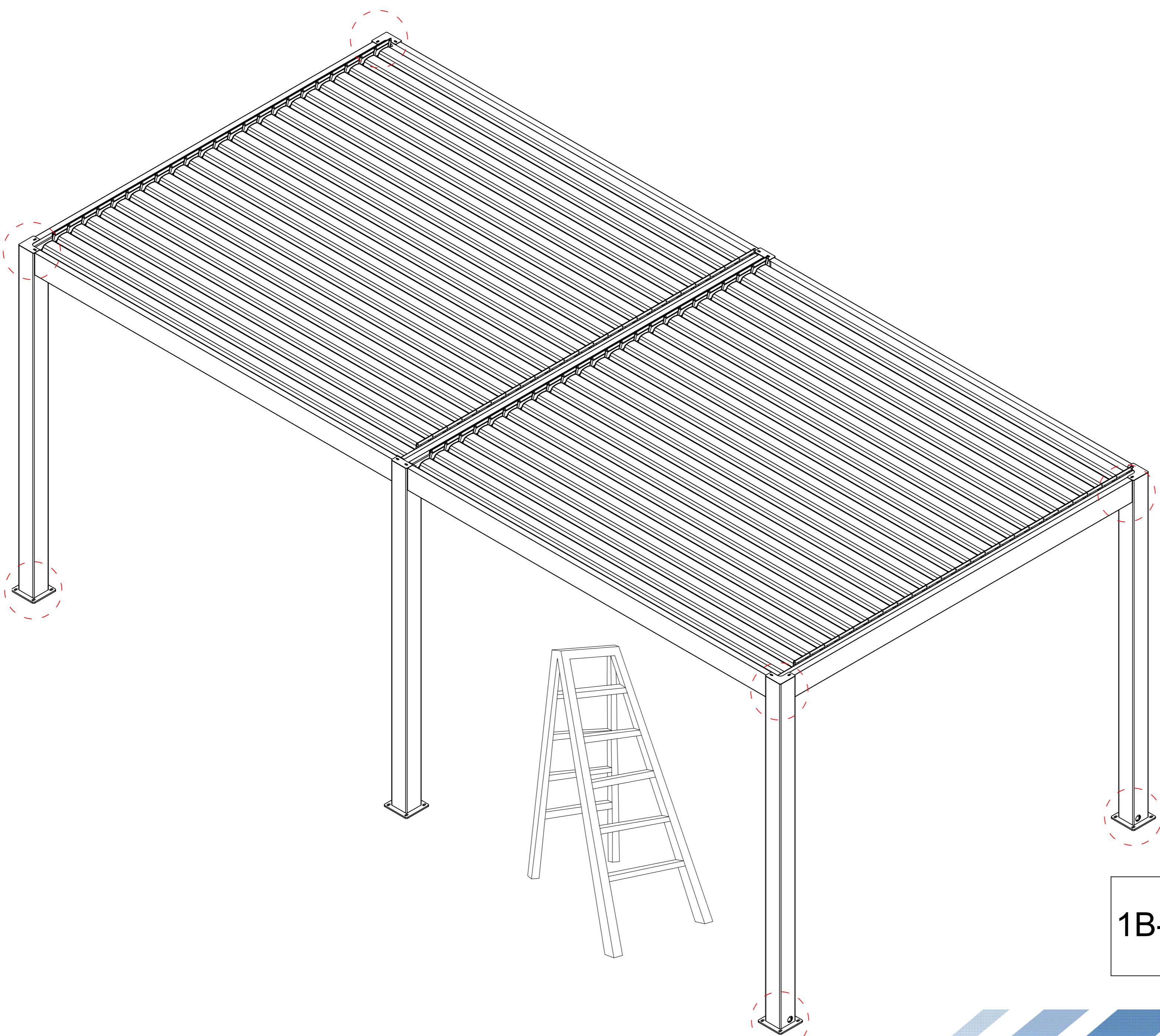
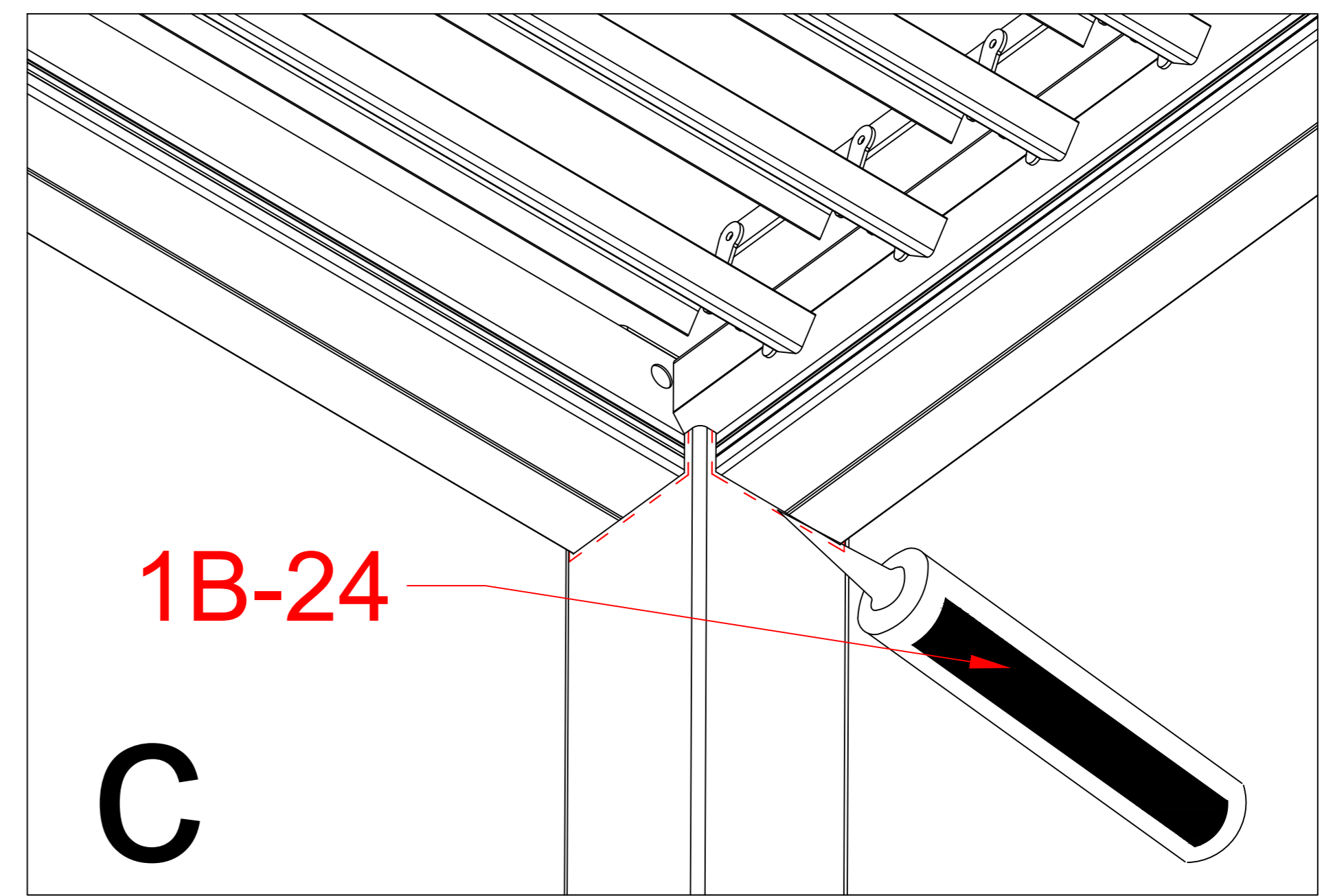
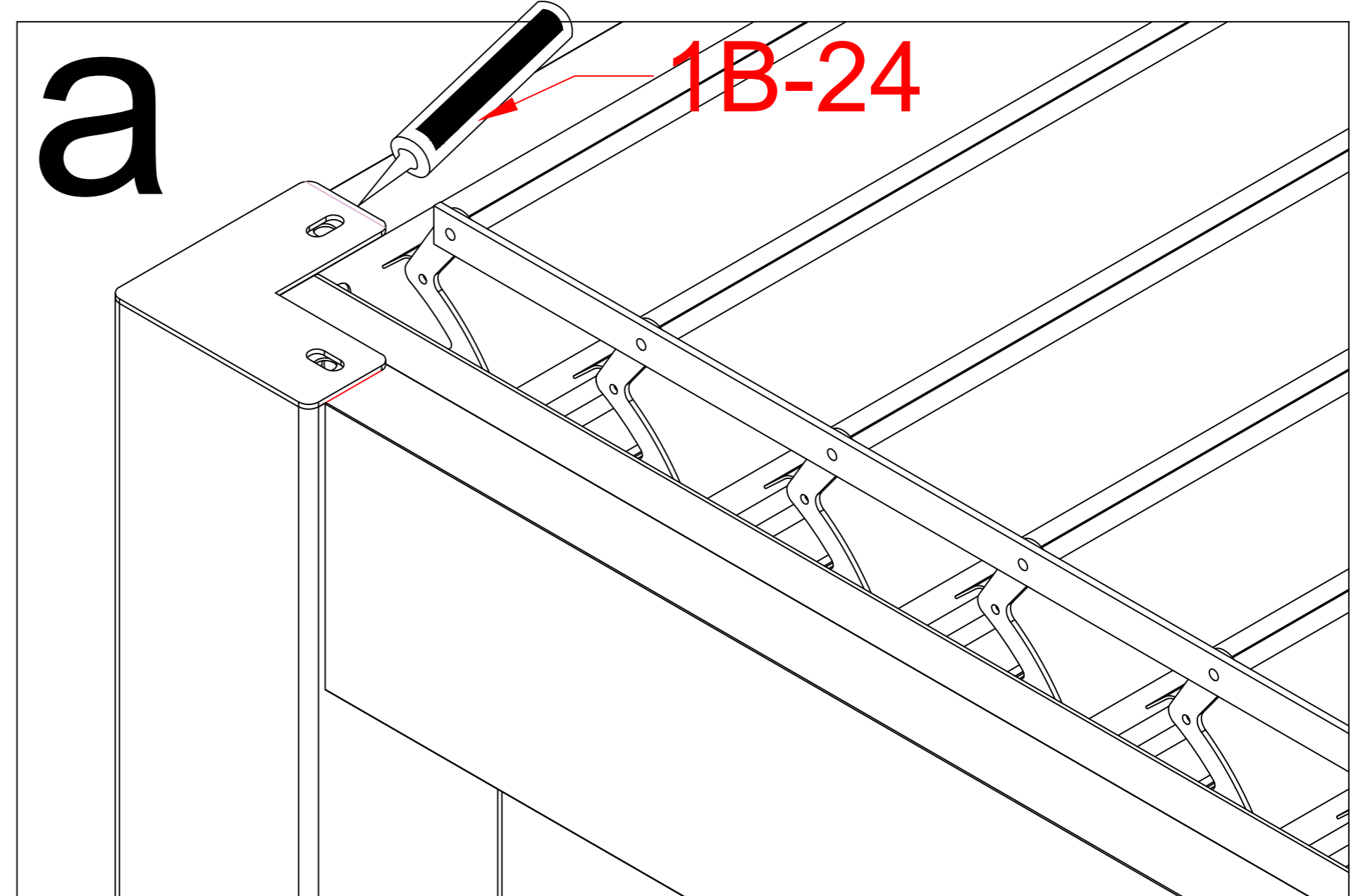
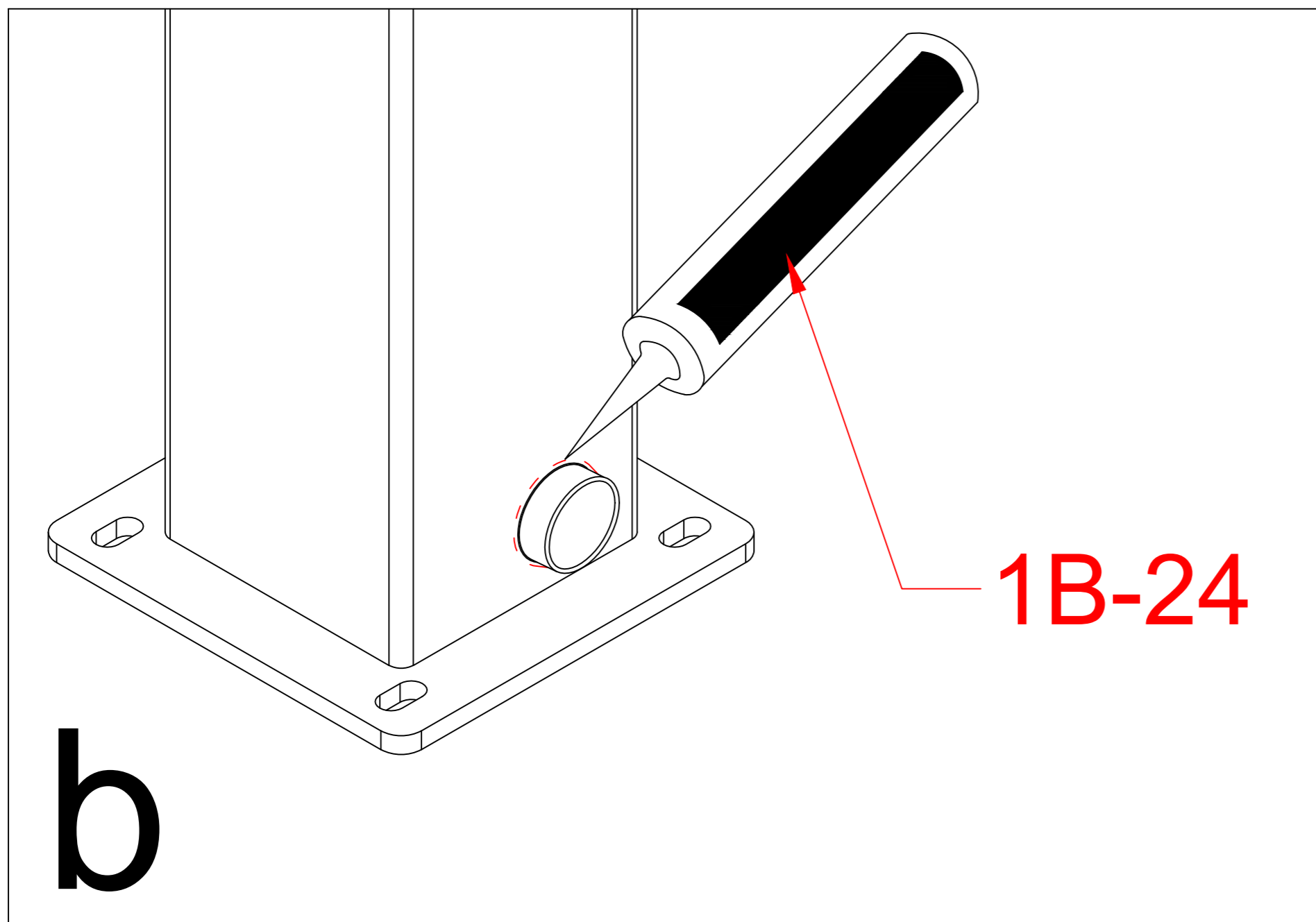
1B-20		128
1B-06		64

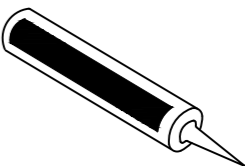


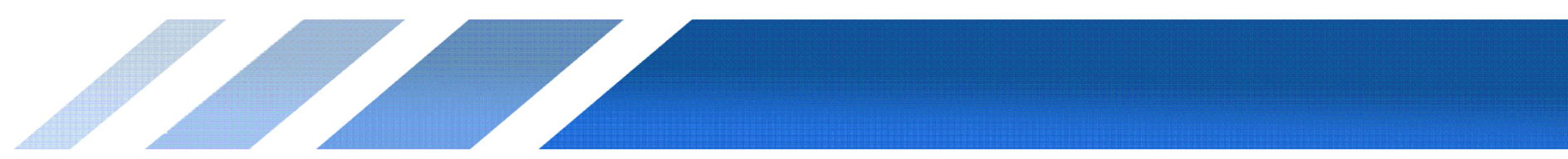


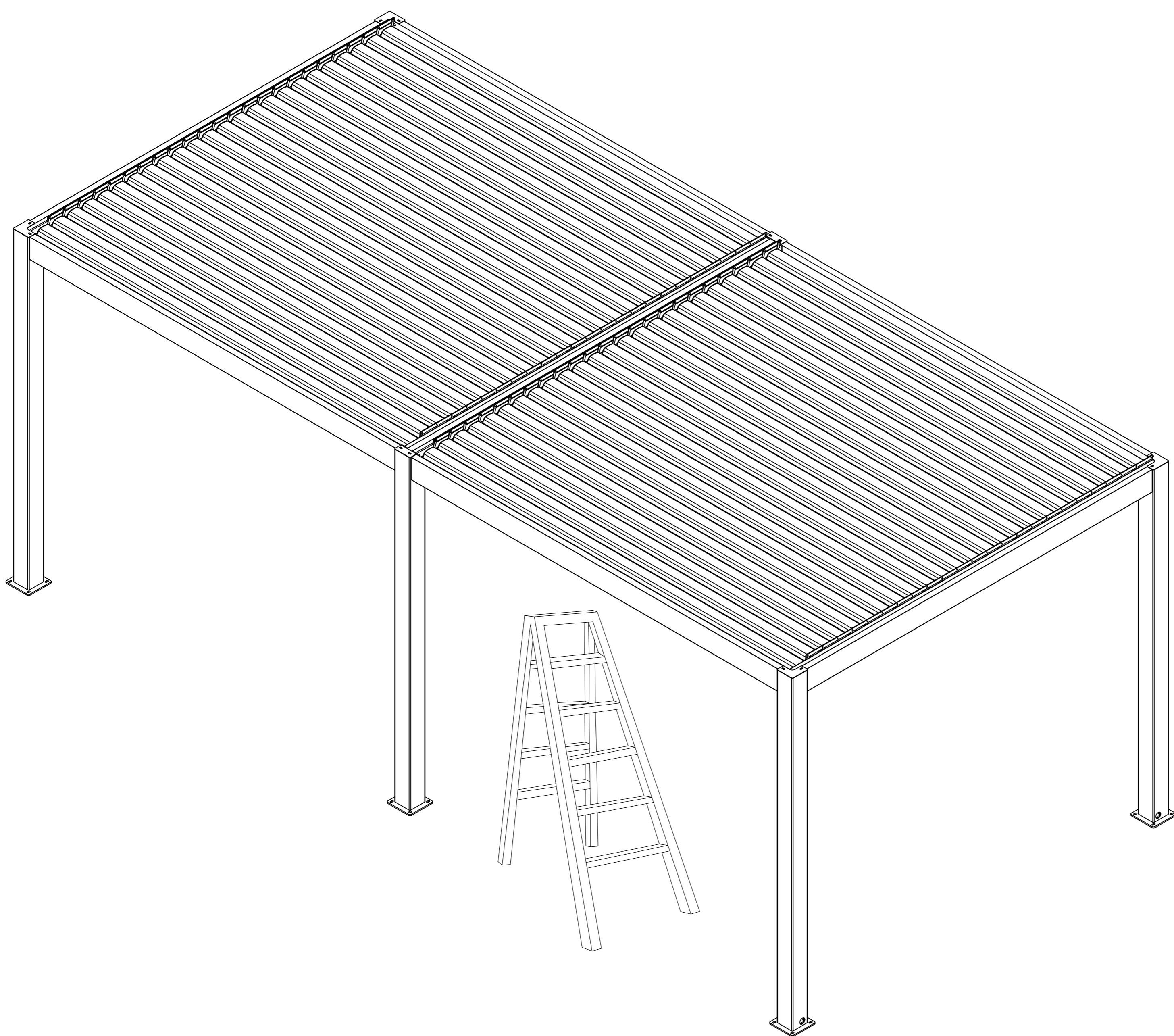
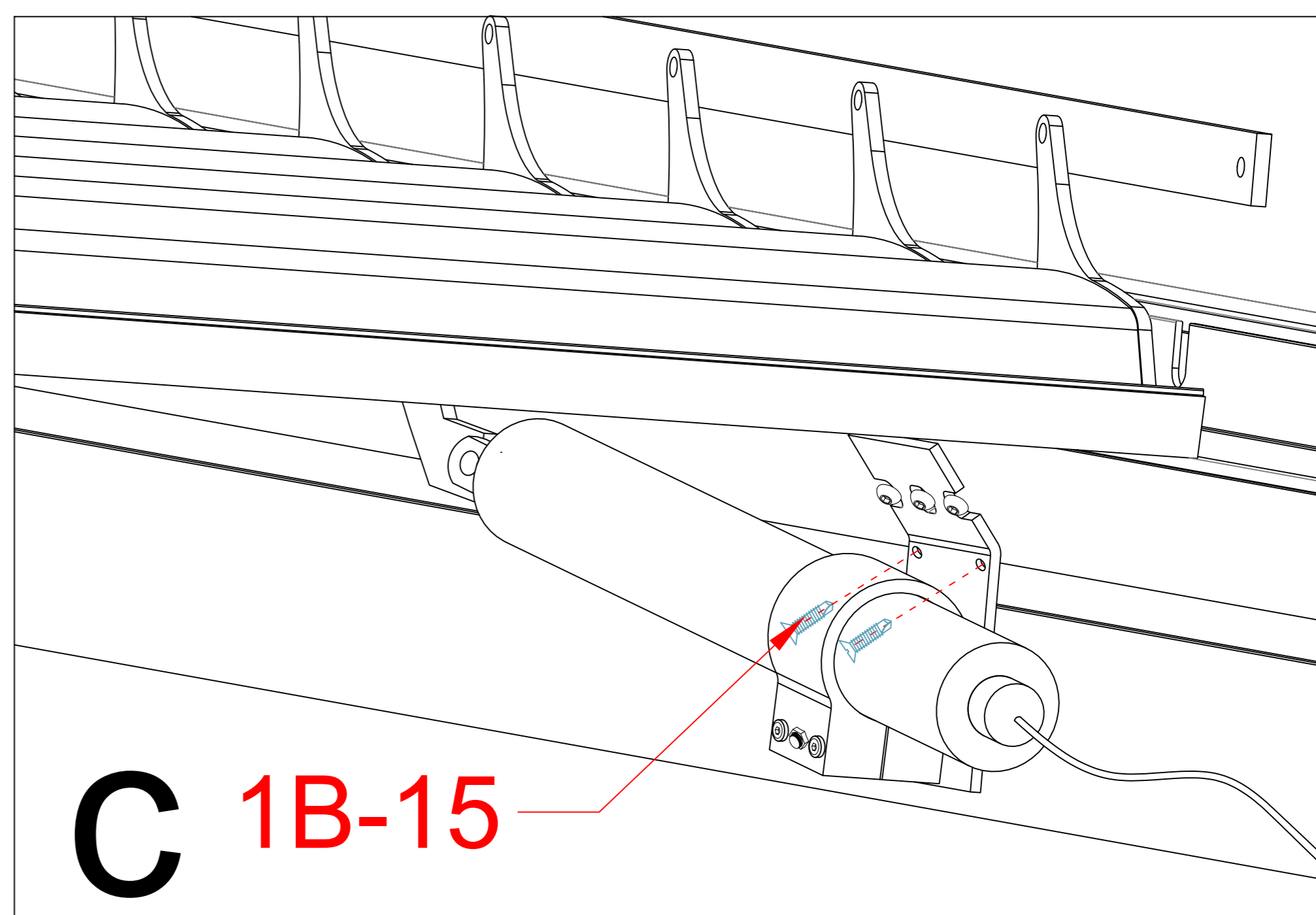
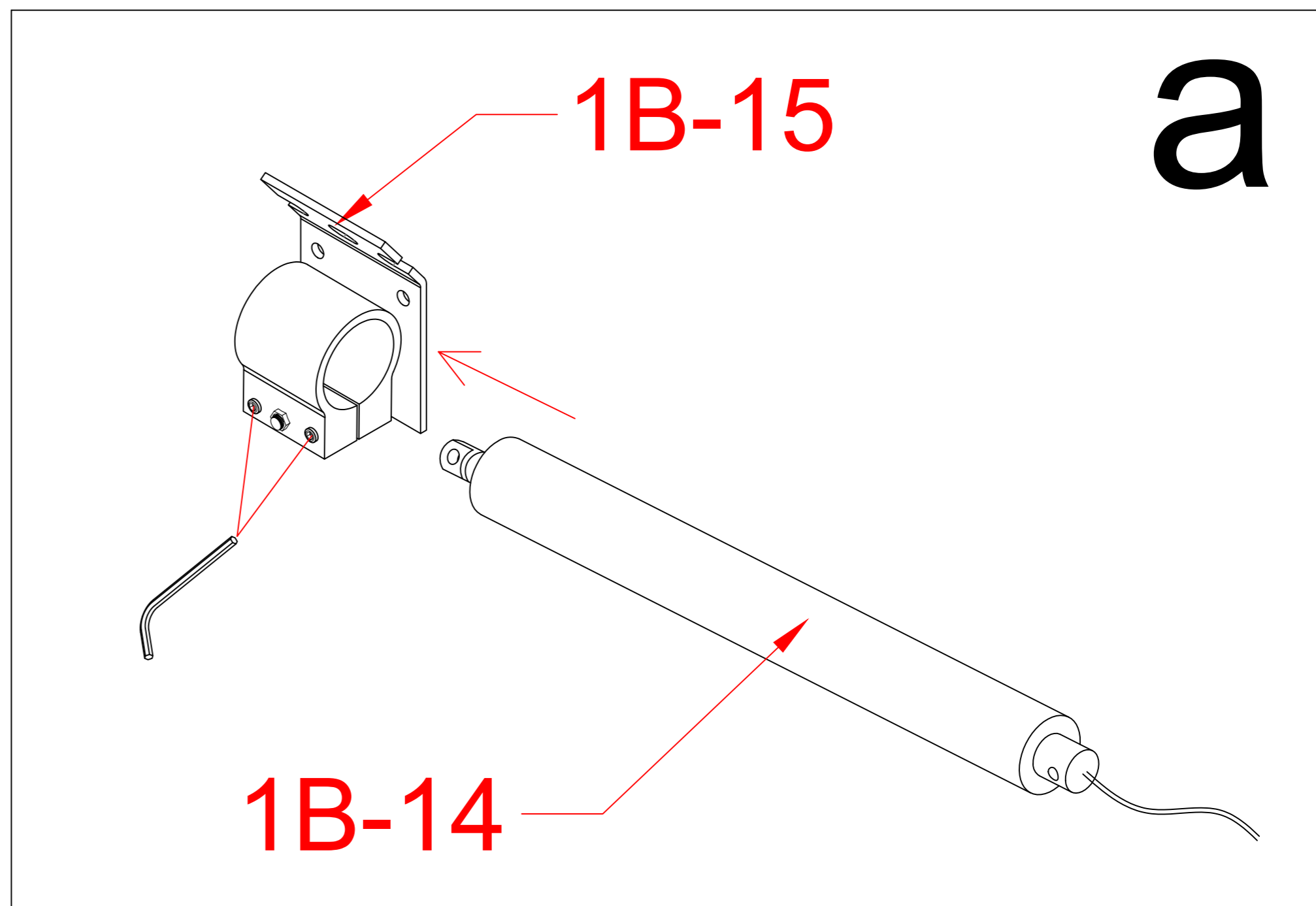
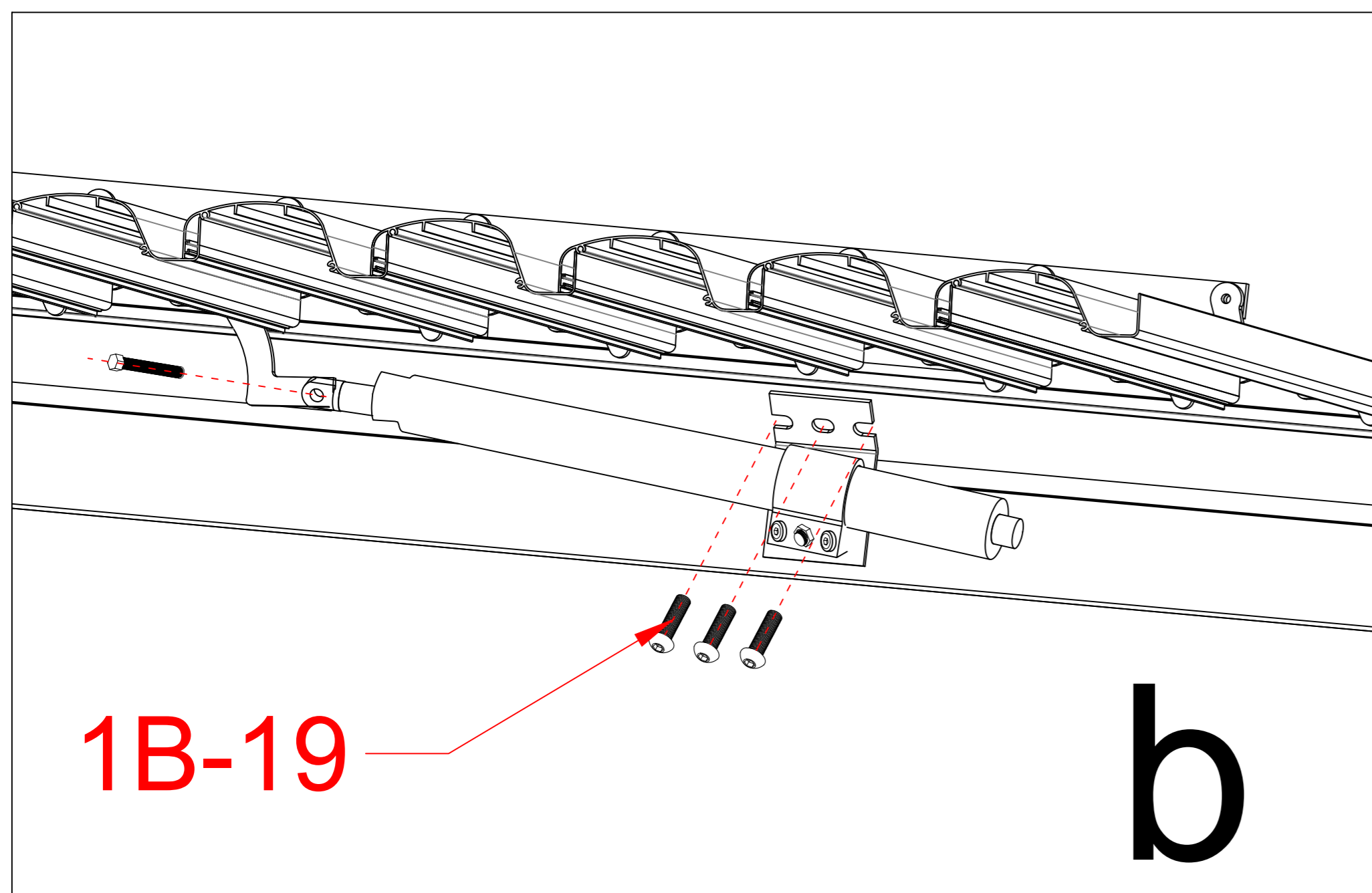
1B-23		28
1B-08 A/B/C/D		4


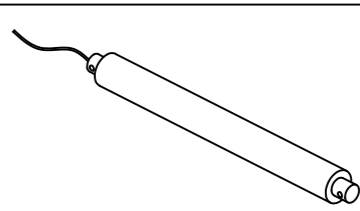
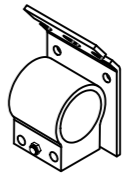
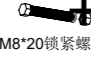



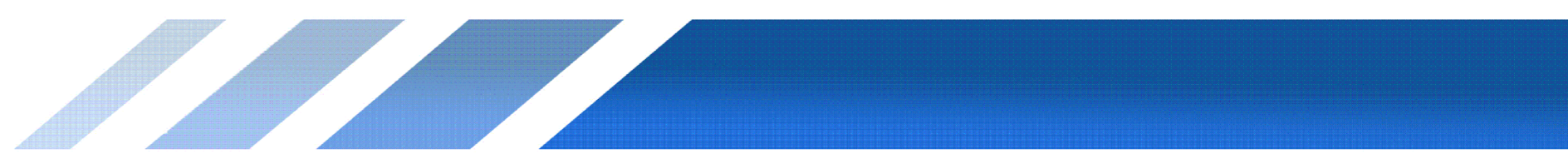


1B-24		1
-------	---	---



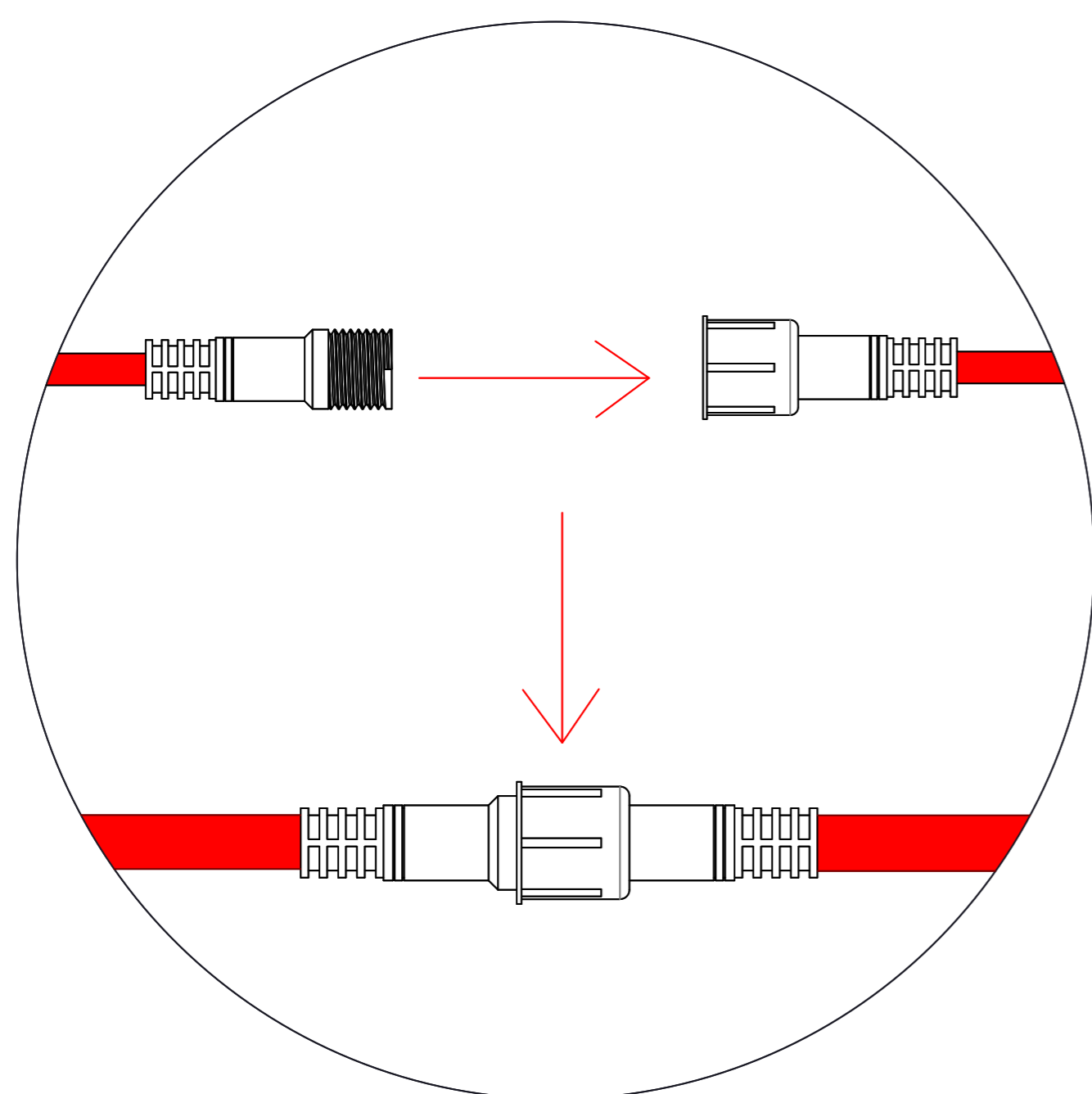
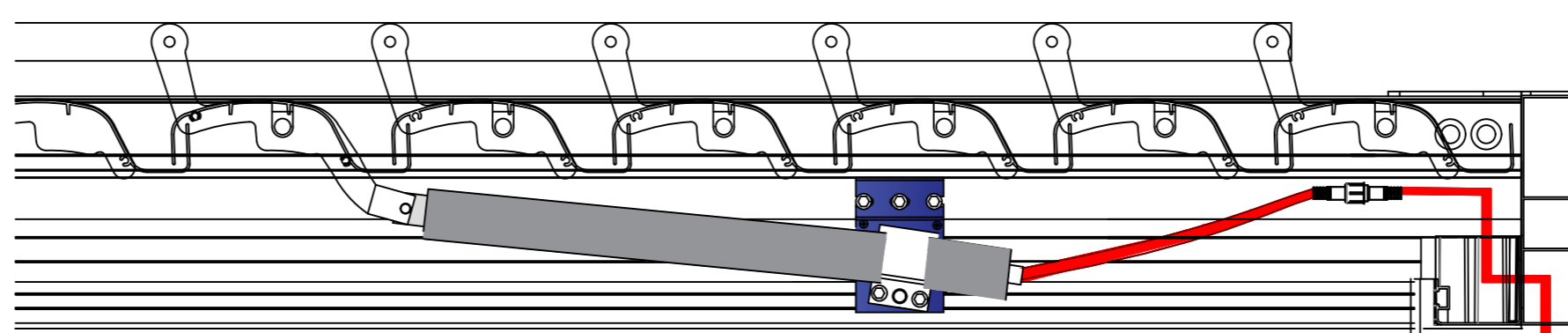


1B-19		6
1B-14		2
1B-15	  	2





The control box is on the post



Motor controller

1B-31

1B-30

AC 220V

Wires Diagram

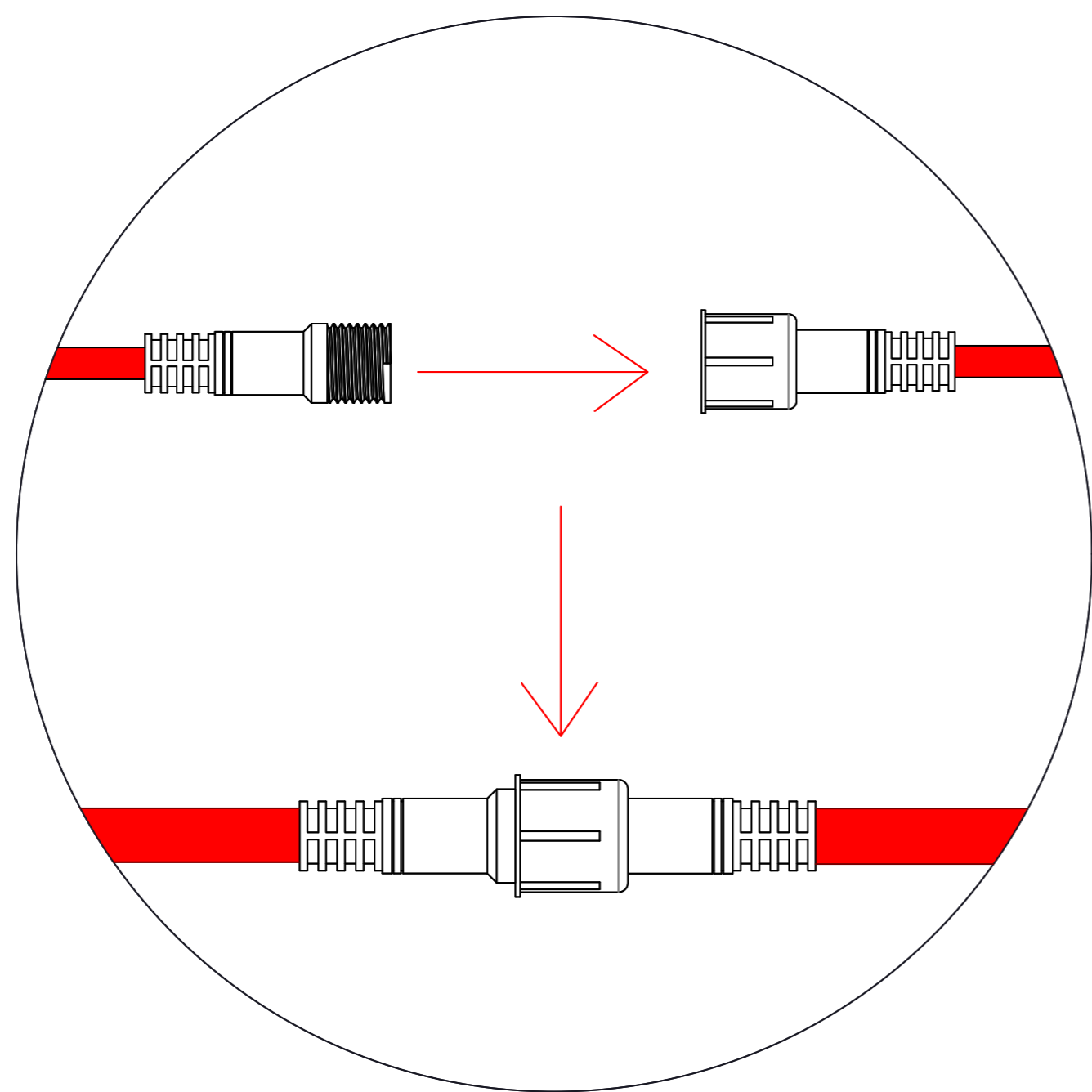
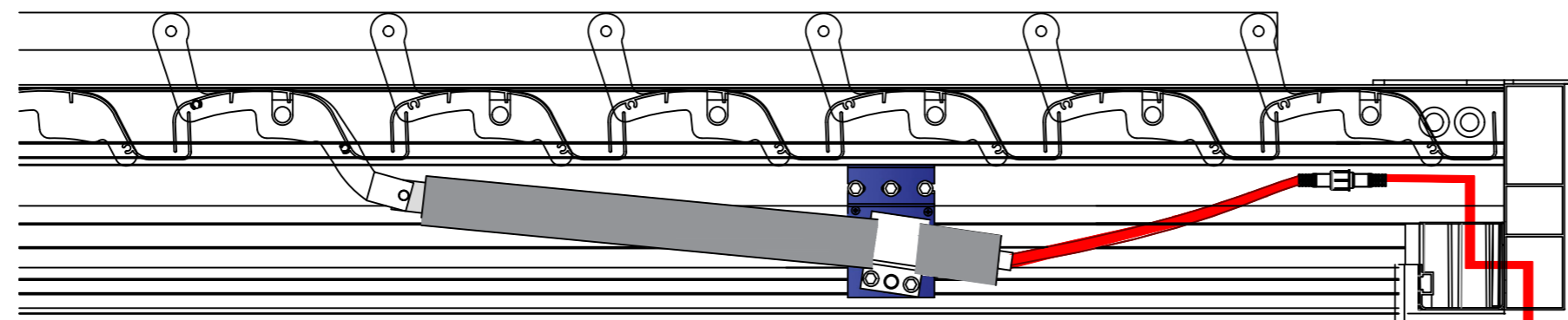
Power in: 220V
Power Out To
Motor: DC24V

1B-30		2
1B-31		2





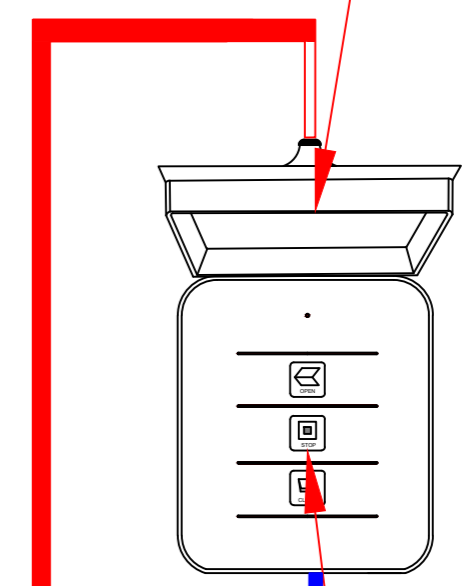
The control box is not on the post



Wires Diagram

Power in: 220V
Power Out To Motor: DC24V

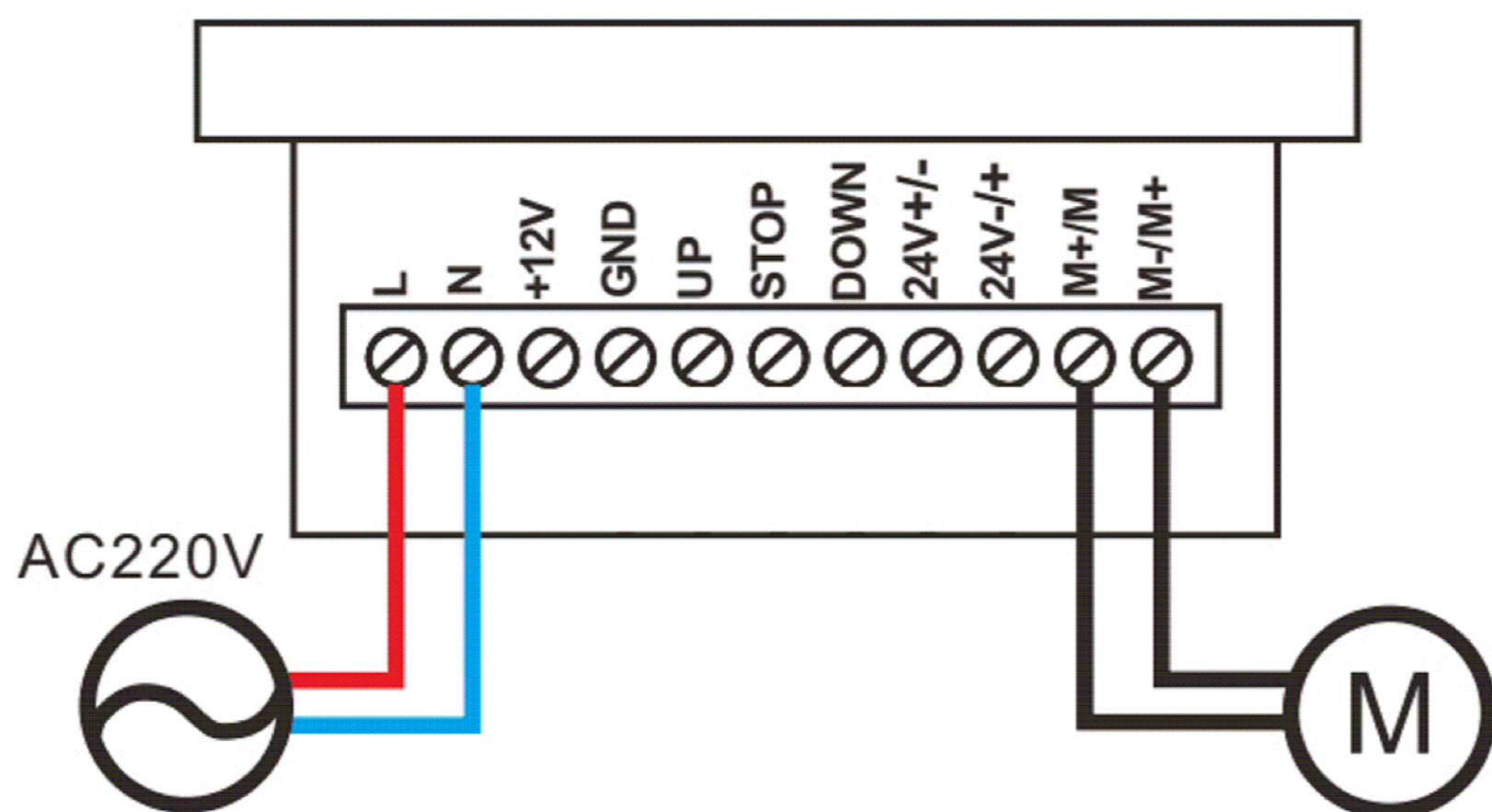
MOTOR 1B-31

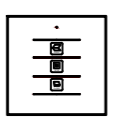

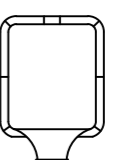


1B-30

AC 220V

E022
E012



1B-30	 	2
1B-31		2

