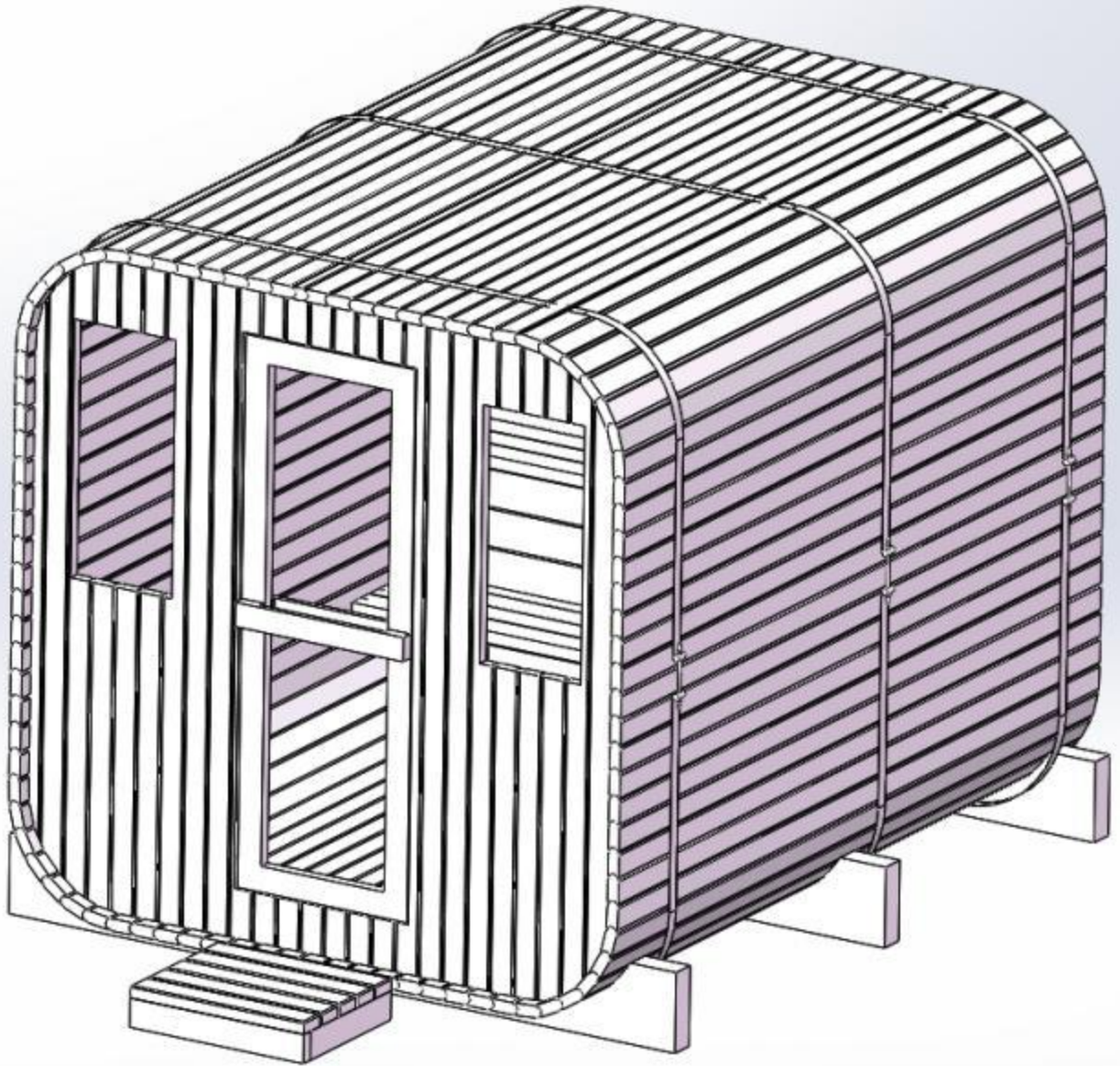
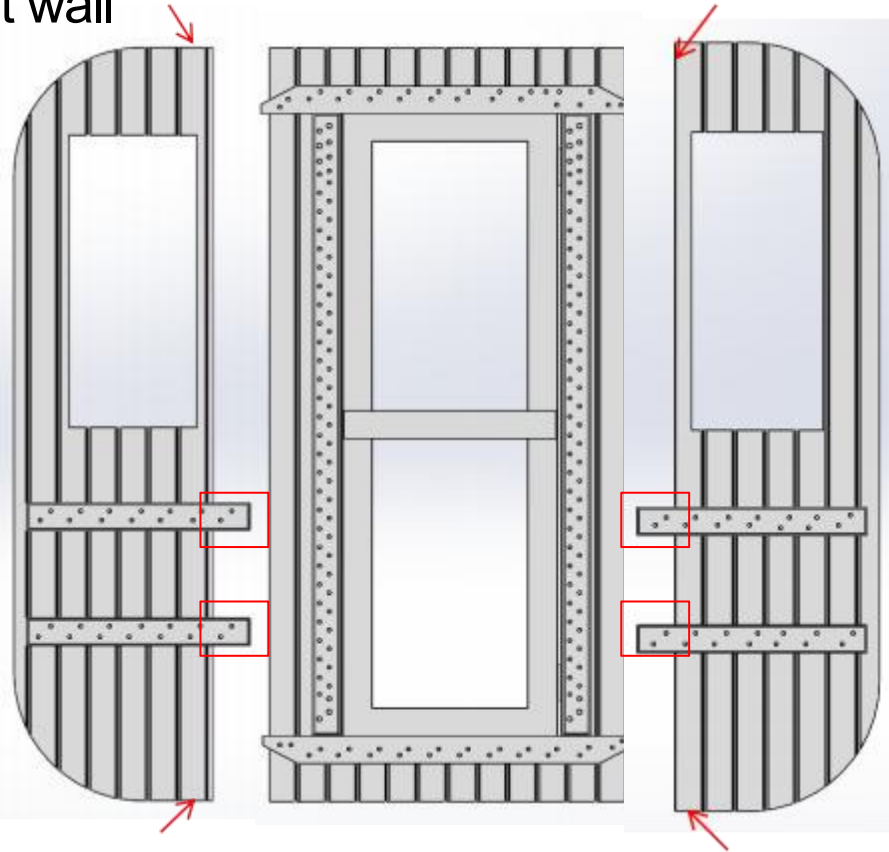


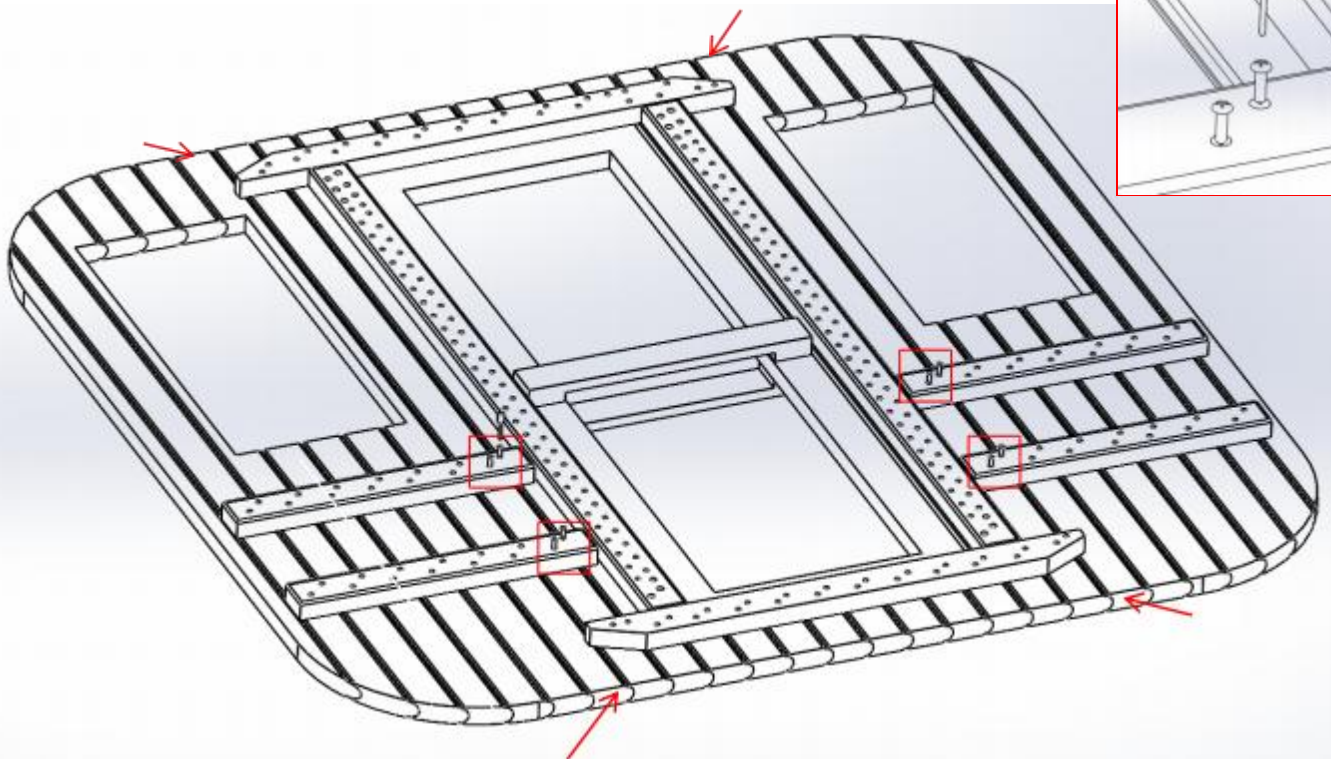
# Square Outdoor Sauna Room



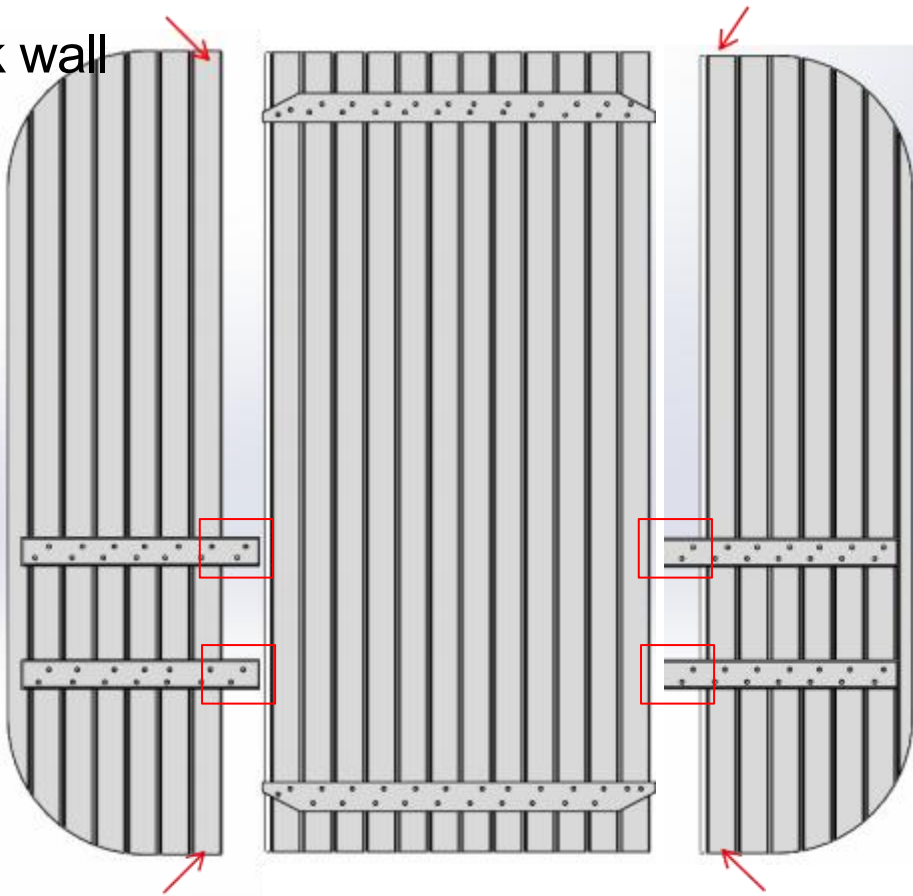
# 1. Front wall



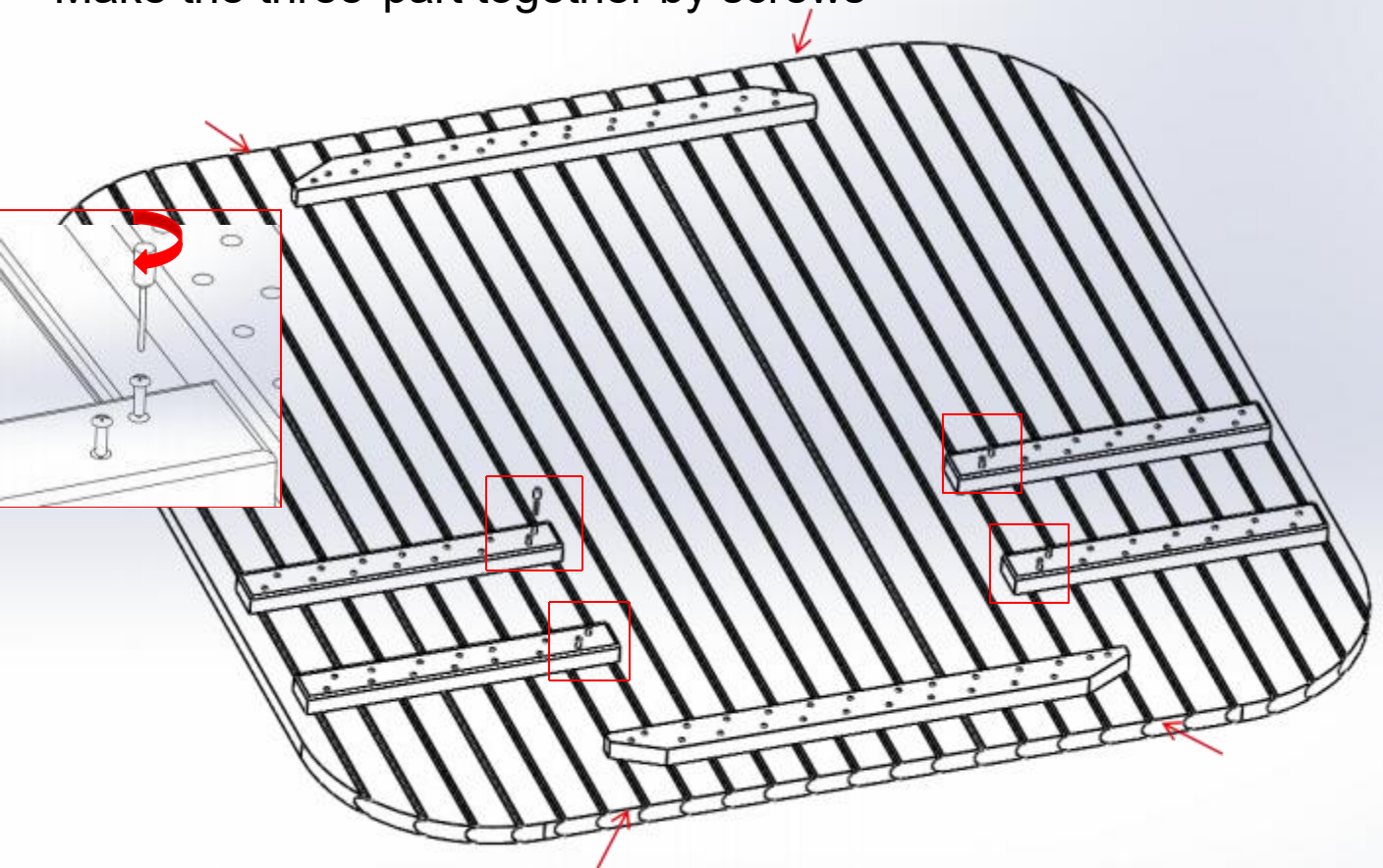
Make the three part together by screws



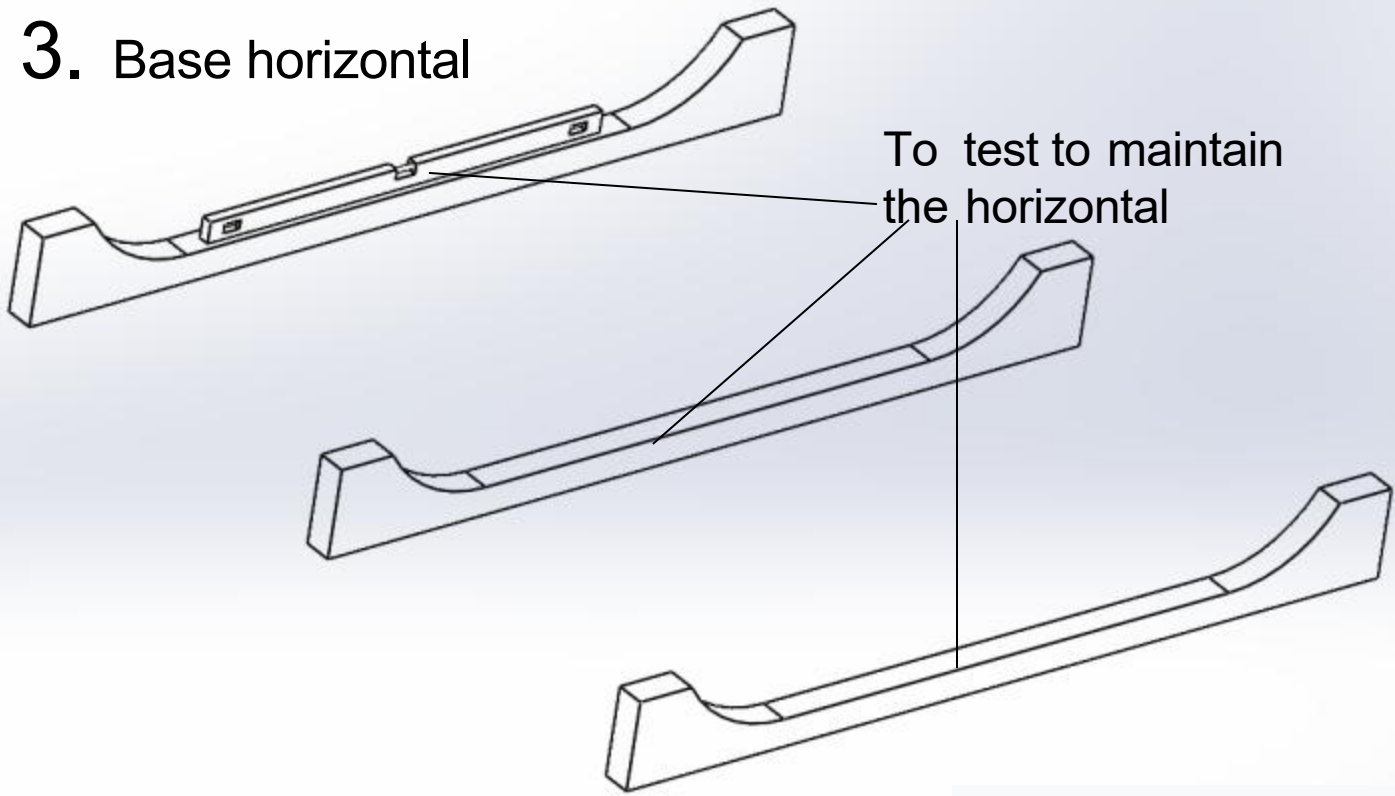
## 2. Back wall



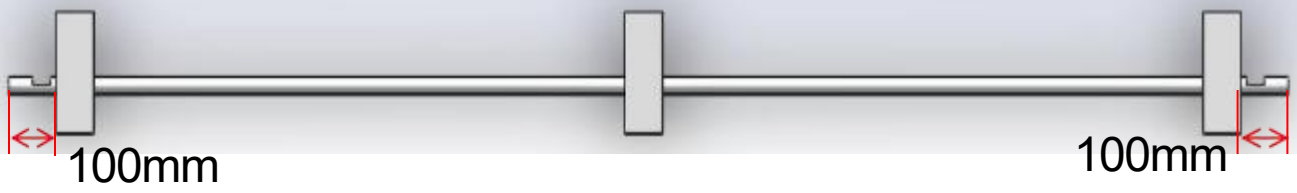
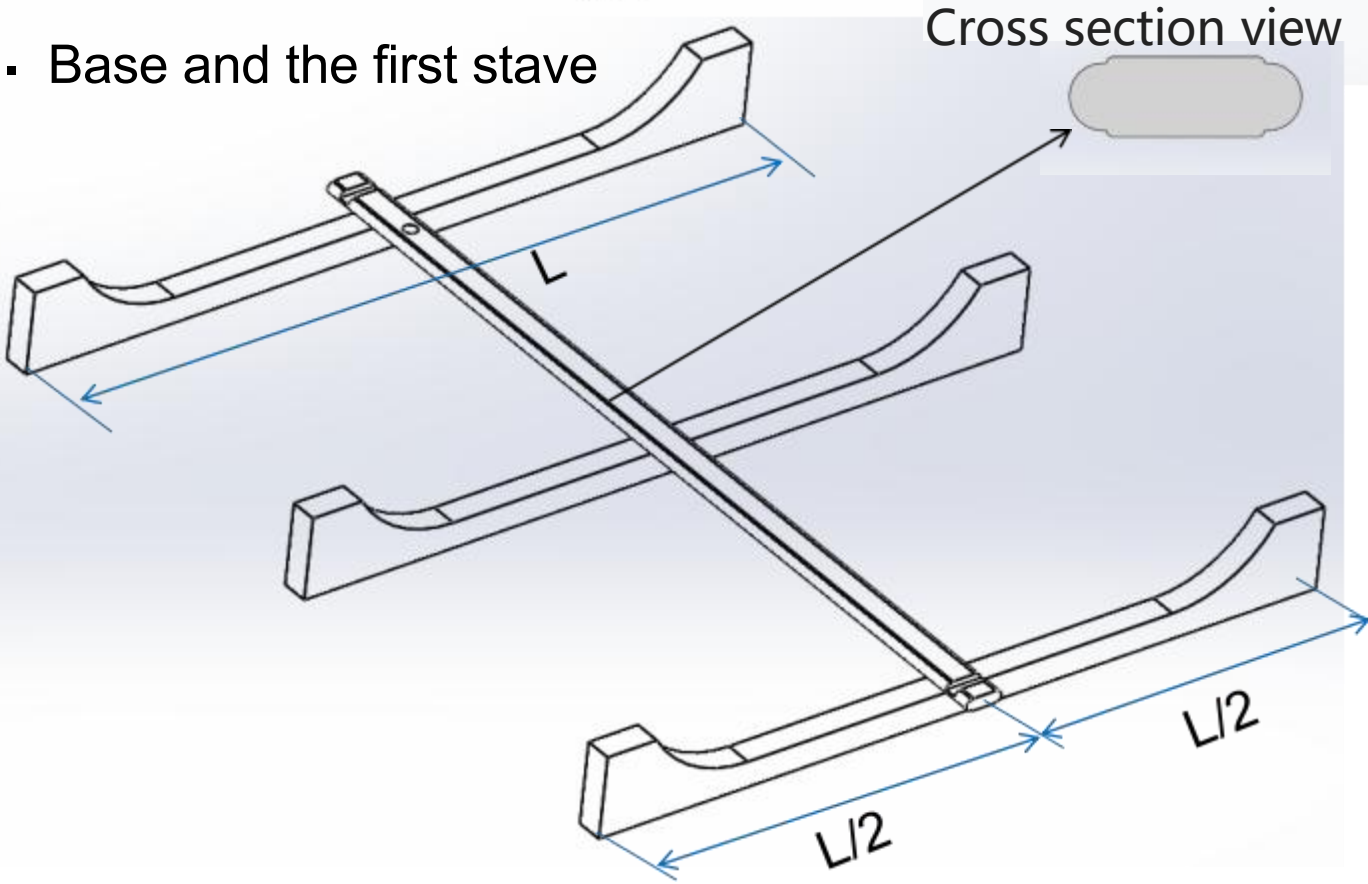
Make the three part together by screws



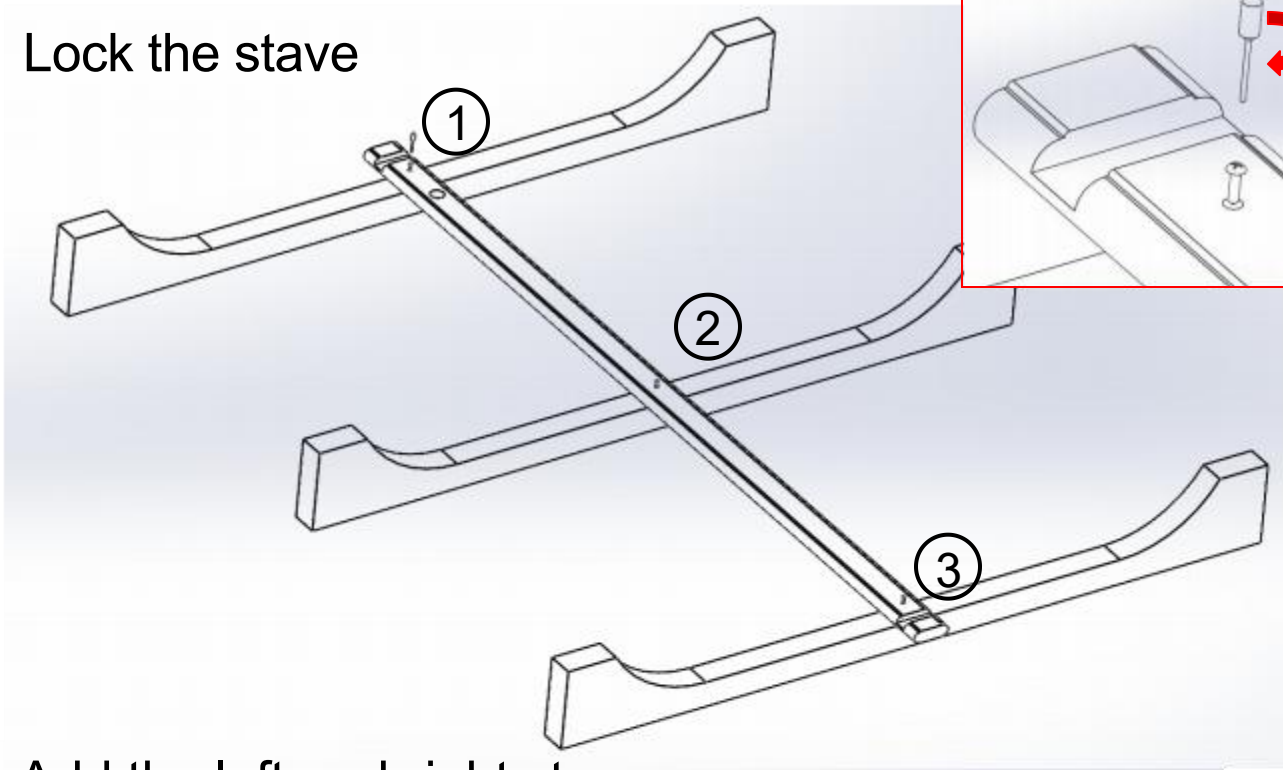
### 3. Base horizontal



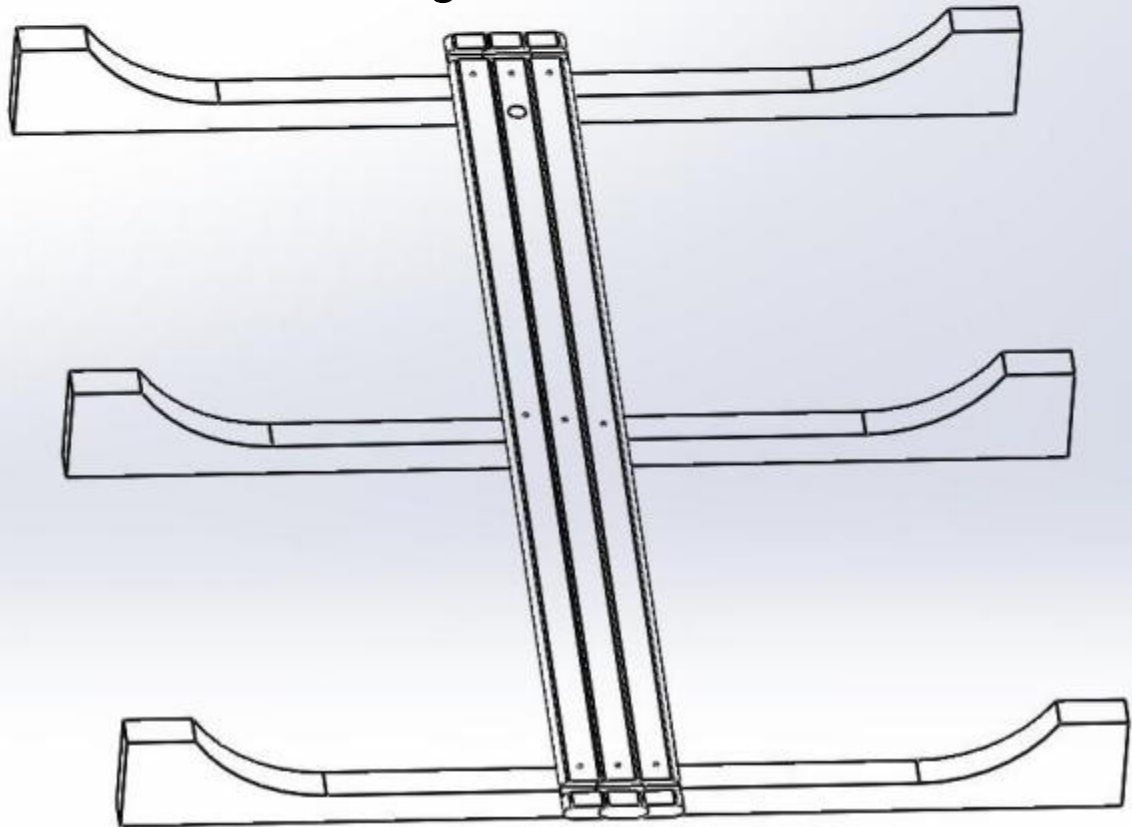
### 4. Base and the first stave



# 5. Lock the stave



# 6. Add the left and right stave



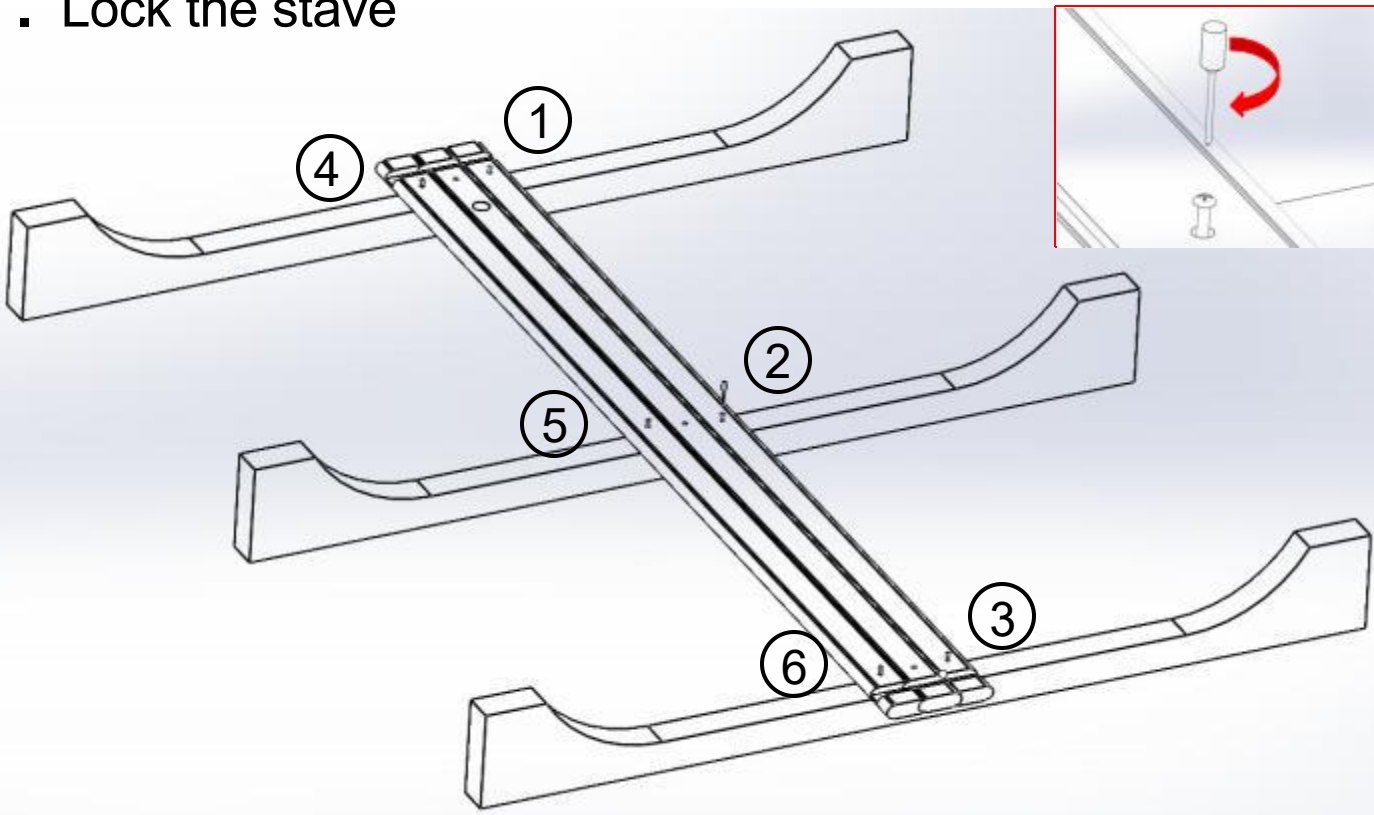
left

right

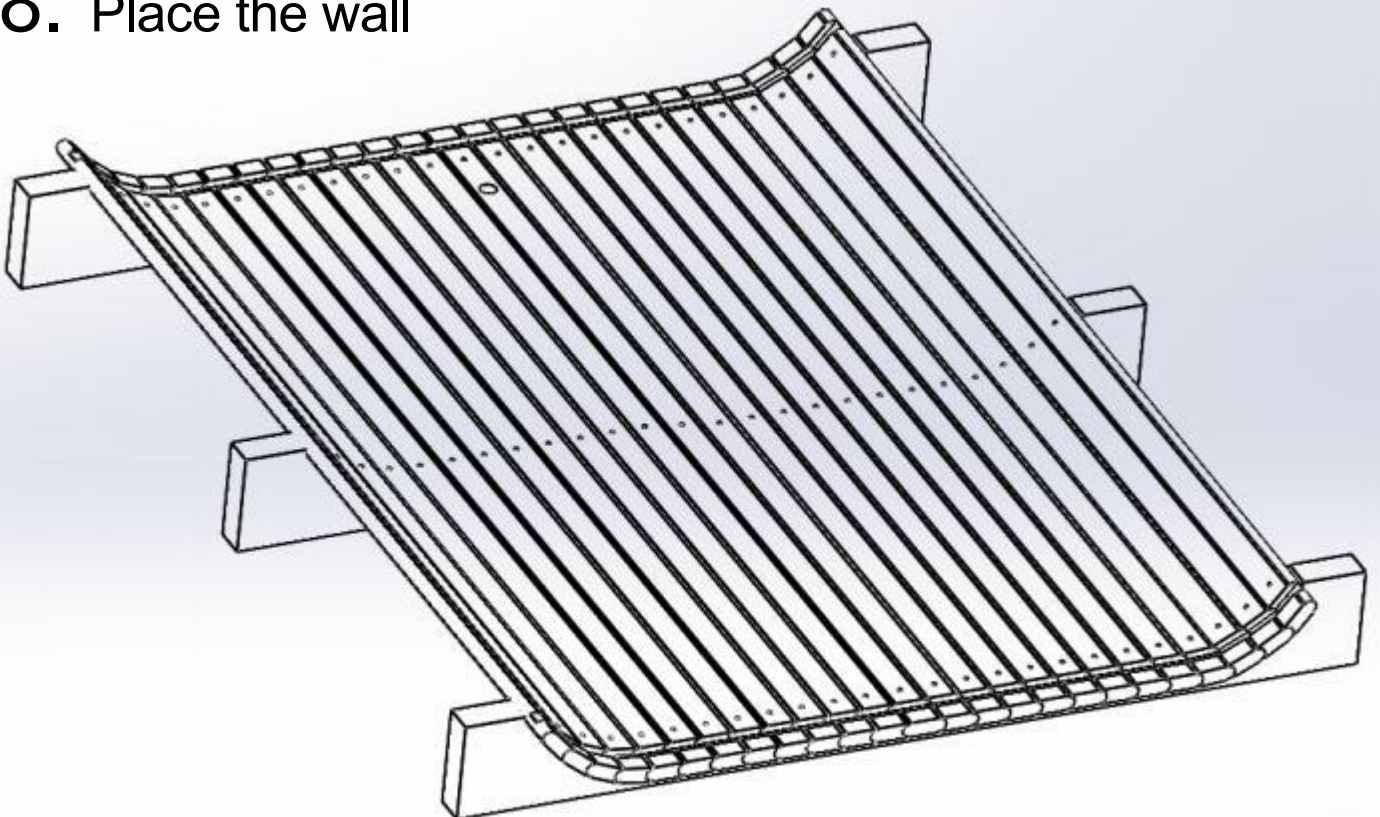


Cross section view

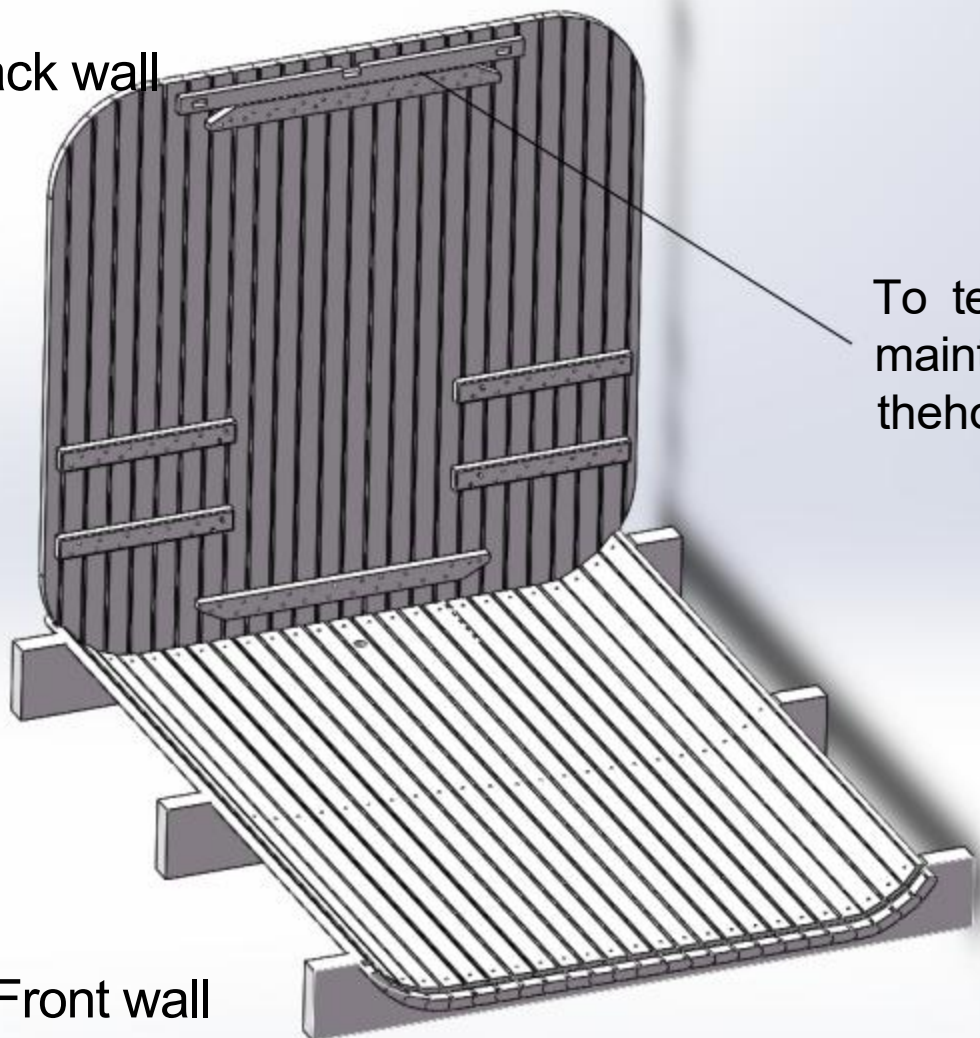
## 7. Lock the stave



## 8. Place the wall

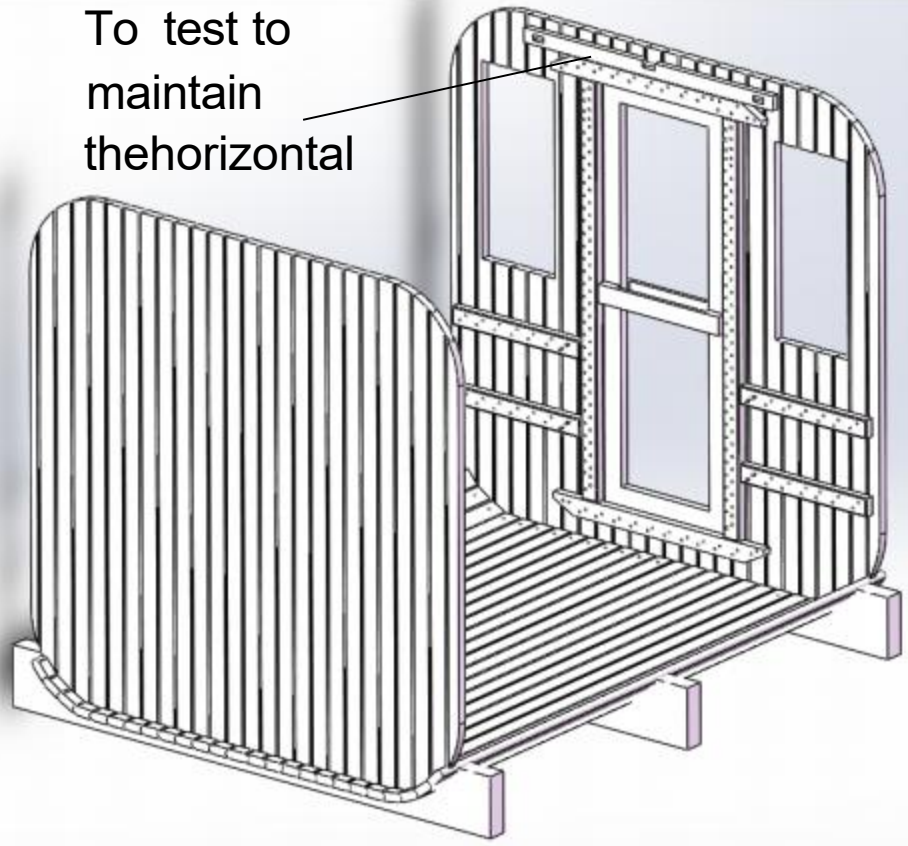


# 9. Back wall



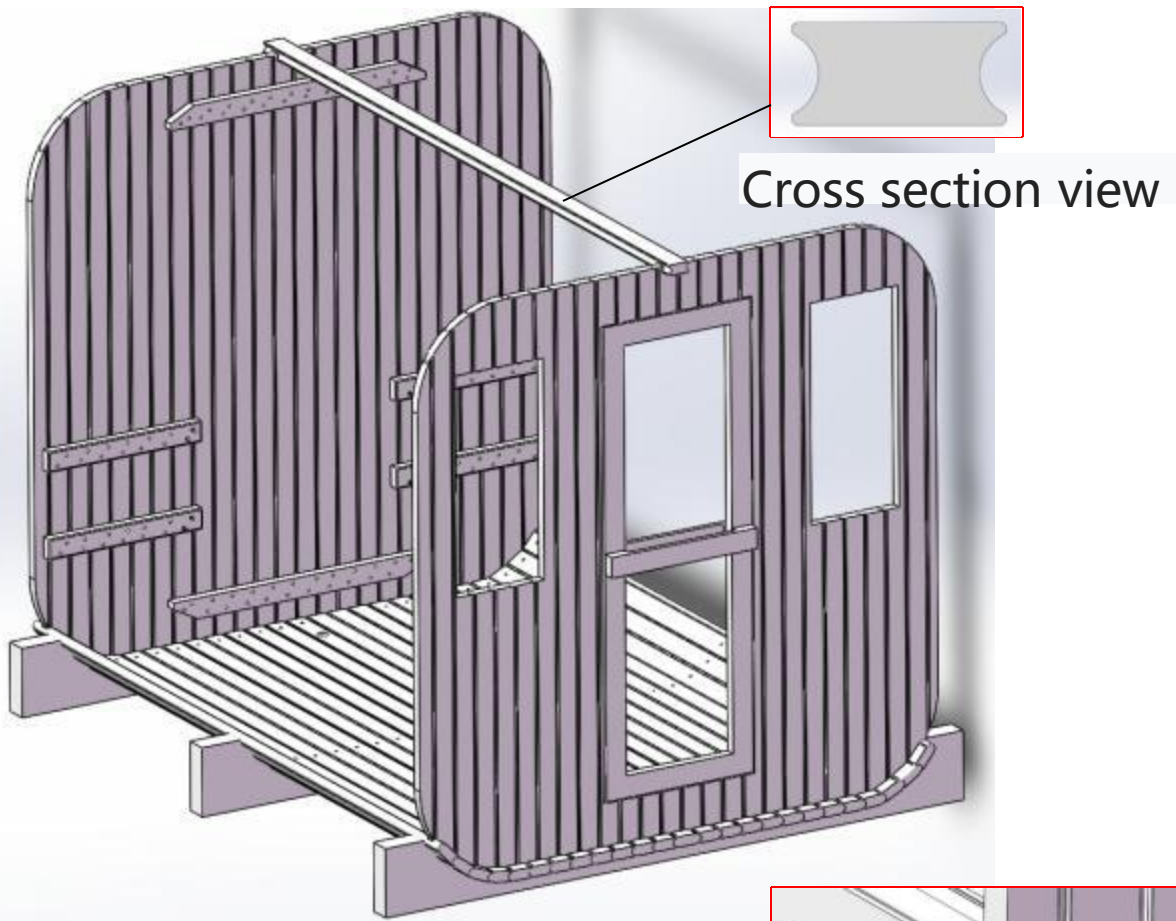
To test to maintain the horizontal

# 10. Front wall

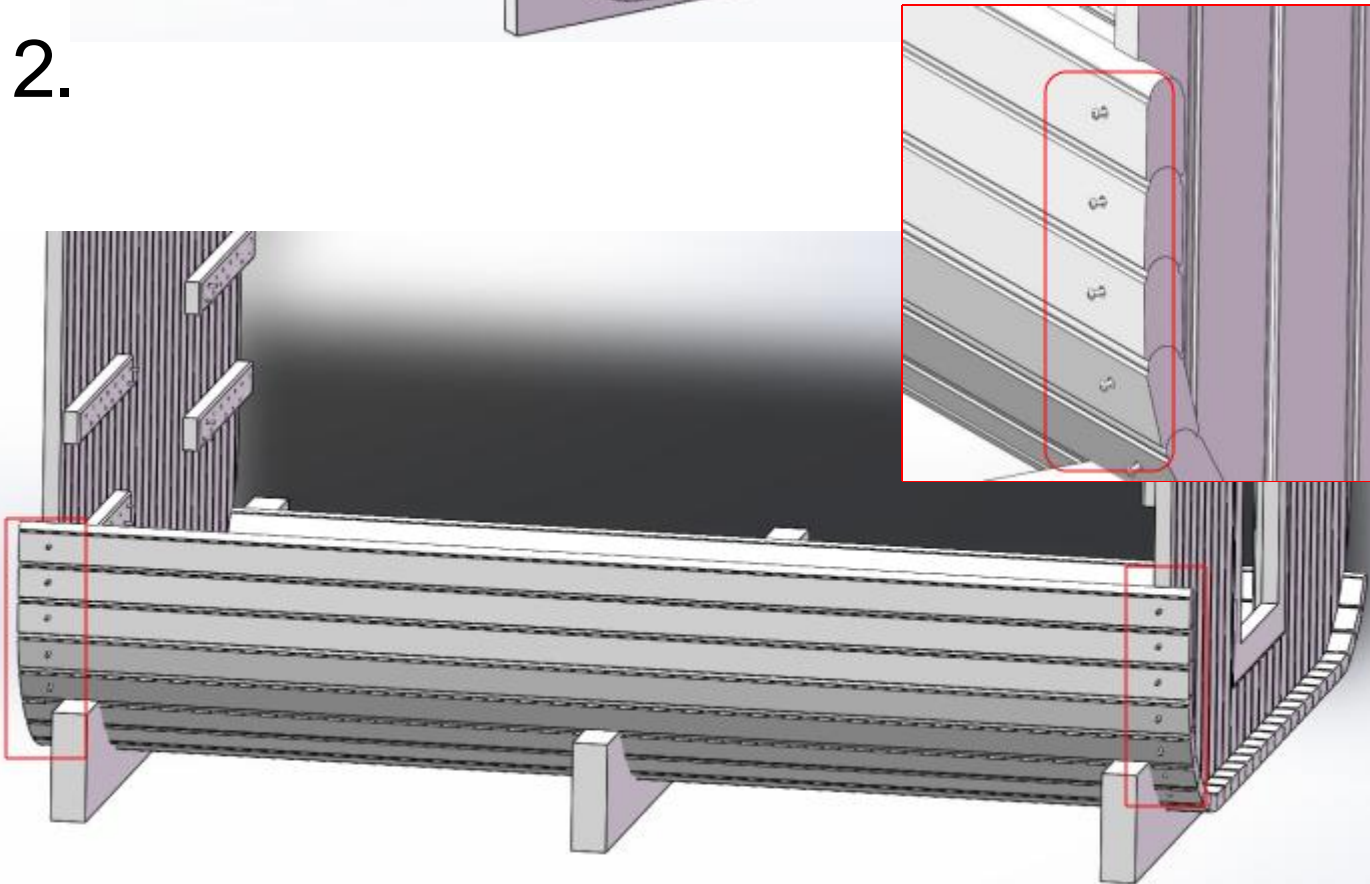


To test to maintain the horizontal

11.

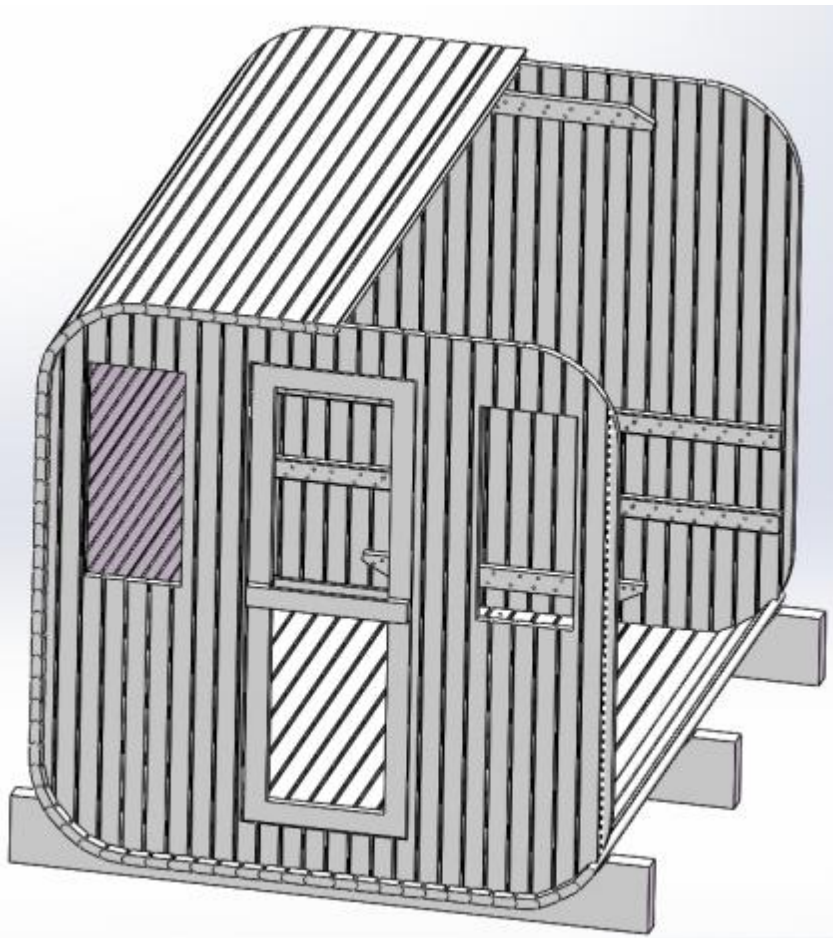


12.

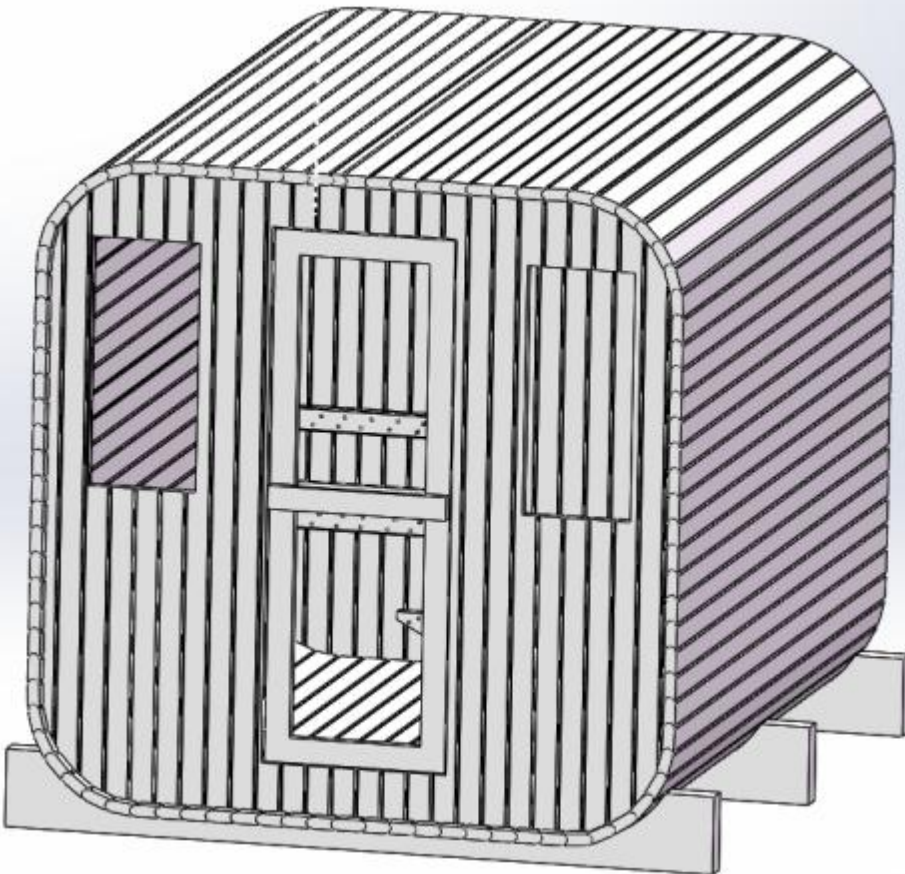




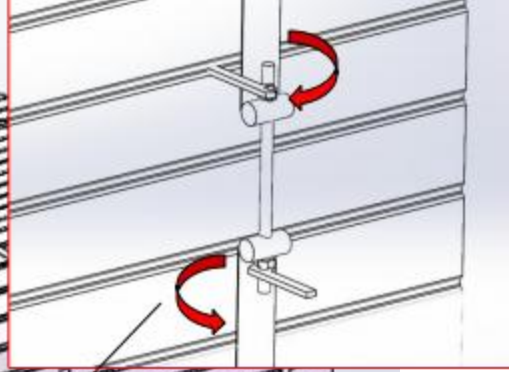
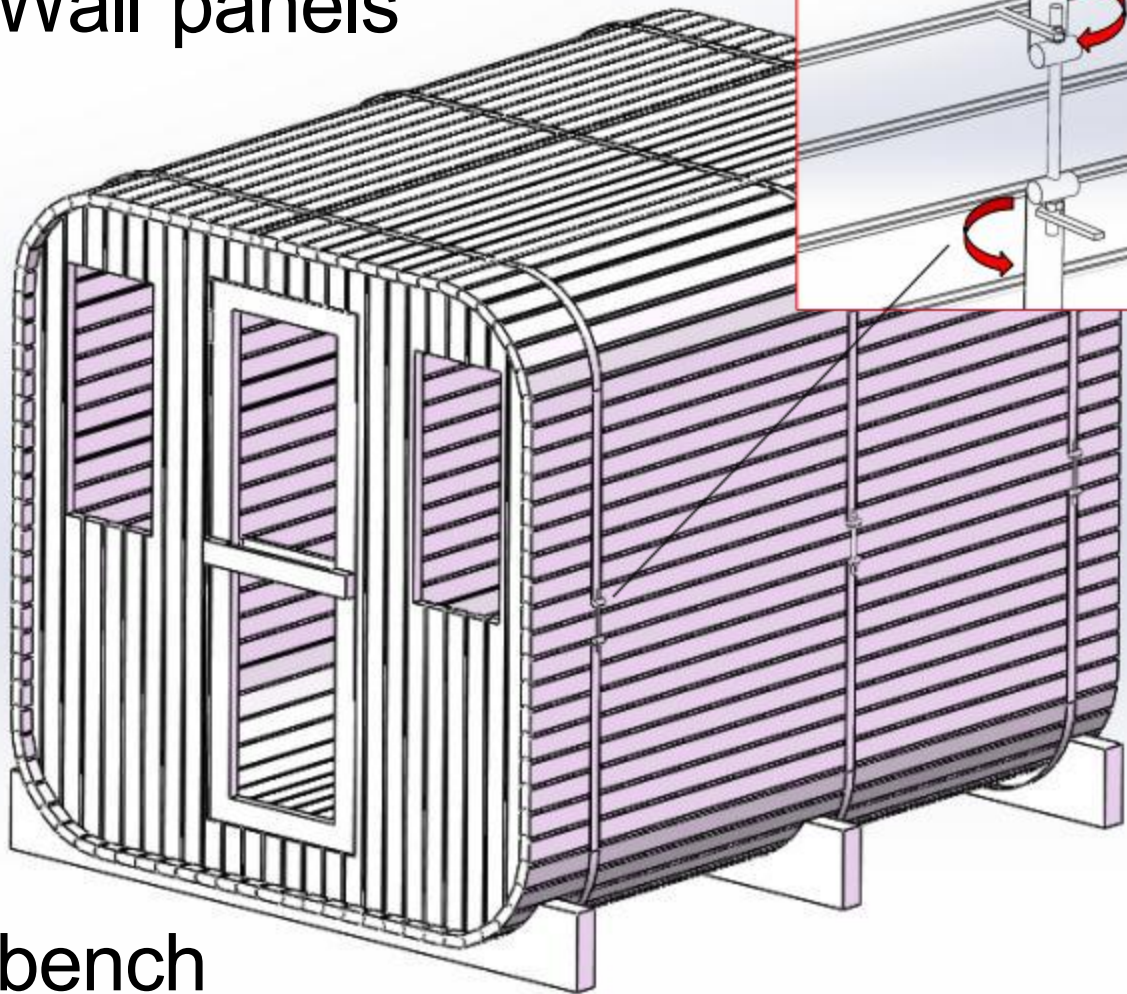
13.



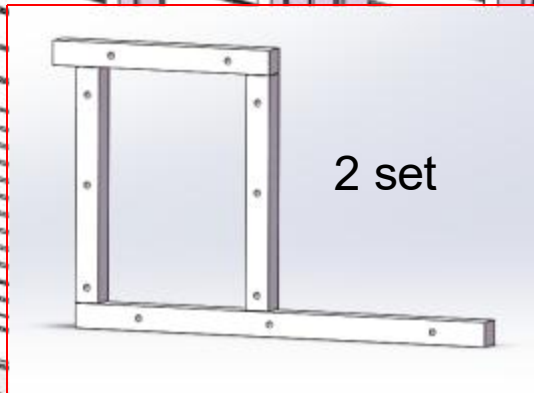
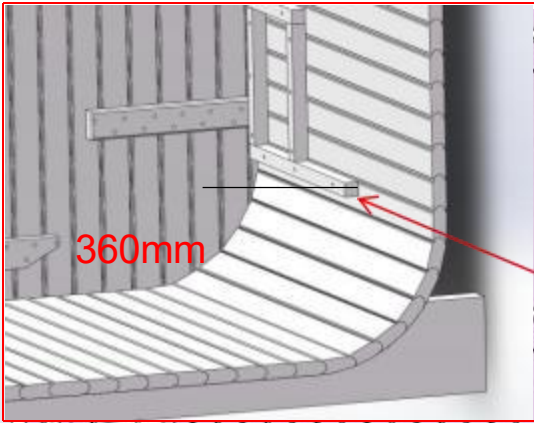
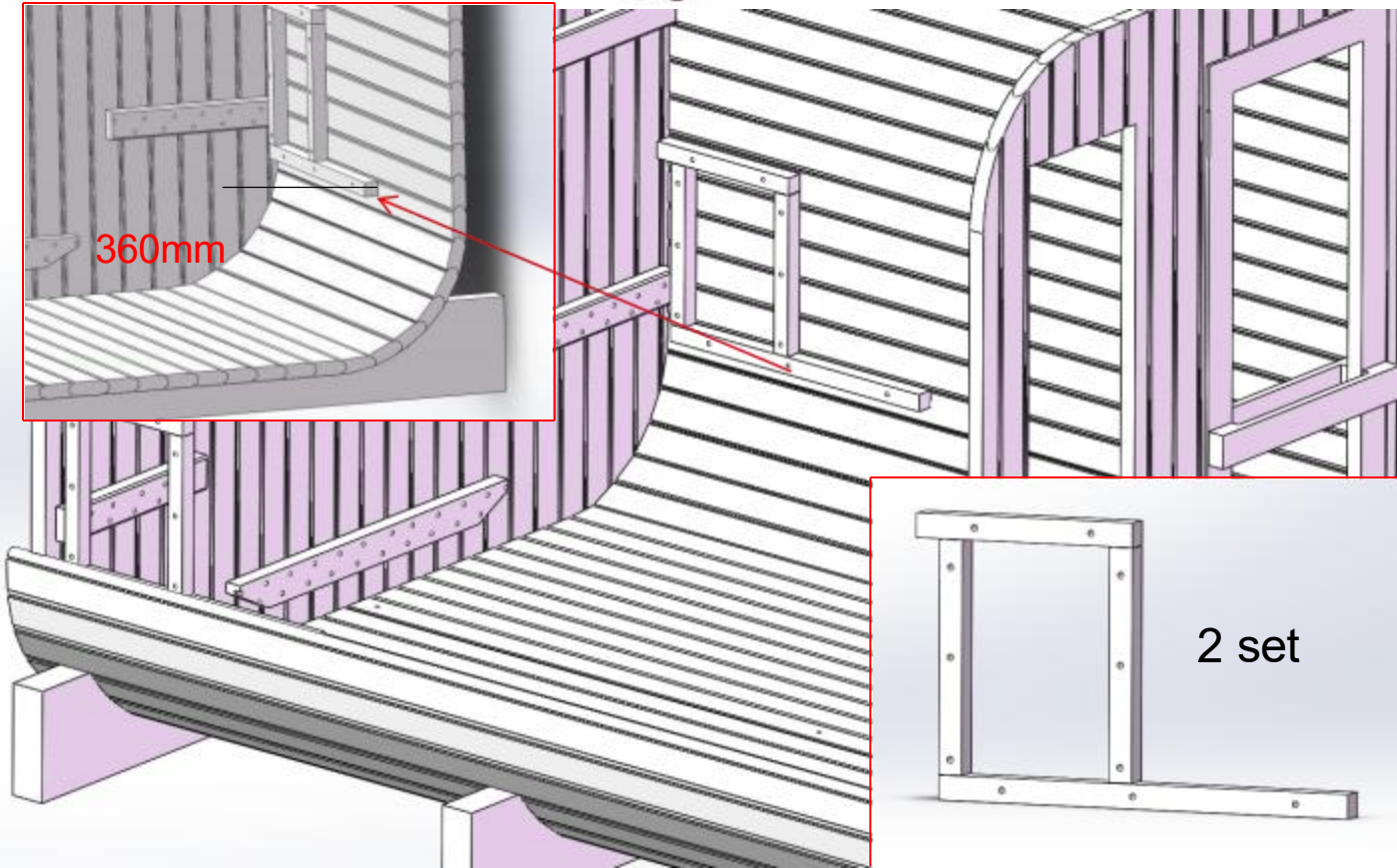
14.



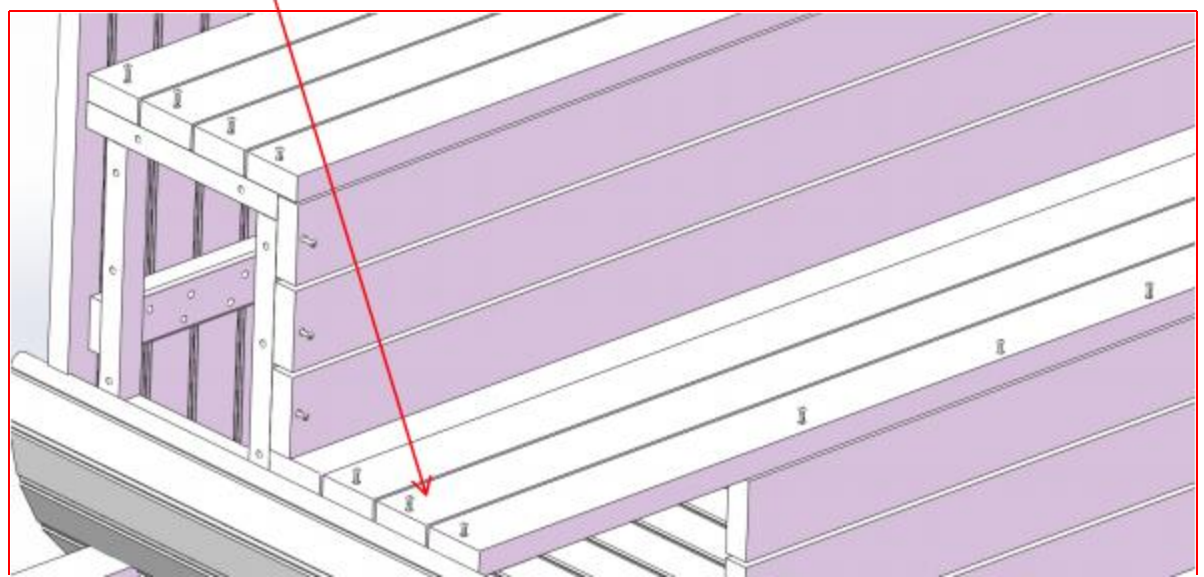
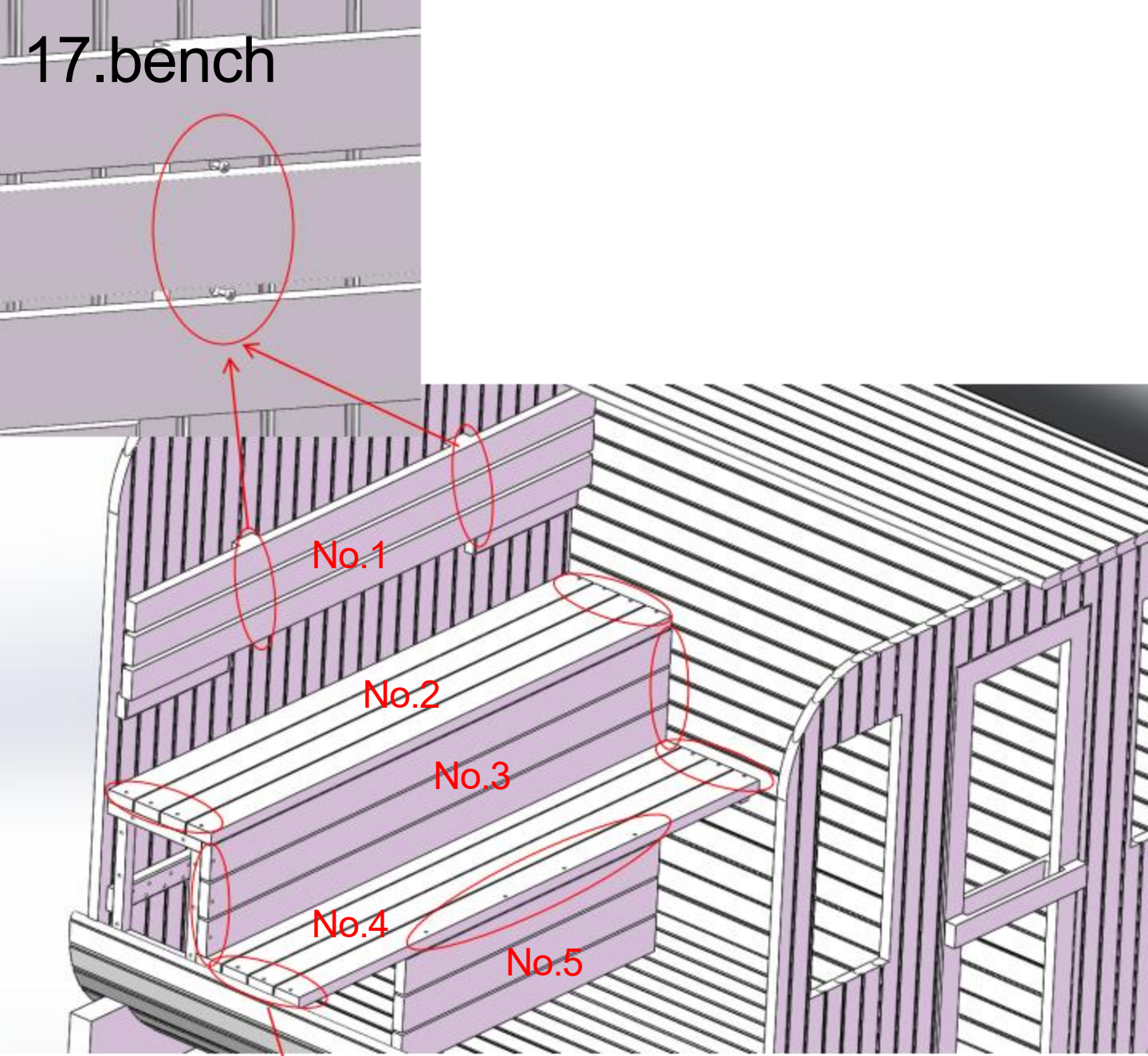
# 15.Wall panels



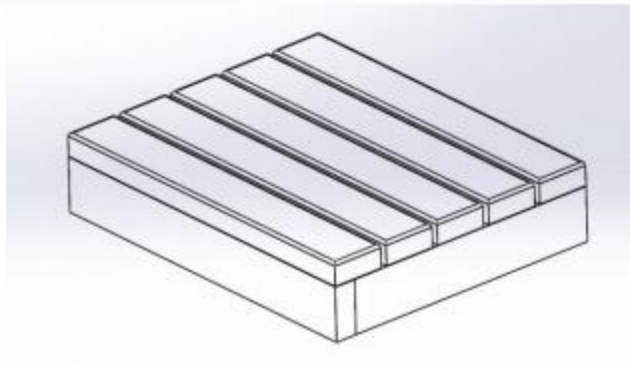
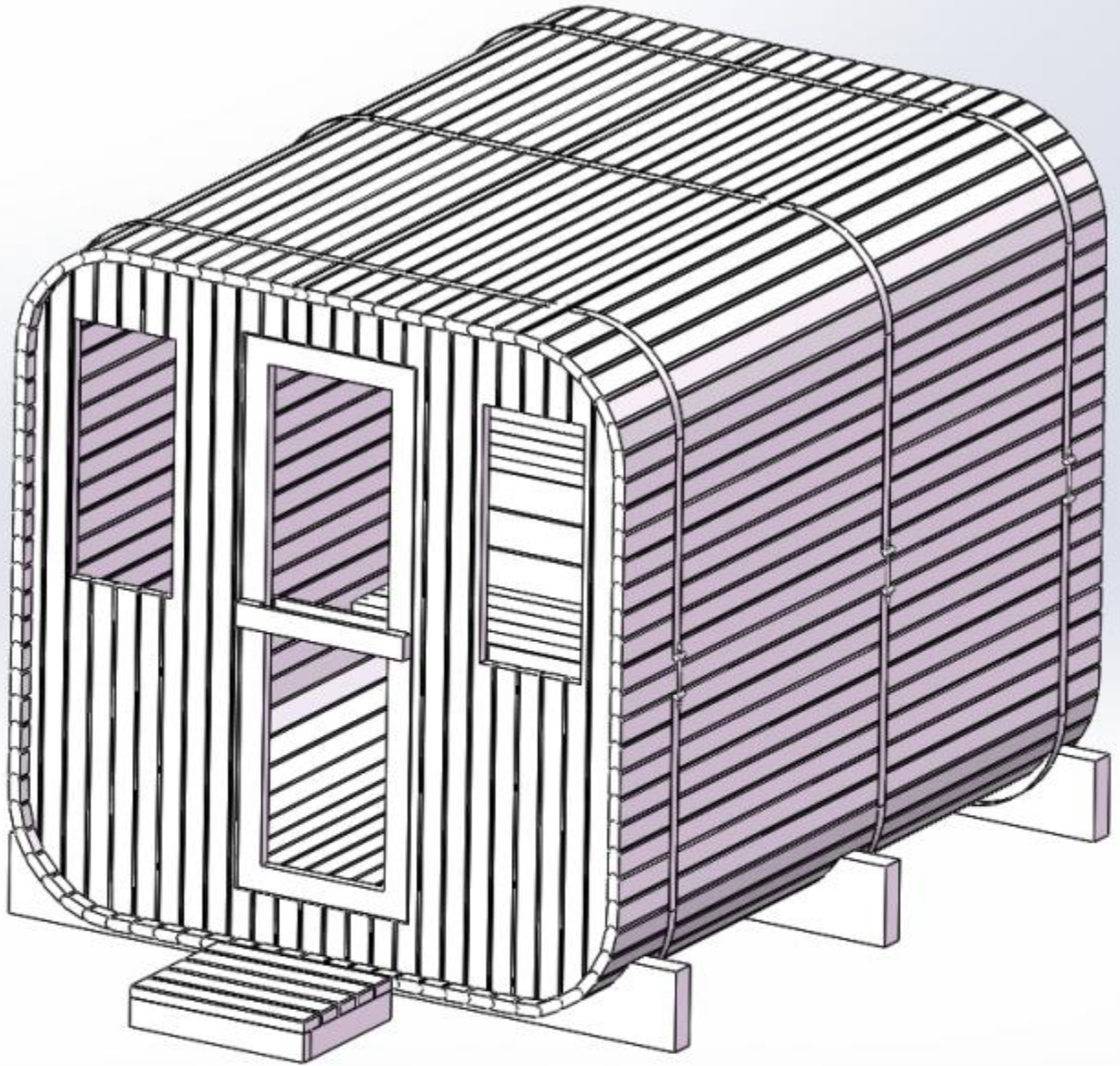
# 16.bench



# 17.bench



# 18. floor mat



1 set