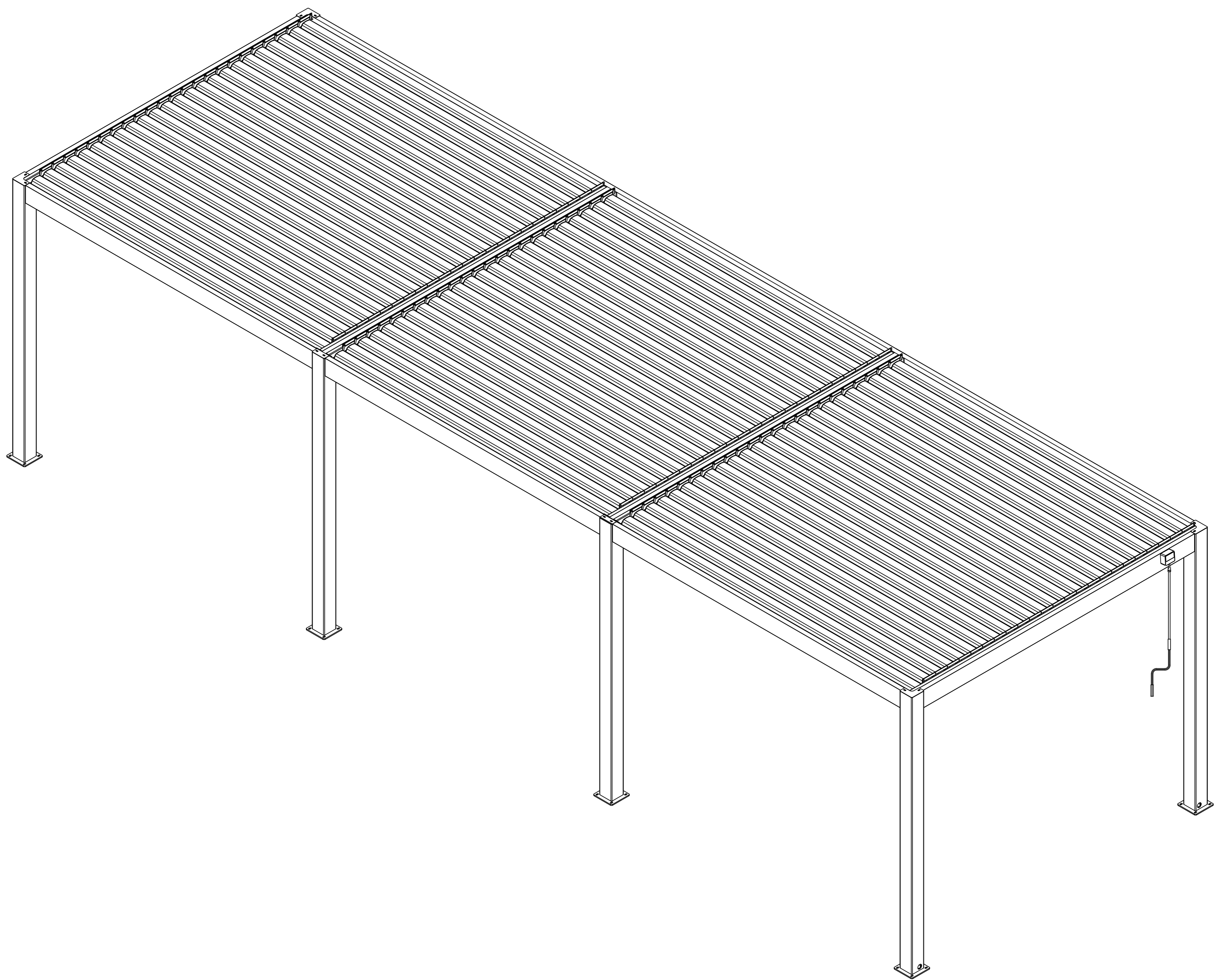




KING ALUMINIUM PERGOLA GAZEBO FREE STANDING 8 POSTS

4x8m



4×8m

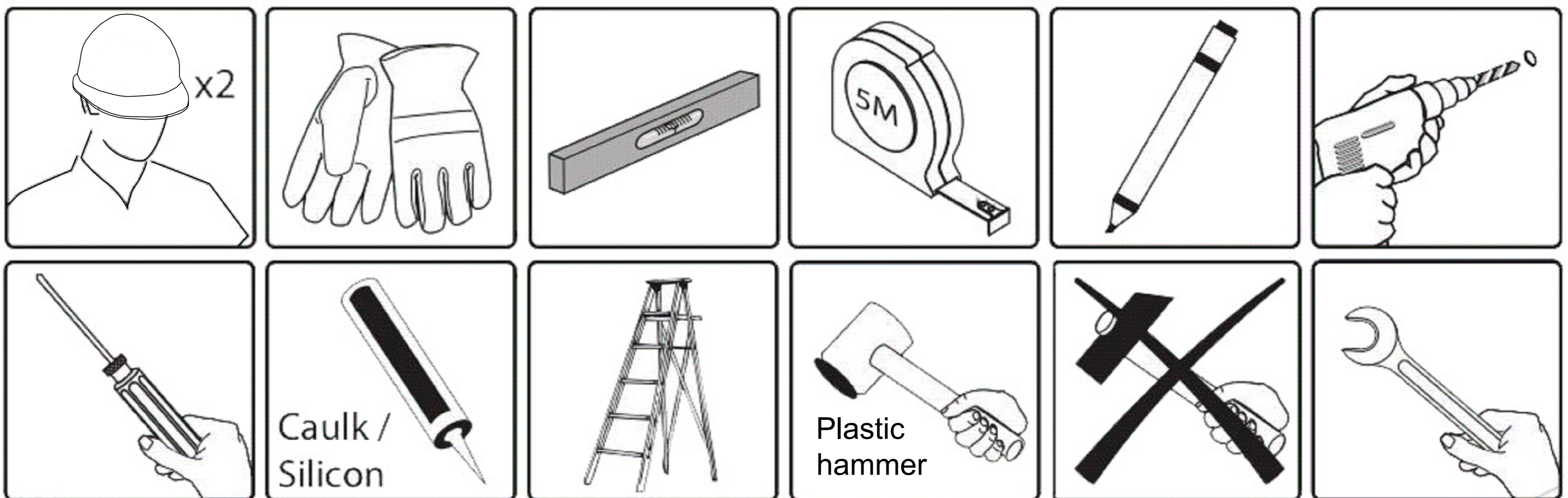
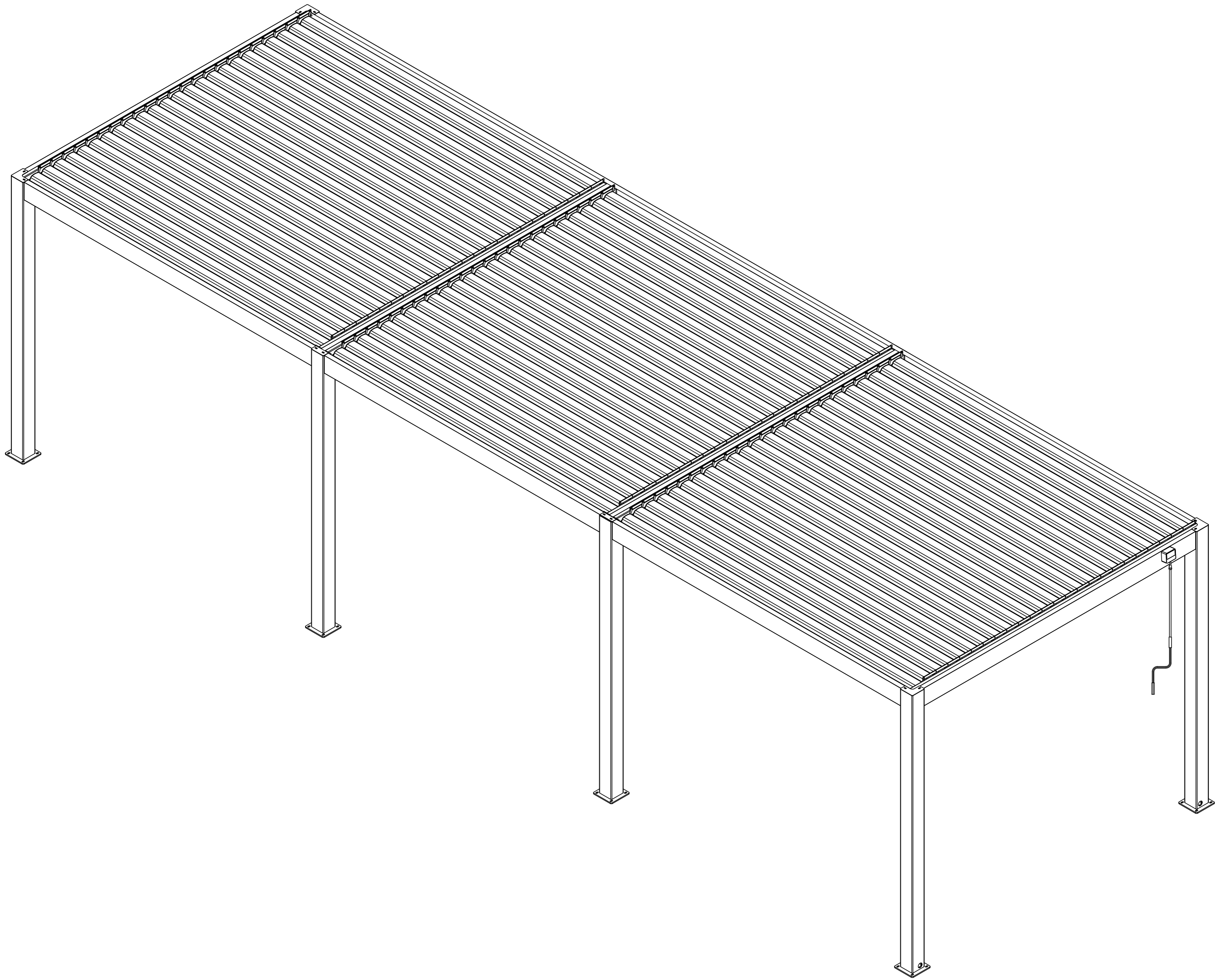
Installation and Wind Management Guidelines

1. Installation on Various Surfaces

For WPC (Wood Plastic Composite), antiseptic wood, ceramic, or stone flooring, it is essential to either concrete the post directly or construct a 50cm concrete foundation beneath the base plate to secure it firmly.

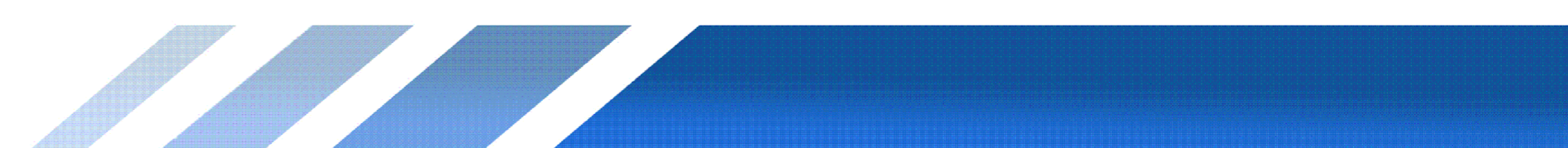
2. Wind Management

In the event of strong winds, the louvers must be opened to maintain proper air circulation and minimise wind resistance.”

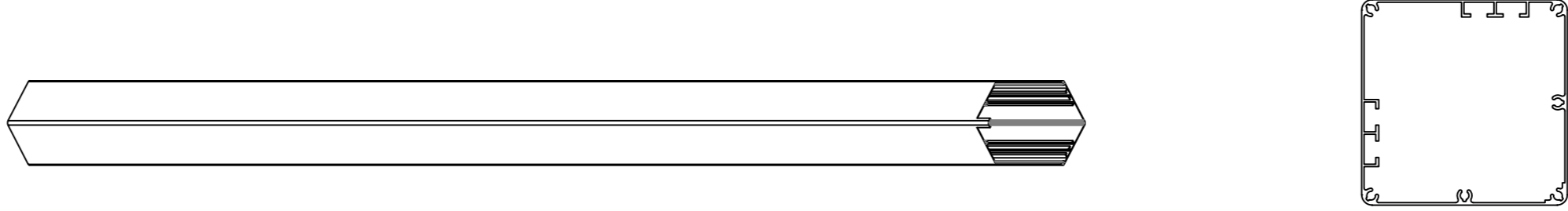
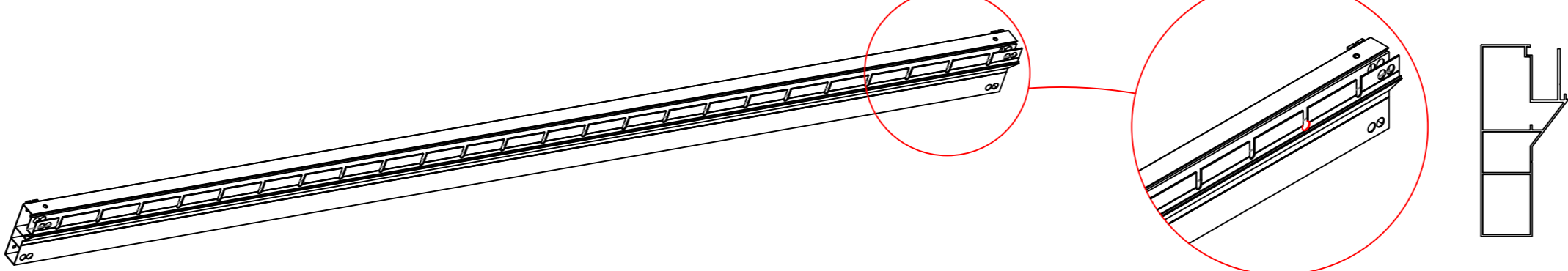
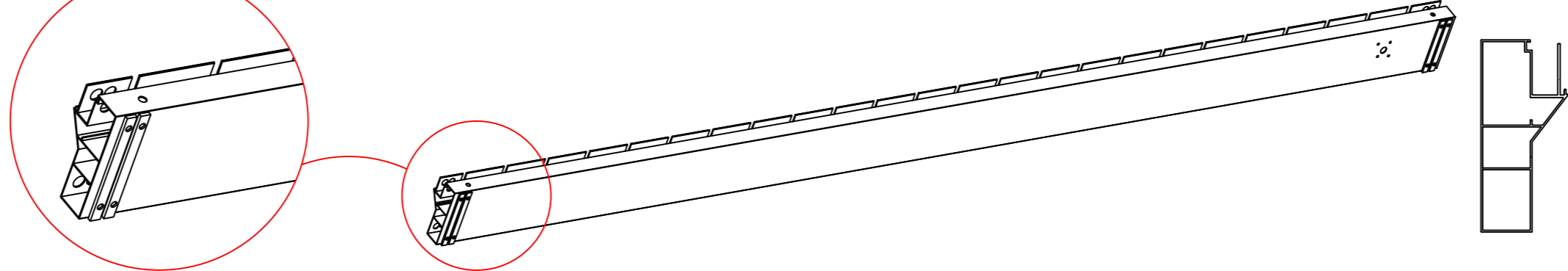
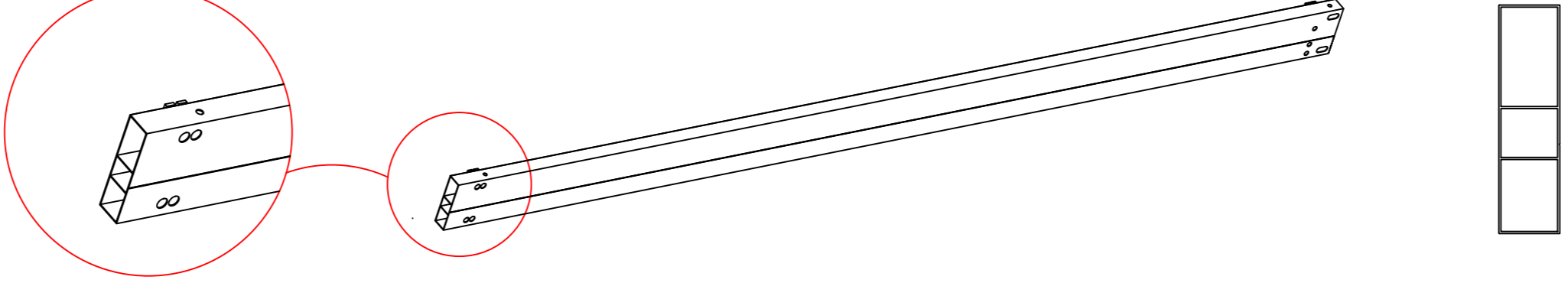
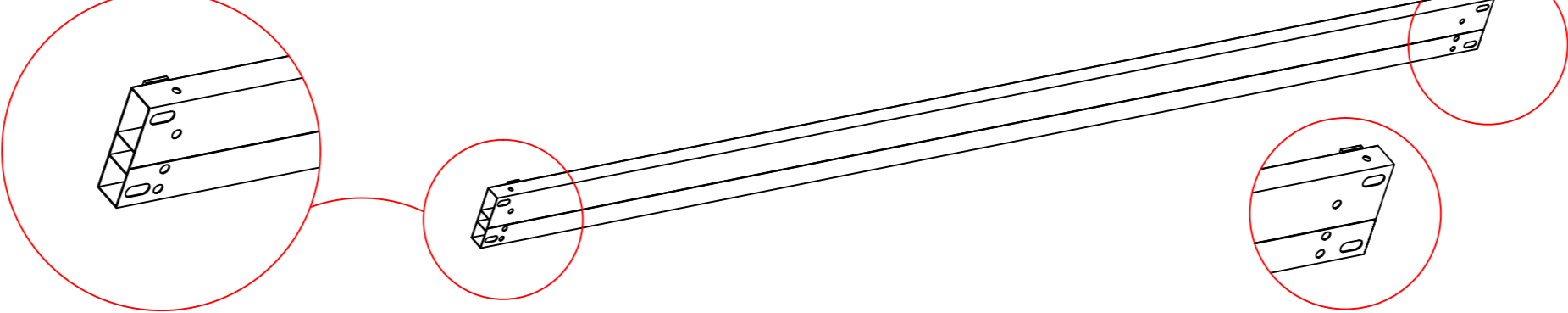
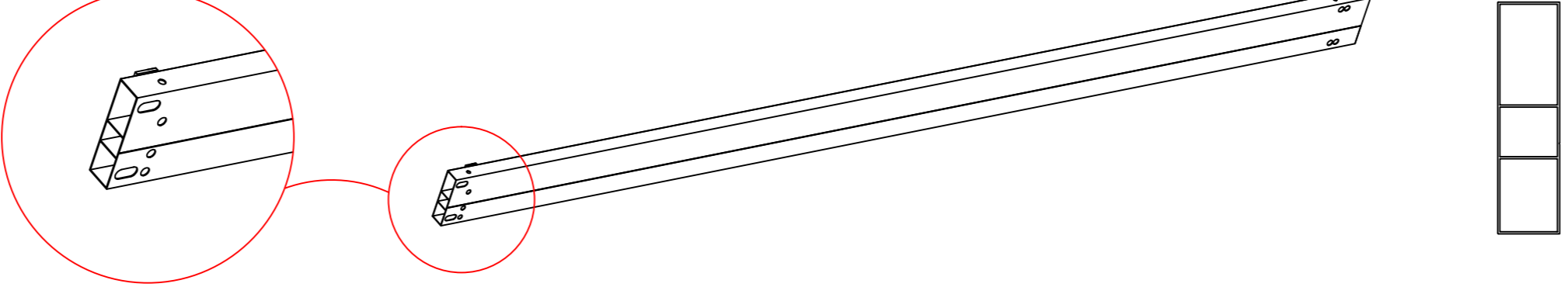
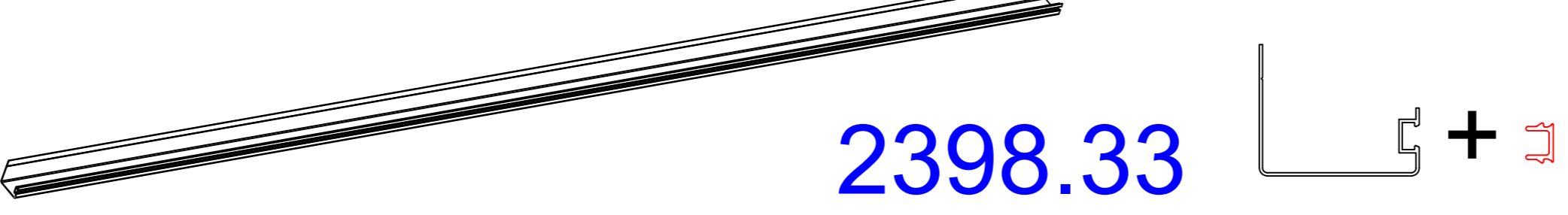

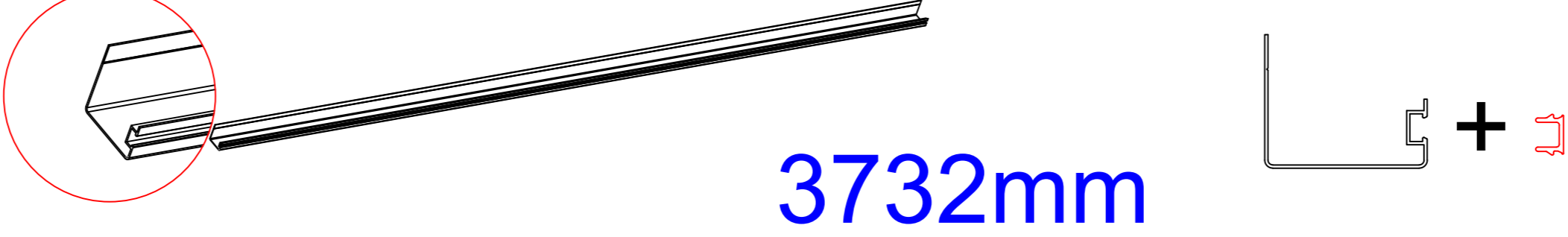
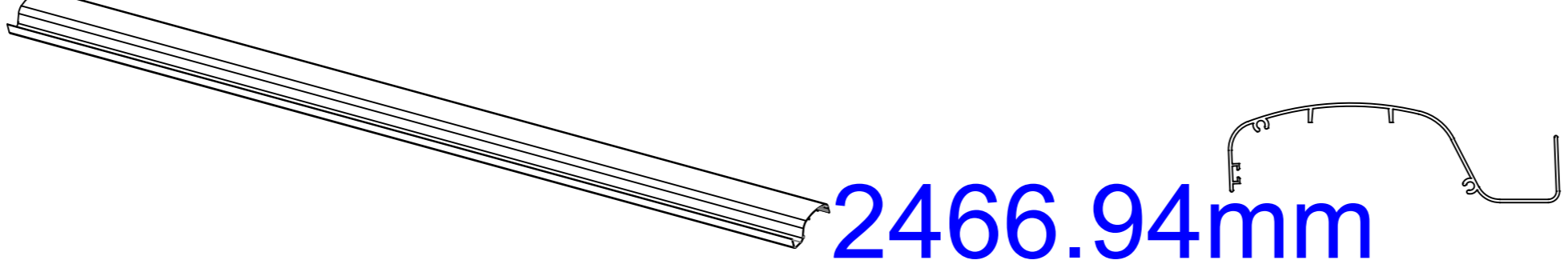
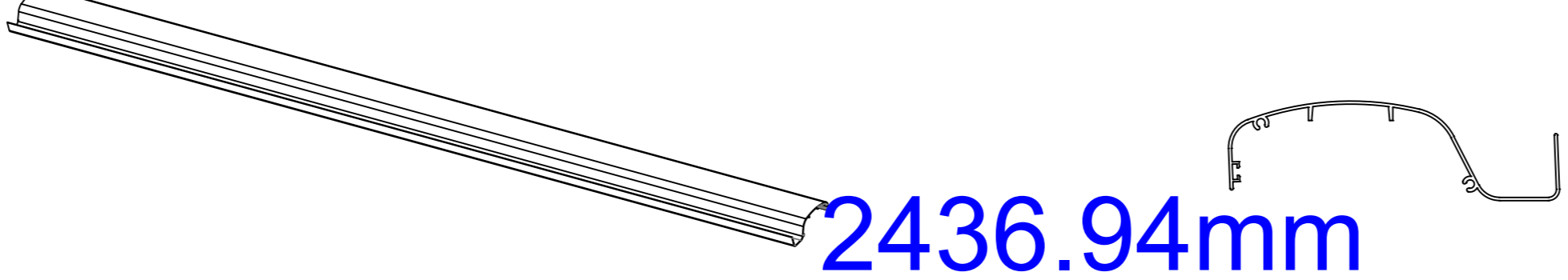
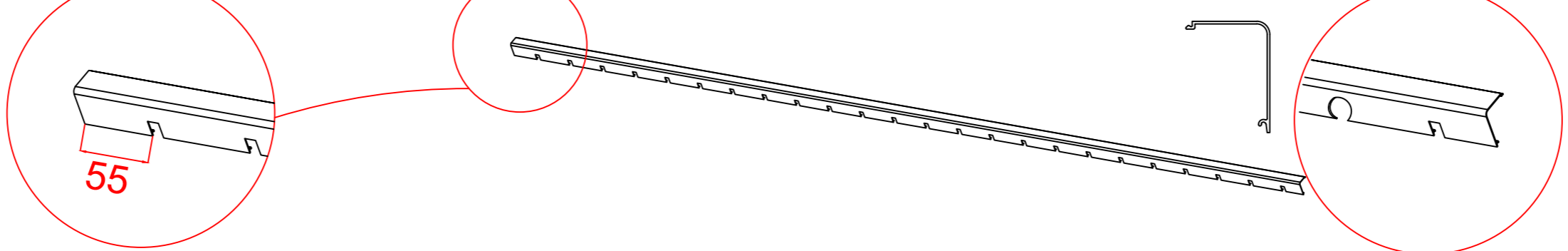


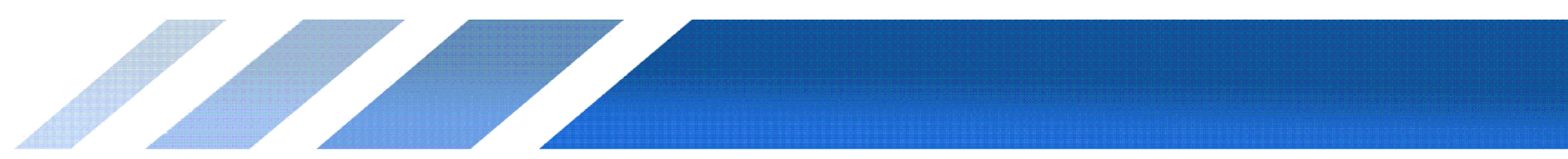


	Item	Qty	Item	Qty	Item	Qty	Item	Qty
Carton 1/9	1B-01	4	1B-11	4	1B-12	4	1B-13	4
	1B-13B	4	1B-14	2	1B-14B	1	1B-15	3
	1B-18	1	1B-19	16+	1B-20	198+	1B-21	32+
	1B-22	36+	1B-23	34+	1B-24	1	1B-25	24+
	1B-26	4	1B-48	98+	1B-48B	1	1B-49	97+
	1B-50	1	1B-50B	1	1B-51	396+	1B-67	42+
	1B-16	2	1B-17	1				
Carton 2/9	1B-27	4						
Carton 3/9	1B-28A	1	1B-28B	1				
Carton 4/9	1B-02	1	1B-03	1	1B-04A	2	1B-05C	2
	1B-09	6	1B-05A	2	1B-29/B	6	1B-08A /B/C/D/E	6
Carton 5/9	1B-04B	2	1B-04C	2	1B-05B	4	1B-06	3
Carton 6/9	1B-06	24						
Carton 7/9	1B-06	24						
Carton 8/9	1B-06	14	1B-07	9				
Carton 9/9	1B-07	24						

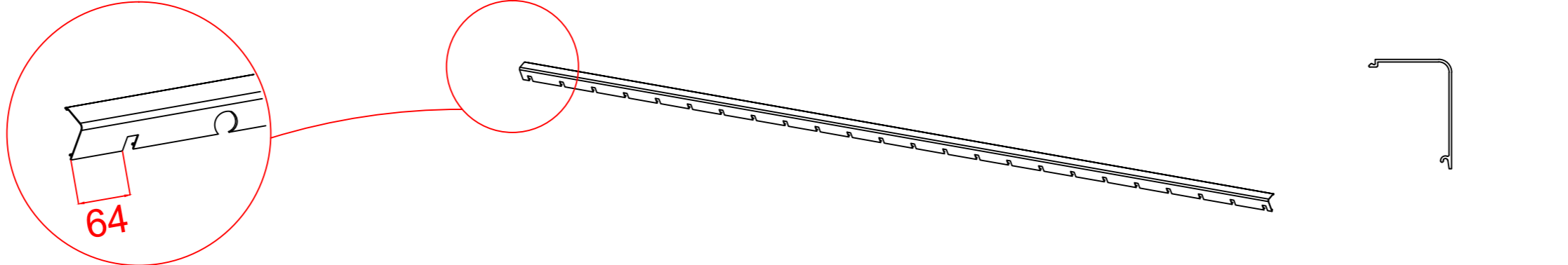
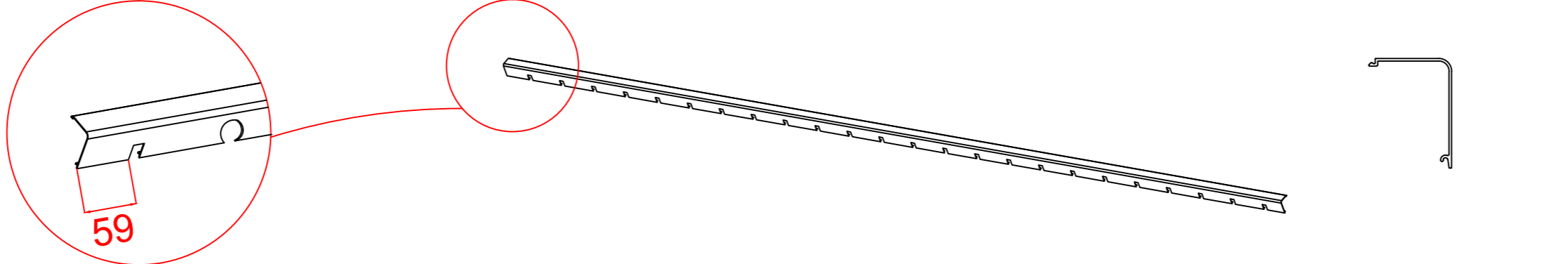
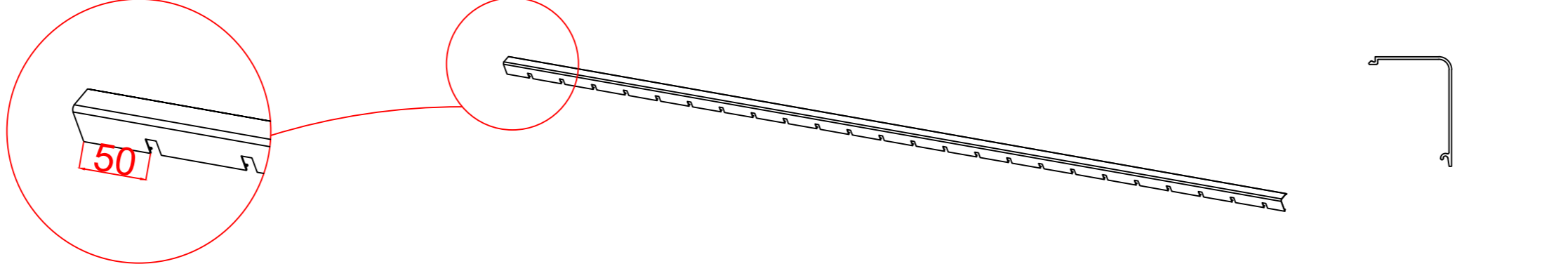
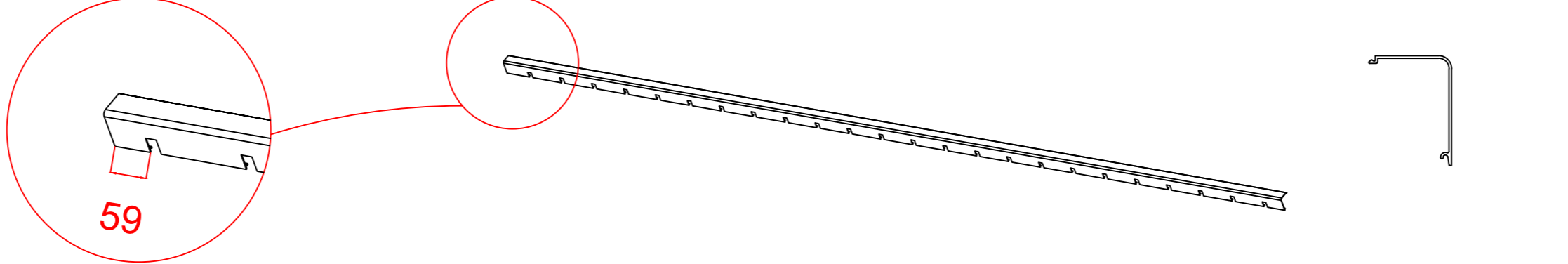
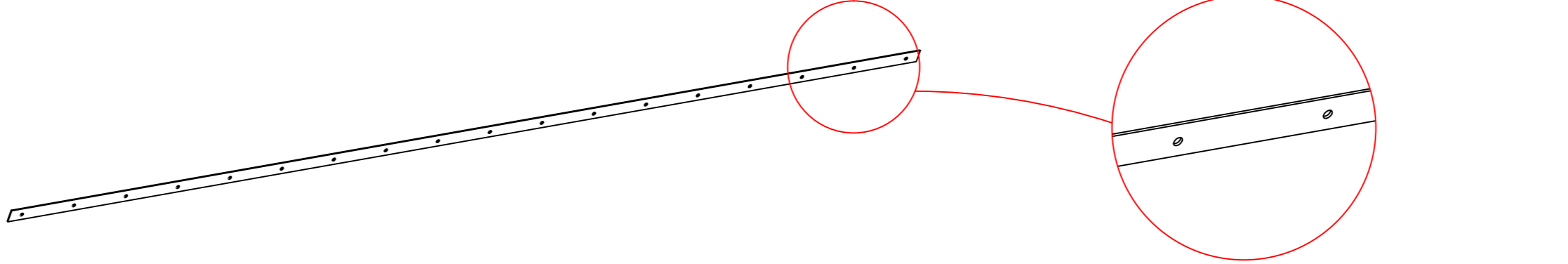
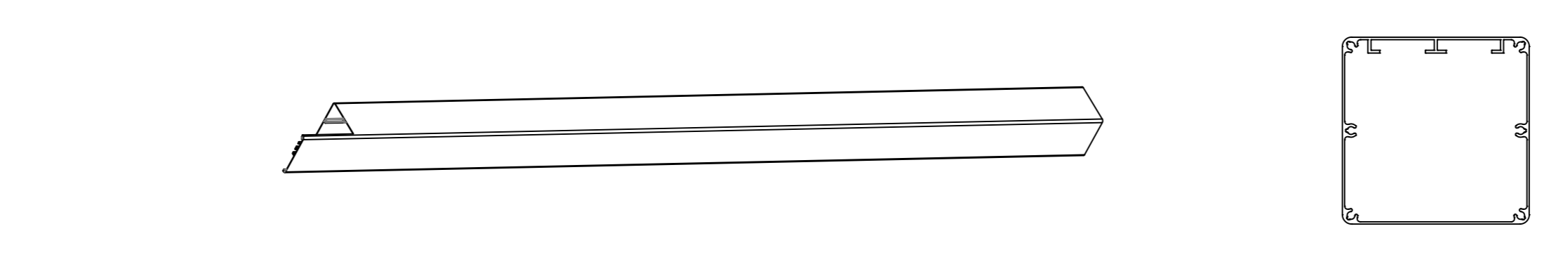
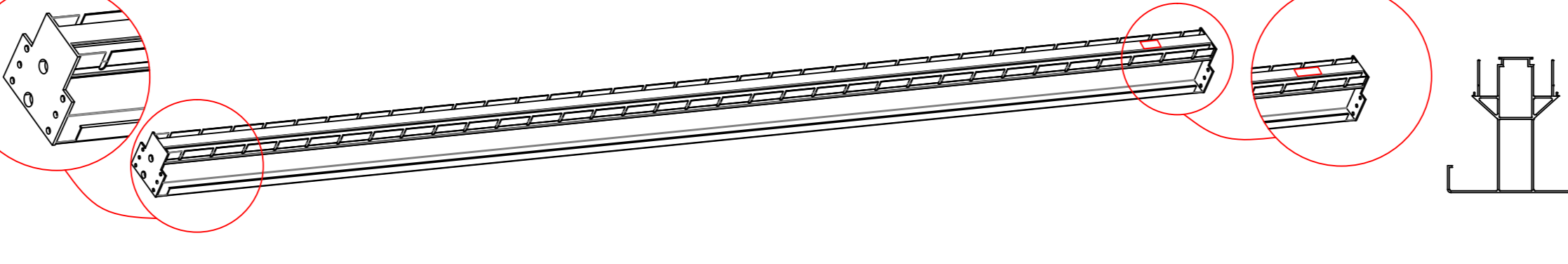
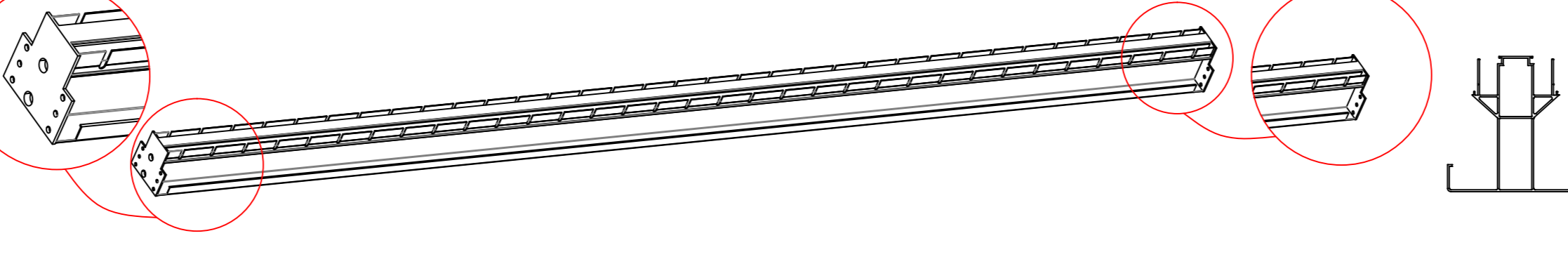
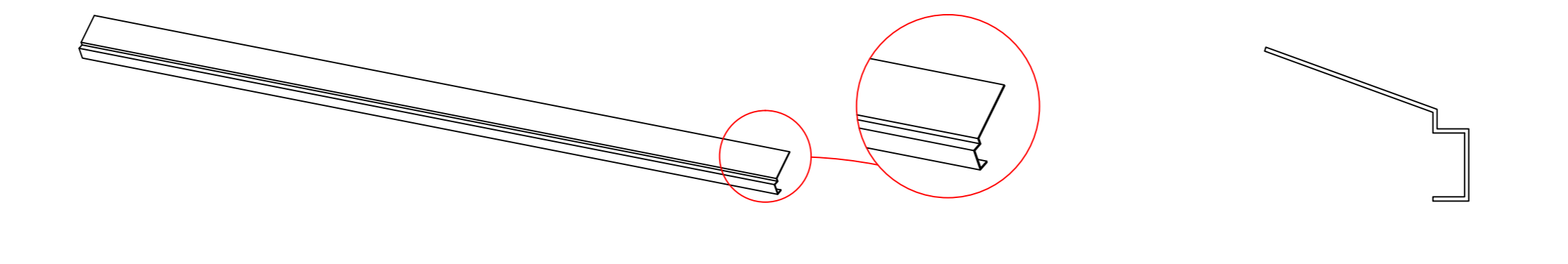
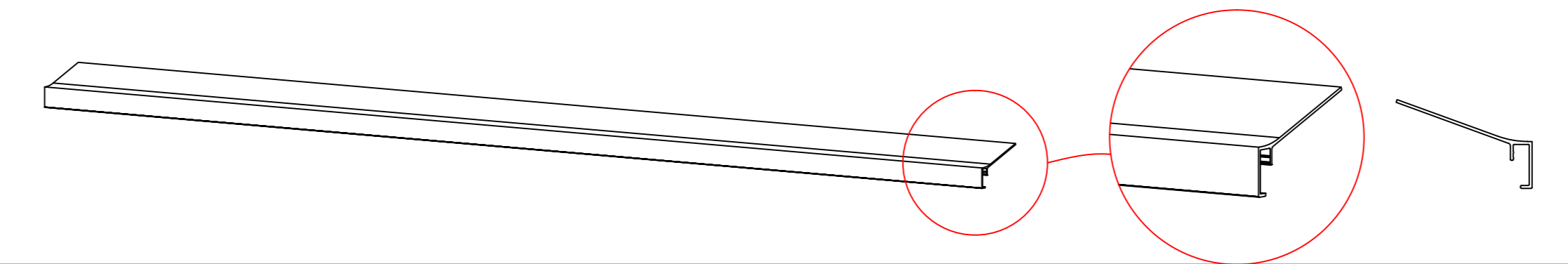


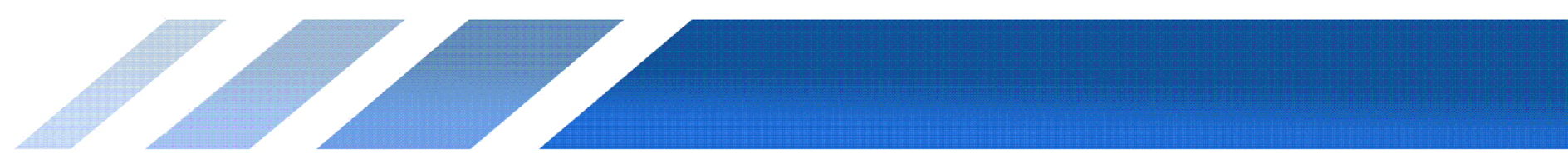


Item	Drawings	Qty
1B-01		4
1B-02		1
1B-03		1
1B-04A		2
1B-04B		2
1B-04C		2
1B-05A		2
1B-05B		4
1B-05C		2
1B-06		66
1B-07		33
1B-08A		1

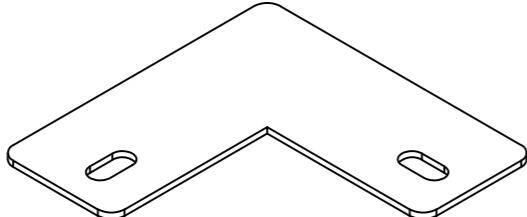
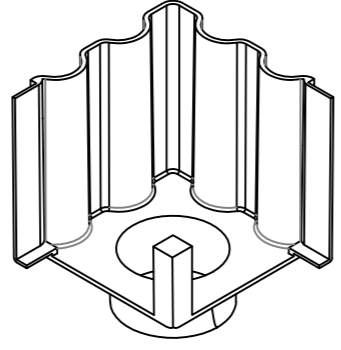
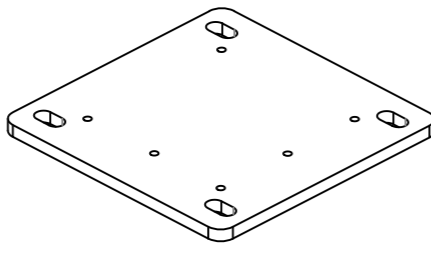
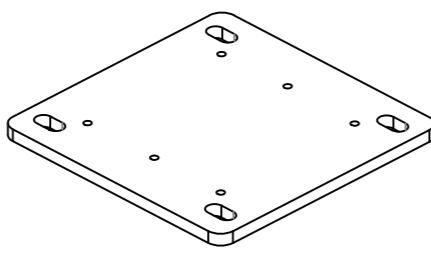
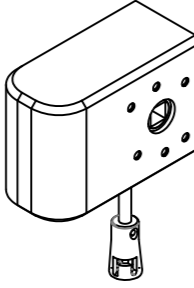


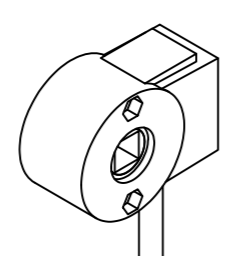
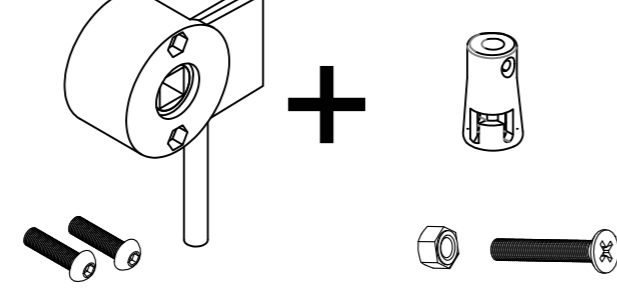
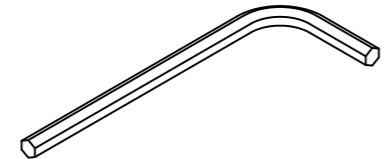
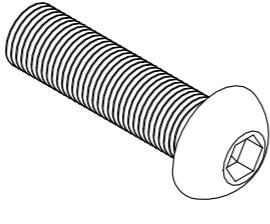
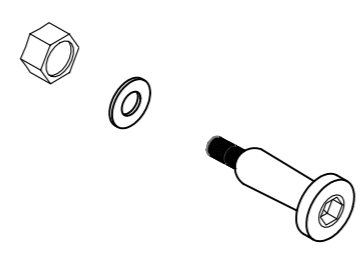
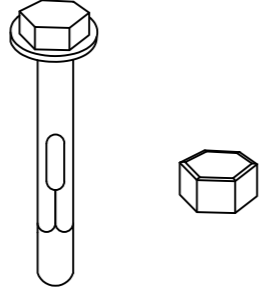
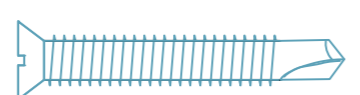
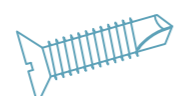


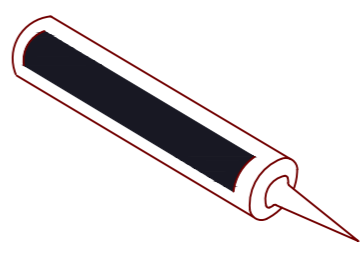
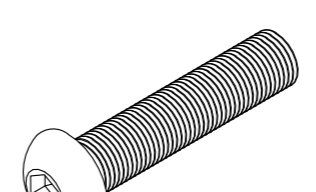
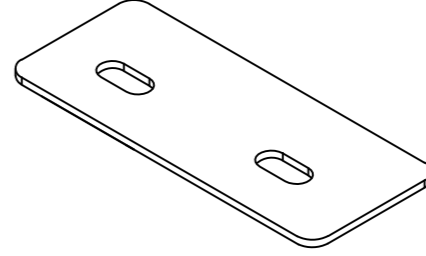
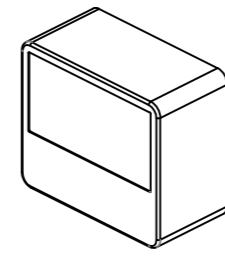
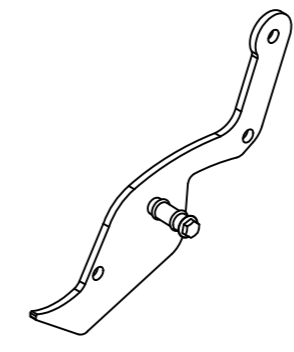
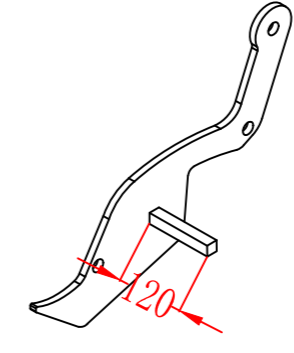
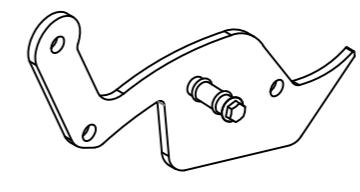
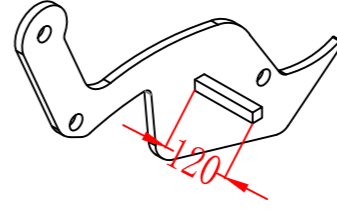
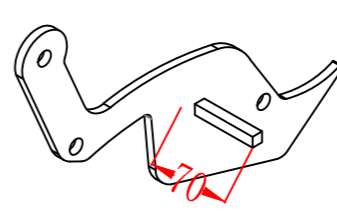
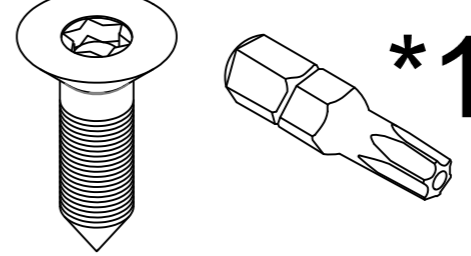
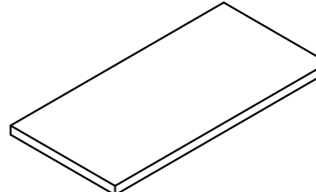



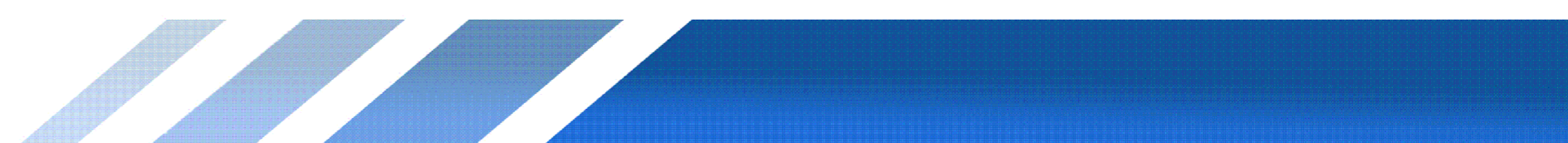
Item	Drawings	Qty
1B-08B		1
1B-08C		1
1B-08D		2
1B-08E		1
1B-09		6
1B-27		4
1B-28A		1
1B-28B		1
1B-29		2
1B-29B		4

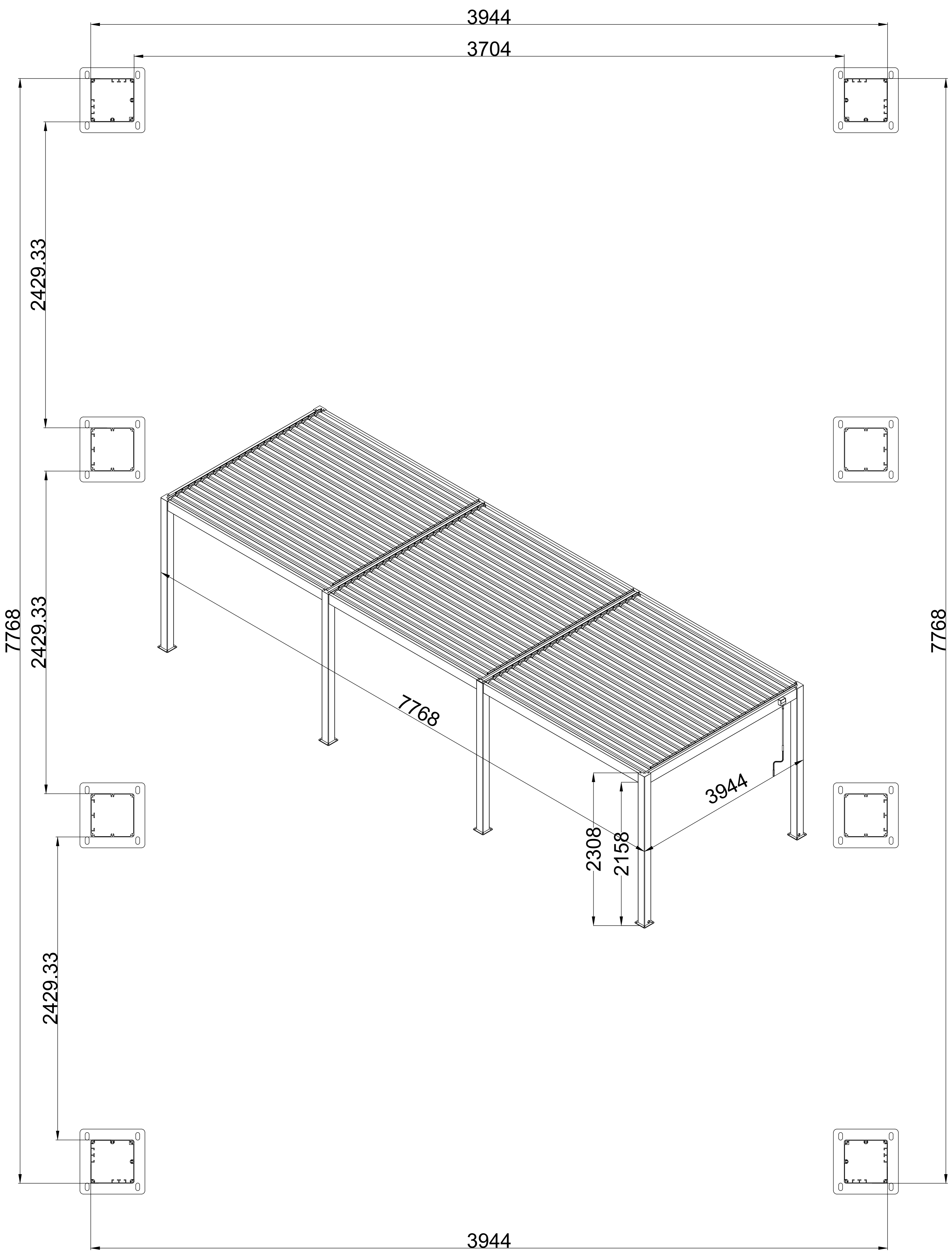




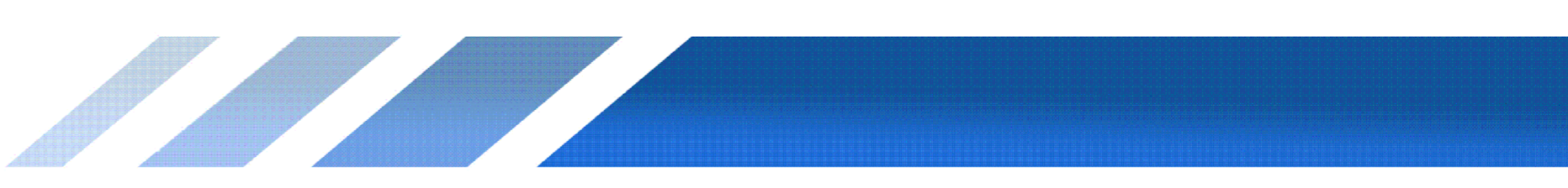
Item	Drawings	Qty
1B-11	 120*120*2.5mm	4
1B-12		4
1B-13		4
1B-13B	 180*180*8mm	4
1B-14	 + 	2
1B-15		3
1B-14B	 + 	1
1B-18		1
1B-19	 M8*20	16+
1B-20		198+
1B-21	 M10*80	32+
1B-22	 M5.5*50	36+
1B-23	 M4.2*19	34+

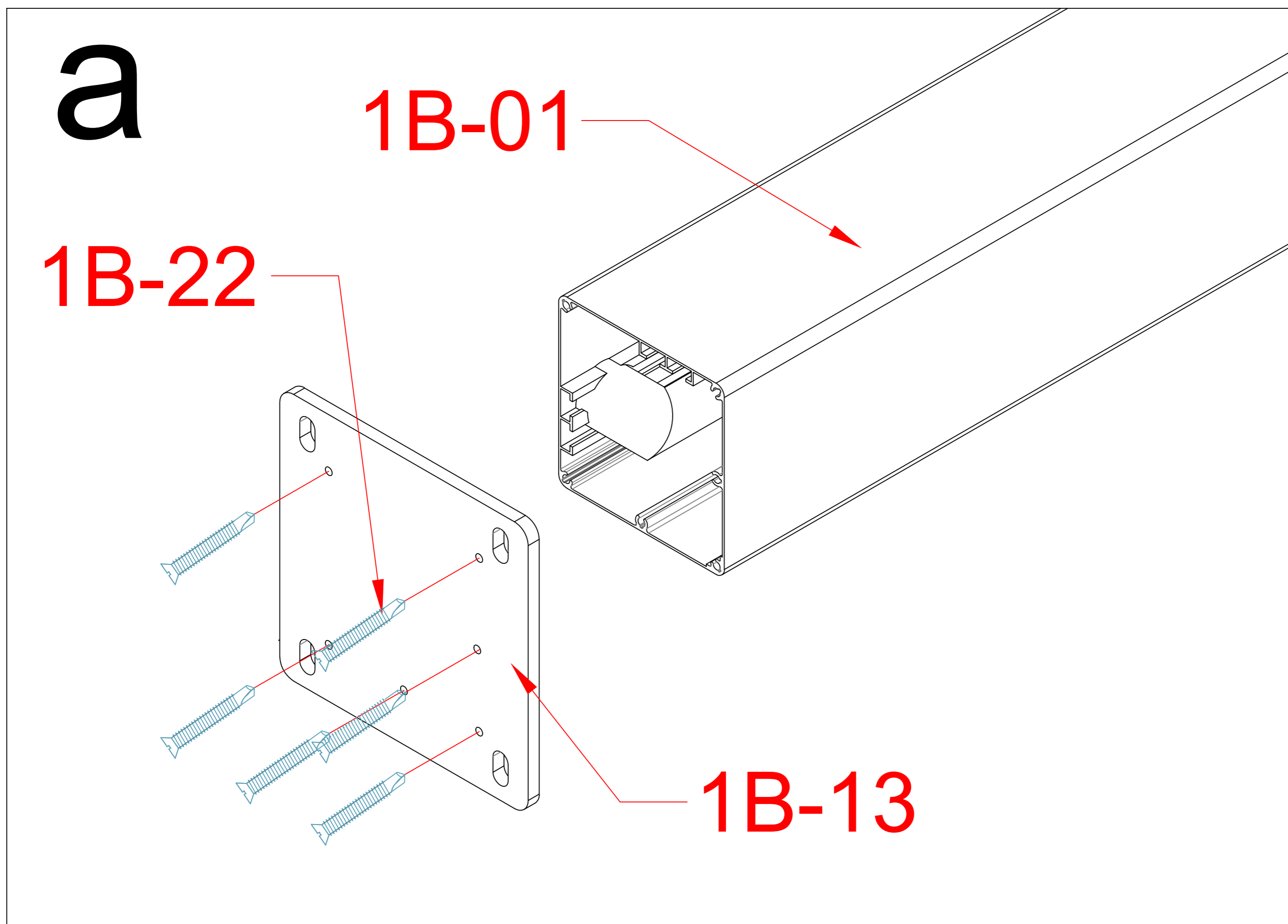
Item	Drawings	Qty
1B-24		1
1B-25	 M8*25	24+
1B-26		4
1B-16		2
1B-48		98+
1B-48B		1
1B-49		97+
1B-50		1
1B-50B		1
1B-51	 M3.5*25 *1	396+
1B-17		1
1B-67	 M4.2*50	42+



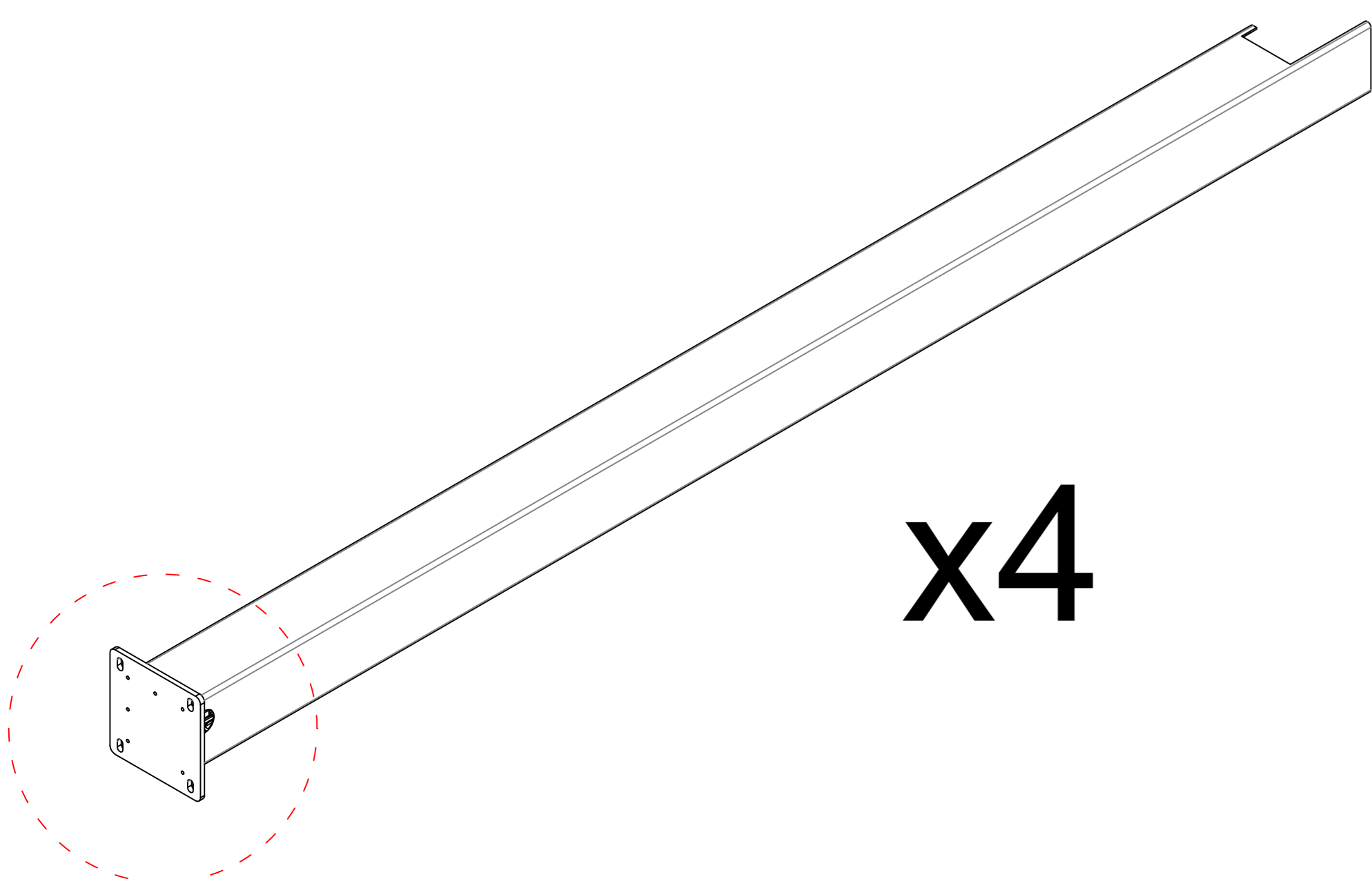
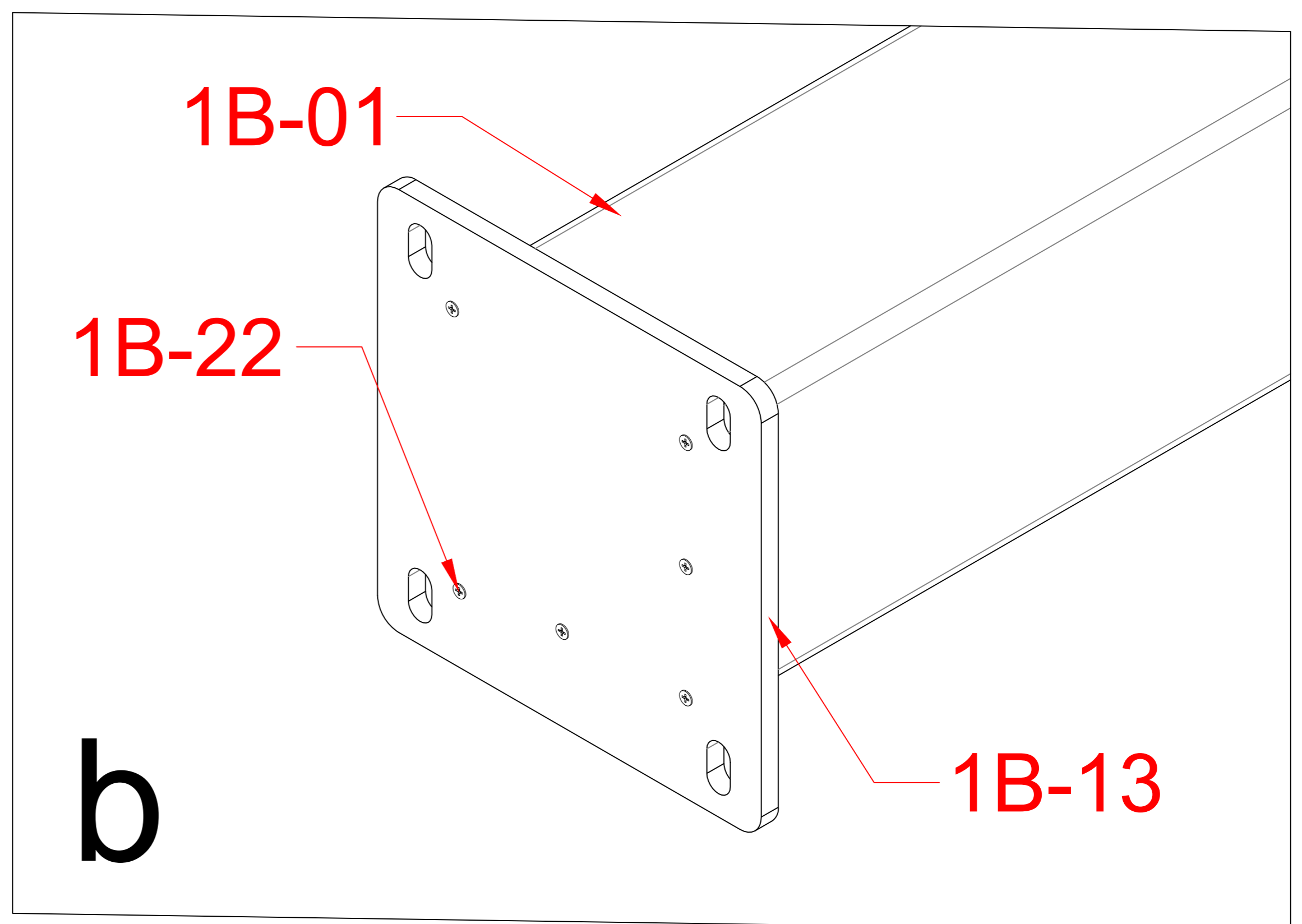


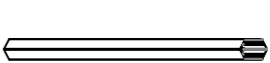
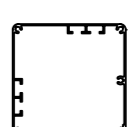
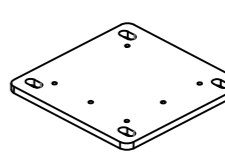
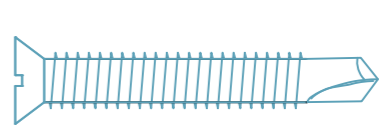
4x8-5



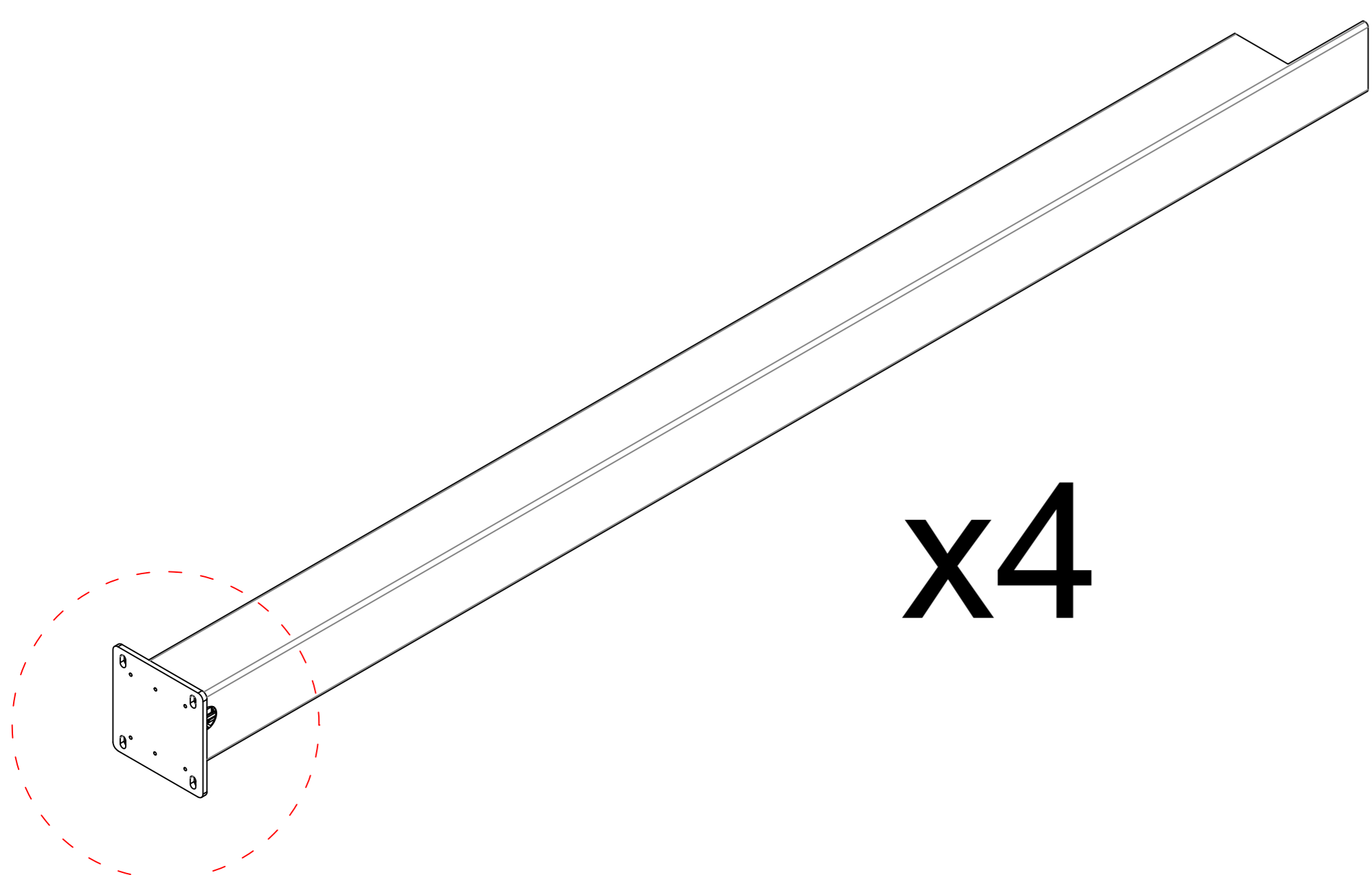
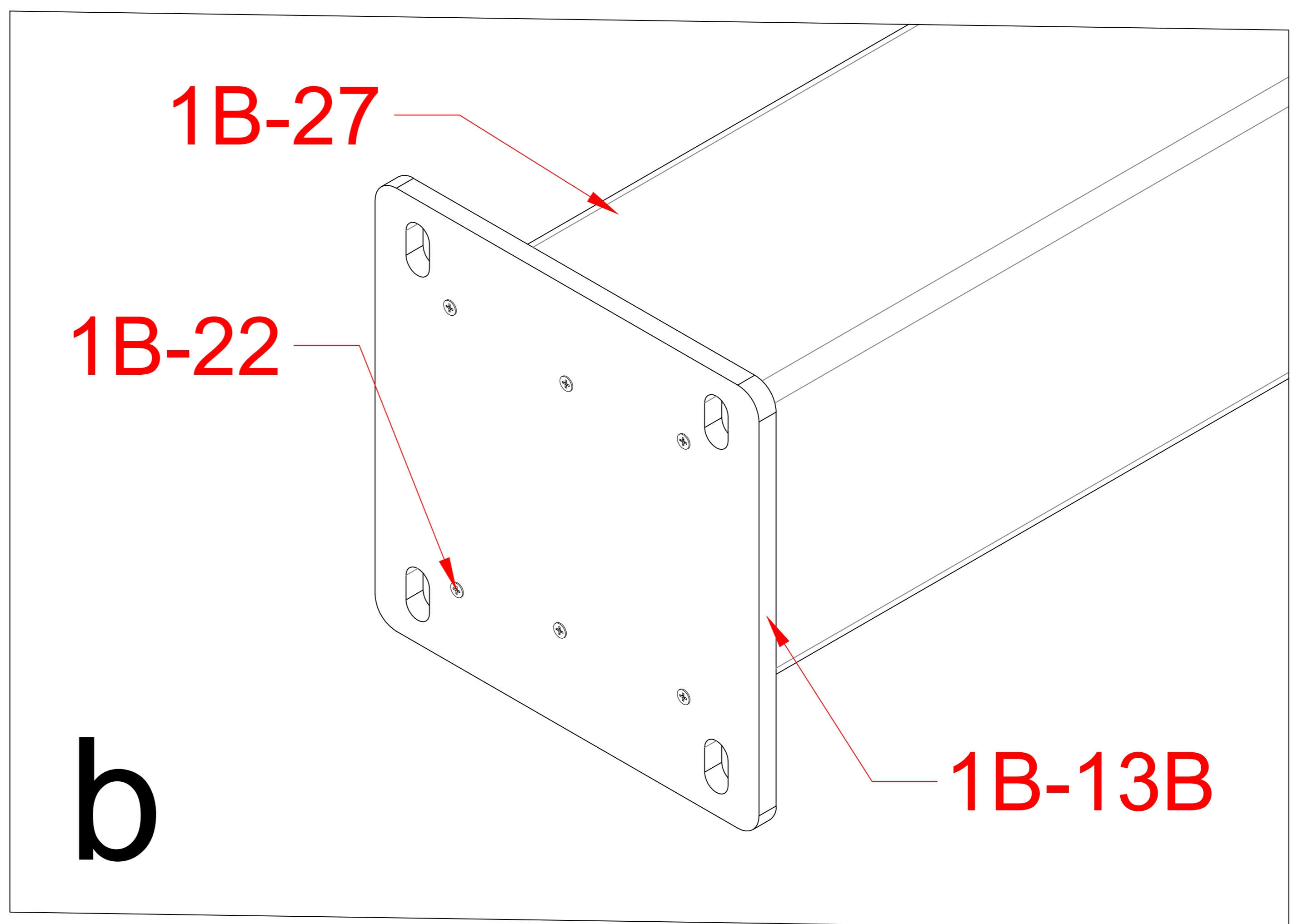
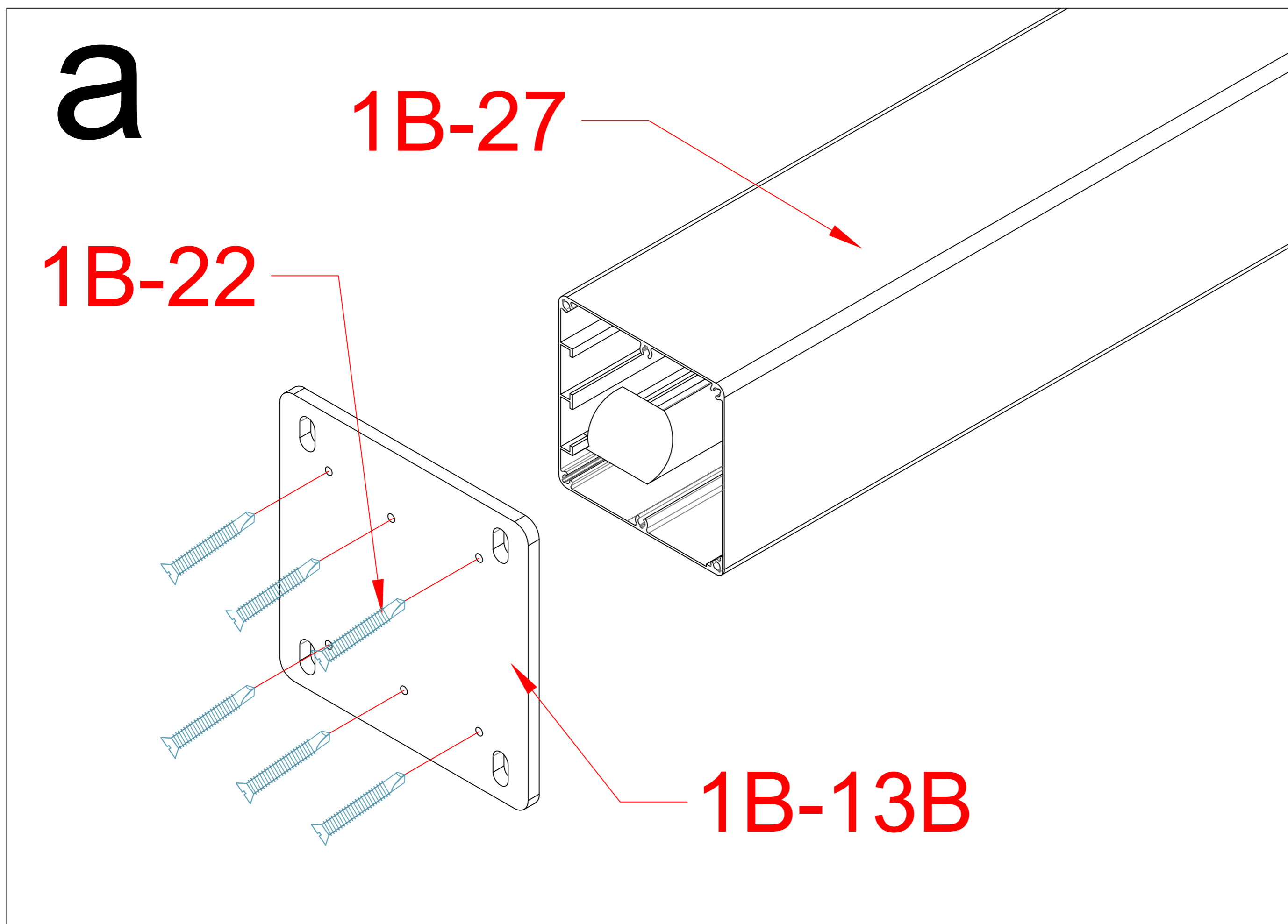


If there are electrical components including motor, blinds or LED light, Set the wire through the post firstly, otherwise it would be very difficult to do so after pergola was assembled.

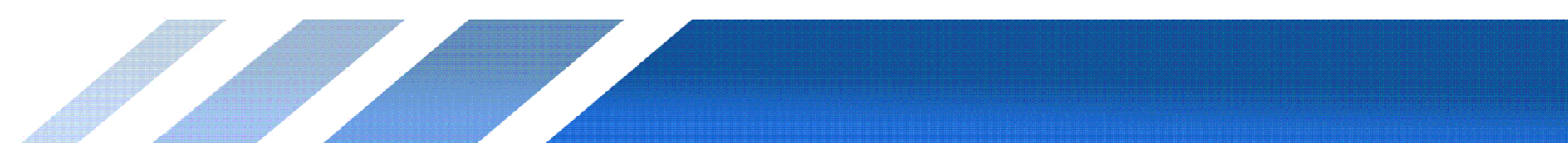


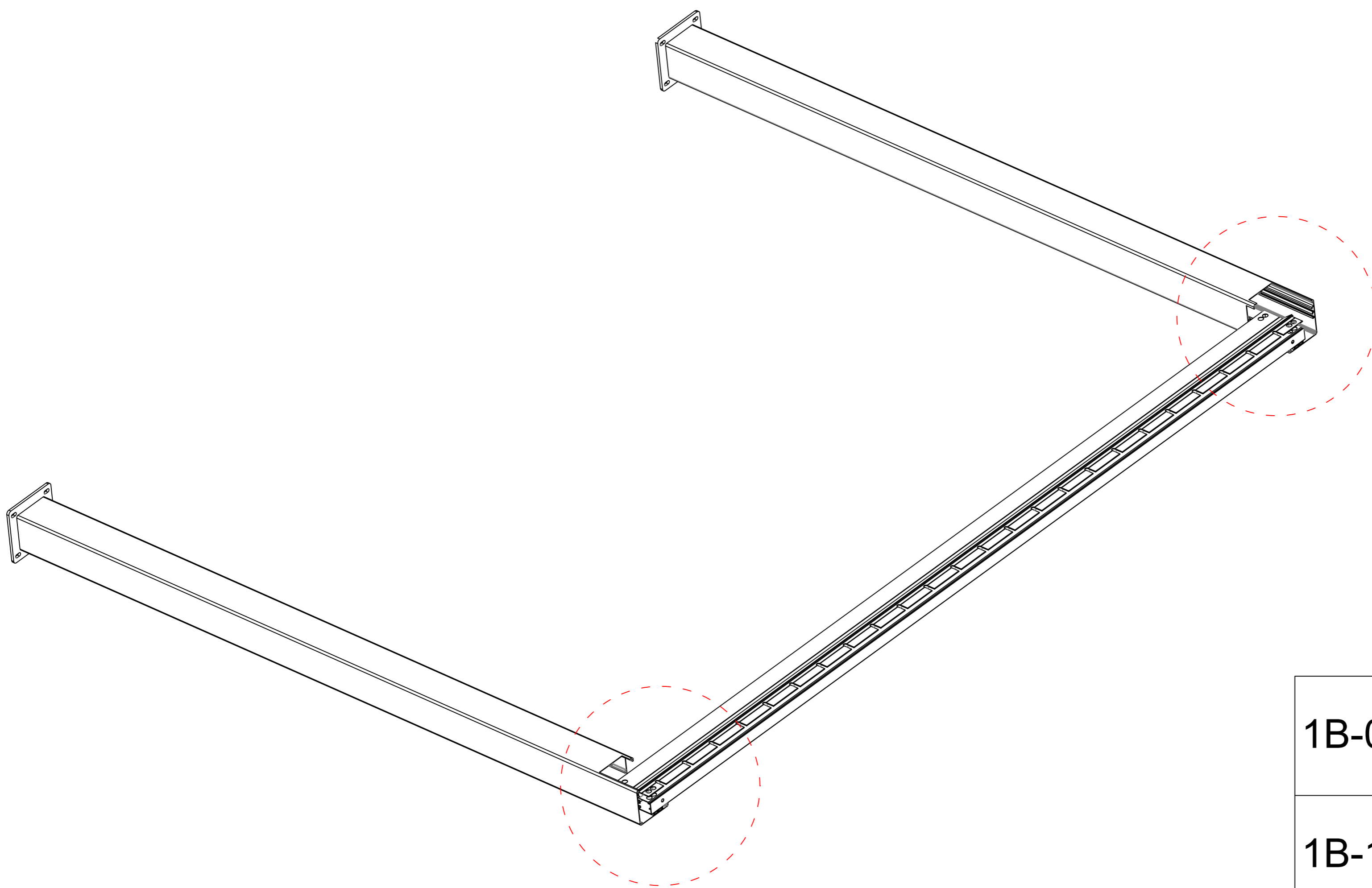
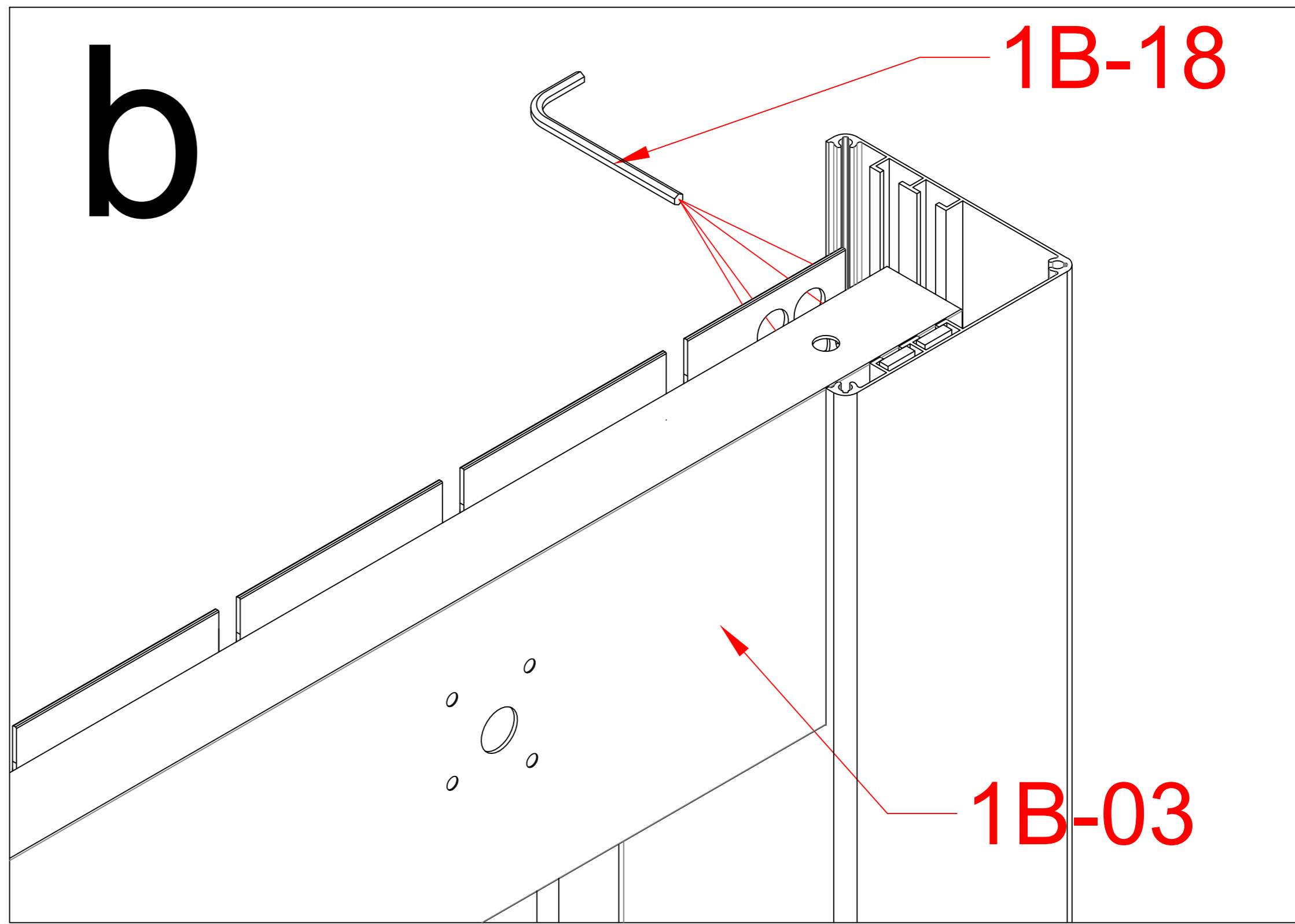
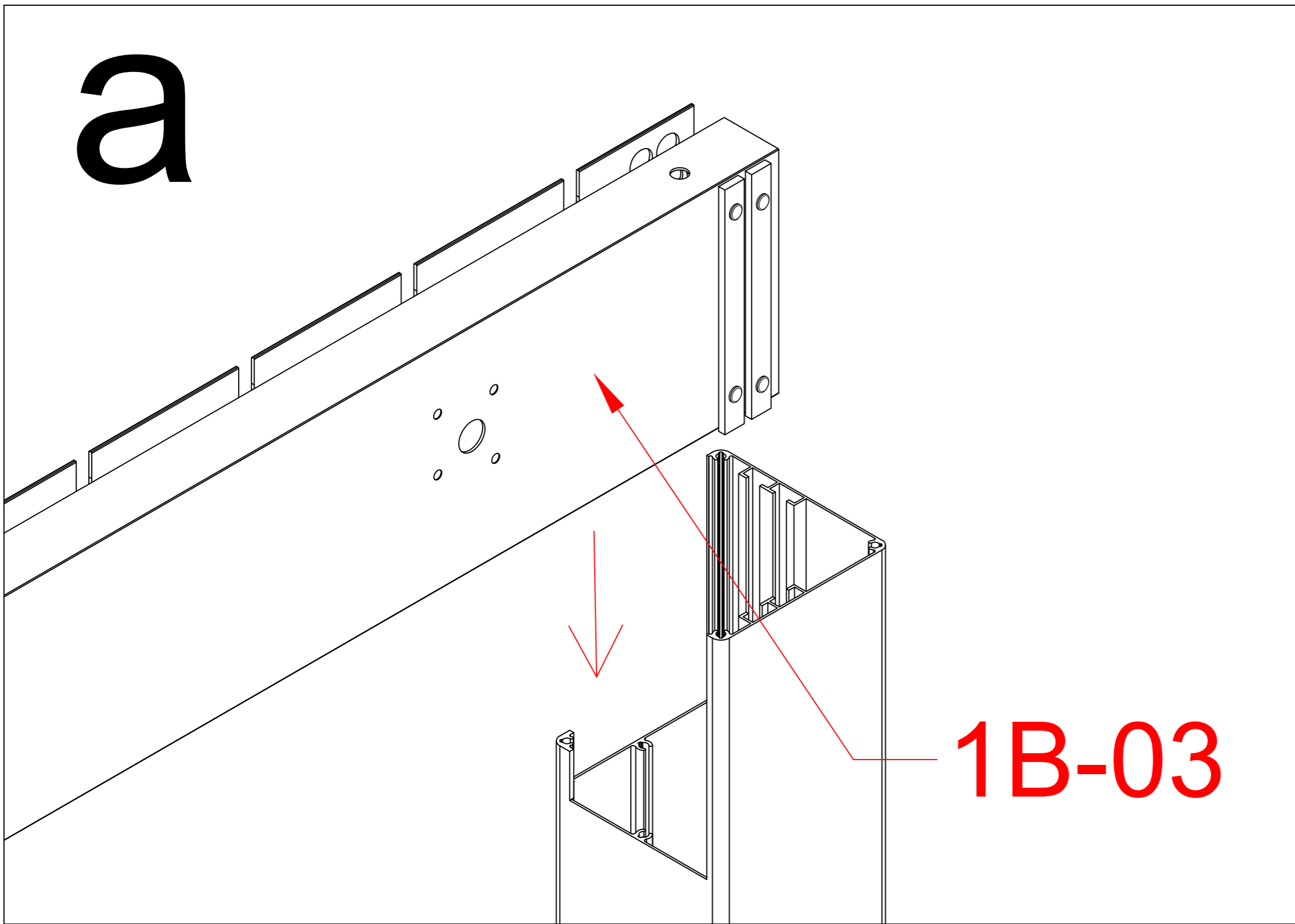
1B-01	 	4
1B-13		4
1B-22		24



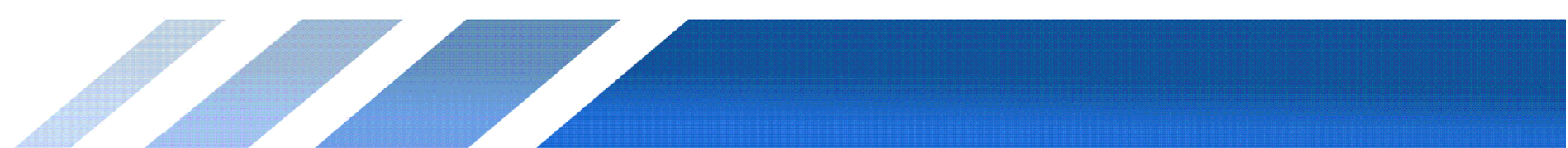


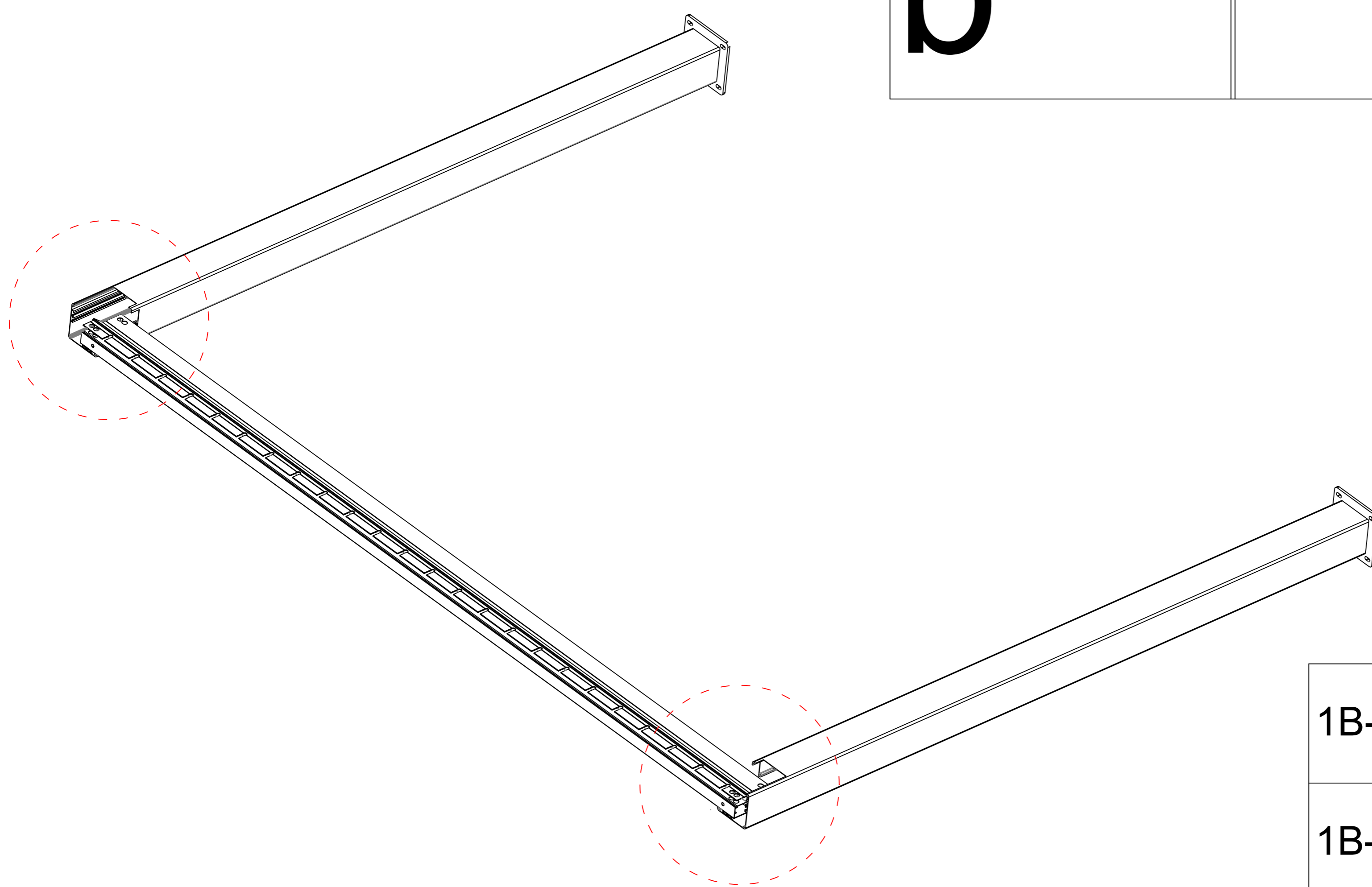
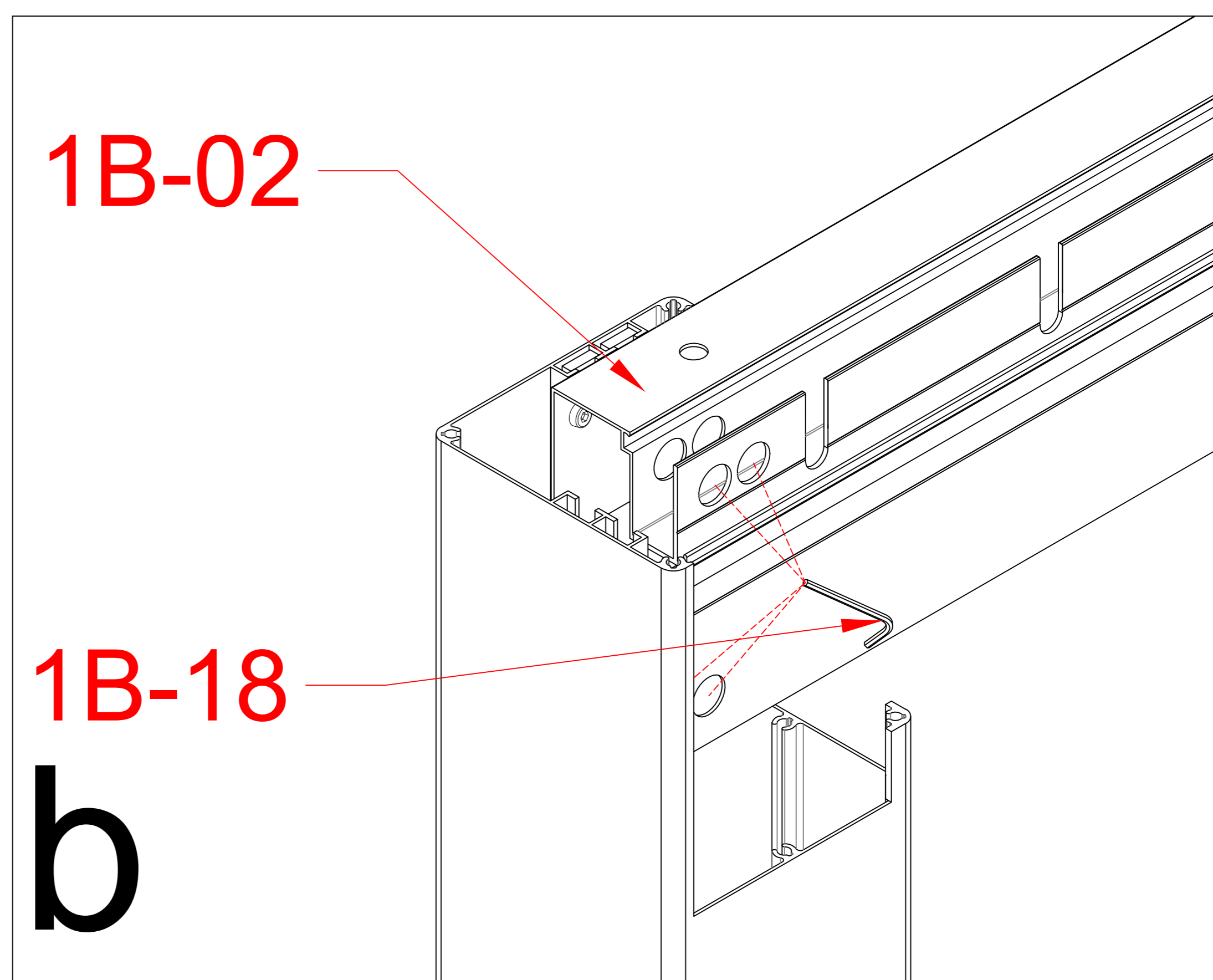
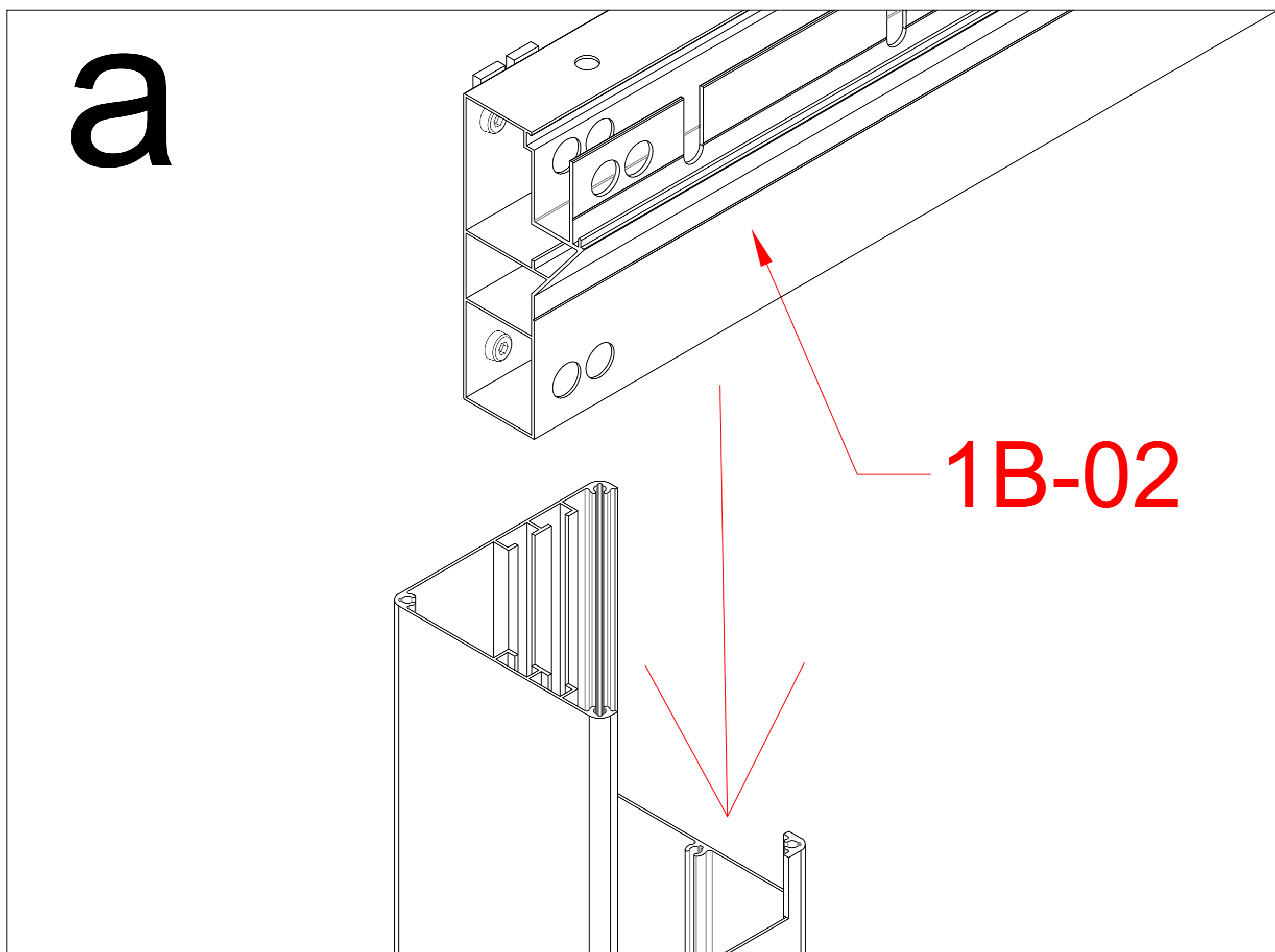
1B-27		4
1B-13B		4
1B-22		24

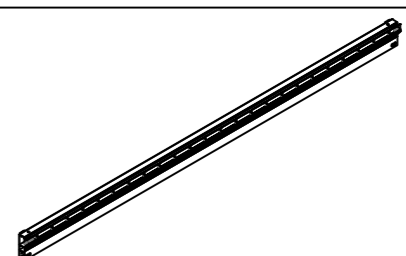
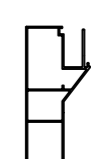



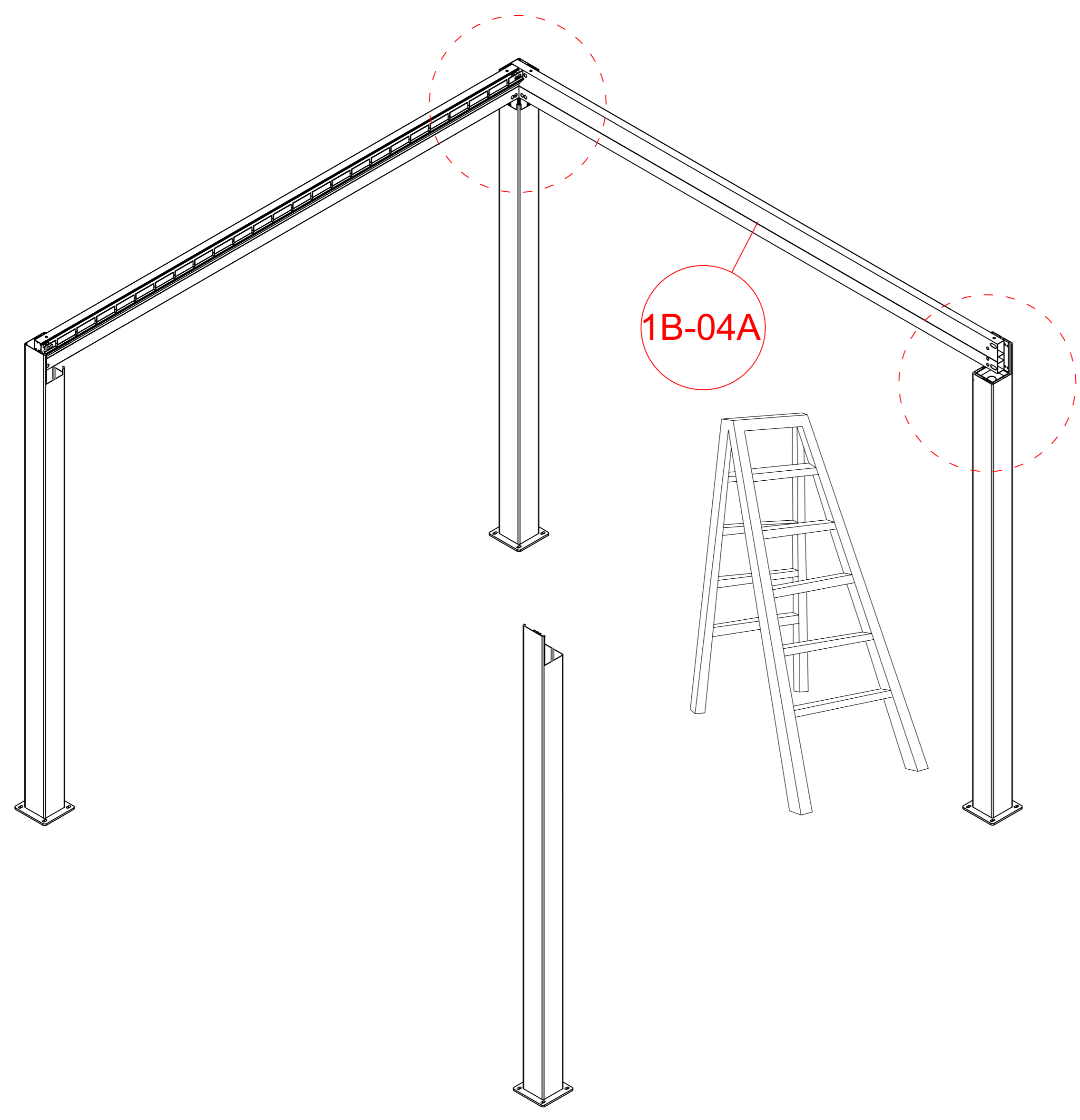
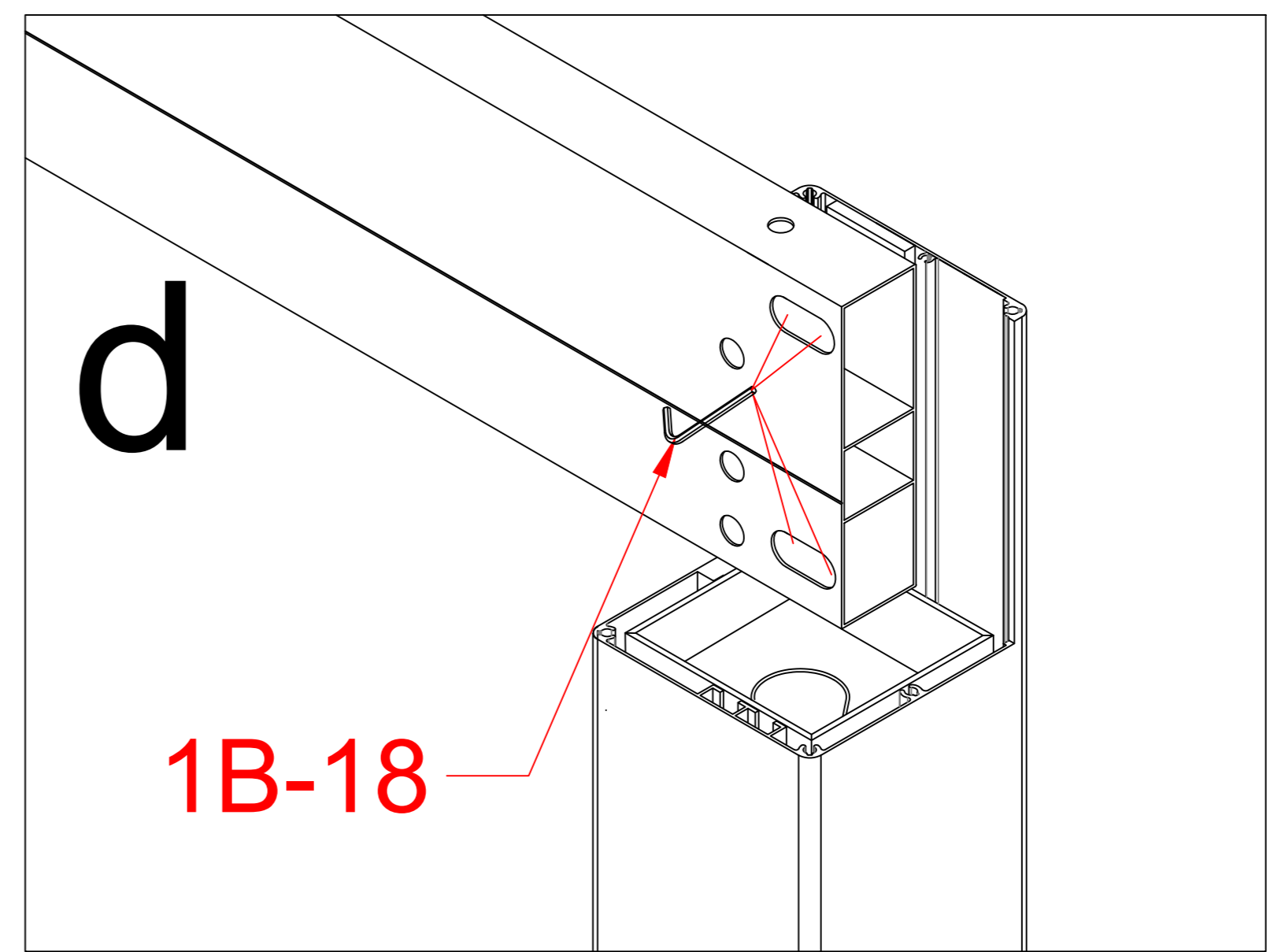
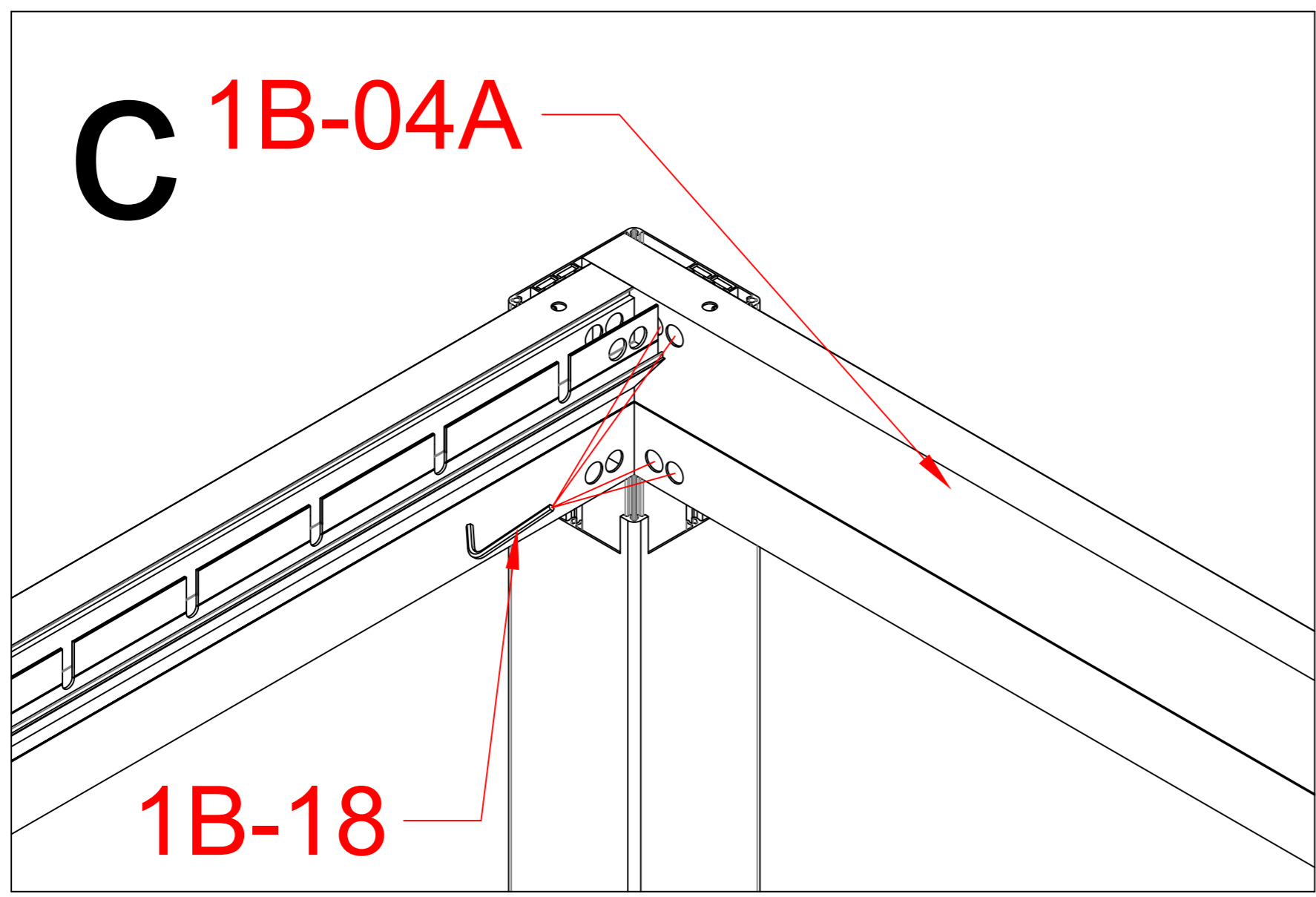
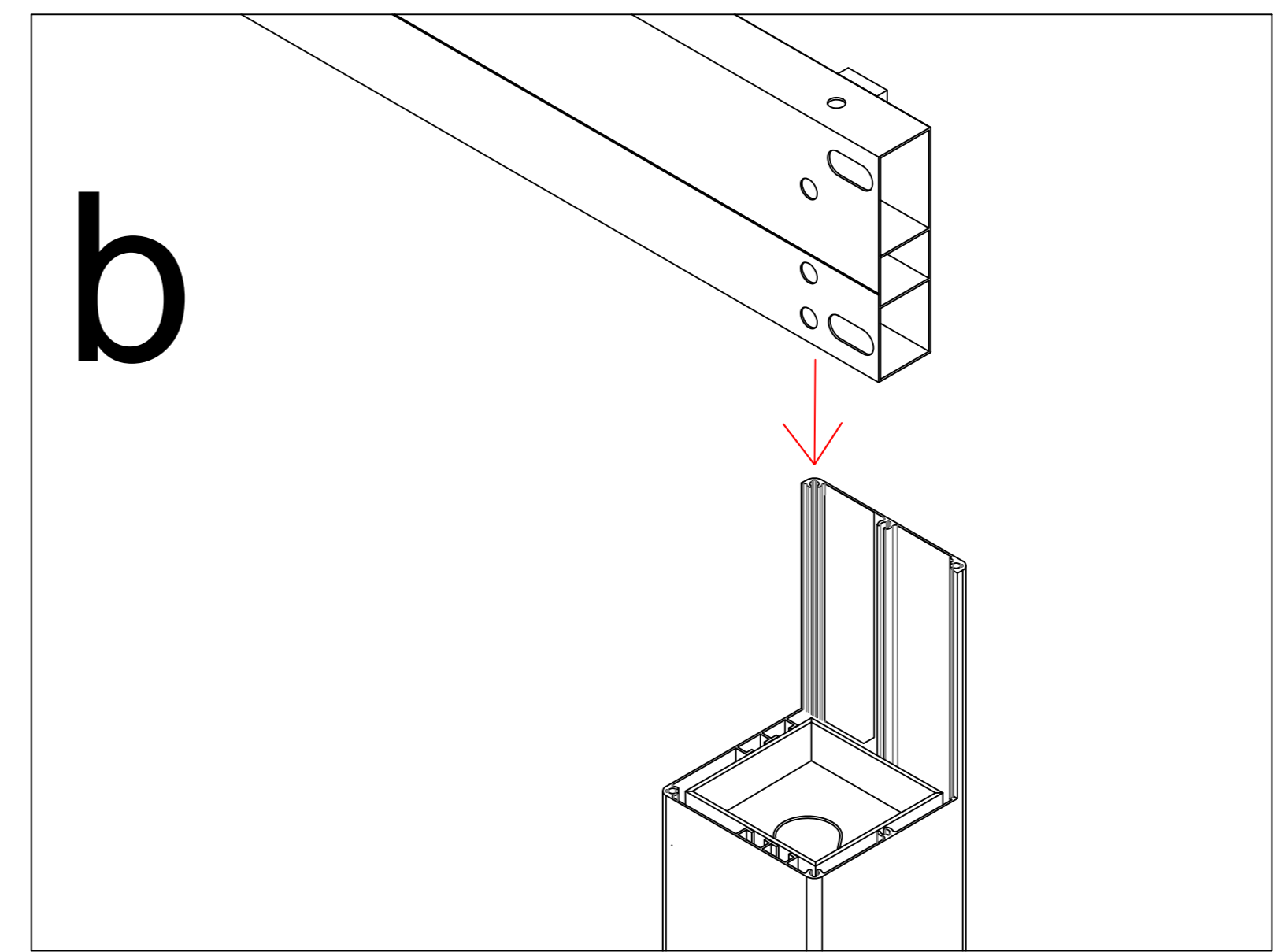
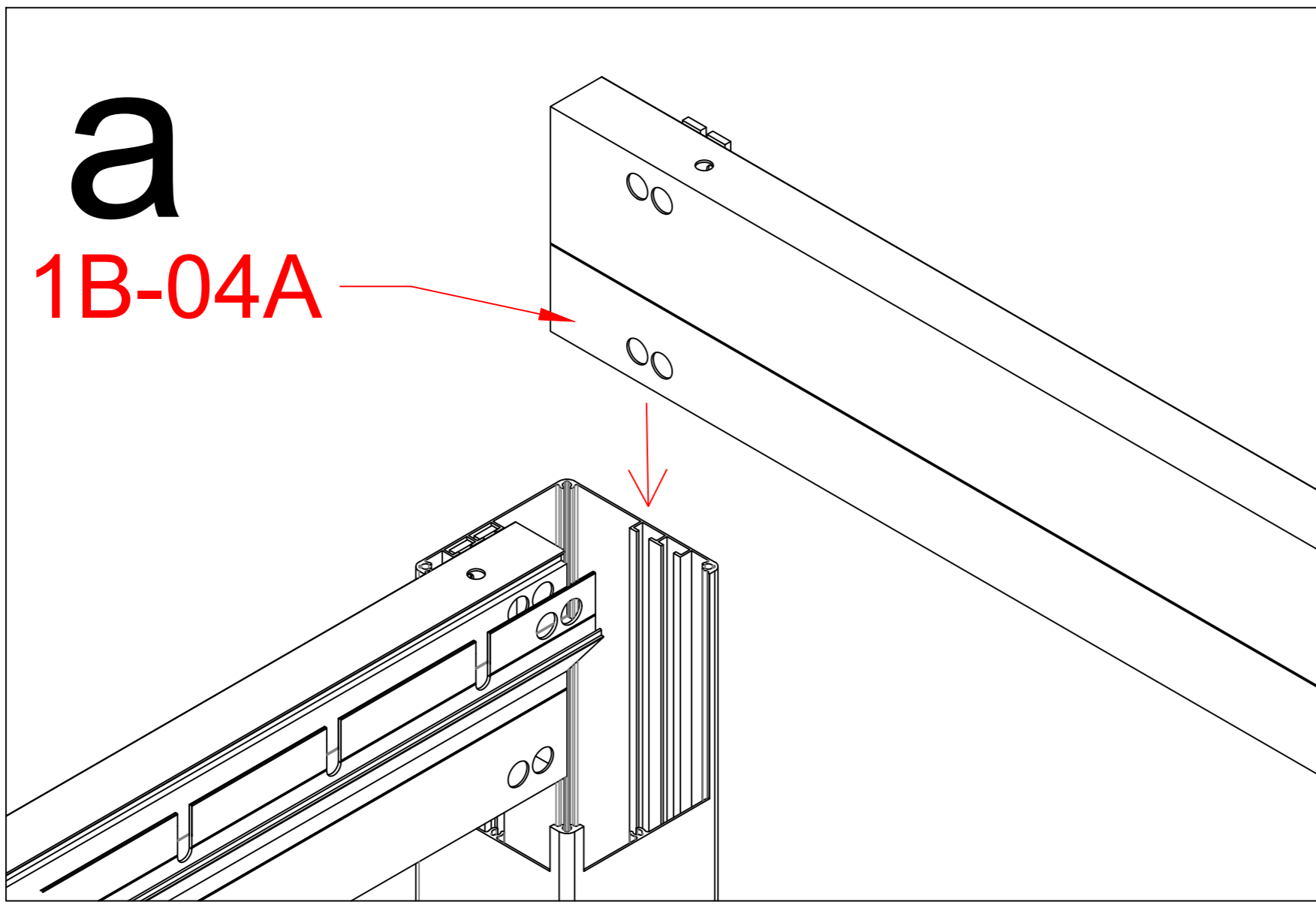


1B-03			1
1B-18			1

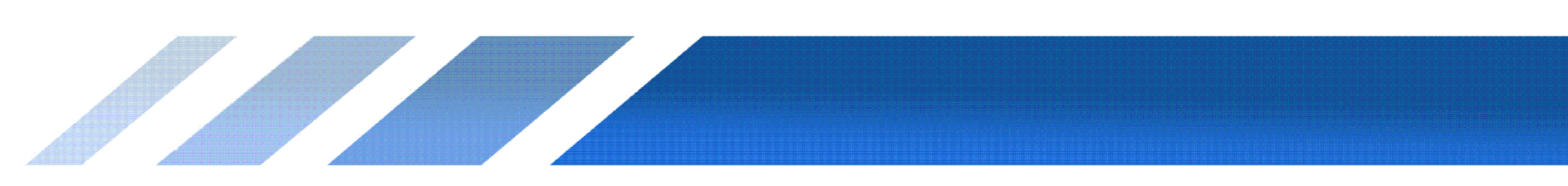


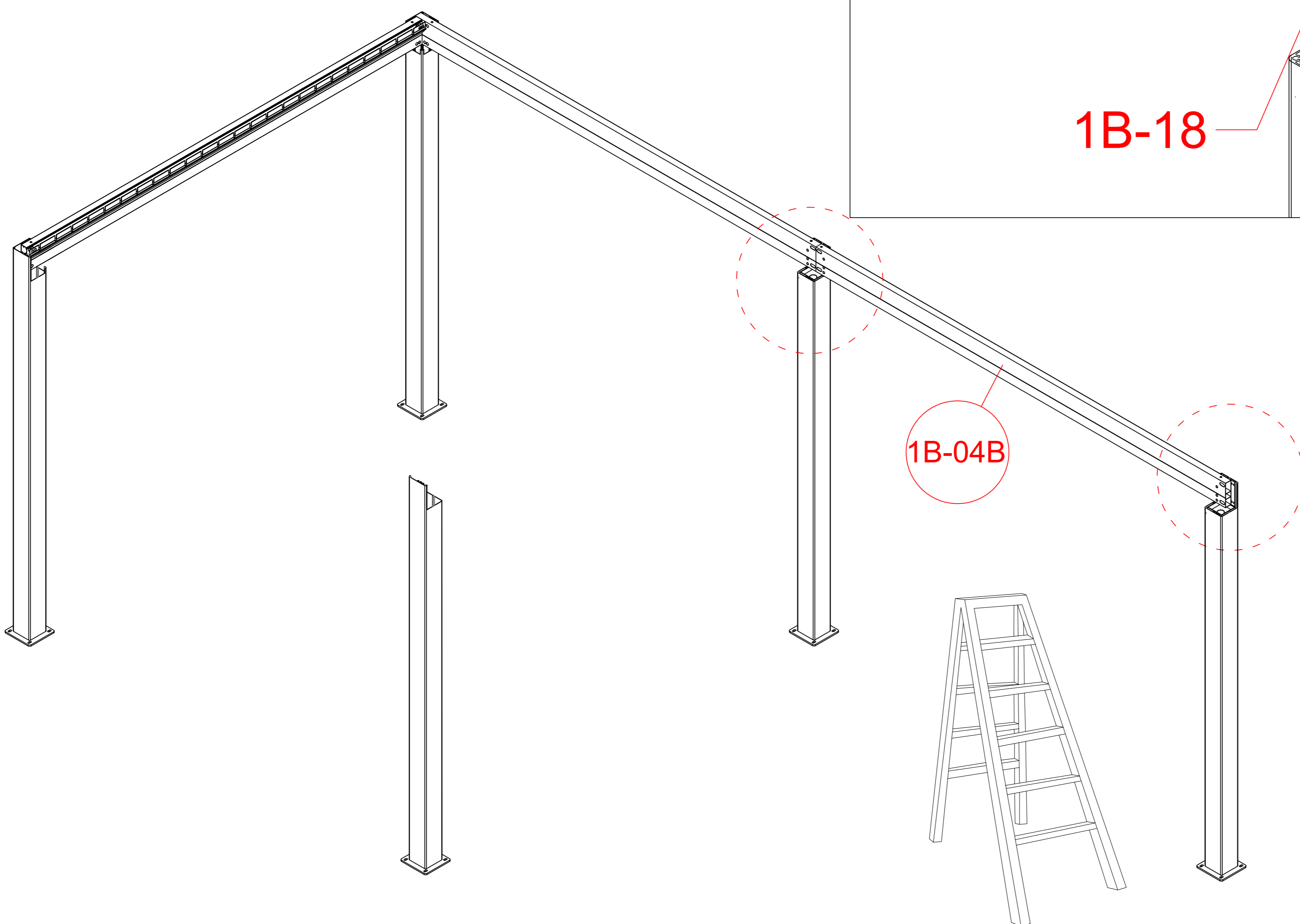
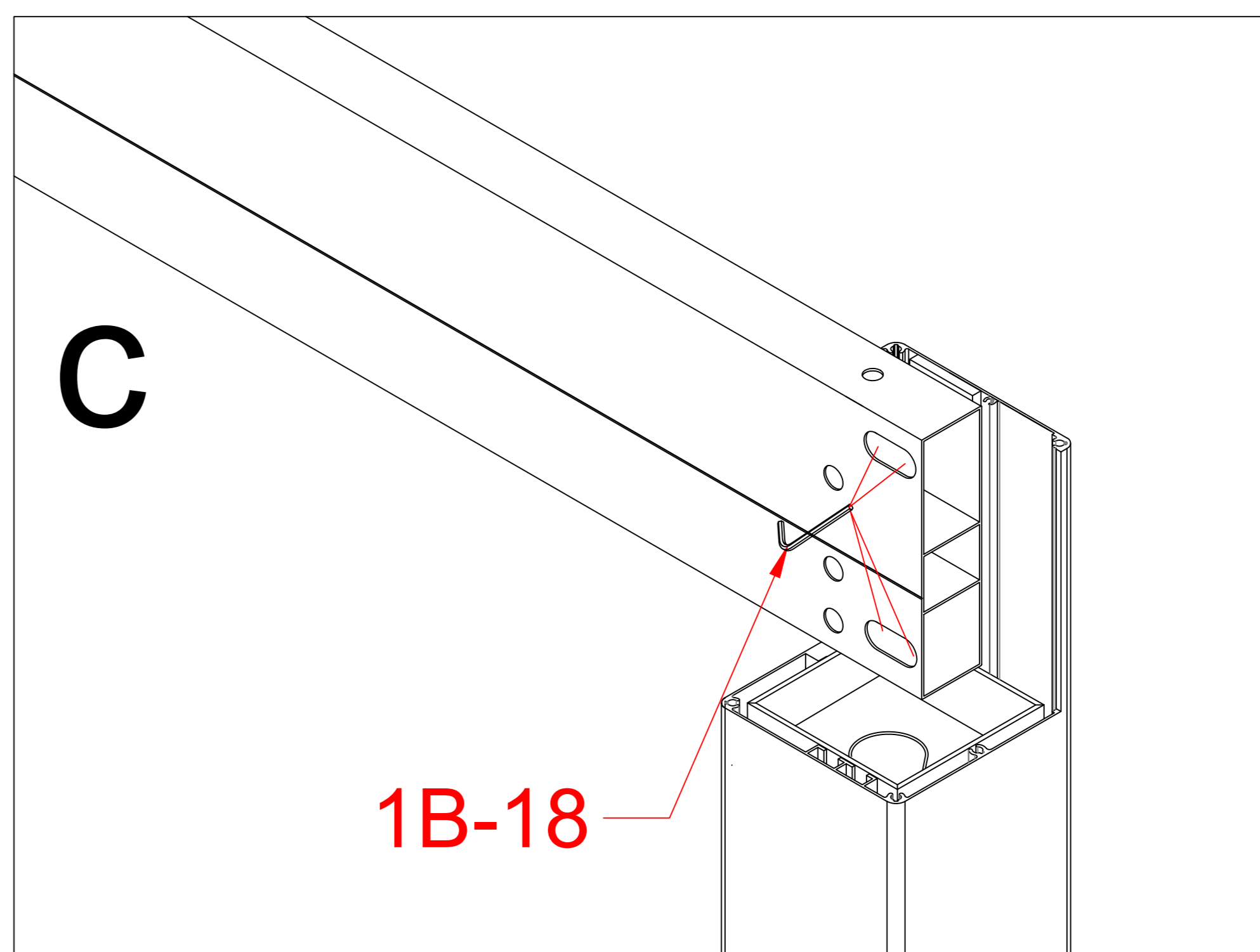
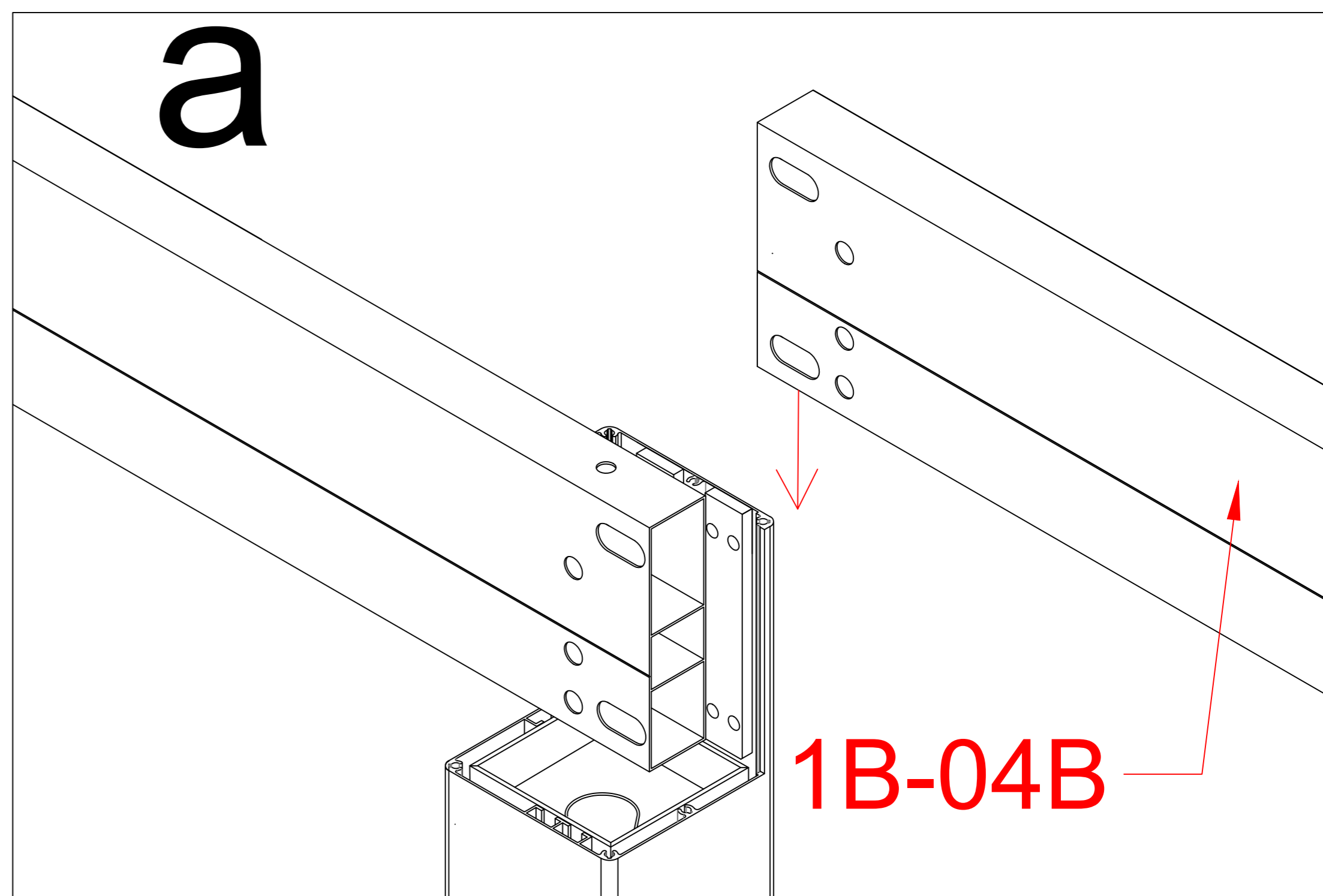
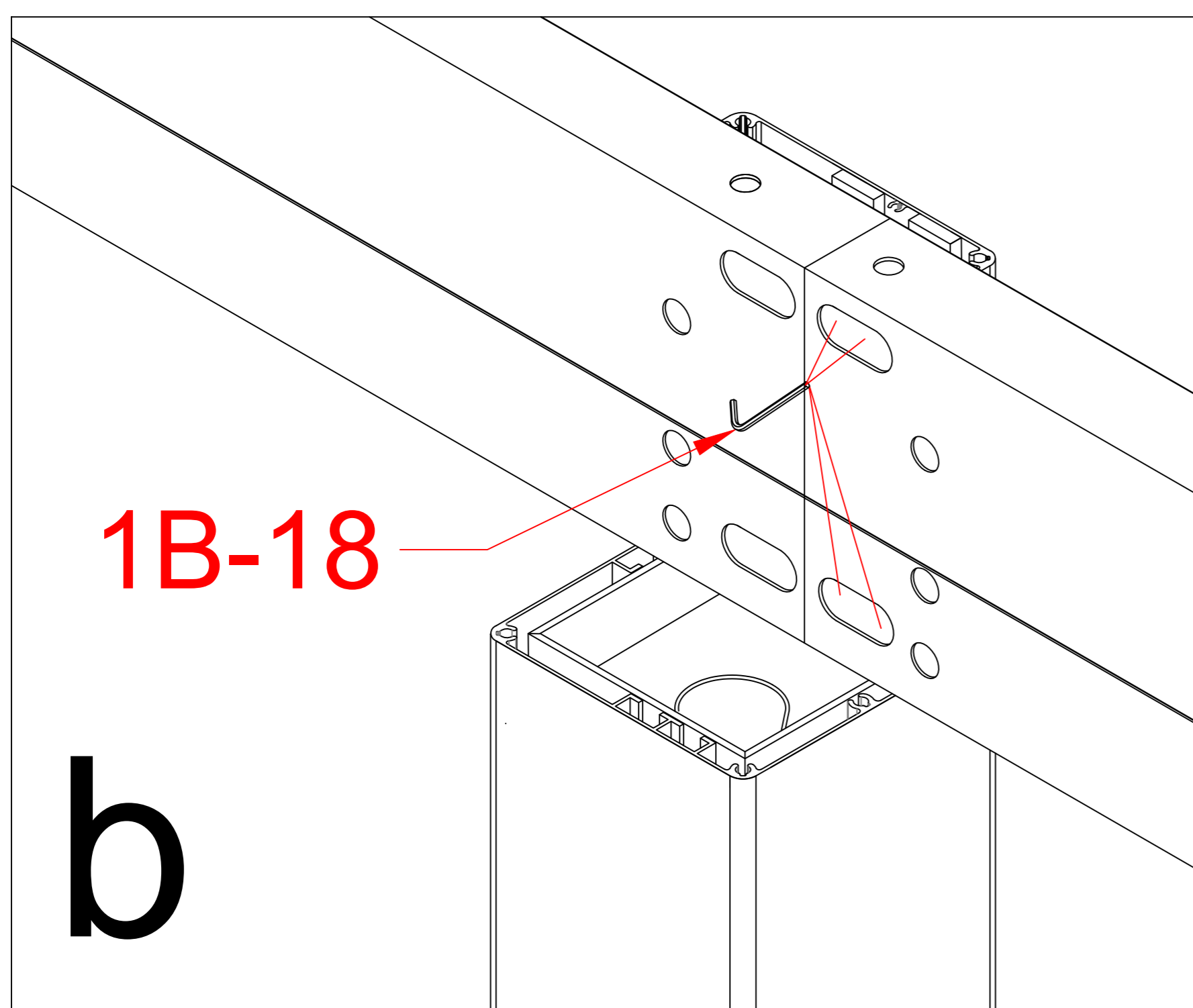


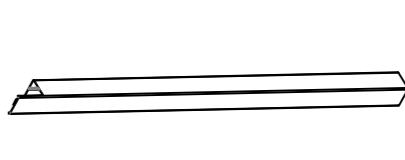
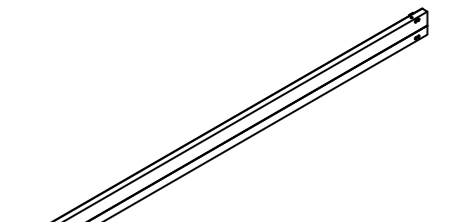
1B-02			1
1B-18			1

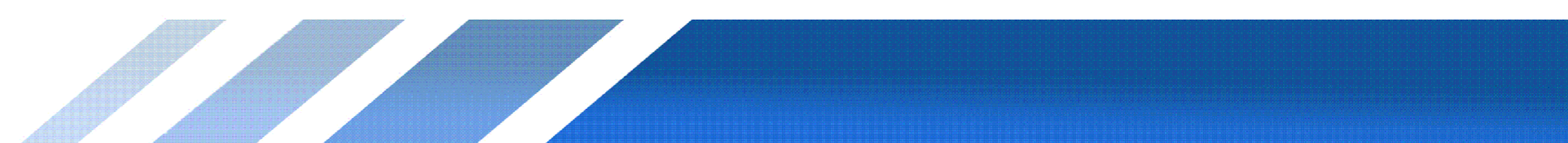


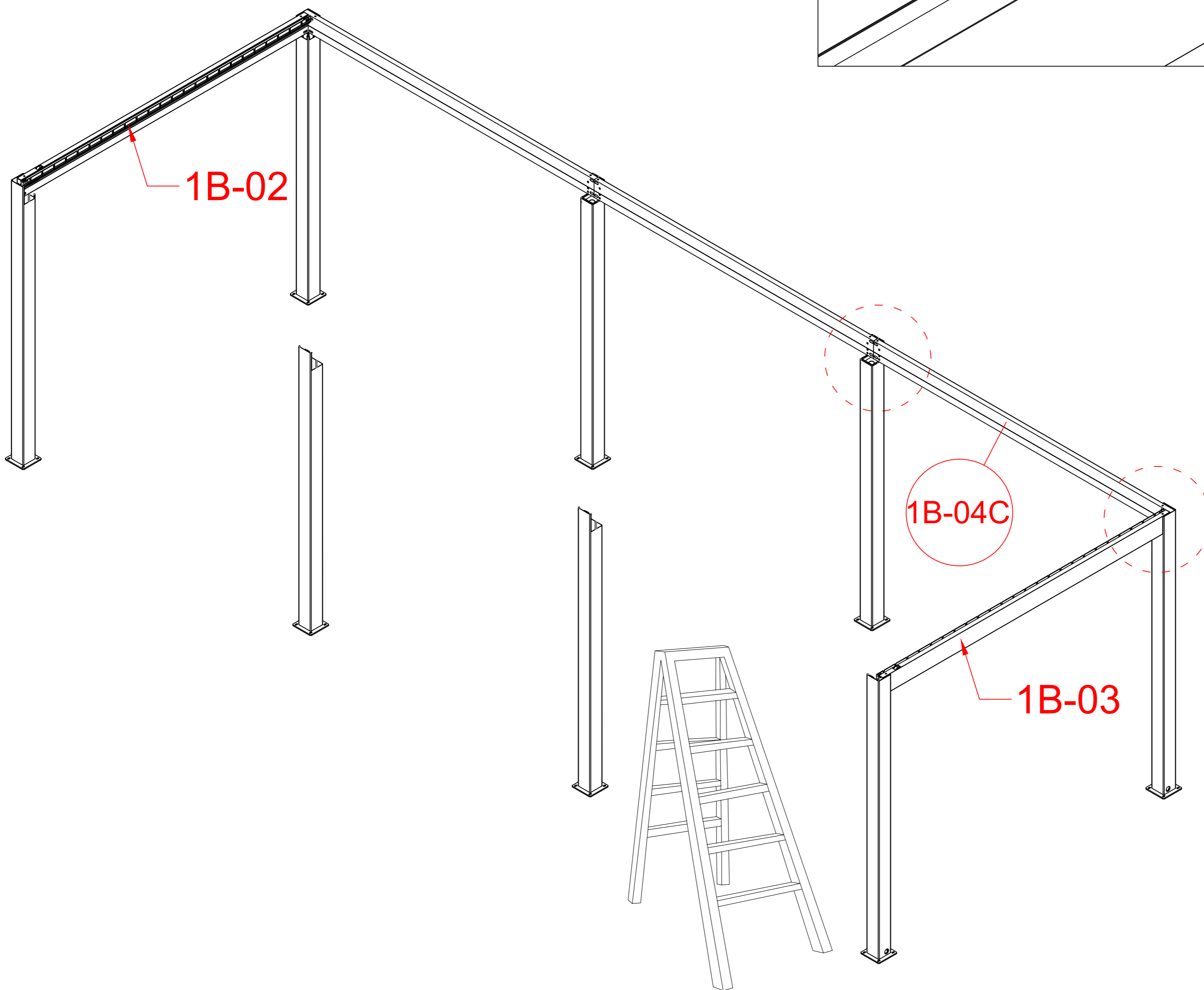
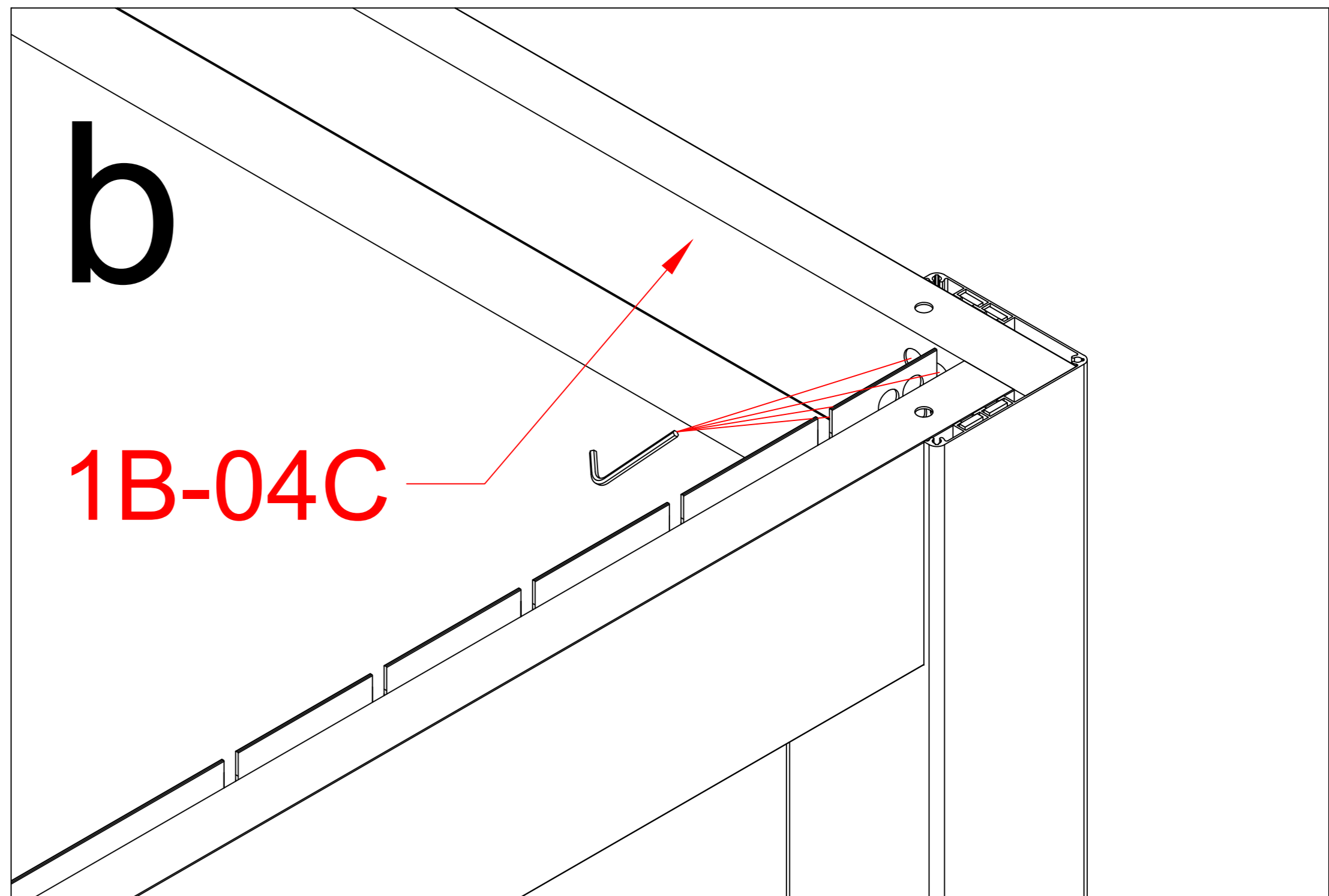
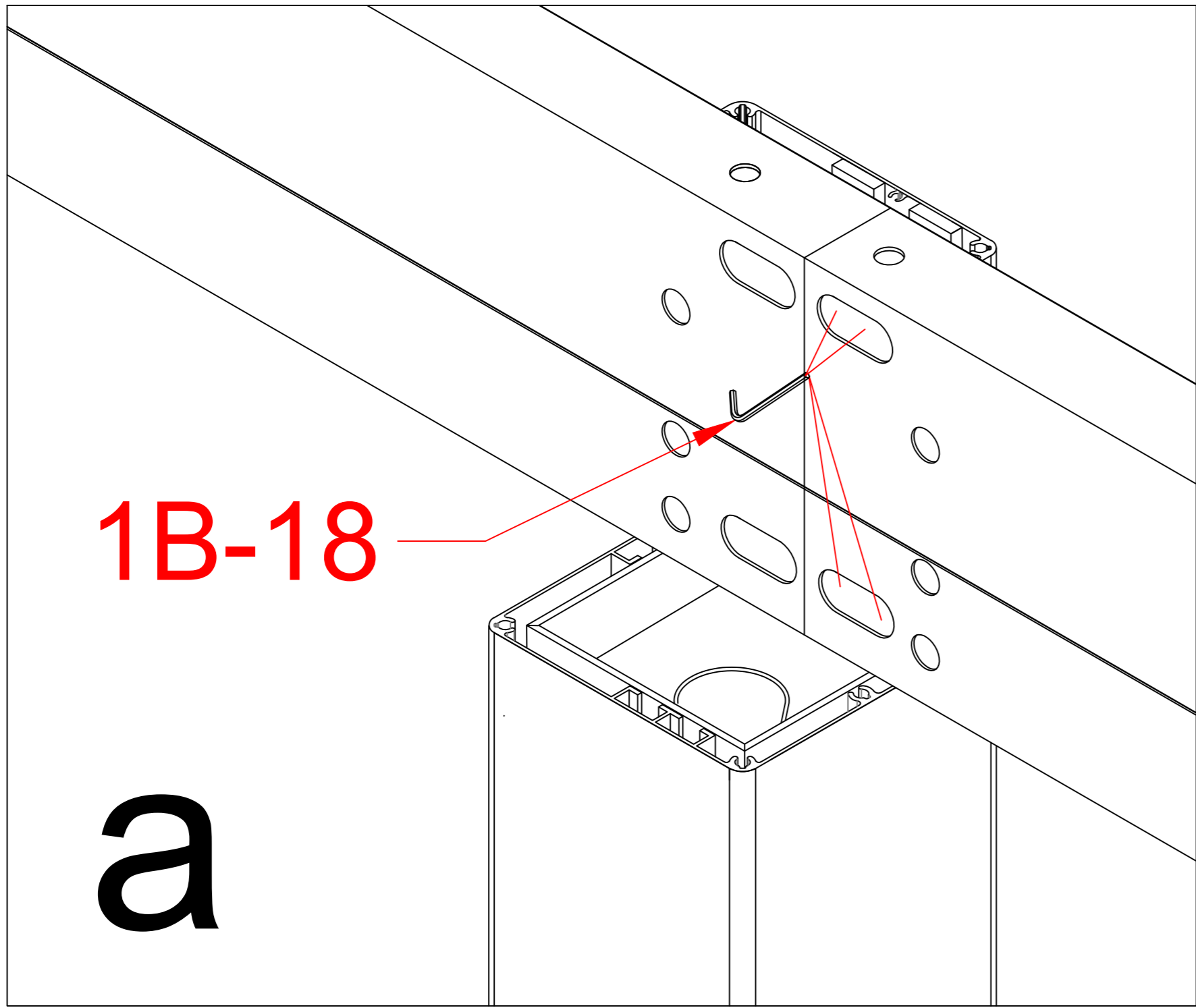
1B-18		1
1B-27		2
1B-04A		1



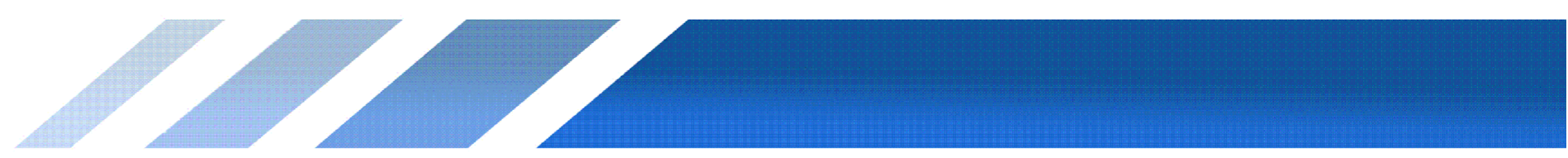


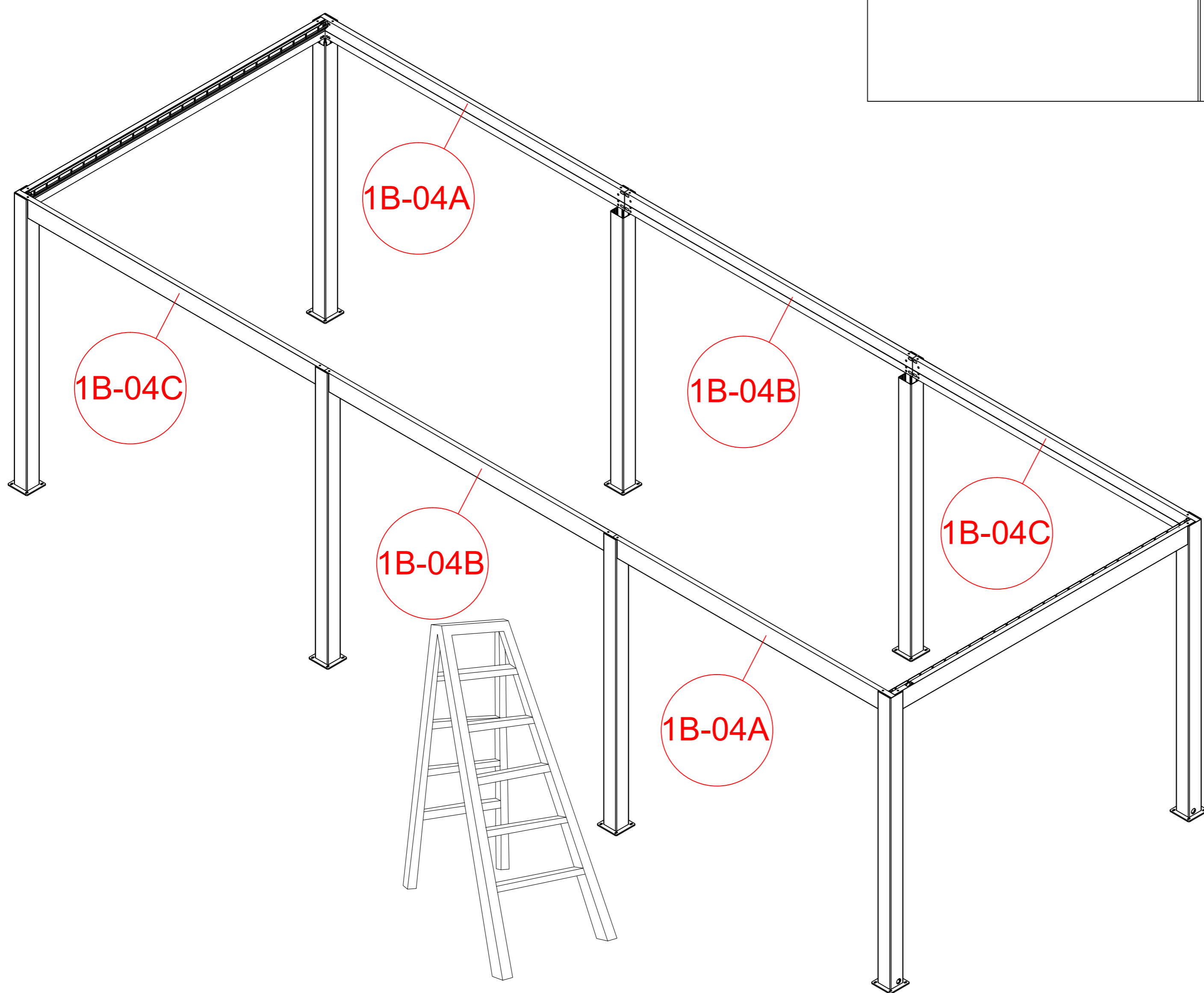
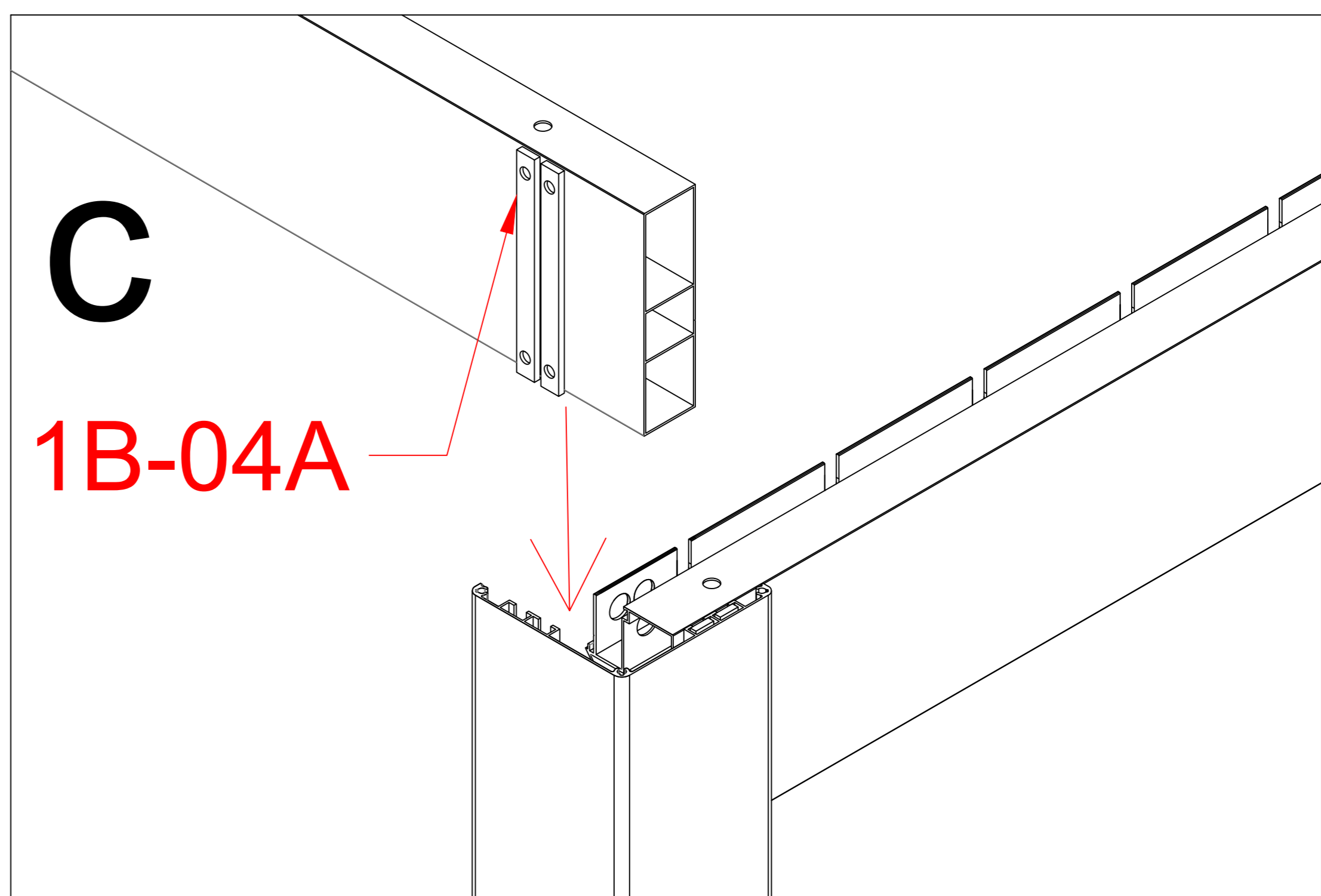
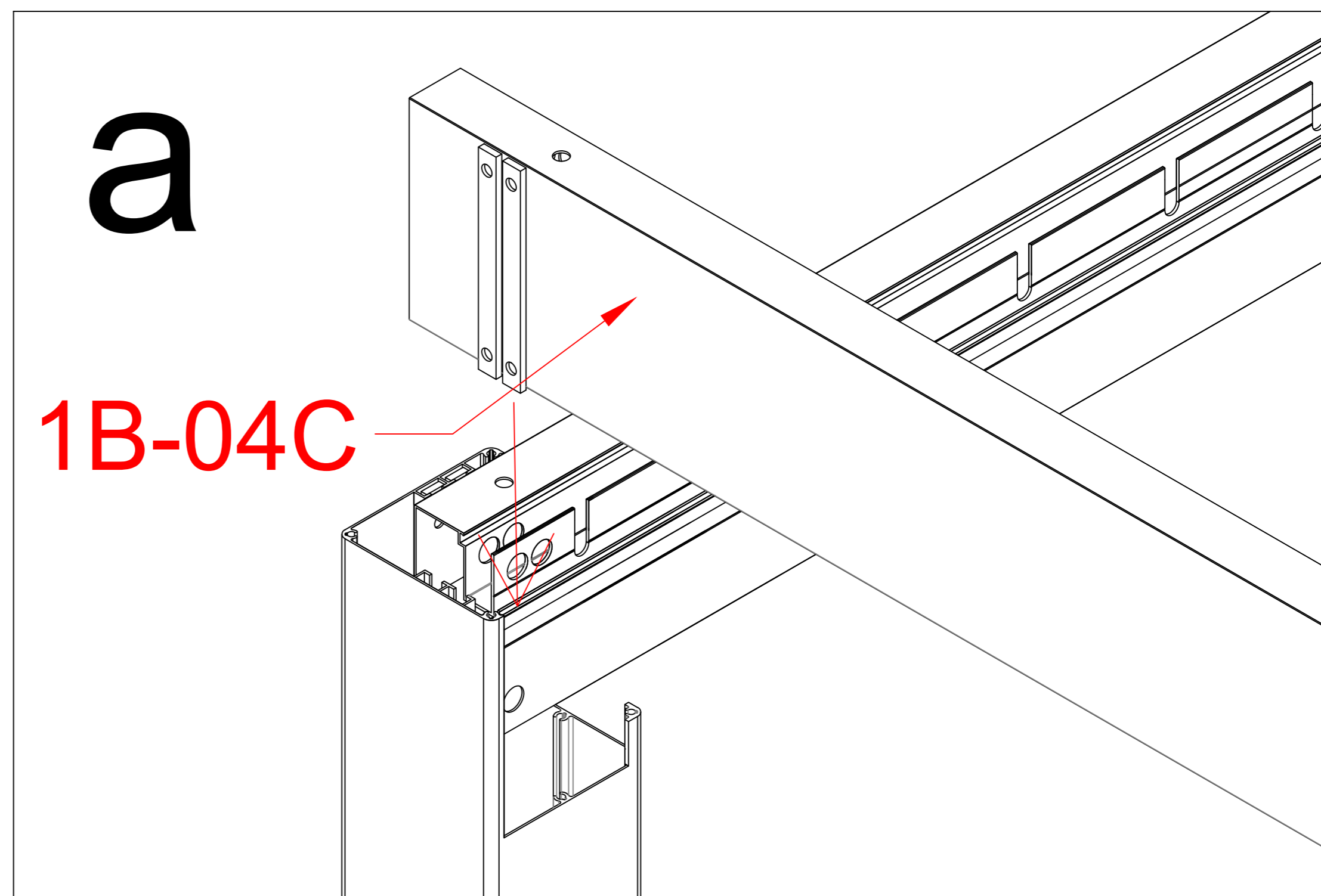
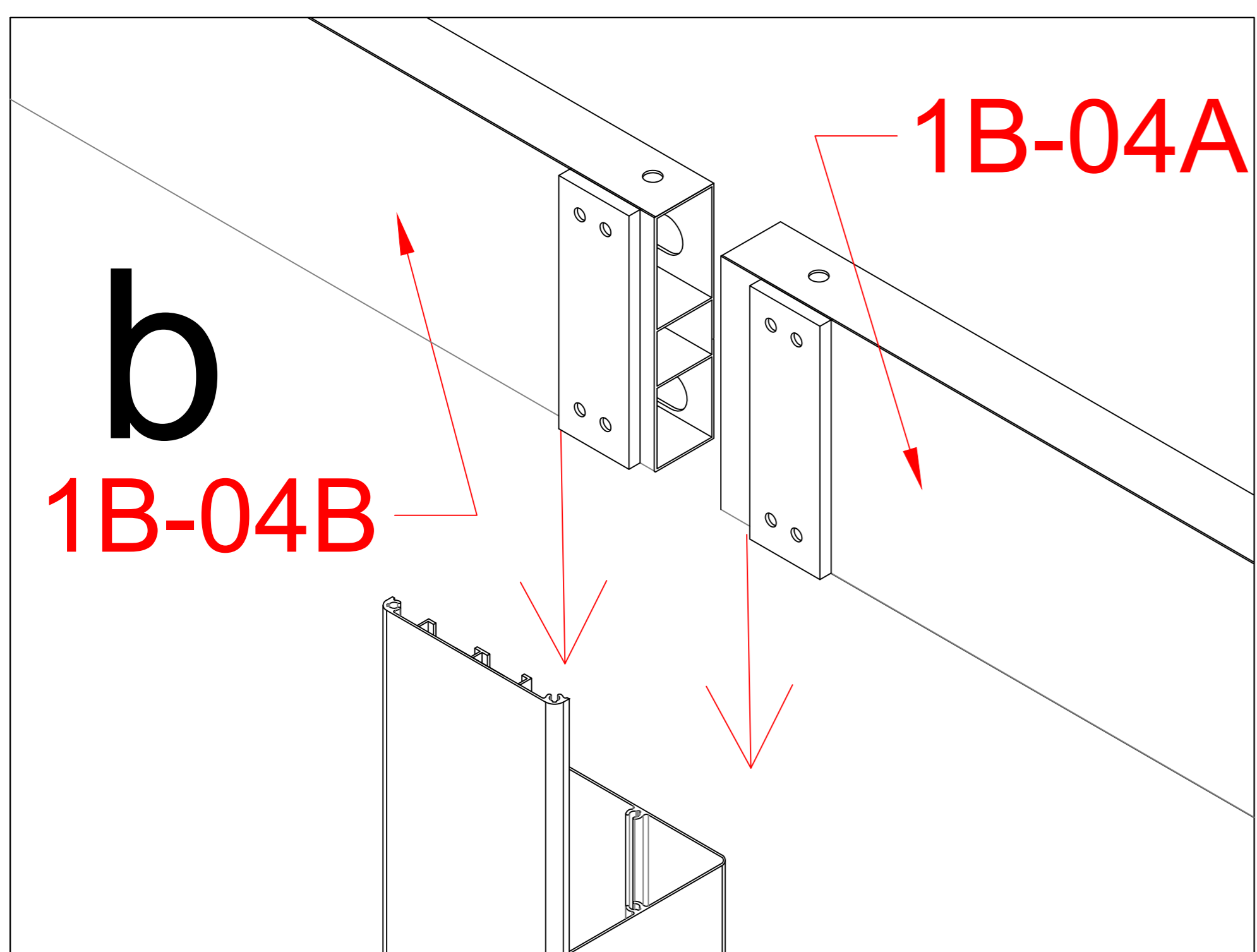
1B-27		2
1B-04B		1



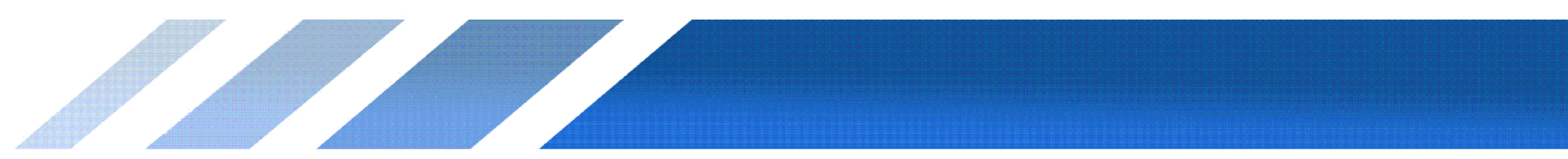


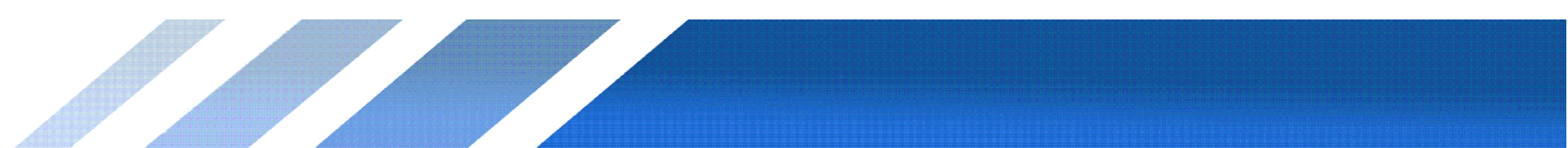
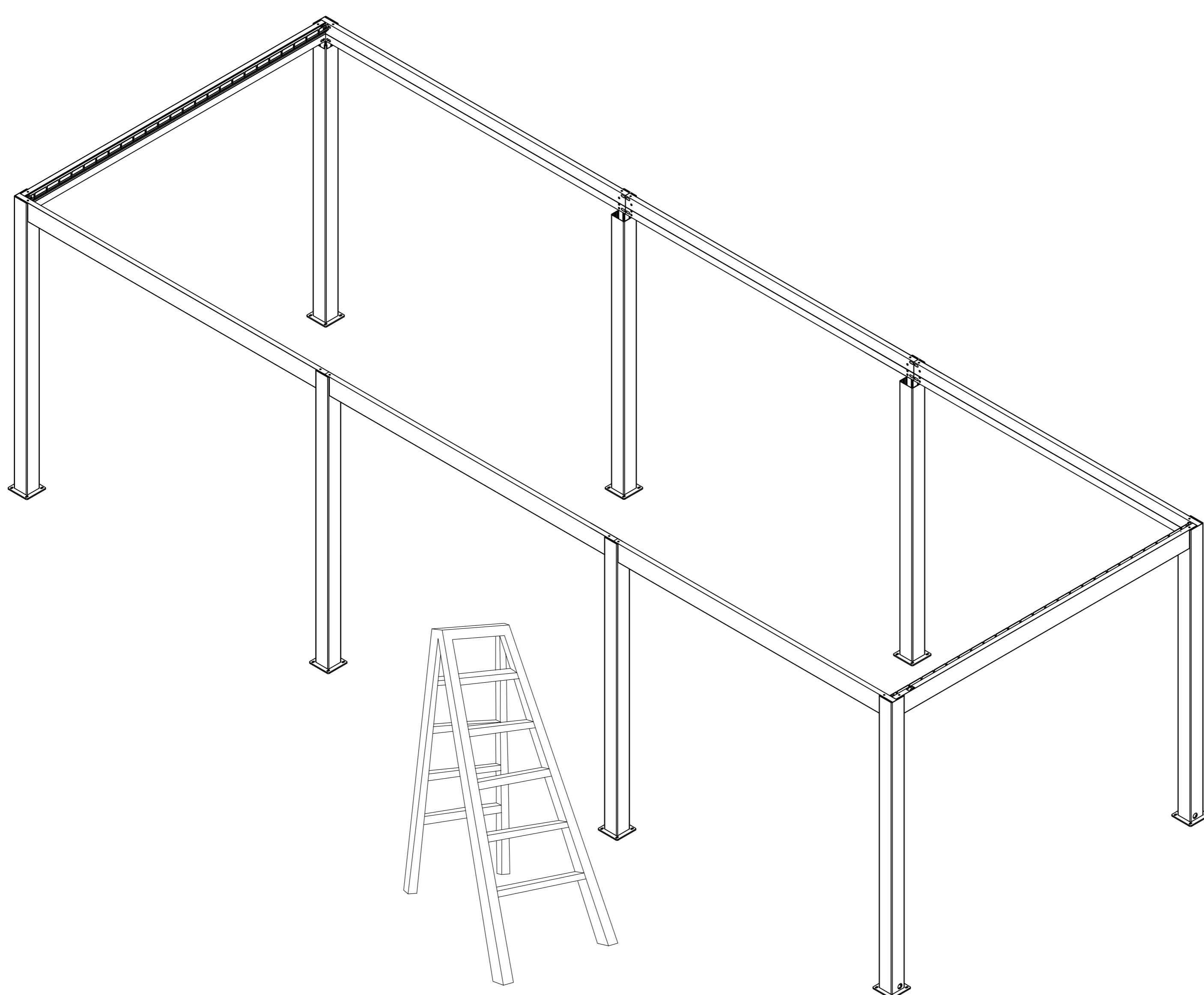
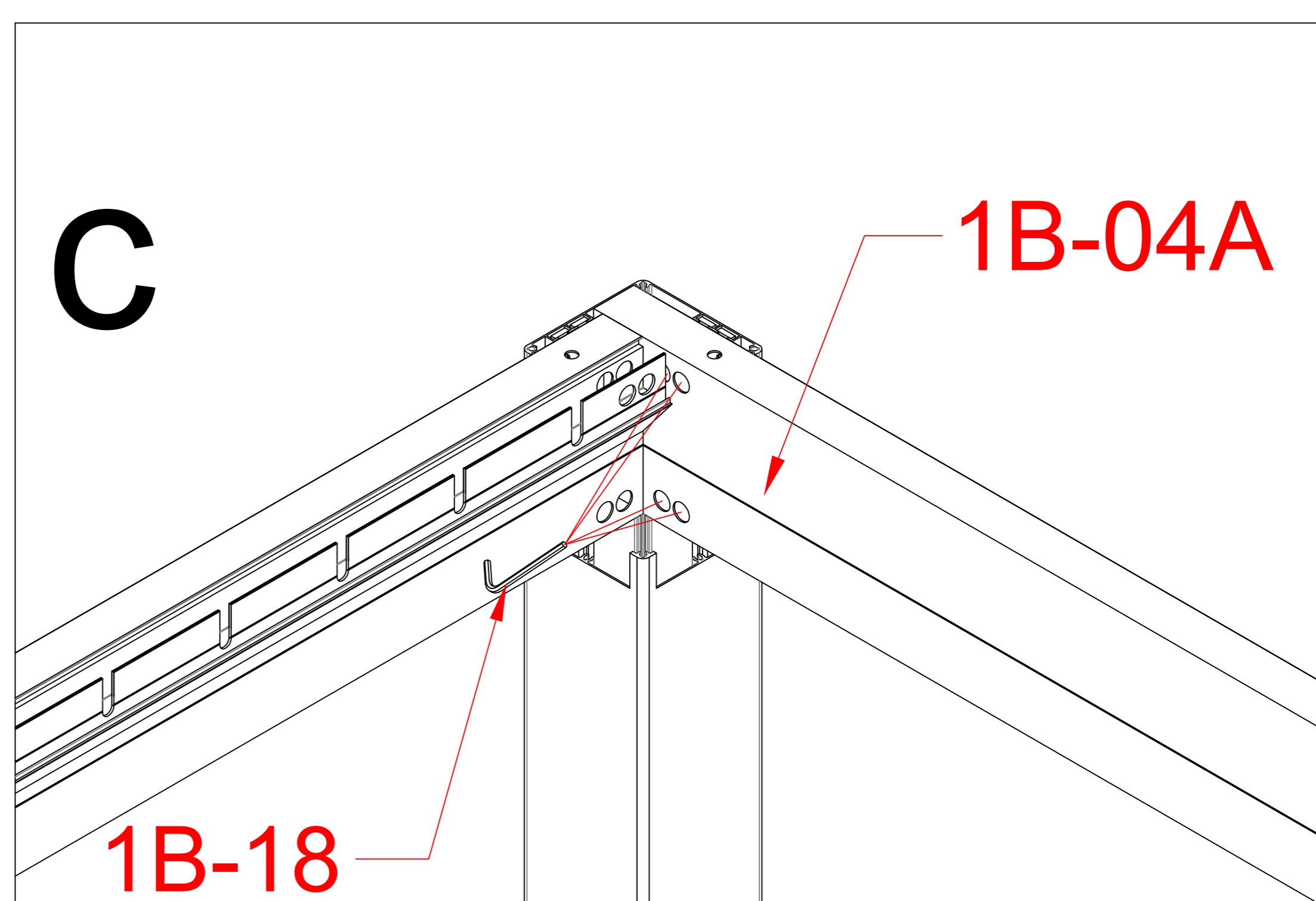
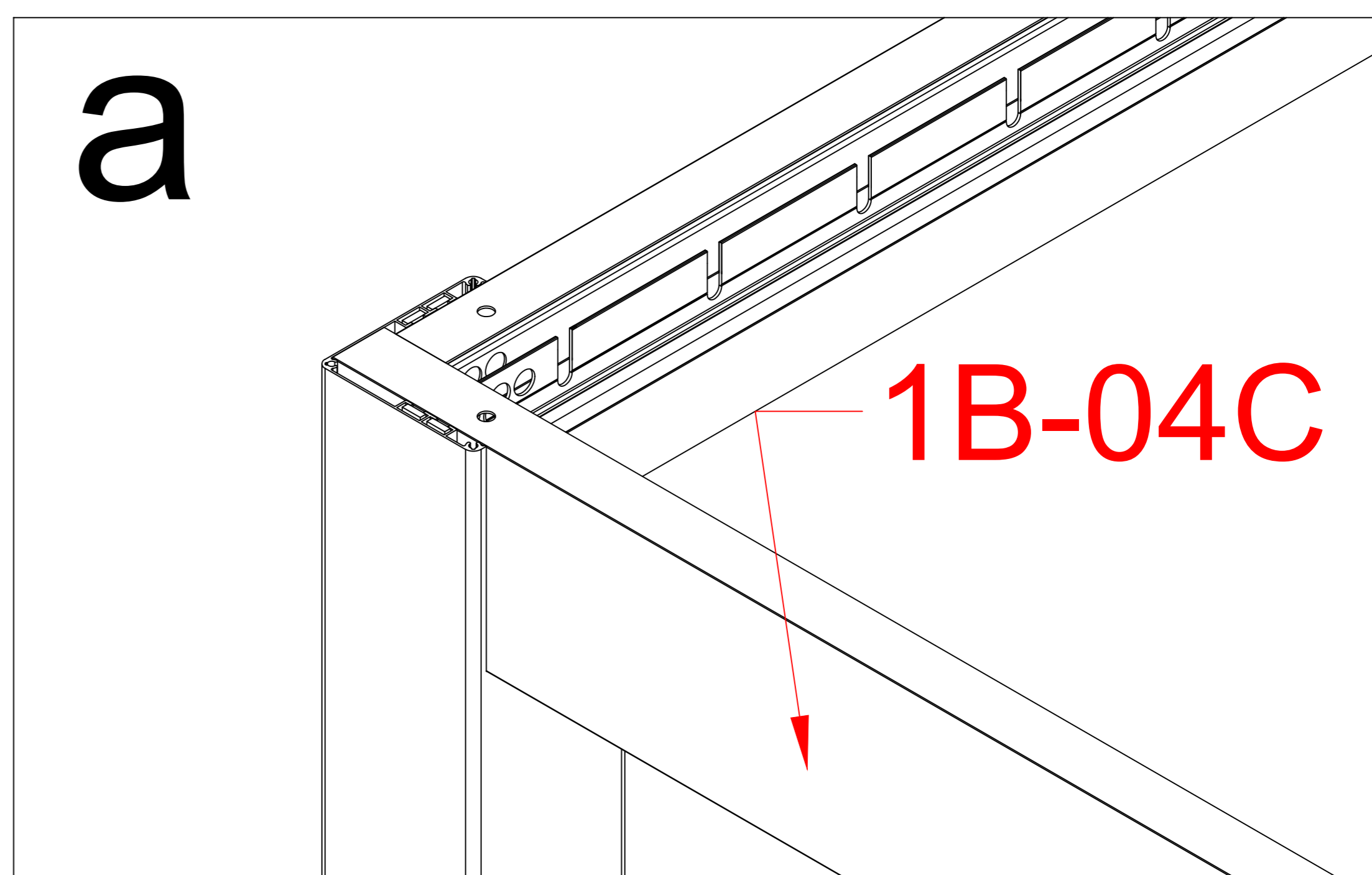
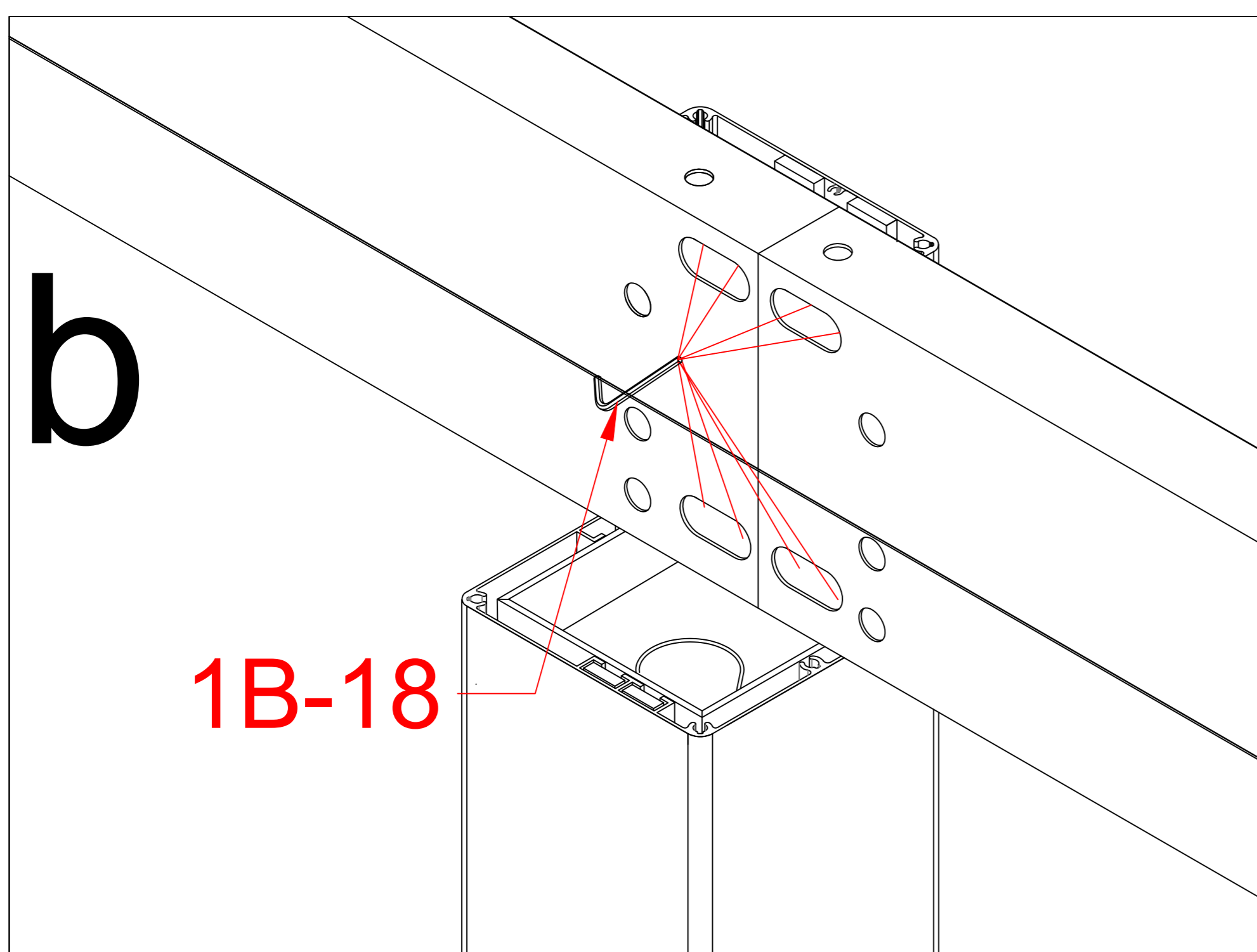
1B-18		1
1B-04c		1

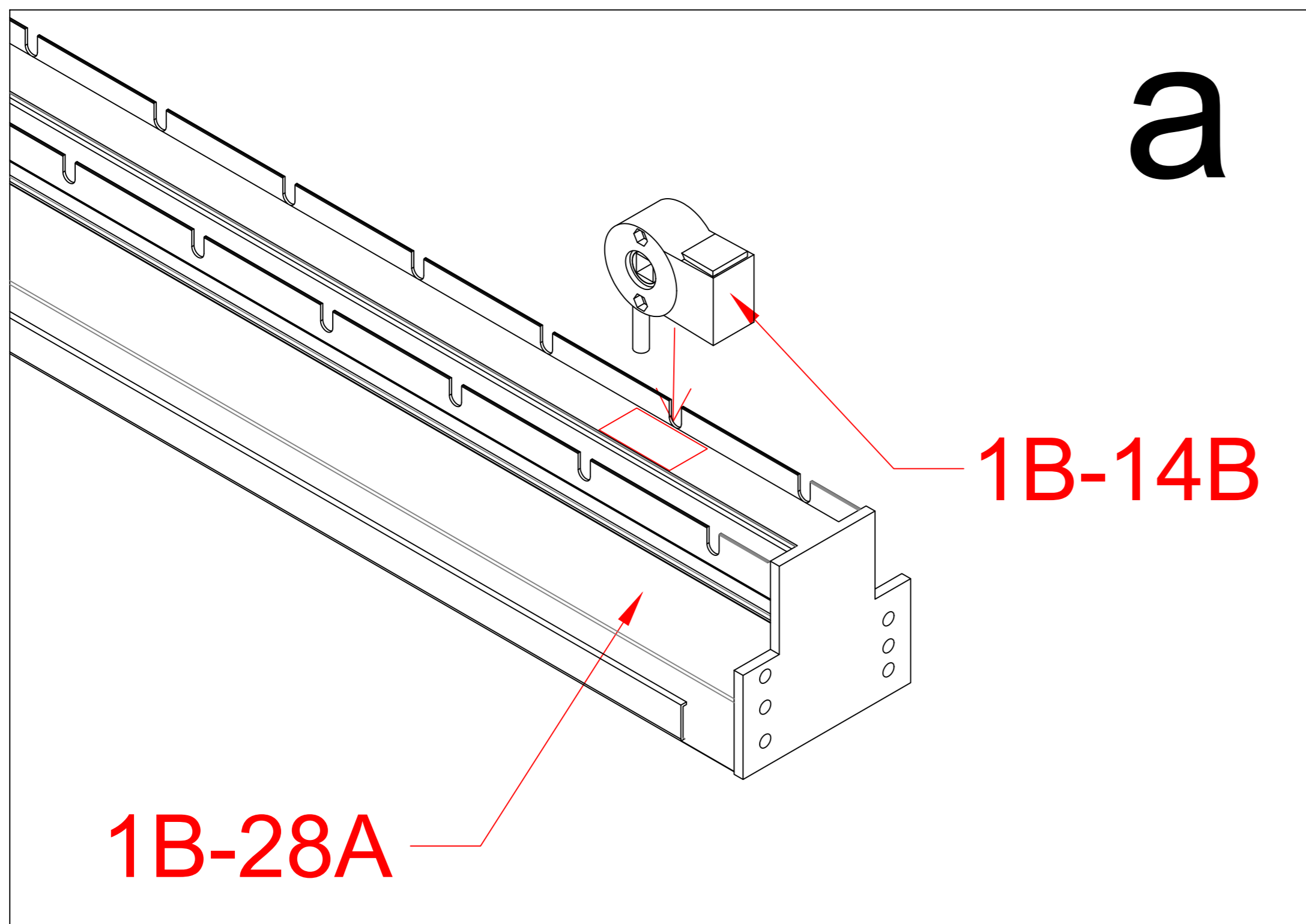




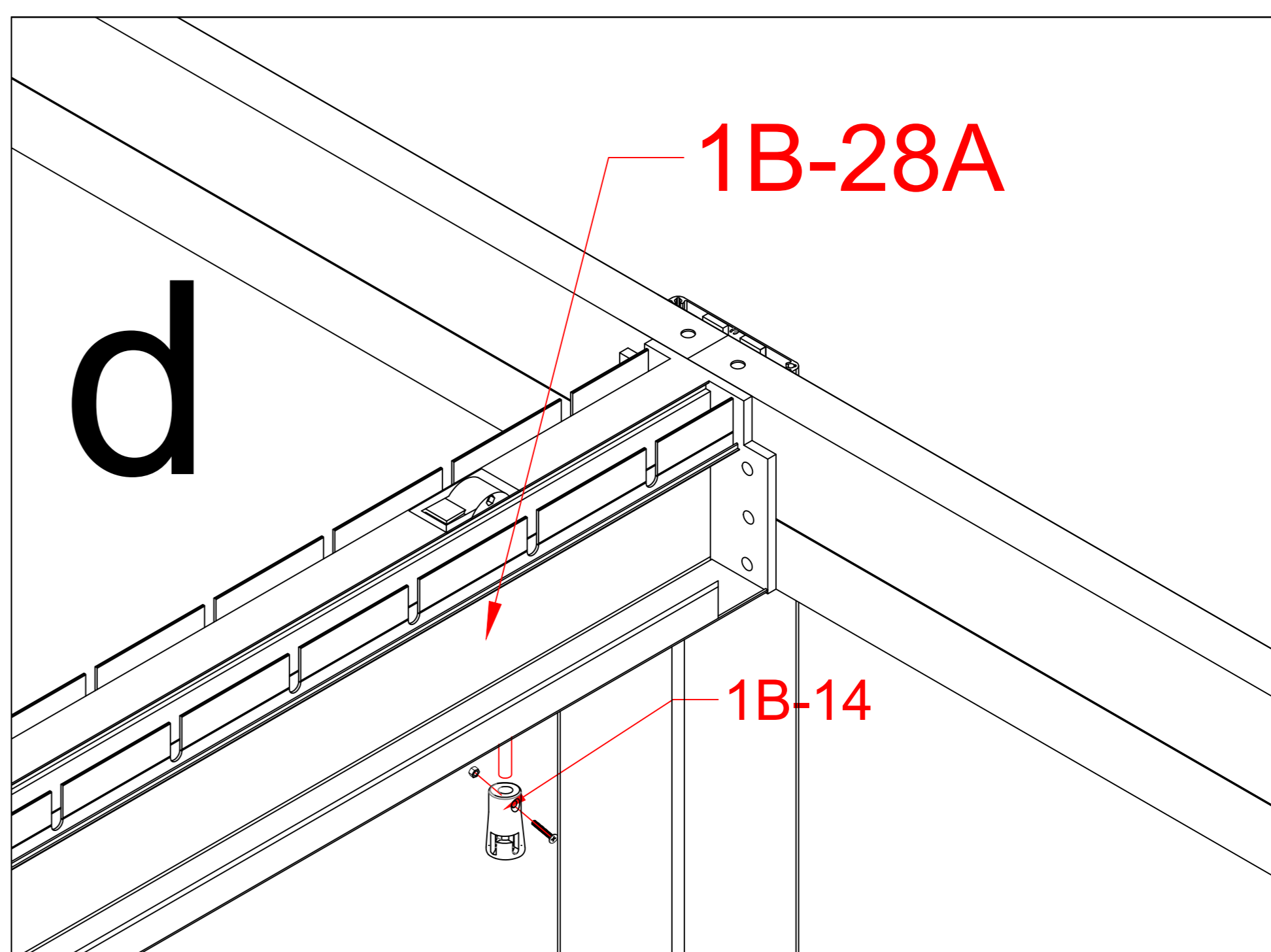
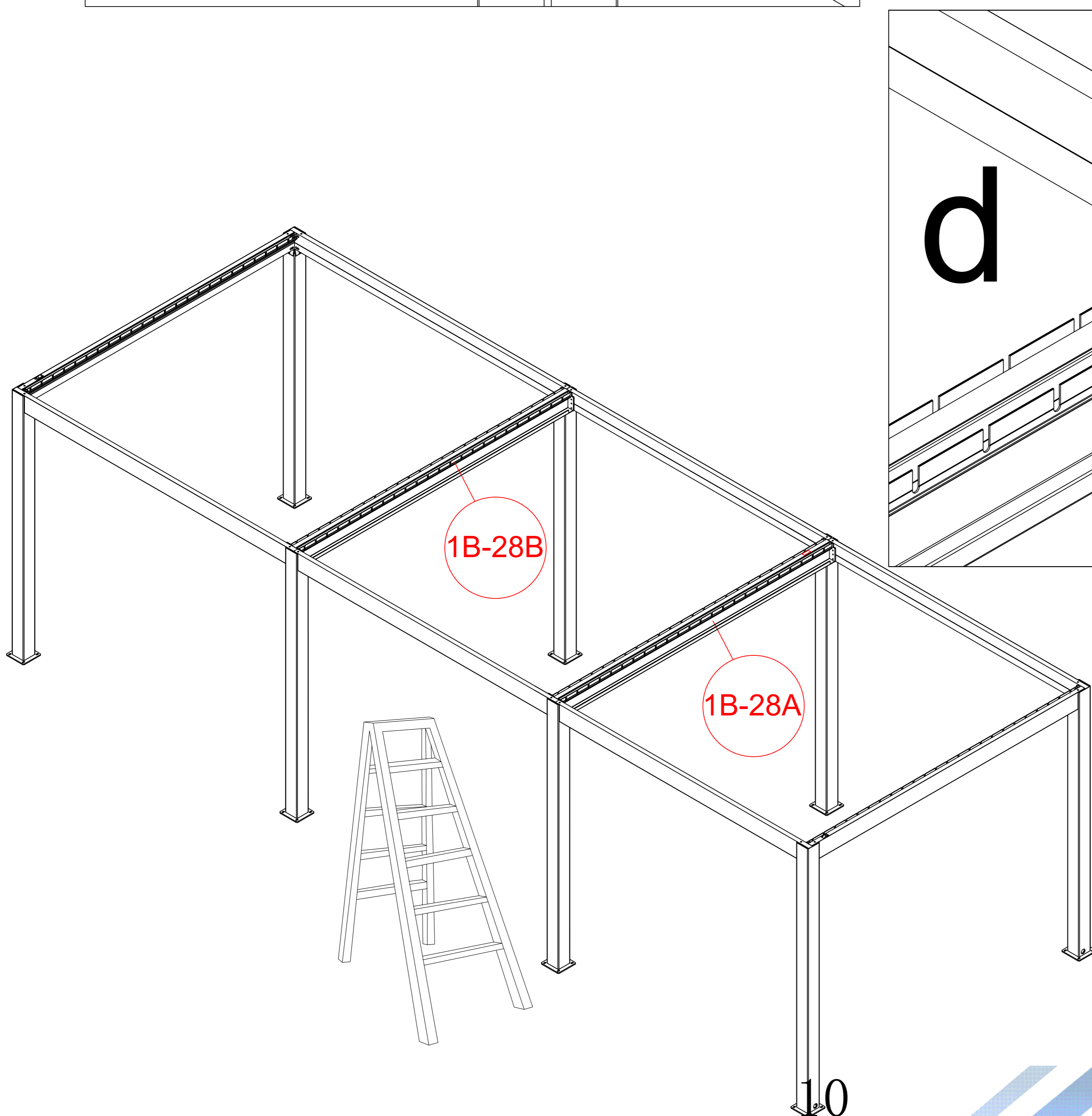
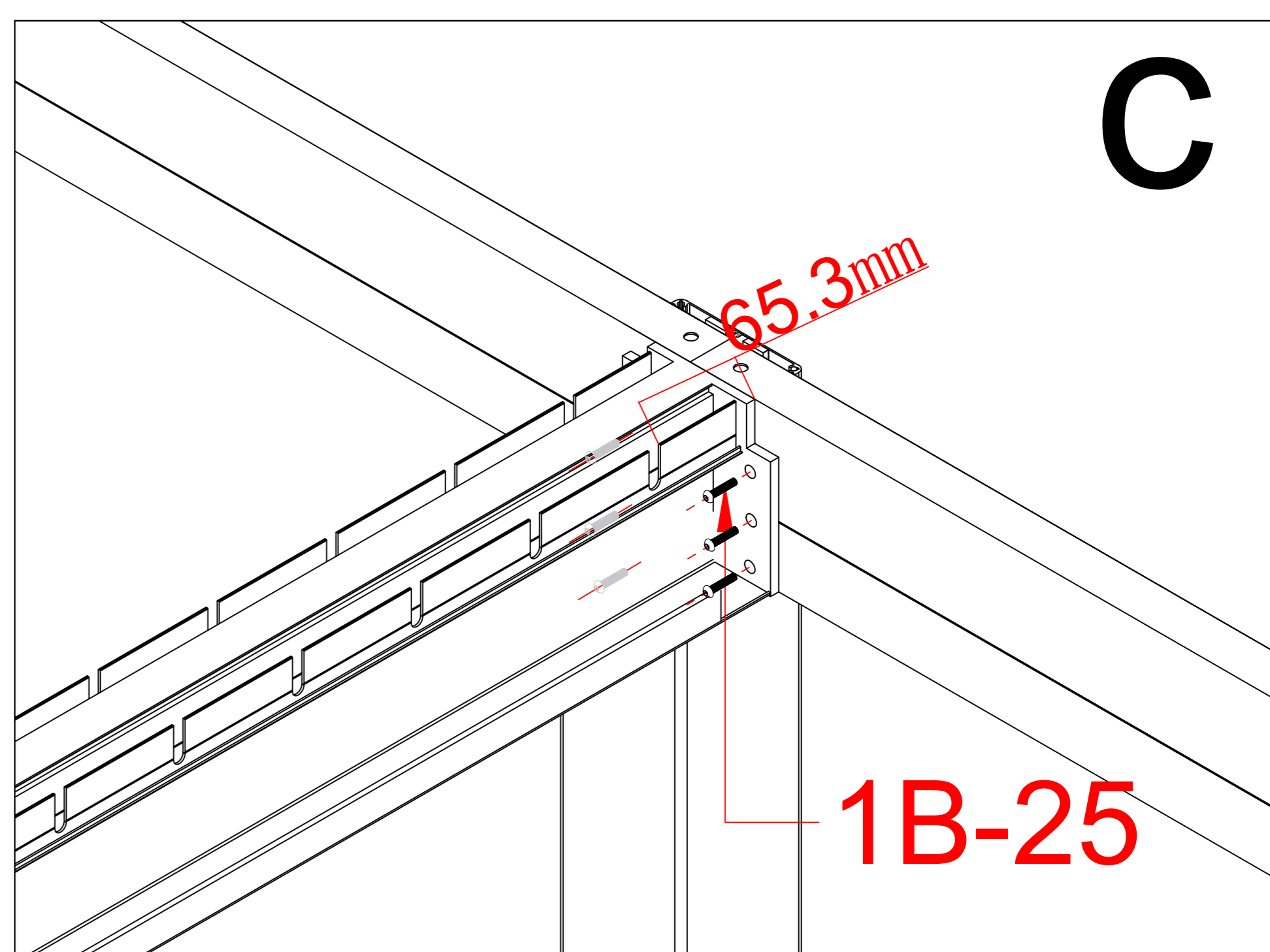
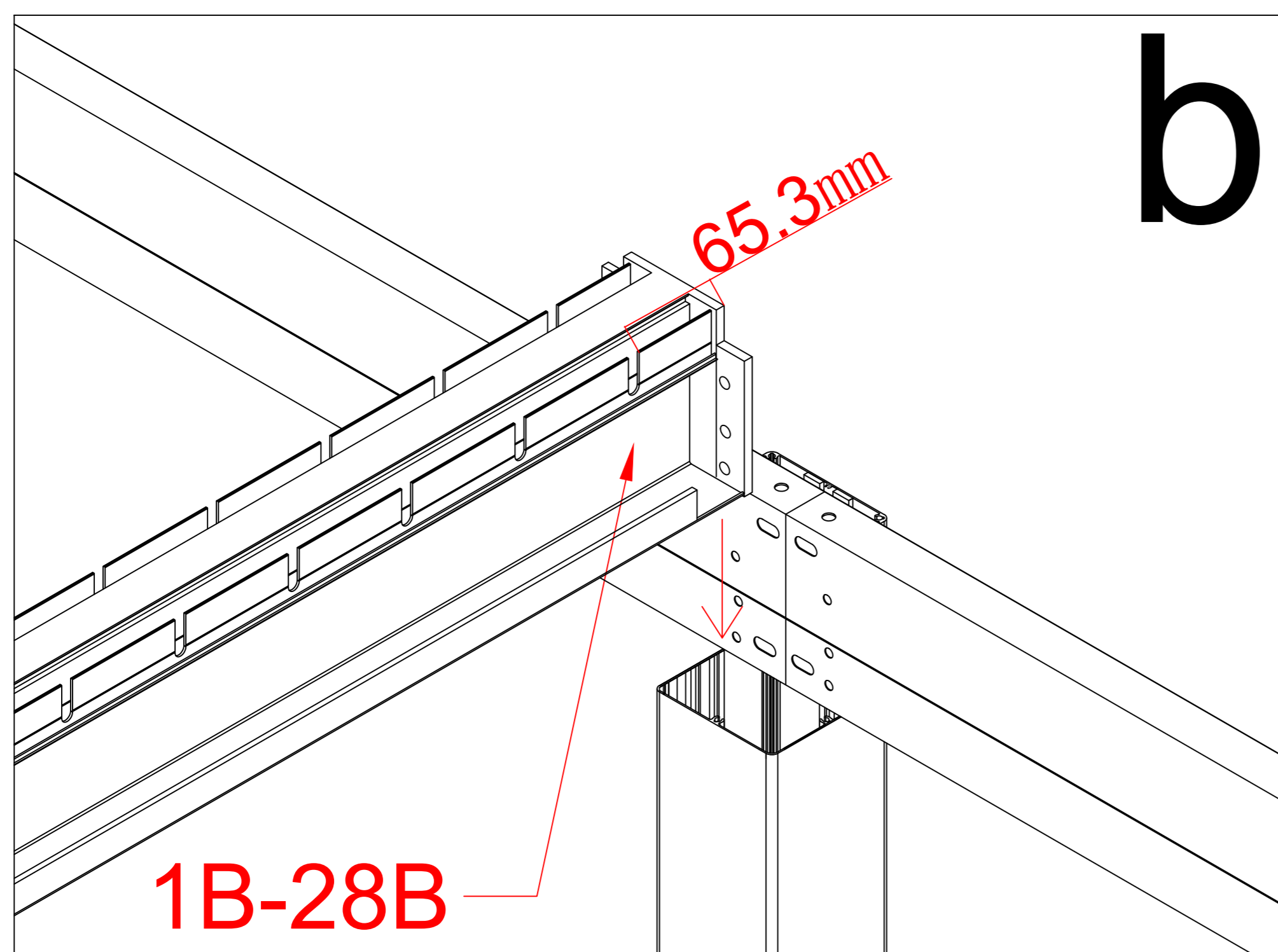
1B-18		1
1B-04A		1
1B-04B		1
1B-04C		1



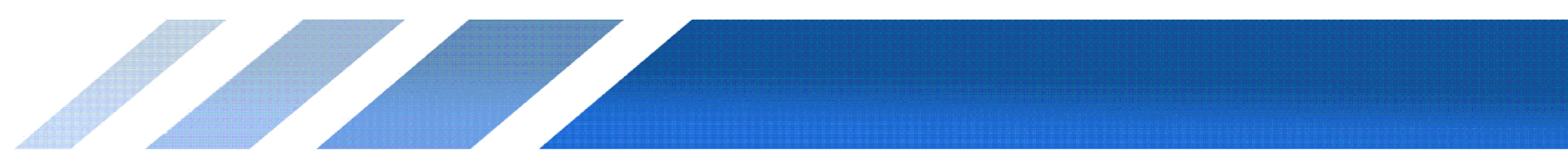




Warning:
The distance here should be the same as the distance between the main frames on both sides



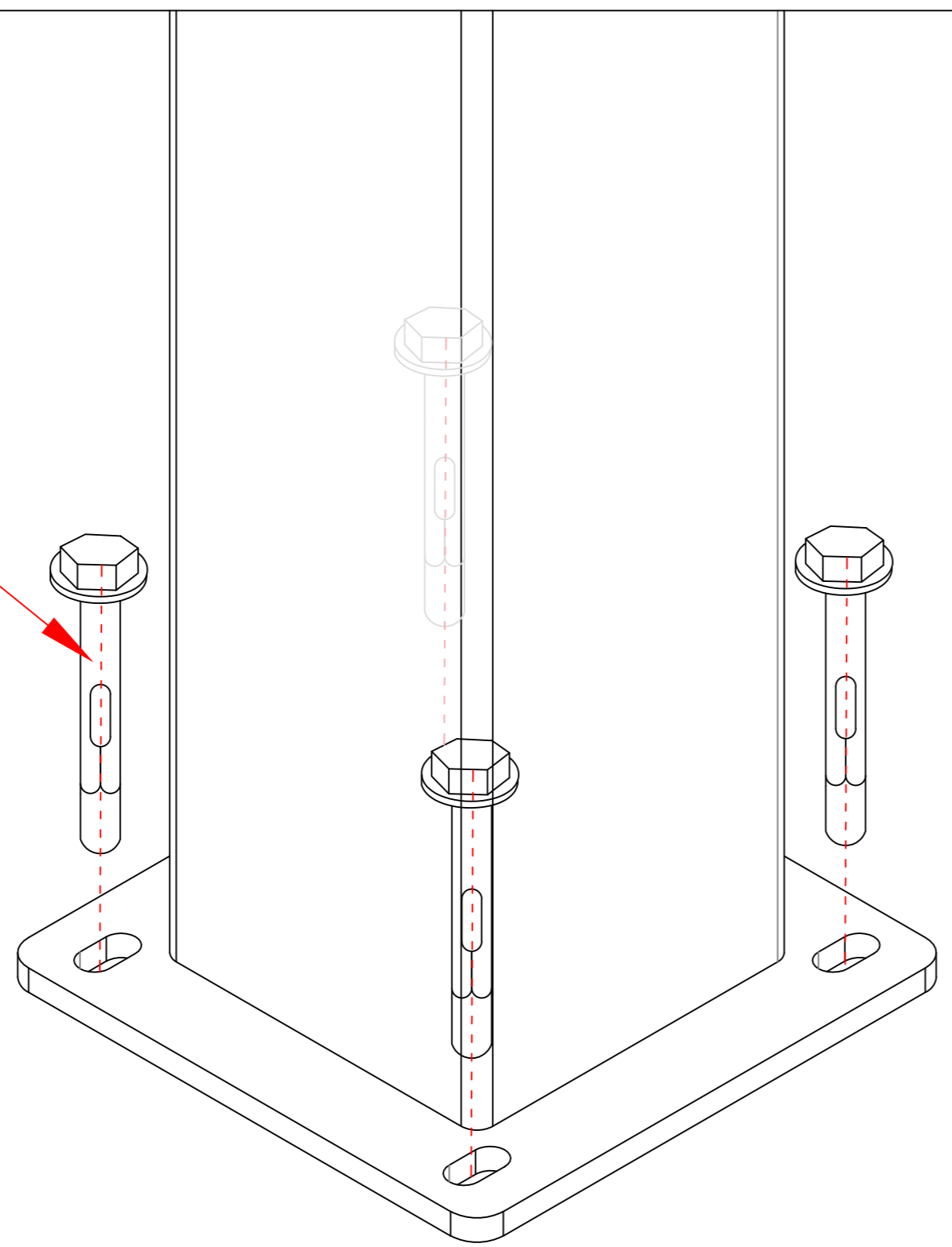
1B-14		1
1B-28A		1
1B-28B		1
1B-25		24





a

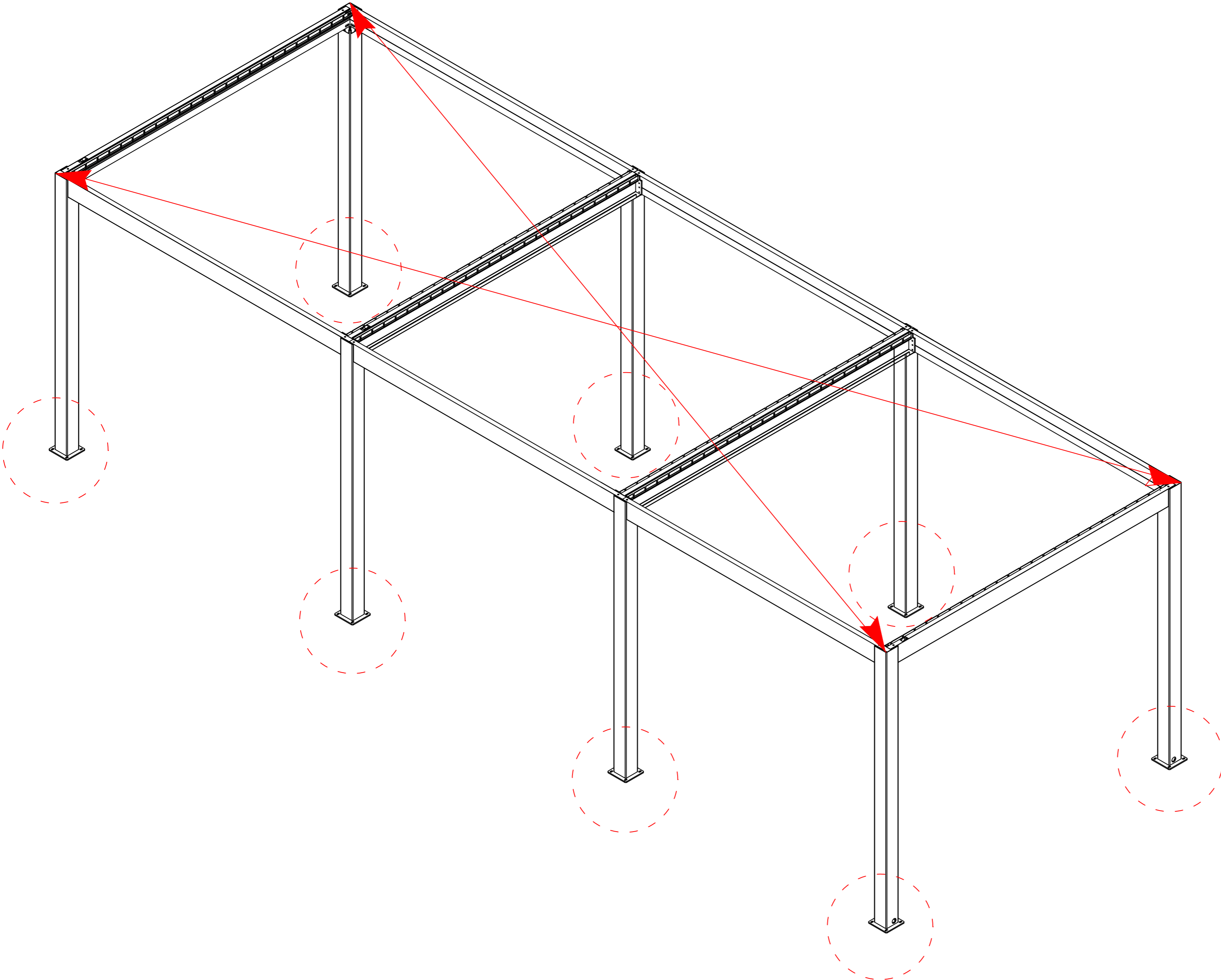
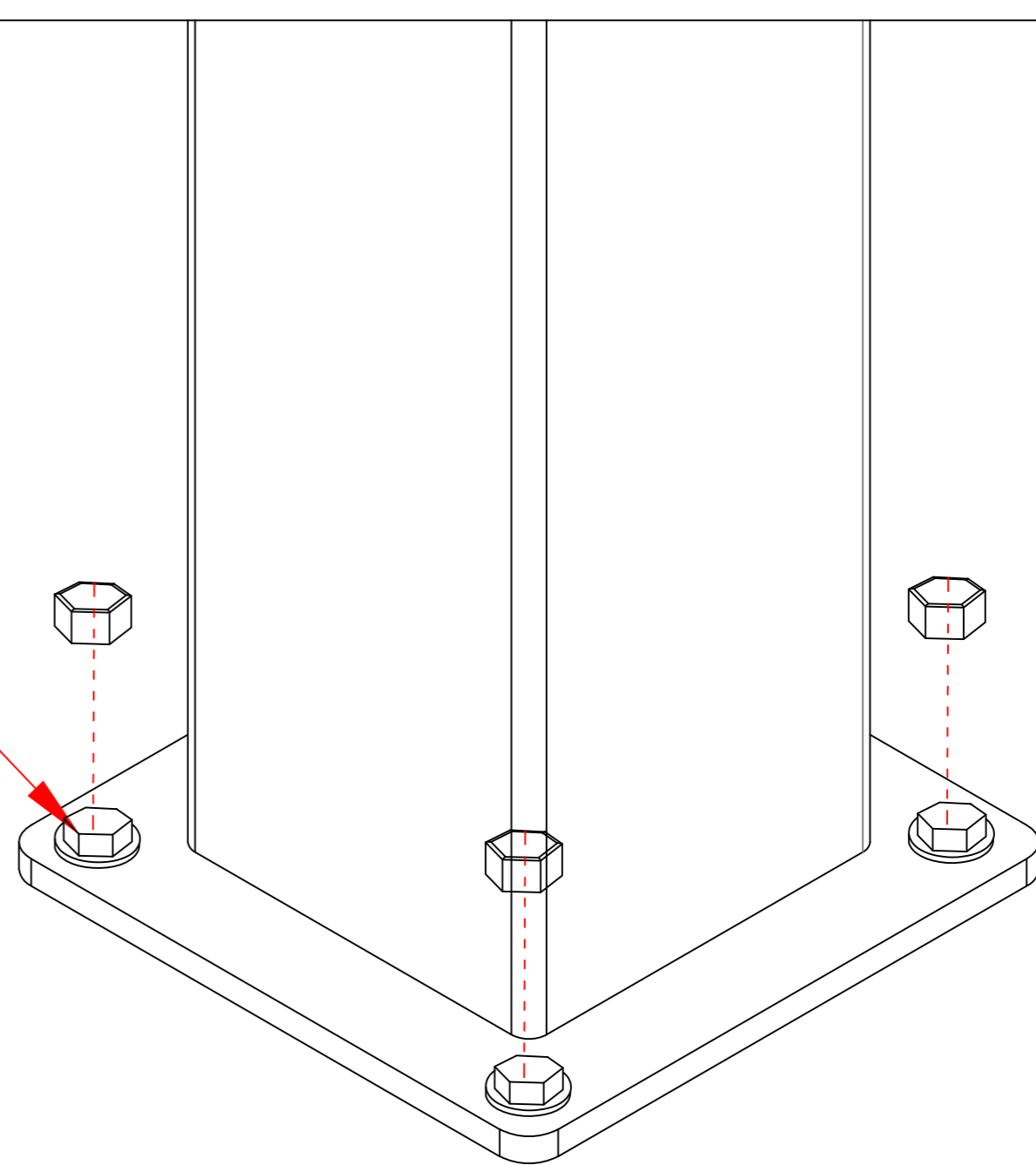
1B-21



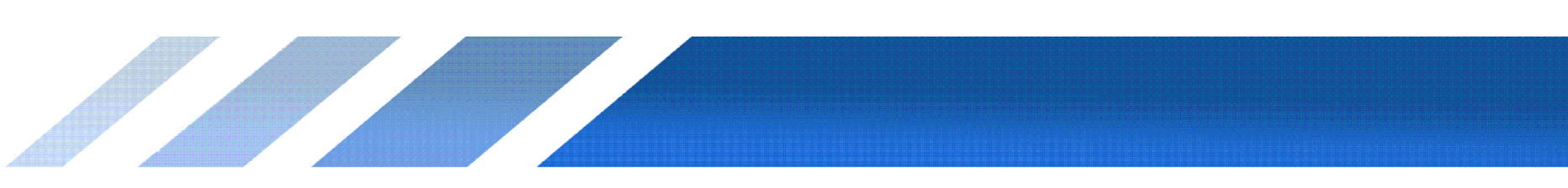
Pls measure the diagonal size and make sure the diagonal size keeps same before screw 1B-21 mounted. If not, pls adjust it to same size.

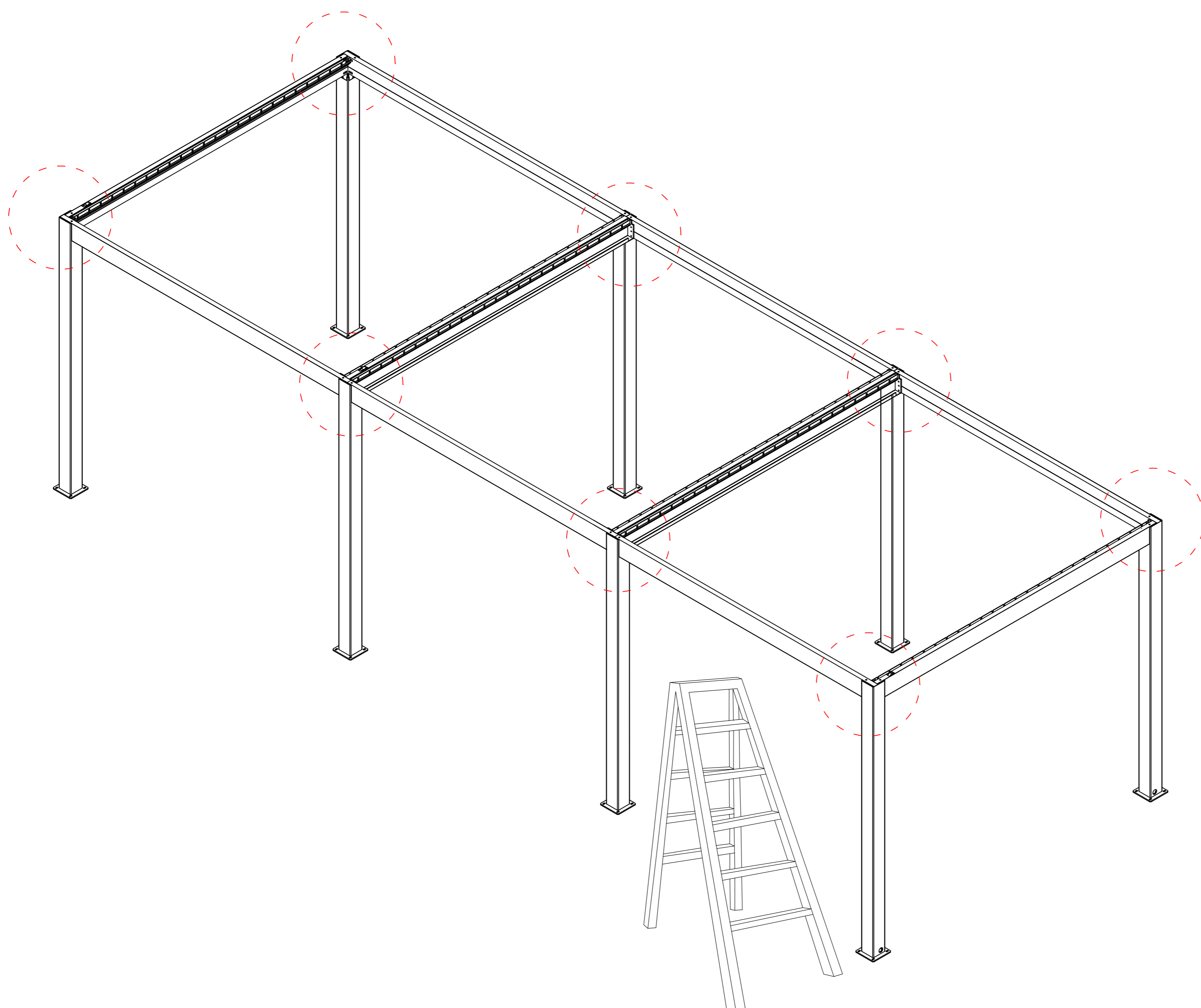
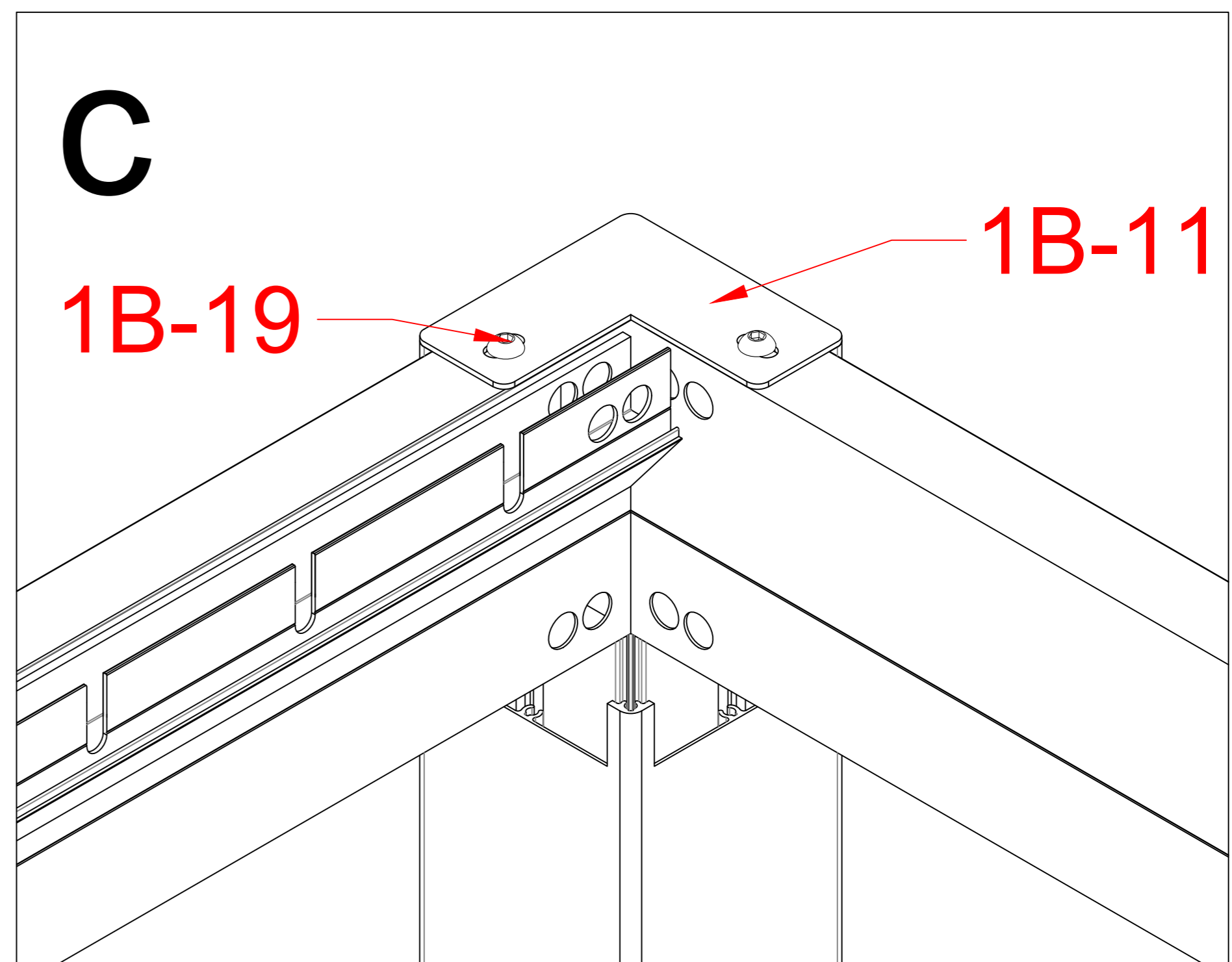
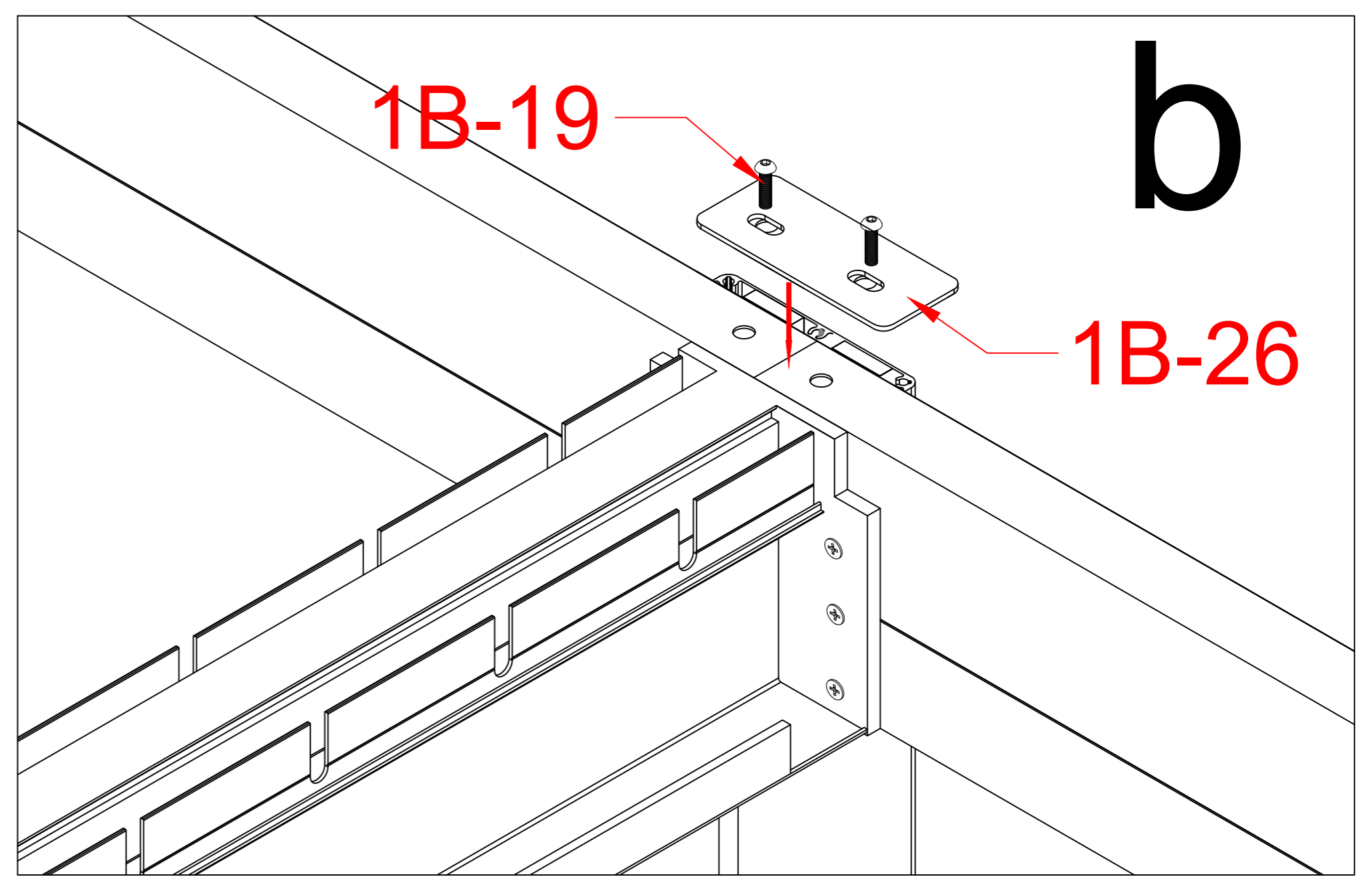
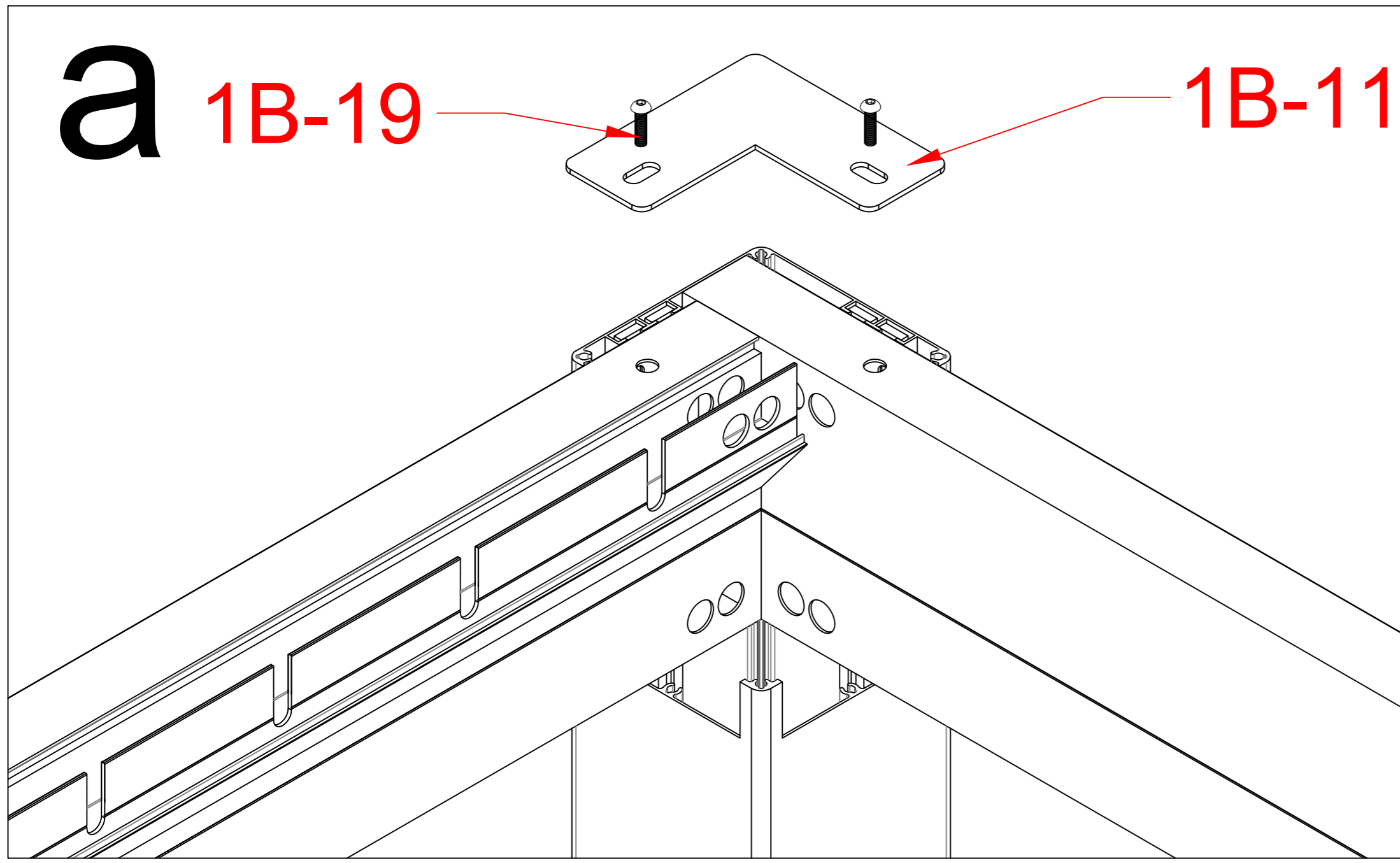
b

1B-21

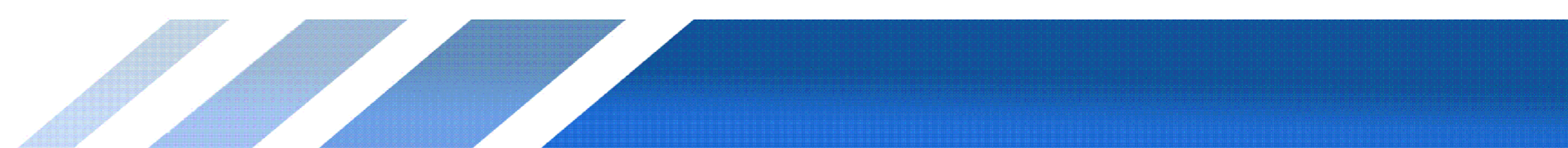


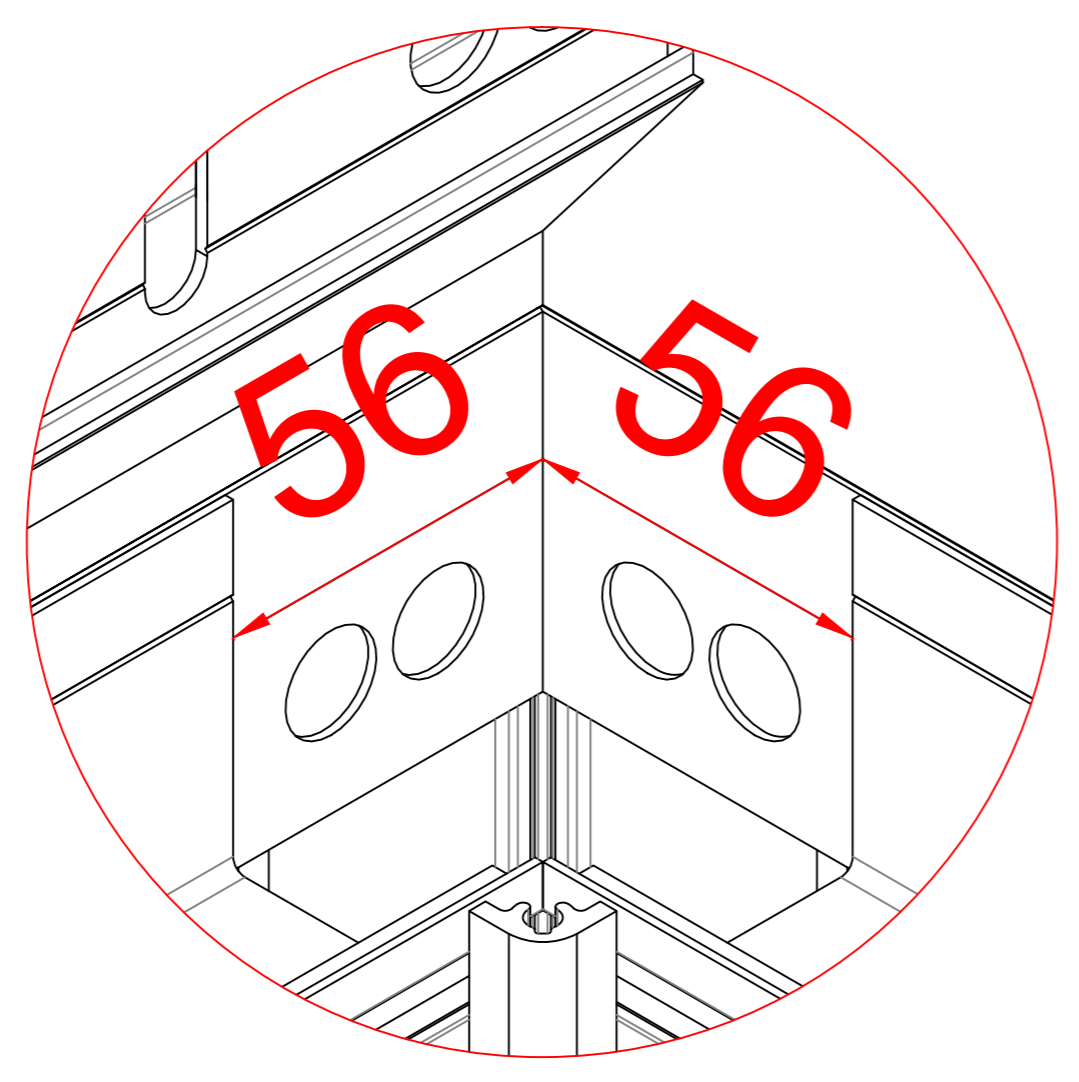
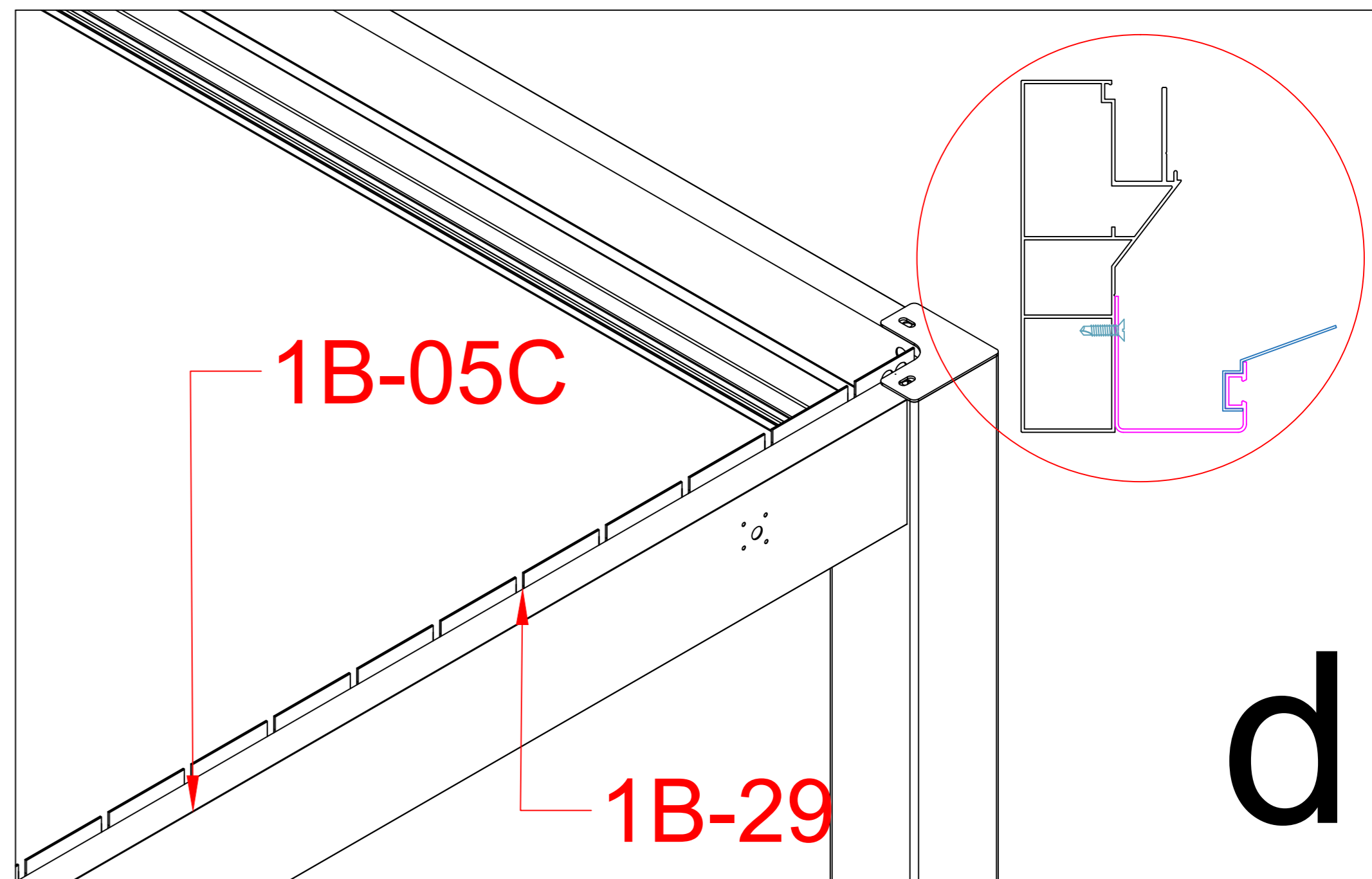
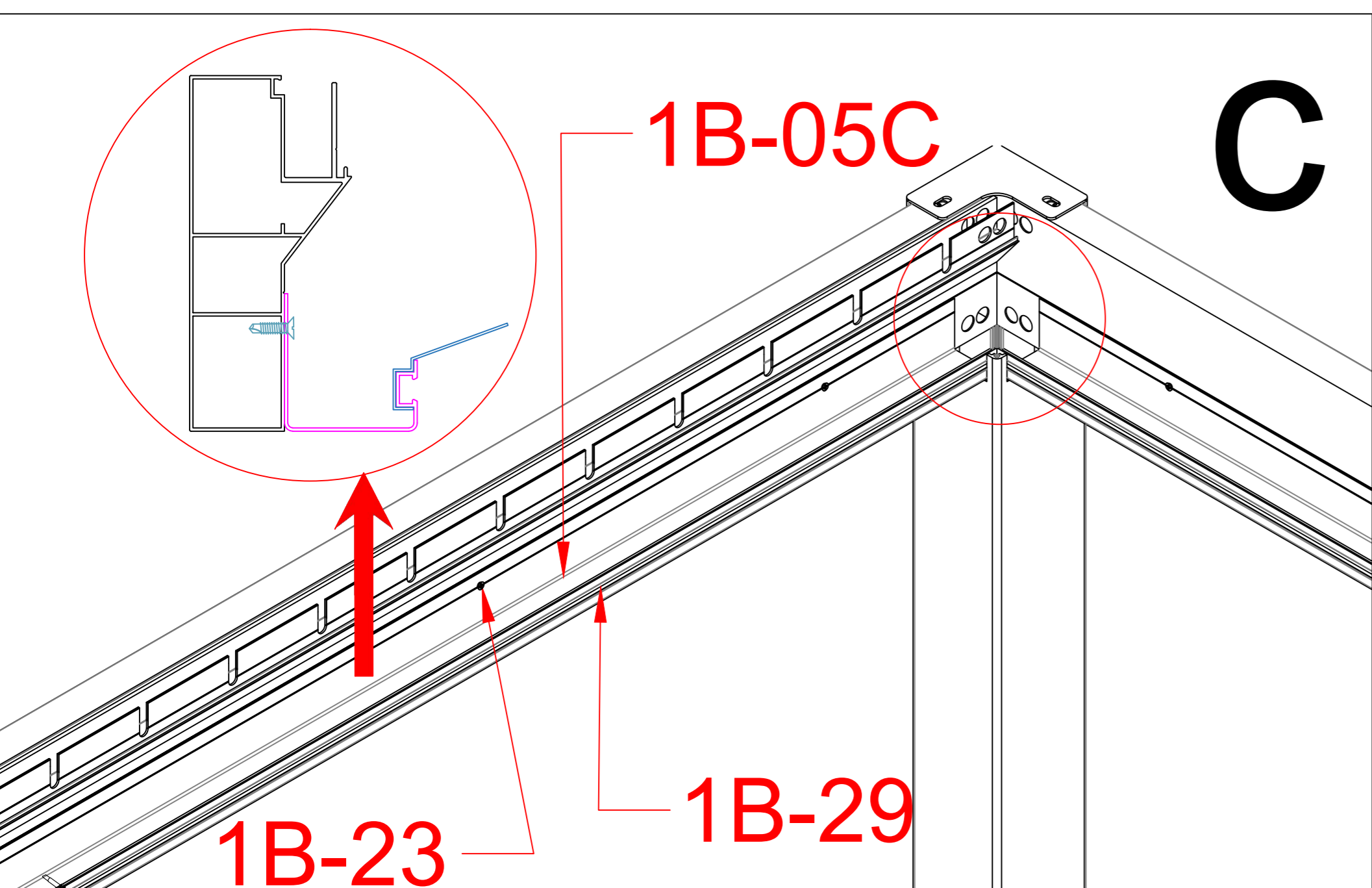
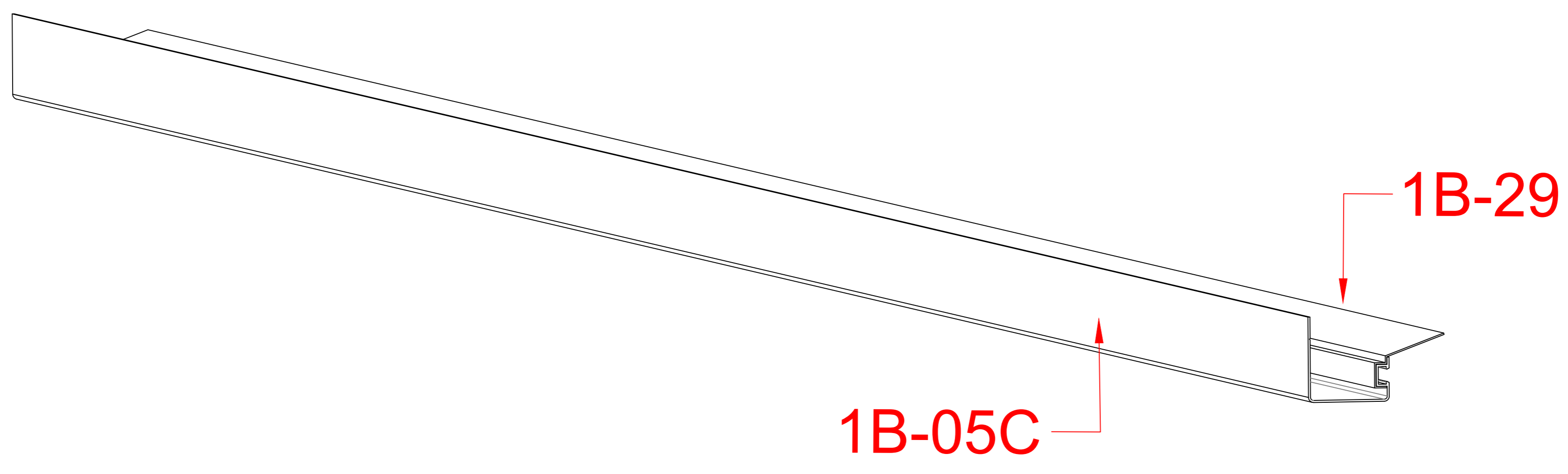
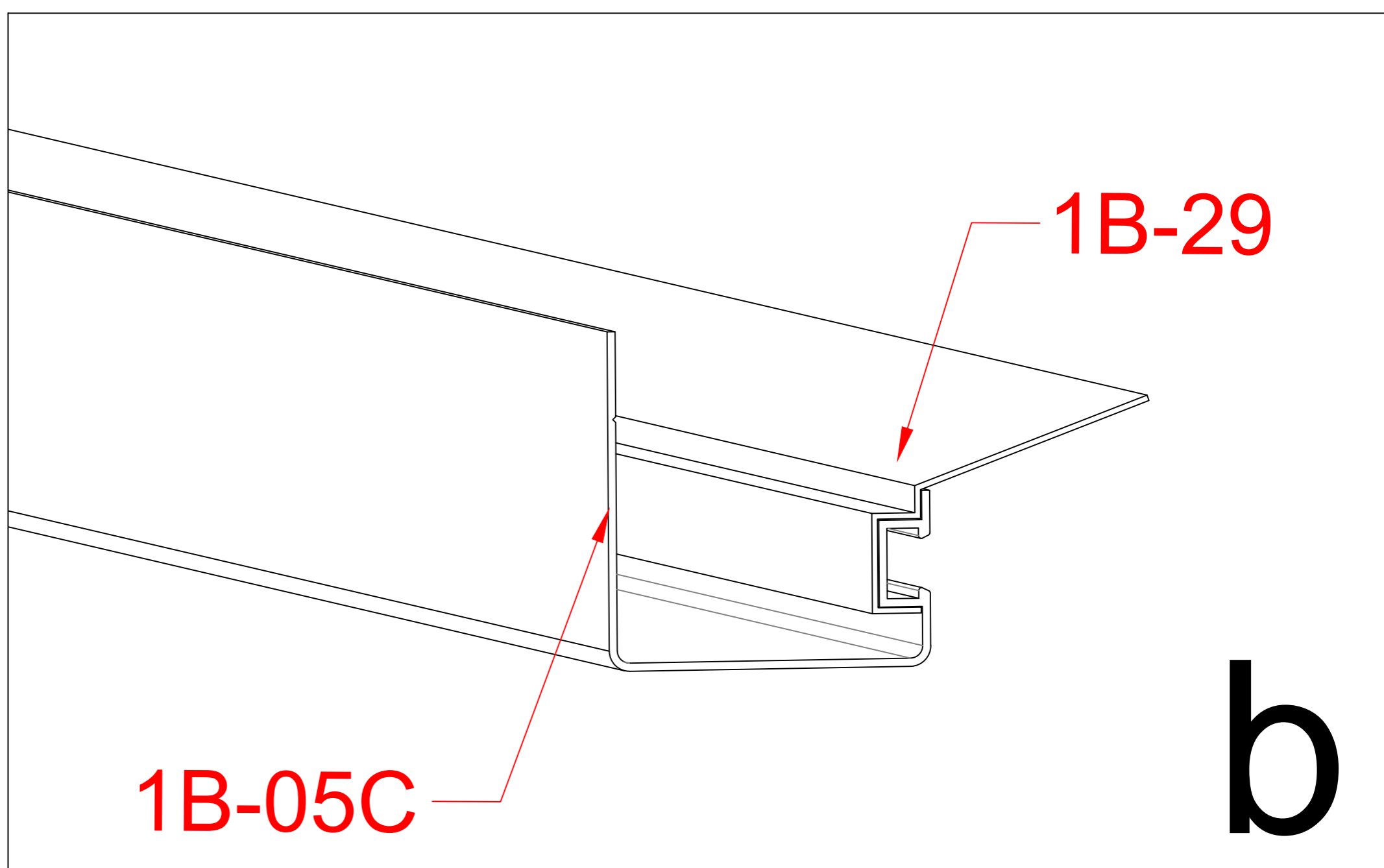
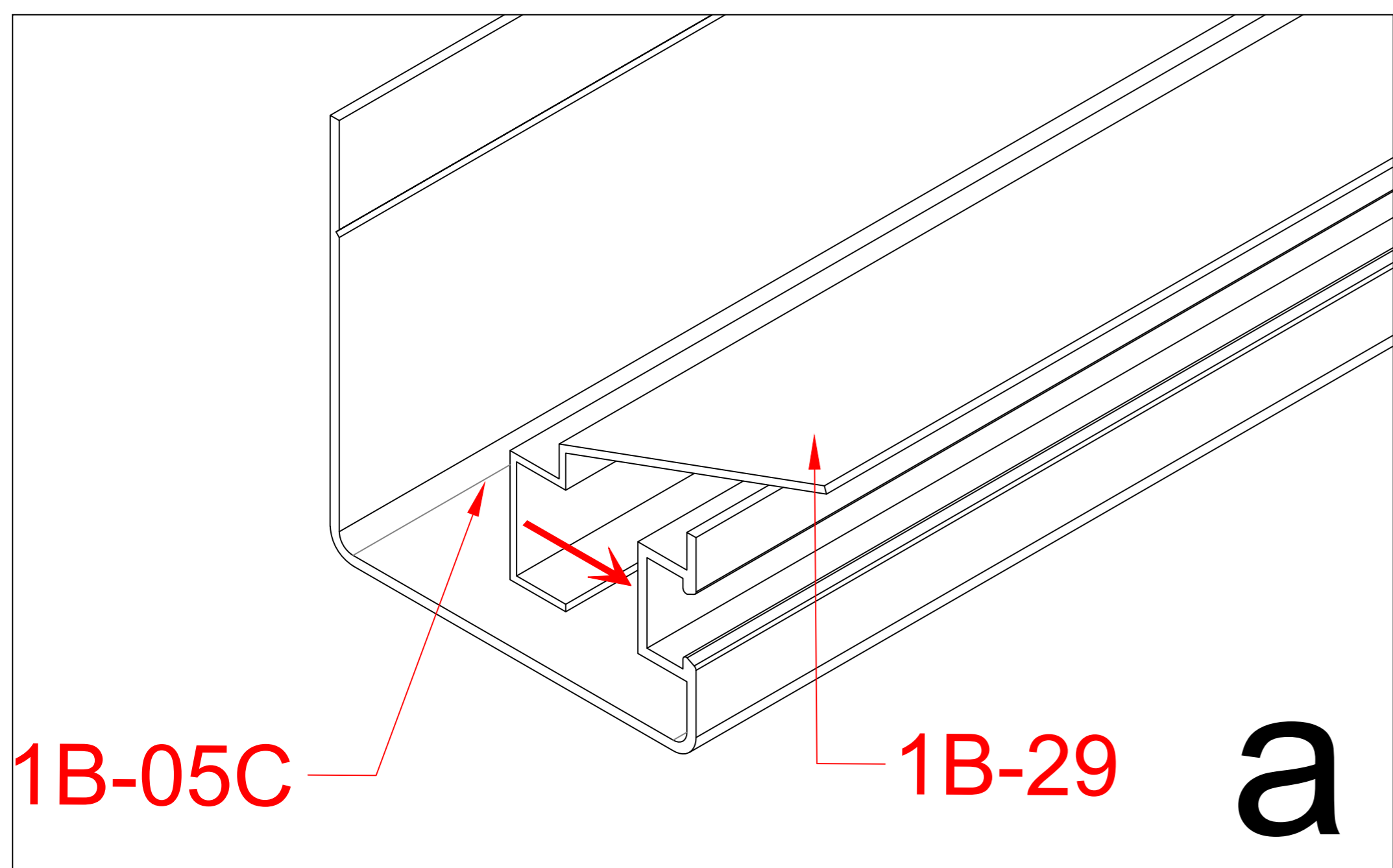
1B-21		32
-------	--	----

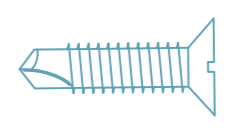
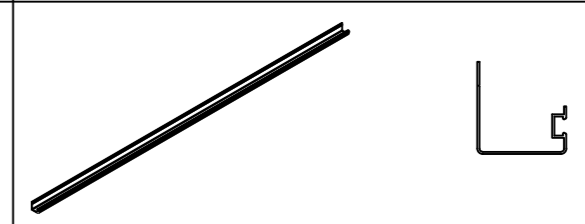
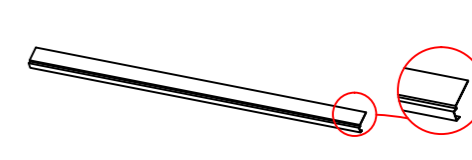


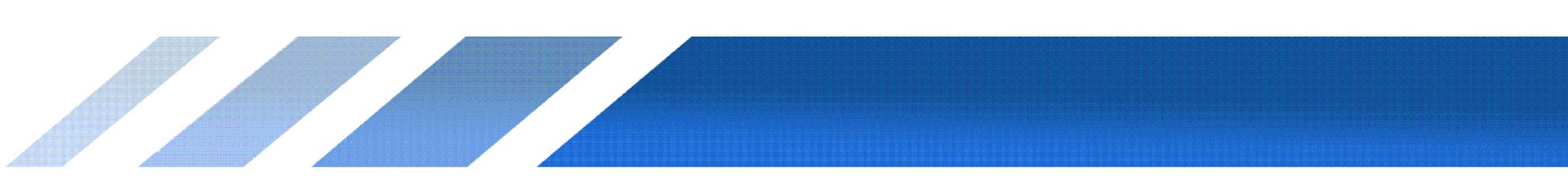


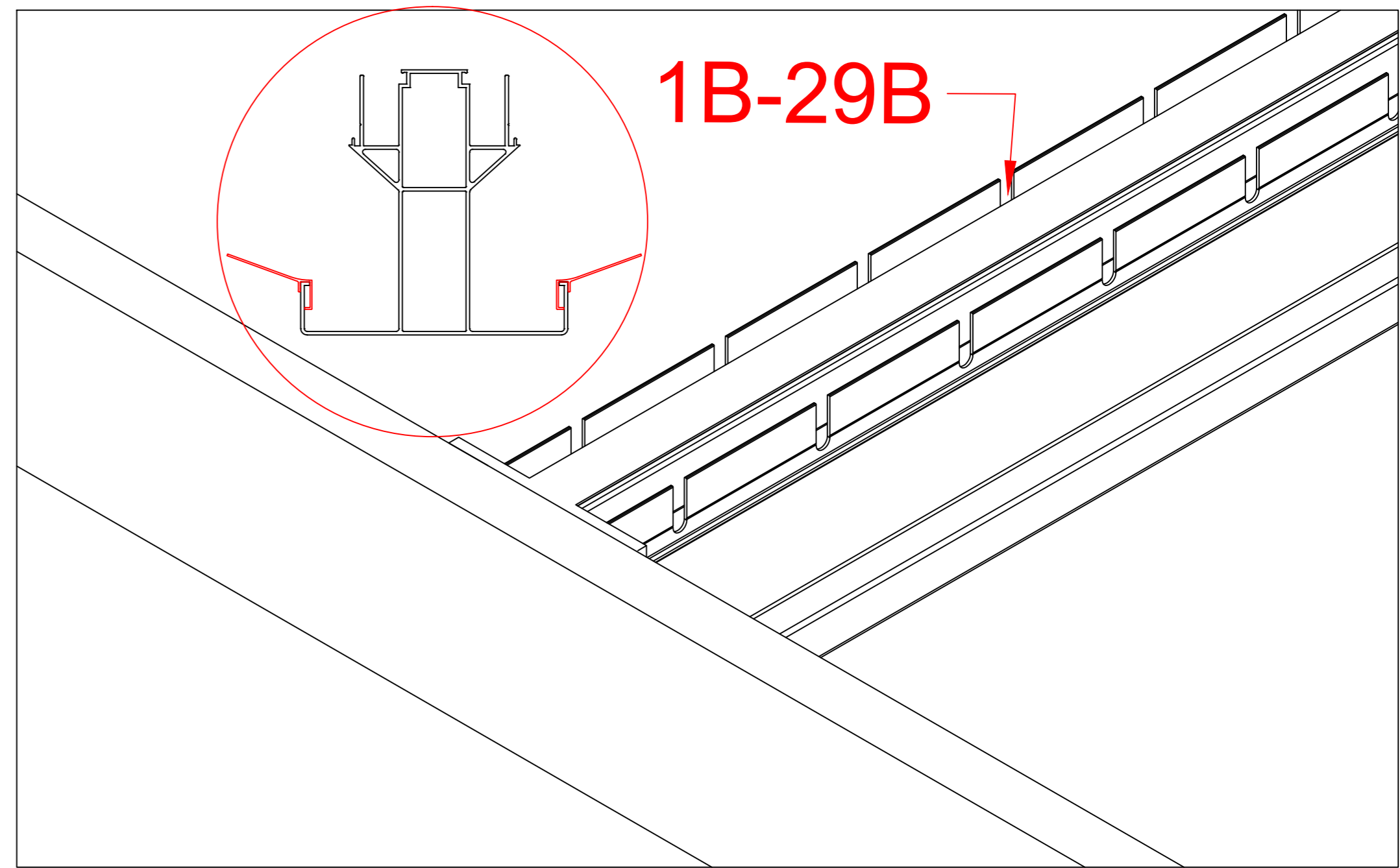
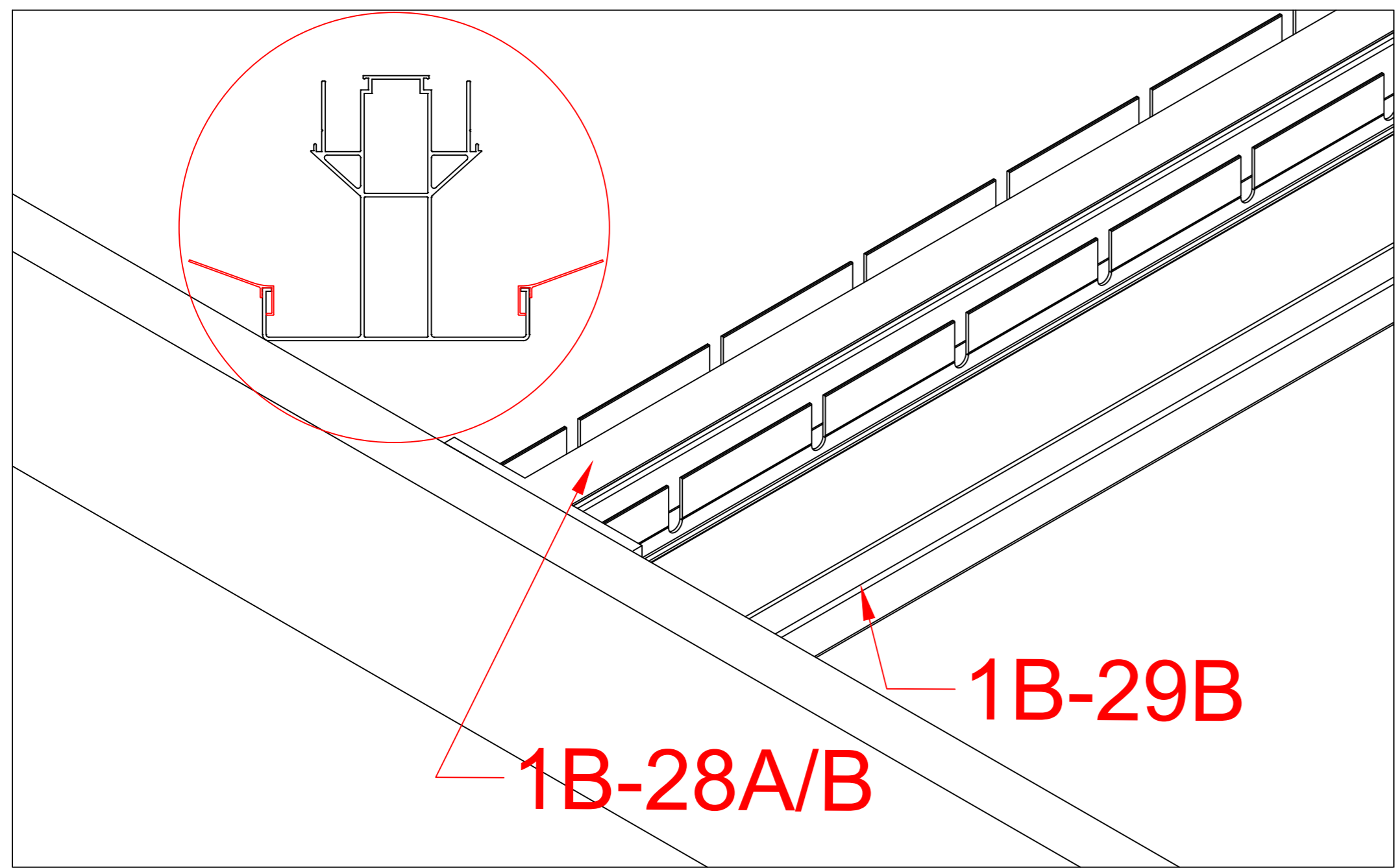
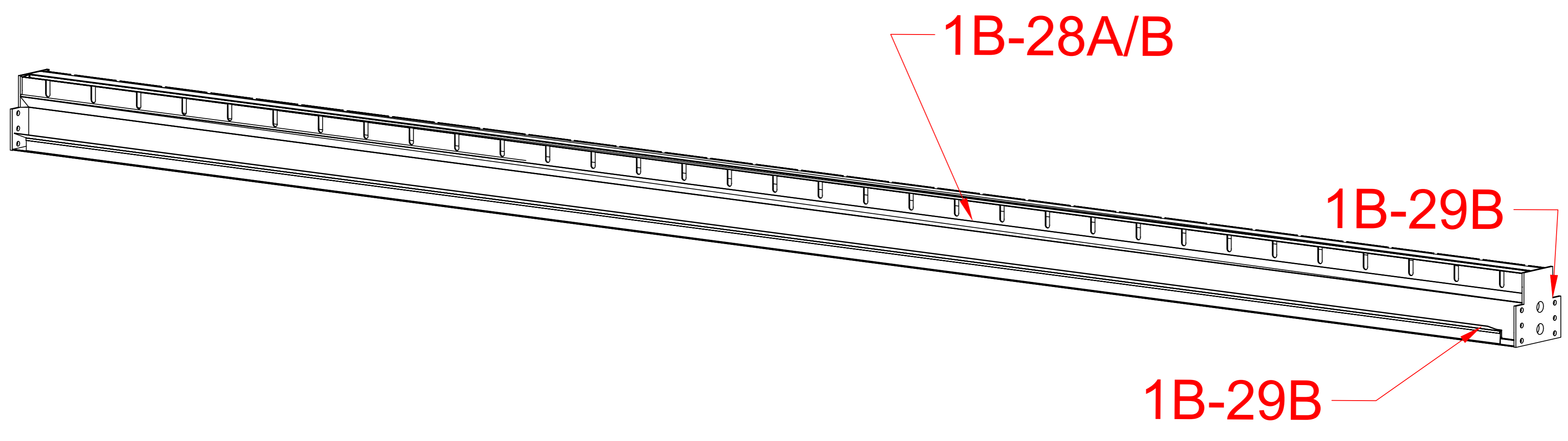
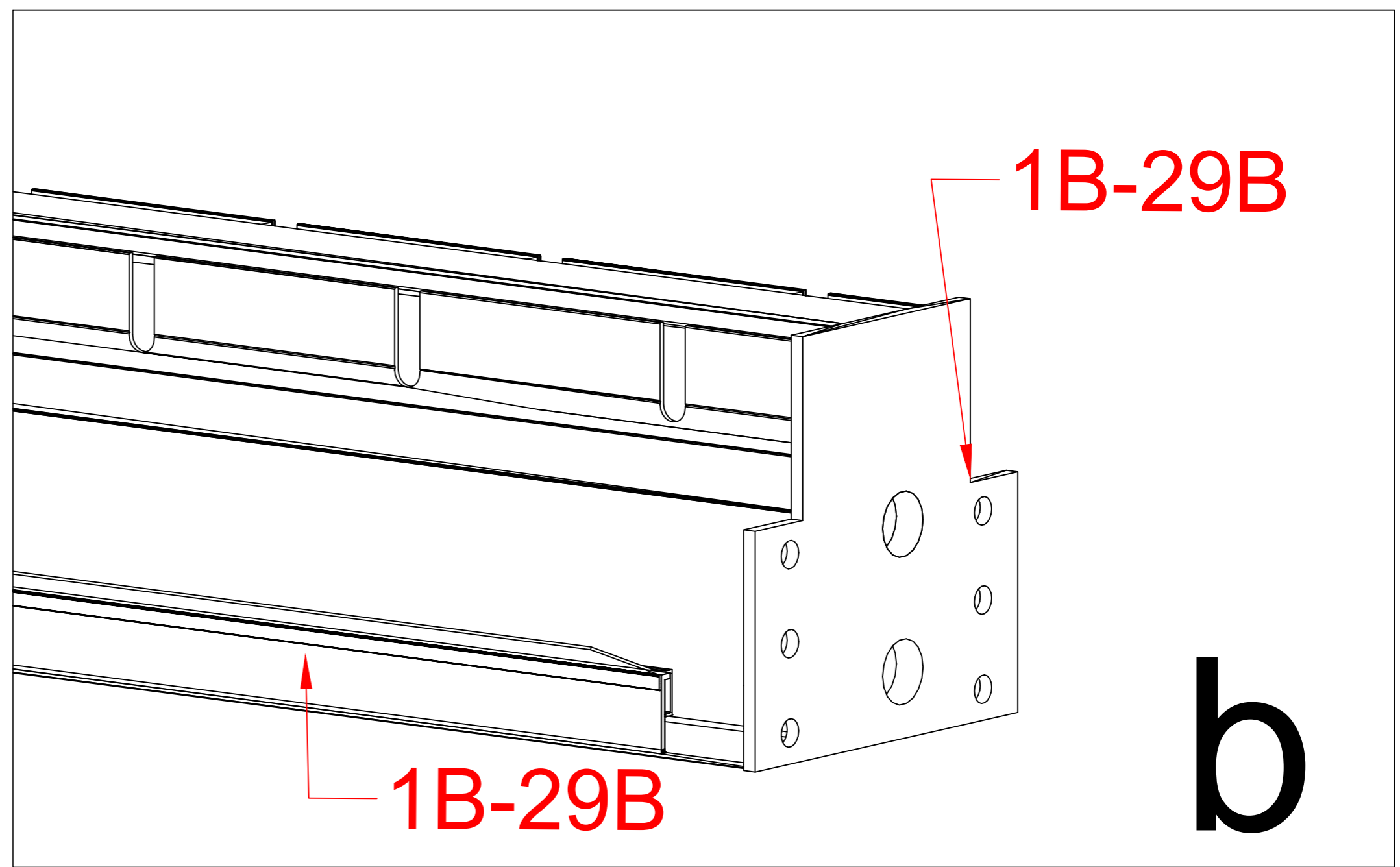
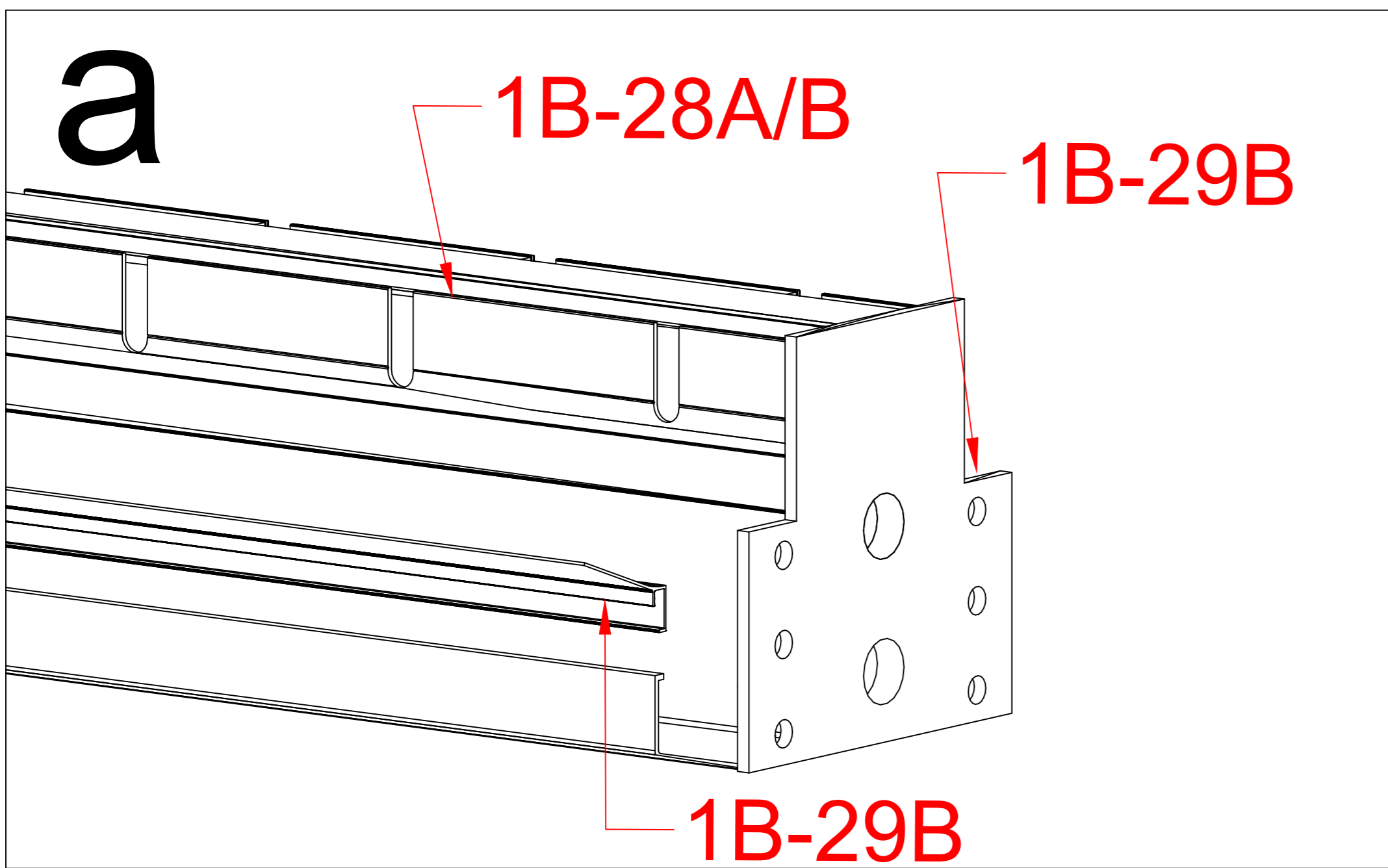
1B-26		4
1B-11		4
1B-19		16



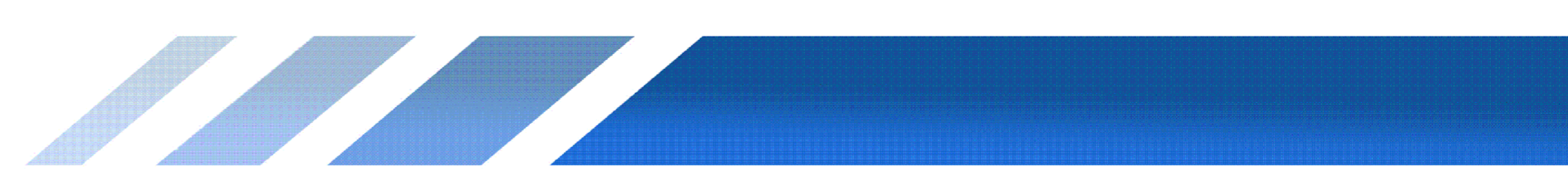


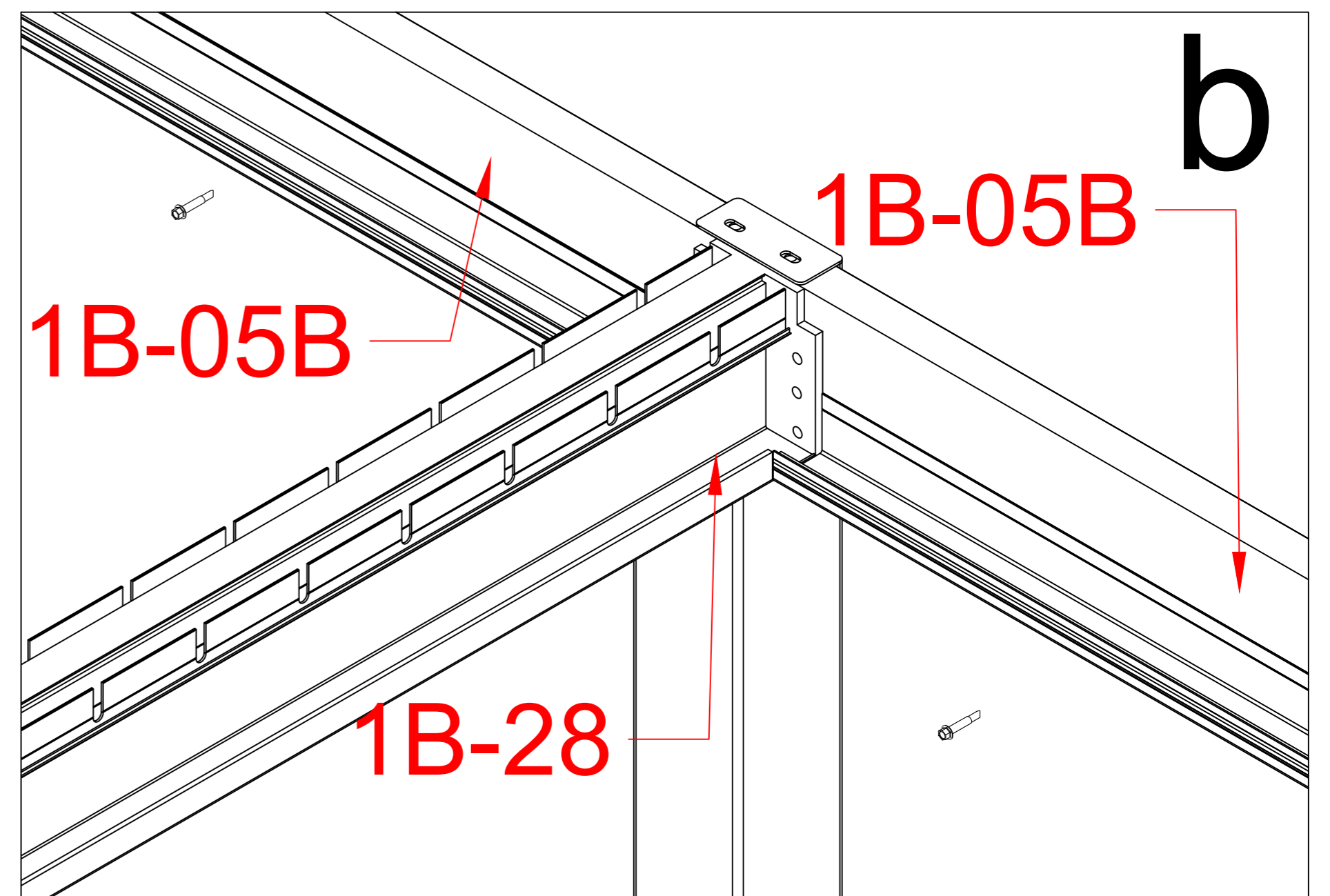
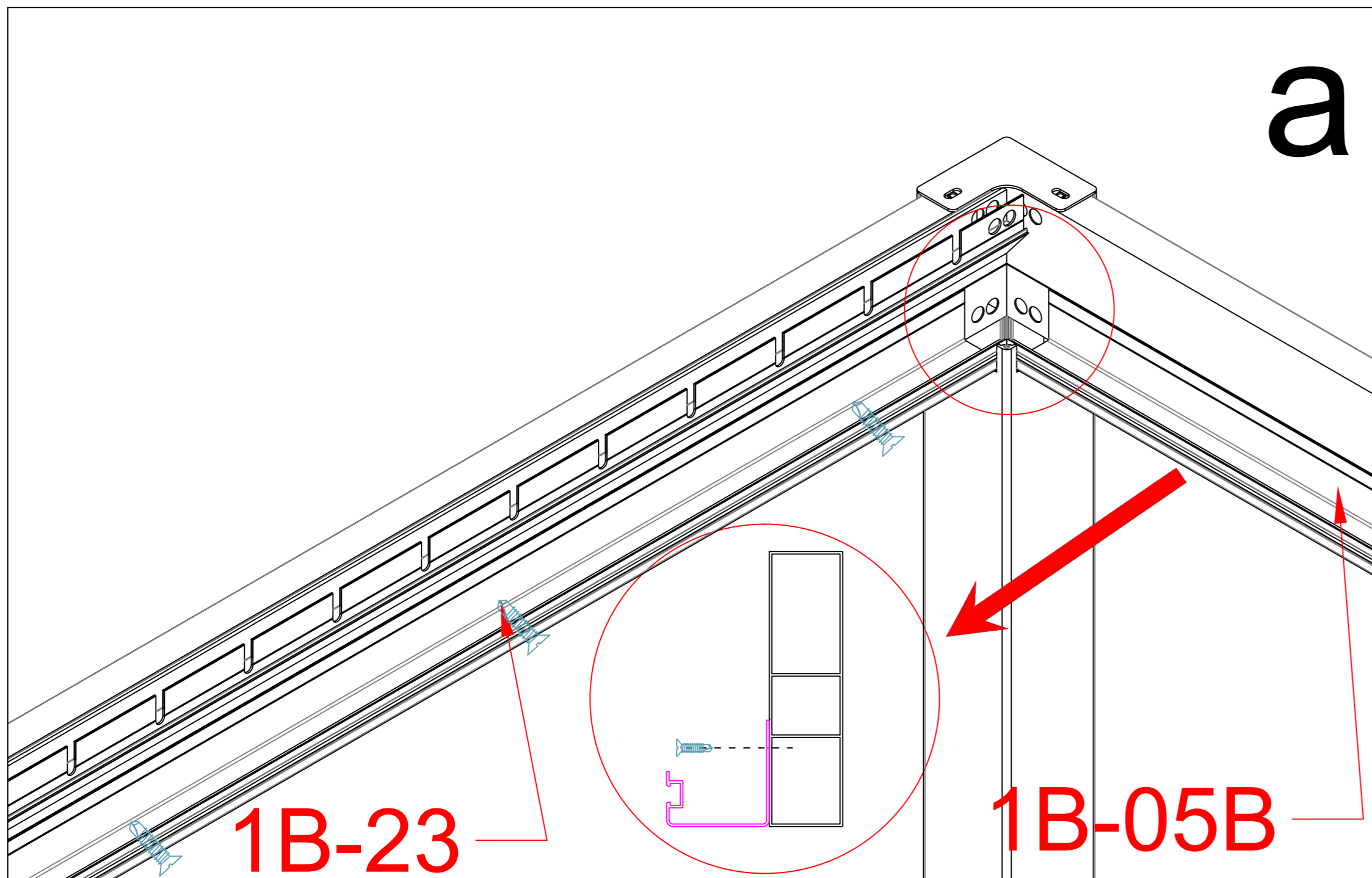
1B-23		10
1B-05C		2
1B-29		2



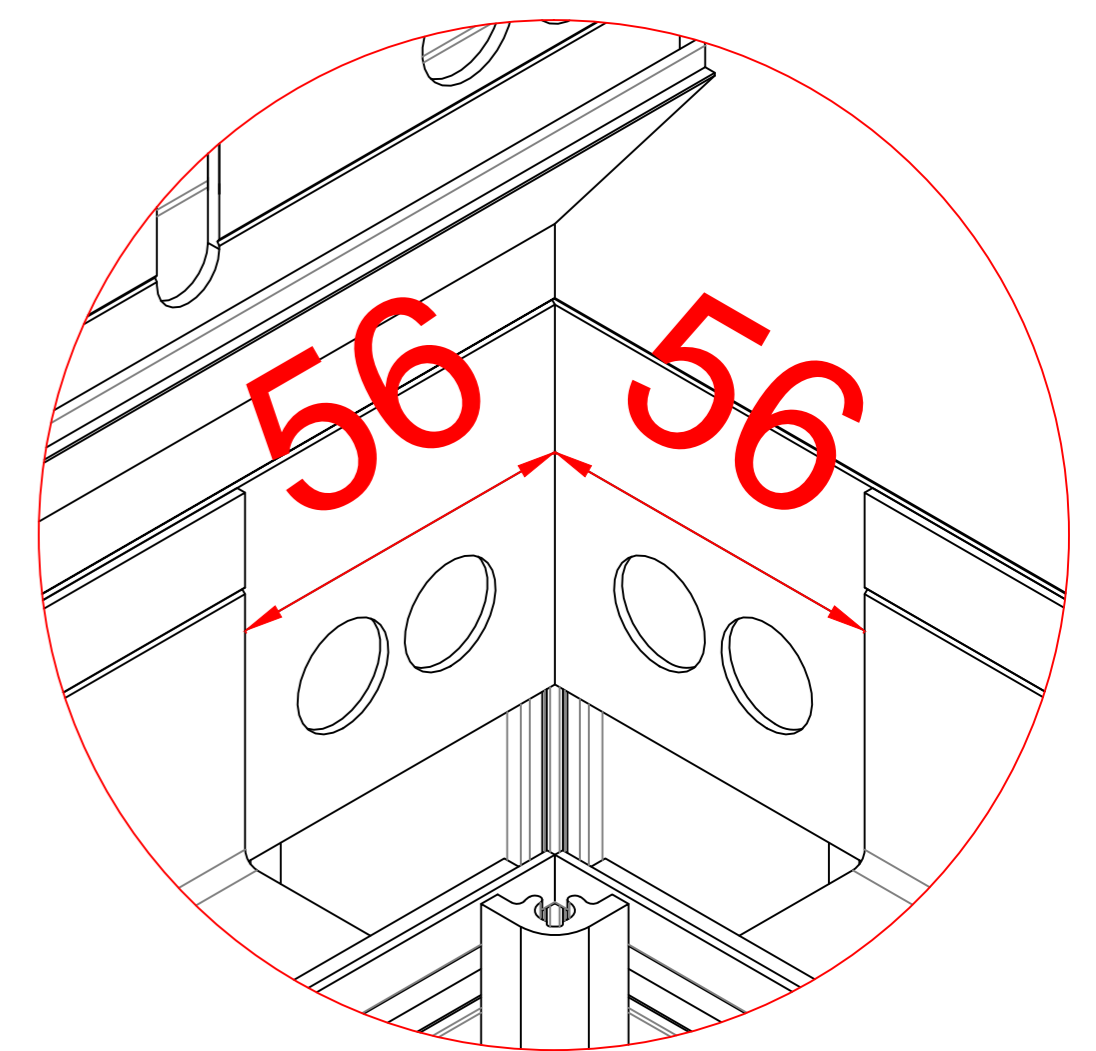
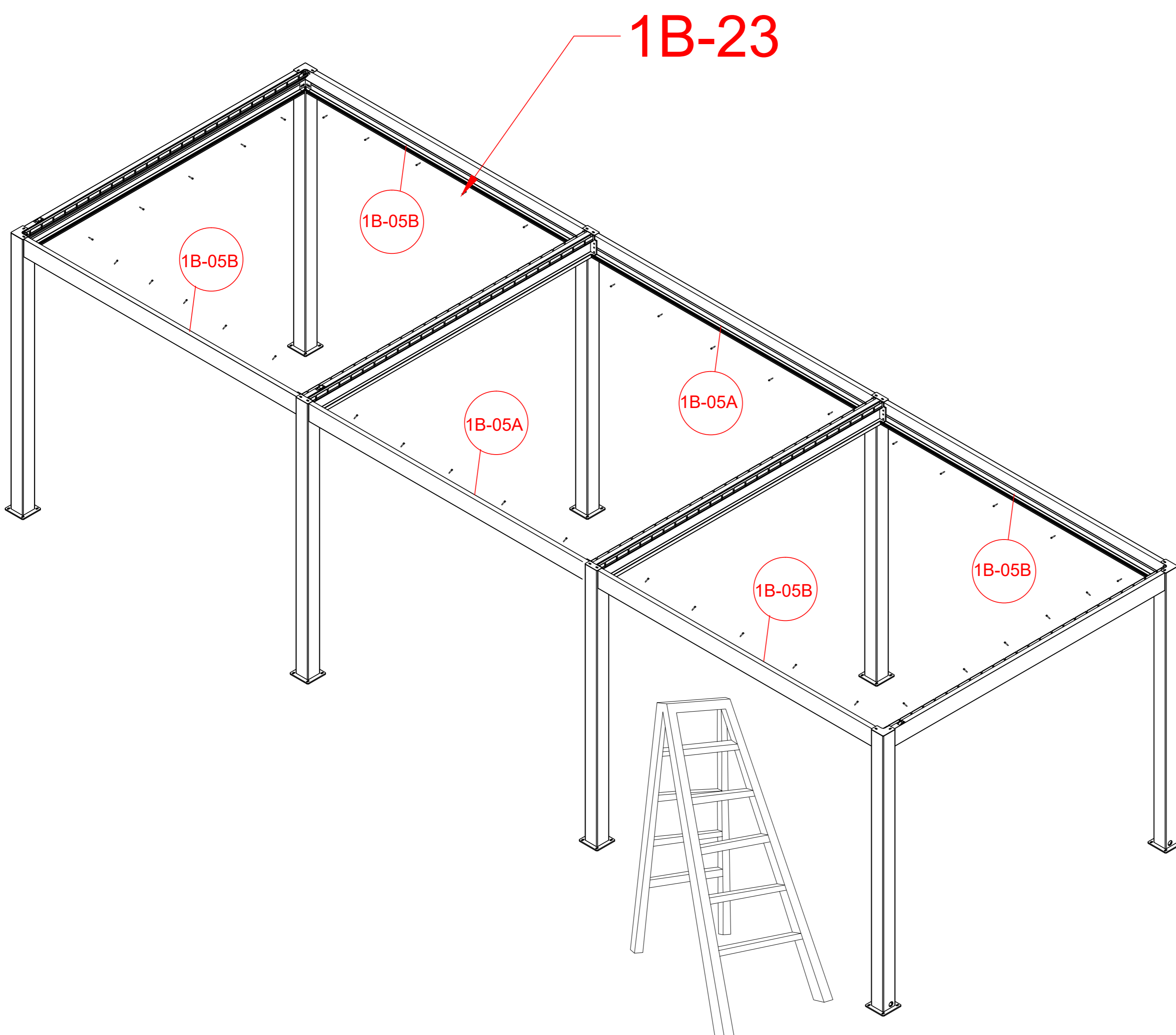
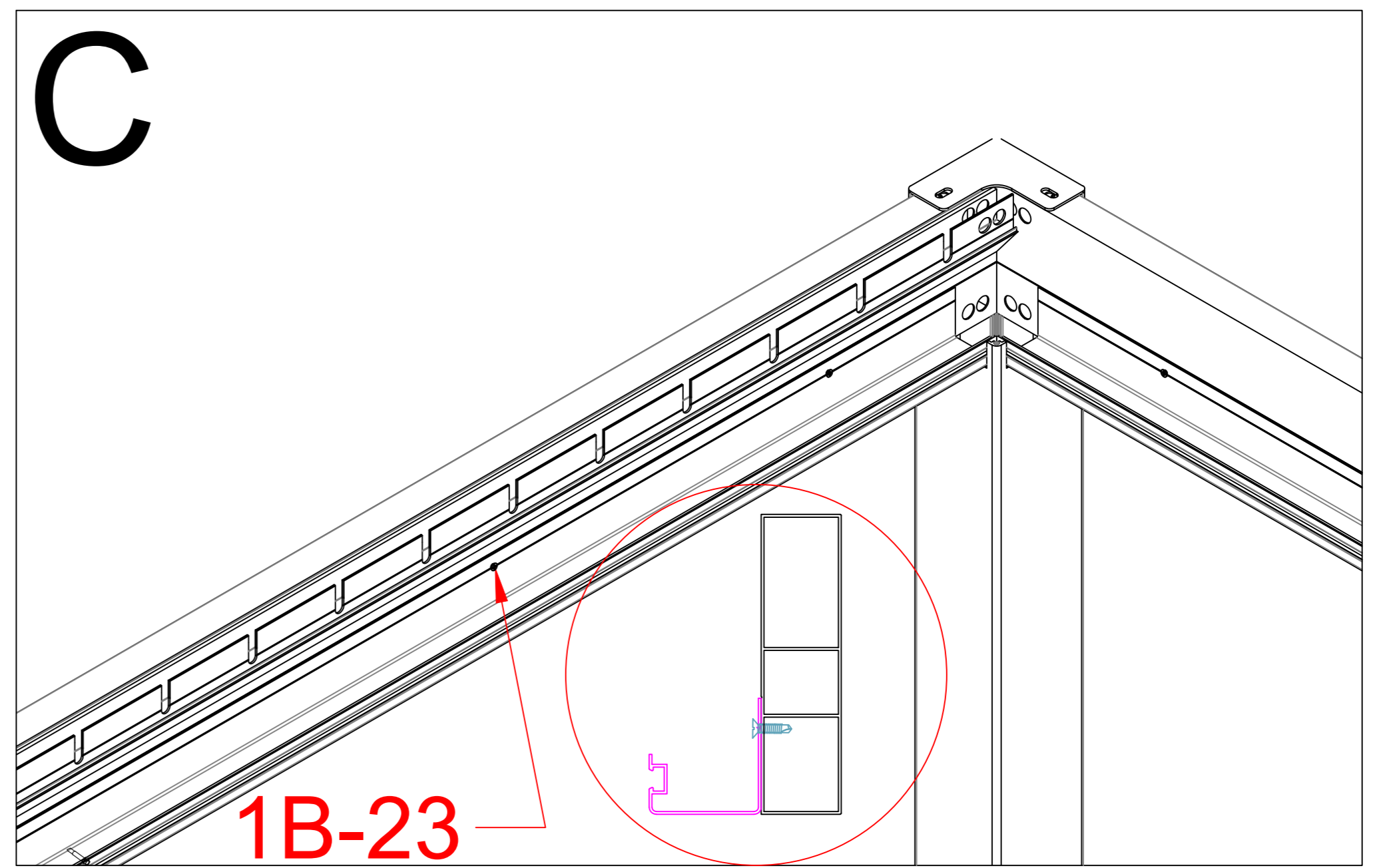
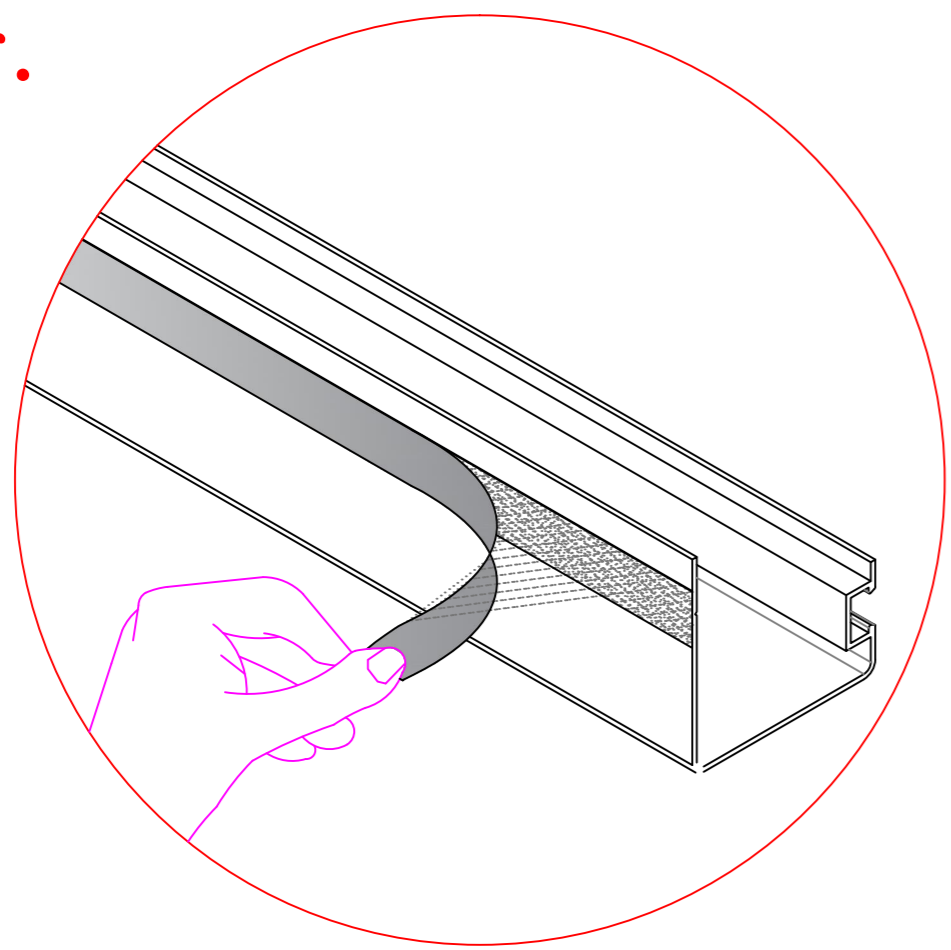


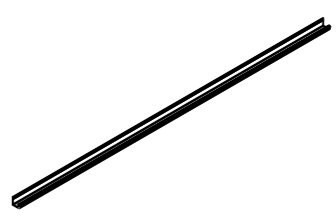
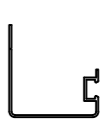
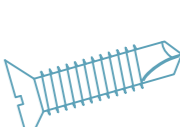
1B-29B		4
--------	--	---

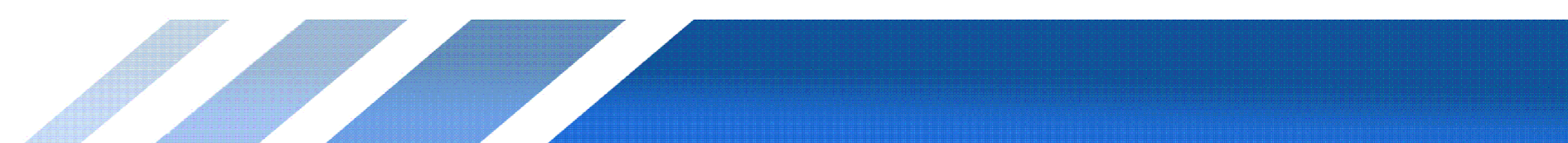




Warning:
Before installation, tear off the protective film of the tape on the back side of Gutter.

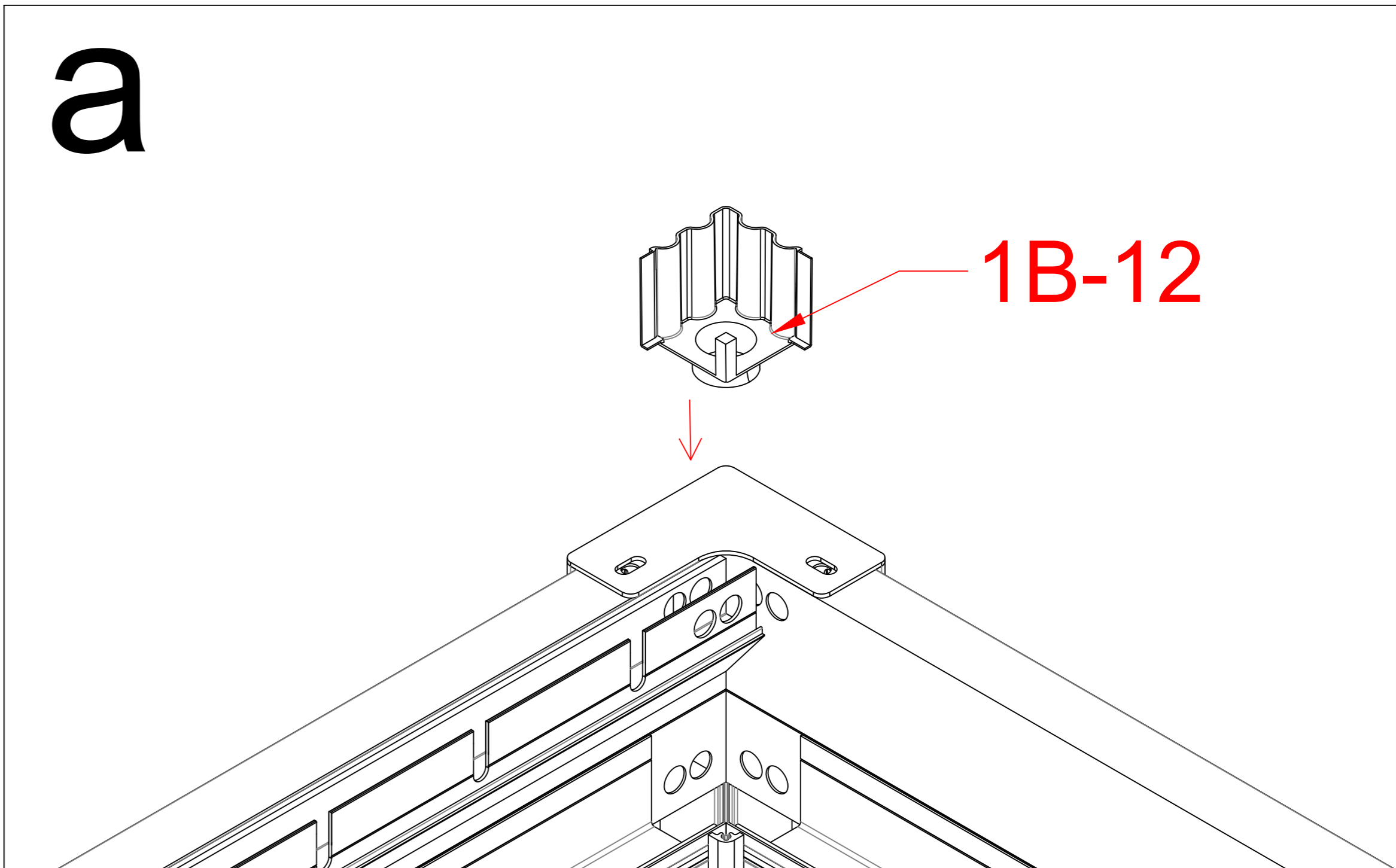


1B-05 A/B	 	6
1B-23		24

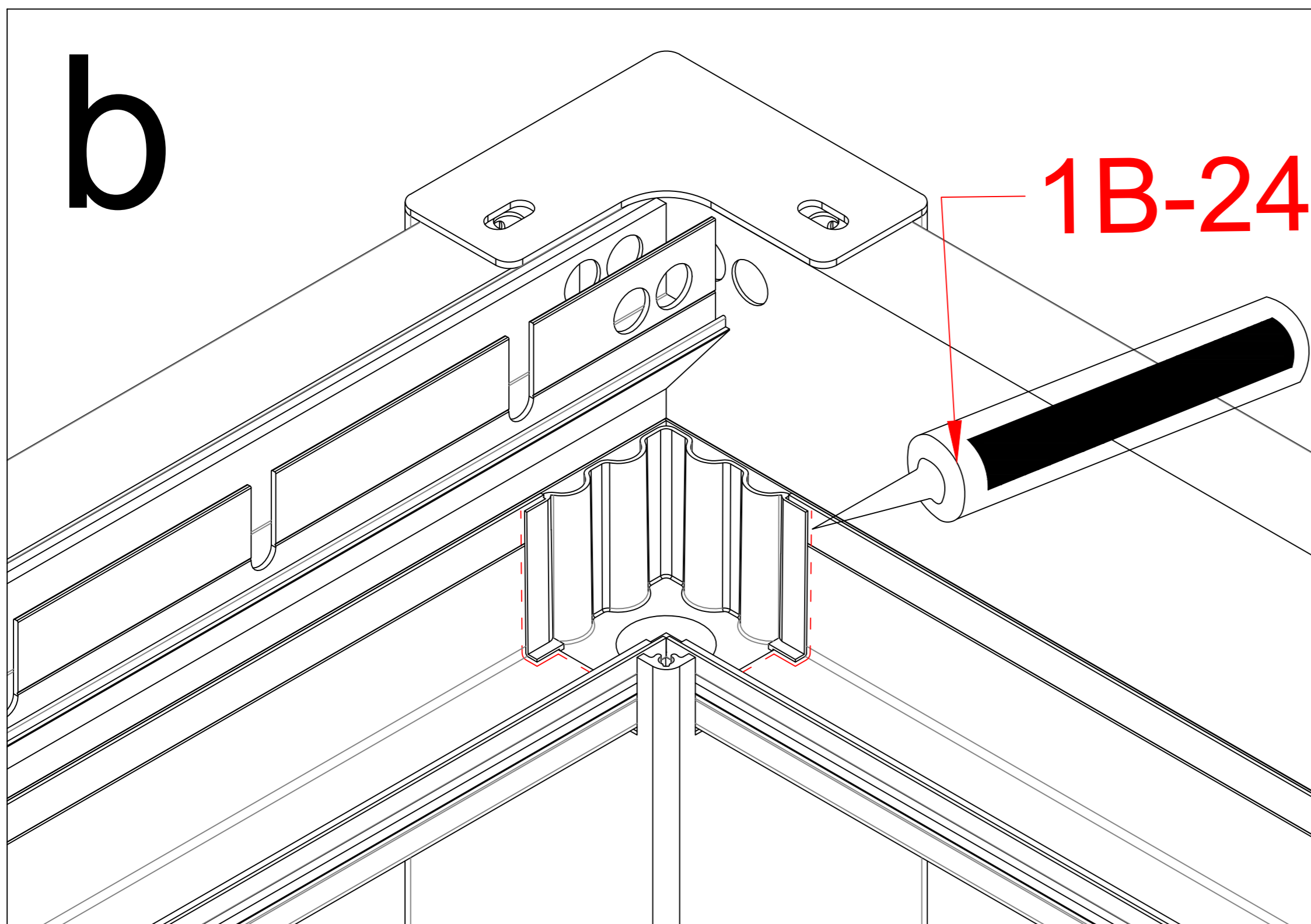




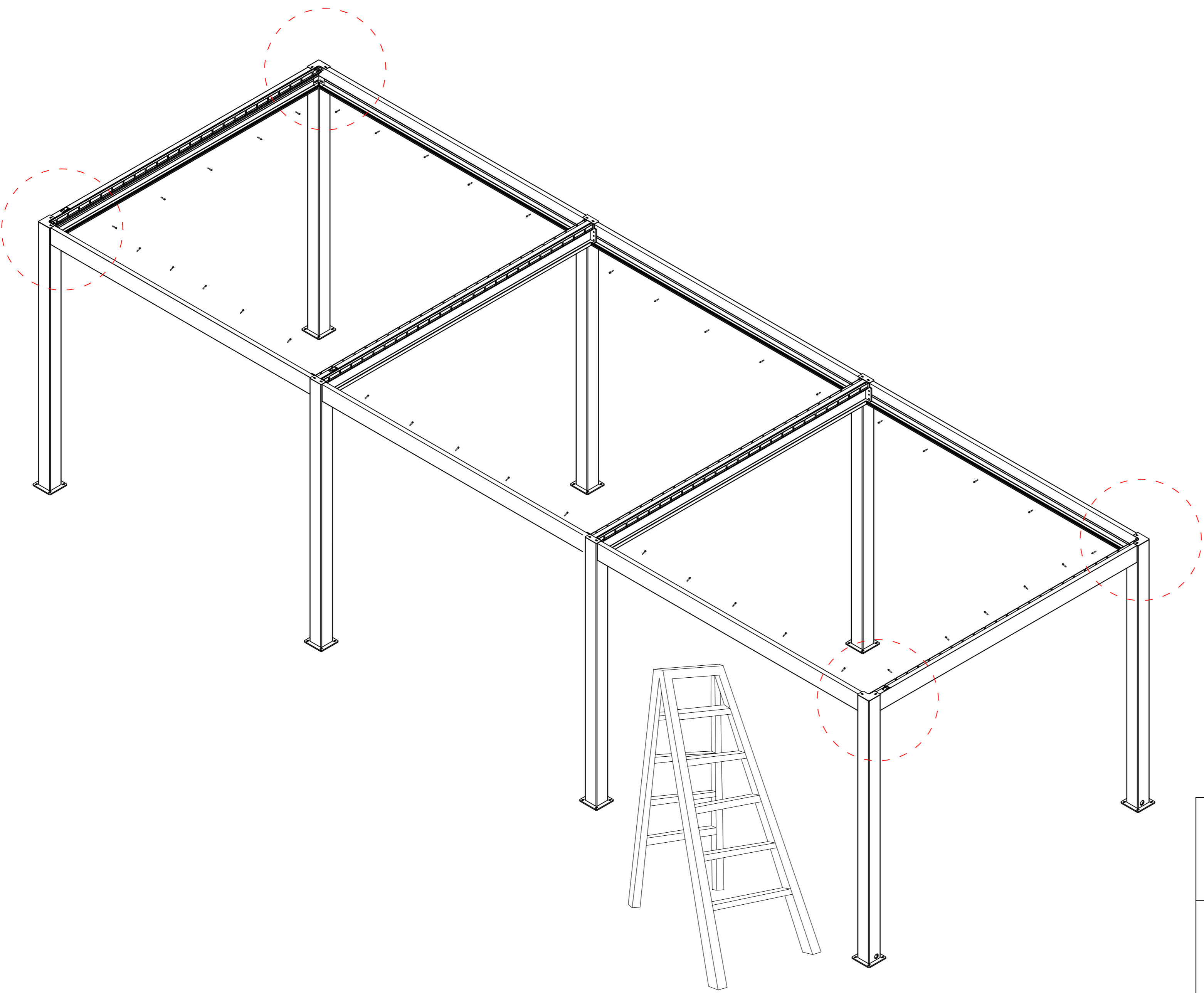
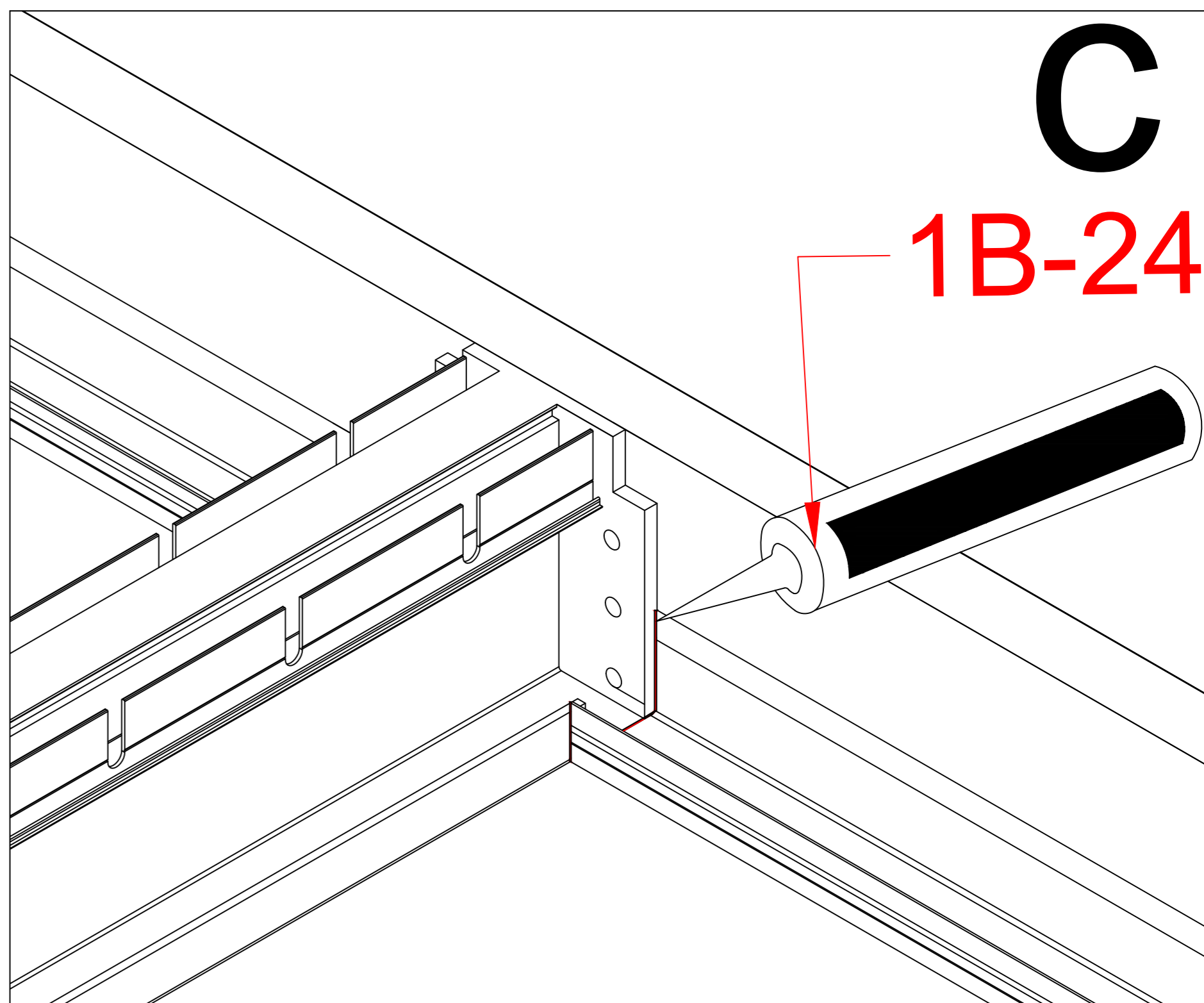
a

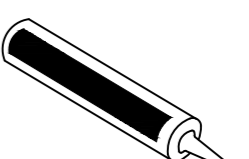
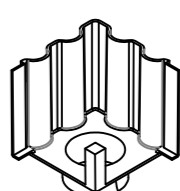


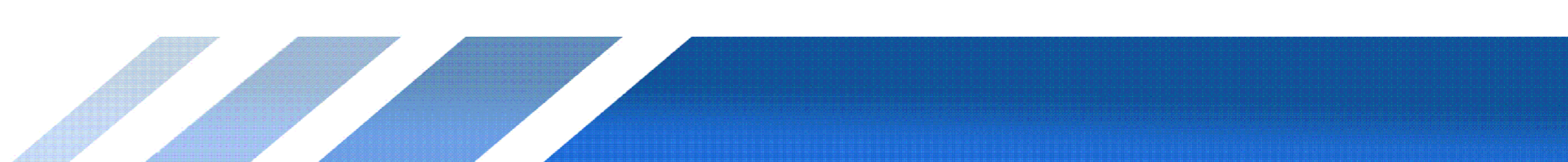
b

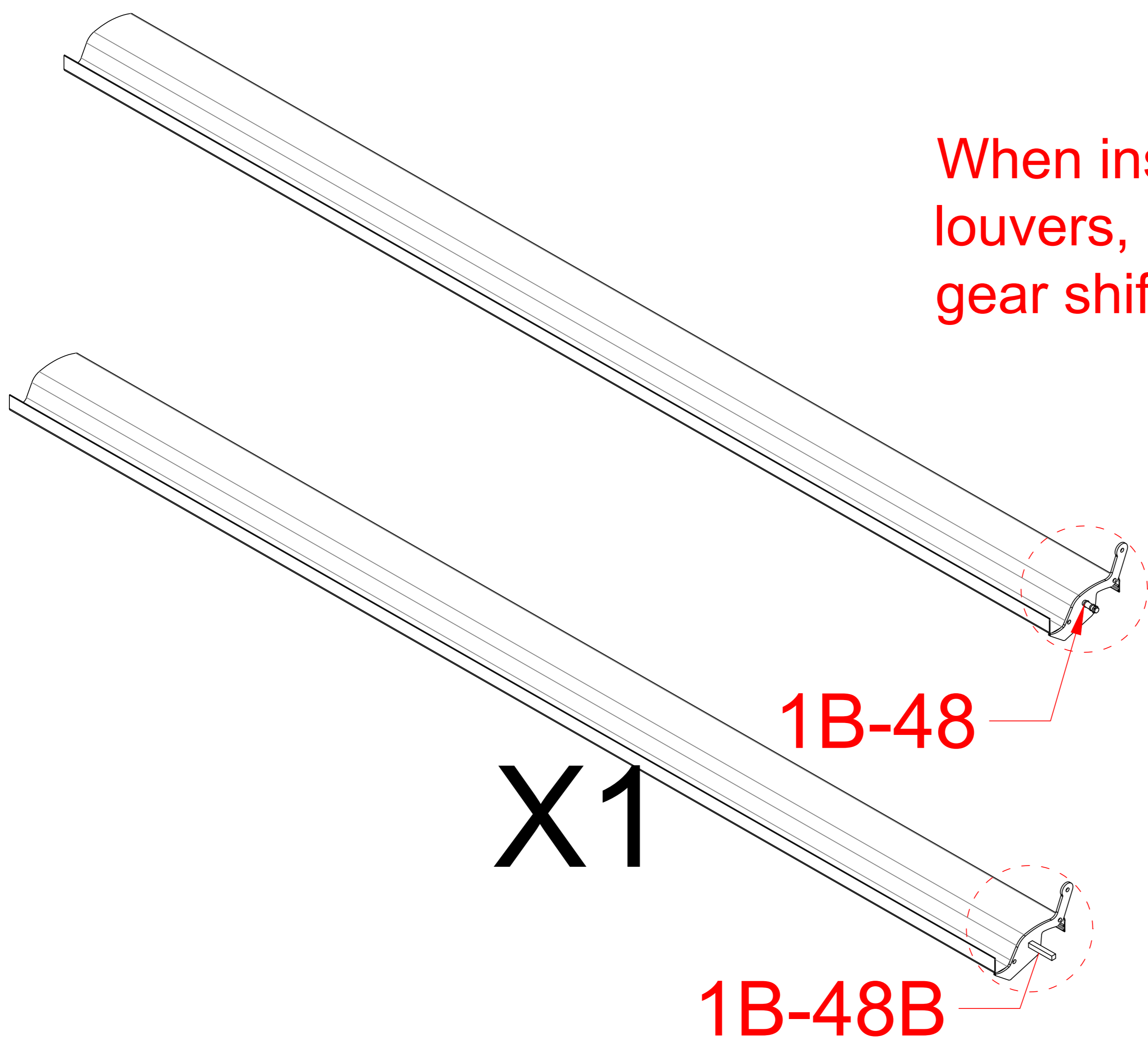
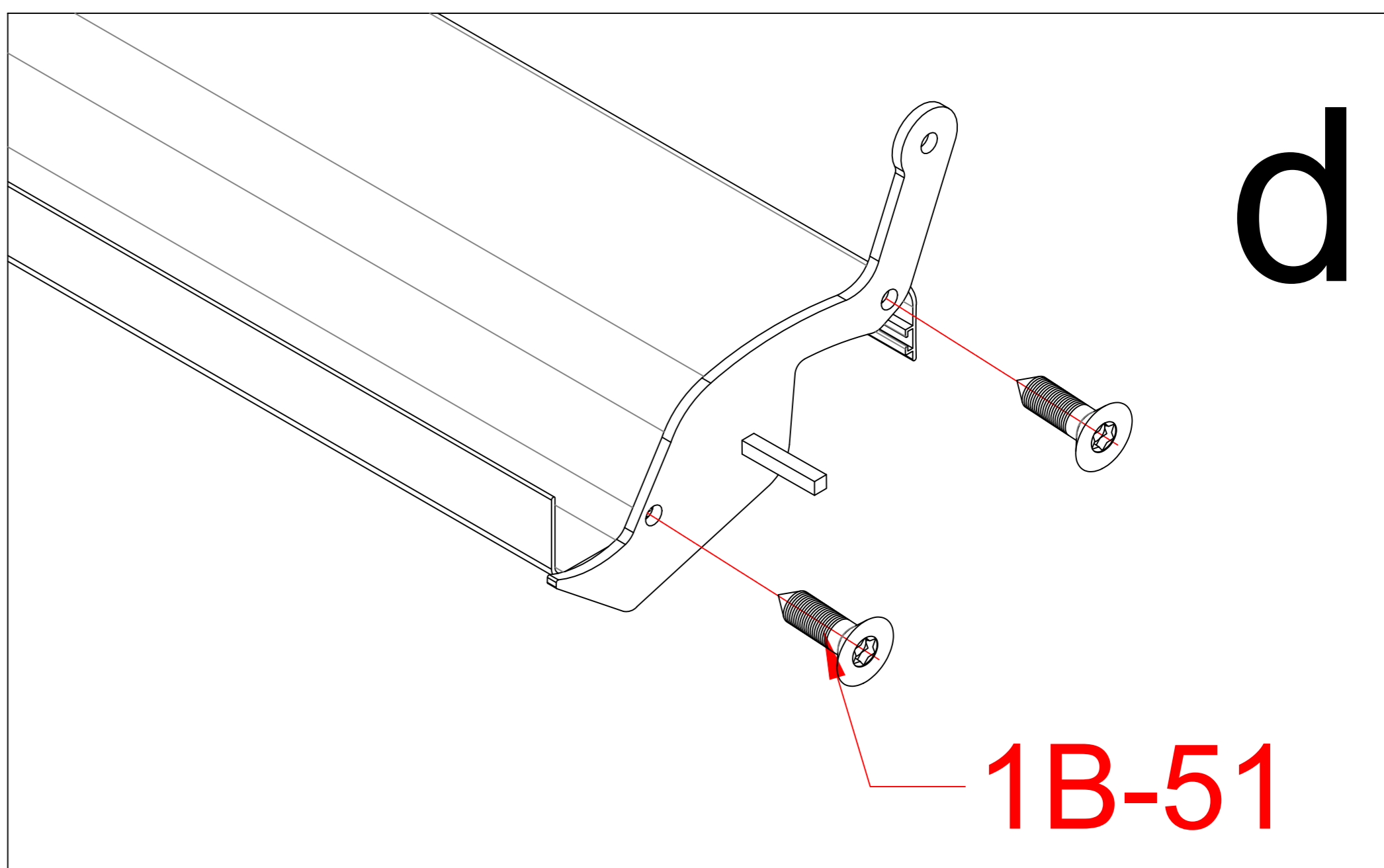
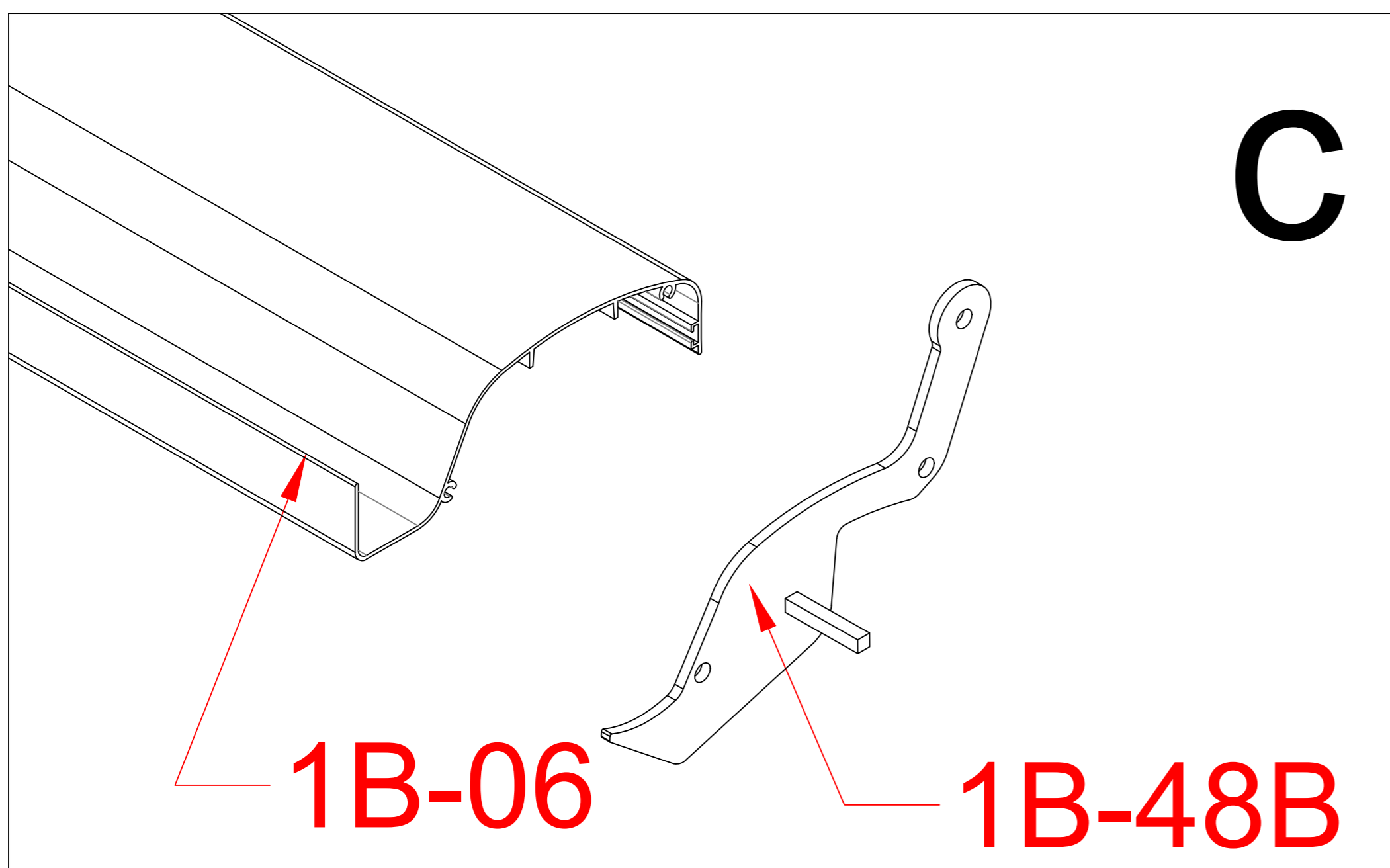
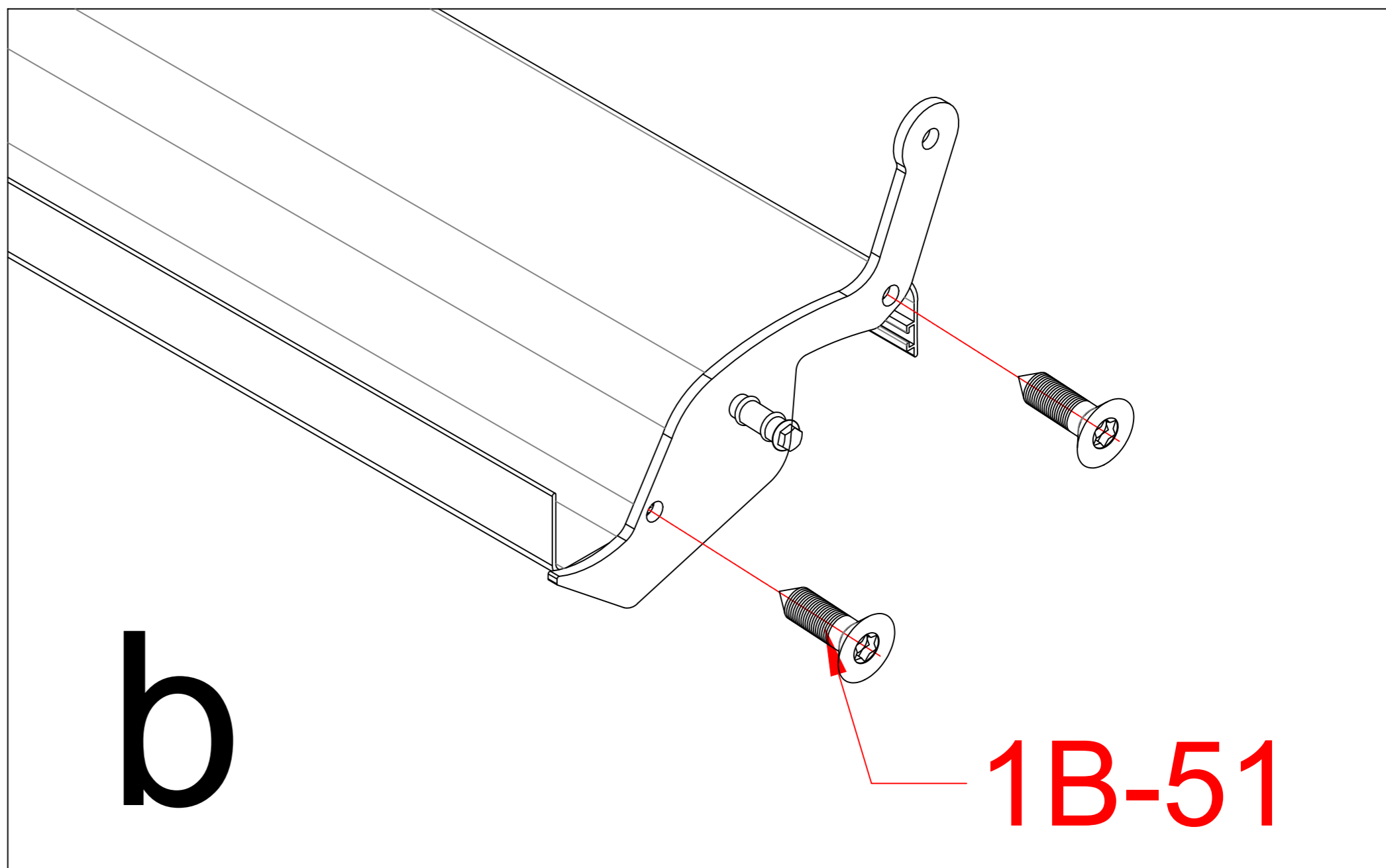
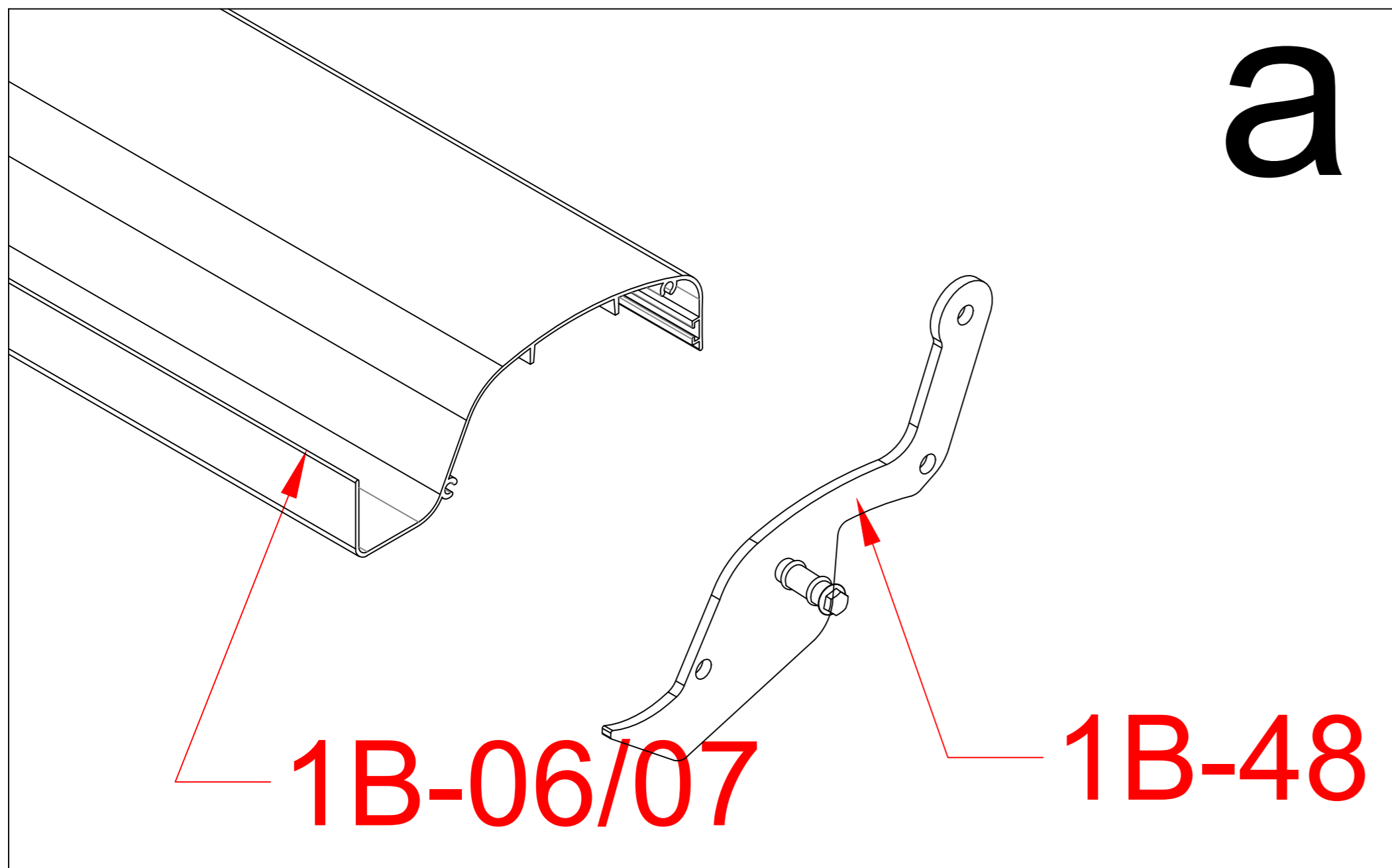


c

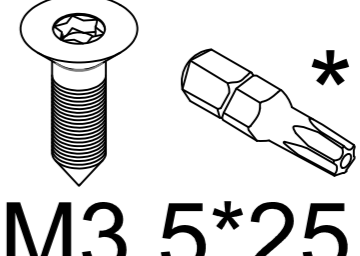
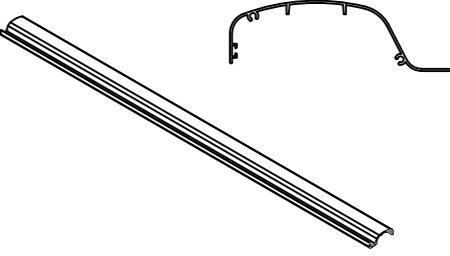
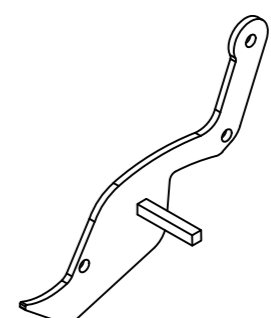
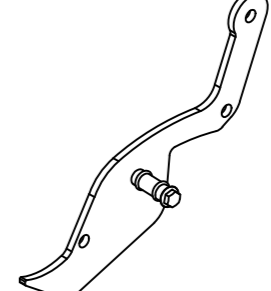


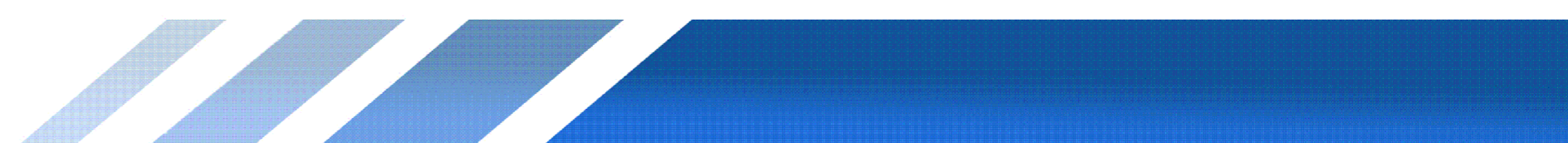
1B-24		1
1B-12		4

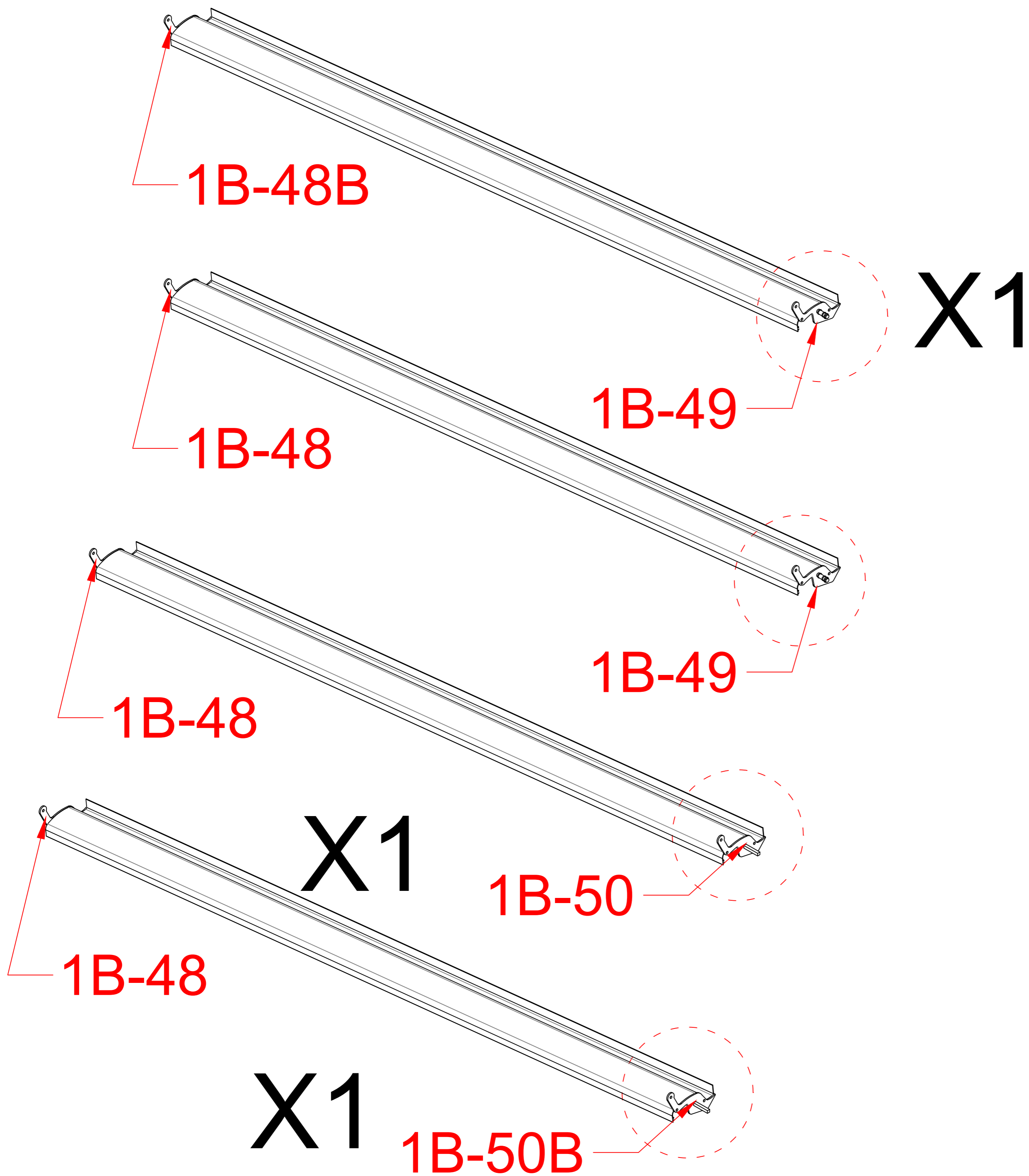
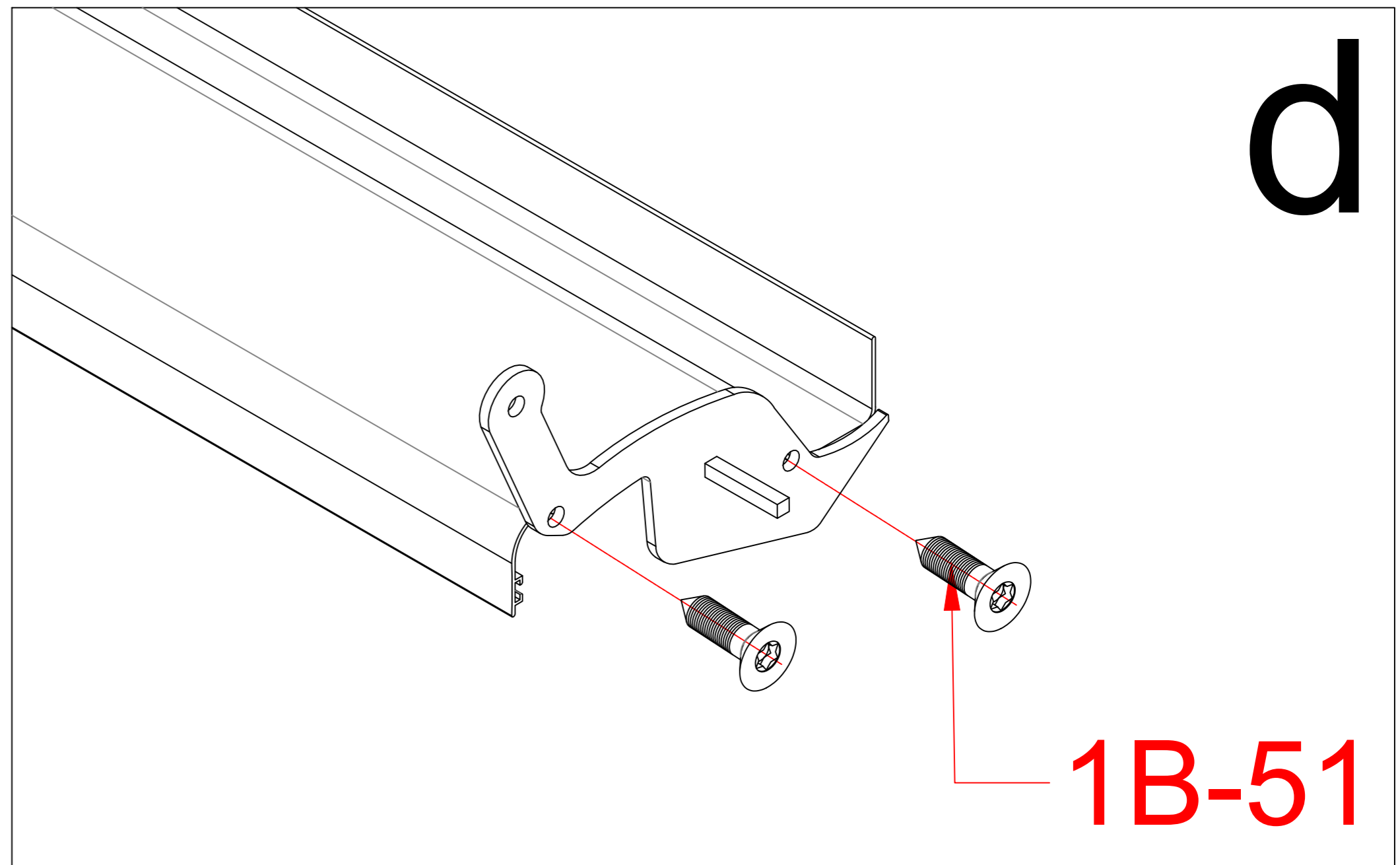
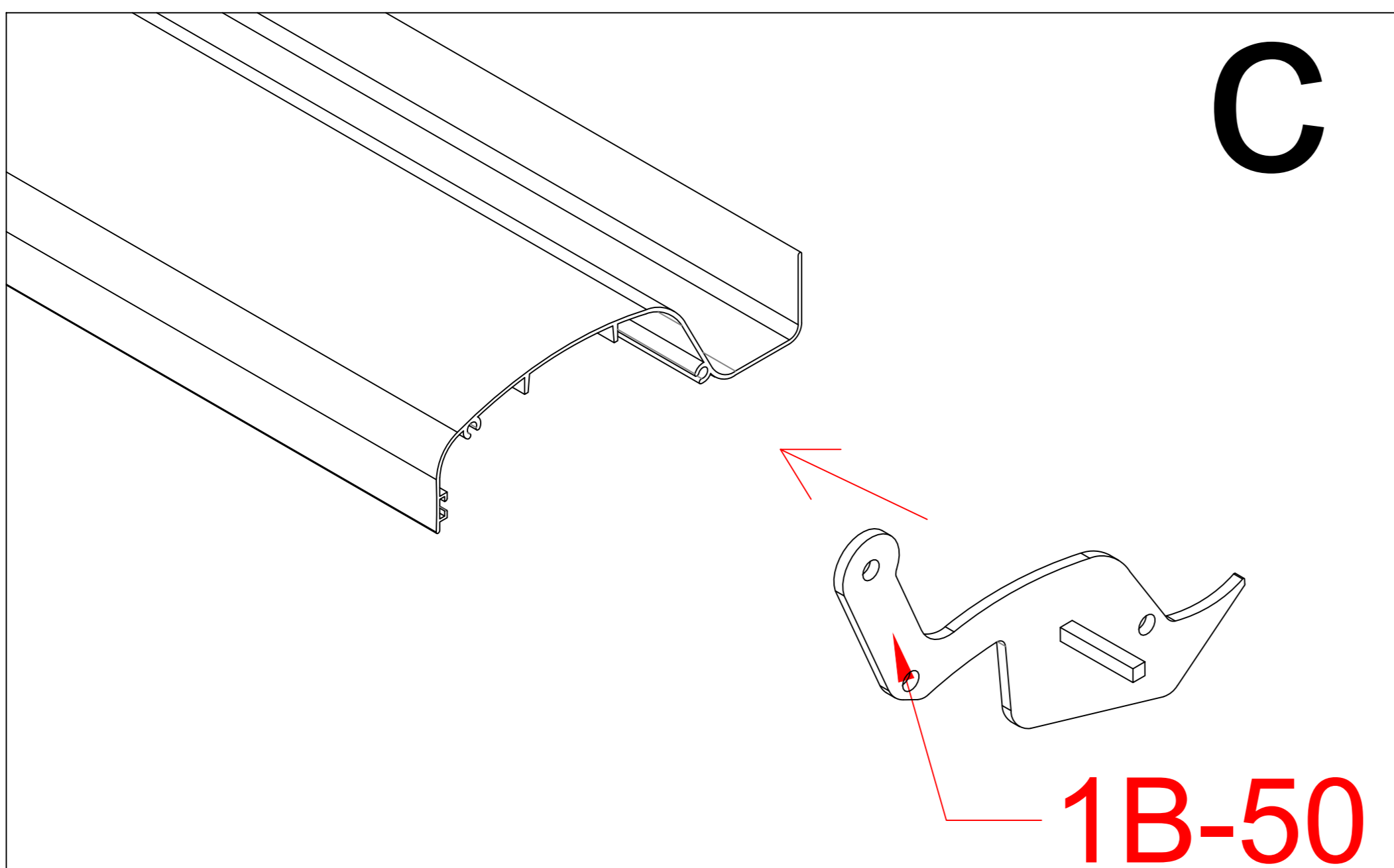
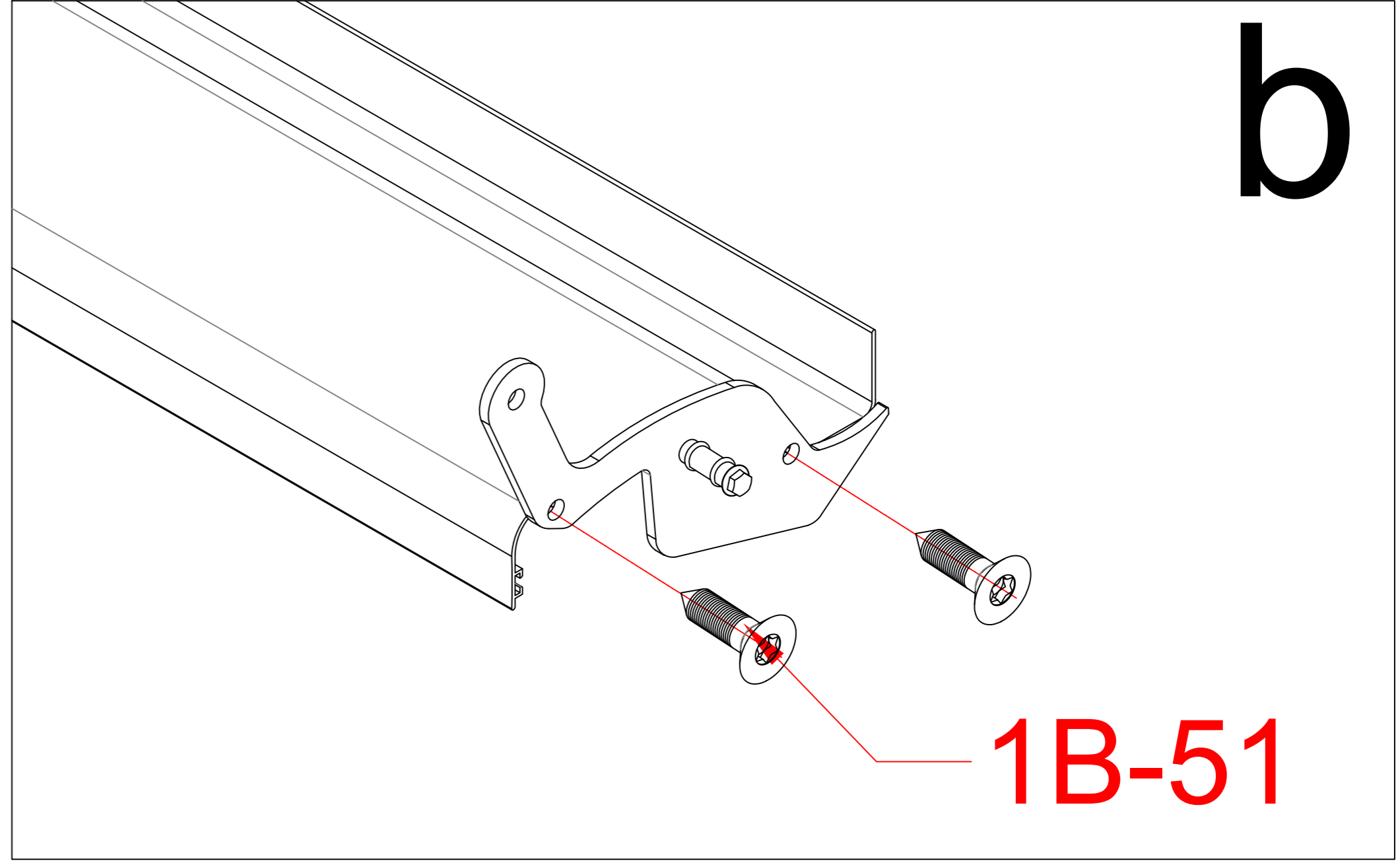
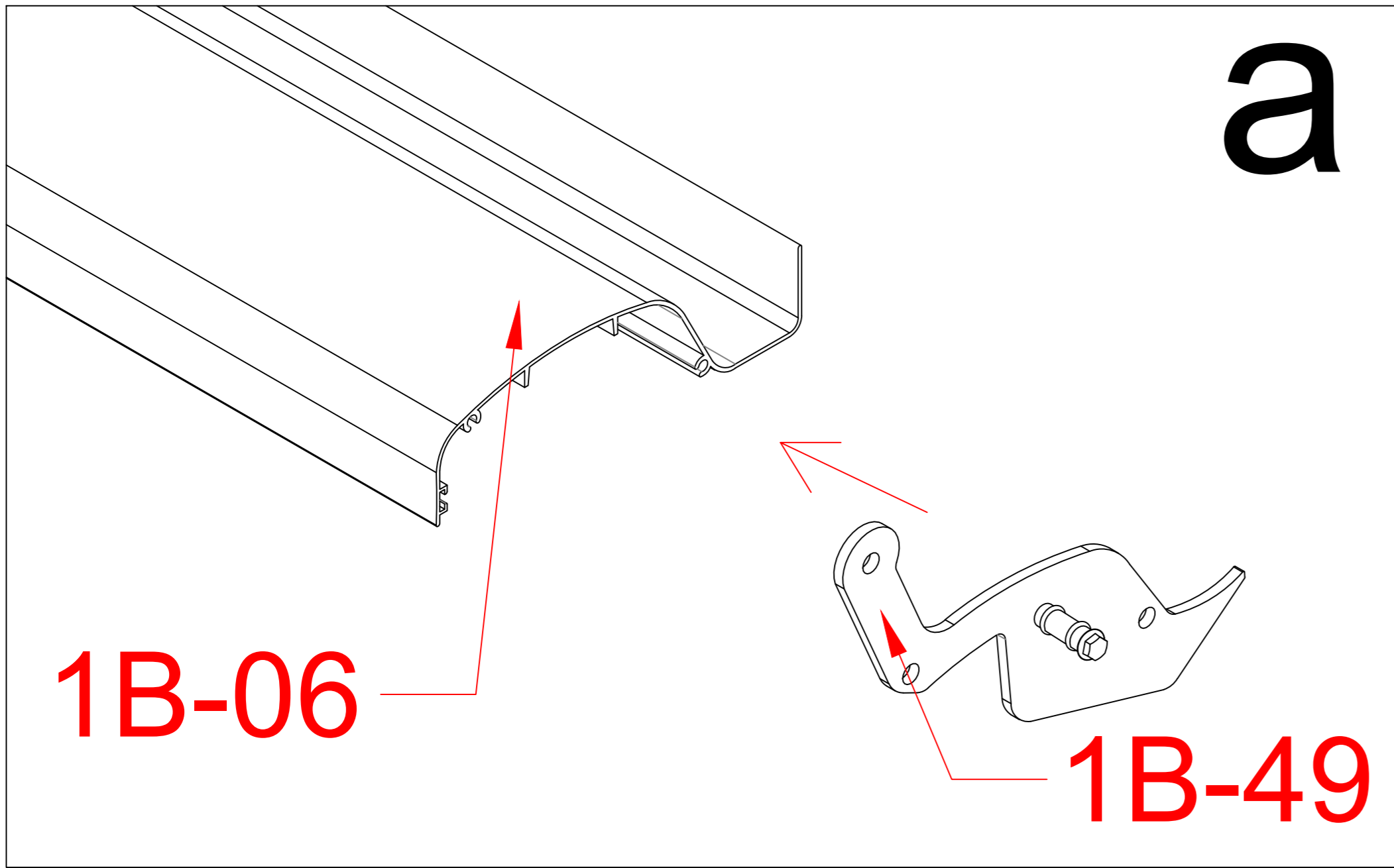


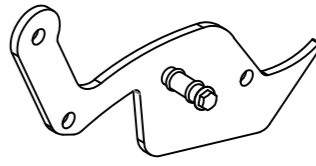
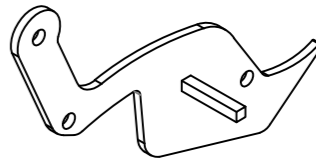
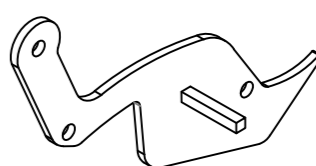
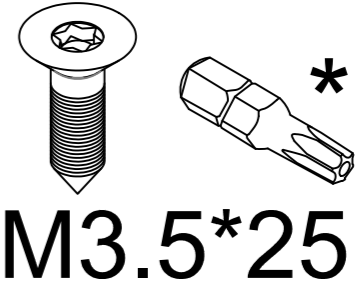


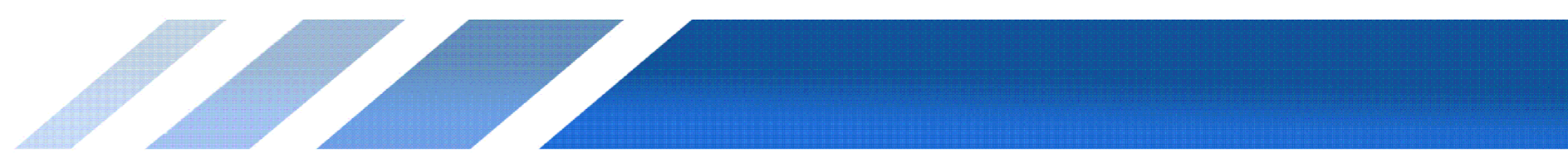
When installing the end cap for louvers, pls don't use the highest gear shift.

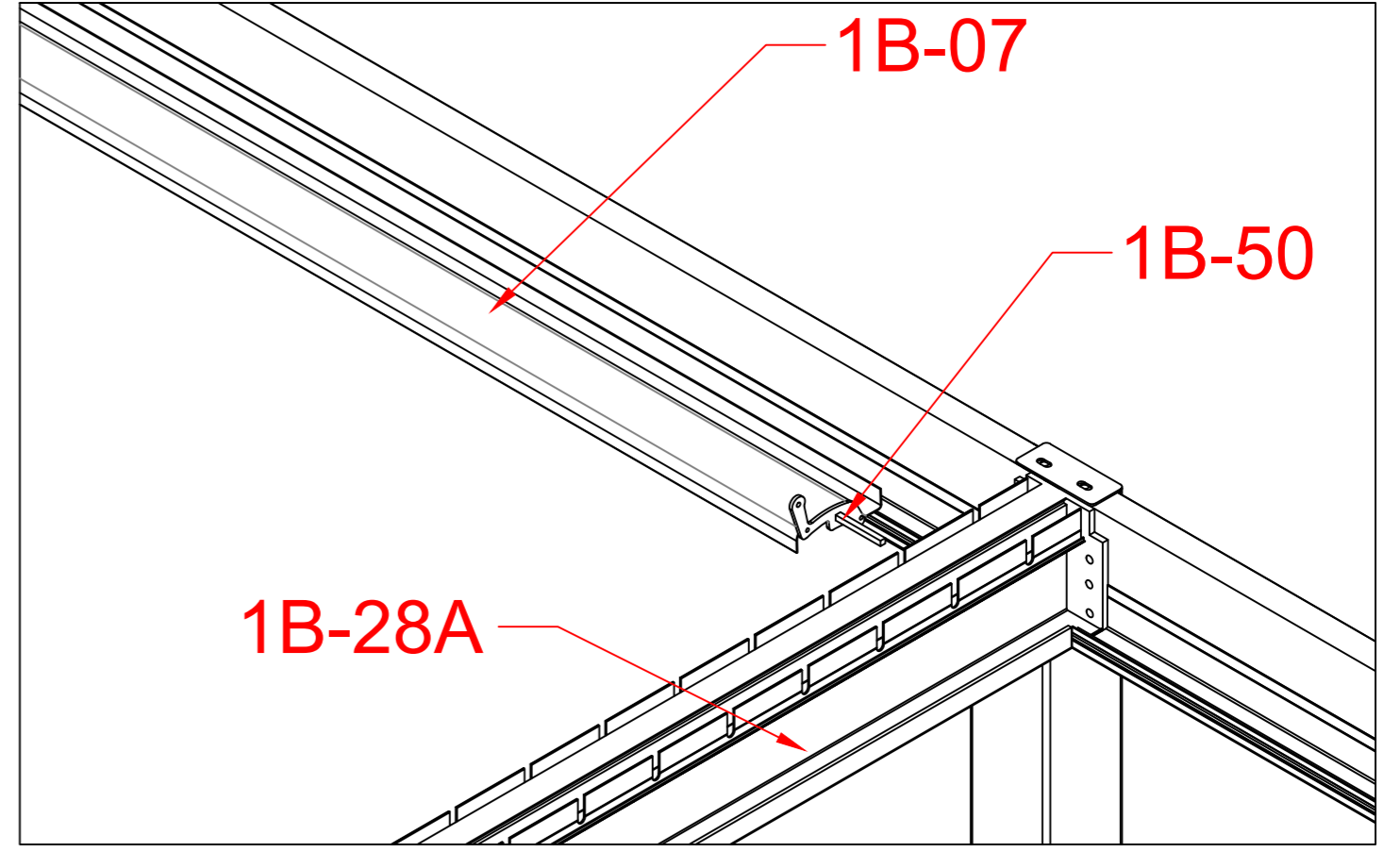
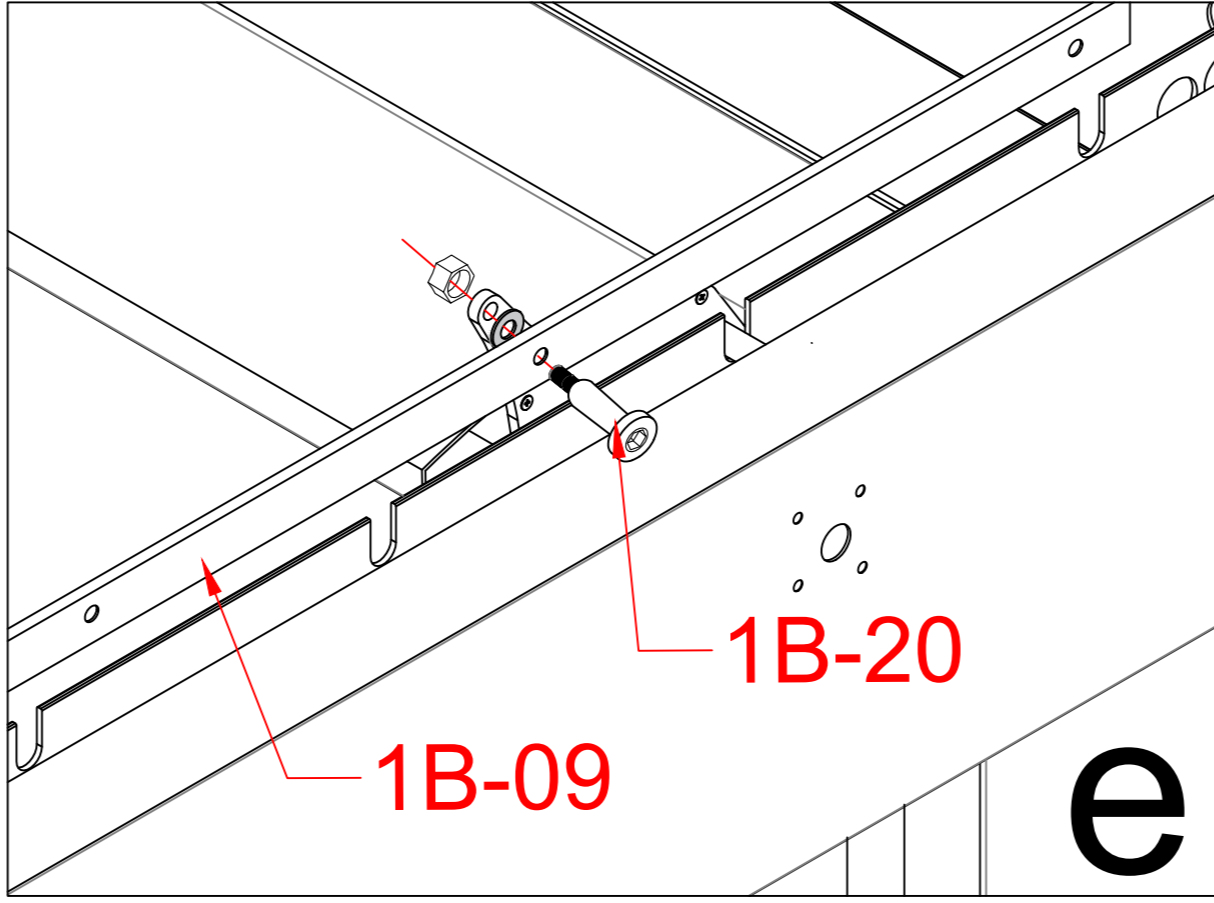
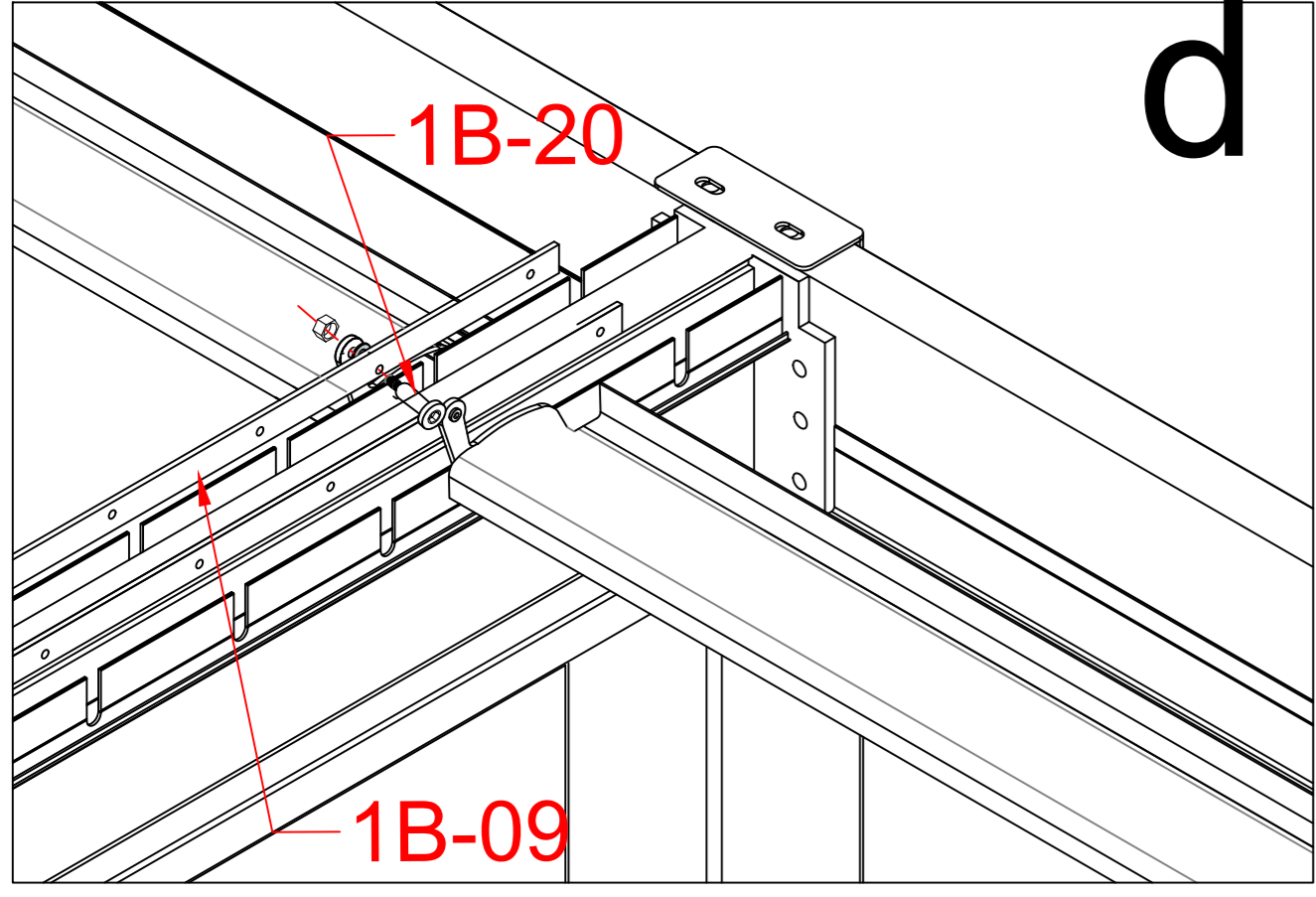
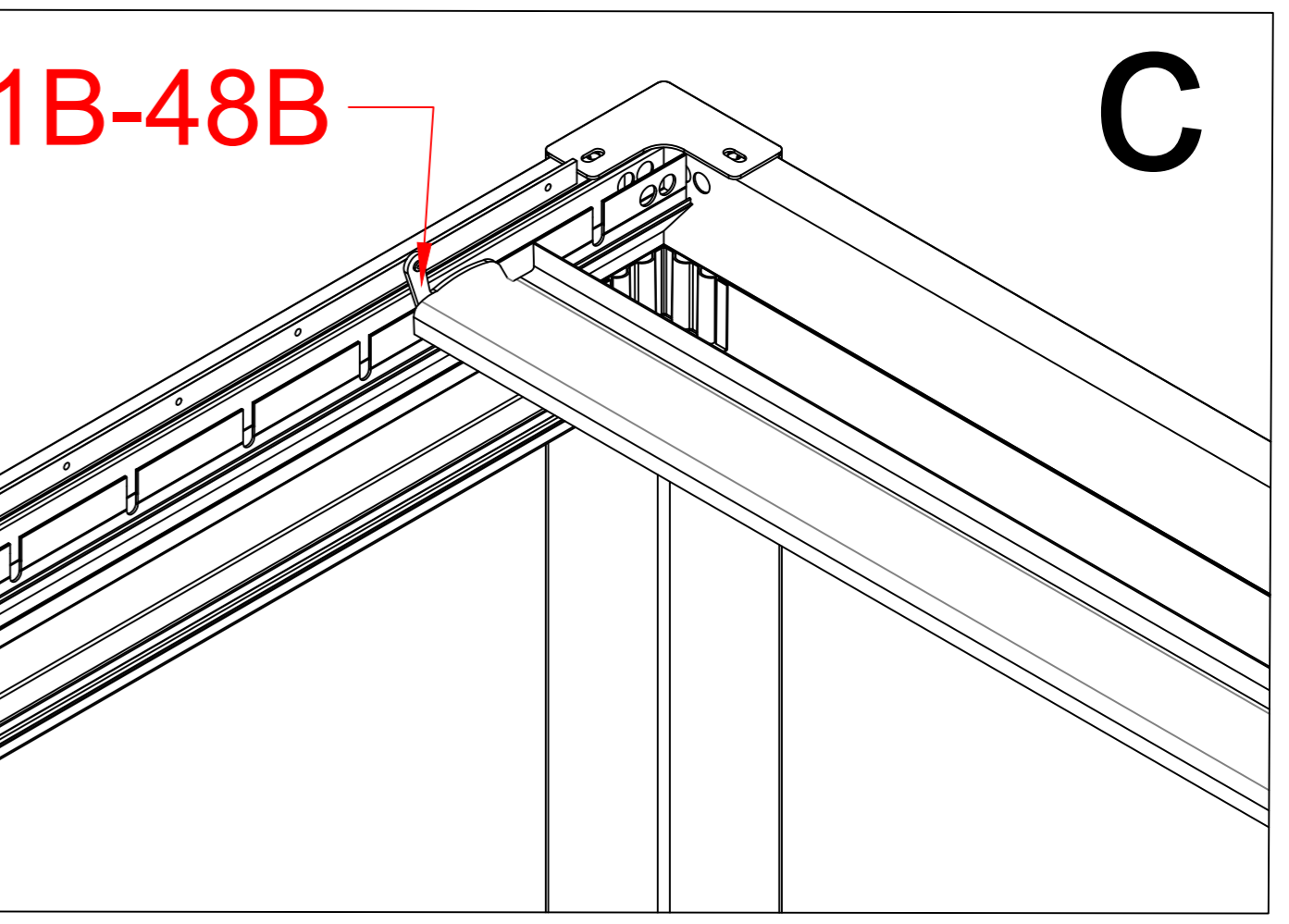
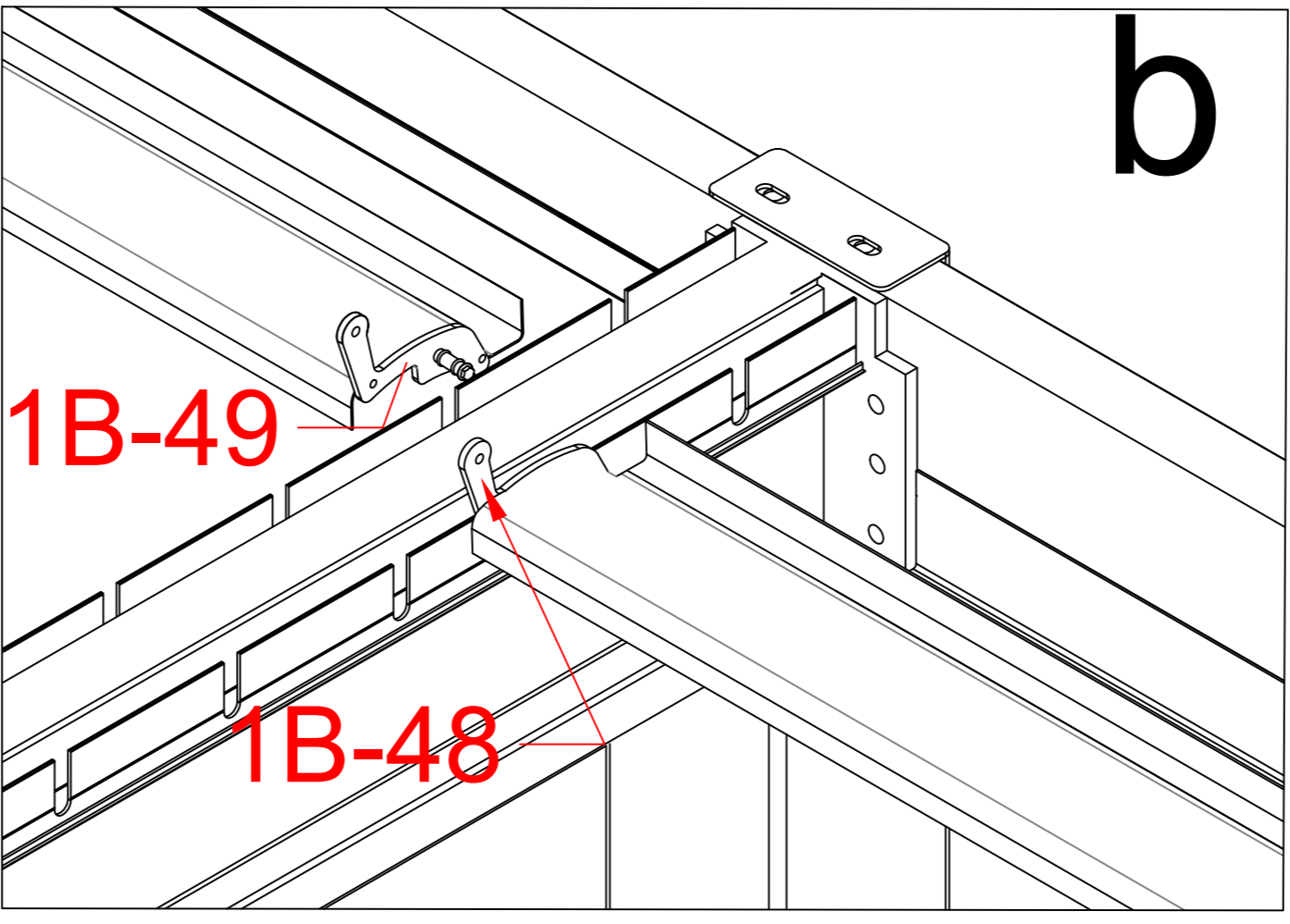
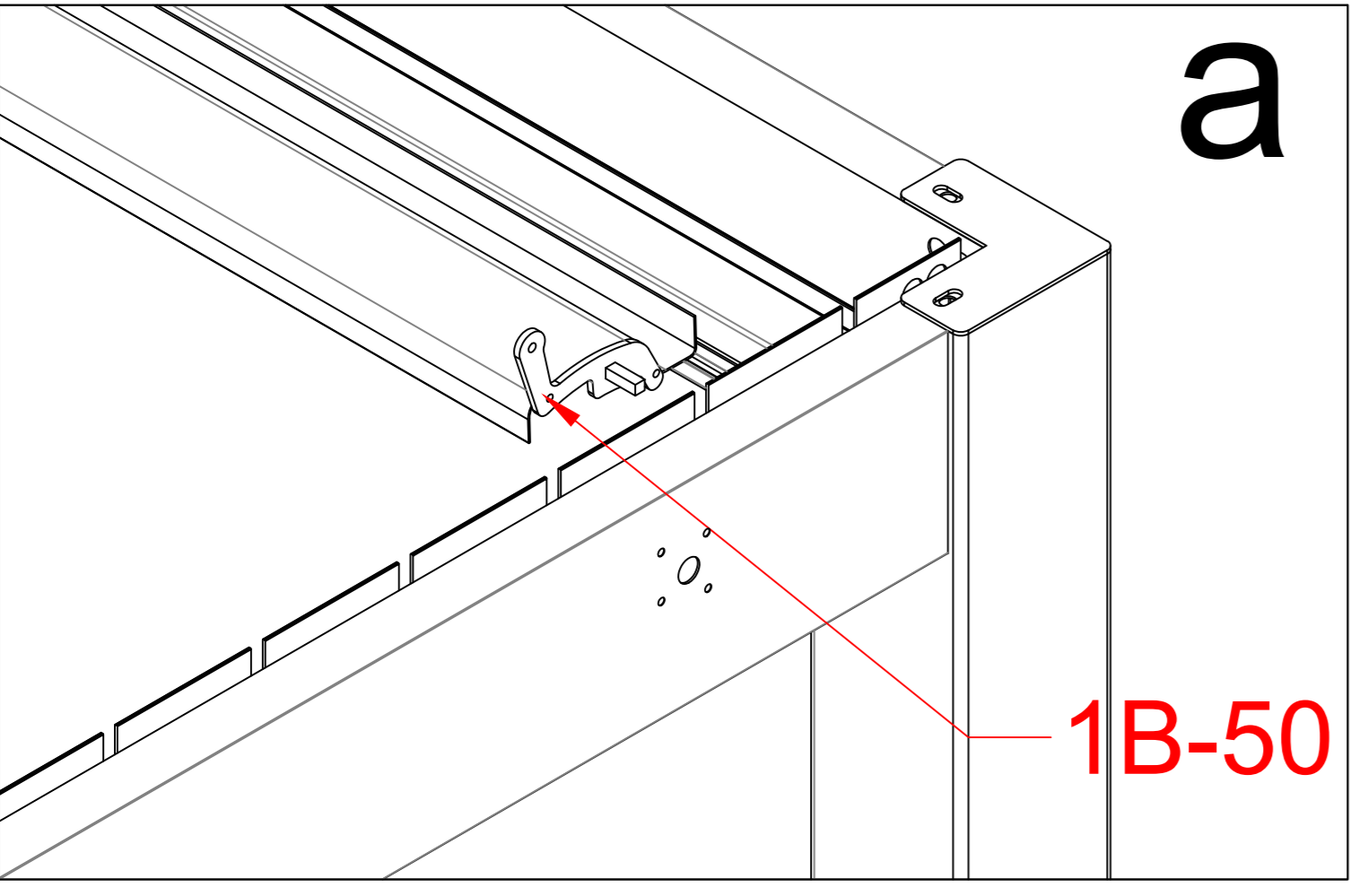
1B-51	 *1 M3.5*25	198
1B-06		99
1B-48B		1
1B-48		98



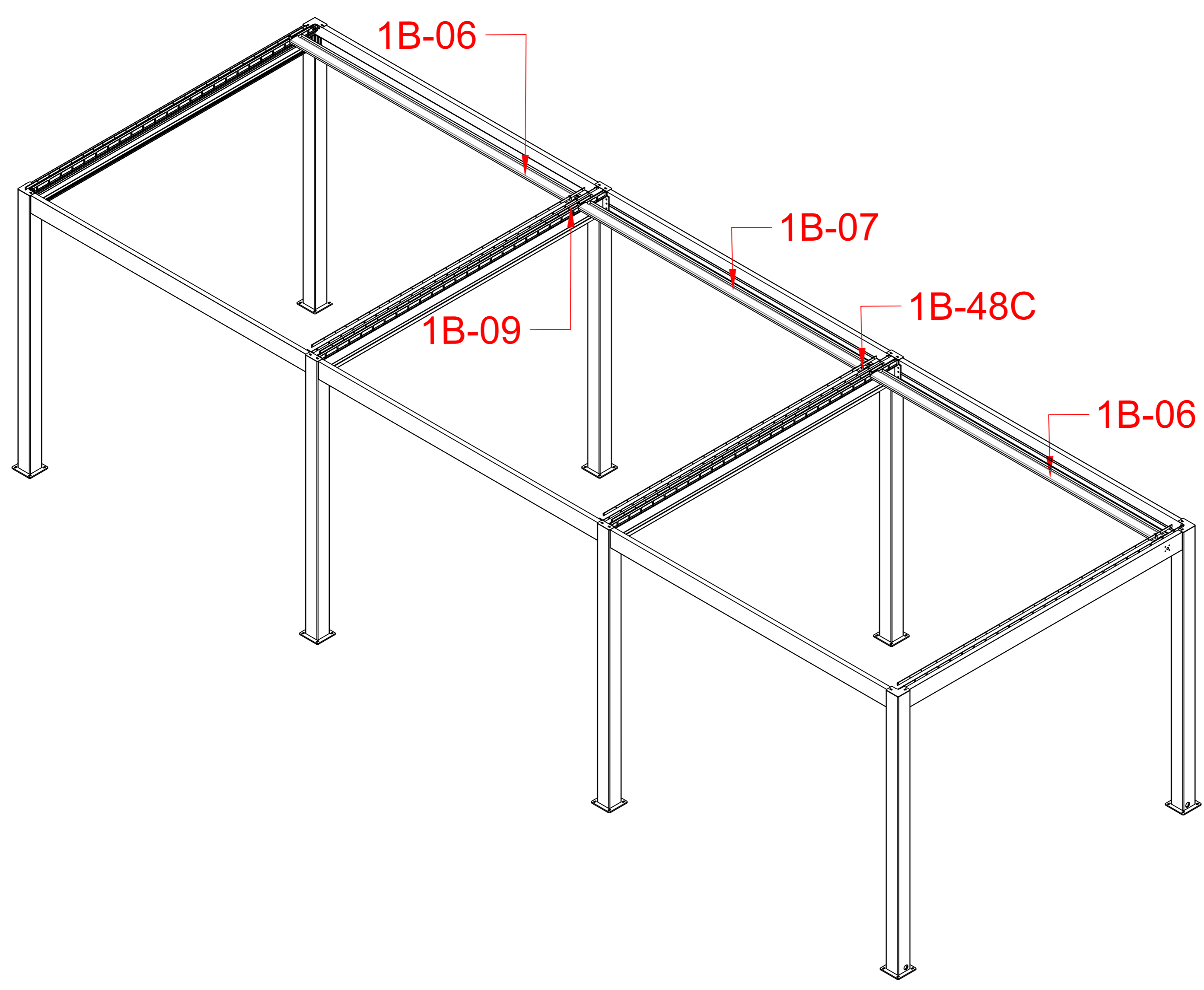


1B-49		97
1B-50B		1
1B-50		1
1B-51	 *1 M3.5*25	198

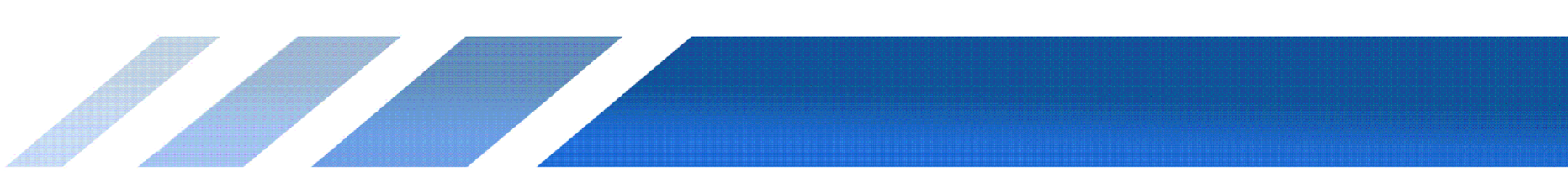


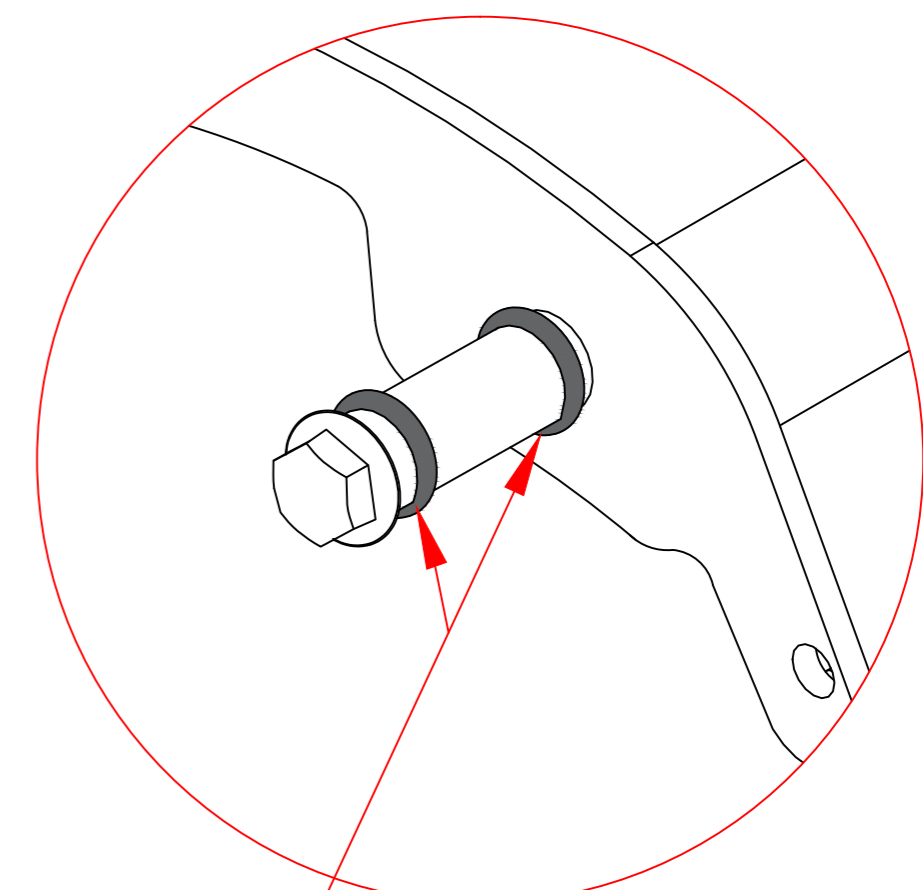
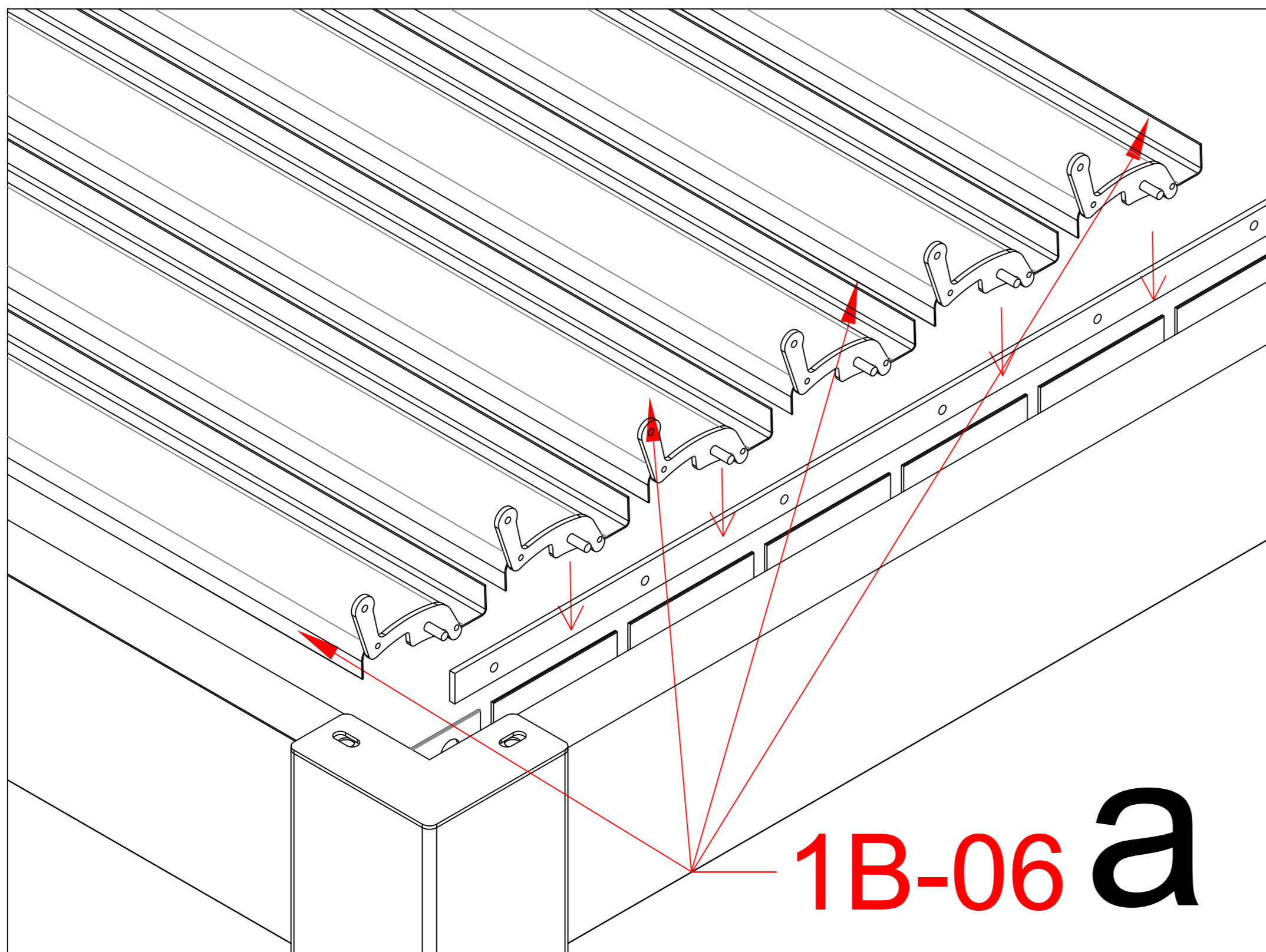


Warning:
 Simultaneous installation
 of driving louvres on both
 sides, and bolts must be
 tightened.



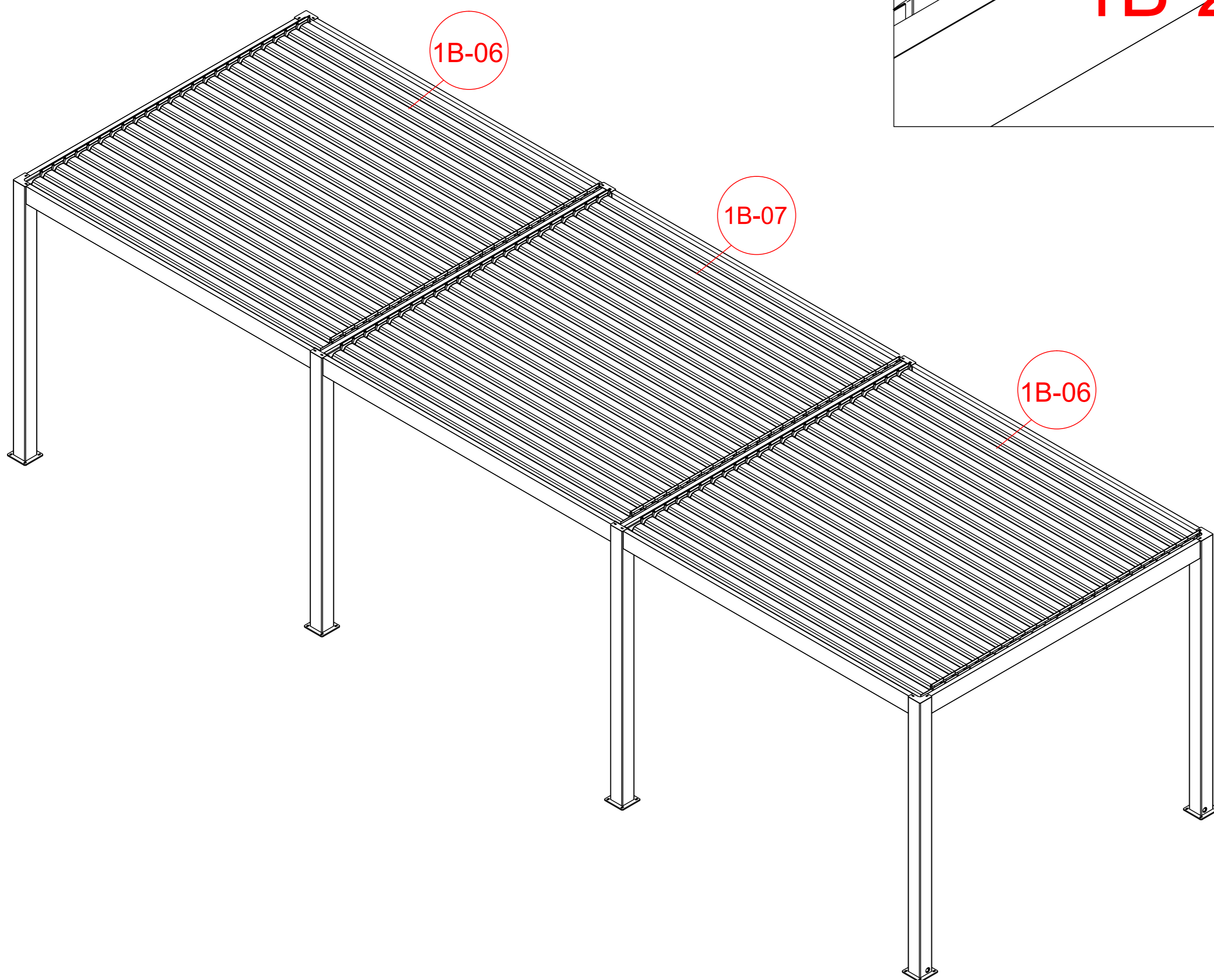
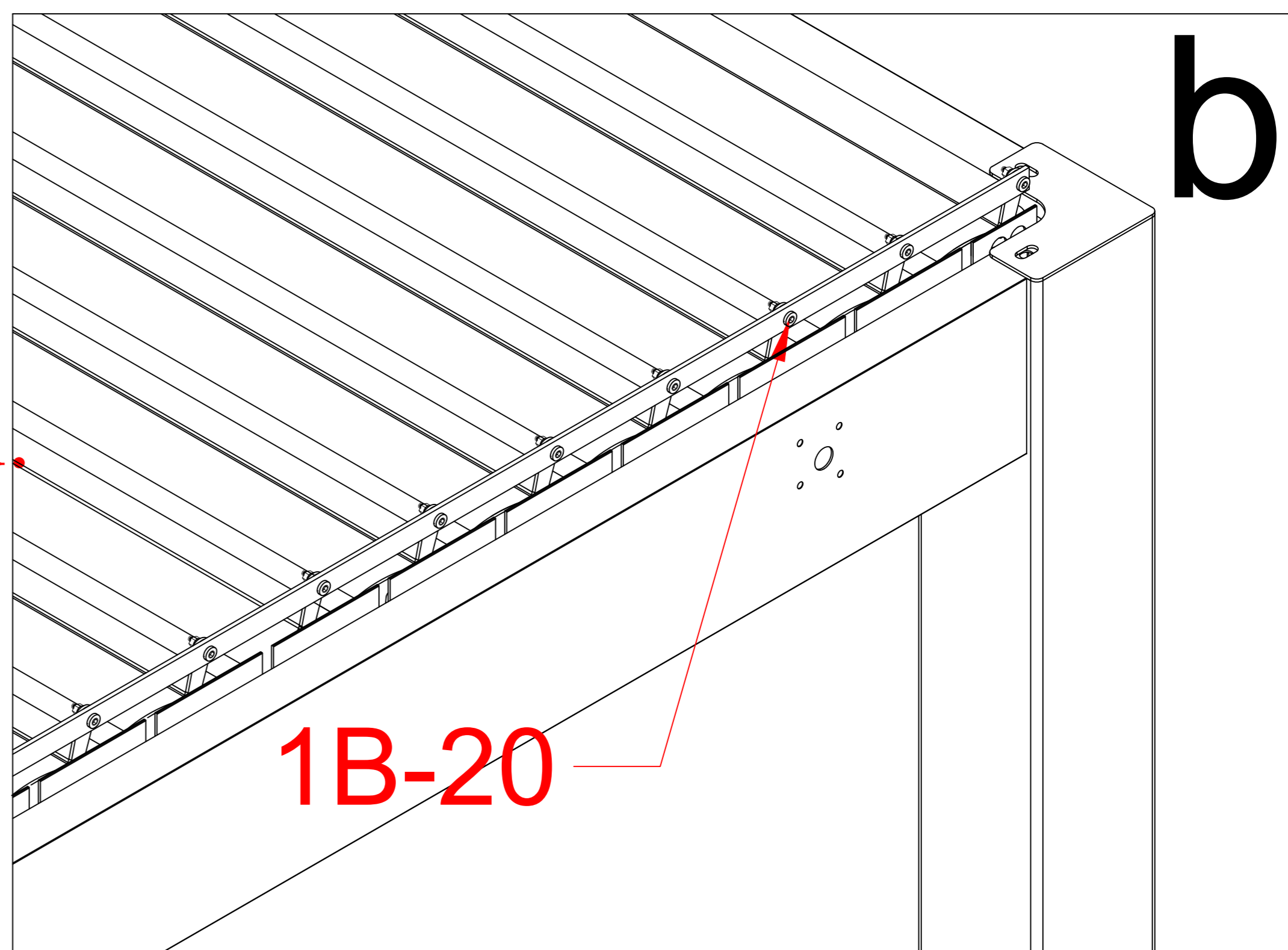
1B-09		6
1B-20		6
1B-07		1
1B-06		2



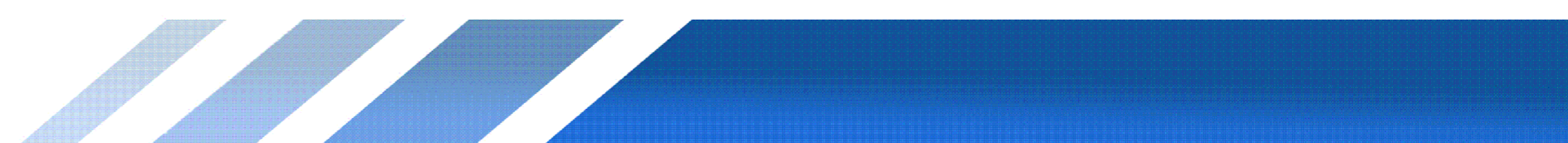


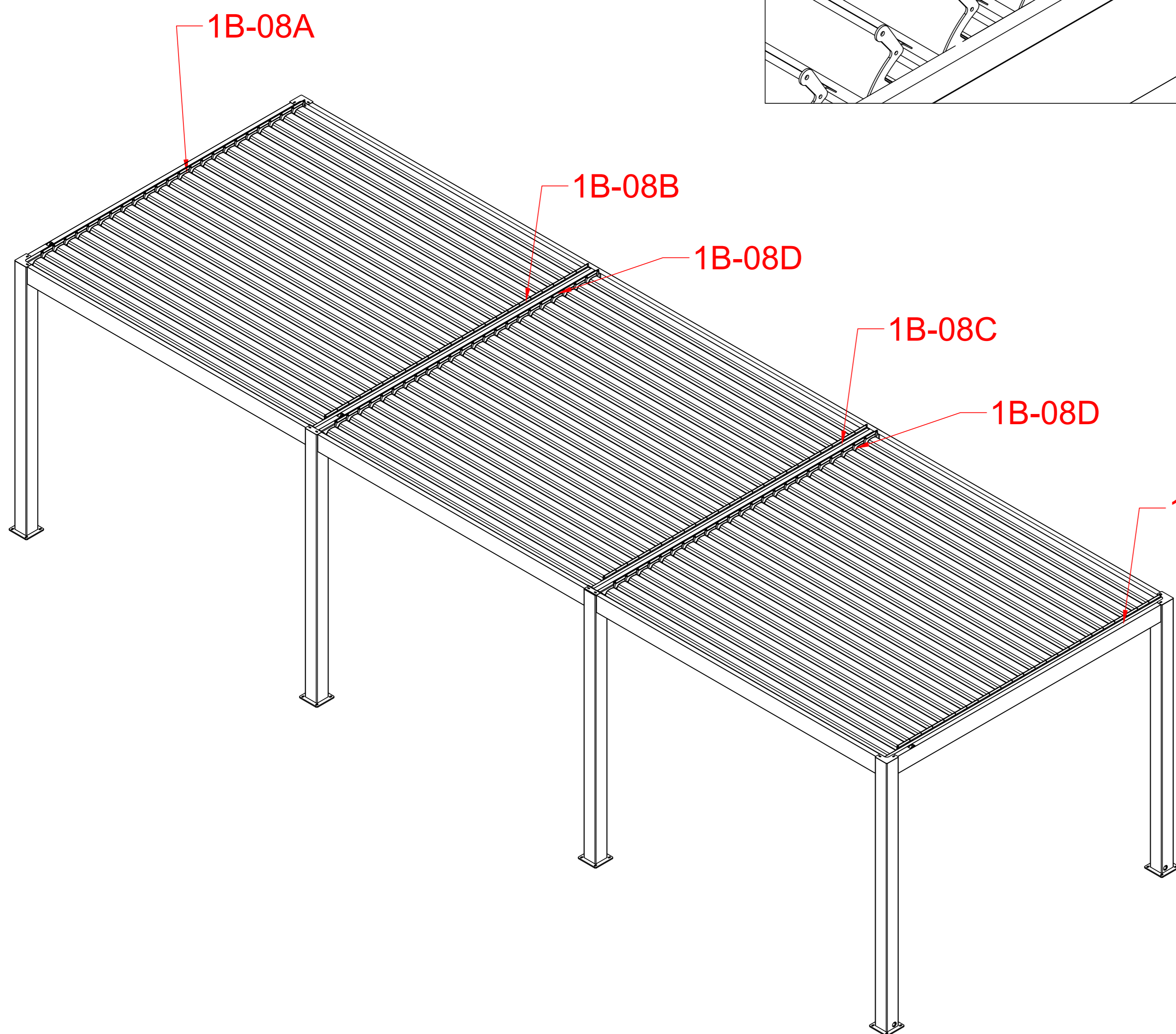
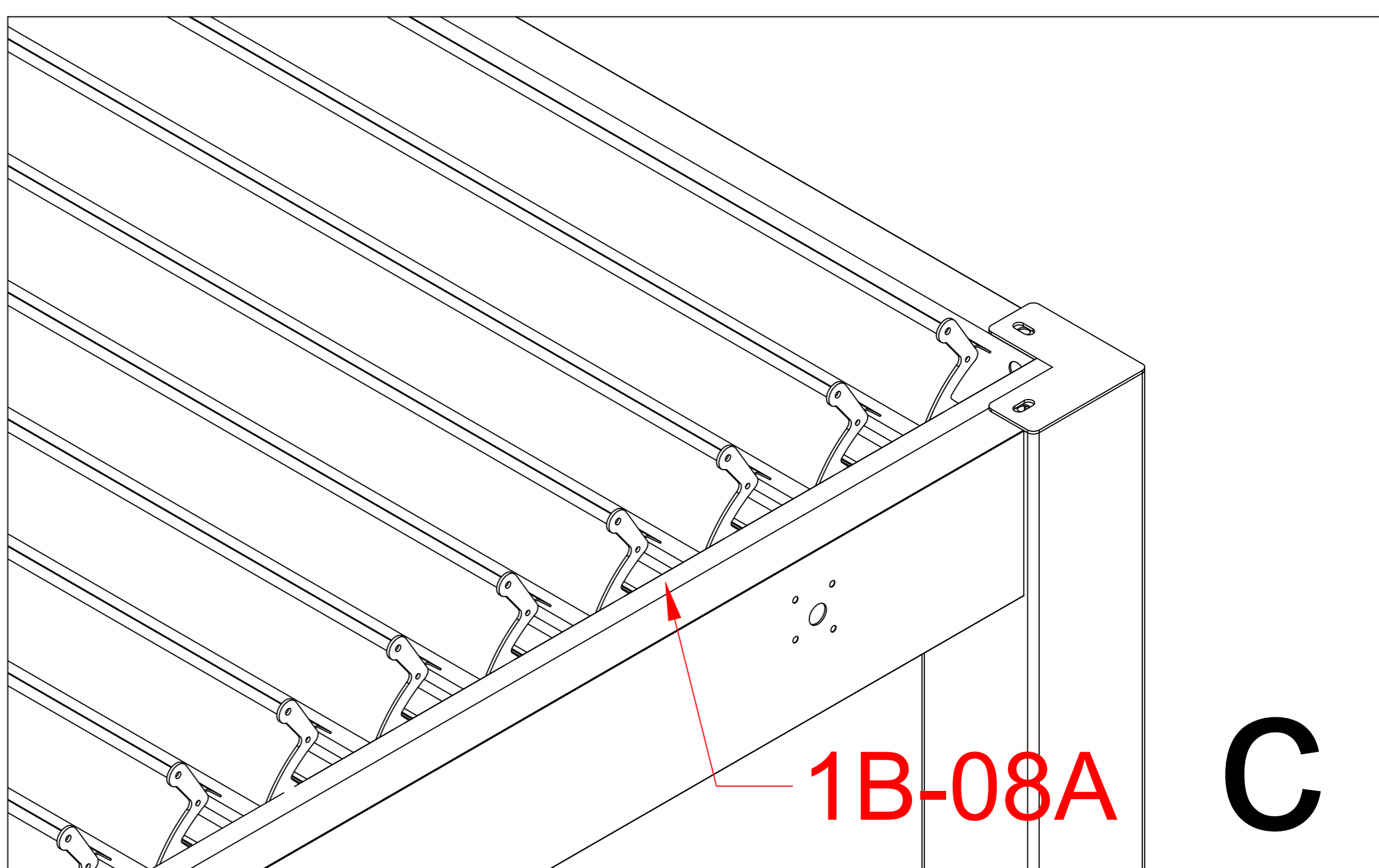
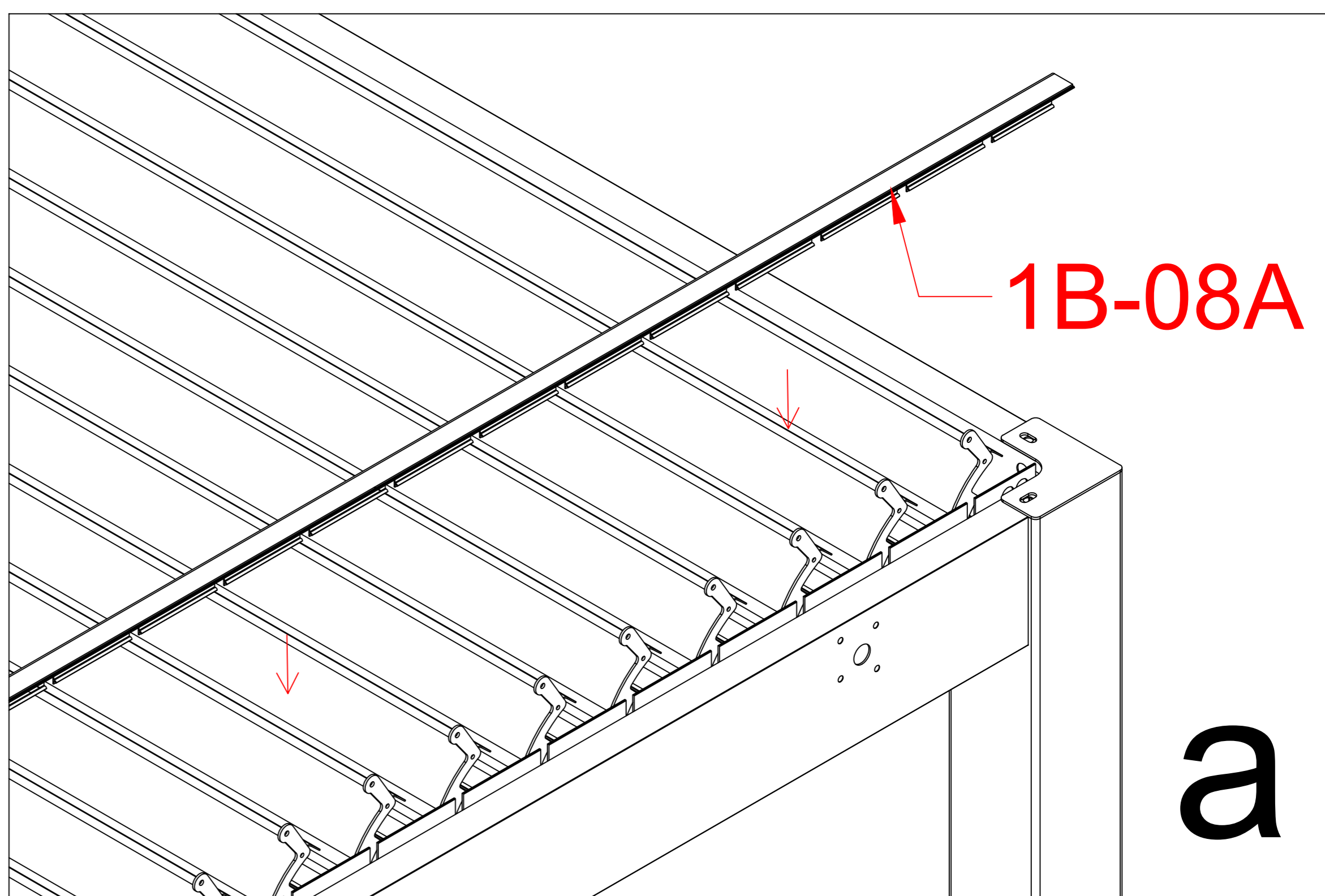
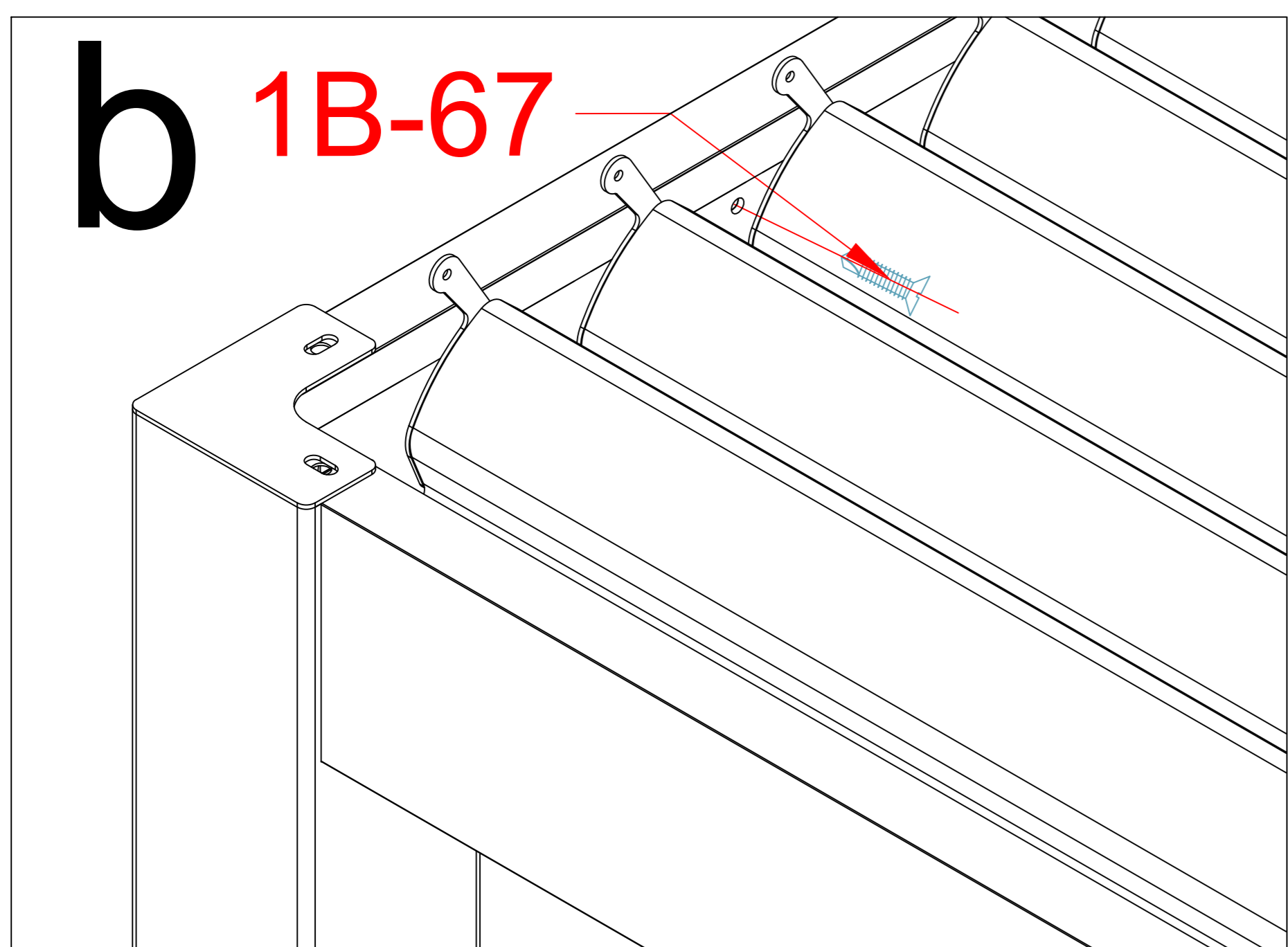
When installing louvers, first separate the two rubber gaskets and slide them to both ends of the circular shaft. Then, please ensure they are closed tightly before proceeding with the next steps of the installation.

Warning:
Simultaneous installation of louvres on both sides, and bolts must be tightened.

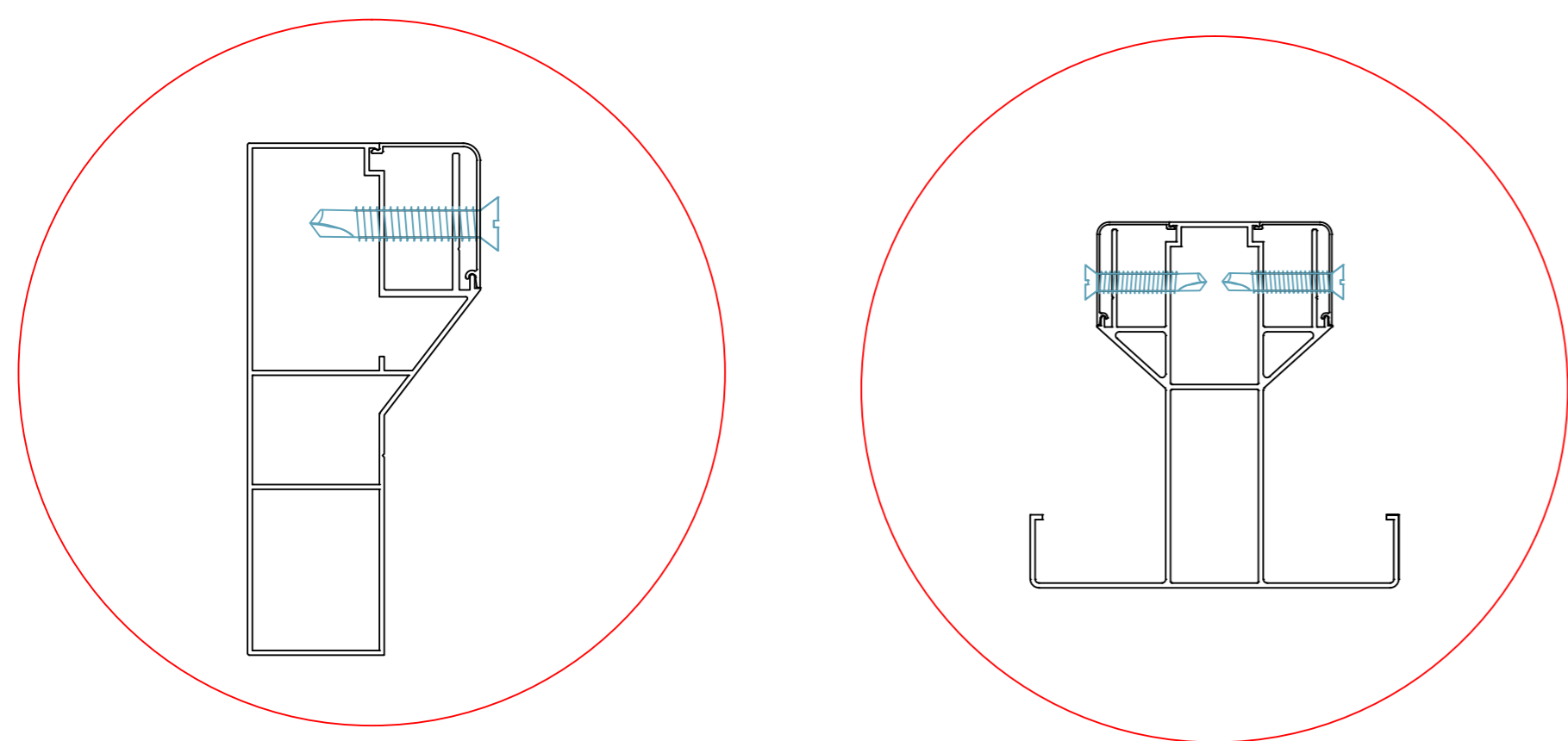


1B-20		210
1B-07		32
1B-06		64

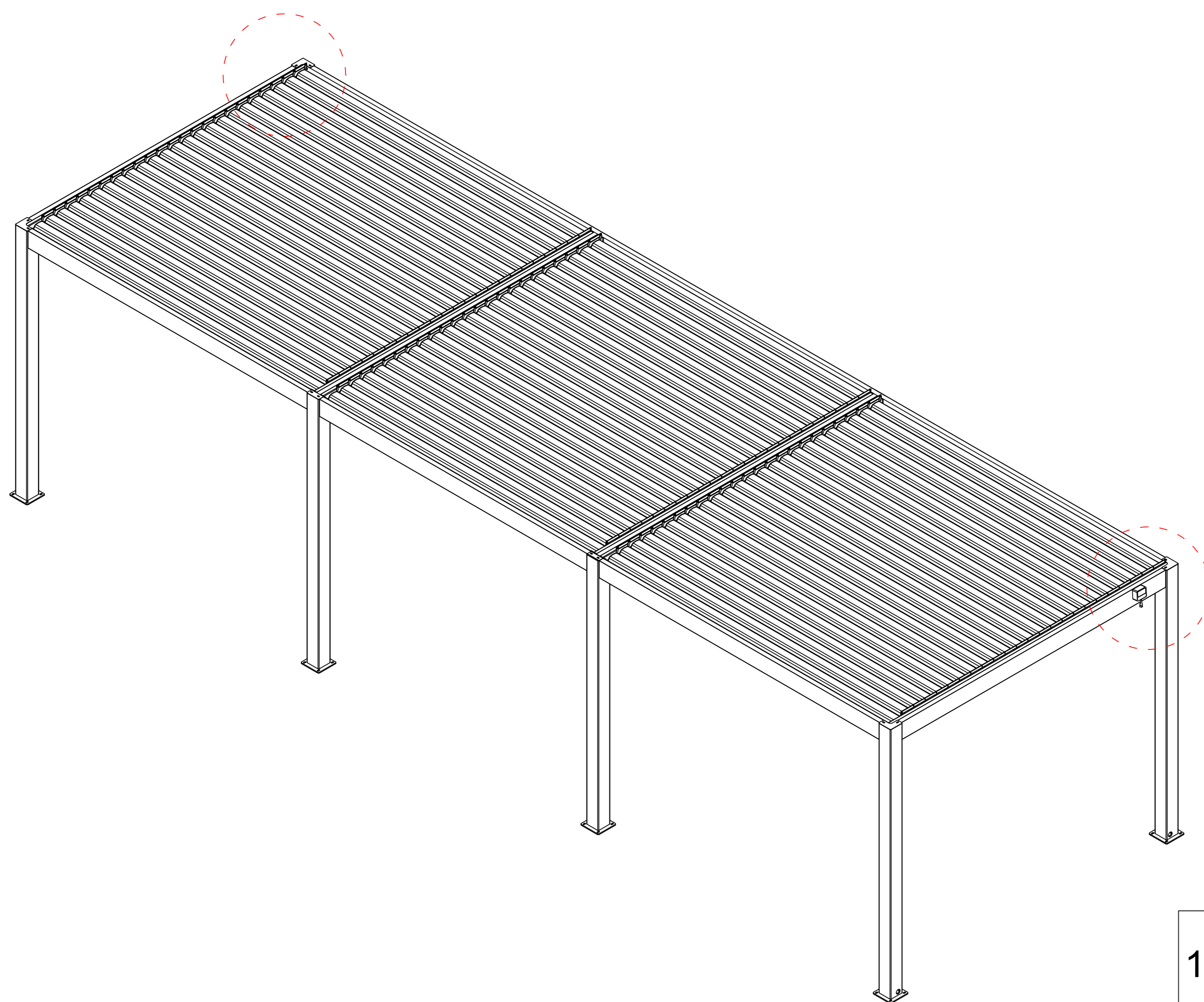
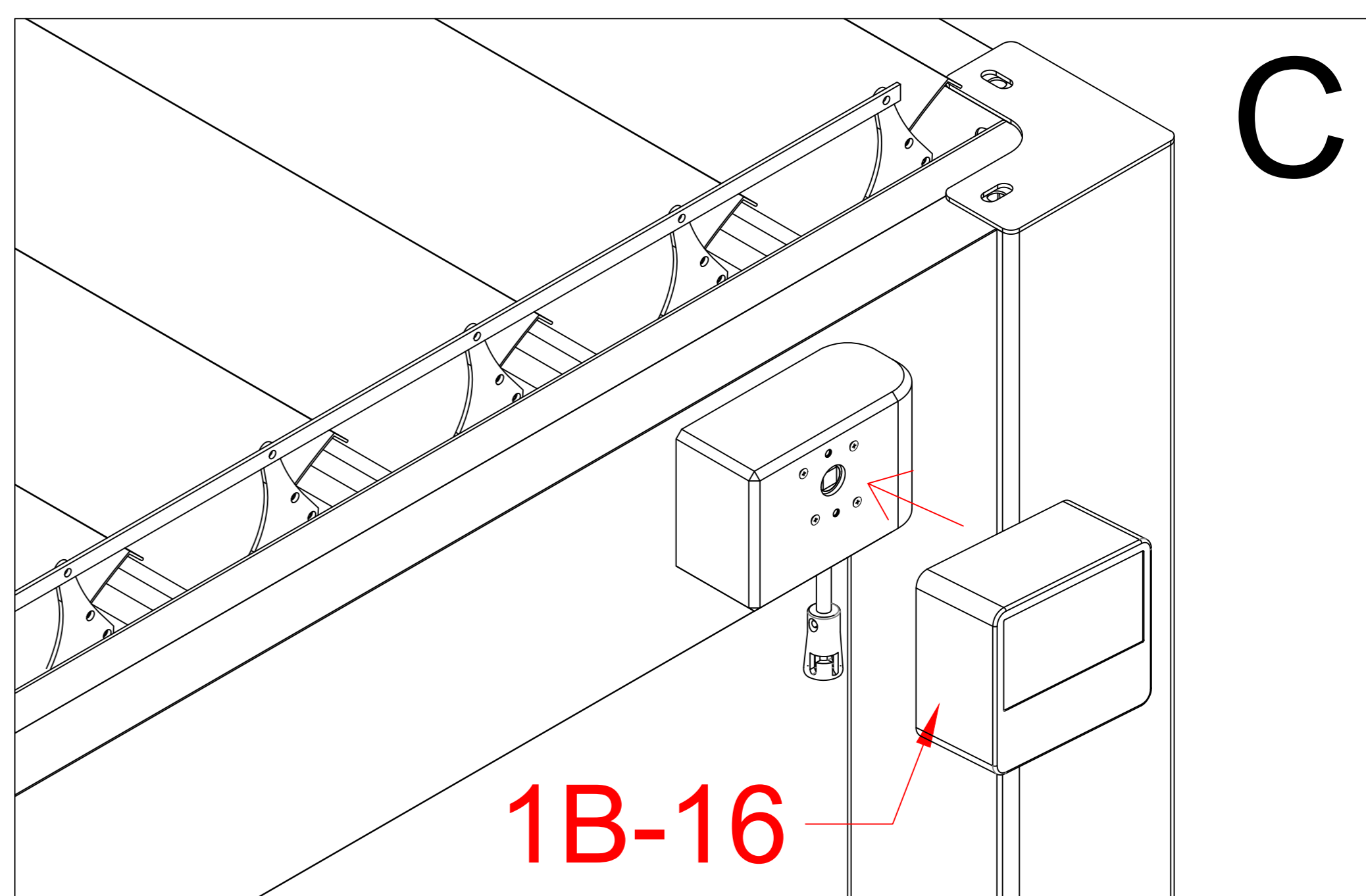
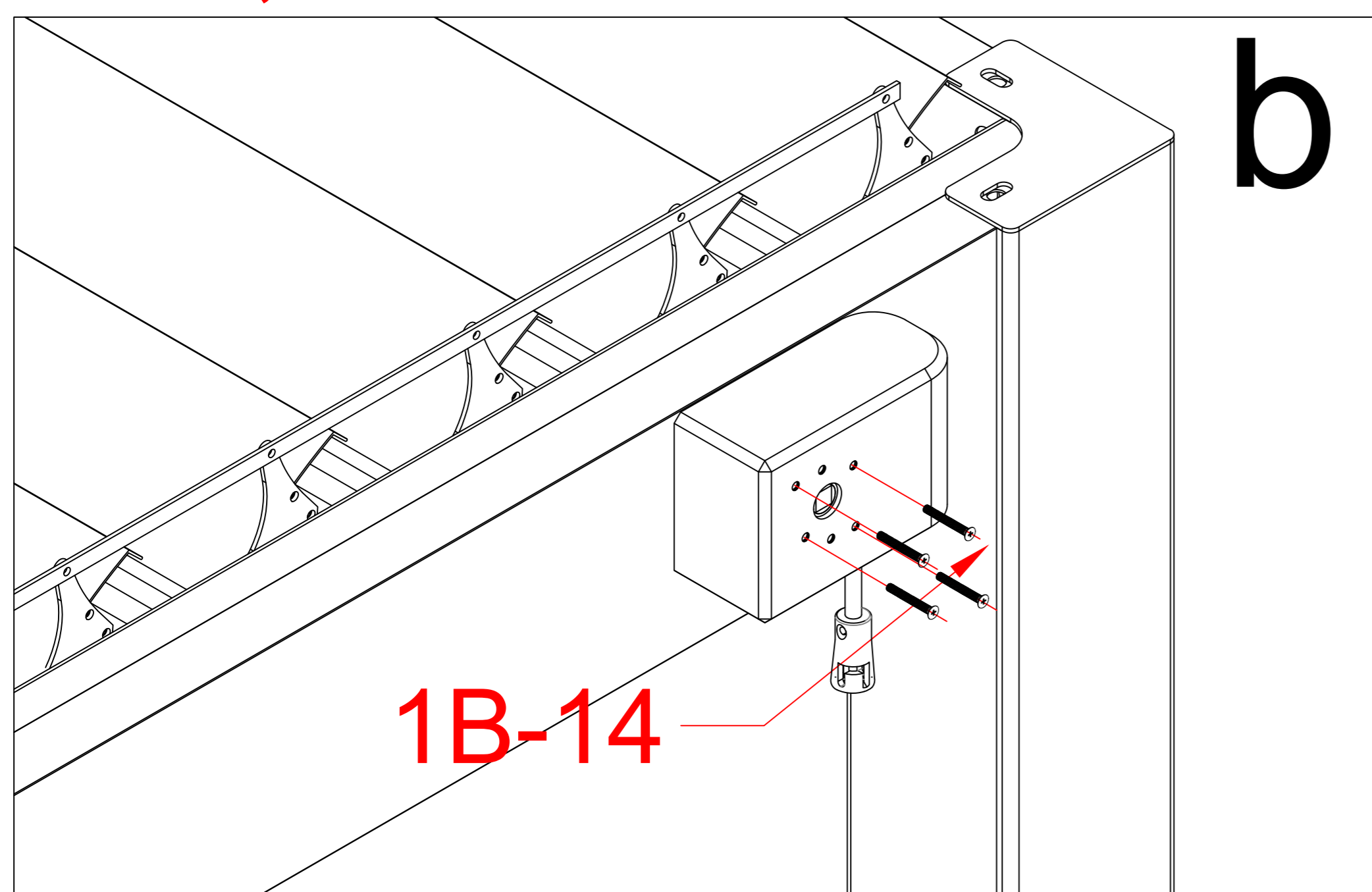
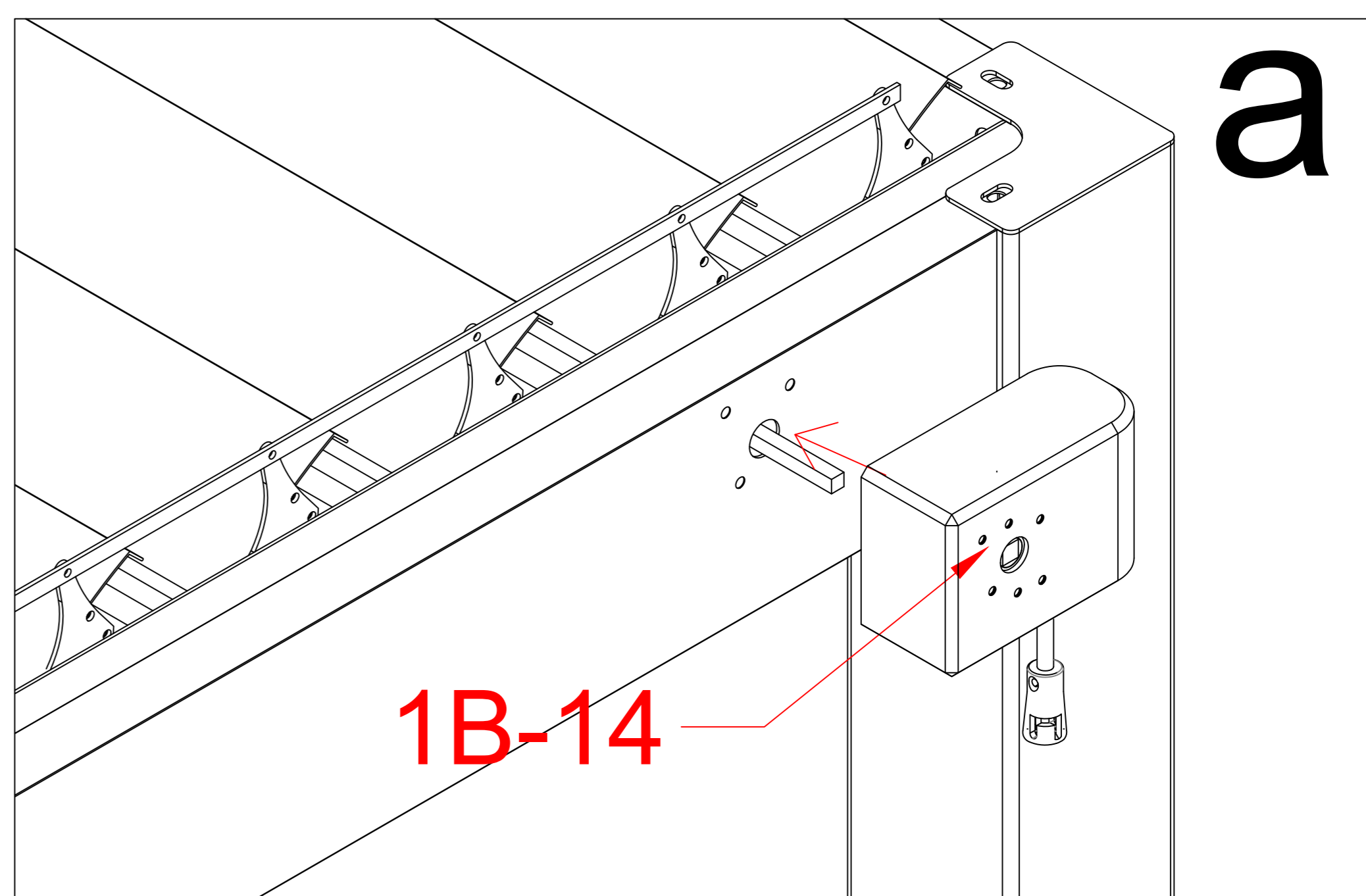


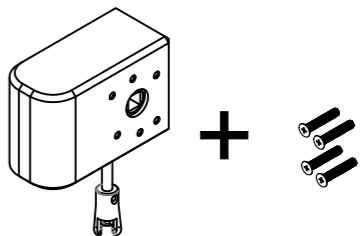

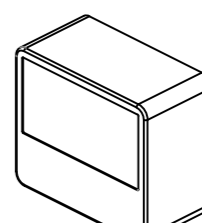


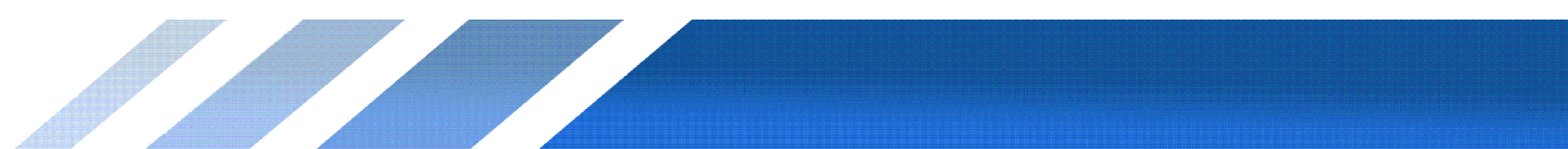
1B-67		42
1B-08A		1
1B-08B		1
1B-08C		1
1B-08D		1
1B-08E		2

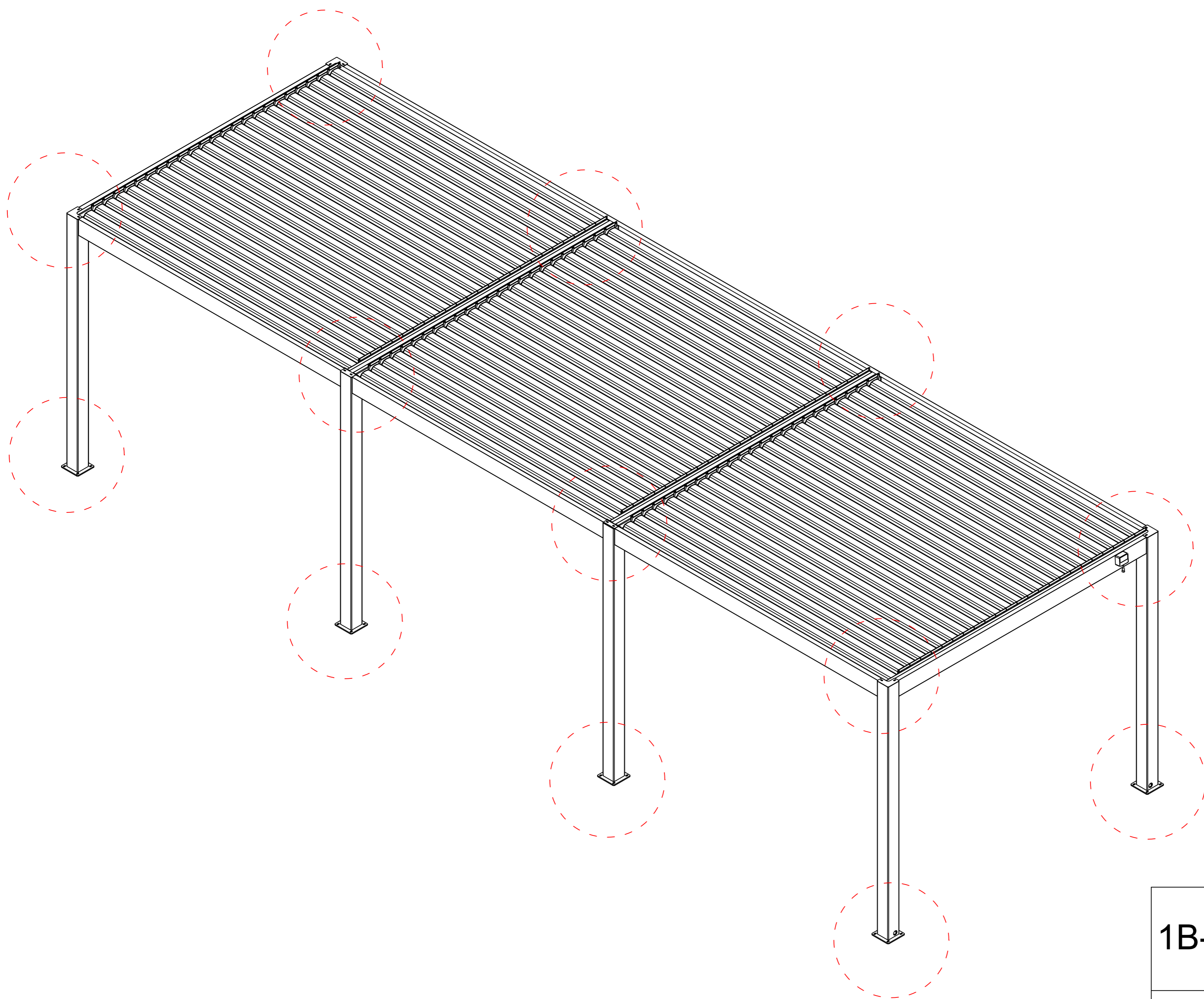
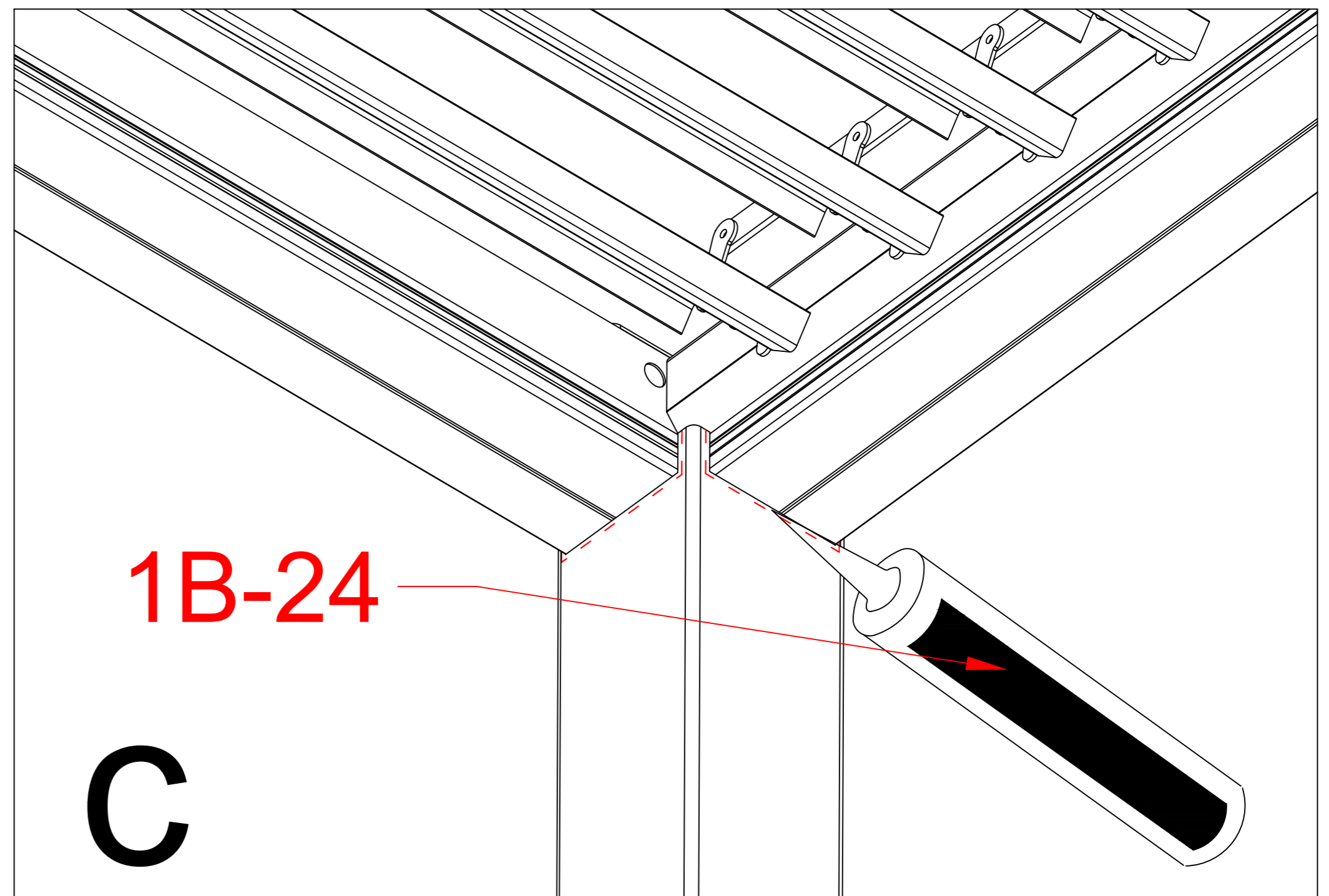
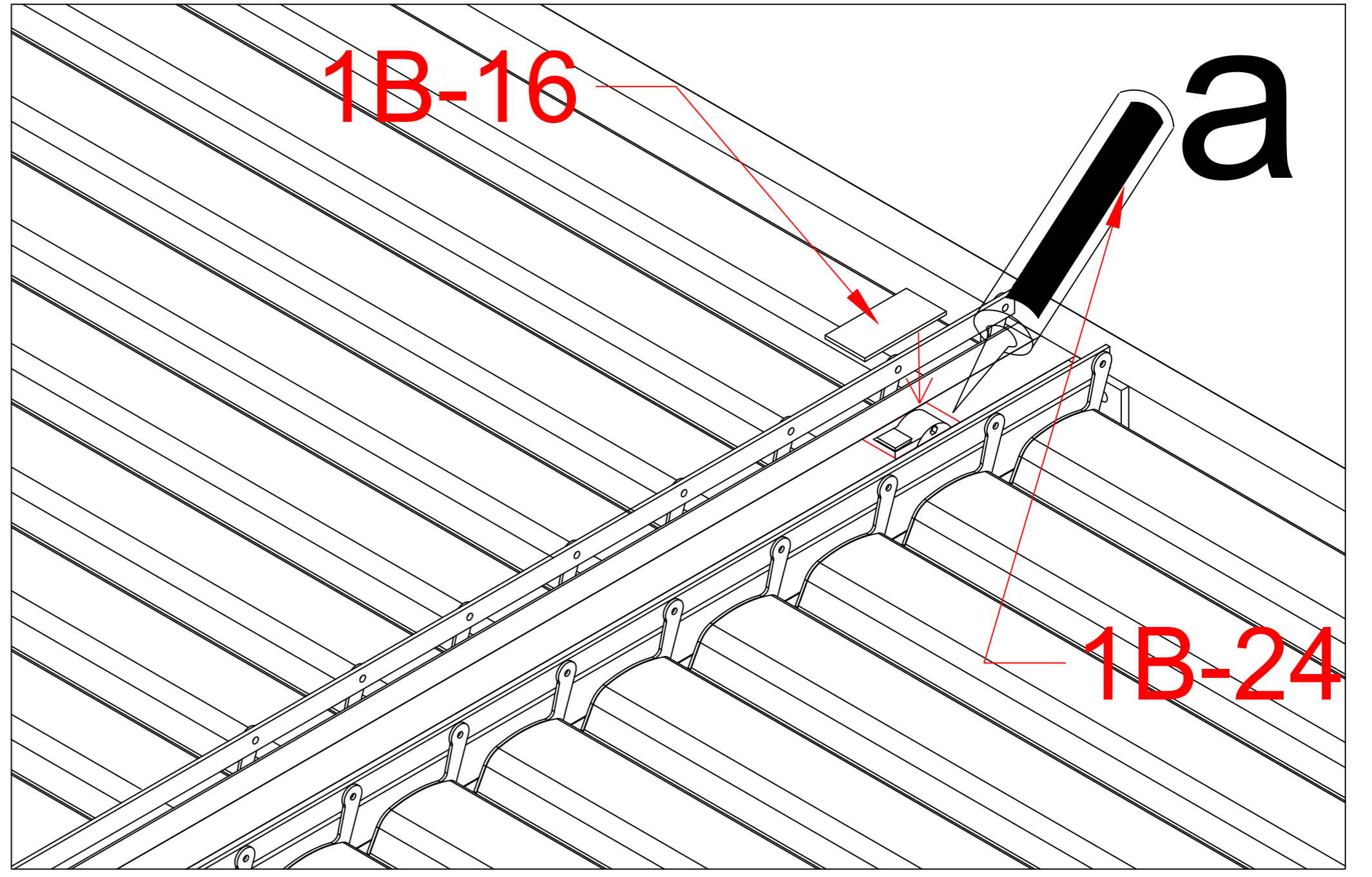
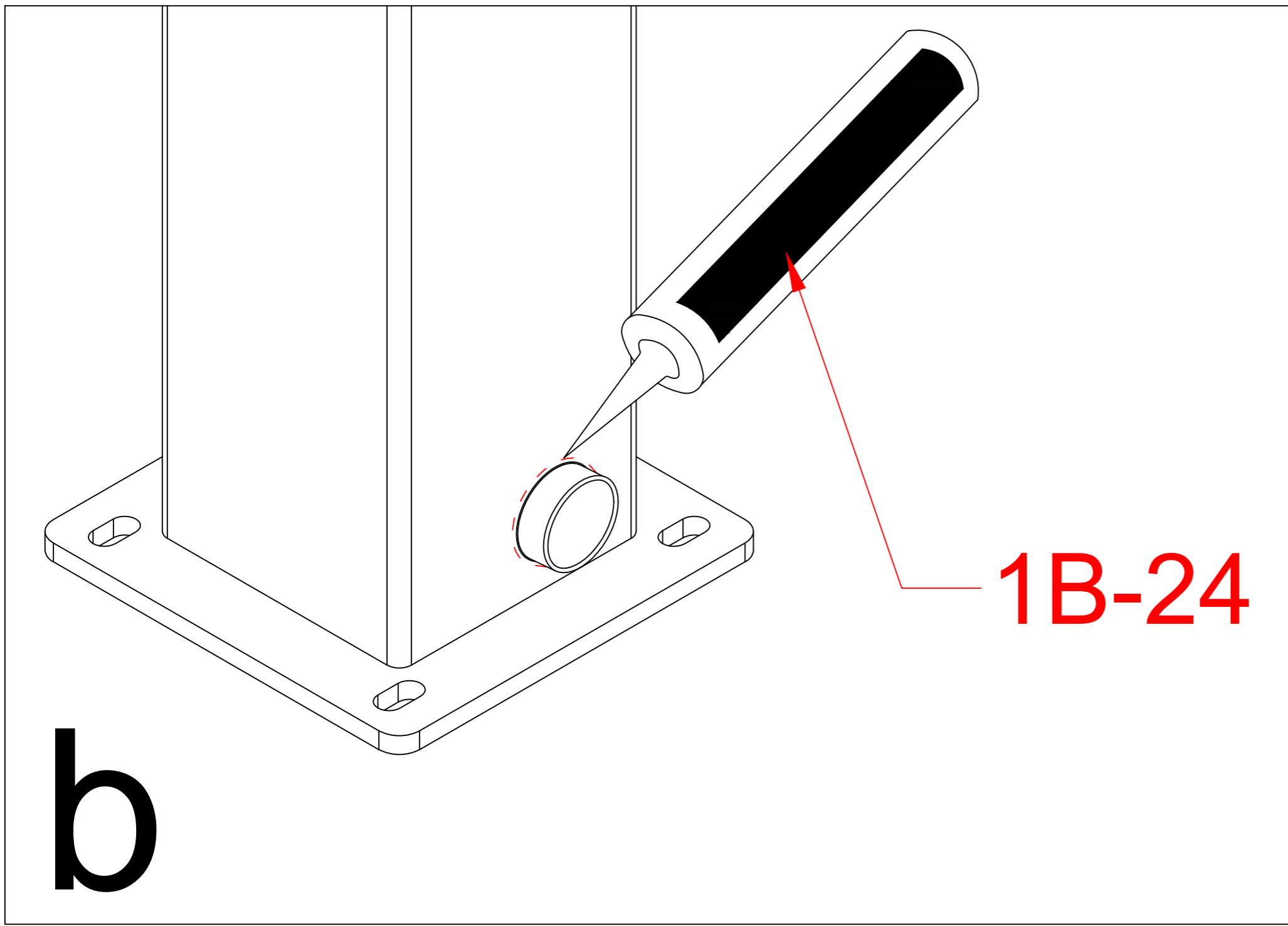


warning:
Here the screw must be hit, do not miss

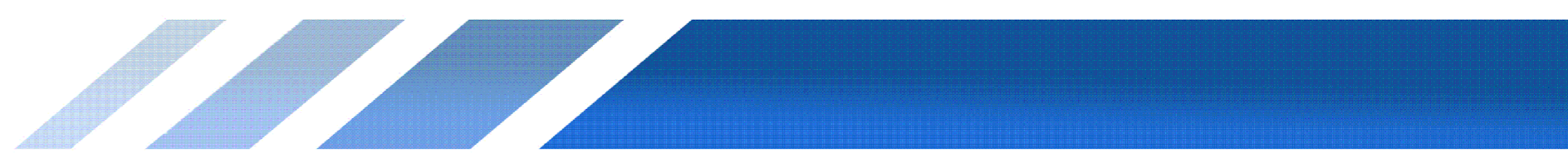


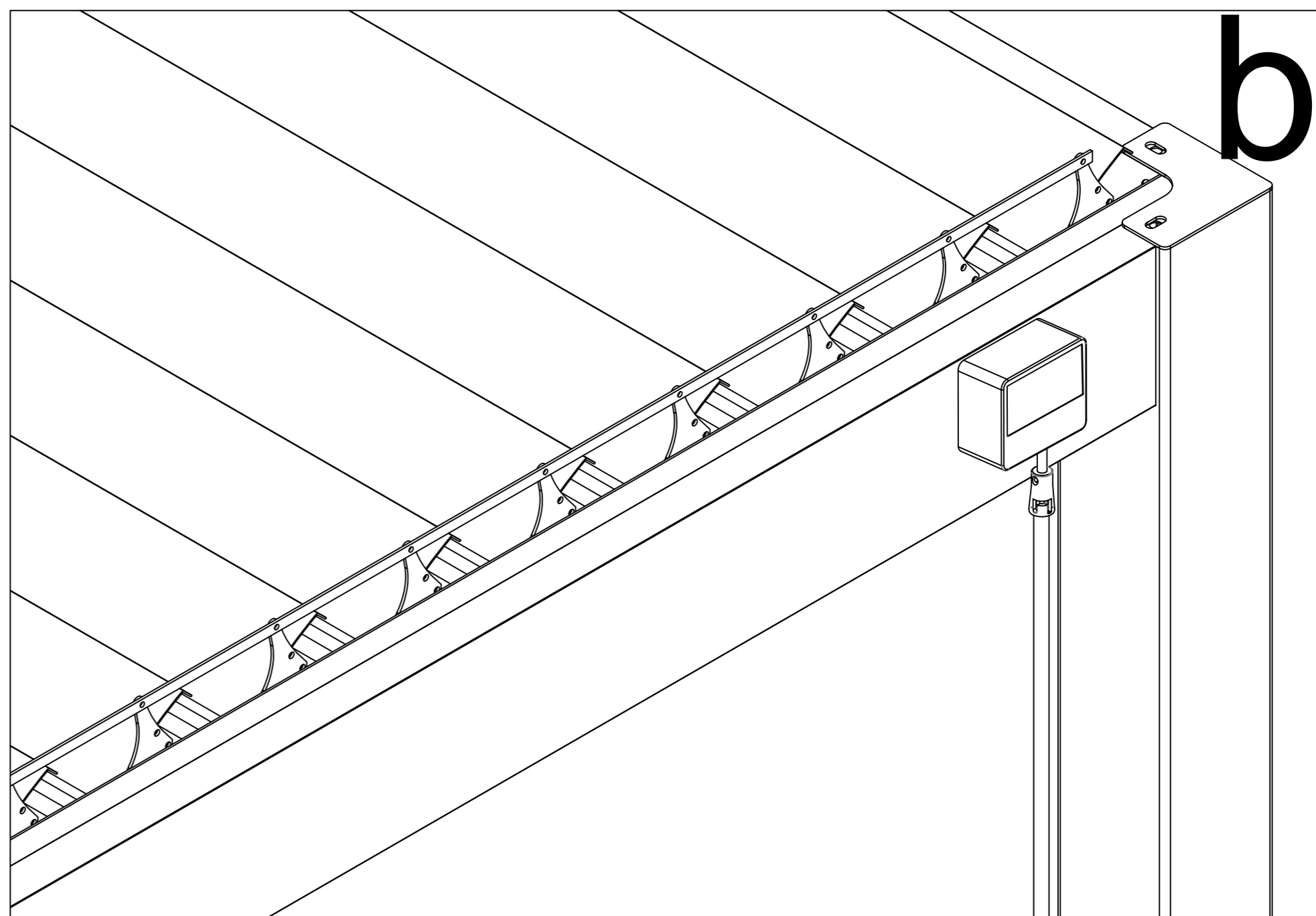
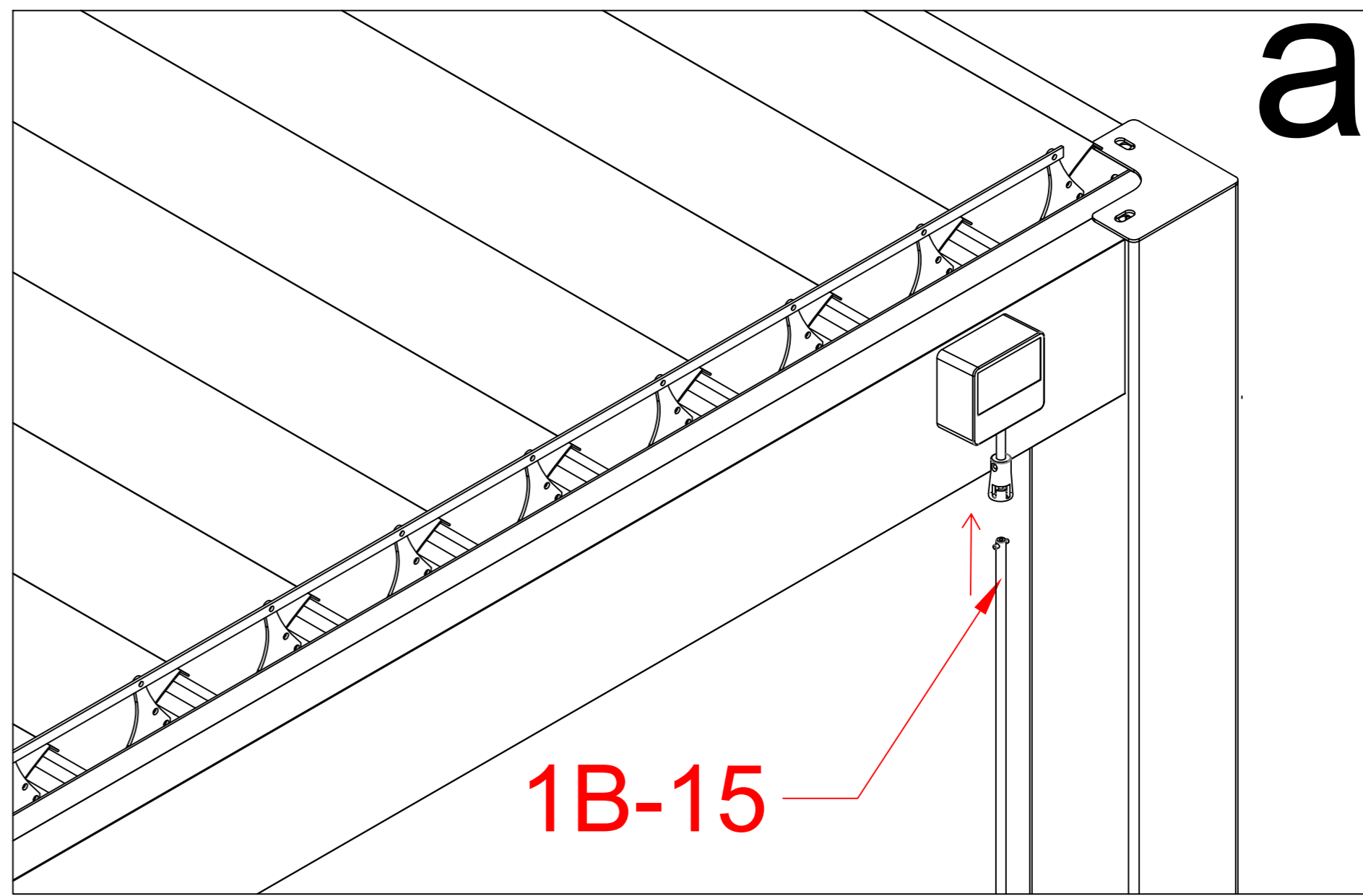
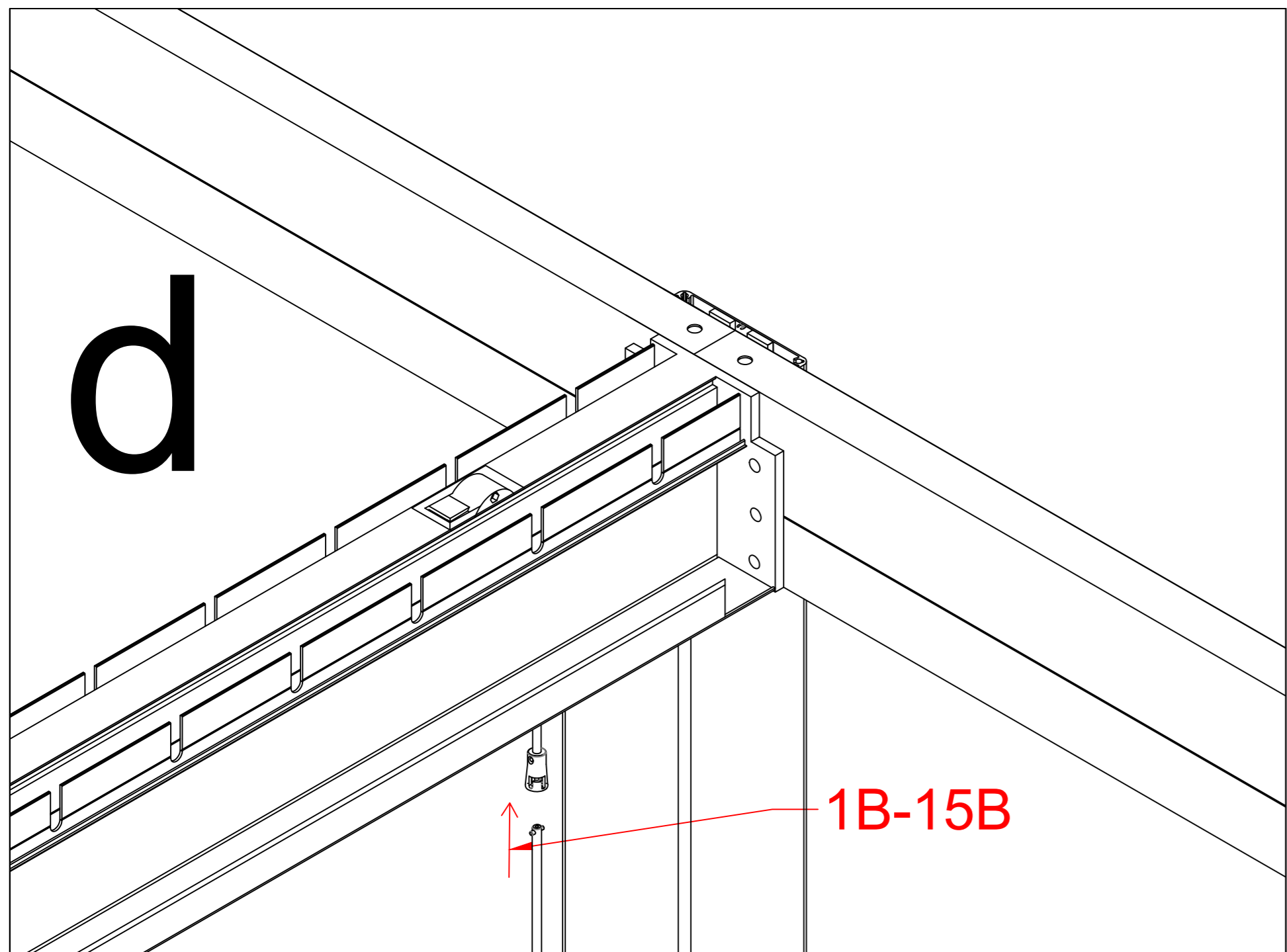
1B-14	 + 	2
1B-16		2



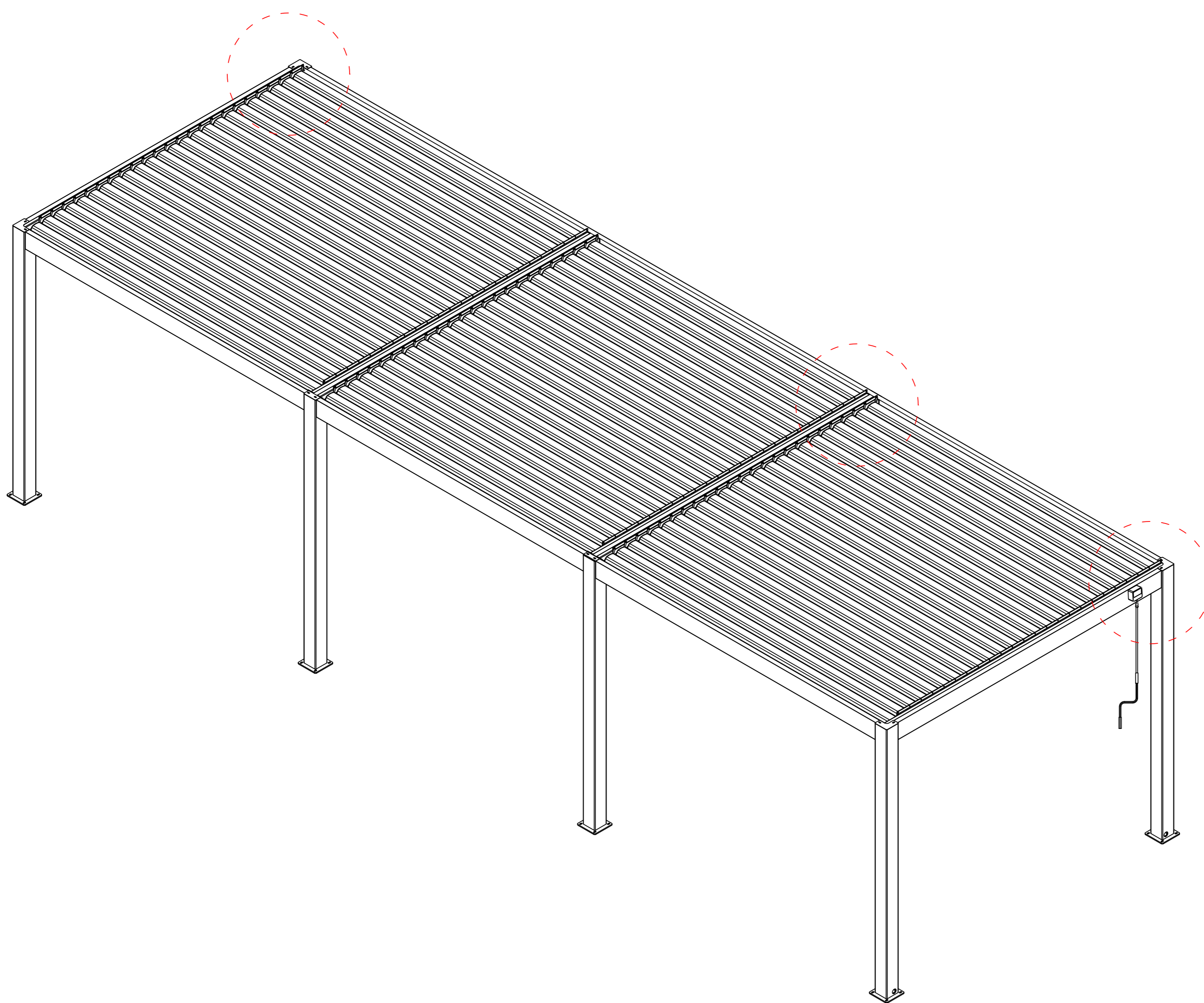


1B-17		1
1B-24		1





Warning
 In Snow / Wind season or in case
 of snow / wind forecast open up
 your shutters in vertical
 position to avoid any damaging
 on your pergola.



1B-15		3
-------	--	---

