



## KING PERGOLA FREE STANDING 6 POSTS

**3×8m**





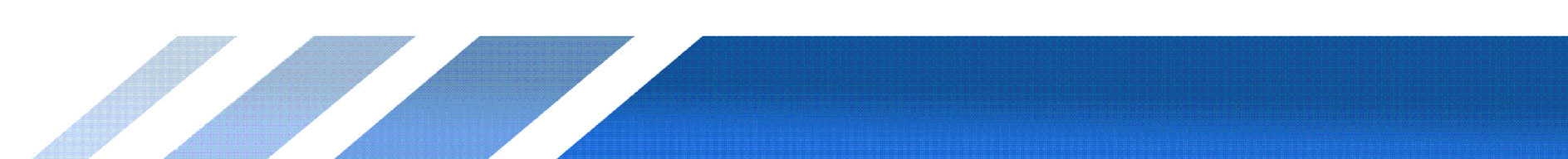
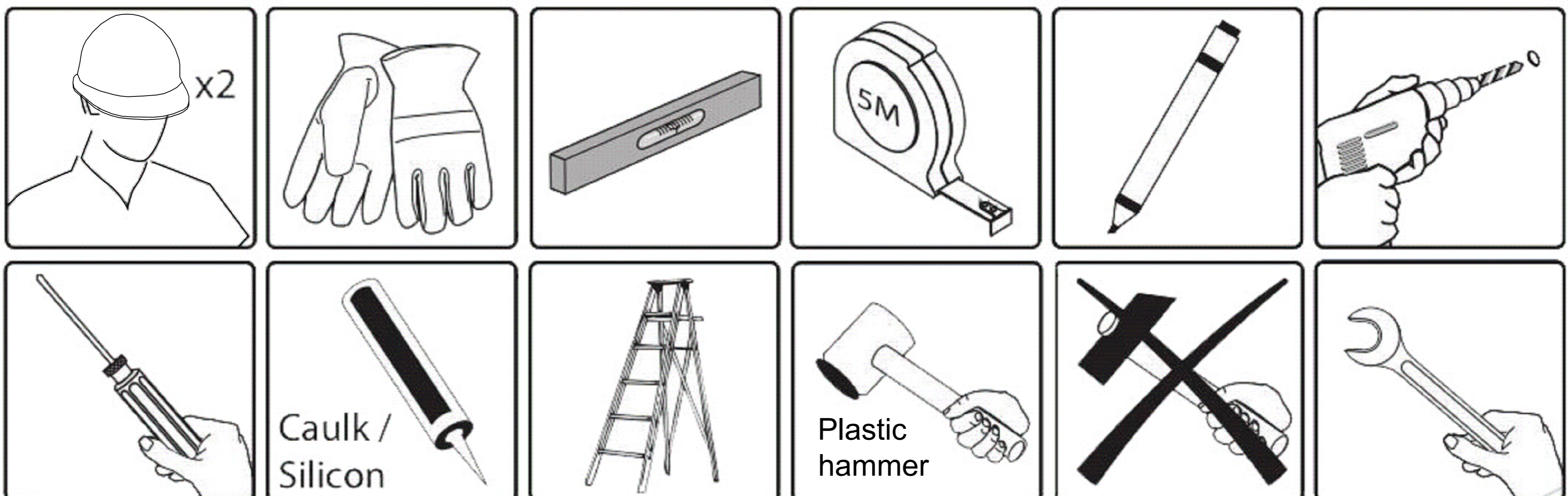
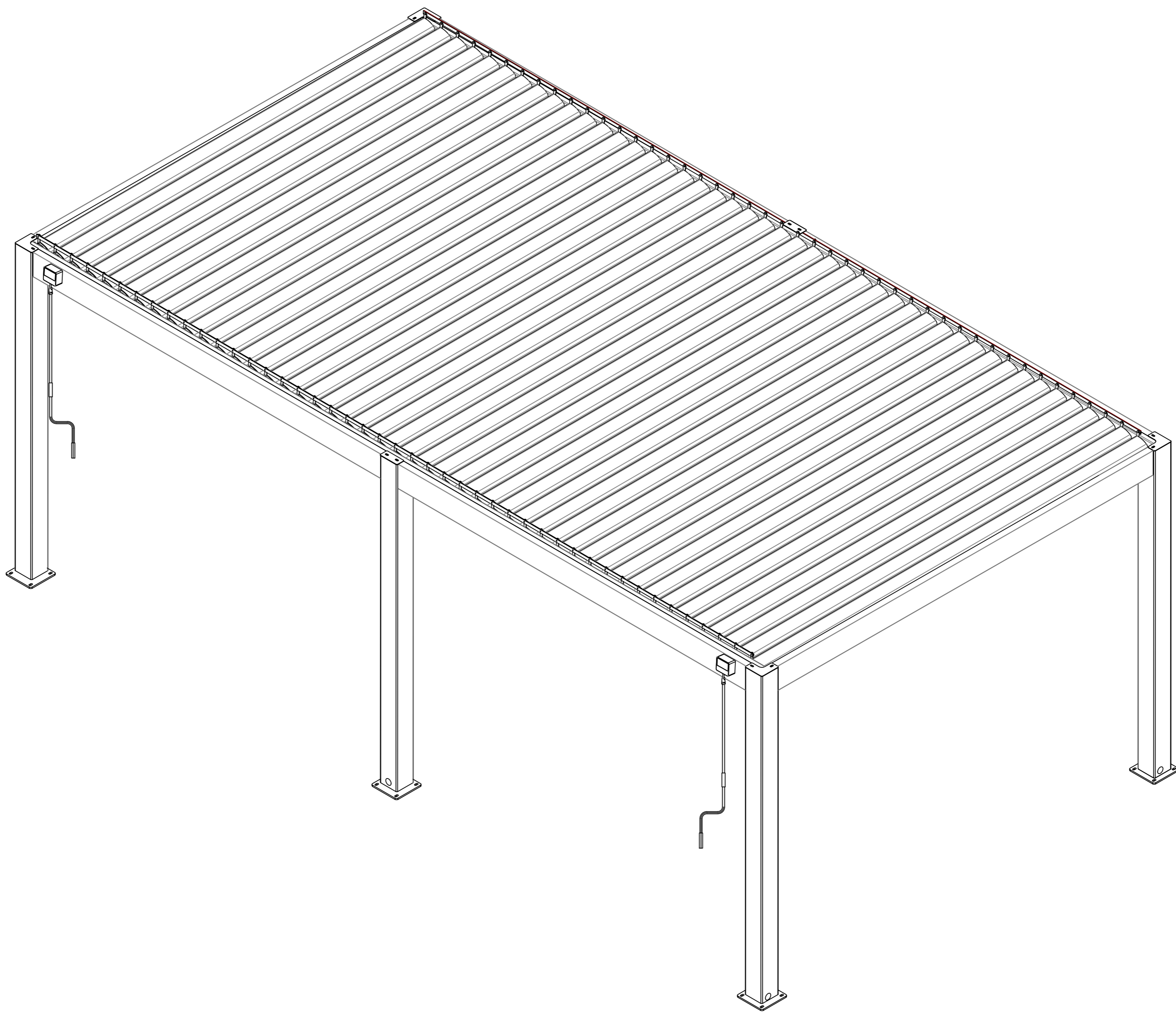
## Installation and Wind Management Guidelines

### 1. Installation on Various Surfaces

For WPC (Wood Plastic Composite), antiseptic wood, ceramic, or stone flooring, it is essential to either concrete the post directly or construct a 50cm concrete foundation beneath the base plate to secure it firmly.

### 2. Wind Management

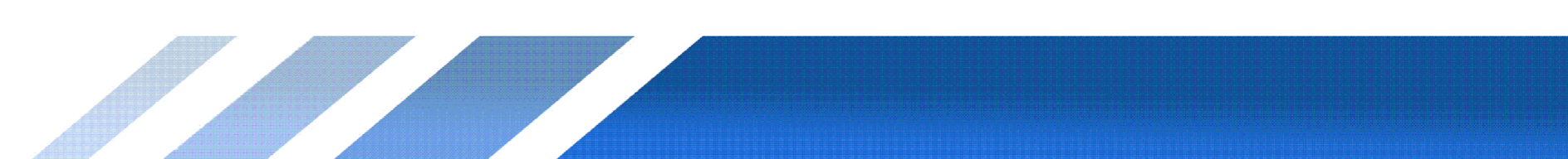
In the event of strong winds, the louvers must be opened to maintain proper air circulation and minimise wind resistance.”



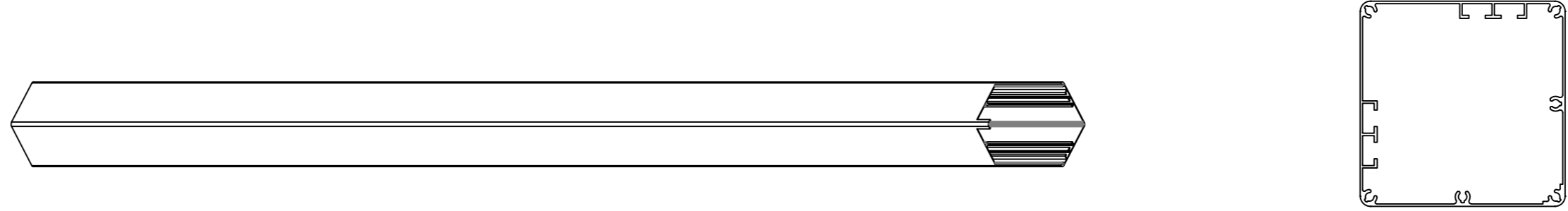
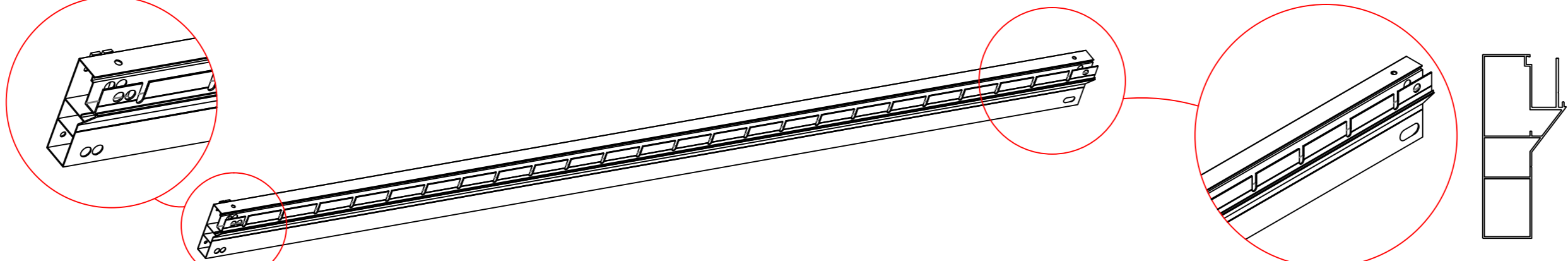
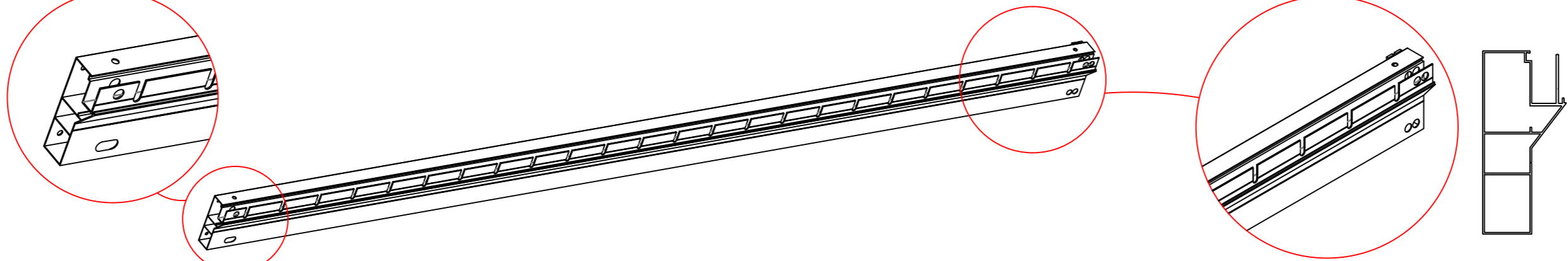
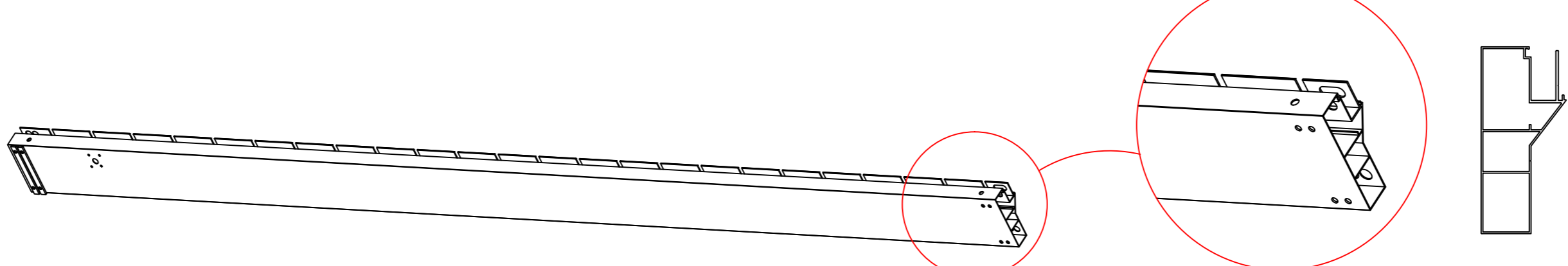
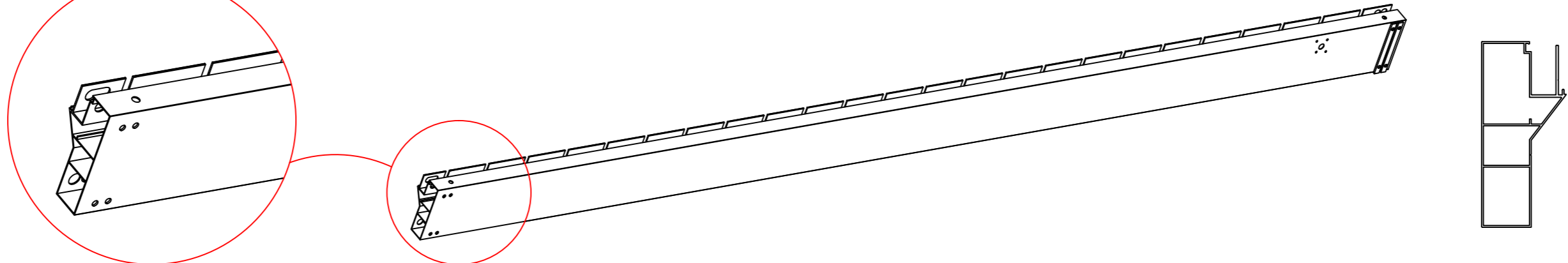
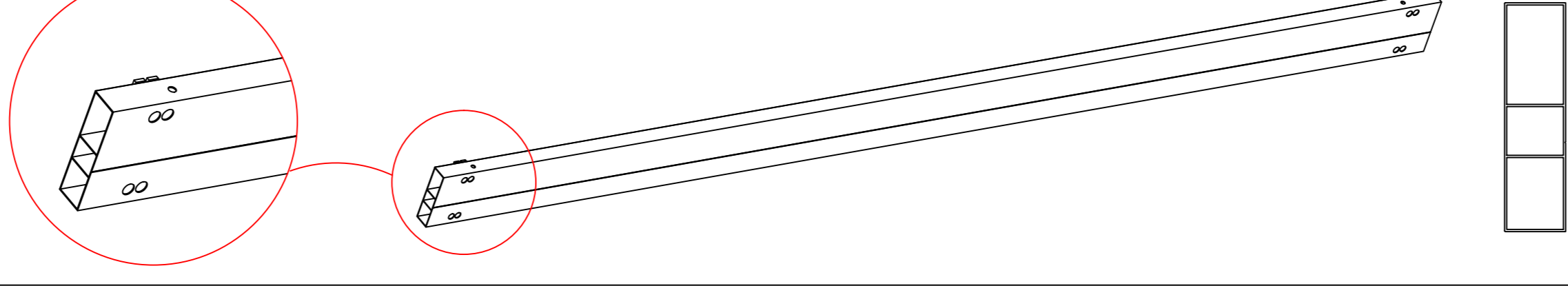
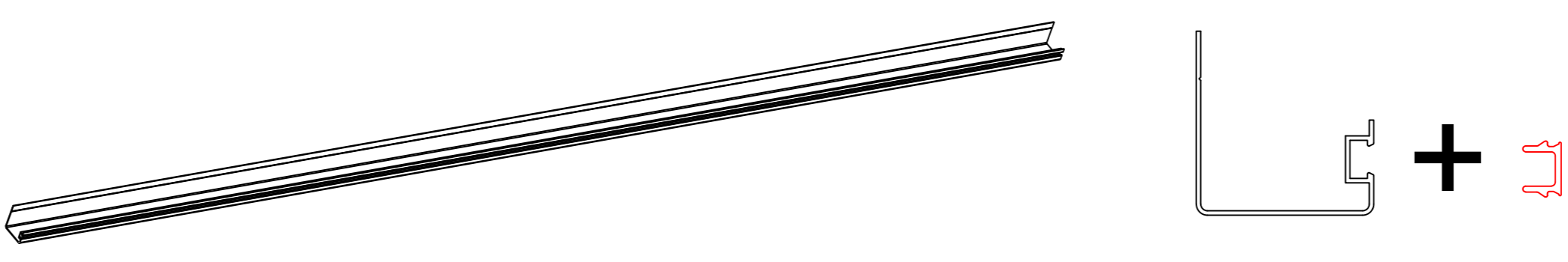
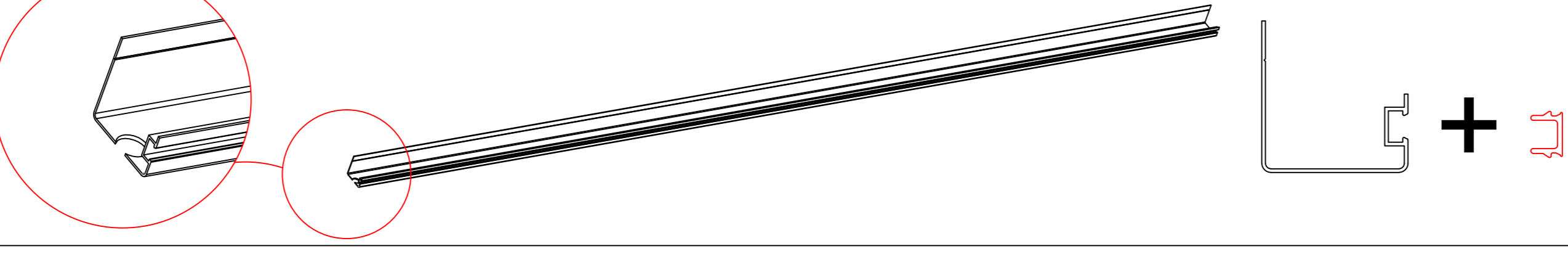
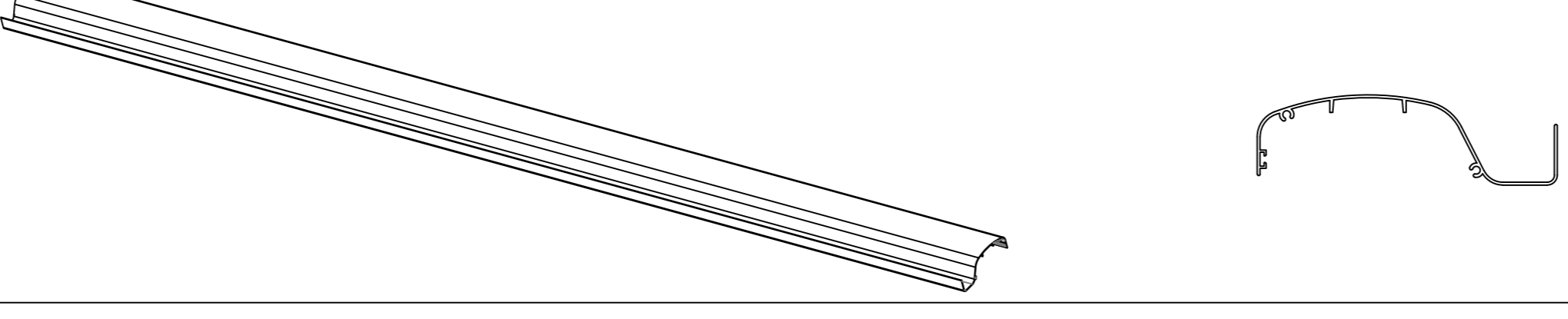


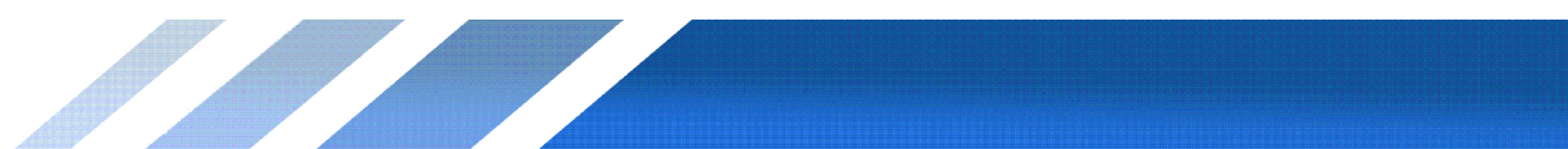
# 3×8m

	Item	Qty	Item	Qty	Item	Qty
Carton 1/7	1B-01	4				
Carton 2/7	1B-27	2	1B-51	268+	1B-11	4
	1B-12	4	1B-13	4	1B-13B	2
	1B-14	2	1B-15	2	1B-18	1
	1B-19	12+	1B-20	134+	1B-21	24+
	1B-22	36+	1B-23	28+	1B-24	1
	1B-26	2	1B-16	2	1B-32	2
	1B-33	2	1B-48	67+	1B-49	65+
	1B-50	2	1B-45	4	1B-46	8
	1B-63	4	1B-67	28+		
Carton 3/7	1B-02	1	1B-02-2	1	1B-03	1
	1B-03-2	1	1B-29	4	1B-05	2
	1B-05-2	4	1B-08A	1	1B-08B	1
	1B-08C	1	1B-08D	1	1B-09	4
Carton 4/7	1B-06	23				
Carton 5/7	1B-06	24				
Carton 6/7	1B-06	12				
Carton 7/7	1B-06	8	1B-04	2		

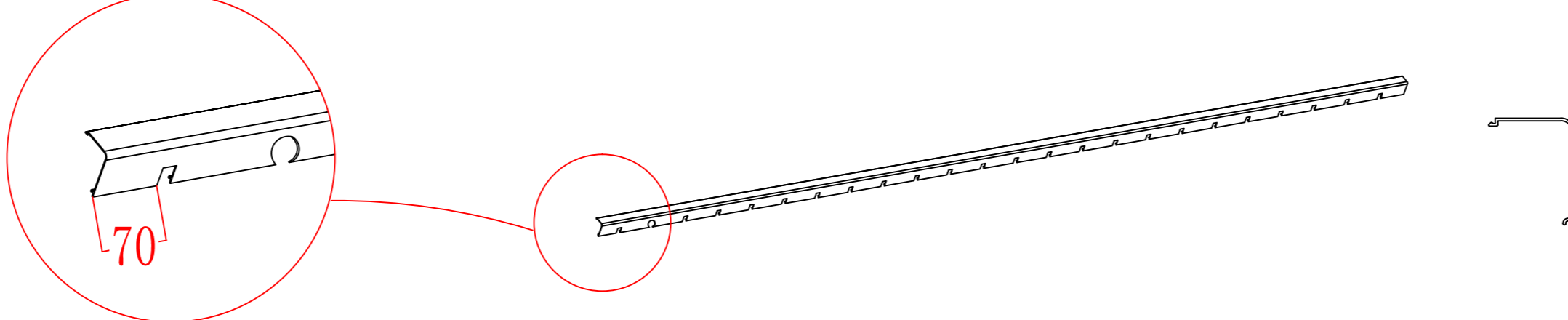
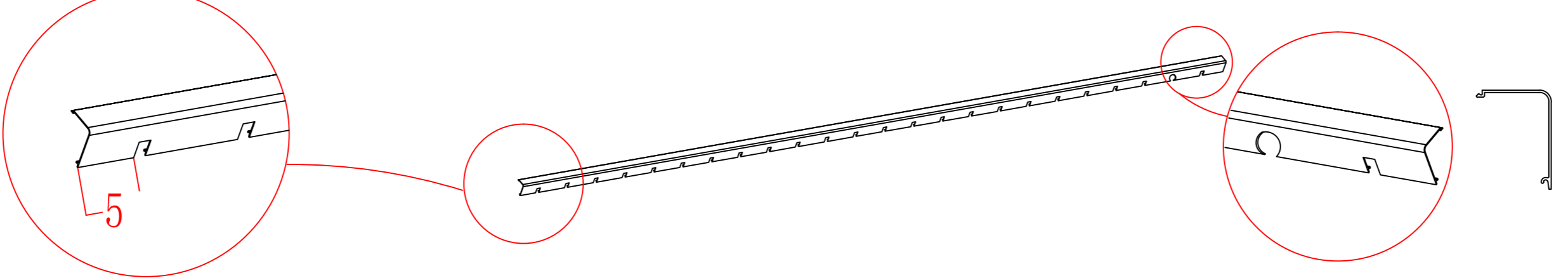
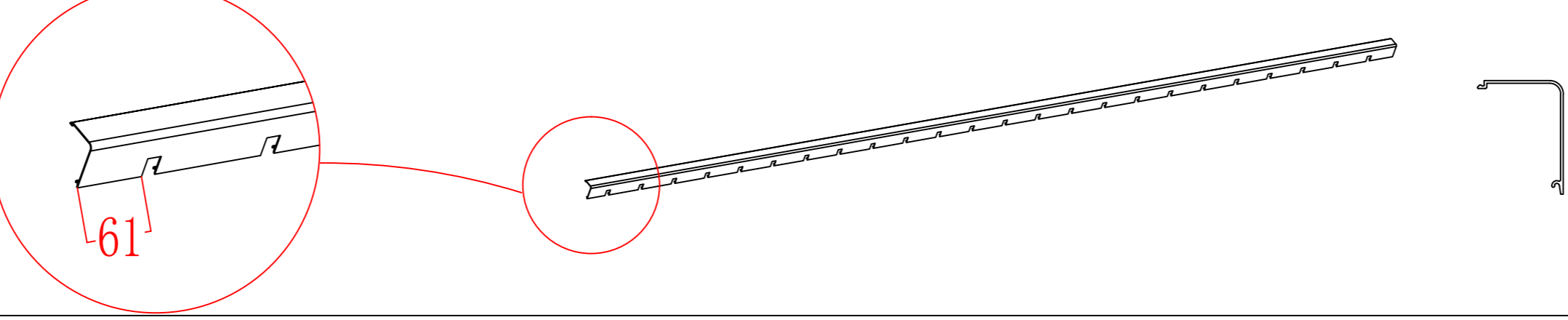
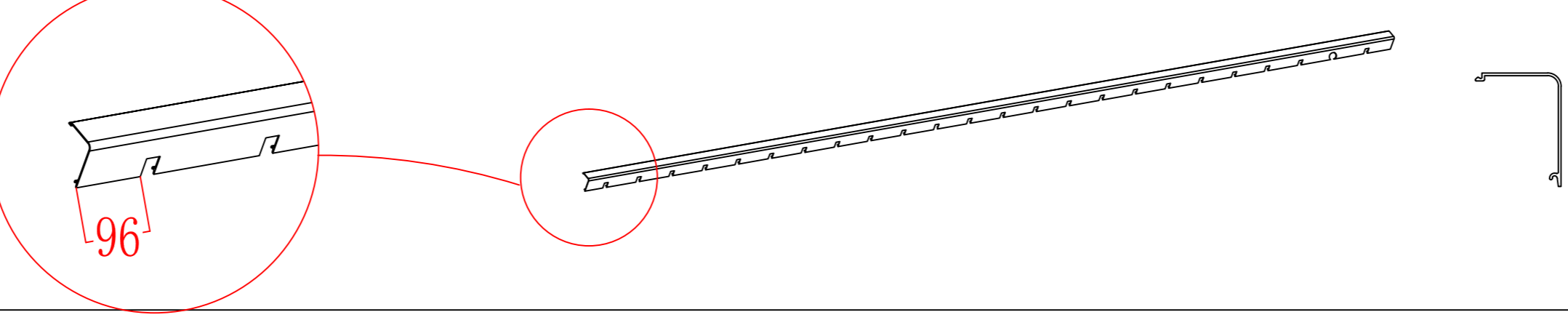
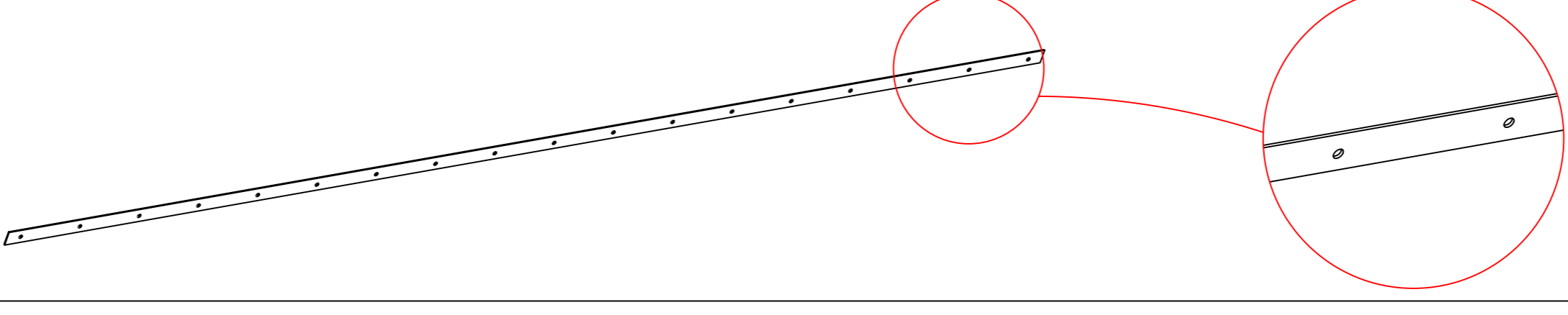
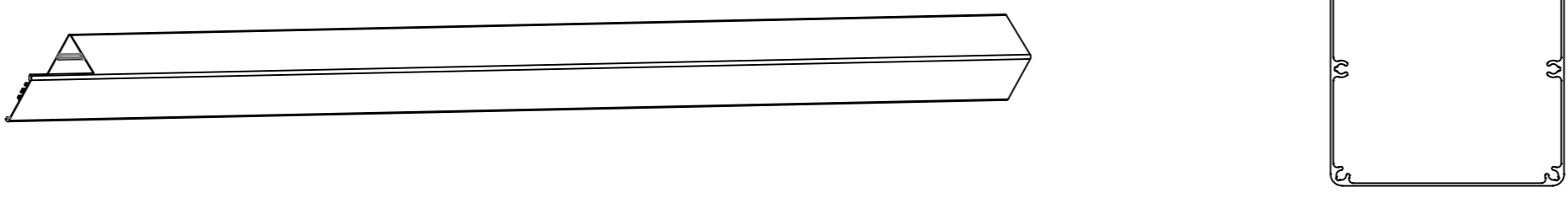
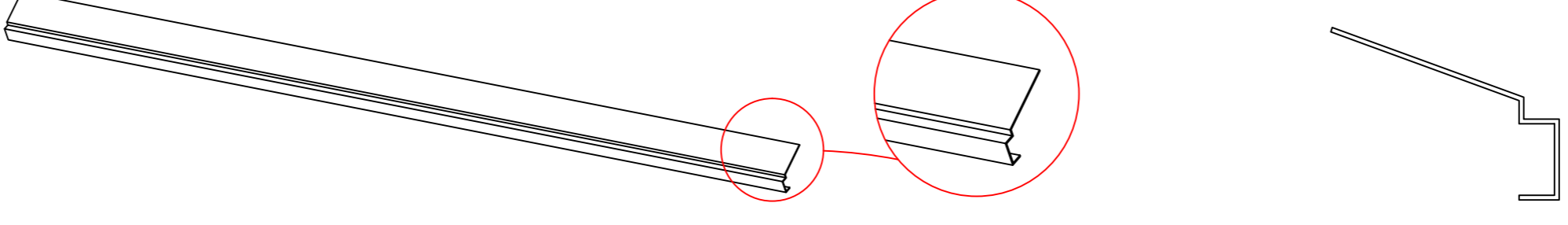


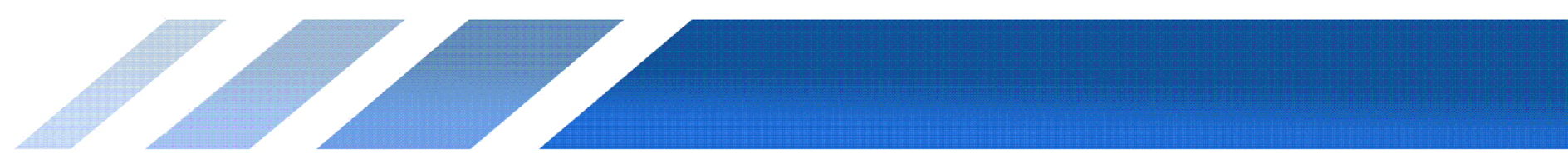


Item	Drawings	Qty
1B-01		4
1B-02		1
1B-02-2		1
1B-03		1
1B-03-2		1
1B-04		2
1B-05		2
1B-05-2		4
1B-06		67





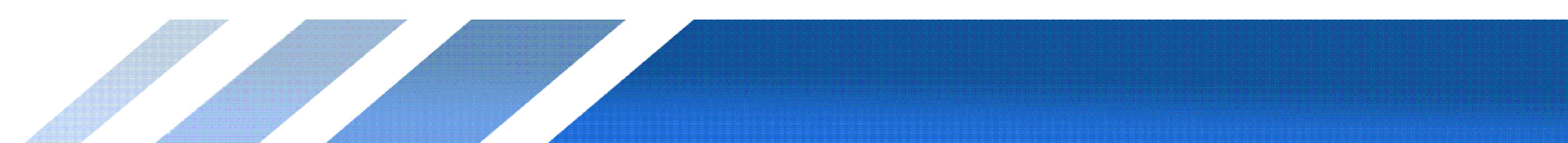
Item	Drawings	Qty
1B-08A		1
1B-08B		1
1B-08C		1
1B-08D		1
1B-09		4
1B-27		2
1B-29		4





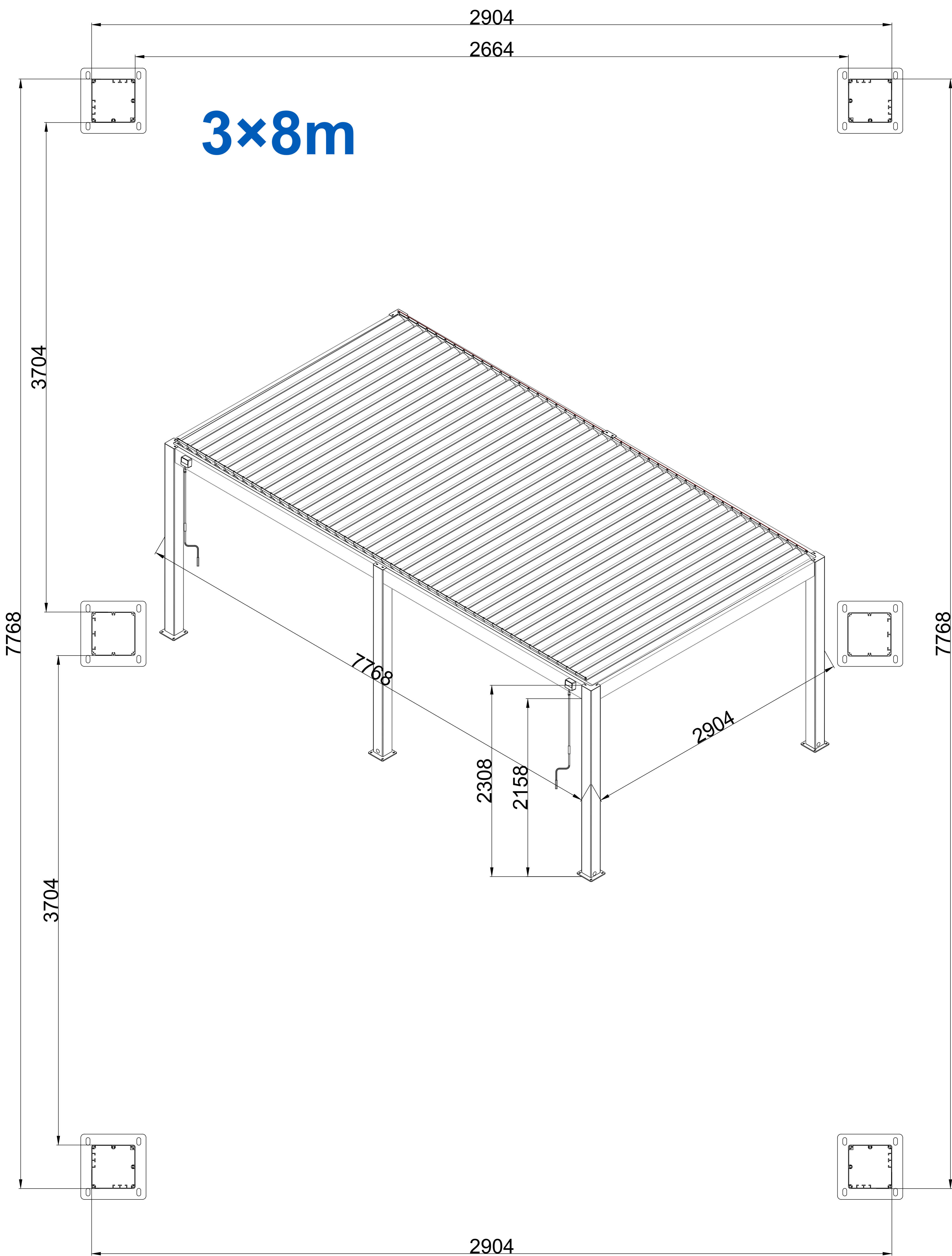
Item	Drawings	Qty
1B-11		4
1B-12		4
1B-13		4
1B-13B		2
1B-14		2
1B-15		2
1B-18		1
1B-19	 M8*20	12+
1B-20		134+
1B-21	 M10*80	24+
1B-22	 M5.5*50	36+
1B-23	 M4.2*19	28+
1B-67	 M4.2*50	28+

Item	Drawings	Qty
1B-24		1
1B-26		2
1B-32		2
1B-33		2
1B-16		2
1B-48		67+
1B-49		65+
1B-50		2
1B-51	 M3.5*25	268+
1B-45	 M8*12	4
1B-46	 Φ12-M8*12	8
1B-63		4

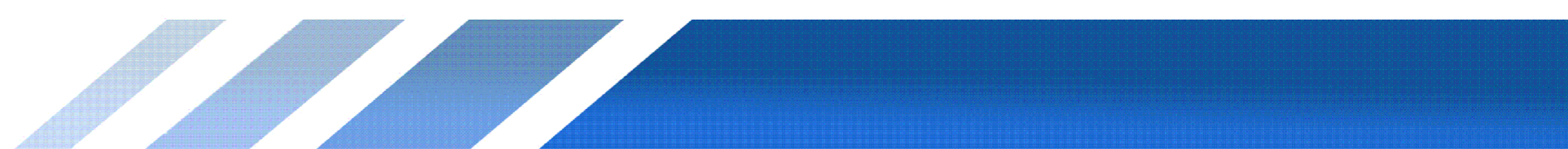


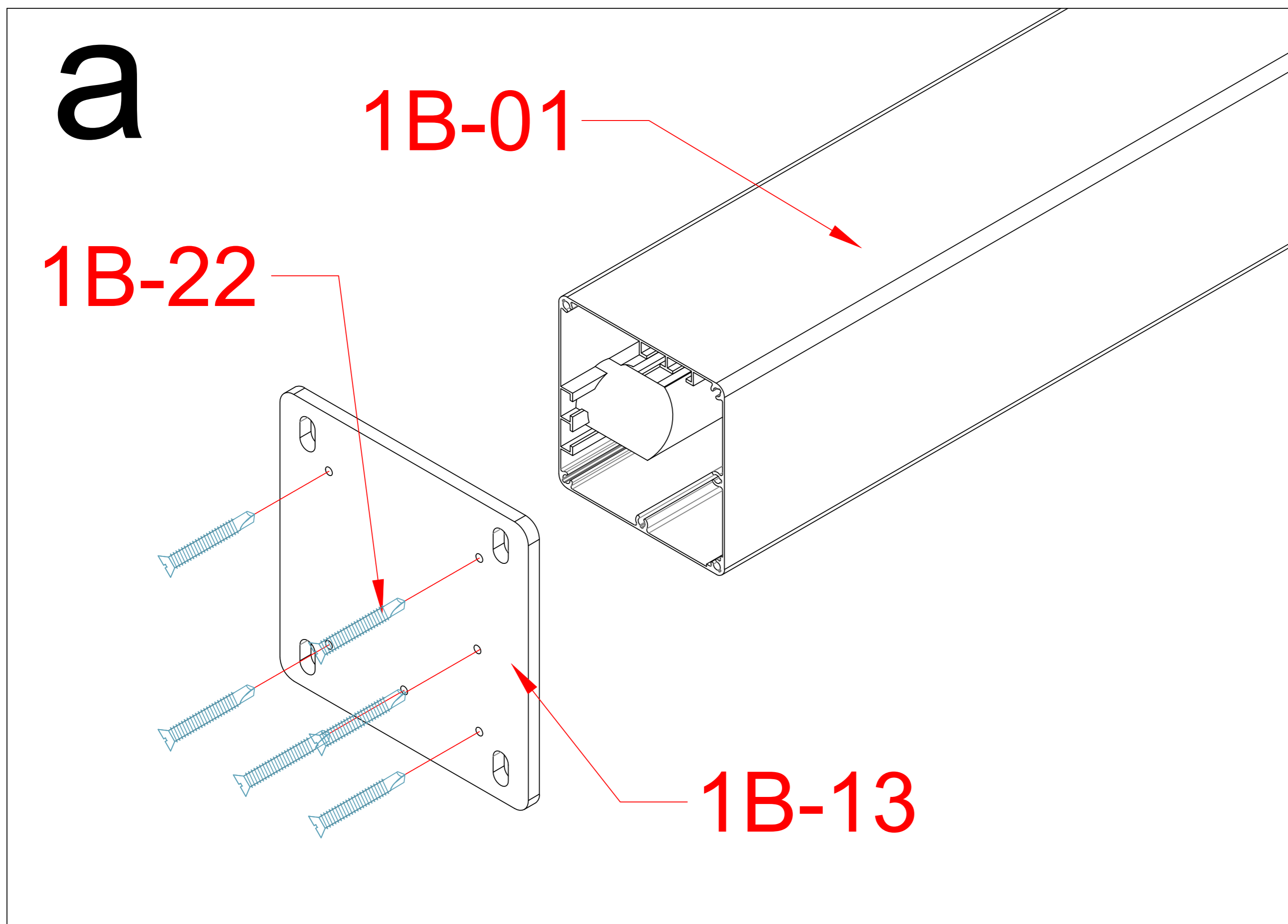


**3×8m**

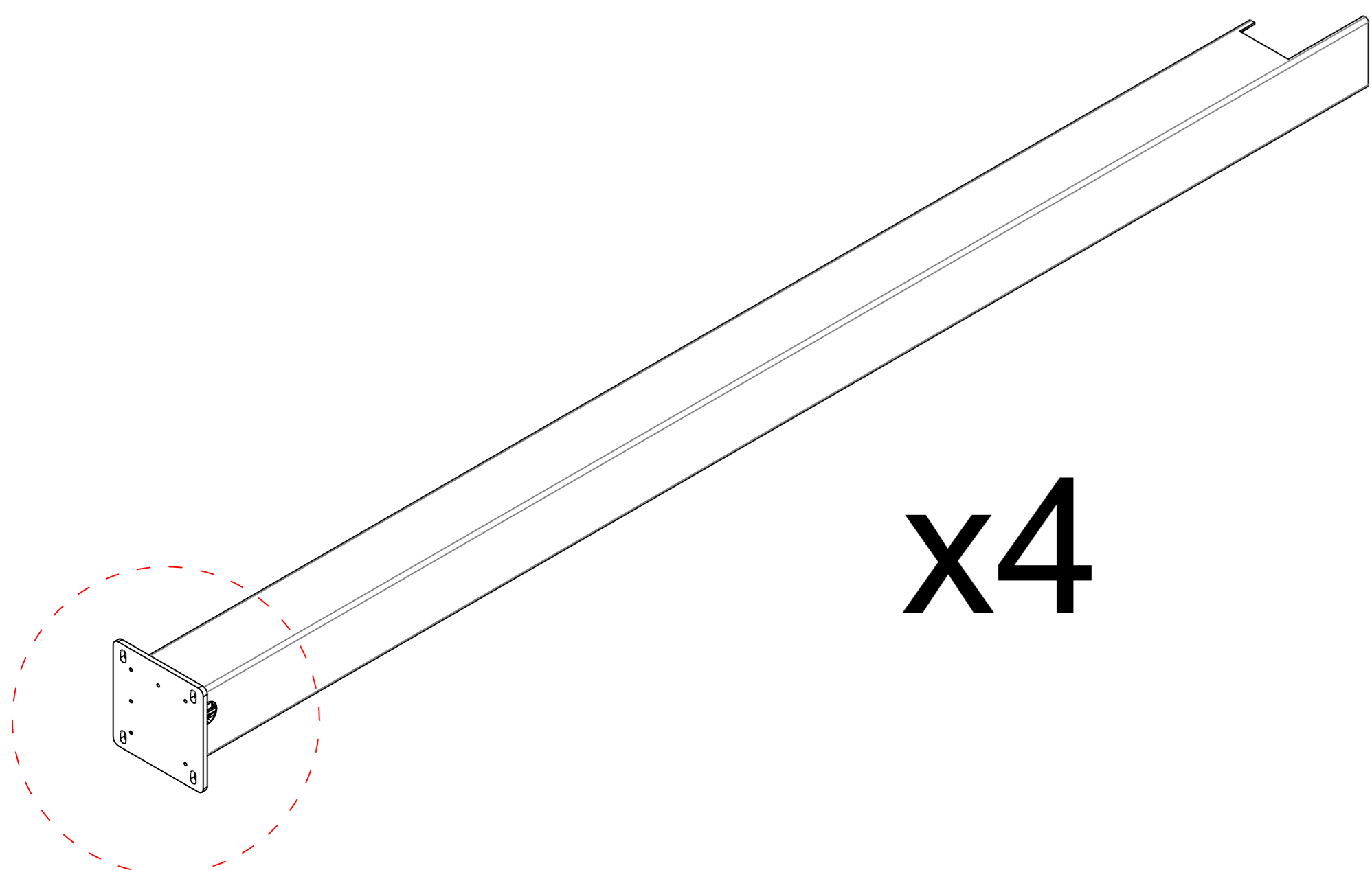
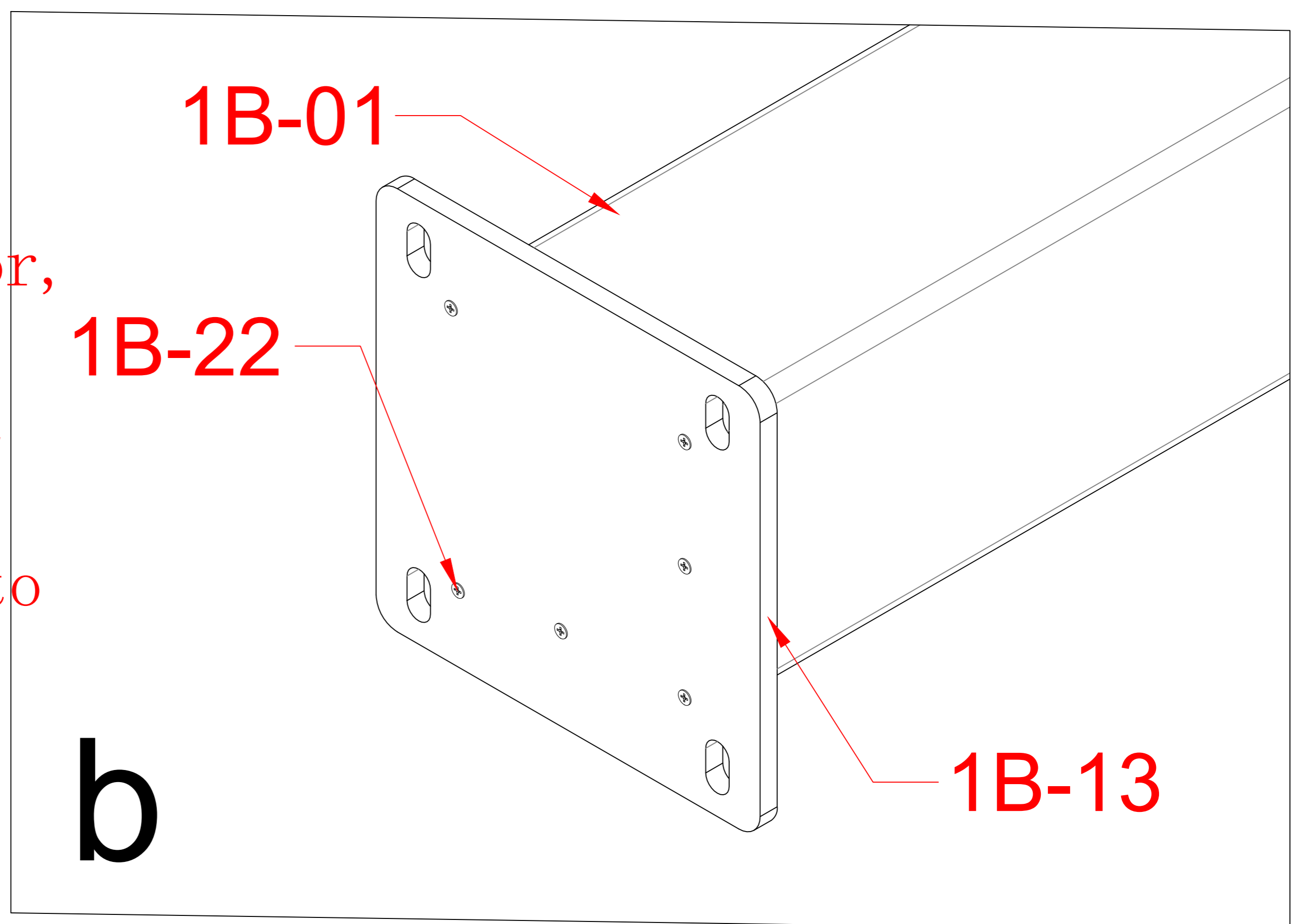


3×8-5

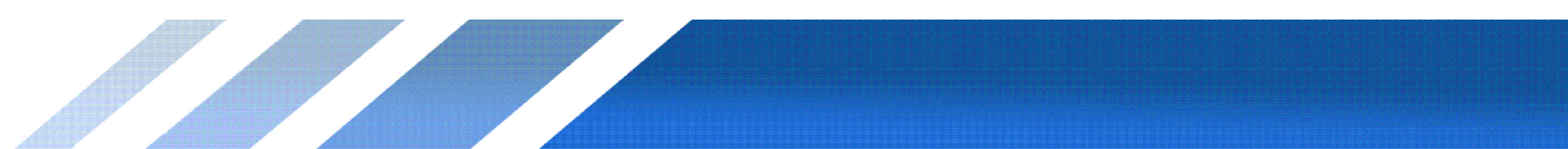




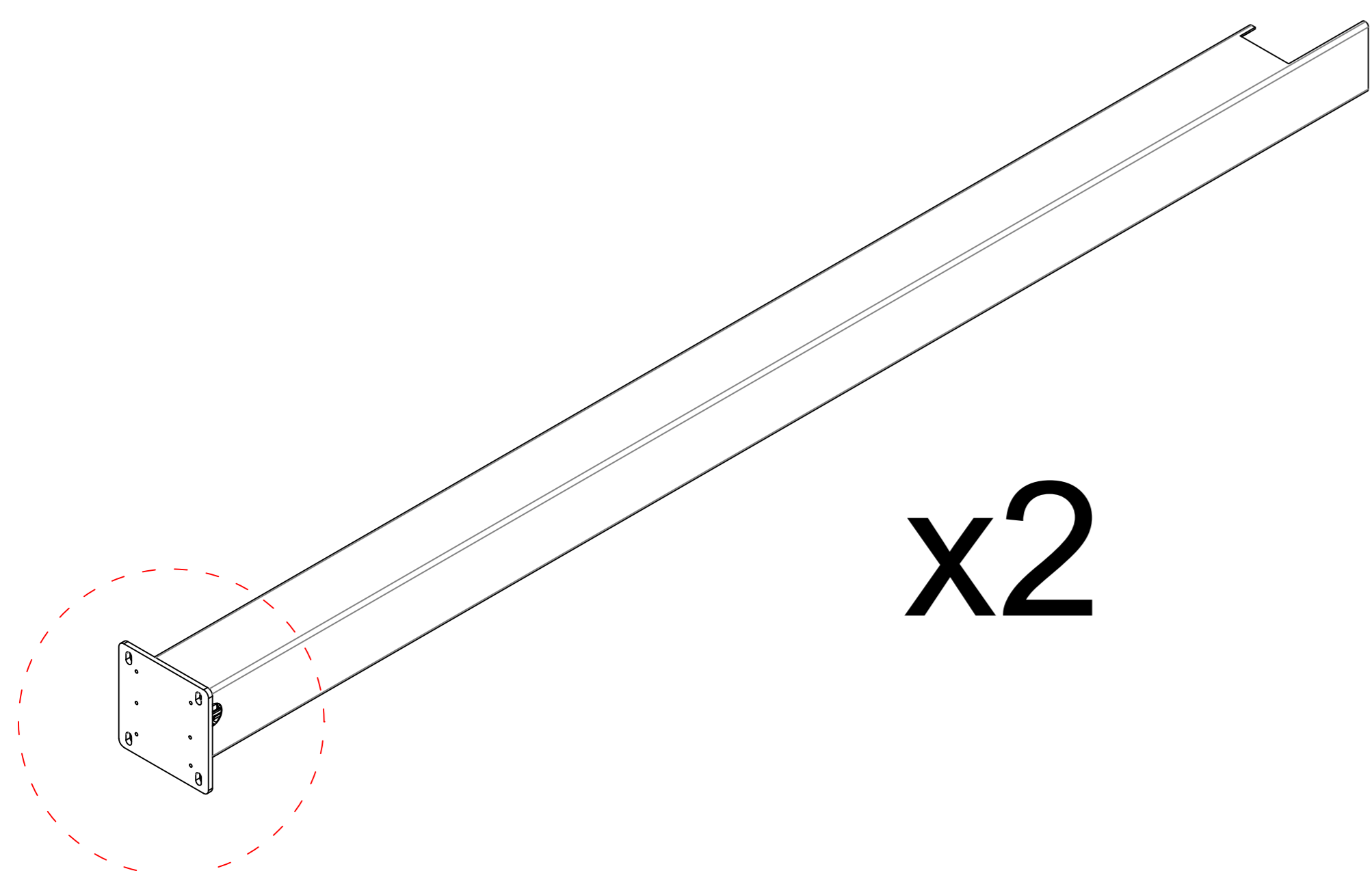
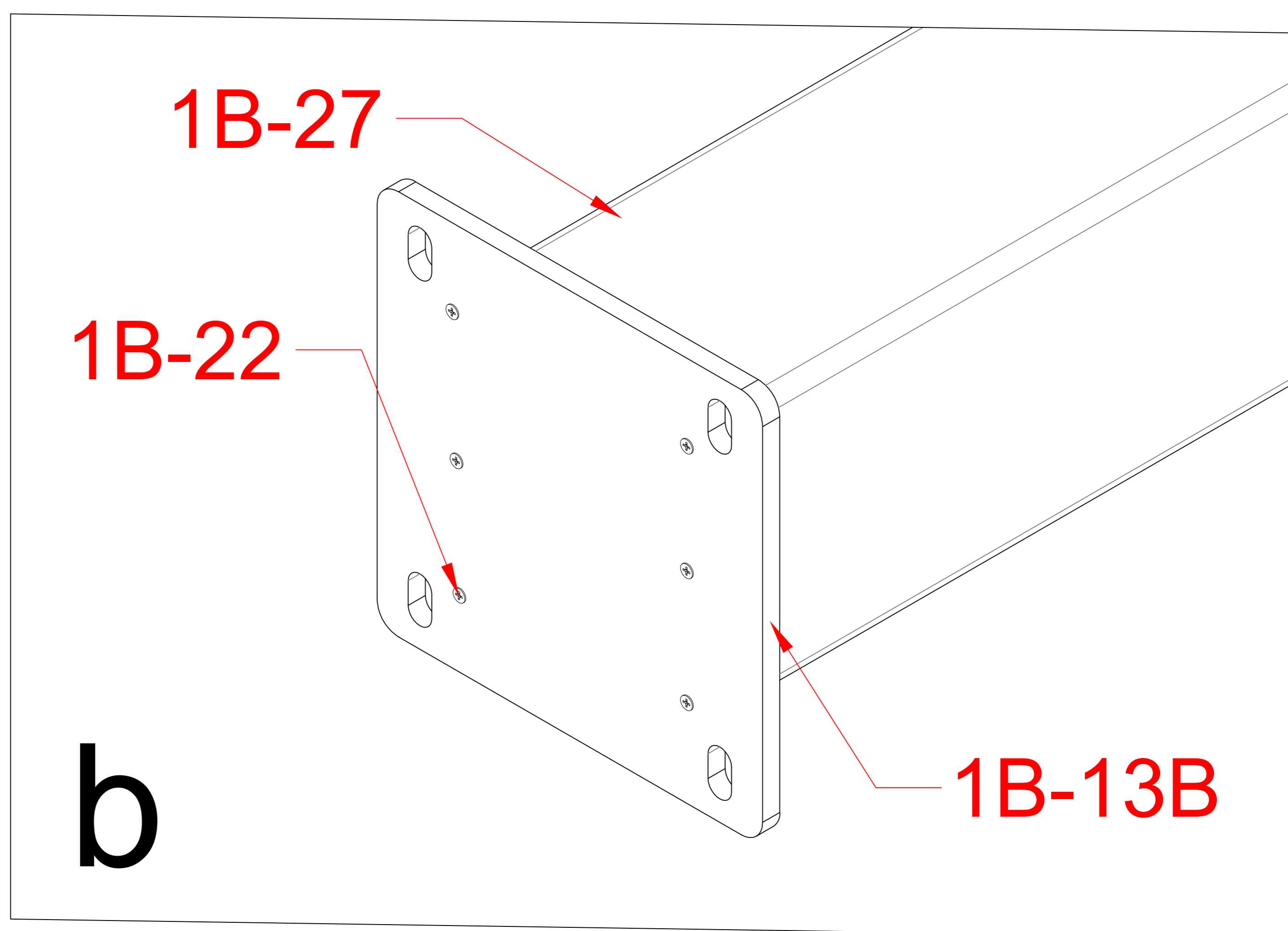
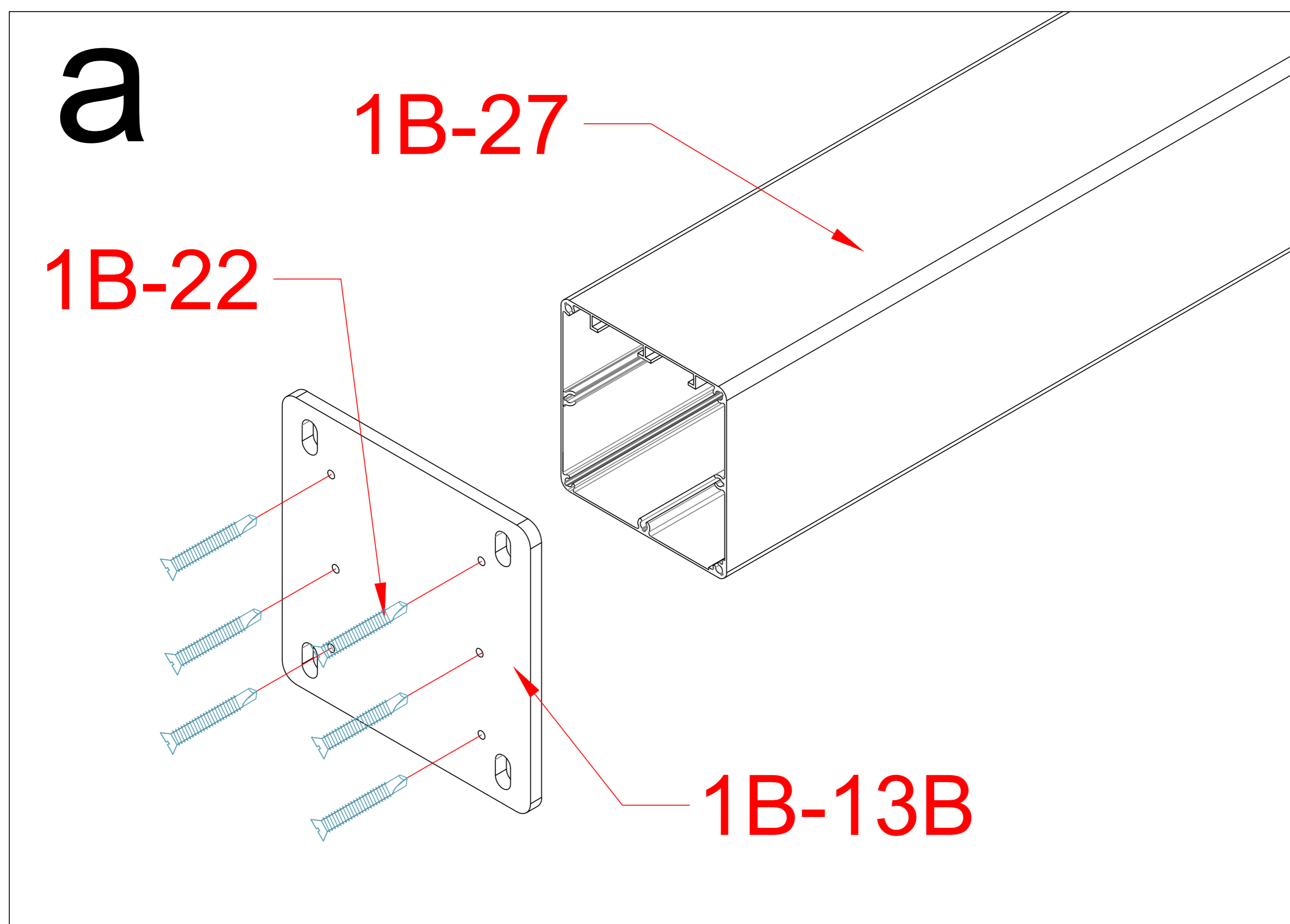
If there are electrical components including motor, blinds or LED light, Set the wire through the post firstly, otherwise it would be very difficult to do so after pergola was assembled.



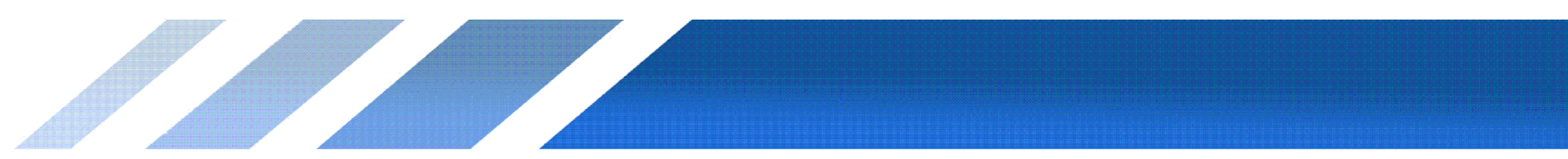
1B-01		4
1B-13		4
1B-22	 M5.5*50	24

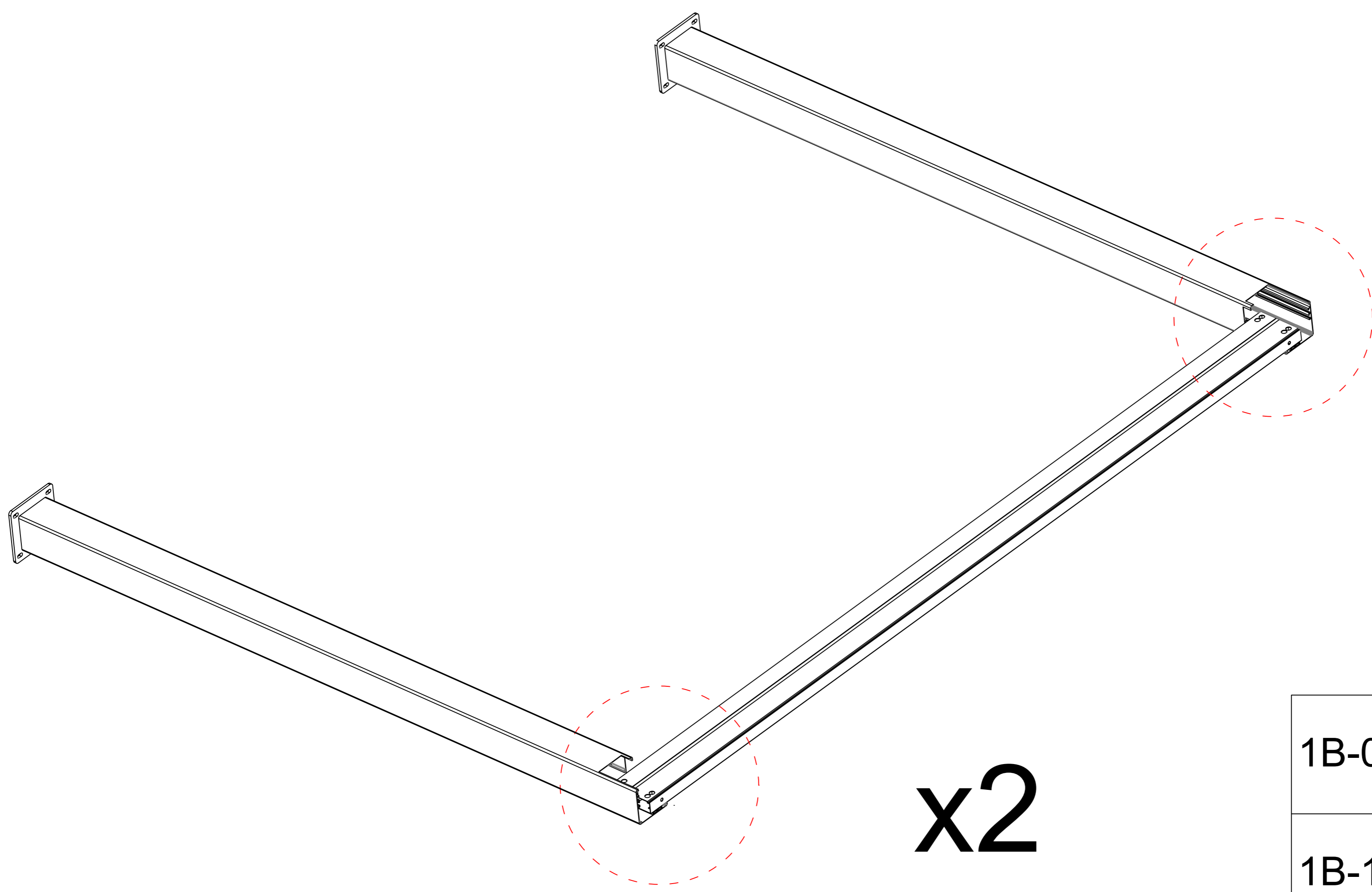
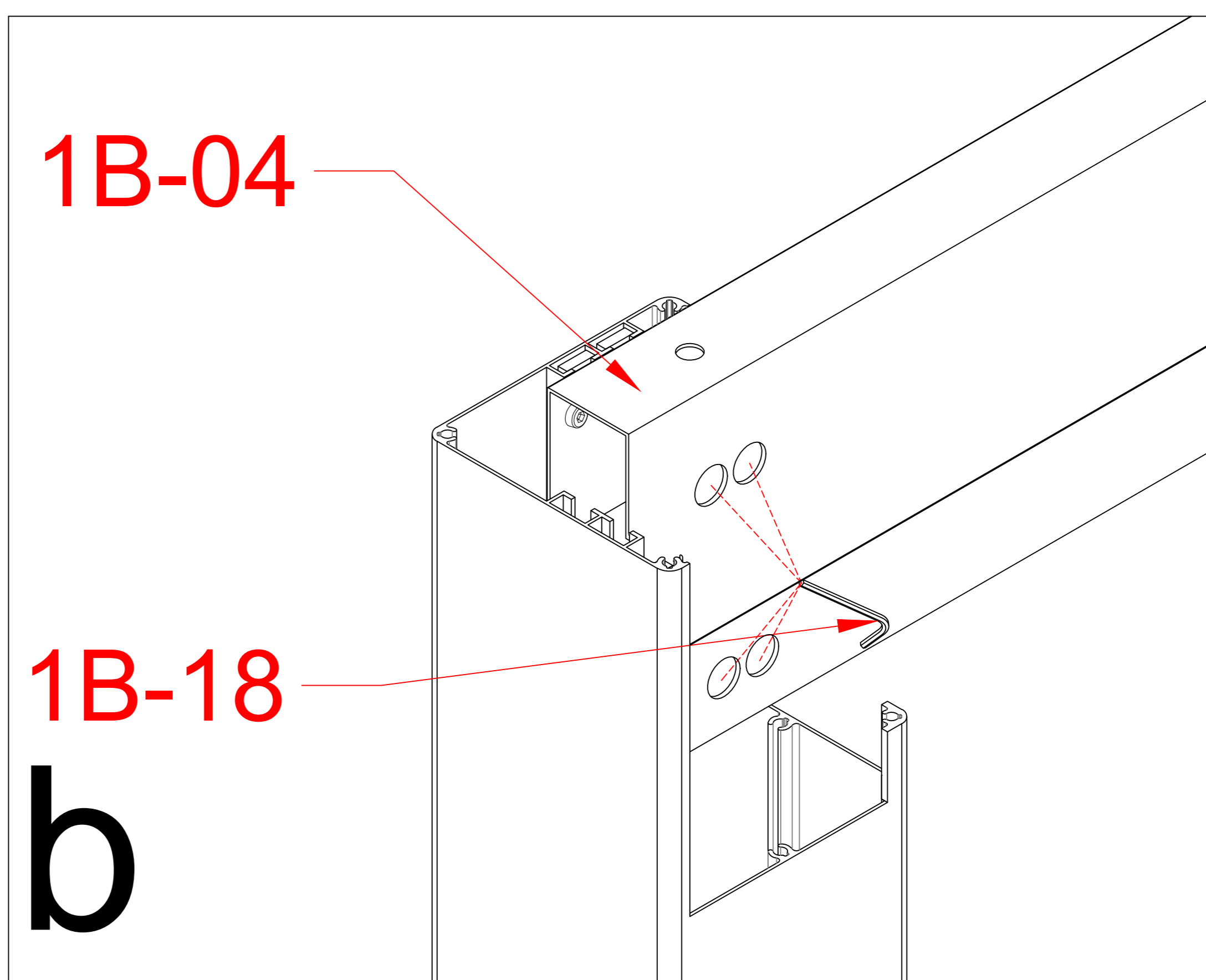
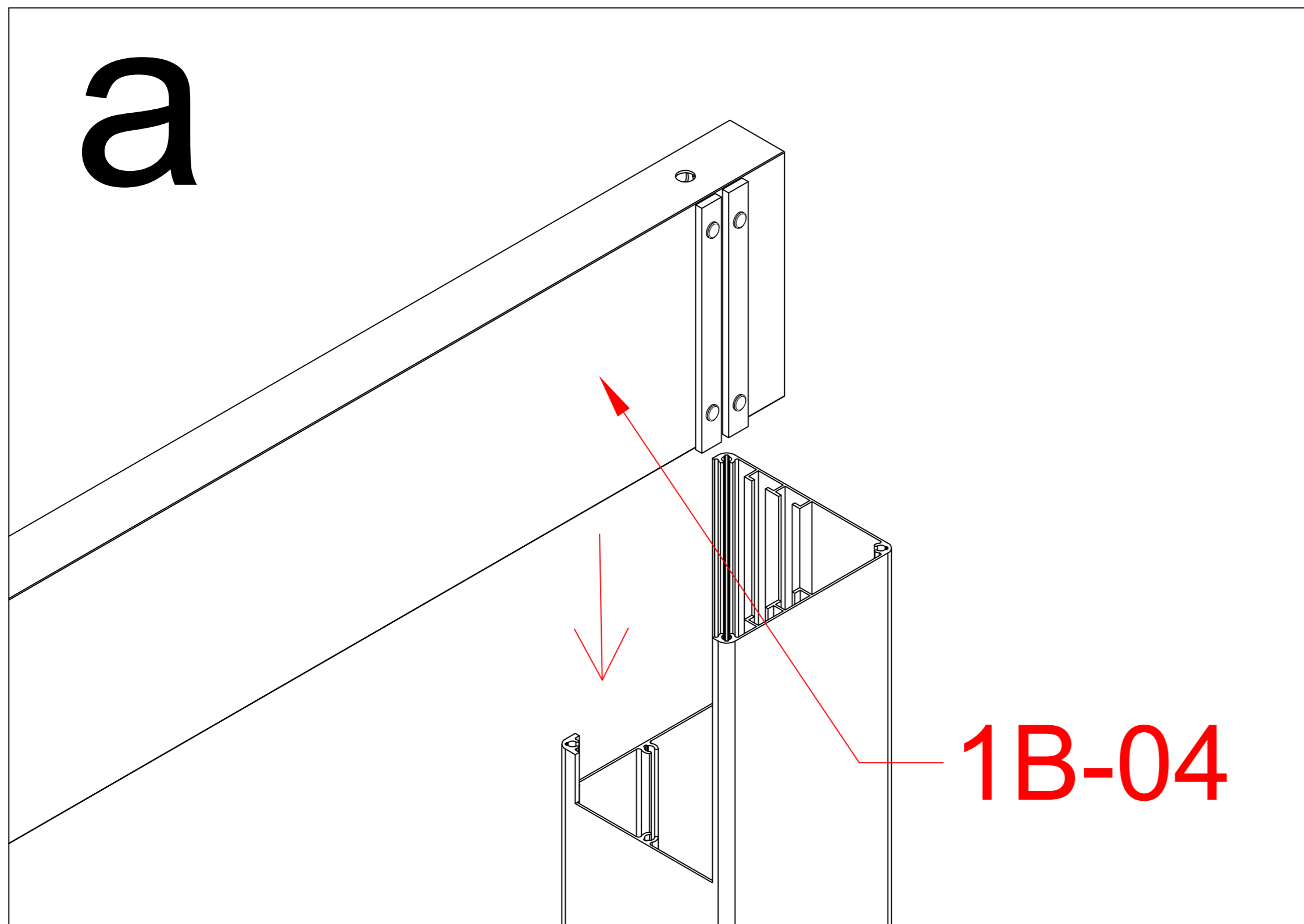




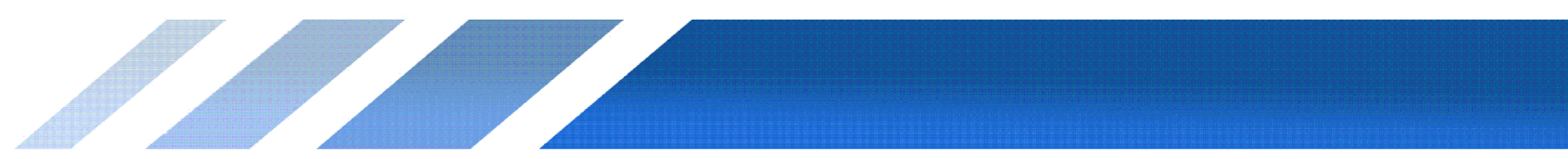


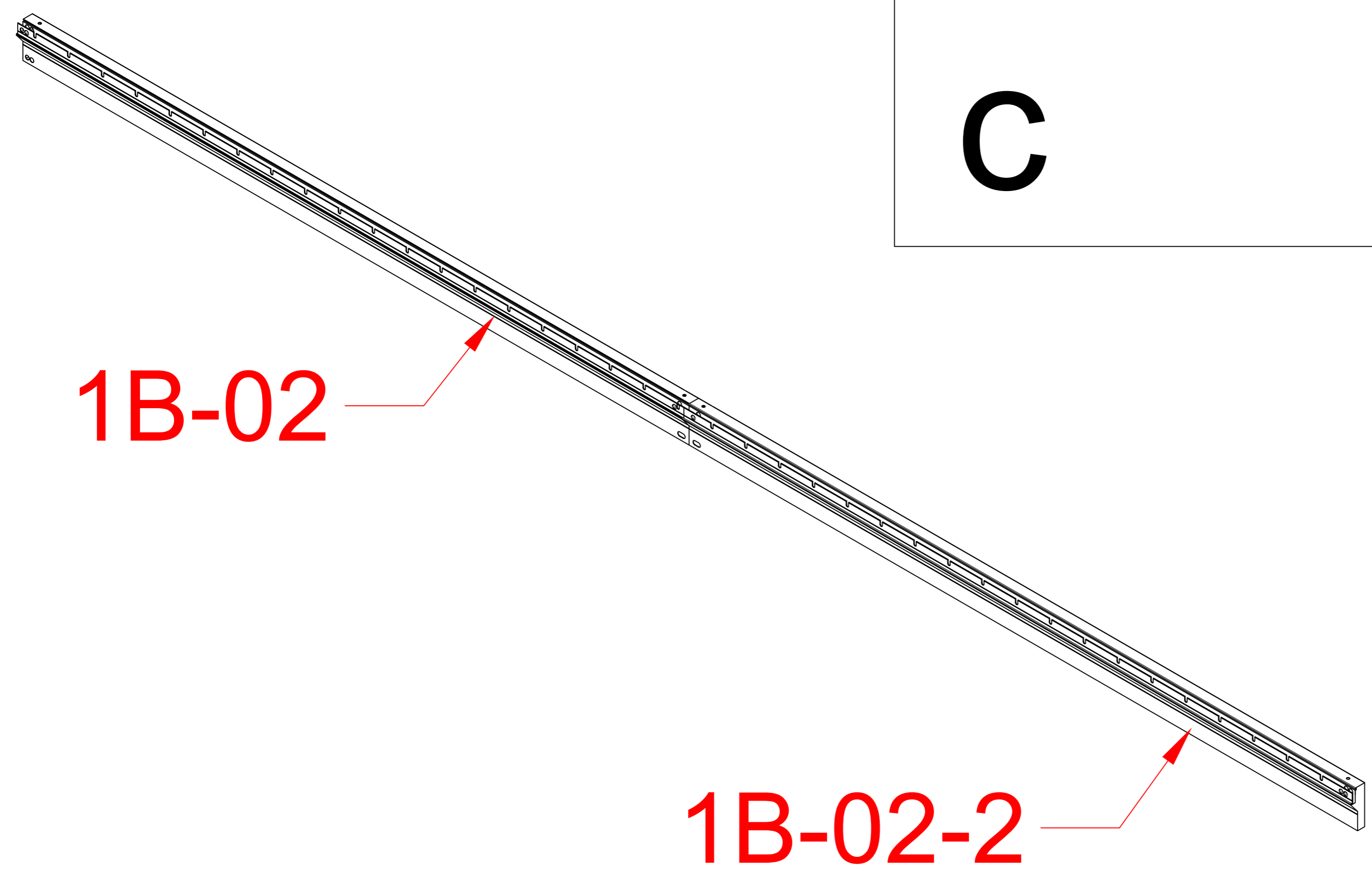
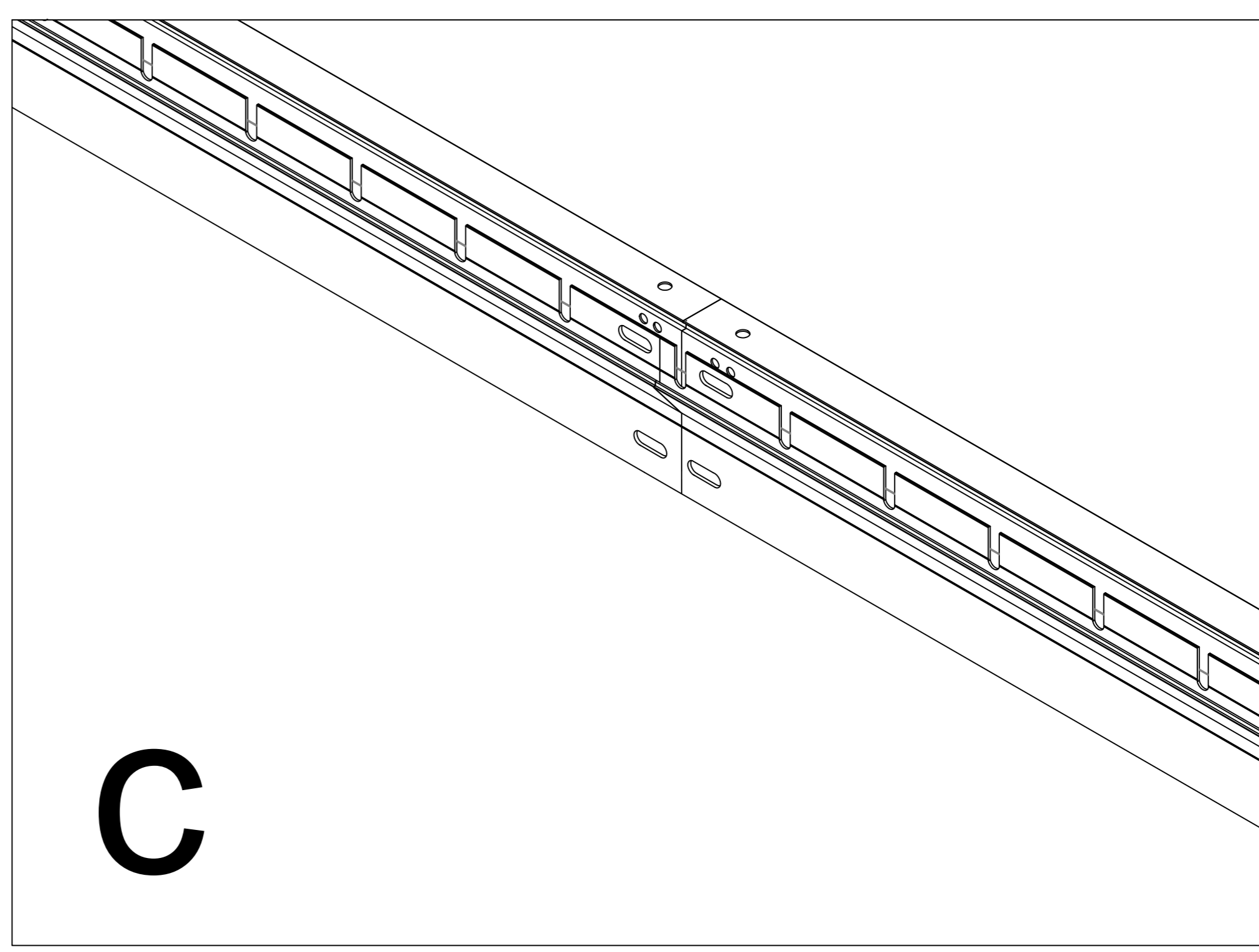
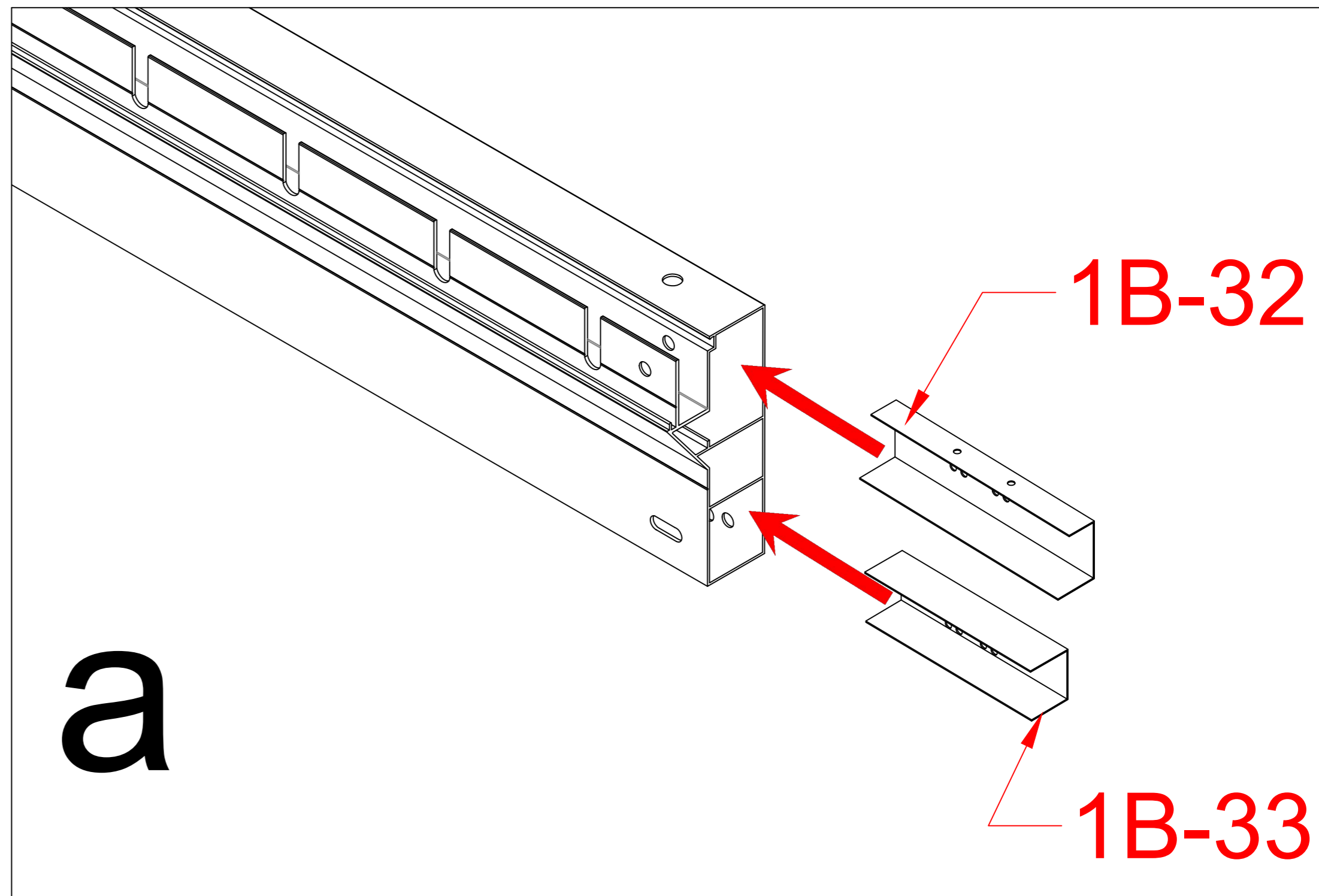
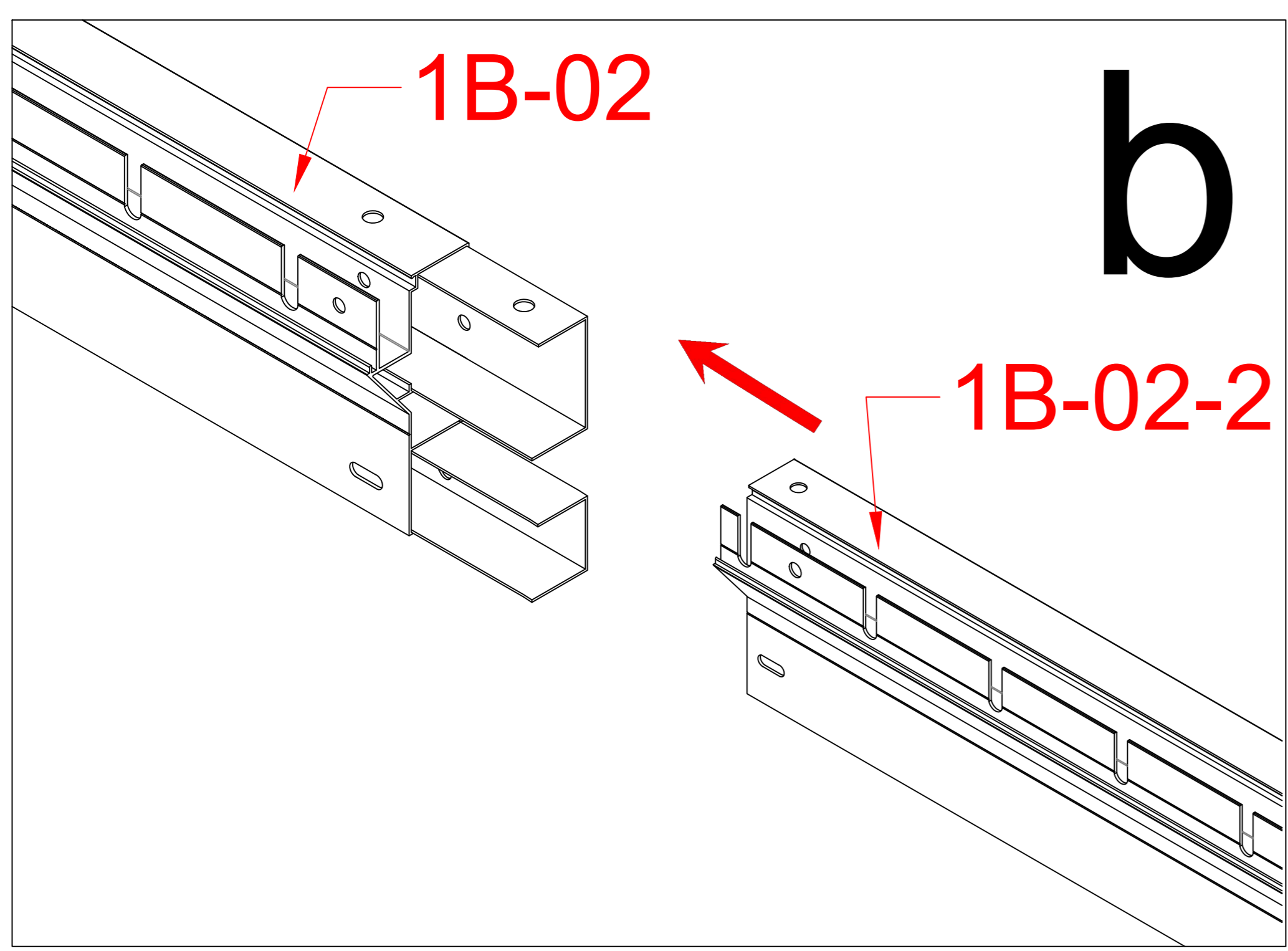
1B-27			2
1B-13B			2
1B-22			12
	M5.5*50		



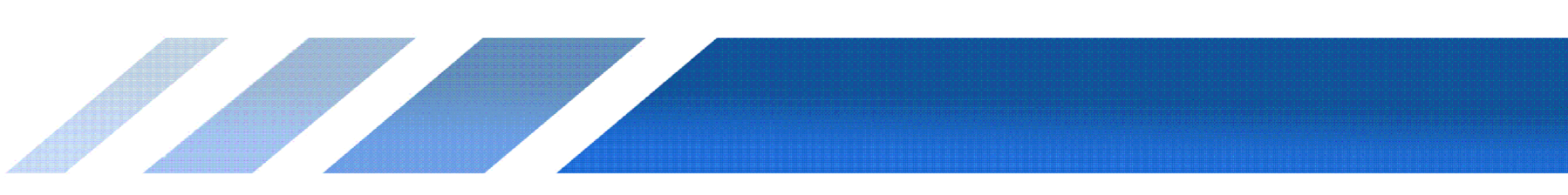


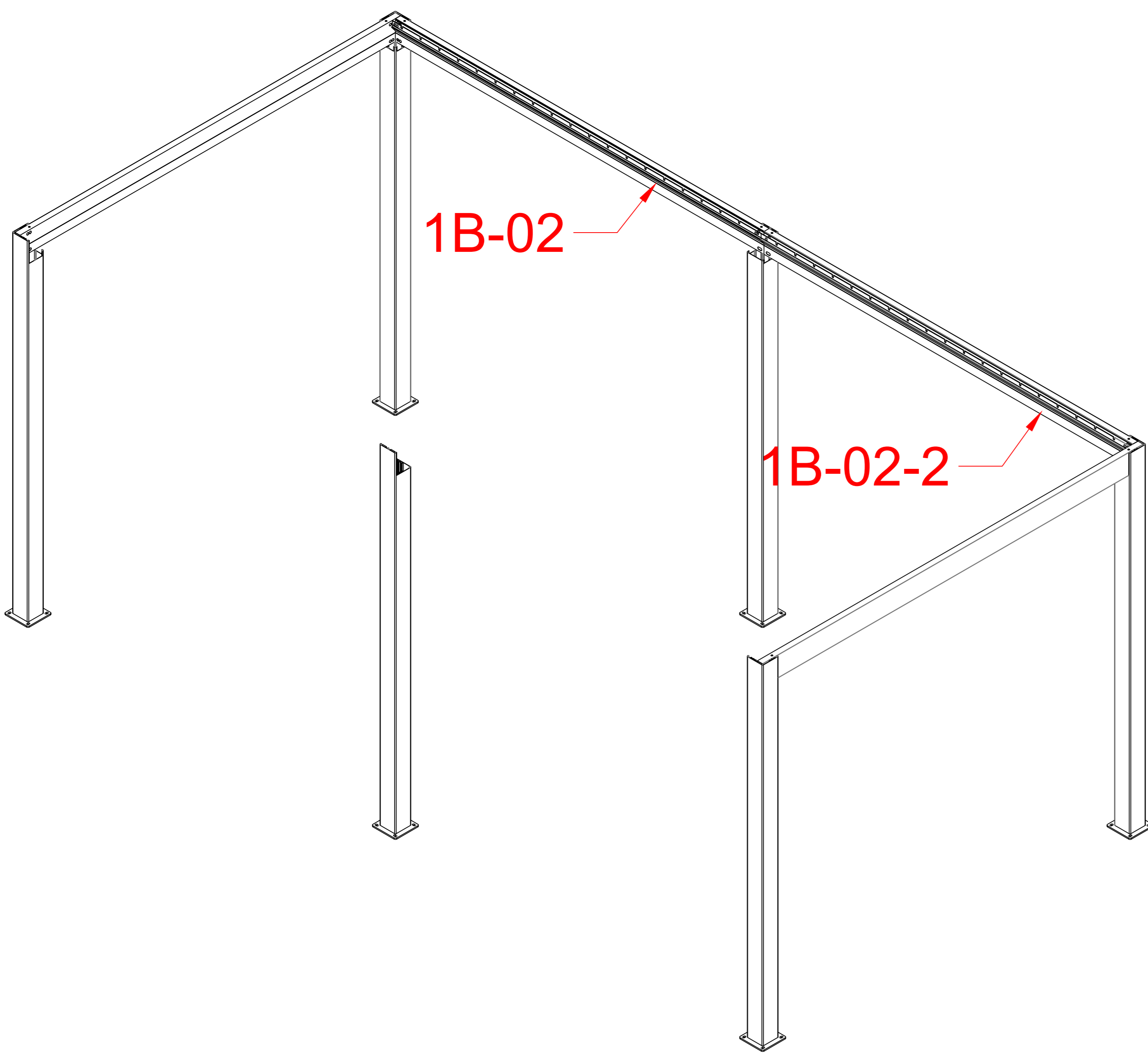
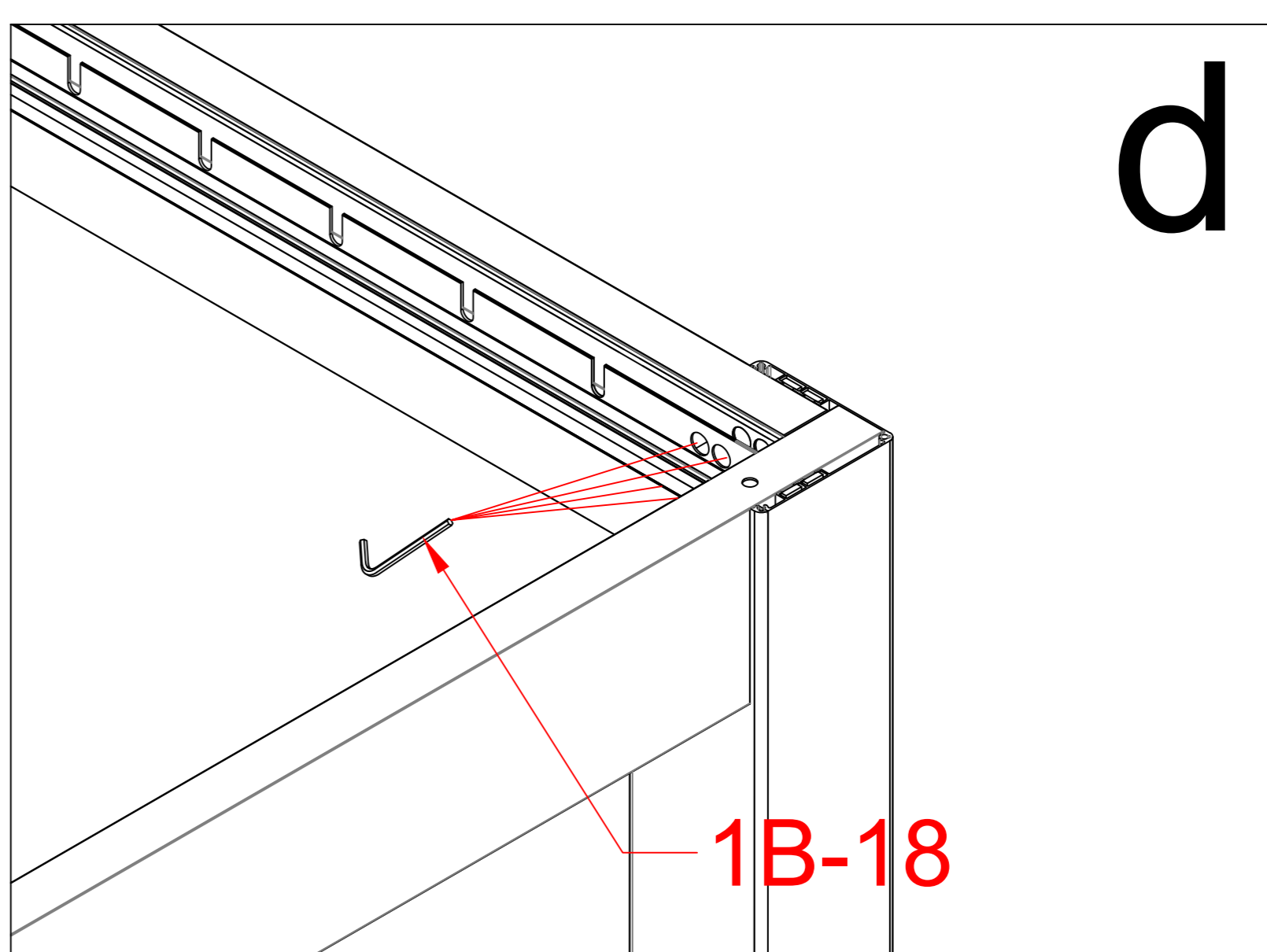
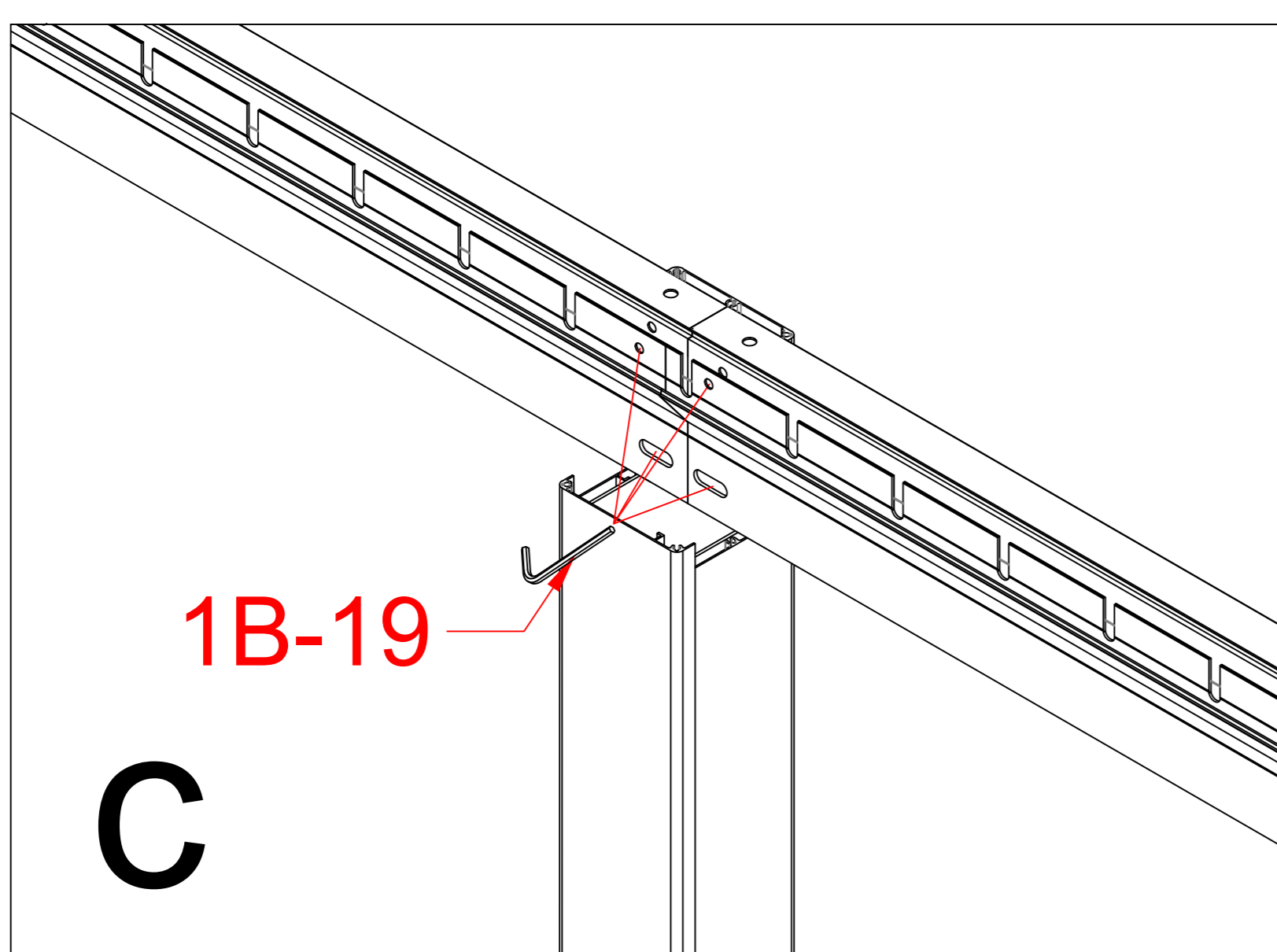
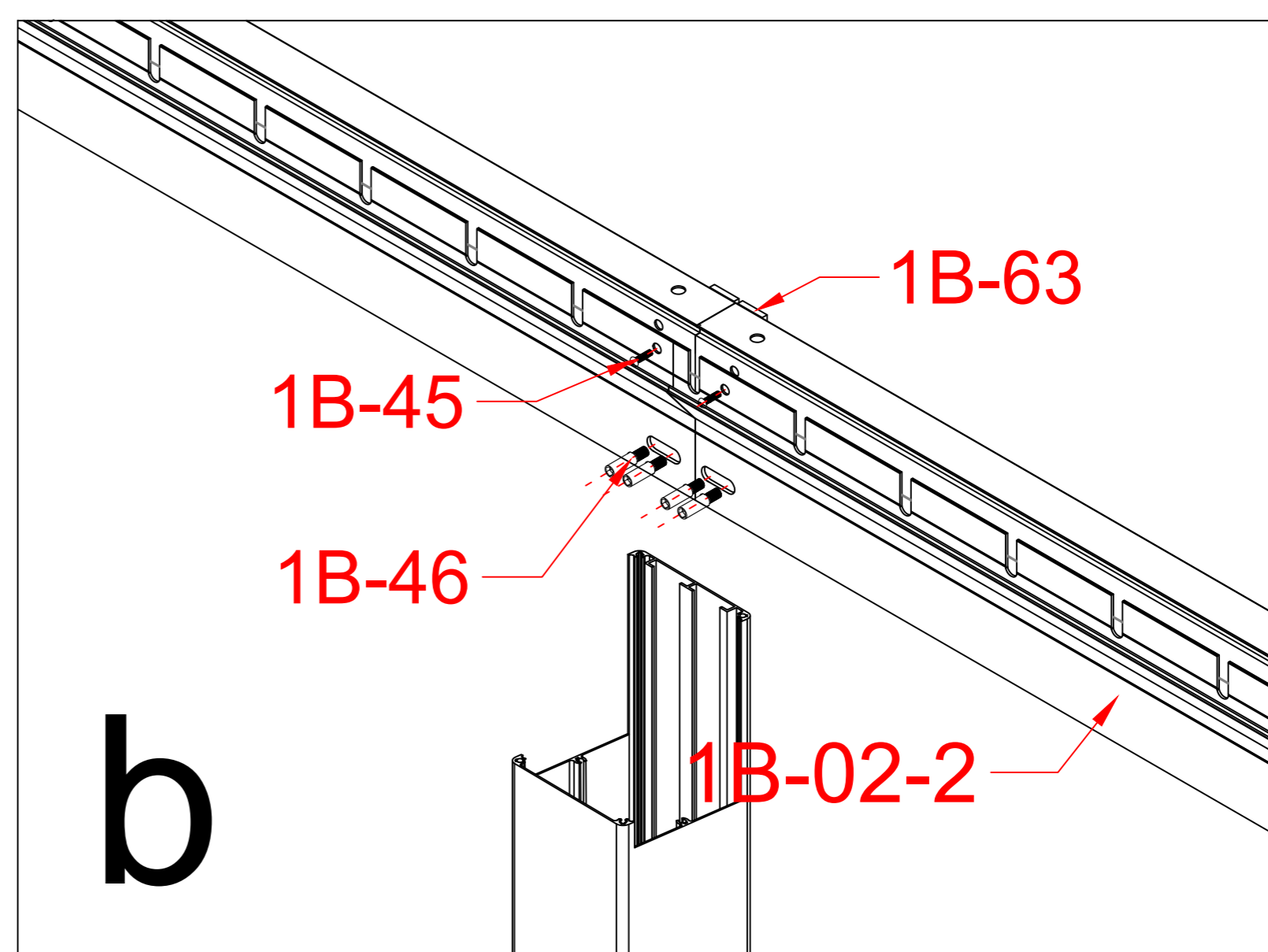
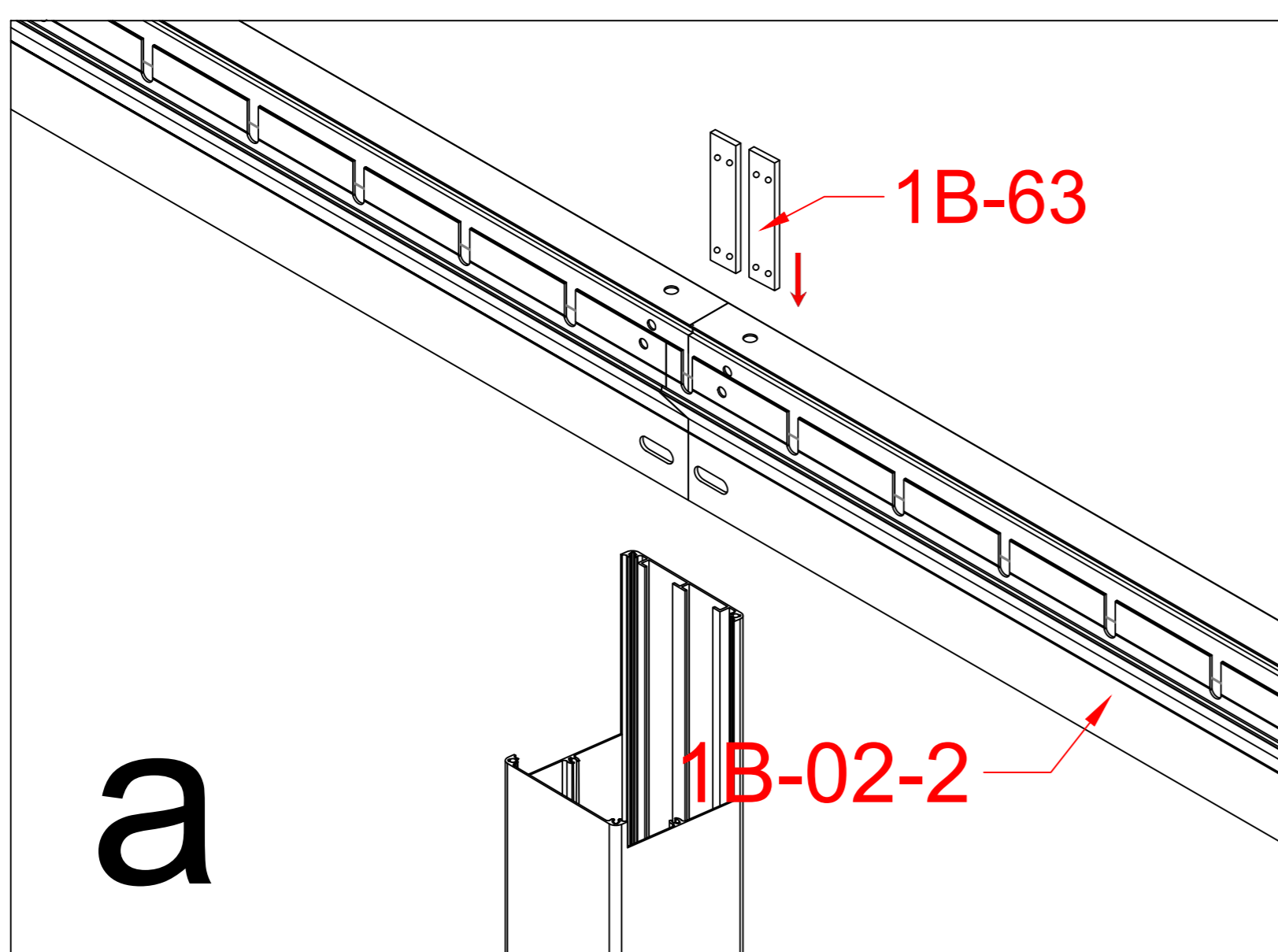
1B-04		2
1B-18		1

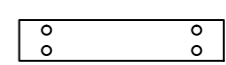
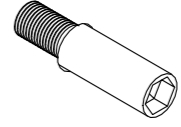

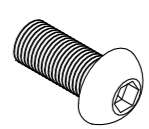


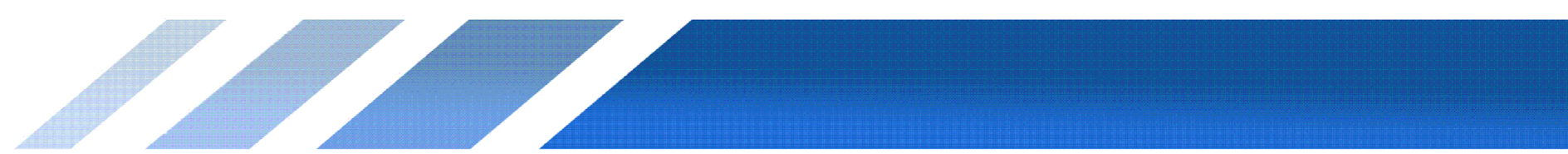


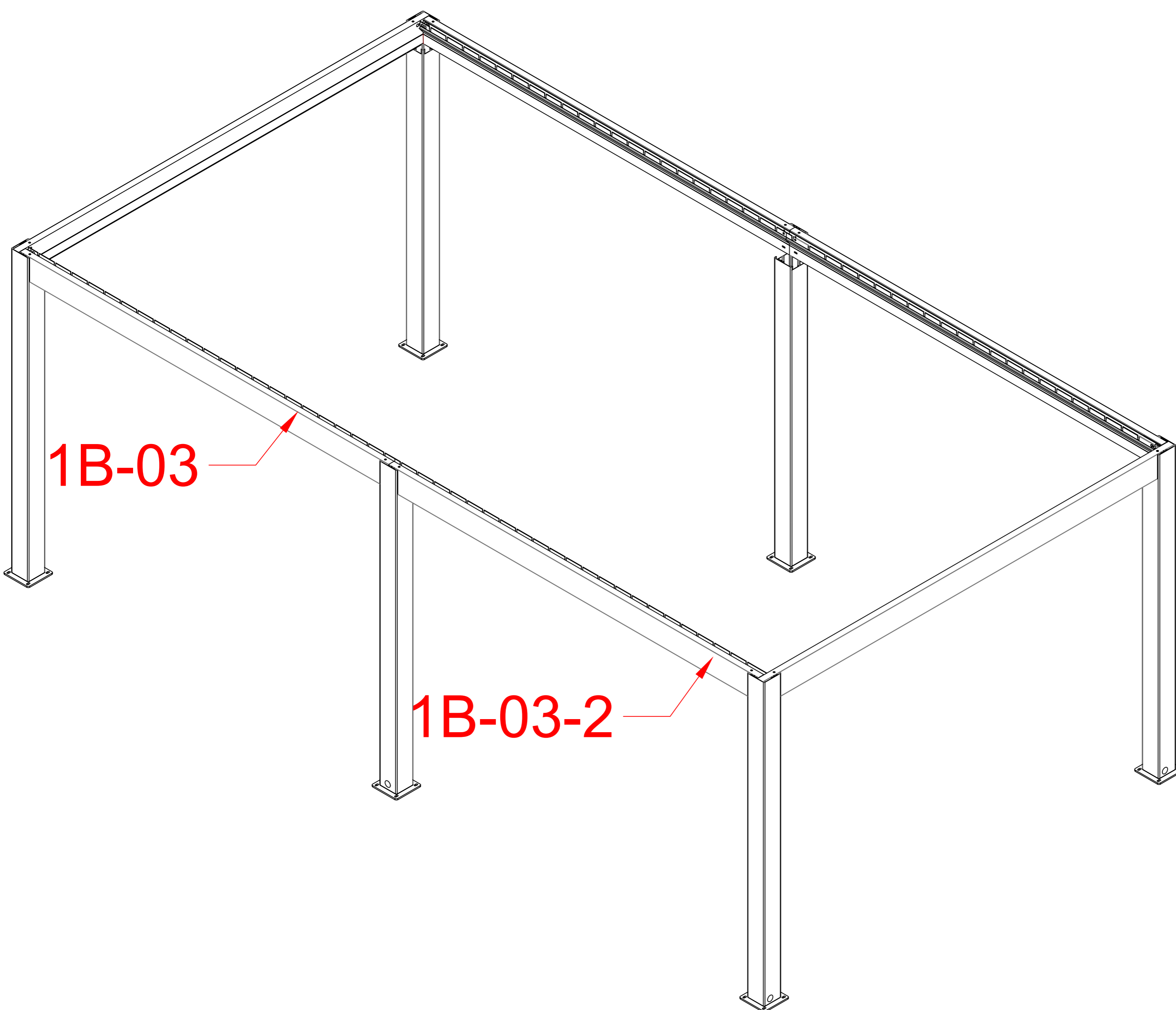
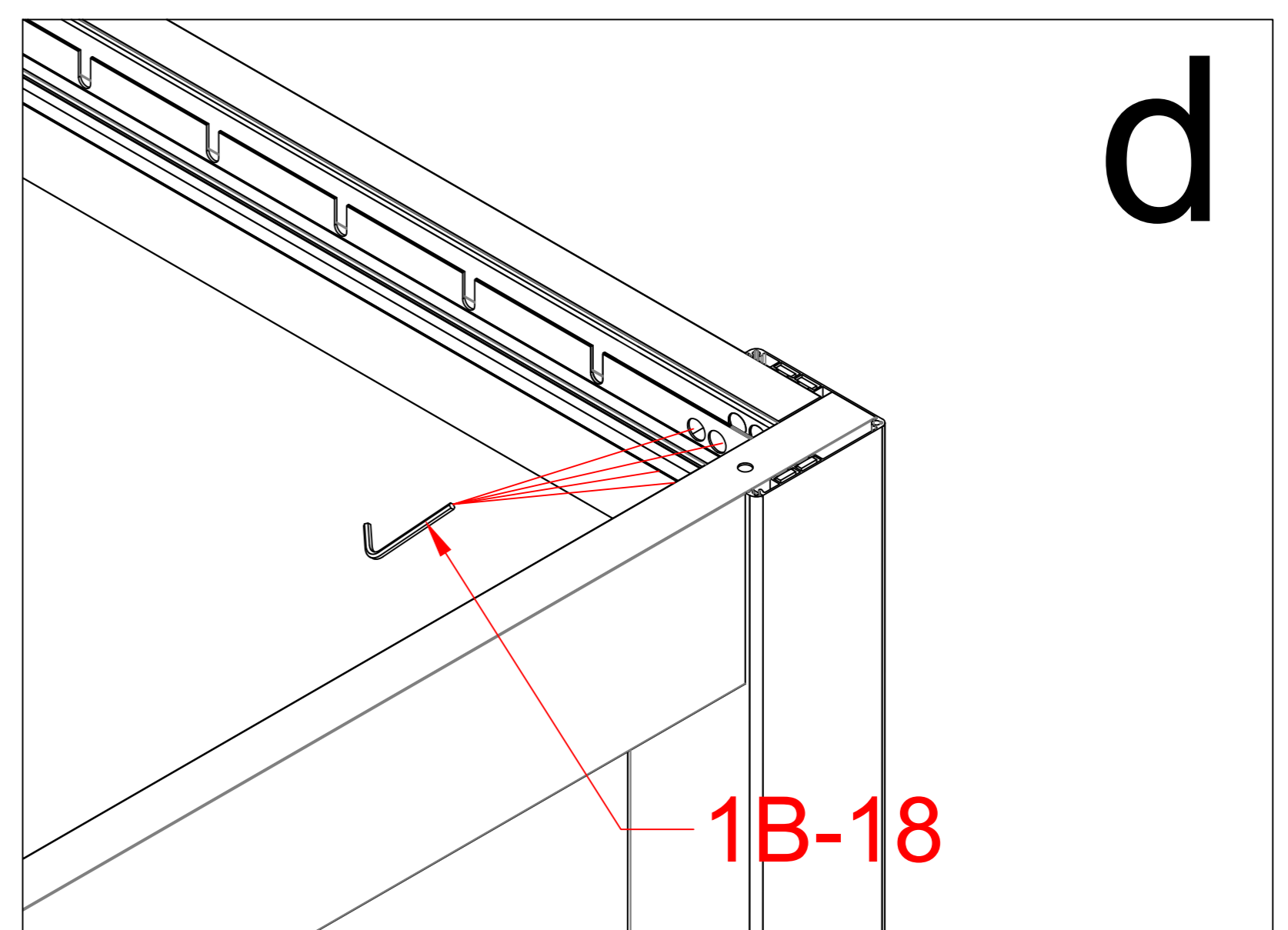
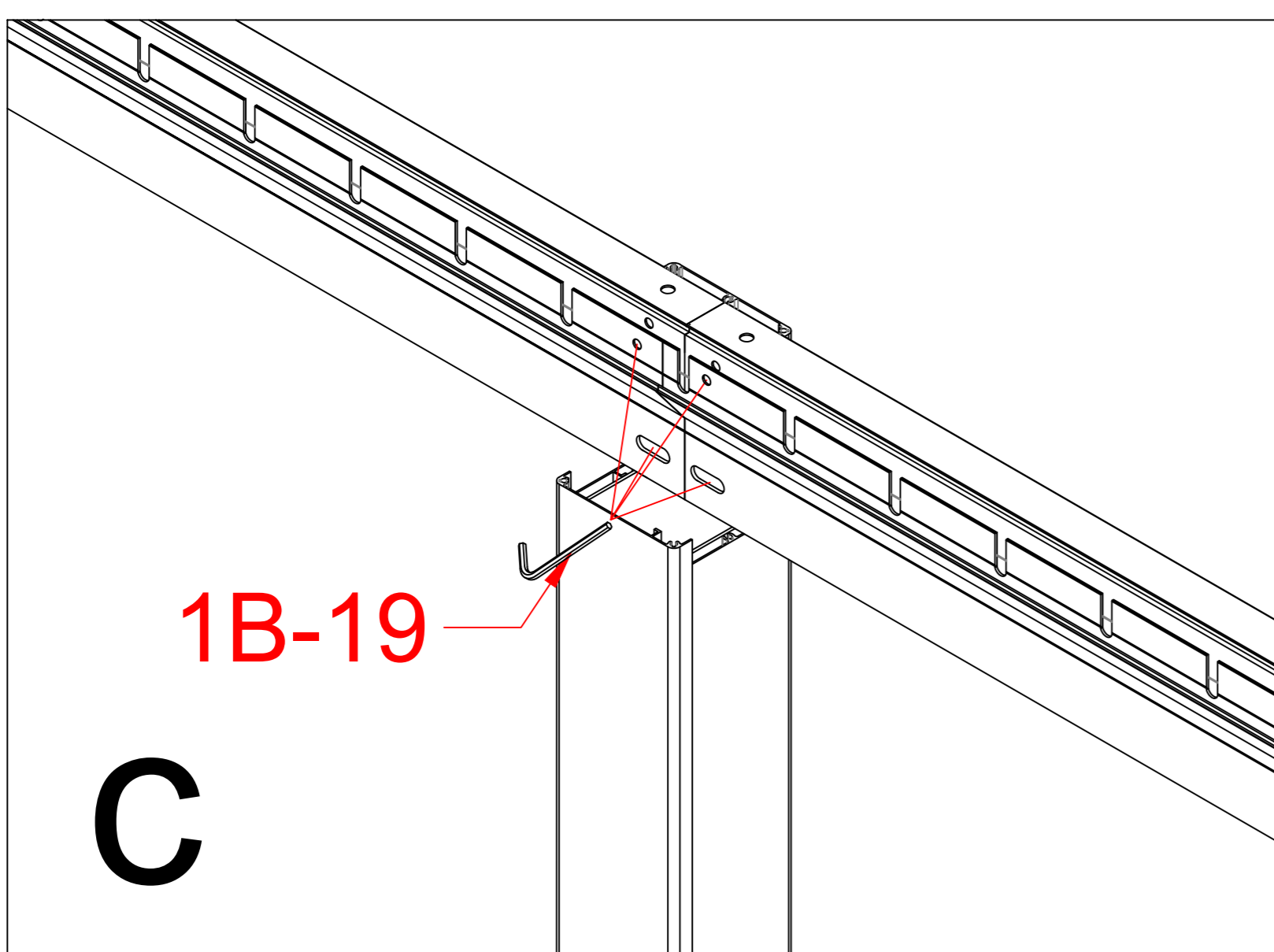
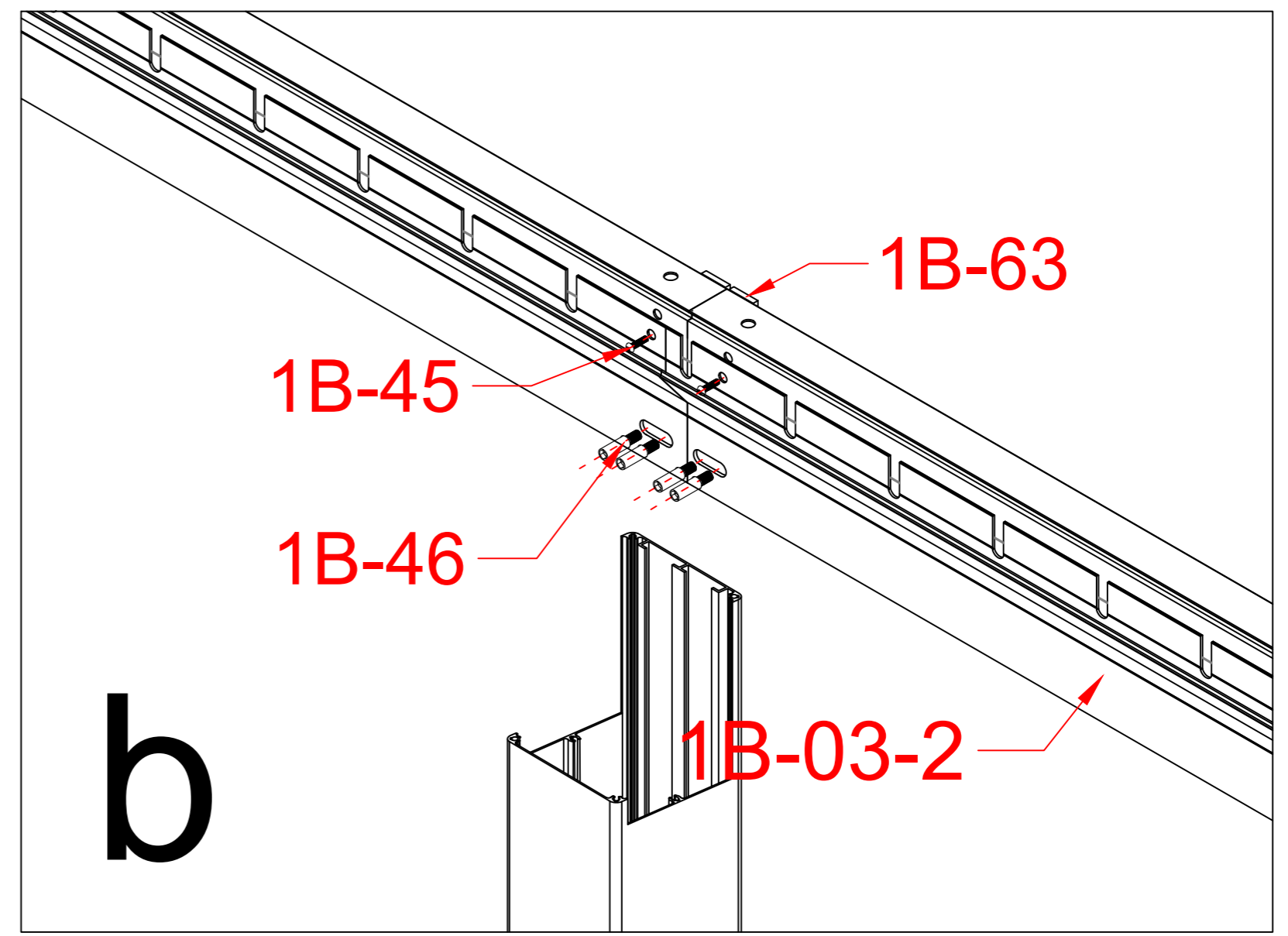
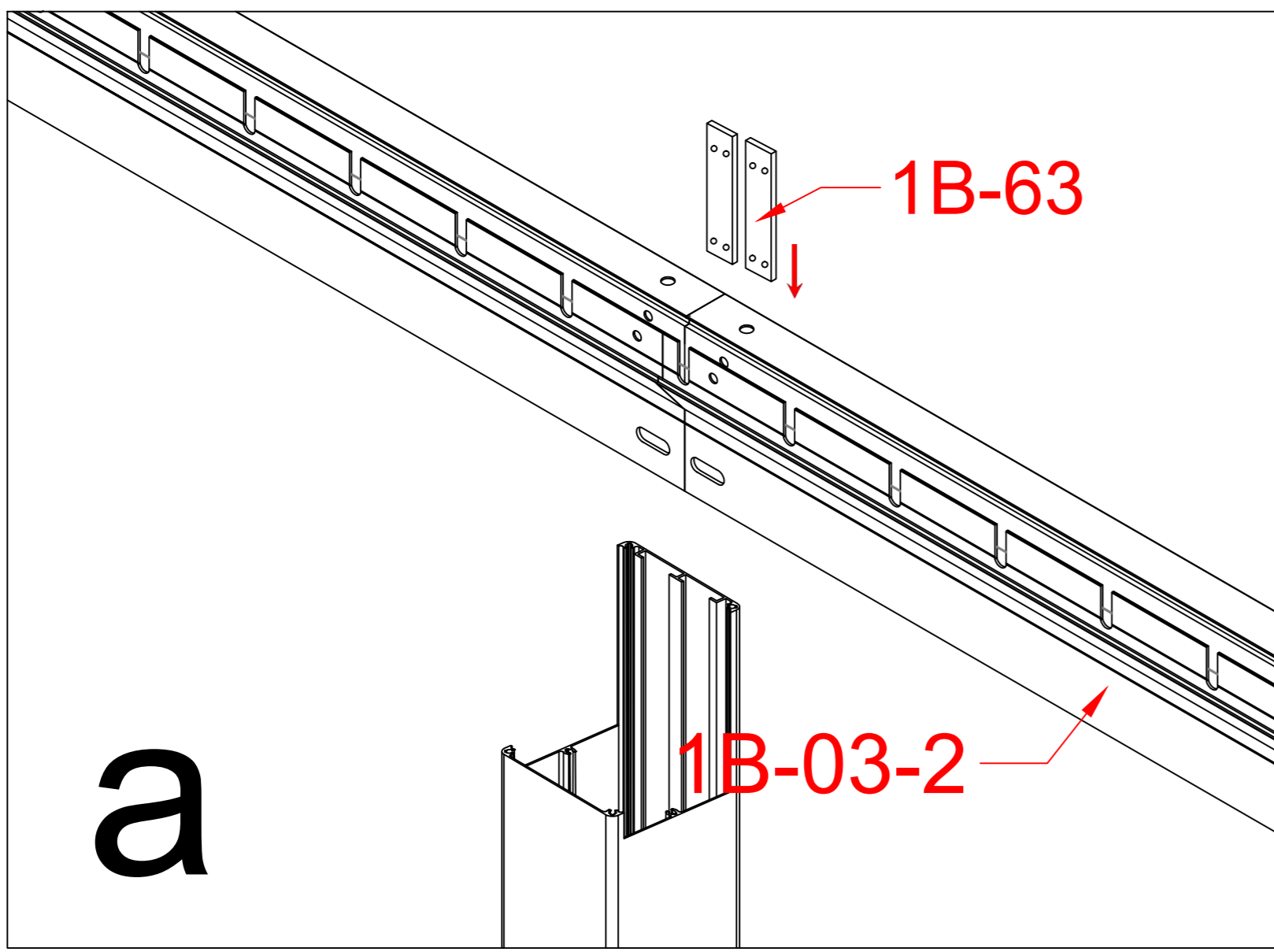
1B-02		1
1B-02-2		1
1B-32		1
1B-33		1



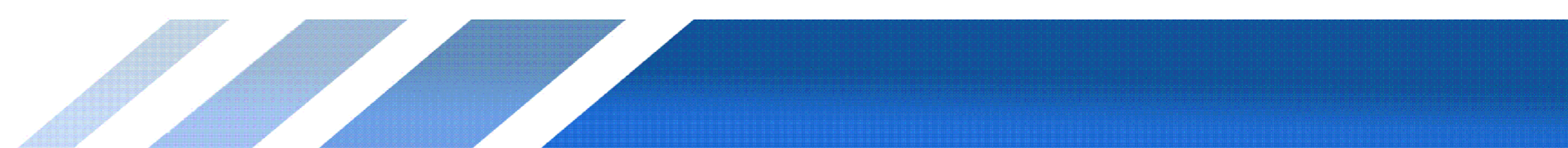


1B-63		2
1B-46		4
1B-18		1
1B-45		2





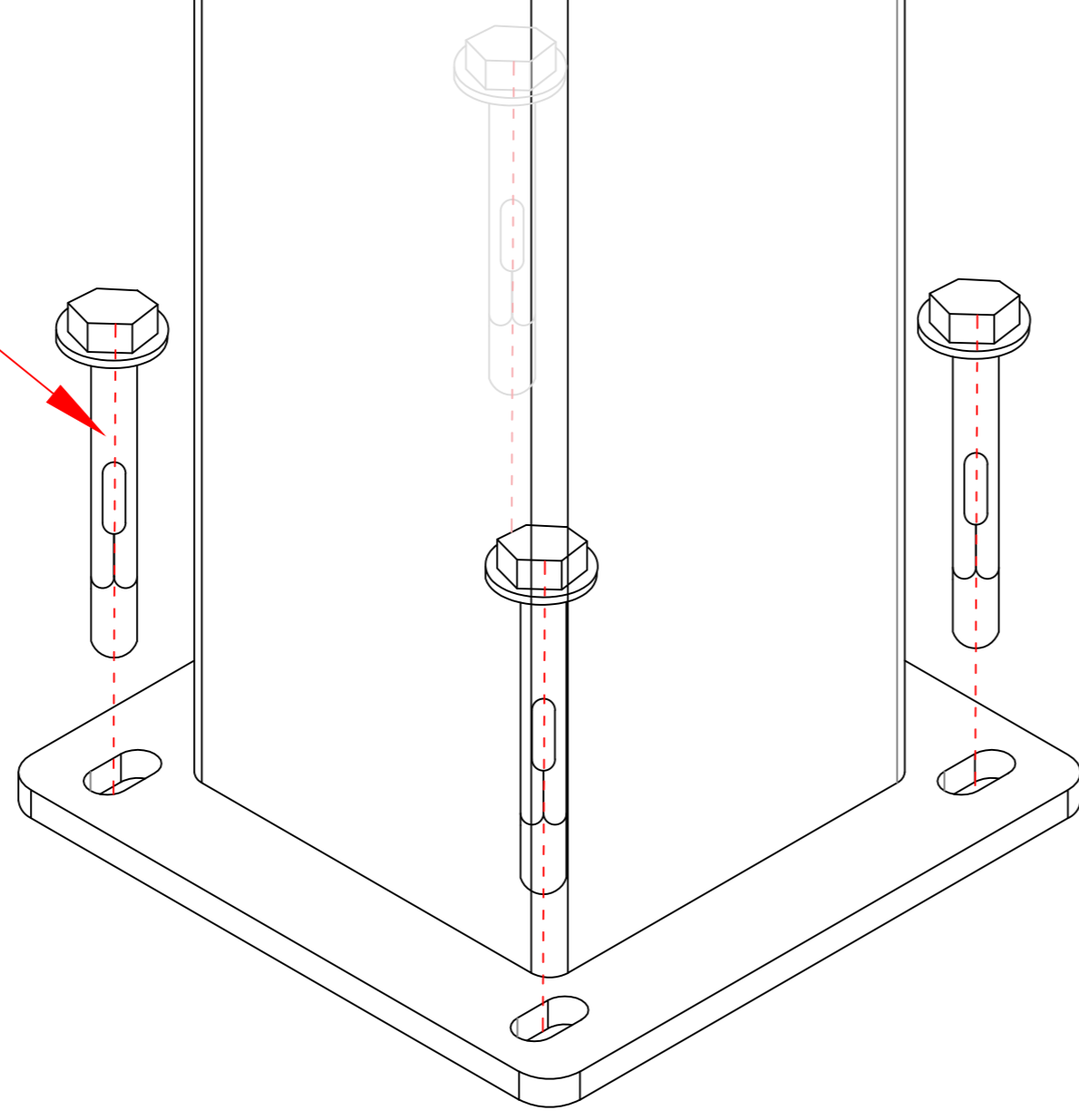
1B-63		2
1B-46		4
1B-45		2
1B-03		1
1B-03-2		1



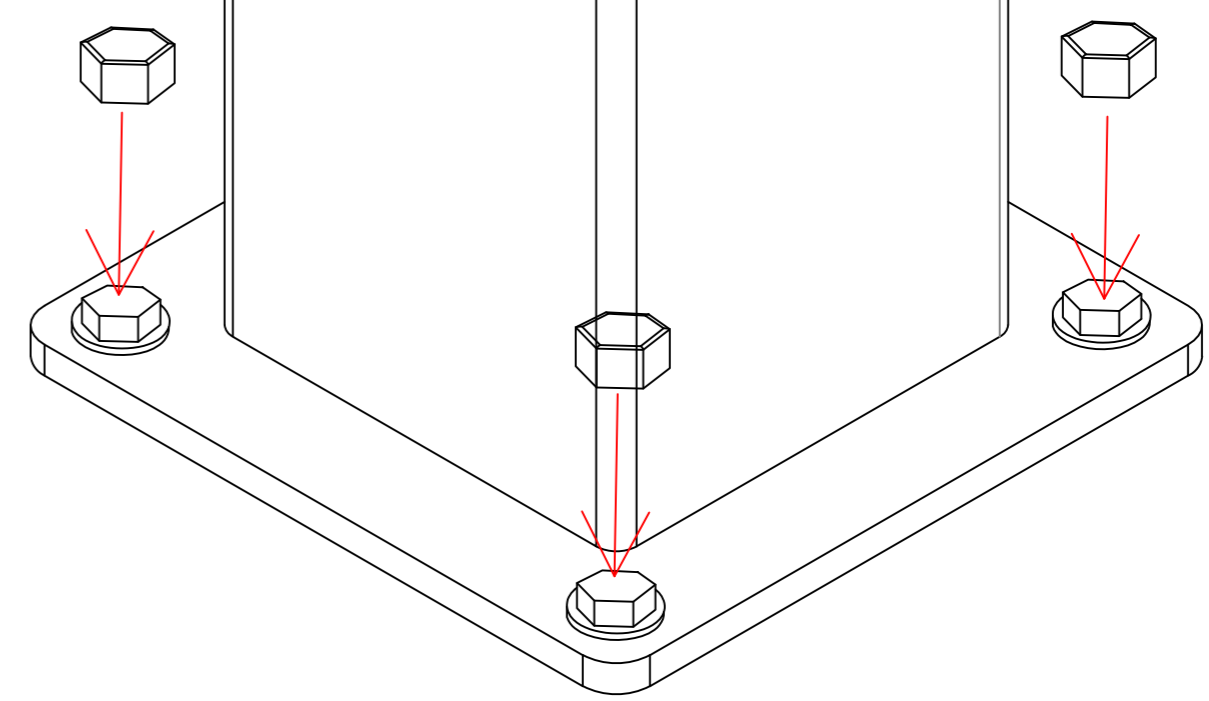


a

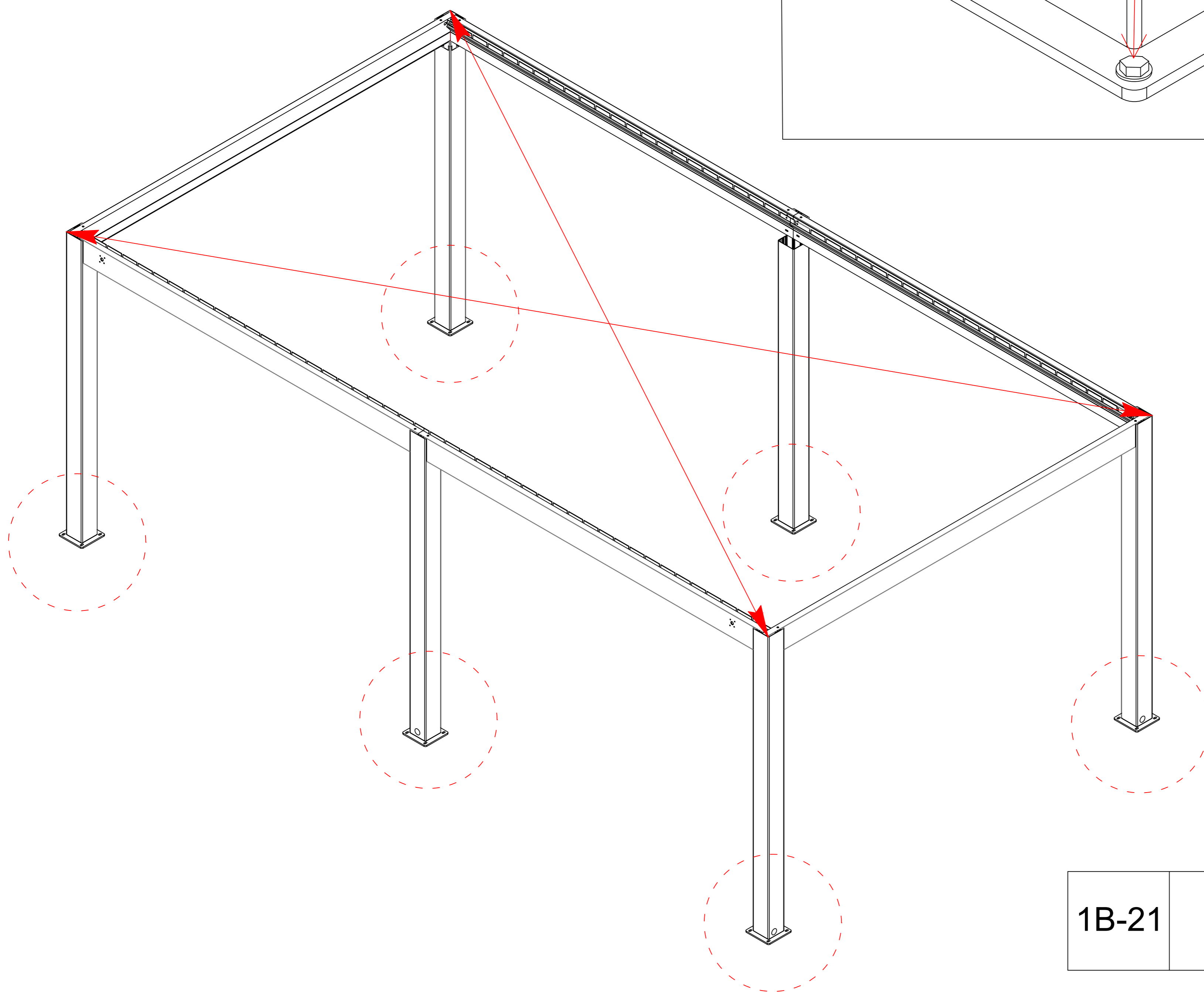
1B-21



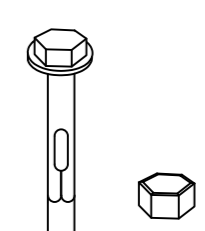
b



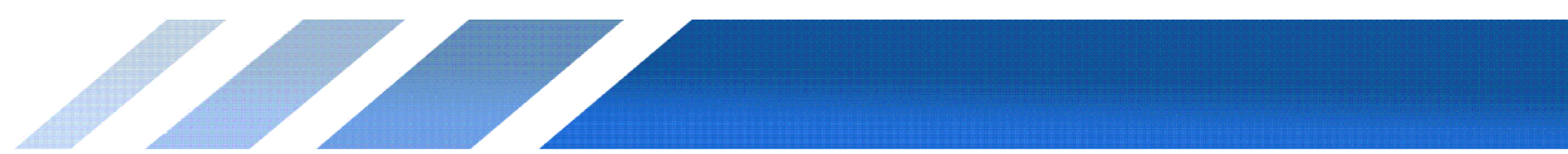
Pls measure the diagonal size and make sure the diagonal size keeps same before screw 1B-21 mounted. If not, pls adjust it to same size.

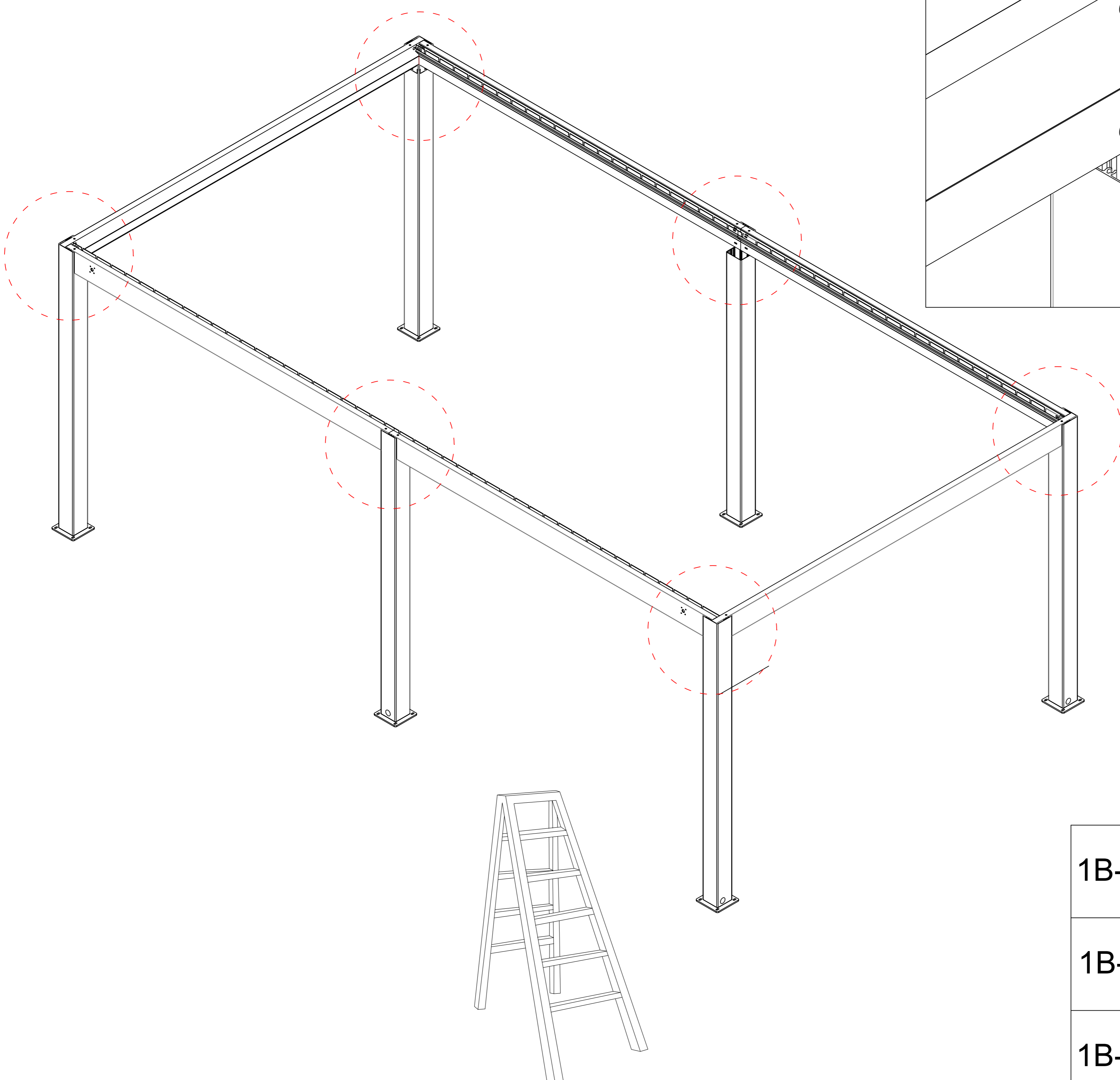
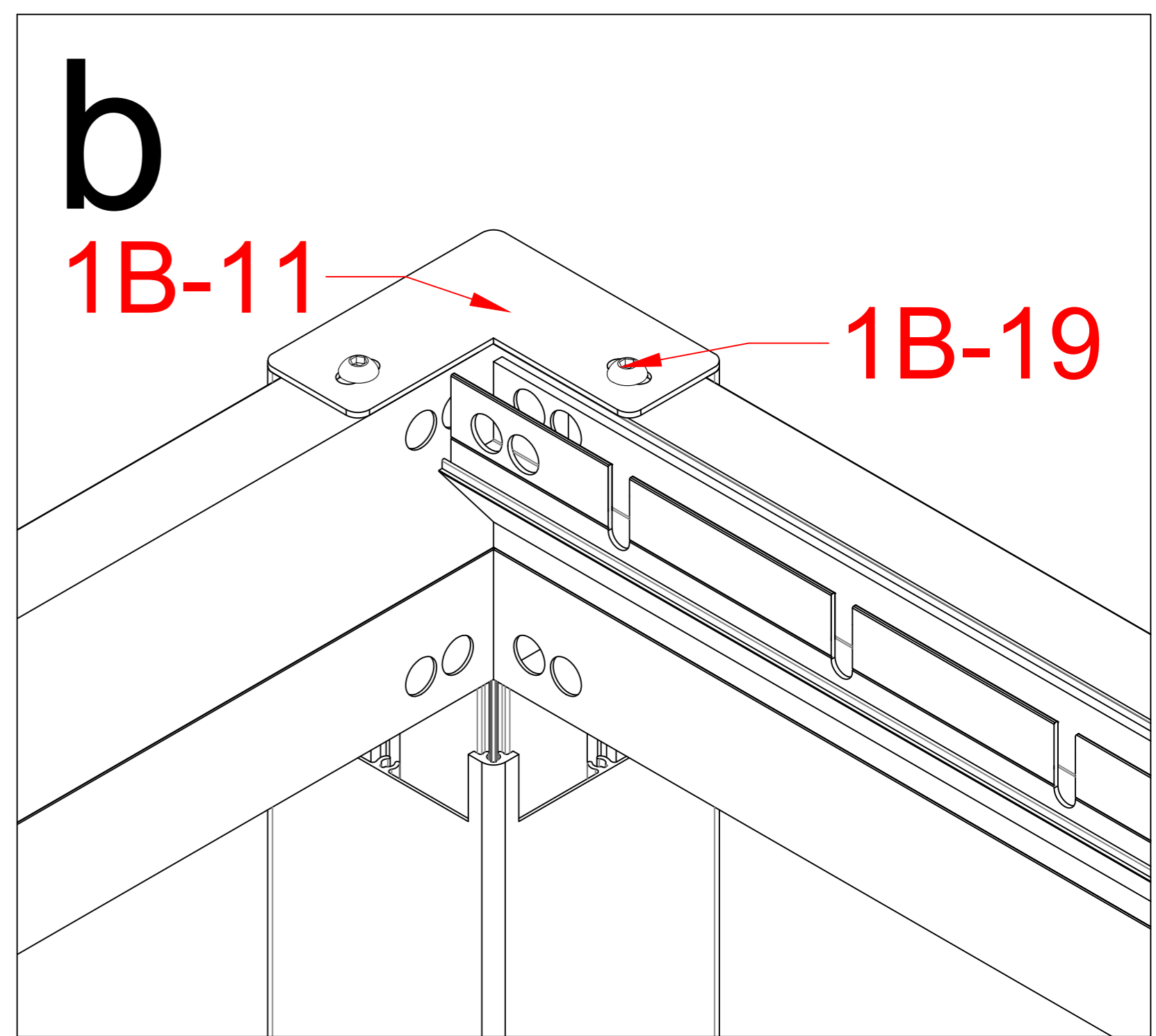
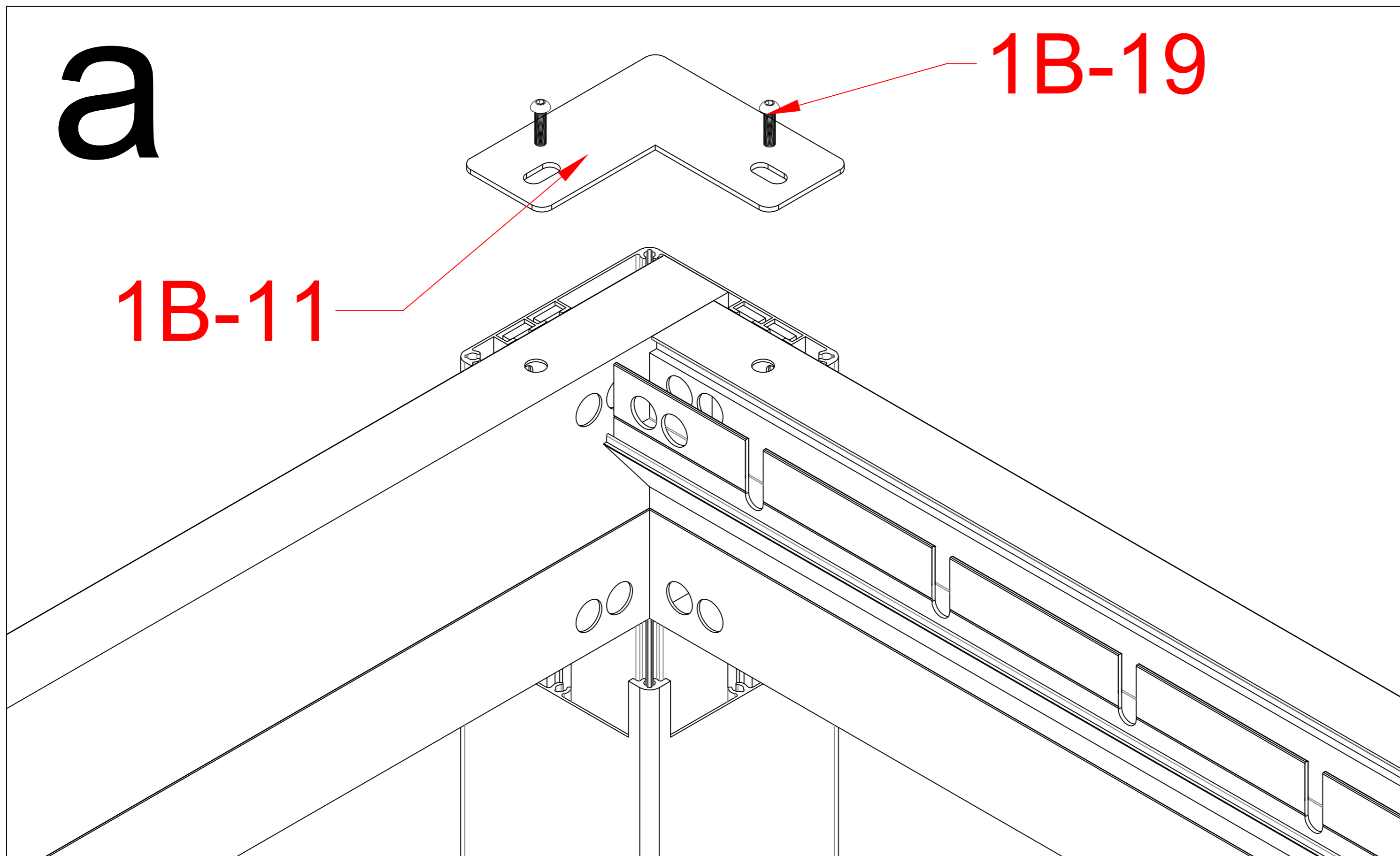


1B-21

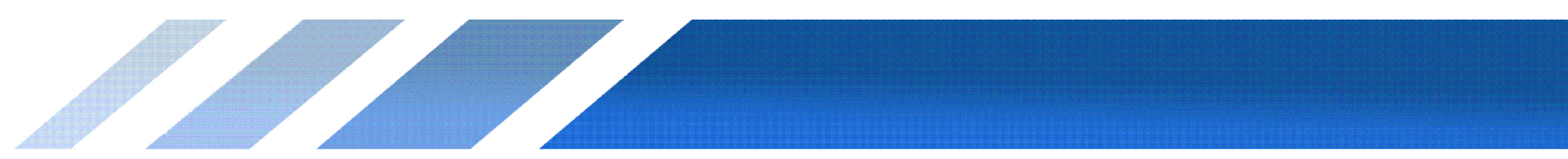


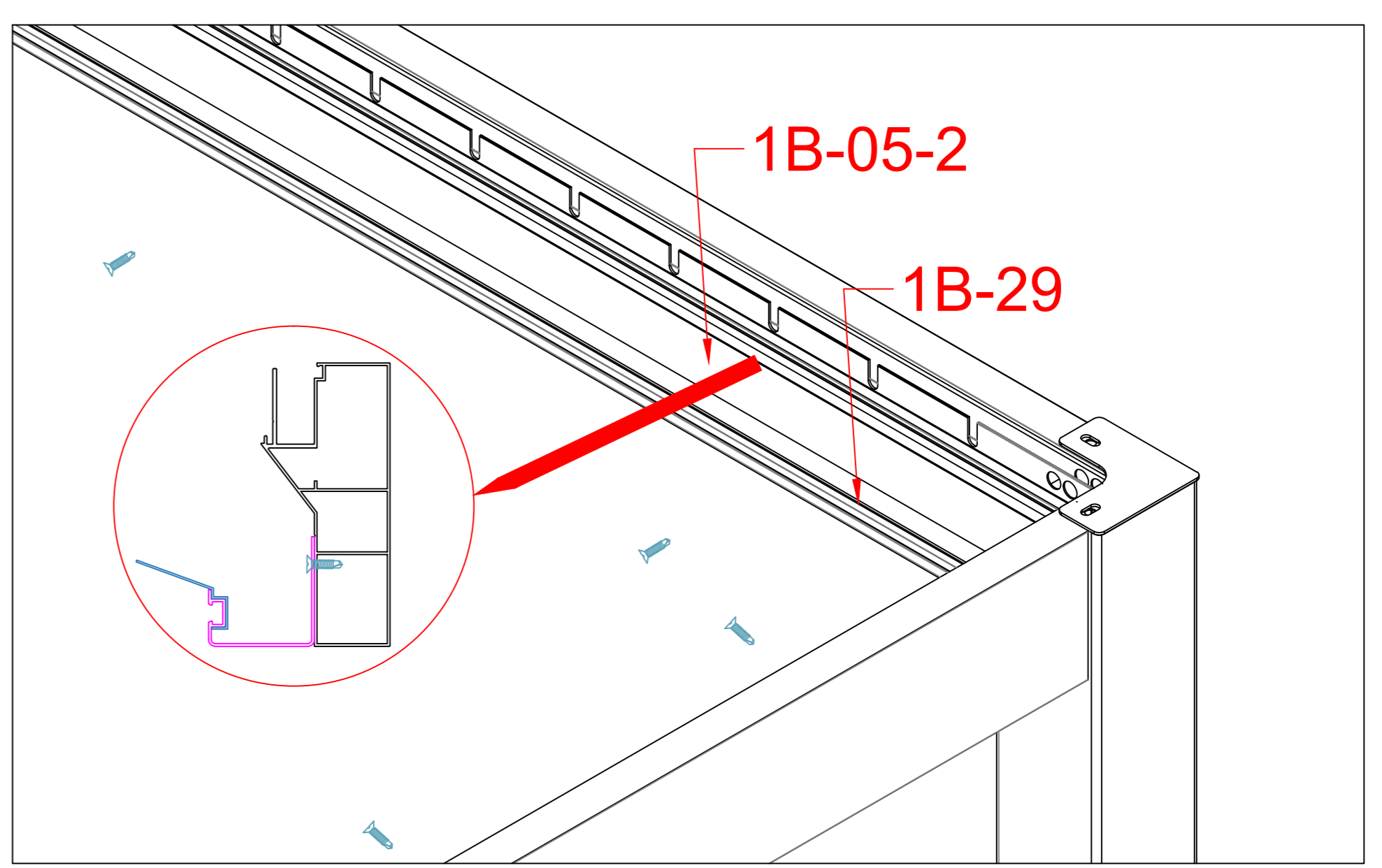
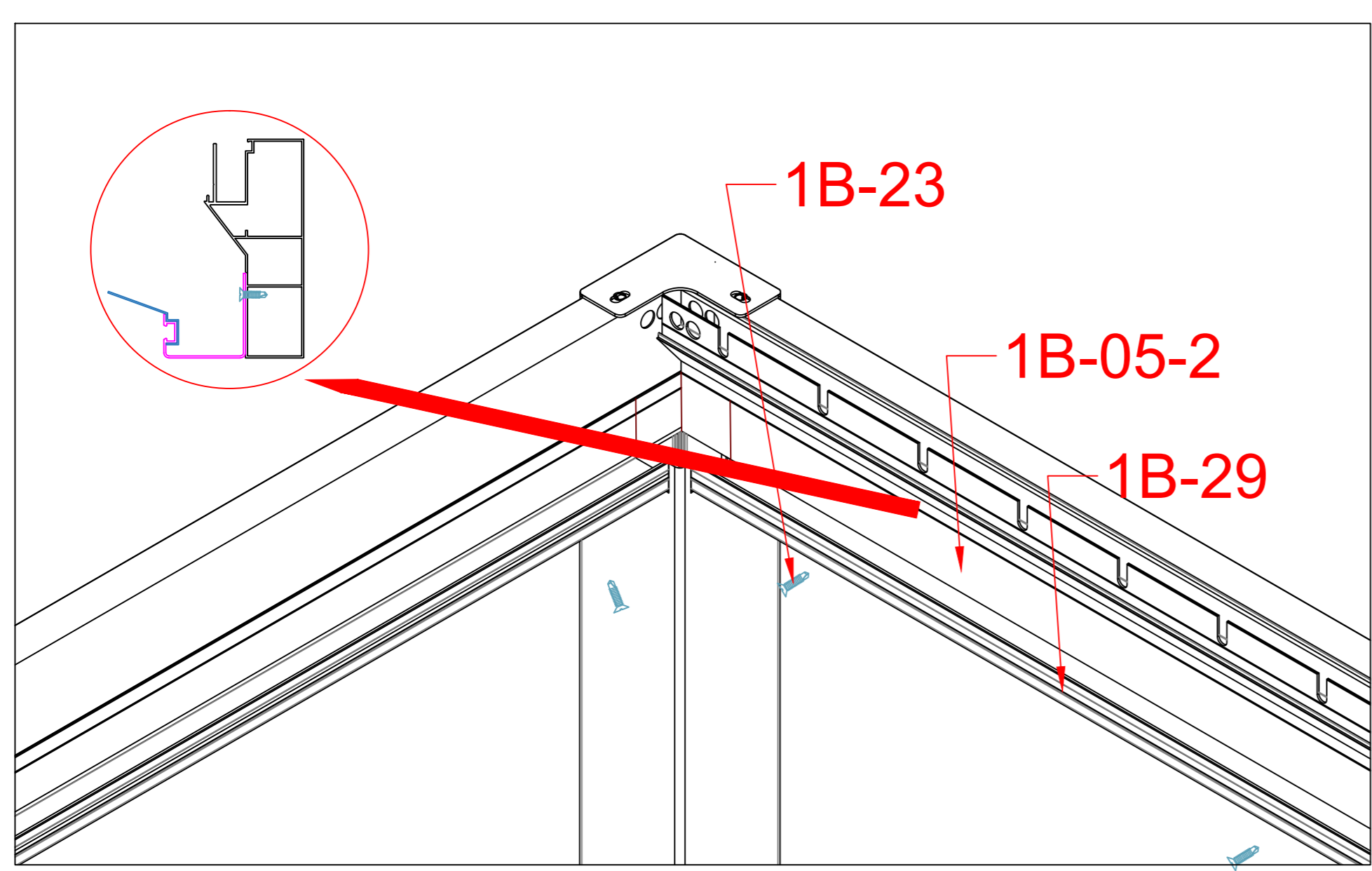
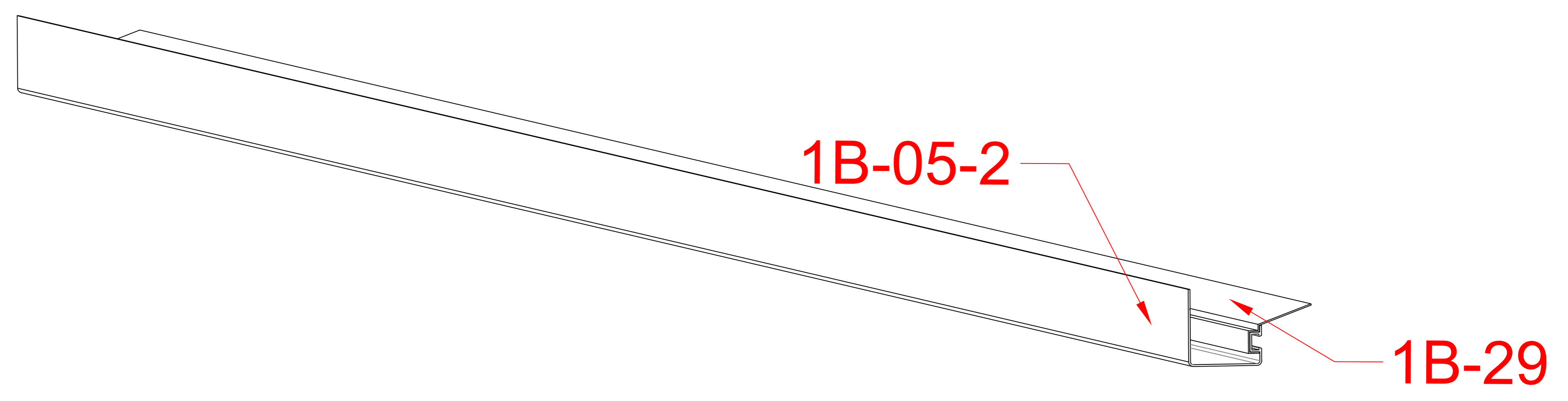
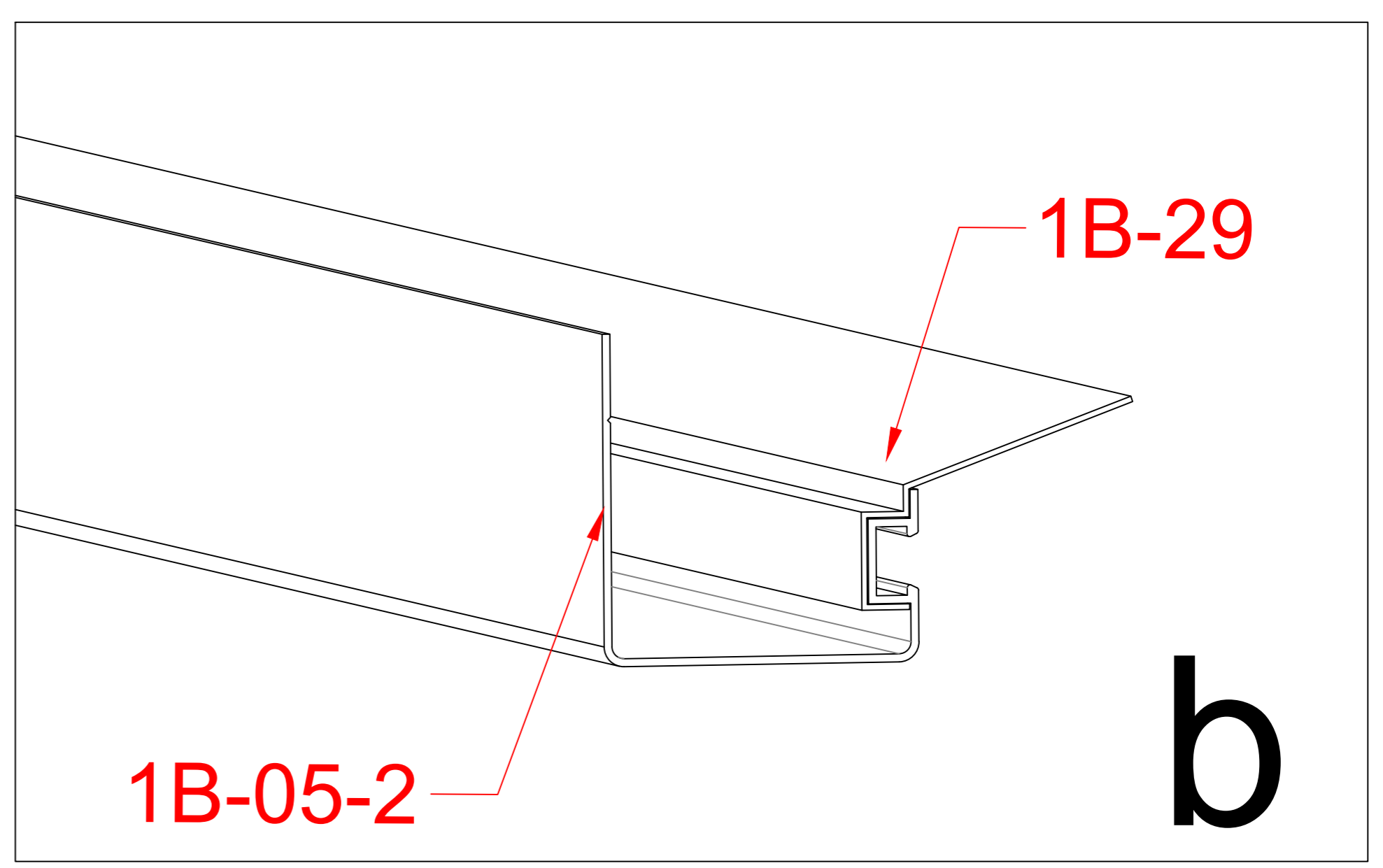
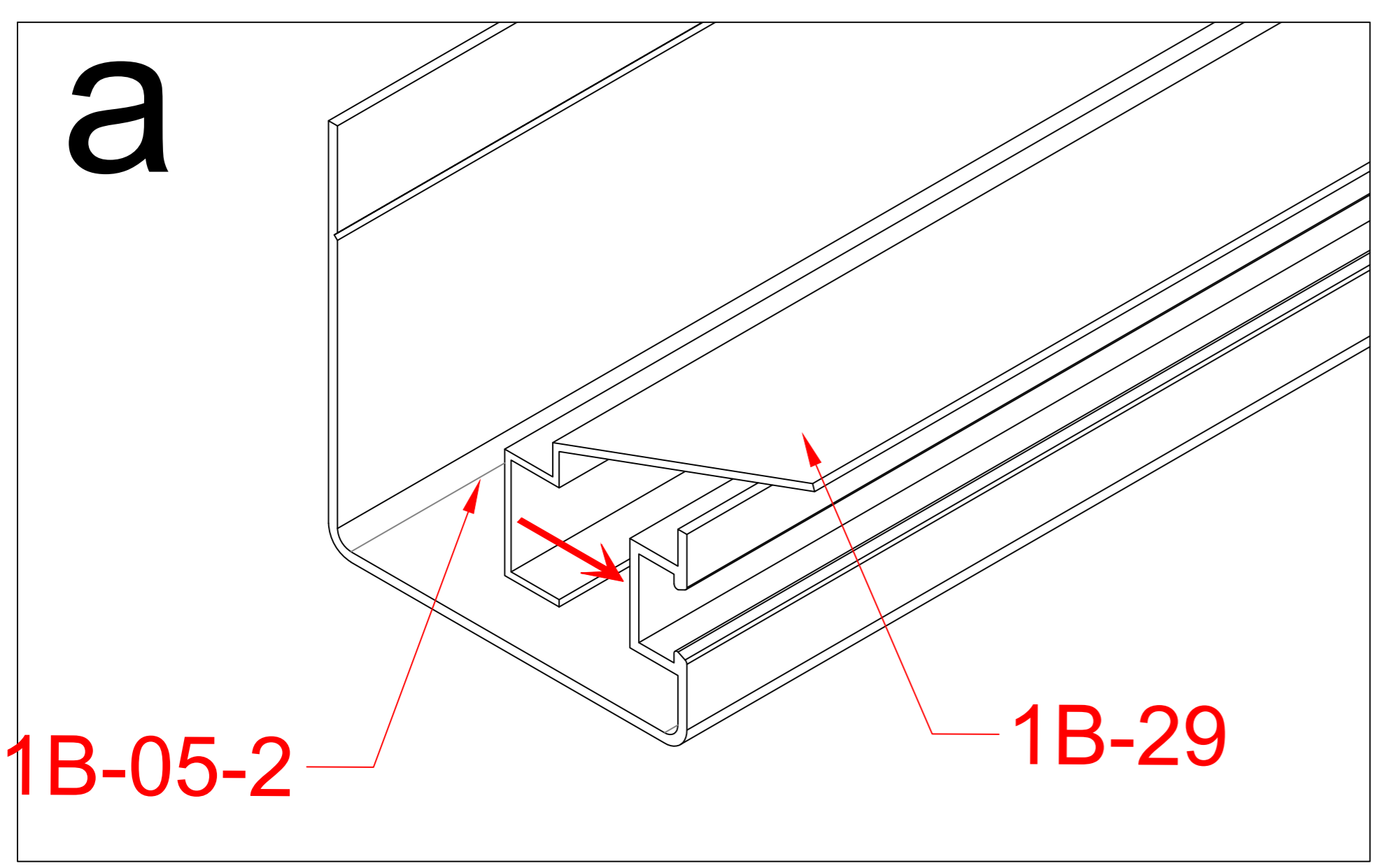
24

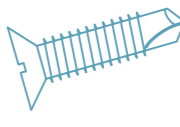




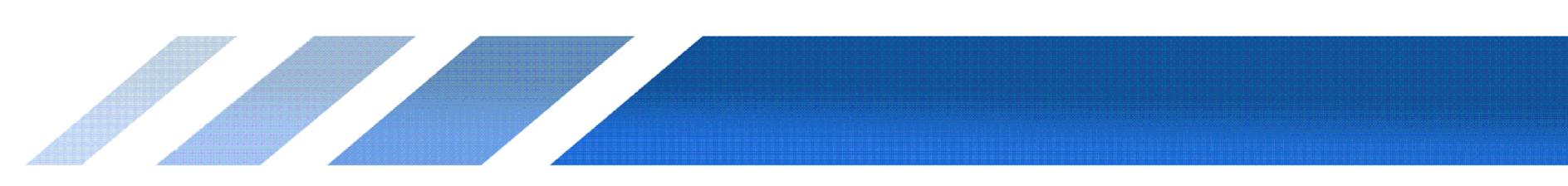


1B-26		2
1B-11		4
1B-19		12

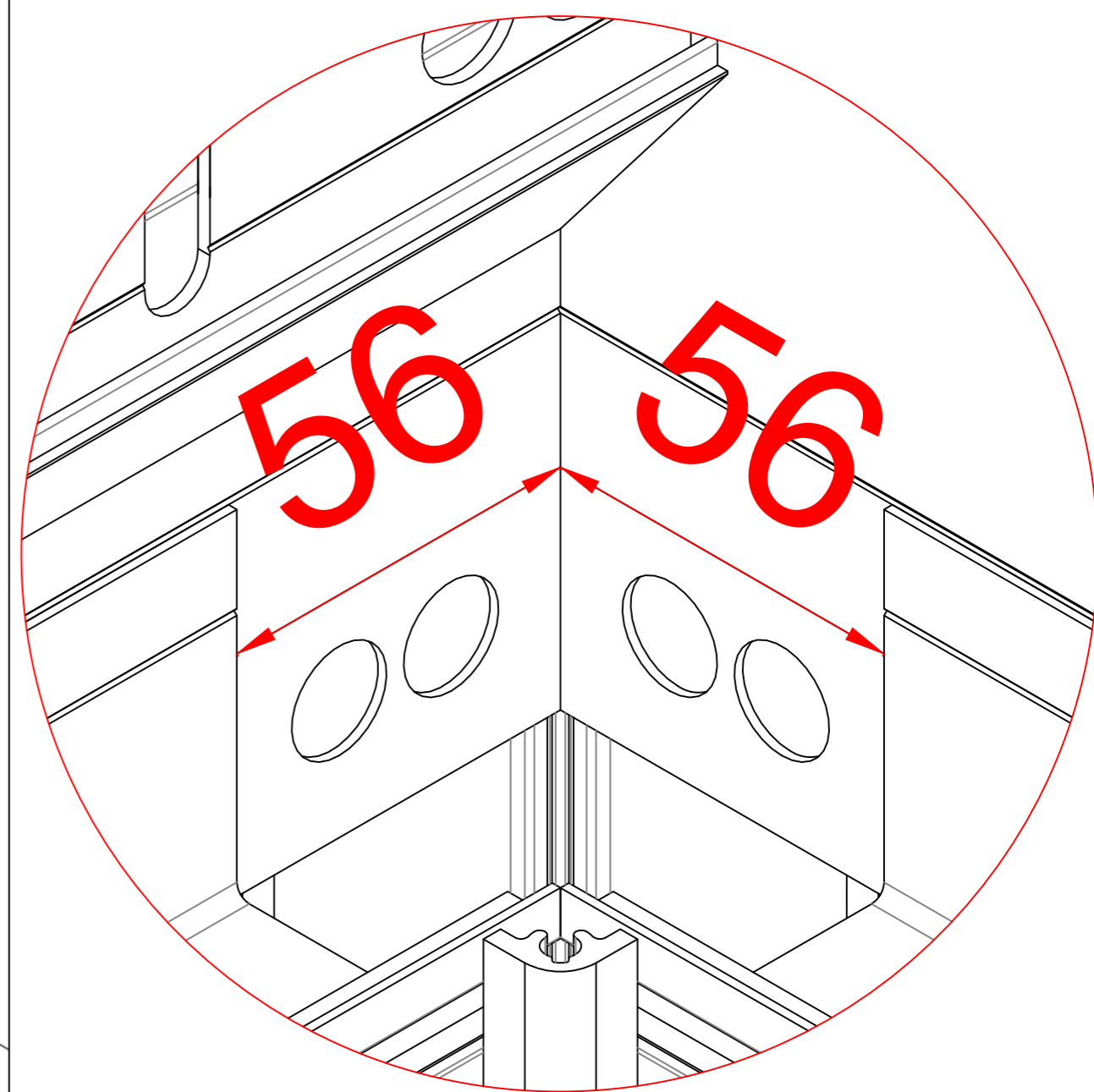
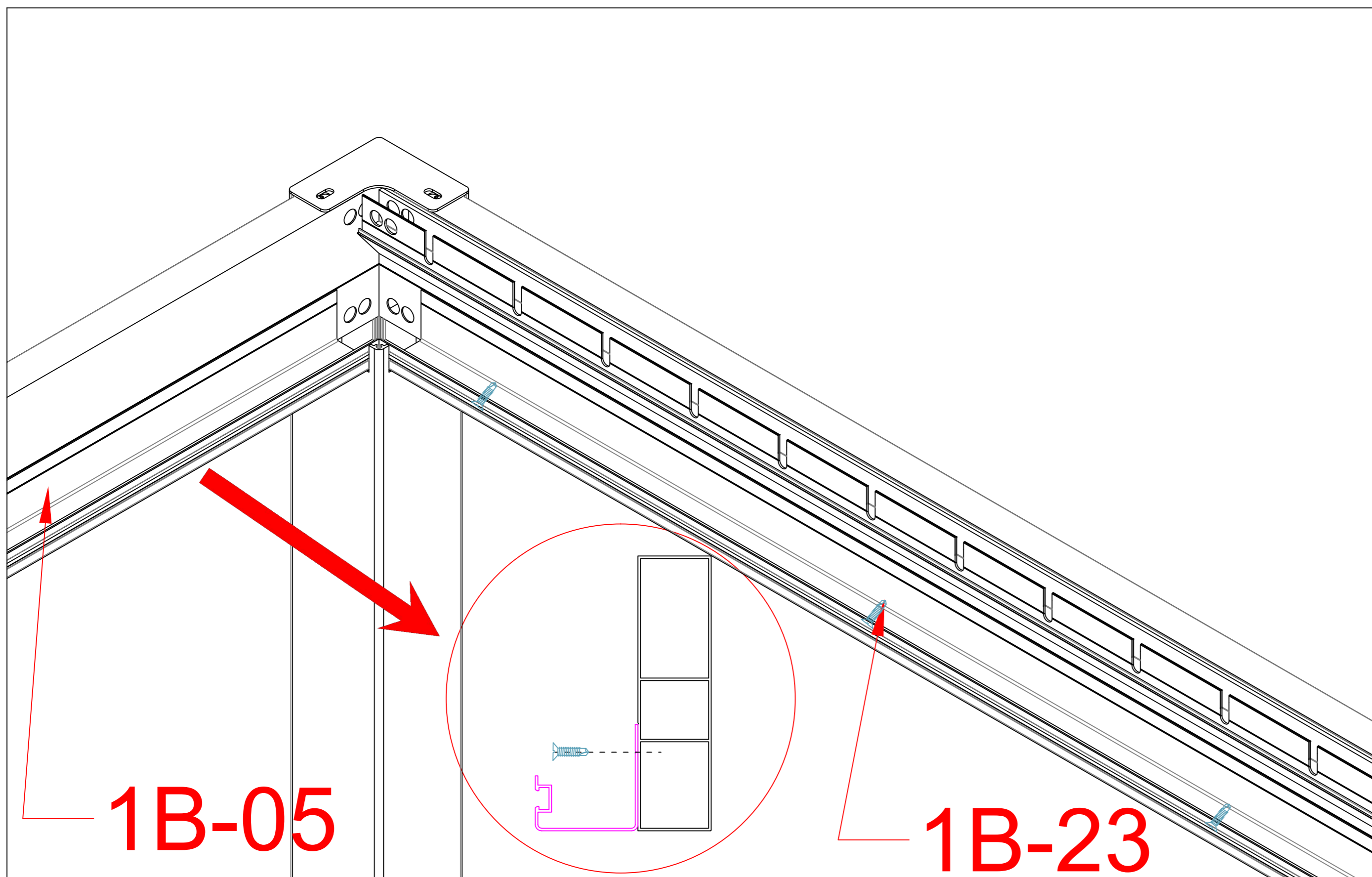




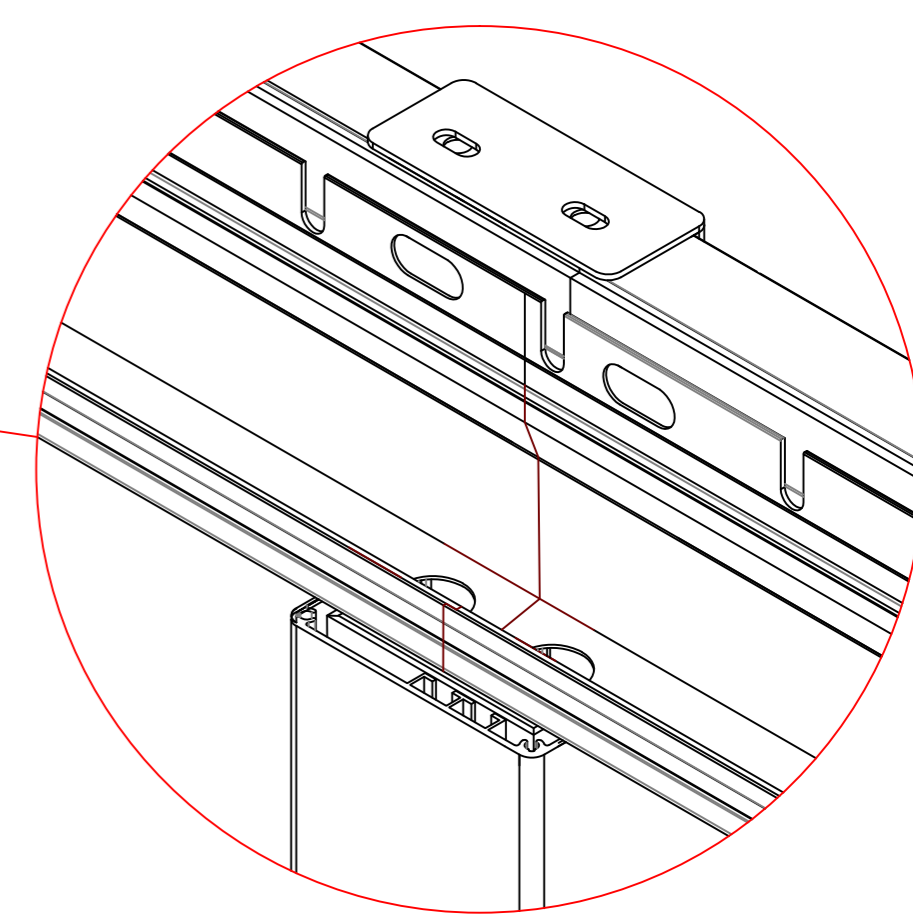
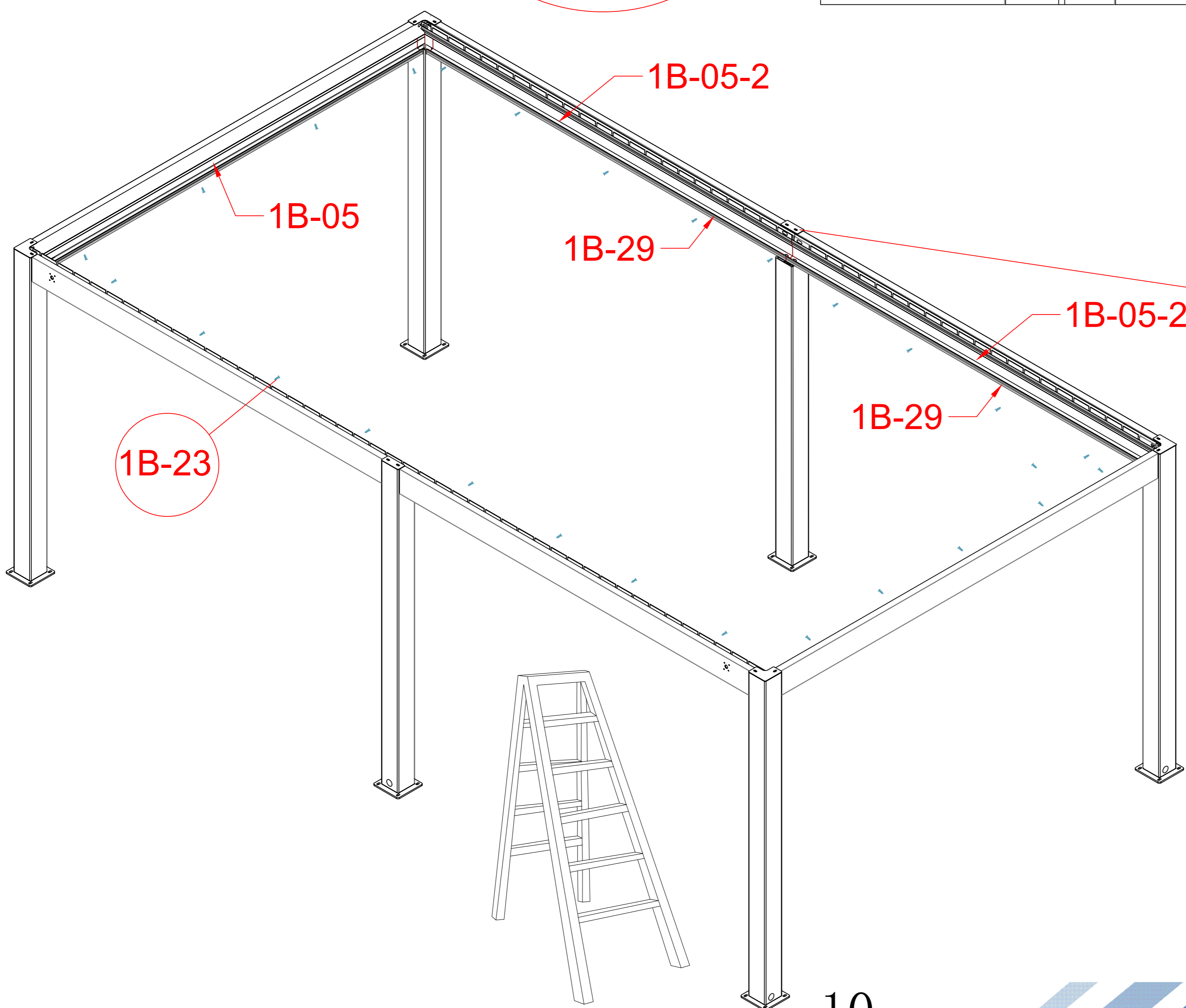
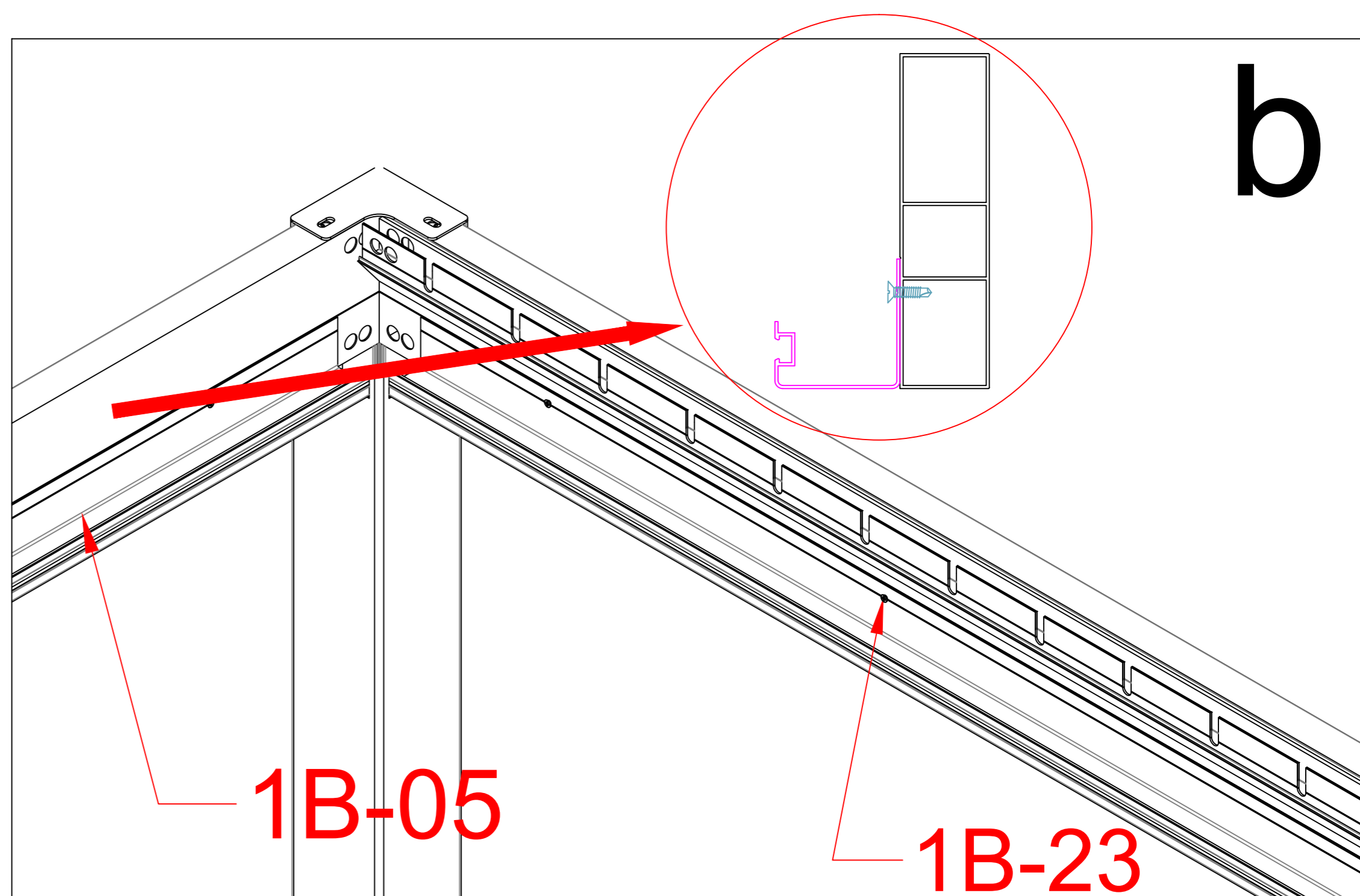
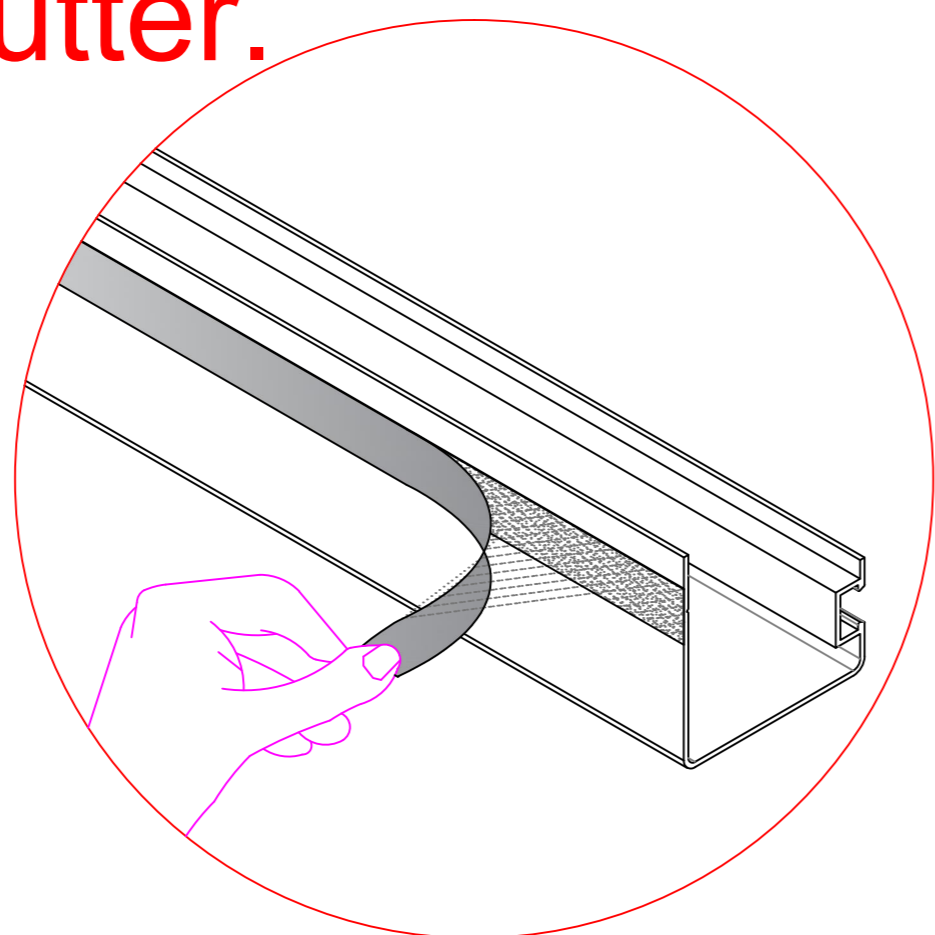
1B-23		x
1B-05-2		4
1B-29		4

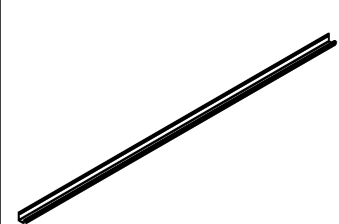
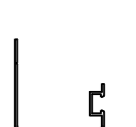
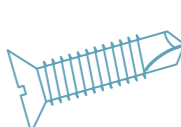


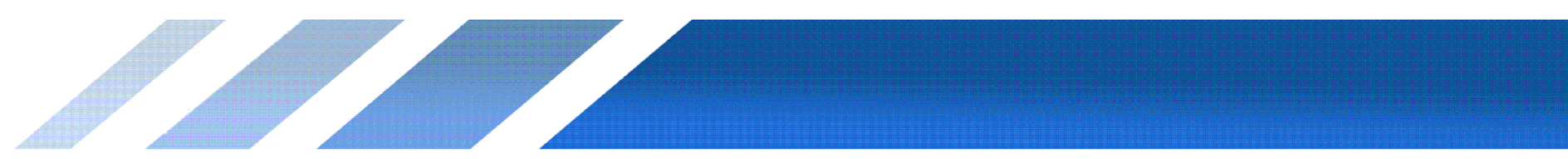




**Warning:**  
Before installation, tear off the protective film of the tape on the back side of Gutter.

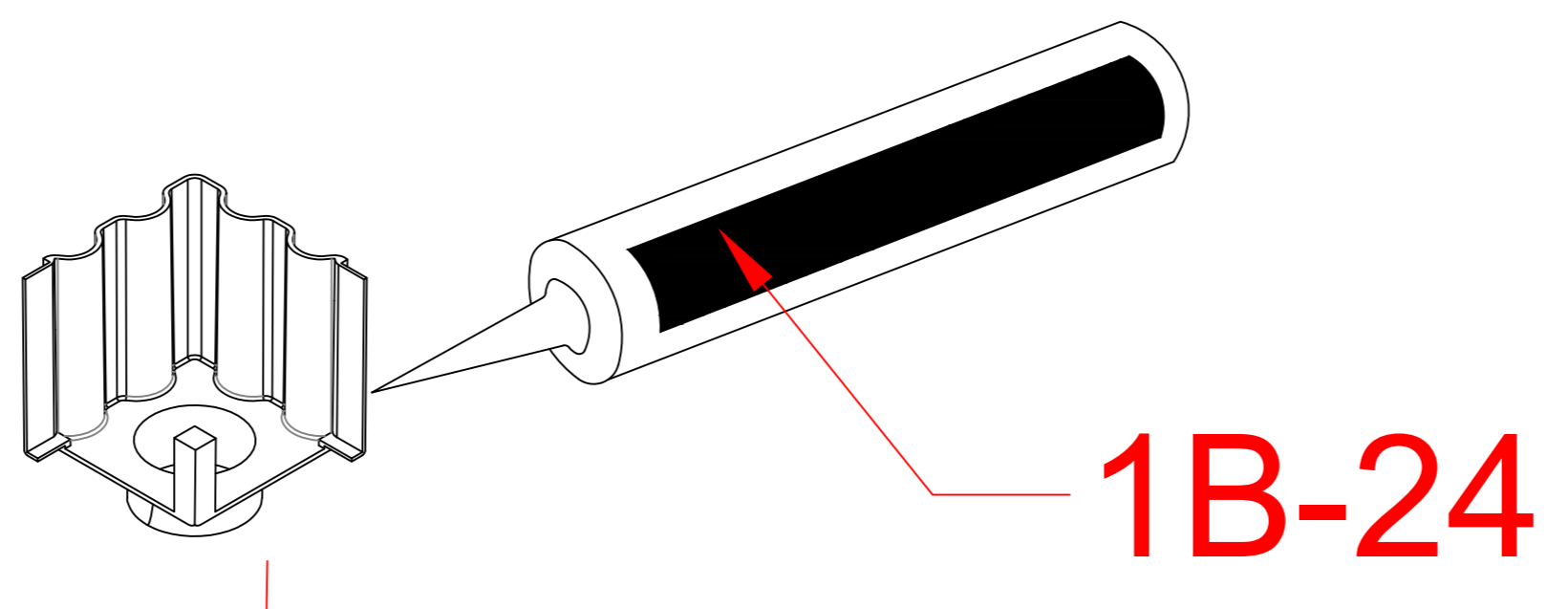


1B-05			2
1B-23			x

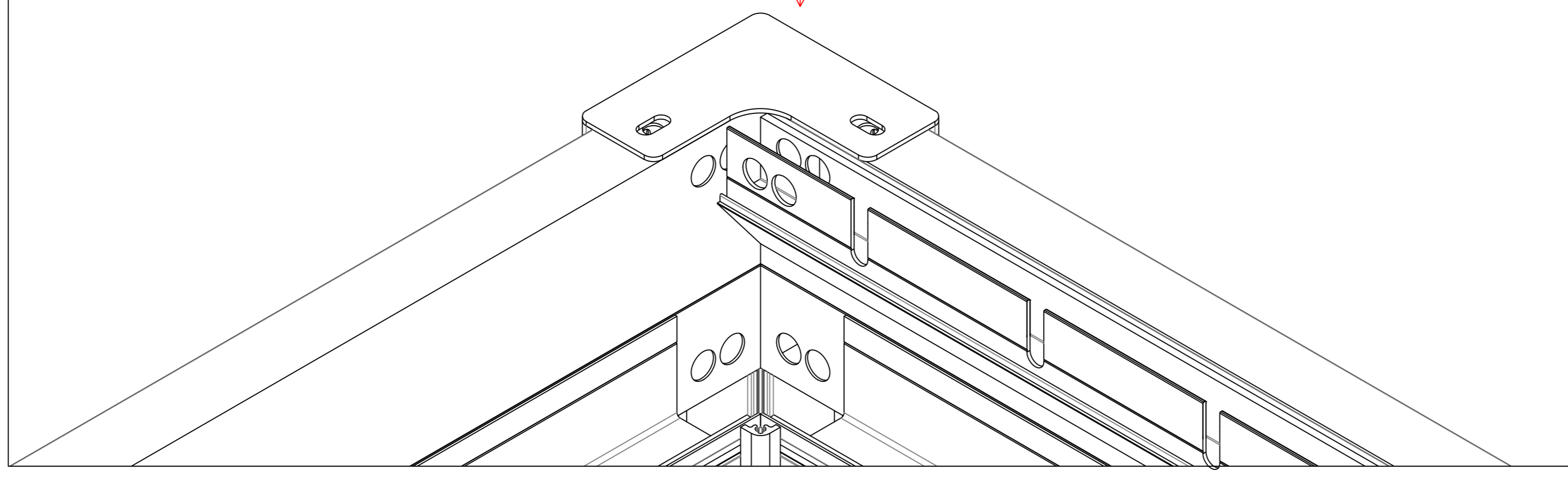




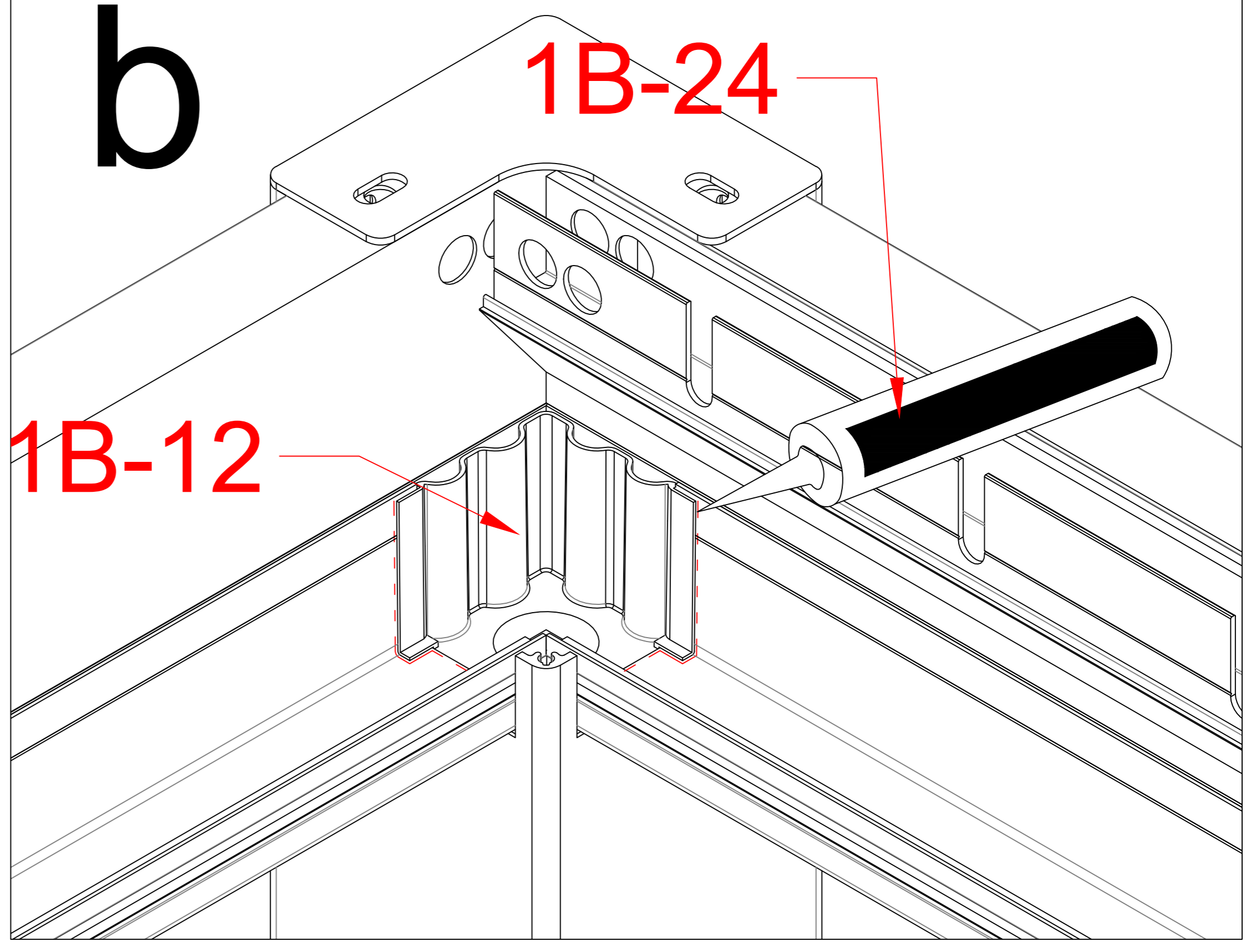
a



1B-24

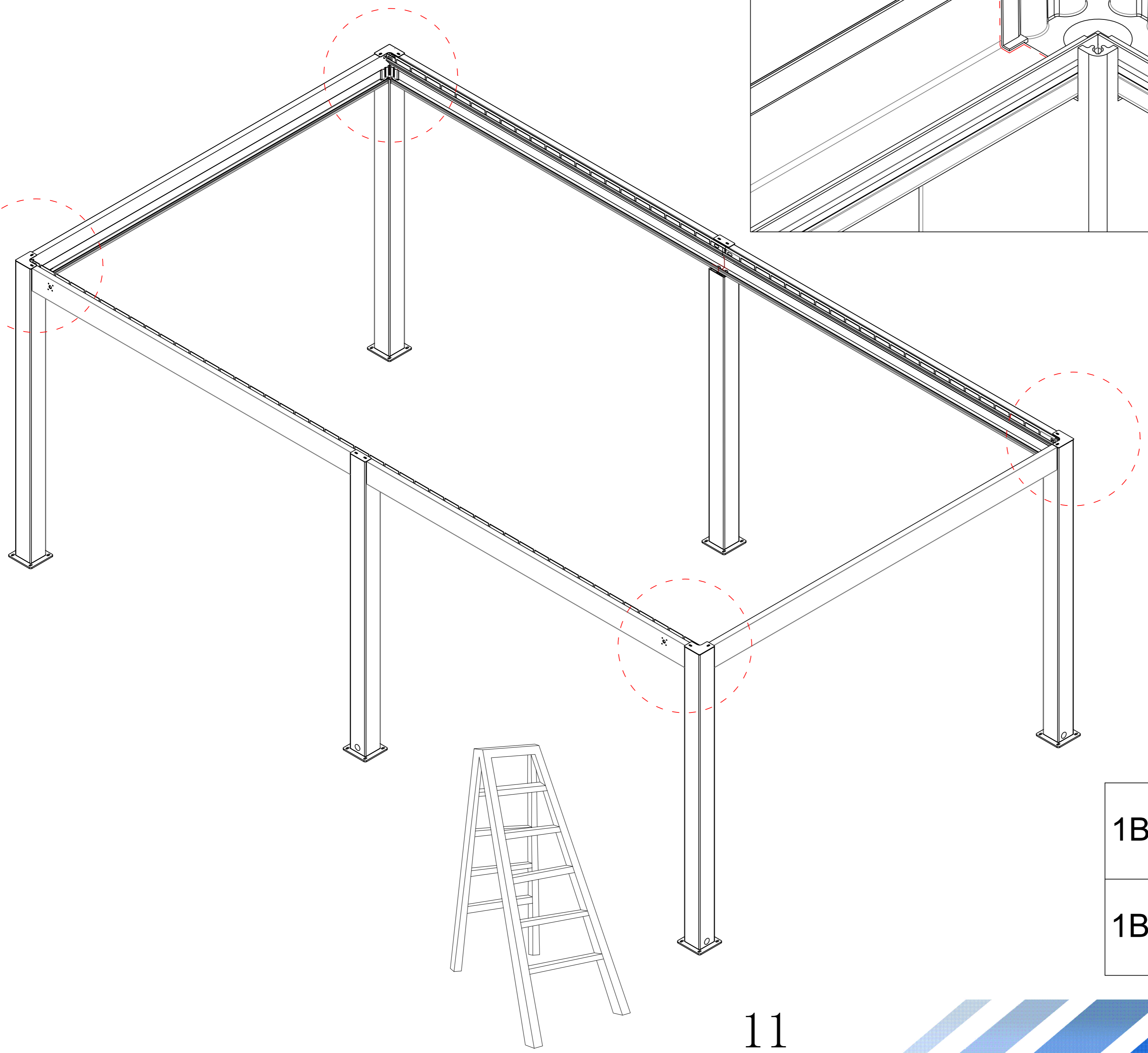


b

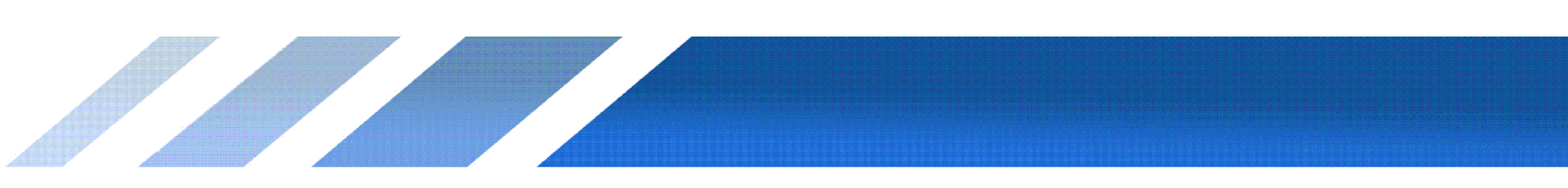


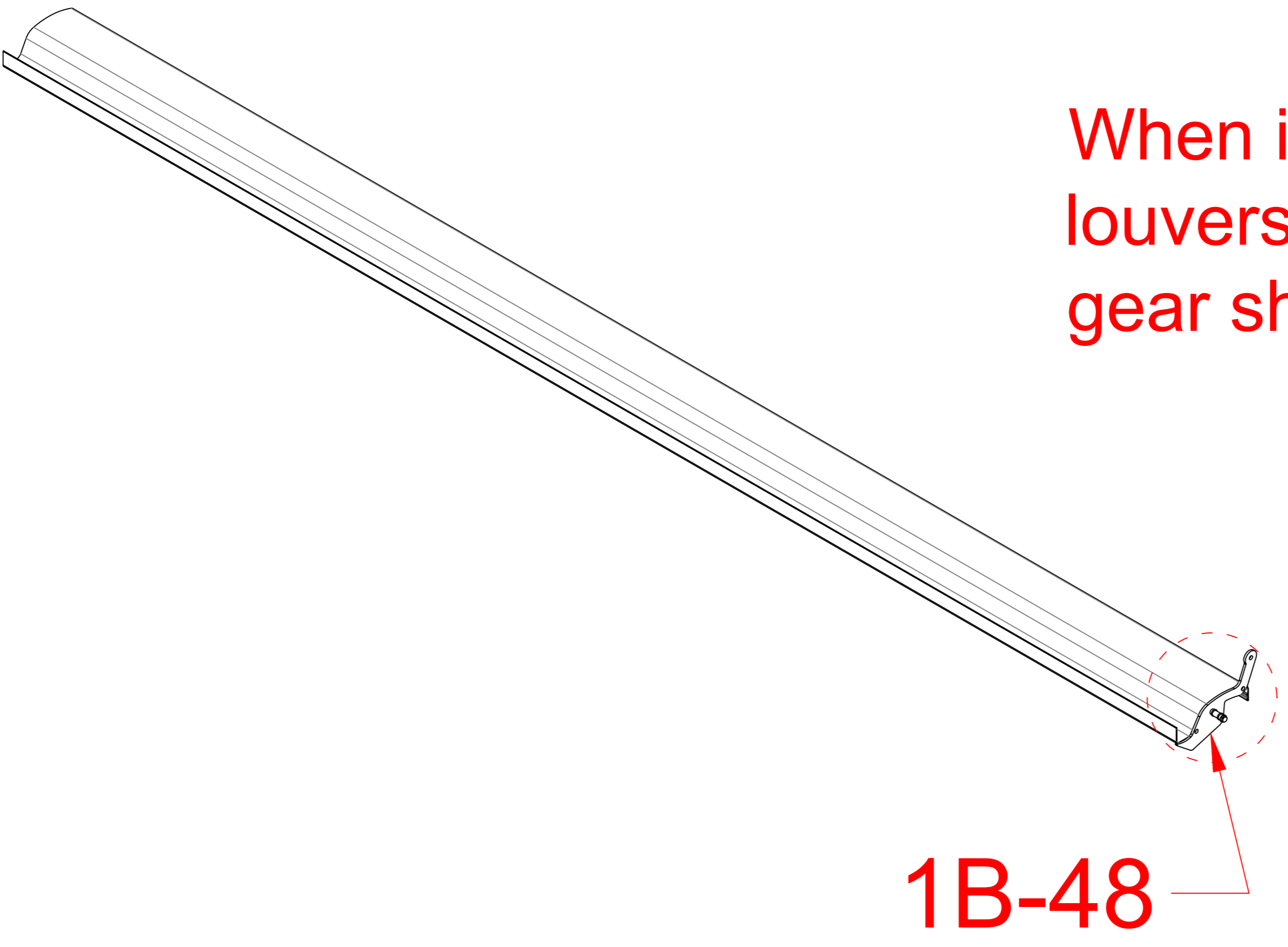
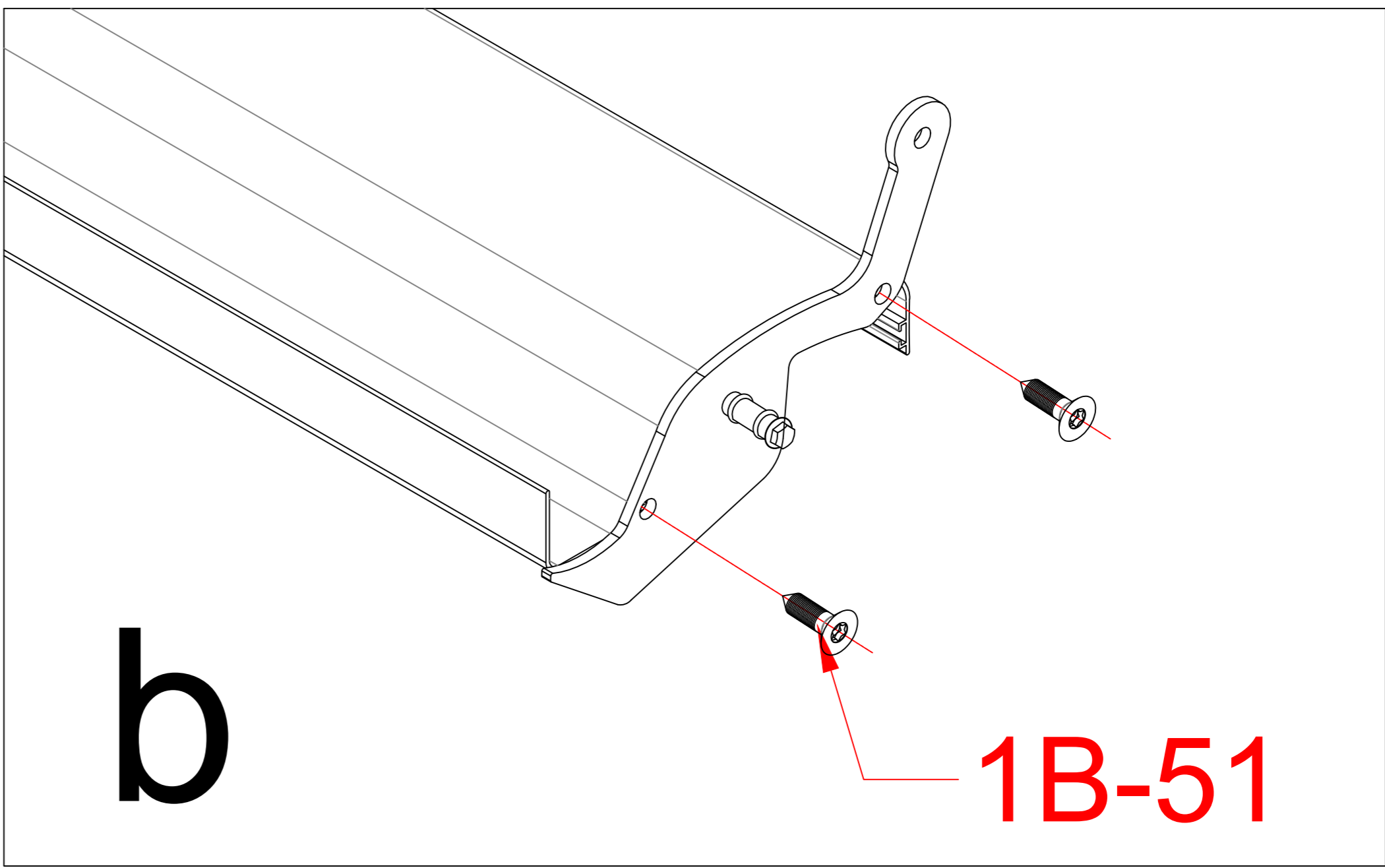
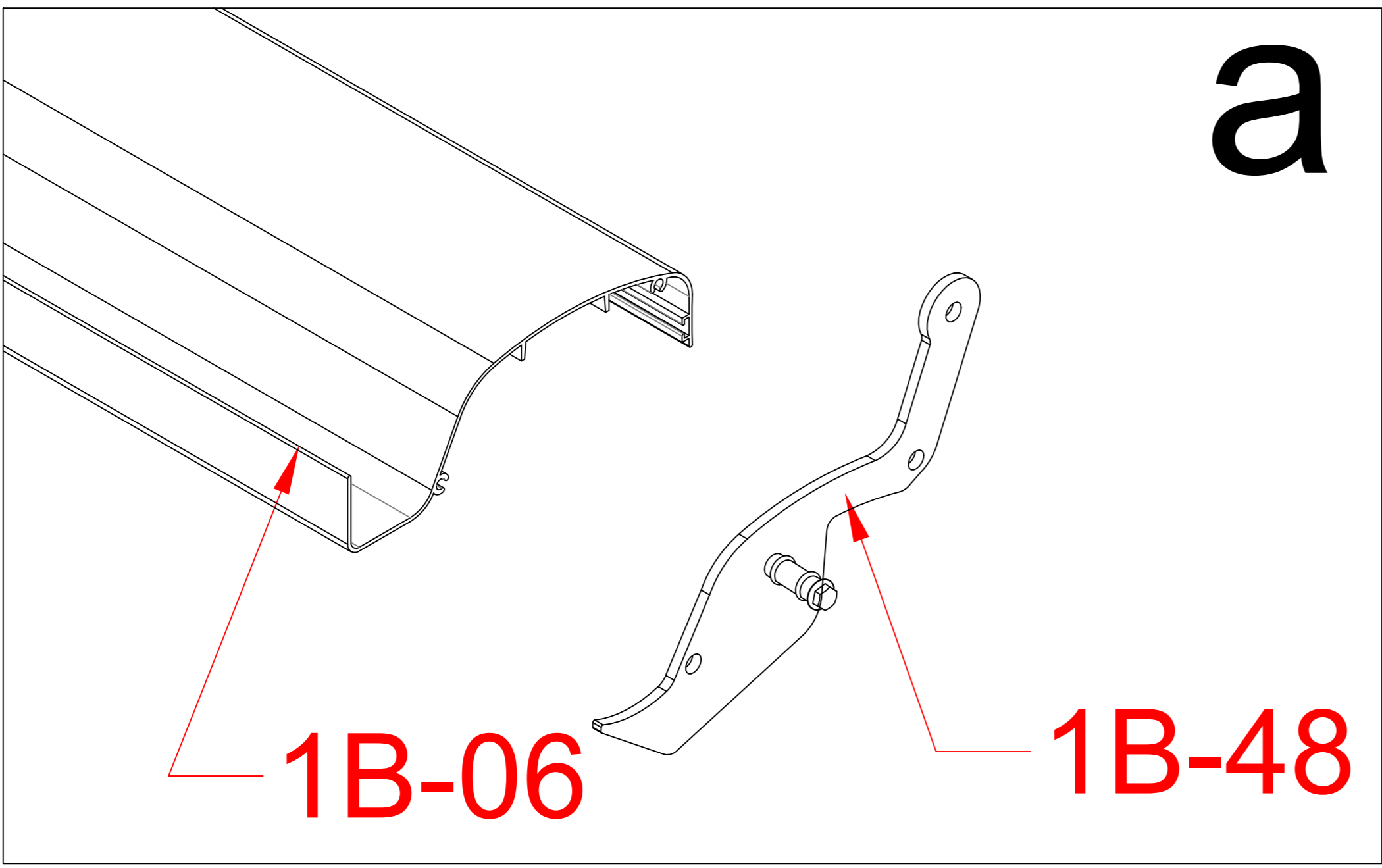
1B-24

1B-12

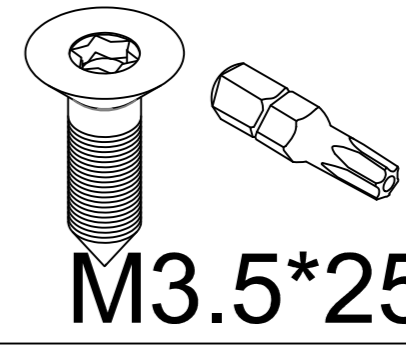
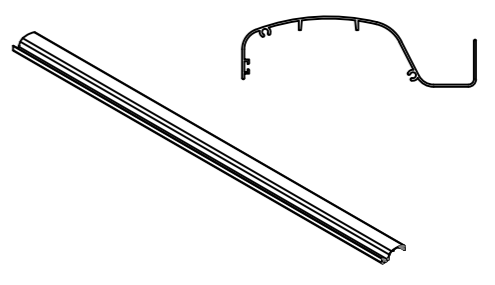
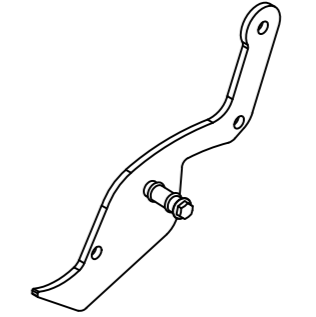


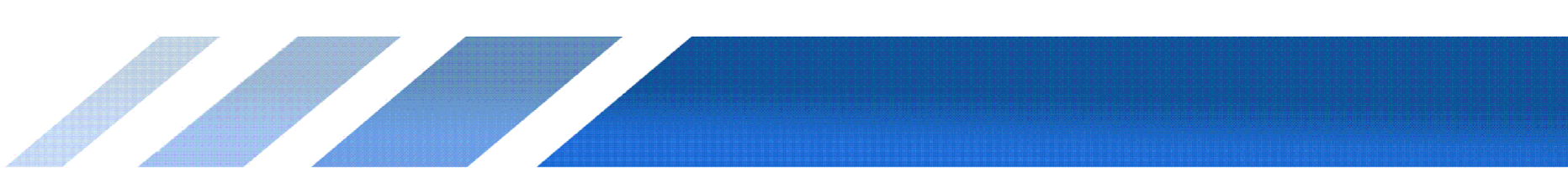
1B-24		1
1B-12		4

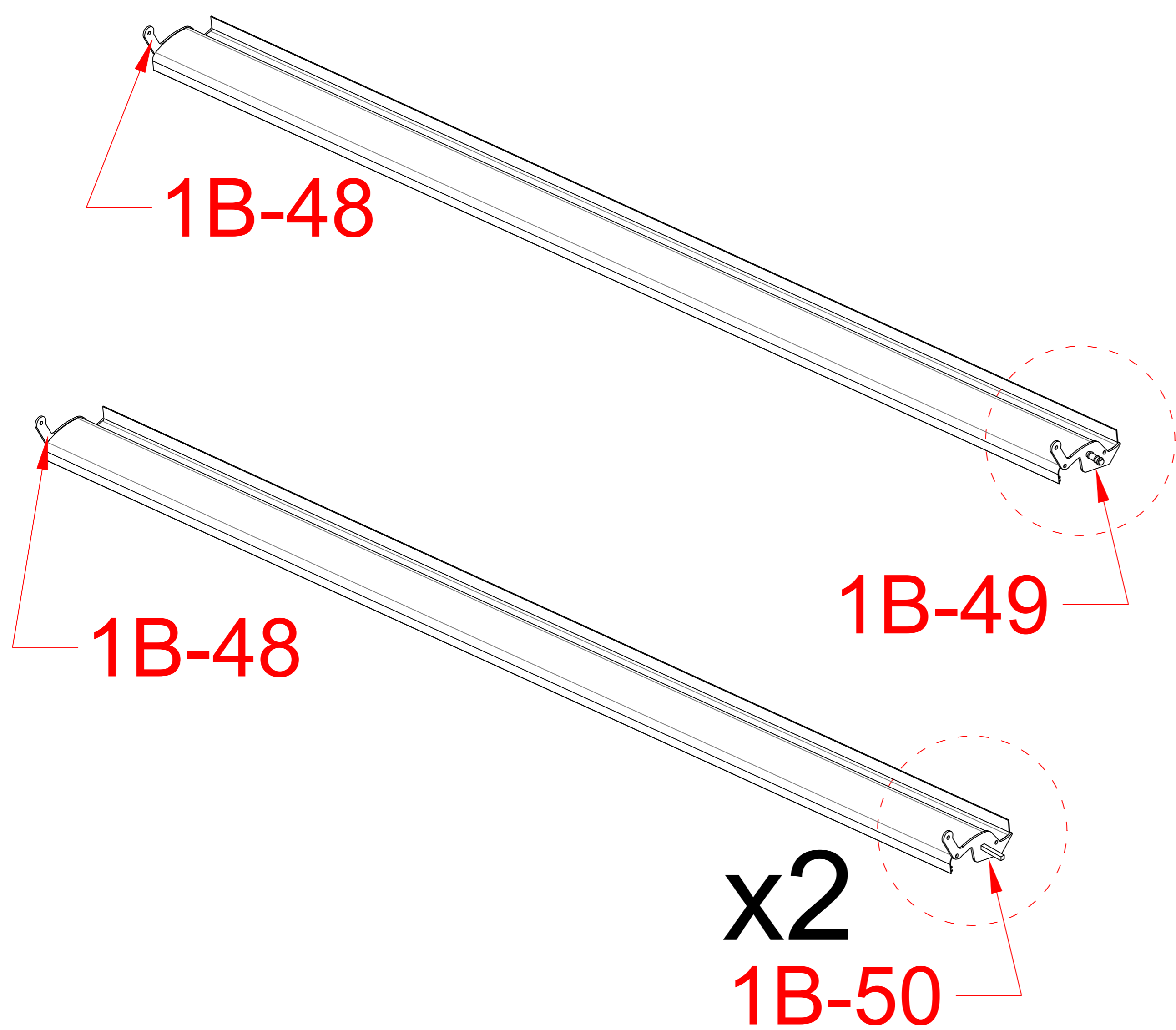
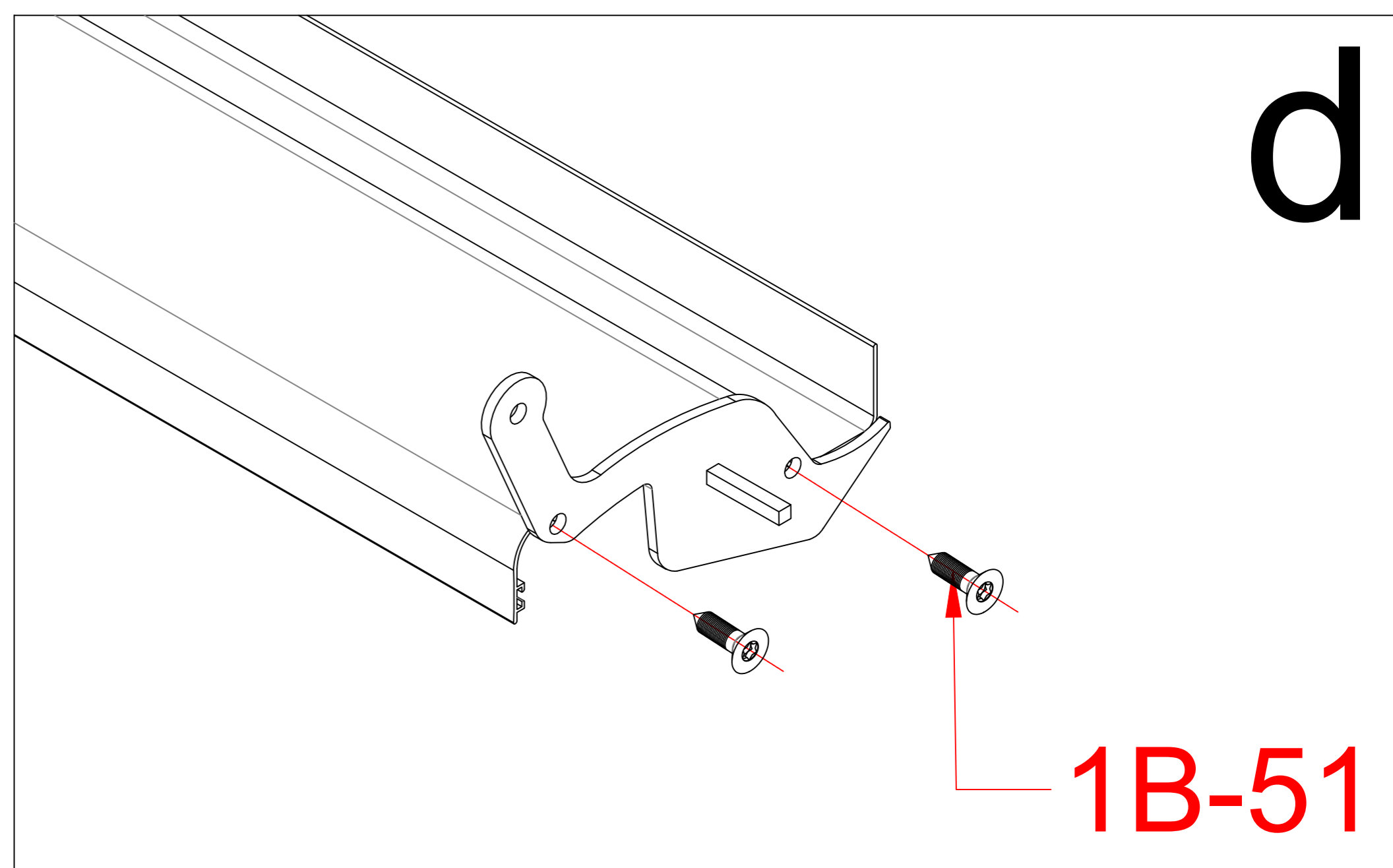
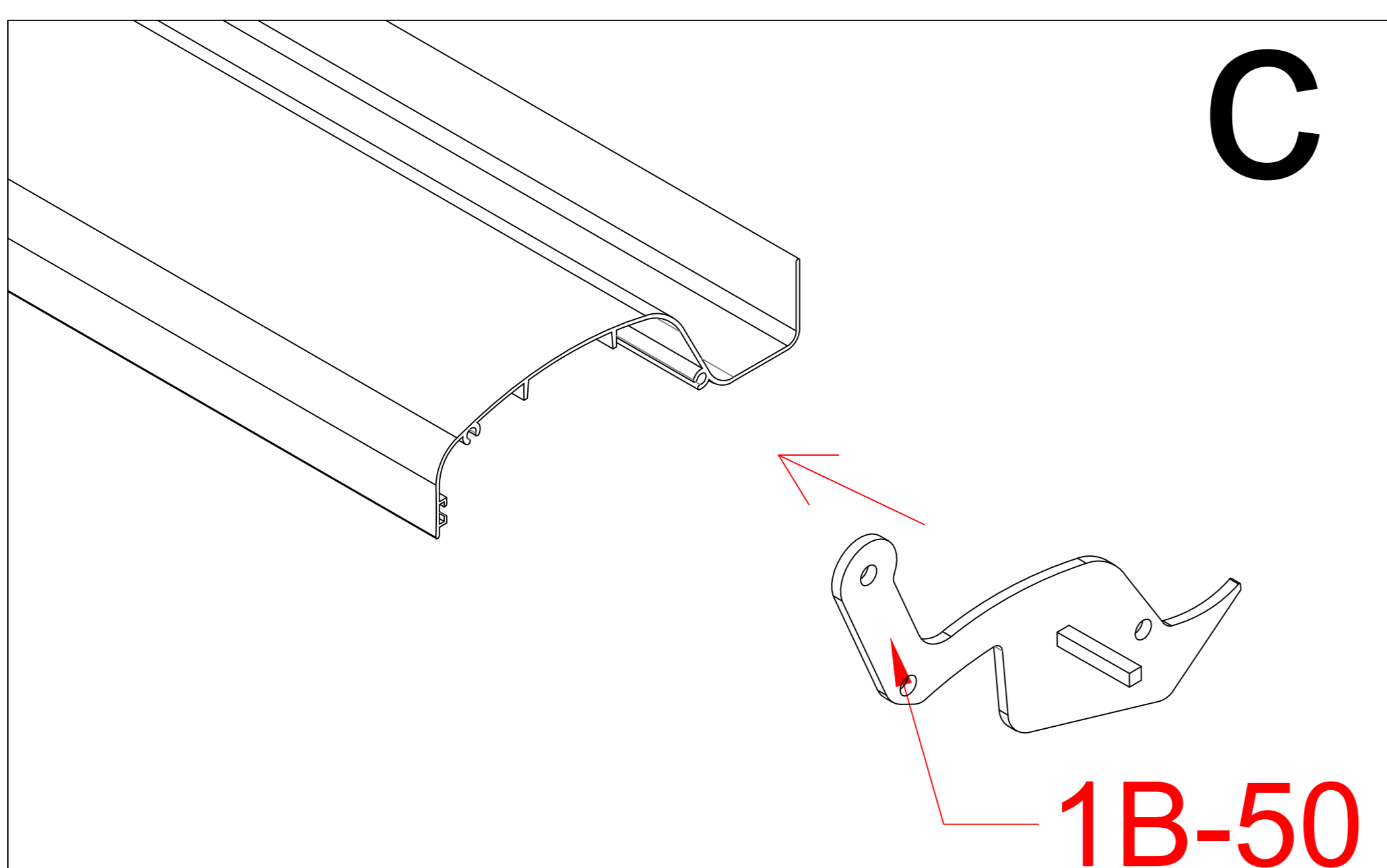
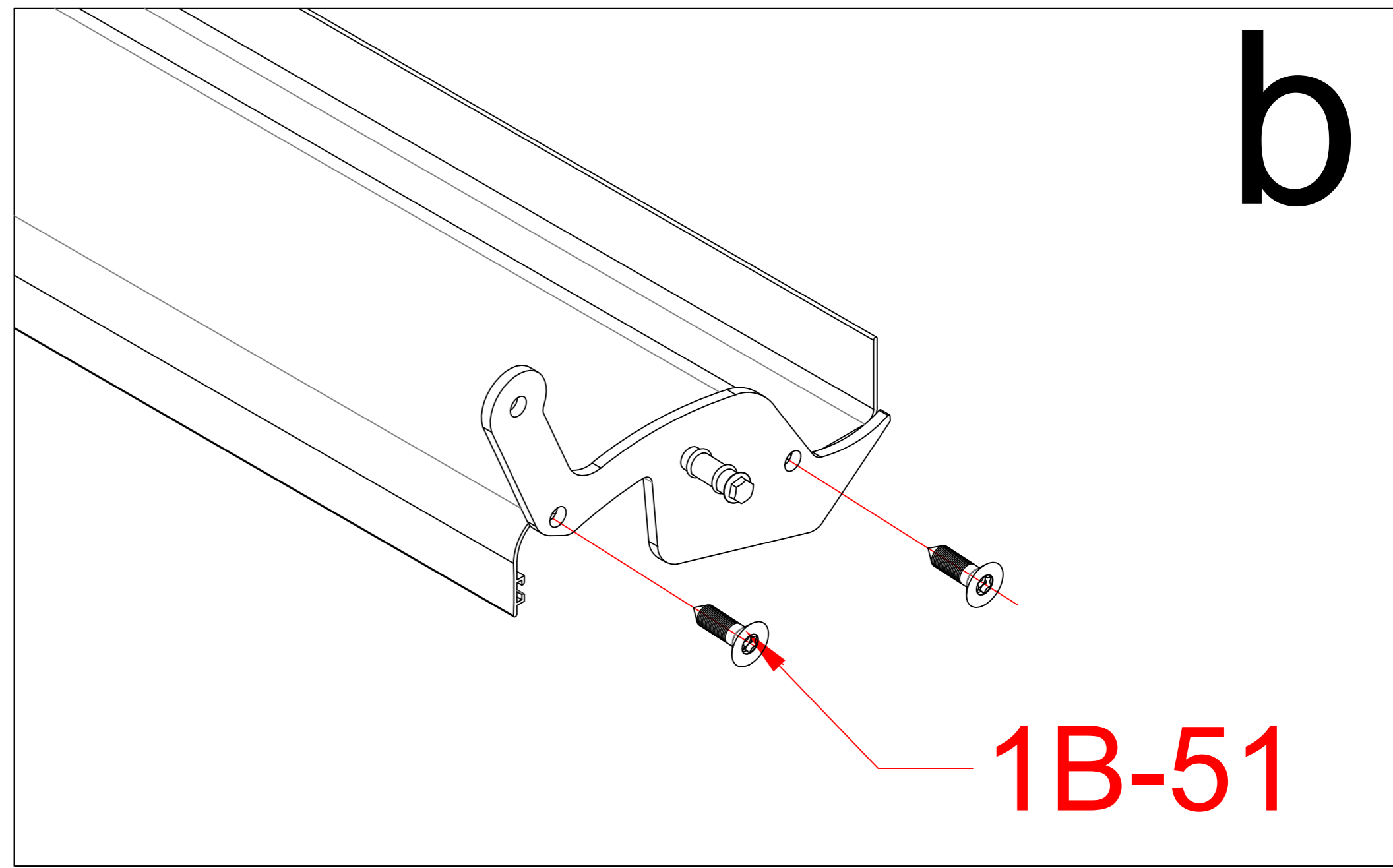
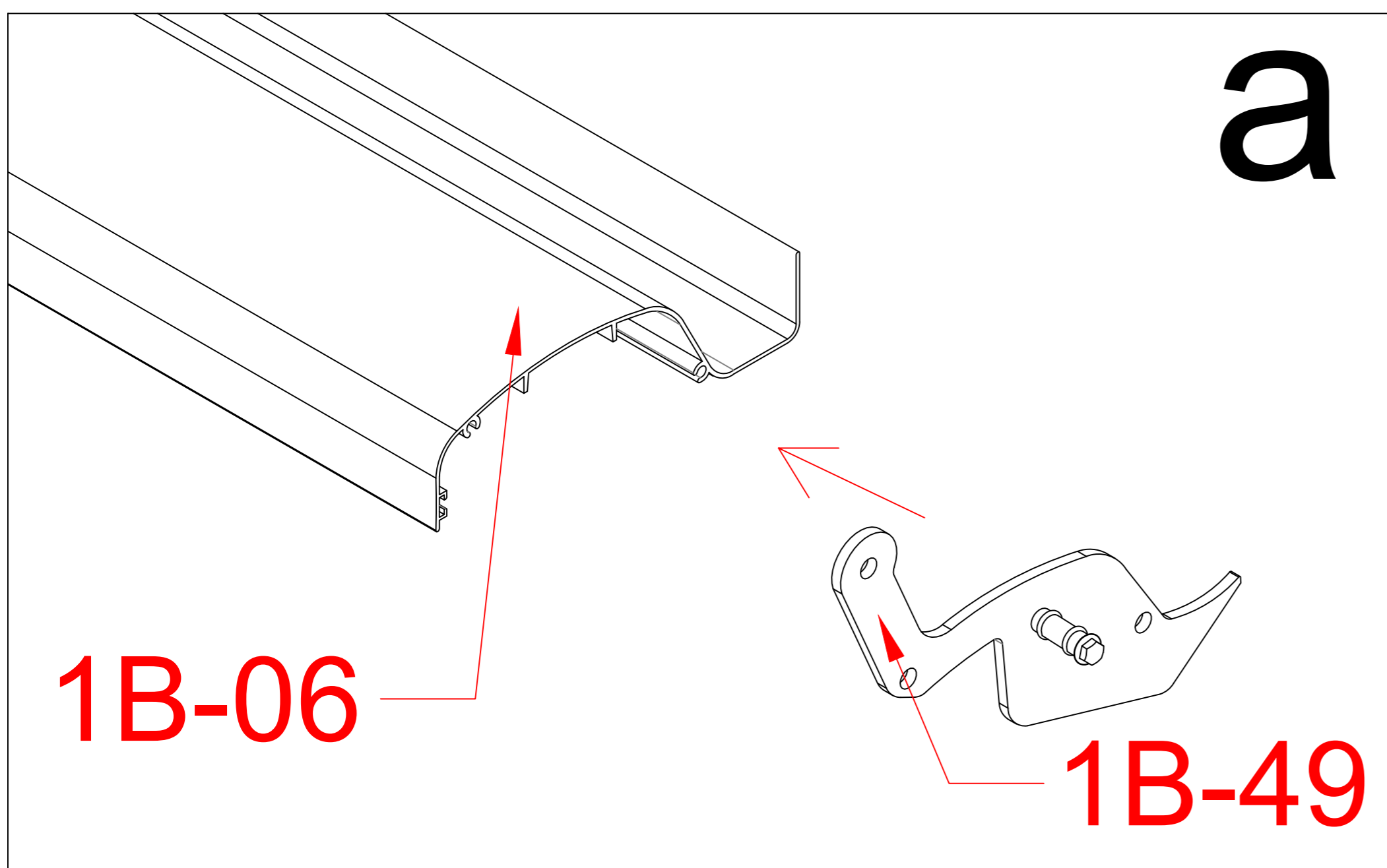




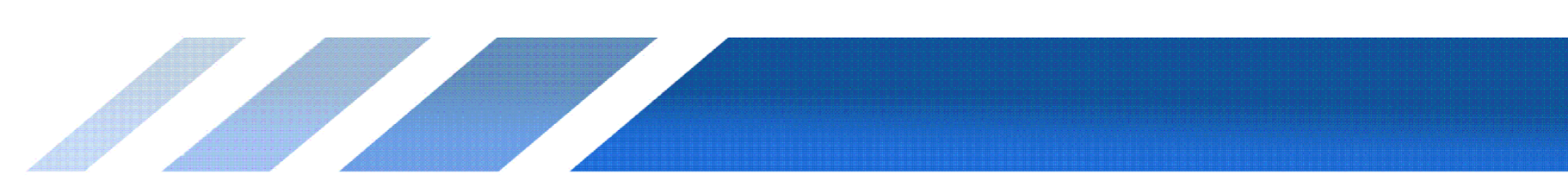
When installing the end cap for louvers, pls don't use the highest gear shift.

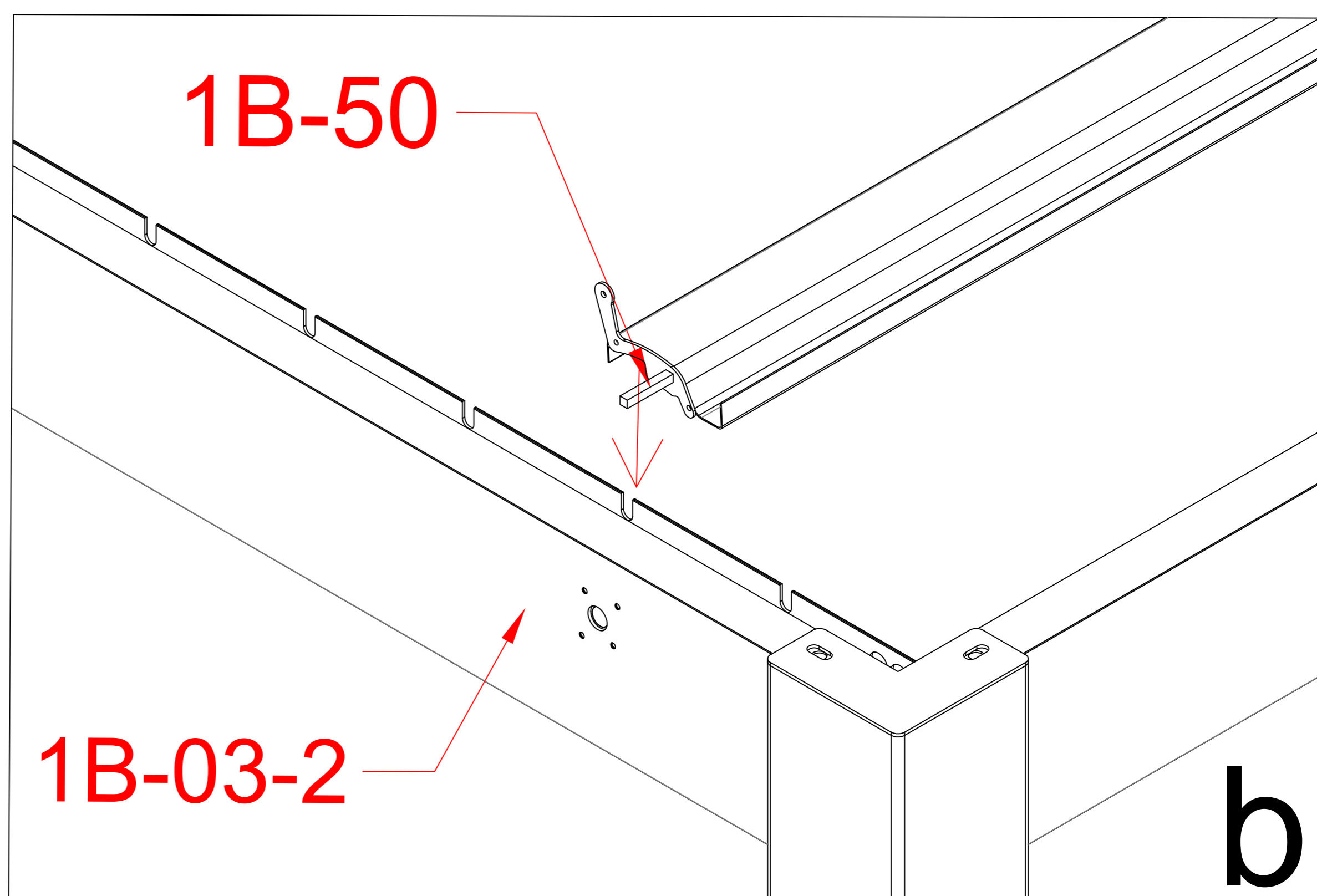
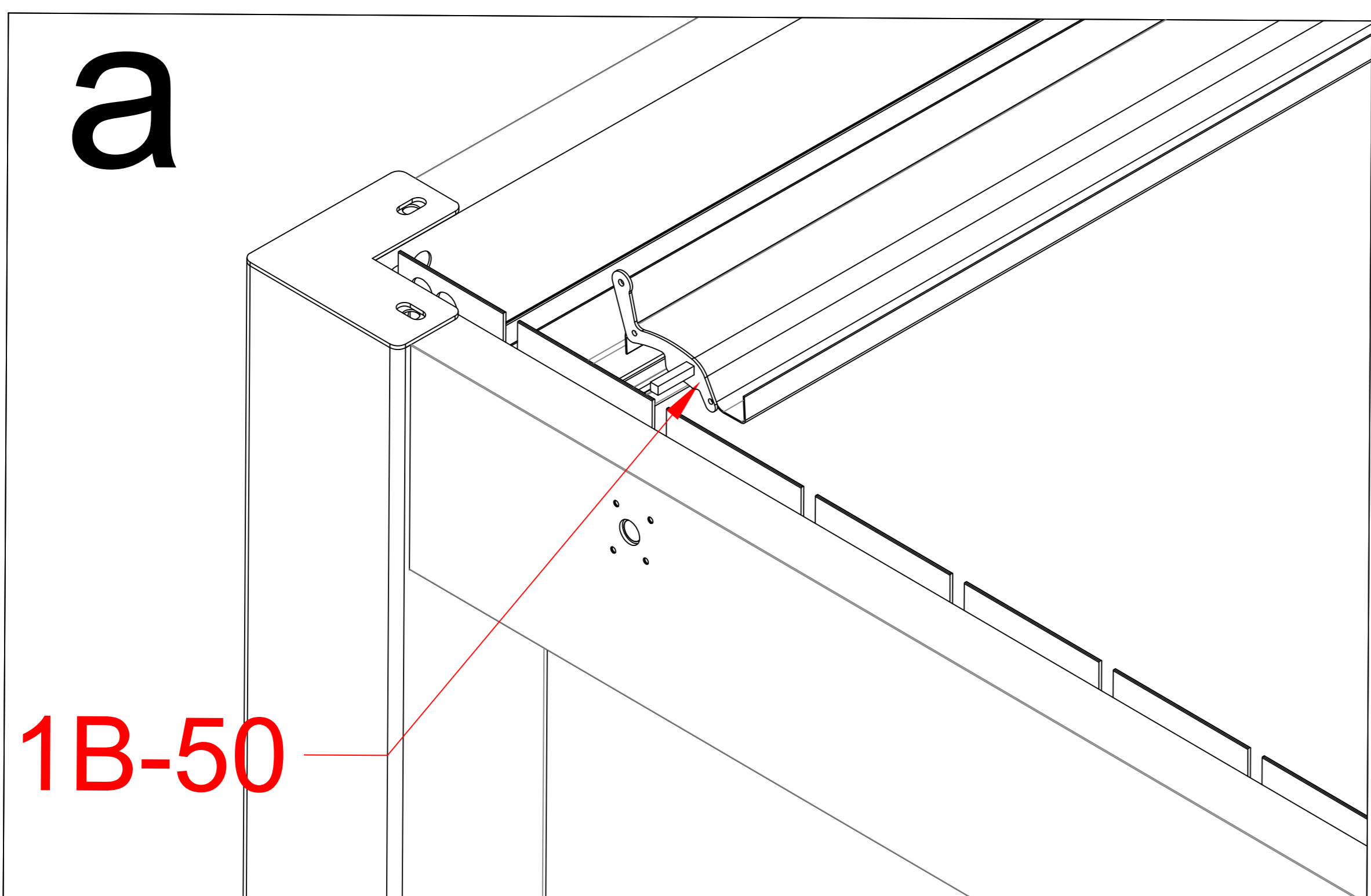
1B-51	 M3.5*25	136
1B-06		68
1B-48		68



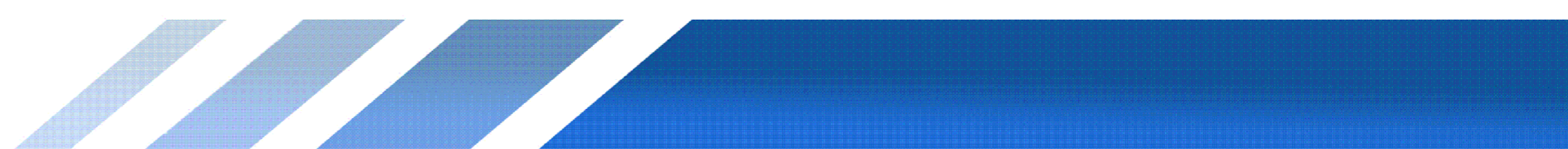


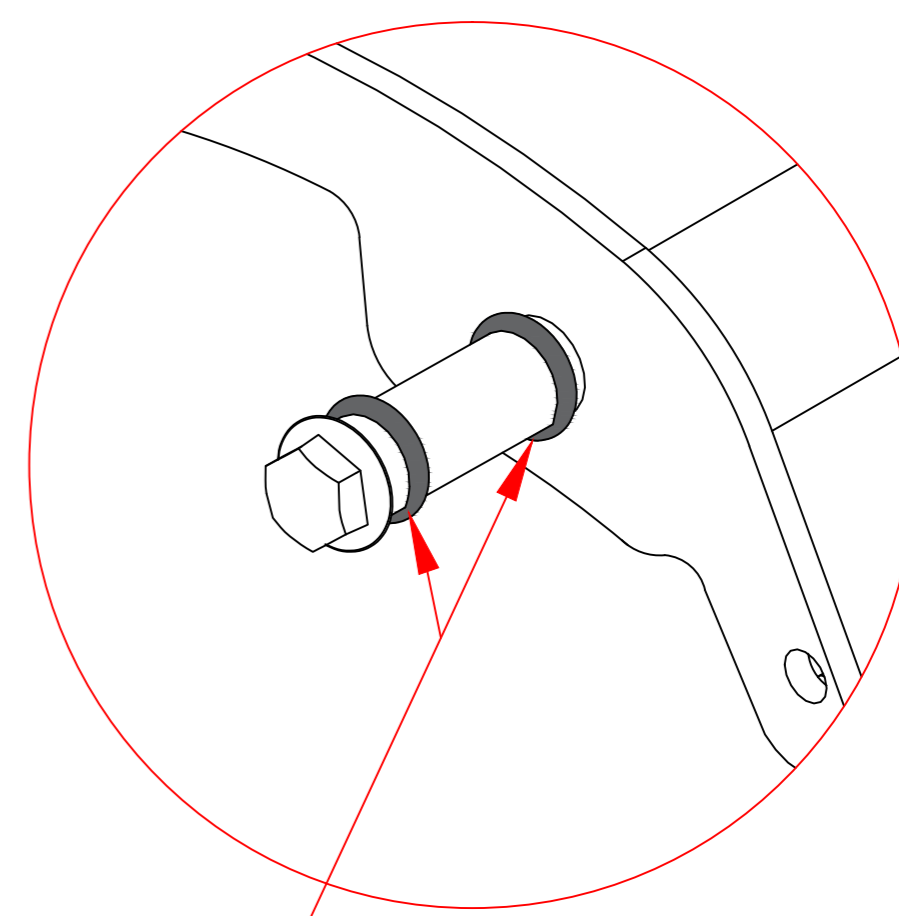
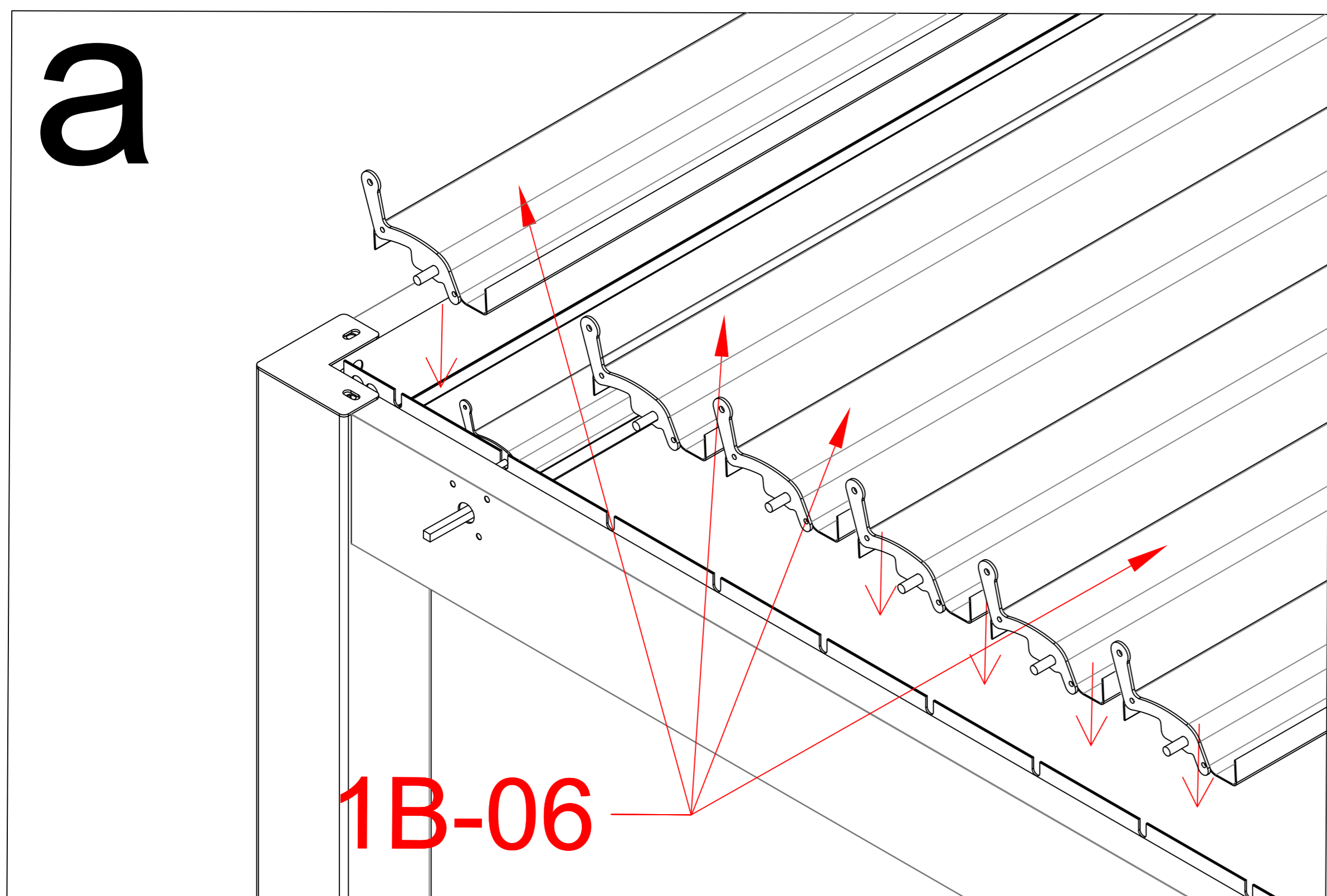
1B-49		66
1B-50		2
1B-51	 M3.5*25	136



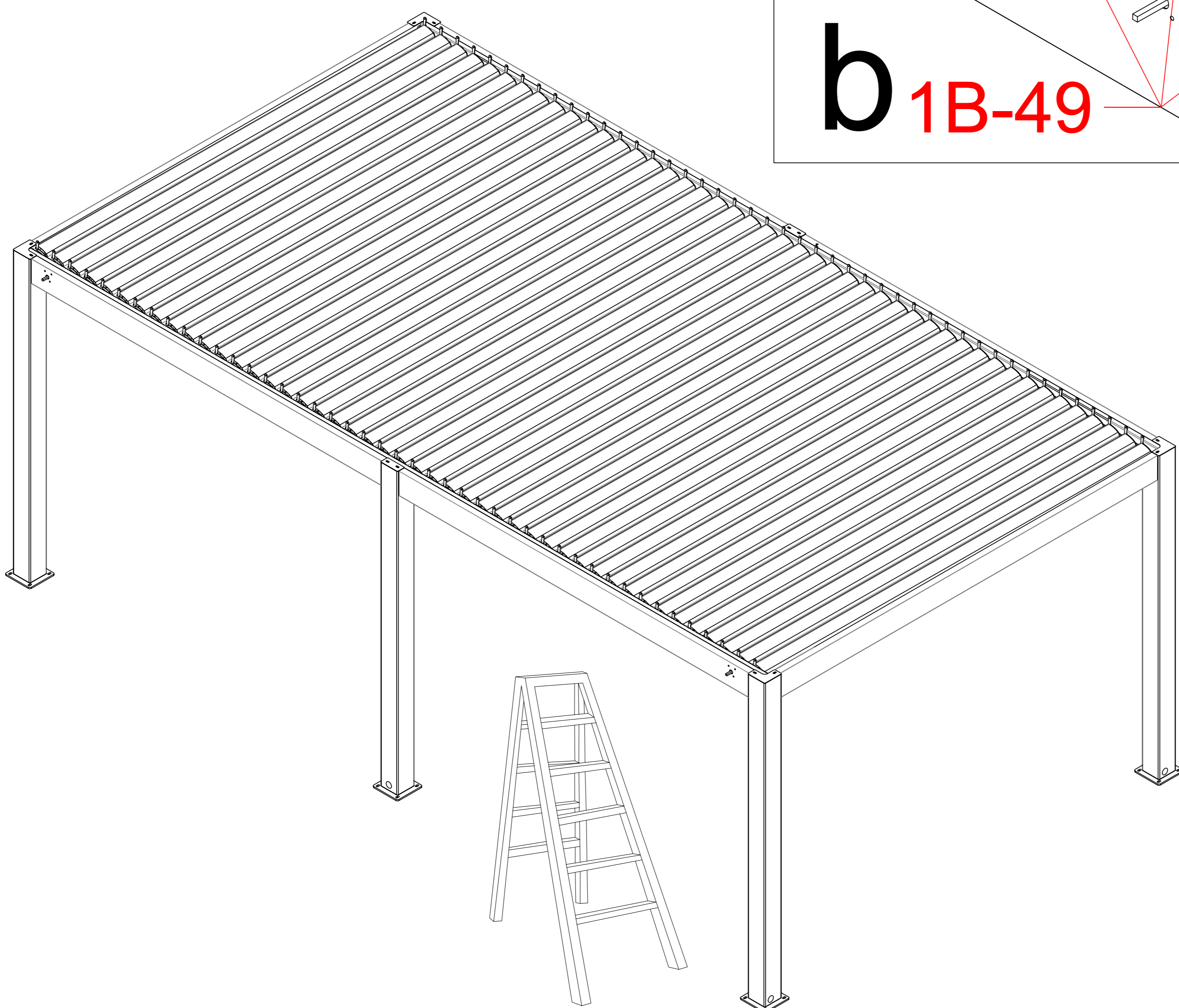
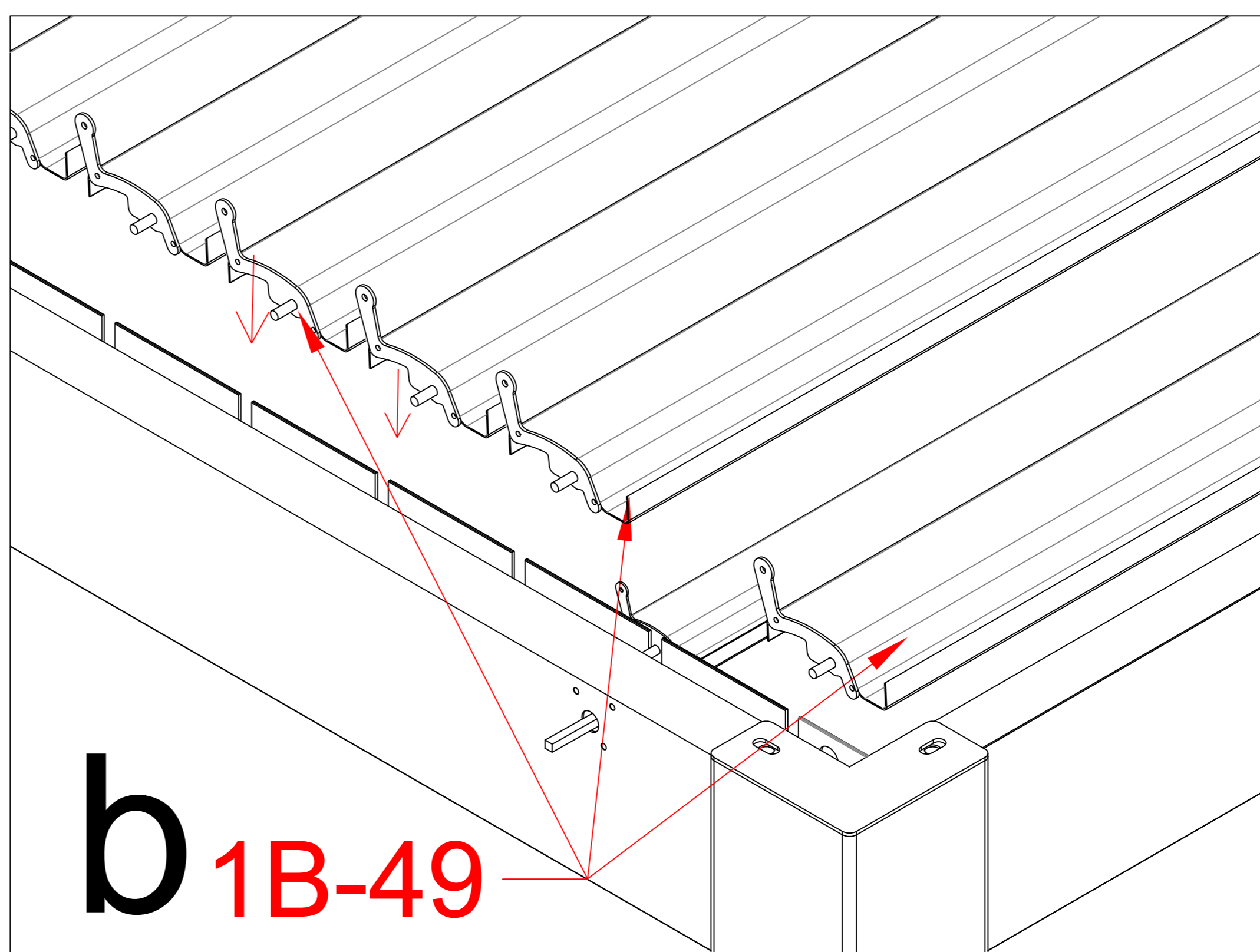


1B-06		2
-------	--	---

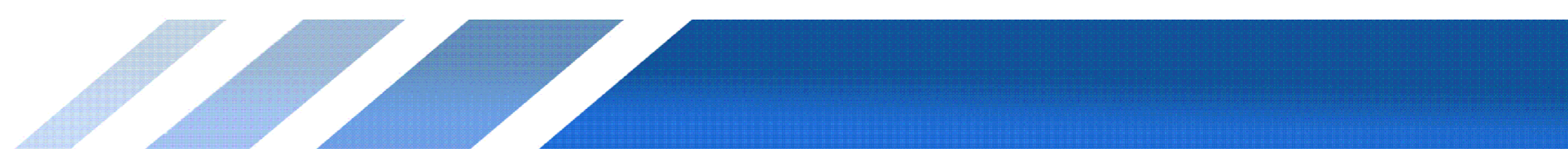


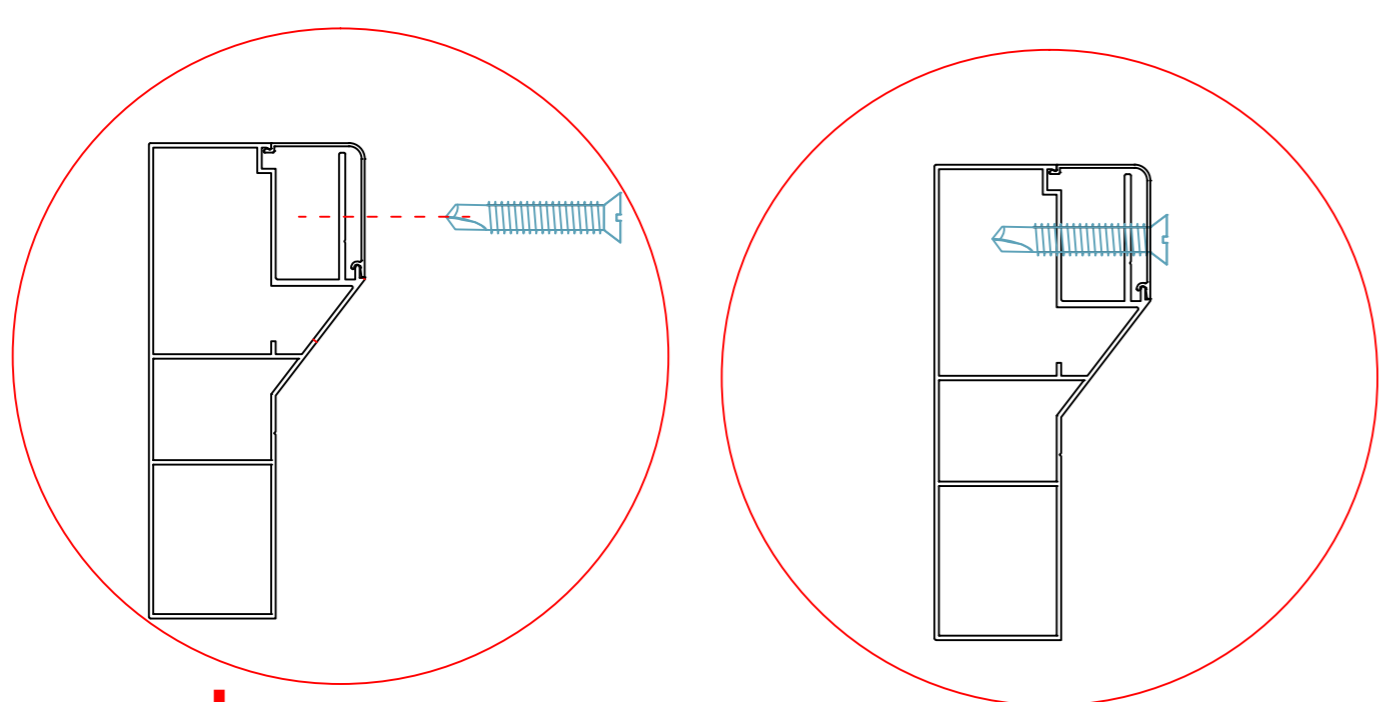


When installing louvers, first separate the two rubber gaskets and slide them to both ends of the circular shaft. Then, please ensure they are closed tightly before proceeding with the next steps of the installation.

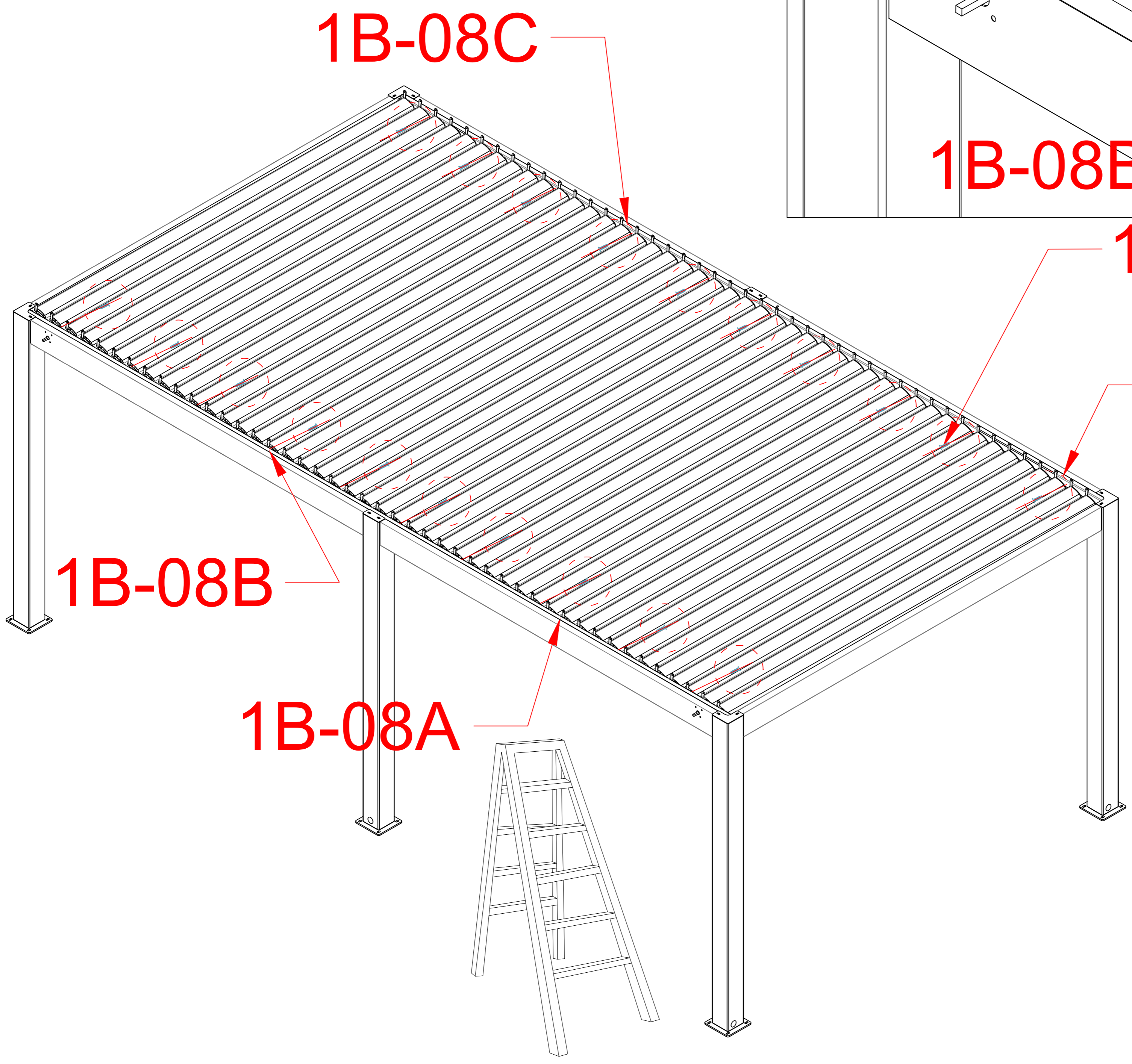
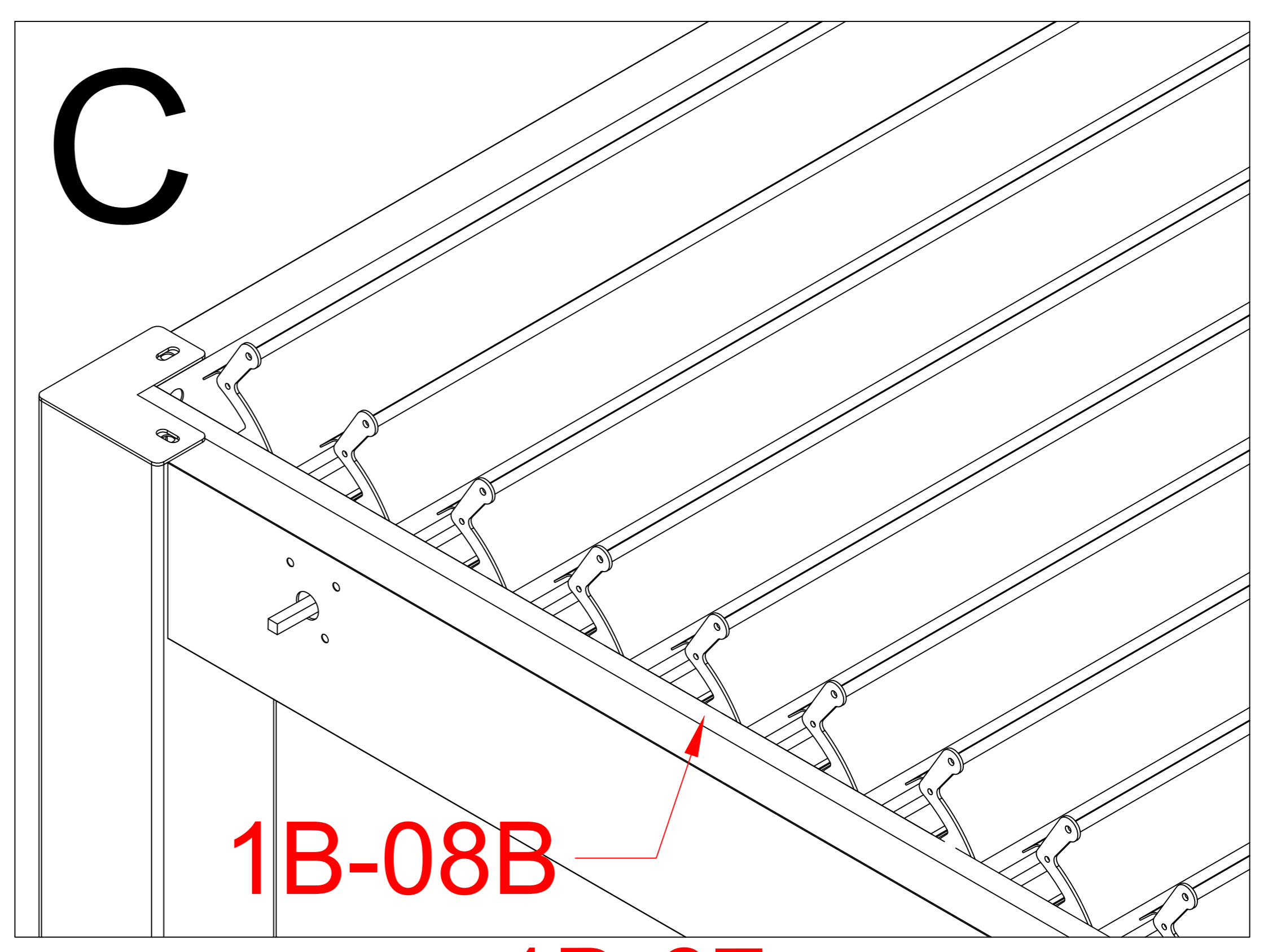
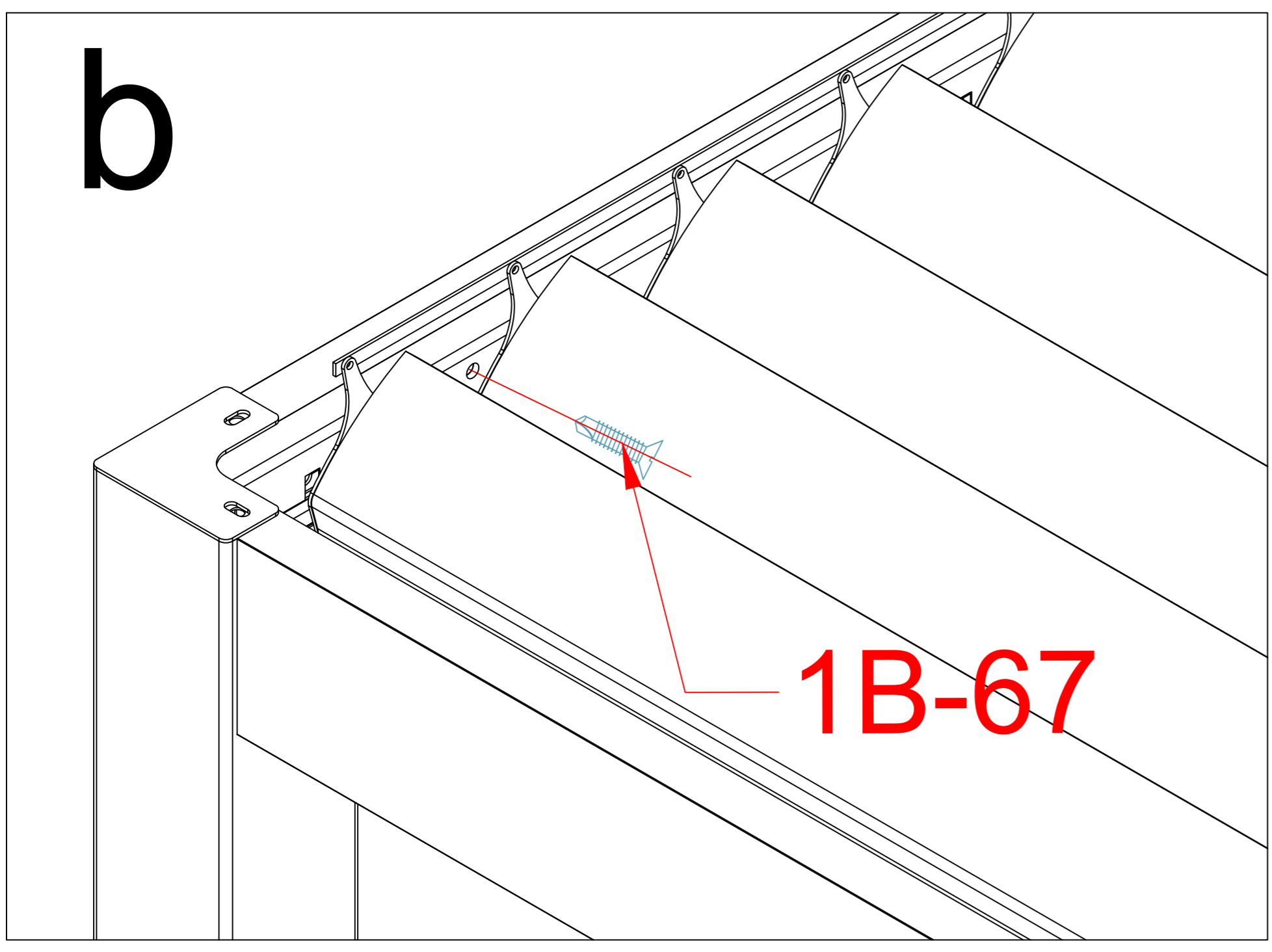
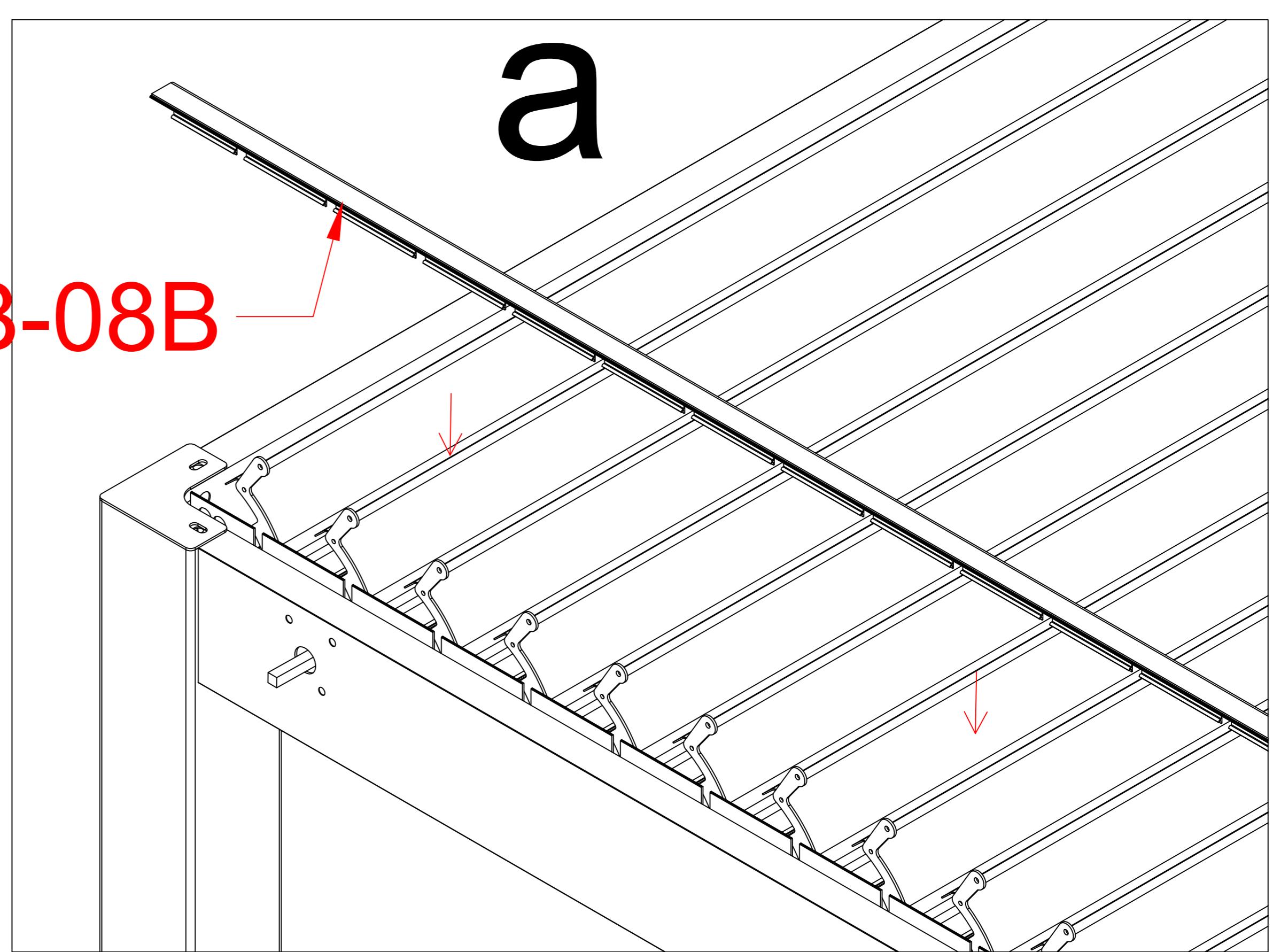


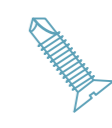
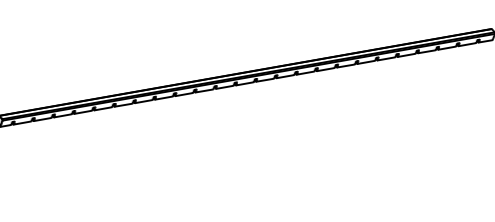
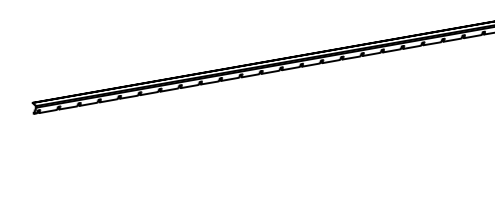
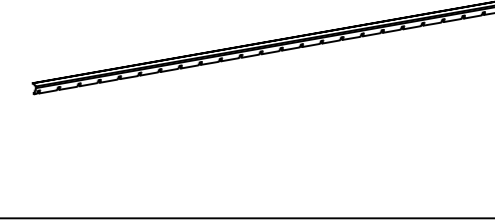
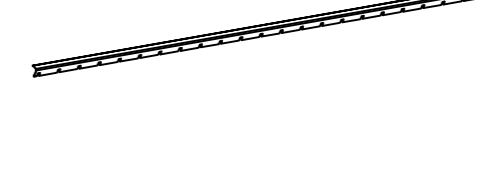
1B-06		66
-------	--	----

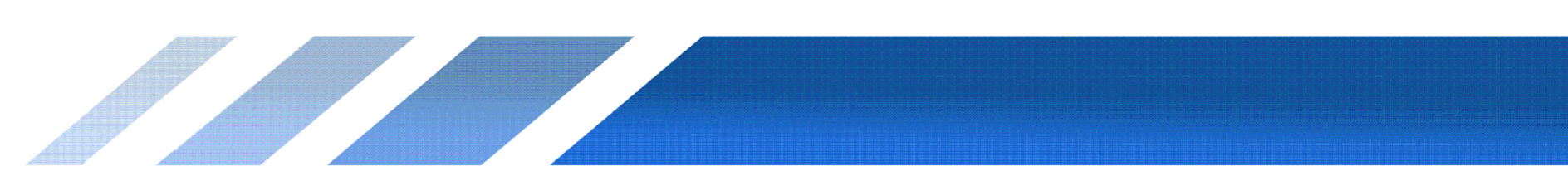


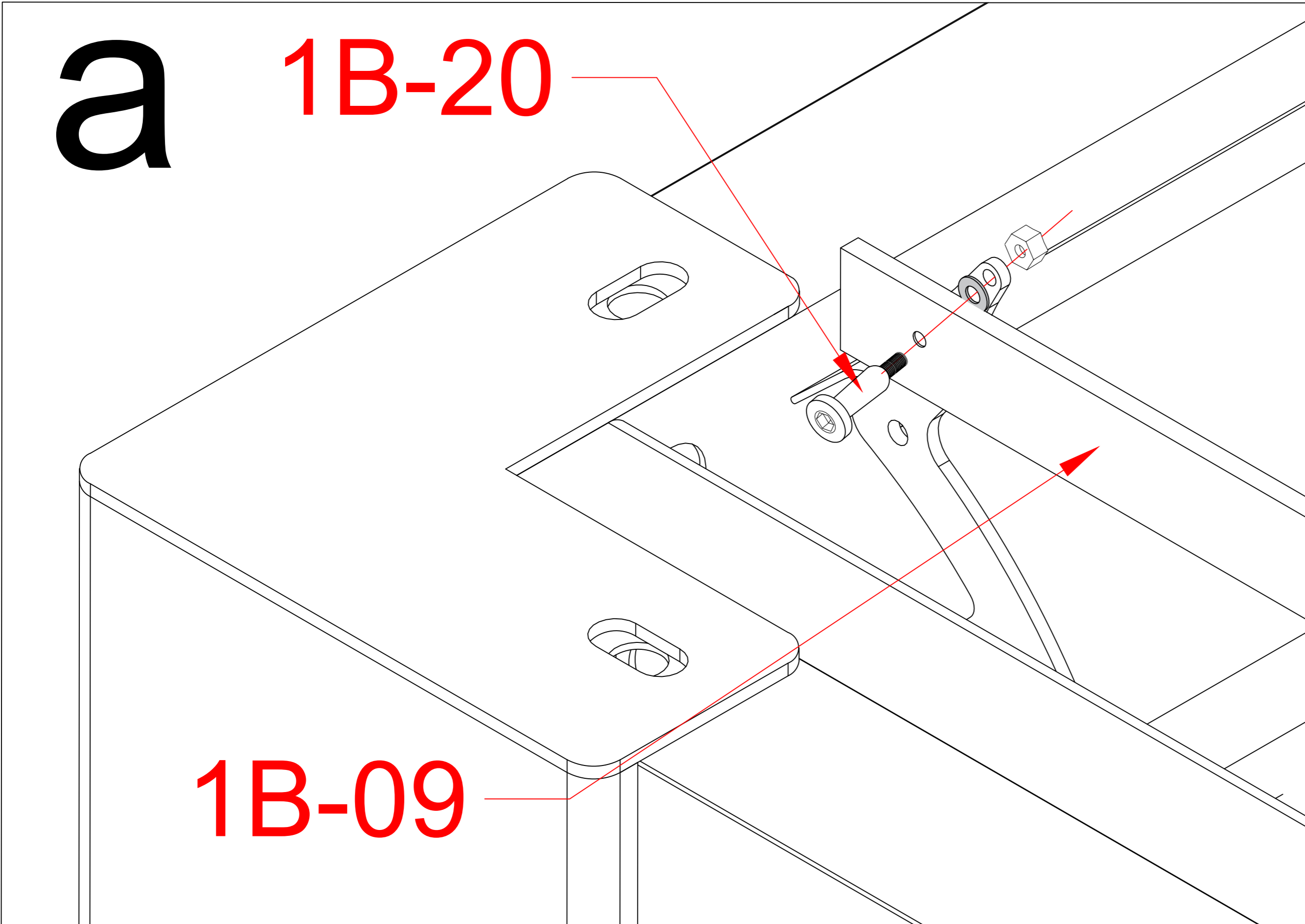


warning:  
Here the screw must be  
hit, do not miss



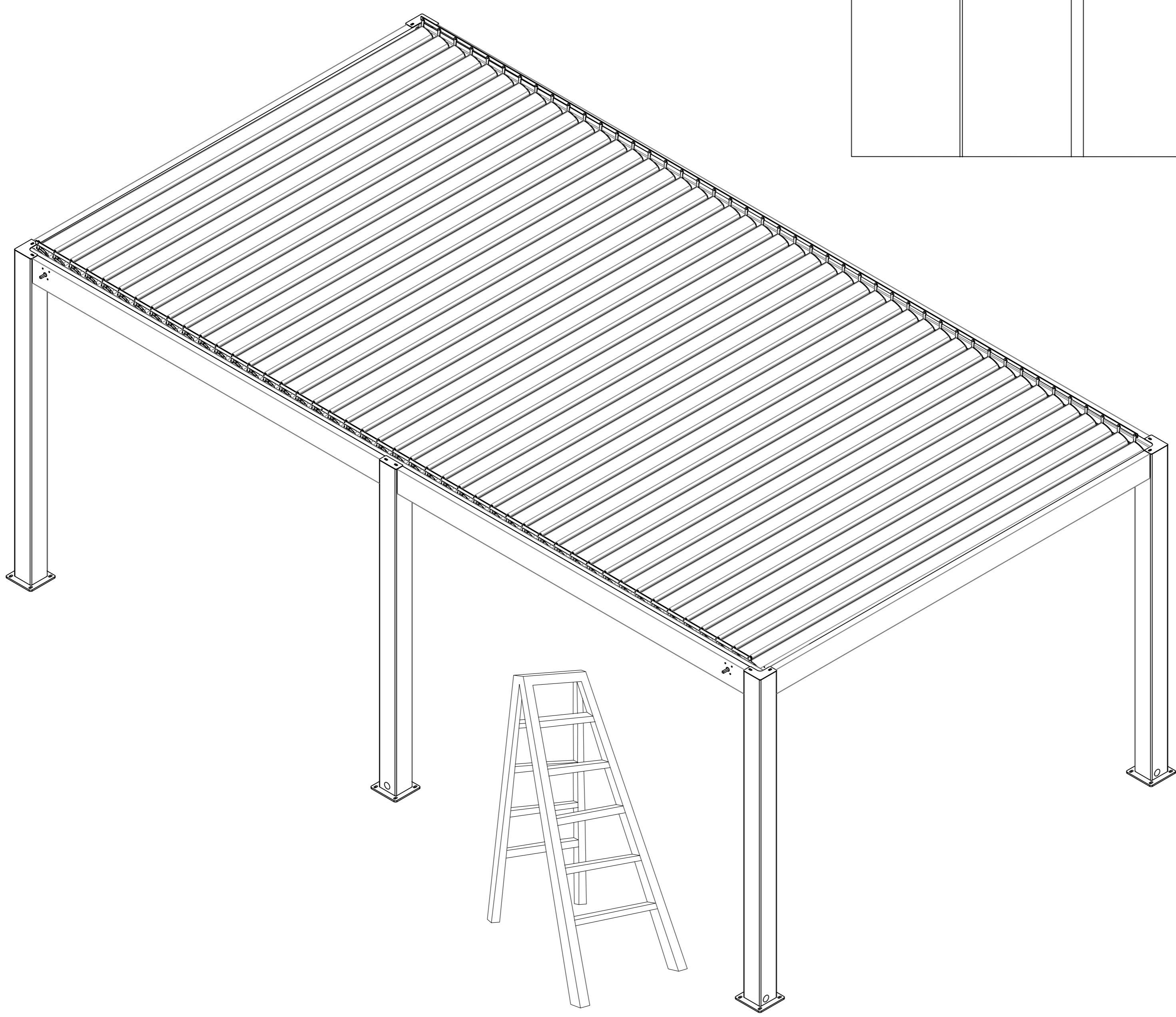
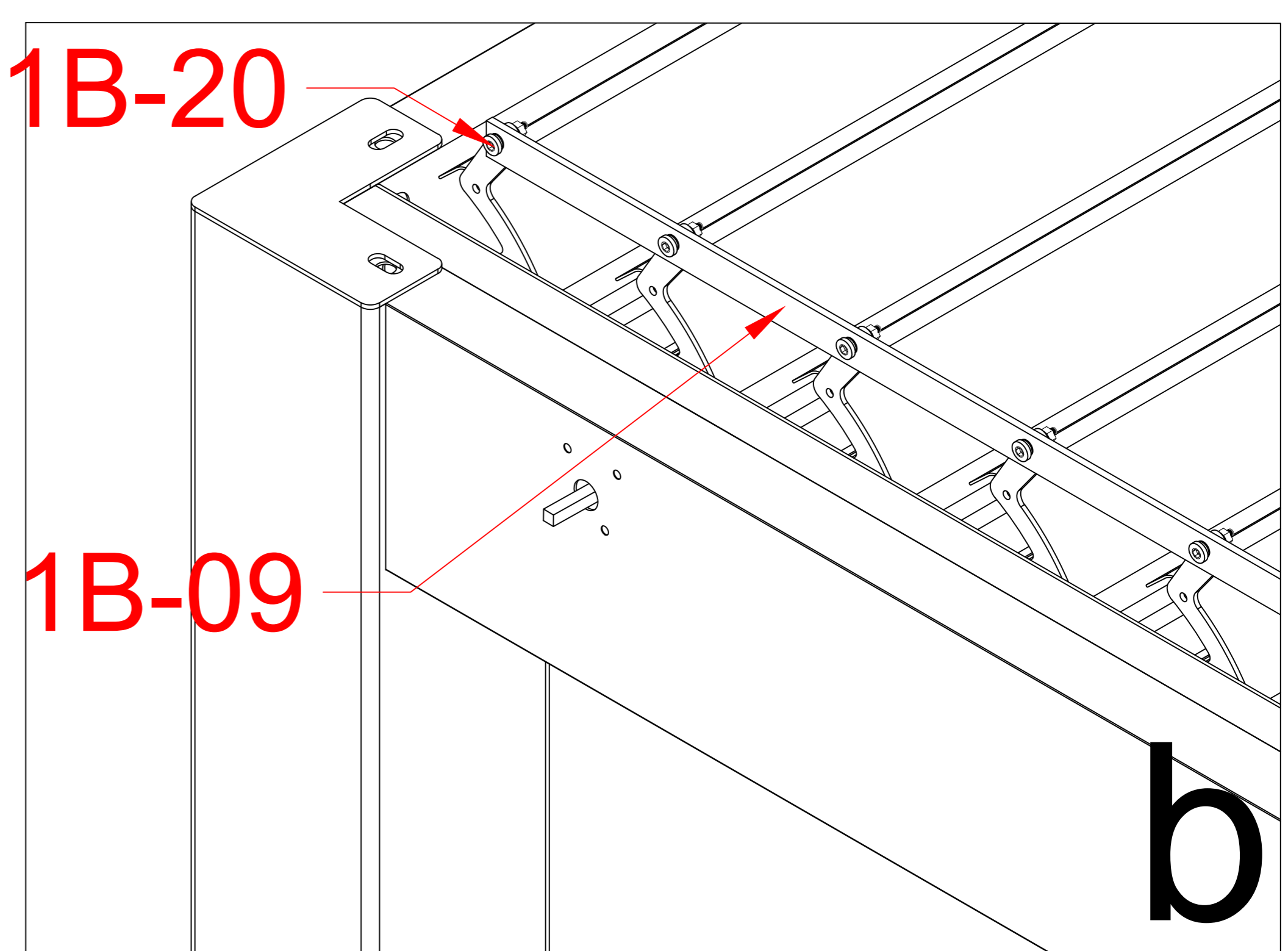
1B-67		28
1B-08A		1
1B-08B		1
1B-08C		1
1B-08D		1



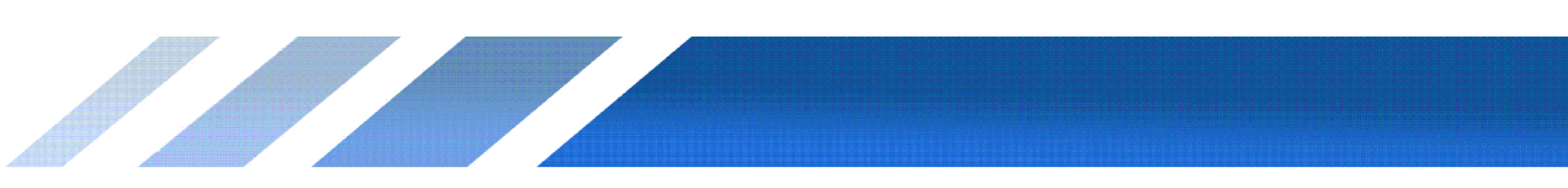


The driving bar shall be always outside of louver end caps. If inside, louvers could not be opened 100%

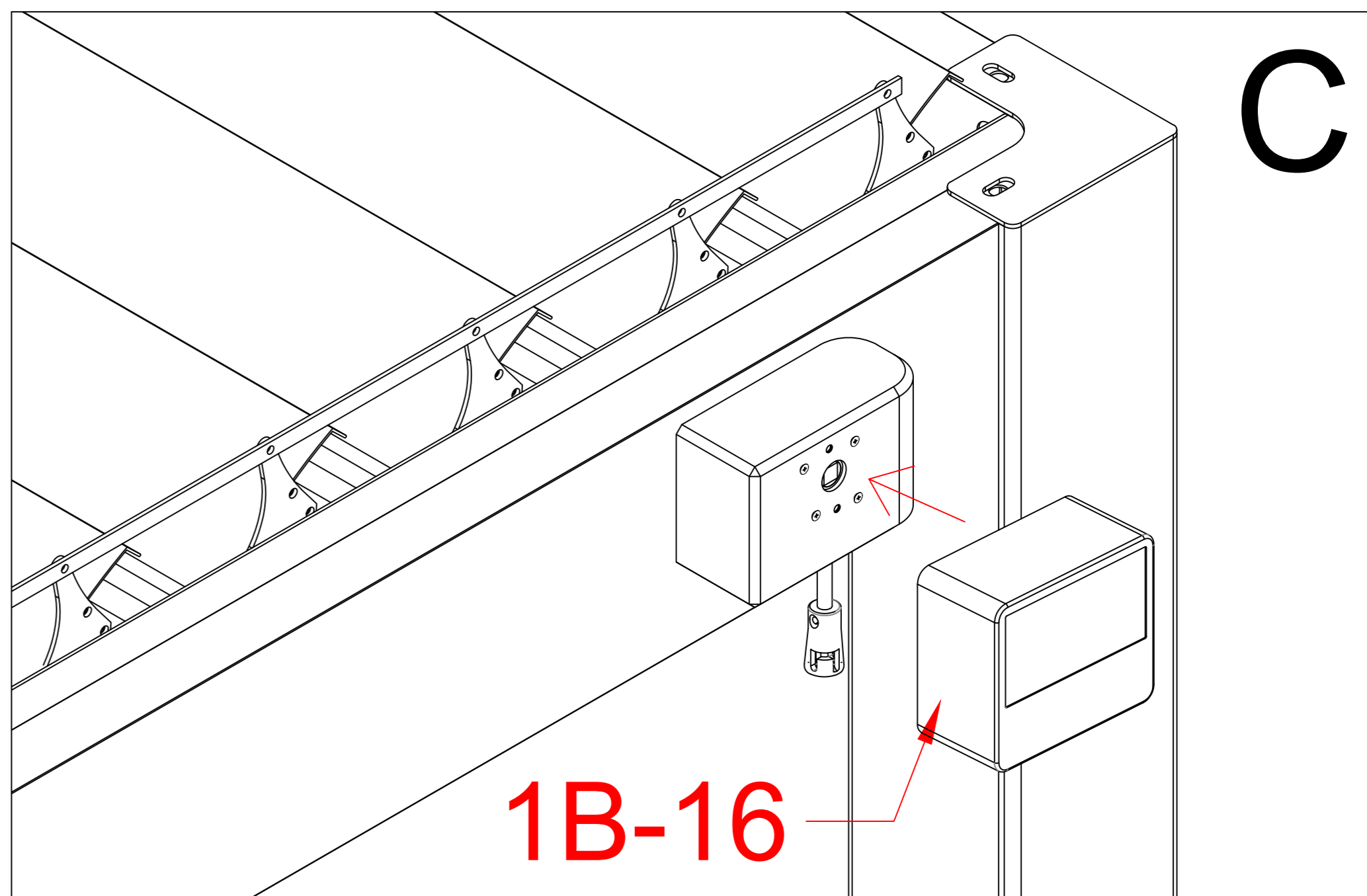
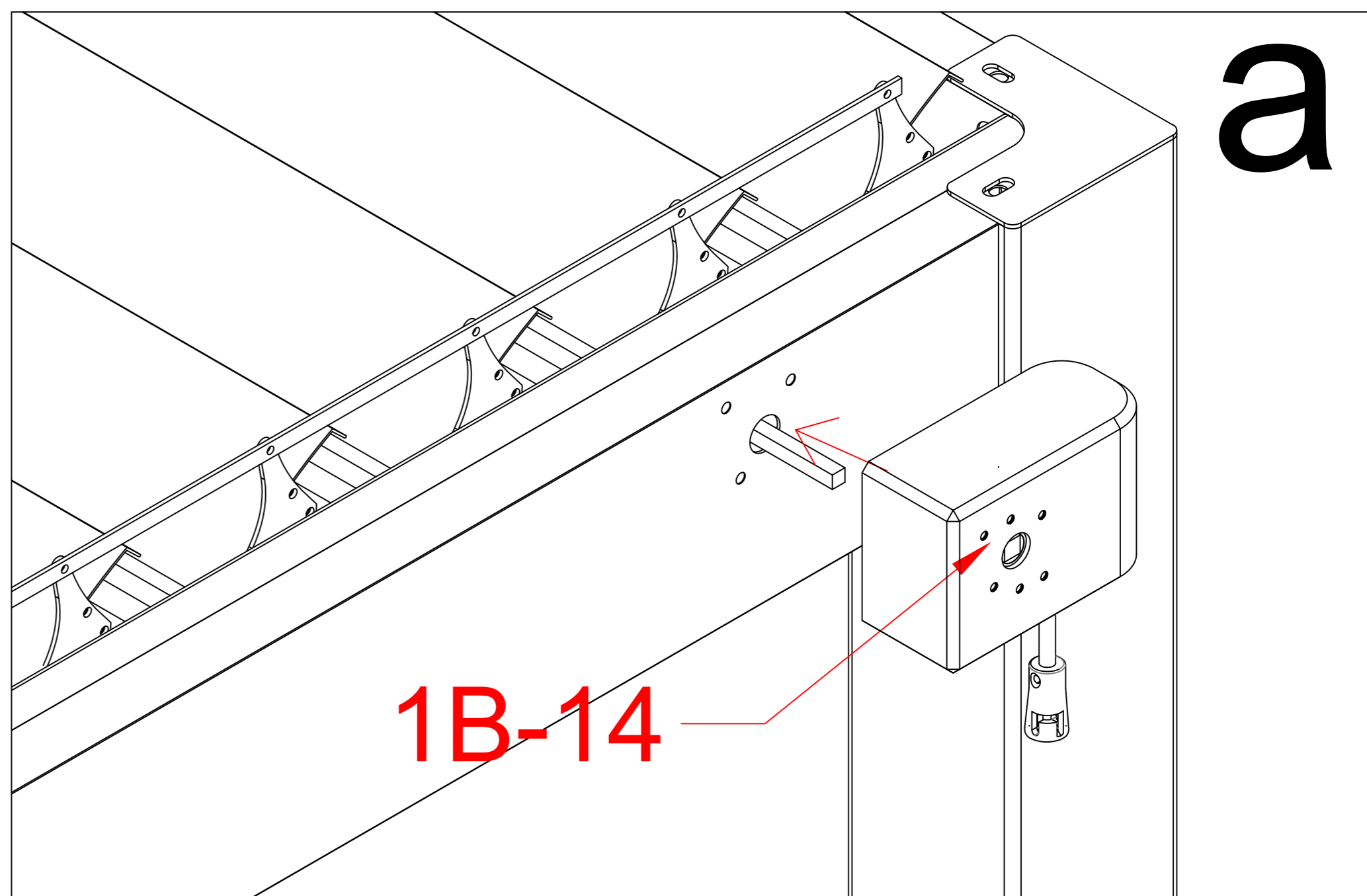
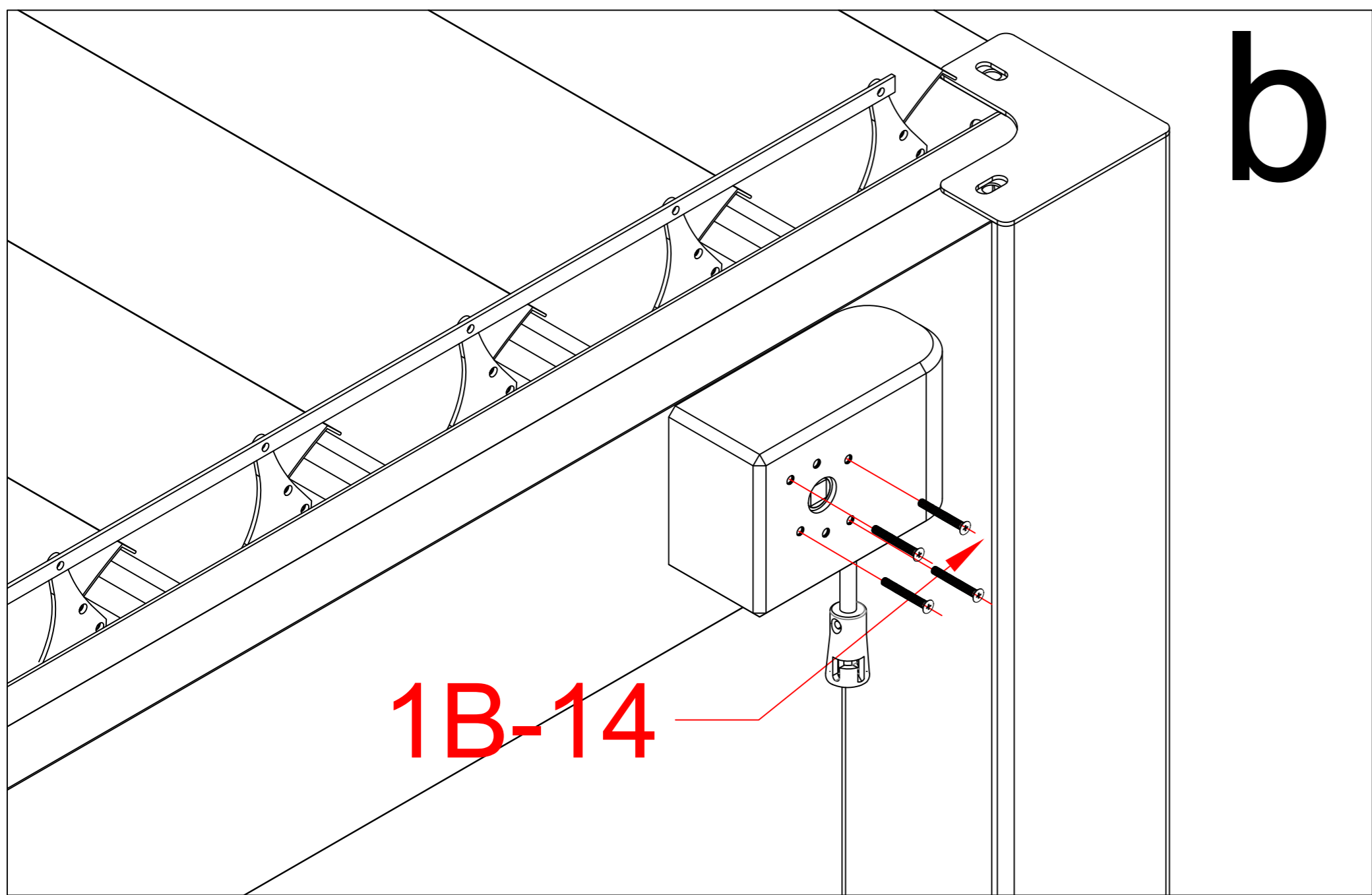
warning:  
Bolts must be tightened

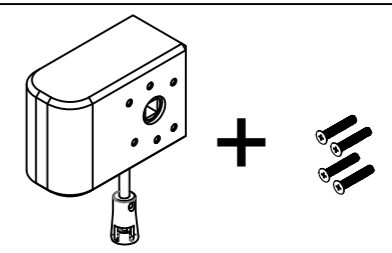
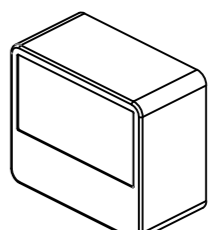


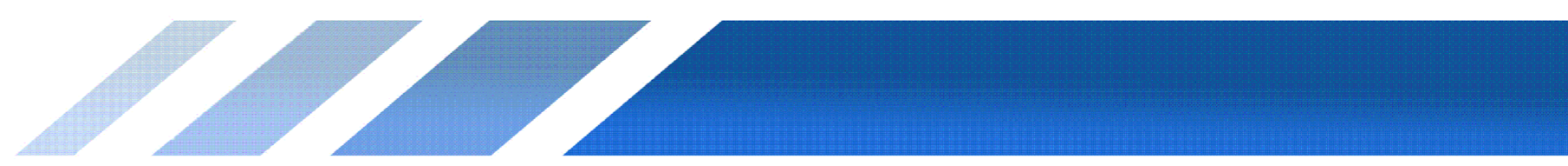
1B-09		4
1B-20		136

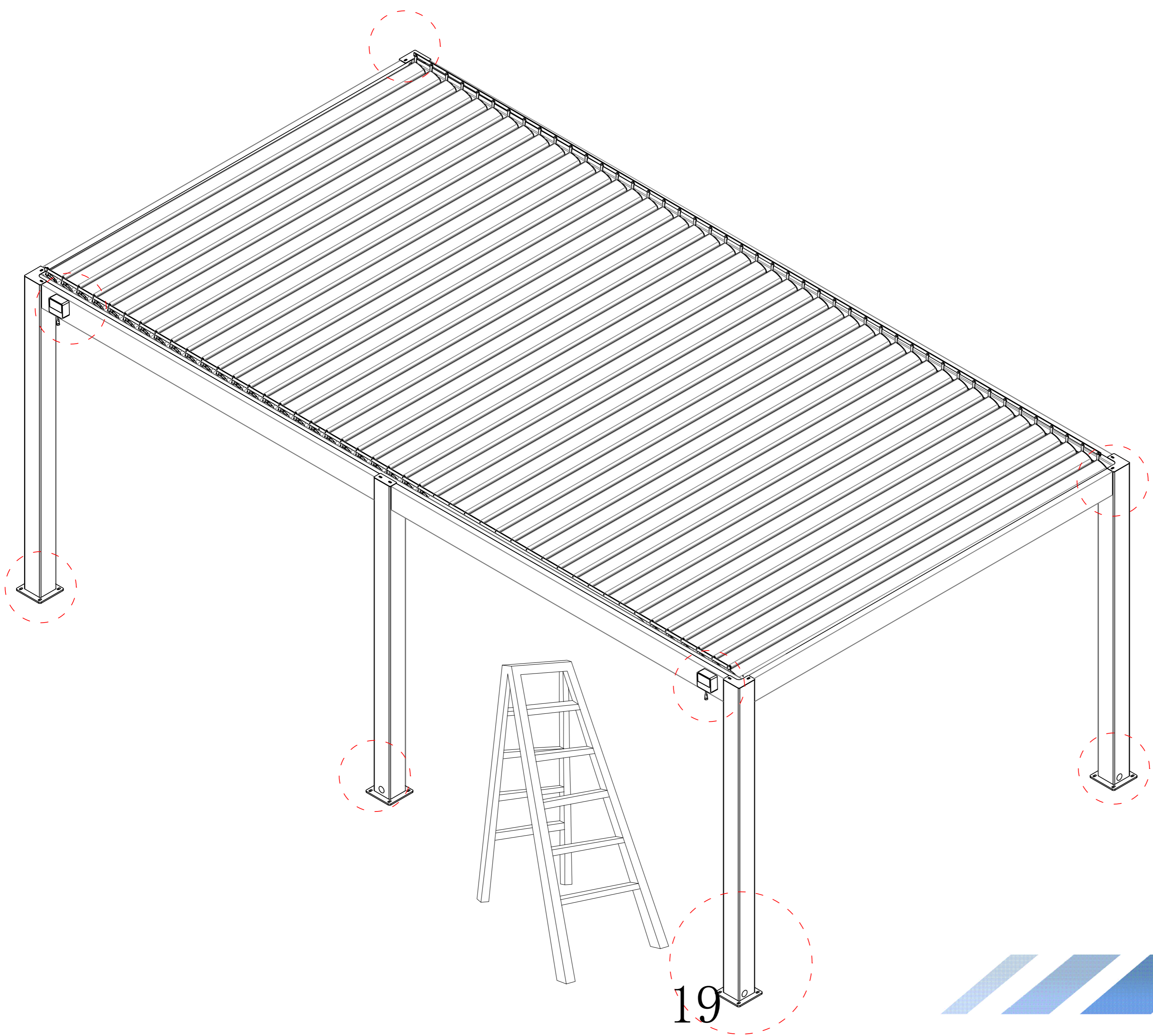
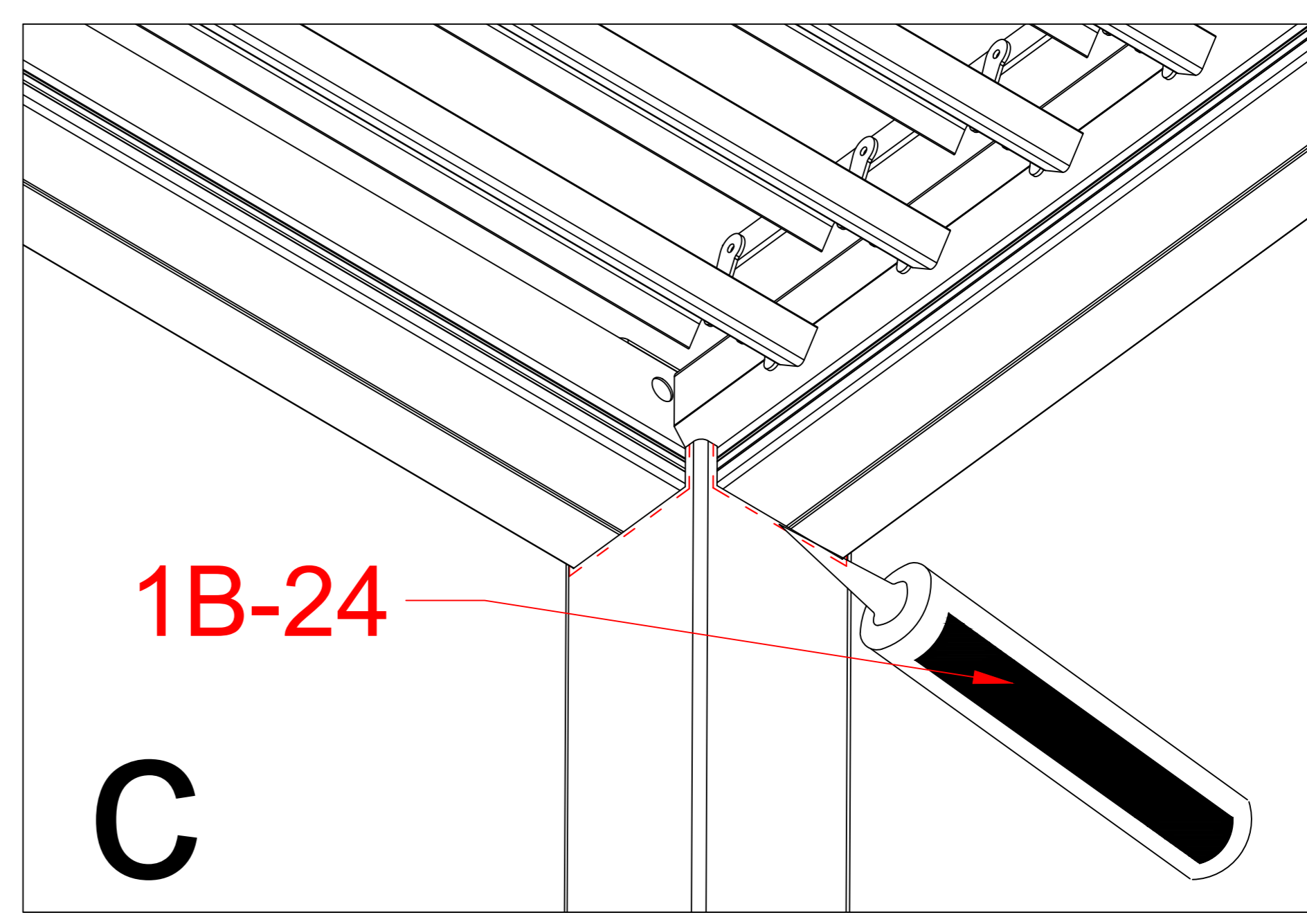
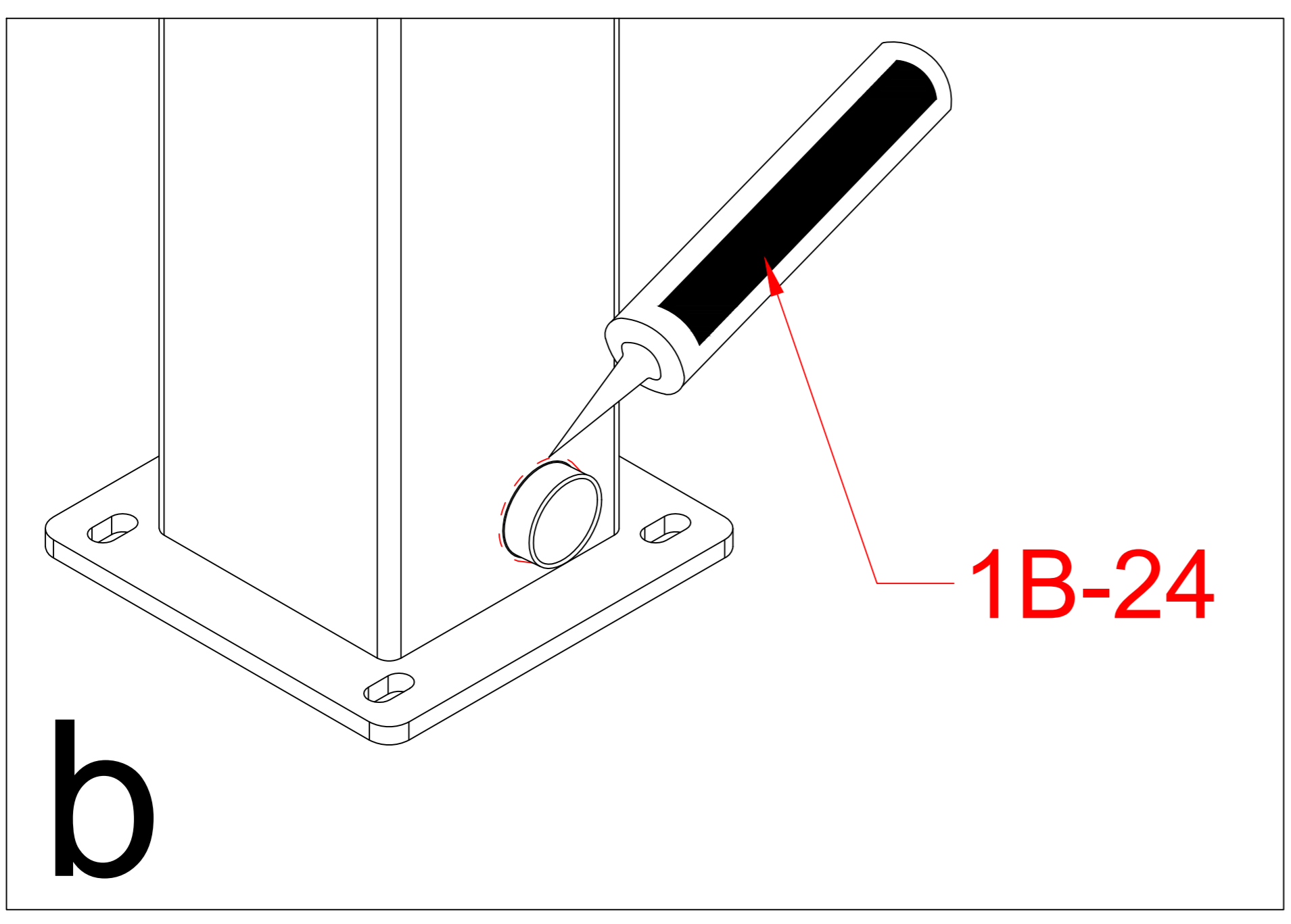
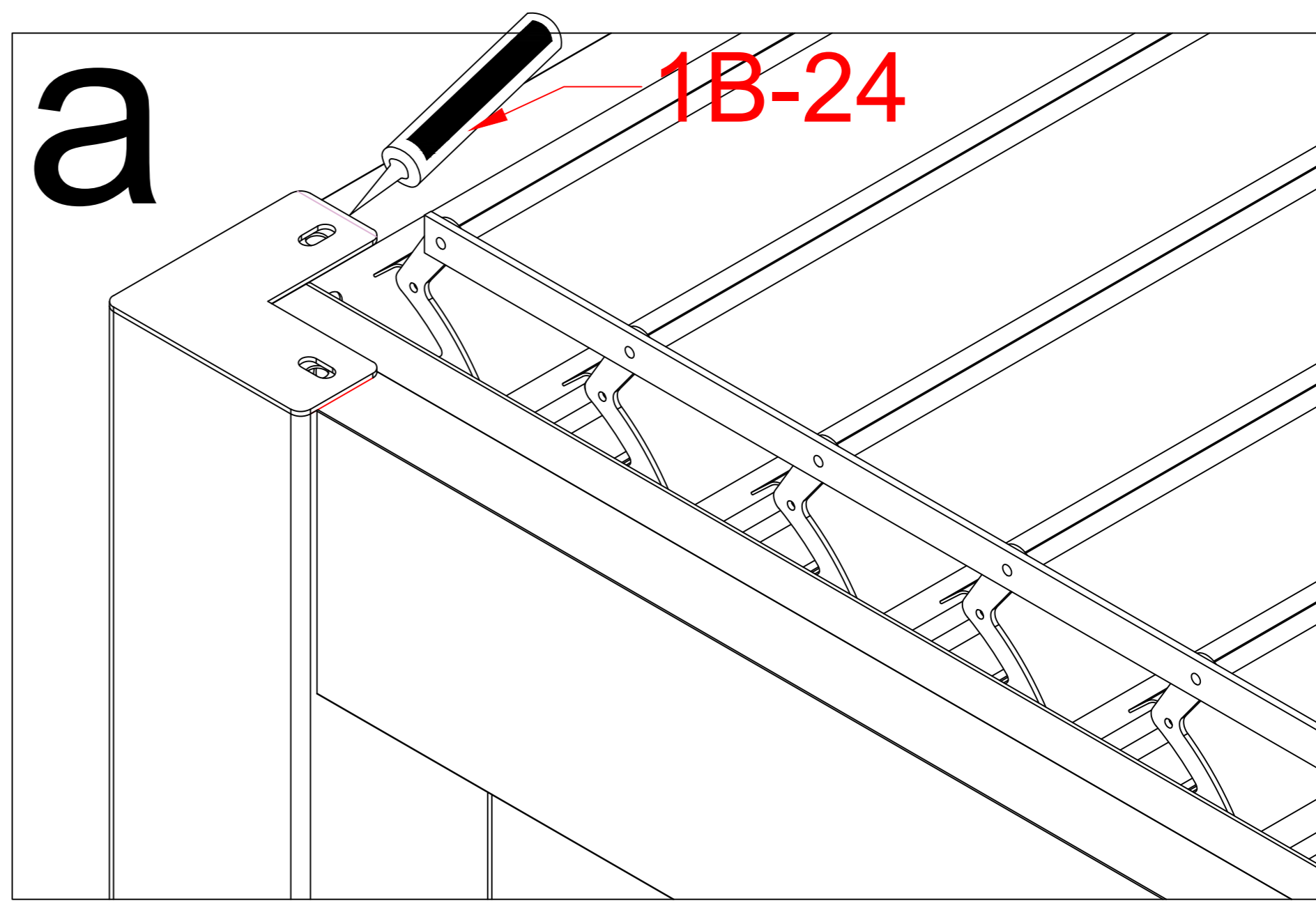


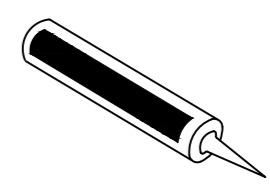


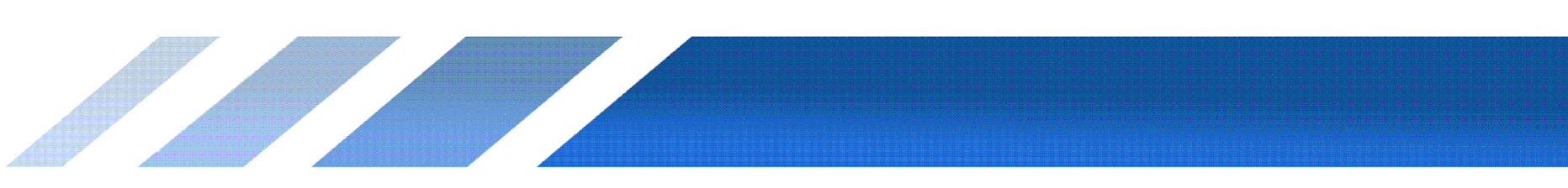


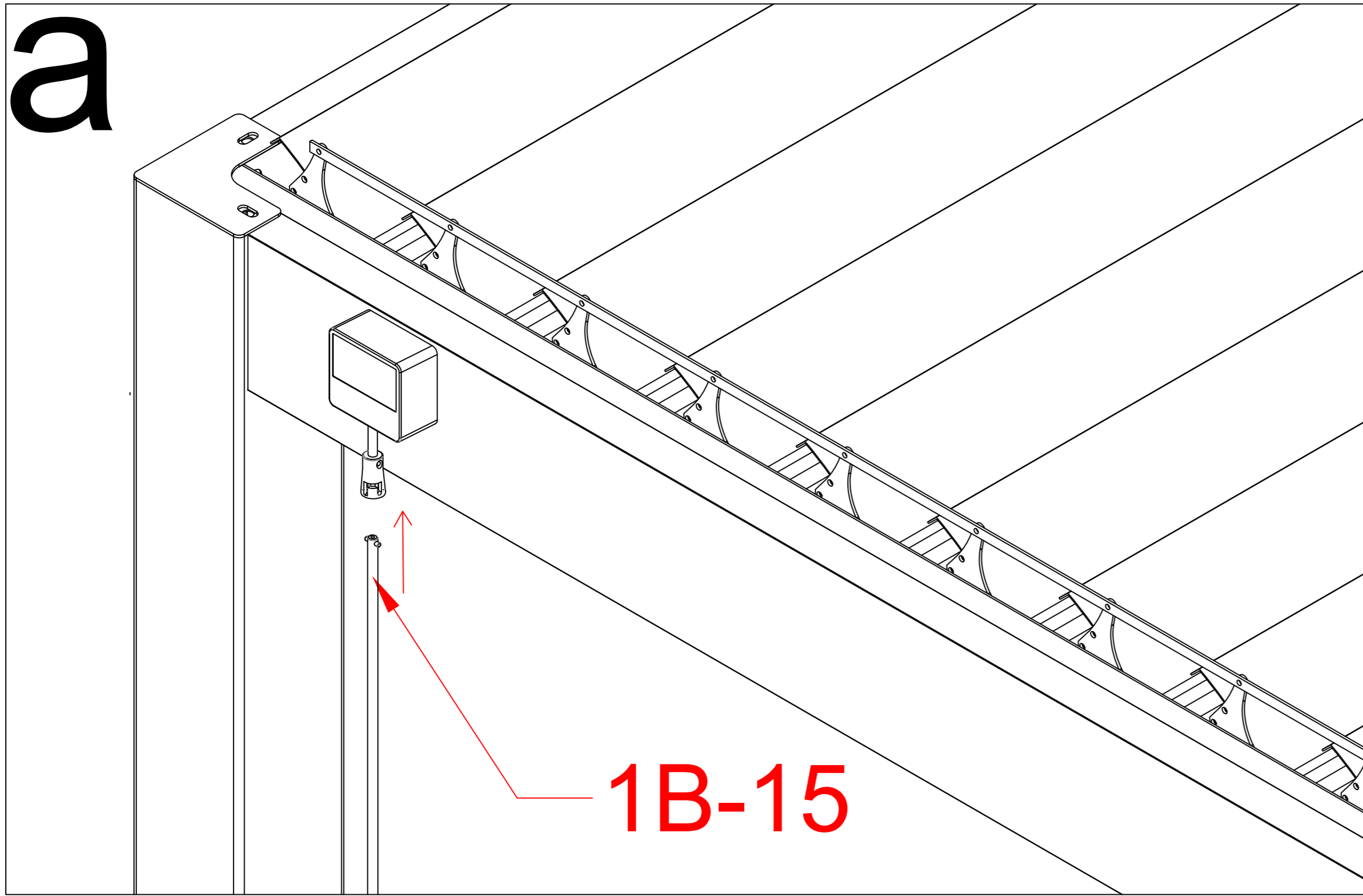
1B-14		2
1B-16		2



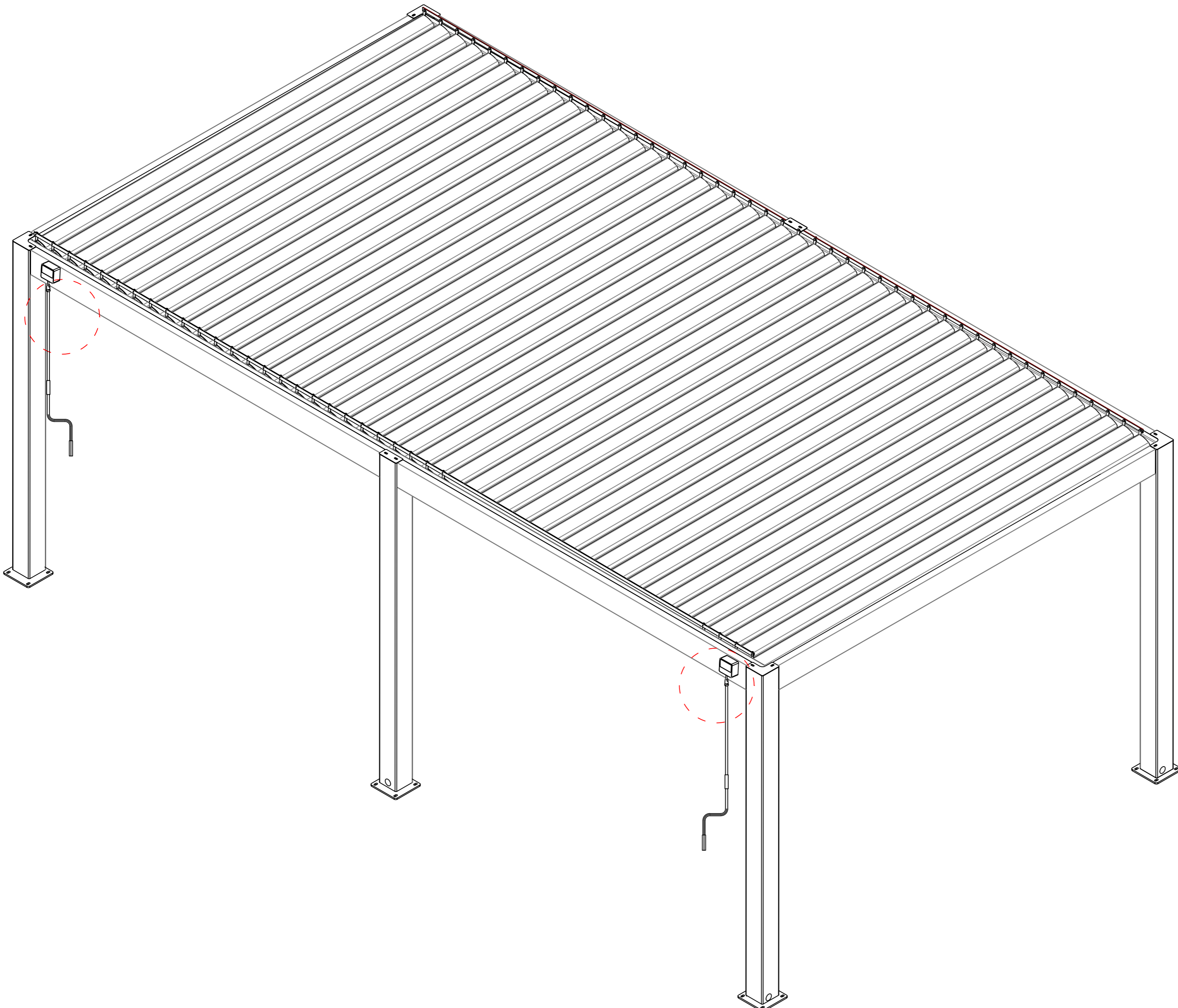
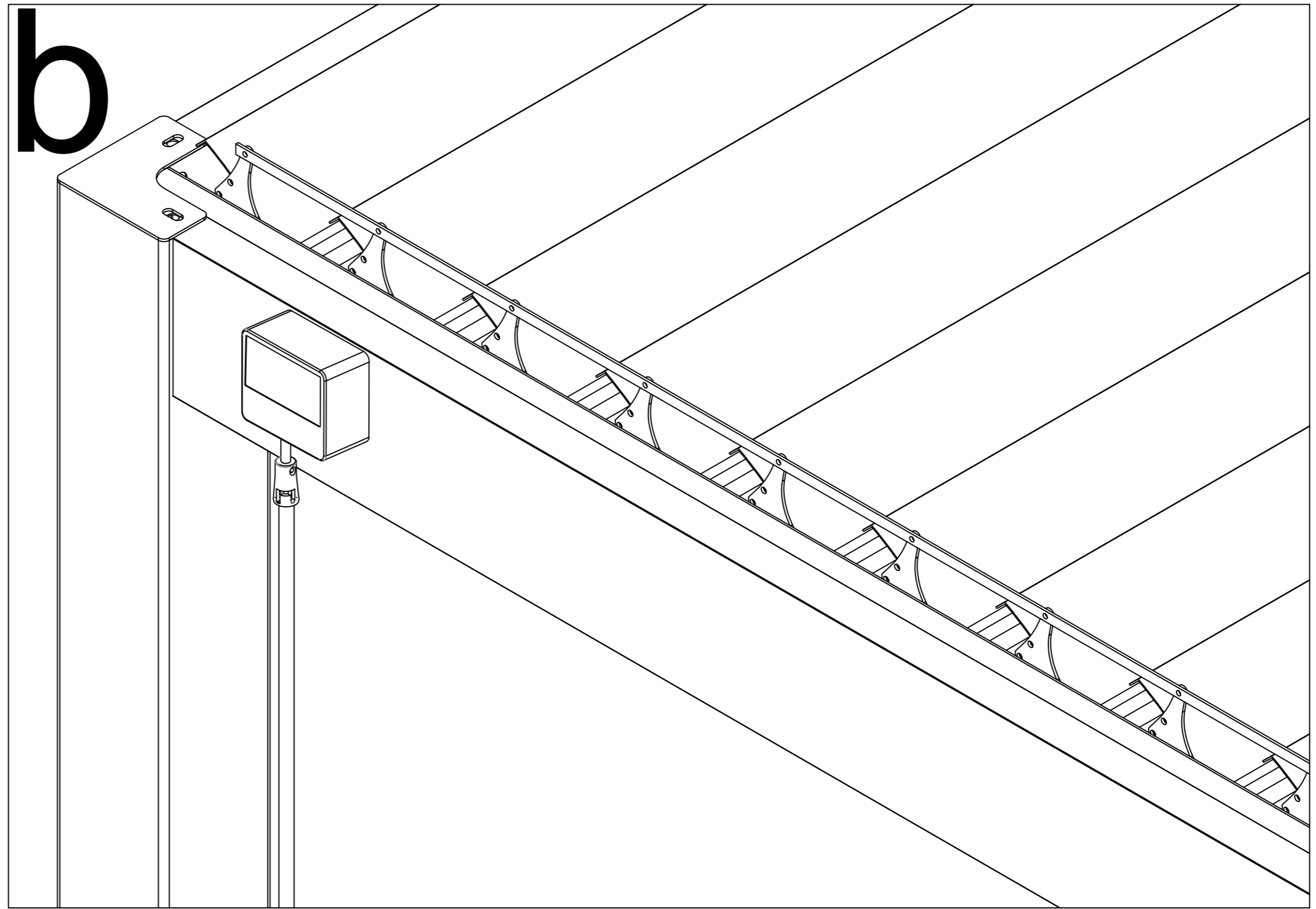


1B-24		1
-------	---	---





**Warning**  
In Snow / Wind season or in case of snow / wind forecast open up your shutters in vertical position to avoid any damaging on your pergola.



1B-15		2
-------	--	---

