



KING PERGOLA FREE STANDING 6 POSTS

3x5m





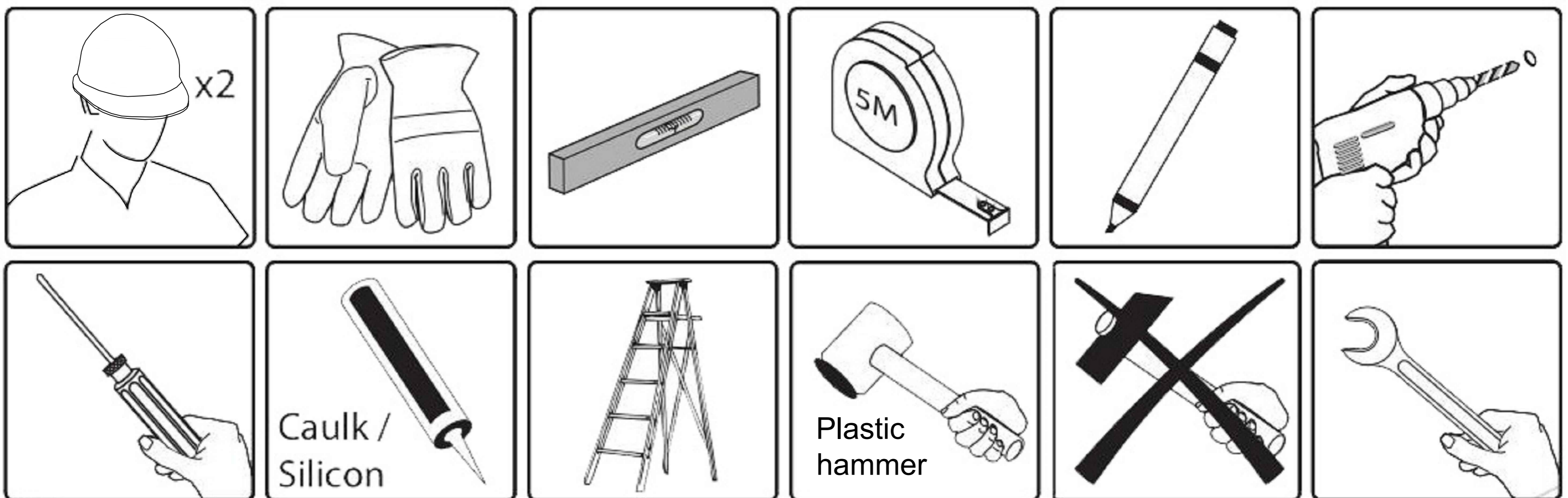
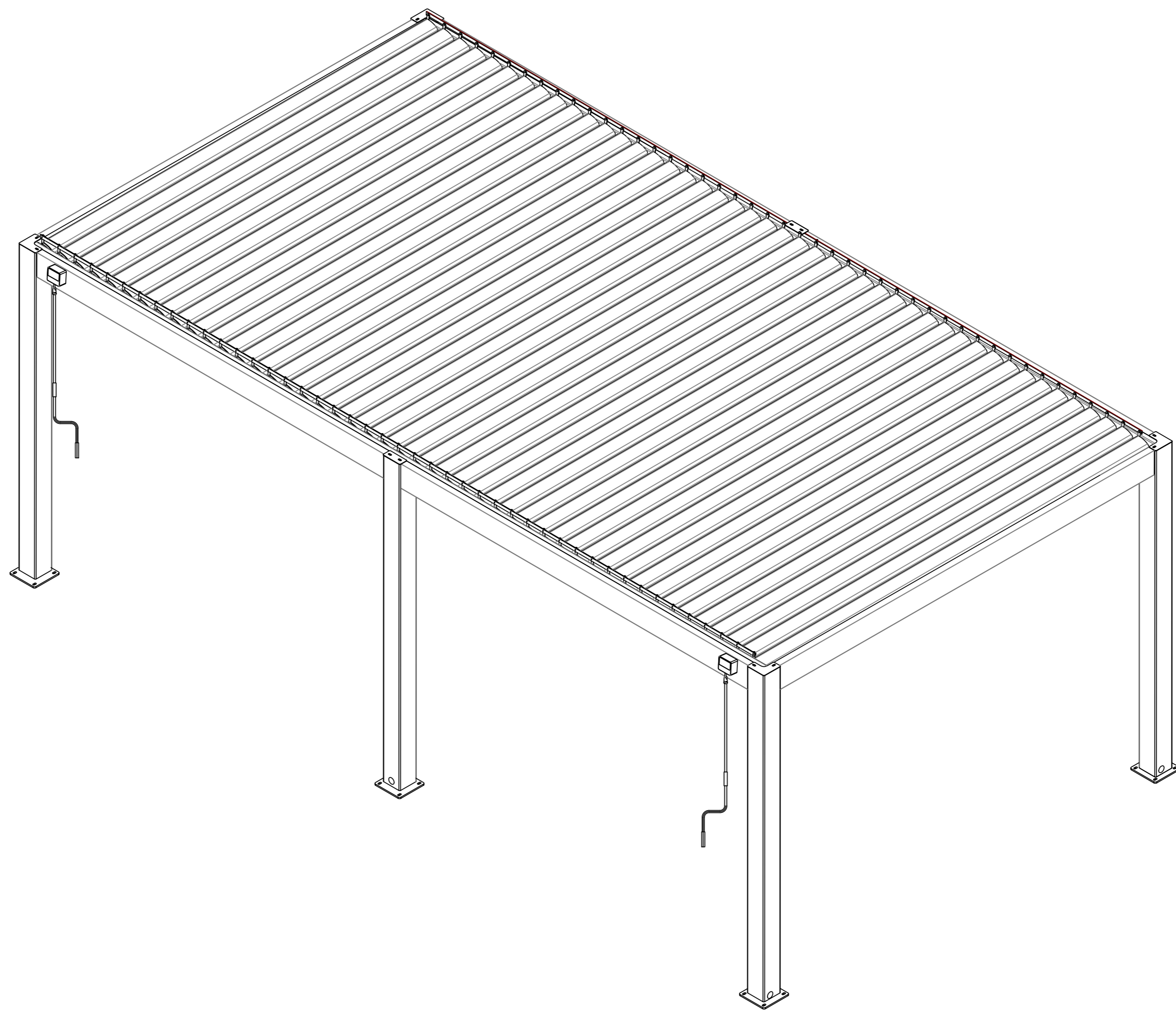
Installation and Wind Management Guidelines

1. Installation on Various Surfaces

For WPC (Wood Plastic Composite), antiseptic wood, ceramic, or stone flooring, it is essential to either concrete the post directly or construct a 50cm concrete foundation beneath the base plate to secure it firmly.

2. Wind Management

In the event of strong winds, the louvers must be opened to maintain proper air circulation and minimise wind resistance.”



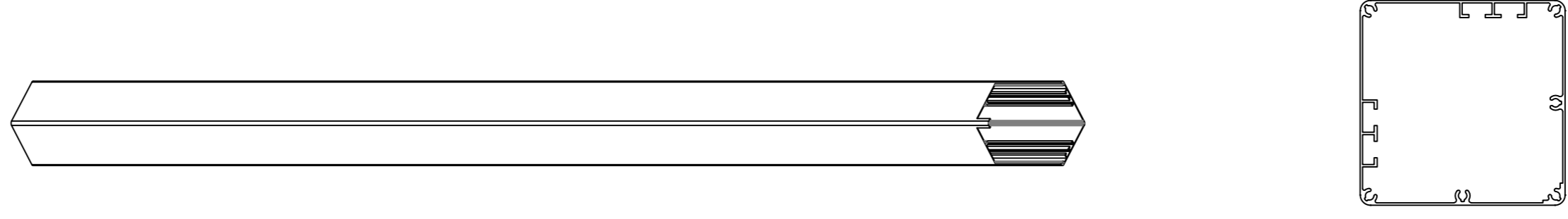
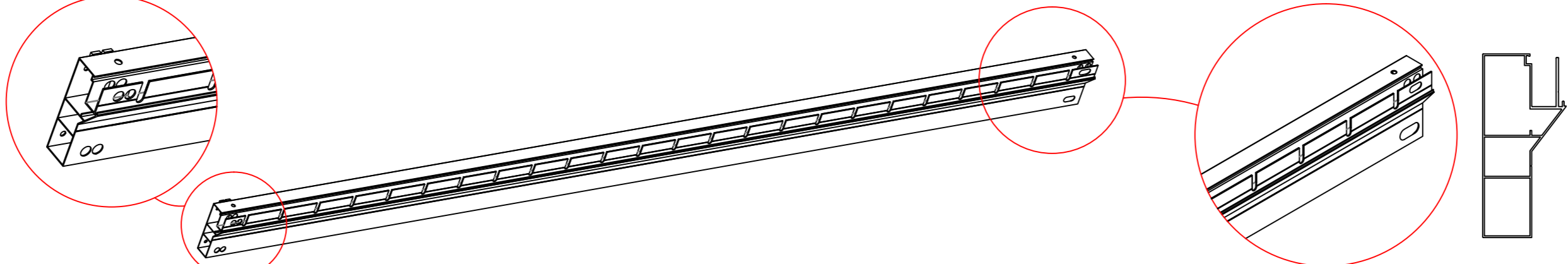
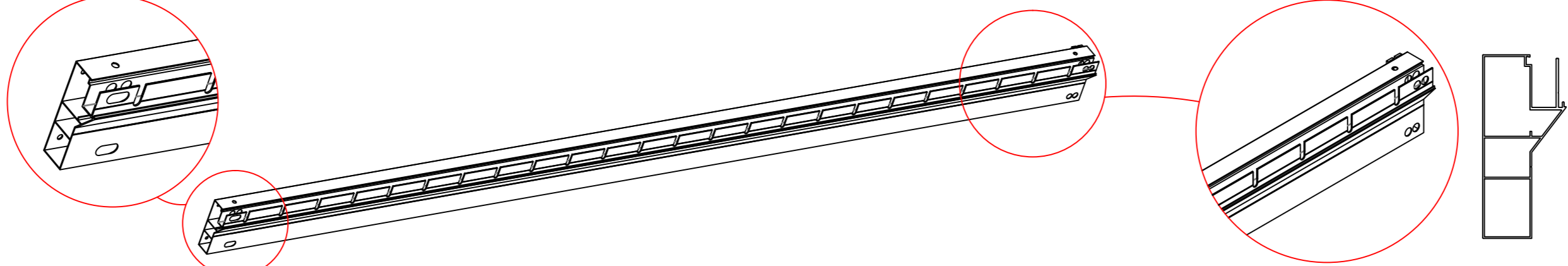
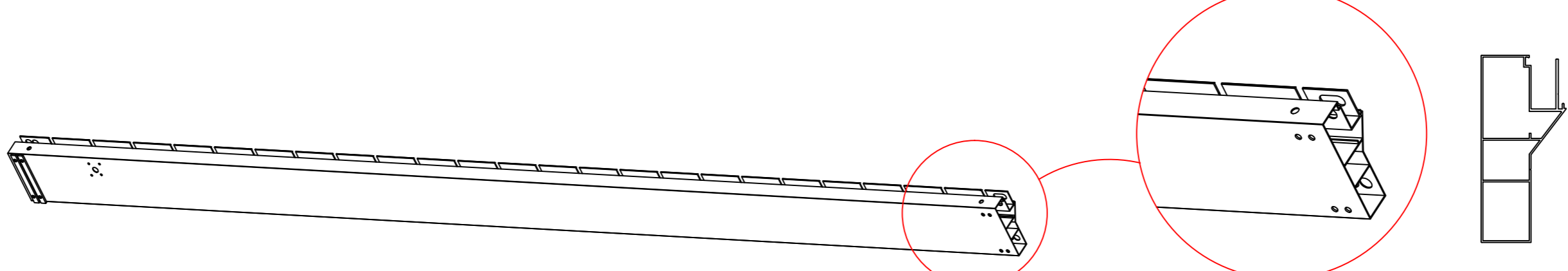
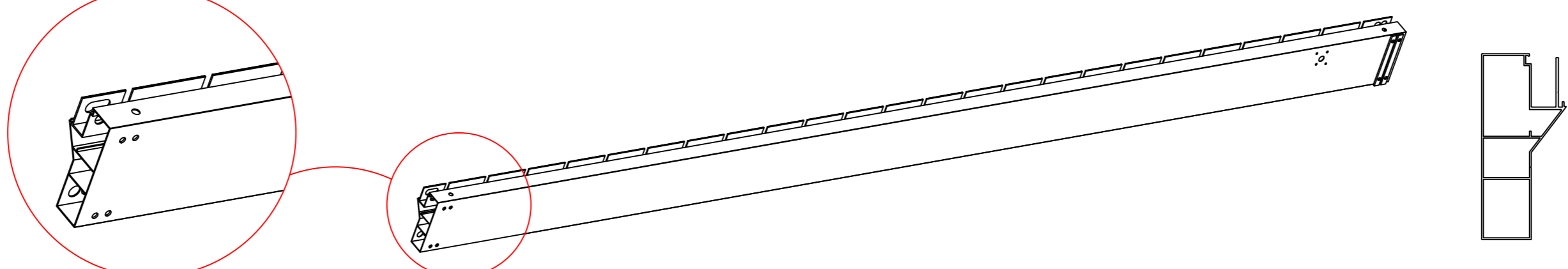
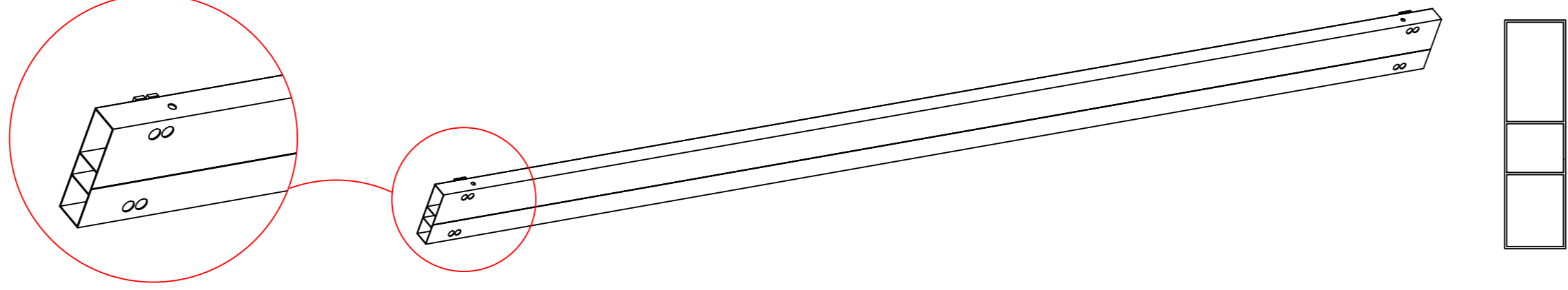
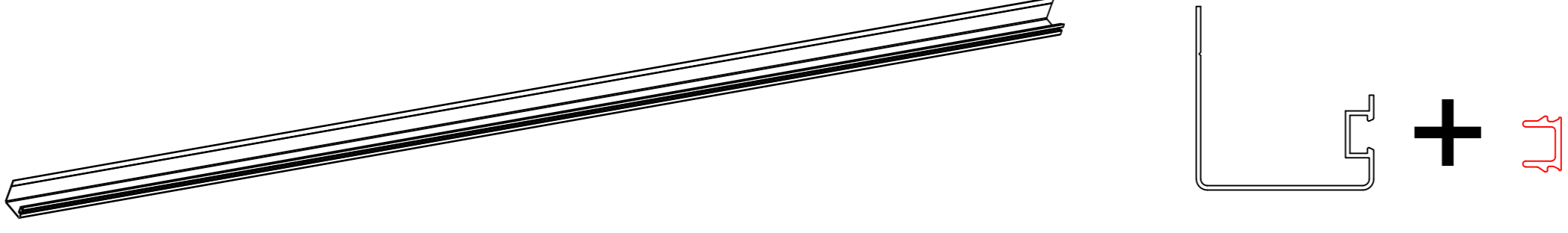
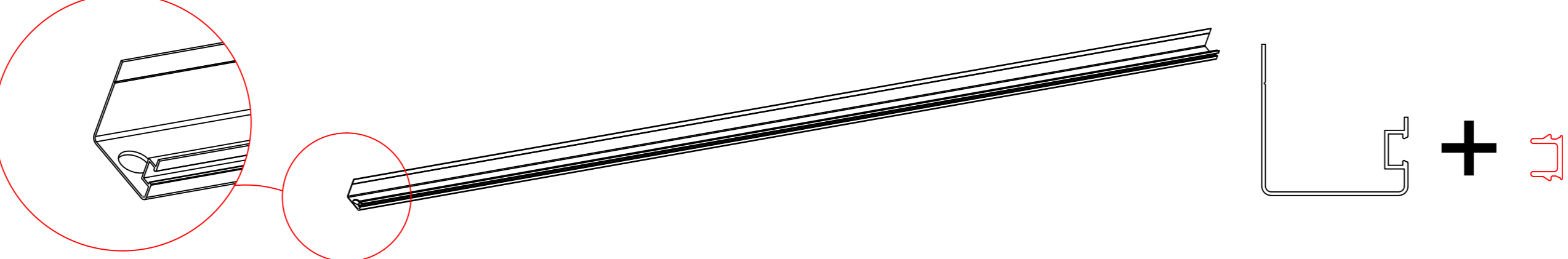
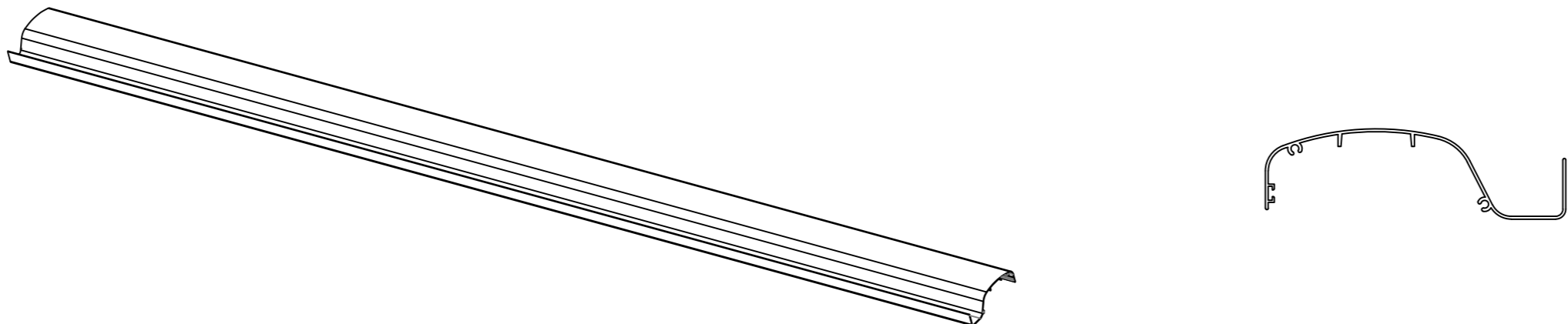


3x5m

	Item	Qty	Item	Qty	Item	Qty
Carton 1/6	1B-27	2	1B-51	168+	1B-11	4
	1B-12	4	1B-13	4	1B-13B	2
	1B-14	2	1B-15	2	1B-18	1
	1B-19	12+	1B-20	84+	1B-21	24+
	1B-22	36+	1B-23	22+	1B-24	1
	1B-26	2	1B-16	2	1B-32	2
	1B-33	2	1B-48	42+	1B-49	40+
	1B-50	2	1B-45	8	1B-46	8
	1B-63	4	1B-67	20+		
Carton 2/6	1B-01	4				
Carton 3/6	1B-02	1	1B-02-2	1	1B-03	1
	1B-03-2	1	1B-29	4	1B-08A	1
	1B-08B	1	1B-08C	1	1B-08D	1
	1B-09	4				
Carton 4/6	1B-04	2	1B-05	2	1B-05-2	4
	1B-06	6				
Carton 5/6	1B-06	24				
Carton 6/6	1B-06	12				

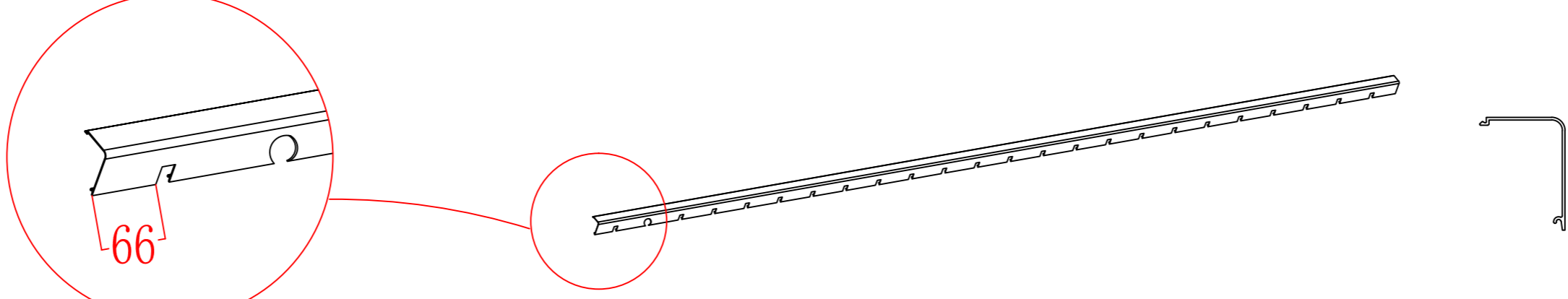
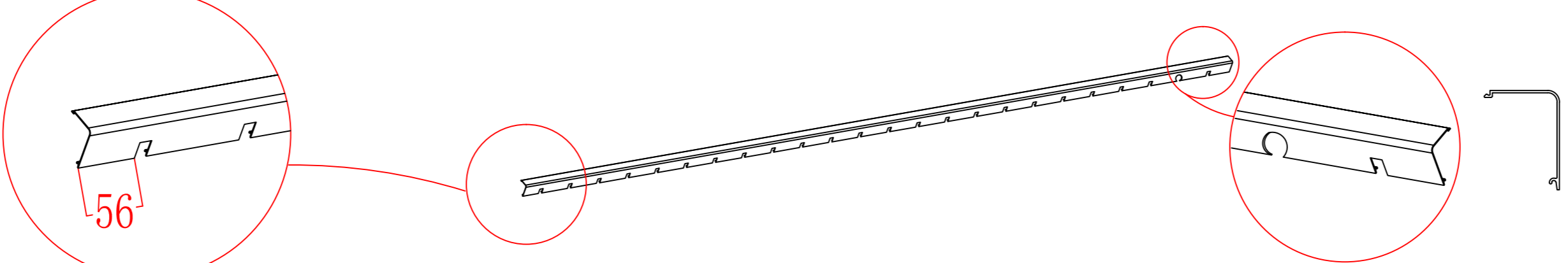
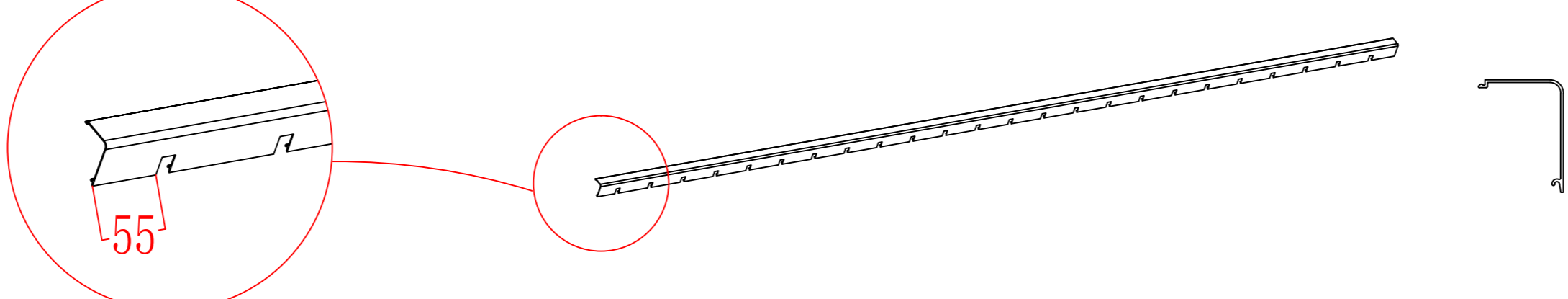
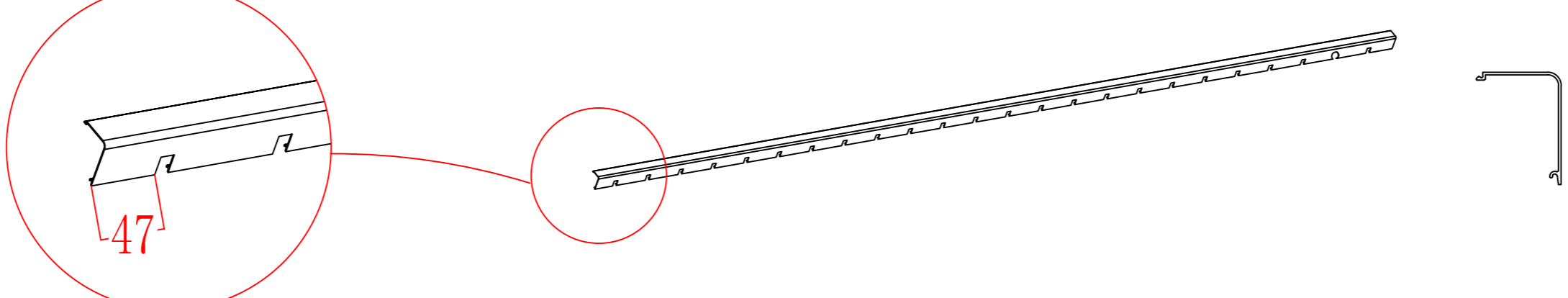
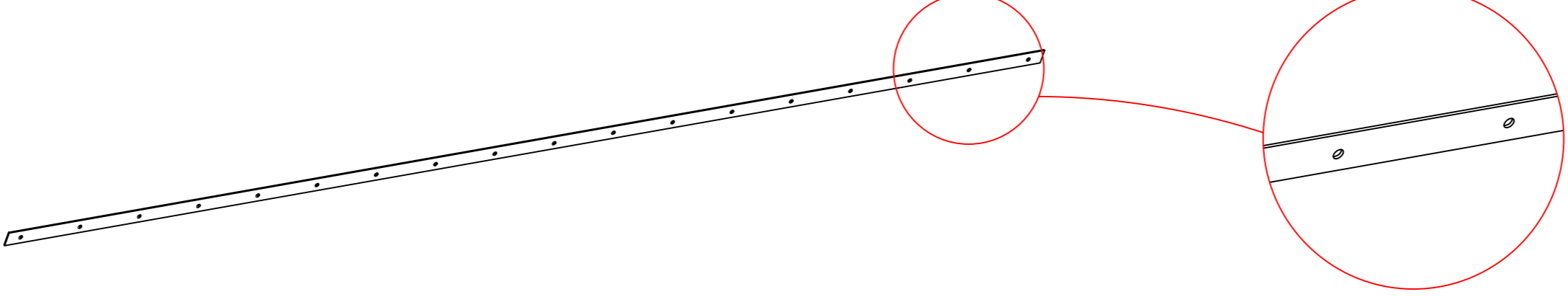
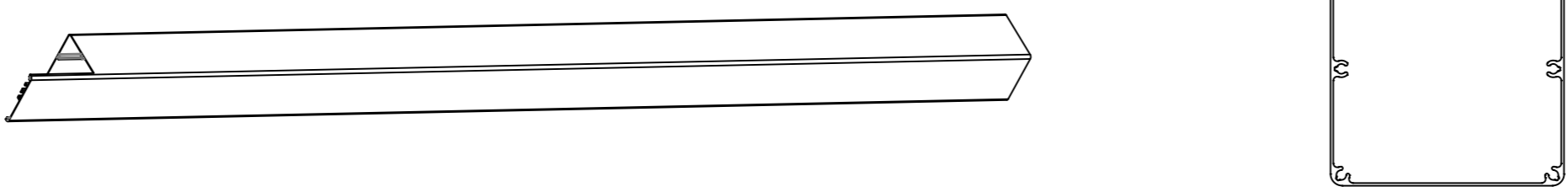
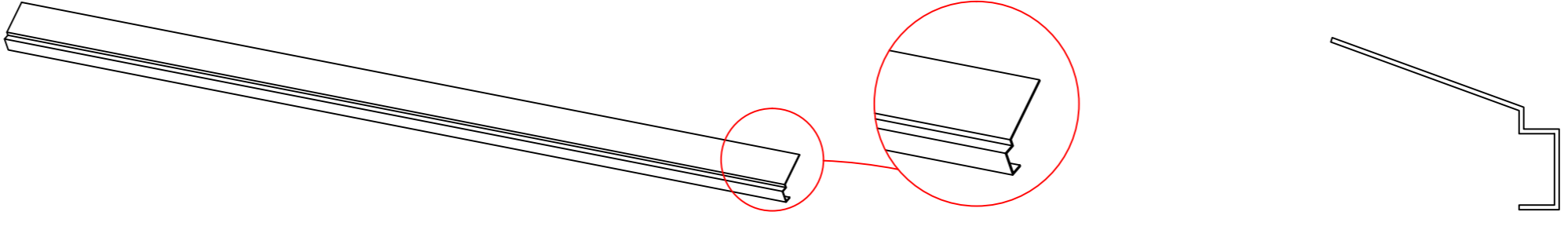




Item	Drawings	Qty
1B-01		4
1B-02		1
1B-02-2		1
1B-03		1
1B-03-2		1
1B-04		2
1B-05		2
1B-05-2		4
1B-06		42





Item	Drawings	Qty
1B-08A		1
1B-08B		1
1B-08C		1
1B-08D		1
1B-09		4
1B-27		2
1B-29		4





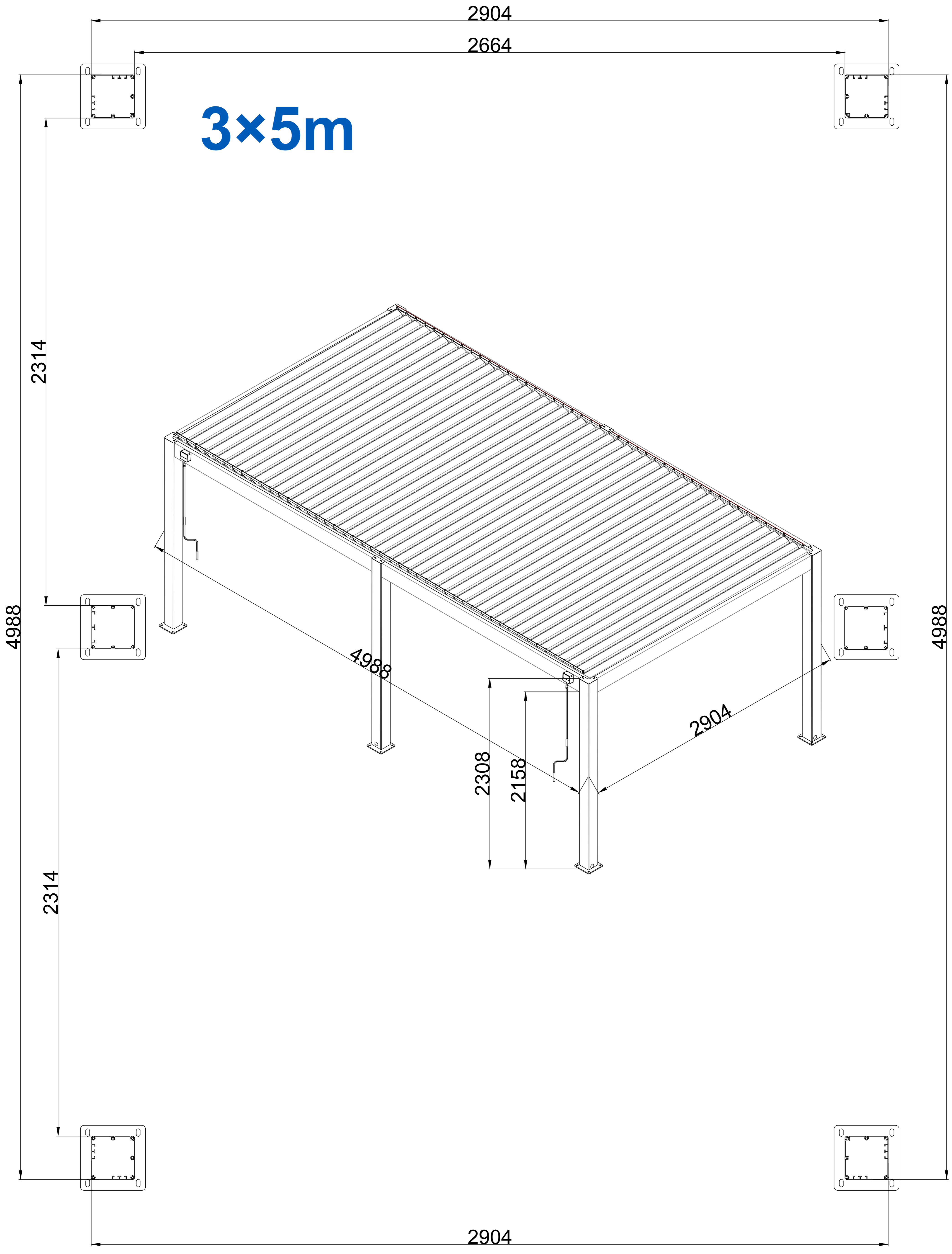
Item	Drawings	Qty
1B-11		4
1B-12		4
1B-13		4
1B-13B		2
1B-14		2
1B-15		2
1B-18		1
1B-19	 M8*20	12+
1B-20		84+
1B-21	 M10*80	24+
1B-22	 M5.5*50	36+
1B-23	 M4.2*19	22+
1B-67	 M4.2*50	20+

Item	Drawings	Qty
1B-24		1
1B-26		2
1B-32		2
1B-33		2
1B-16		2
1B-48		42+
1B-49		40+
1B-50		2
1B-51	 M3.5*25	168+
1B-45	 M8*12	8
1B-46	 Φ12-M8*12	8
1B-63		4

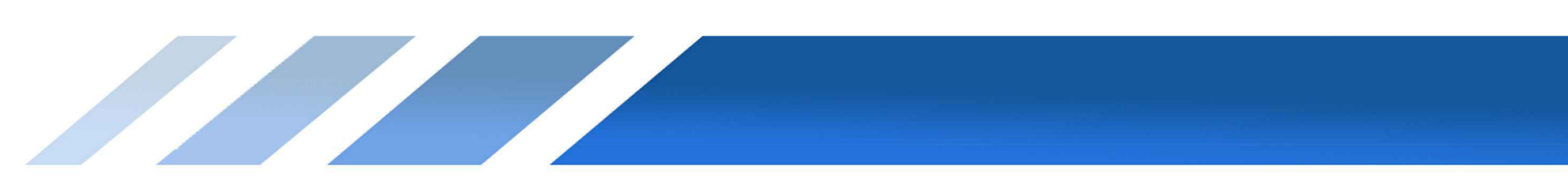


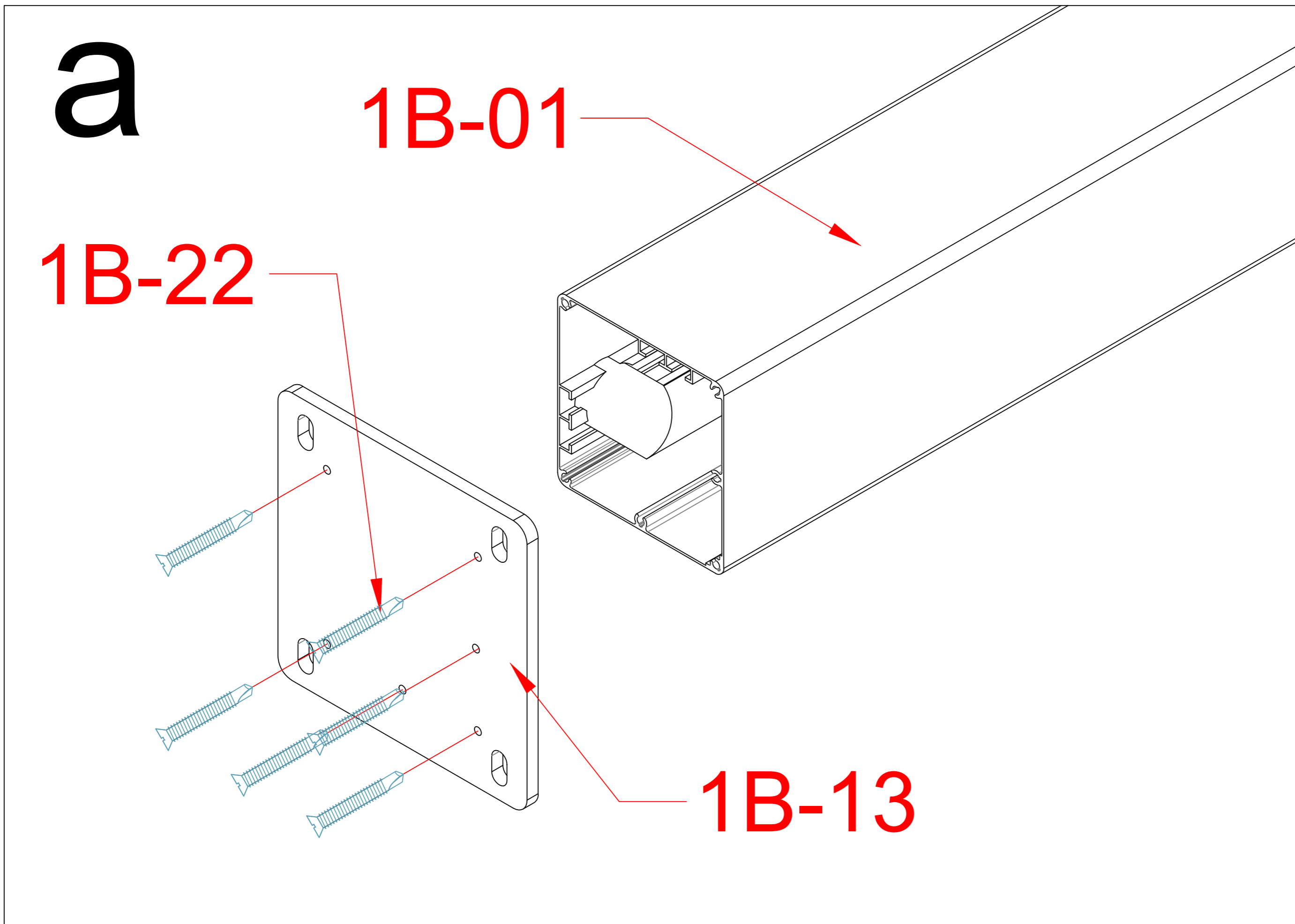


3x5m

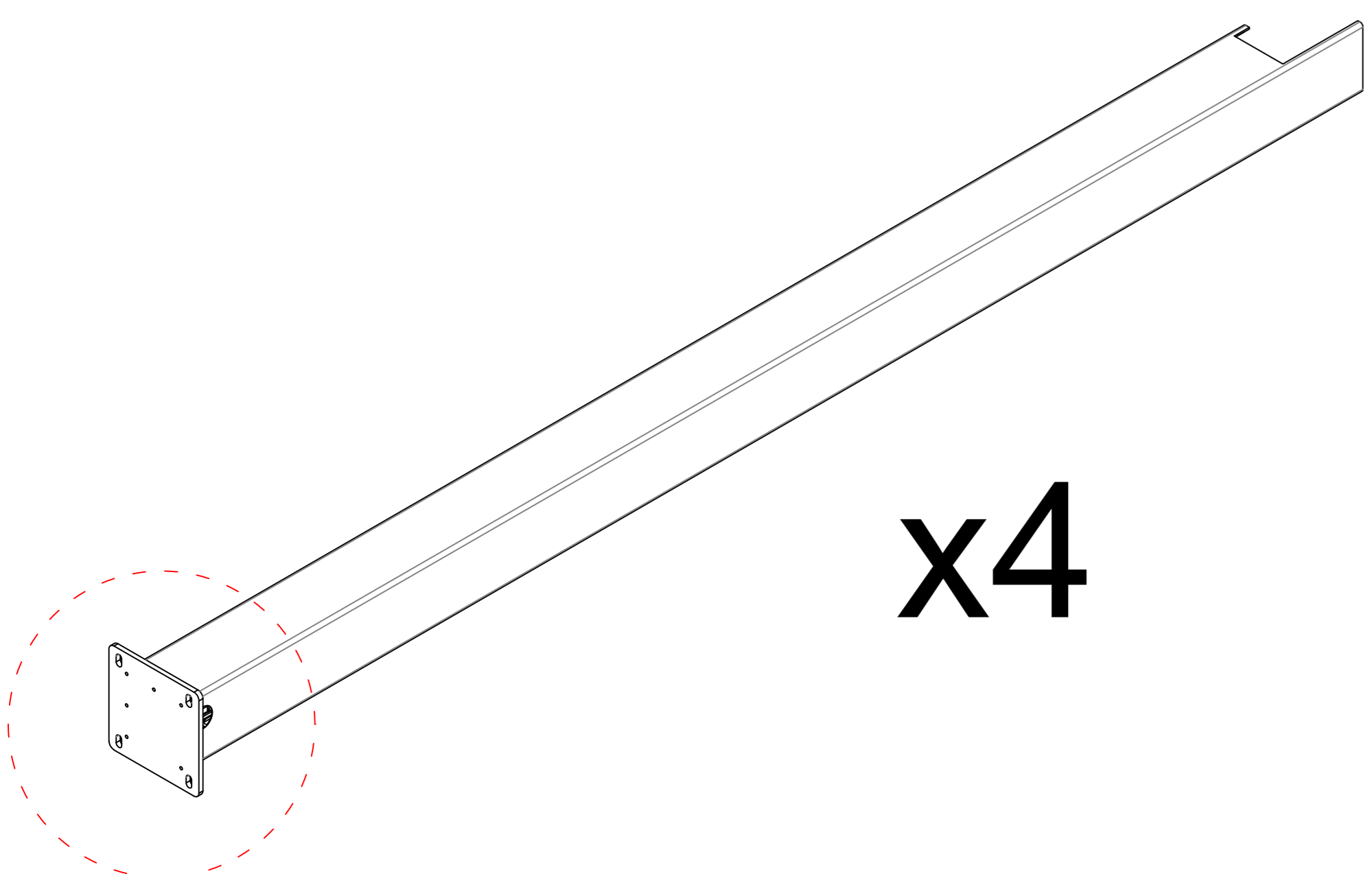
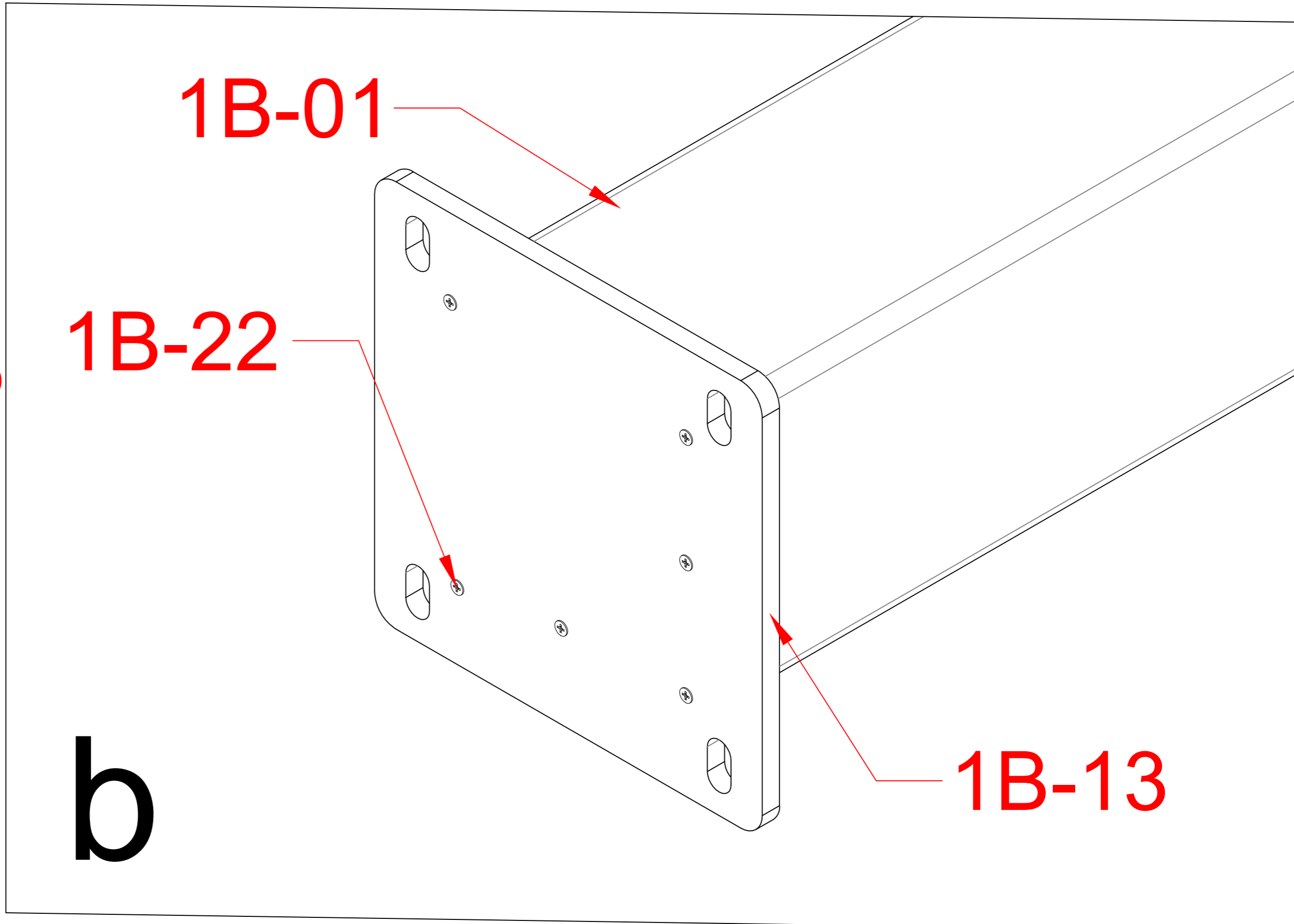


3x5-5



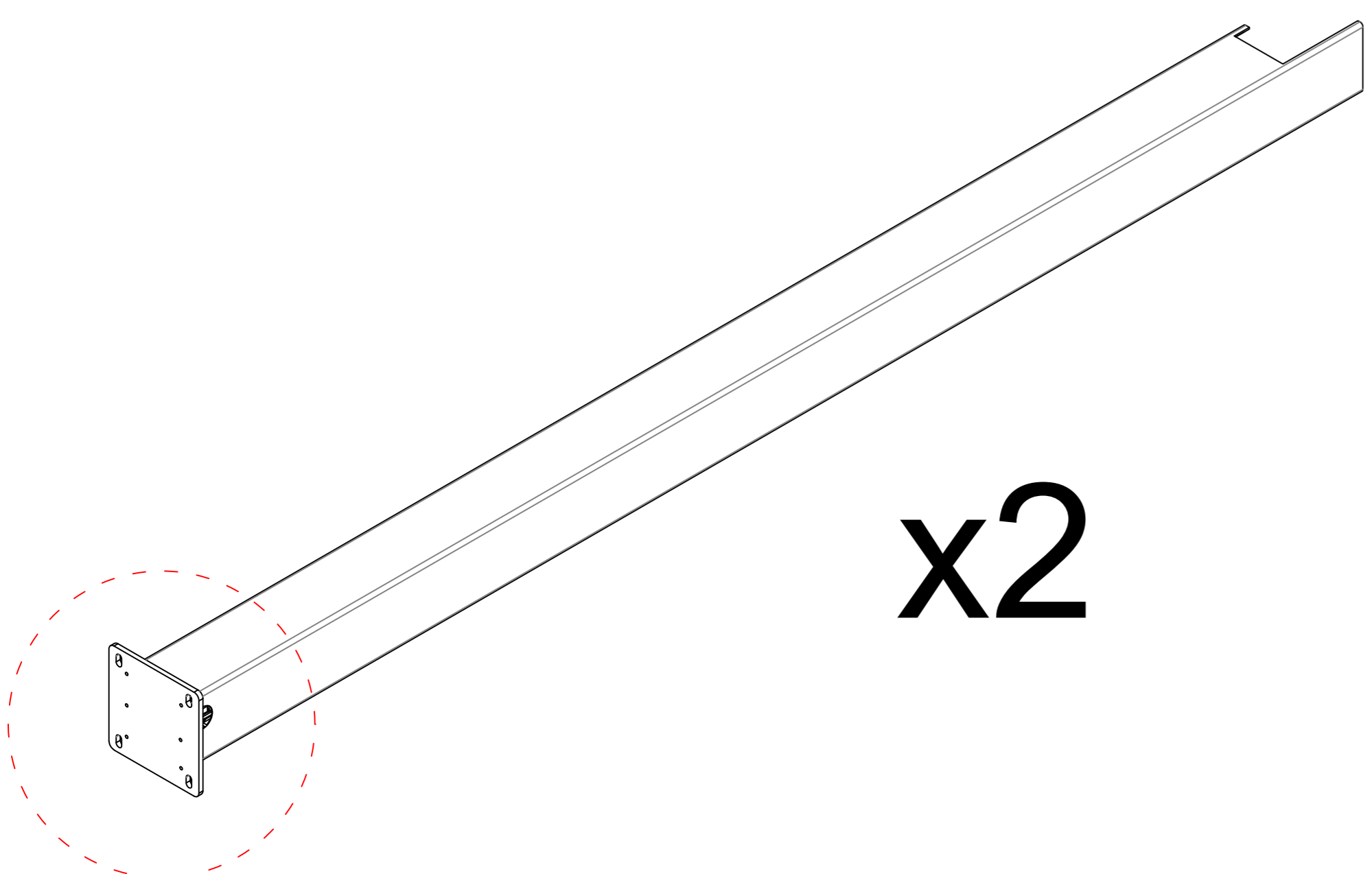
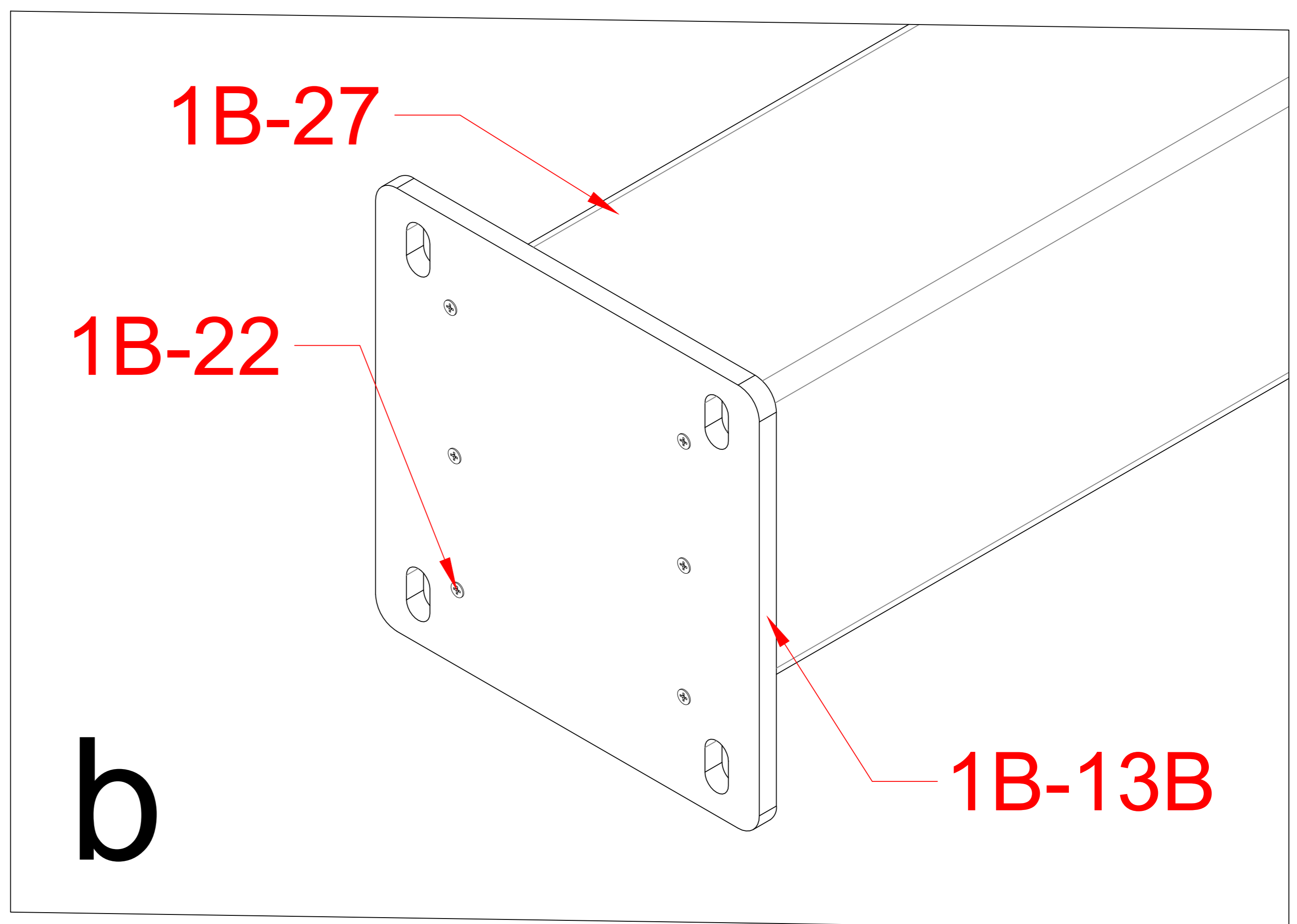
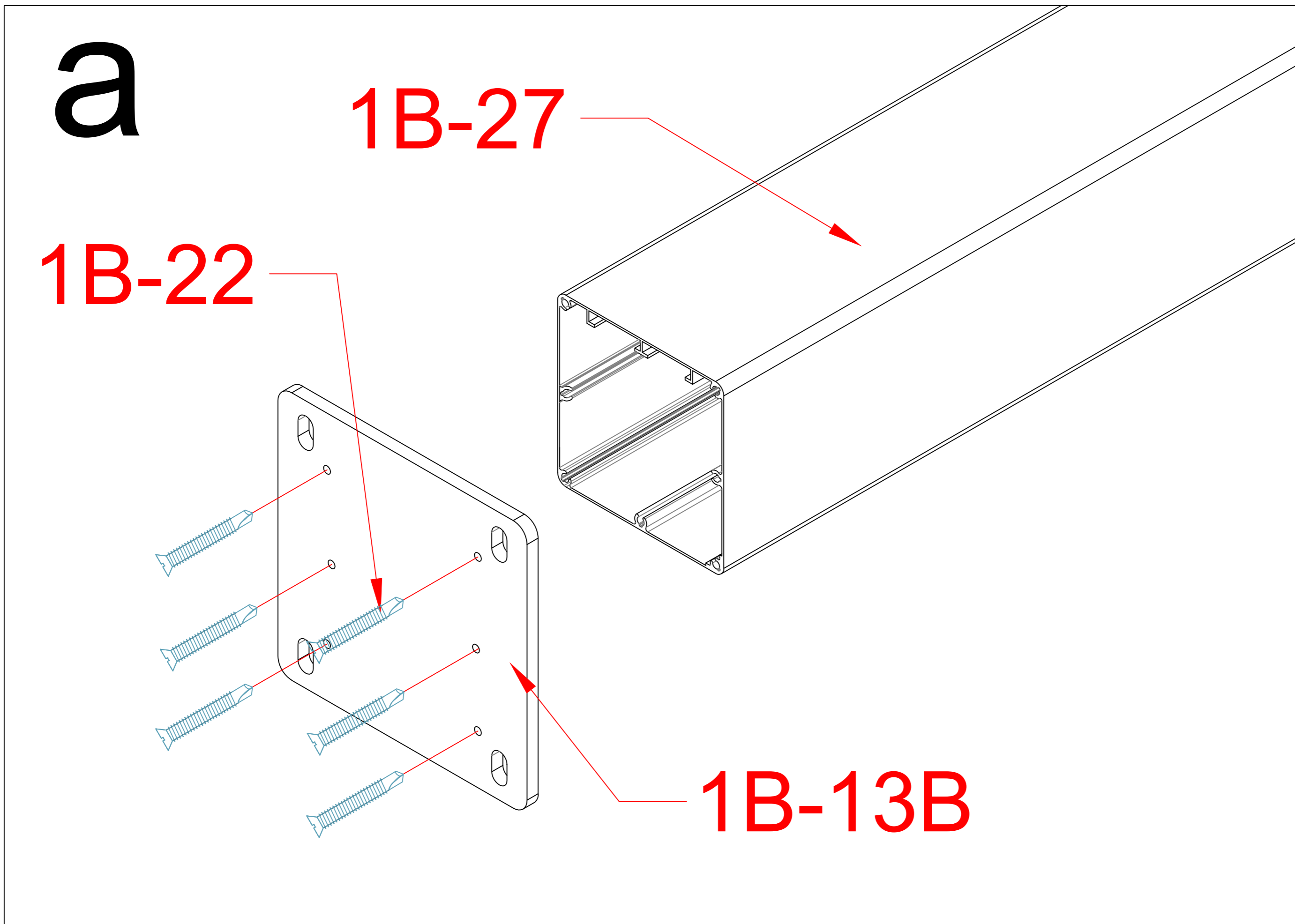


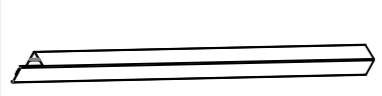
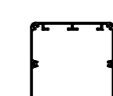
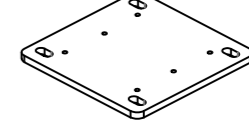
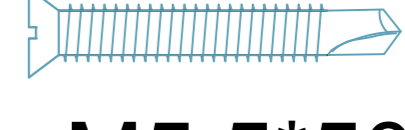
If there are electrical components including motor, blinds or LED light, Set the wire through the post firstly, otherwise it would be very difficult to do so after pergola was assembled.

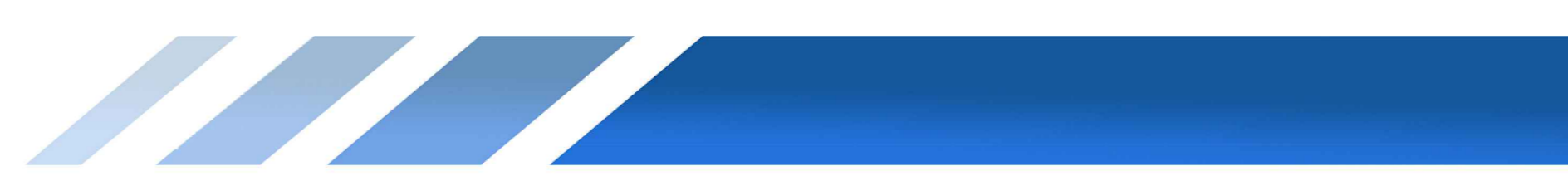


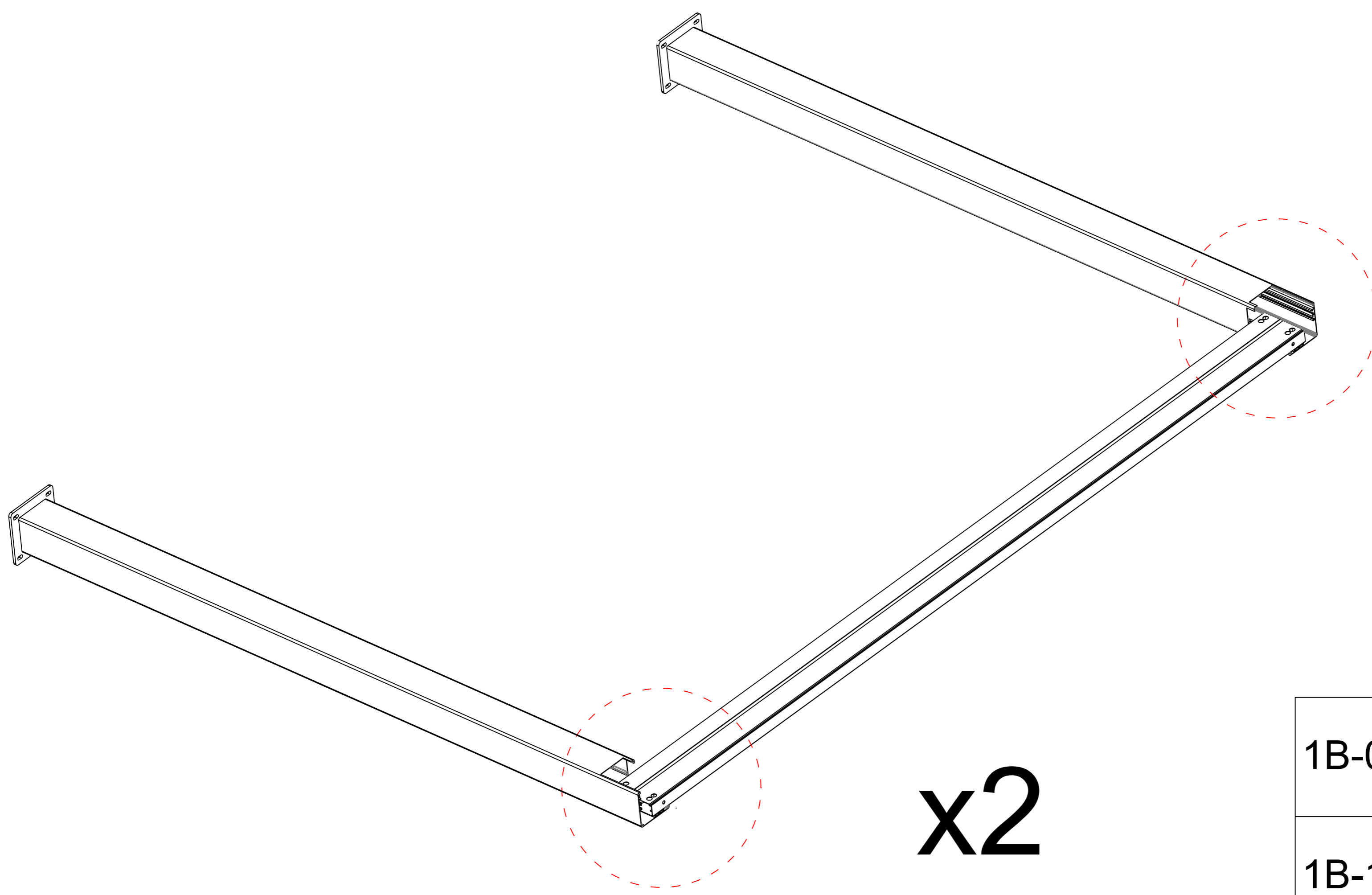
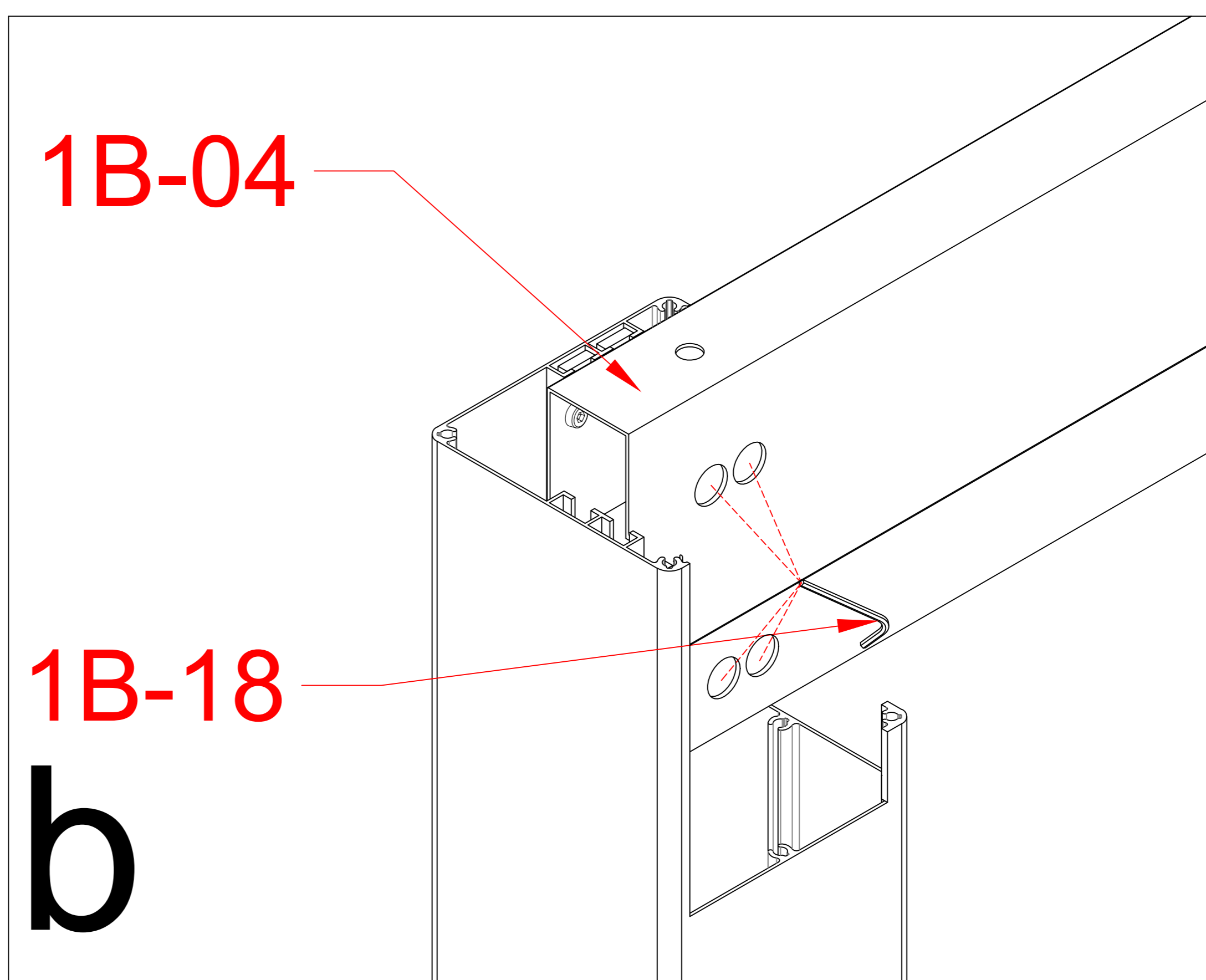
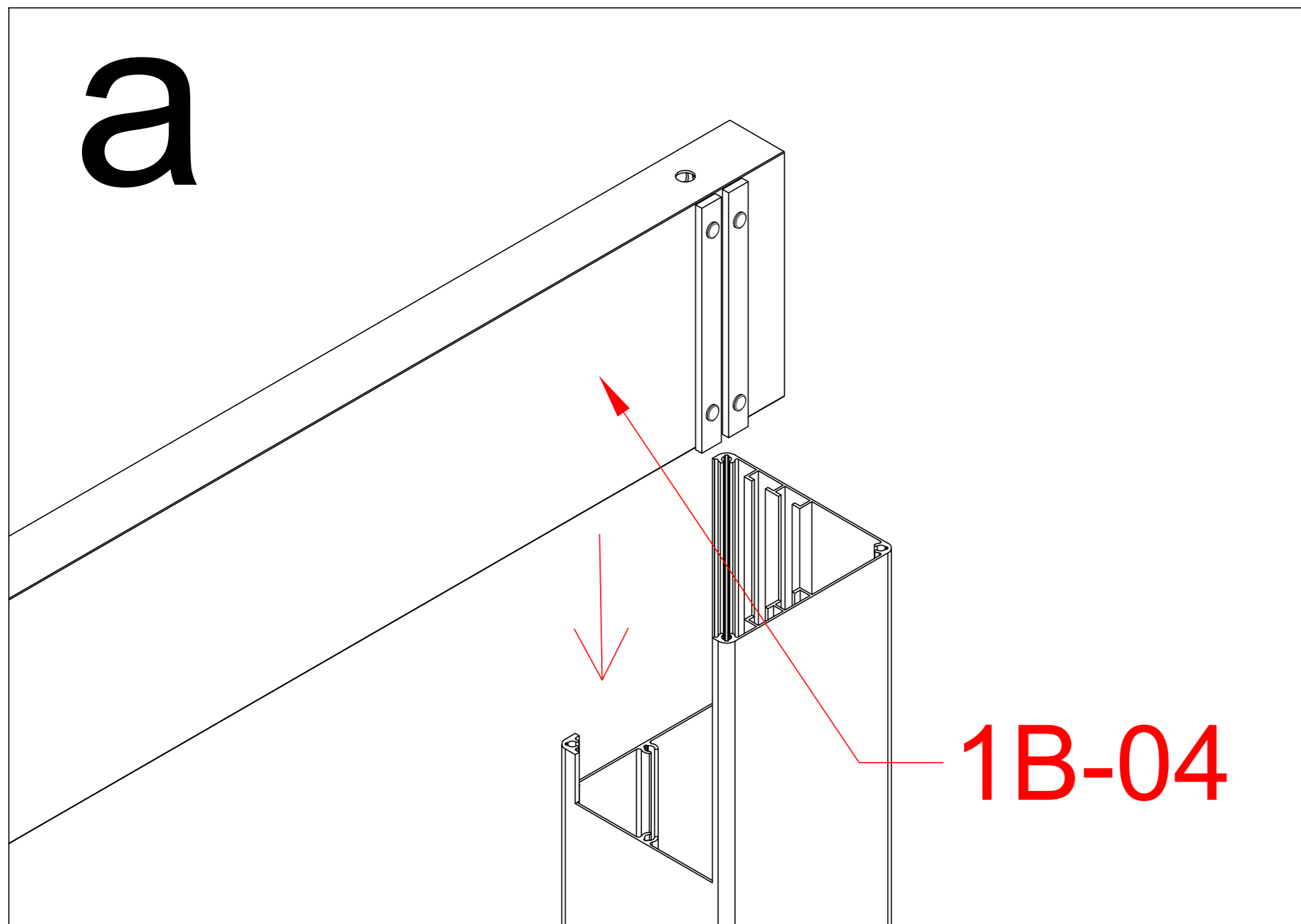
1B-01		4
1B-13		4
1B-22	 M5.5*50	24





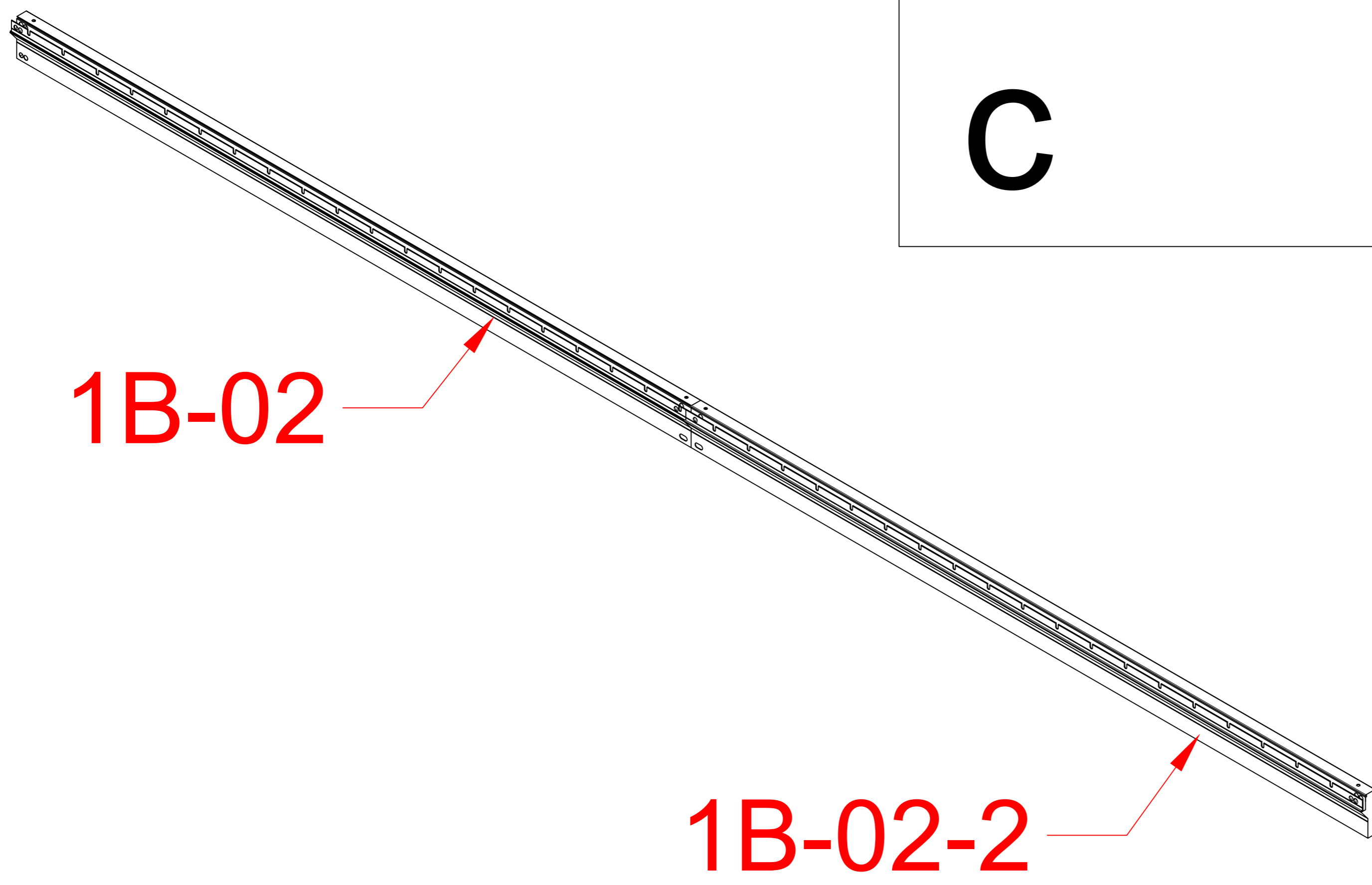
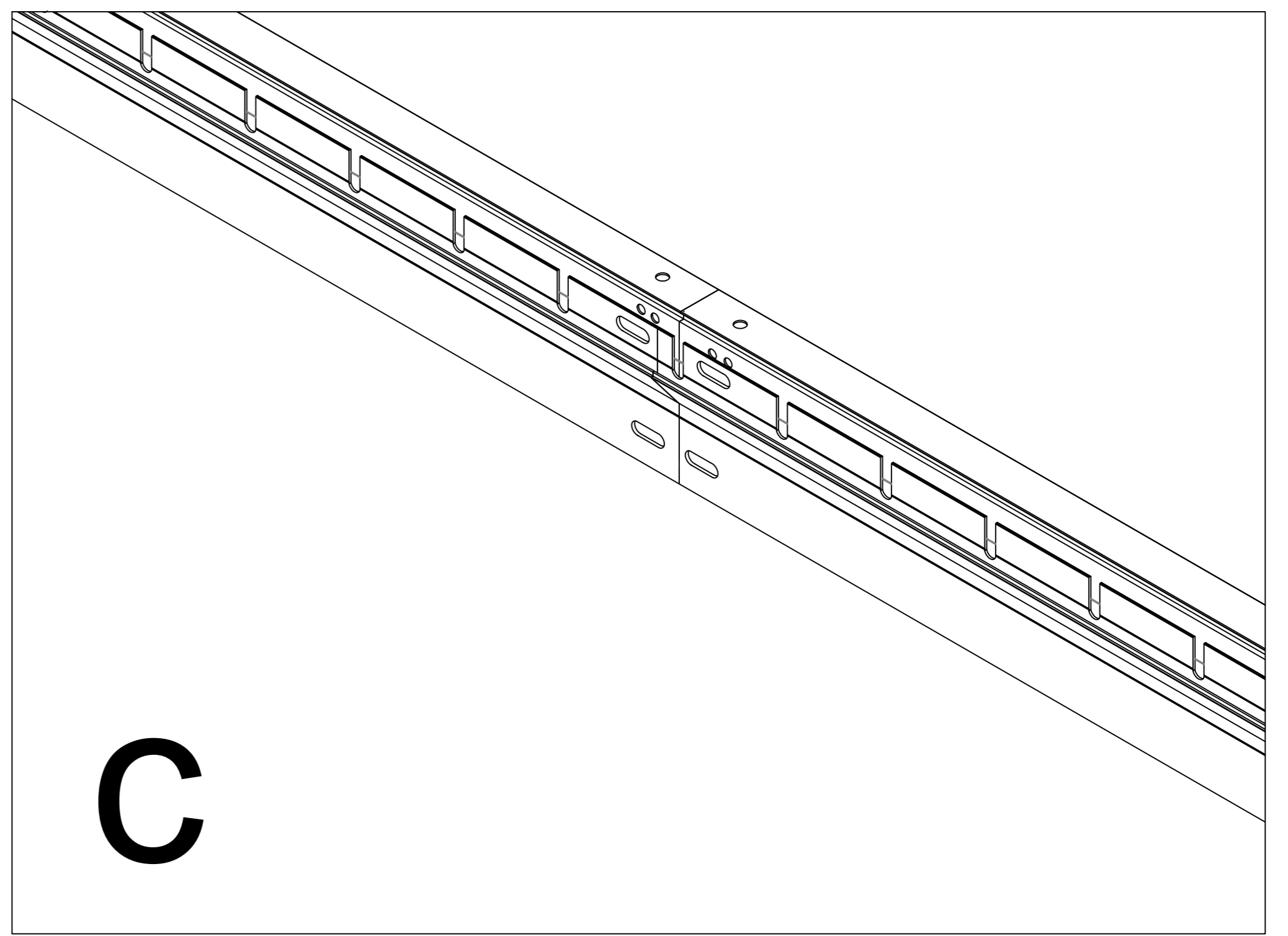
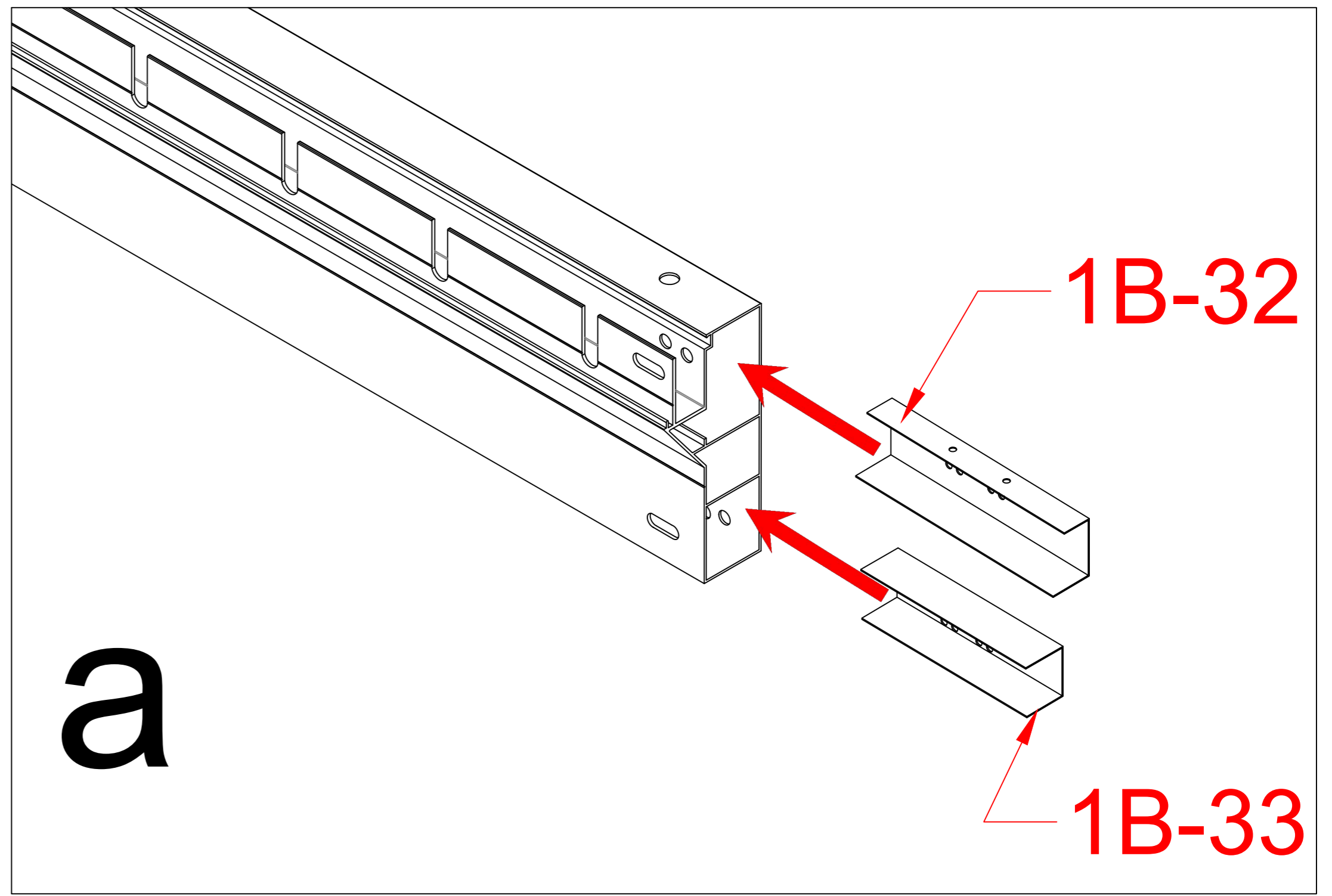
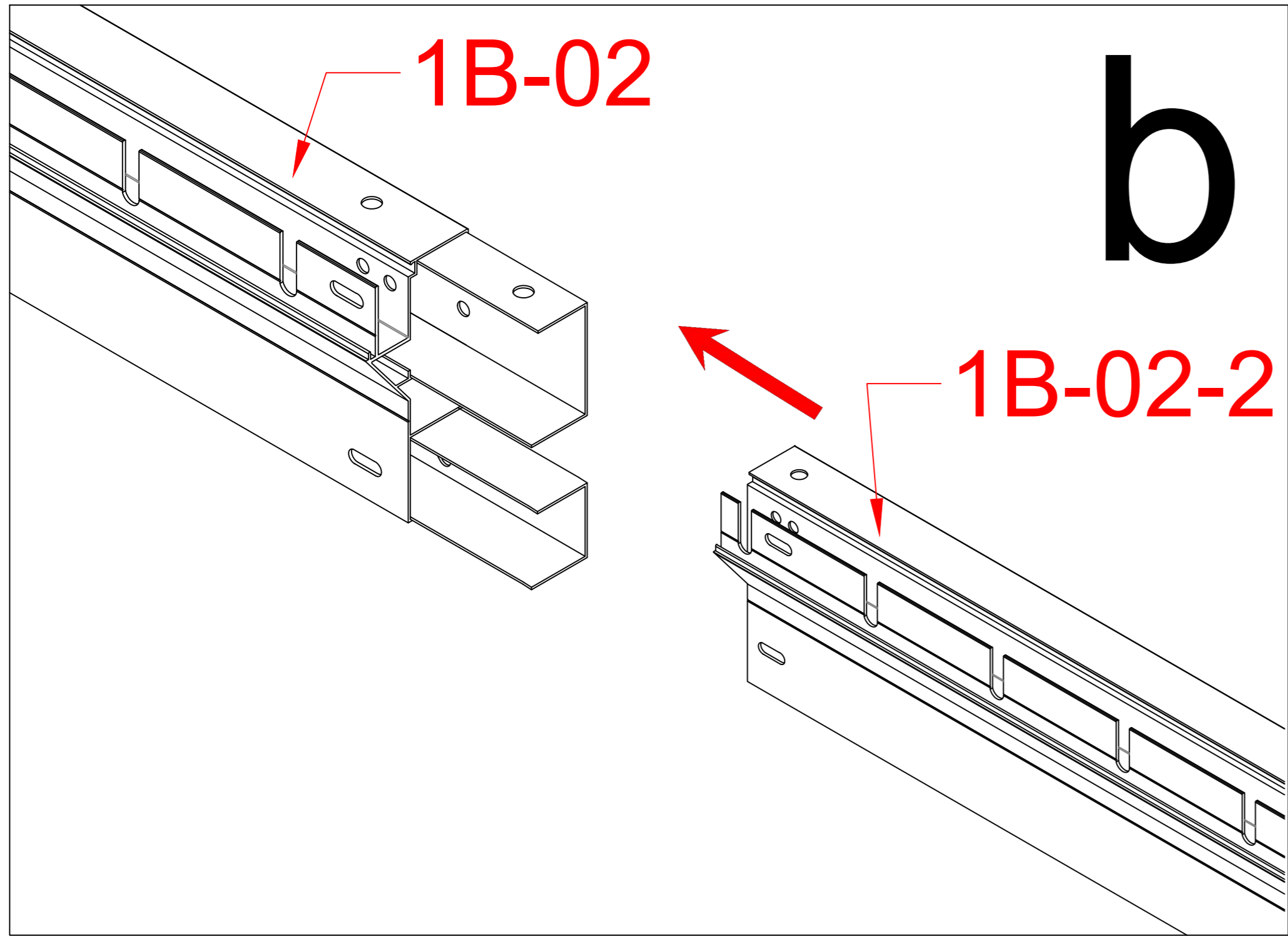
1B-27			2
1B-13B			2
1B-22	 M5.5*50		12





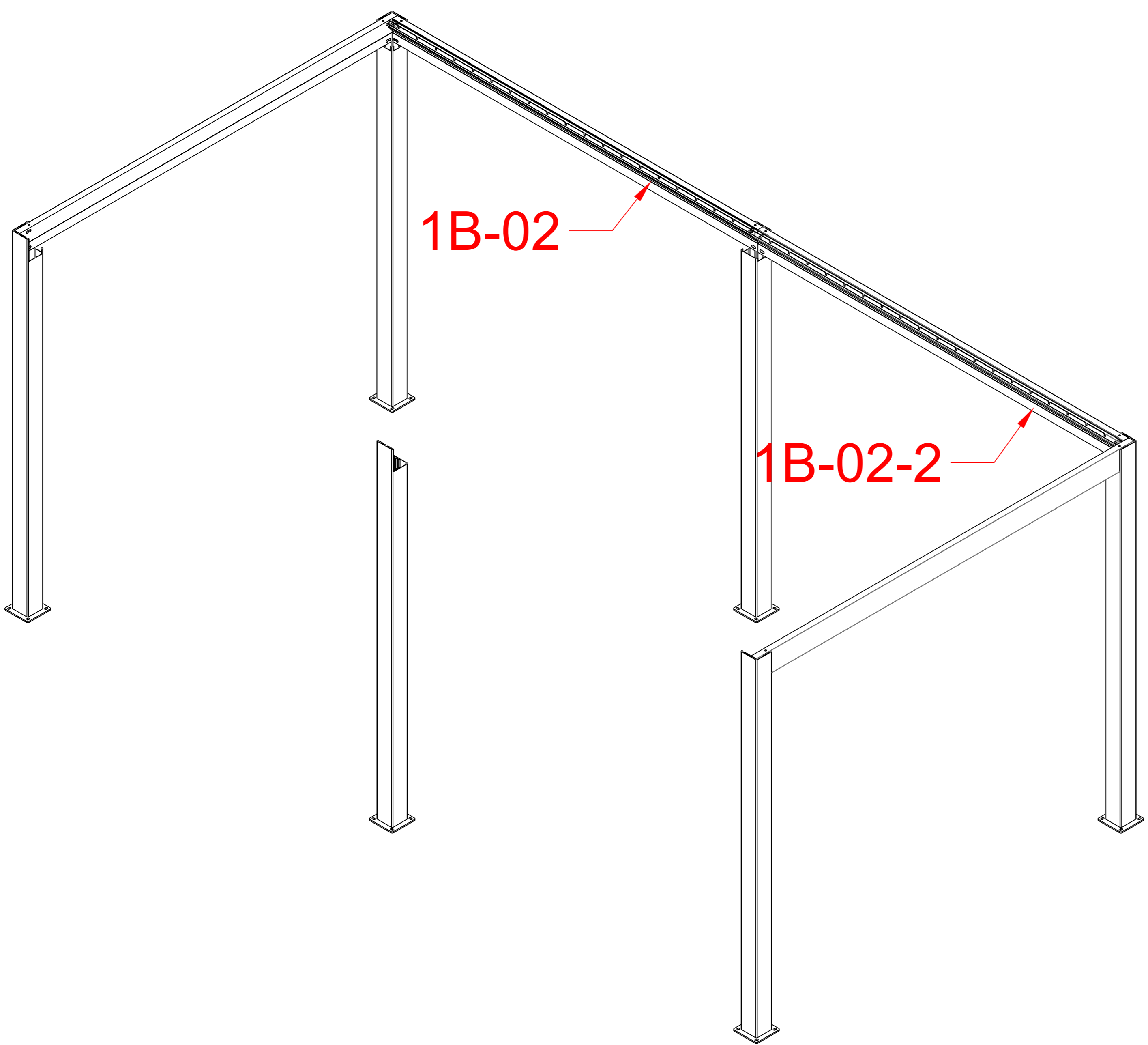
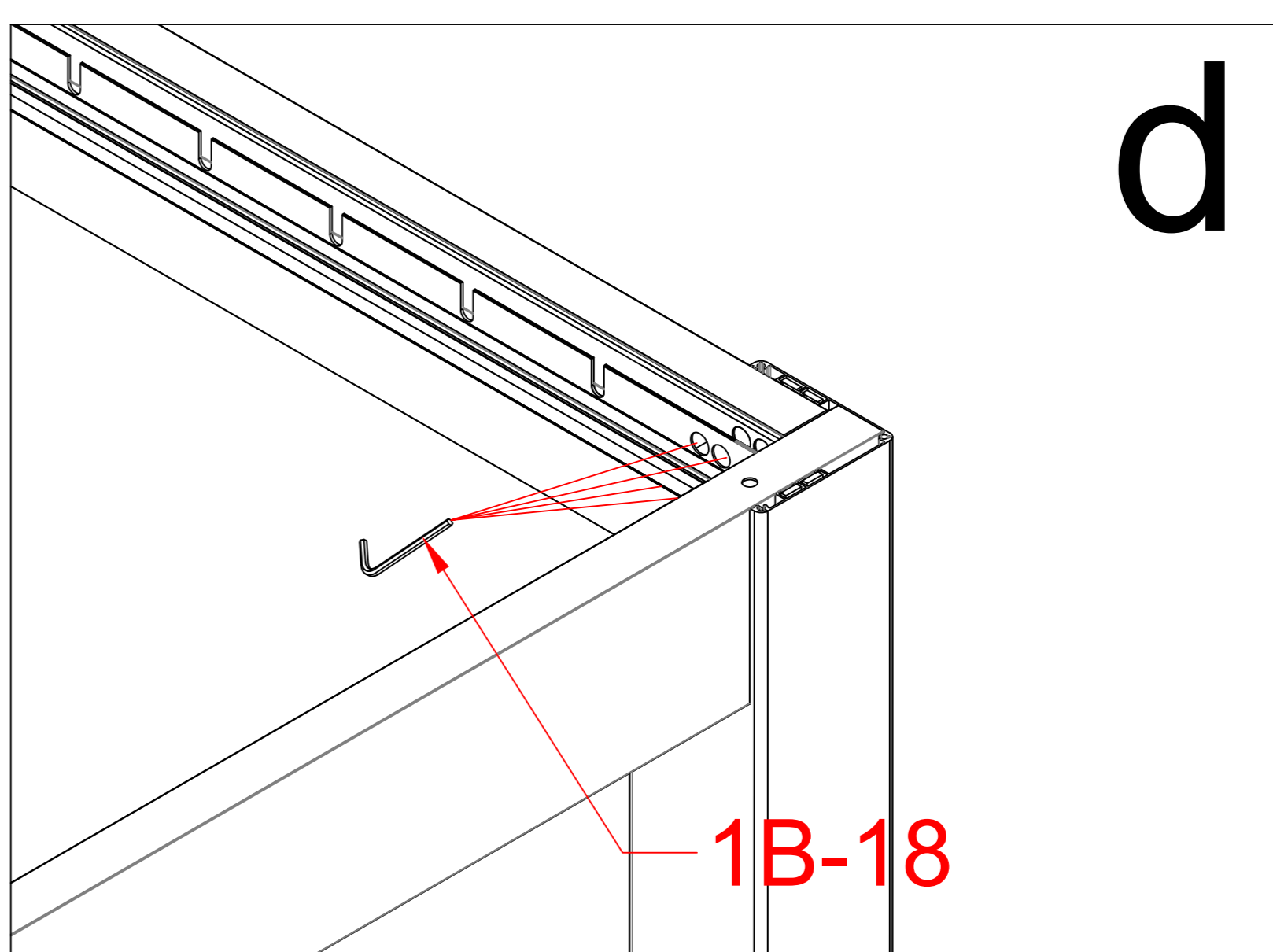
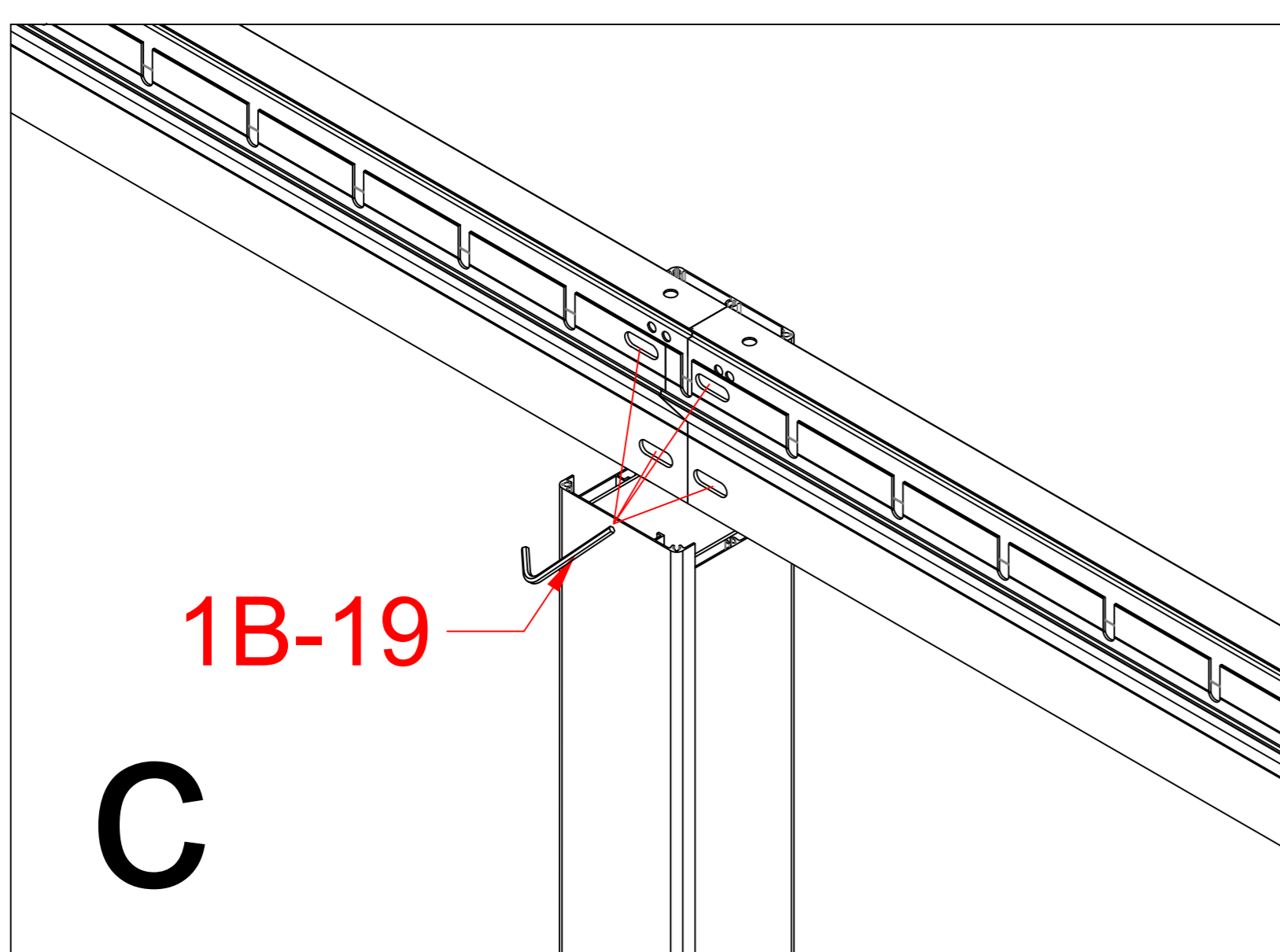
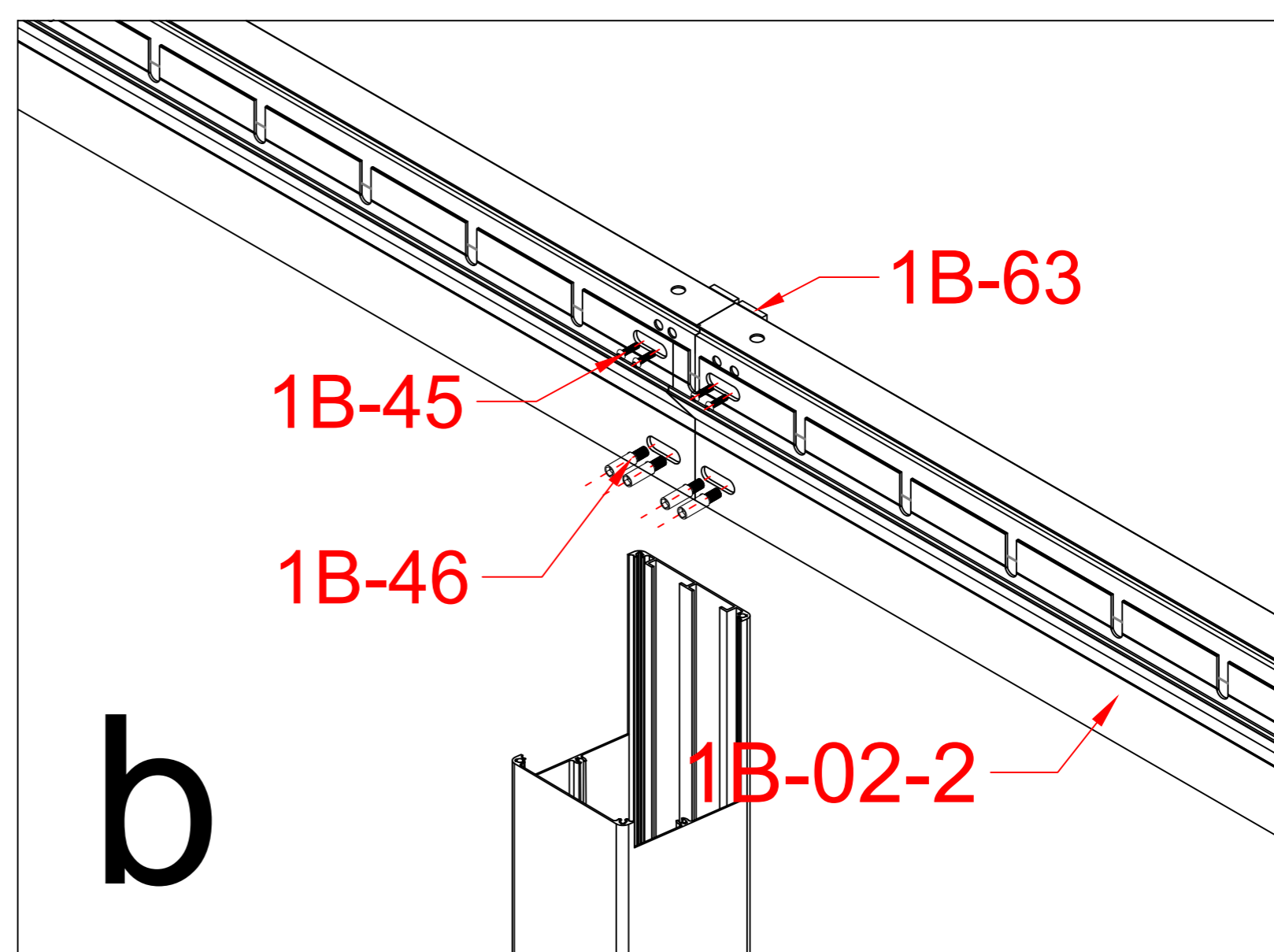
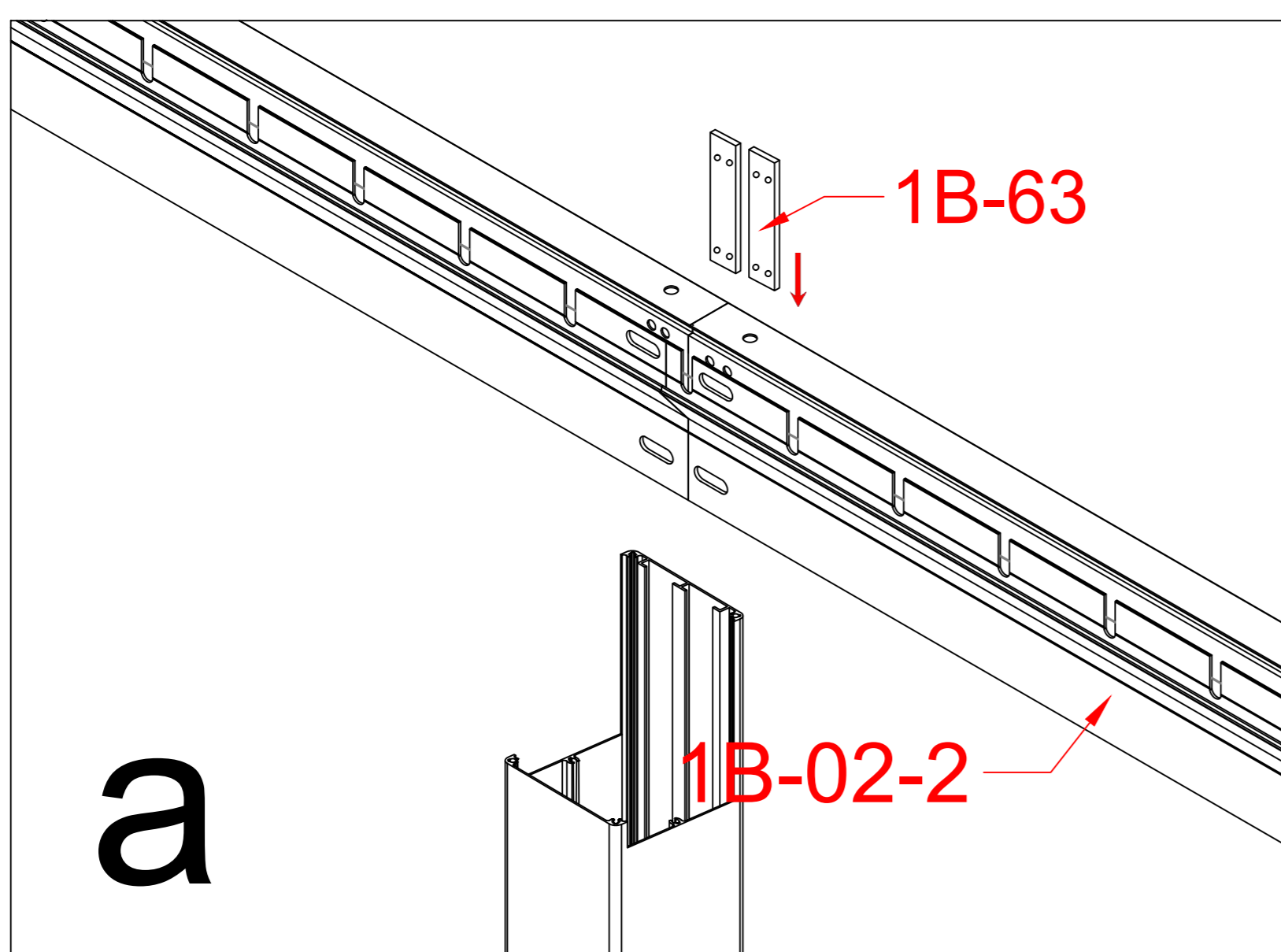
1B-04		2
1B-18		1





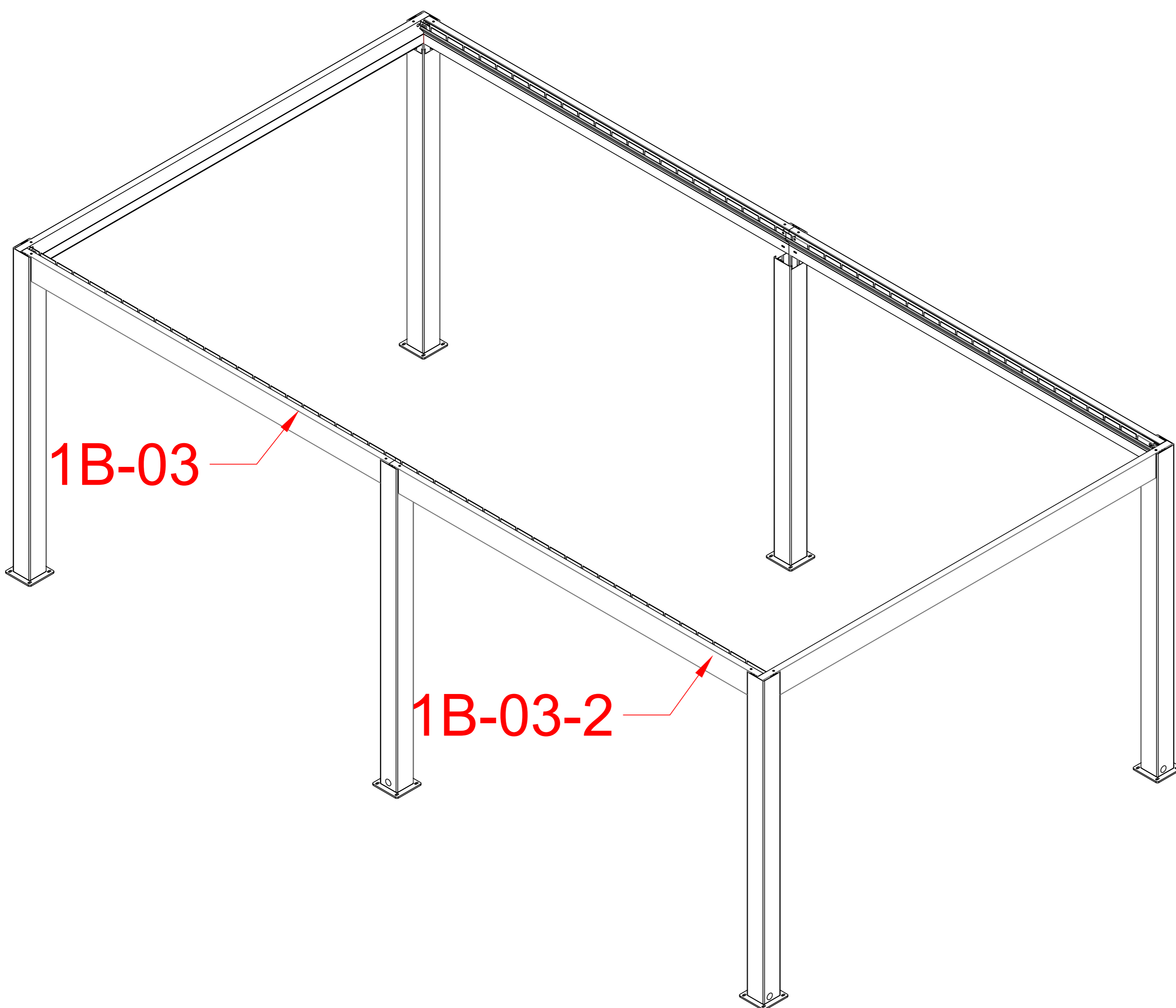
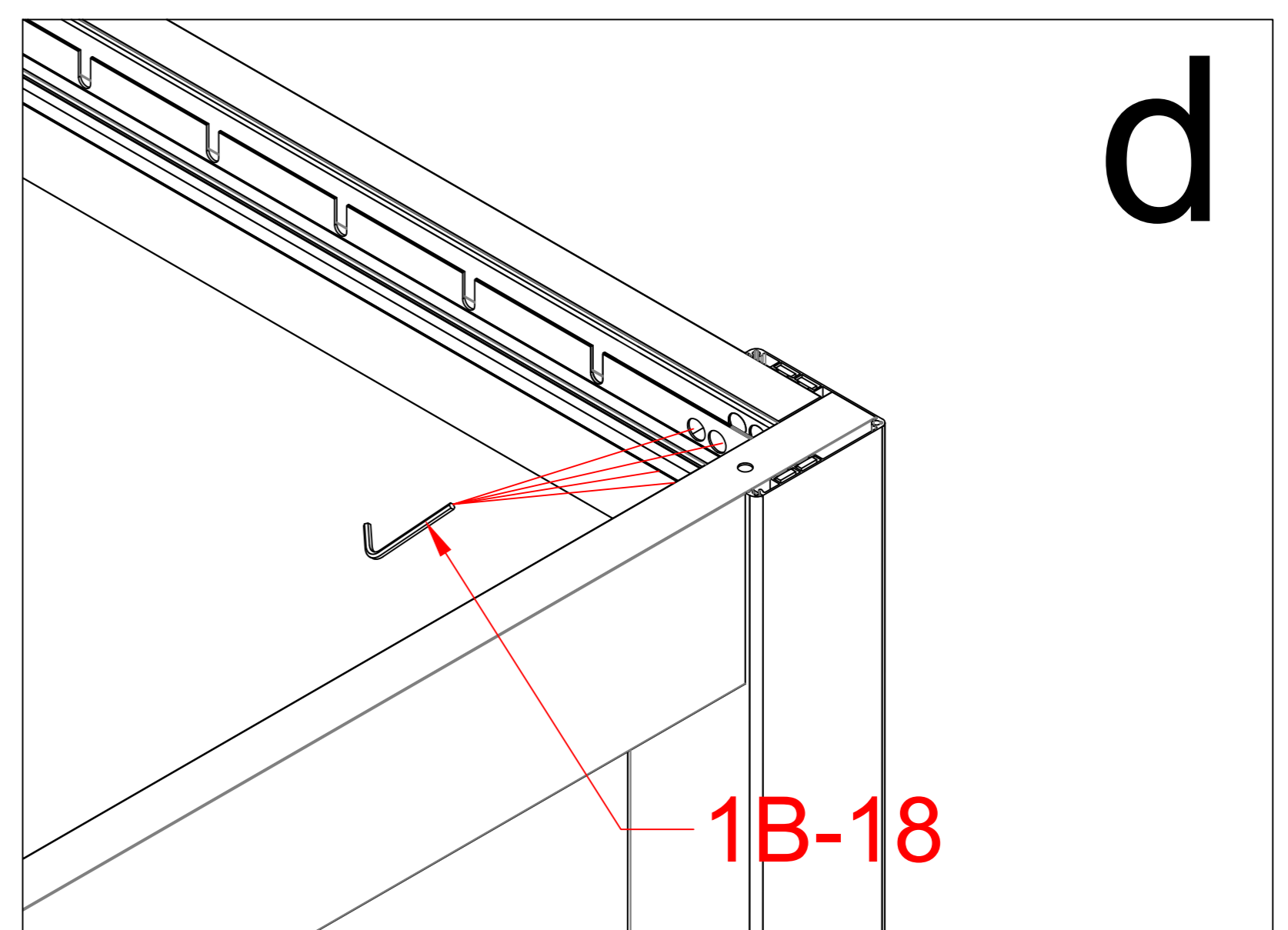
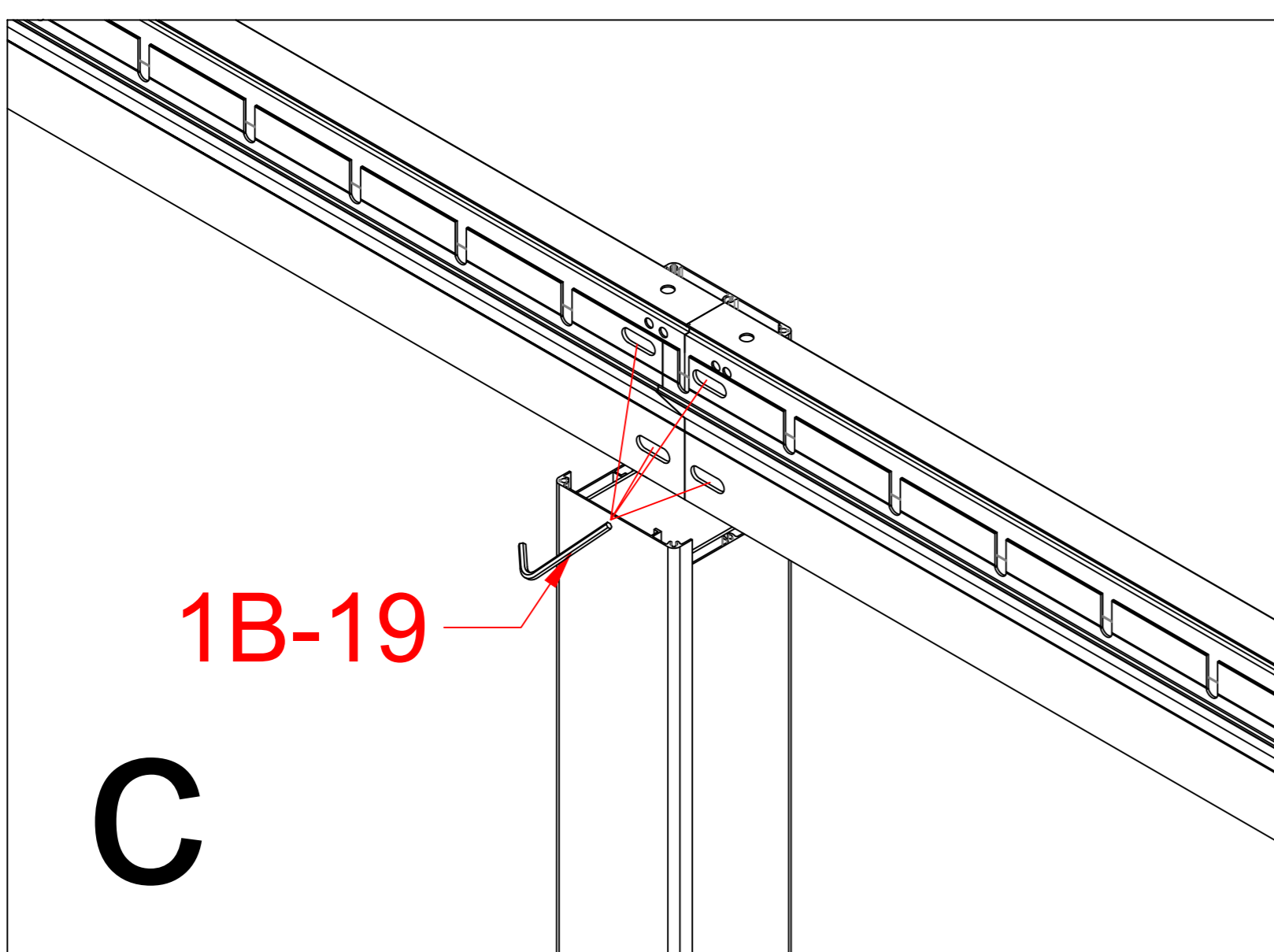
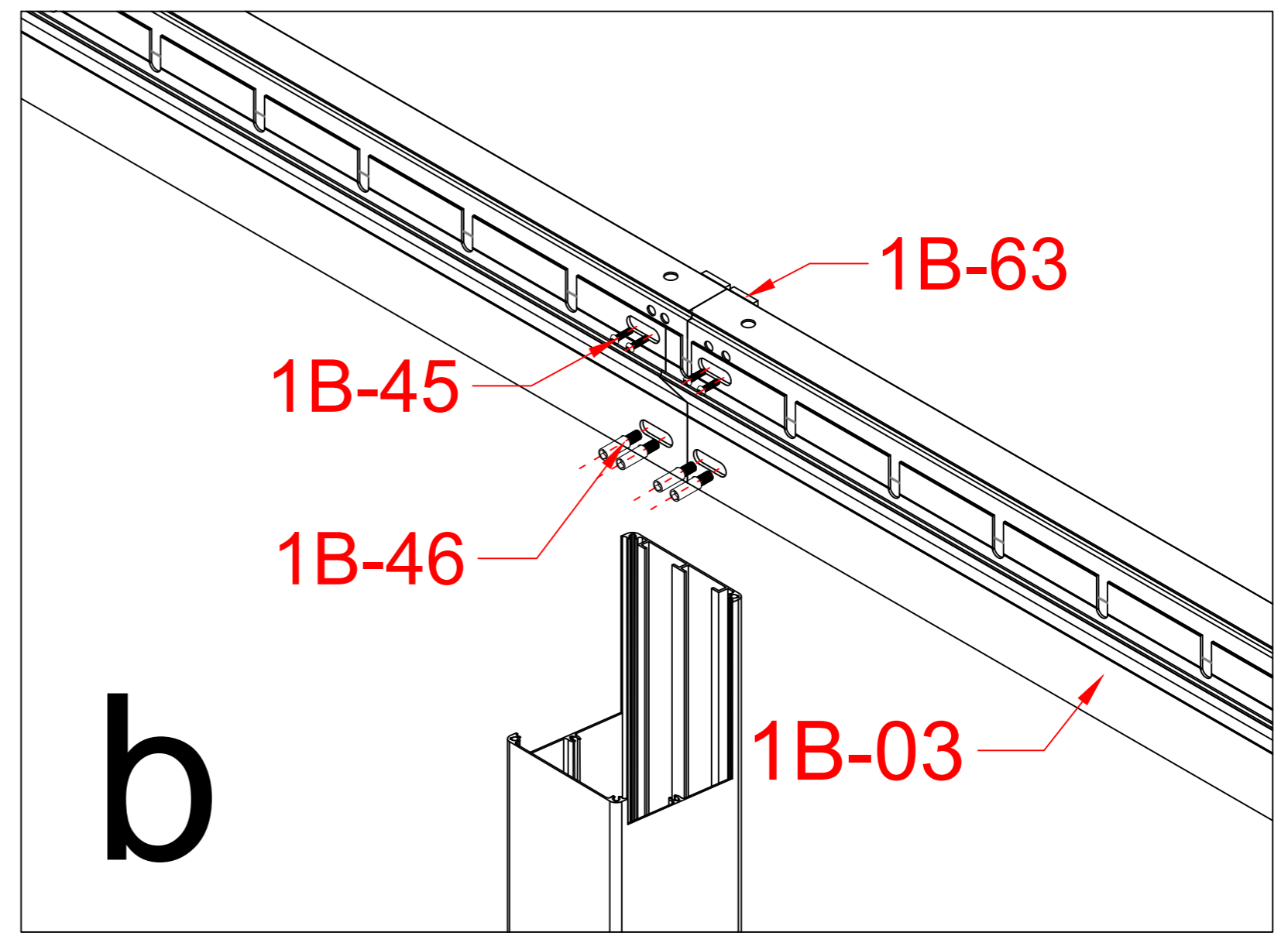
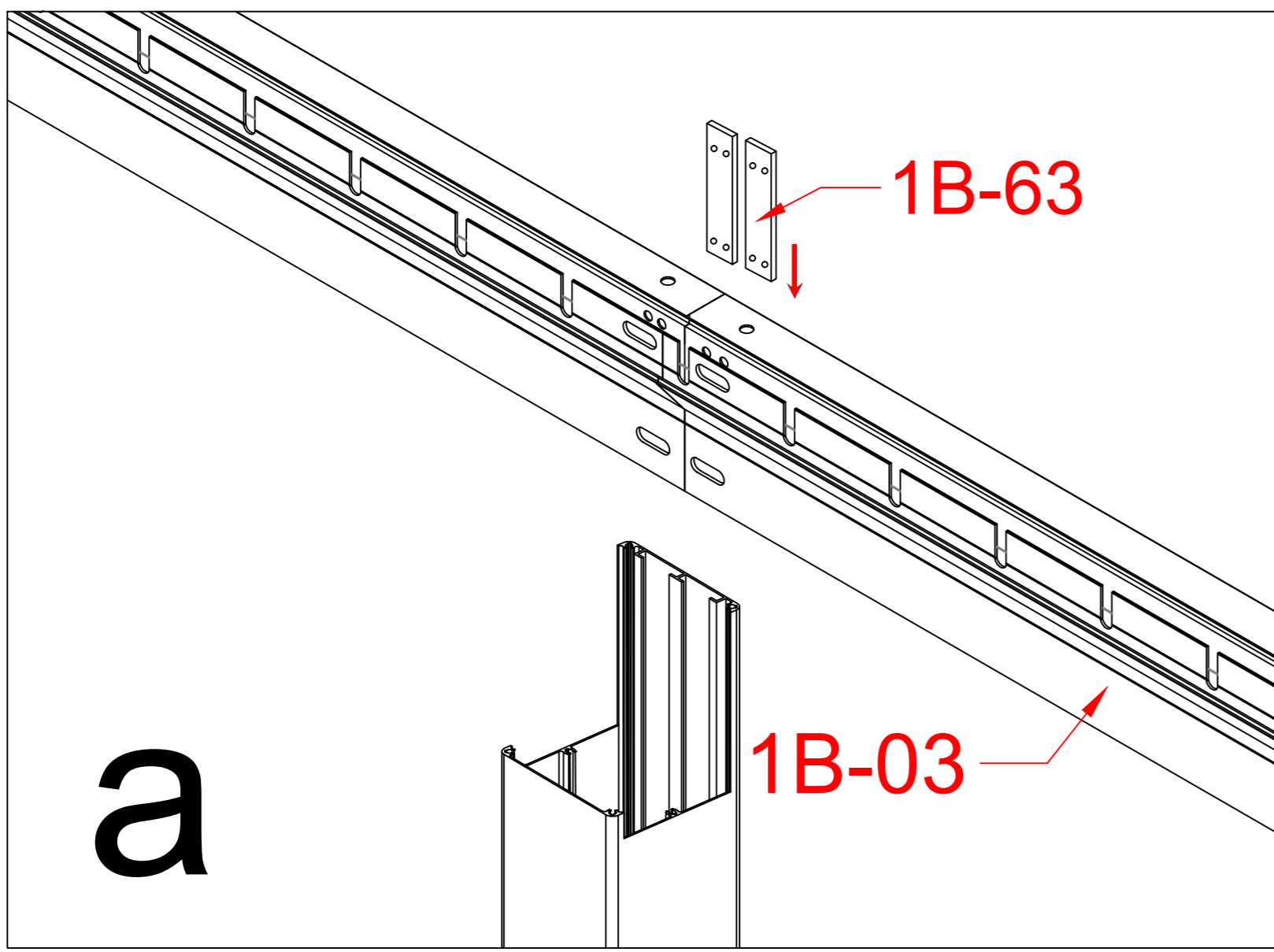
1B-02		1
1B-02-2		1
1B-32		1
1B-33		1





1B-63		2
1B-46		4
1B-18		1
1B-45		4





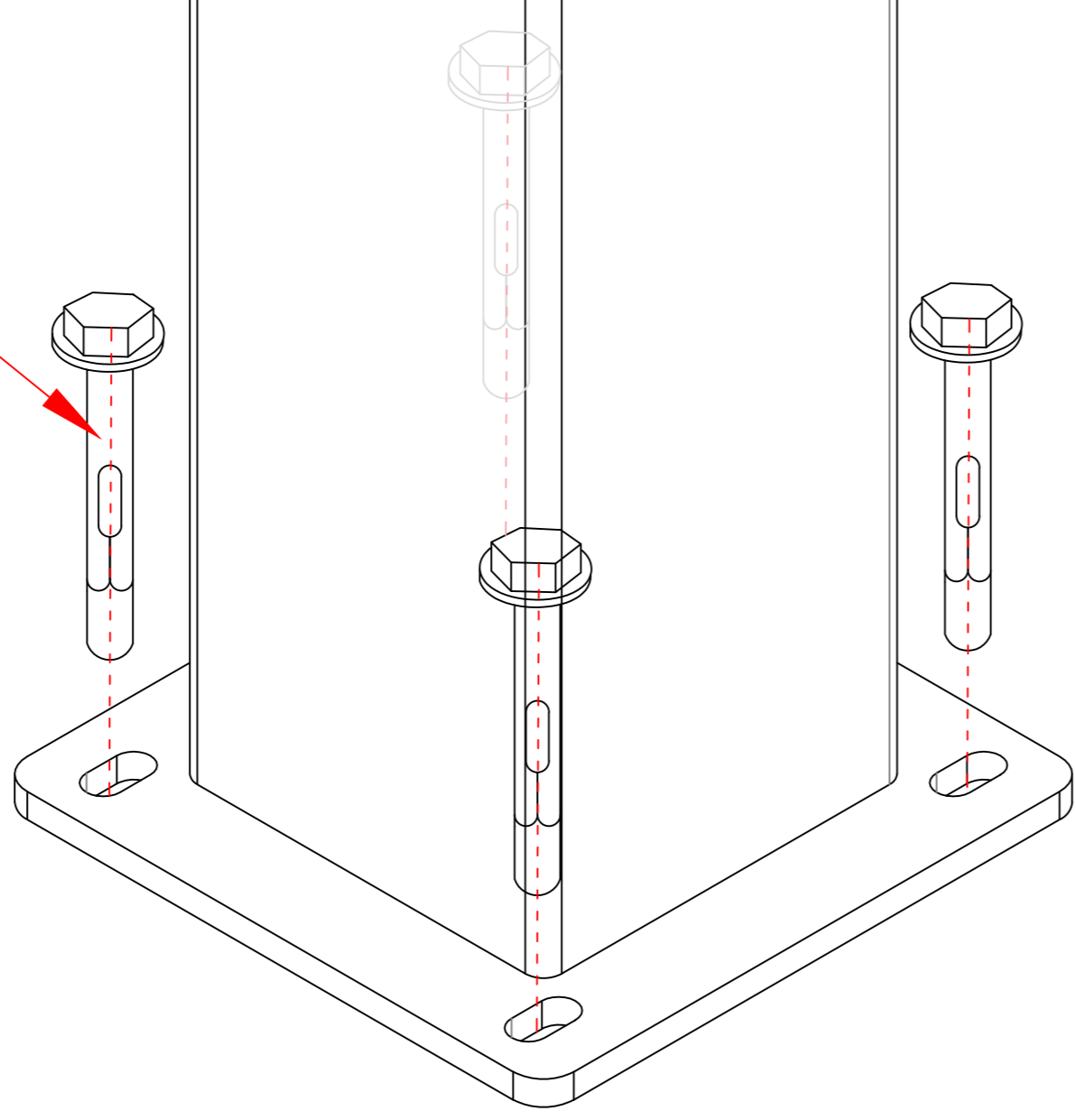
1B-63		2
1B-46		4
1B-45		4
1B-03		1
1B-03-2		1



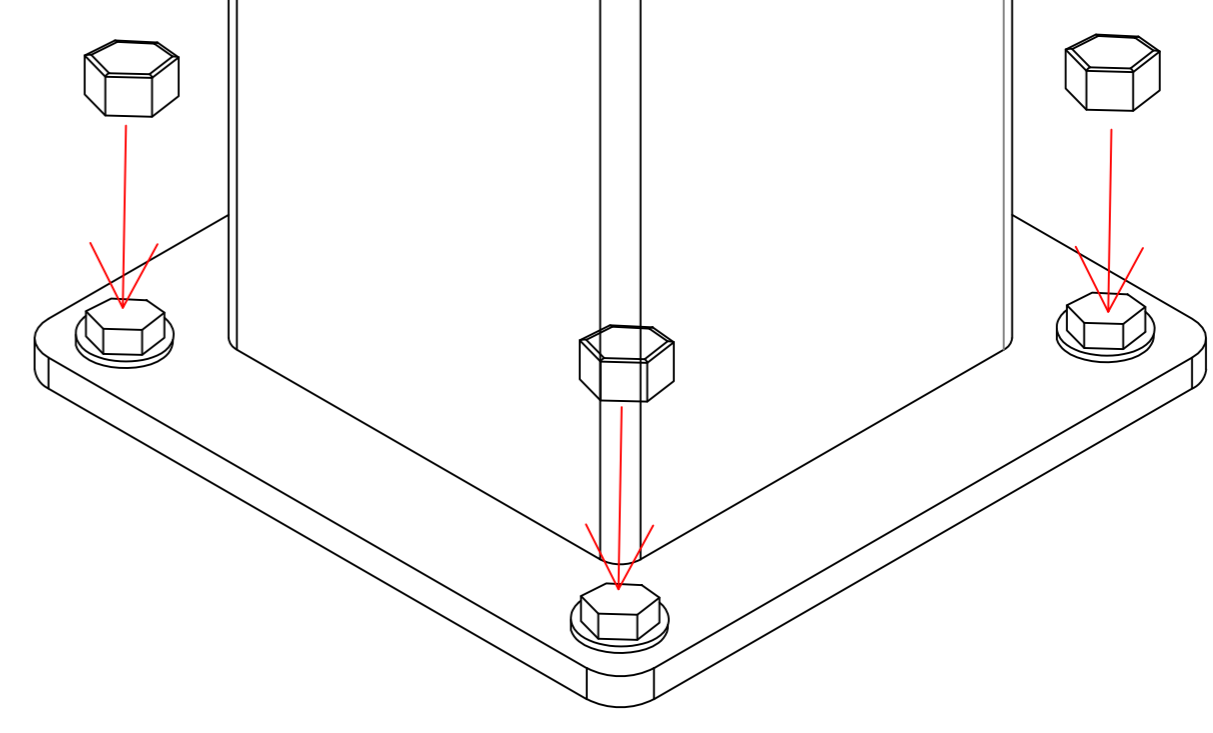


a

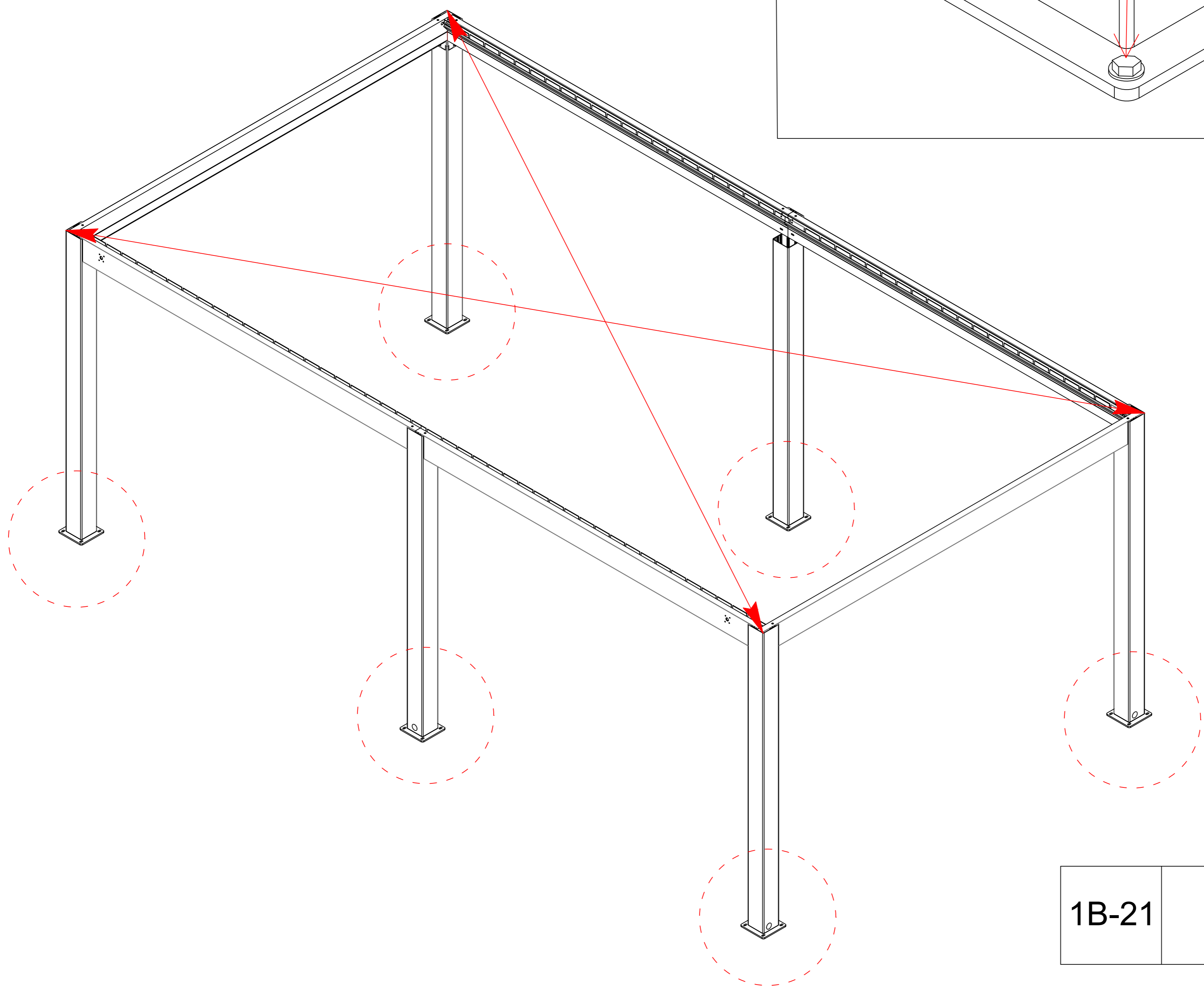
1B-21

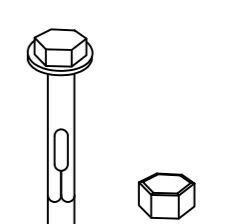


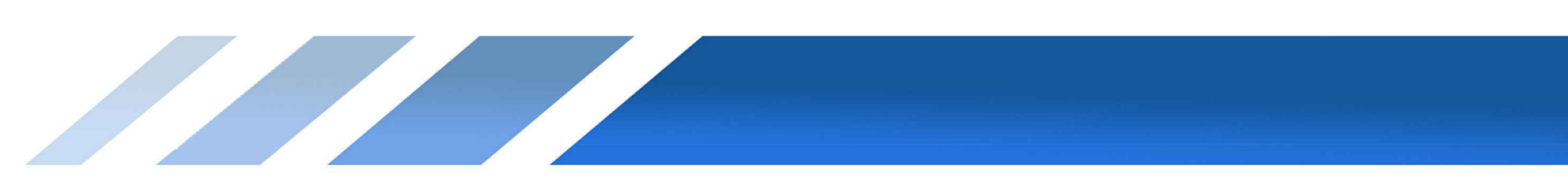
b

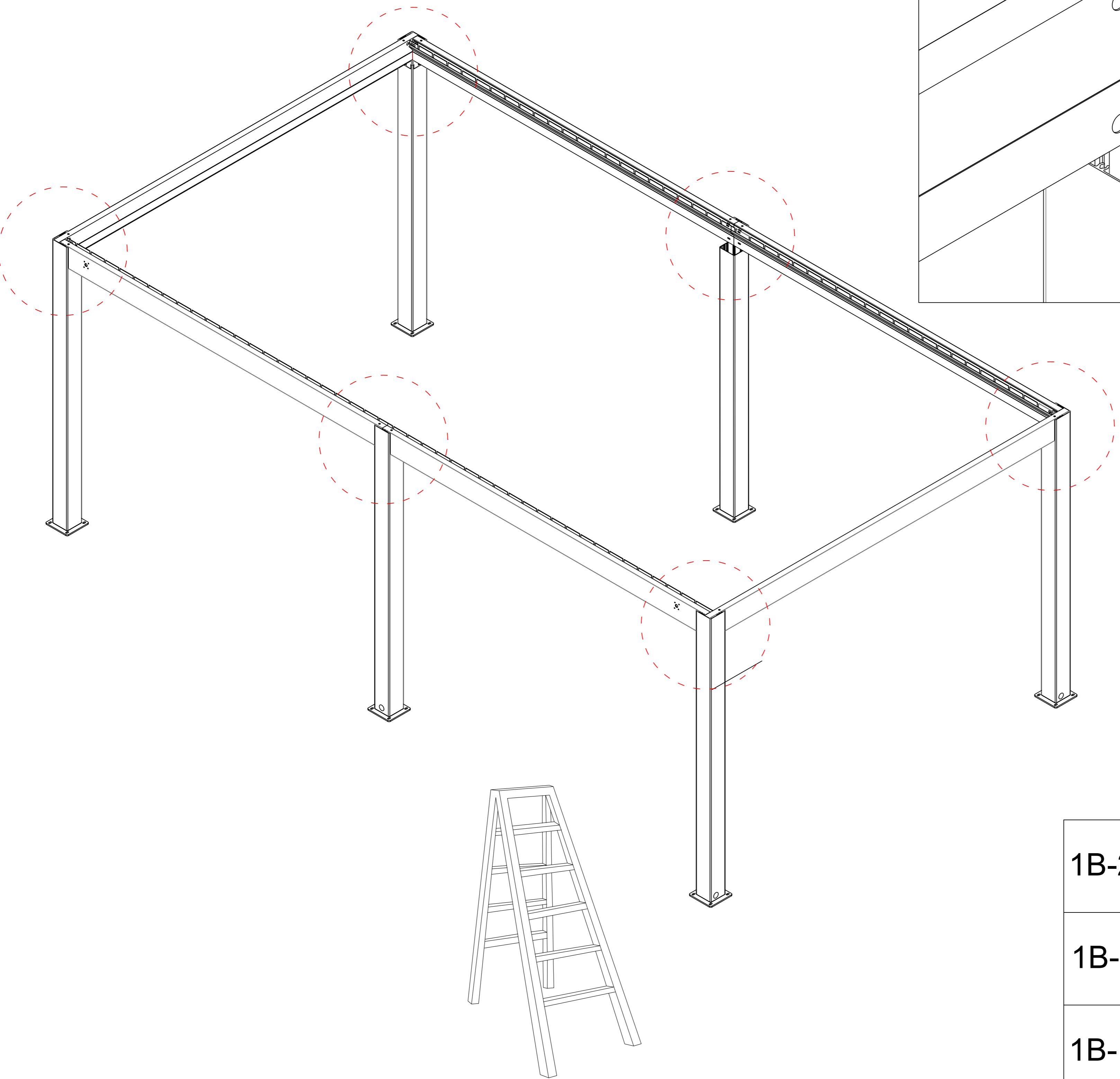
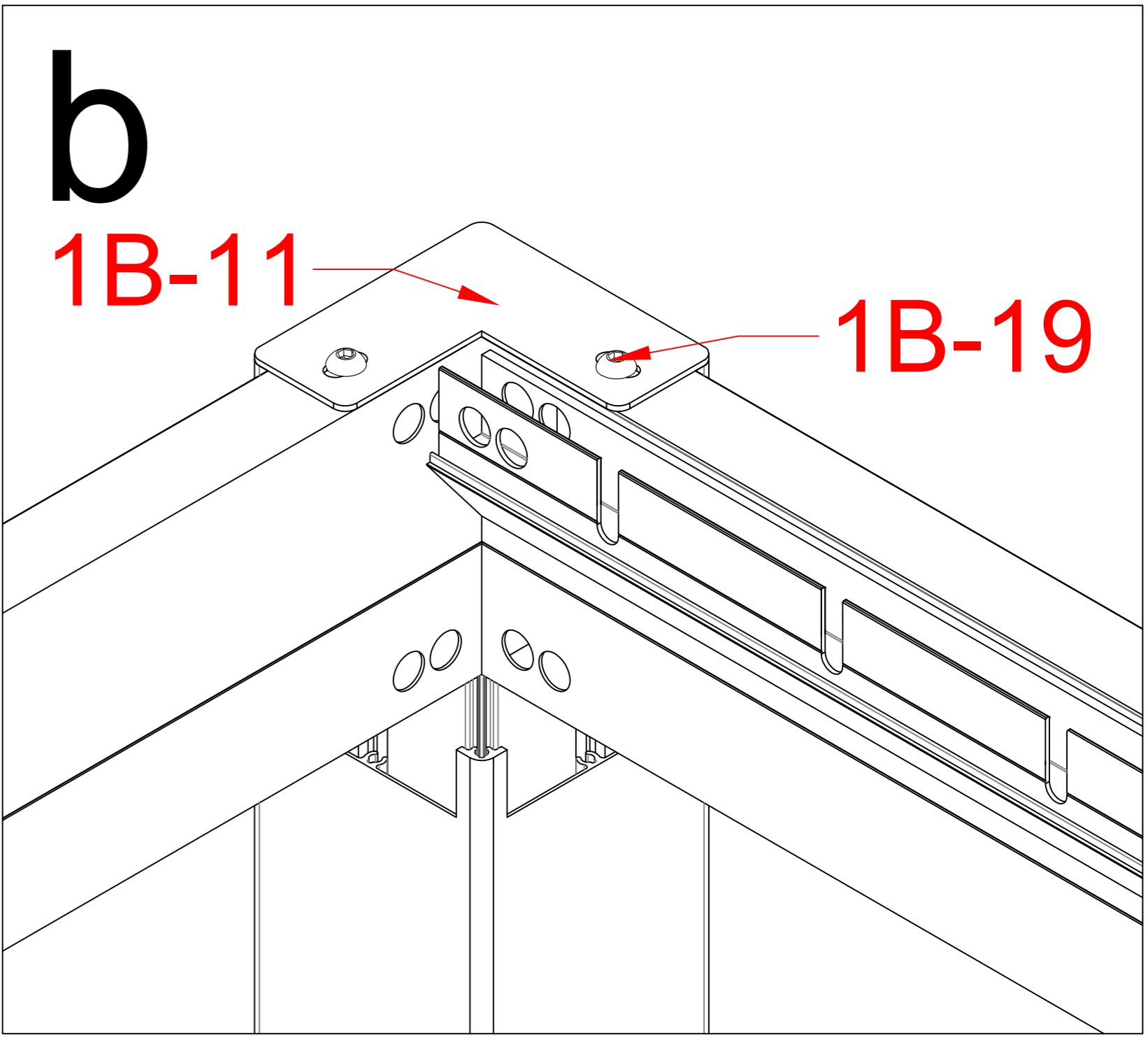
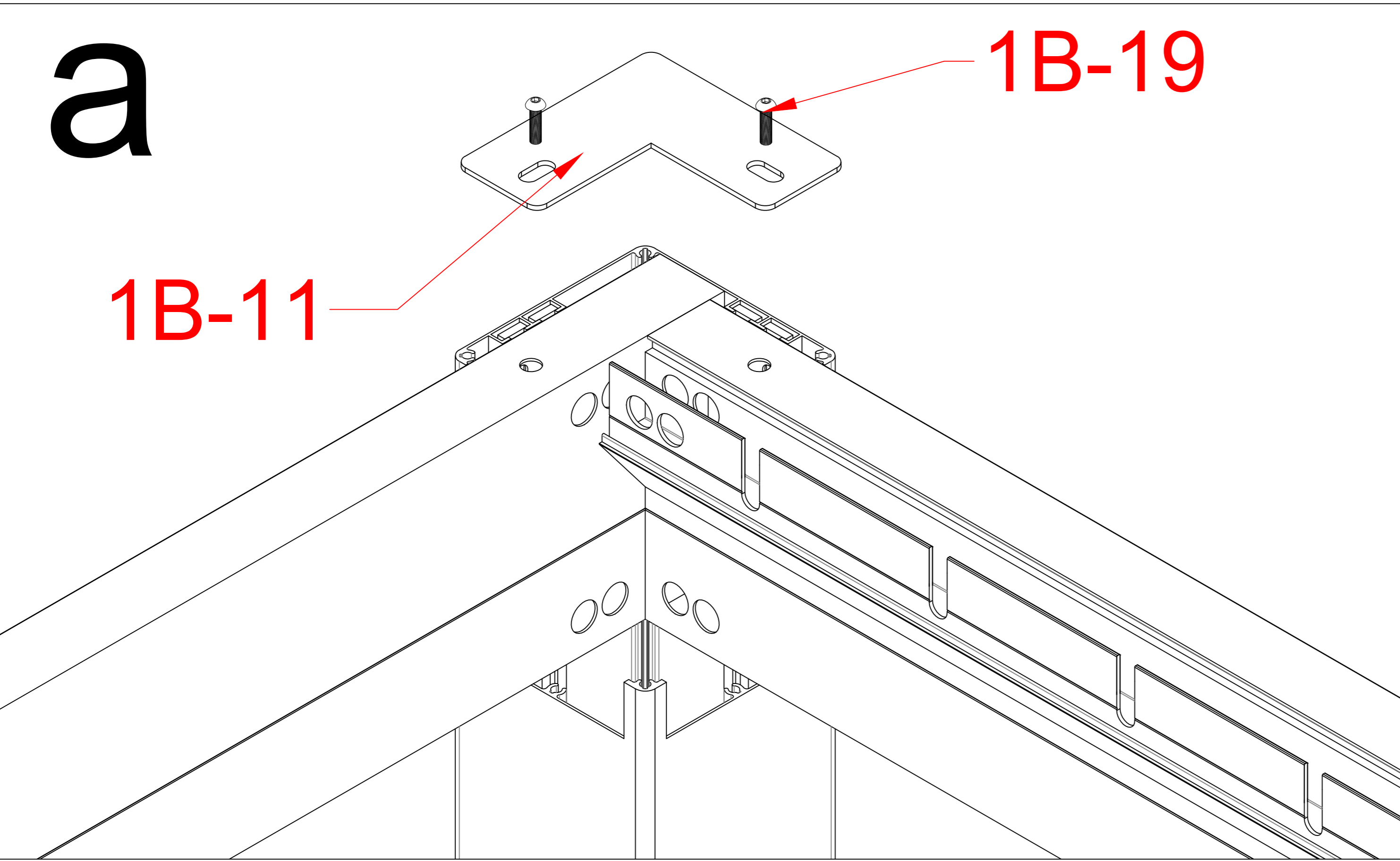


Pls measure the diagonal size and make sure the diagonal size keeps same before screw 1B-21 mounted. If not, pls adjust it to same size.



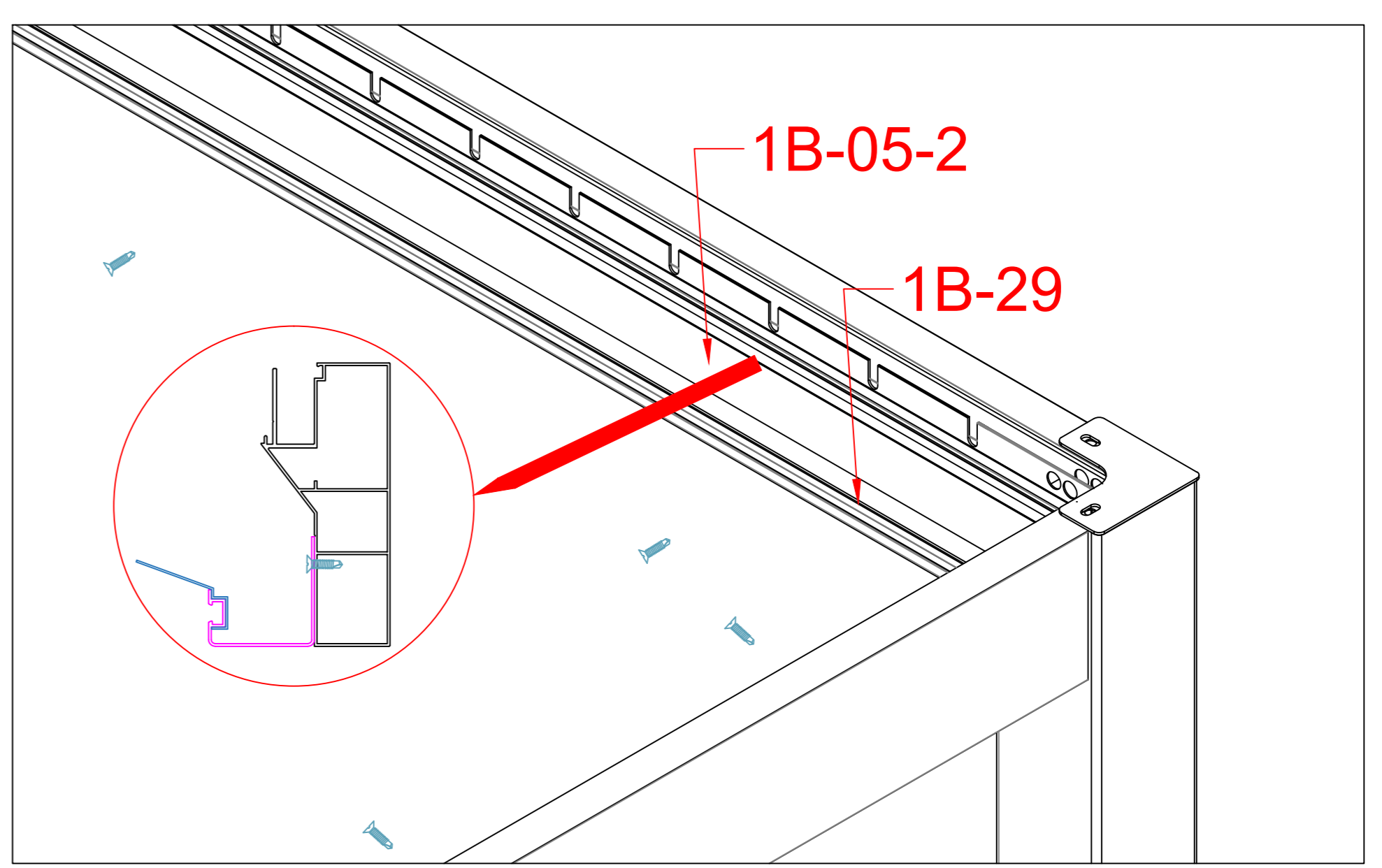
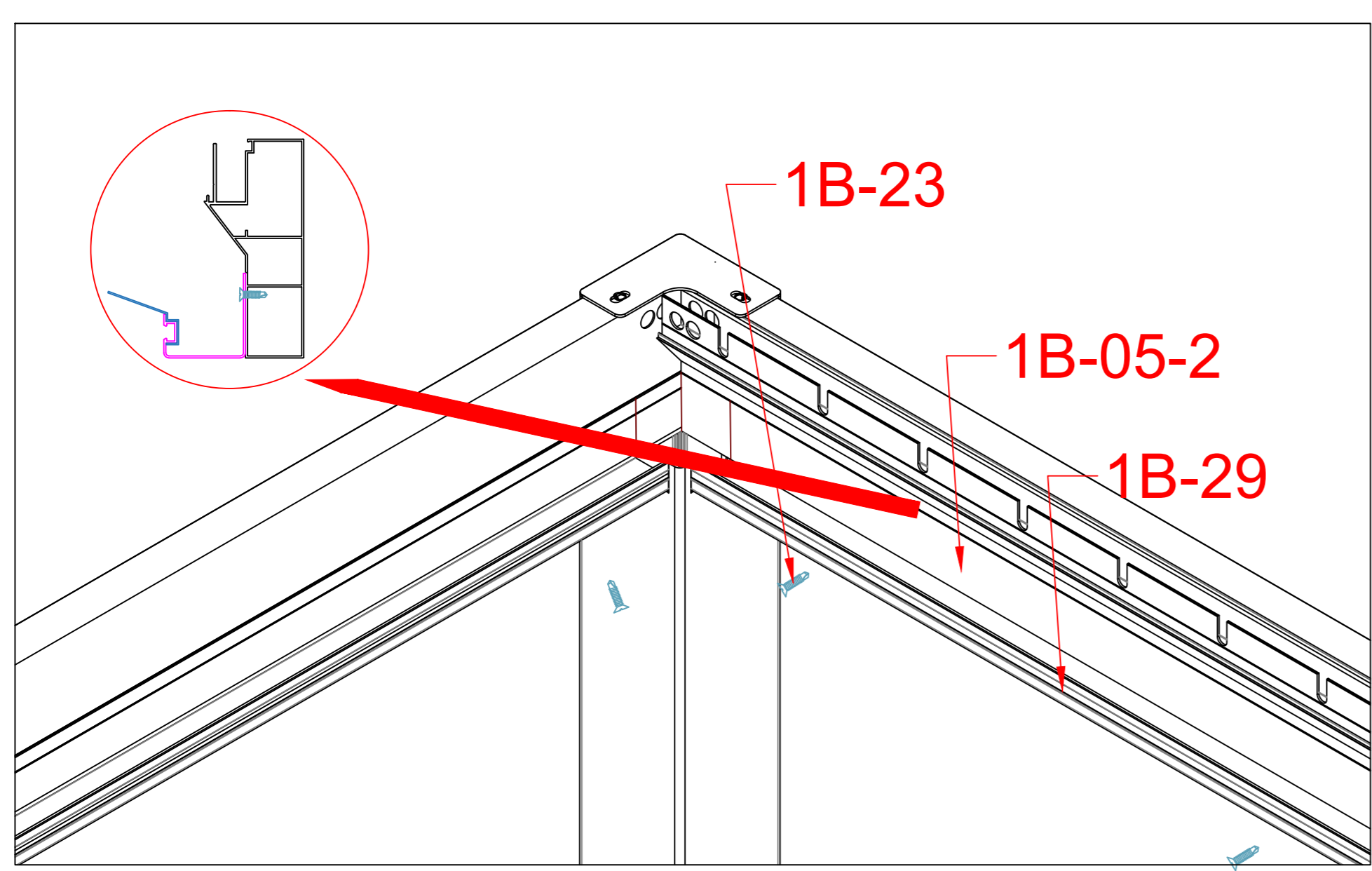
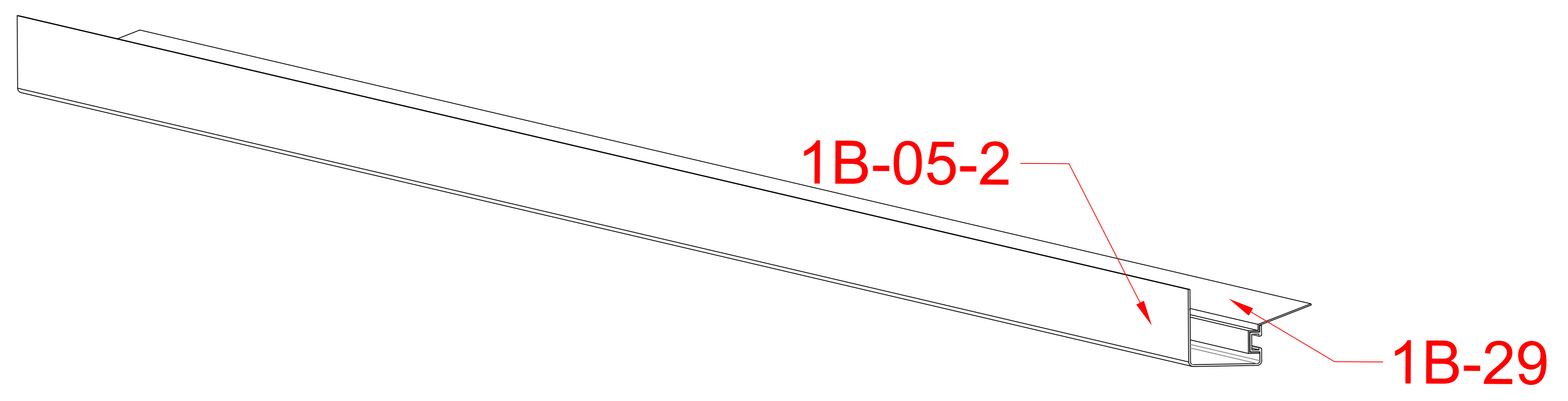
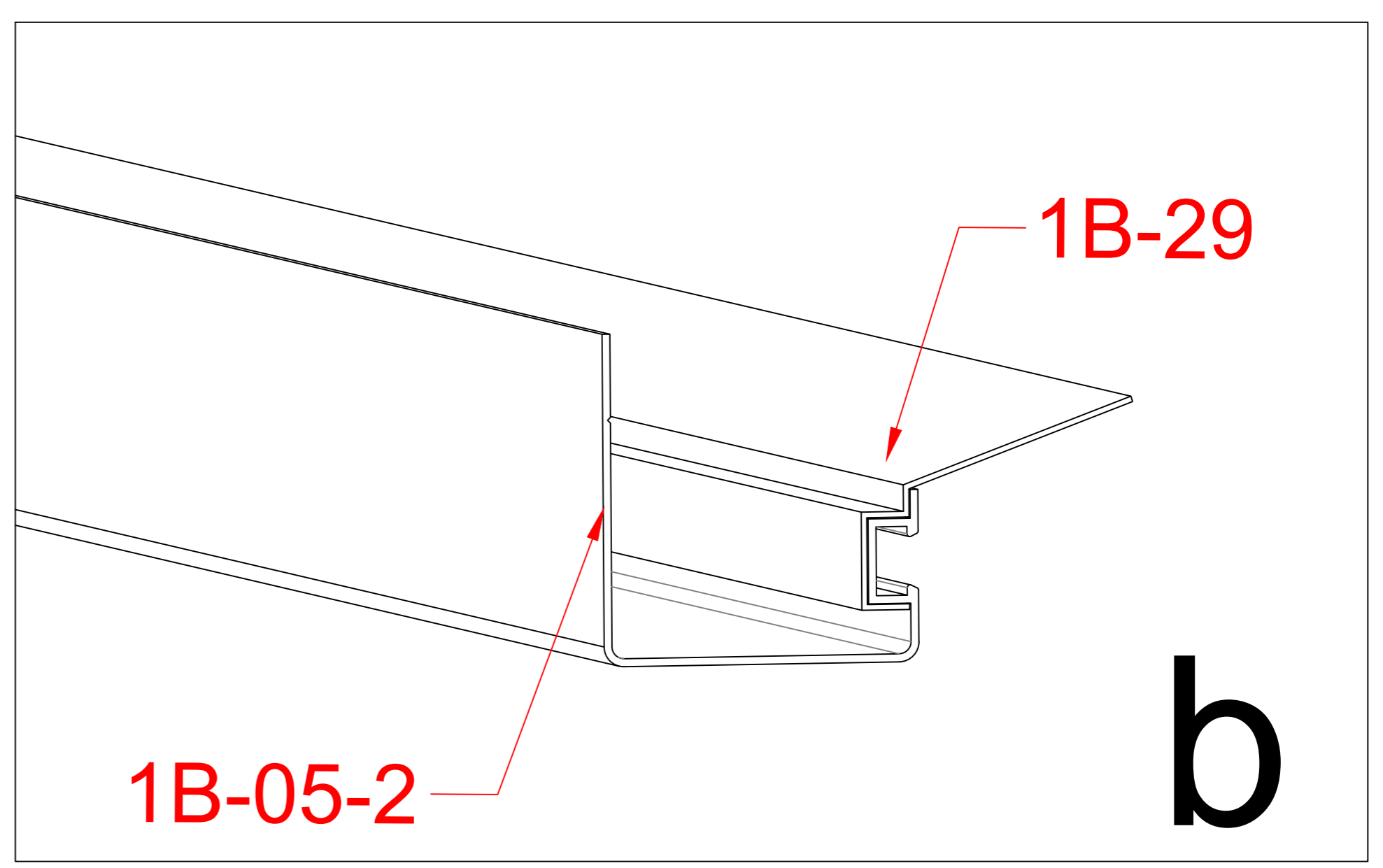
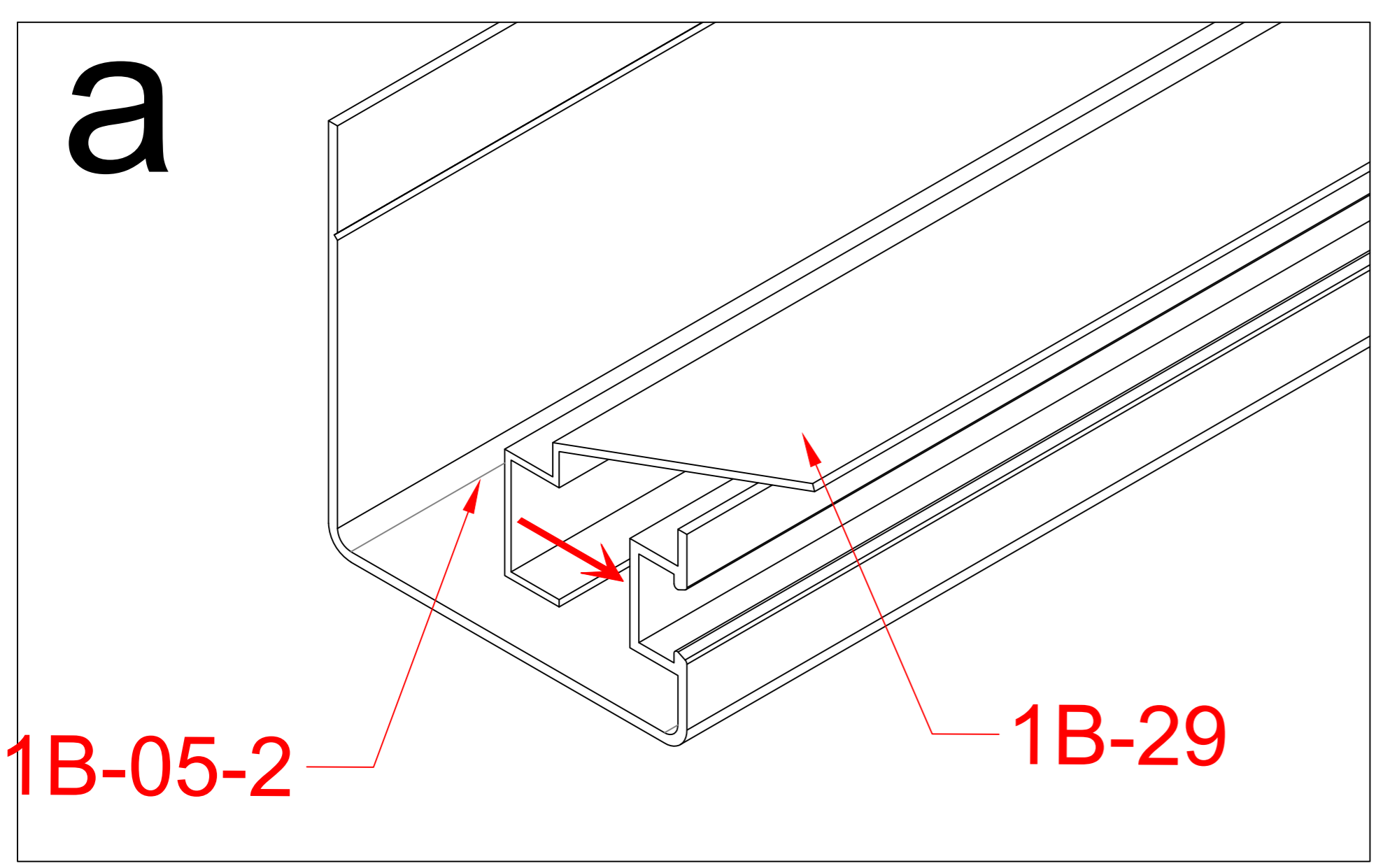
1B-21		24
-------	---	----

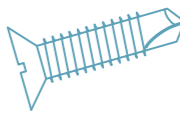




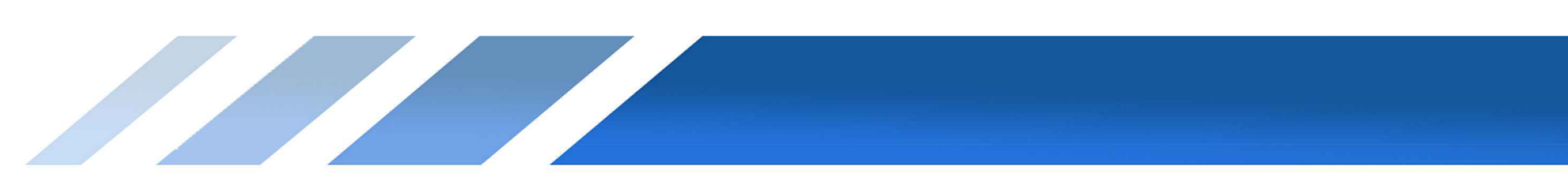


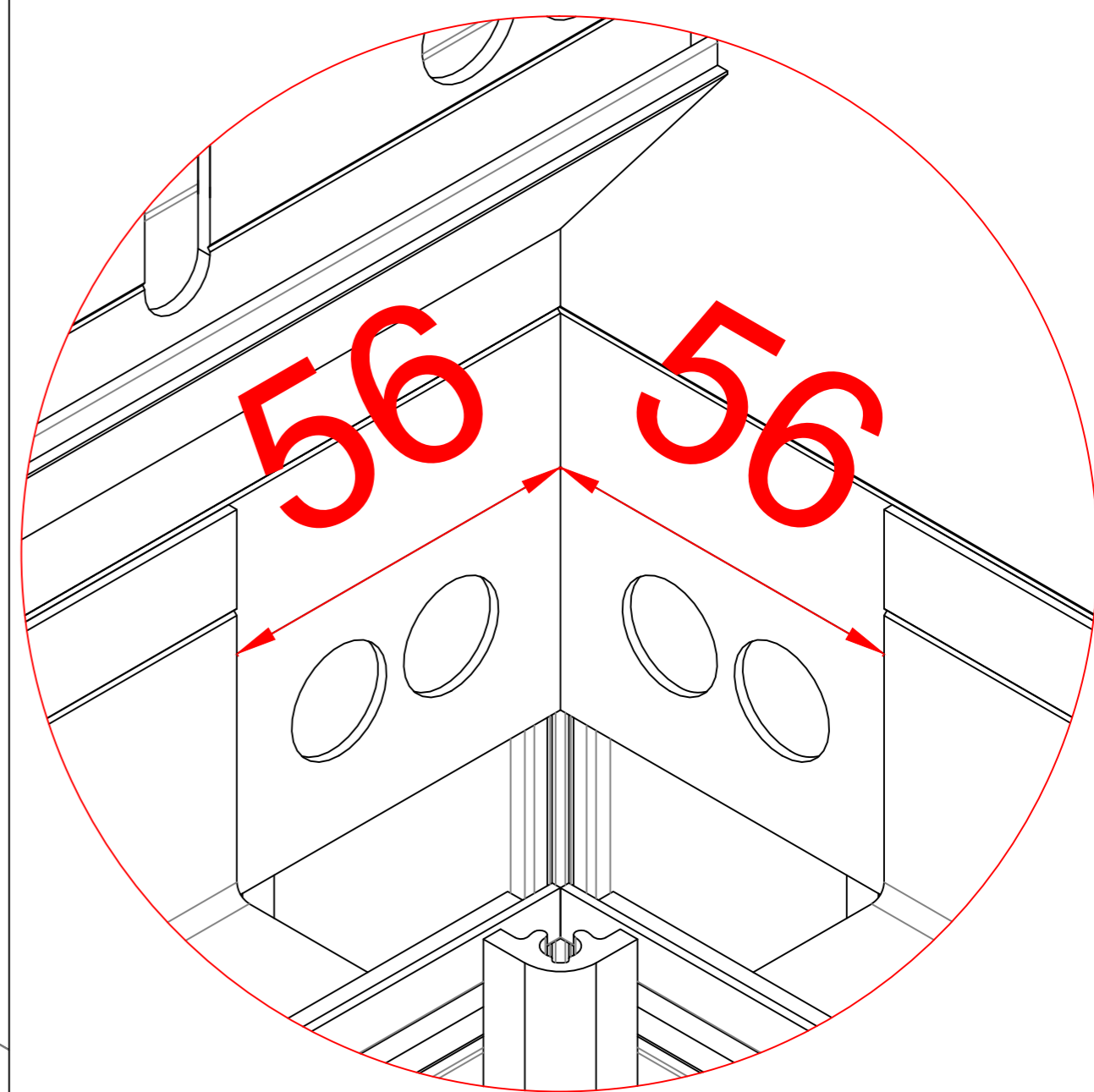
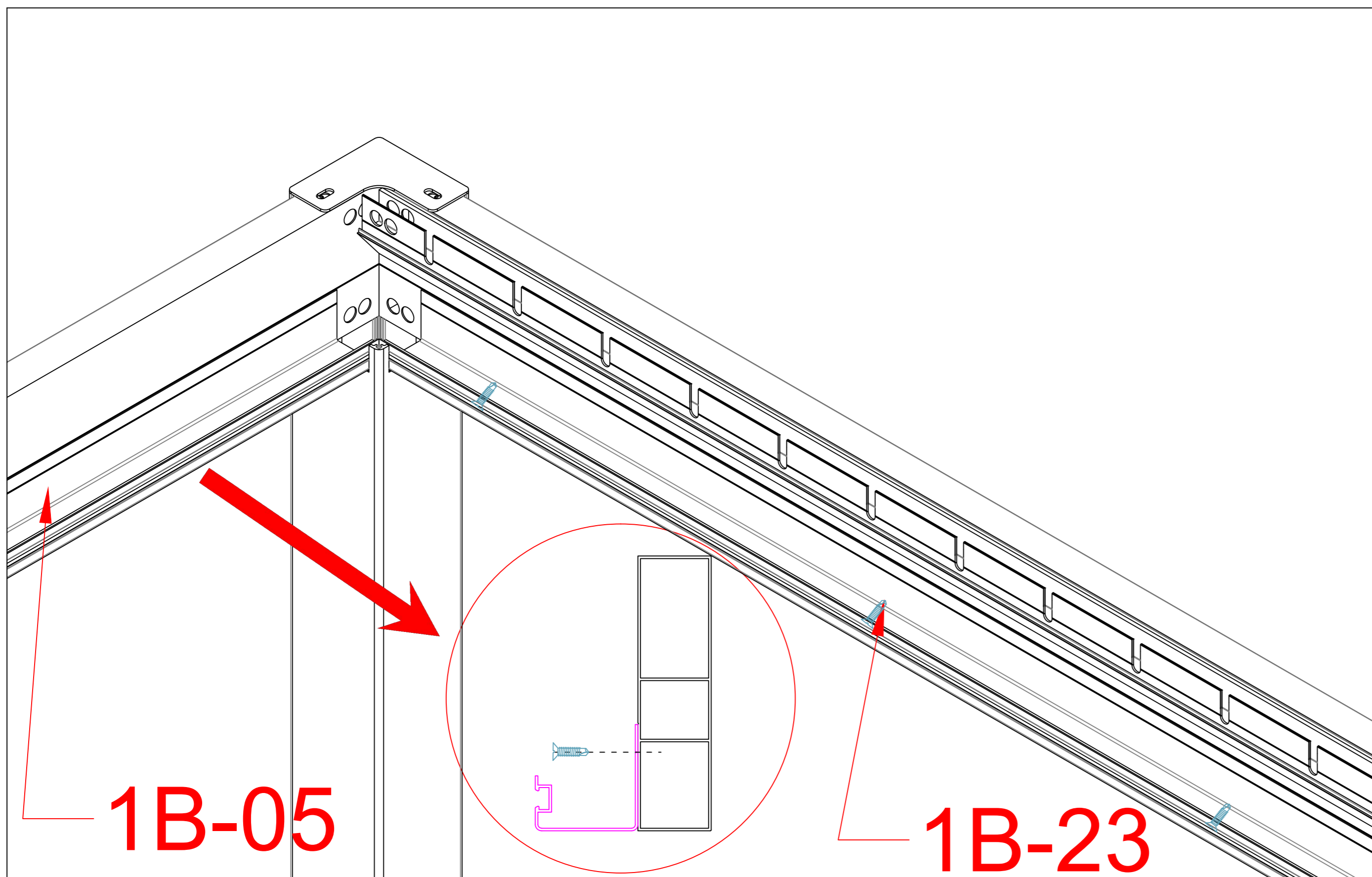
1B-26		2
1B-11		4
1B-19		12



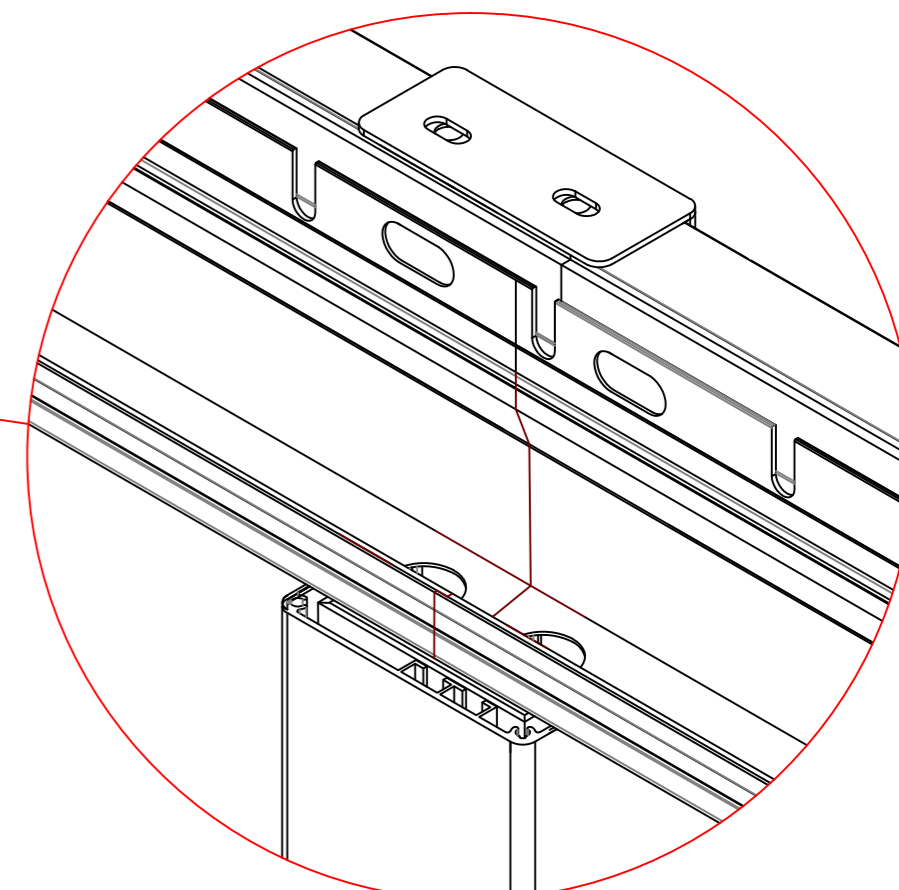
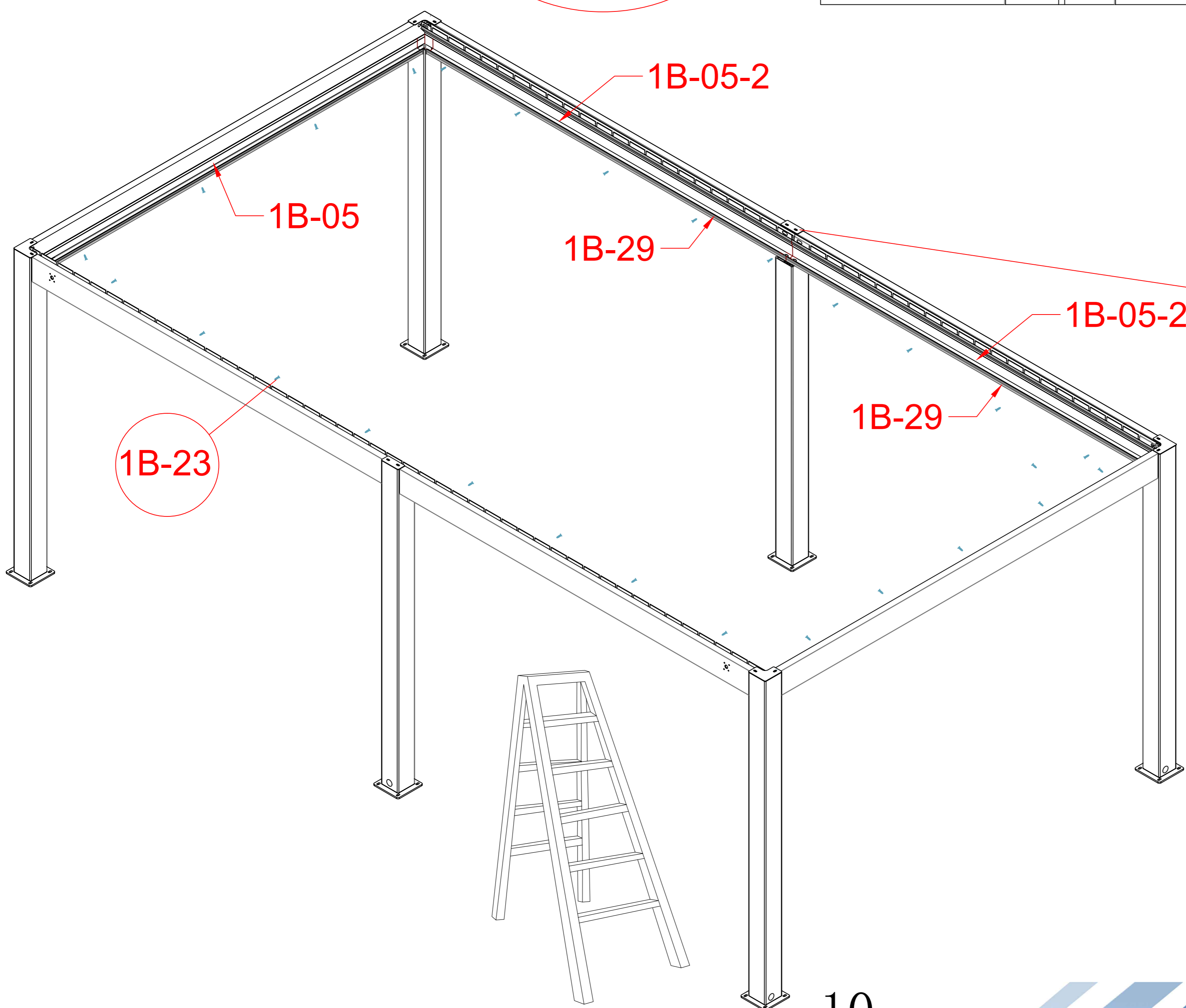
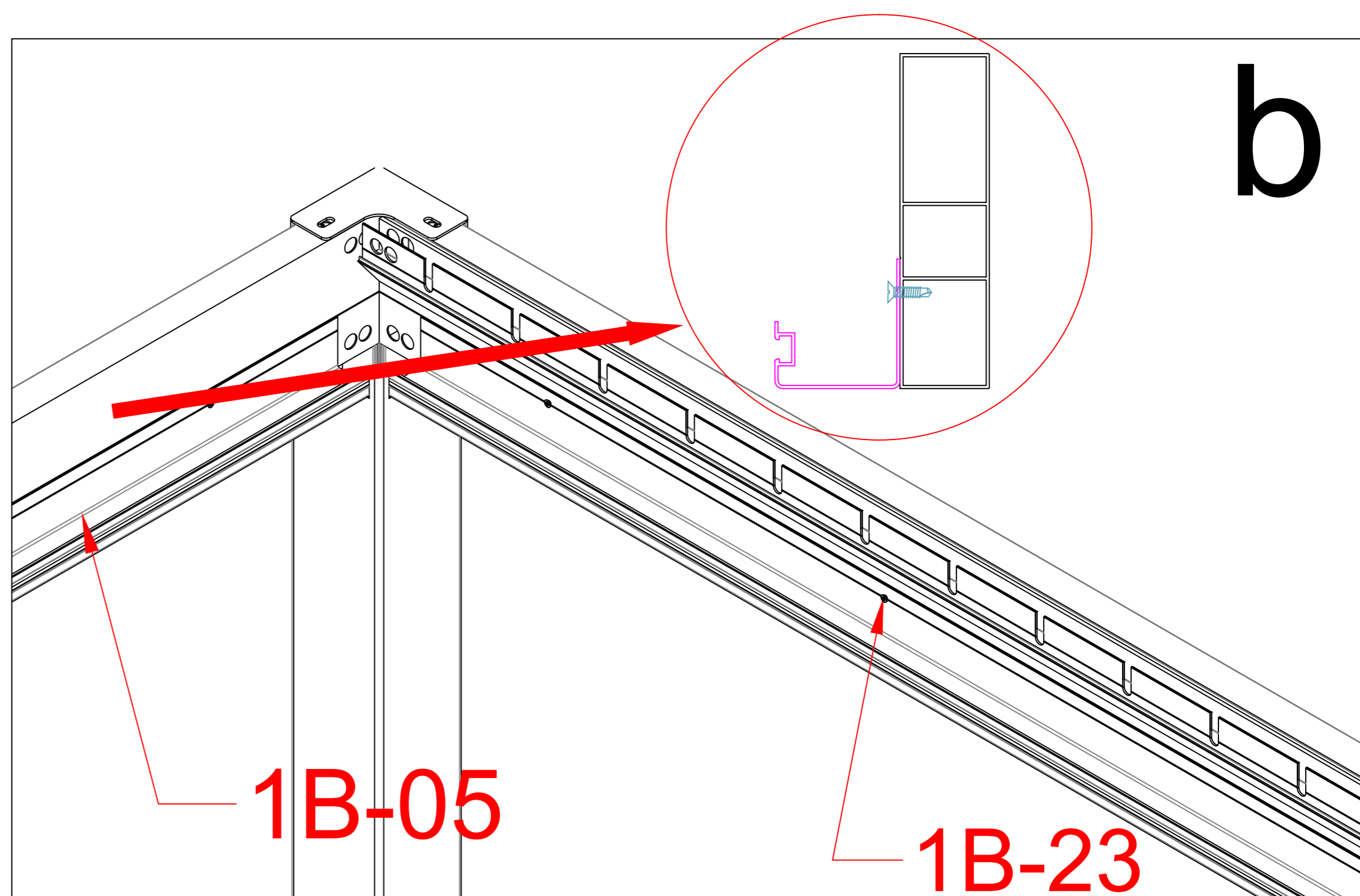
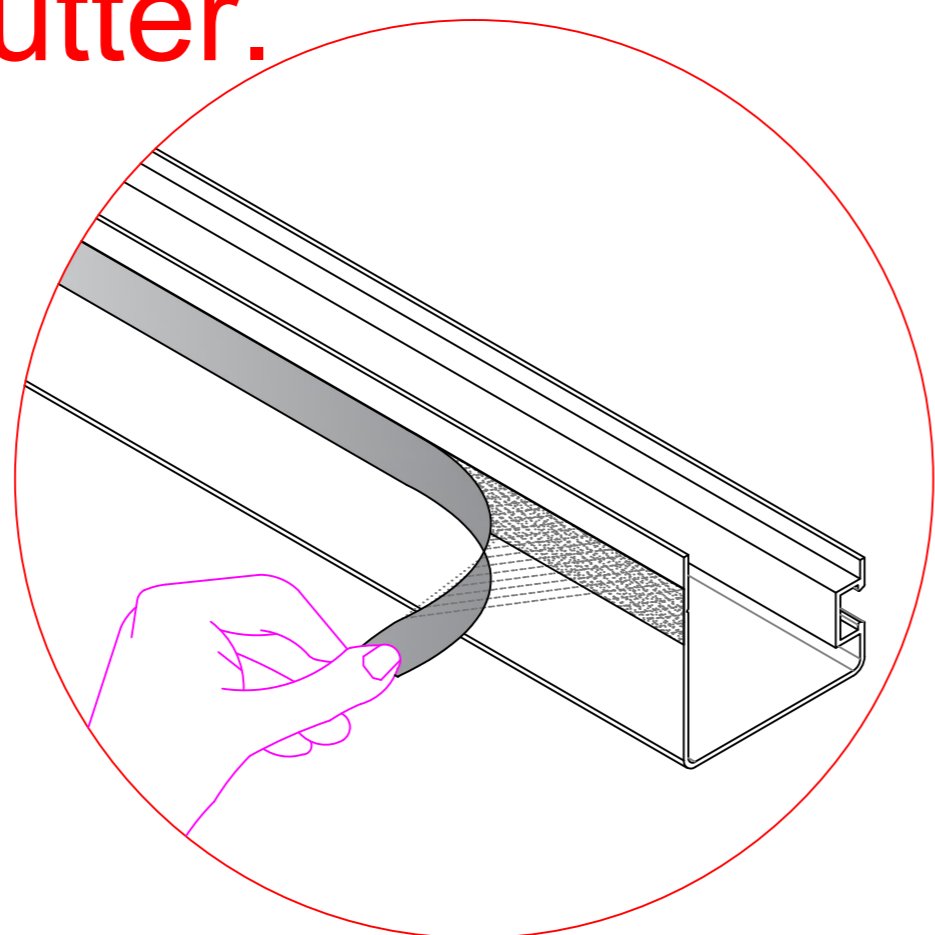


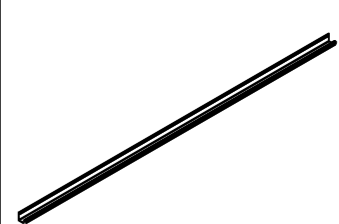
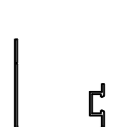
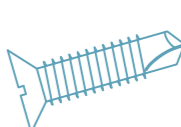
1B-23		16
1B-05-2		4
1B-29		4





Warning:
 Before installation, tear off the protective film of the tape on the back side of Gutter.

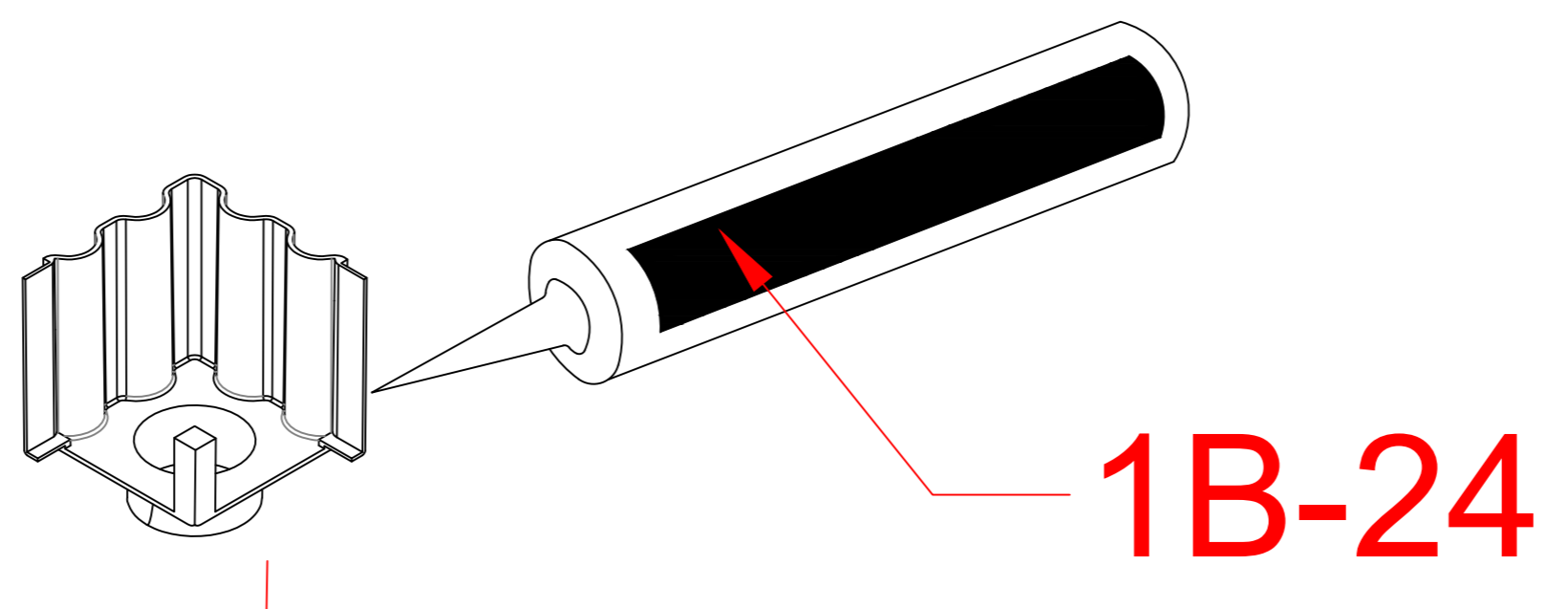


1B-05			2
1B-23			8

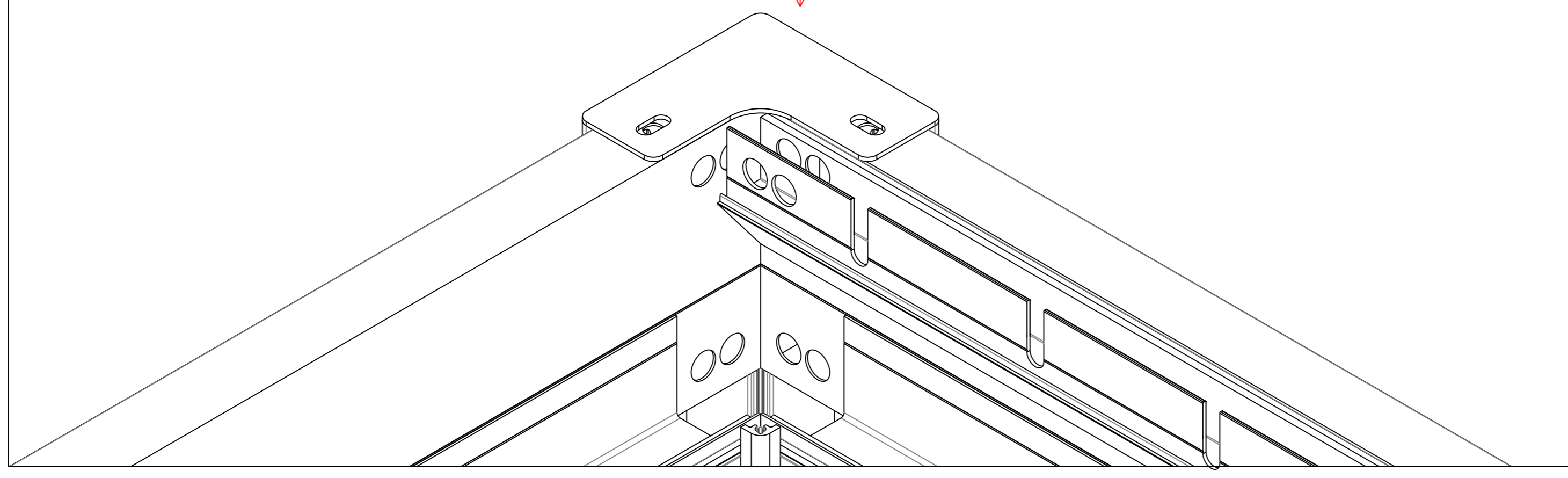




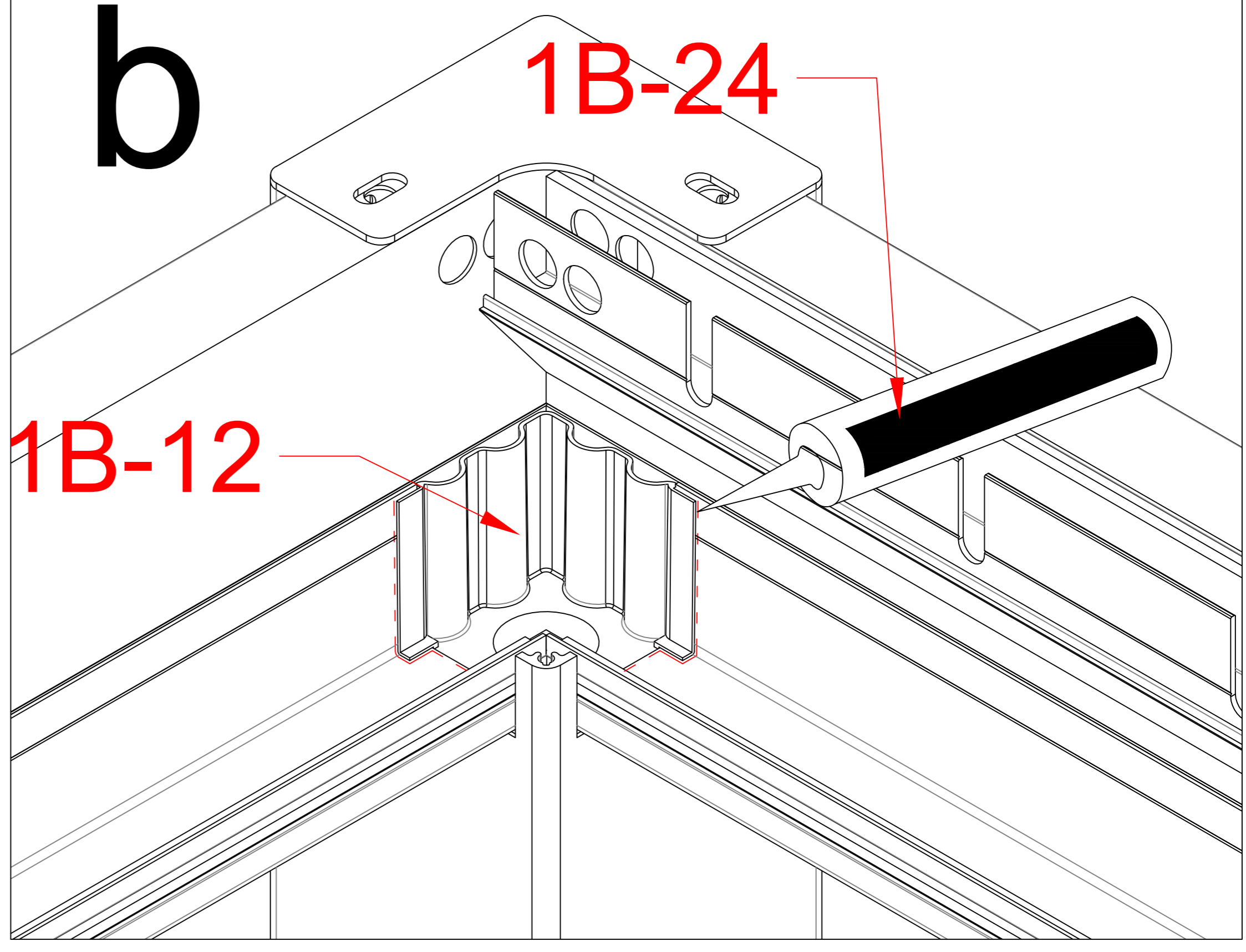
a



1B-24

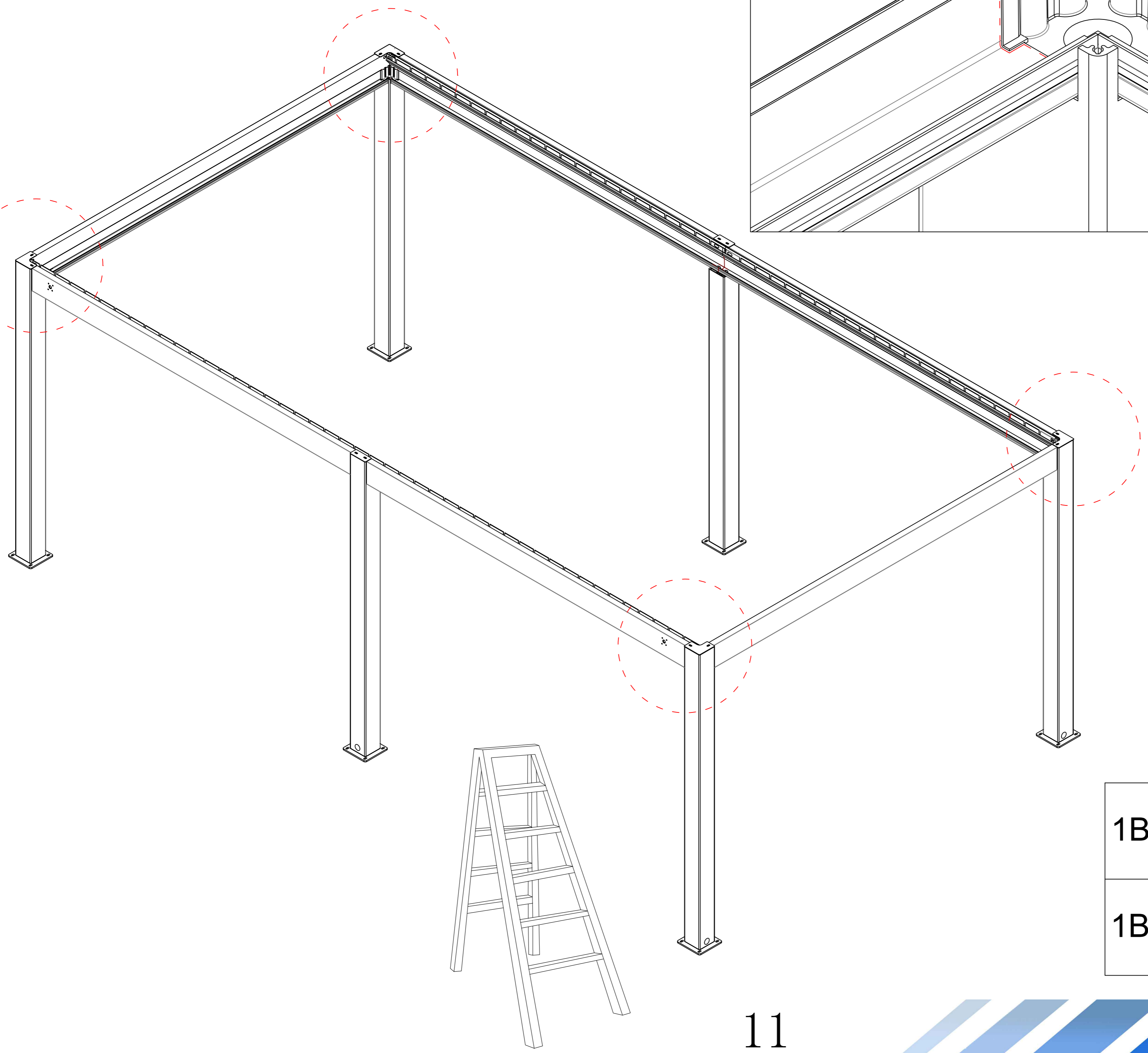


b



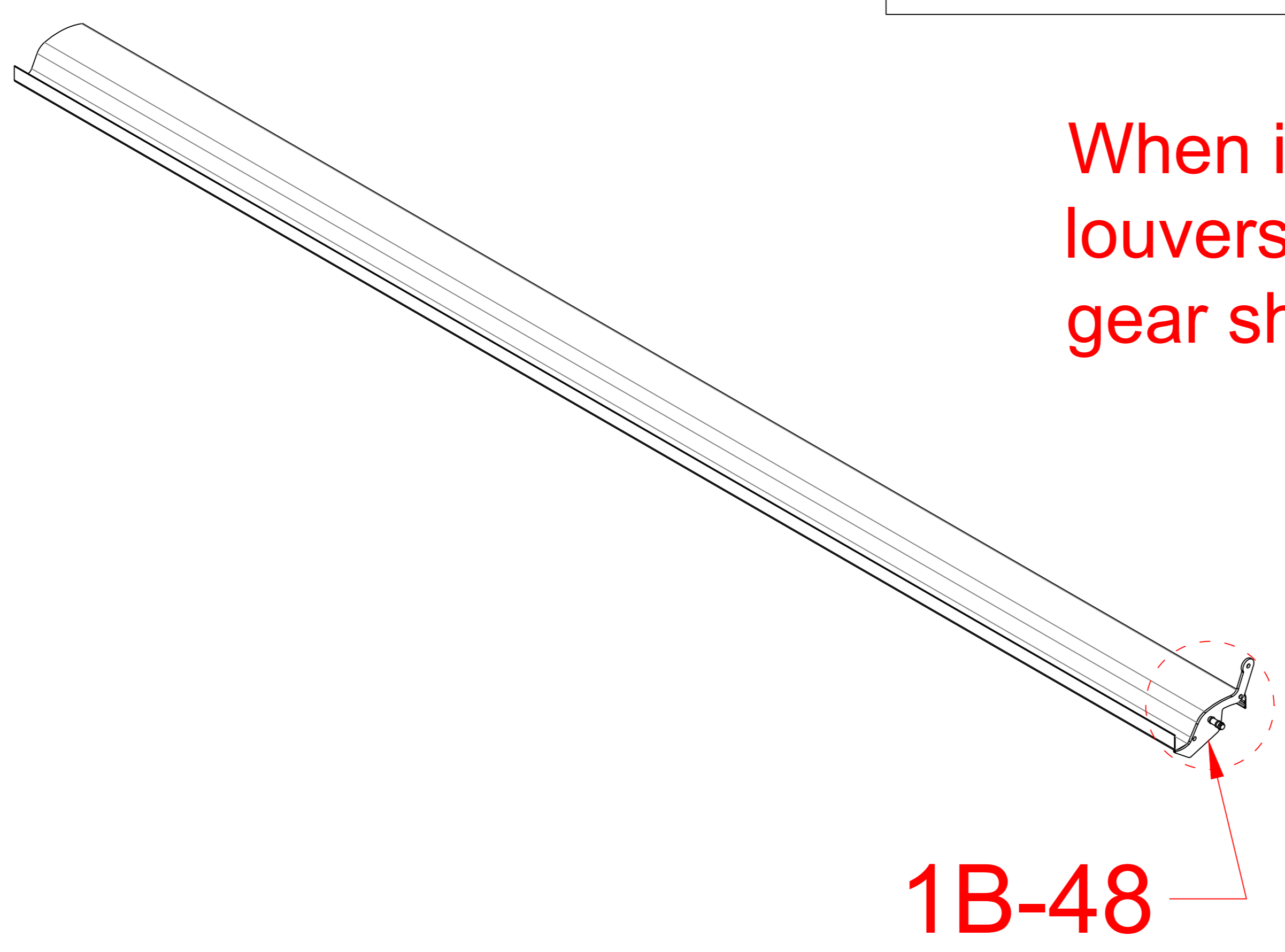
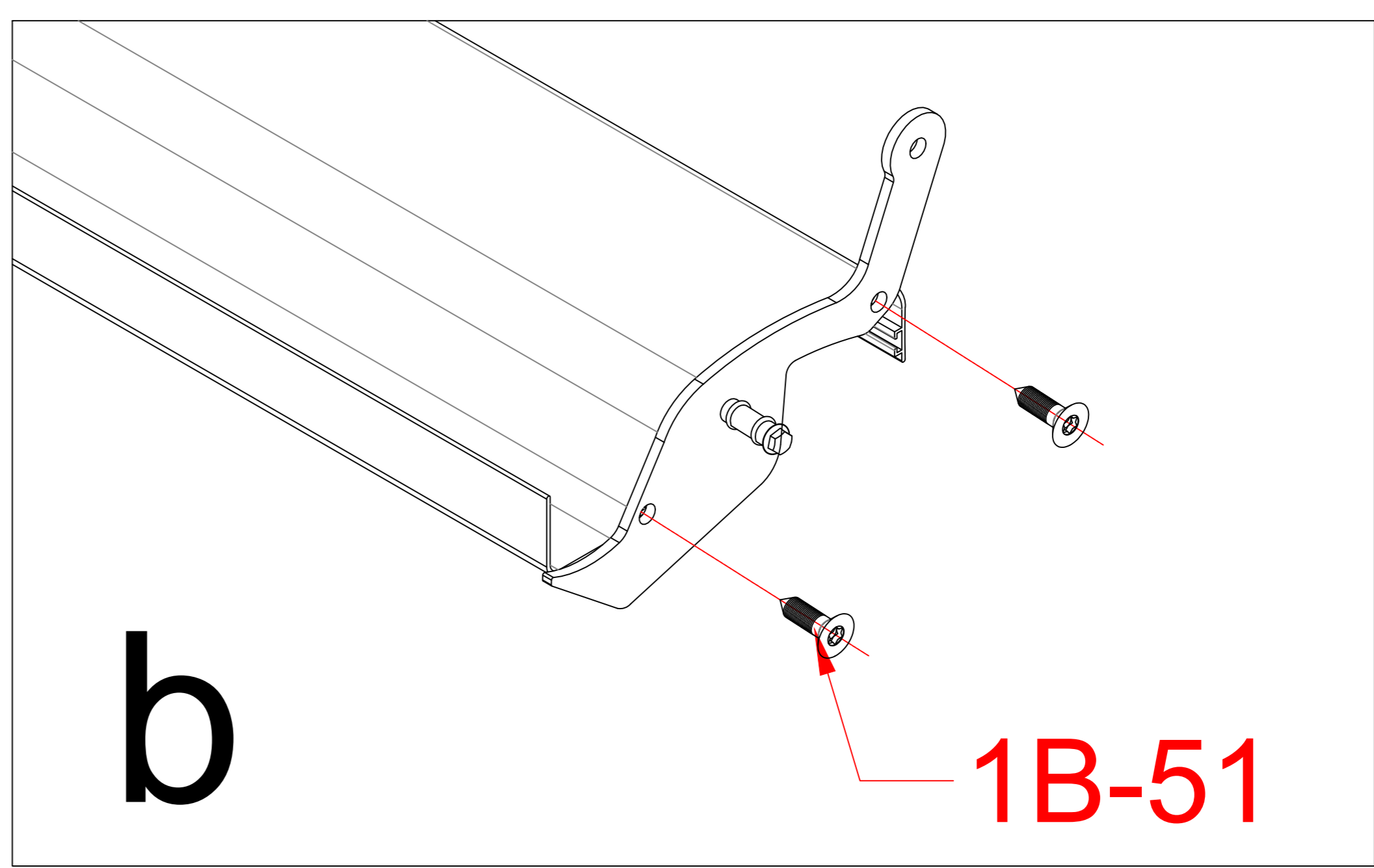
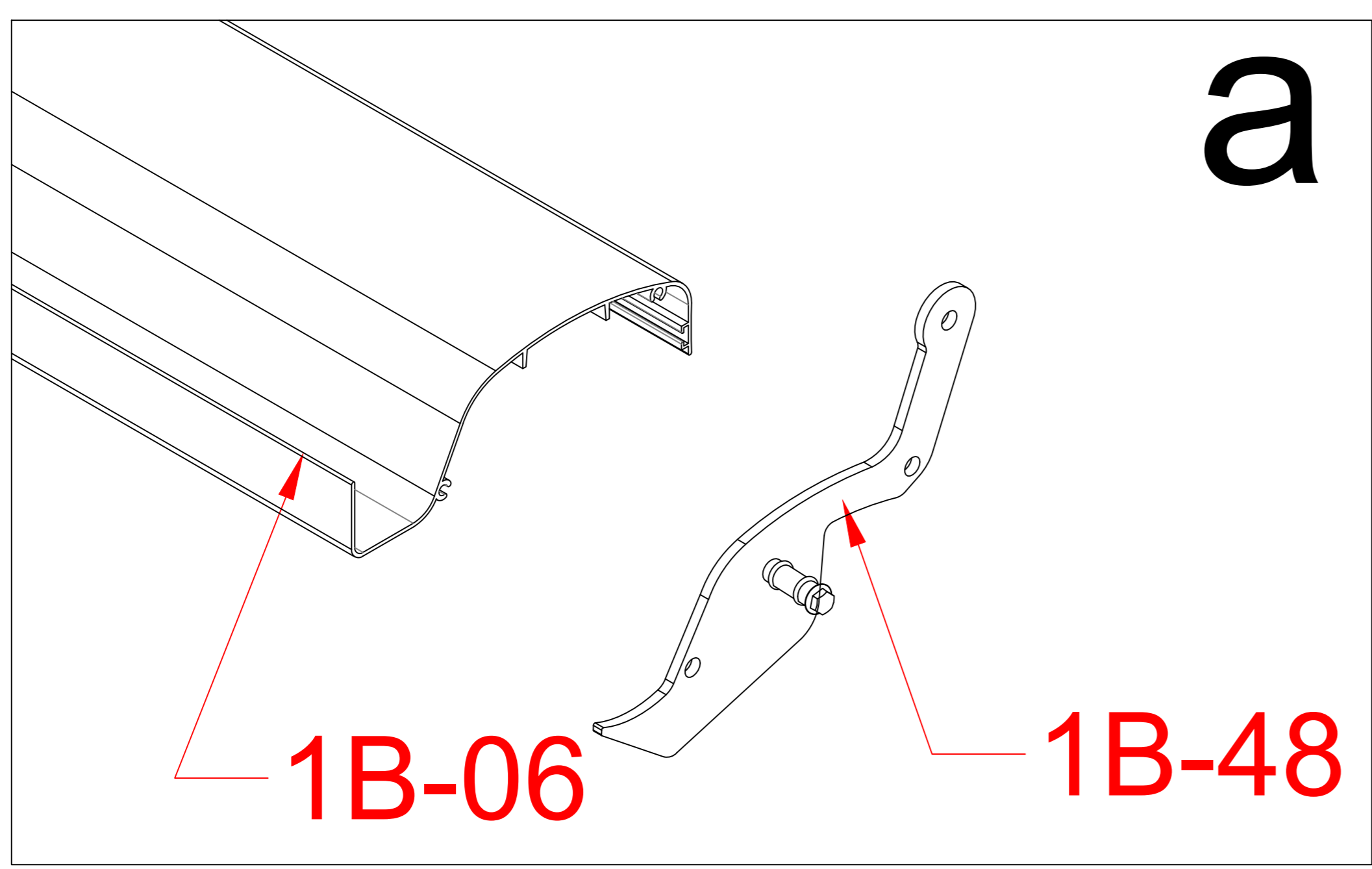
1B-24

1B-12

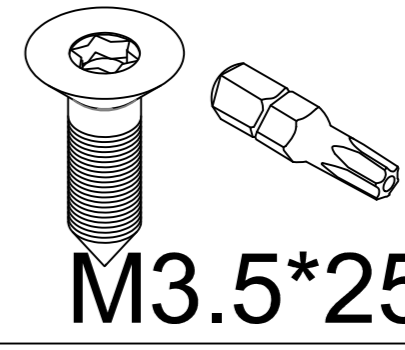
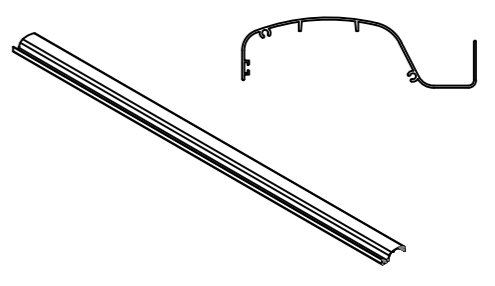
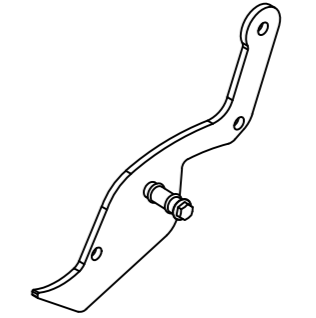


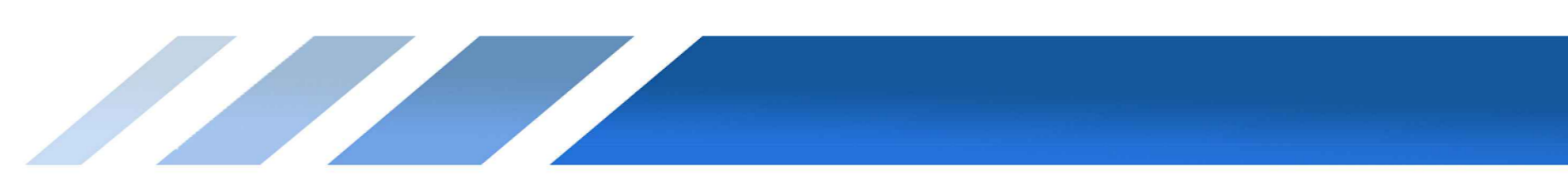
1B-24		1
1B-12		4

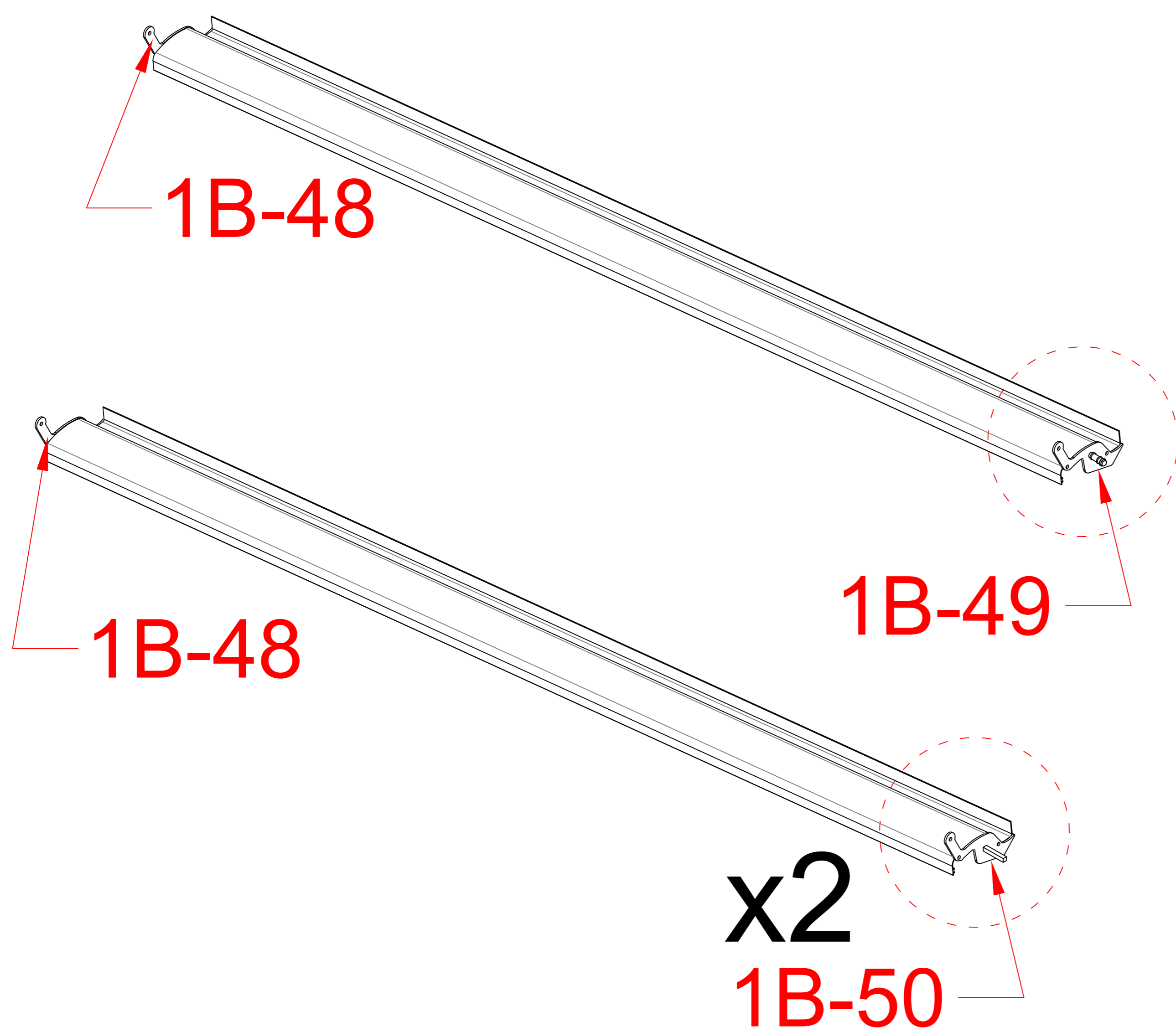
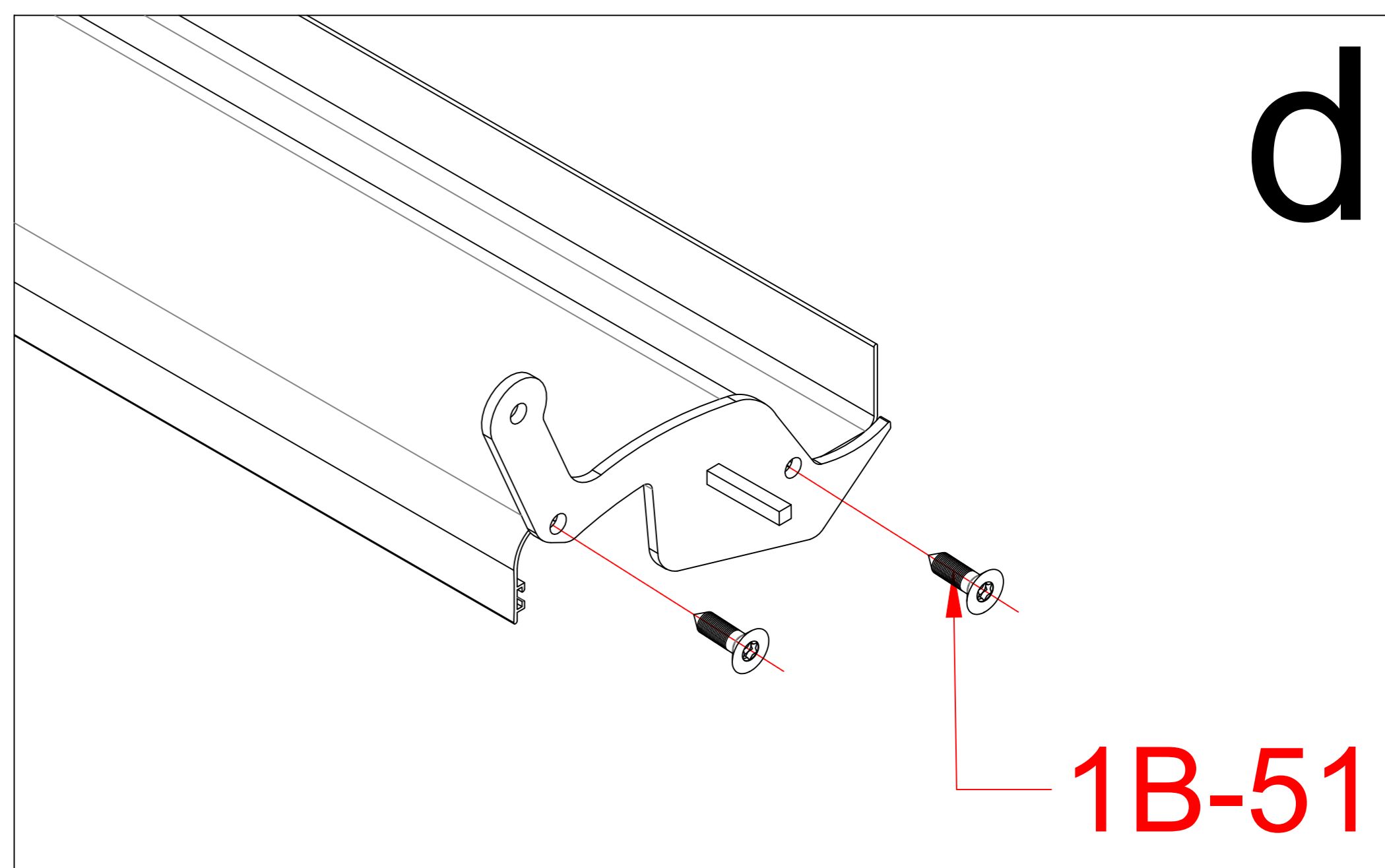
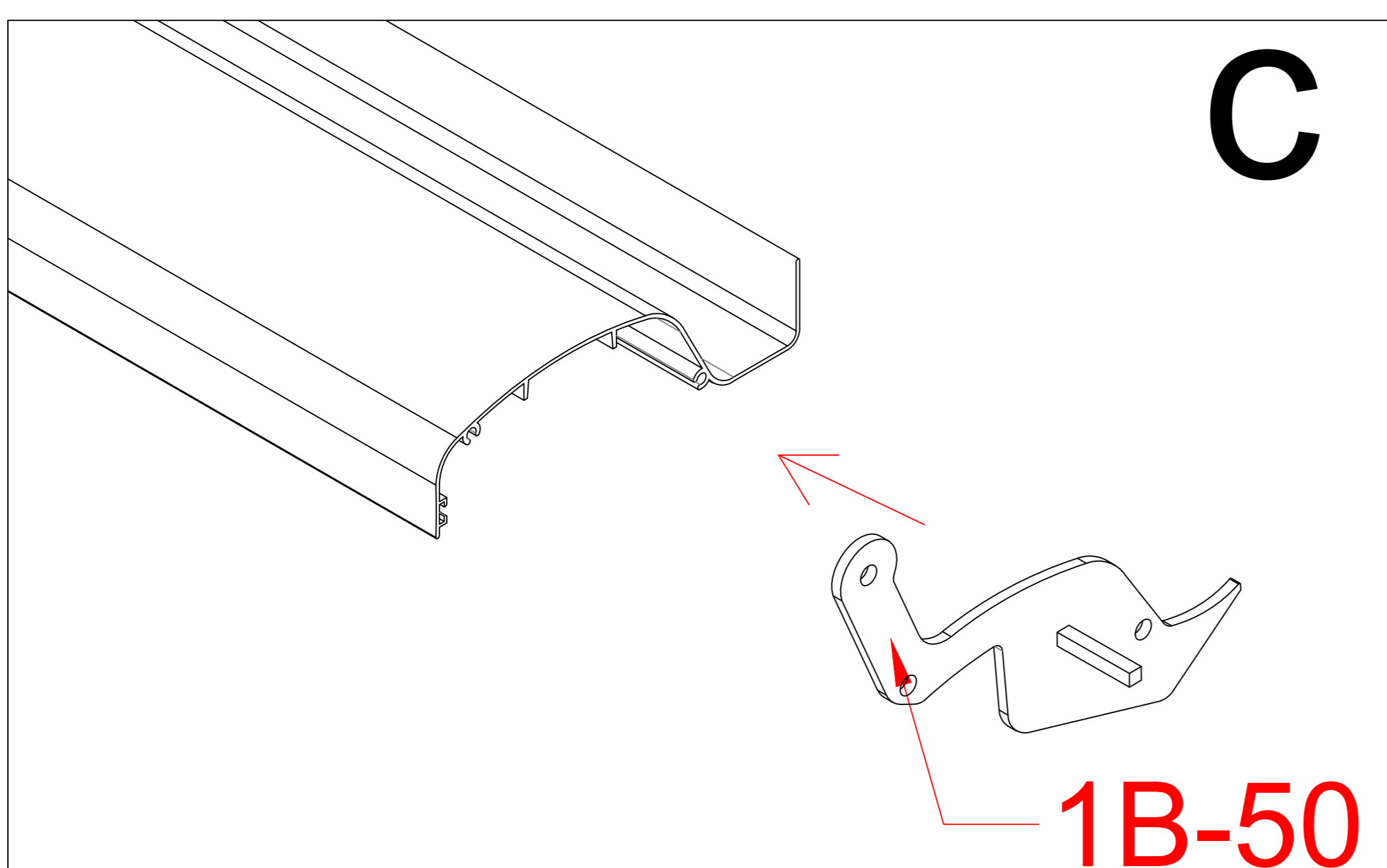
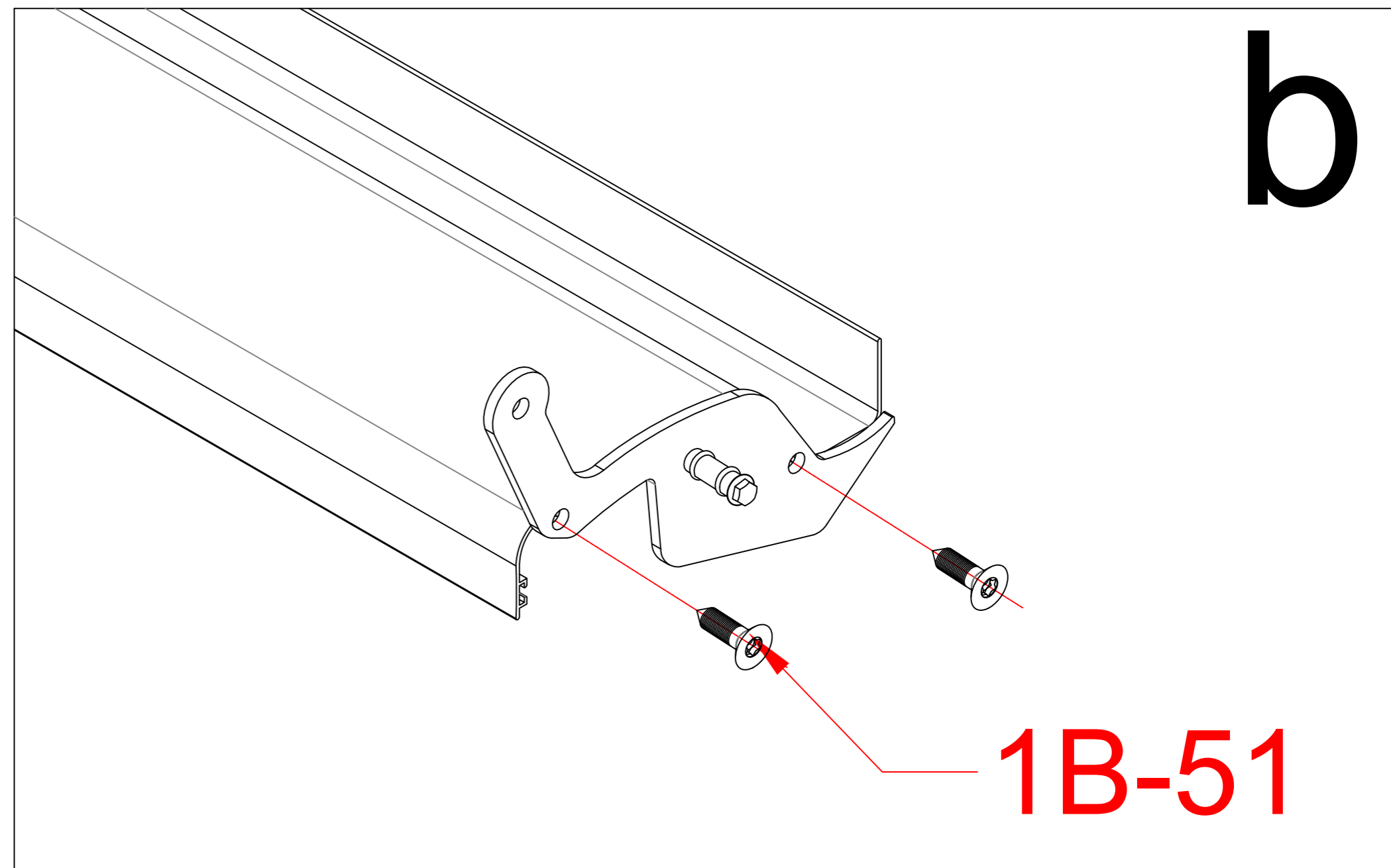
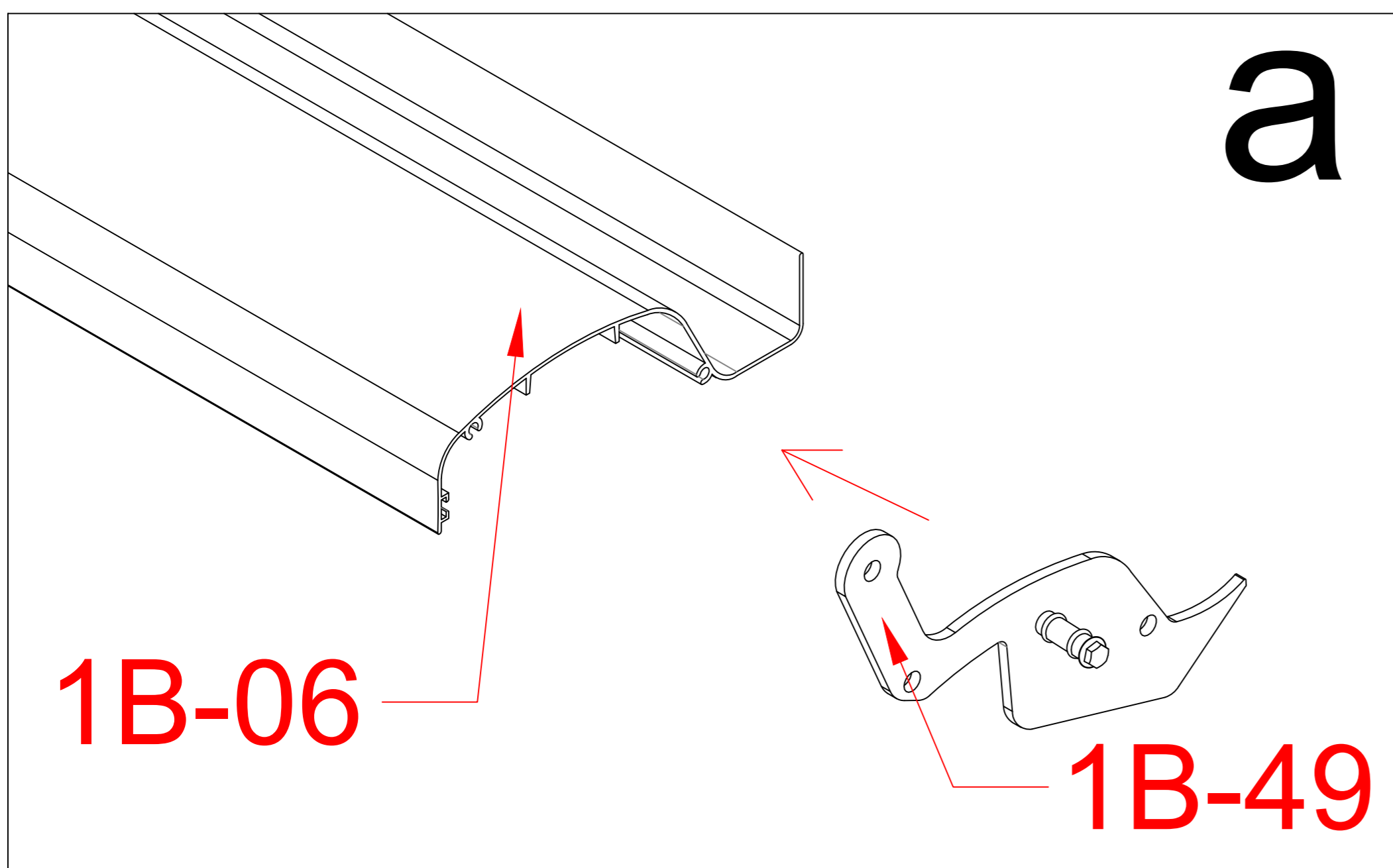




When installing the end cap for louvers, pls don't use the highest gear shift.

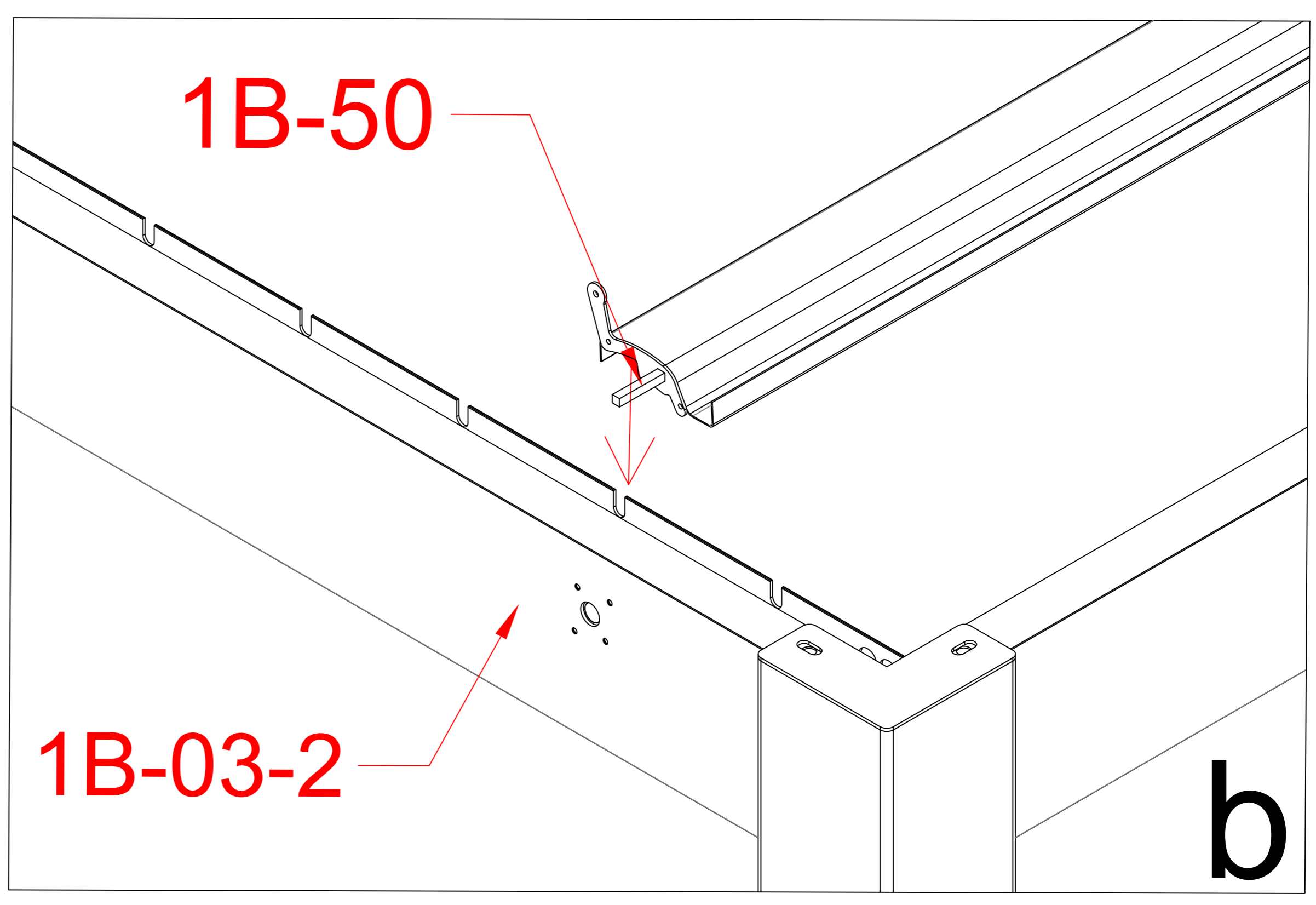
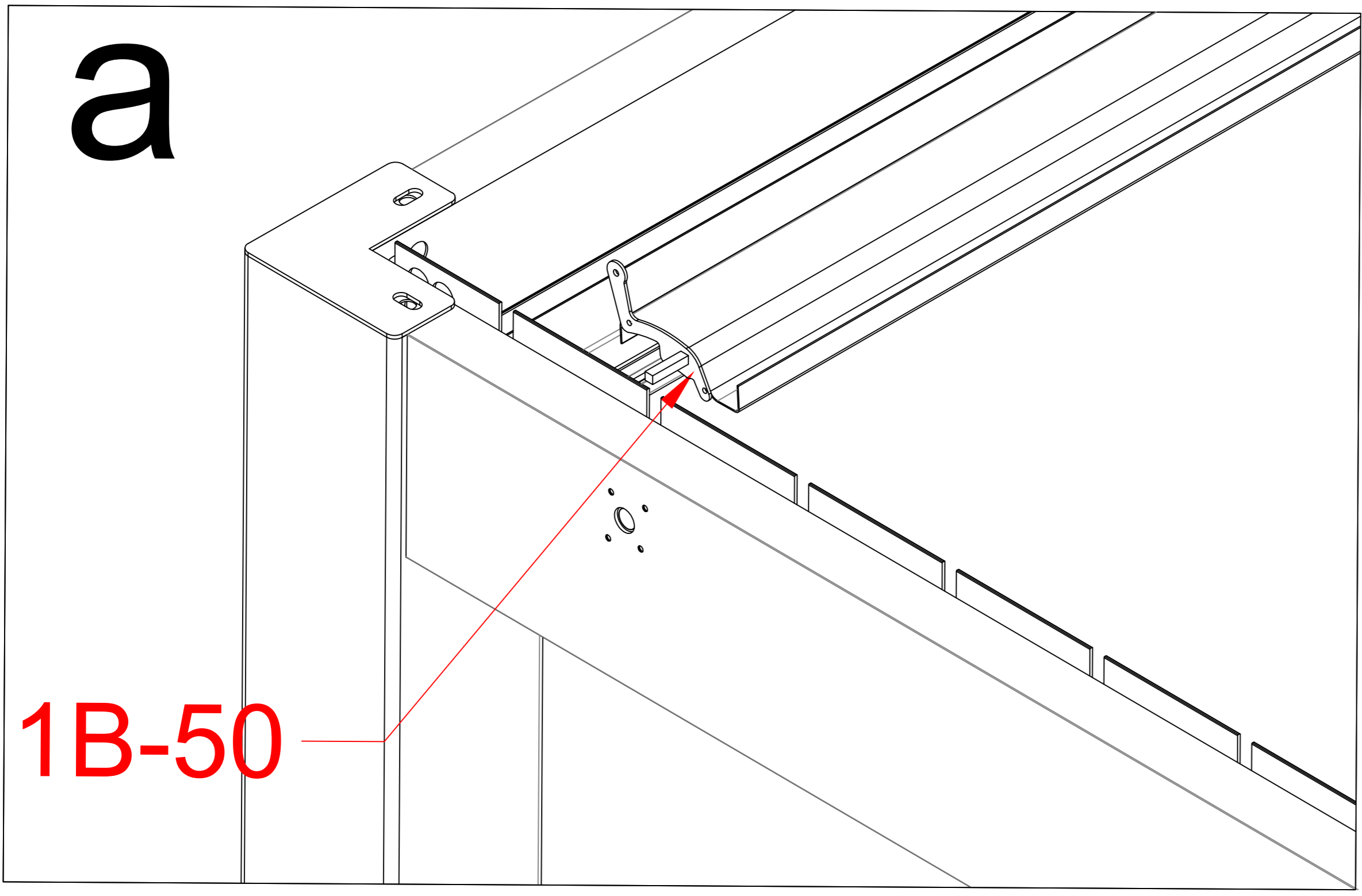
1B-51	 M3.5*25	84
1B-06		42
1B-48		42



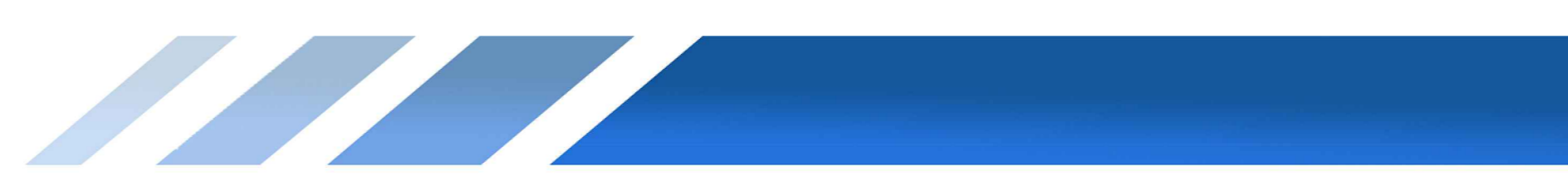


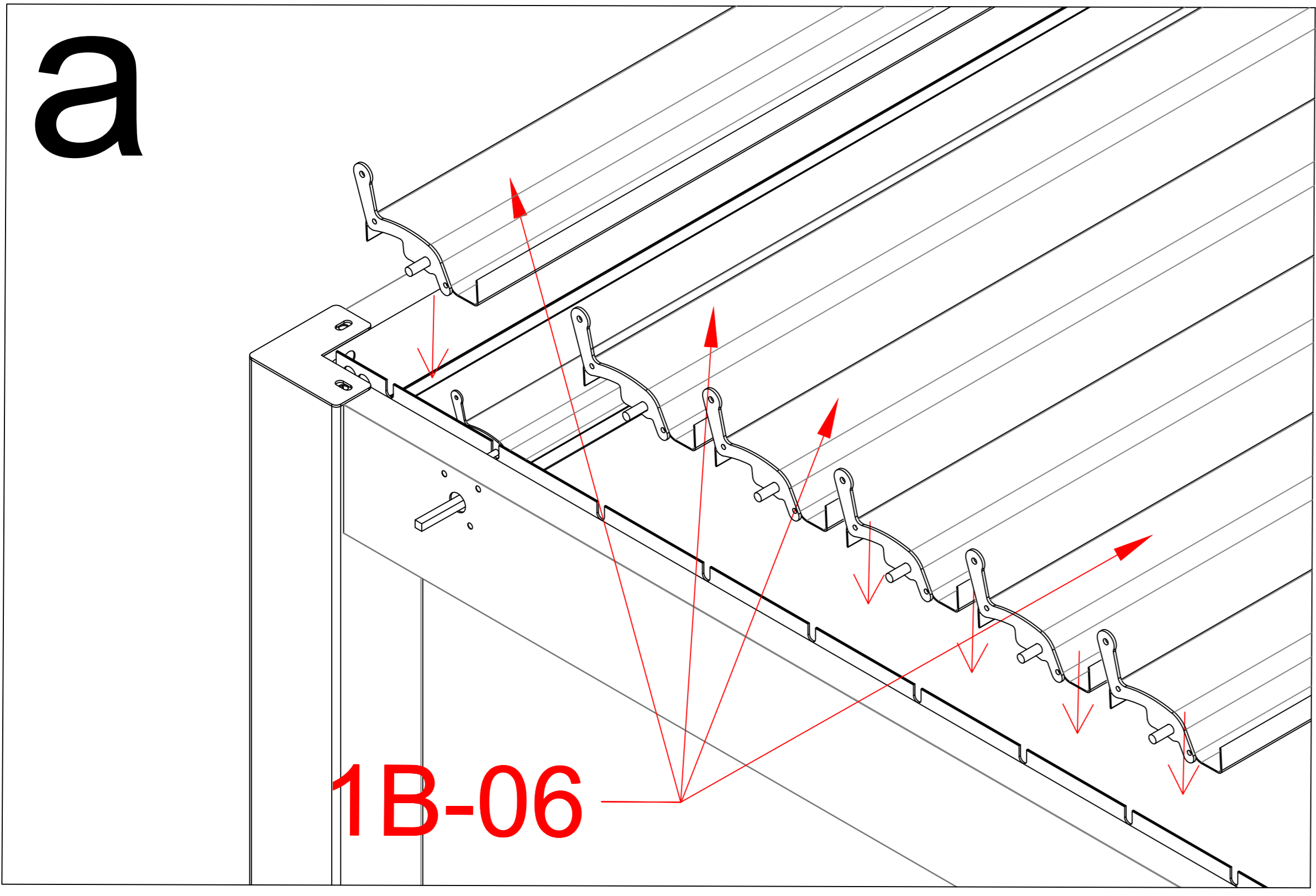
1B-49		40
1B-50		2
1B-51	 M3.5*25	84



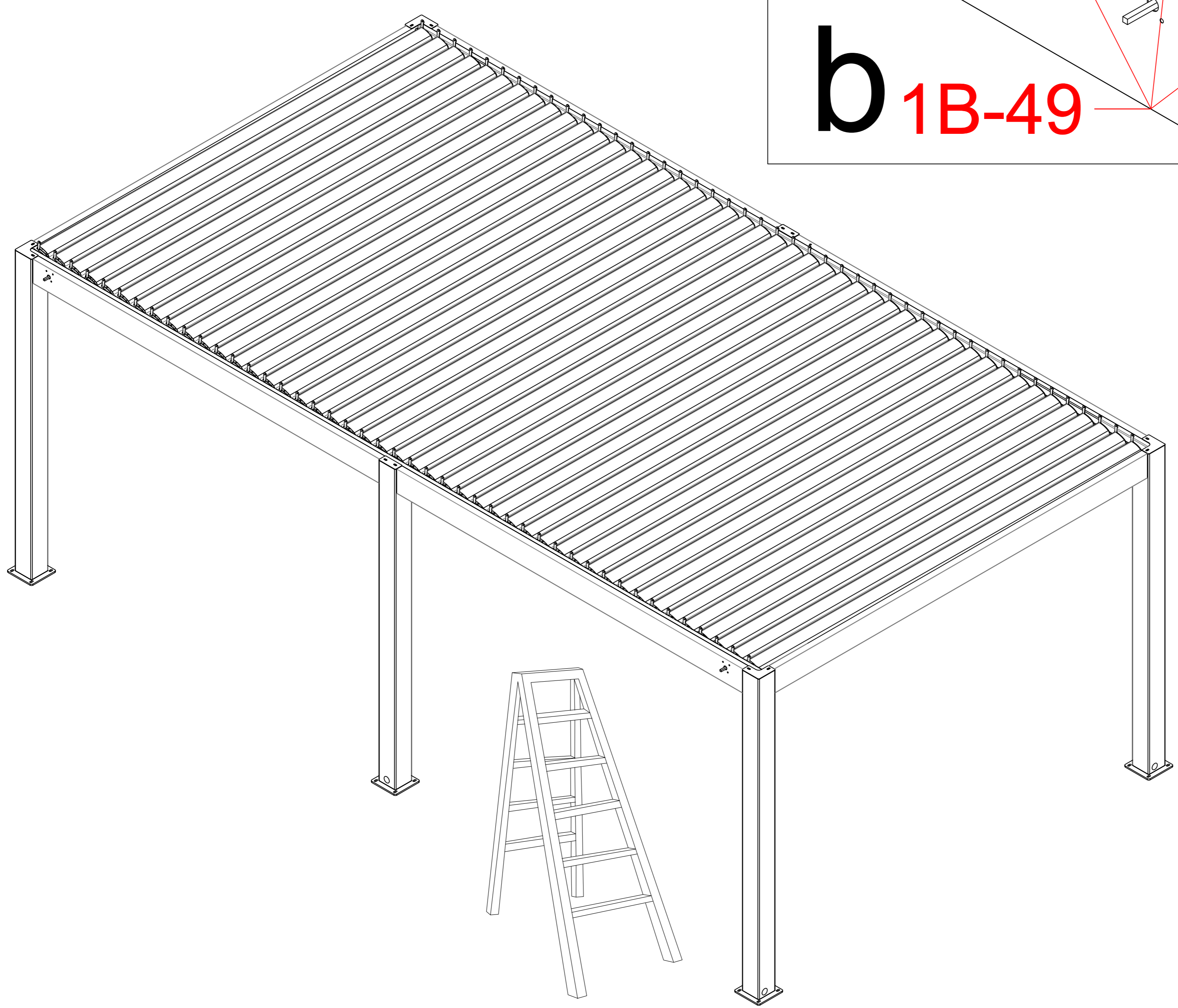
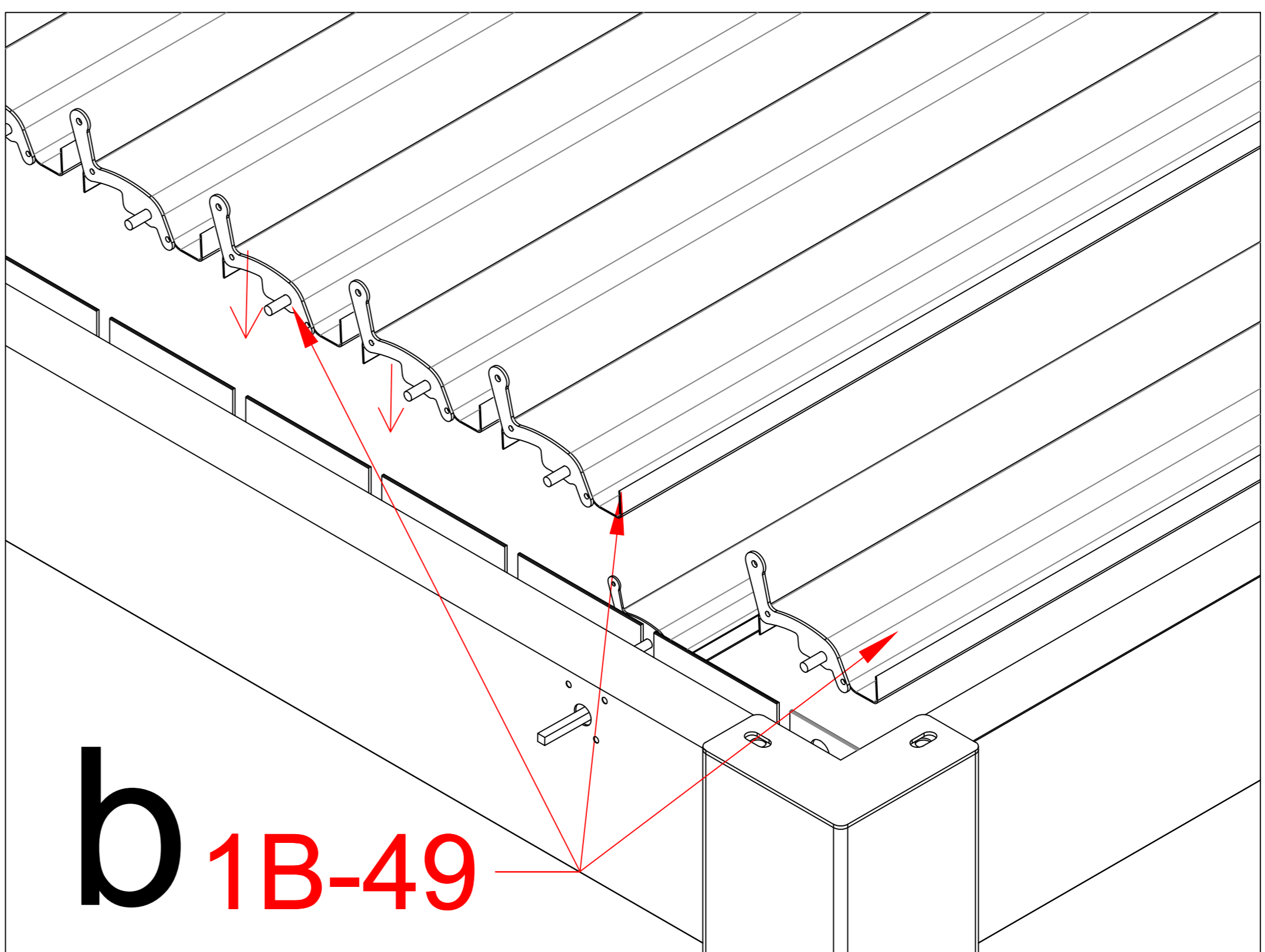


1B-06		2
-------	--	---

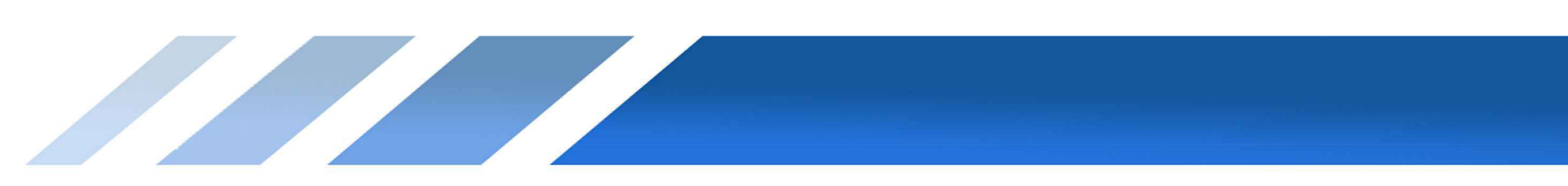


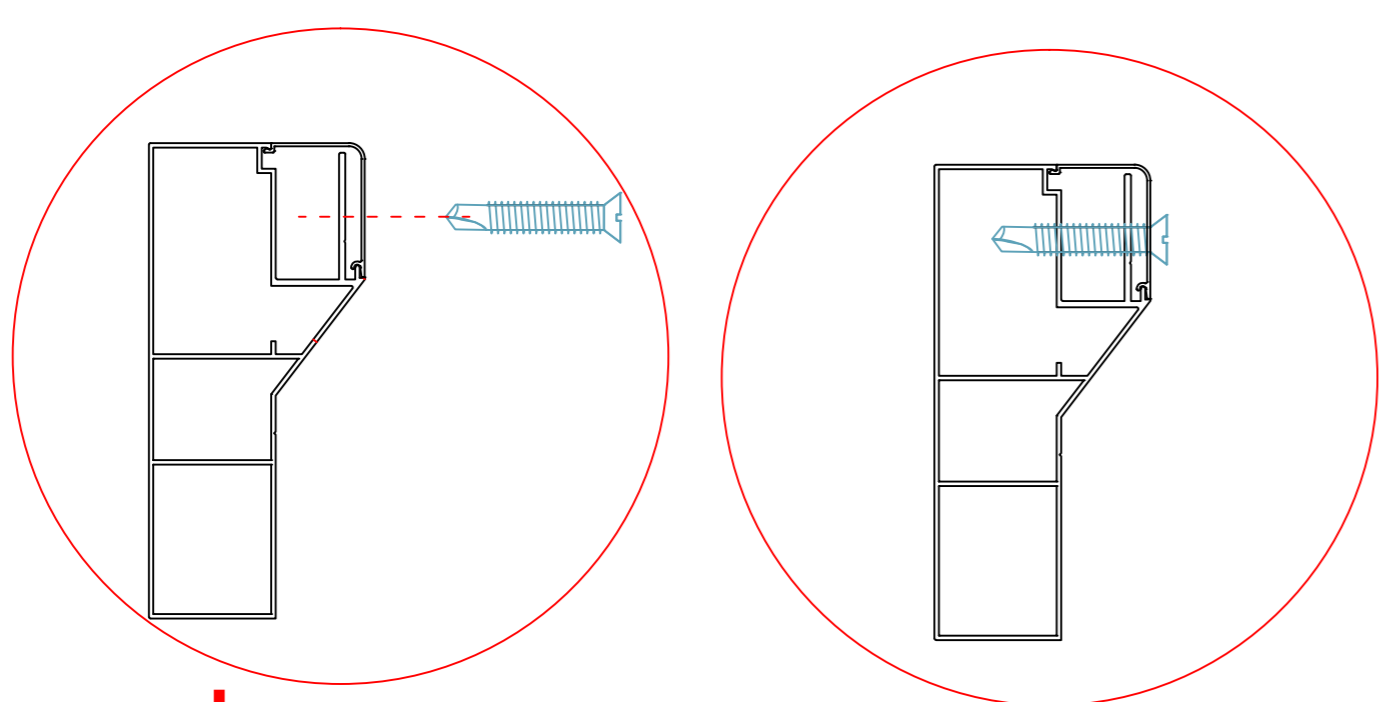


When installing louvers, first separate the two rubber gaskets and slide them to both ends of the circular shaft. Then, please ensure they are closed tightly before proceeding with the next steps of the installation.

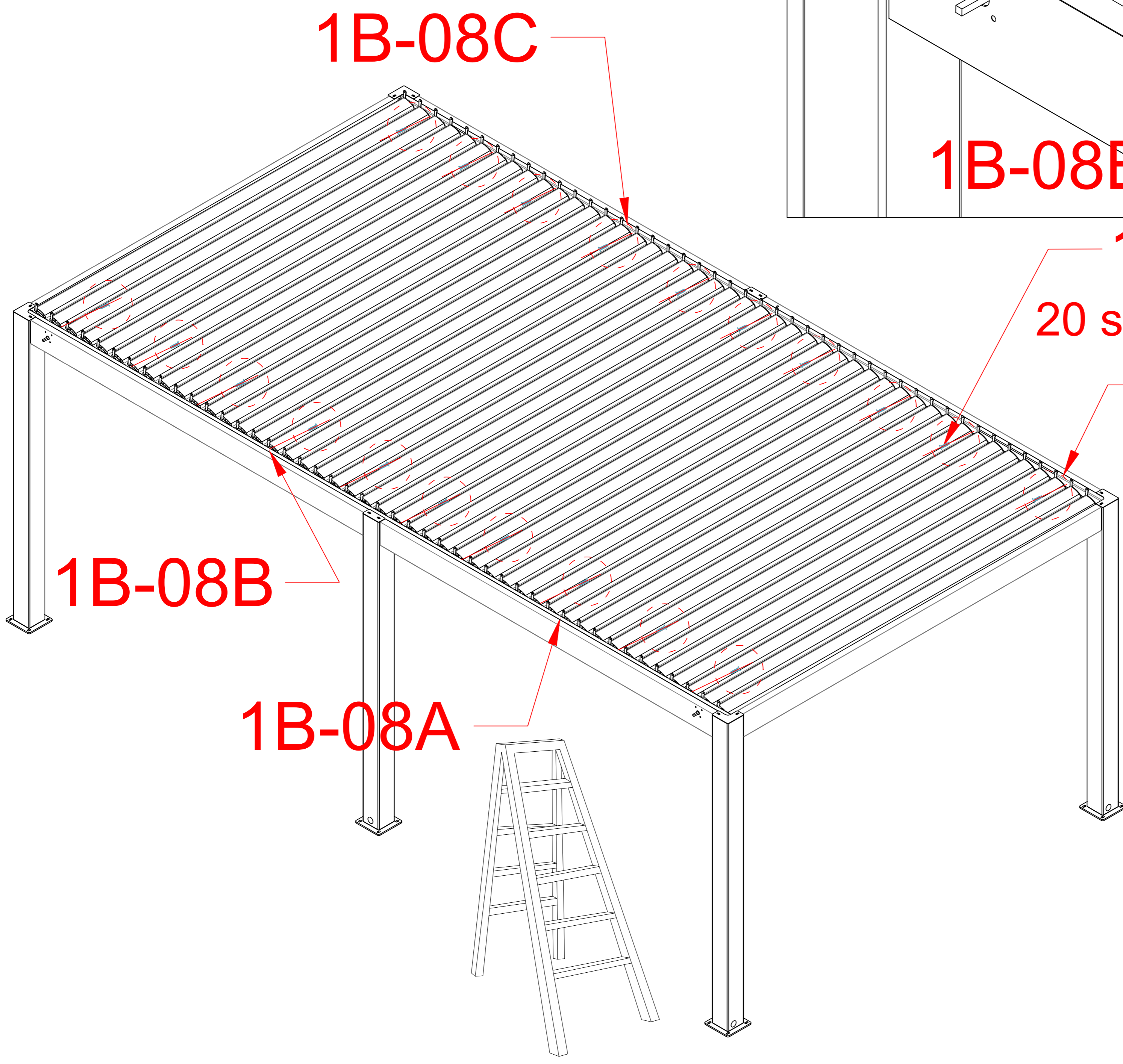
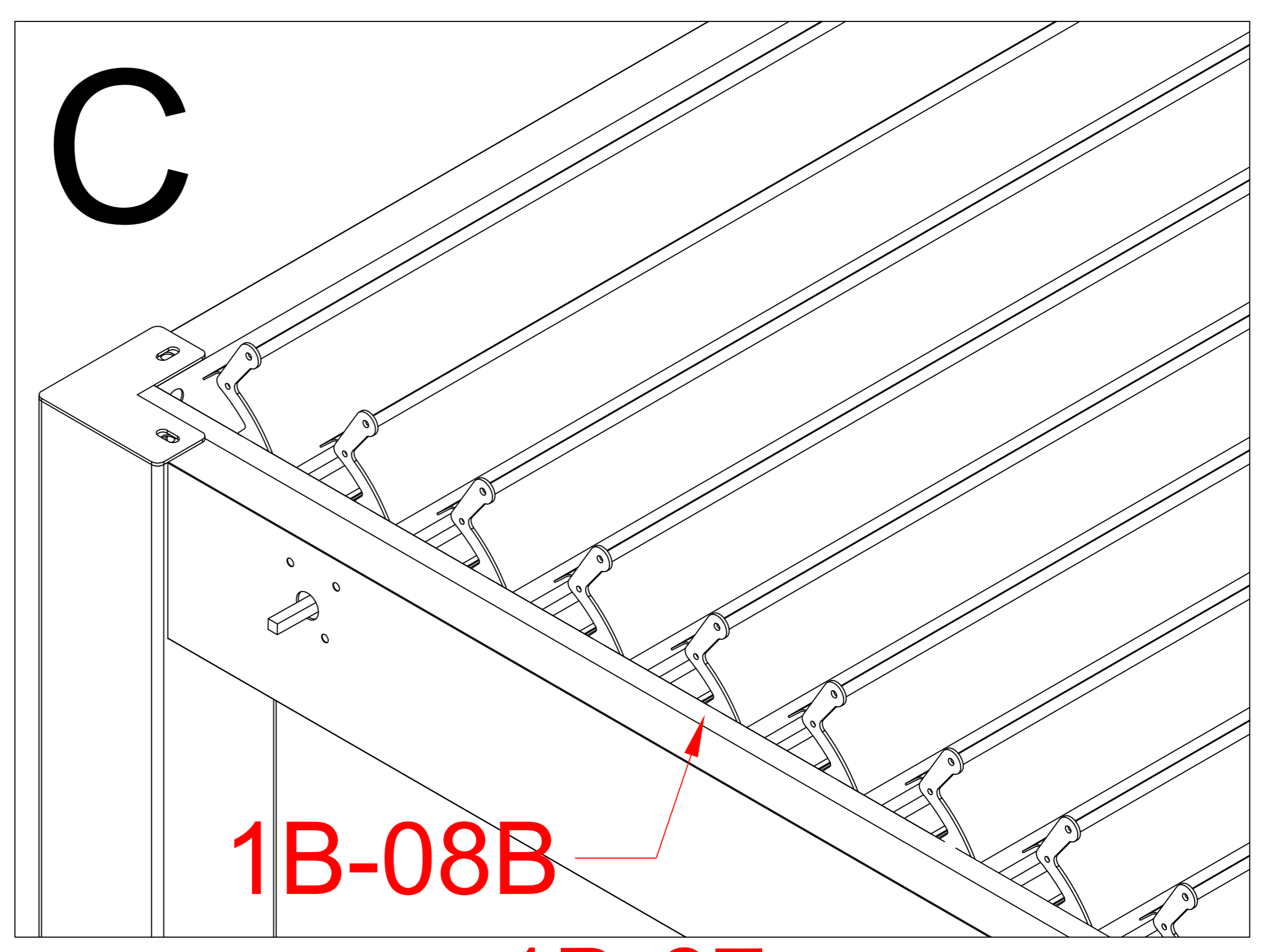
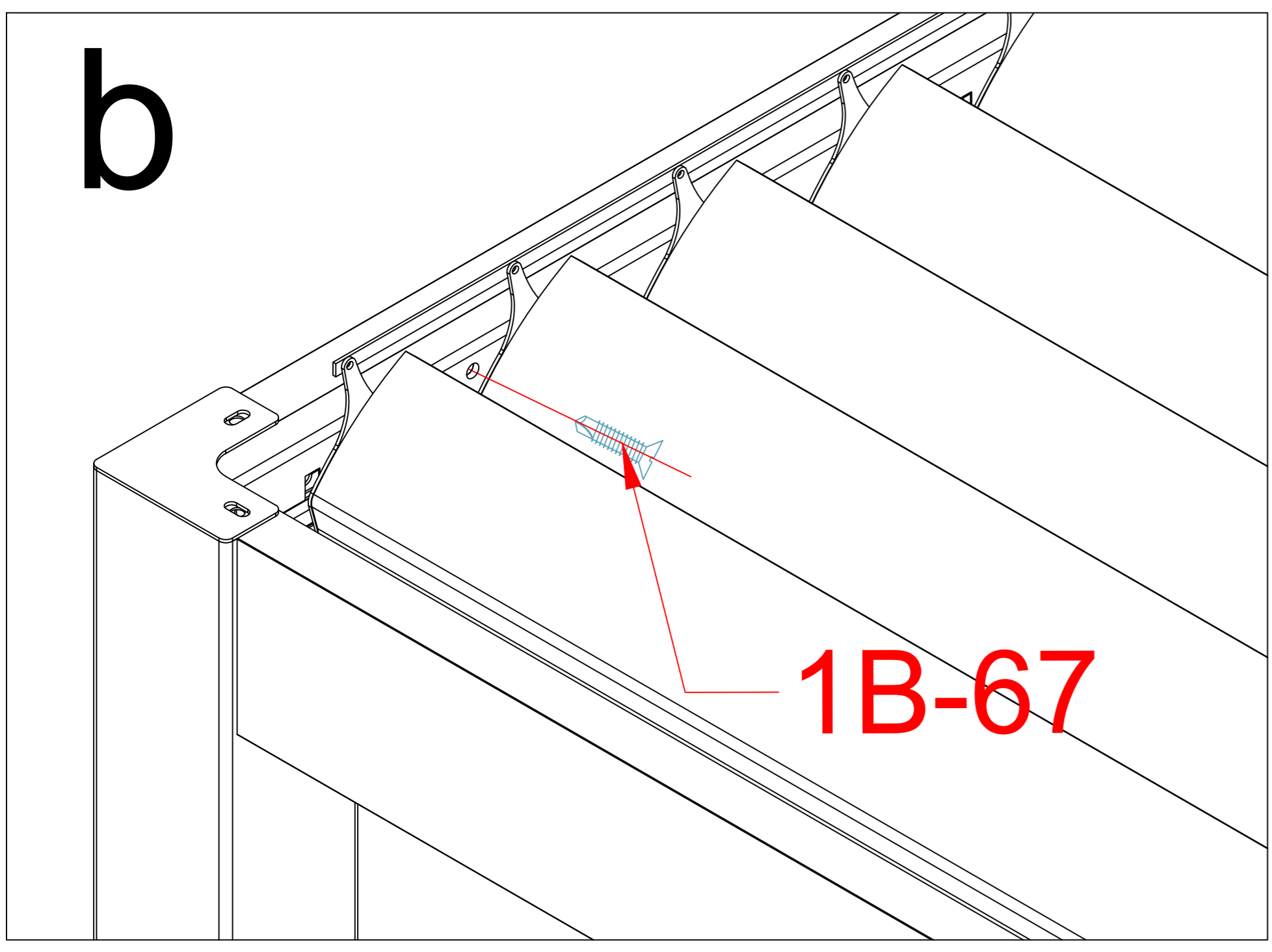
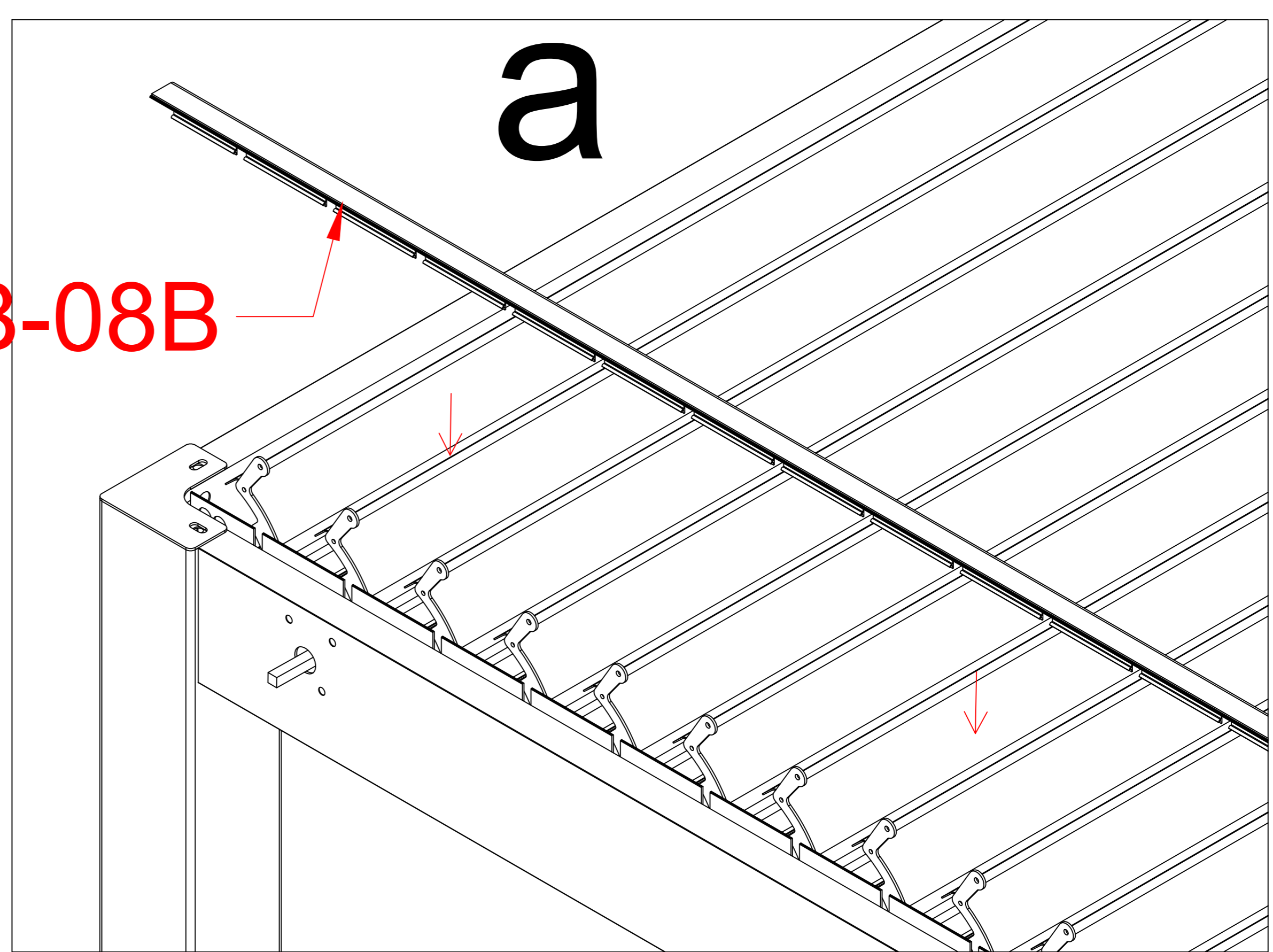


1B-06		40
-------	--	----

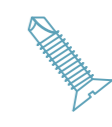
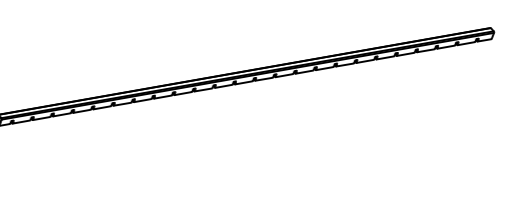
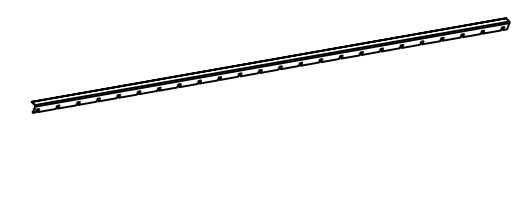
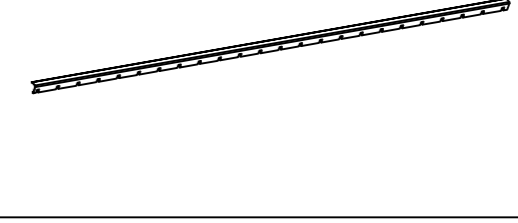
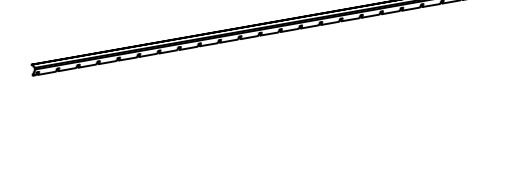


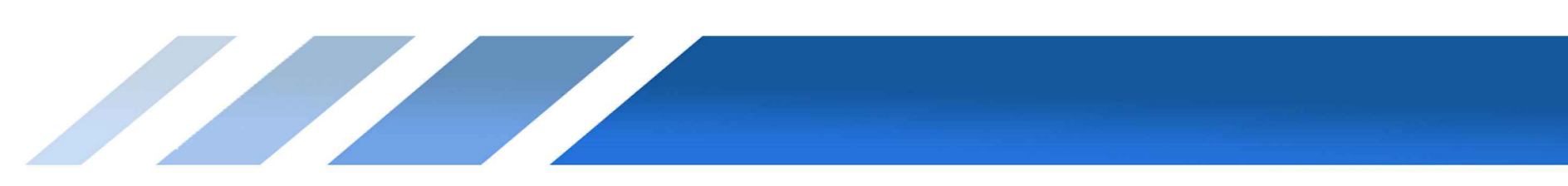


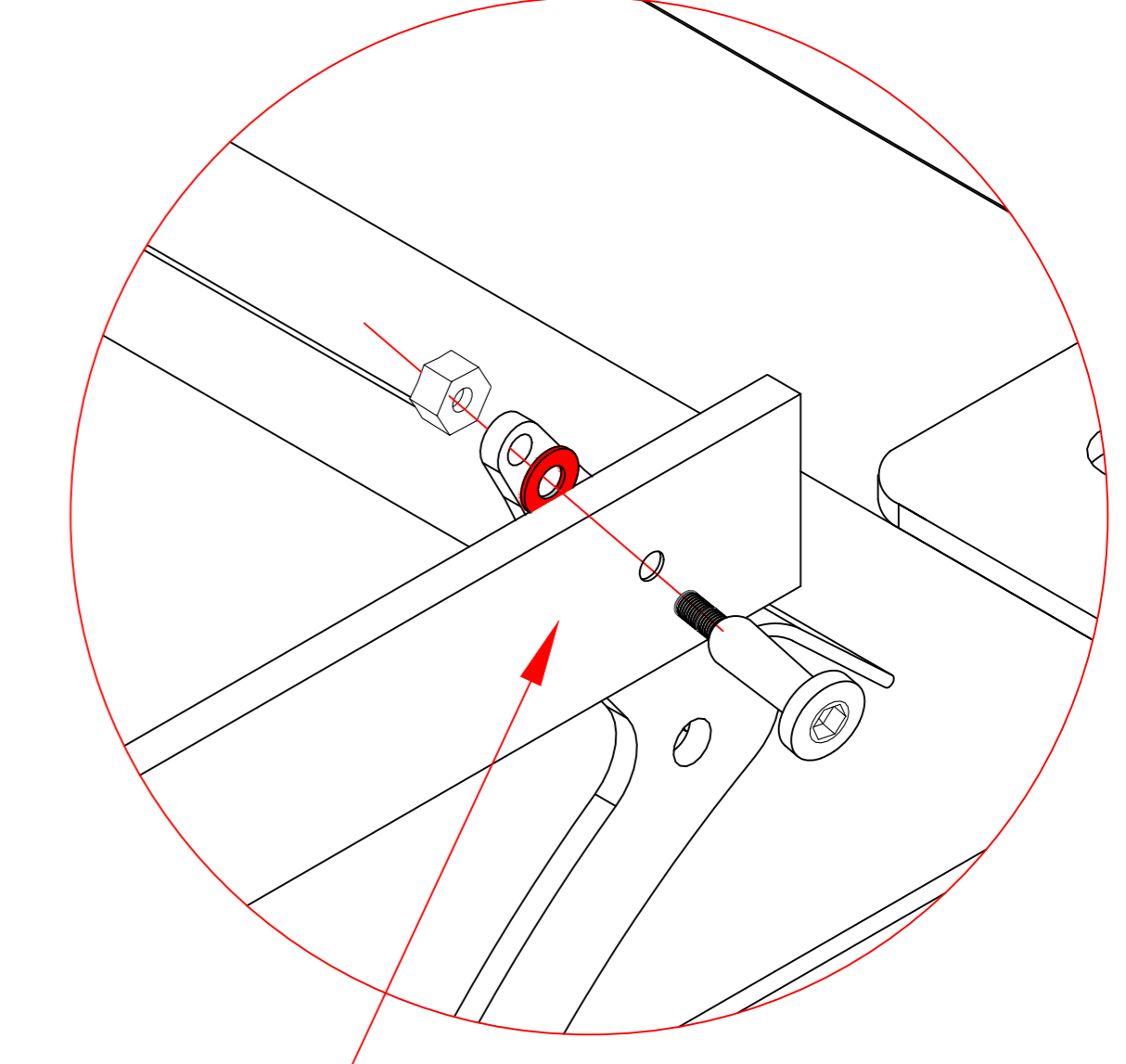
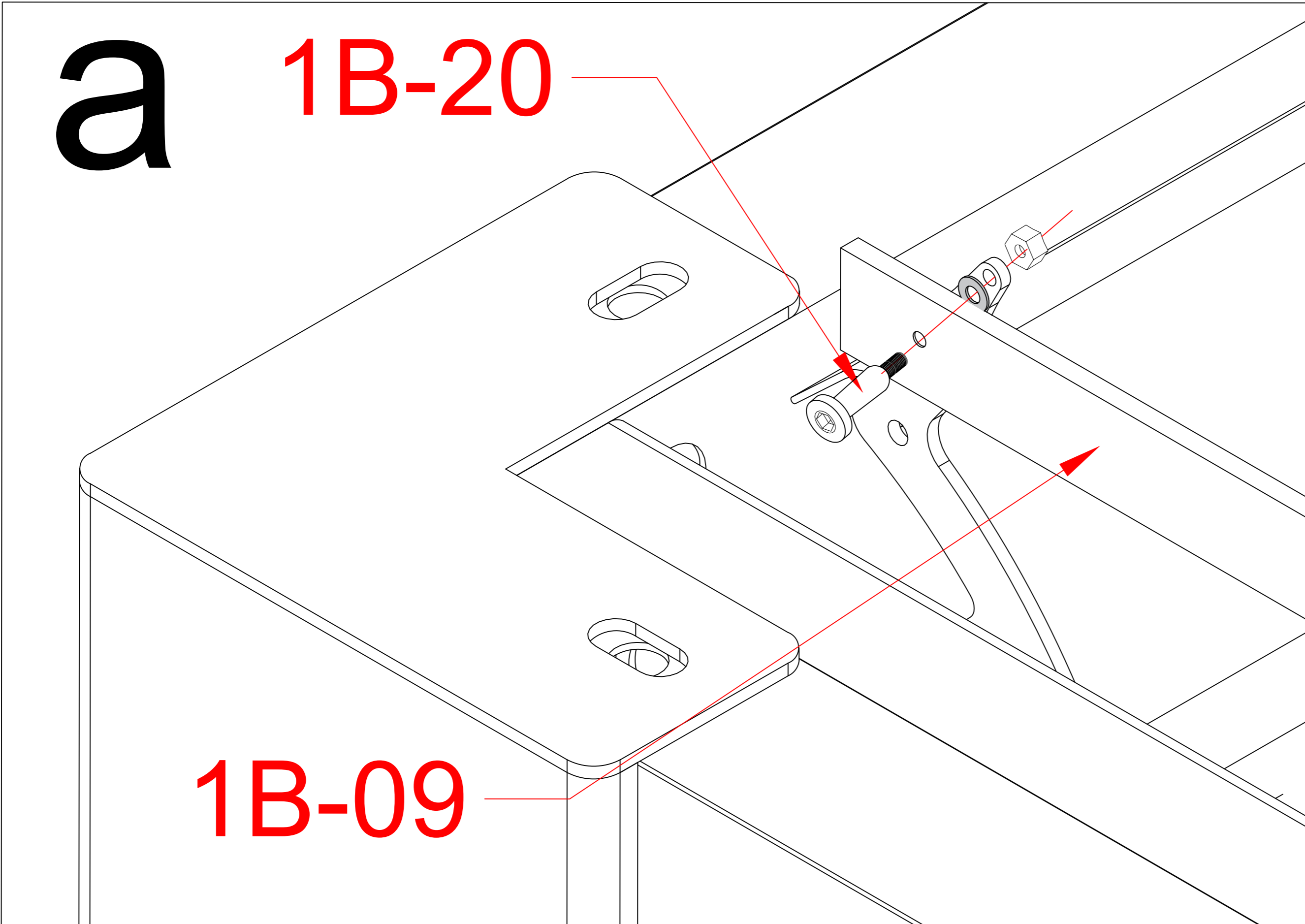
warning:
Here the screw must be
hit, do not miss



1B-67
20 screws: 5 screws / strip
1B-08D

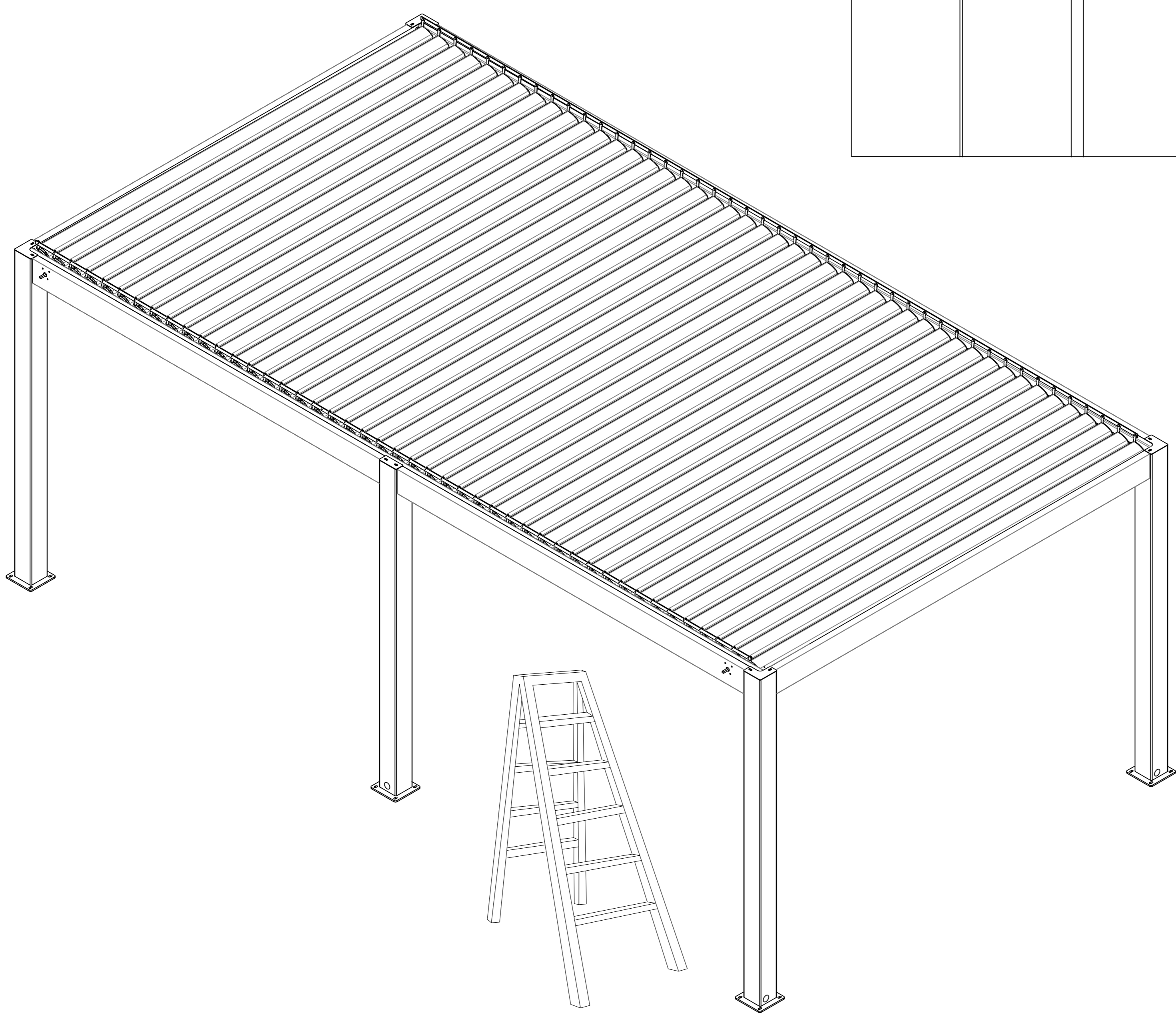
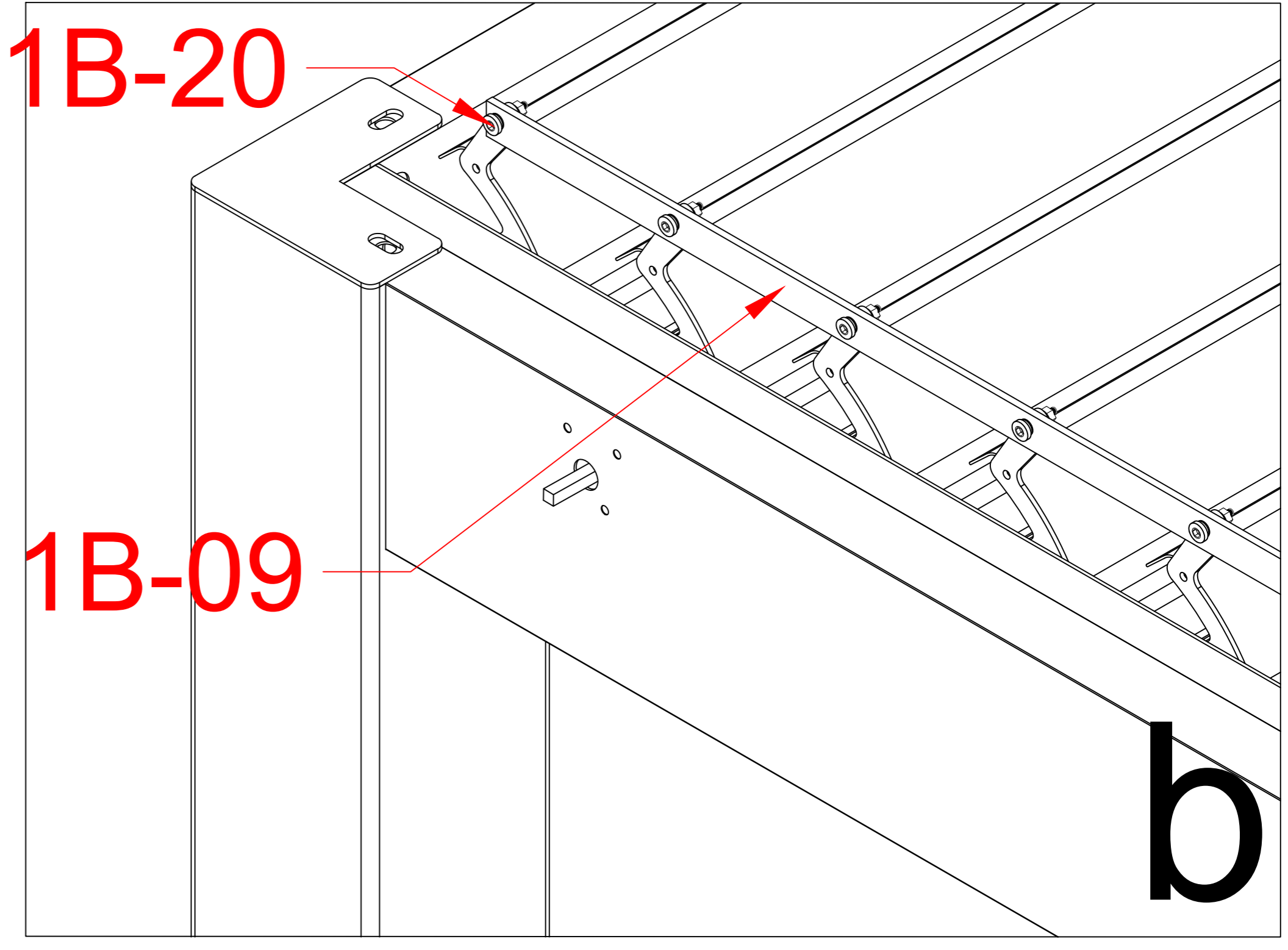
1B-67		20
1B-08A		1
1B-08B		1
1B-08C		1
1B-08D		1



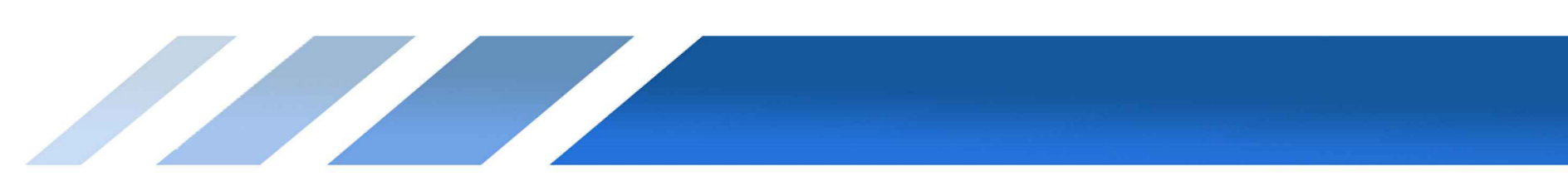


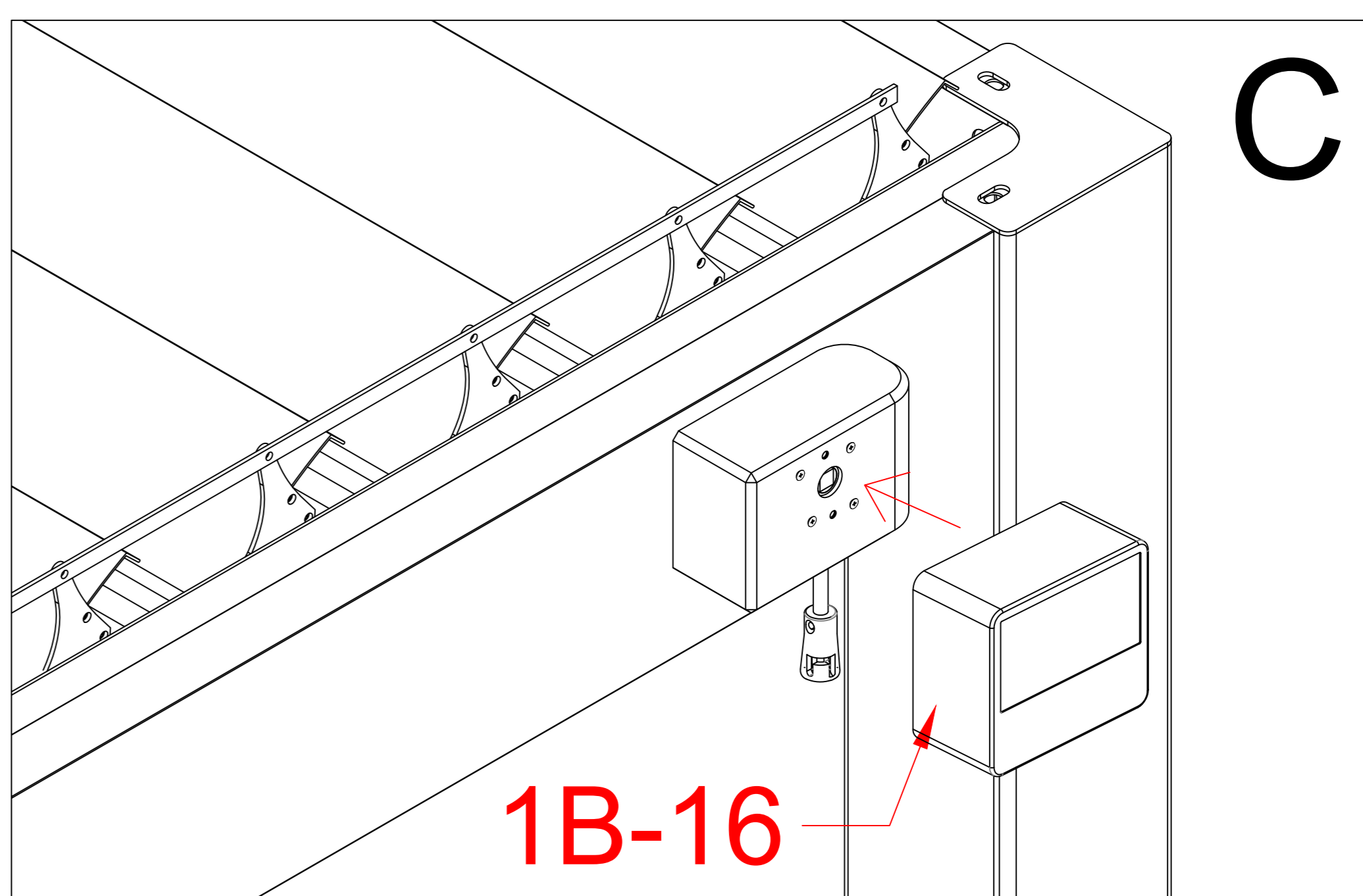
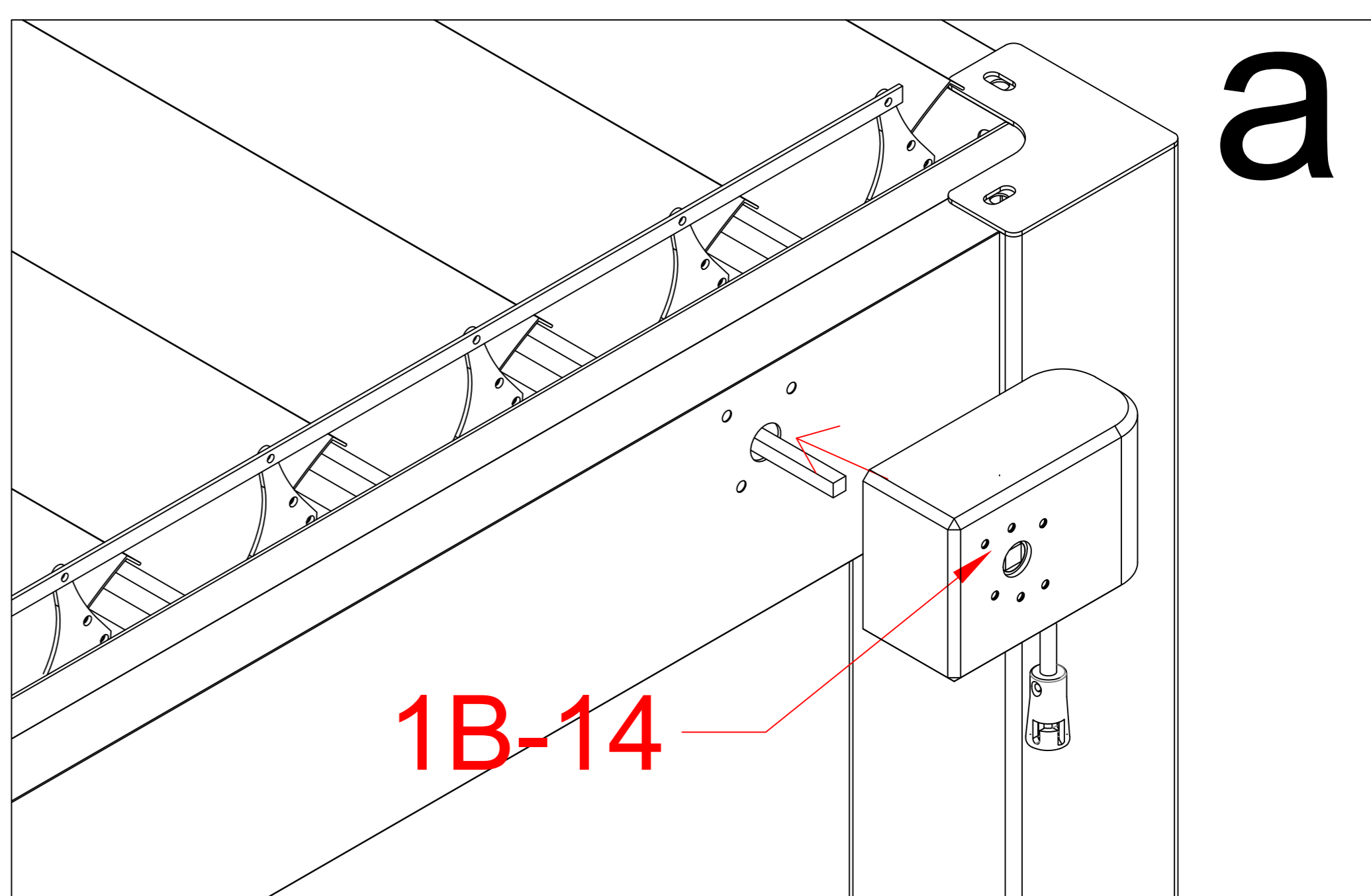
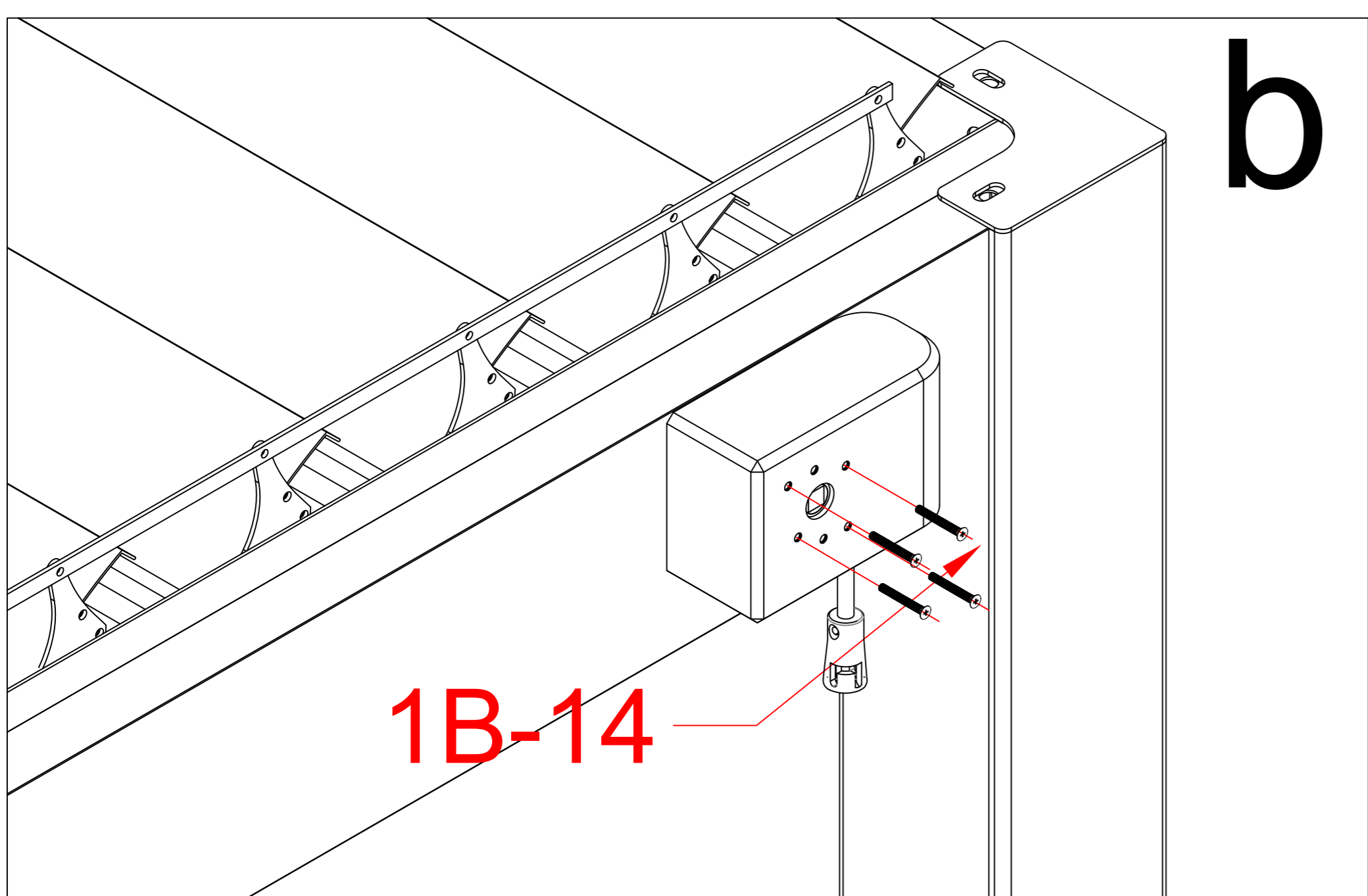
The driving bar shall be always outside of louver end caps. If inside, louvers could not be opened 100%

warning:
Bolts must be tightened



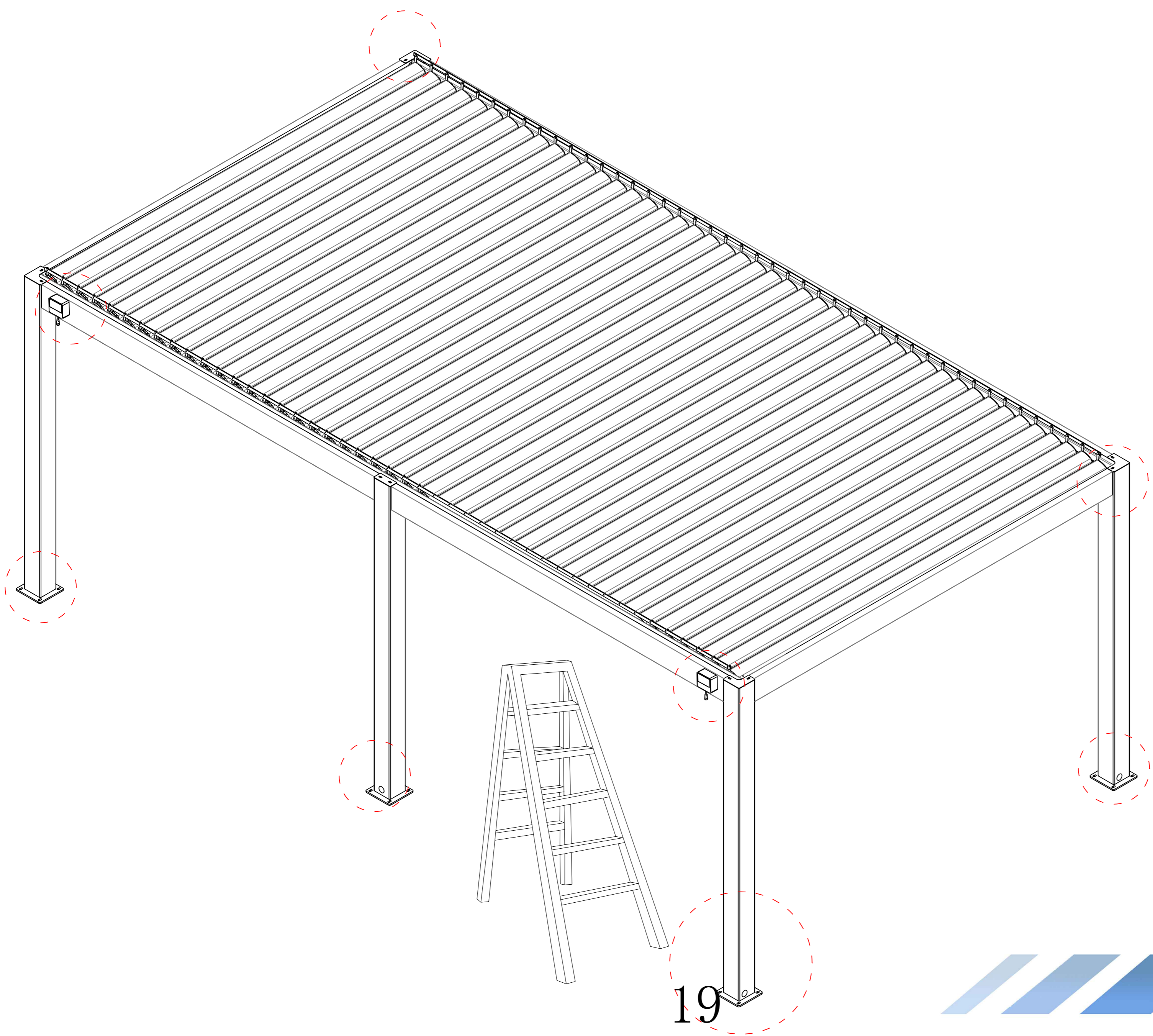
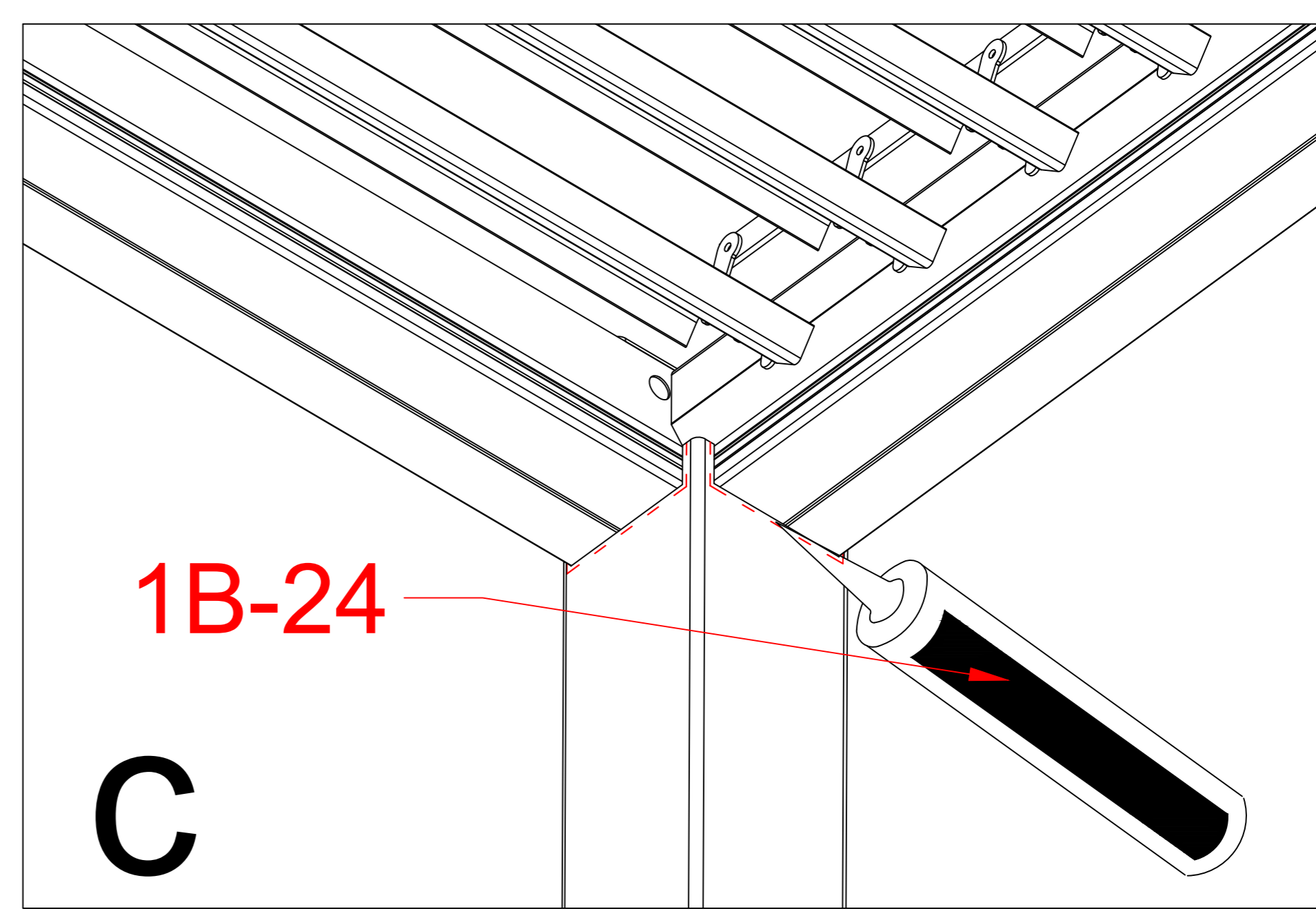
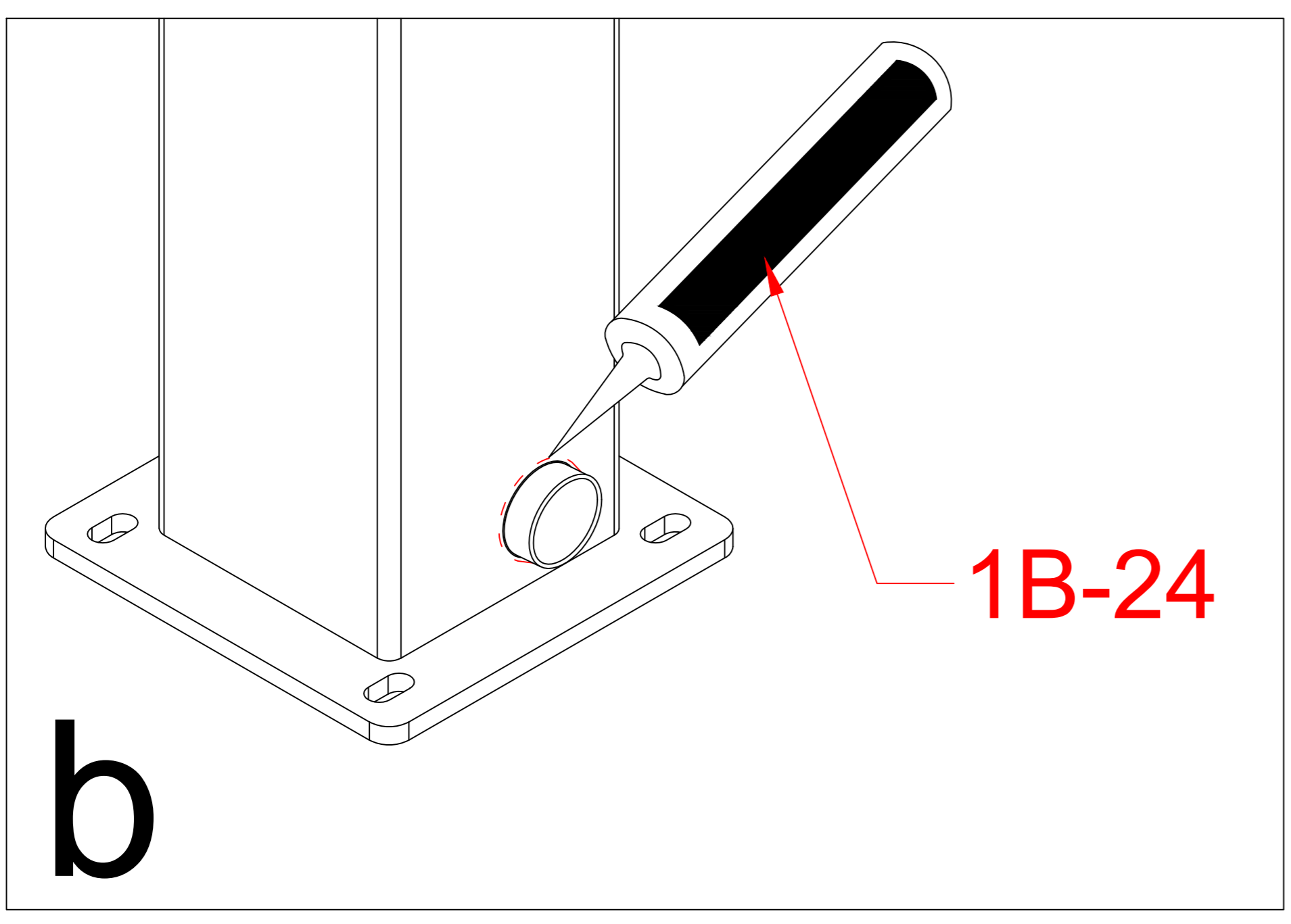
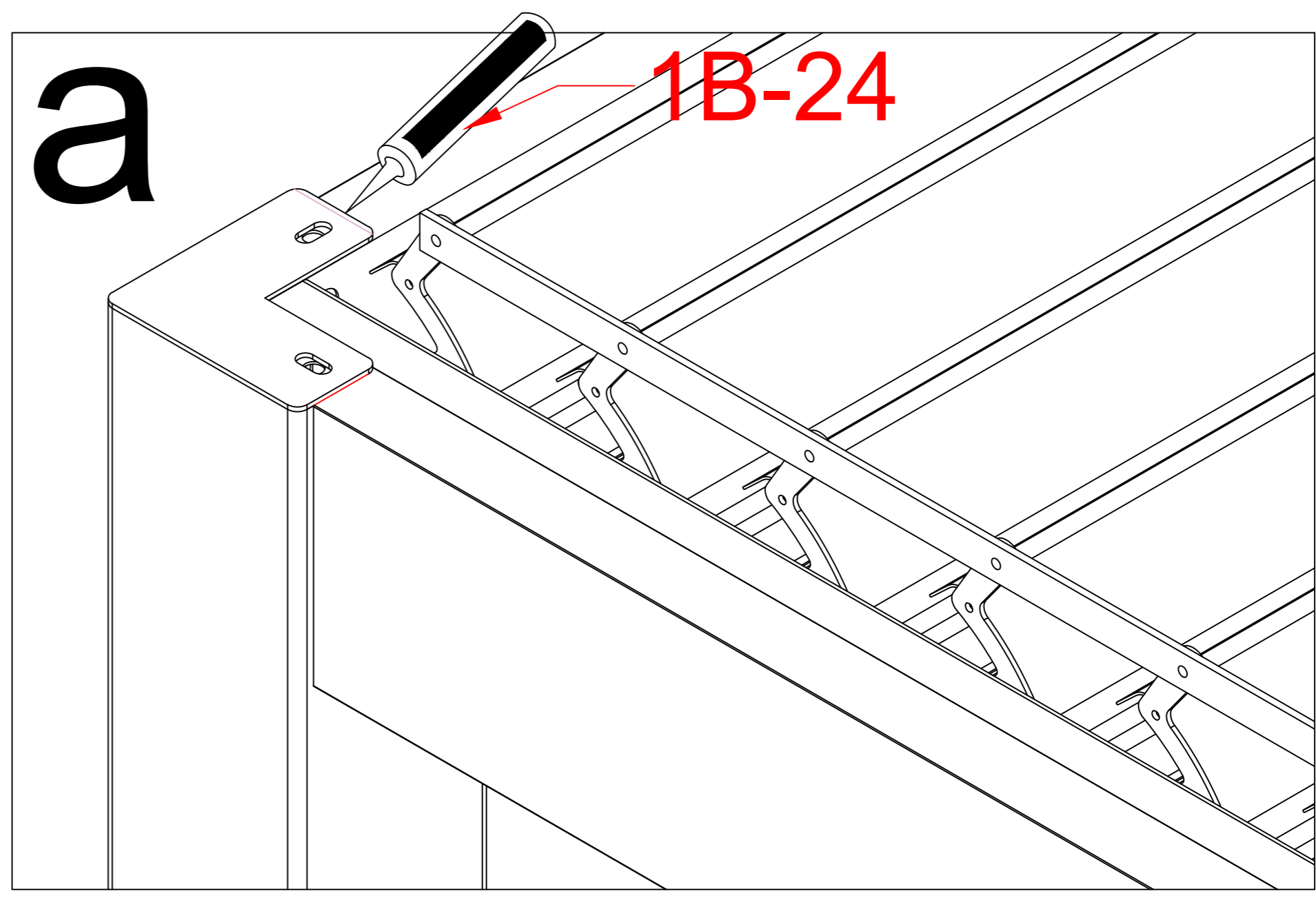
1B-09		4
1B-20		84

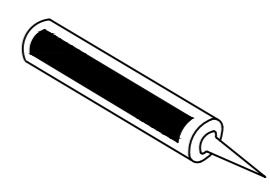


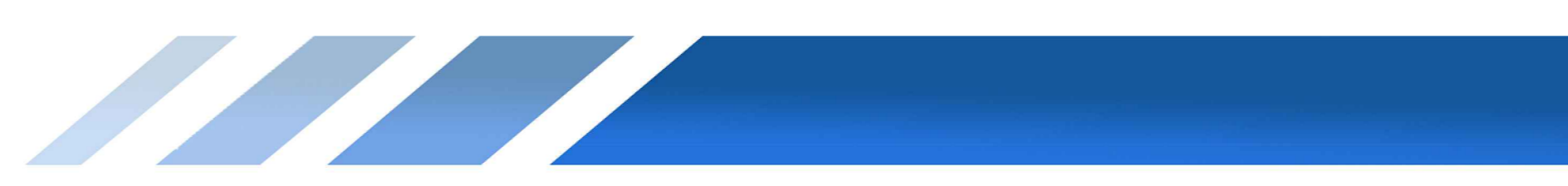


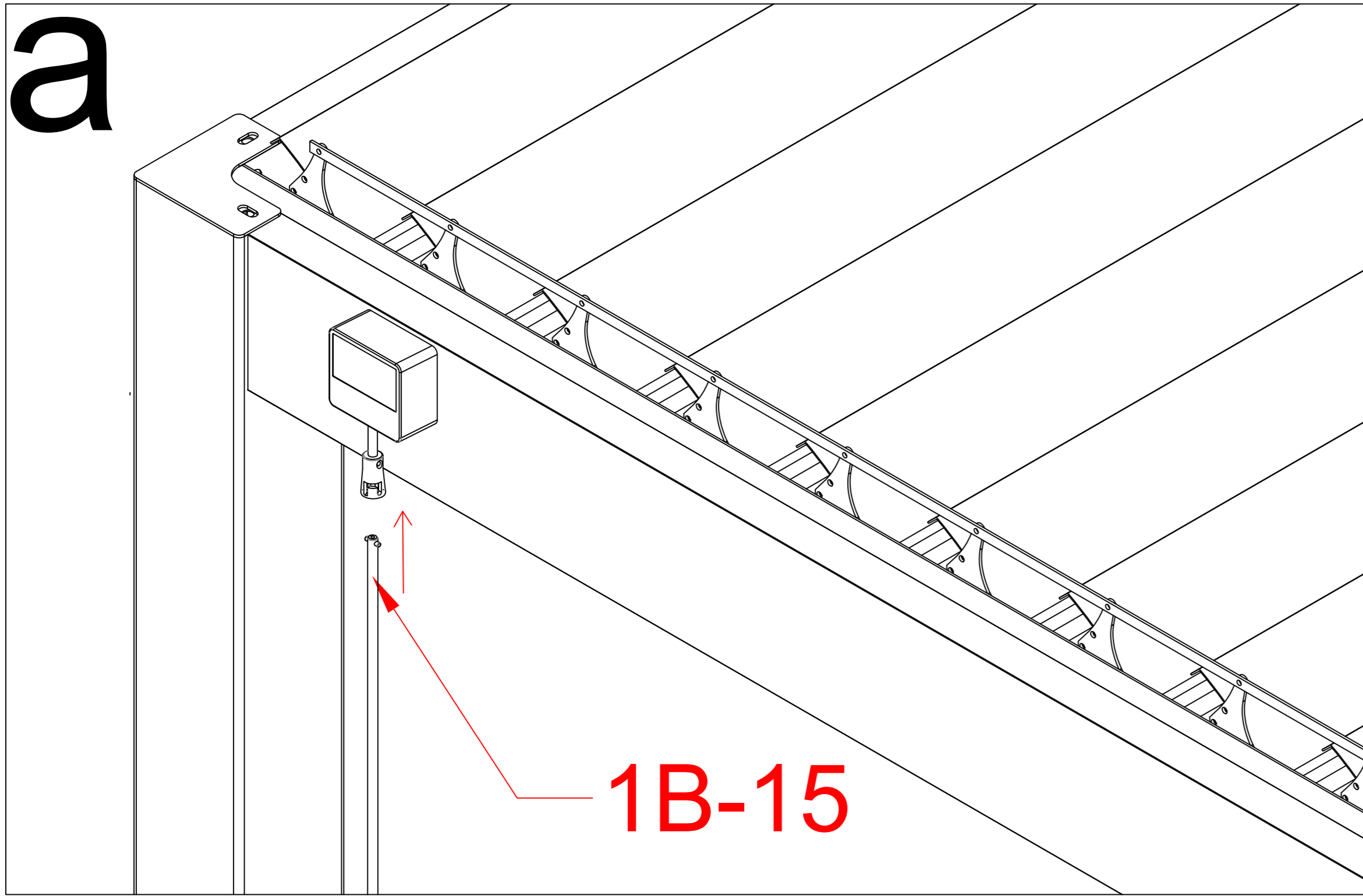
1B-14	+	2
1B-16		2



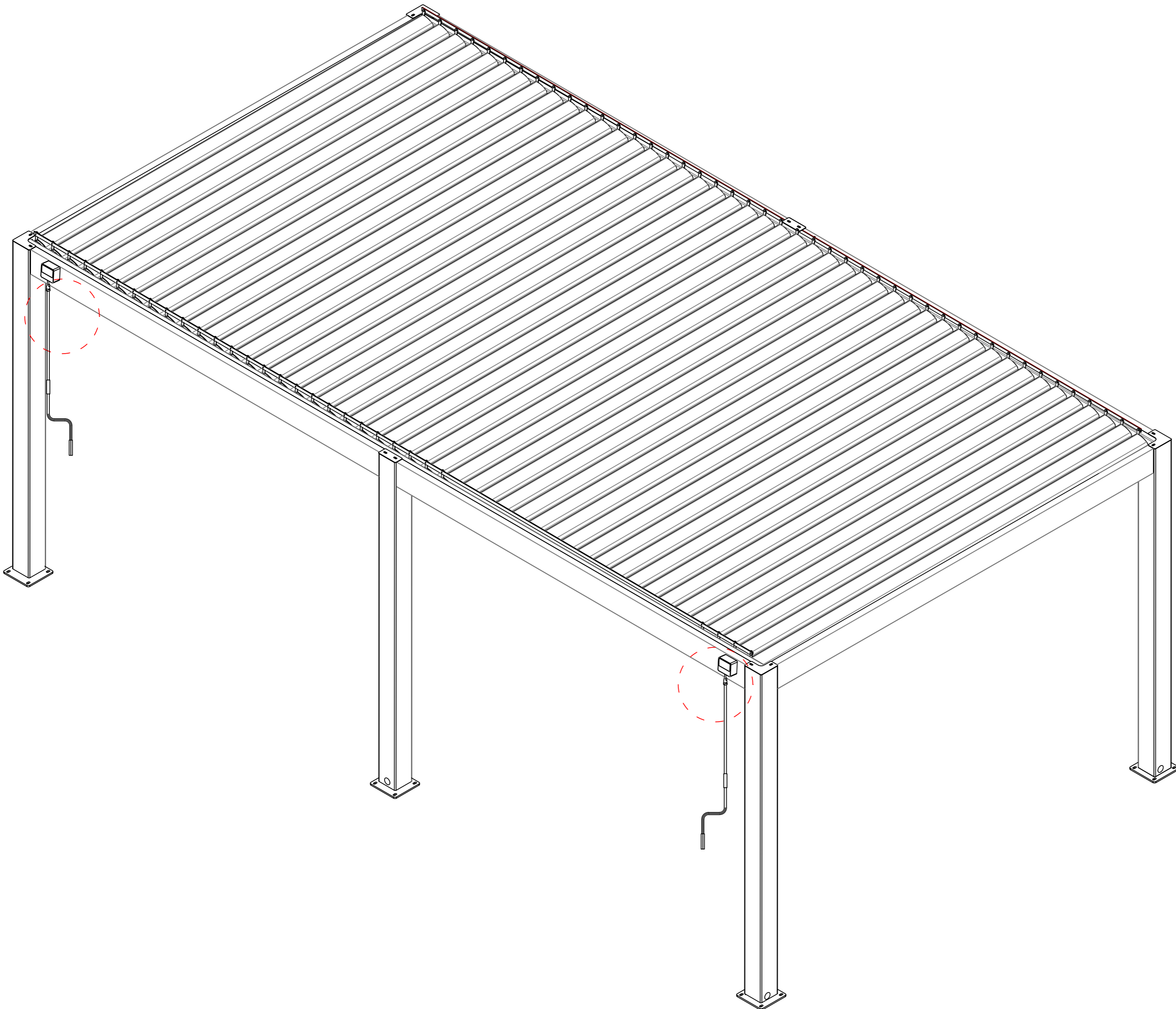
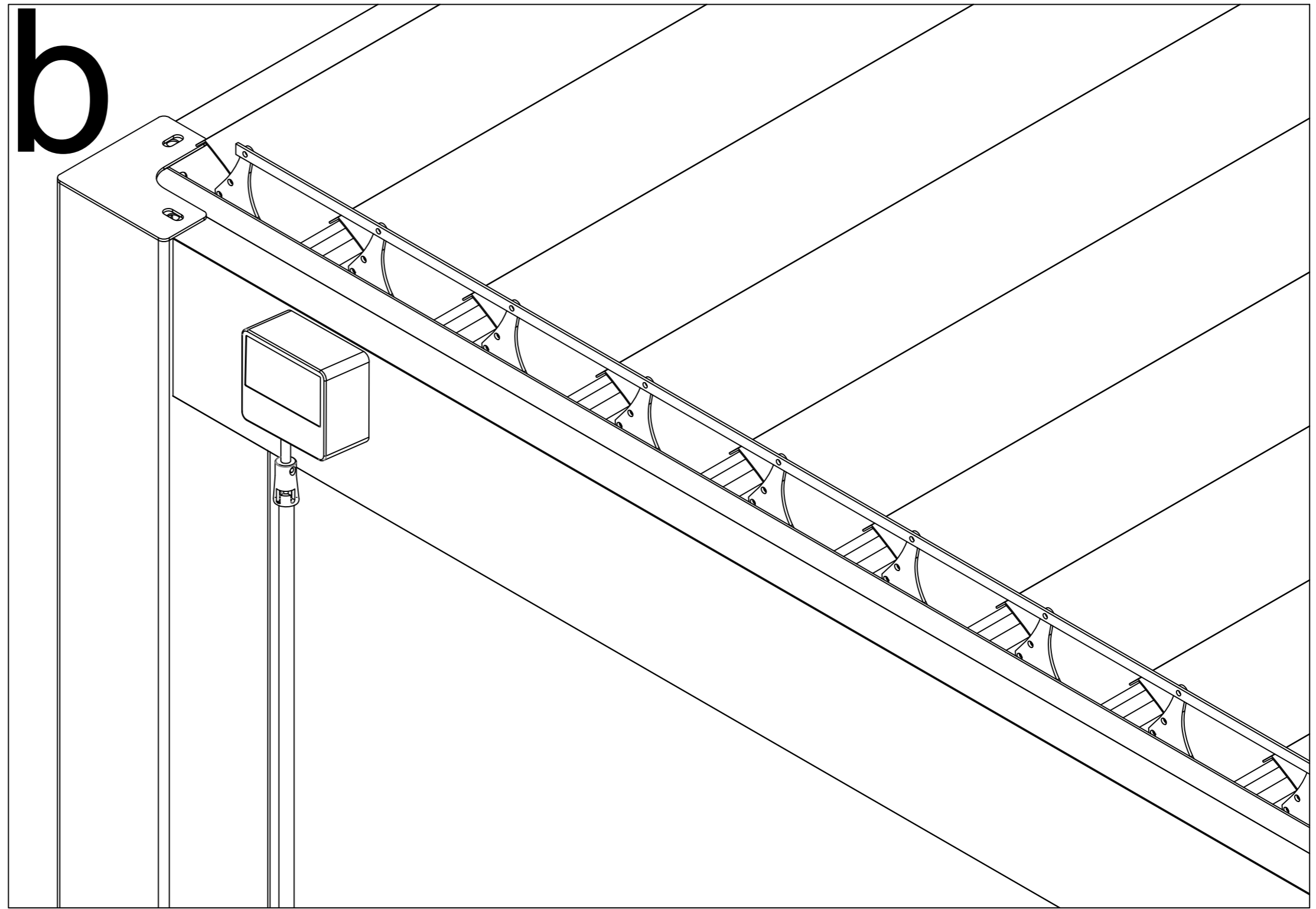


1B-24		1
-------	---	---





Warning
In Snow / Wind season or in
case of snow / wind forecast
open up your shutters in vertical
position to avoid any damaging
on your pergola.



1B-15		2
-------	--	---

