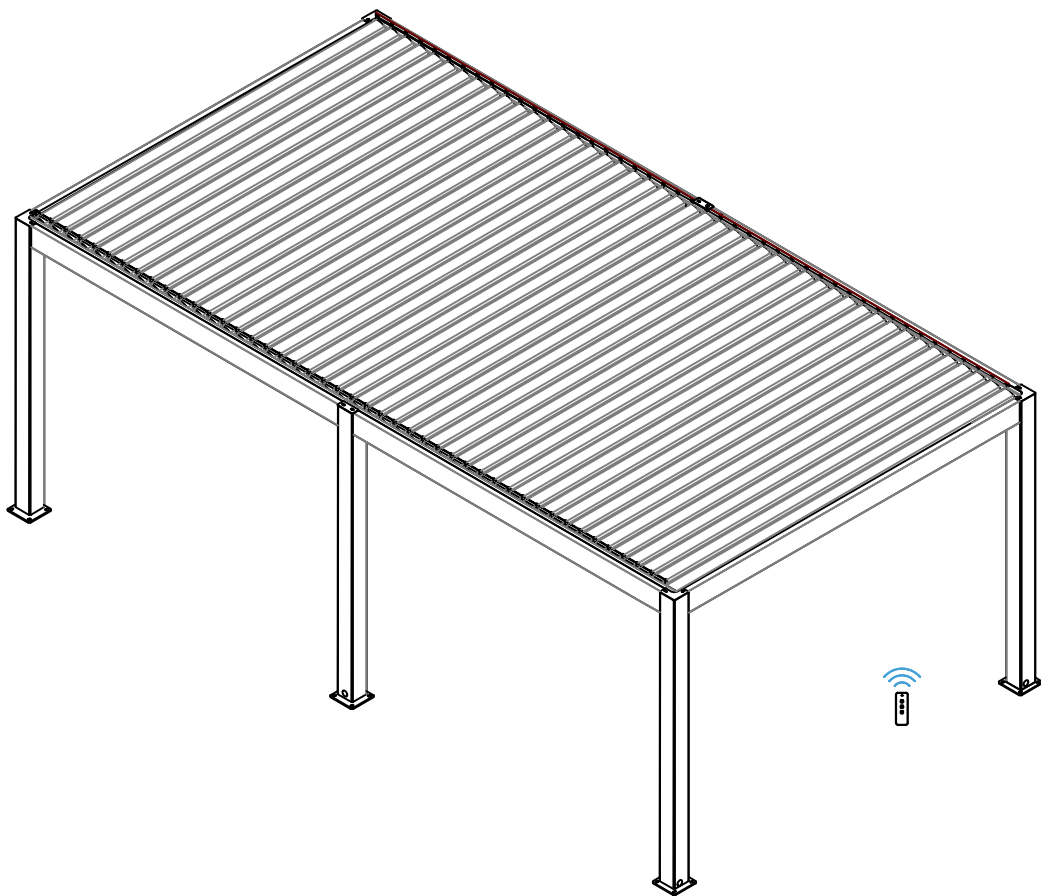




KING PERGOLA FREE STANDING 6 POSTS

ELECTRIC 3x5m





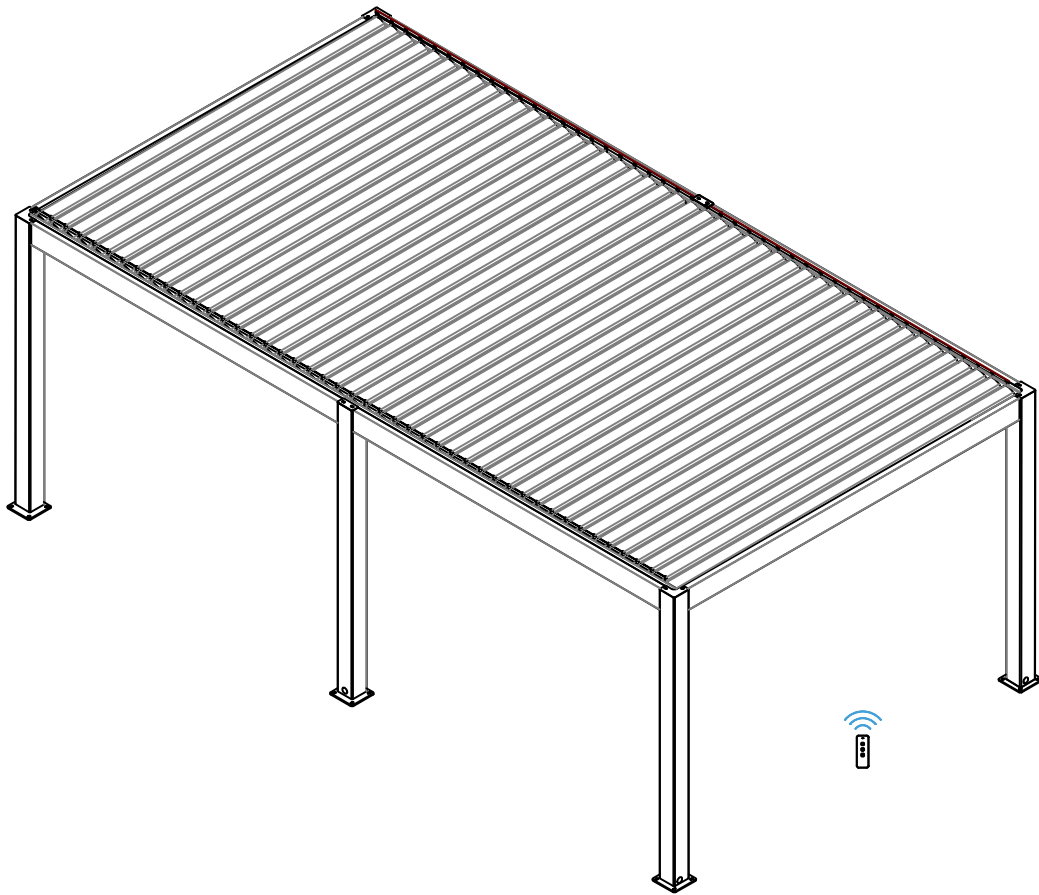
Installation and Wind Management Guidelines

1. Installation on Various Surfaces

For WPC (Wood Plastic Composite), antiseptic wood, ceramic, or stone flooring, it is essential to either concrete the post directly or construct a 50cm concrete foundation beneath the base plate to secure it firmly.

2. Wind Management

In the event of strong winds, the louvers must be opened to maintain proper air circulation and minimise wind resistance.”



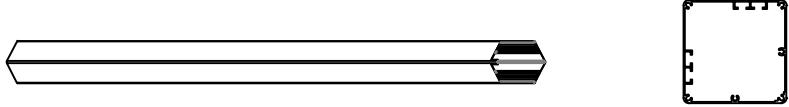
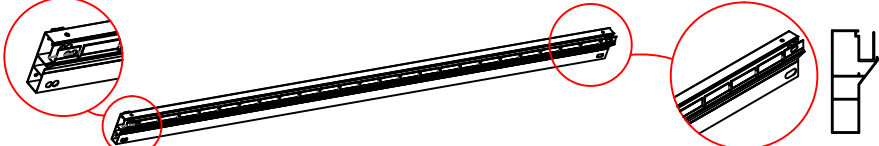
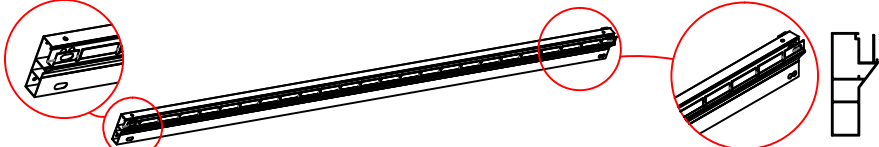


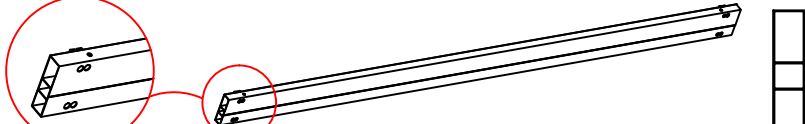





3×5m

	Item	Qty	Item	Qty	Item	Qty
Carton 1/6	1B-27	2	1B-11	4	1B-12	4
	1B-13	4	1B-13B	2	1B-14	2
	1B-15	2	1B-18	1	1B-19	18+
	1B-20	84+	1B-21	24+	1B-22	36+
	1B-23	22+	1B-24	1	1B-26	2
	1B-32	2	1B-33	2	1B-45	8
	1B-46	8	1B-48	40+	1B-49	42+
	1B-50	2	1B-51	168+	1B-31	2
	1B-63	4	1B-67	20+	1B-30	2
Carton 2/6	1B-01	4				
Carton 3/6	1B-02	1	1B-02-2	1	1B-03	1
	1B-03-2	1	1B-08A	1	1B-08B	1
	1B-08C	1	1B-08D	1	1B-09	4
	1B-29	4				
Carton 4/6	1B-04	2	1B-05	2	1B-05-2	4
	1B-06	6				
Carton 5/6	1B-06	24				
Carton 6/6	1B-06	12				

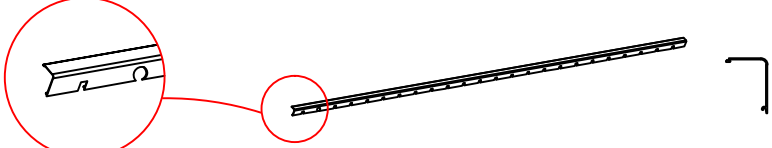
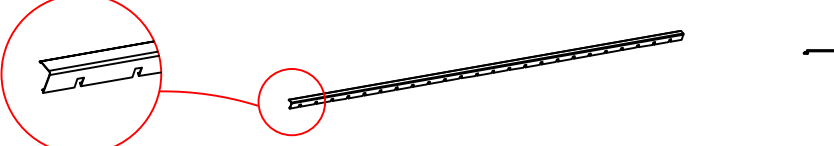
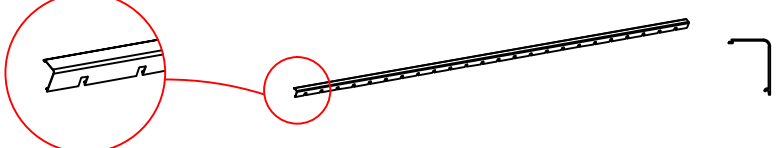
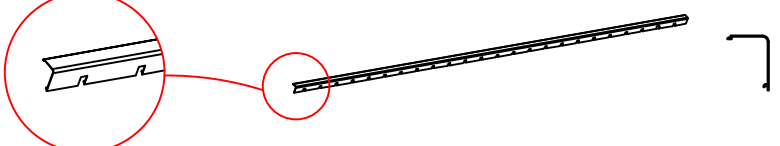
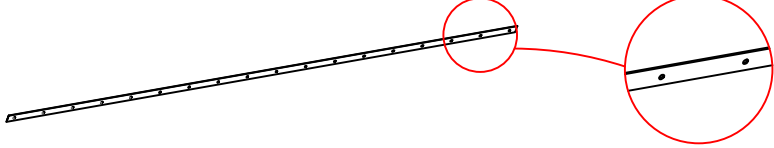
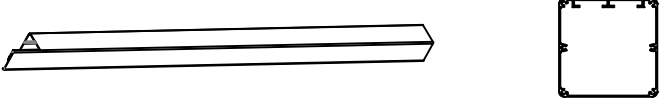
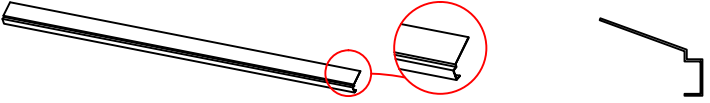




Item	Drawings	Qty
1B-01		4
1B-02		1
1B-02-2		1
1B-03		1
1B-03-2		1
1B-04		2
1B-05		2
1B-05-2		4
1B-06		42





Item	Drawings	Qty
1B-08A		1
1B-08B		1
1B-08C		1
1B-08D		1
1B-09		4
1B-27		2
1B-29		4





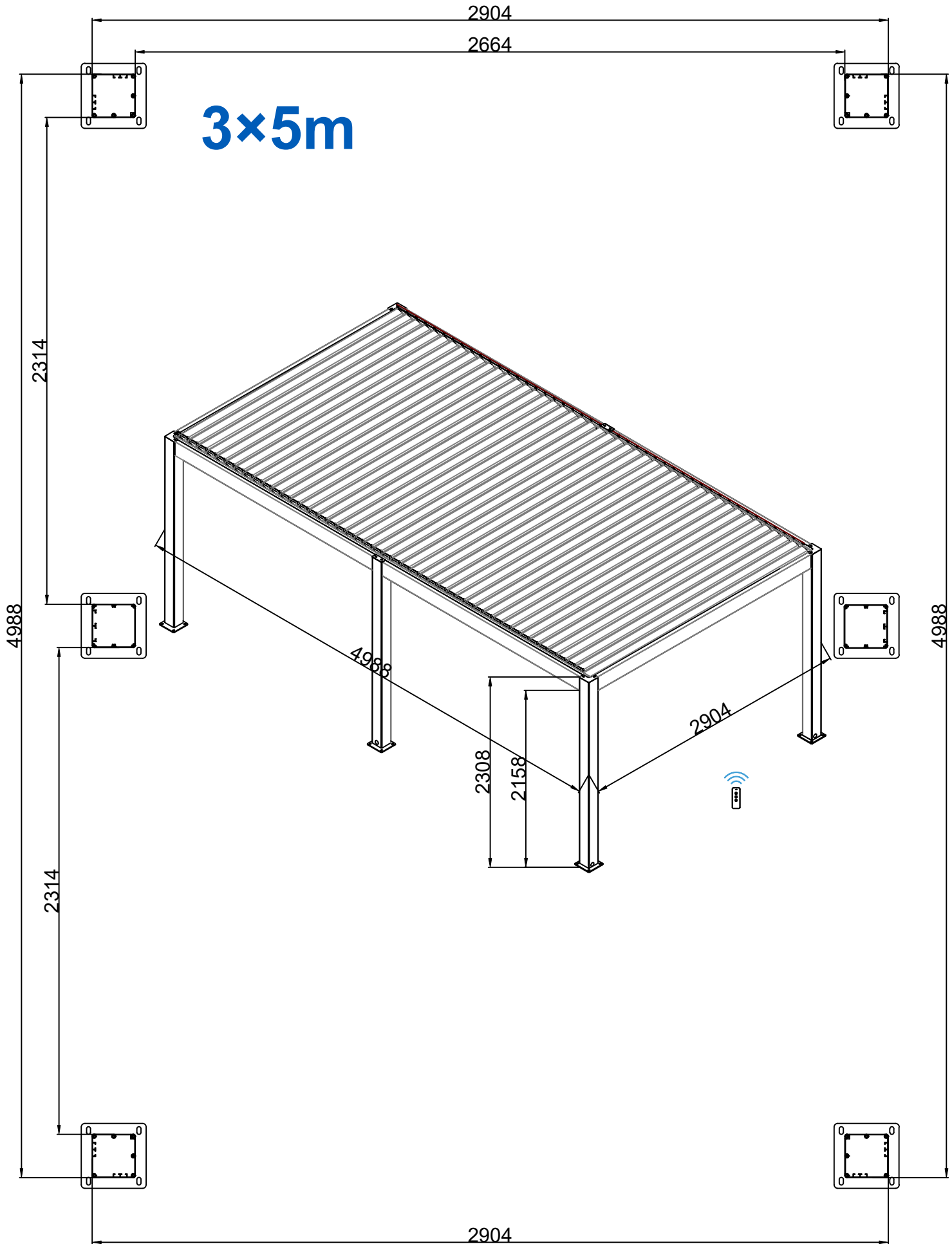
Item	Drawings	Qty
1B-11		4
1B-12		4
1B-13		4
1B-13B		2
1B-14		2
1B-15		2
1B-18		1
1B-19	 M8*20	18+
1B-20		84+
1B-21	 M10*80	24+
1B-22	 M5.5*50	36+
1B-23	 M4.2*19	22+
1B-67	 M4.2*50	20+

Item	Drawings	Qty
1B-24		1
1B-26		2
1B-32		2
1B-33		2
1B-48		40+
1B-49		42+
1B-50		2
1B-51	 M3.5*25	168+
1B-45	 M8*12	8
1B-46	 $\Phi 12$ -M8*12 ⁸	8
1B-63		4
1B-30		2
1B-31		2





3×5m

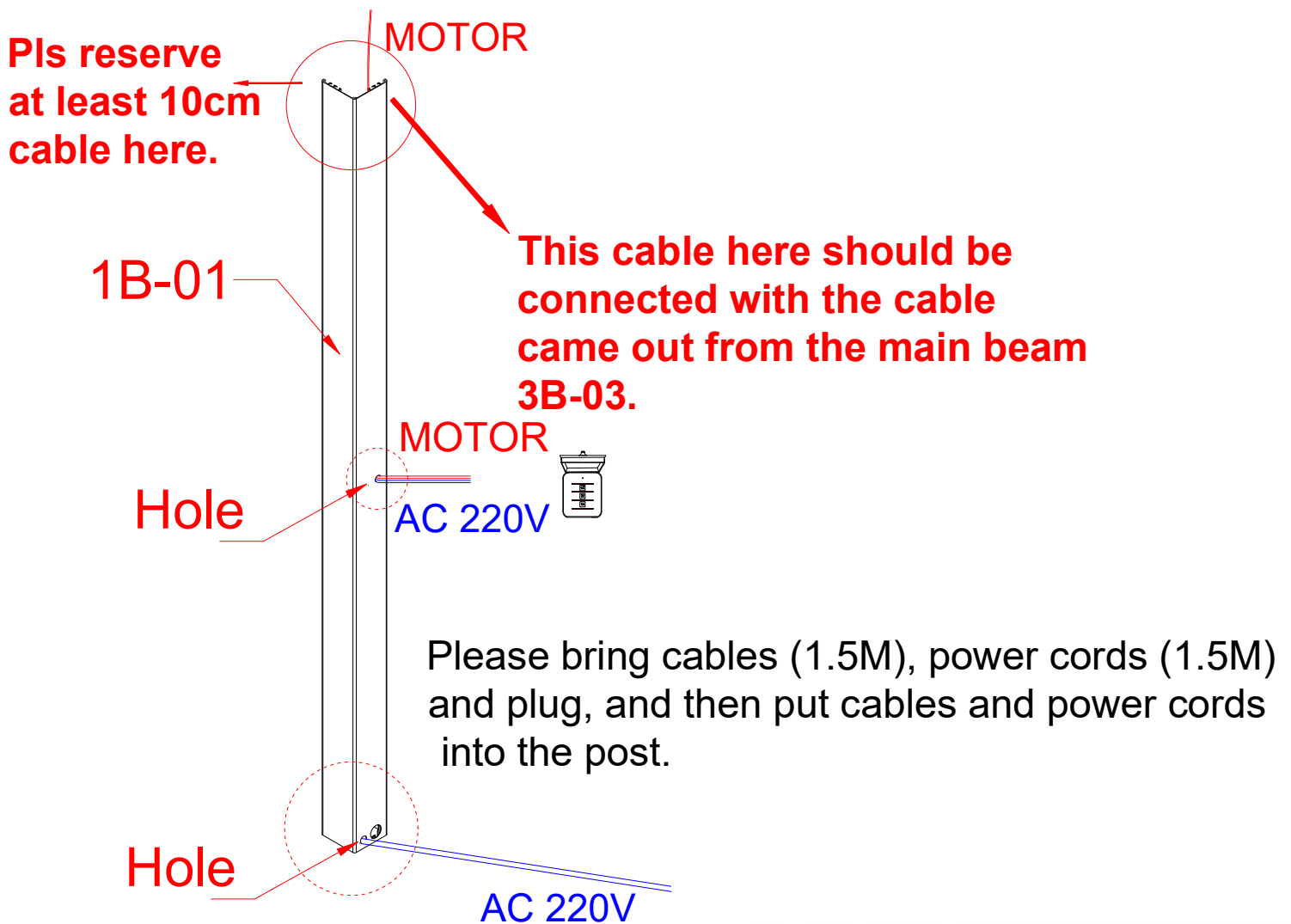
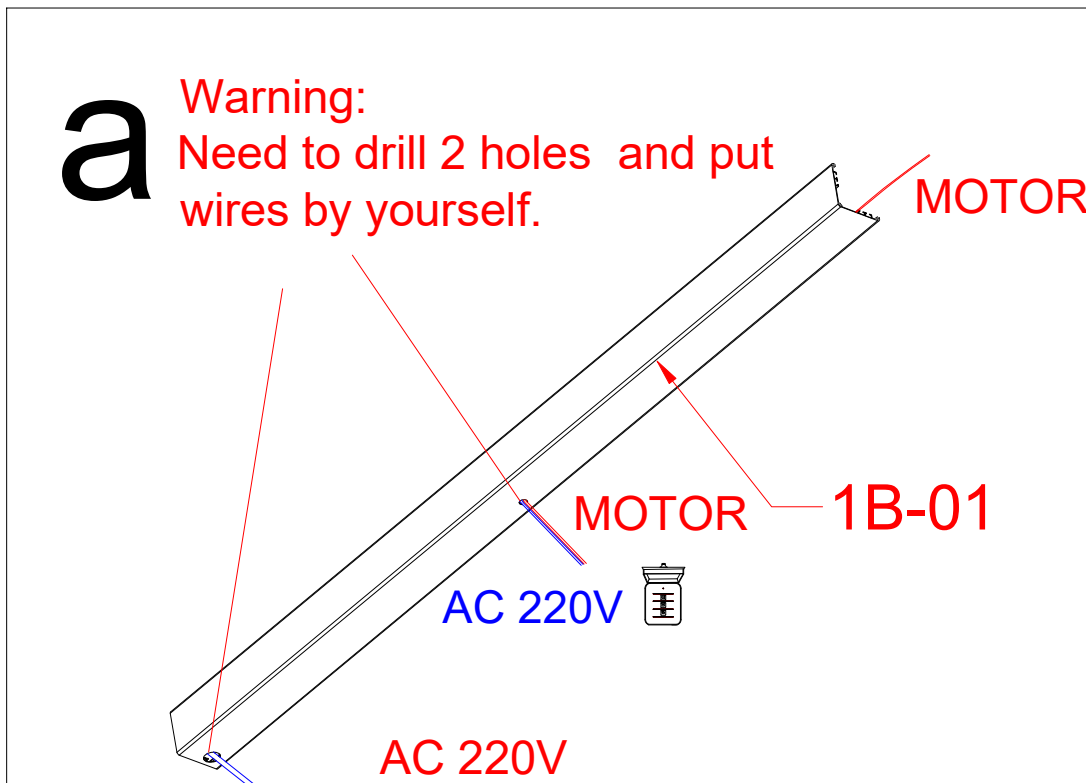


3×5-5



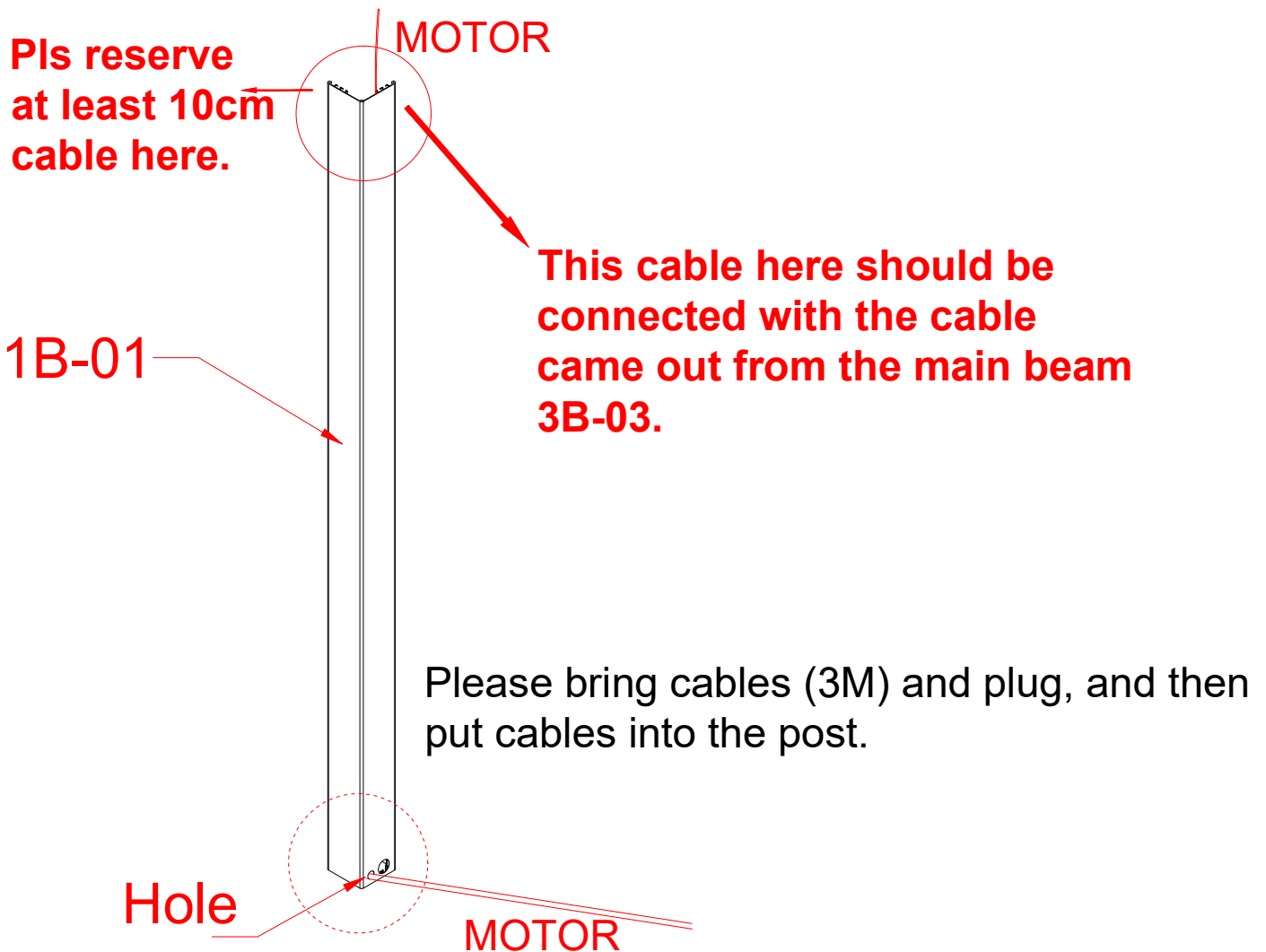
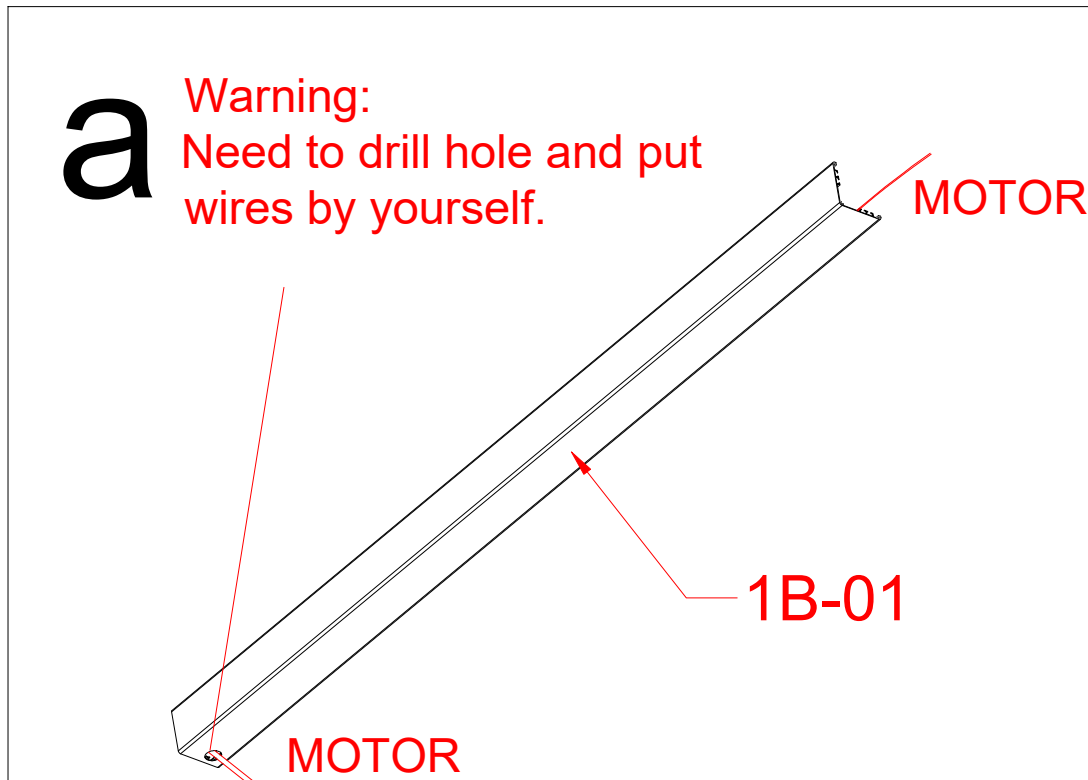


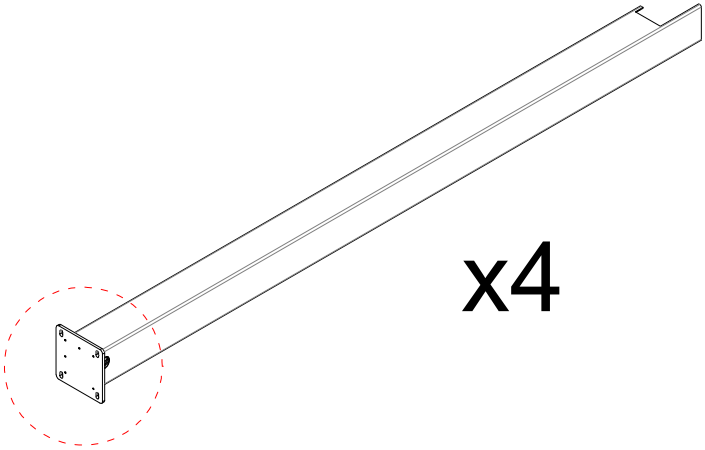
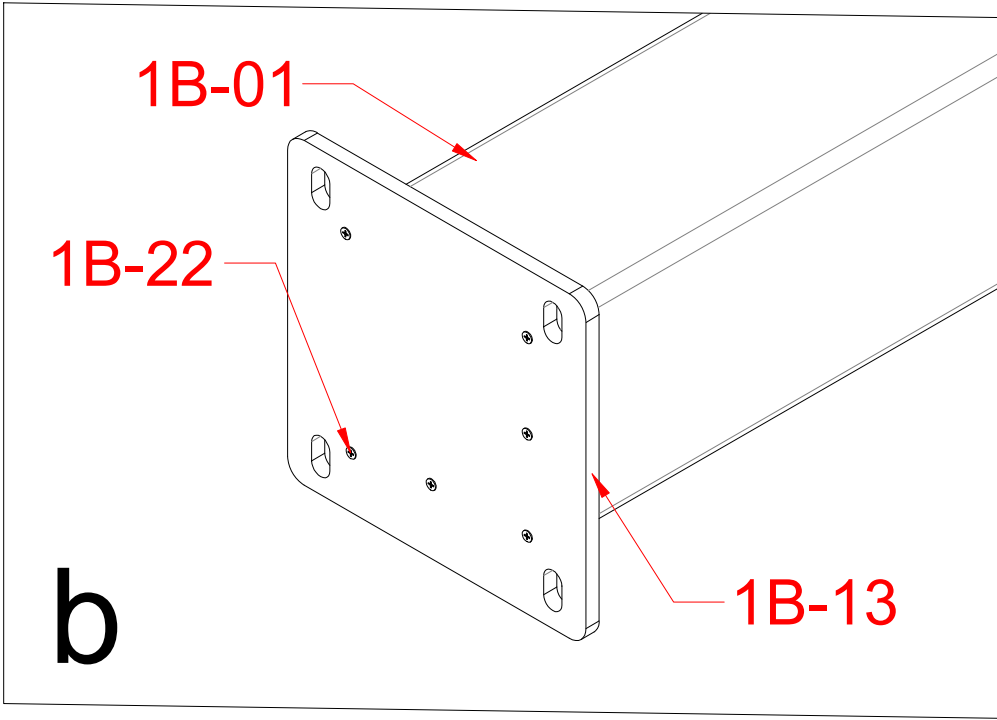
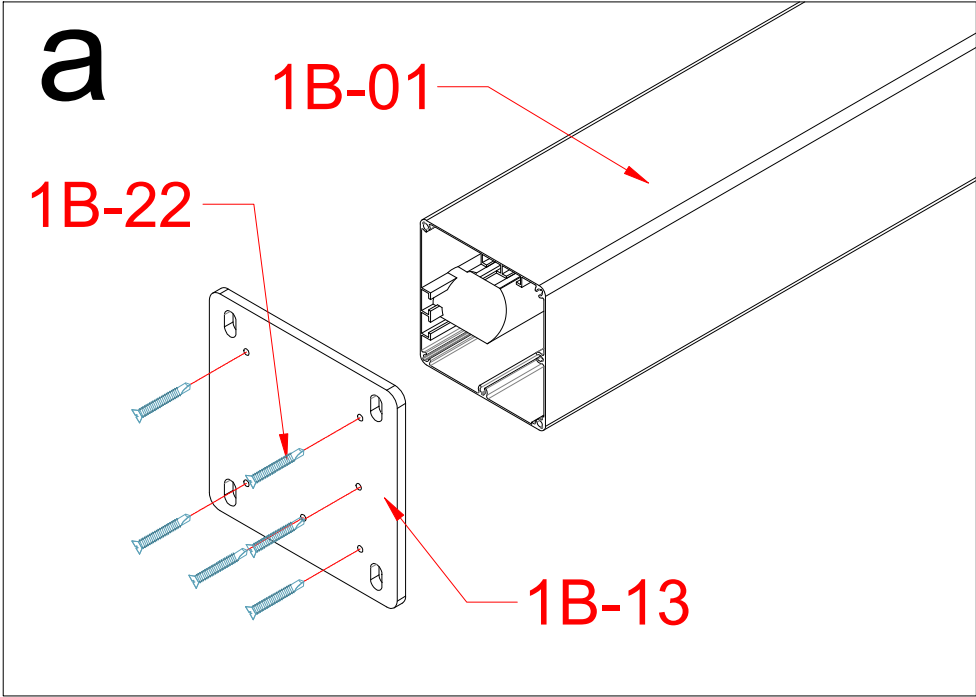
Motor Wires Diagram - The control box is on the post





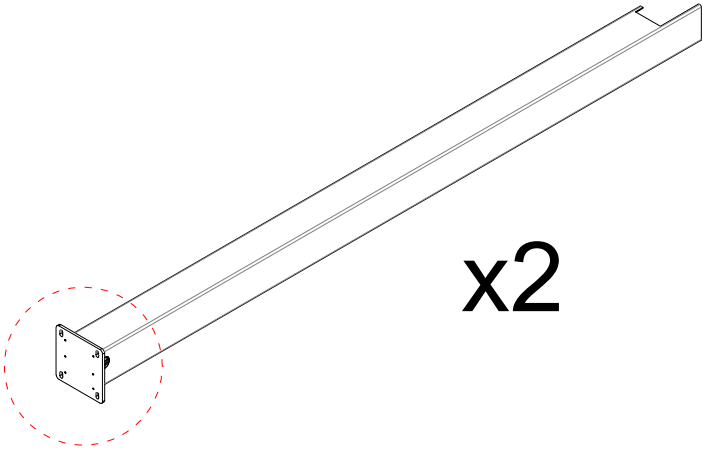
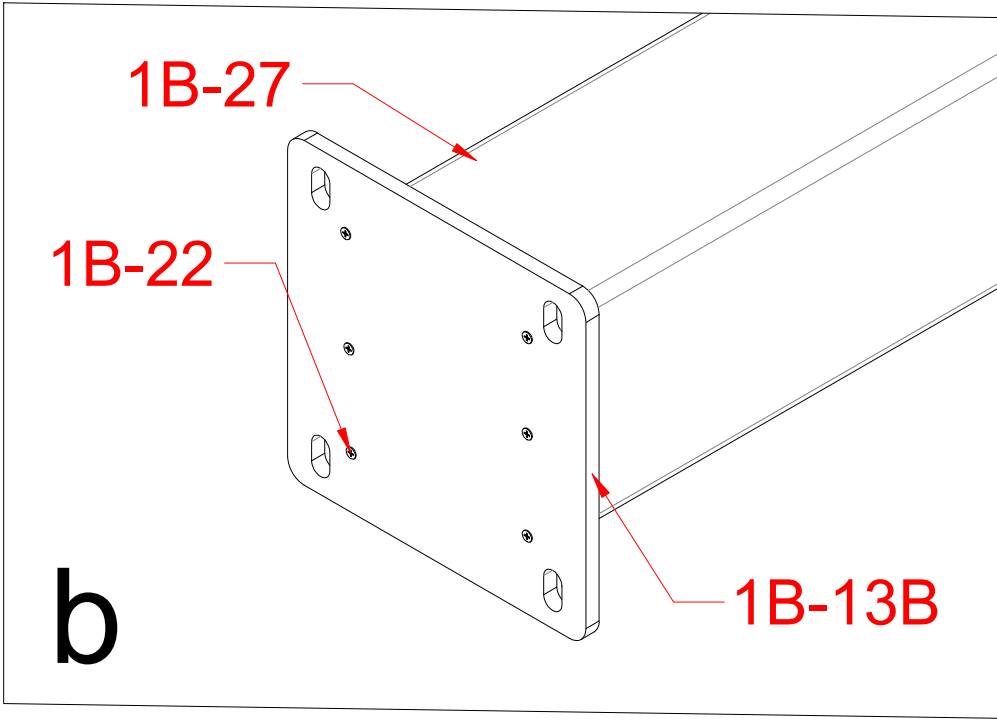
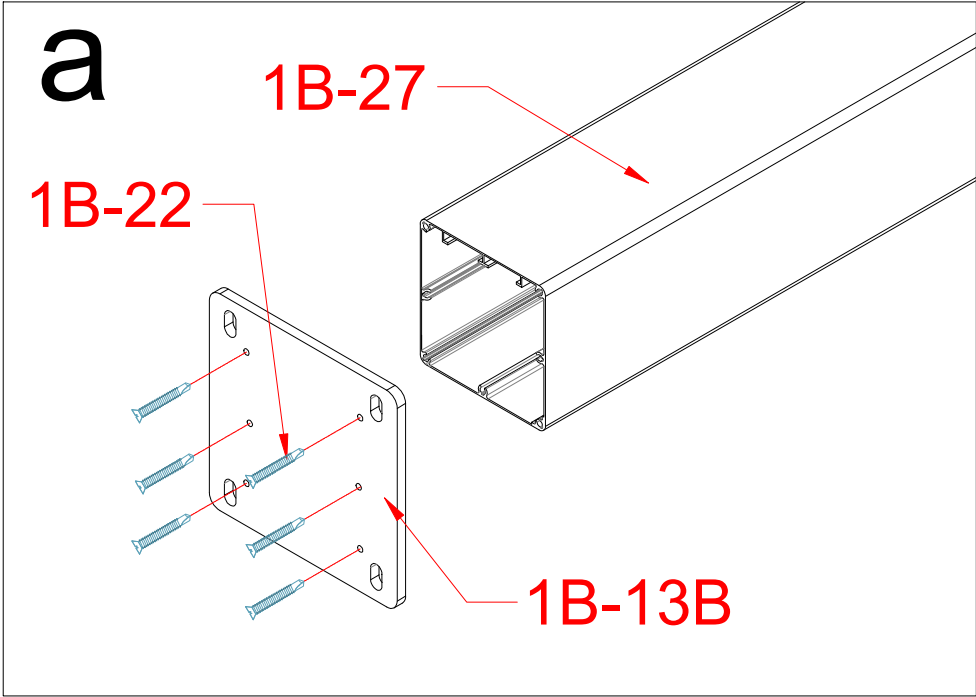
Motor Wires Diagram - The control box is not on the post





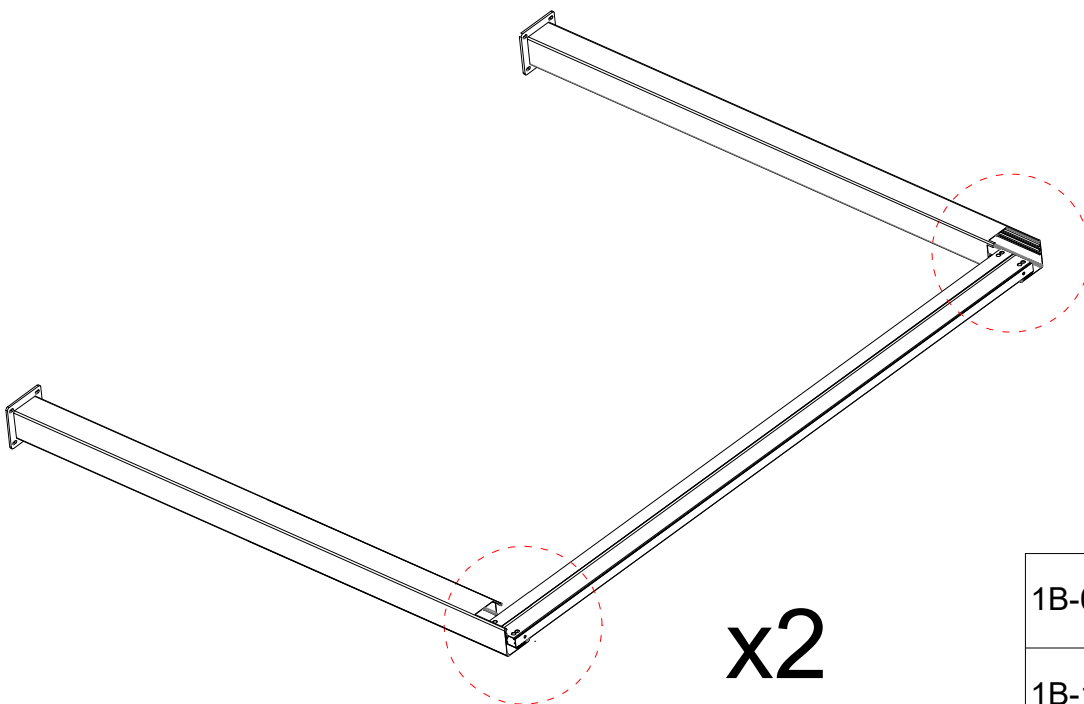
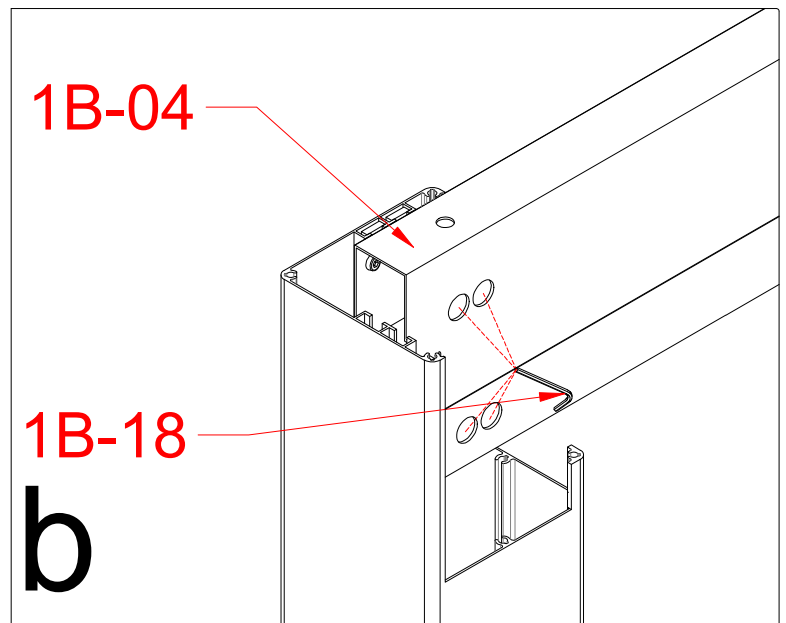
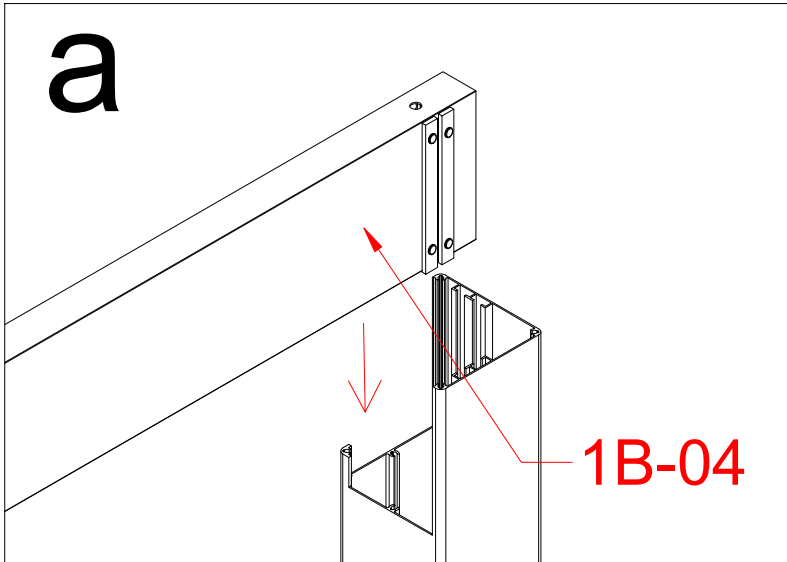
1B-01			4
1B-13			4
1B-22			24





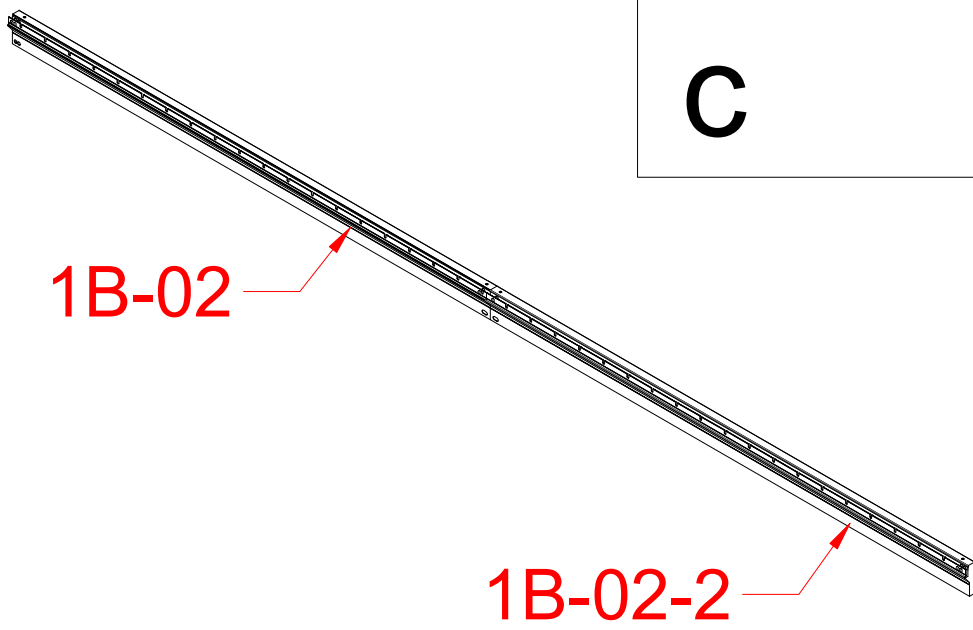
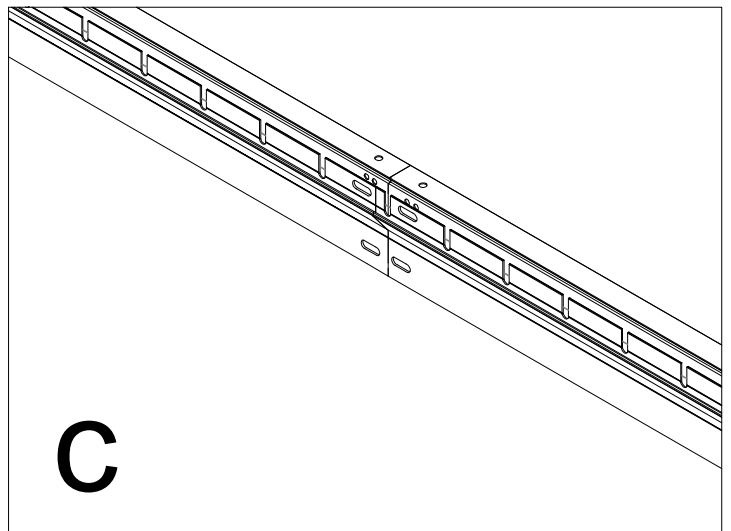
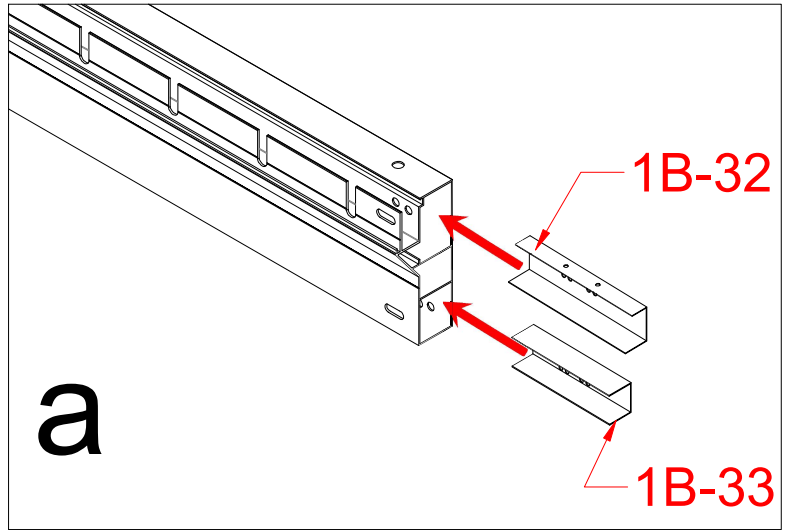
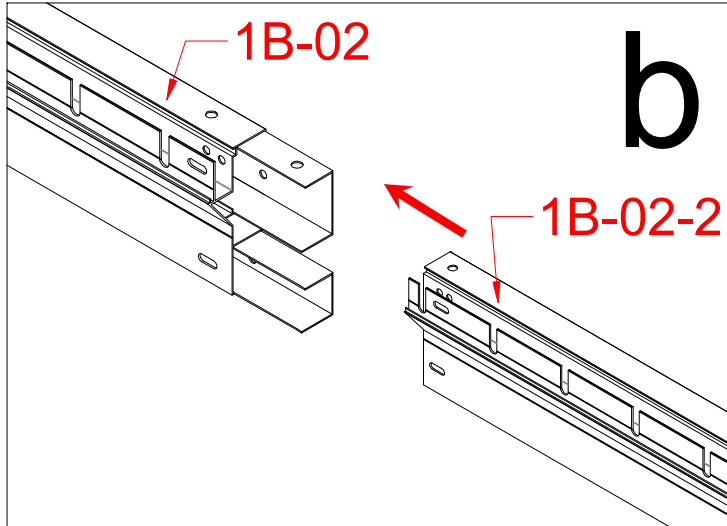
1B-27		2
1B-13B		2
1B-22		12





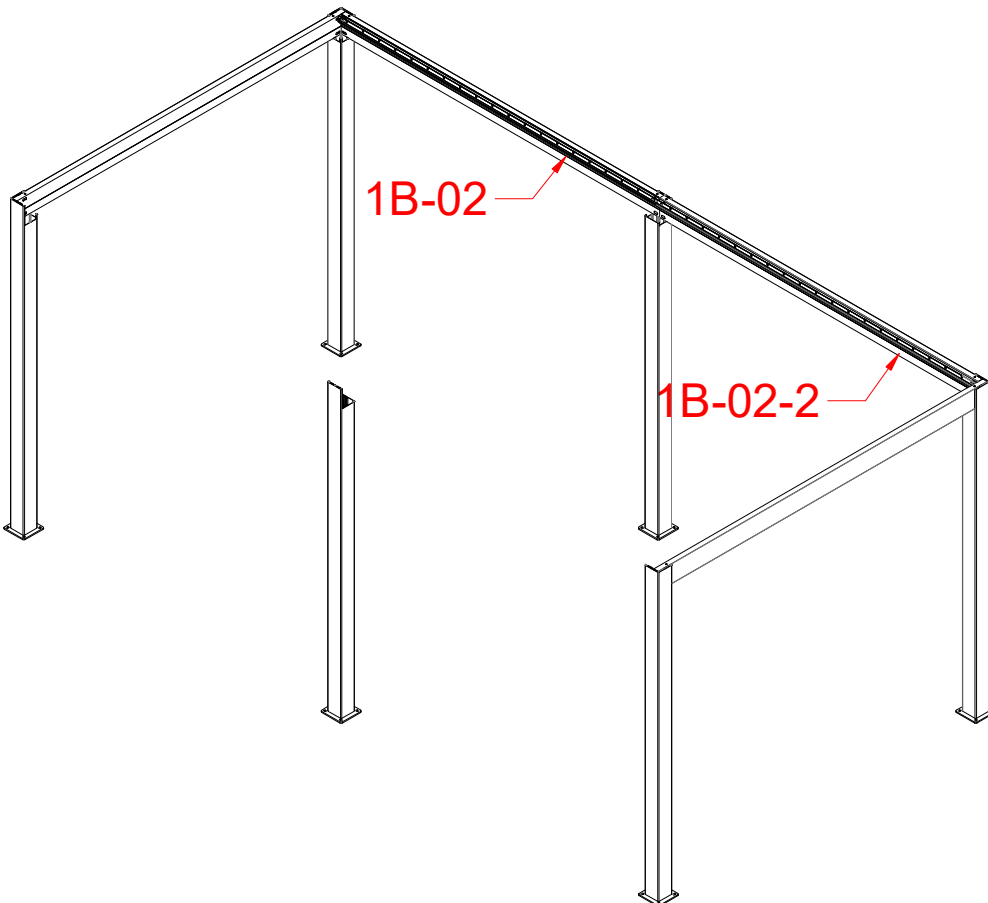
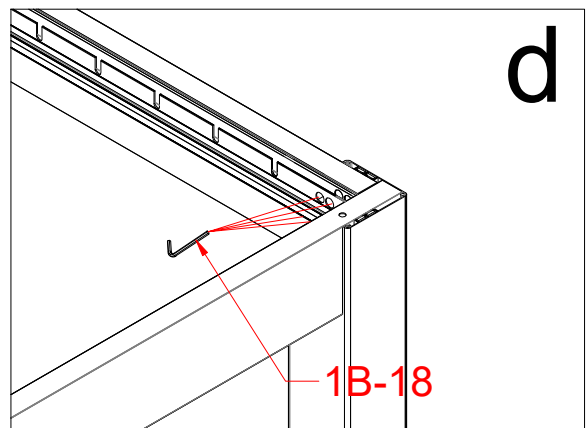
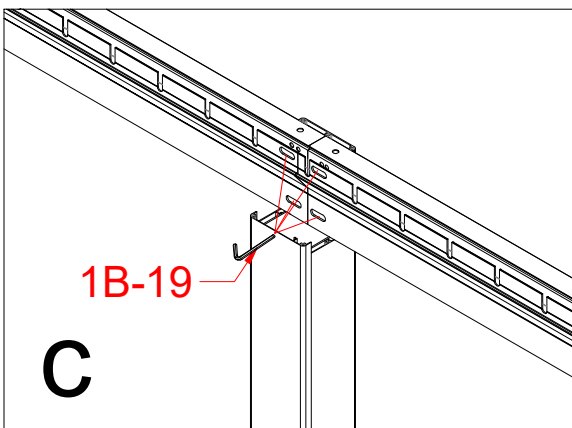
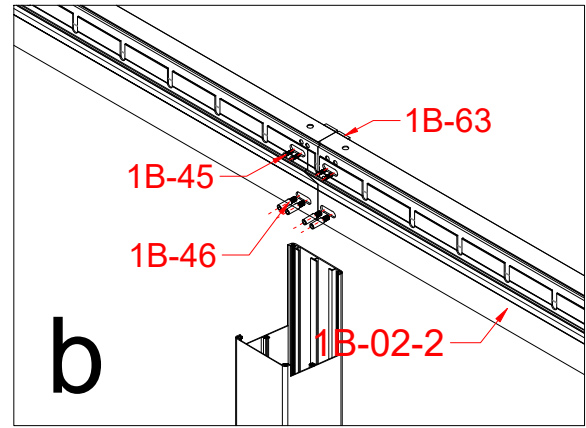
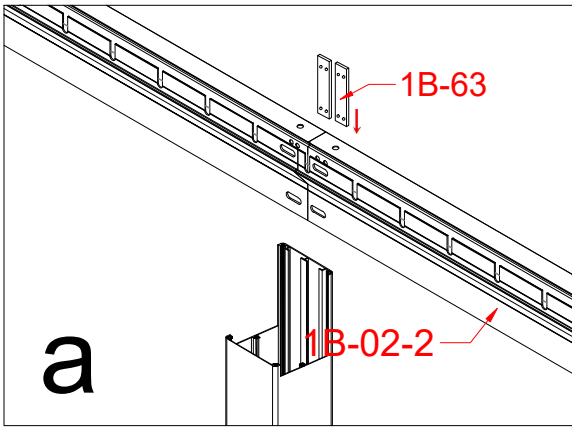
1B-04		2
1B-18		1





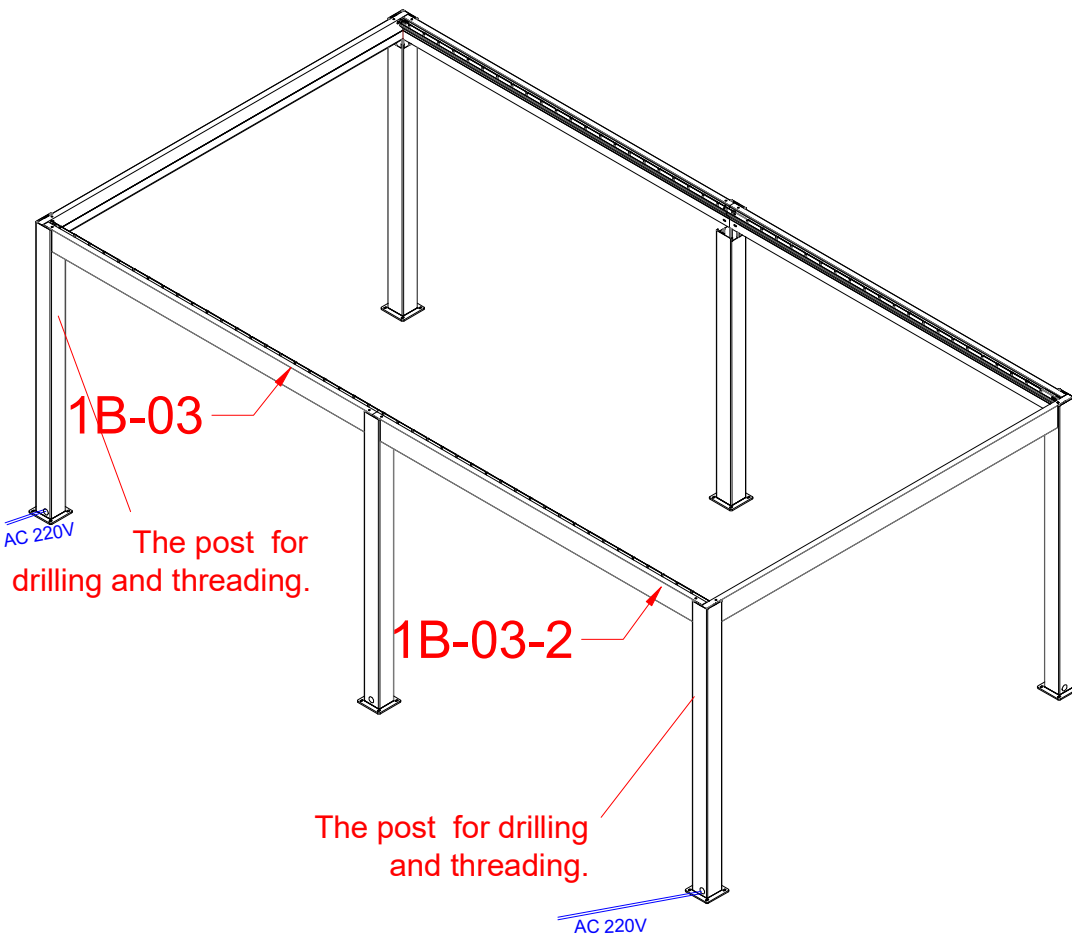
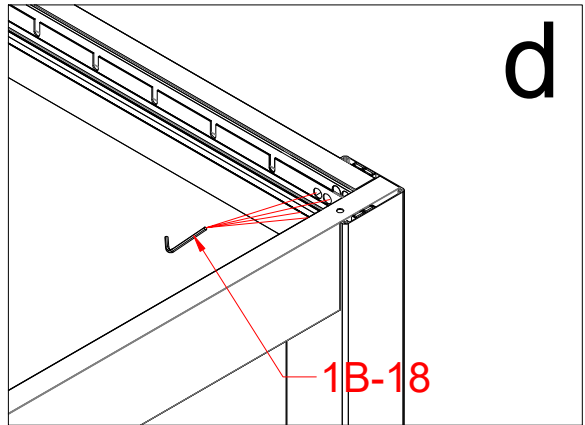
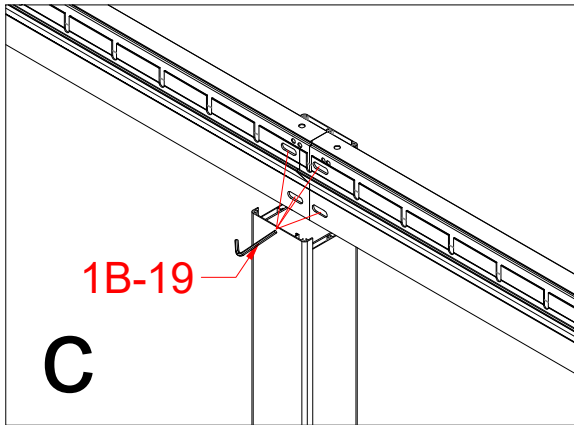
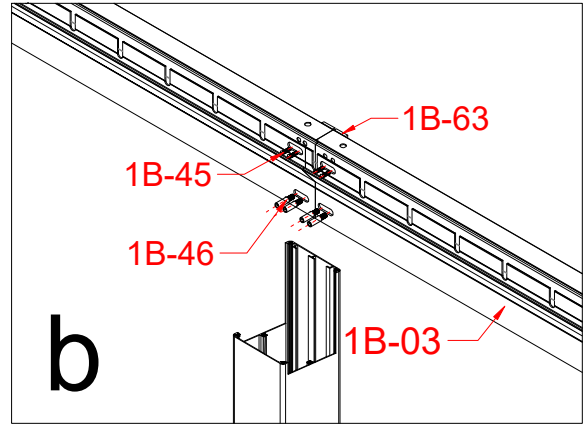
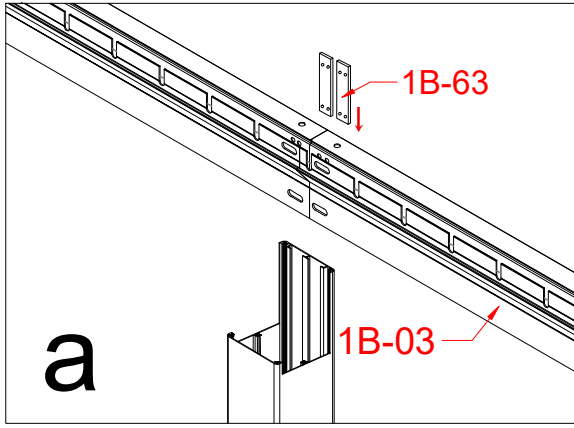
1B-02		1
1B-02-2		1
1B-32		1
1B-33		1



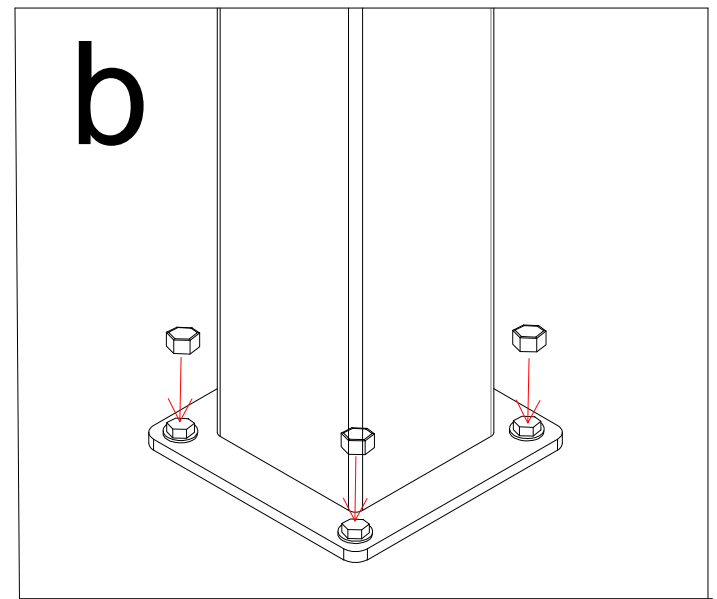
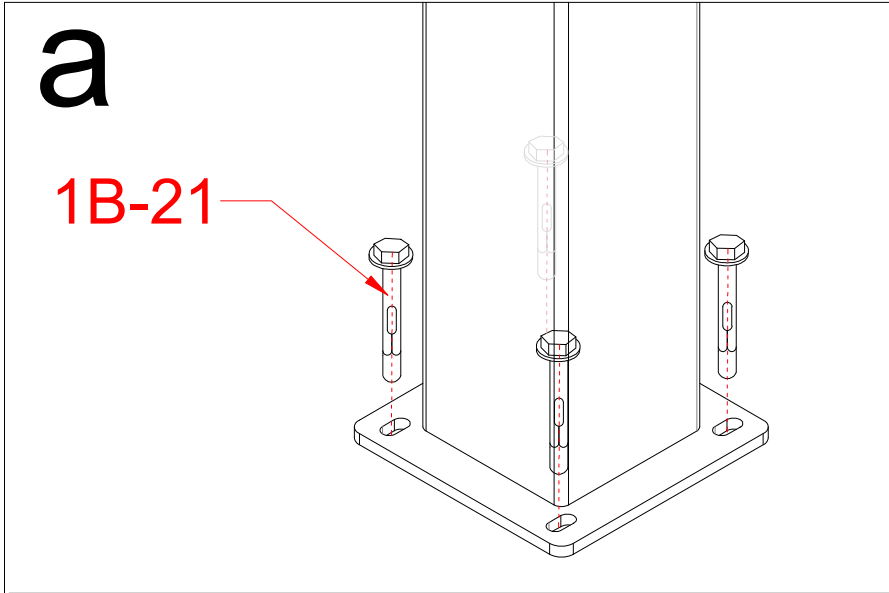


1B-63		2
1B-46		4
1B-18		1
1B-45		4

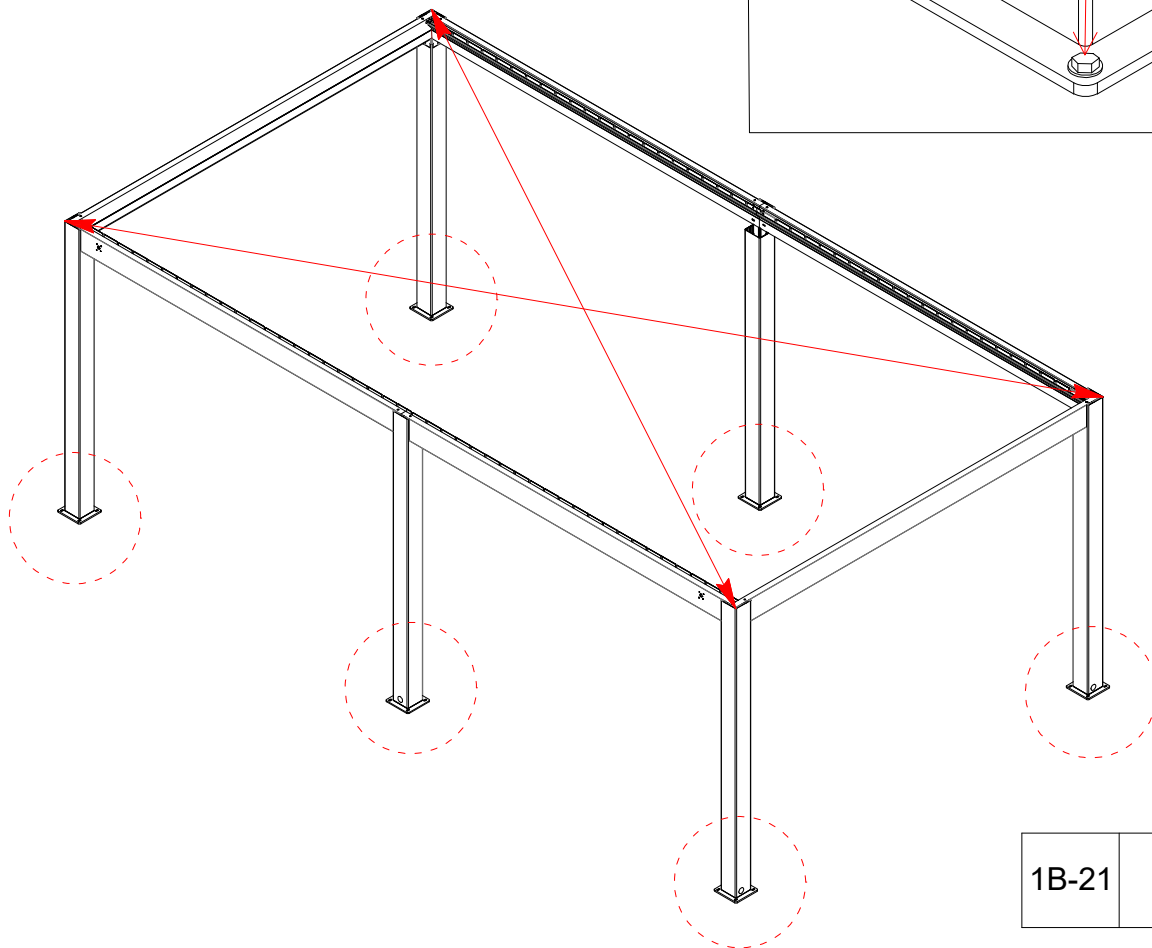


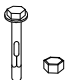


1B-63		2
1B-46		4
1B-45		4
1B-03		1
1B-03-2		1

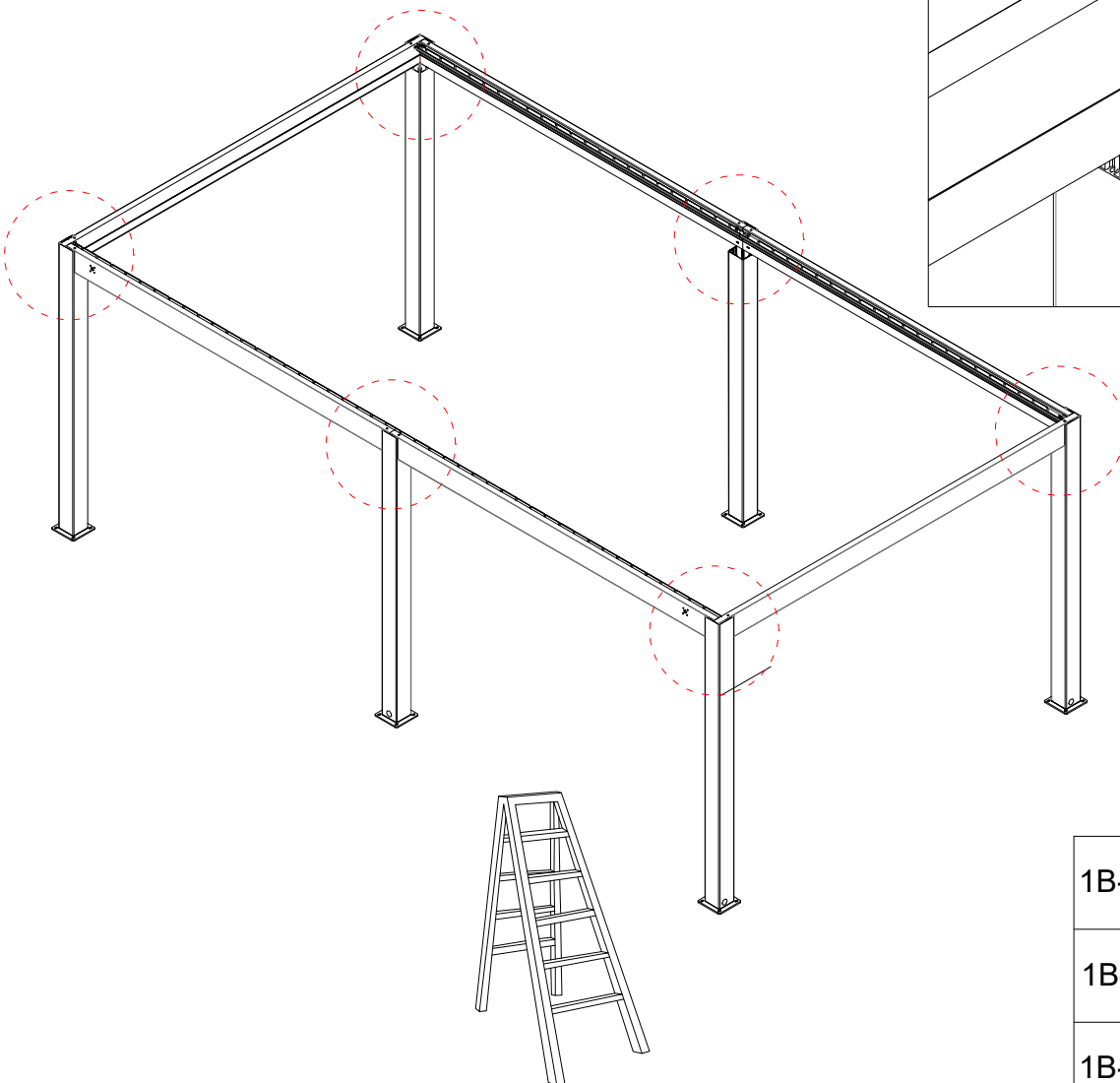
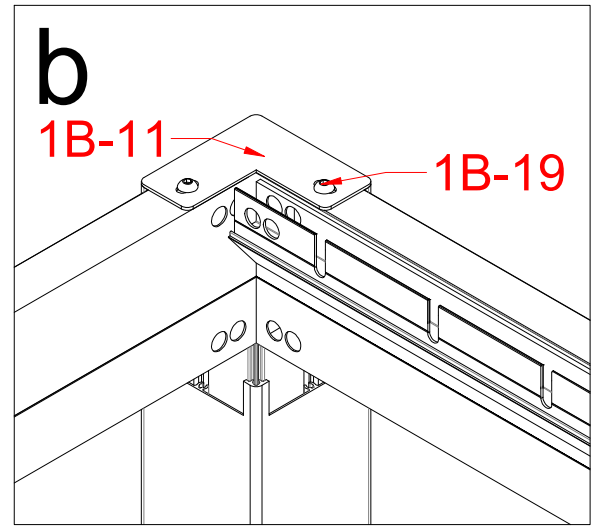
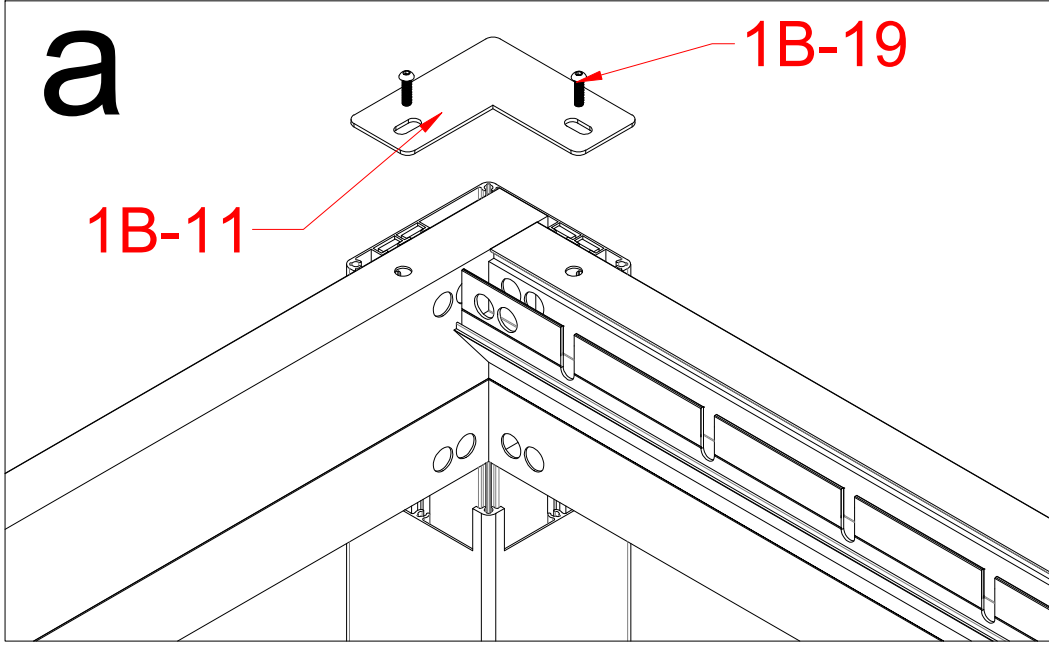


Pls measure the diagonal size and make sure the diagonal size keeps same before screw 1B-21 mounted. If not, pls adjust it to same size.



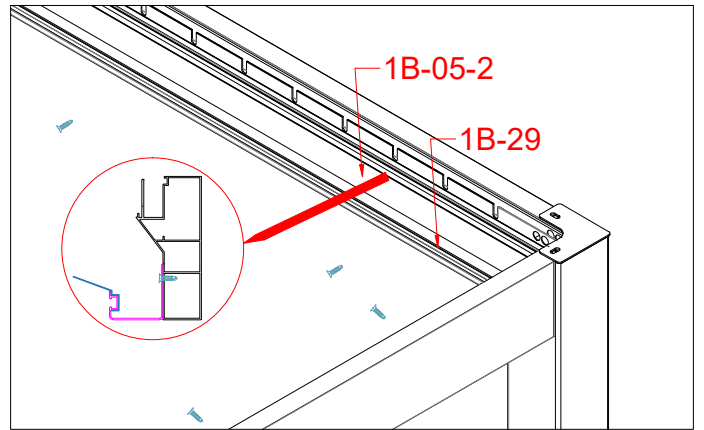
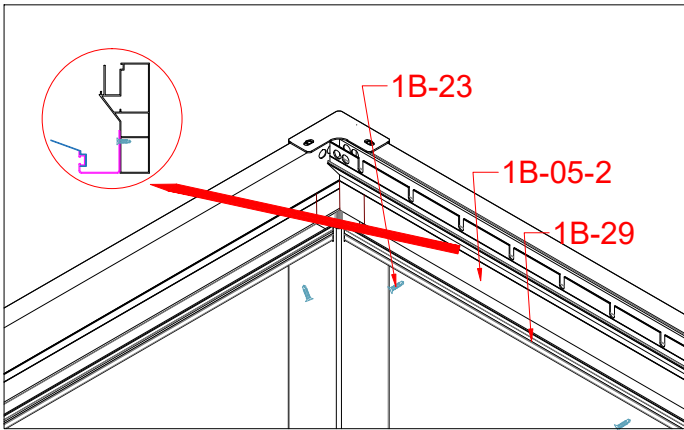
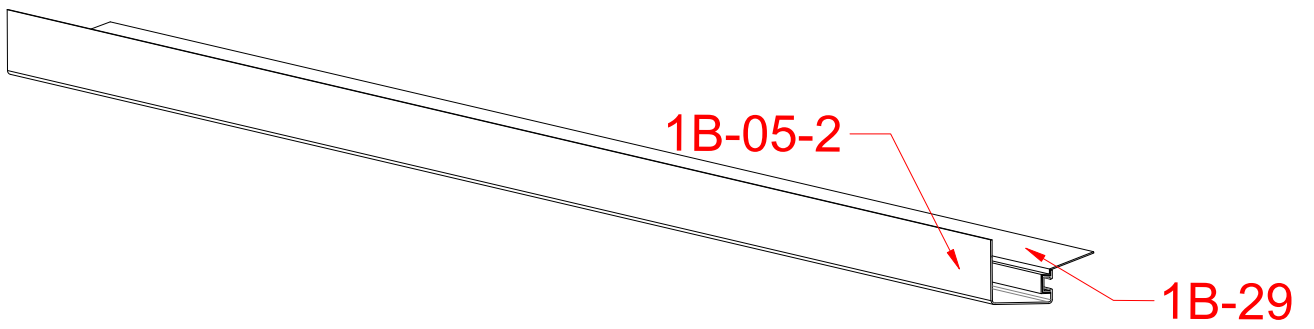
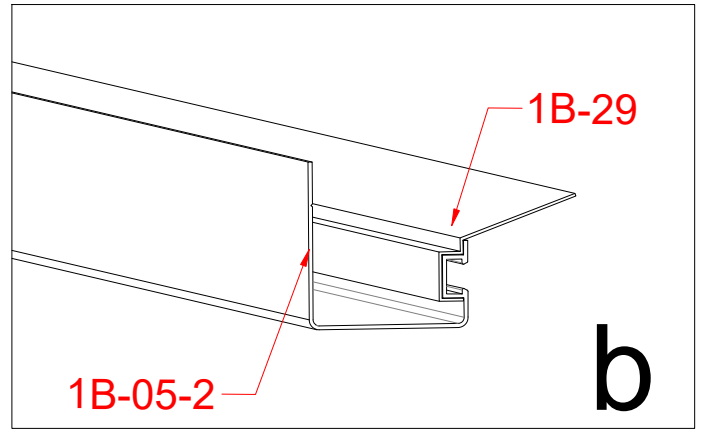
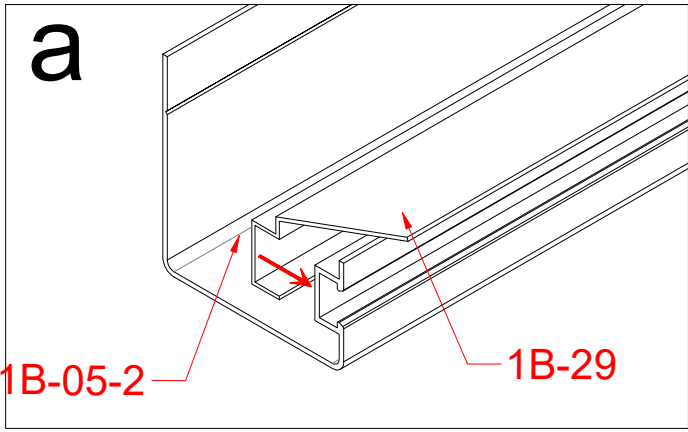
1B-21		24
-------	---	----








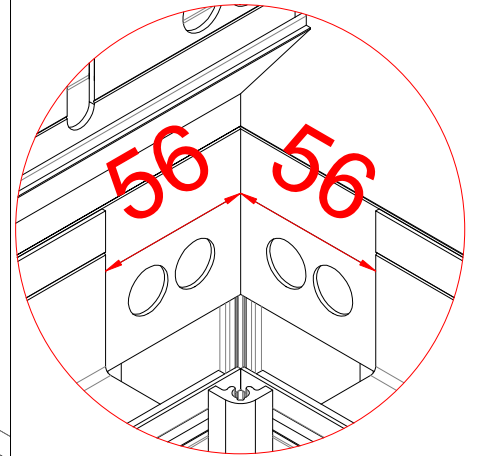
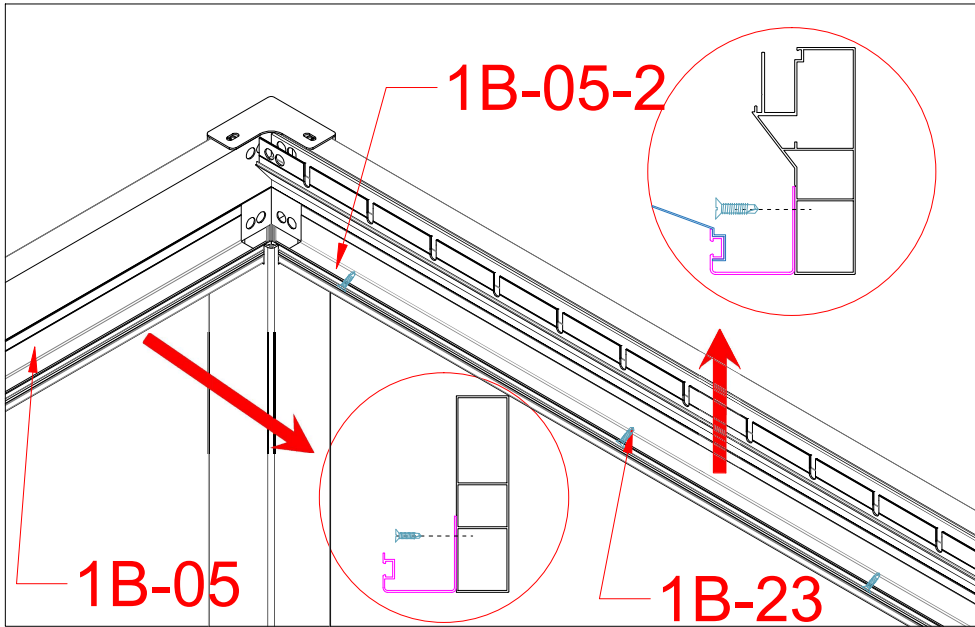
1B-26		2
1B-11		4
1B-19		12



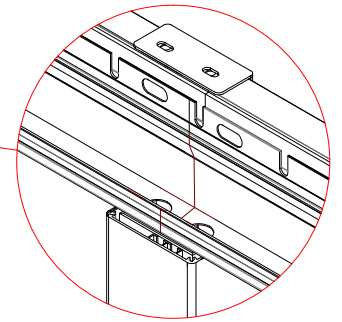
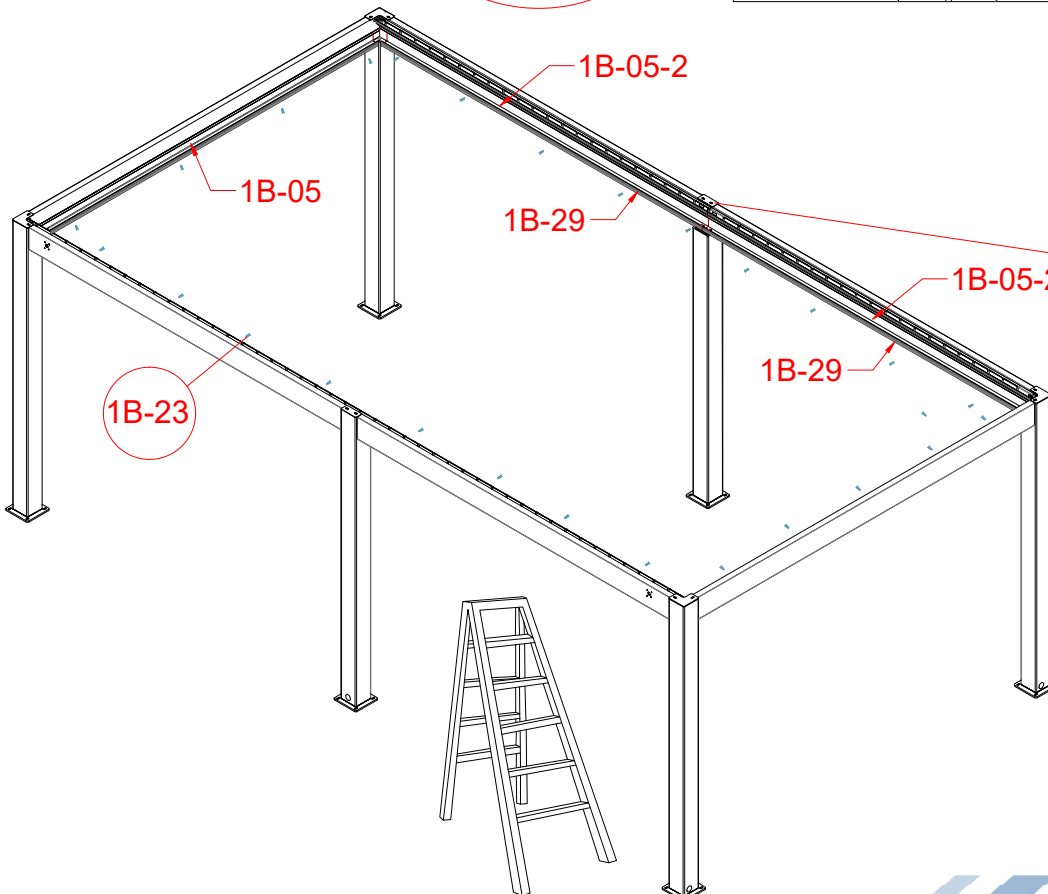
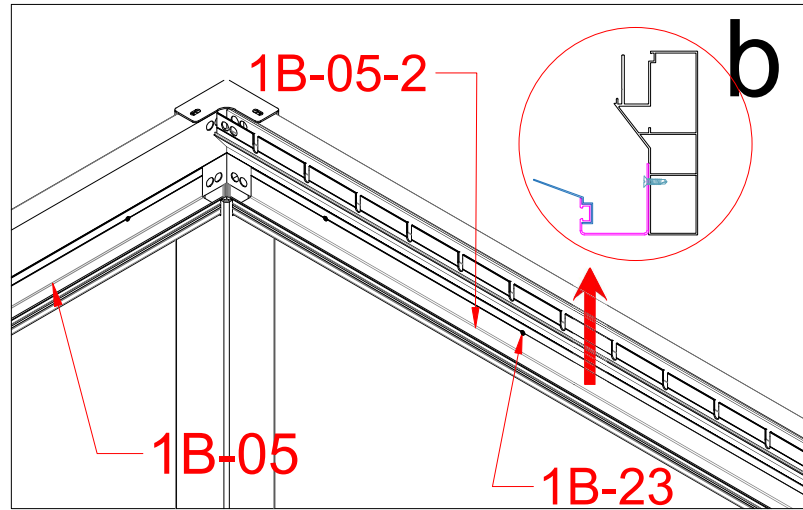
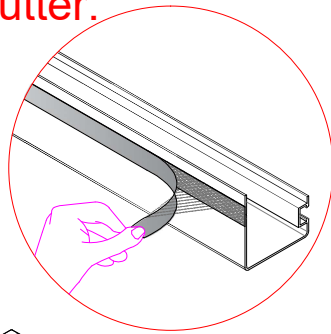



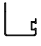

1B-23		12
1B-05-2		4
1B-29		4

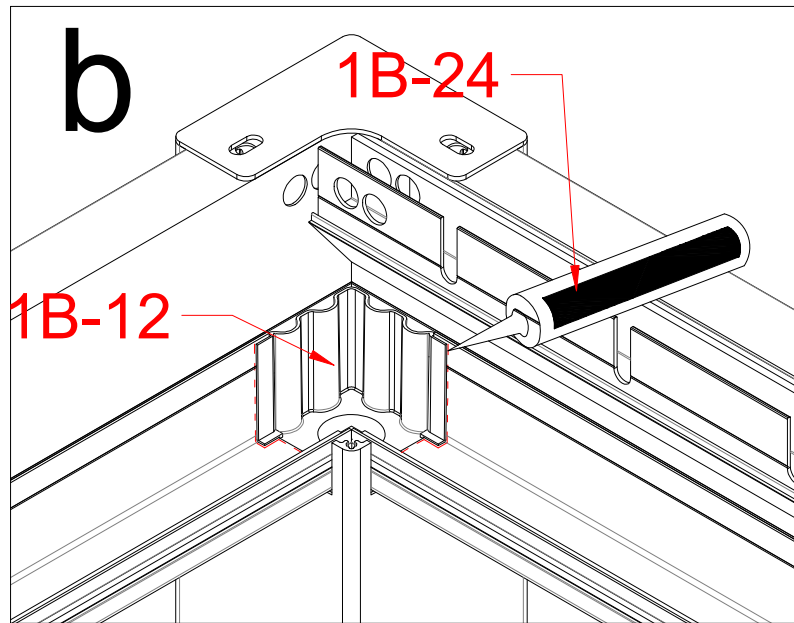
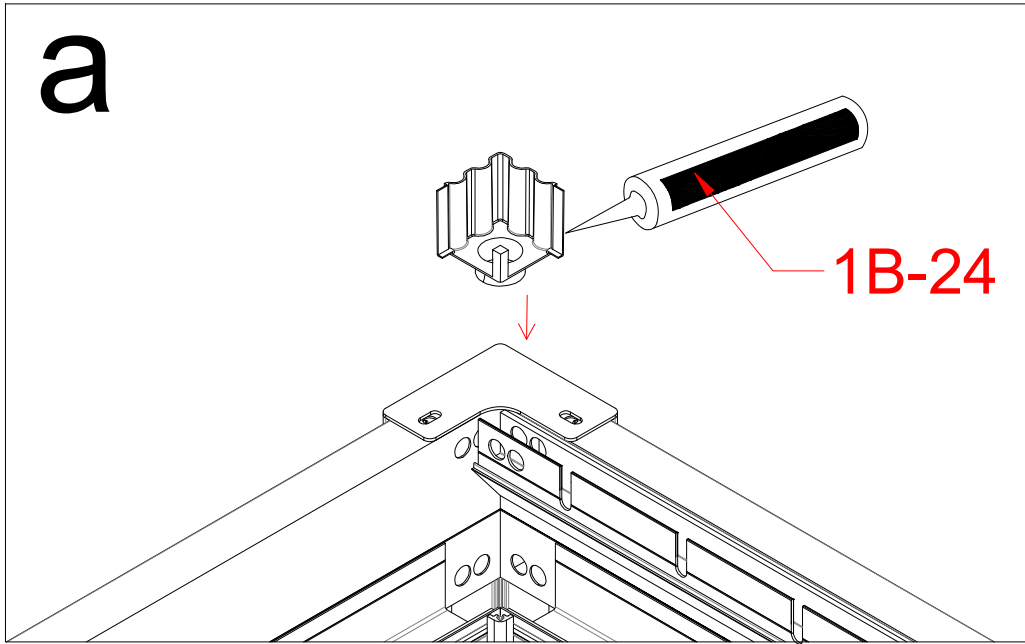




Warning:
Before installation, tear off the protective film of the tape on the back side of Gutter.

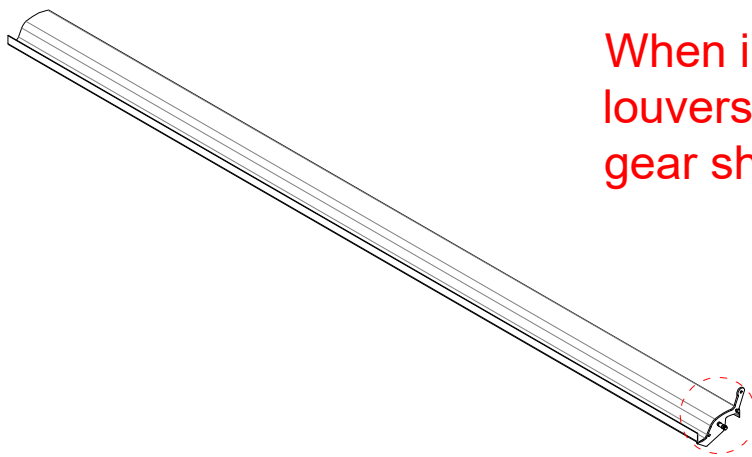
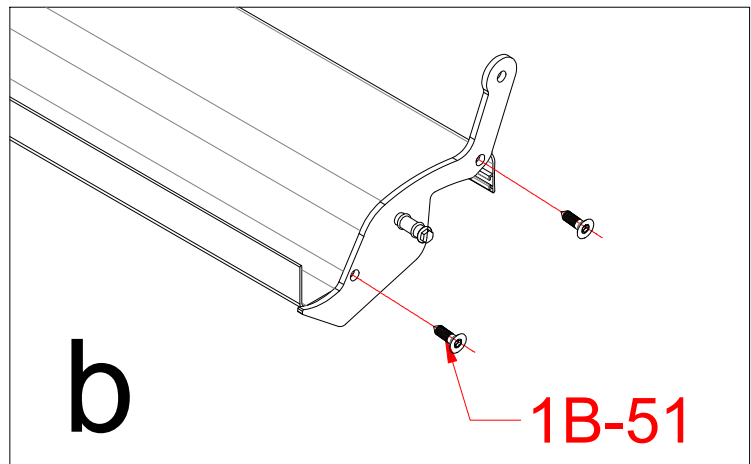
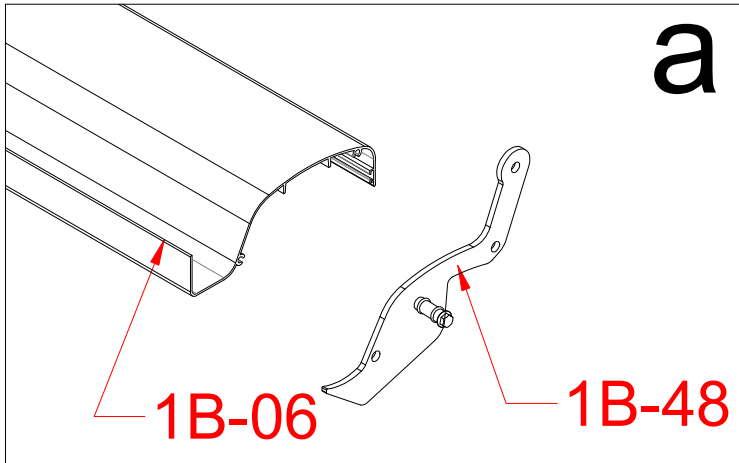


1B-05			2
1B-23			12


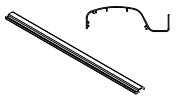



1B-24		1
1B-12		4

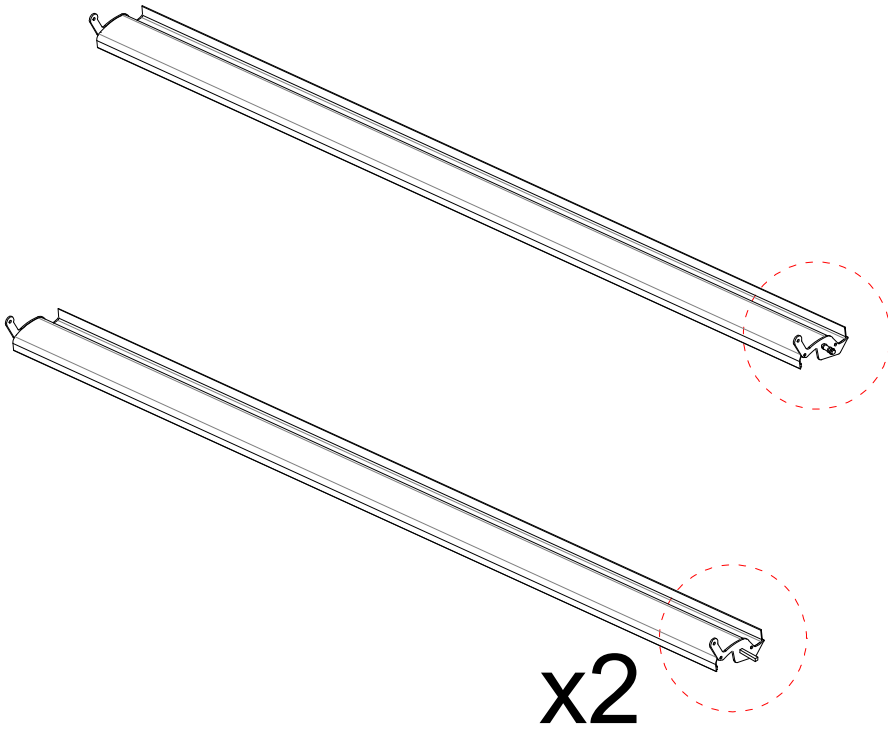
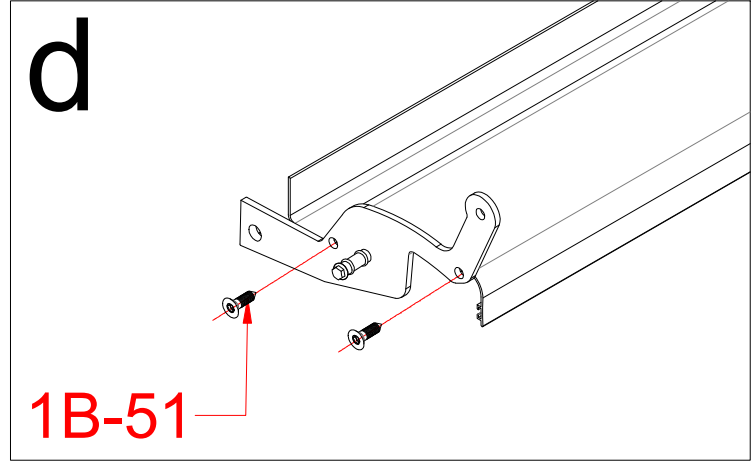
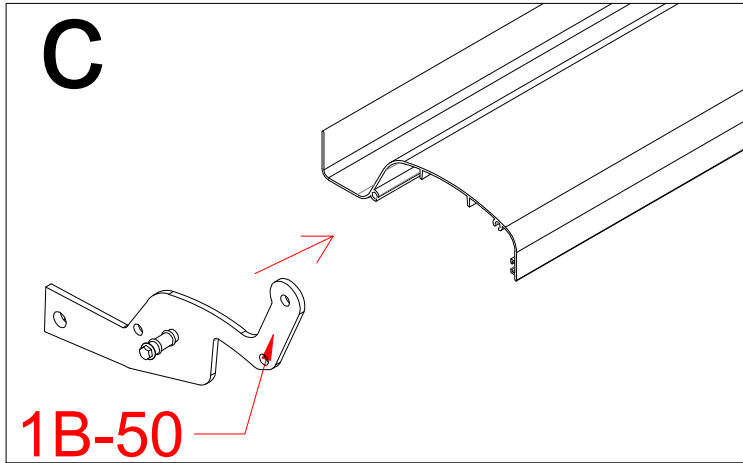
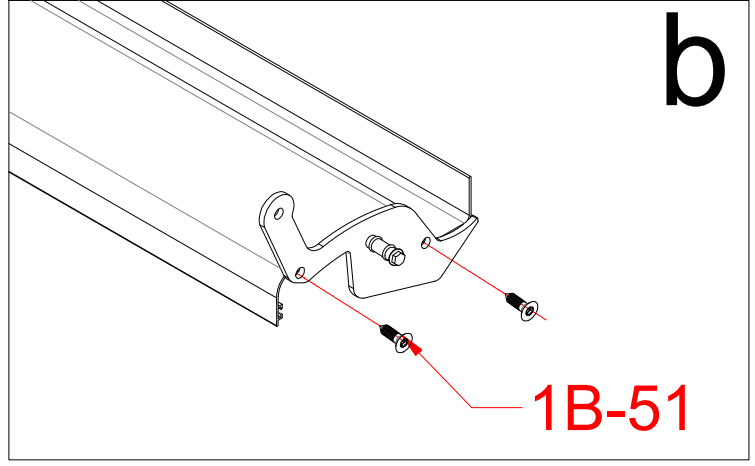
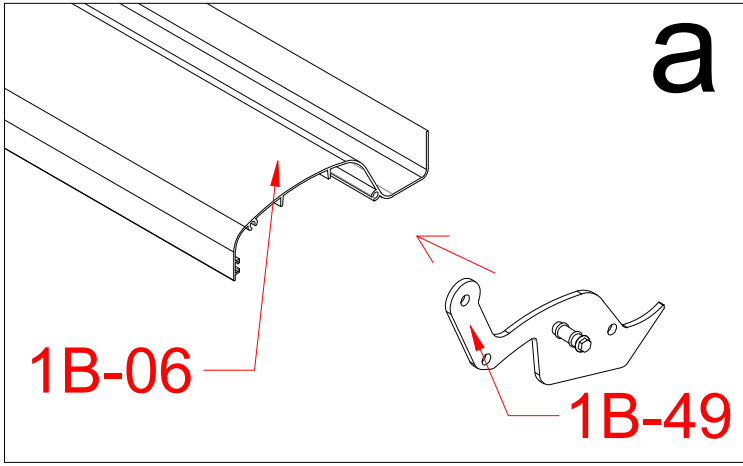




When installing the end cap for louvers, pls don't use the highest gear shift.

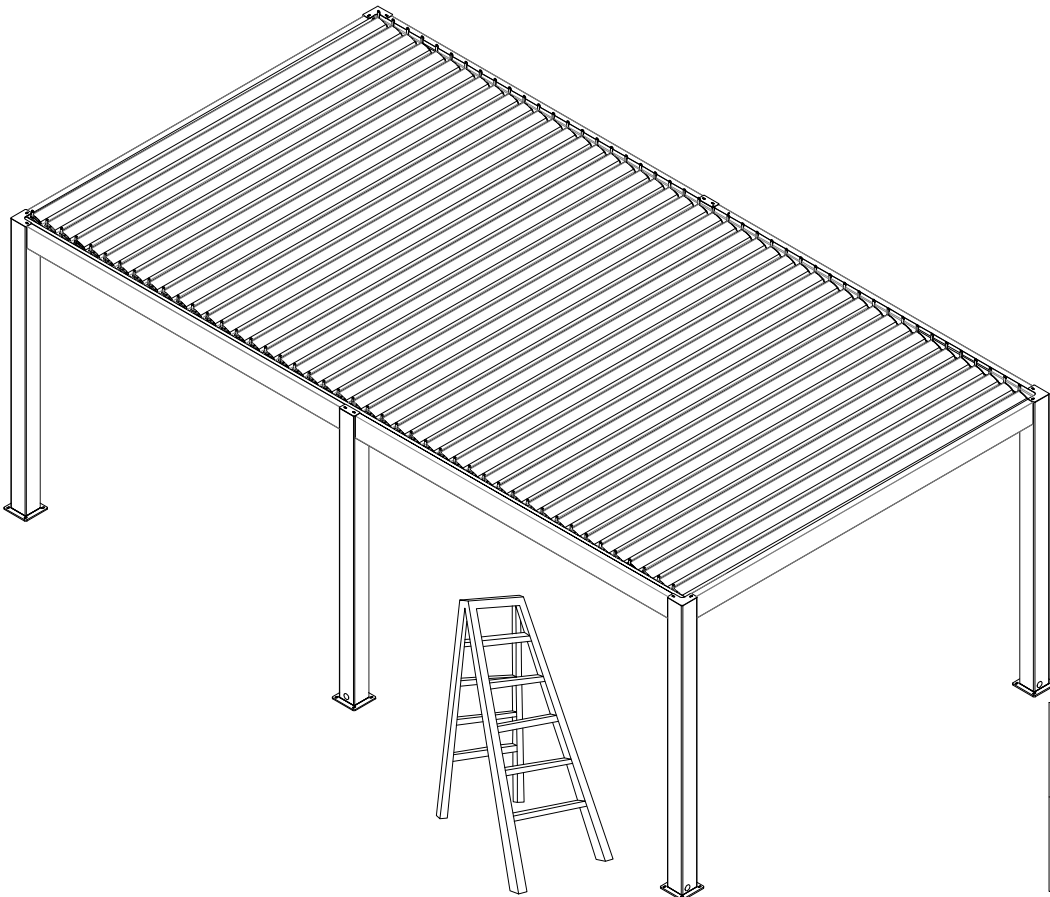
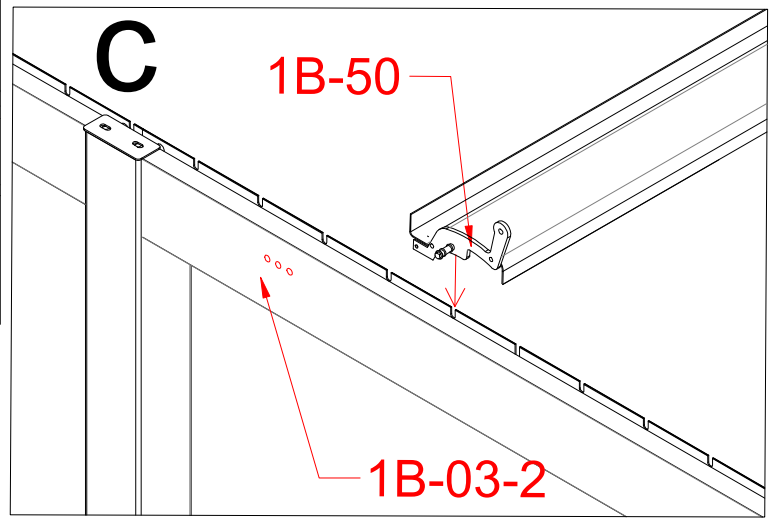
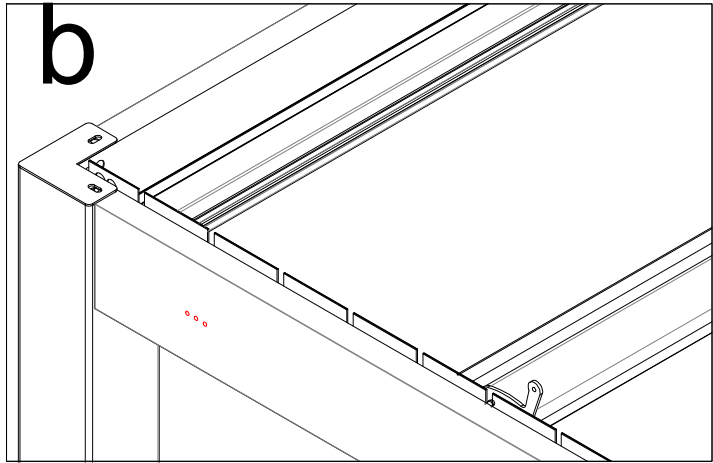
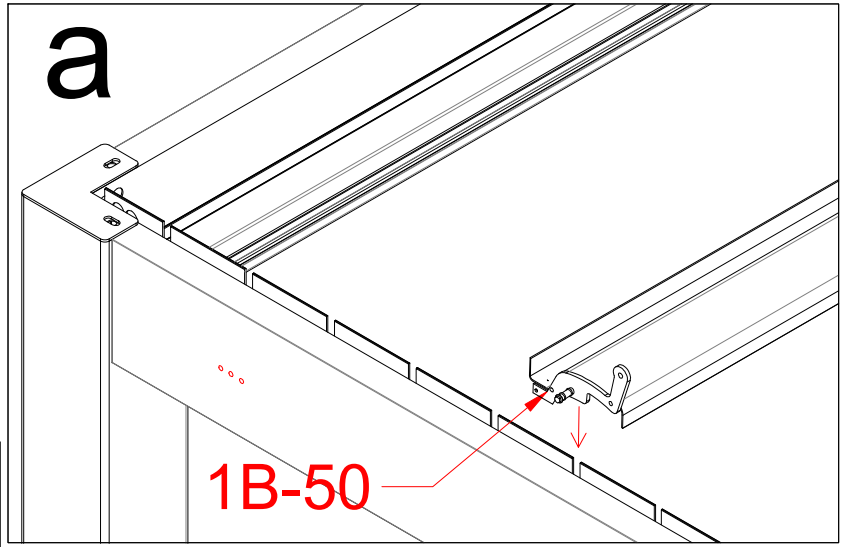
1B-51	 M3.5*25	X
1B-06		42
1B-48		40





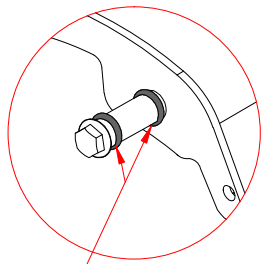
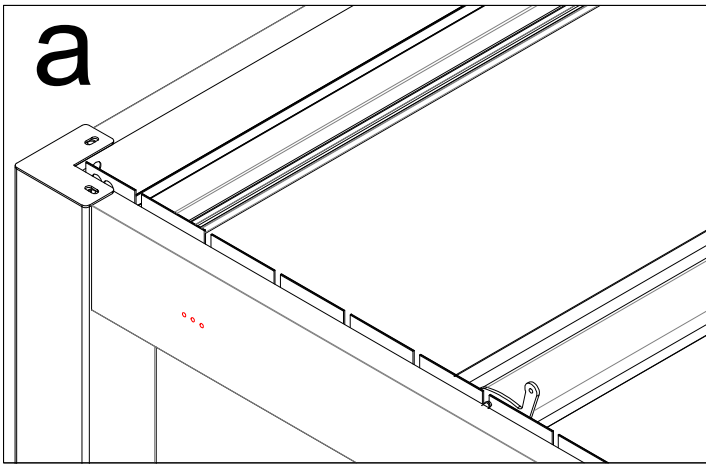
1B-64		1
1B-49		42
1B-50		2
1B-51	 M3.5*25	x



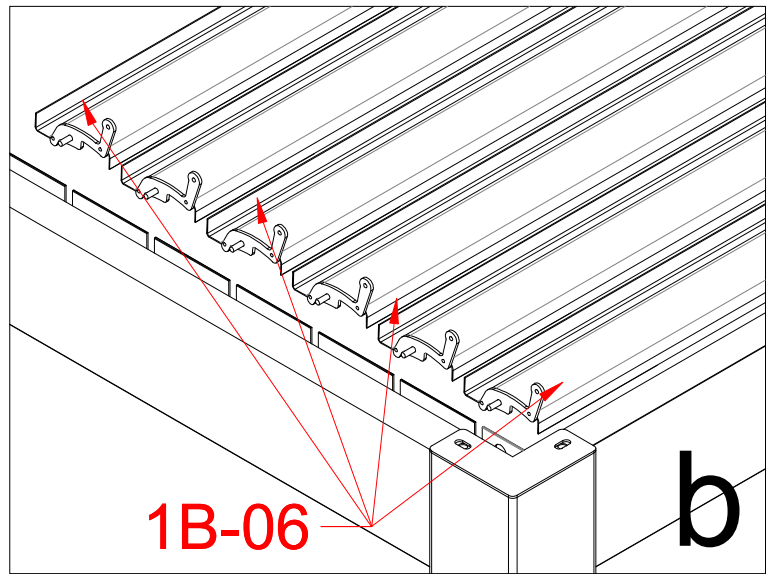


1B-50		2
1B-06		2

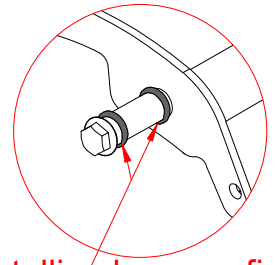




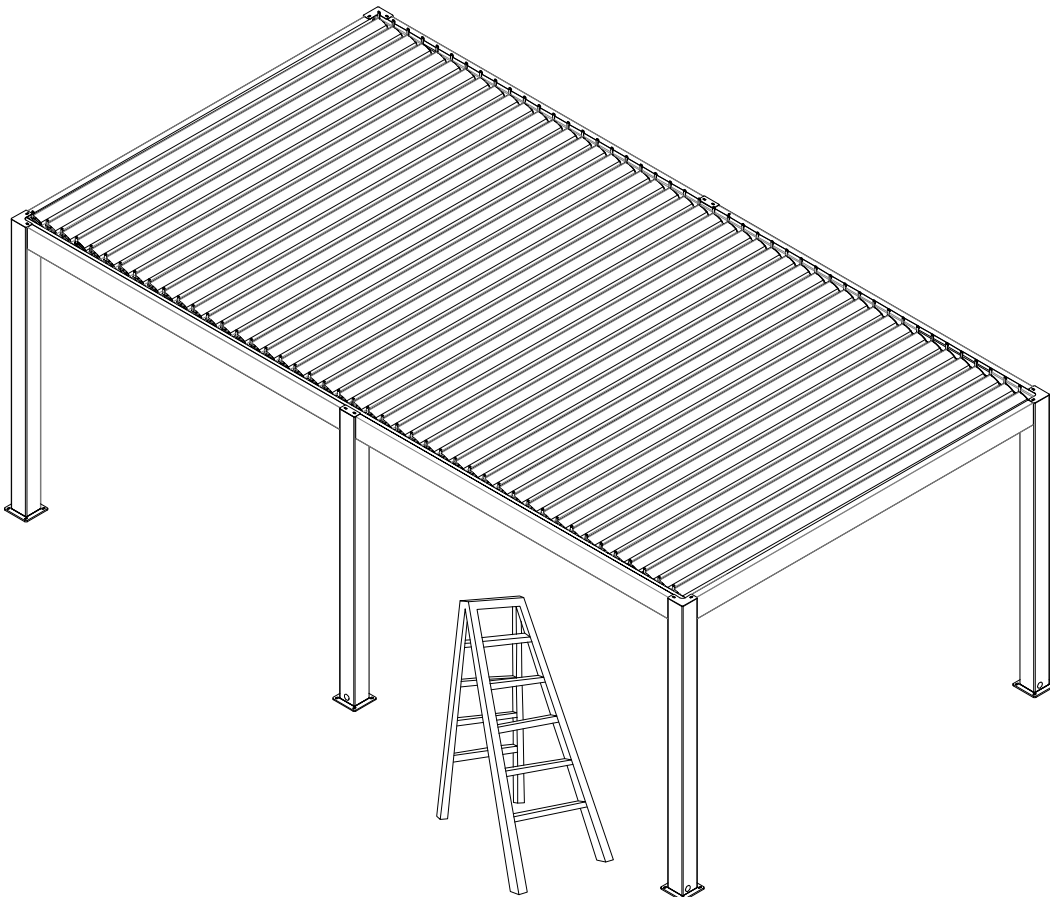
When installing louvers, first separate the two rubber gaskets and slide them to both ends of the circular shaft. Then, please ensure they are closed tightly before proceeding with the next steps of the installation.



1B-06

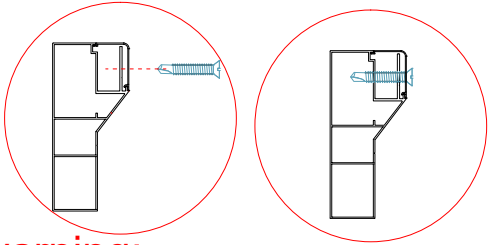


When installing louvers, first separate the two rubber gaskets and slide them to both ends of the circular shaft. Then, please ensure they are closed tightly before proceeding with the next steps of the installation.

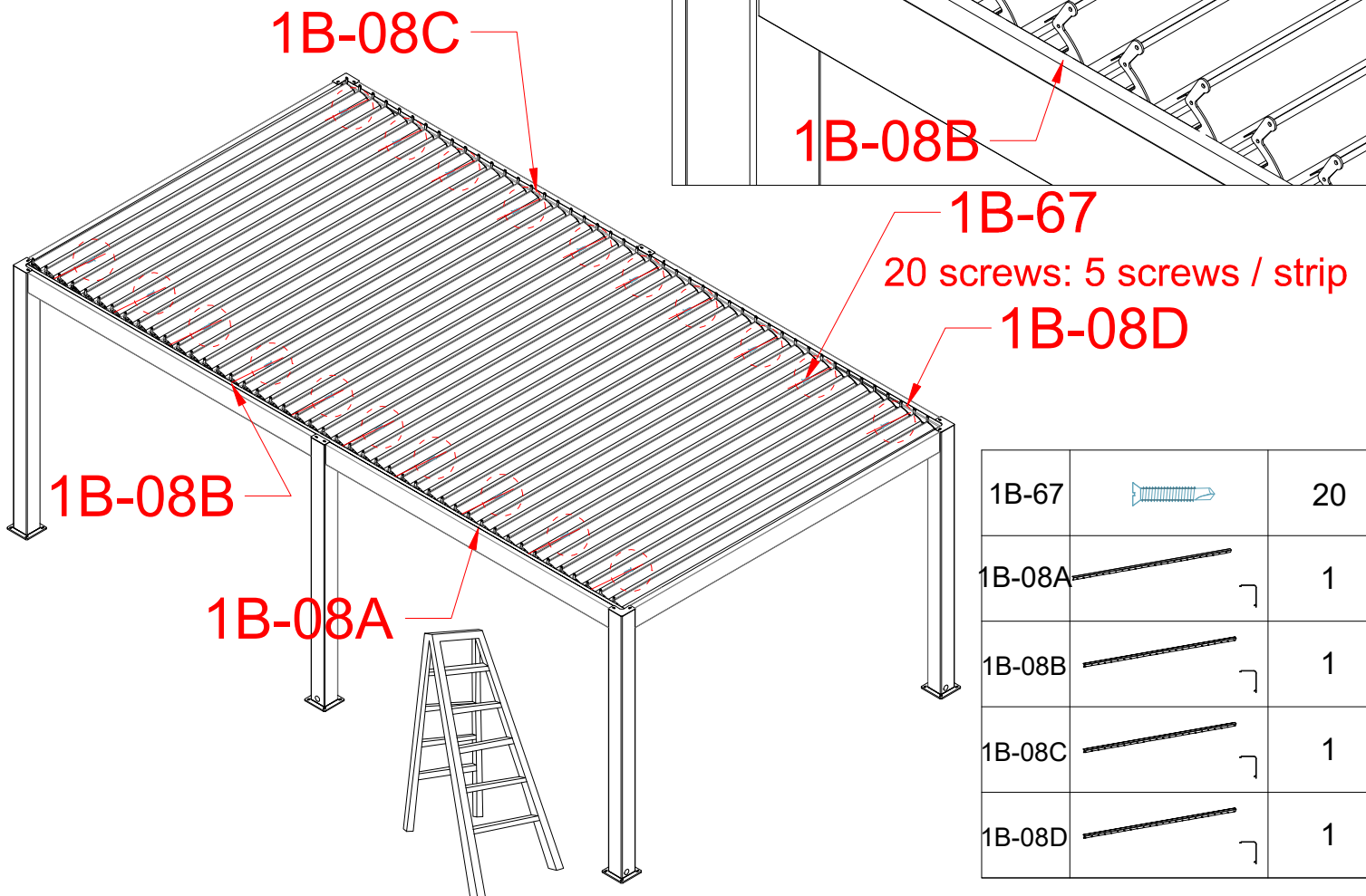
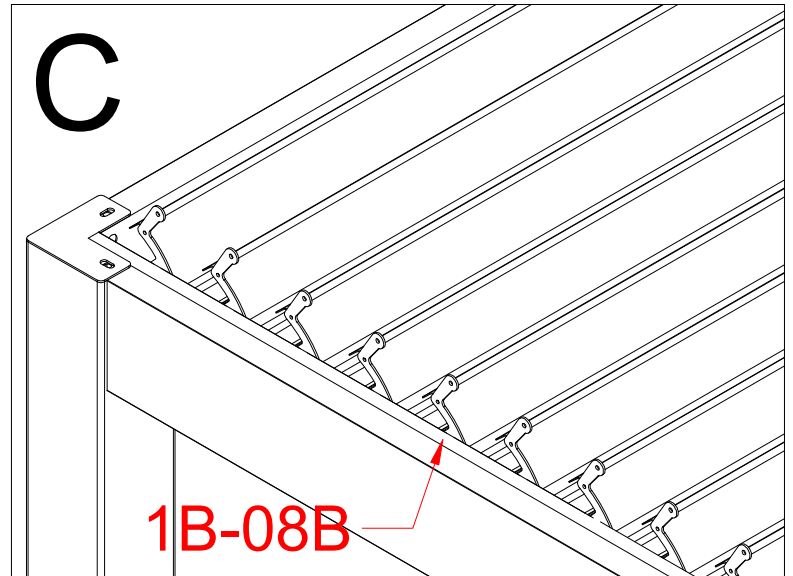
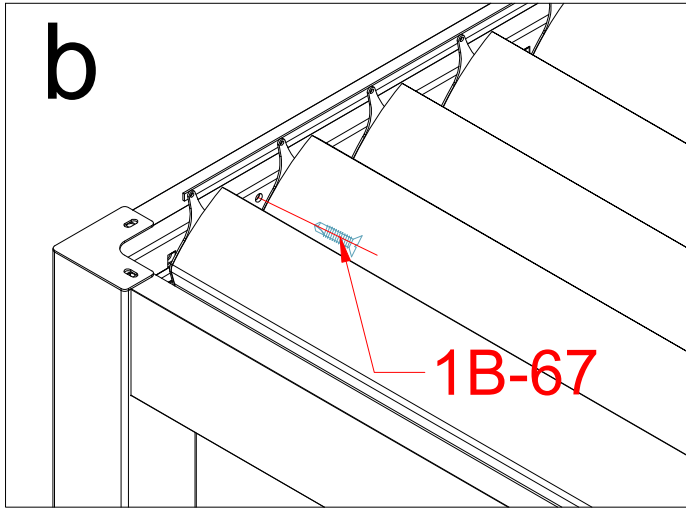
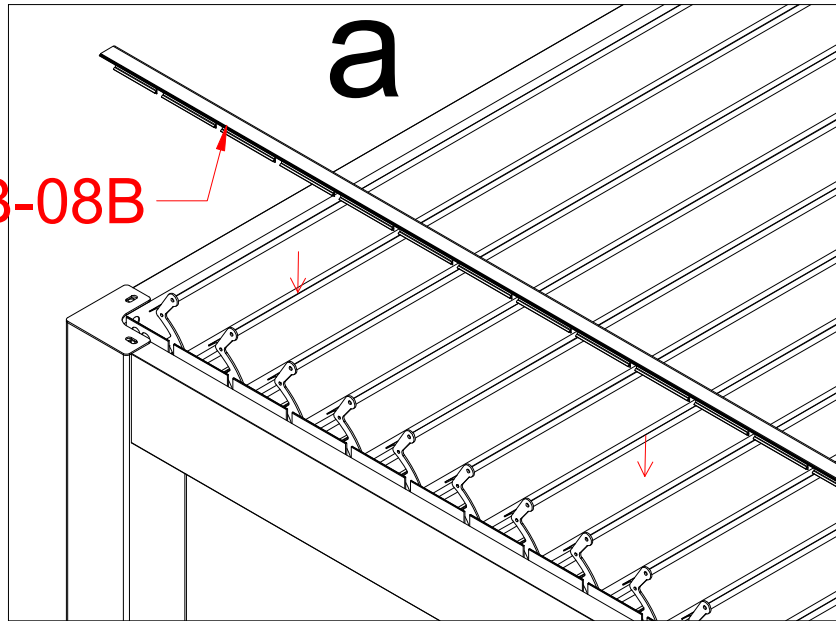


1B-06		40
-------	--	----



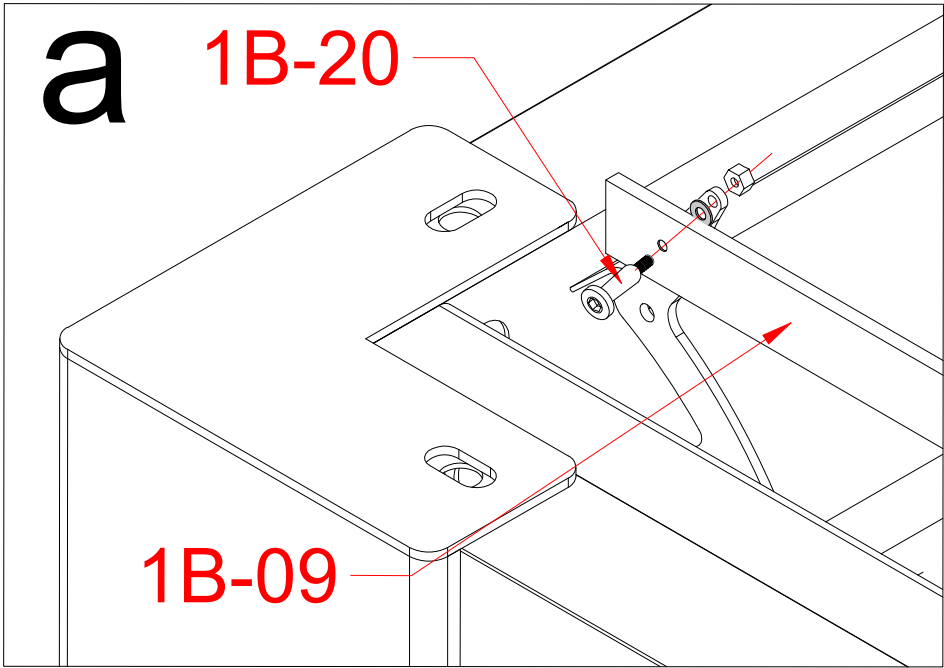


warning:
Here the screw must be hit, do not miss



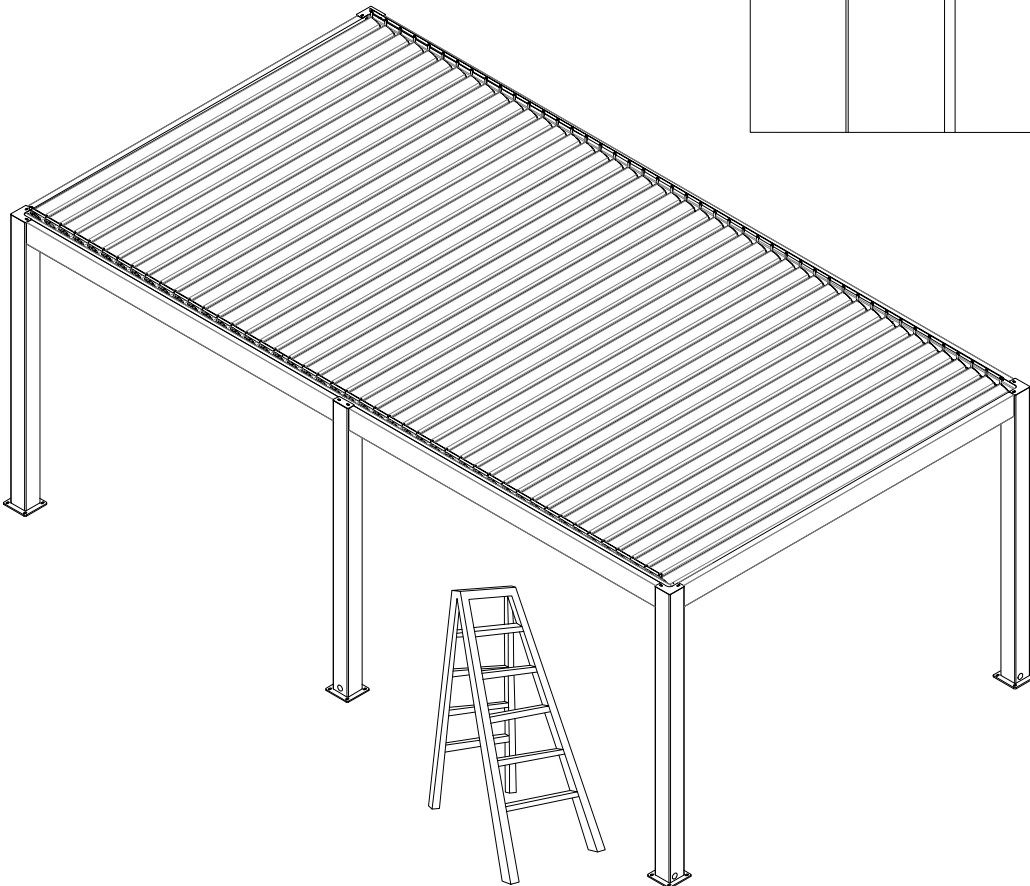
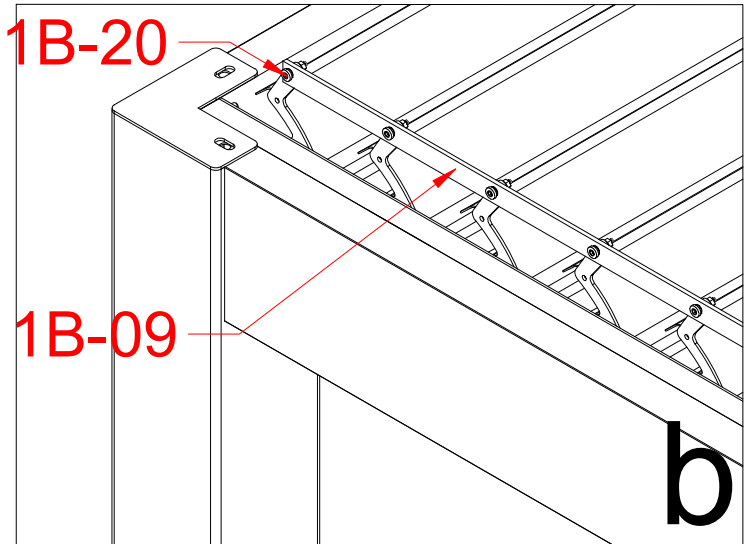
1B-67		20
1B-08A		1
1B-08B		1
1B-08C		1
1B-08D		1





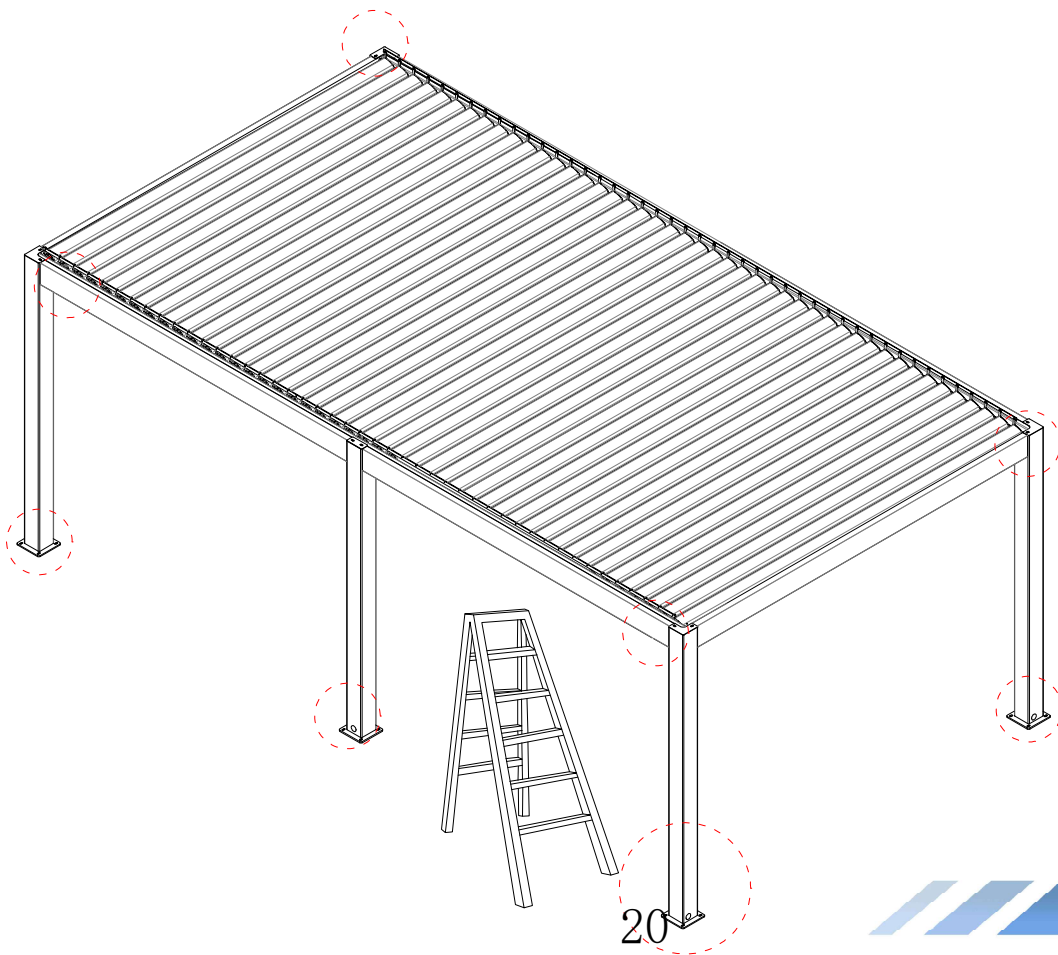
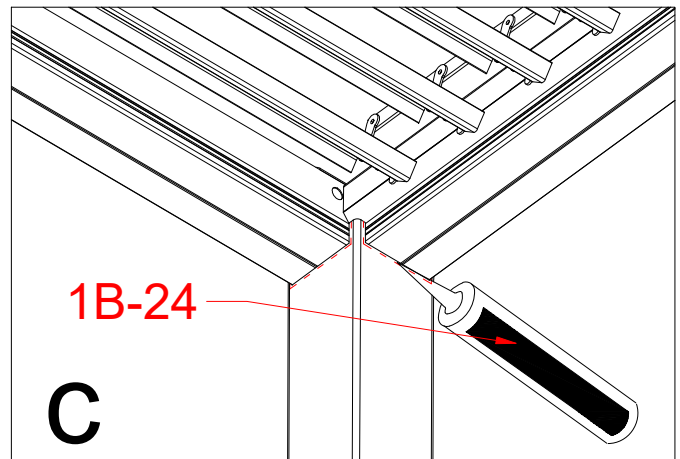
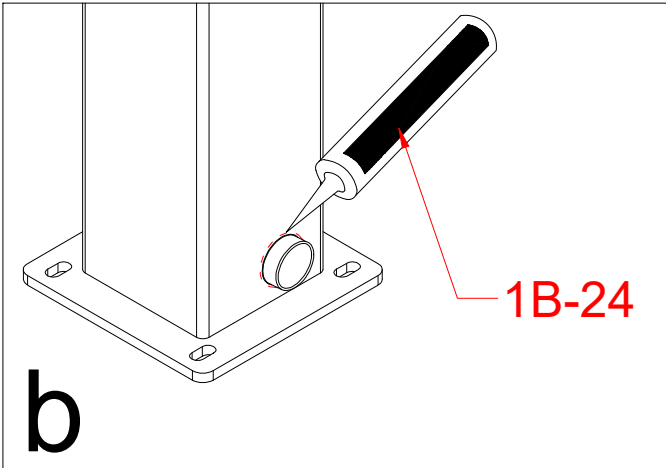
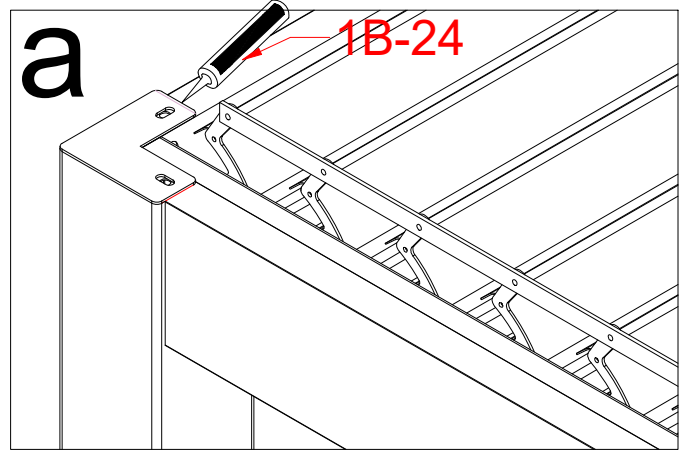
The driving bar shall be always outside of louver end caps. If inside, louvers could not be opened 100%

warning:
Bolts must be tightened



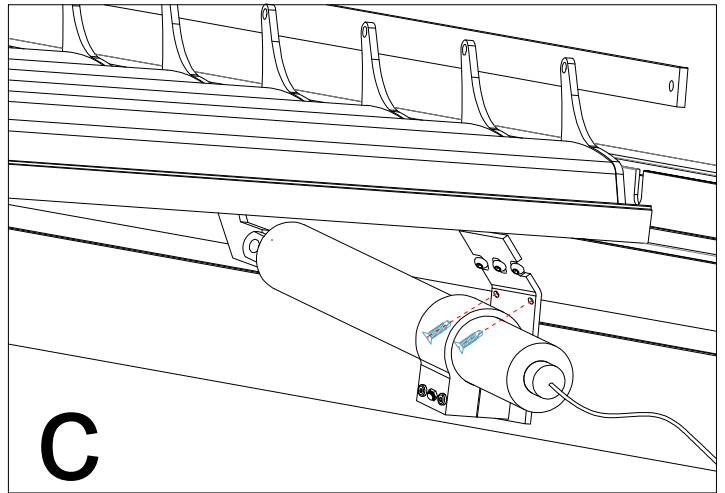
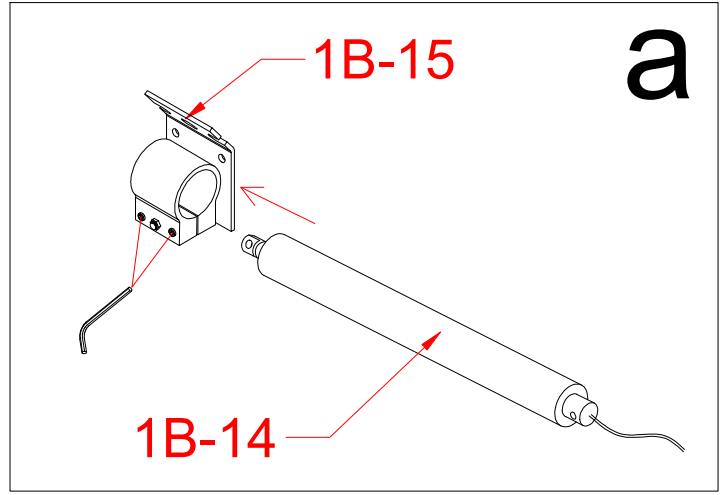
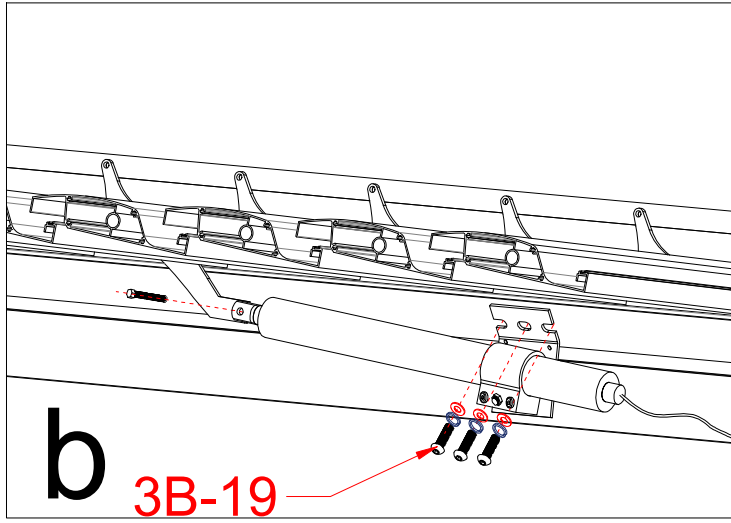
1B-09		4
1B-20		x



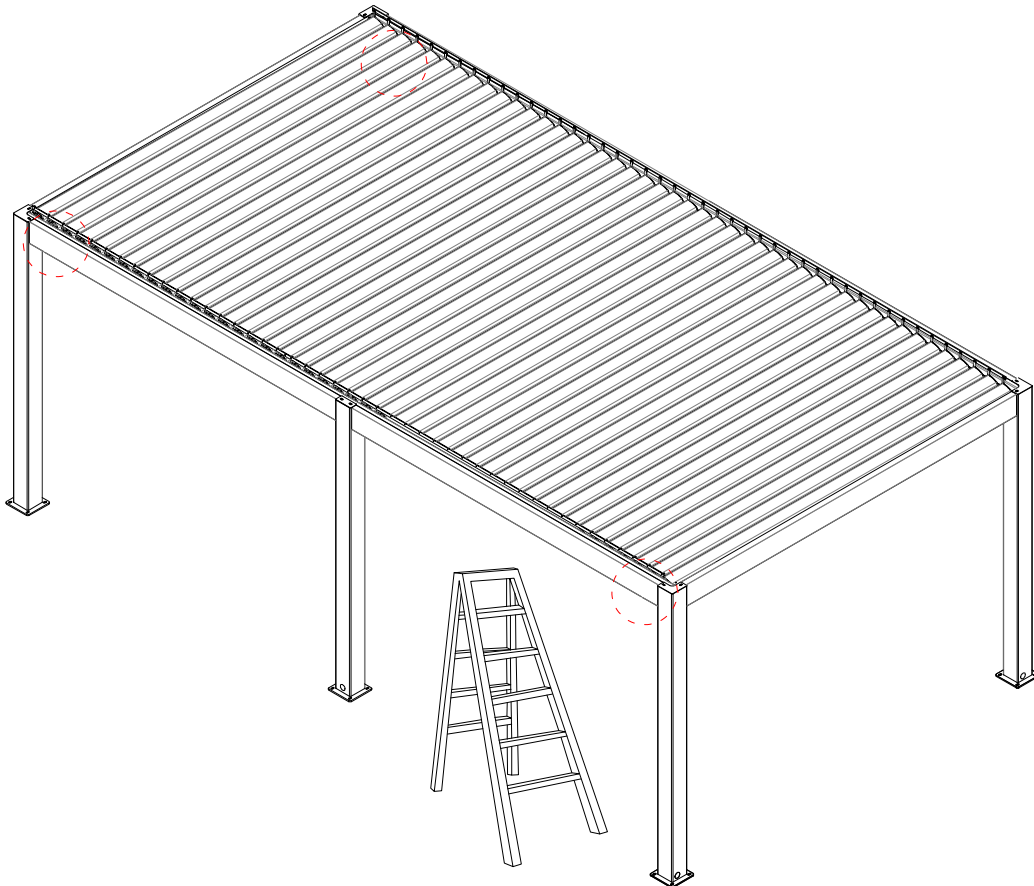



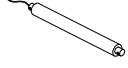
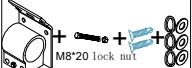
1B-24		1
-------	---	---





Warning
 In Snow / Wind season or in
 case of snow / wind forecast
 open up your shutters in vertical
 position to avoid any damaging
 on your pergola.

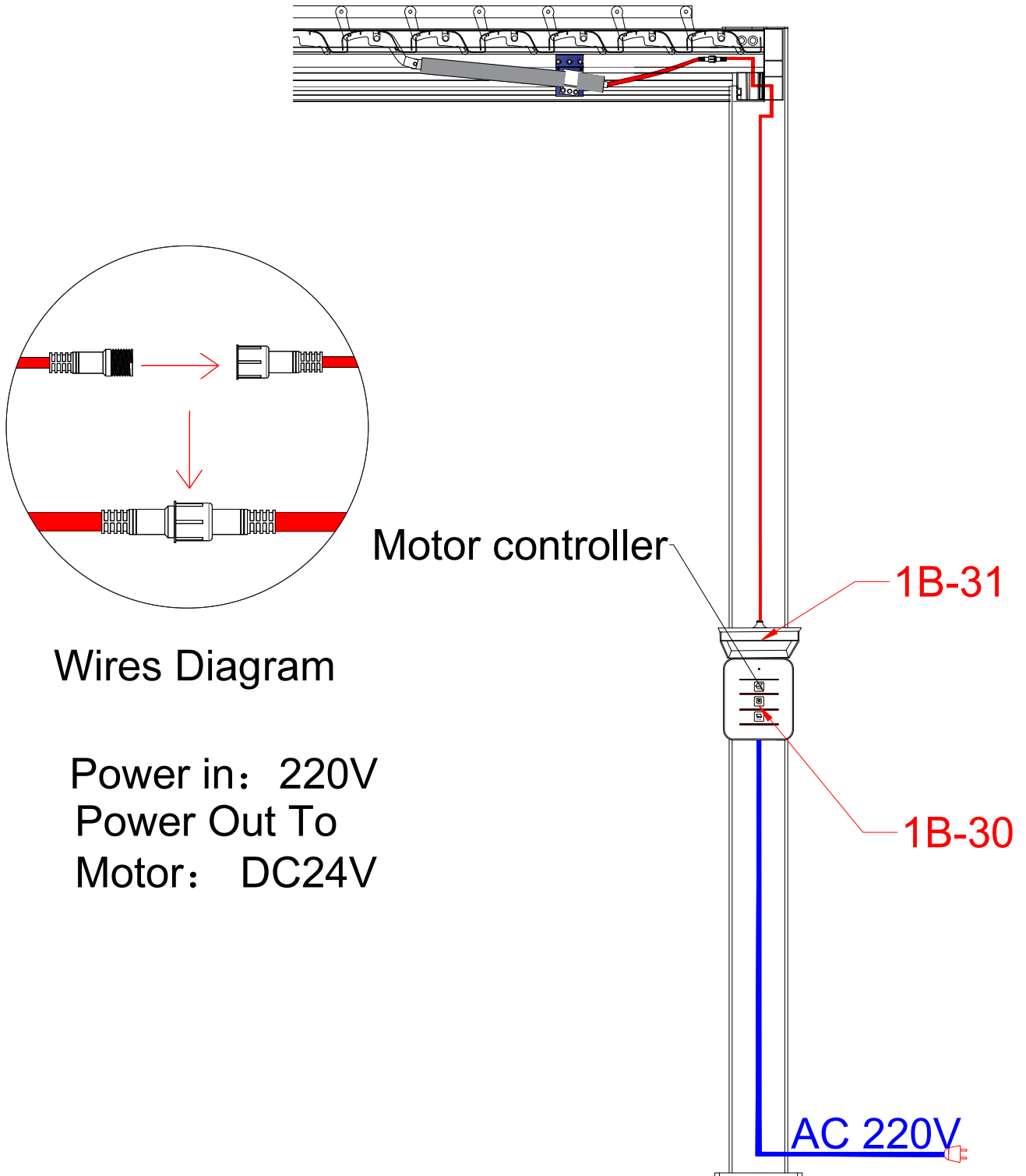


1B-19		6
1B-14		2
1B-15	 + M8*20 lock nut	2





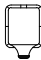


The control box is on the post



Wires Diagram

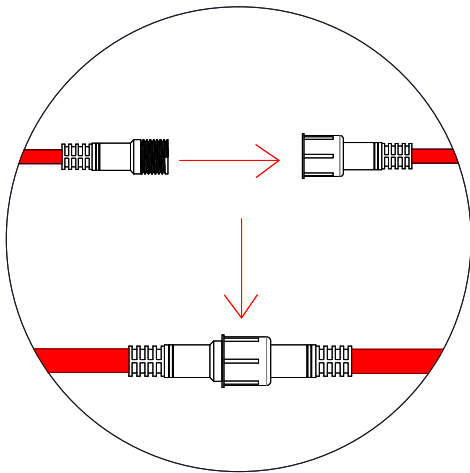
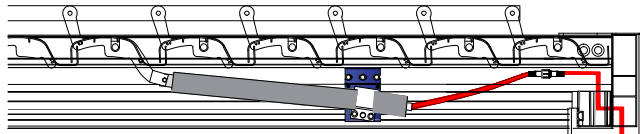
Power in: 220V
Power Out To
Motor: DC24V

1B-30	 	2
1B-31		2





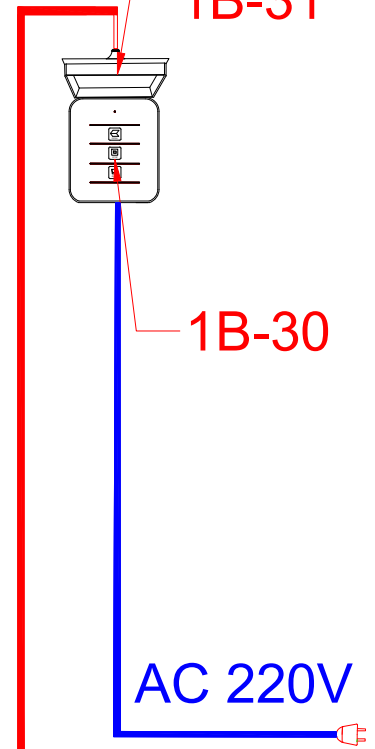
The control box is not on the post



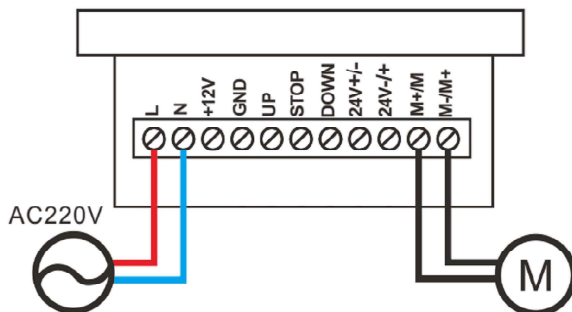
Wires Diagram

Power in: 220V
Power Out To Motor: DC24V

MOTOR 1B-31



E022
E012



1B-30		2
1B-31		2

