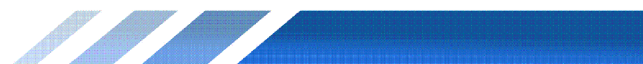
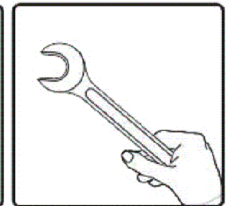
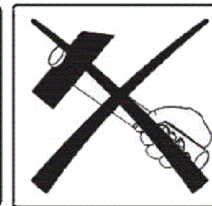
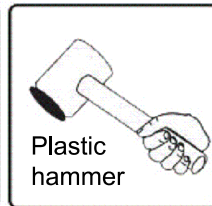
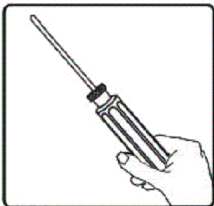
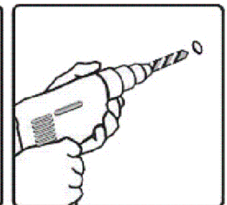
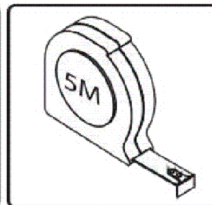
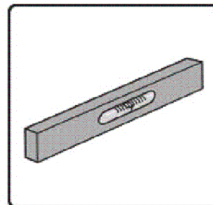
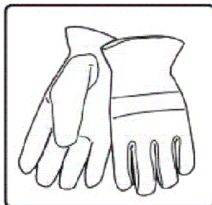
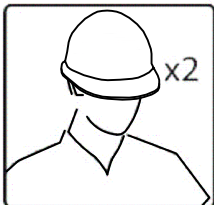
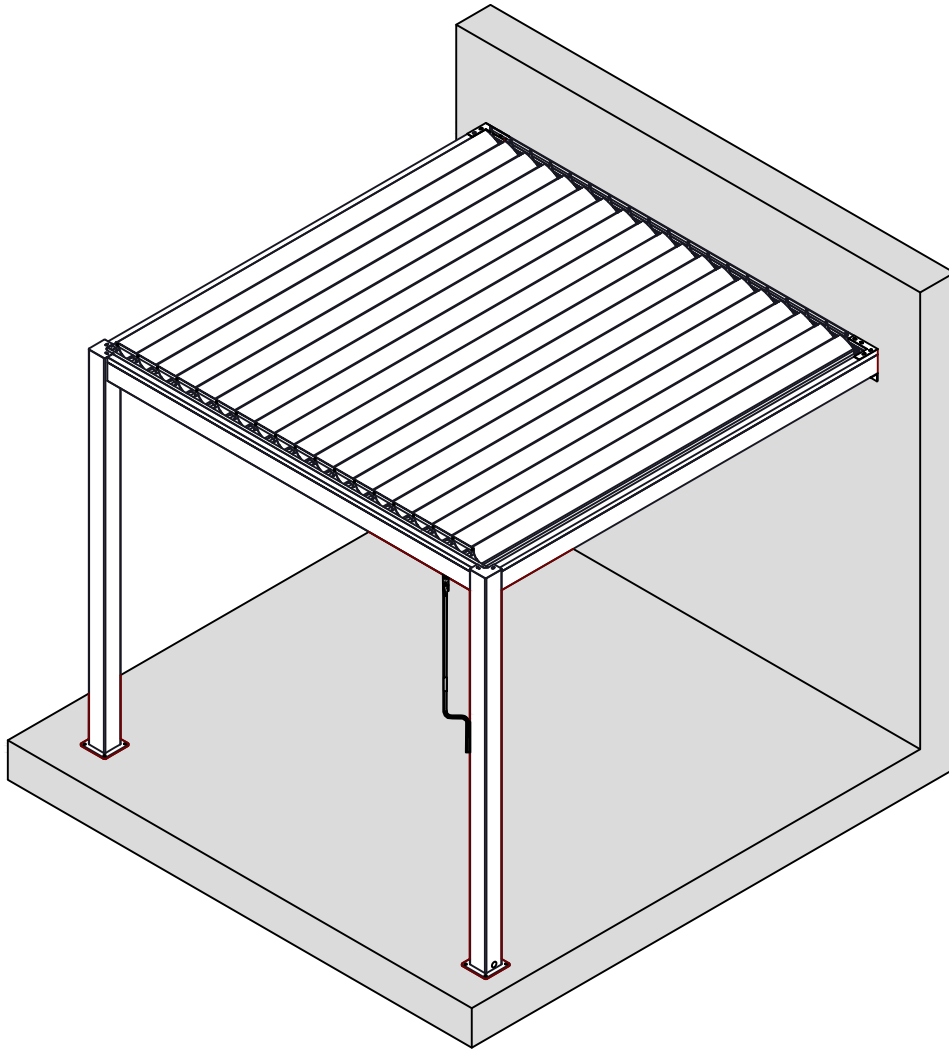


# MANUAL PERGOLA WALL MOUNTED 2 POSTS

**3×3/3×4/3×5m**



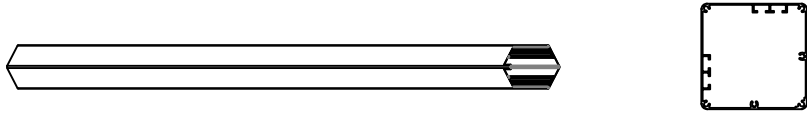
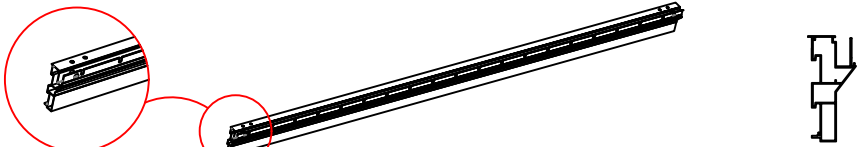
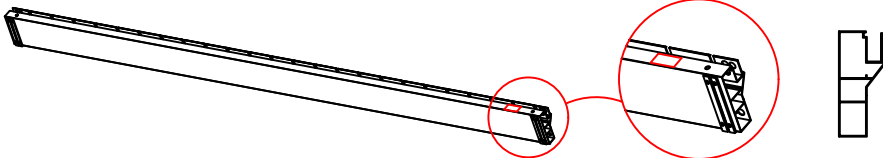
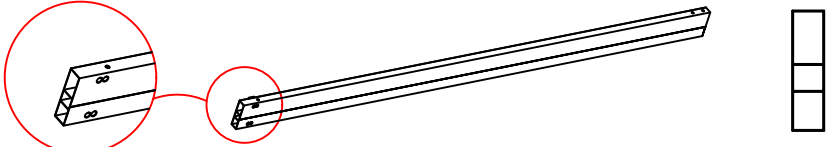



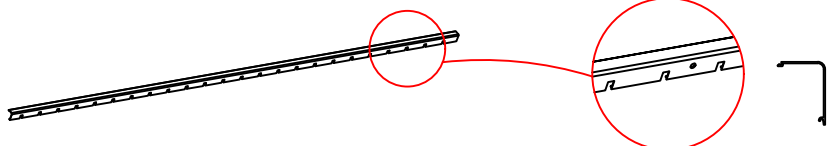
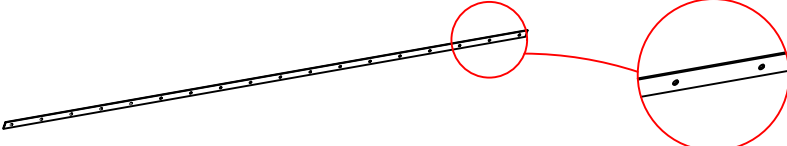


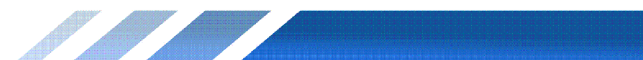


|               | Item          | Qty | Item  | Qty | Item  | Qty |
|---------------|---------------|-----|-------|-----|-------|-----|
| Carton<br>1/4 | 1B-01         | 2   | 1B-11 | 2   | 1B-51 | 96  |
|               | 1B-13         | 2   | 1B-14 | 1   | 1B-15 | 1   |
|               | 1B-18         | 1   | 1B-19 | 15  | 1B-20 | 38  |
|               | 1B-21         | 8   | 1B-22 | 12  | 1B-23 | 26  |
|               | 1B-24         | 1   | 1B-35 | 2   | 1B-36 | 4   |
|               | 1B-39         | 20  | 1B-40 | 2   | 1B-41 | 2   |
|               | 1B-42         | 8   | 1B-30 | 1   | 1B-31 | 1   |
|               | 1B-52         | 2   | 1B-53 | 4   | 1B-46 | 6   |
|               | 1B-48         | 24  | 1B-49 | 23  | 1B-50 | 1   |
|               |               |     |       |     |       |     |
| Carton<br>2/4 | 1B-02         | 1   | 1B-03 | 1   | 1B-04 | 2   |
|               | 1B-05/<br>05A | 4   | 1B-08 | 2   | 1B-09 | 2   |
|               |               |     |       |     |       |     |
| Carton<br>3/4 | 1B-06         | 12  |       |     |       |     |
| Carton<br>4/4 | 1B-06         | 12  |       |     |       |     |
|               |               |     |       |     |       |     |





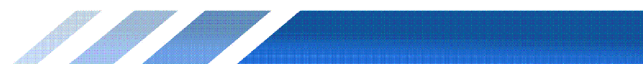
| Item   | Drawings   | Qty |
|--------|--|-----|
| 1B-01  |    | 2   |
| 1B-02  |    | 1   |
| 1B-03  |    | 1   |
| 1B-04  |    | 2   |
| 1B-05  |    | 3   |
| 1B-05B |  | 1   |
| 1B-06  |  | 24  |
| 1B-08  |  | 2   |
| 1B-09  |  | 2   |
|        |  |     |
|        |  |     |

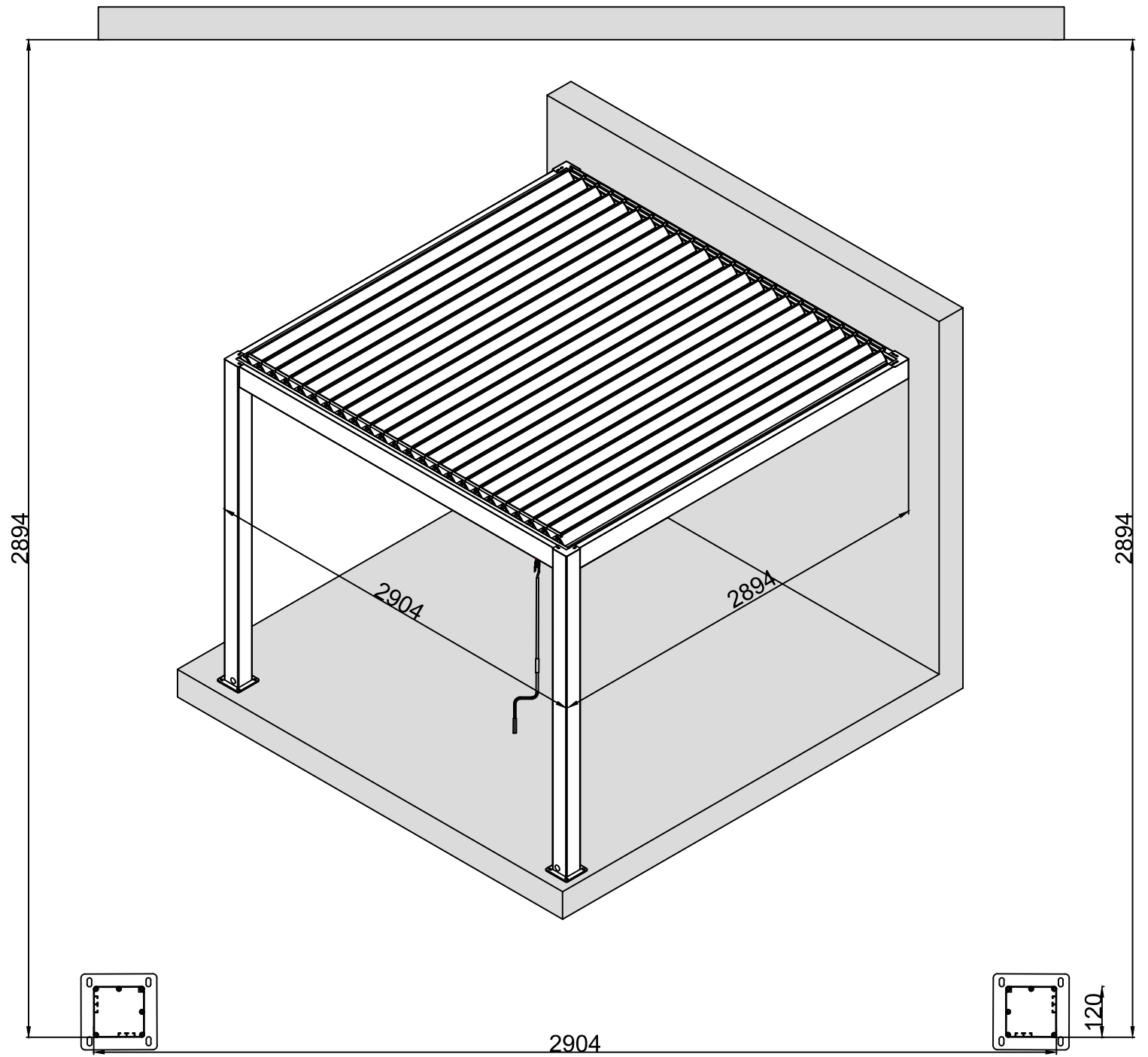




| Item  | Drawings    | Qty  |
|-------|-------------|------|
| 1B-11 |             | 2    |
| 1B-13 |             | 2    |
| 1B-14 |             | 1    |
| 1B-15 |             | 1    |
| 1B-18 |             | 1    |
| 1B-19 | <br>M8*20   | 12+2 |
| 1B-20 |             | 48+2 |
| 1B-21 | <br>M10*80  | 8    |
| 1B-22 |             | 12+2 |
| 1B-23 | <br>M4.2*19 | 32+2 |
| 1B-24 |             | 1    |
| 1B-16 |             | 1    |
| 1B-17 |             | 1    |
| 1B-12 |             | 2    |

| Item  | Drawings        | Qty  |
|-------|-----------------|------|
| 1B-35 |                 | 2    |
| 1B-36 |                 | 2    |
| 1B-39 | <br>P<br>M8*60  | 20+2 |
| 1B-40 |                 | 2    |
| 1B-41 |                 | 2    |
| 1B-42 | <br>P<br>M10*20 | 8    |
| 1B-52 |                 | 2    |
| 1B-53 |                 | 4    |
| 1B-46 | <br>M4.2*25     | 6    |
| 1B-48 |                 | 24   |
| 1B-49 |                 | 23   |
| 1B-50 |                 | 1    |
| 1B-51 | <br>M3.5*25     | 96+4 |
|       |                 |      |



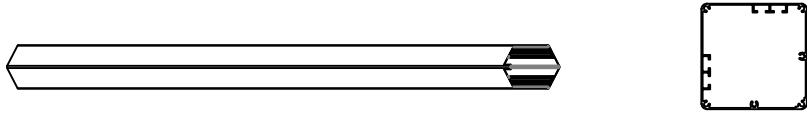
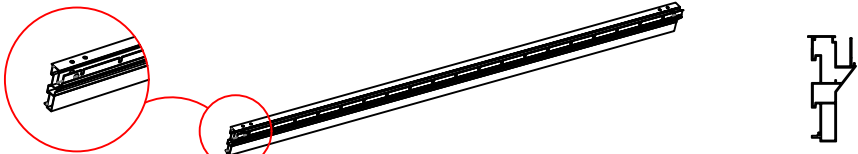
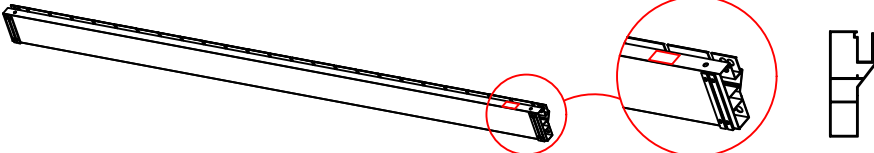
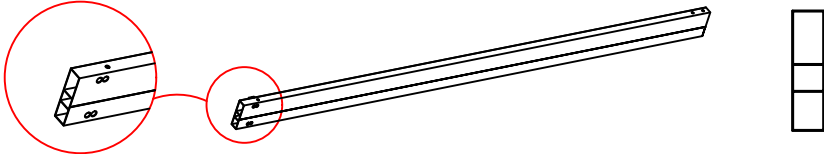



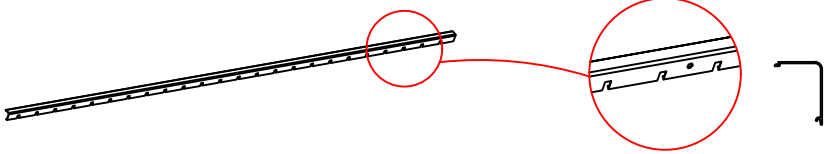
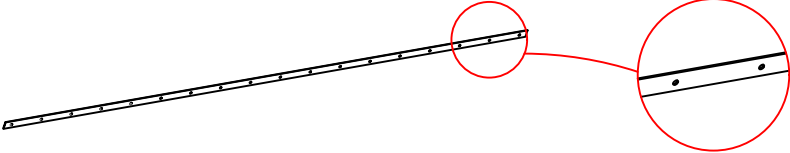


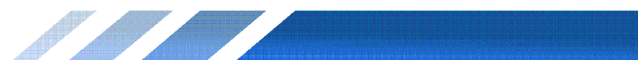


|               | Item          | Qty | Item  | Qty | Item  | Qty |
|---------------|---------------|-----|-------|-----|-------|-----|
| Carton<br>1/4 | 1B-01         | 2   | 1B-11 | 2   | 1B-51 | 132 |
|               | 1B-13         | 2   | 1B-14 | 1   | 1B-15 | 1   |
|               | 1B-18         | 1   | 1B-19 | 15  | 1B-20 | 54  |
|               | 1B-21         | 8   | 1B-22 | 12  | 1B-23 | 45  |
|               | 1B-24         | 1   | 1B-35 | 2   | 1B-36 | 4   |
|               | 1B-39         | 20  | 1B-40 | 2   | 1B-41 | 2   |
|               | 1B-42         | 8   | 1B-30 | 1   | 1B-31 | 1   |
|               | 1B-52         | 2   | 1B-53 | 4   | 1B-46 | 6   |
|               | 1B-48         | 27  | 1B-49 | 26  | 1B-50 | 1   |
|               |               |     |       |     |       |     |
| Carton<br>2/4 | 1B-02         | 1   | 1B-03 | 1   | 1B-04 | 2   |
|               | 1B-05/<br>05A | 4   | 1B-08 | 2   | 1B-09 | 2   |
|               |               |     |       |     |       |     |
| Carton<br>3/4 | 1B-06         | 17  |       |     |       |     |
| Carton<br>4/4 | 1B-06         | 16  |       |     |       |     |
|               |               |     |       |     |       |     |





| Item   | Drawings   | Qty |
|--------|--|-----|
| 1B-01  |    | 2   |
| 1B-02  |    | 1   |
| 1B-03  |    | 1   |
| 1B-04  |    | 2   |
| 1B-05  |    | 3   |
| 1B-05B |  | 1   |
| 1B-06  |  | 33  |
| 1B-08  |  | 2   |
| 1B-09  |  | 2   |
|        |  |     |
|        |  |     |



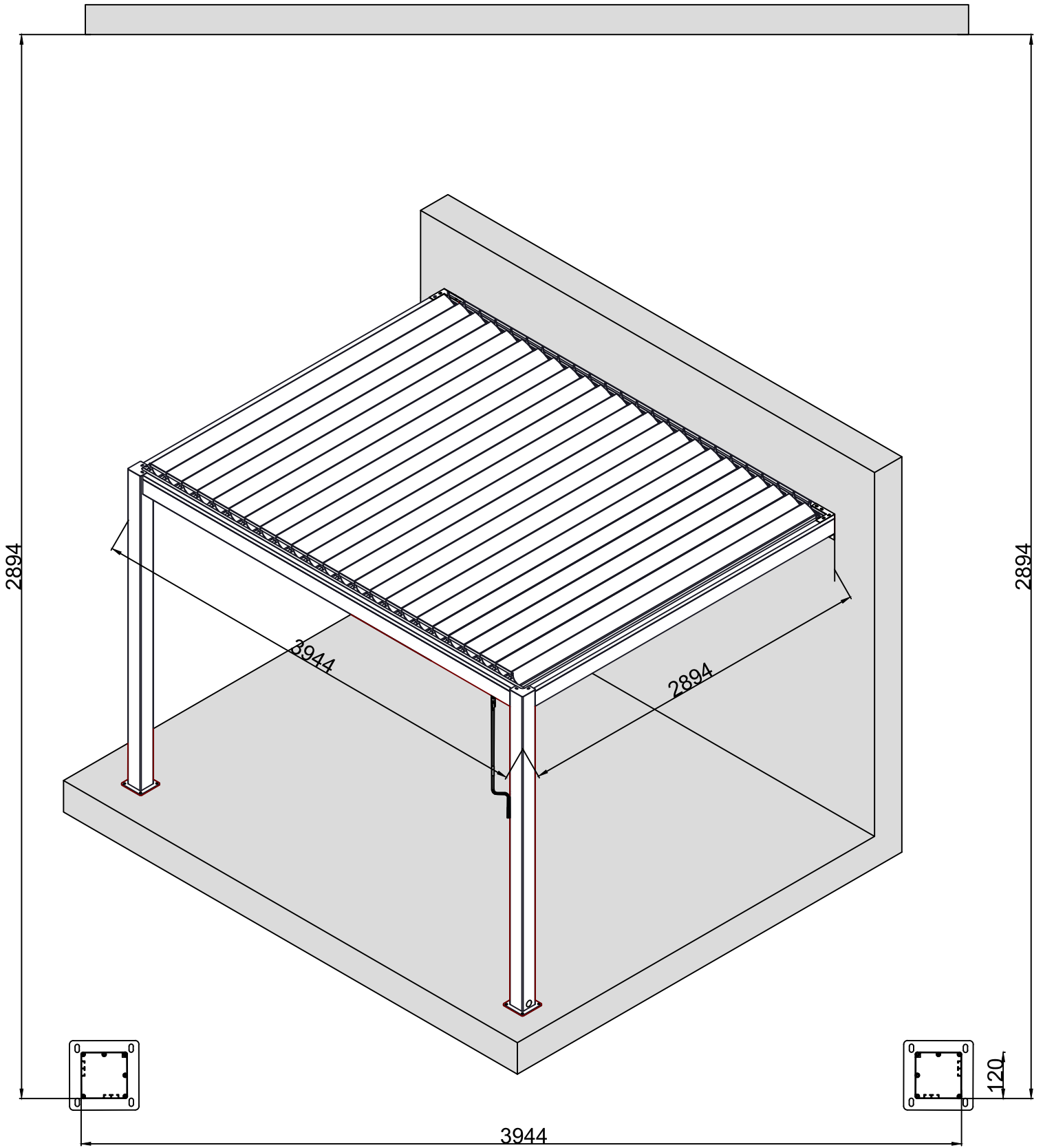




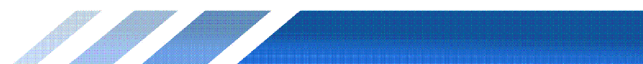
| Item  | Drawings    | Qty  |
|-------|-------------|------|
| 1B-11 |             | 2    |
| 1B-13 |             | 2    |
| 1B-14 |             | 1    |
| 1B-15 |             | 1    |
| 1B-18 |             | 1    |
| 1B-19 | <br>M8*20   | 12+2 |
| 1B-20 |             | 66+2 |
| 1B-21 | <br>M10*80  | 8    |
| 1B-22 |             | 12+2 |
| 1B-23 | <br>M4.2*19 | 34+2 |
| 1B-24 |             | 1    |
| 1B-16 |             | 1    |
| 1B-17 |             | 1    |
| 1B-35 |             | 2    |

| Item  | Drawings        | Qty   |
|-------|-----------------|-------|
| 1B-36 |                 | 2     |
| 1B-39 | <br>P<br>M8*60  | 20+2  |
| 1B-40 |                 | 2     |
| 1B-41 |                 | 2     |
| 1B-42 | <br>P<br>M10*20 | 8     |
| 1B-52 |                 | 2     |
| 1B-53 |                 | 4     |
| 1B-43 | <br>M4.2*25     | 6     |
| 1B-48 |                 | 33    |
| 1B-49 |                 | 32    |
| 1B-50 |                 | 1     |
| 1B-51 | <br>M3.5*25     | 132+4 |
| 1B-12 |                 | 2     |





3X4-4

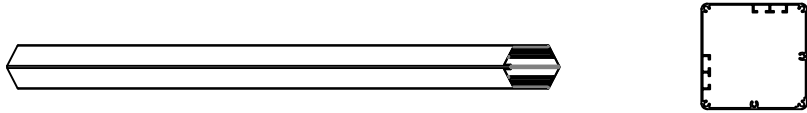
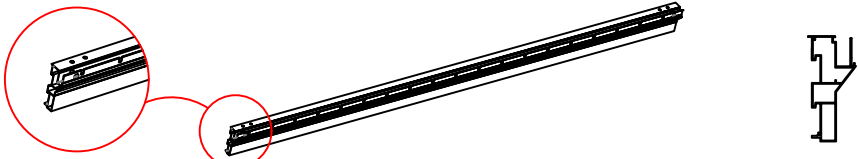
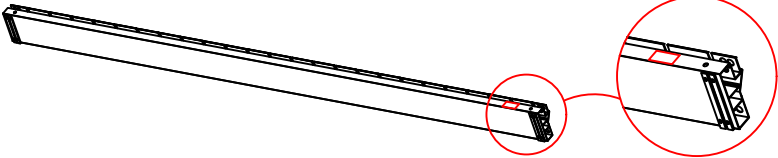
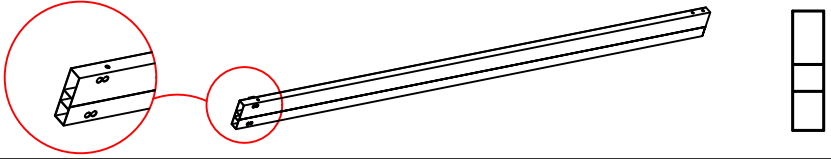



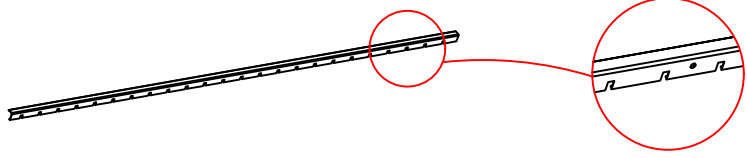
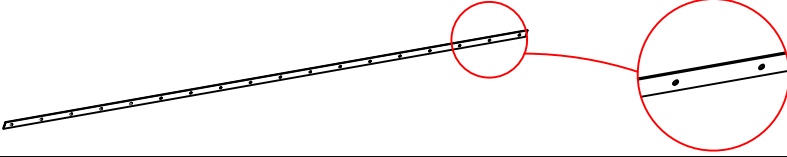


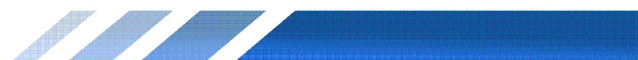


|               | Item          | Qty | Item  | Qty | Item  | Qty |
|---------------|---------------|-----|-------|-----|-------|-----|
| Carton<br>1/4 | 1B-01         | 2   | 1B-11 | 2   | 1B-51 | 168 |
|               | 1B-13         | 2   | 1B-14 | 1   | 1B-15 | 1   |
|               | 1B-18         | 1   | 1B-19 | 15  | 1B-20 | 84  |
|               | 1B-21         | 8   | 1B-22 | 12  | 1B-23 | 35  |
|               | 1B-24         | 1   | 1B-35 | 2   | 1B-36 | 4   |
|               | 1B-39         | 20  | 1B-40 | 2   | 1B-41 | 2   |
|               | 1B-42         | 8   | 1B-30 | 1   | 1B-31 | 1   |
|               | 1B-52         | 2   | 1B-53 | 4   | 1B-46 | 6   |
|               | 1B-48         | 42  | 1B-49 | 41  | 1B-50 | 1   |
|               |               |     |       |     |       |     |
| Carton<br>2/4 | 1B-02         | 1   | 1B-03 | 1   | 1B-04 | 2   |
|               | 1B-05/<br>05A | 4   | 1B-08 | 2   | 1B-09 | 2   |
|               |               |     |       |     |       |     |
| Carton<br>3/4 | 1B-06         | 21  |       |     |       |     |
| Carton<br>4/4 | 1B-06         | 21  |       |     |       |     |
|               |               |     |       |     |       |     |
|               |               |     |       |     |       |     |





| Item   | Drawings   | Qty |
|--------|--|-----|
| 1B-01  |    | 2   |
| 1B-02  |    | 1   |
| 1B-03  |    | 1   |
| 1B-04  |    | 2   |
| 1B-05  |    | 3   |
| 1B-05B |   | 1   |
| 1B-06  |  | 42  |
| 1B-08  |  | 2   |
| 1B-09  |  | 2   |
|        |  |     |
|        |  |     |





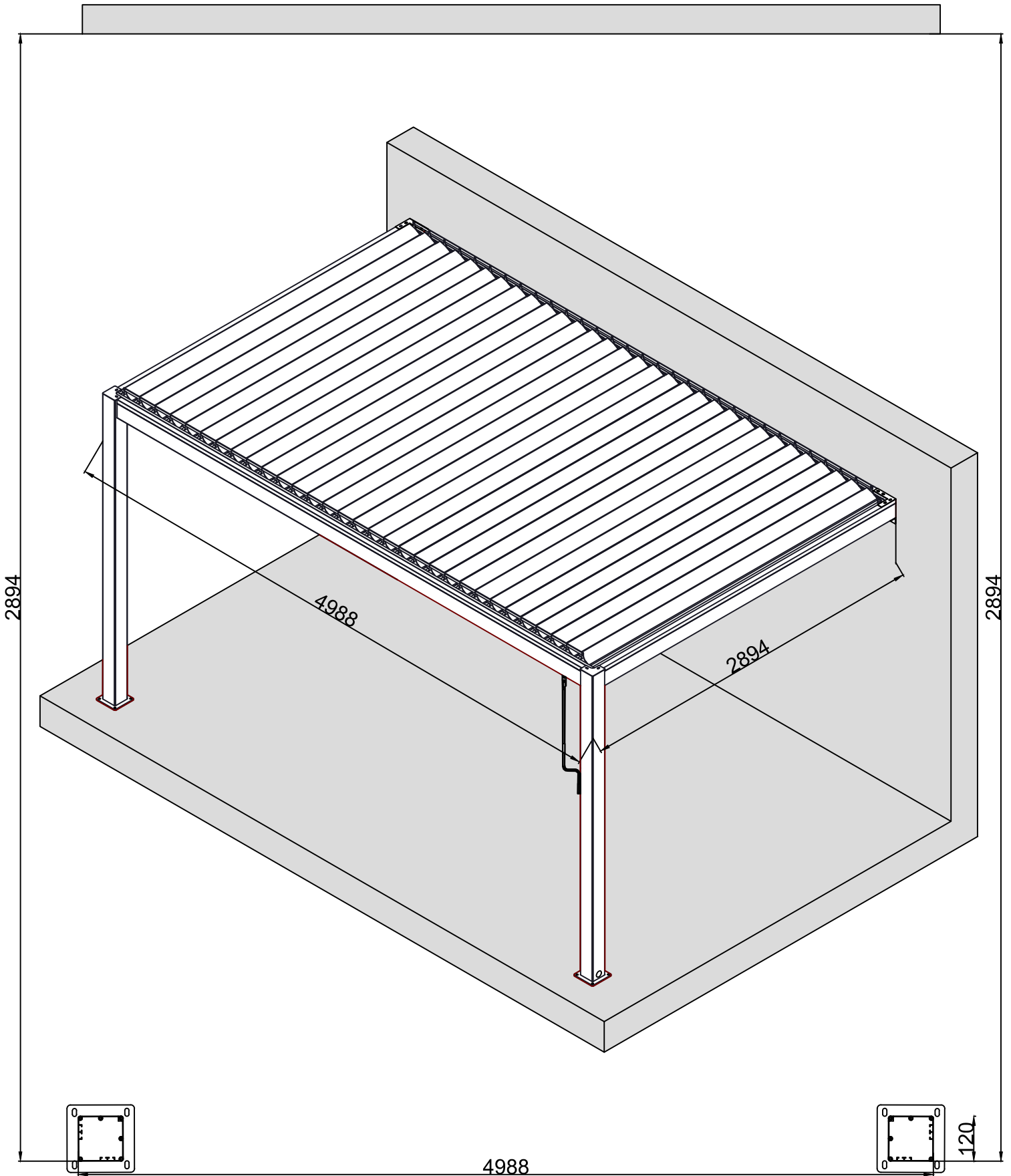
| Item  | Drawings    | Qty  |
|-------|-------------|------|
| 1B-11 |             | 2    |
| 1B-13 |             | 2    |
| 1B-14 |             | 1    |
| 1B-15 |             | 1    |
| 1B-18 |             | 1    |
| 1B-19 | <br>M8*20   | 12+2 |
| 1B-20 |             | 84+2 |
| 1B-21 | <br>M10*80  | 8    |
| 1B-22 |             | 12+2 |
| 1B-23 | <br>M4.2*19 | 35+2 |
| 1B-24 |             | 1    |
| 1B-16 |             | 1    |
| 1B-17 |             | 1    |
| 1B-35 |             | 2    |

| Item  | Drawings        | Qty   |
|-------|-----------------|-------|
| 1B-36 |                 | 2     |
| 1B-39 | <br>P<br>M8*60  | 20+2  |
| 1B-40 |                 | 2     |
| 1B-41 |                 | 2     |
| 1B-42 | <br>P<br>M10*20 | 8     |
| 1B-52 |                 | 2     |
| 1B-53 |                 | 4     |
| 1B-43 | <br>M4.2*25     | 6     |
| 1B-48 |                 | 42    |
| 1B-49 |                 | 41    |
| 1B-50 |                 | 1     |
| 1B-51 | <br>M3.5*25     | 168+4 |
| 1B-12 |                 | 2     |

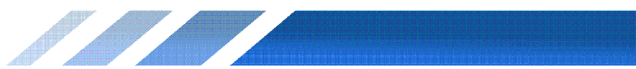


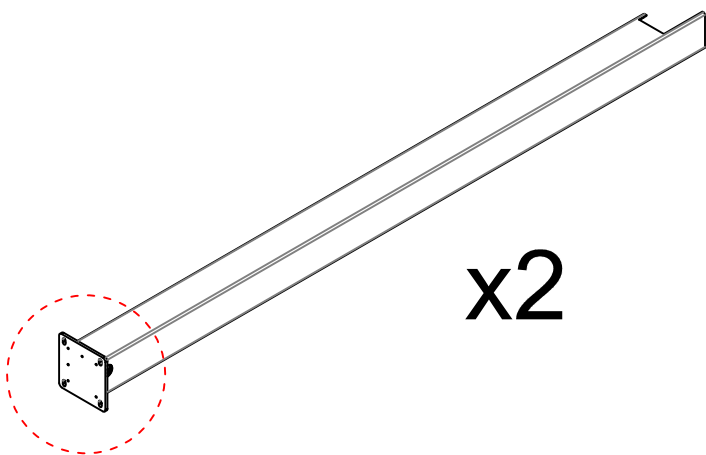
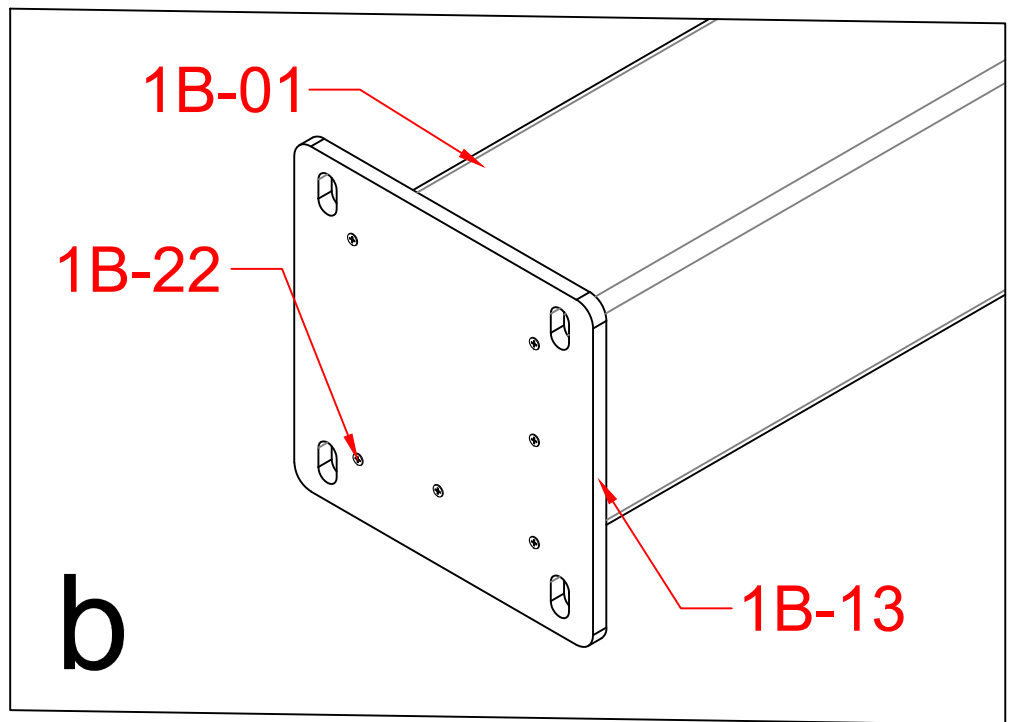
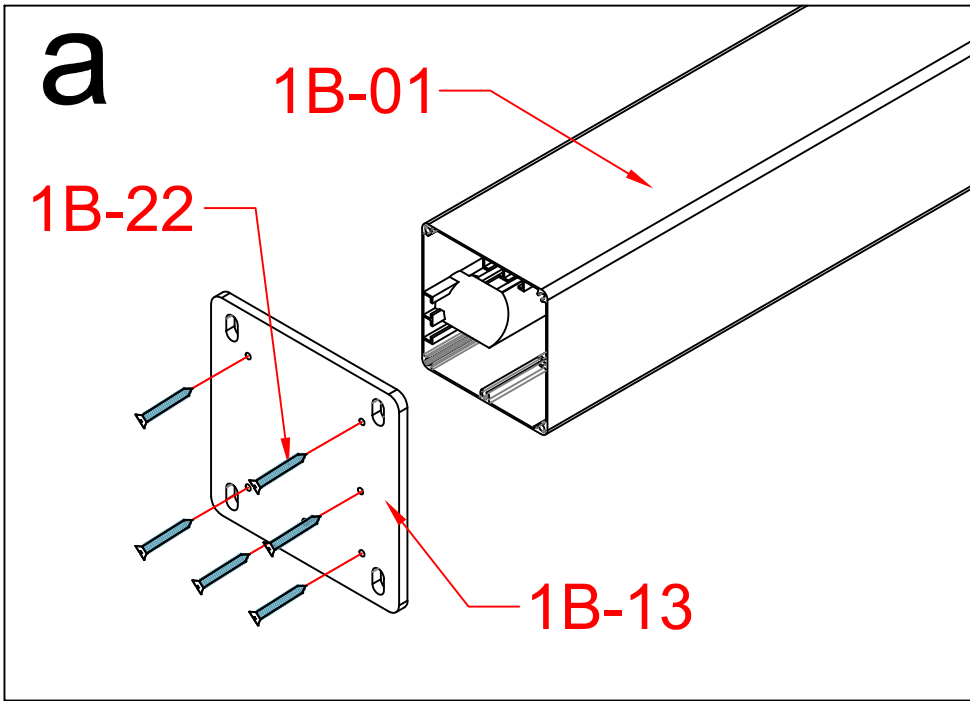


3x5m



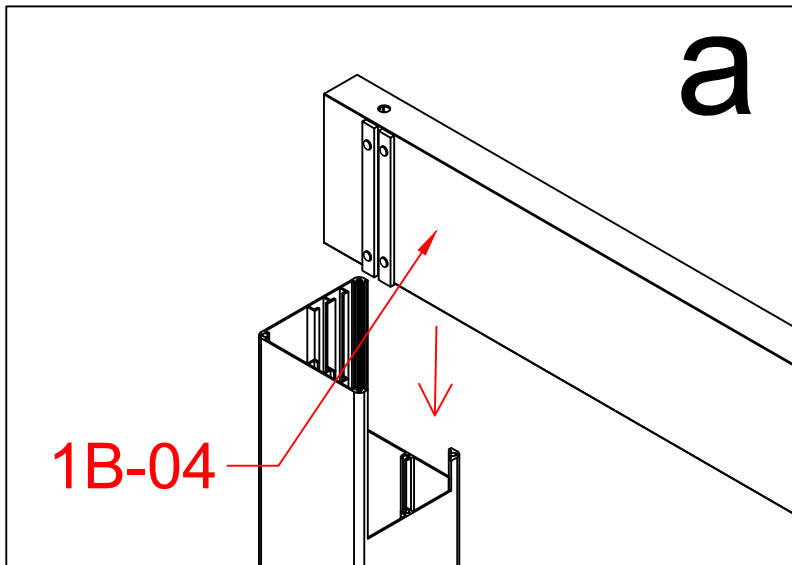
3X5-4





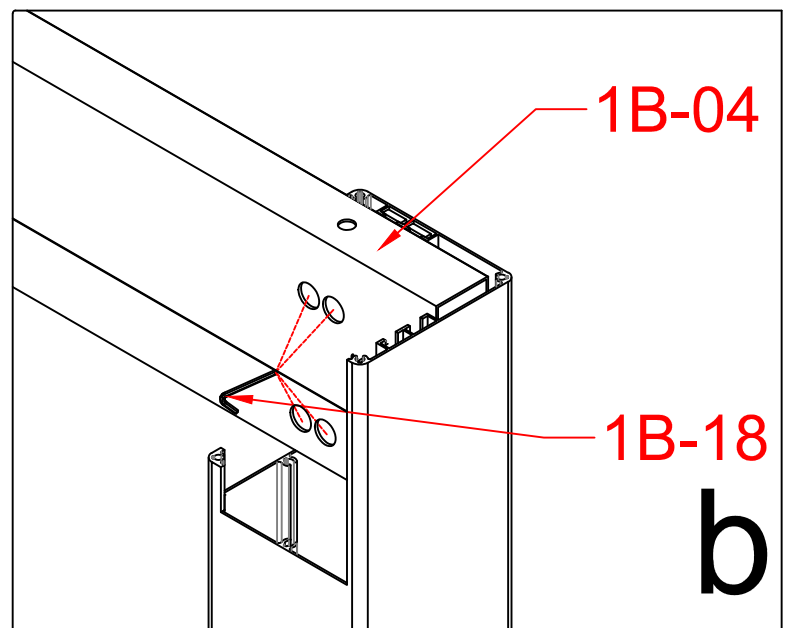
|       |  |    |
|-------|--|----|
| 1B-01 |  | 2  |
| 1B-13 |  | 2  |
| 1B-22 |  | 12 |





a

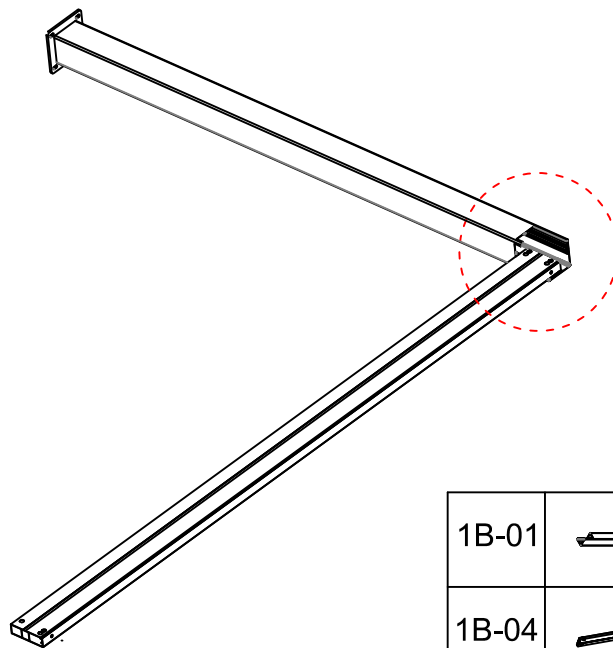
1B-04

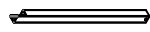



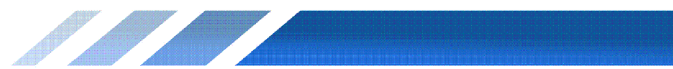
1B-04

1B-18

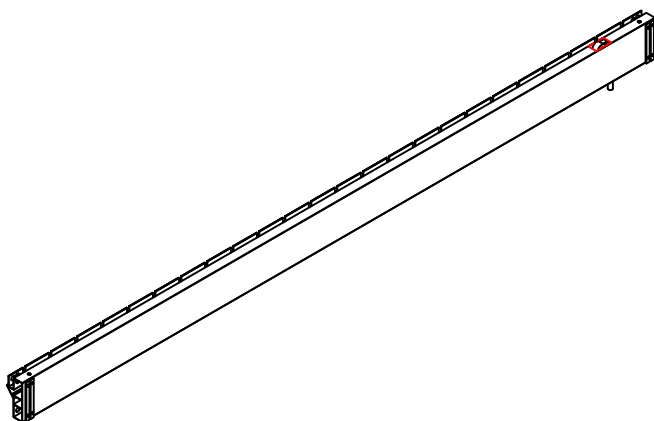
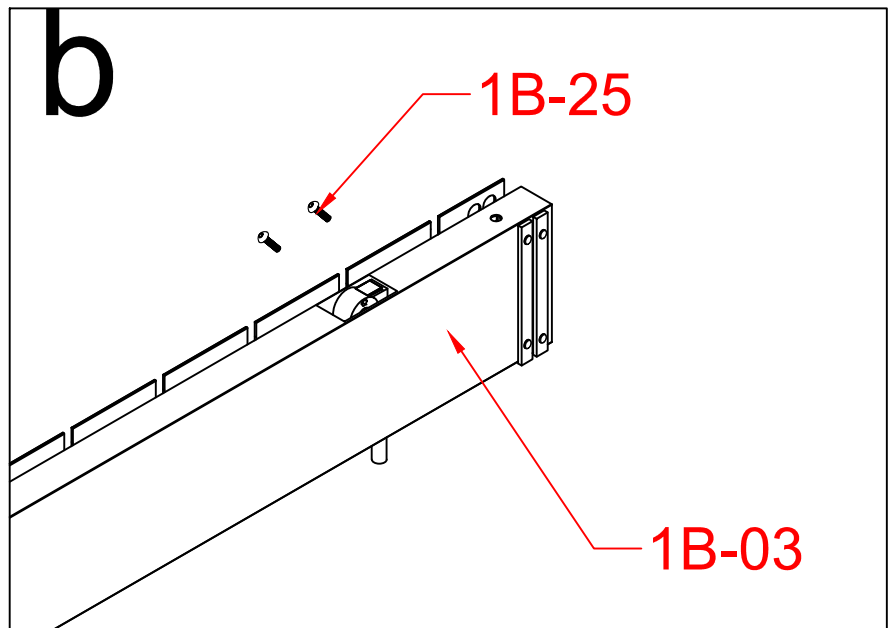
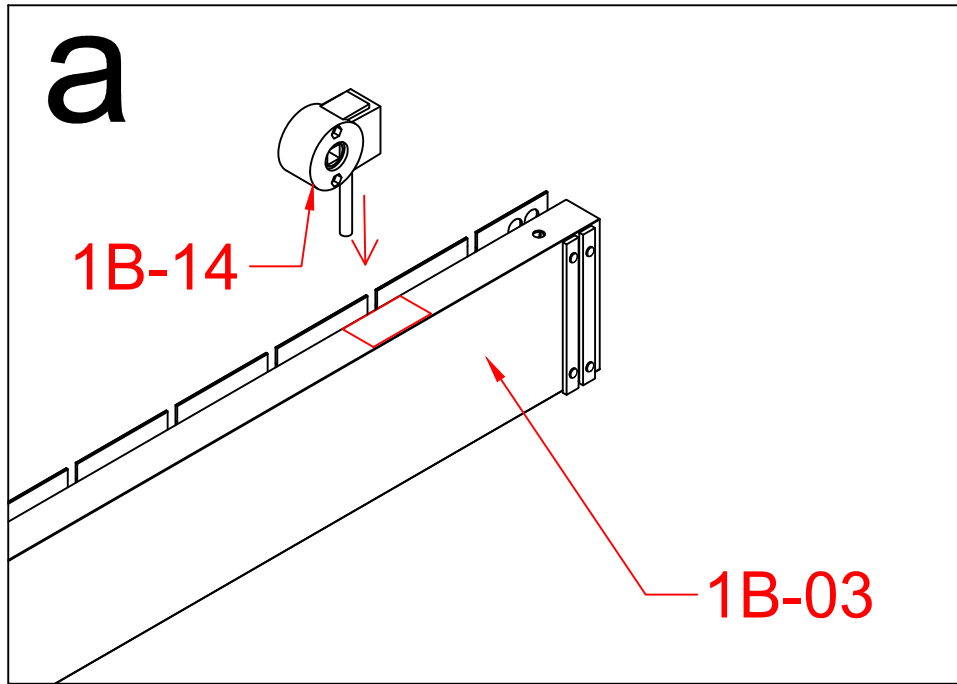
b



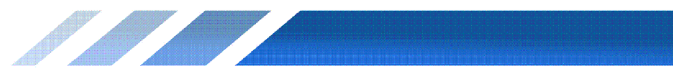
|       |   |   |
|-------|---|---|
| 1B-01 |  | 2 |
| 1B-04 |  | 2 |

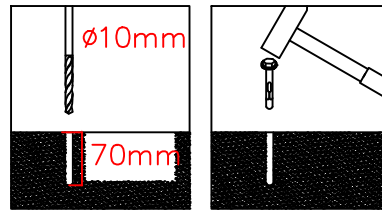
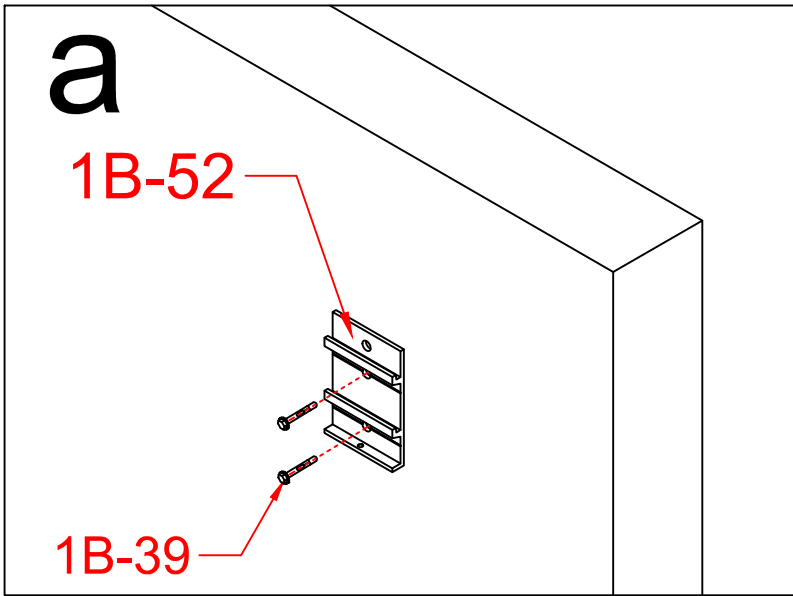




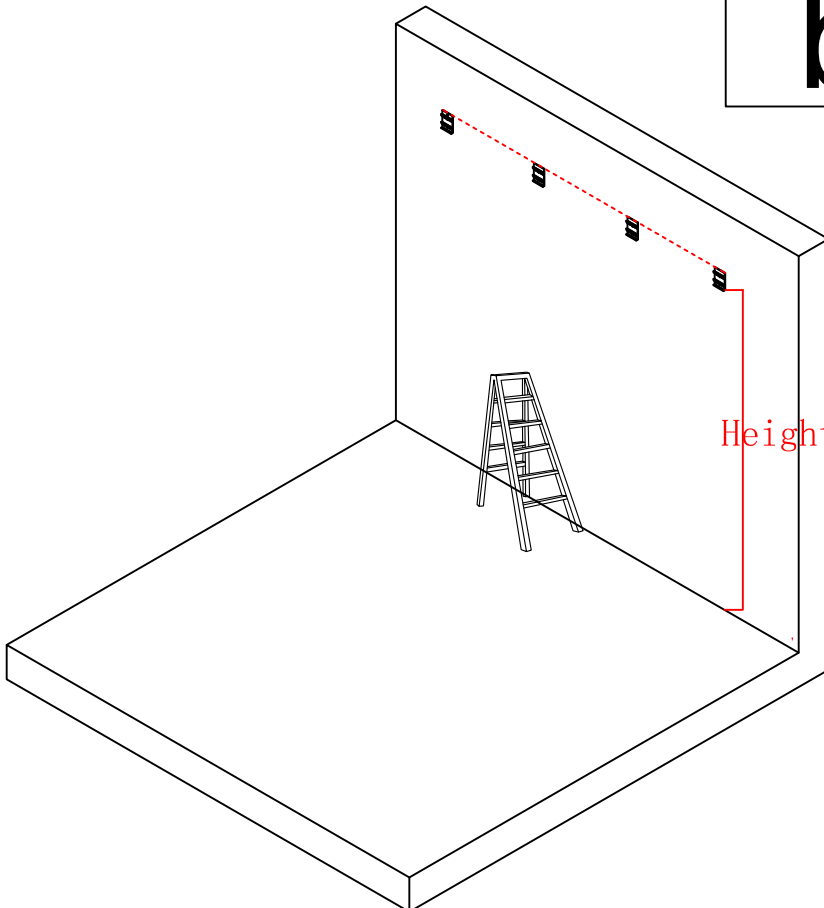
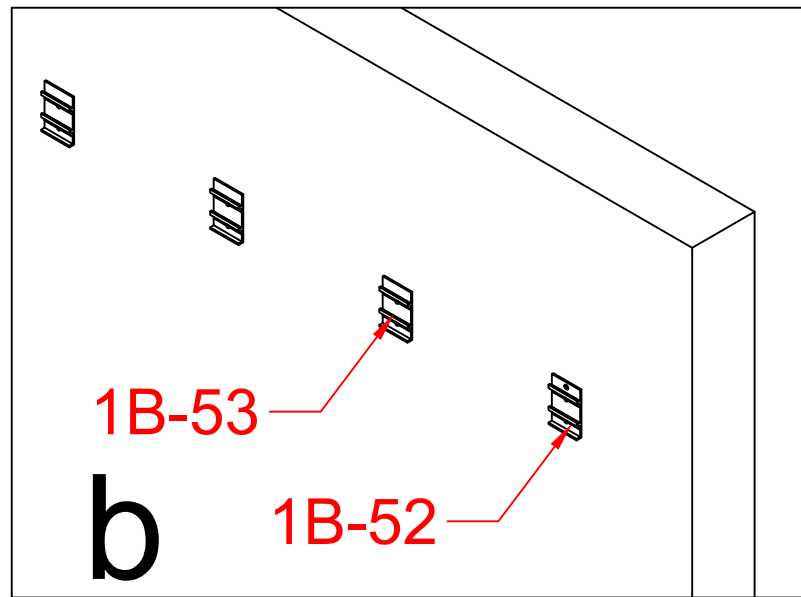


|       |  |  |   |
|-------|--|--|---|
| 1B-03 |  |  | 1 |
| 1B-14 |  |  | 1 |








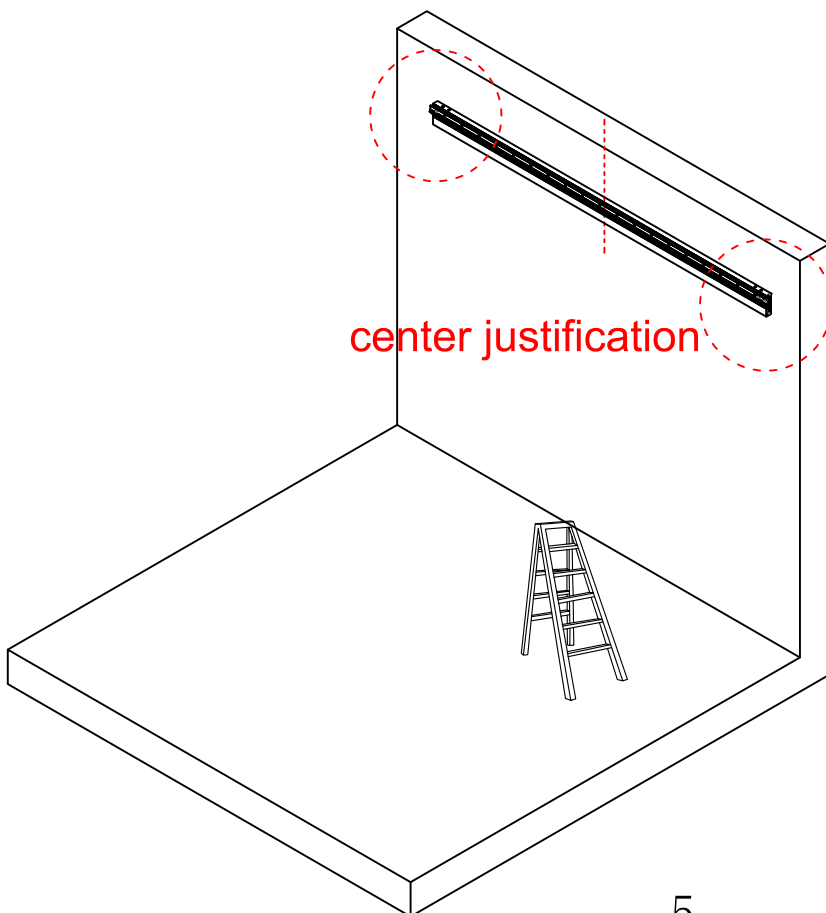
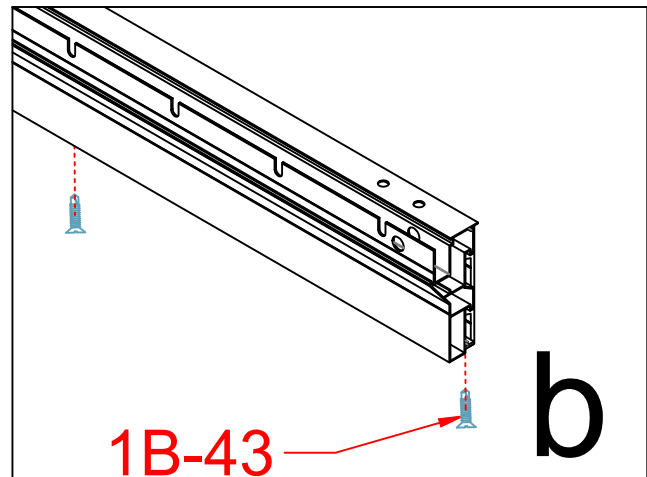
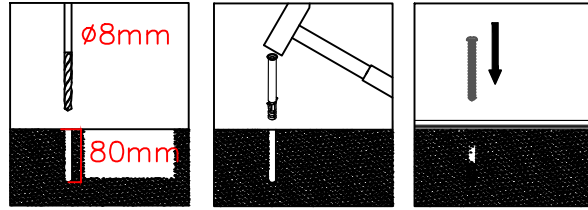
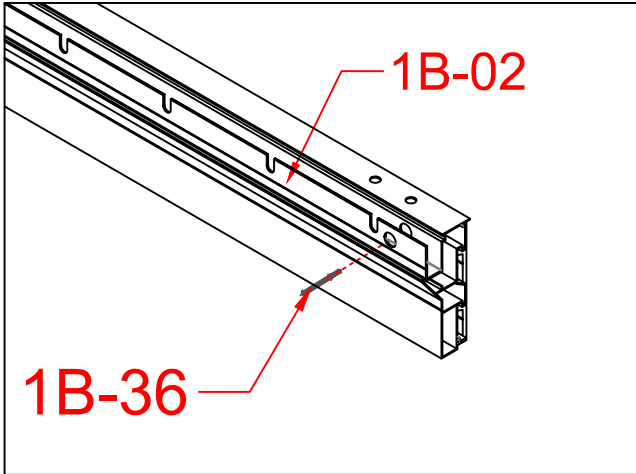
Note: Before installation, make sure the wall must be flat.

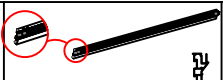




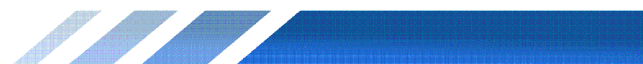
Height = post height + plate height - 150mm

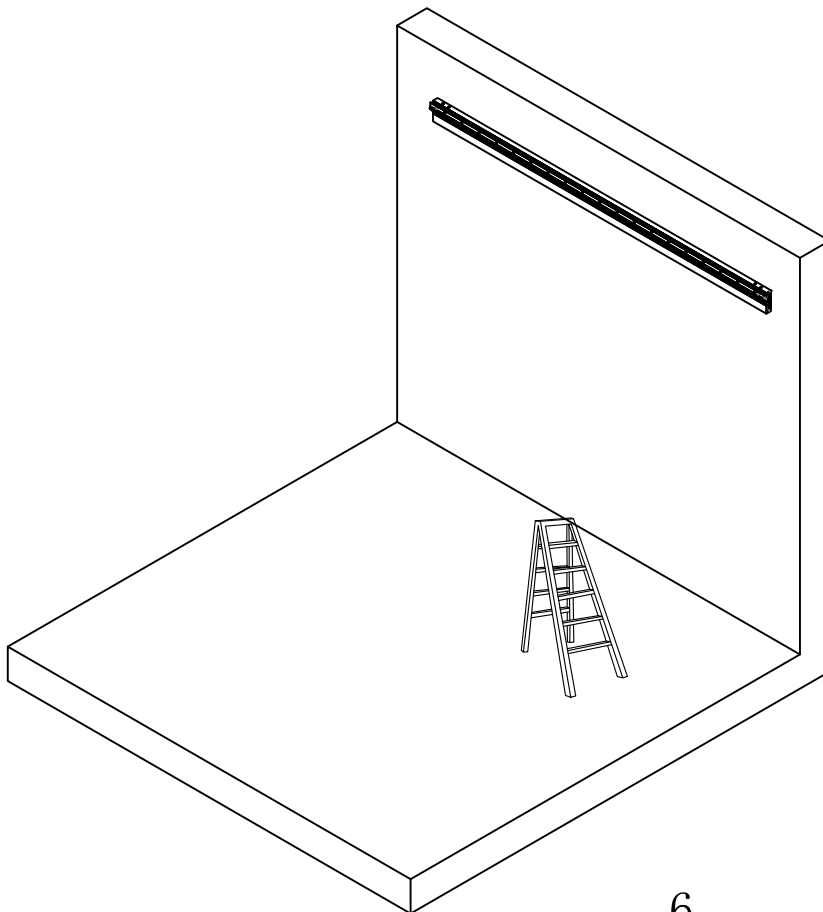
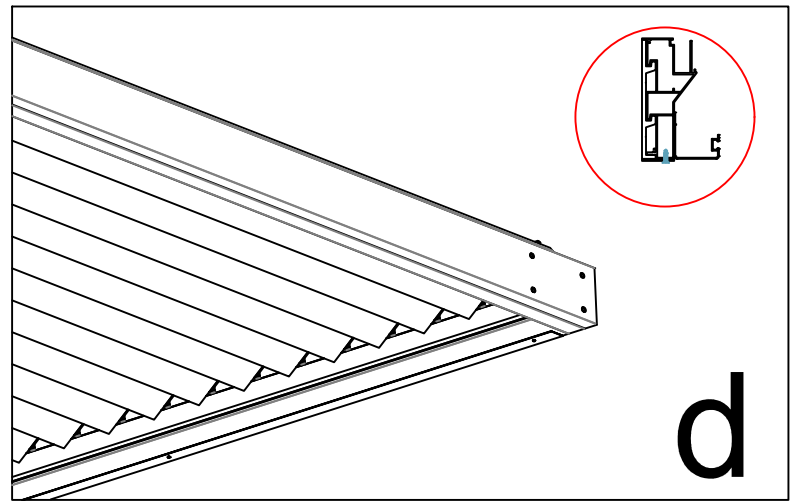
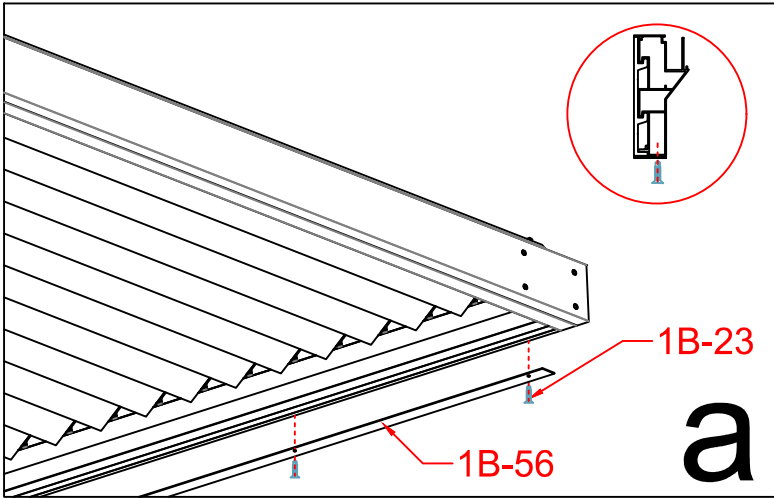
|       |   |    |
|-------|---|----|
| 1B-39 |  | 12 |
| 1B-52 |  | 2  |
| 1B-53 |  | 4  |







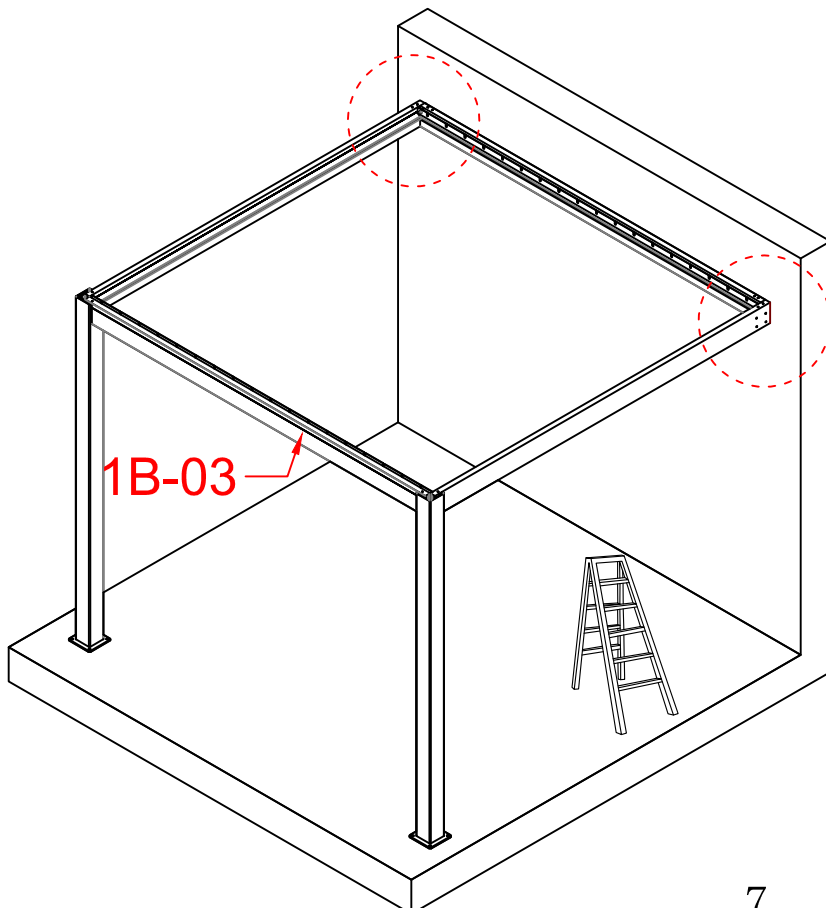
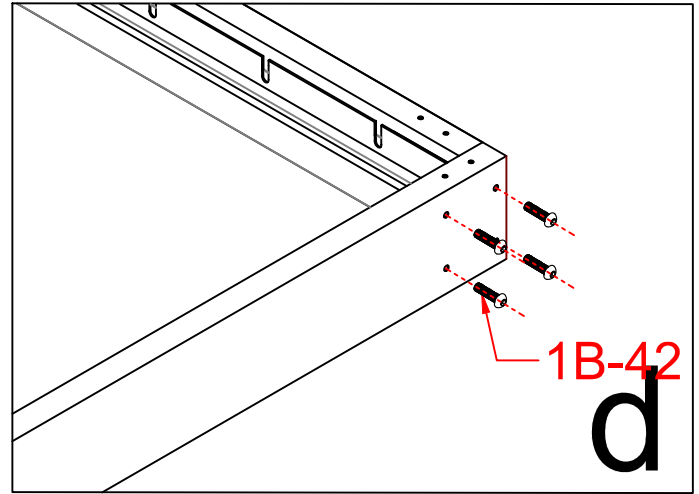
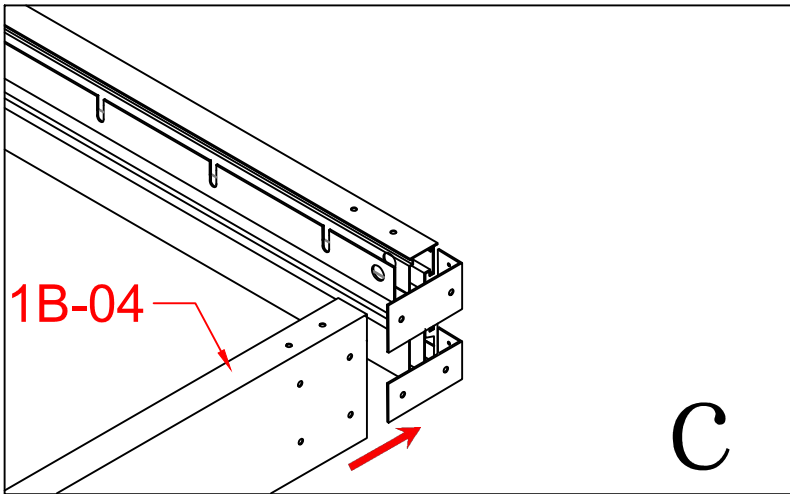
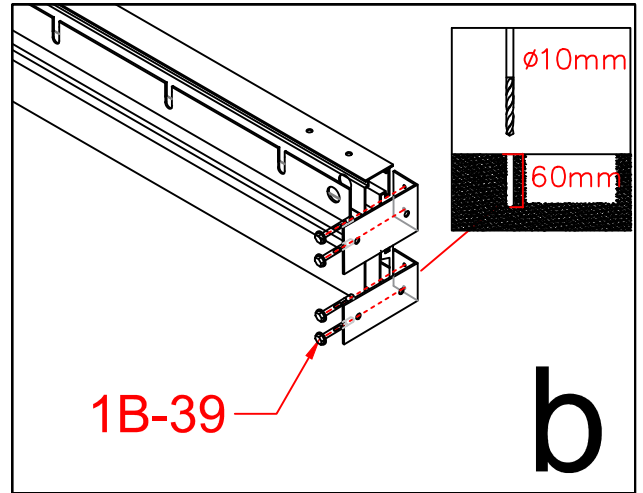
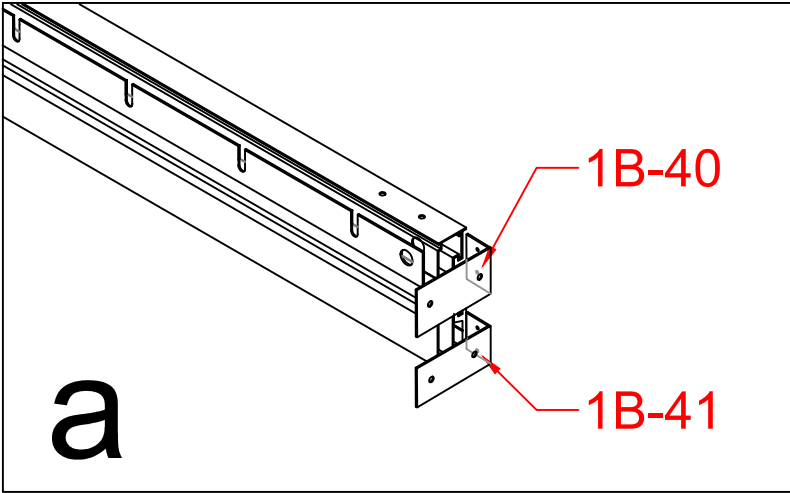
|       |  |   |
|-------|--|---|
| 1B-02 |             | 1 |
| 1B-43 | <br>M4.2*25 | 6 |
| 1B-36 |             | 2 |


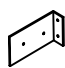

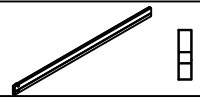



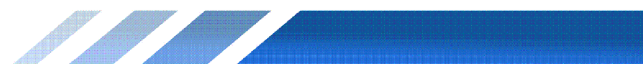


|       |   |   |
|-------|---|---|
| 1B-56 |  | 1 |
| 1B-23 |  | 5 |





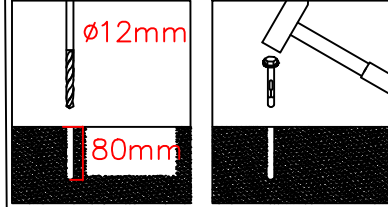
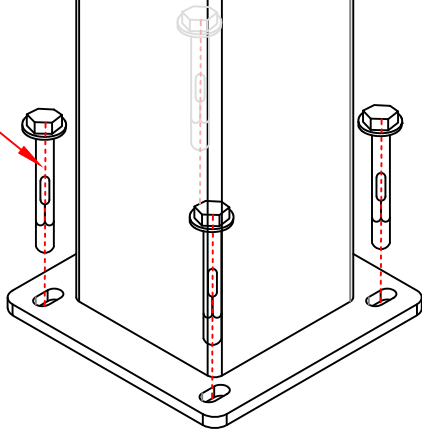
|       |   |   |
|-------|---|---|
| 1B-42 | <br>M10*20 | 8 |
| 1B-40 |            | 2 |
| 1B-41 |            | 2 |
| 1B-04 |            | 2 |
| 1B-39 |            | 8 |





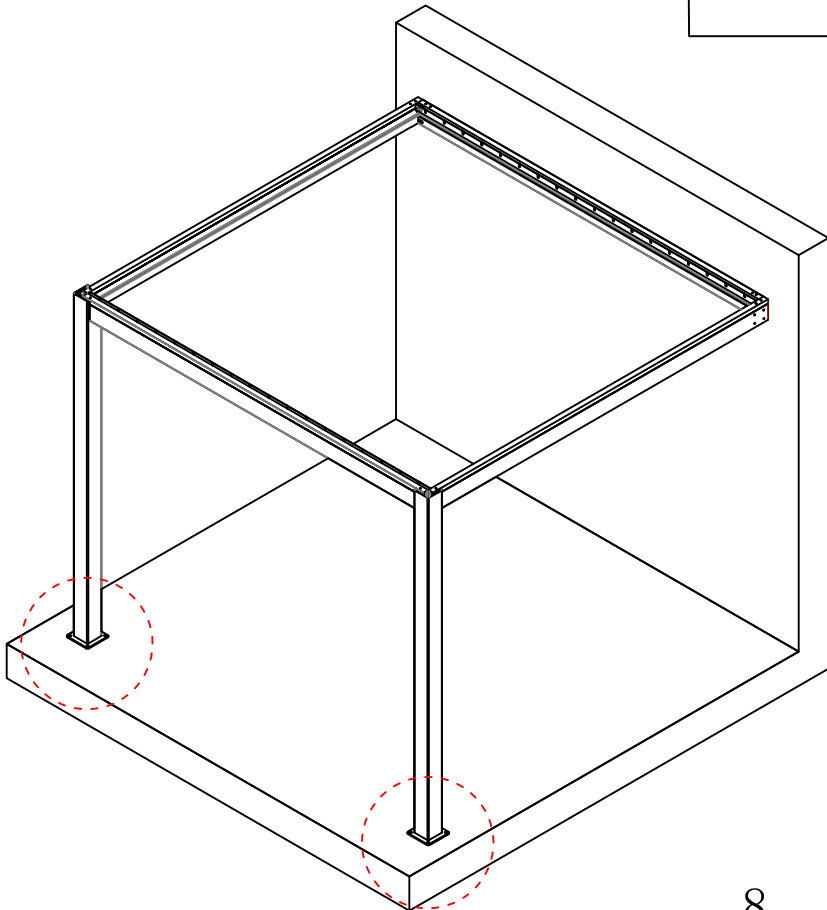
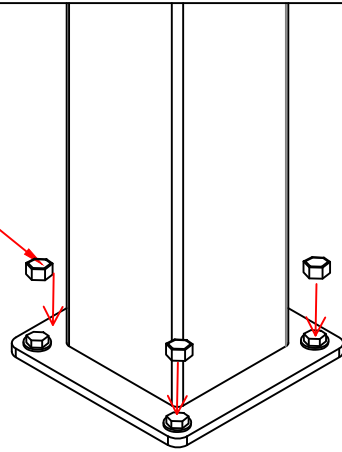
a

1B-21

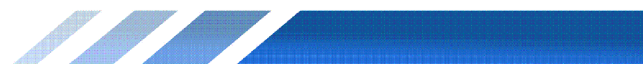


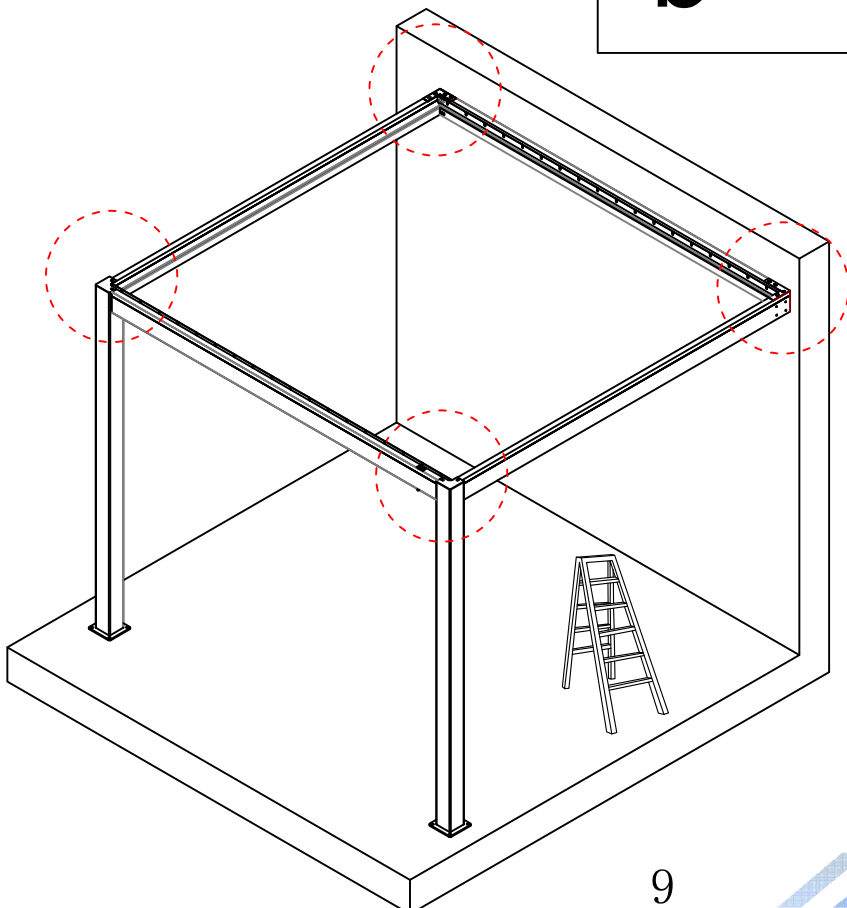
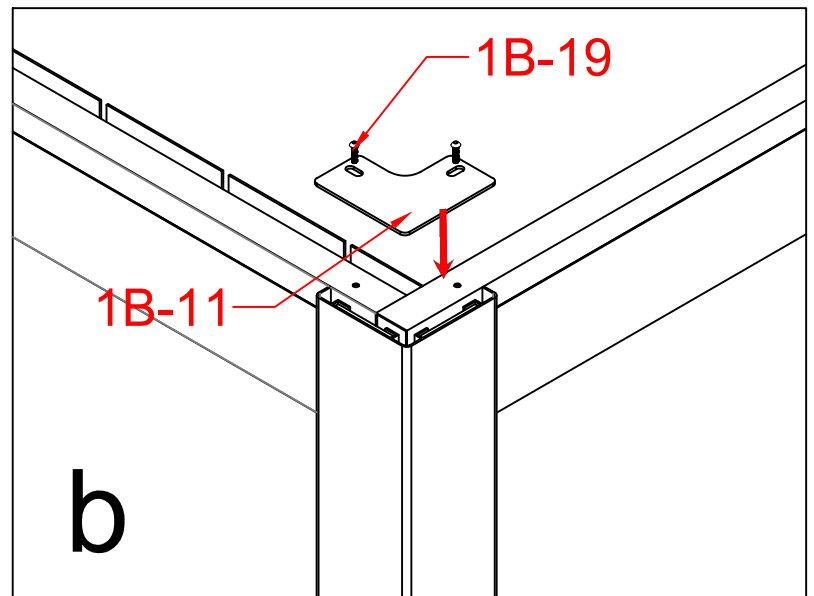
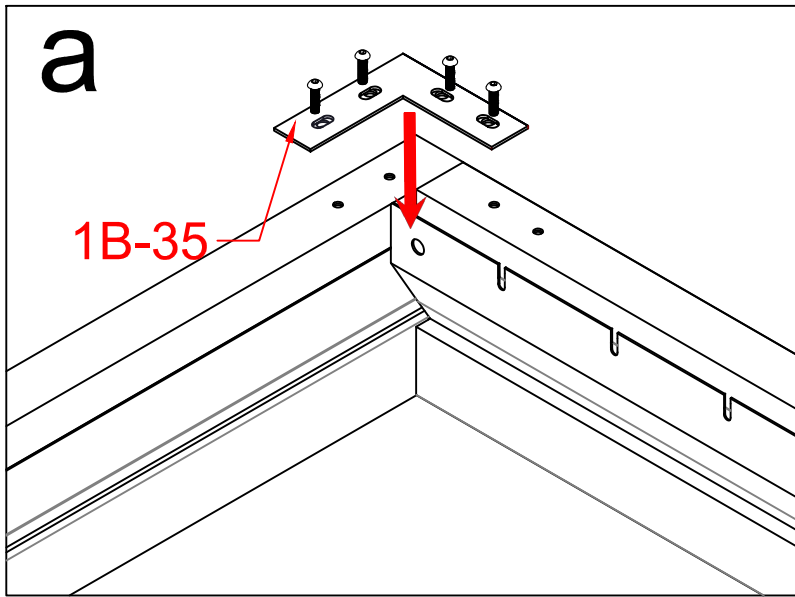
b


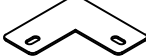

1B-21

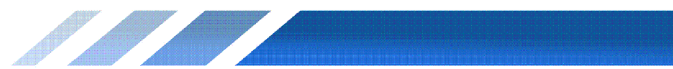


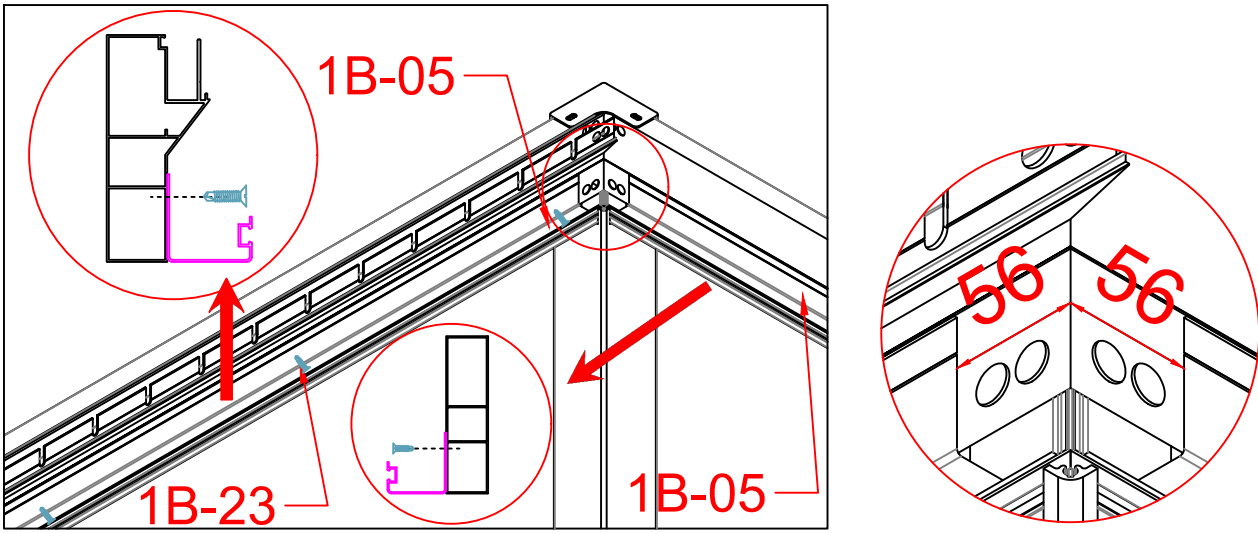
|       |  |   |
|-------|--|---|
| 1B-21 |  | 8 |
|-------|--|---|



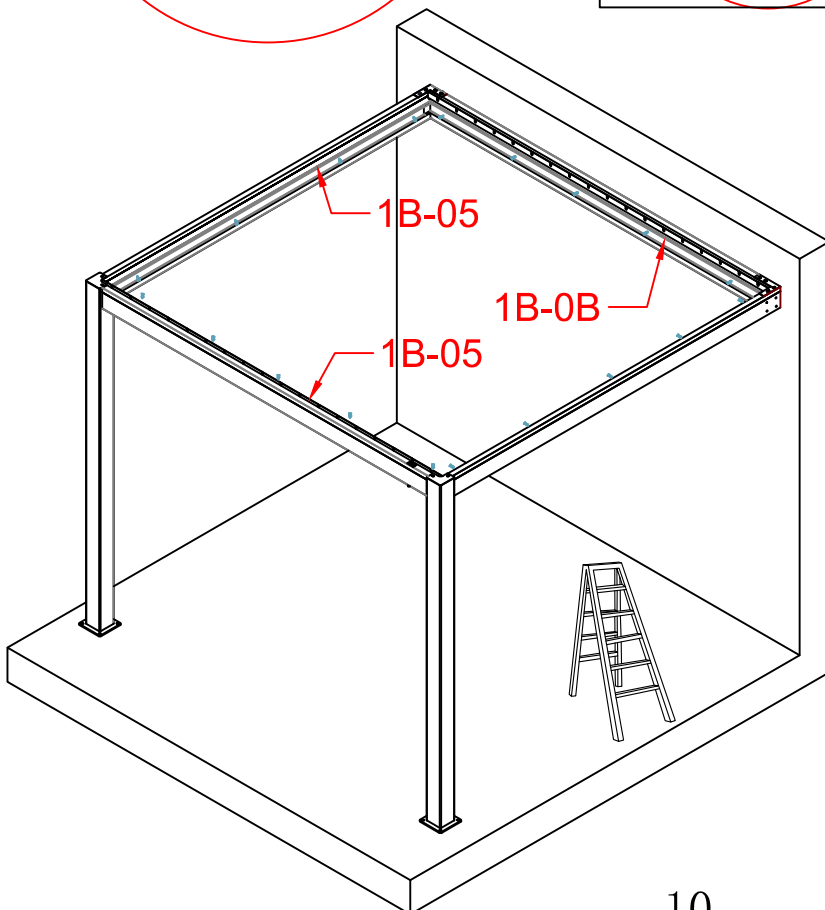
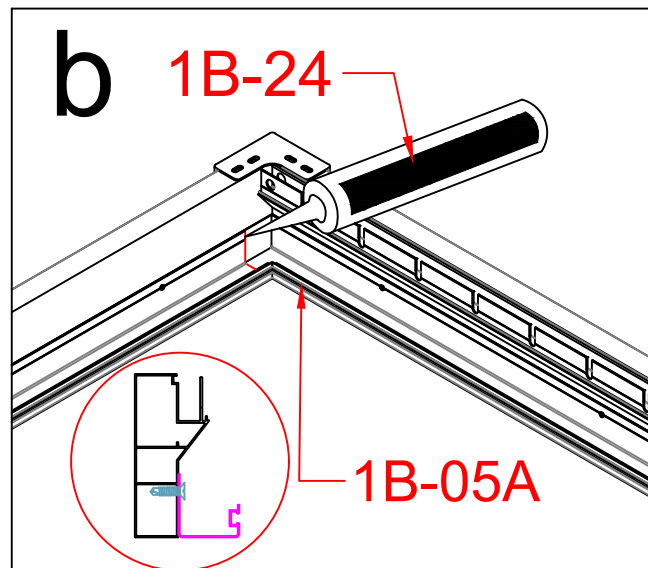
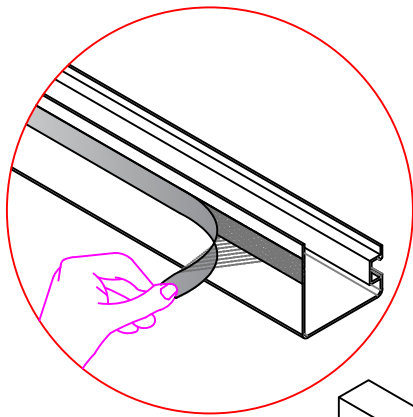


|       |   |    |
|-------|---|----|
| 1B-35 |  | 2  |
| 1B-11 |  | 2  |
| 1B-19 |  | 12 |







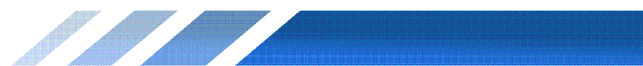


**Warning:**  
Before installation, tear off the protective film of the tape on the back side of Gutter.

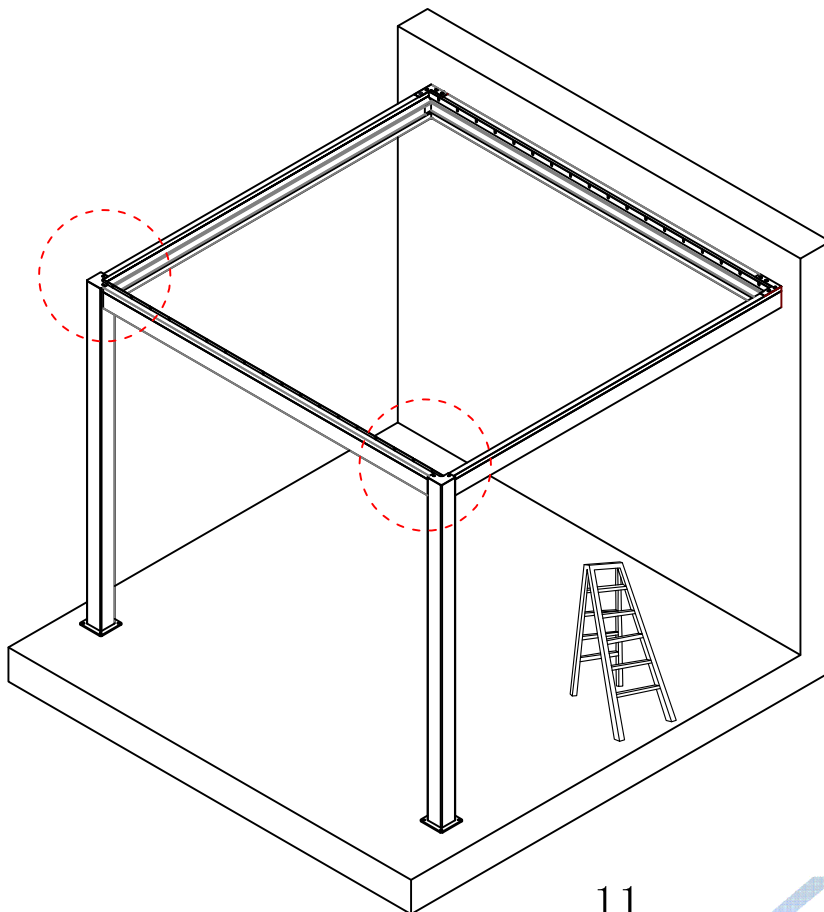
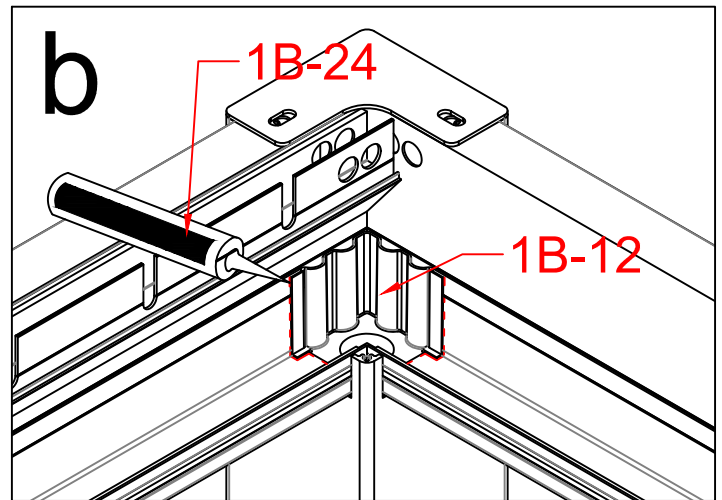
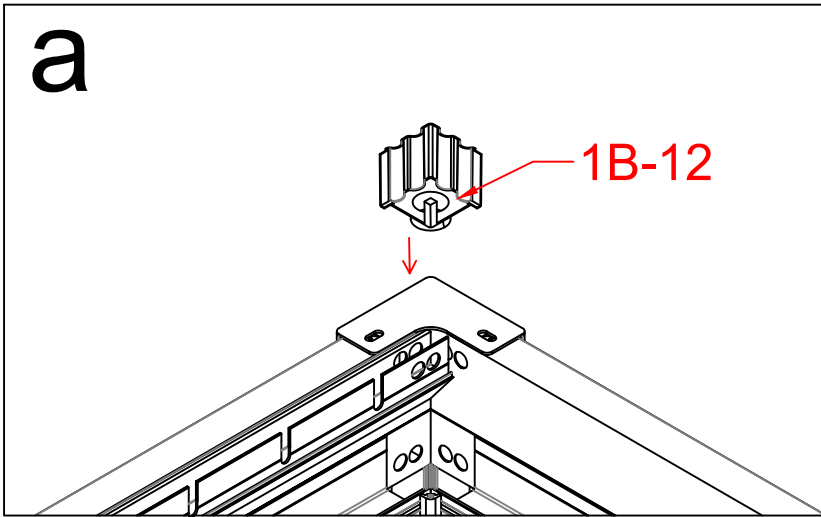


4screws/3m side  
5screws/4m side  
6screws/5m side  
8screws/6m side  
10screws/8m side

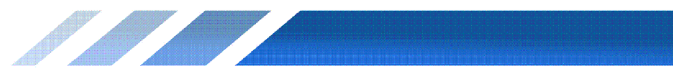
|        |   |   |
|--------|---|---|
| 1B-24  |  | 1 |
| 1B-05  |  | 3 |
| 1B-05A |  | 1 |
| 1B-23  |  | X |

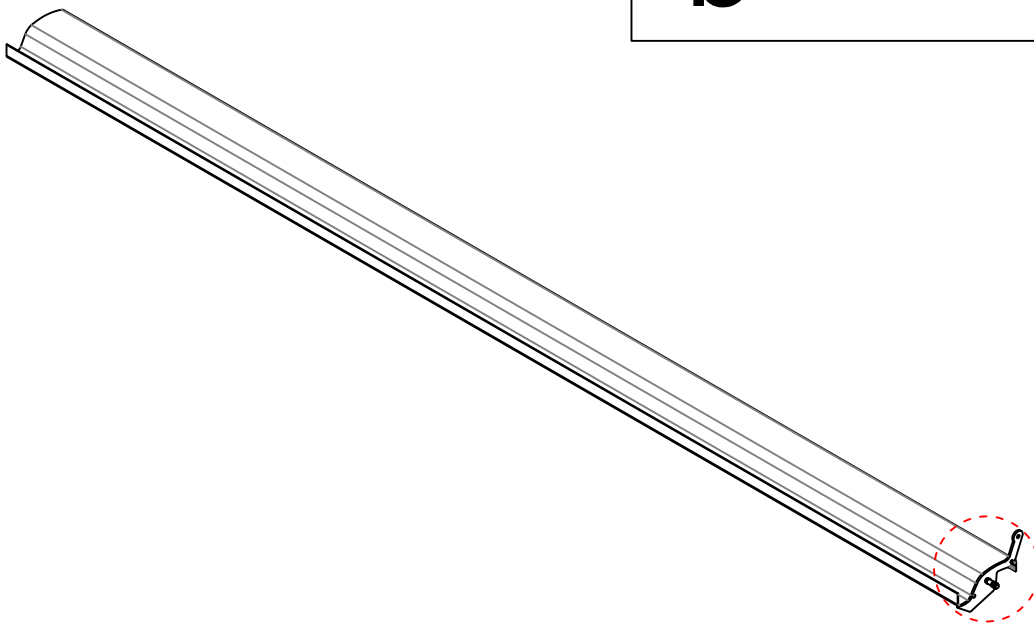
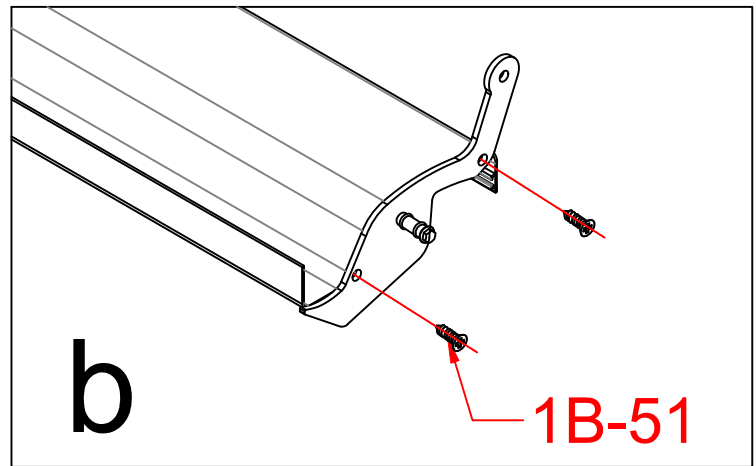
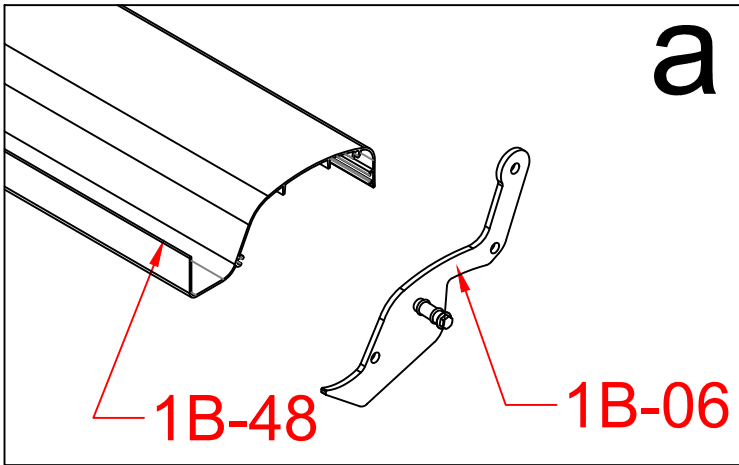







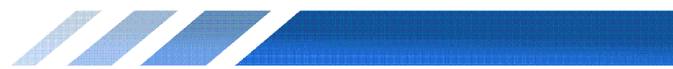


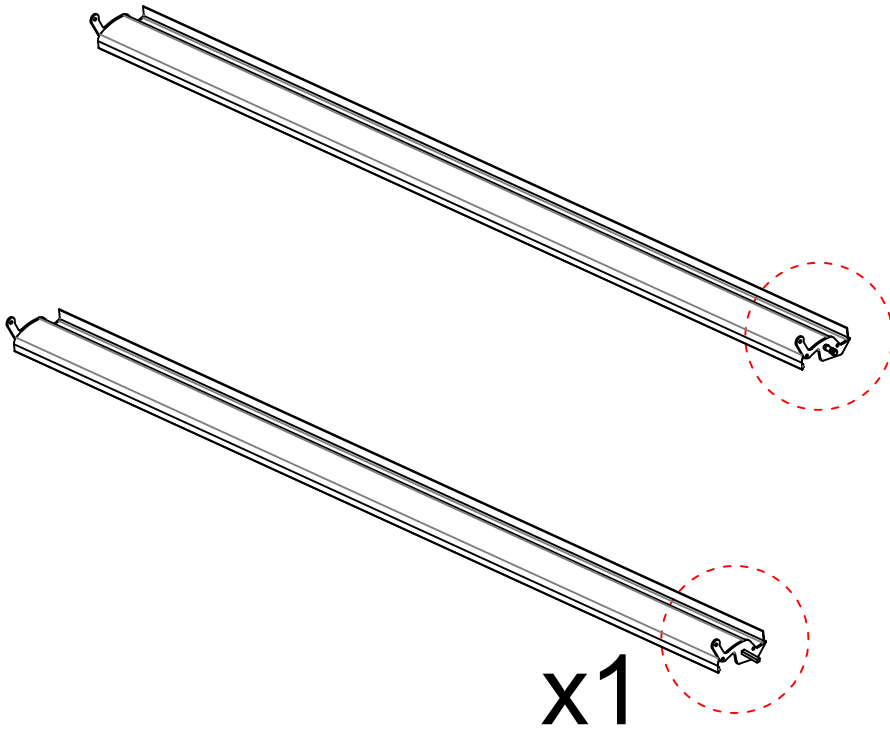
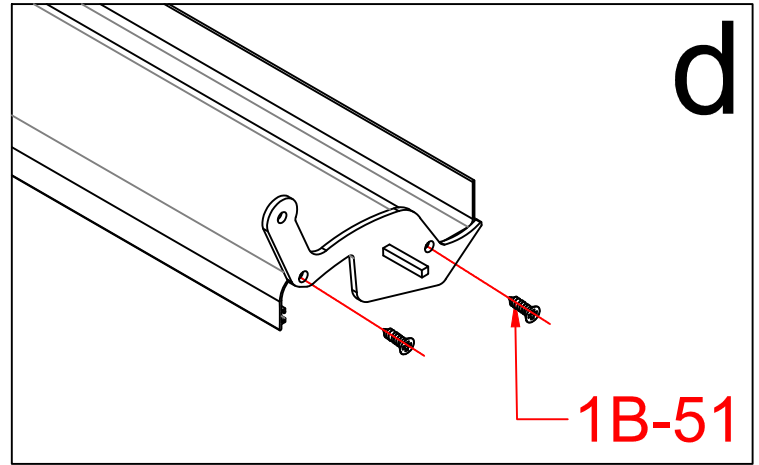
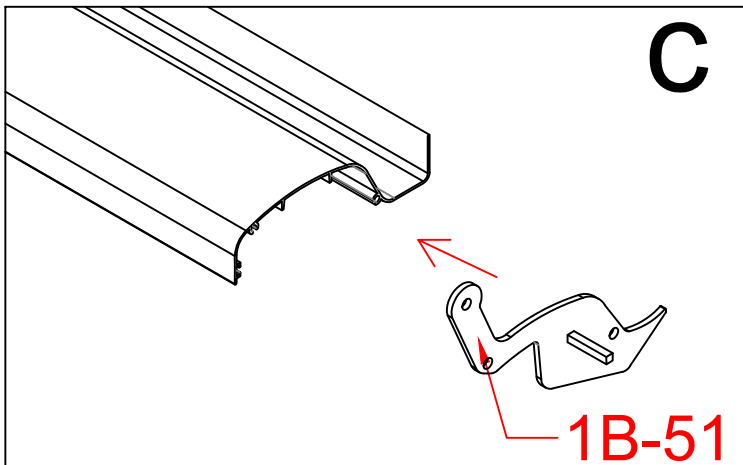
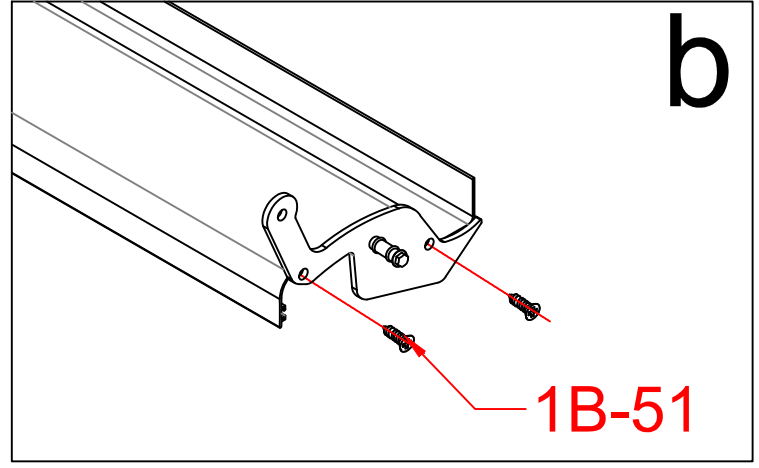
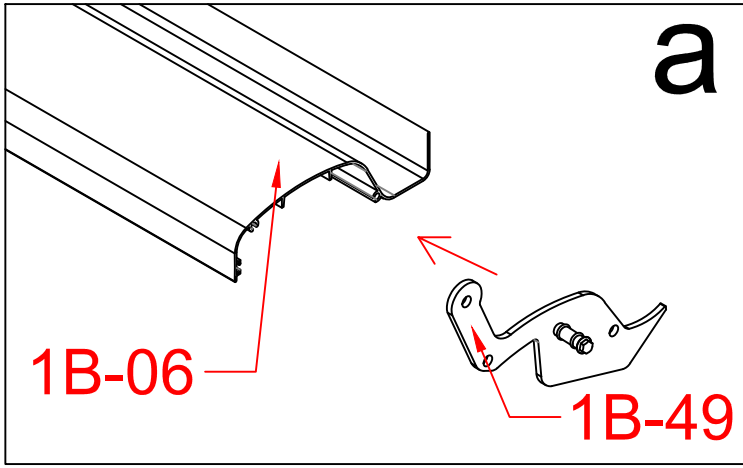
|       |  |   |
|-------|--|---|
| 1B-24 |  | 1 |
| 1B-12 |  | 2 |





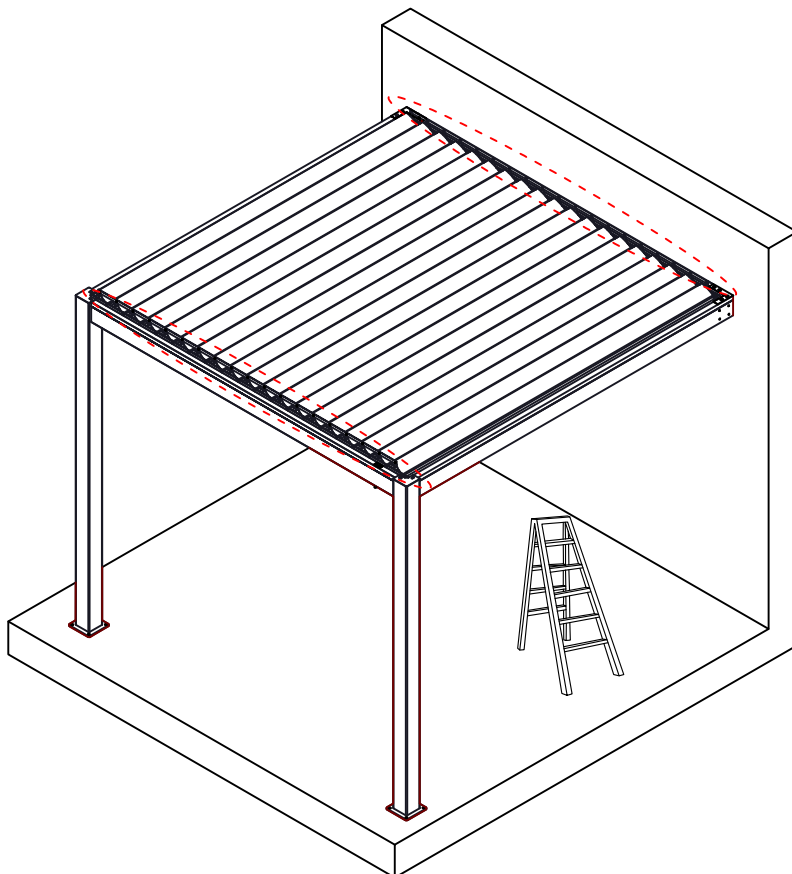
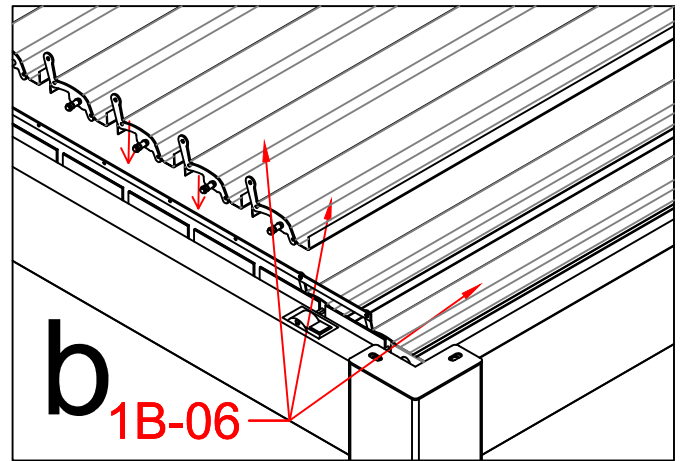
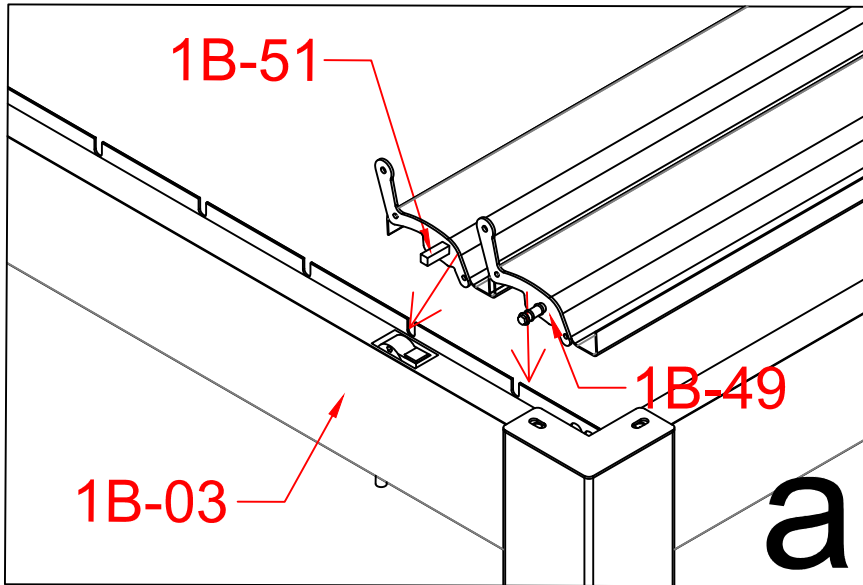
|       |   |     |
|-------|---|-----|
| 1B-51 |  | X*2 |
| 1B-06 |  | X   |
| 1B-48 |  | X   |



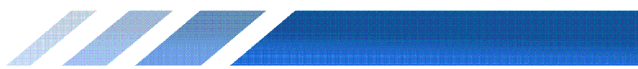


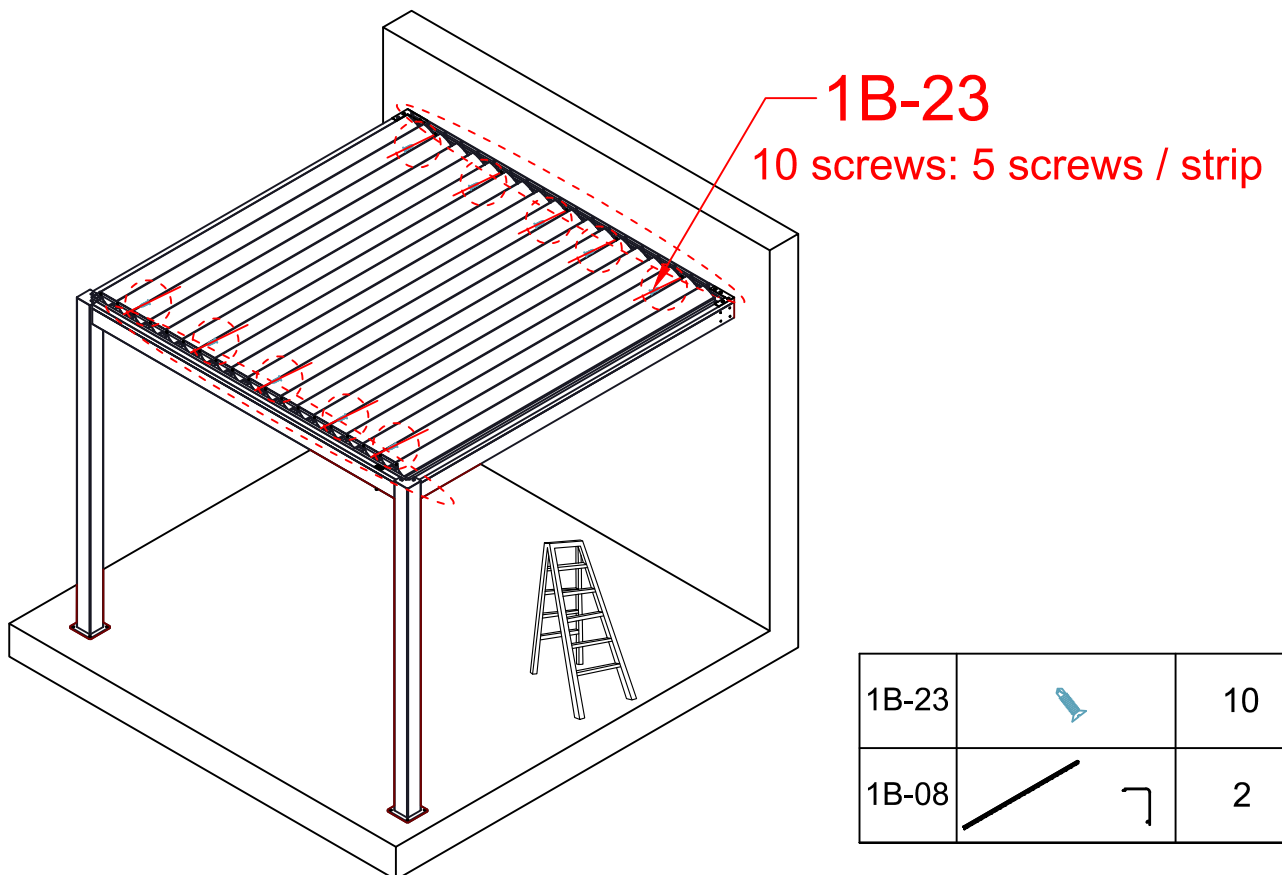
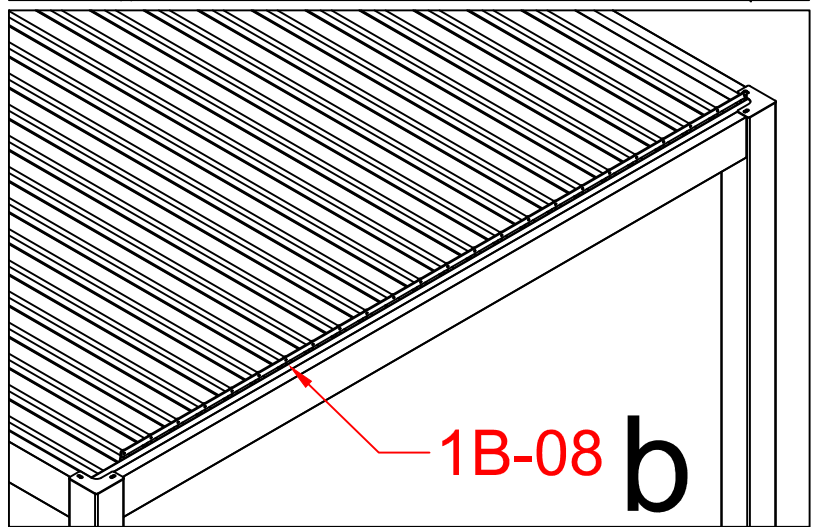
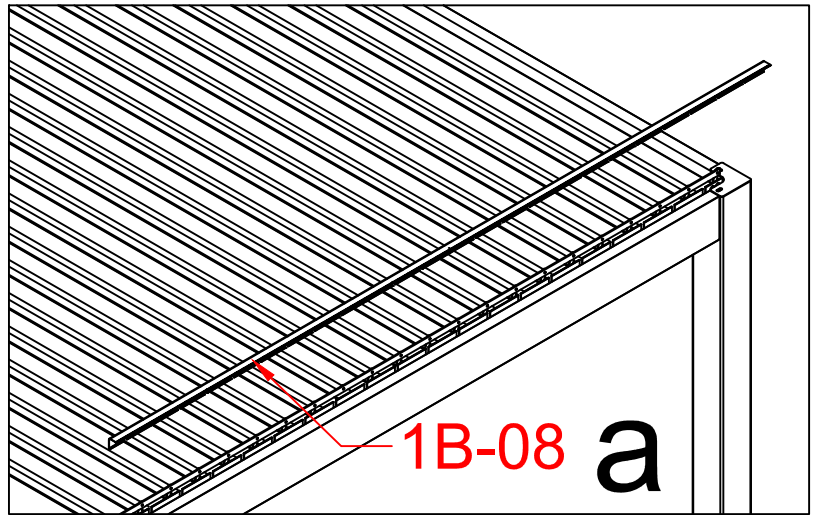
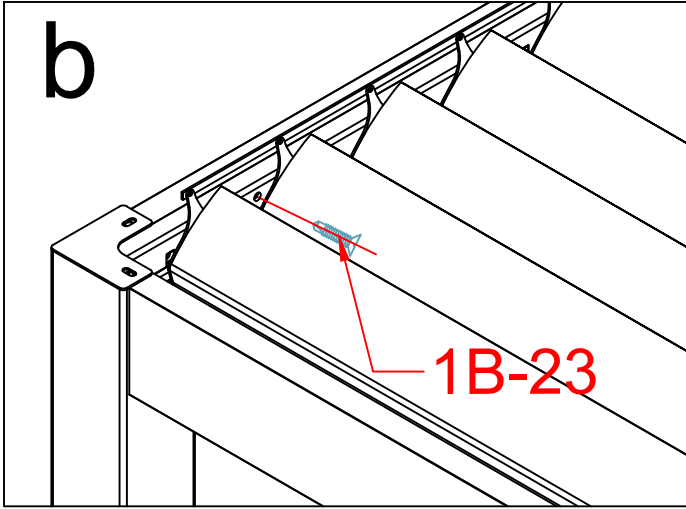
|       |  |   |
|-------|--|---|
| 1B-49 |  | X |
| 1B-50 |  | 1 |
| 1B-51 |  | X |





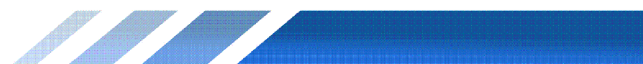


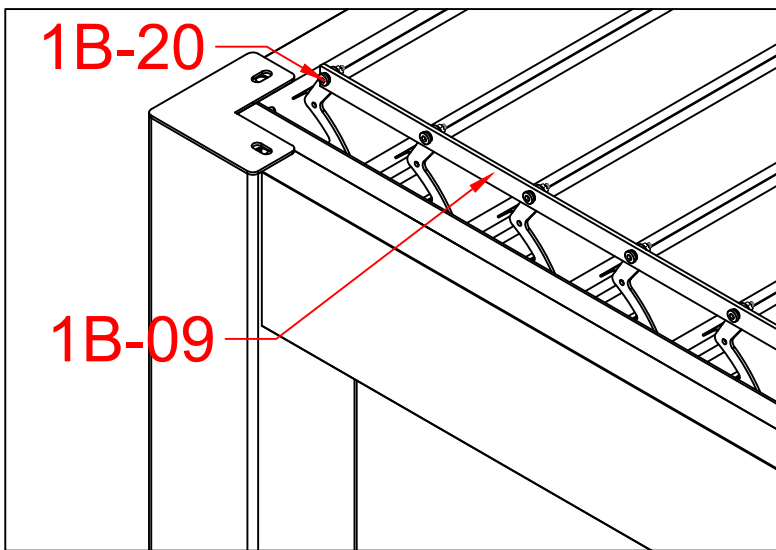
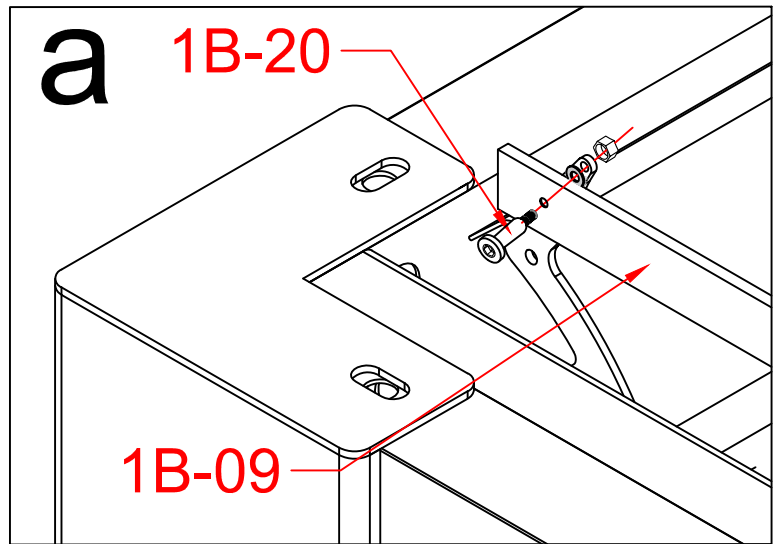
|       |  |   |
|-------|--|---|
| 1B-06 |  | X |
|-------|--|---|



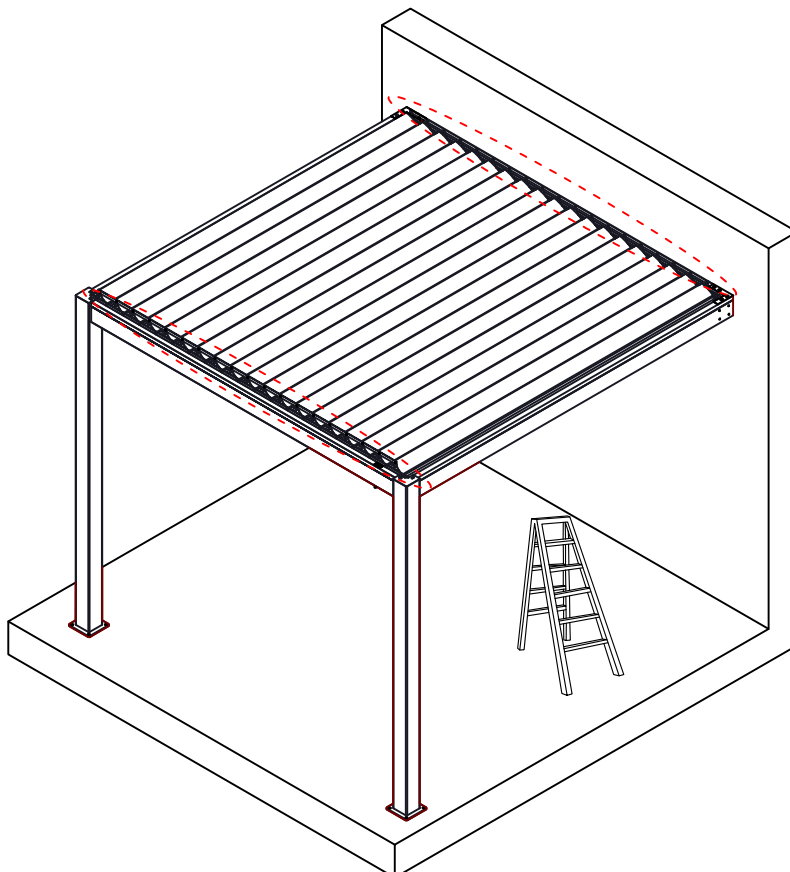


|       |   |    |
|-------|---|----|
| 1B-23 |  | 10 |
| 1B-08 |  | 2  |

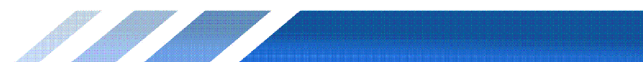


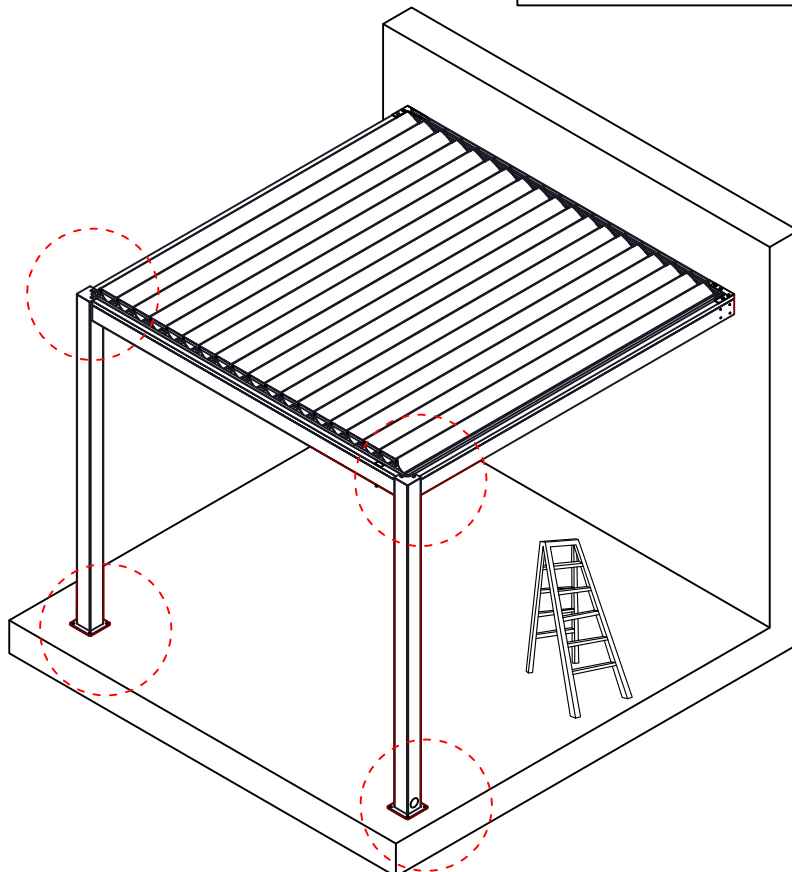
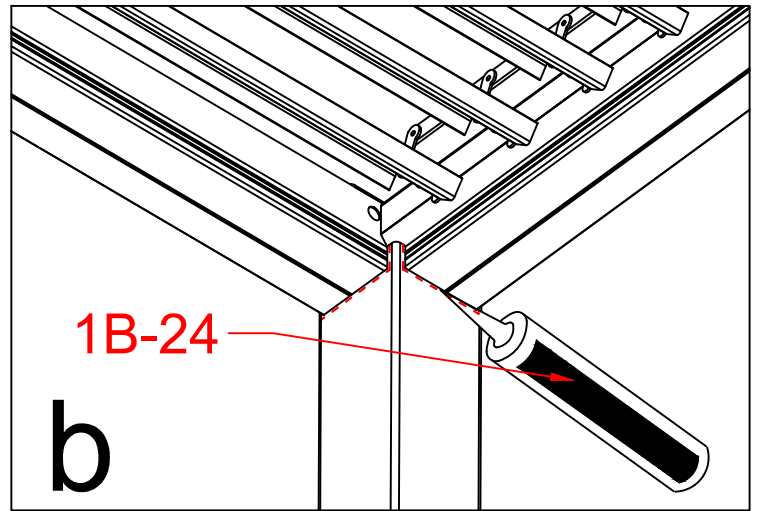
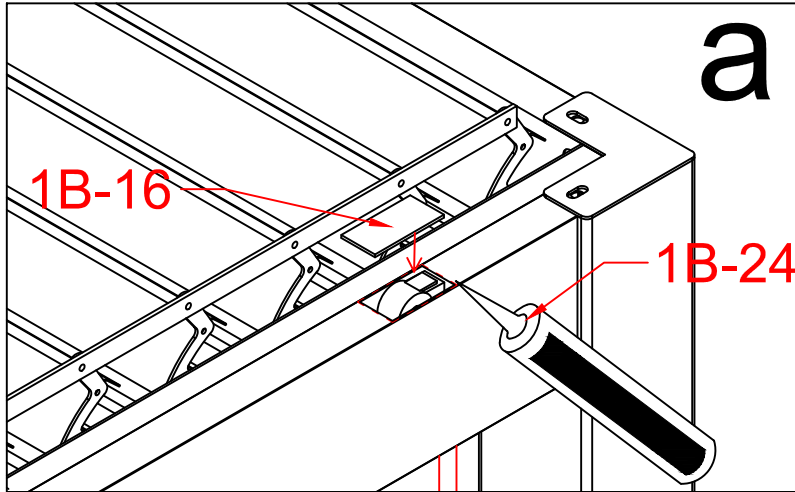


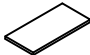

**b**

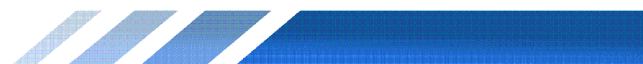


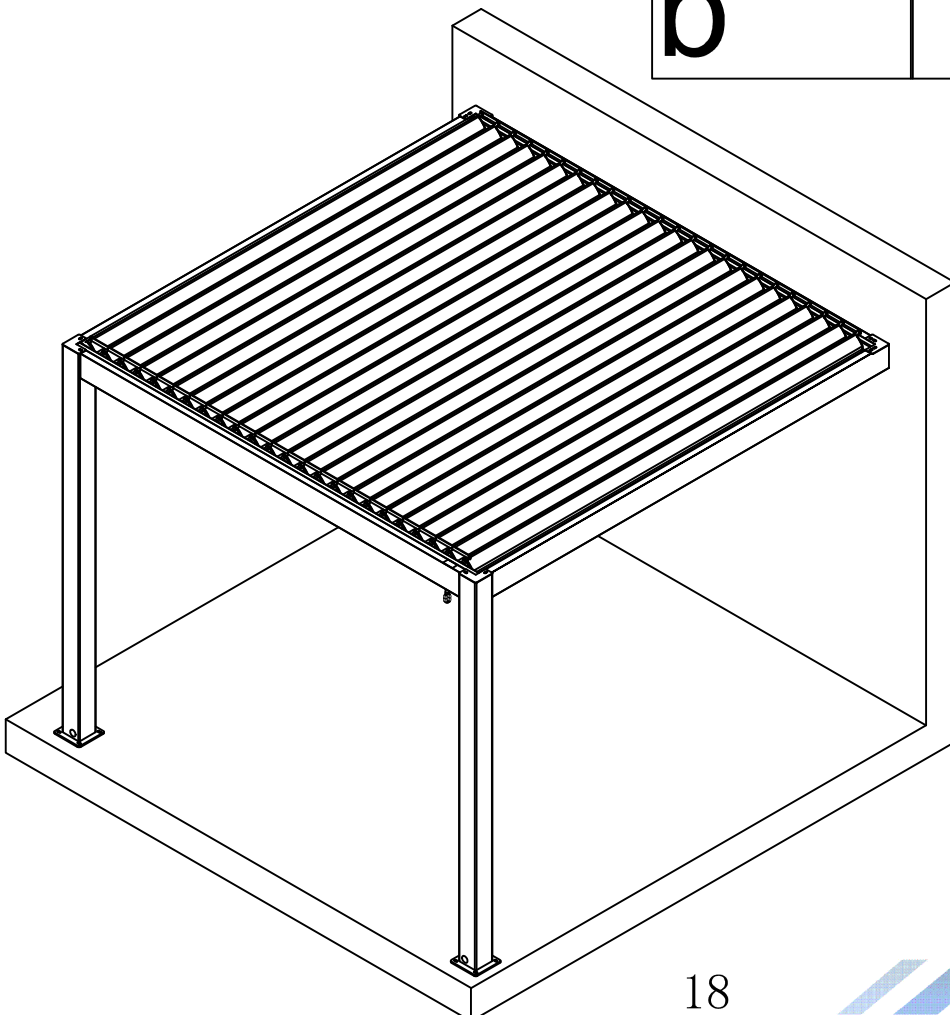
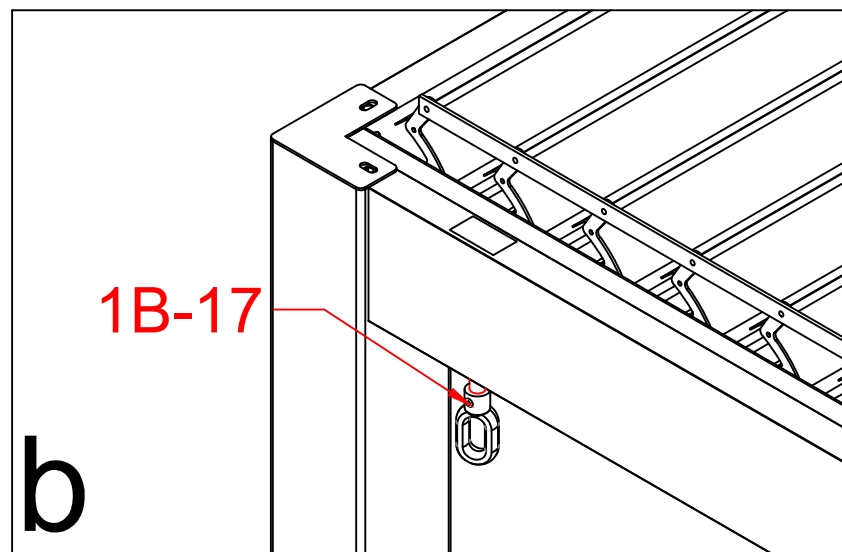
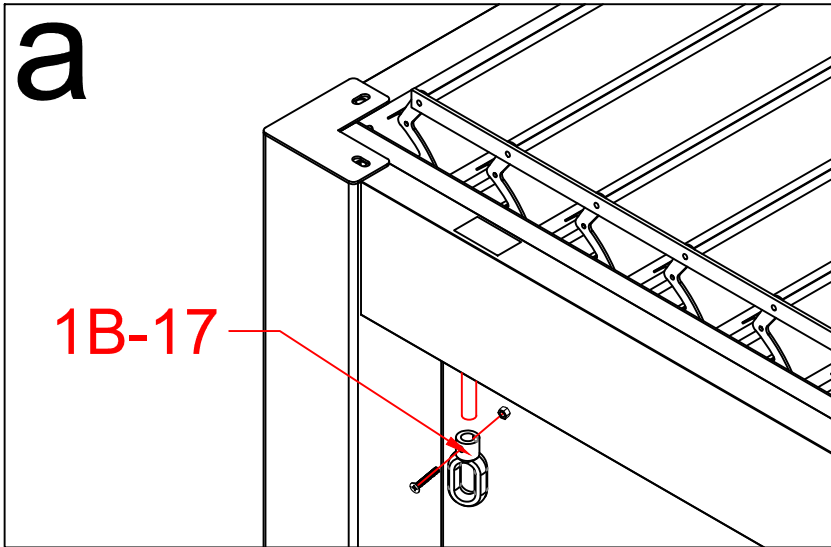
|       |  |   |
|-------|--|---|
| 1B-09 |  | 2 |
| 1B-20 |  | X |








|       |   |   |
|-------|---|---|
| 1B-16 |  | 1 |
| 1B-24 |  | 1 |

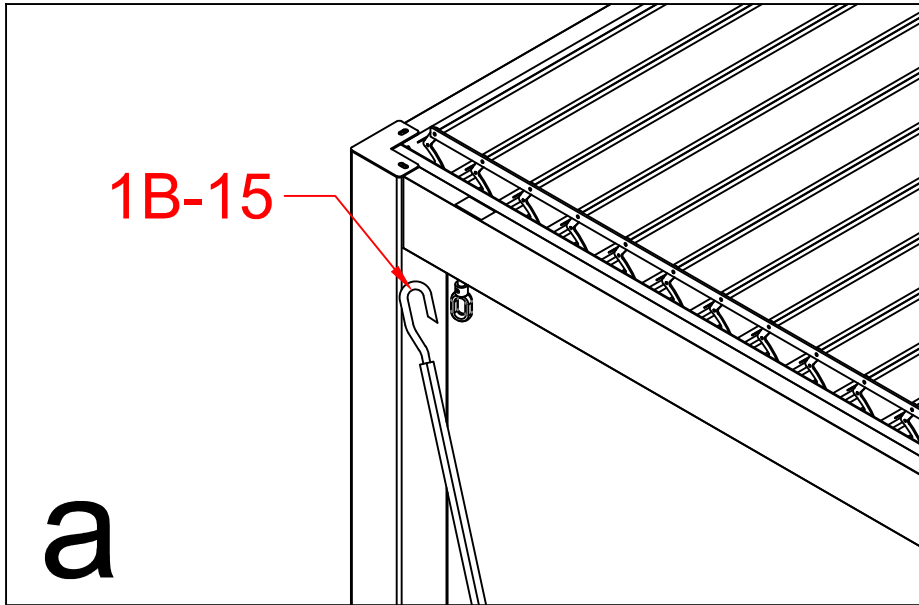




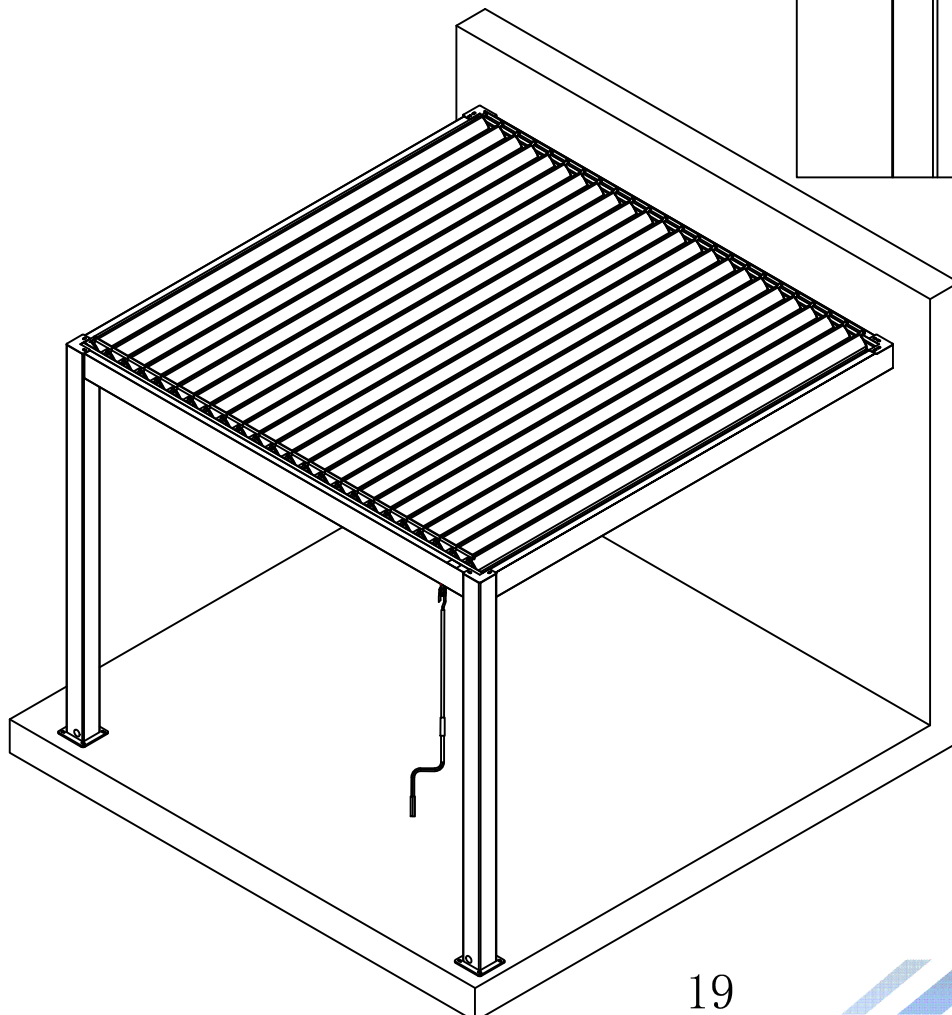
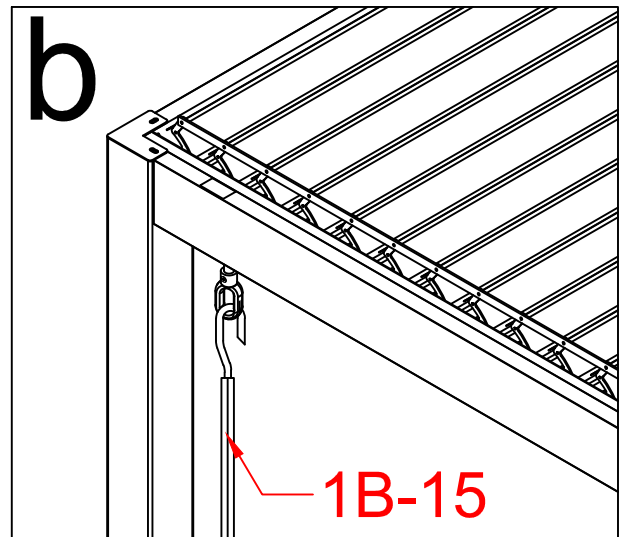
|       |   |   |   |   |
|-------|---|---|---|---|
| 1B-17 |  | +  |  | 1 |
|-------|---|---|---|---|







**Warning**  
In Snow / Wind season or in case of snow / wind forecast open up your shutters in vertical position to avoid any damaging on your pergola.



|       |  |   |
|-------|--|---|
| 1B-15 |  | 1 |
|-------|--|---|

