



QUEEN PERGOLA FREE STANDING 4 POSTS

ELECTRIC 4x4m





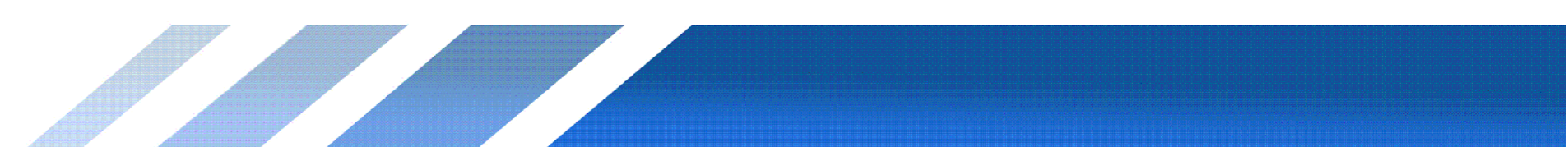
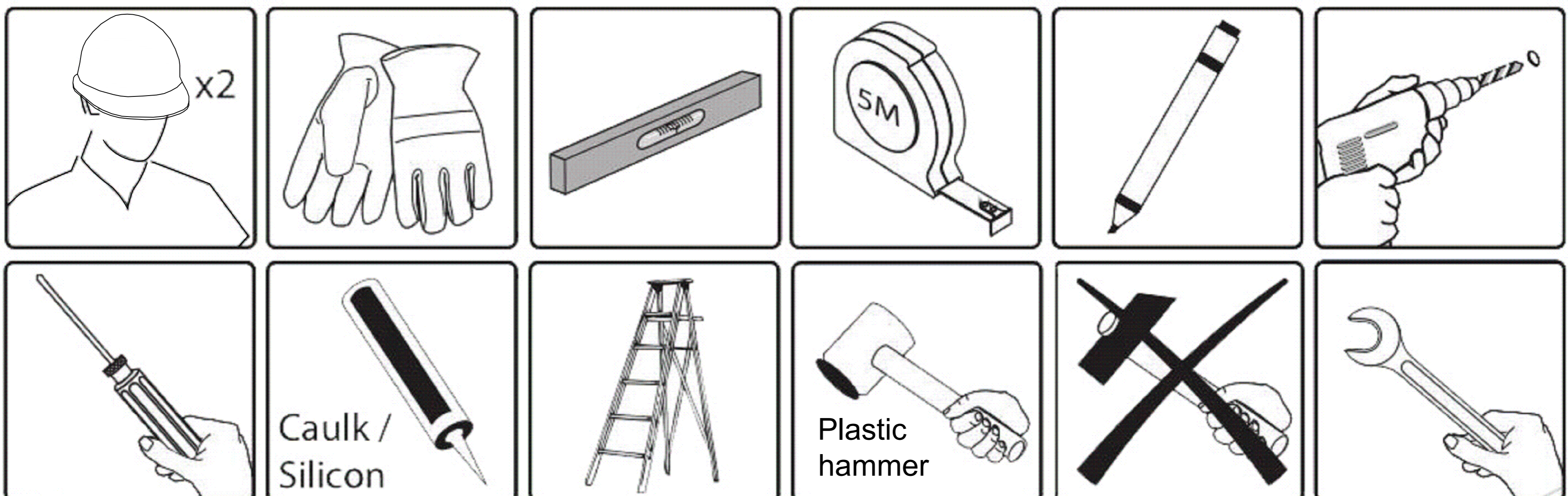
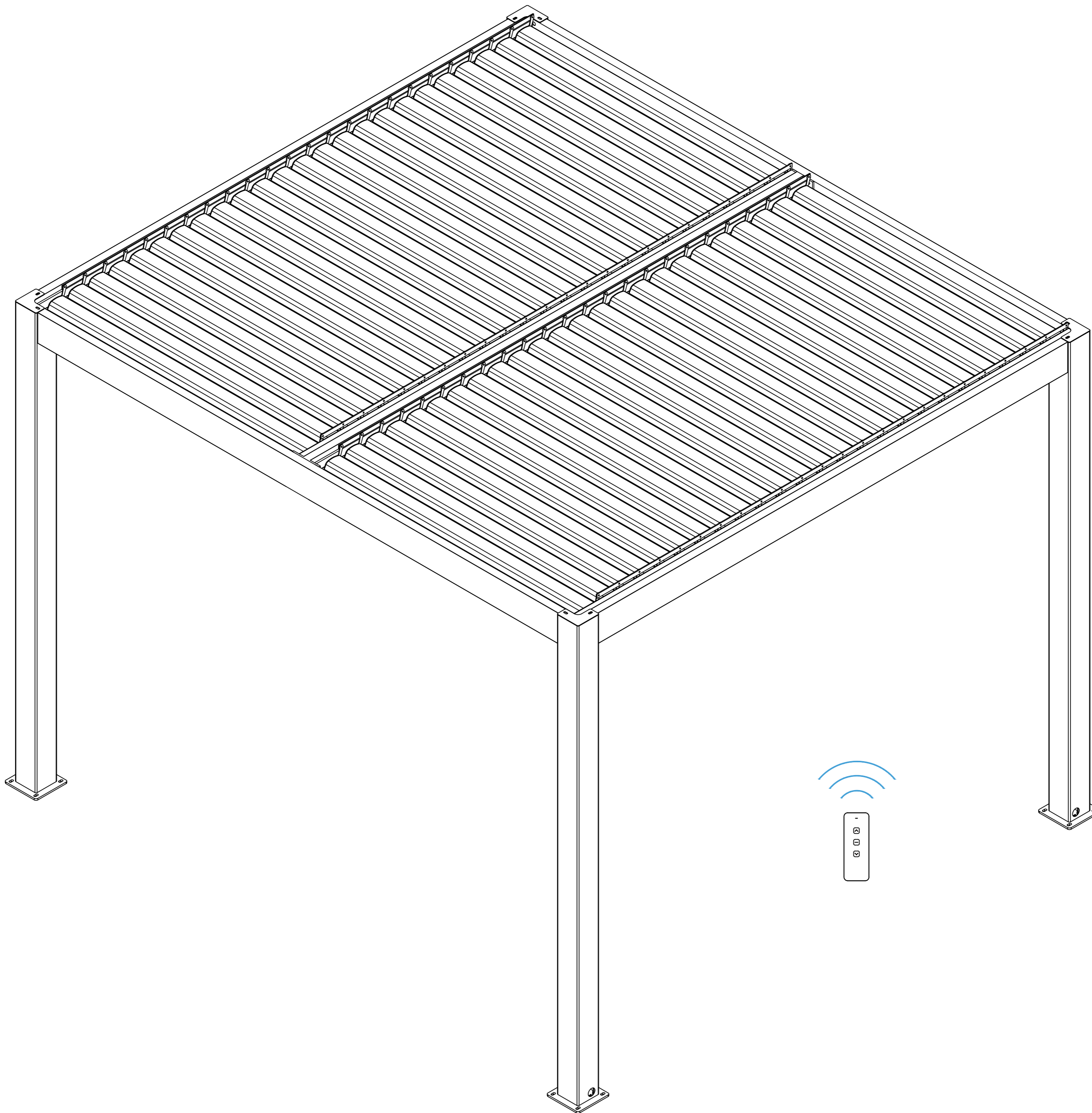
Installation and Wind Management Guidelines

1. Installation on Various Surfaces

For WPC (Wood Plastic Composite), antiseptic wood, ceramic, or stone flooring, it is essential to either concrete the post directly or construct a 50cm concrete foundation beneath the base plate to secure it firmly.

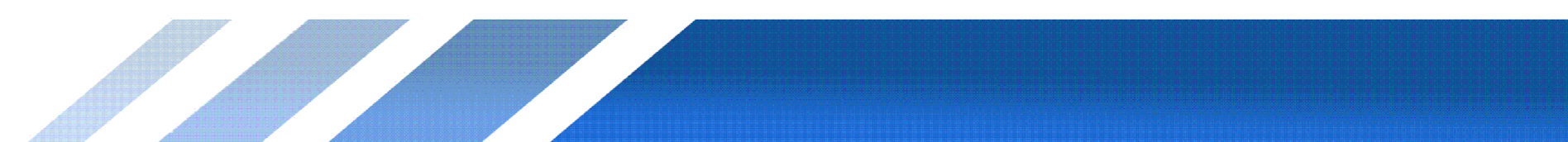
2. Wind Management

In the event of strong winds, the louvers must be opened to maintain proper air circulation and minimise wind resistance.”

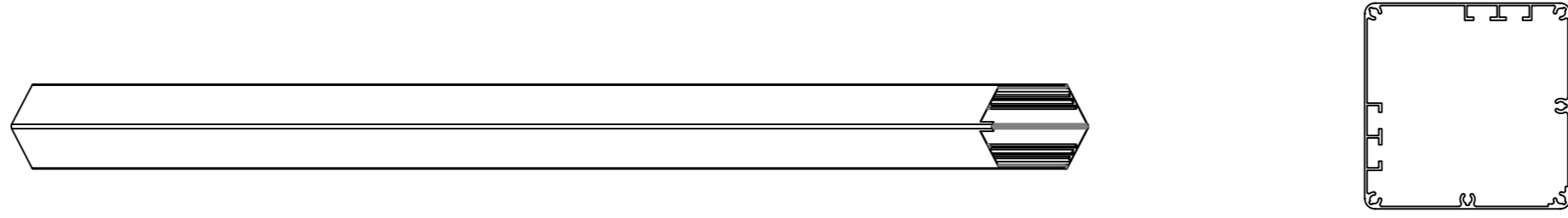
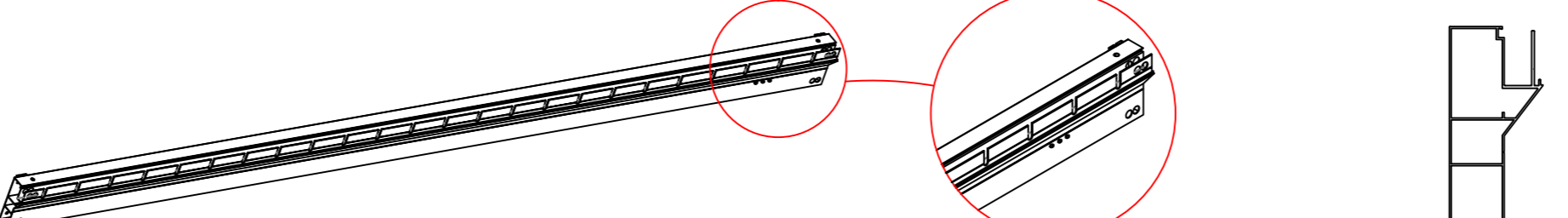
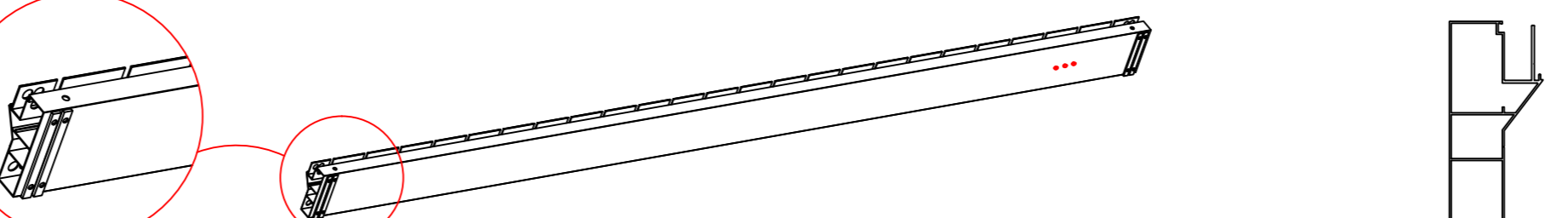
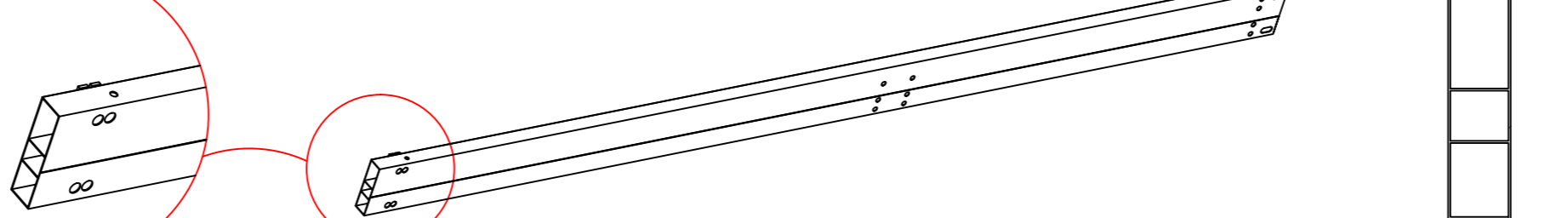
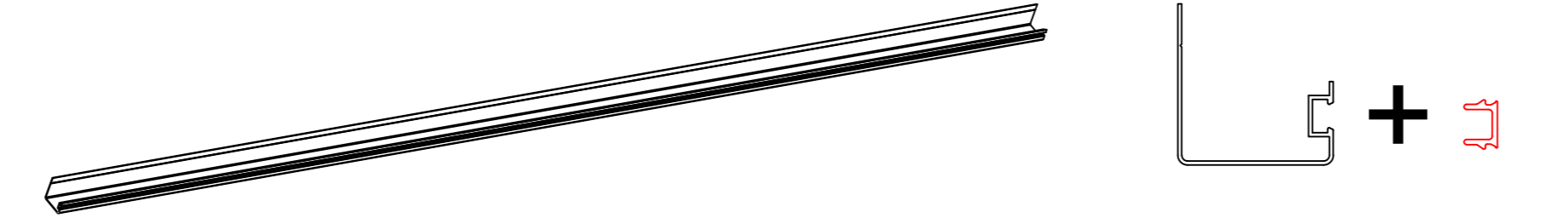
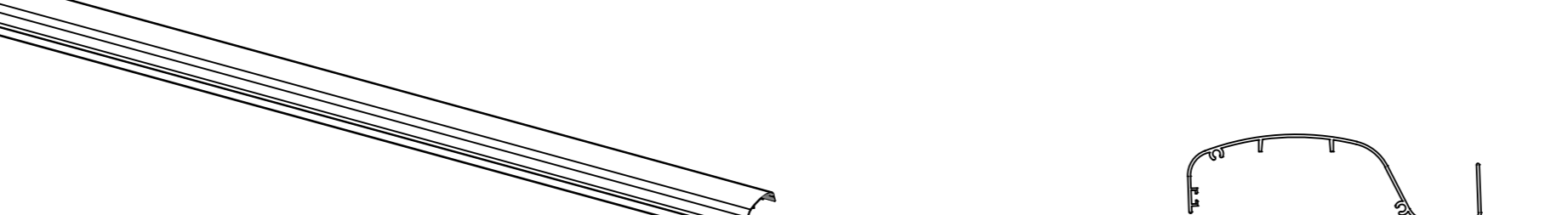
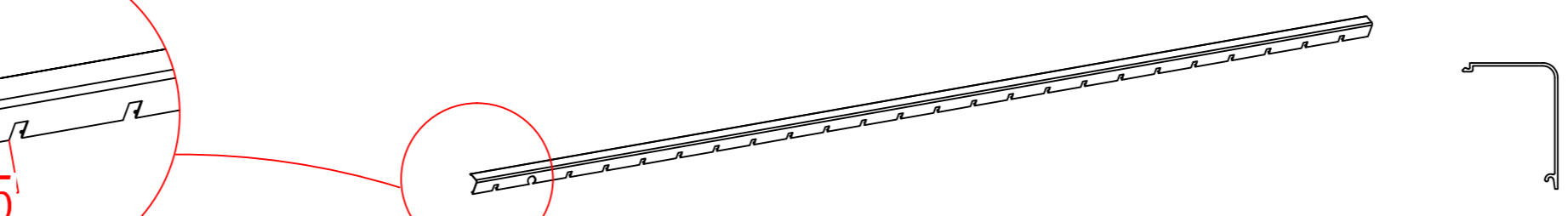
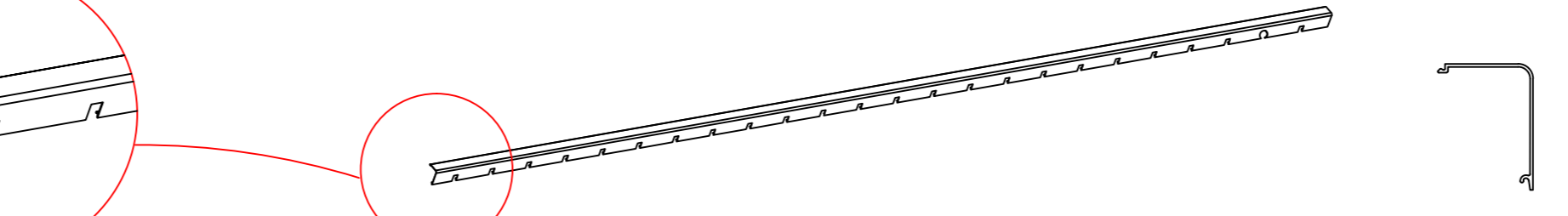
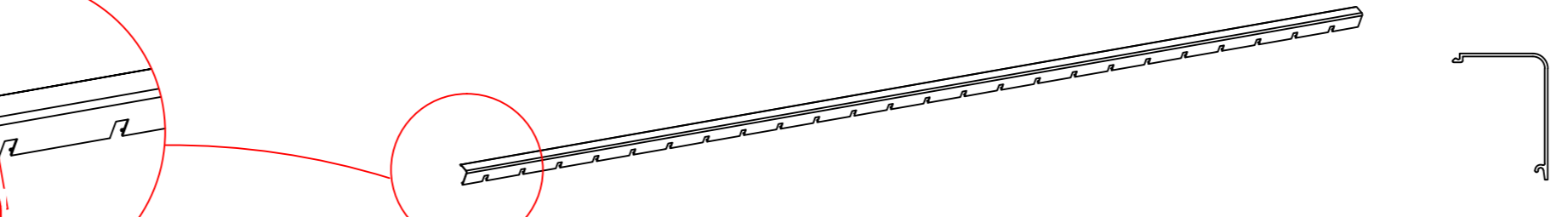
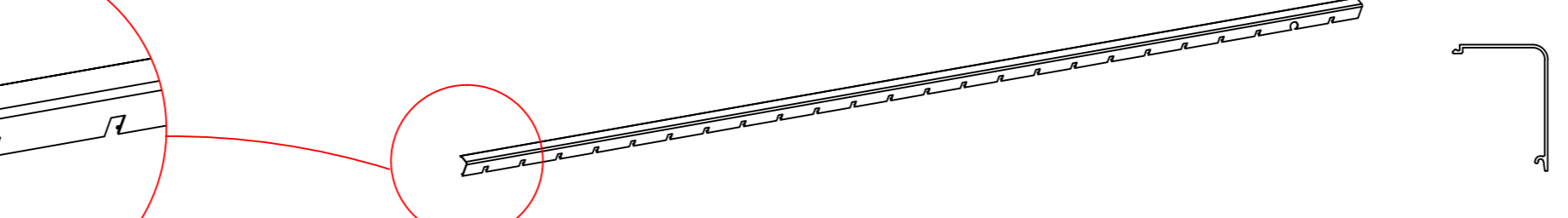
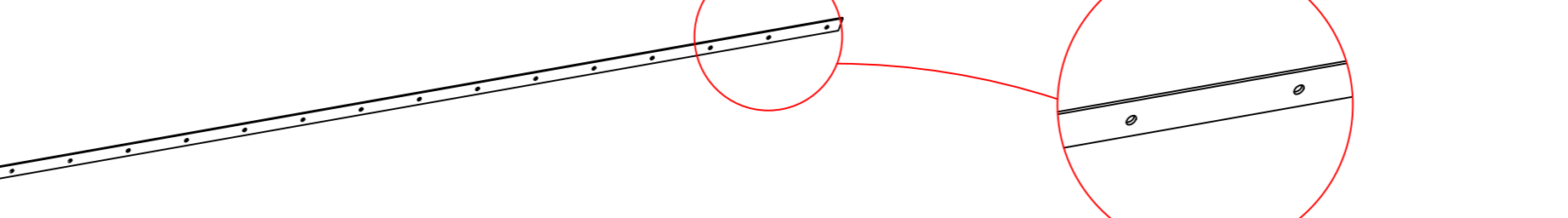
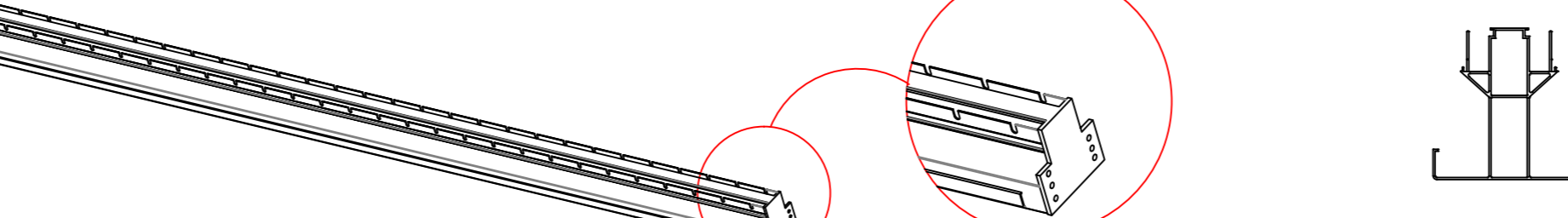
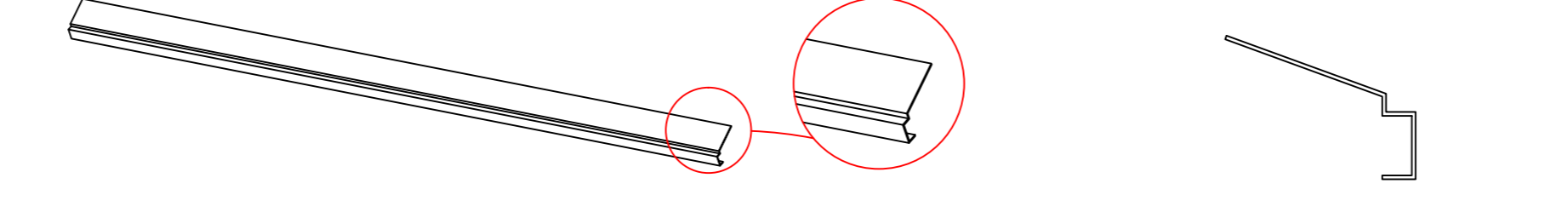
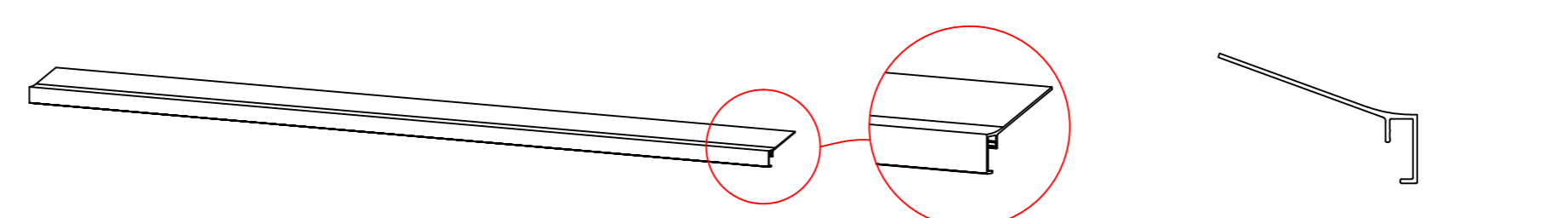


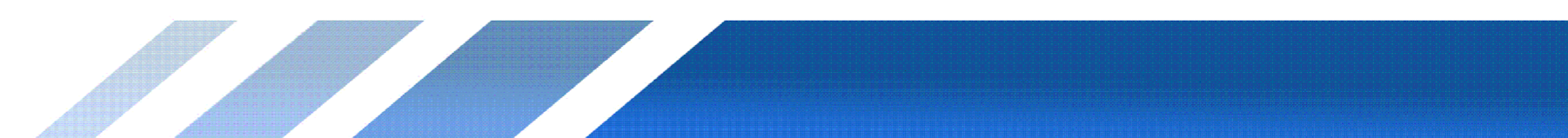


	Item	Qty	Item	Qty	Item	Qty
Carton 1/6	1B-01	4	1B-11	4	1B-12	4
	1B-13	4	1B-14	2	1B-15	2
	1B-18	1	1B-19	14+	1B-20	132+
	1B-21	16+	1B-22	24+	1B-23	22+
	1B-24	1	1B-25	12+	1B-30	2
	1B-31	2	1B-48	65+	1B-48B	1
	1B-49	65+	1B-50	1	1B-51	264+
	1B-67	28+				
Carton 2/6	1B-02	1	1B-03	1	1B-09	4
	1B-05	6				
Carton 3/6	1B-04	2	1B-08A/B /C/D	4	1B-28	1
	1B-29/B	4				
Carton 4/6	1B-06	22				
Carton 5/6	1B-06	22				
Carton 6/6	1B-06	22				





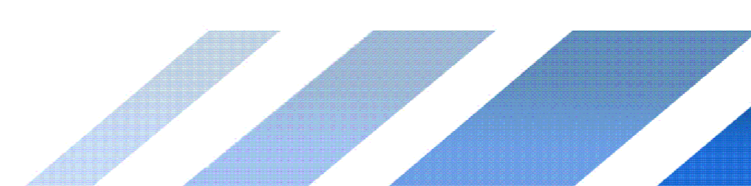
Item	Drawings	Qty
1B-01		4
1B-02		1
1B-03		1
1B-04		2
1B-05		6
1B-06		66
1B-08A		1
1B-08B		1
1B-08C		1
1B-08D		1
1B-09		4
1B-28		1
1B-29		2
1B-29B		2

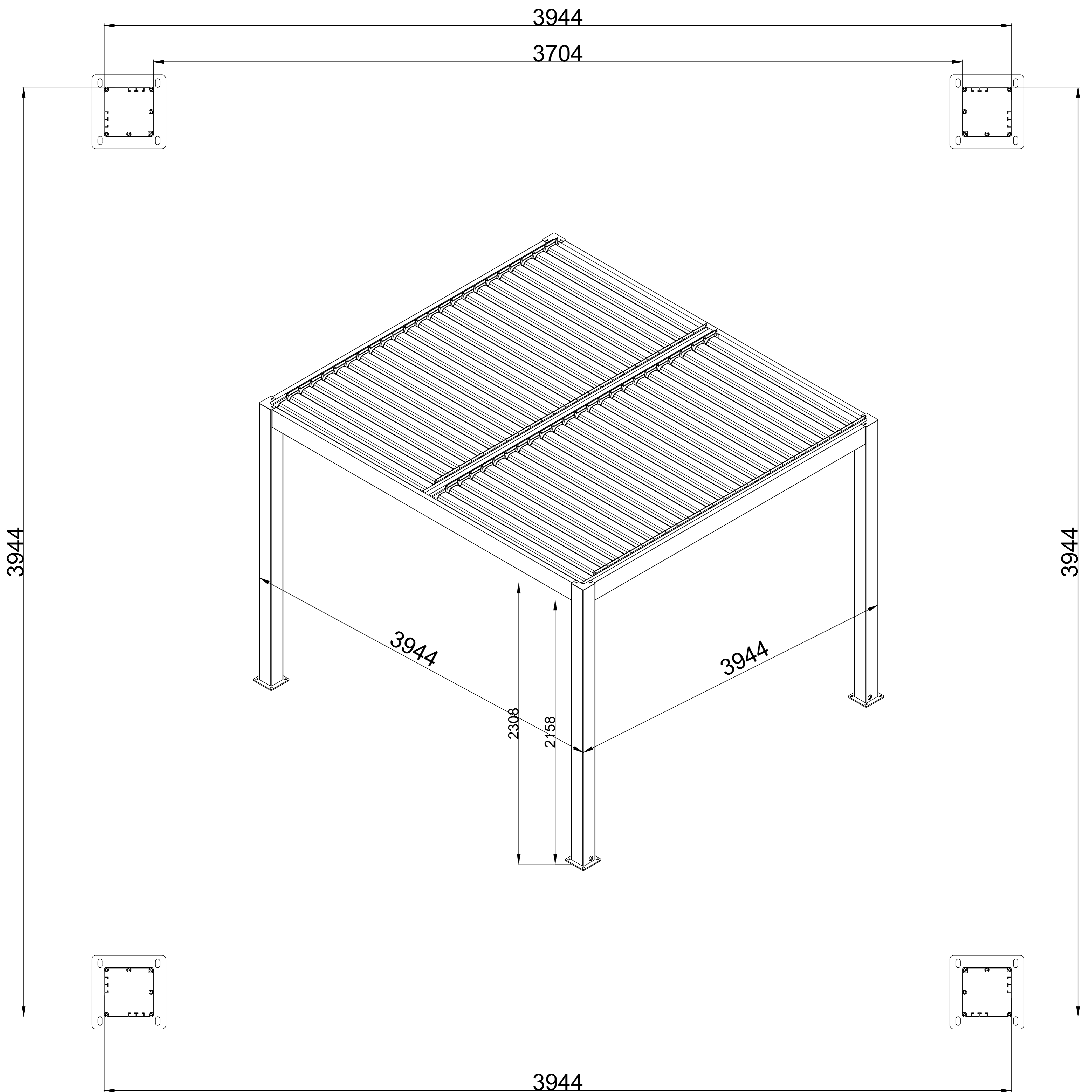




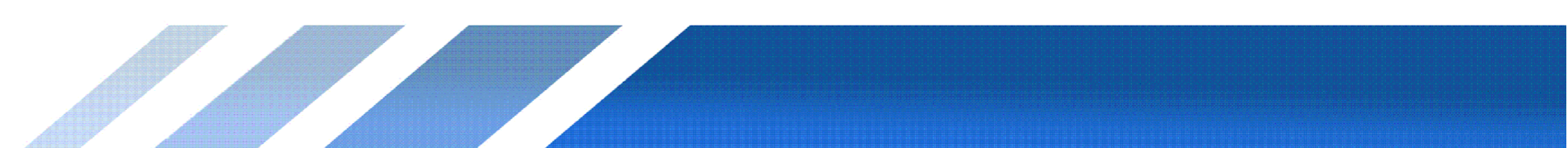
Item	Drawings	Qty
1B-11		4
1B-12		4
1B-13		4
1B-14		2
1B-15	 M8*20lock nut	2
1B-18		1
1B-19	 M8*20	14+
1B-20		132+
1B-21	 M10*80	16+
1B-22	 M5.5*50	24+
1B-23	 M4.2*19	22+

Item	Drawings	Qty
1B-24		1
1B-25	 M8*25	12+
1B-30		2
1B-31		2
1B-48		65+
1B-48B		1
1B-49		65+
1B-50		1
1B-51	 M3.5*25	264+
1B-67	 M4.2*50	28+



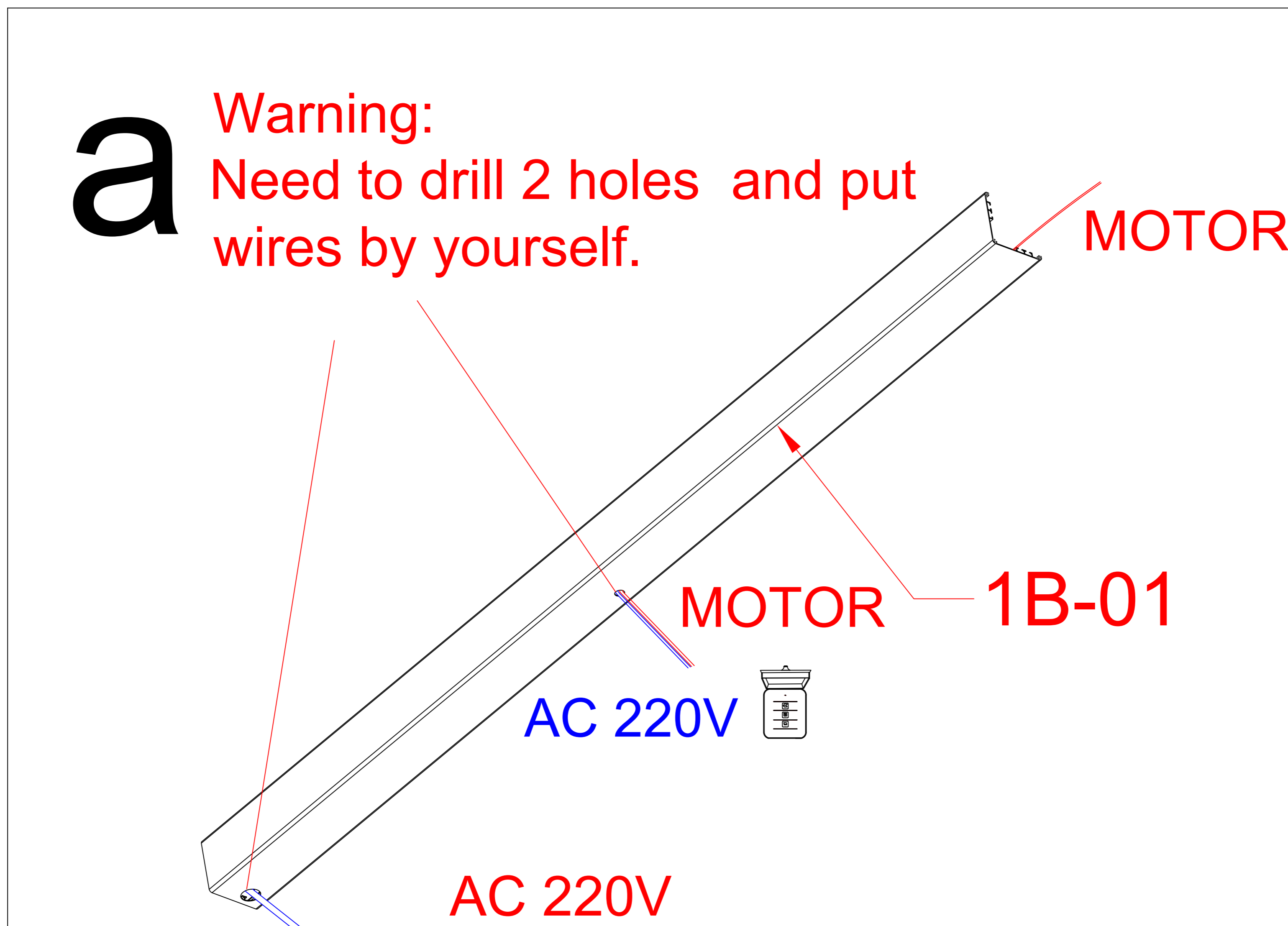


Warning
In Snow season or in case of snow
forecast open up your shutters in vertical
position to avoid any damaging on your
pergola. .

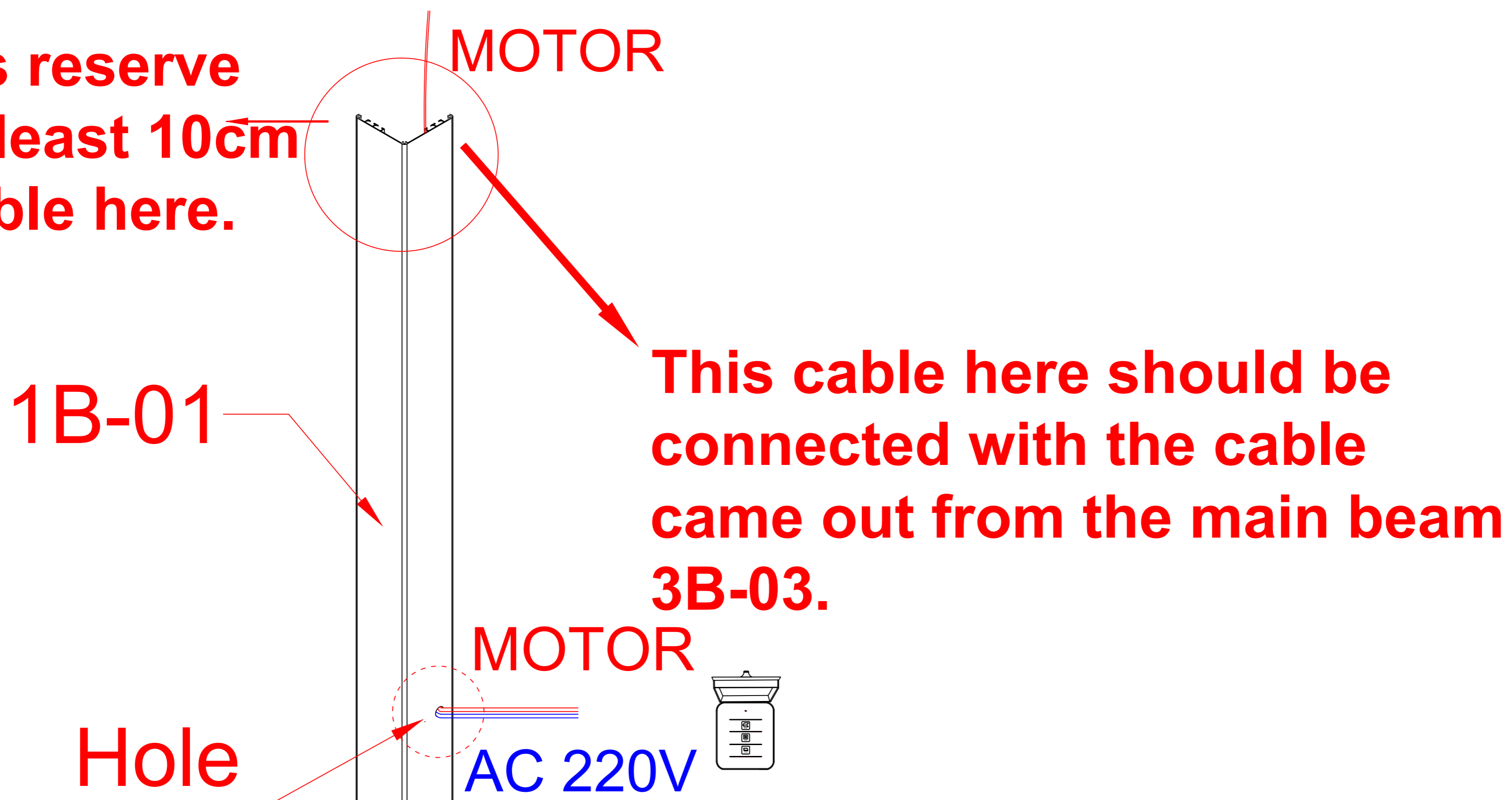




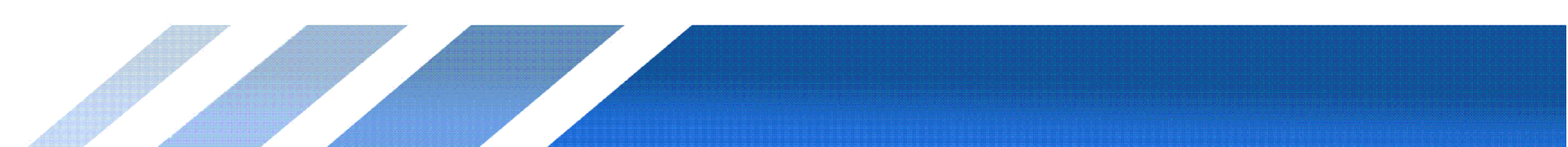
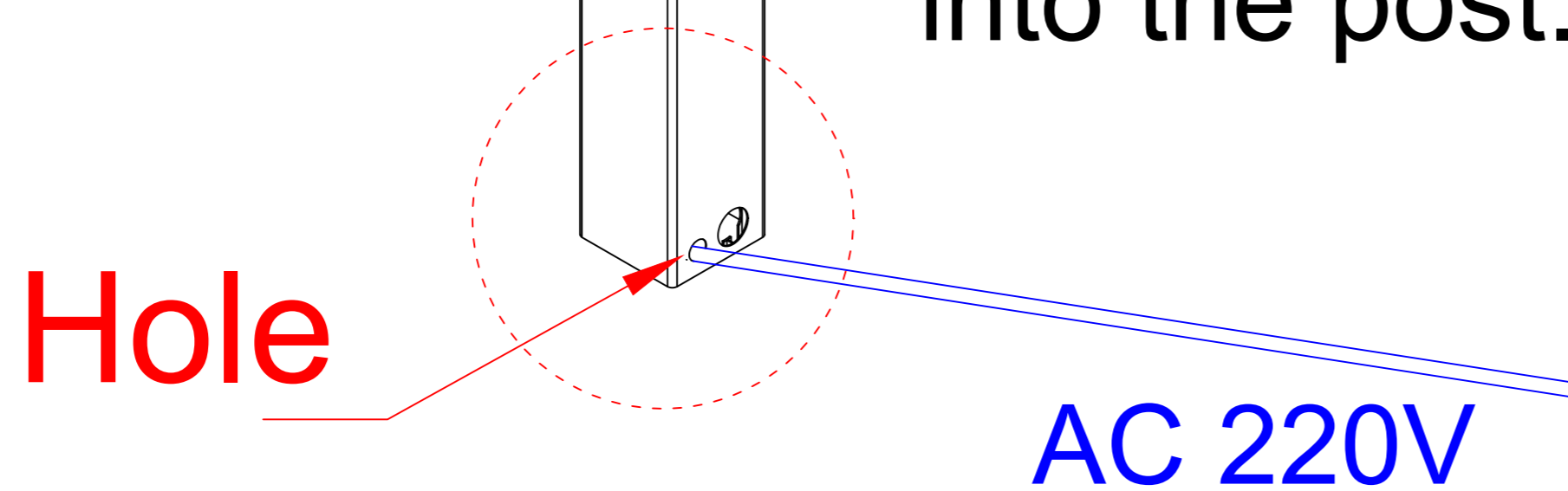
Motor Wires Diagram - The control box is on the post



Pls reserve at least 10cm cable here.

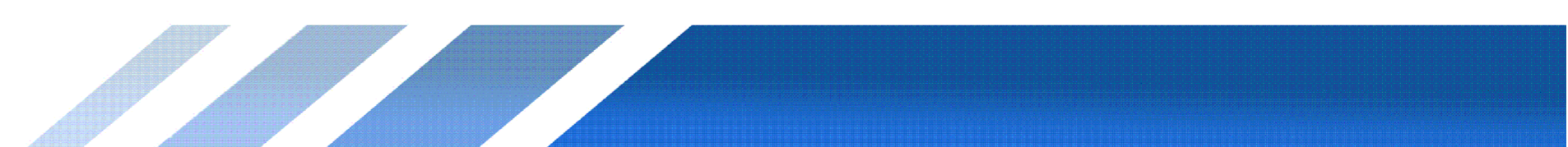
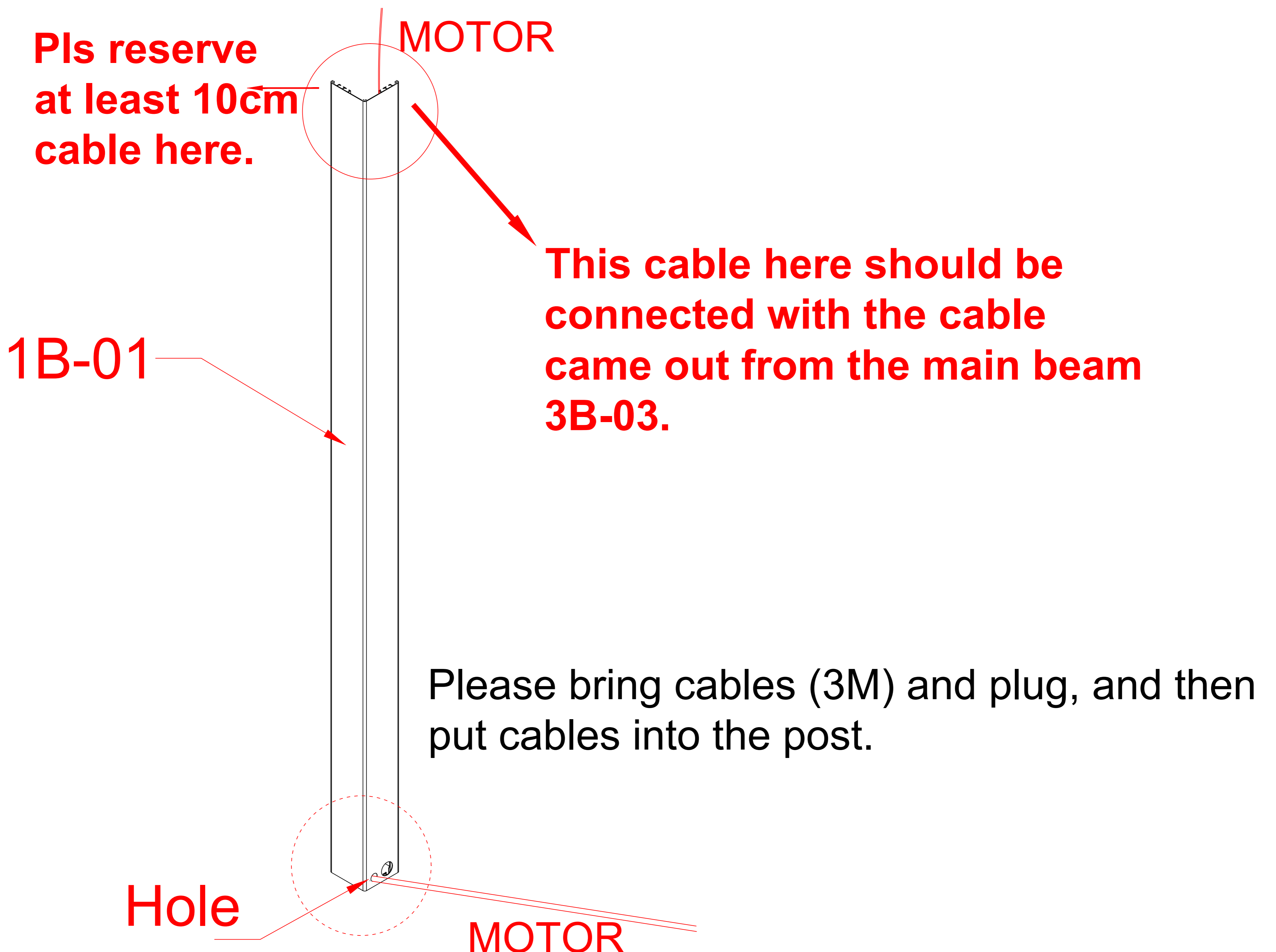
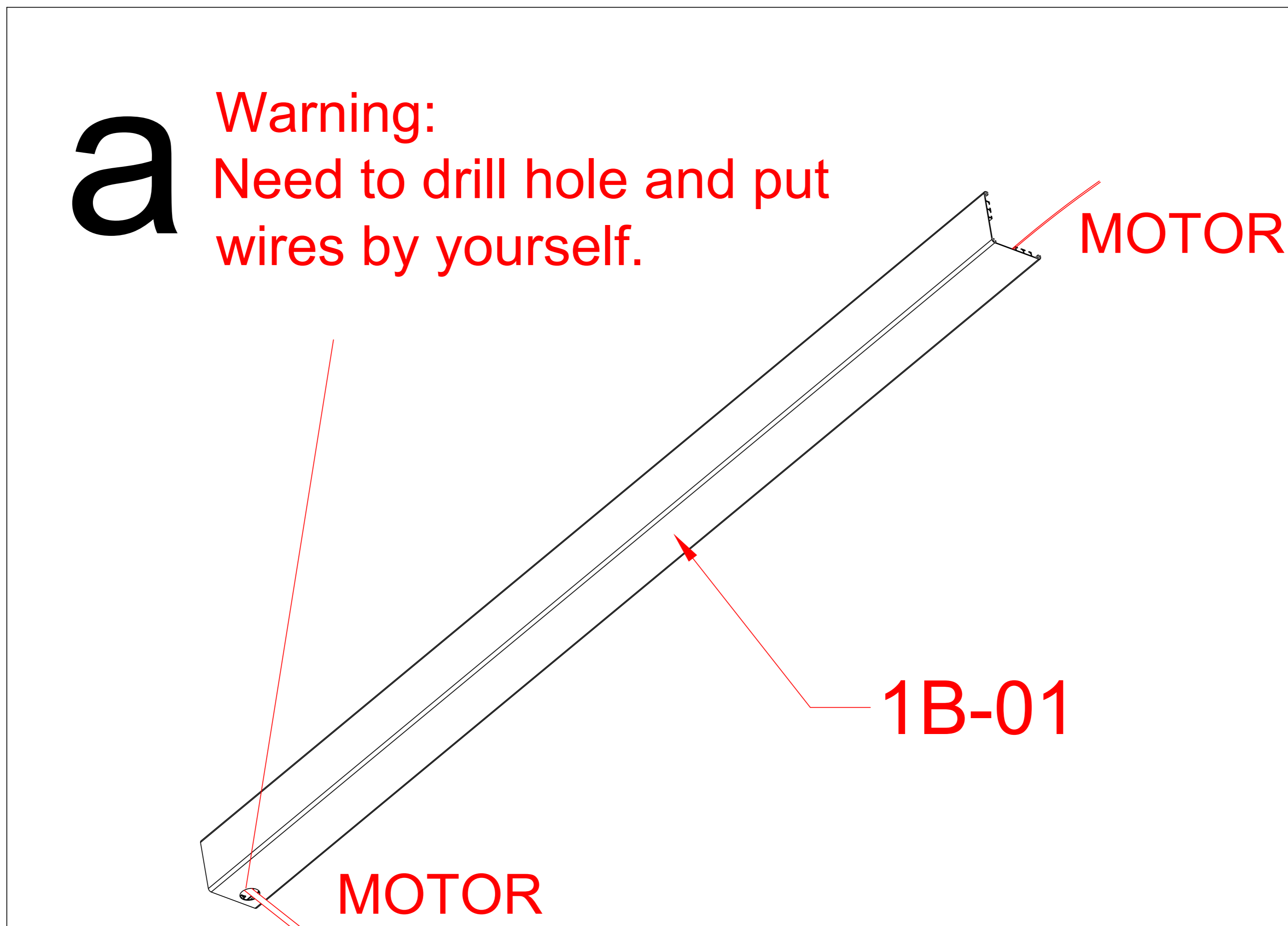


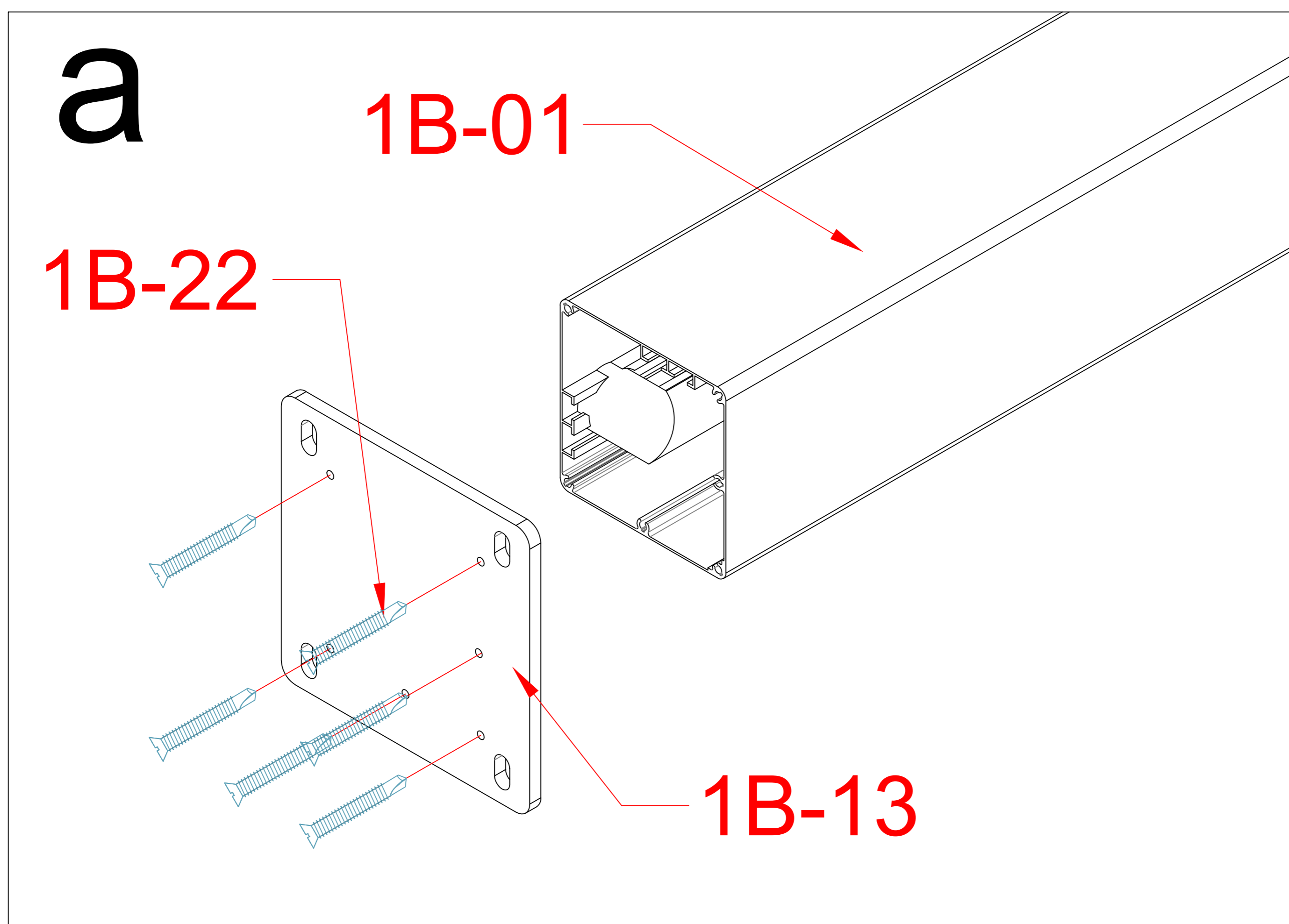
Please bring cables (1.5M), power cords (1.5M) and plug, and then put cables and power cords into the post.



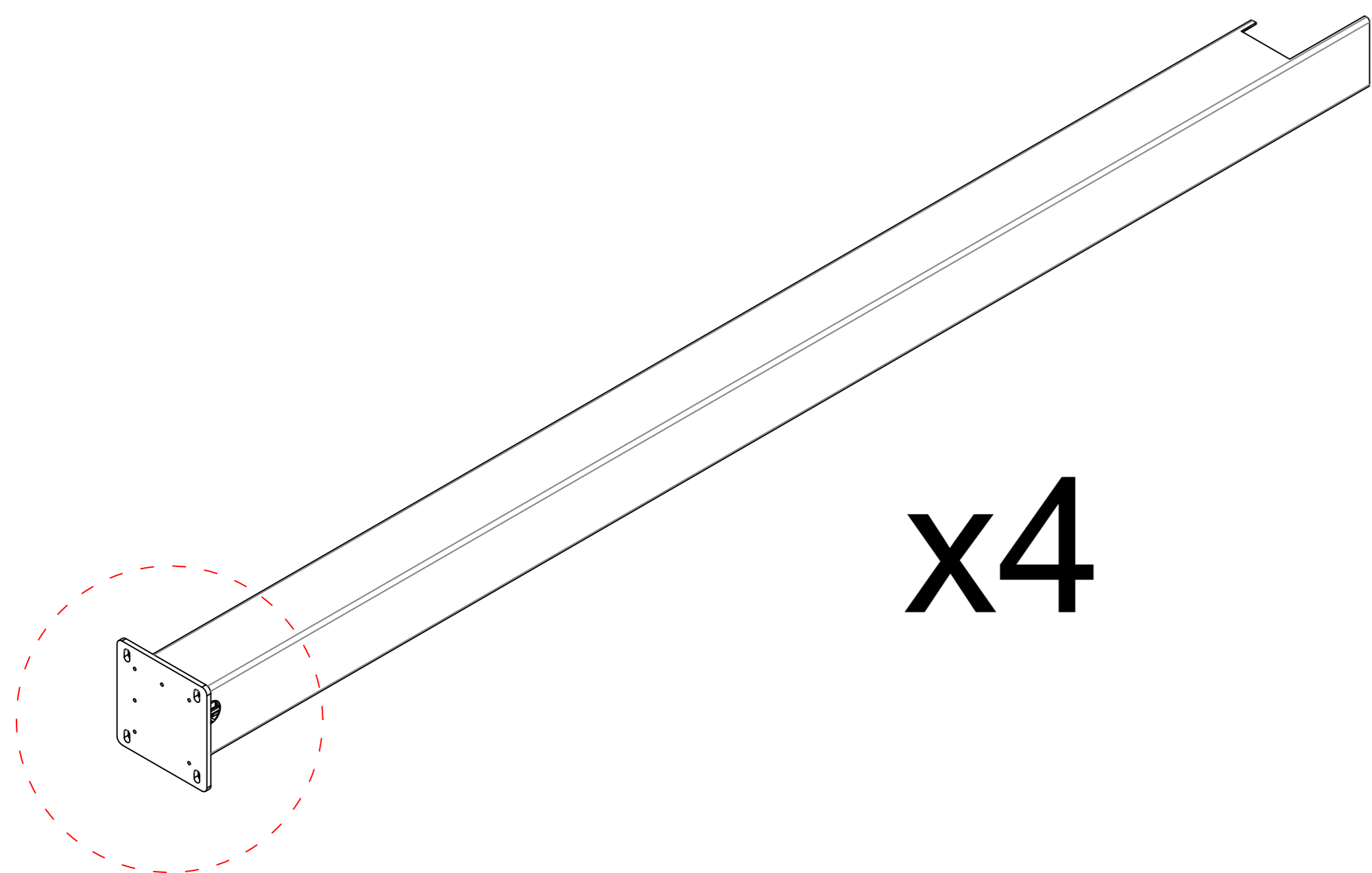
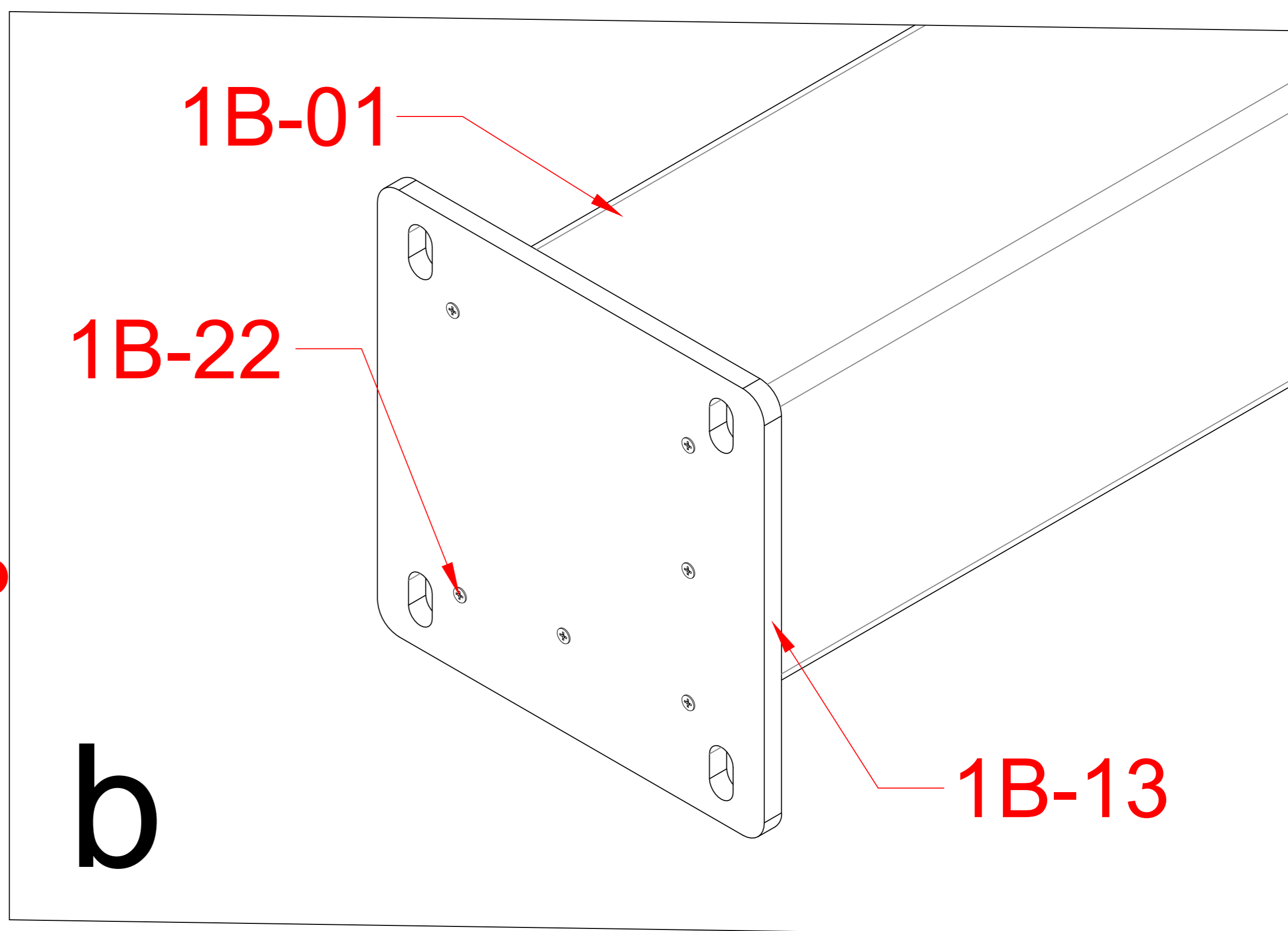


Motor Wires Diagram - The control box is not on the post

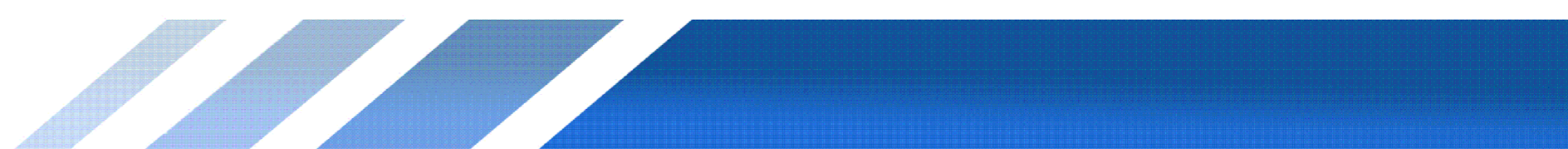


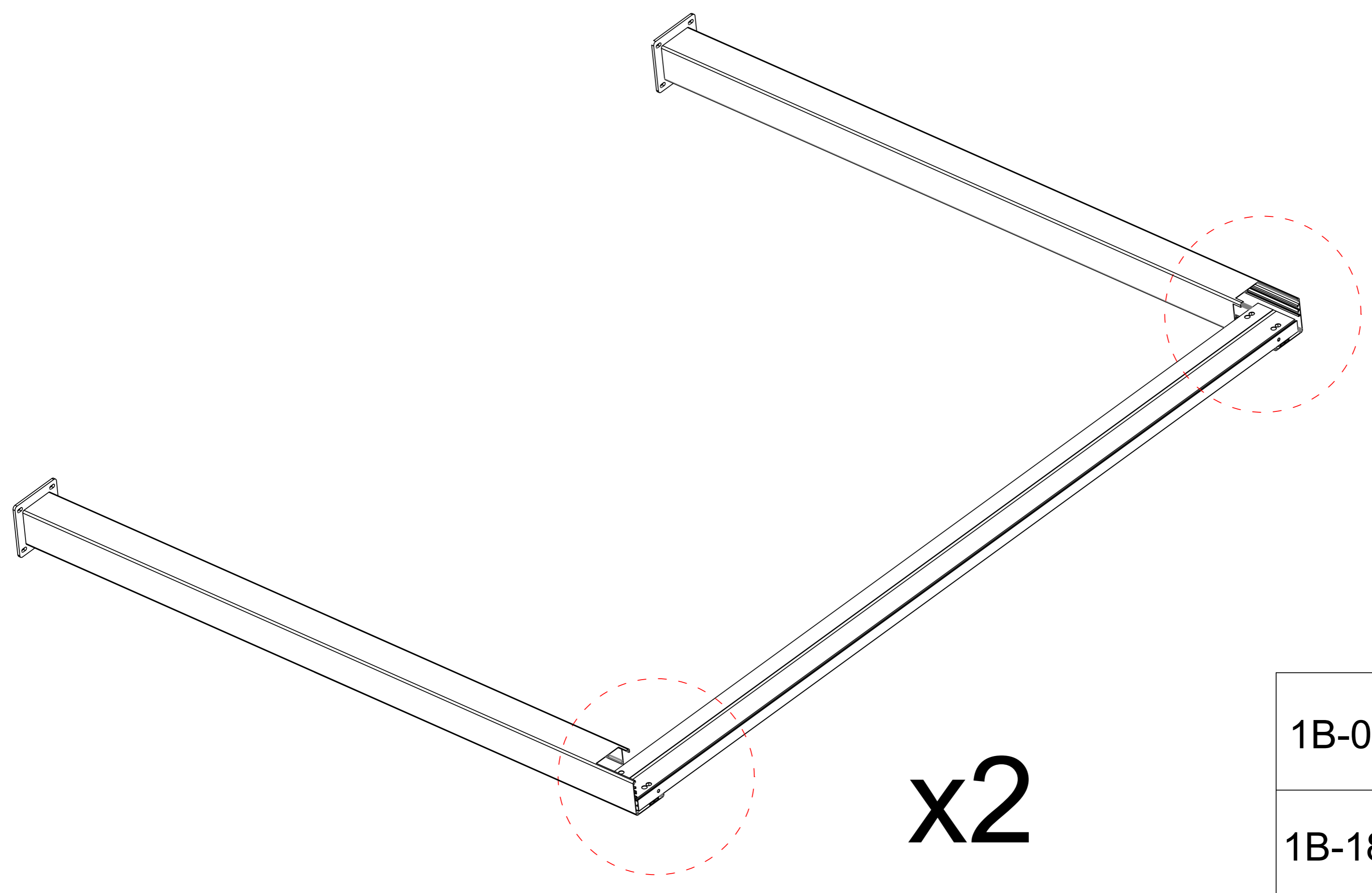
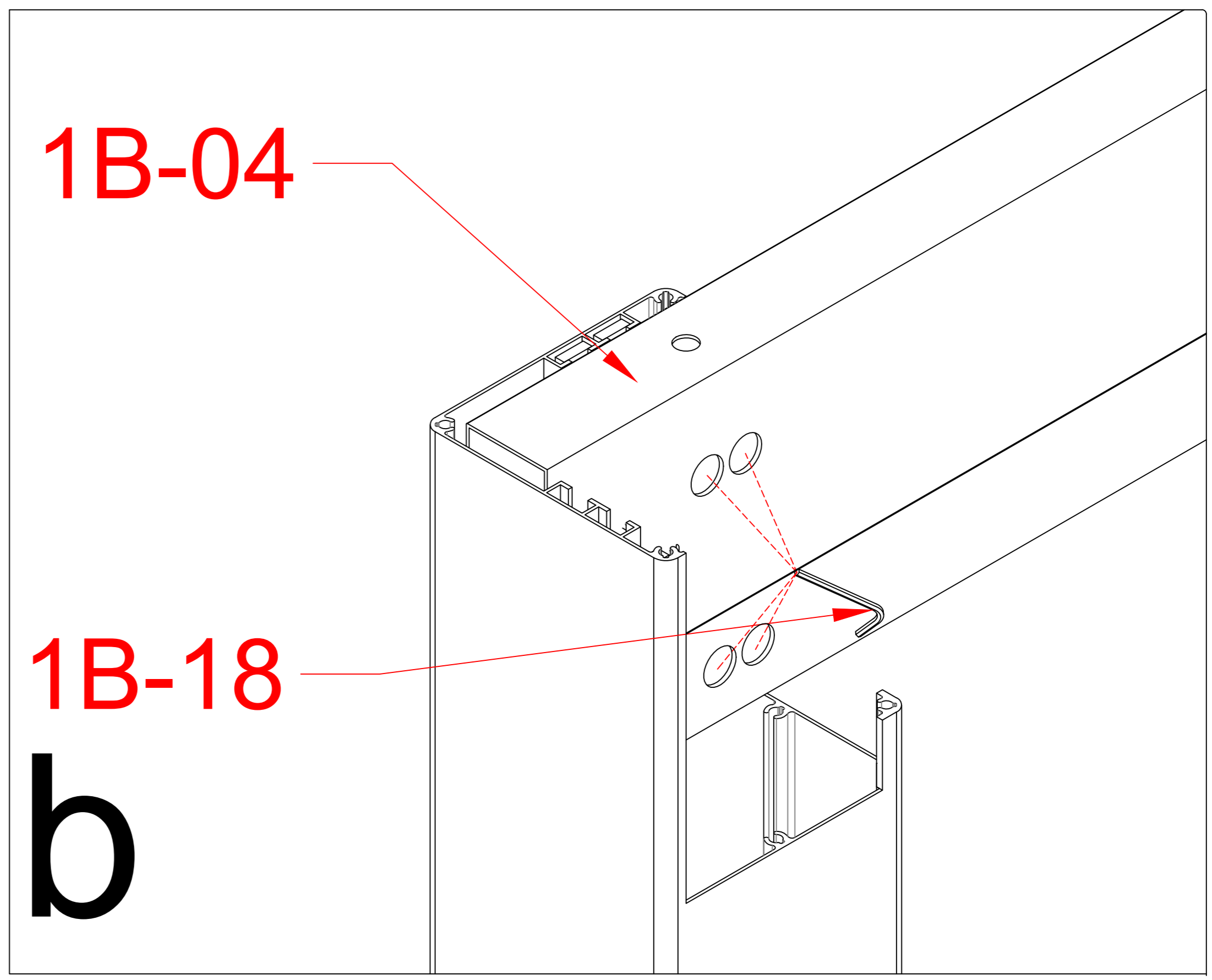
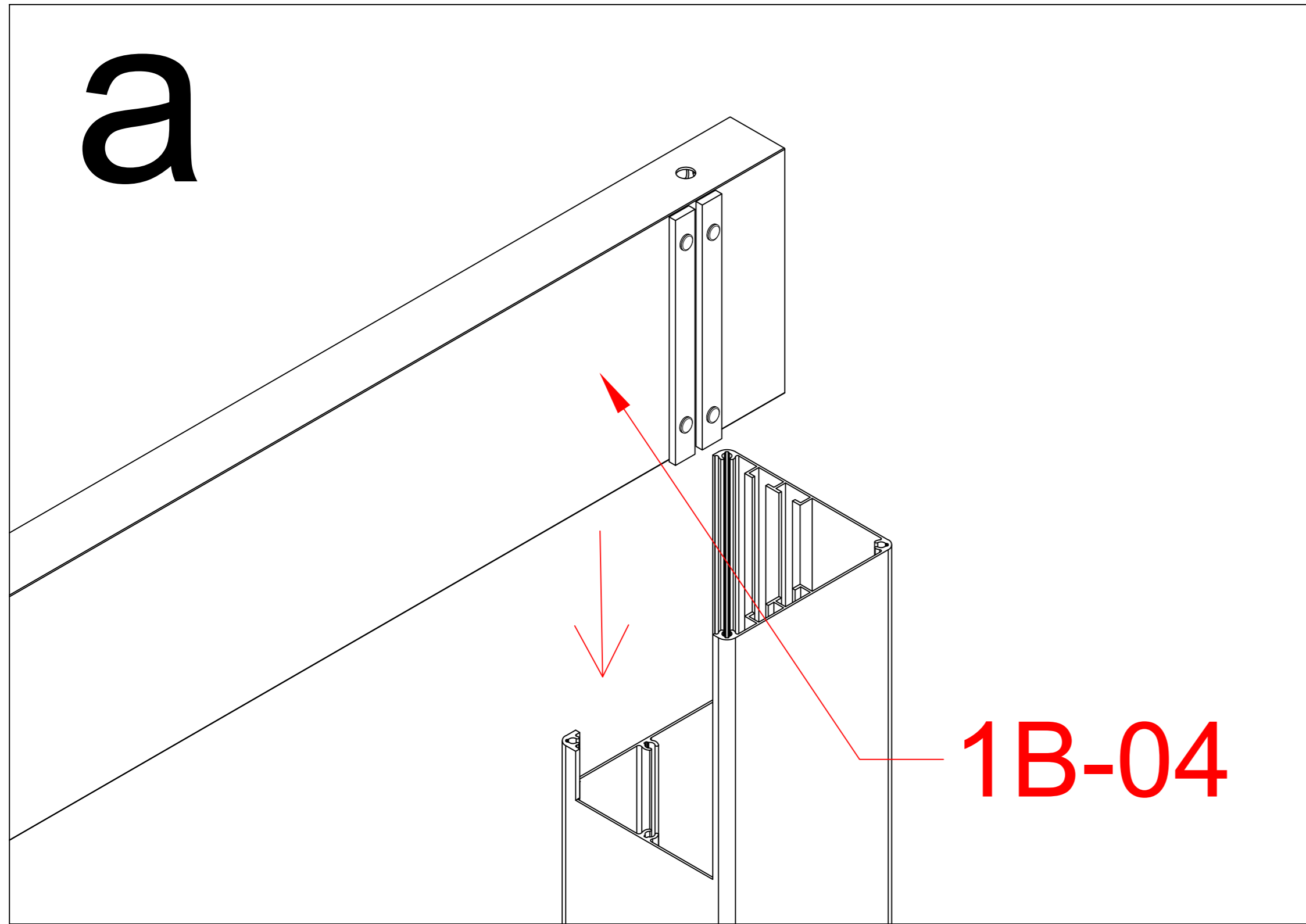


If there are electrical components including motor, blinds or LED light, Set the wire through the post firstly, otherwise it would be very difficult to do so after pergola was assembled.

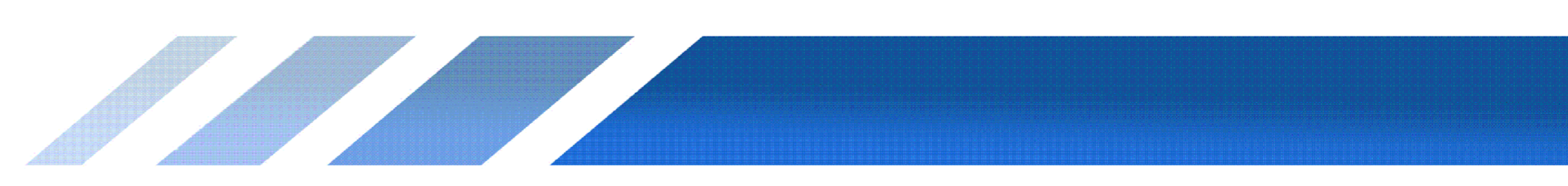


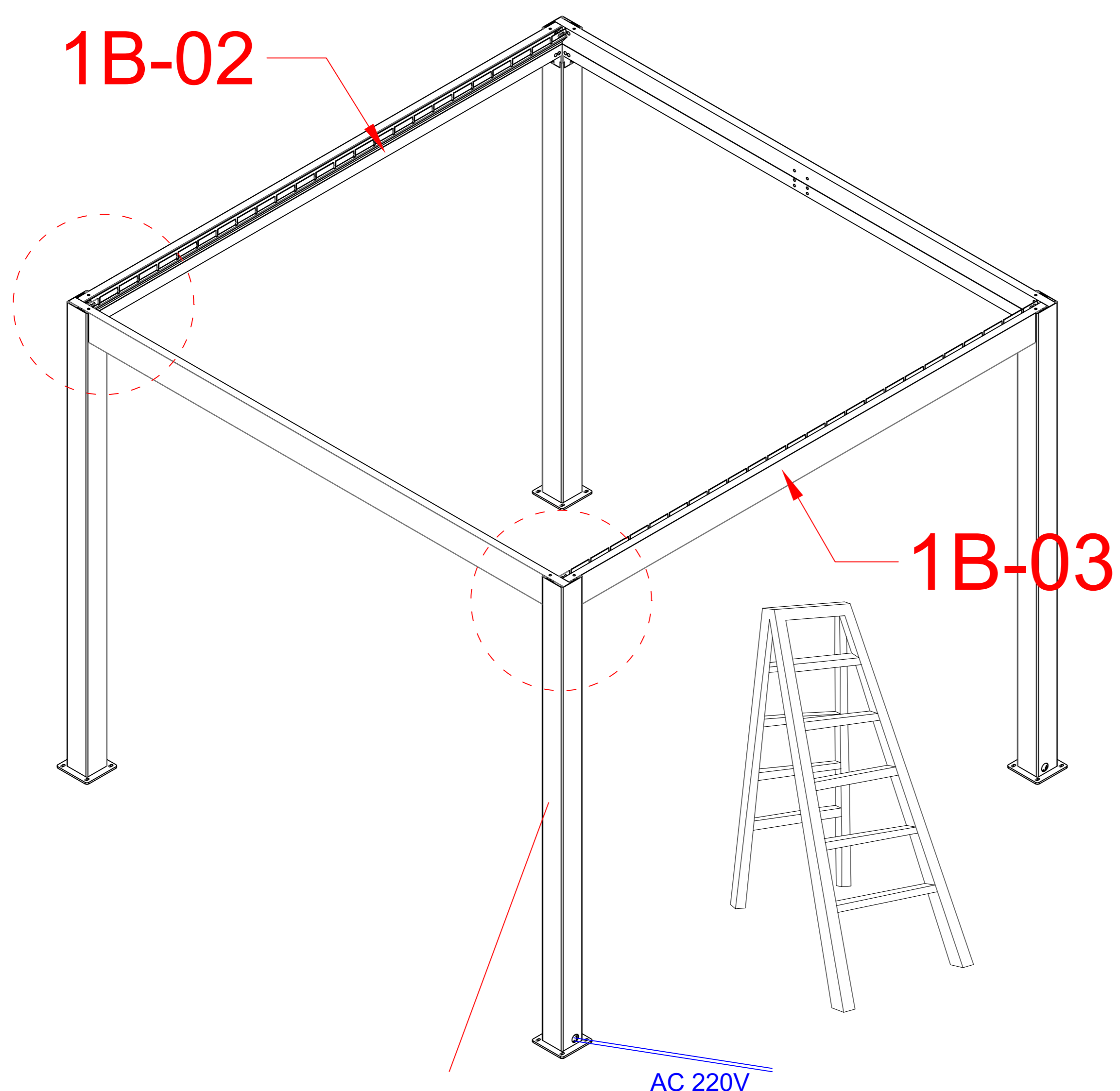
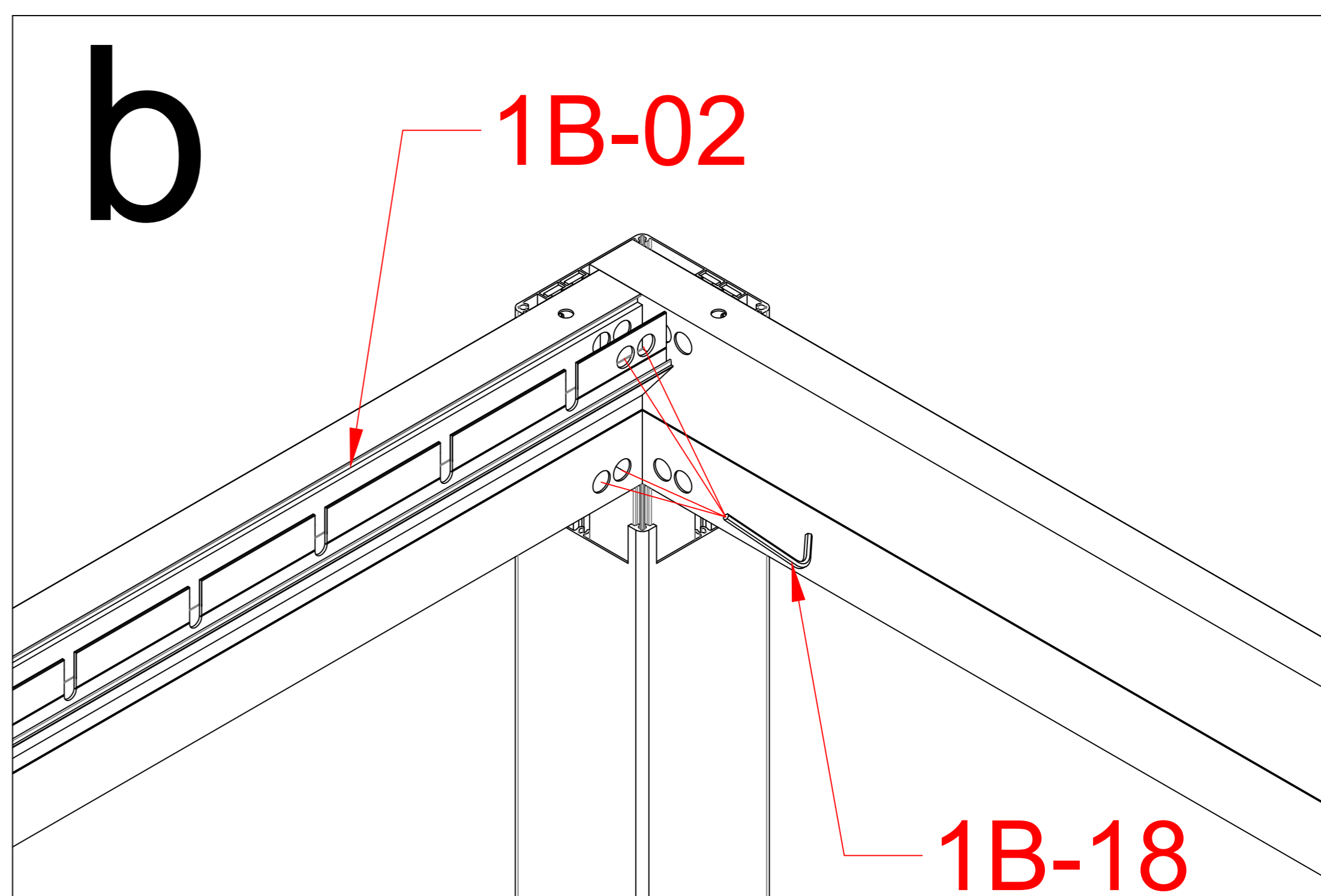
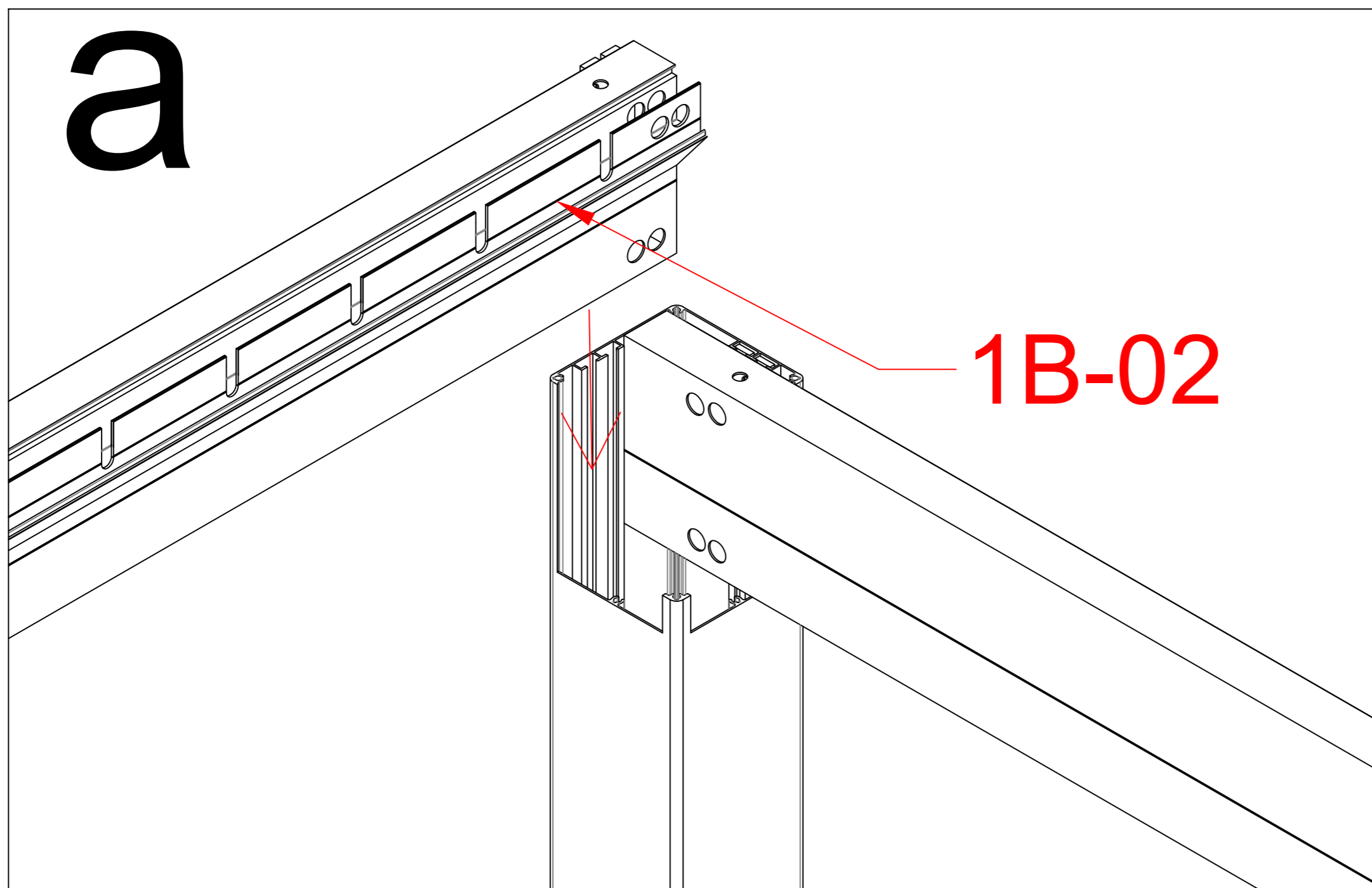
1B-01		4
1B-13		4
1B-22		24





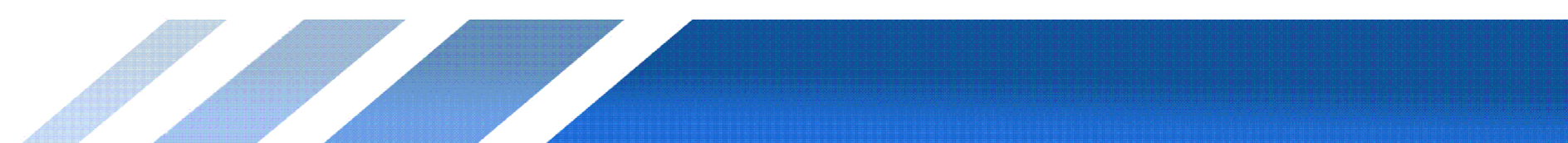
1B-04		2
1B-18		1

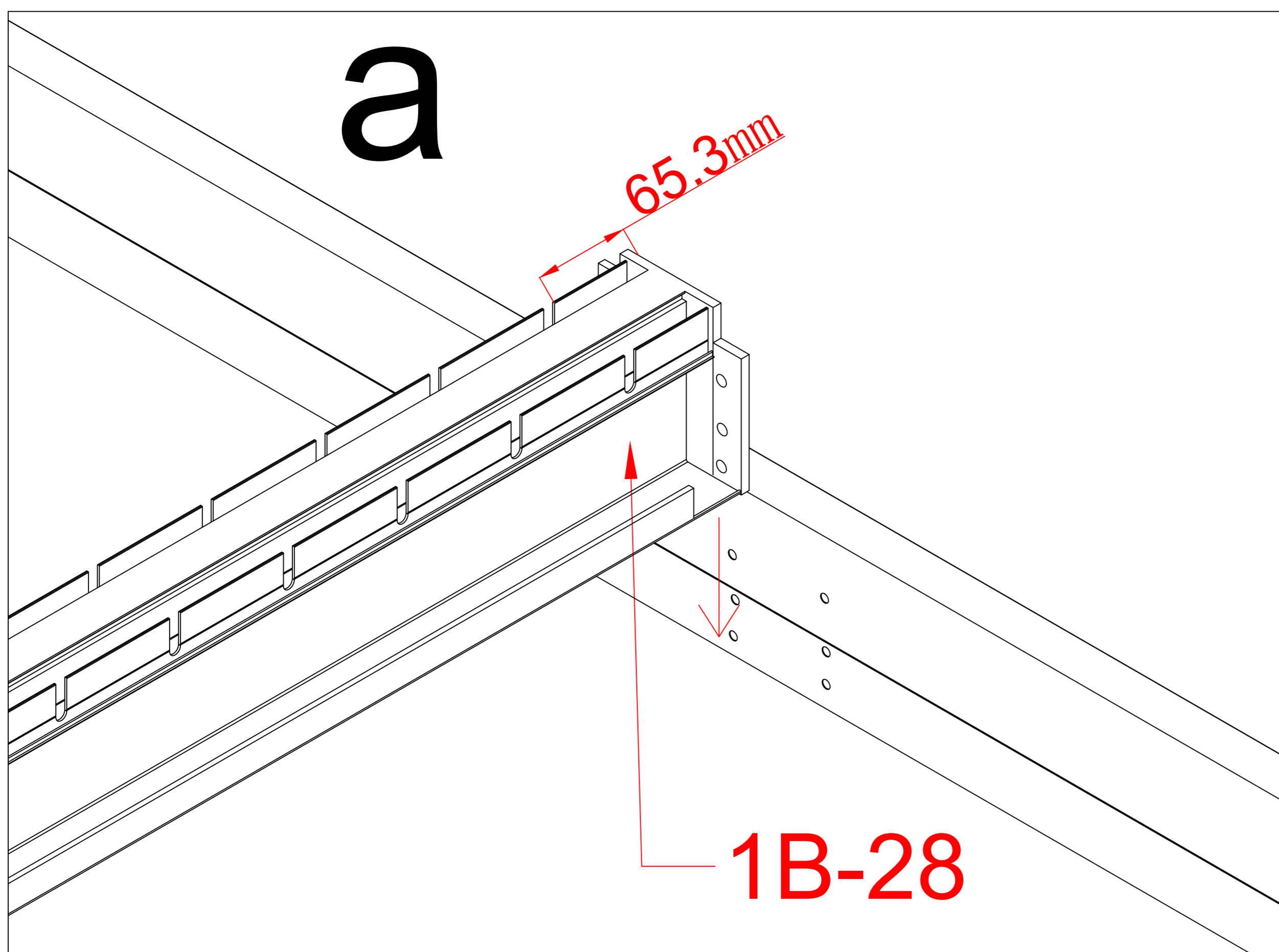




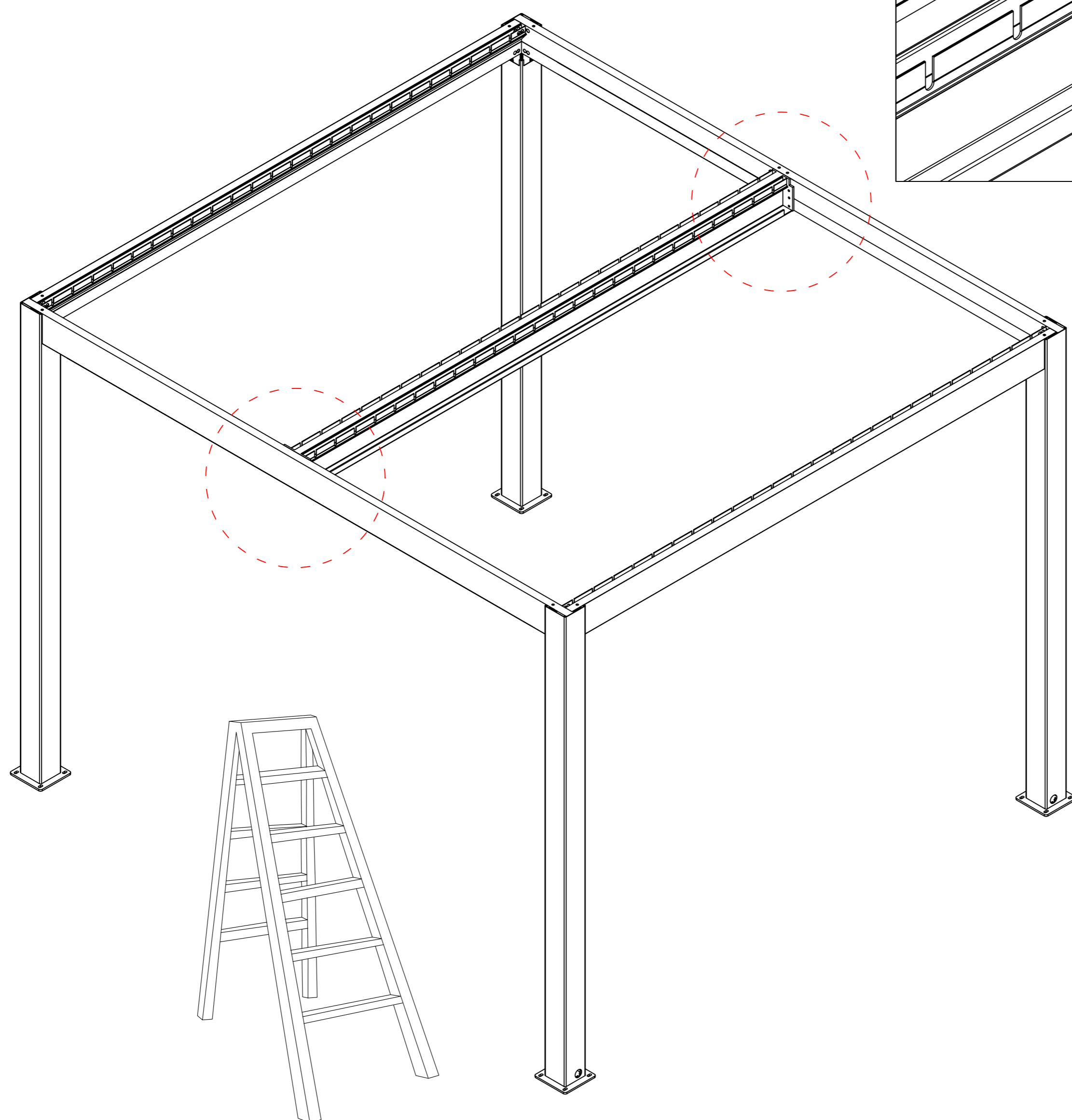
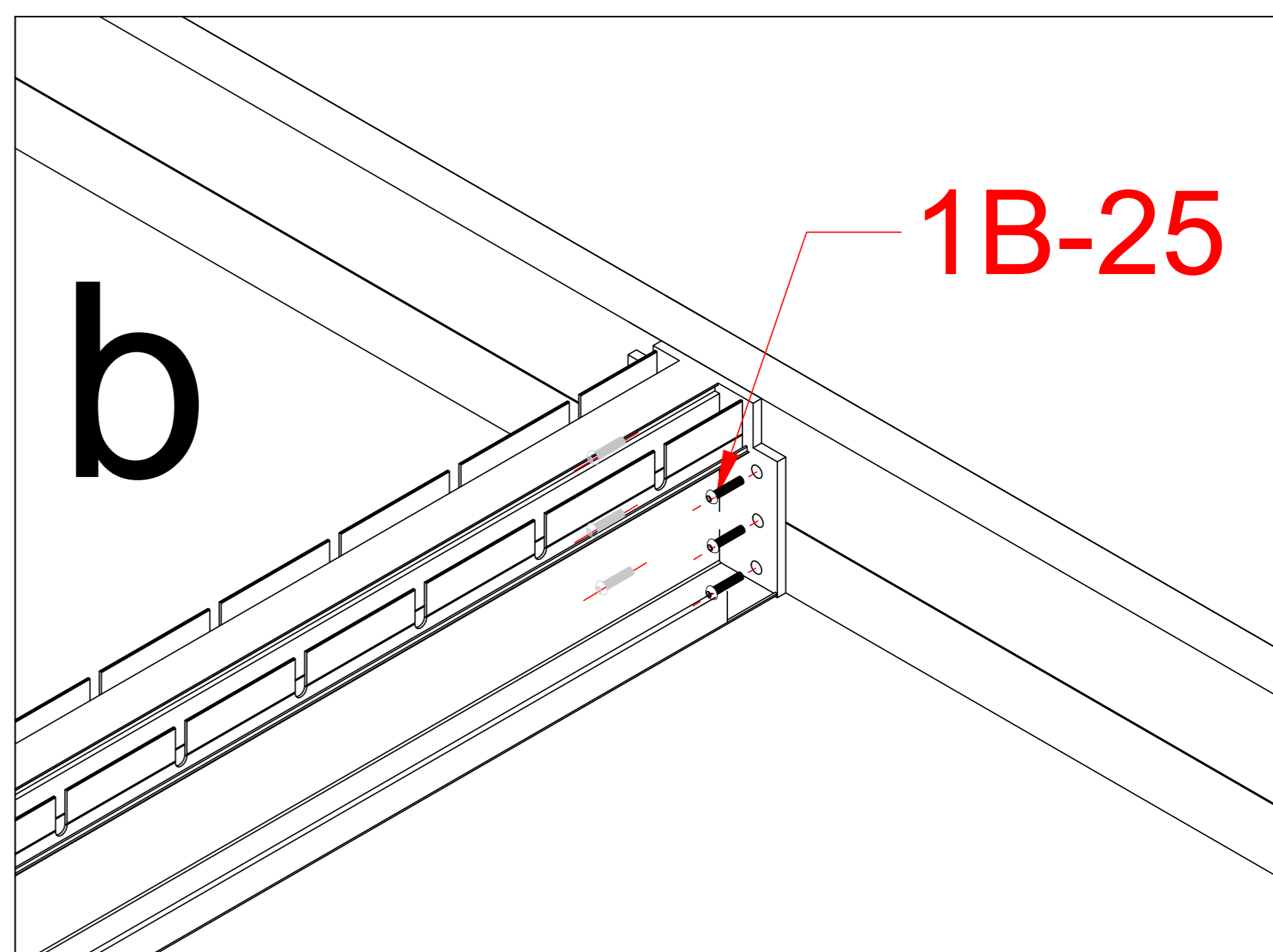
1B-02			1
1B-03			1
1B-18			1

The post for drilling and threading.

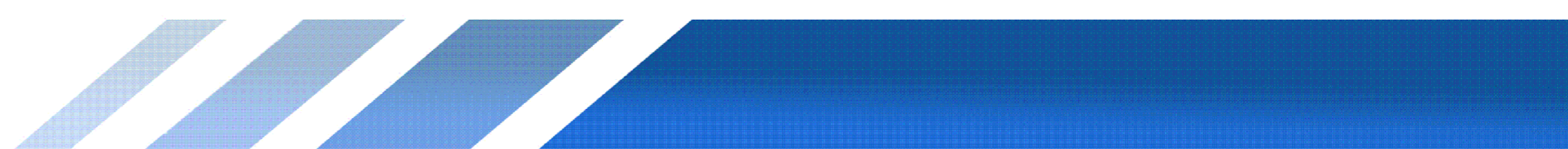




Warning:
The 66mm end of the middle beam is on the same side as the manual operation nose



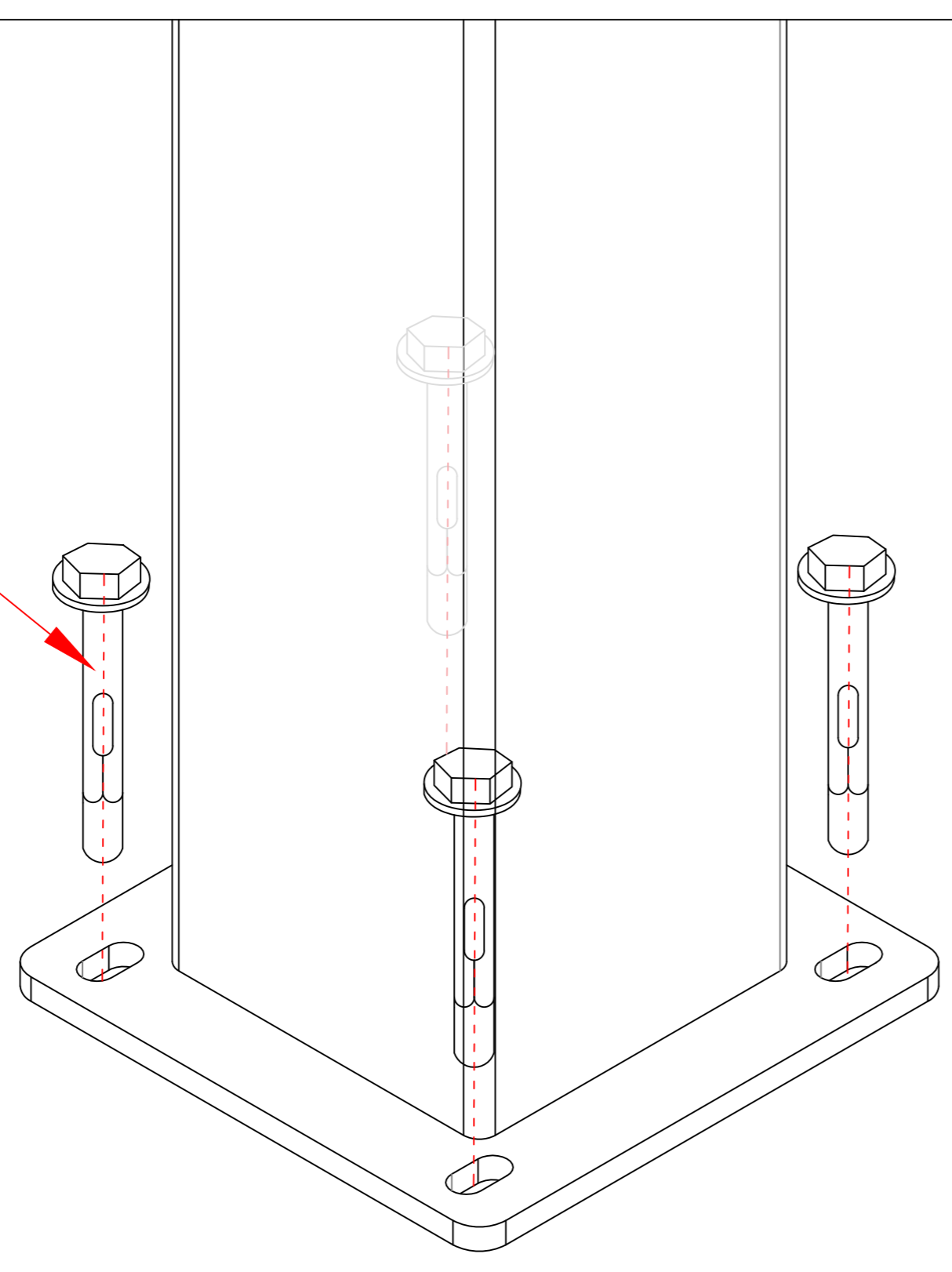
1B-28		1
1B-25		12





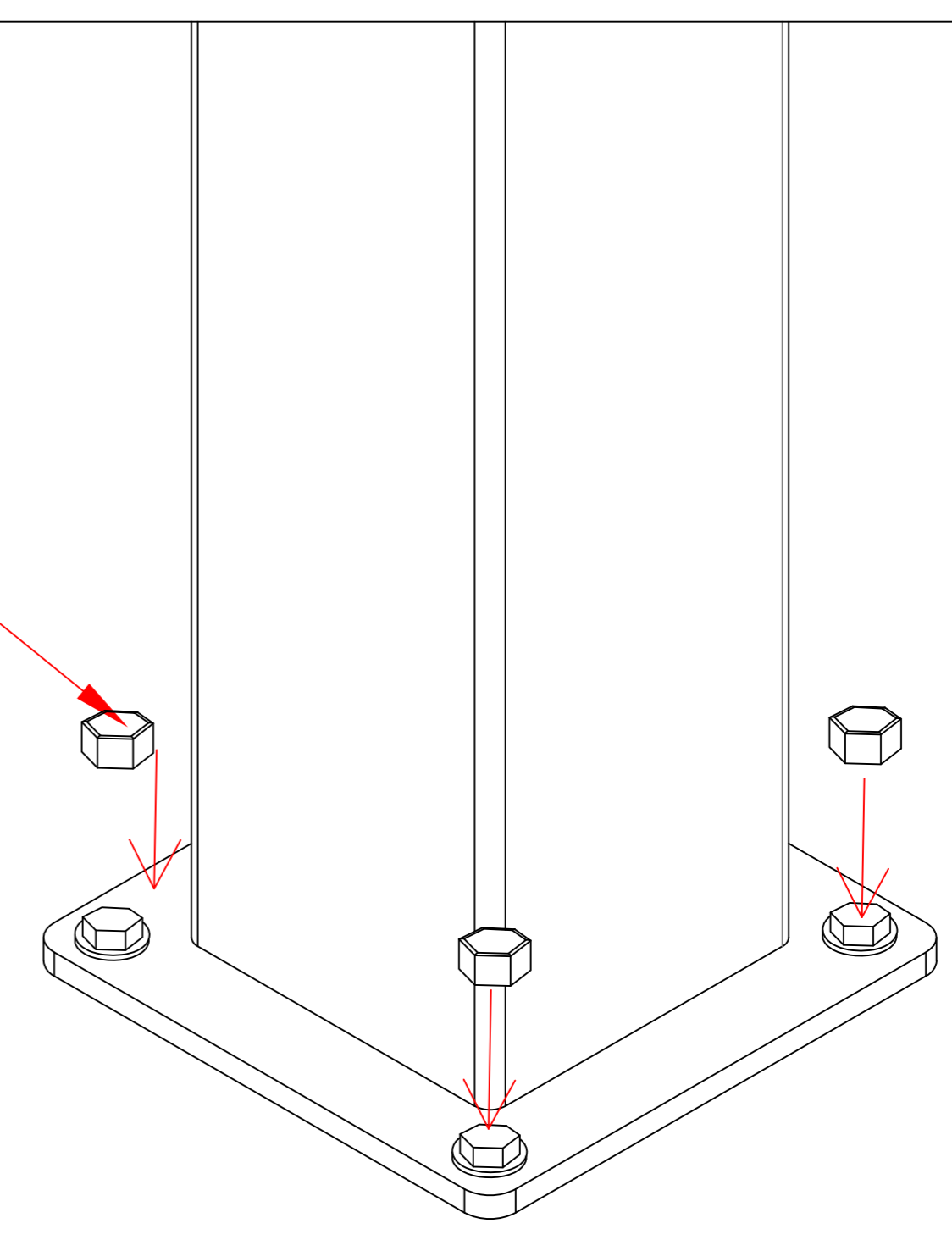
a

1B-21

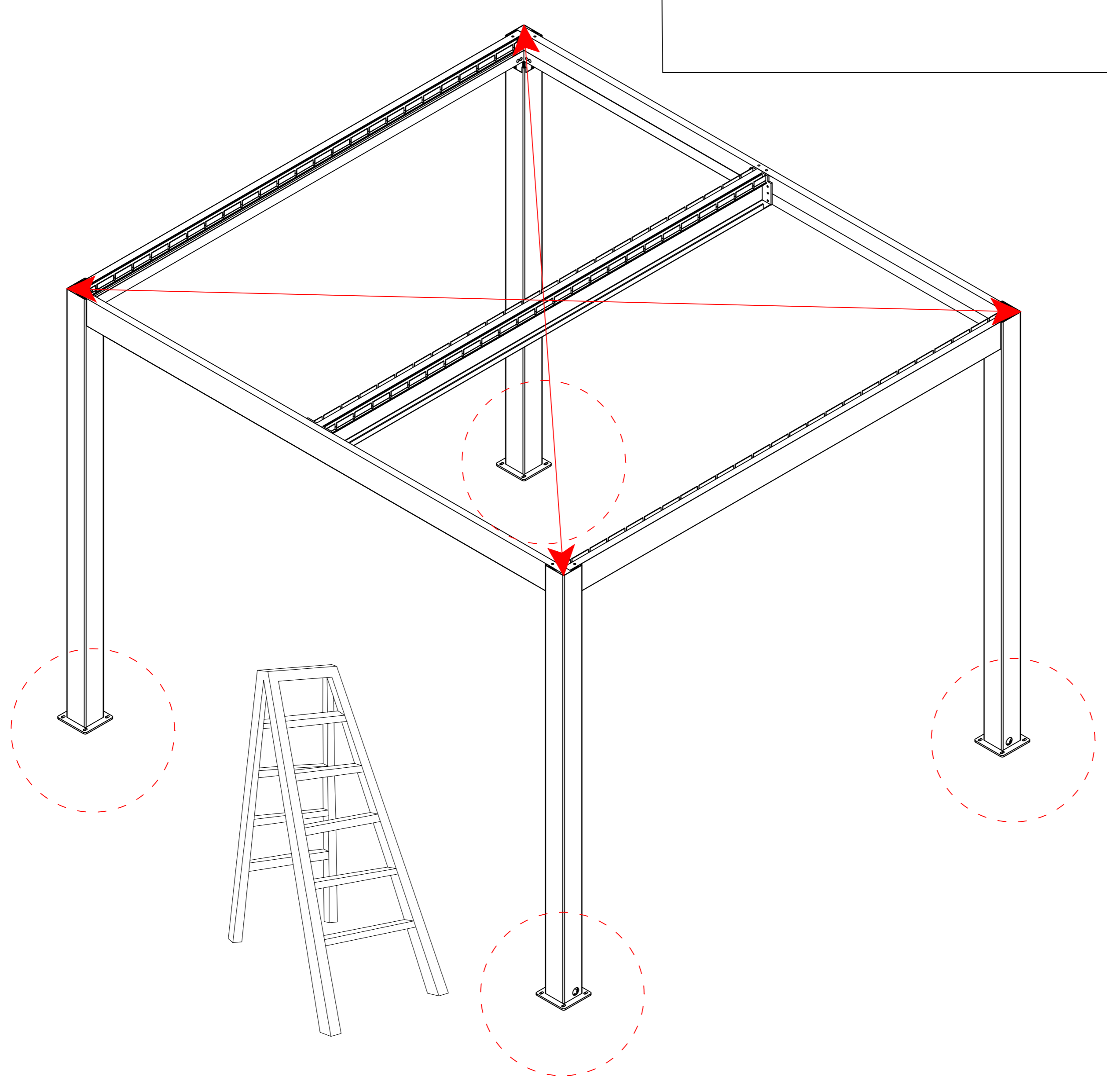


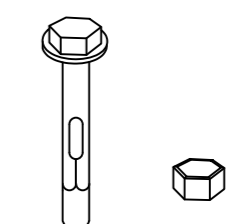
b

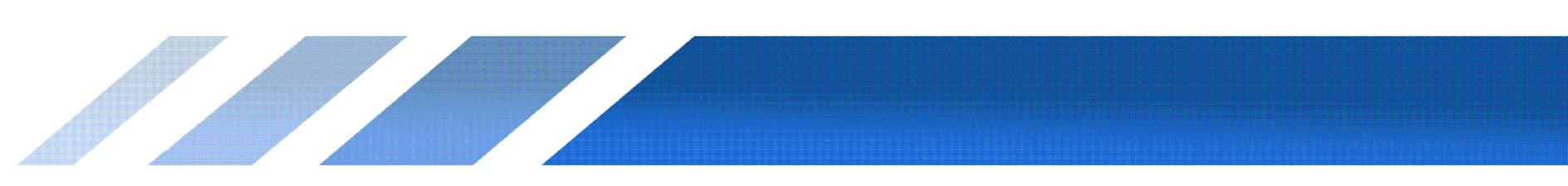
1B-21

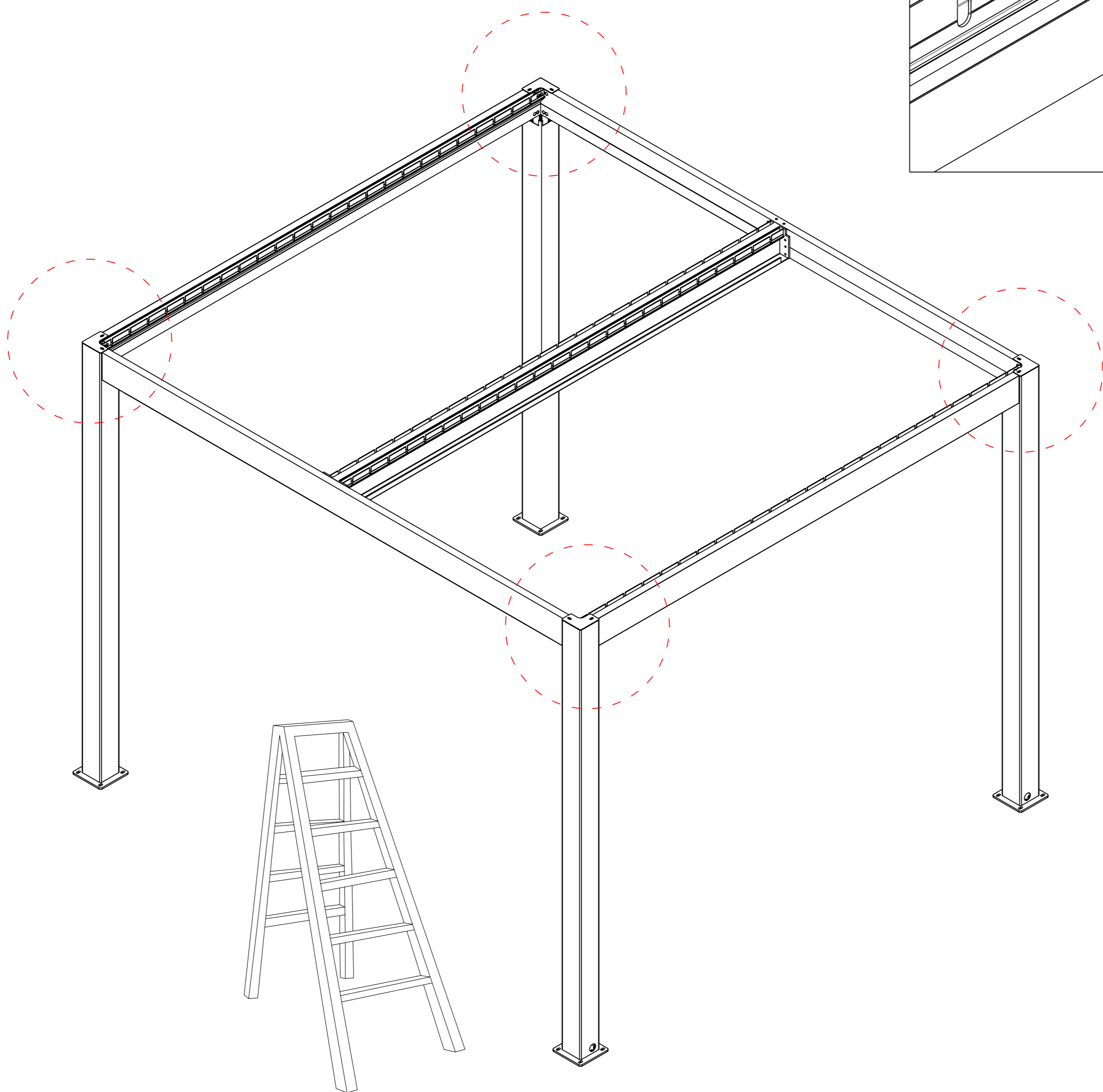
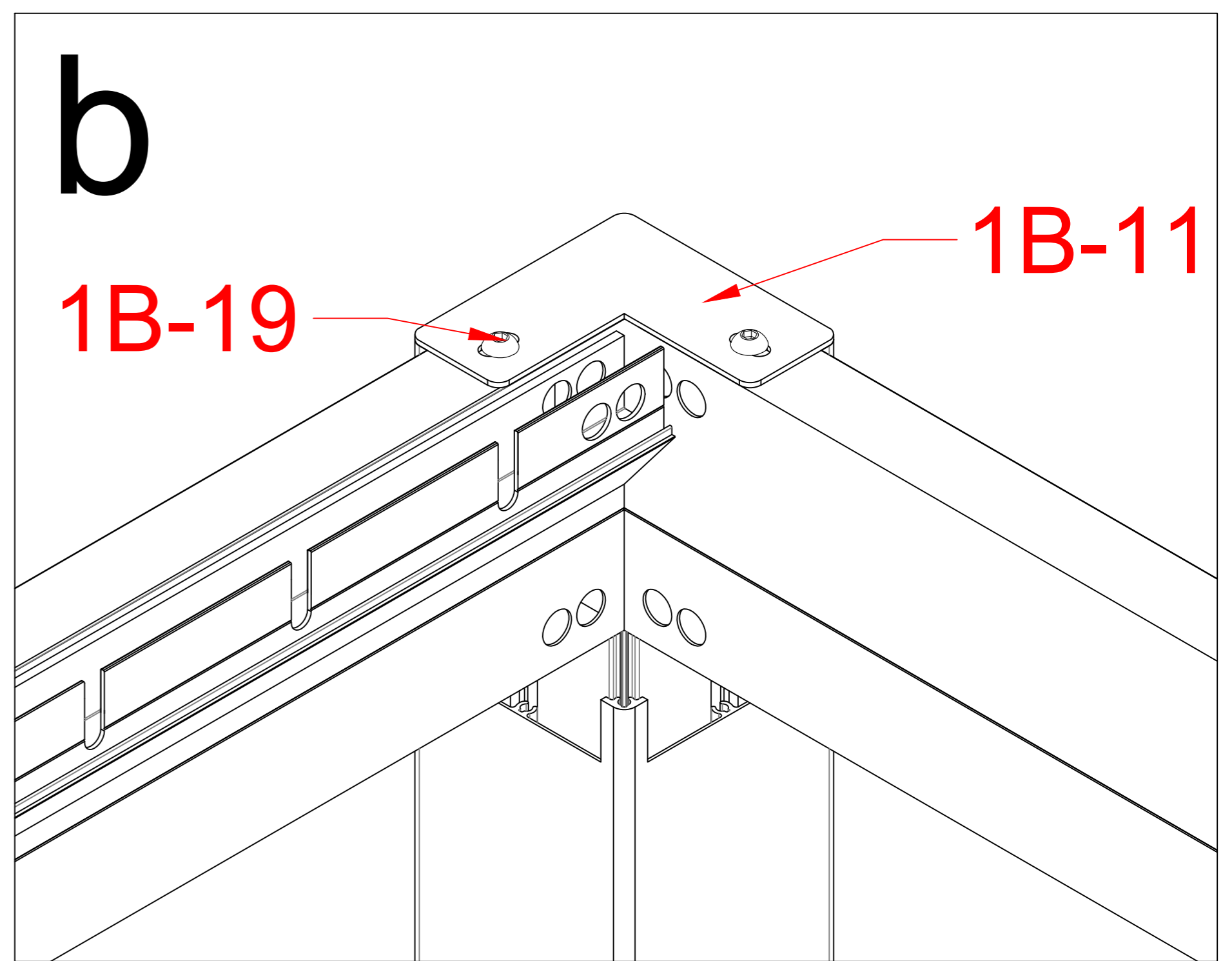
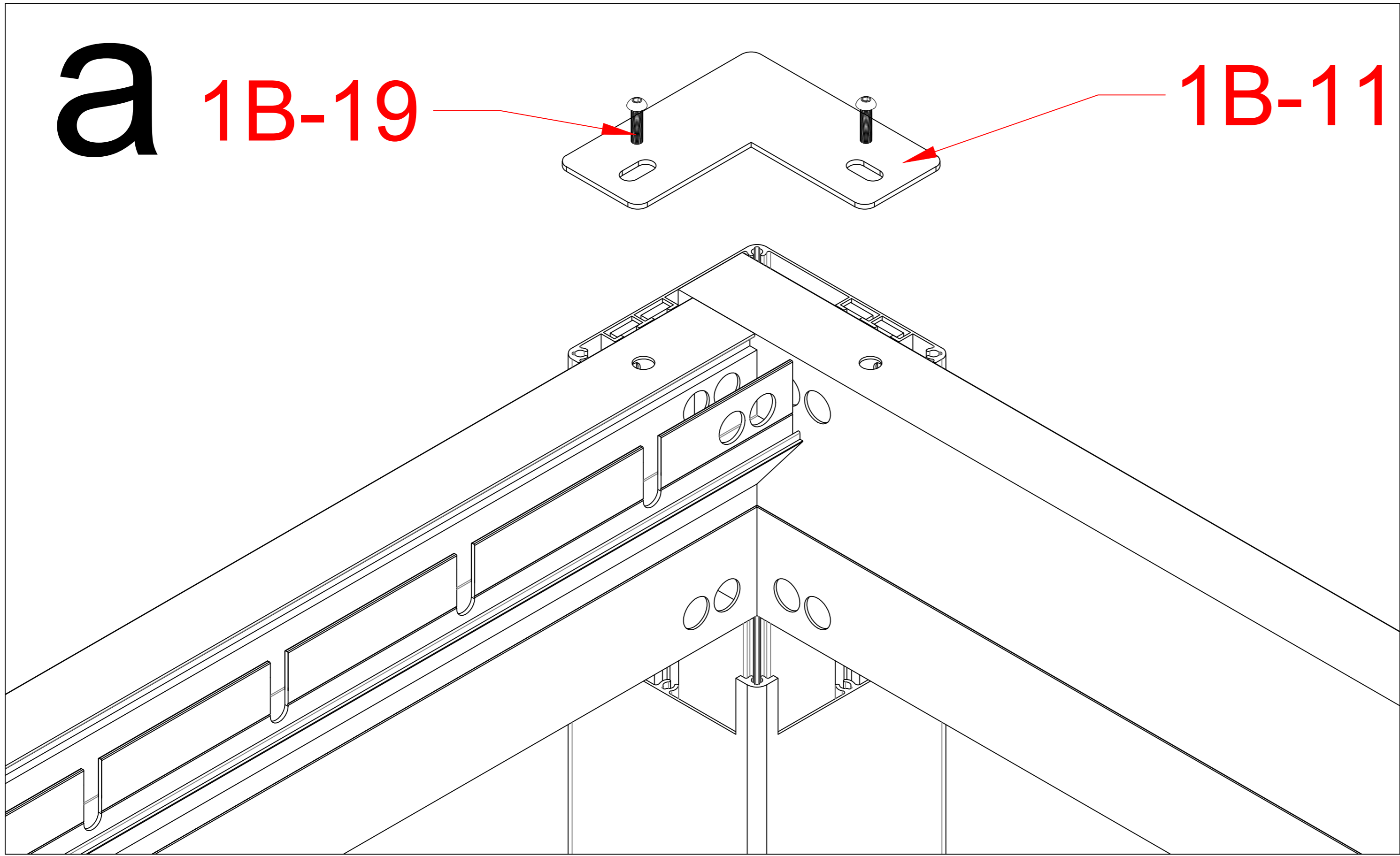


Pls measure the diagonal size and make sure the diagonal size keeps same before screw 1B-21 mounted. If not, pls adjust it to same size.

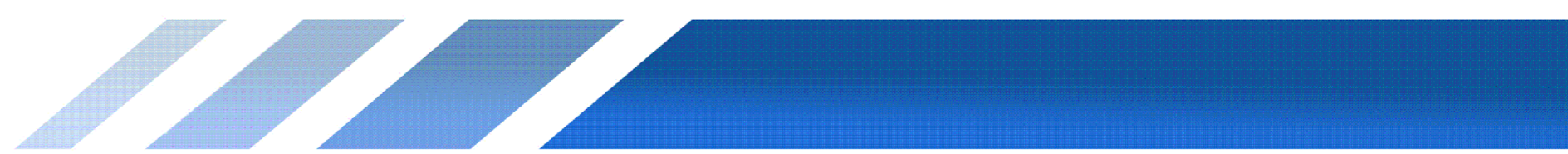


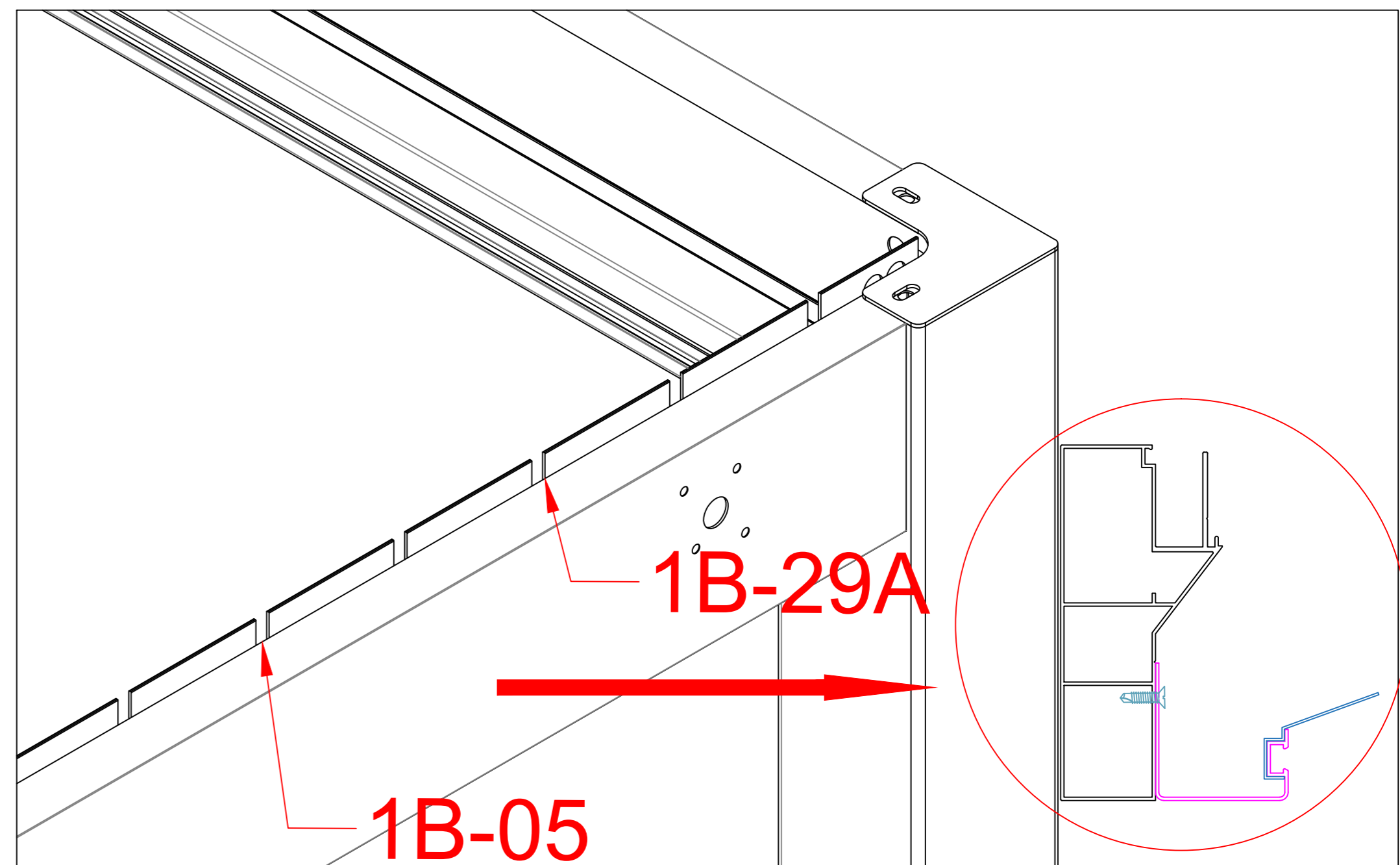
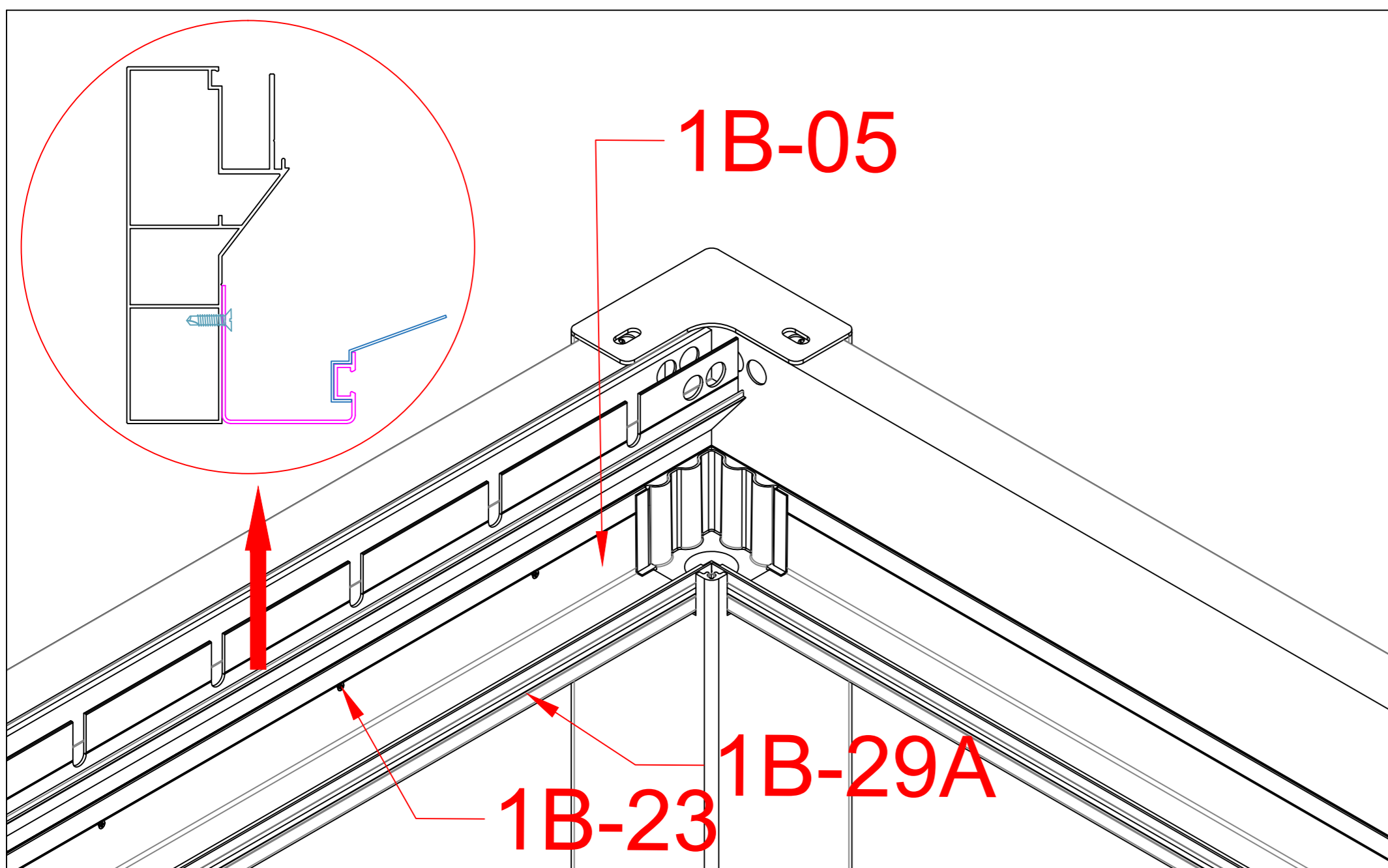
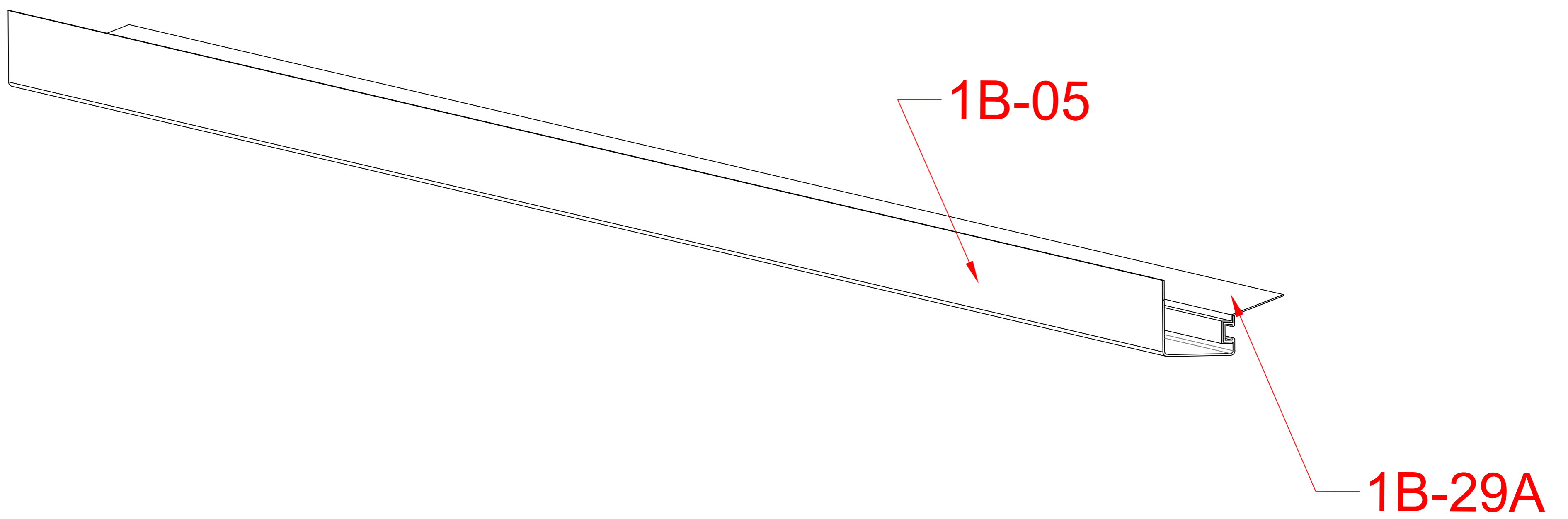
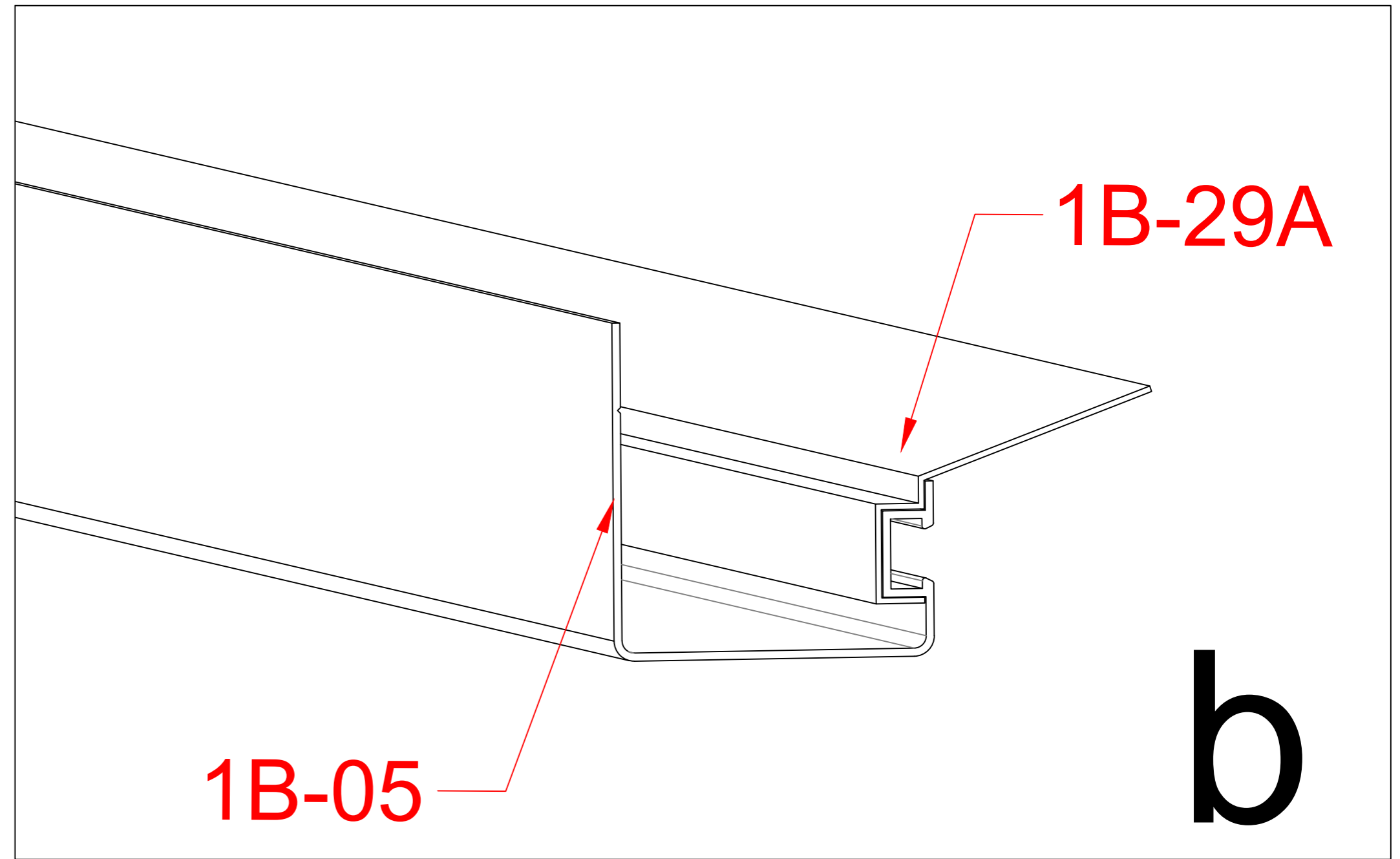
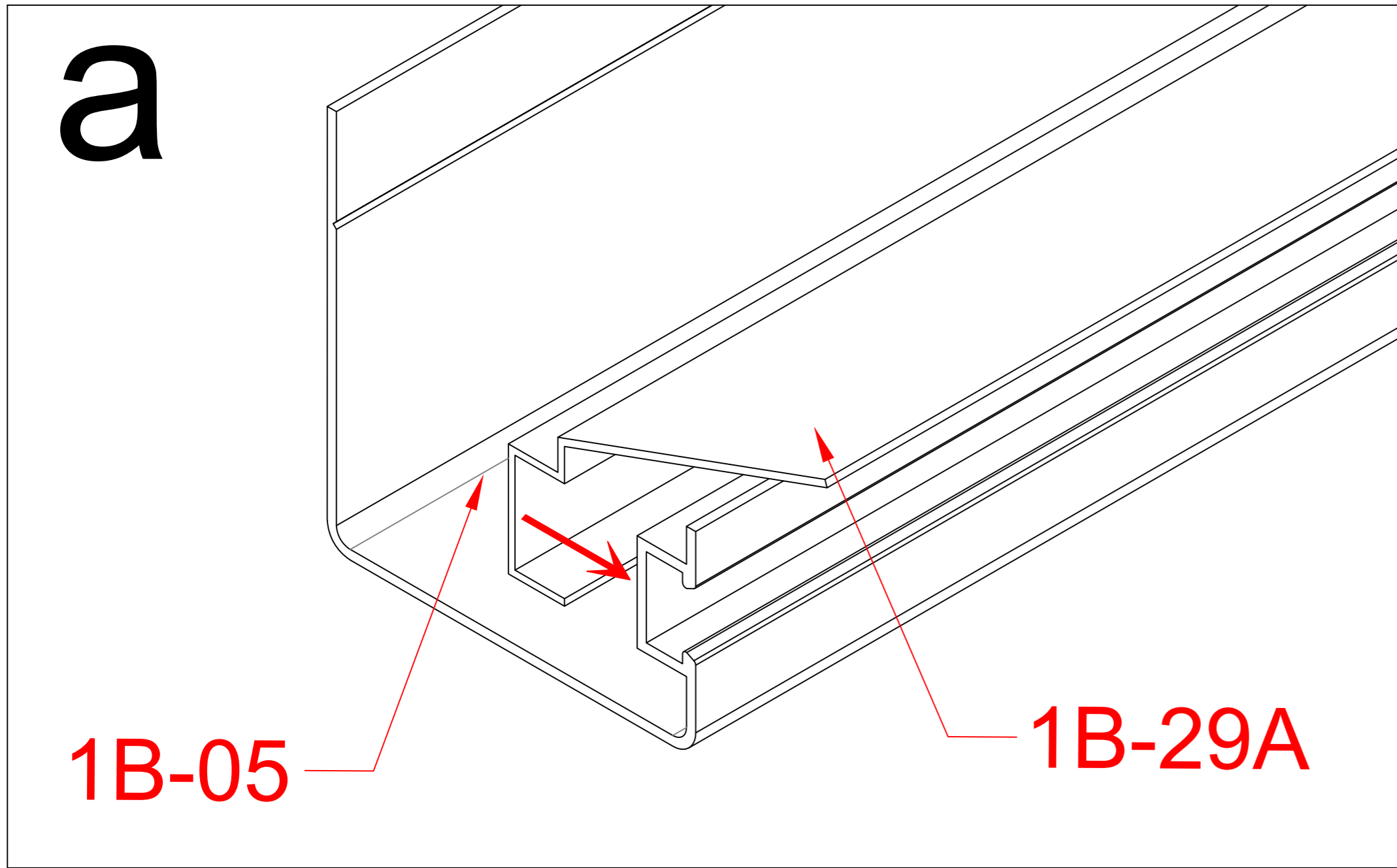
1B-21		16
-------	---------------------------------------------------------------------------------------	----

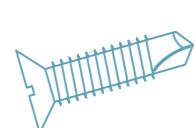
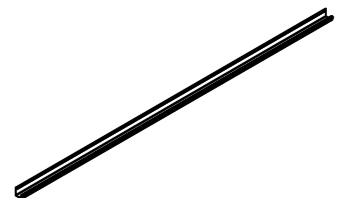
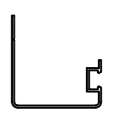



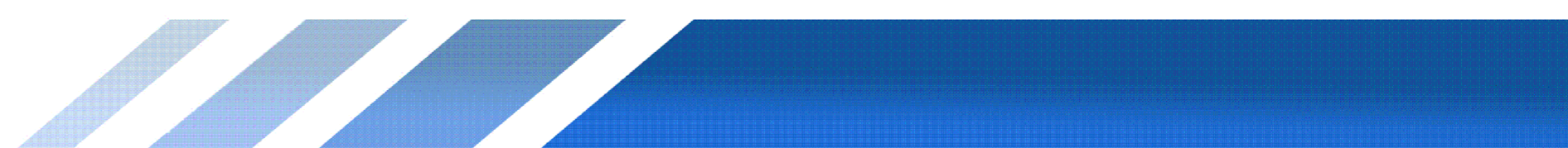


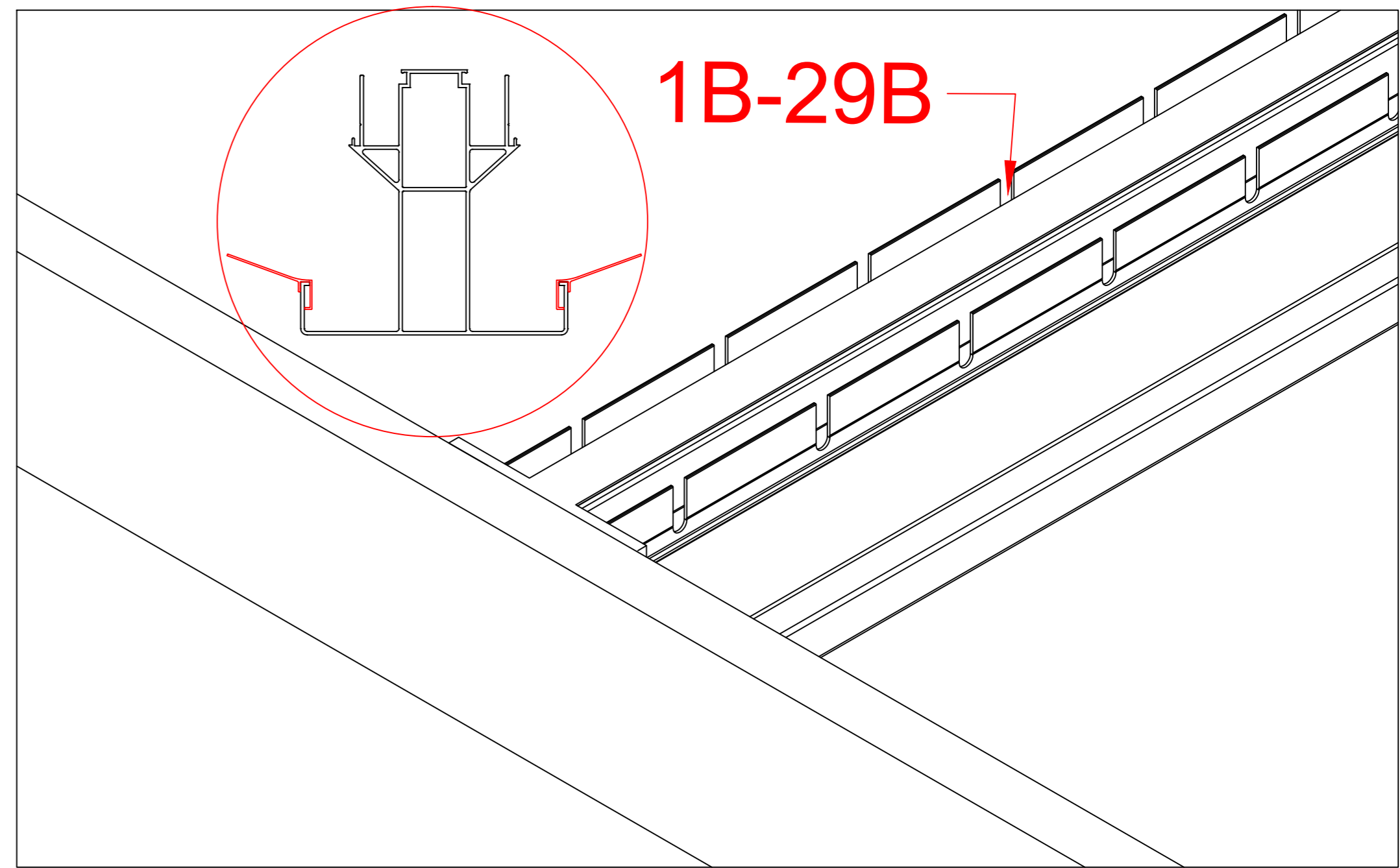
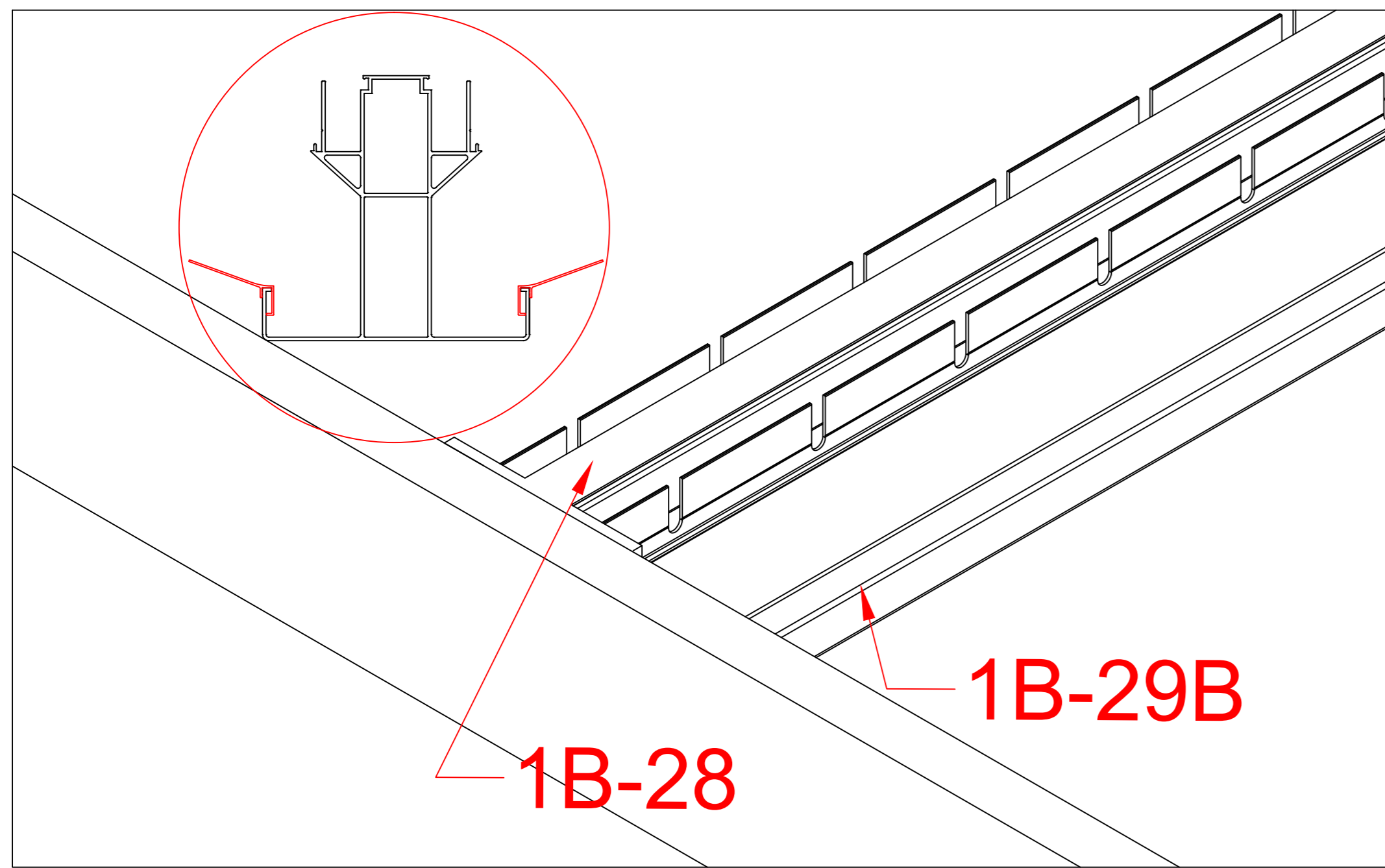
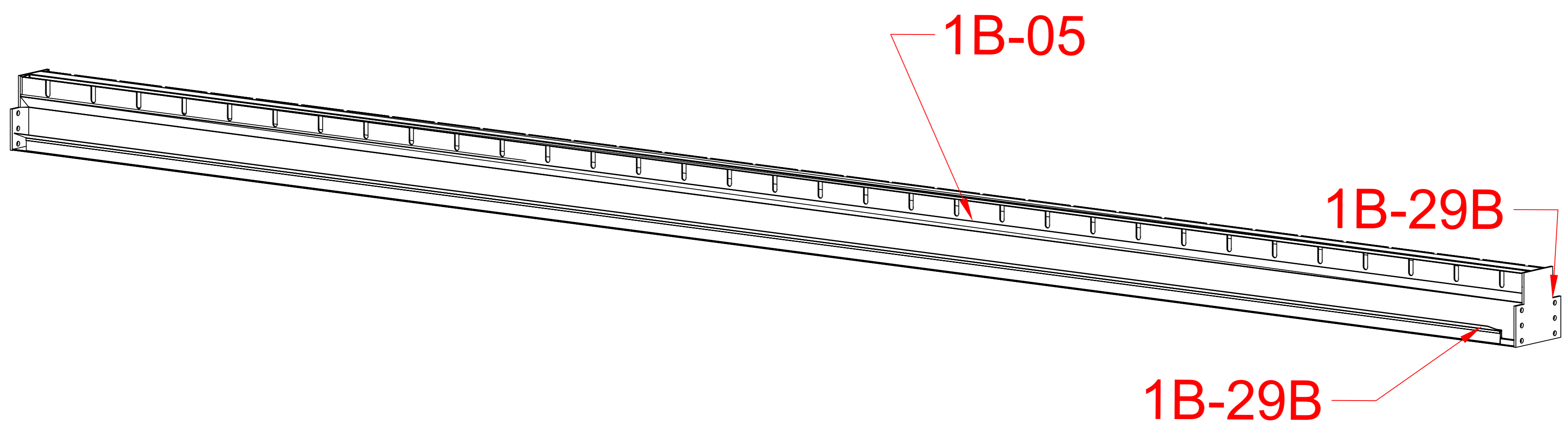
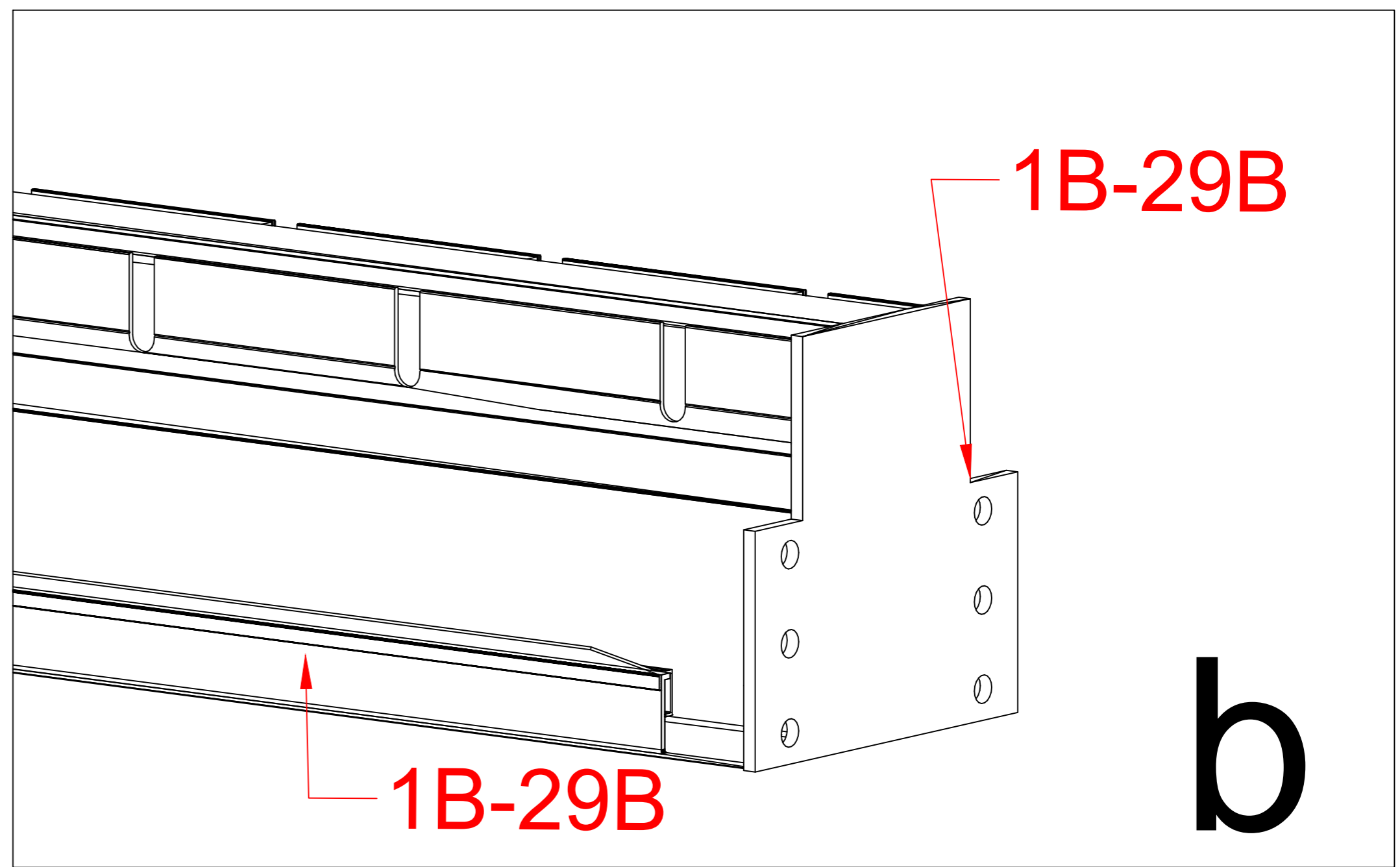
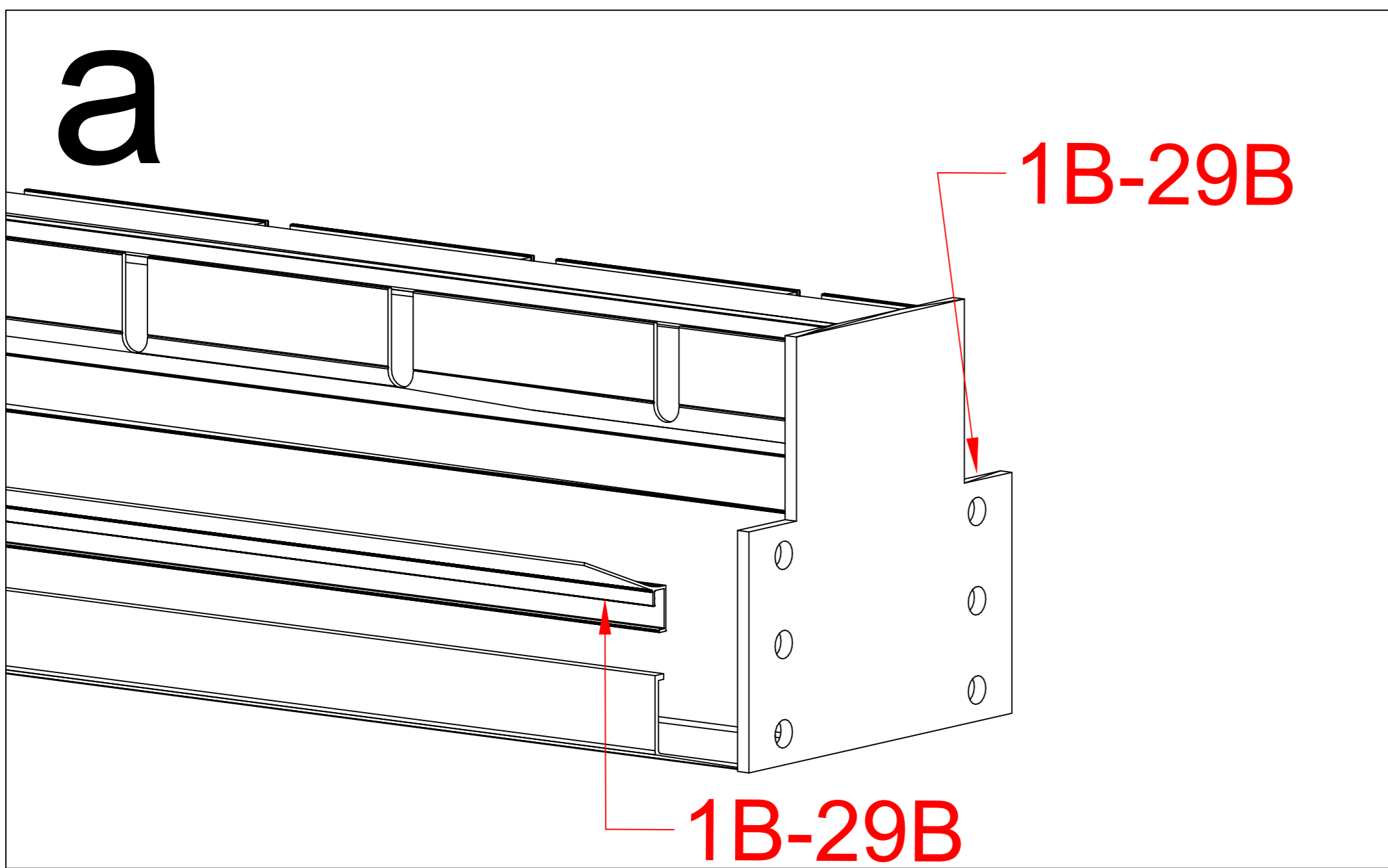
1B-11		4
1B-19		8



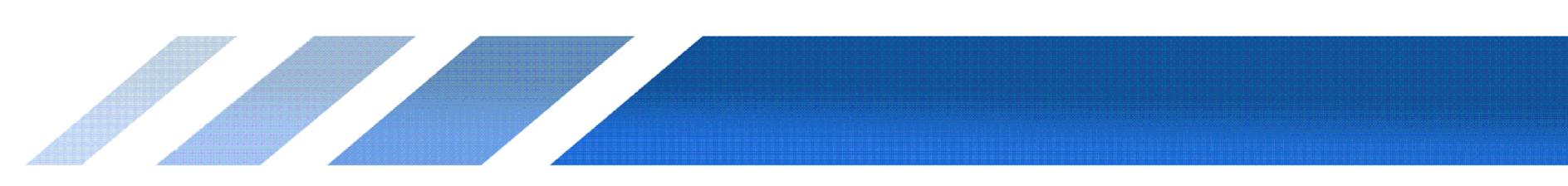


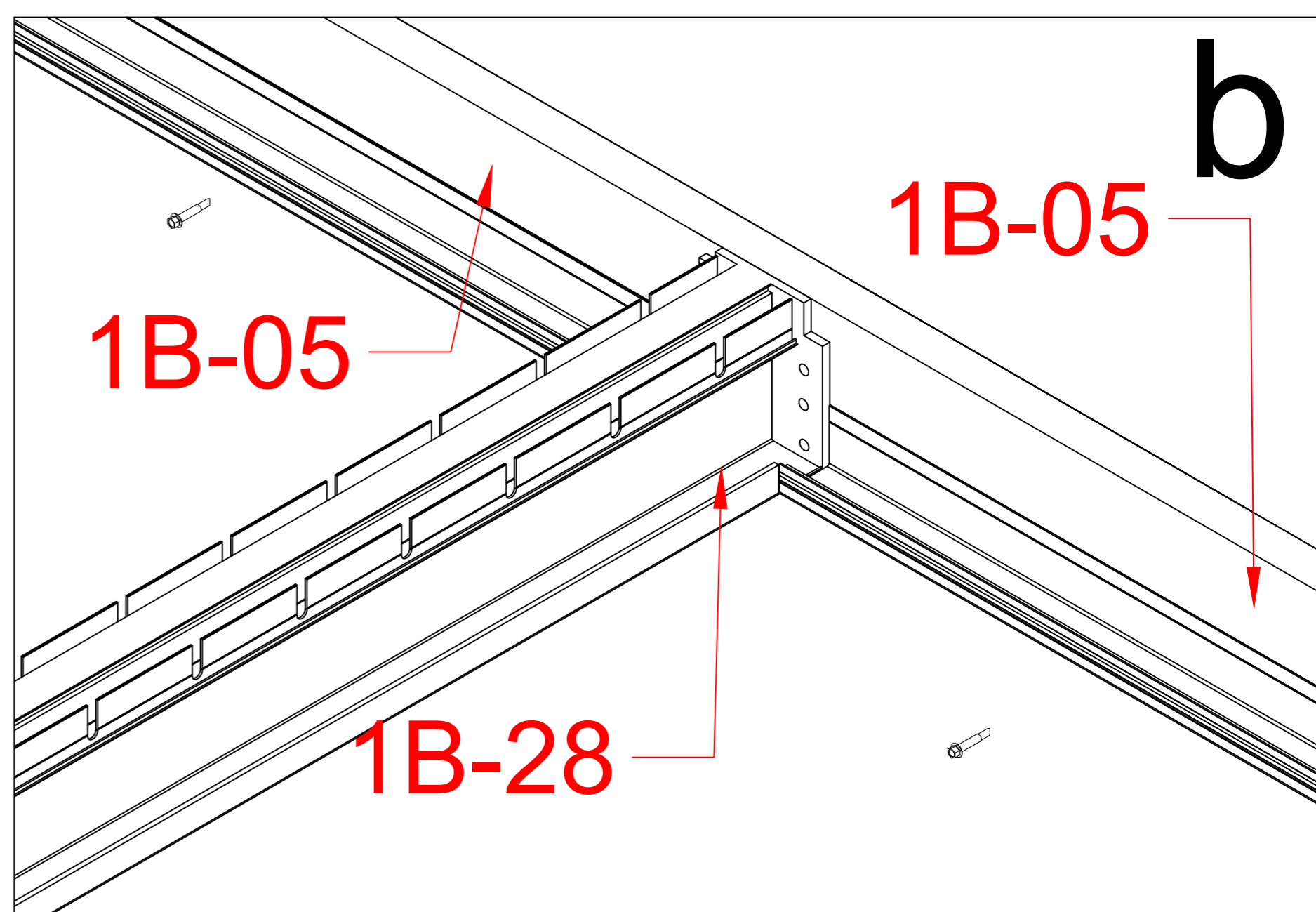
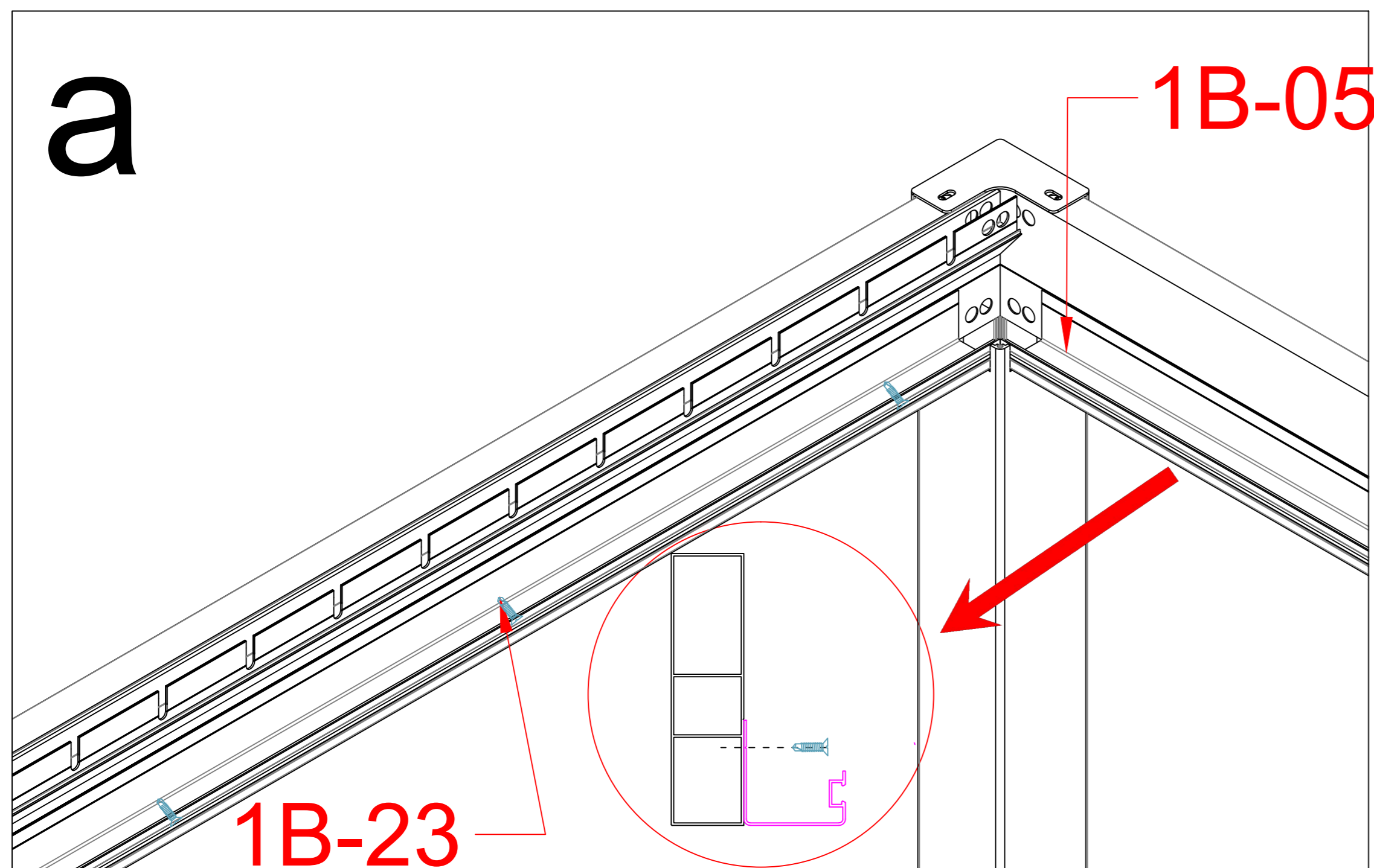
1B-23		10
1B-05	 	2
1B-29A		2



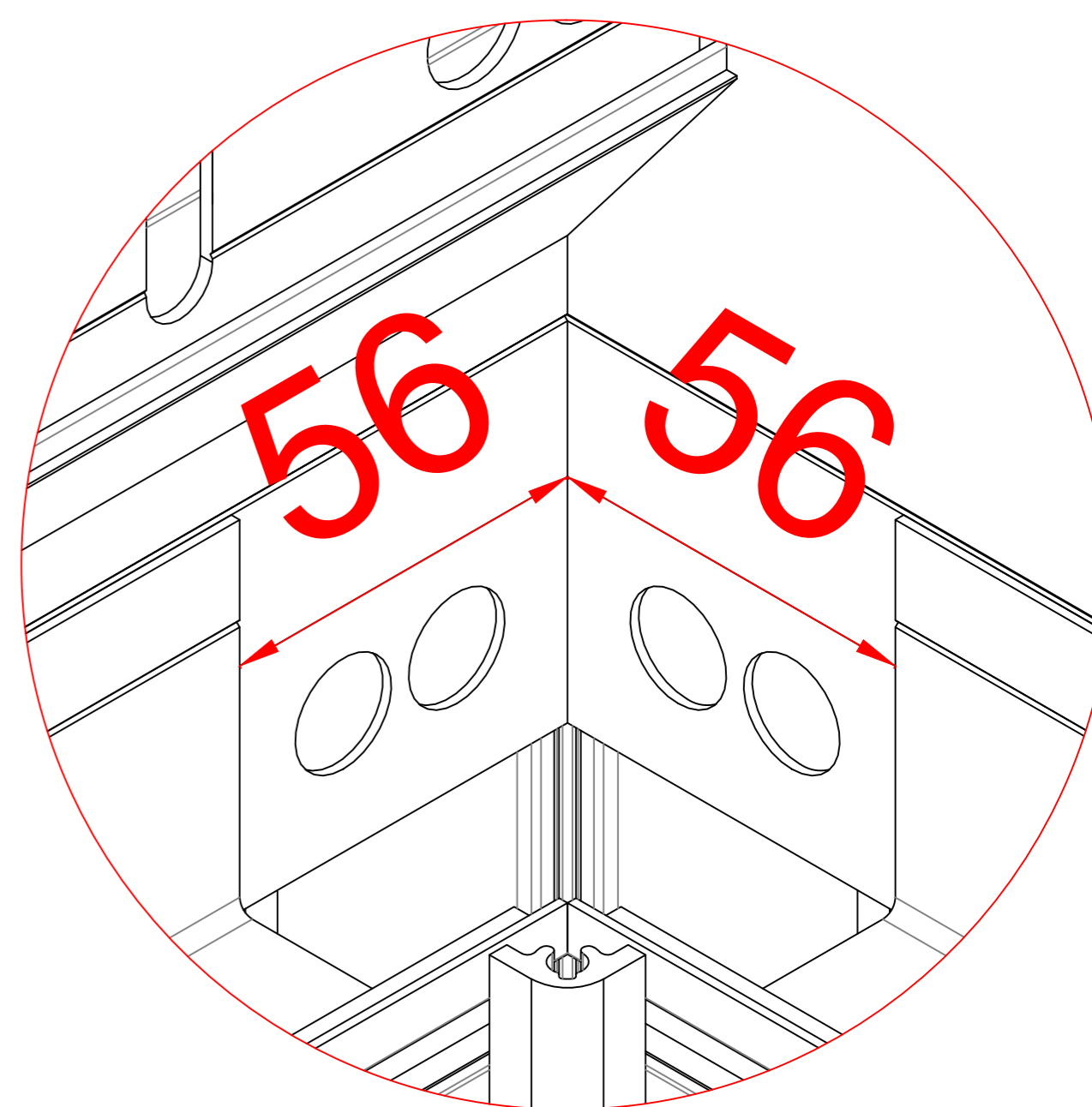
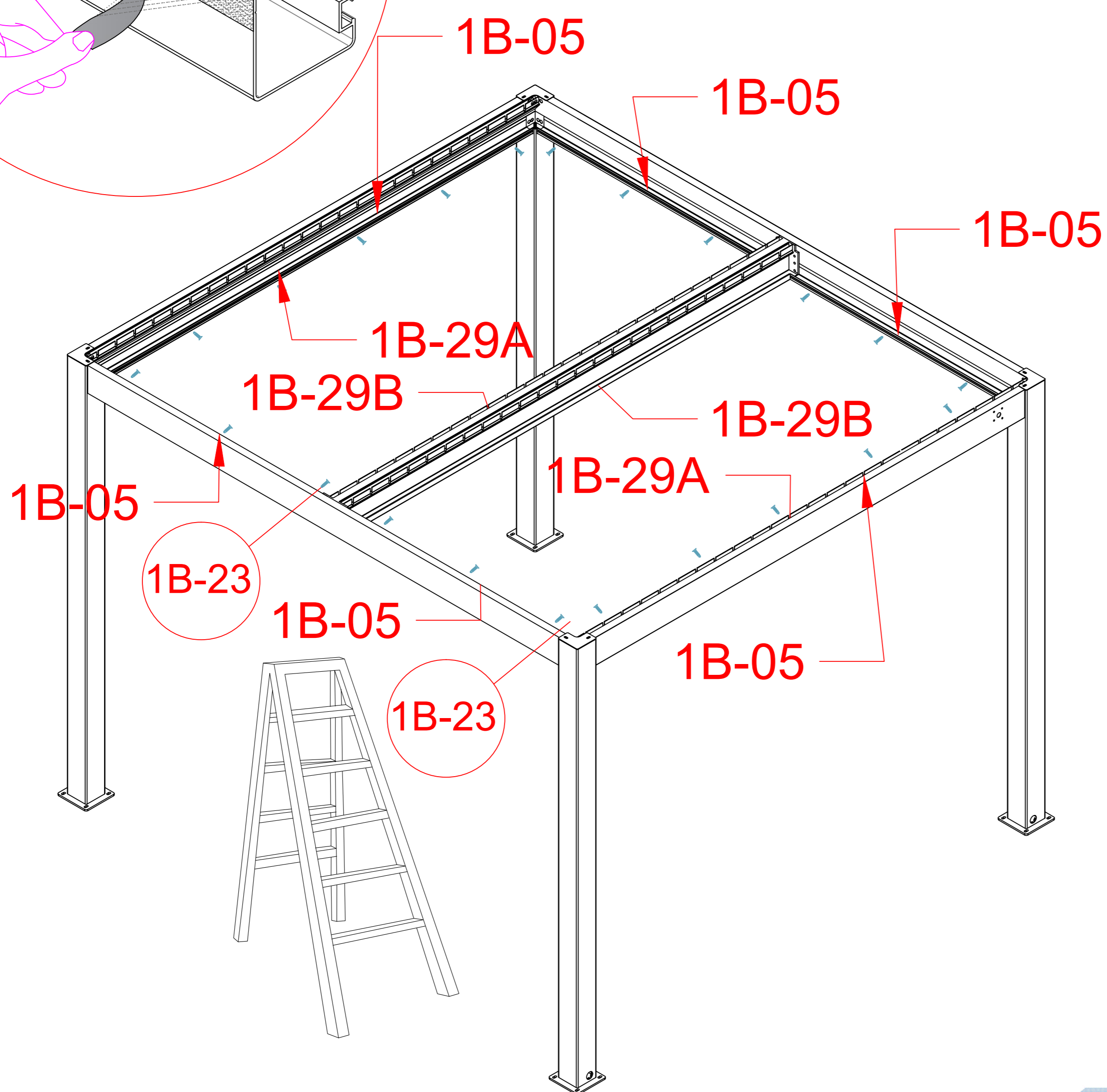
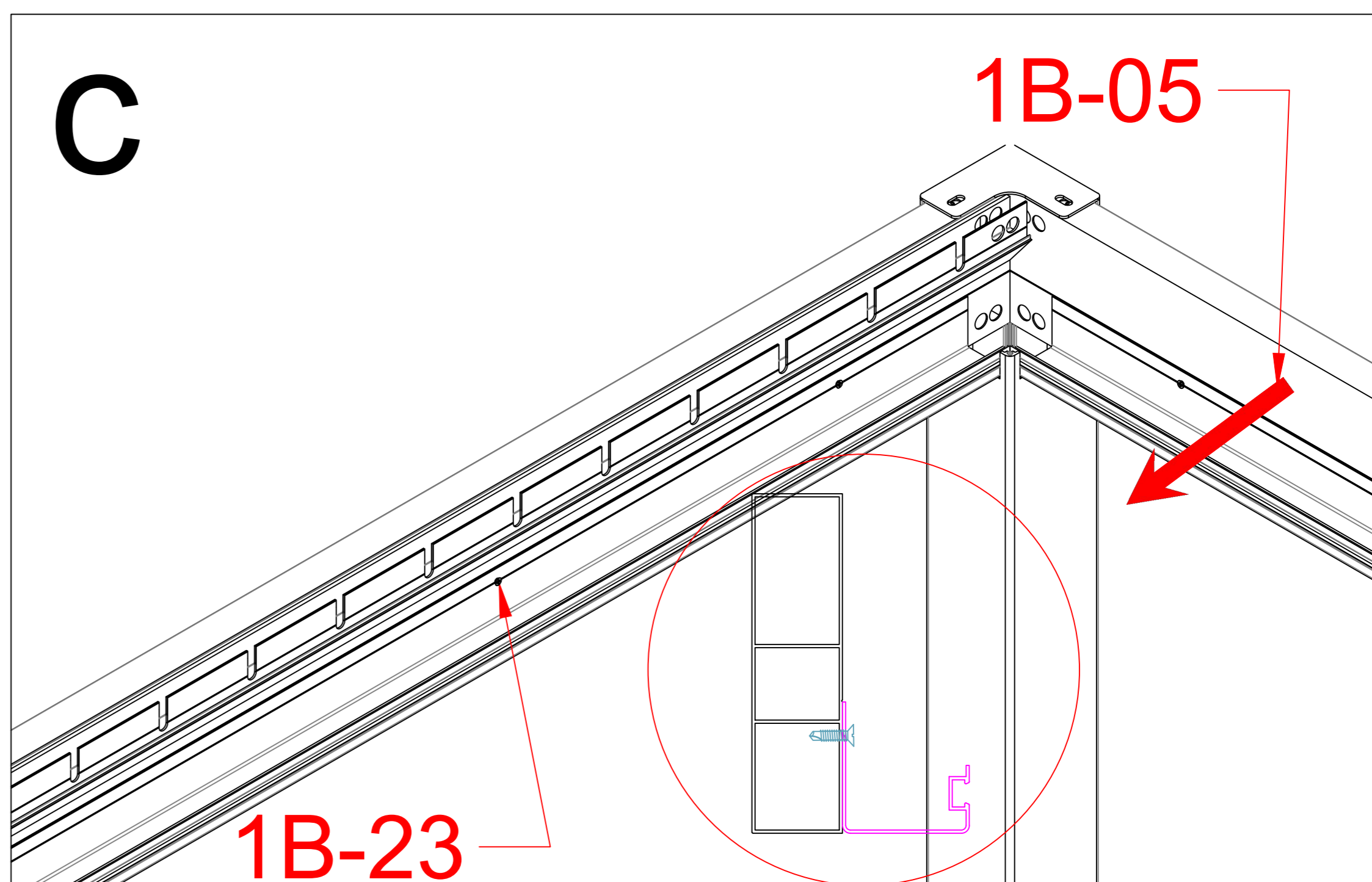
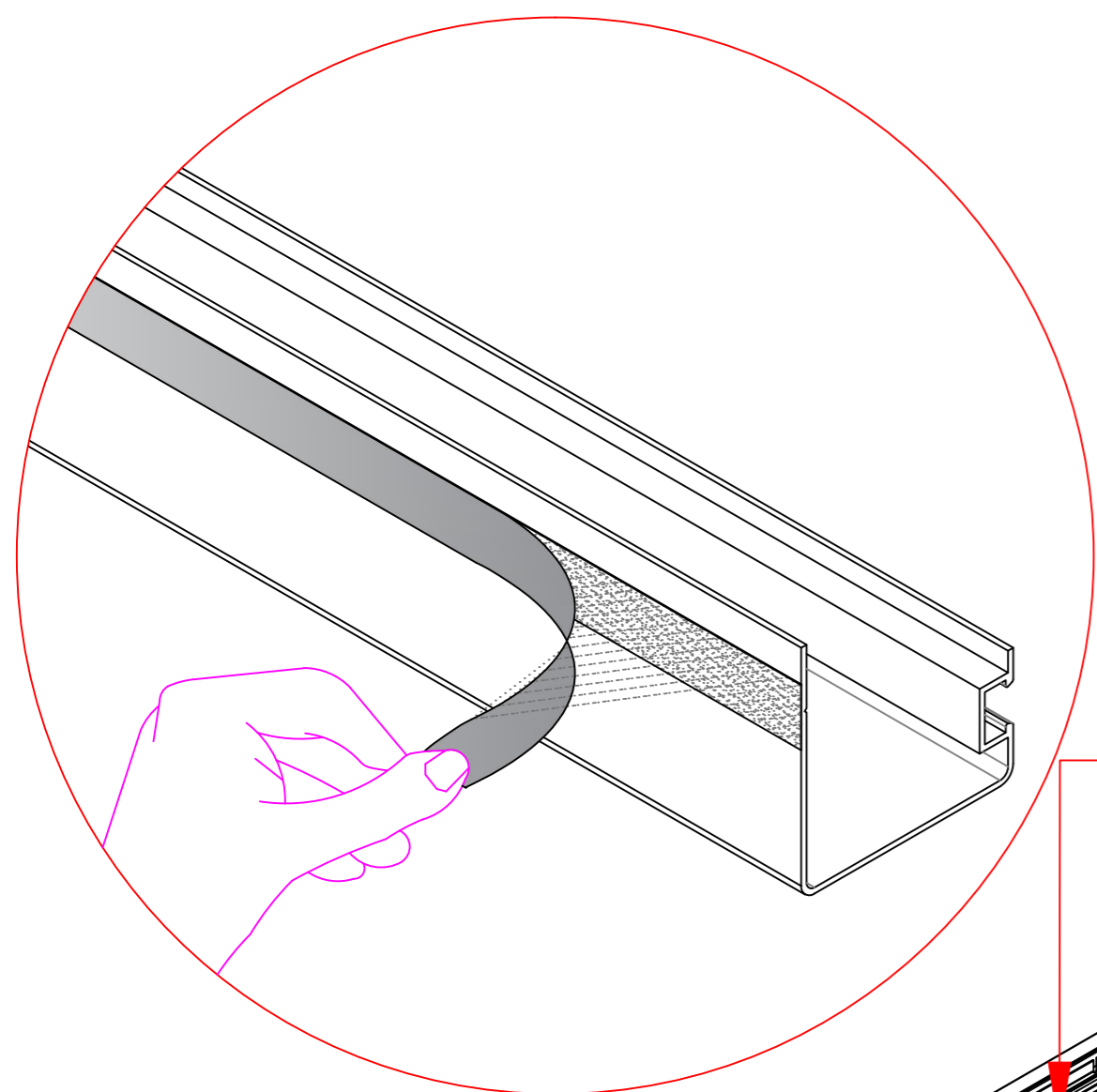


1B-29B		2
--------	--	---

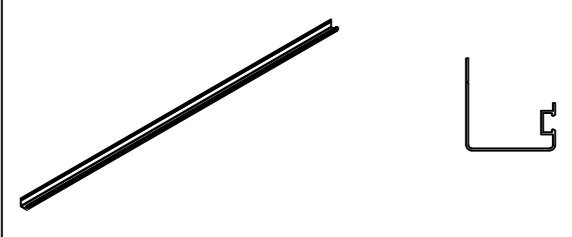
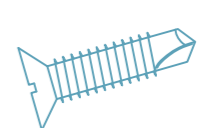


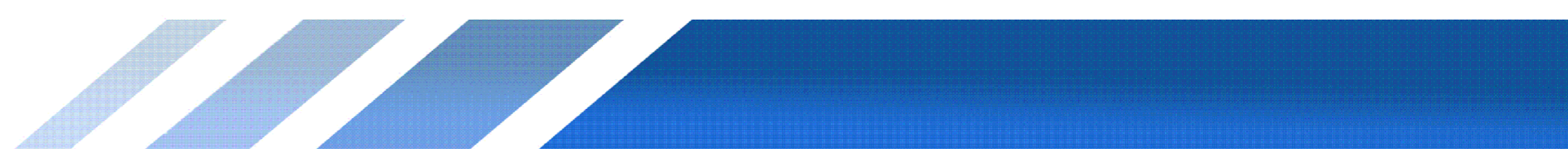


Warning:
Before installation, tear off the protective film of the tape on the back side of Gutter.



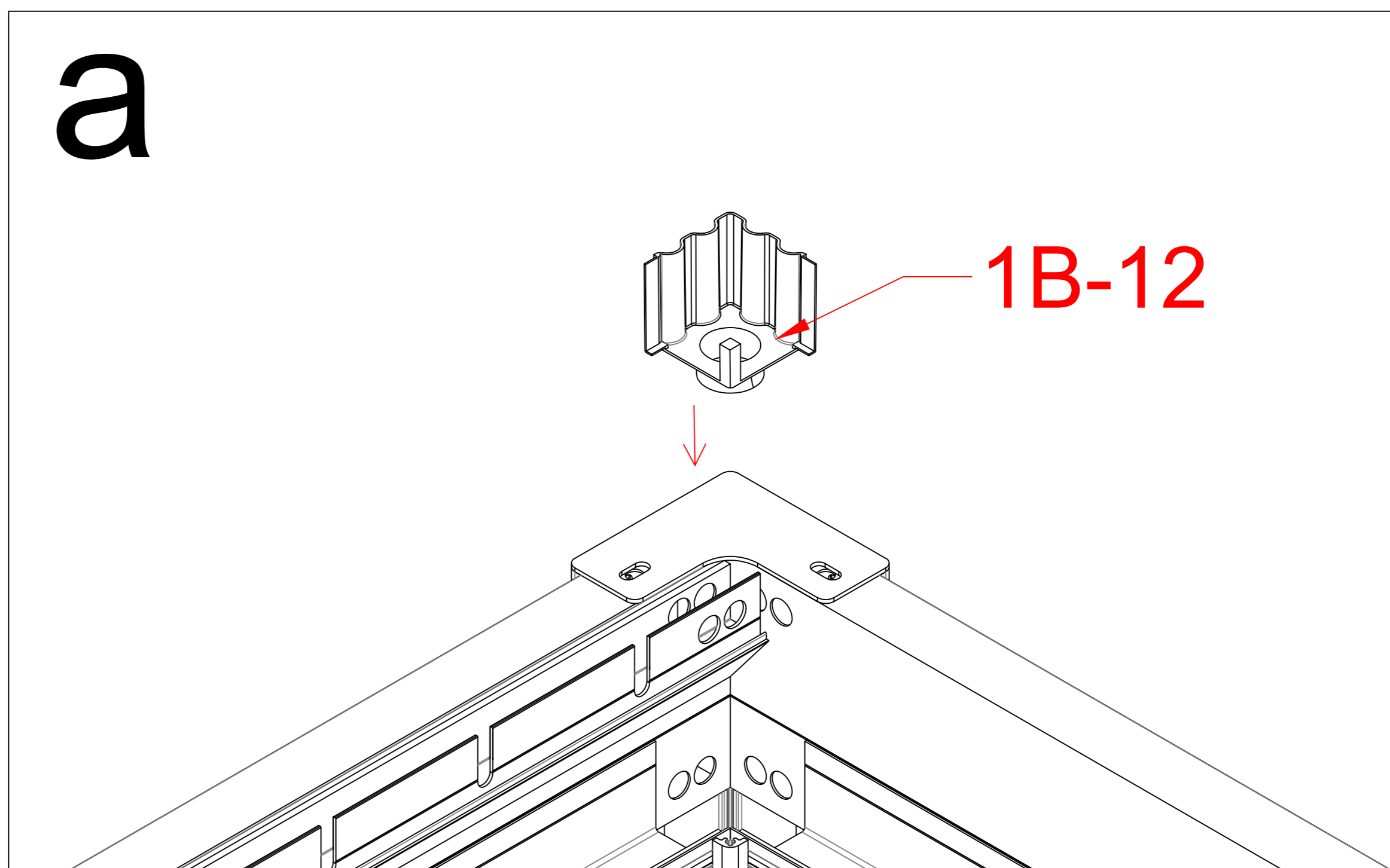
4*4m-22	5screws/4m side
---------	-----------------

1B-05		4
1B-23		12

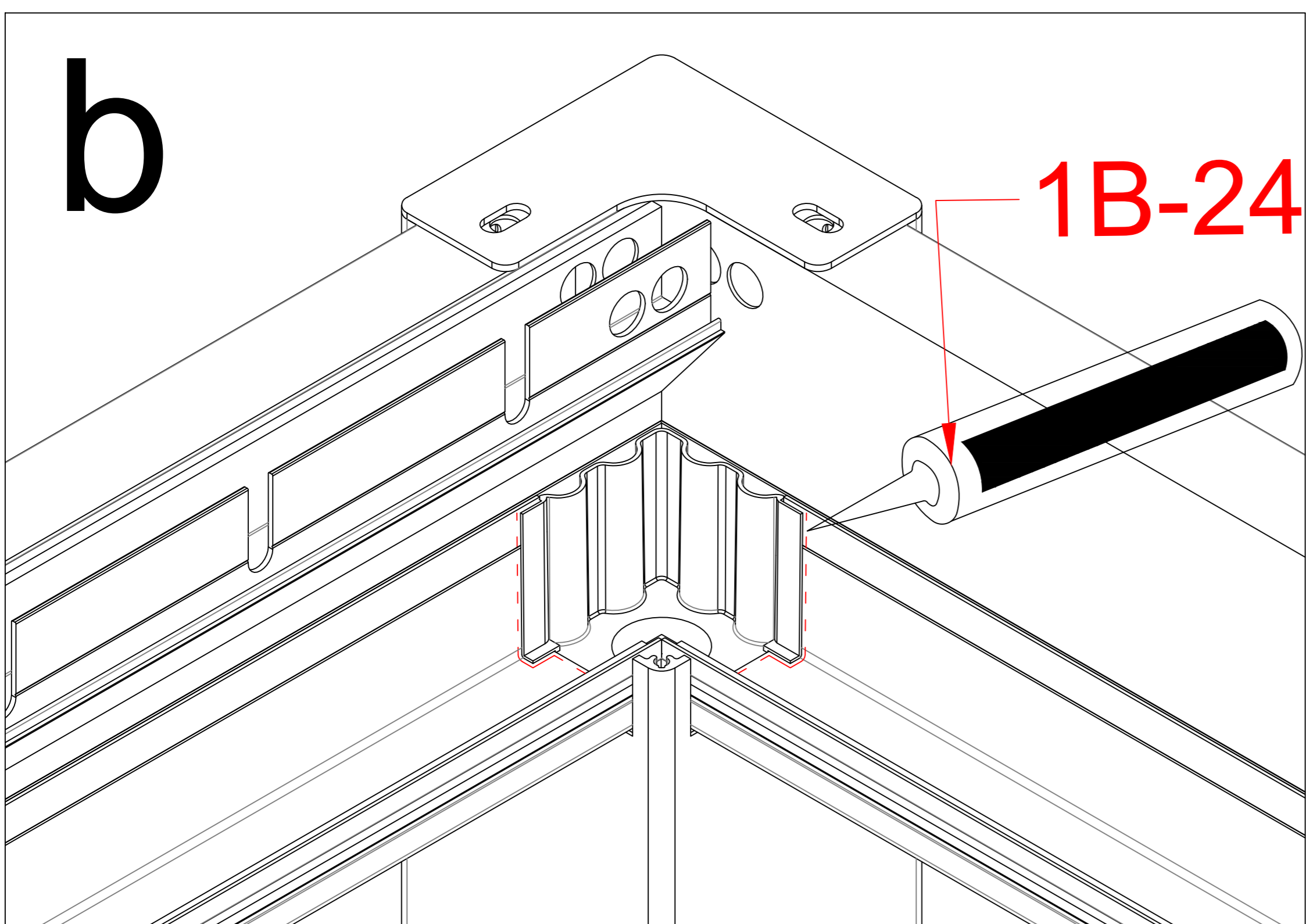




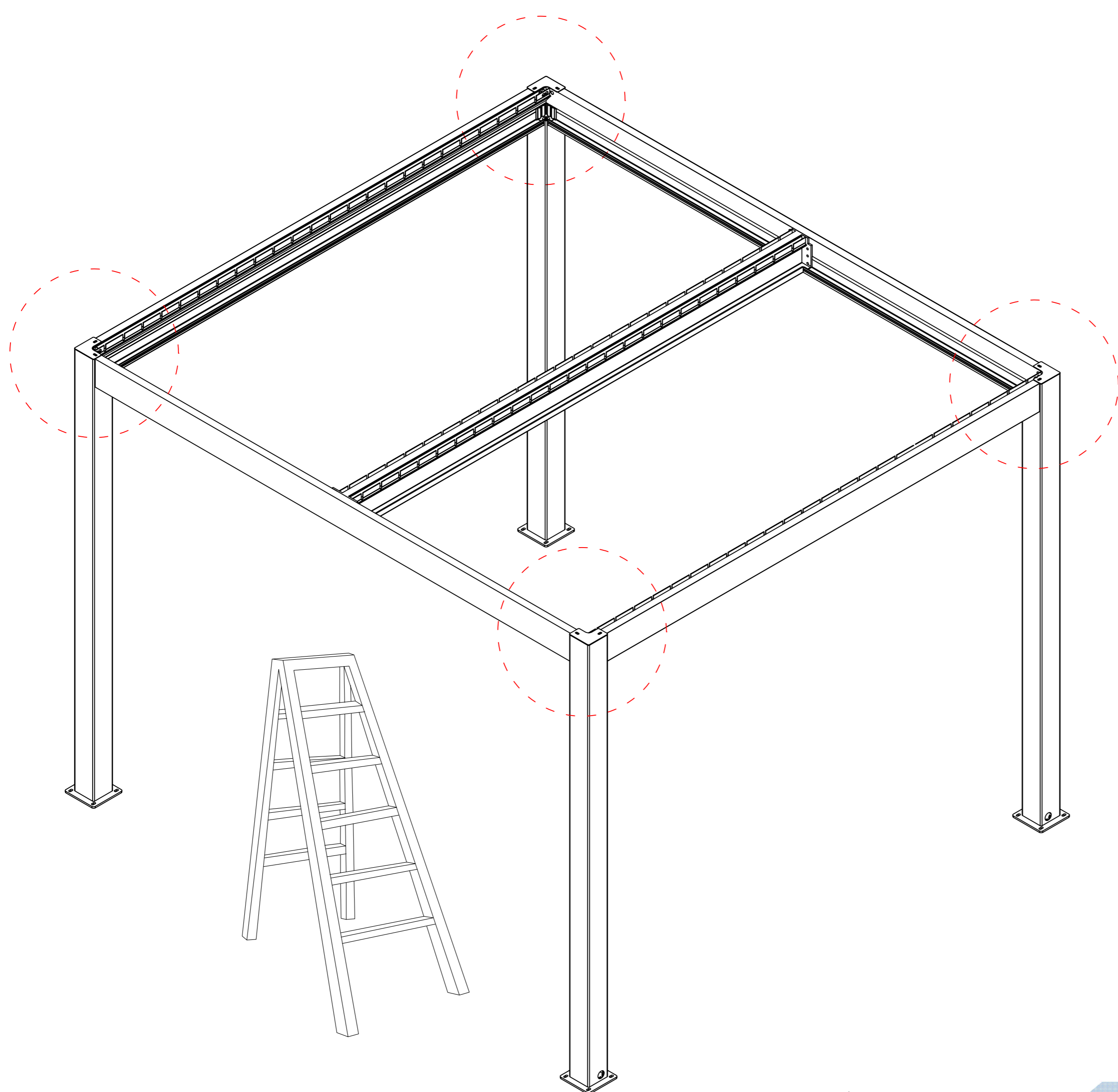
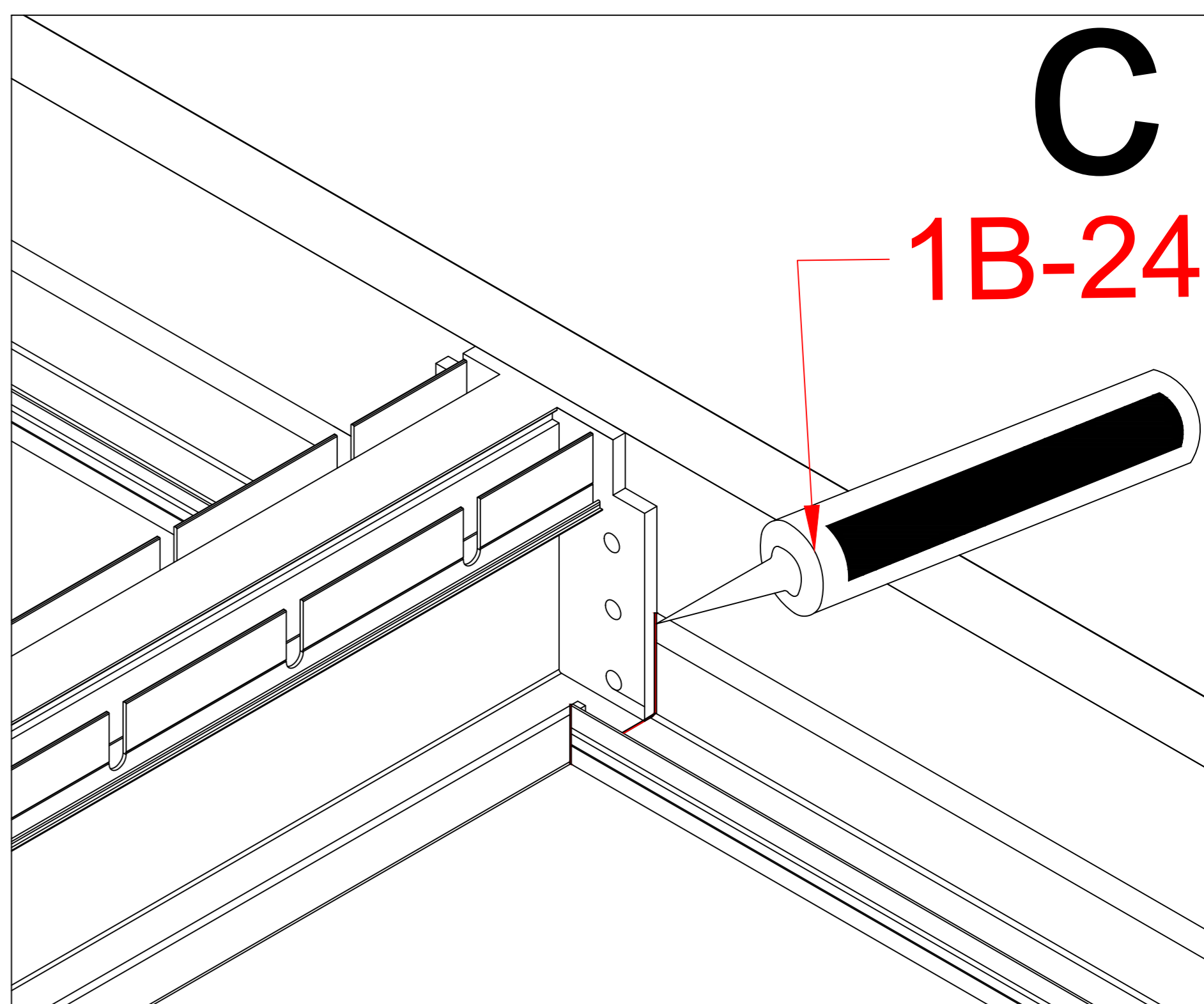
a



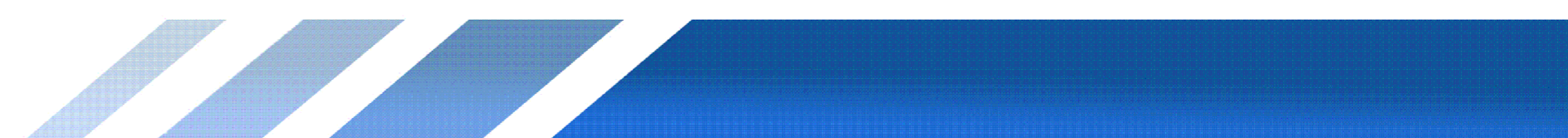
b

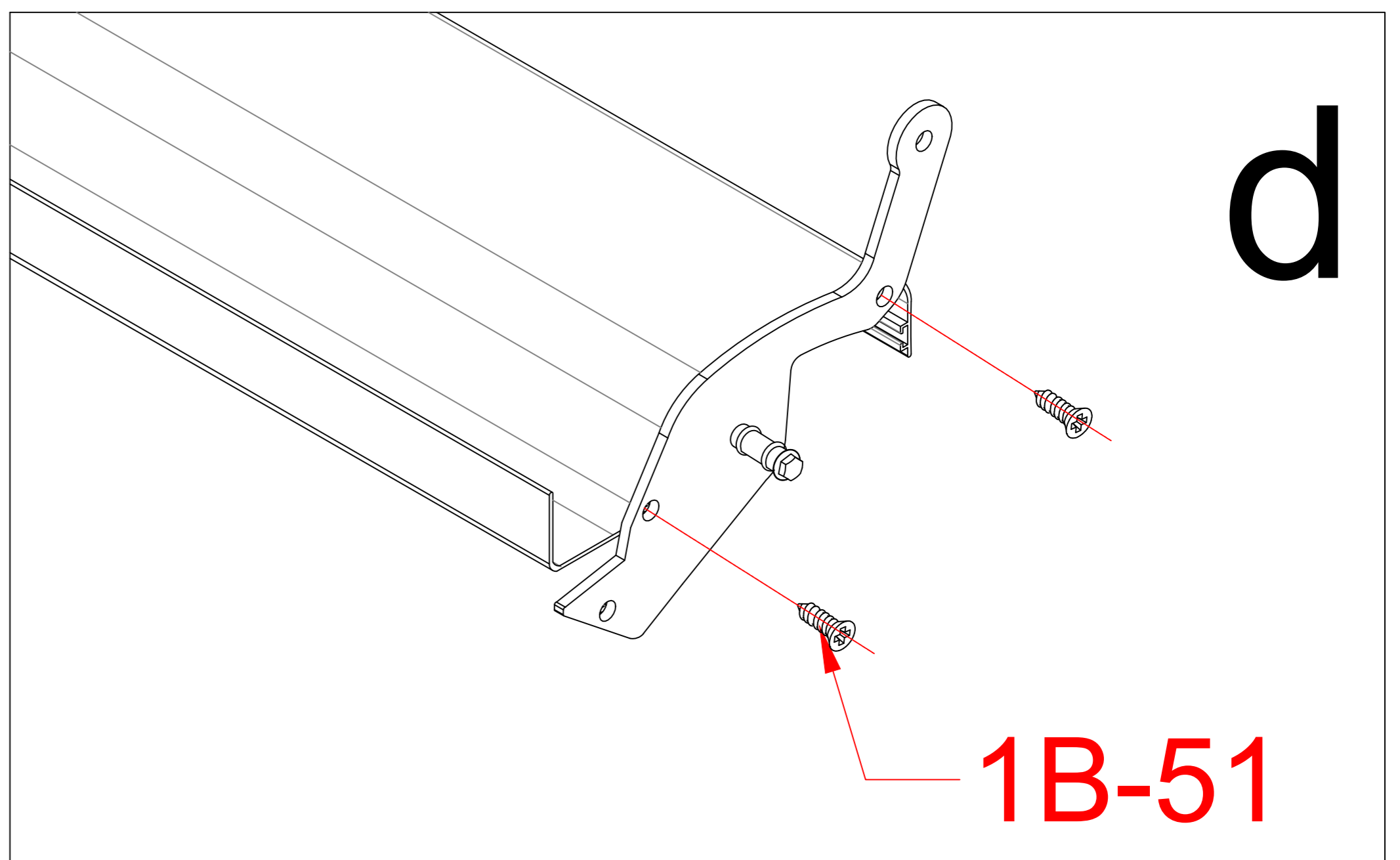
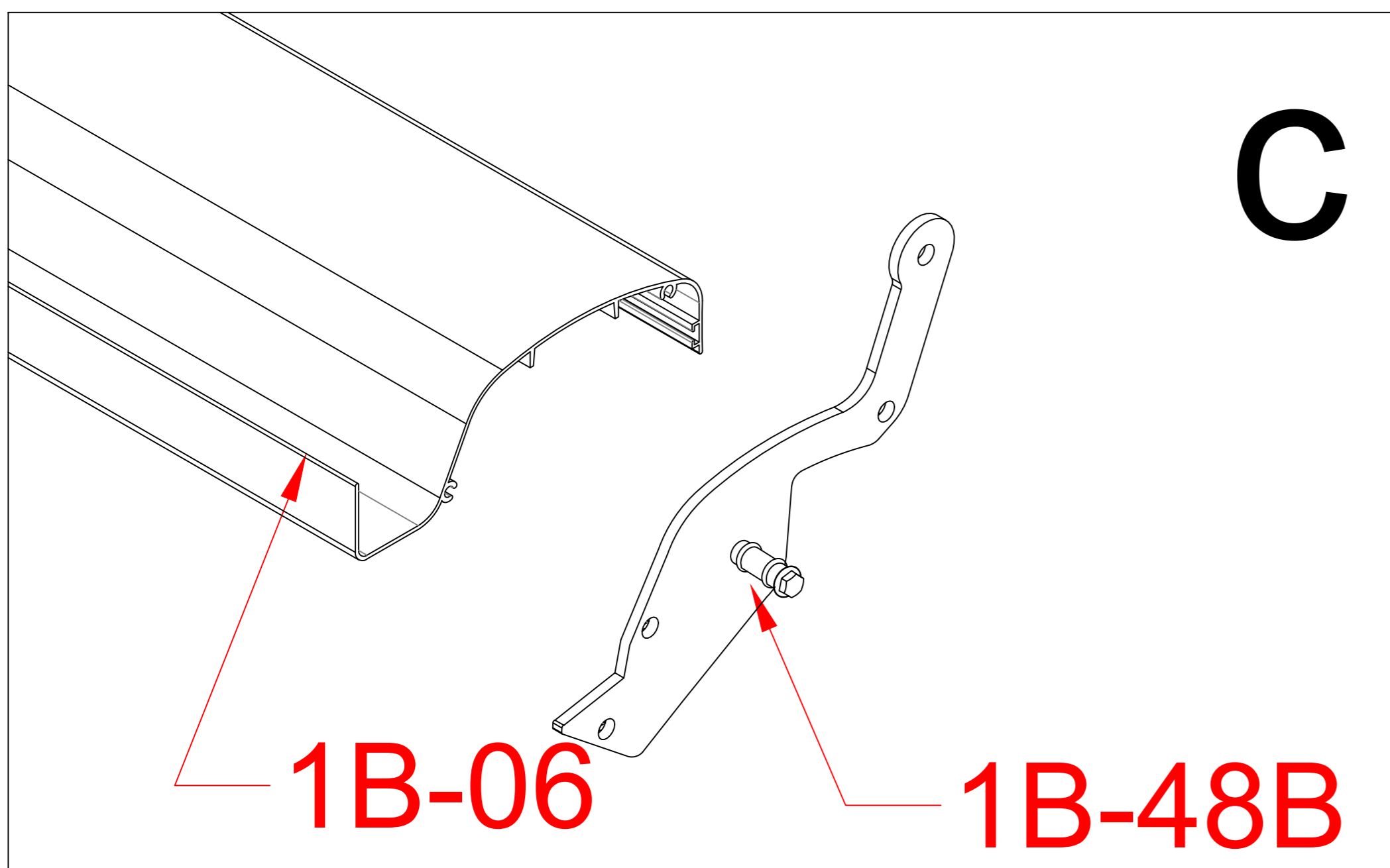
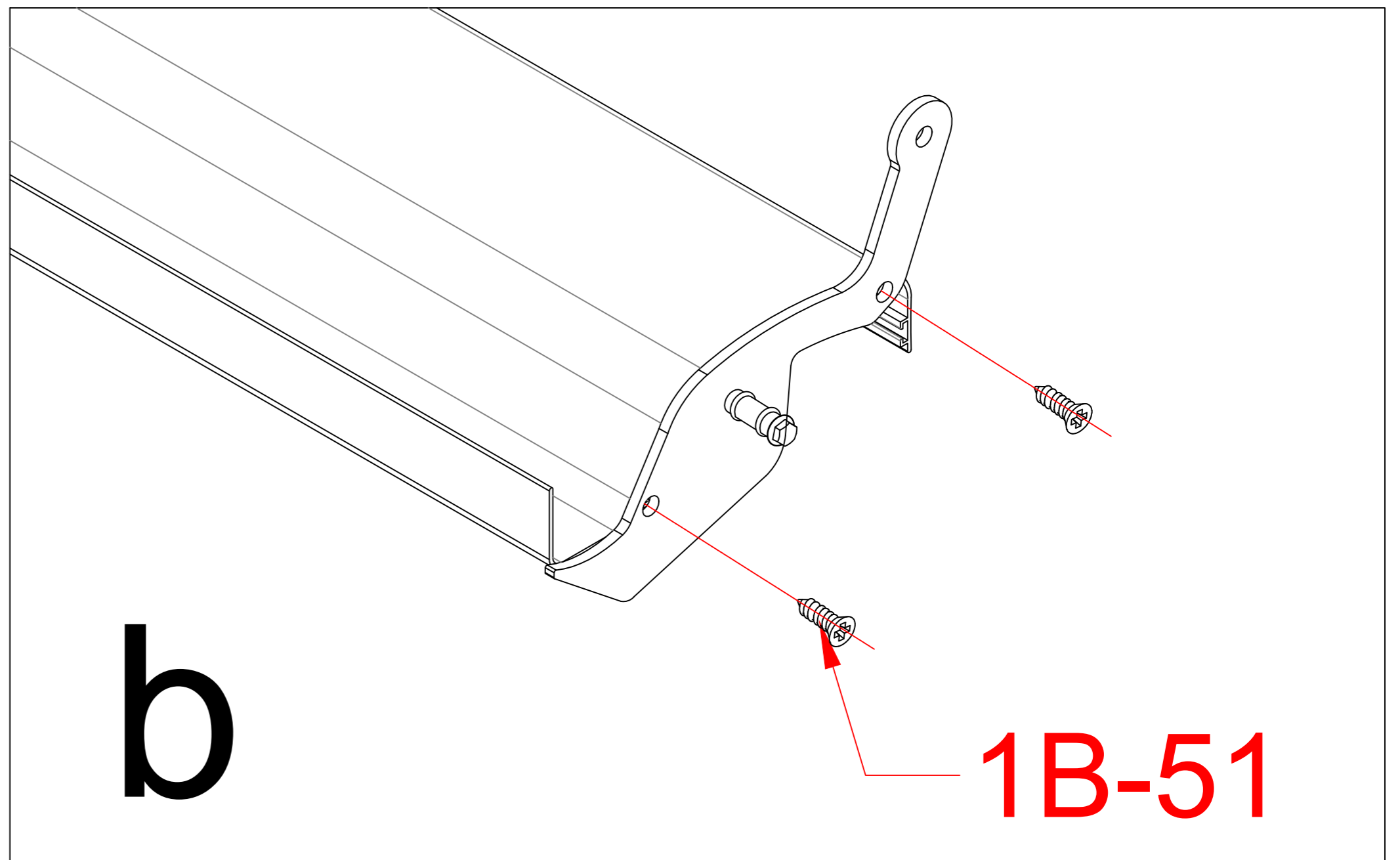
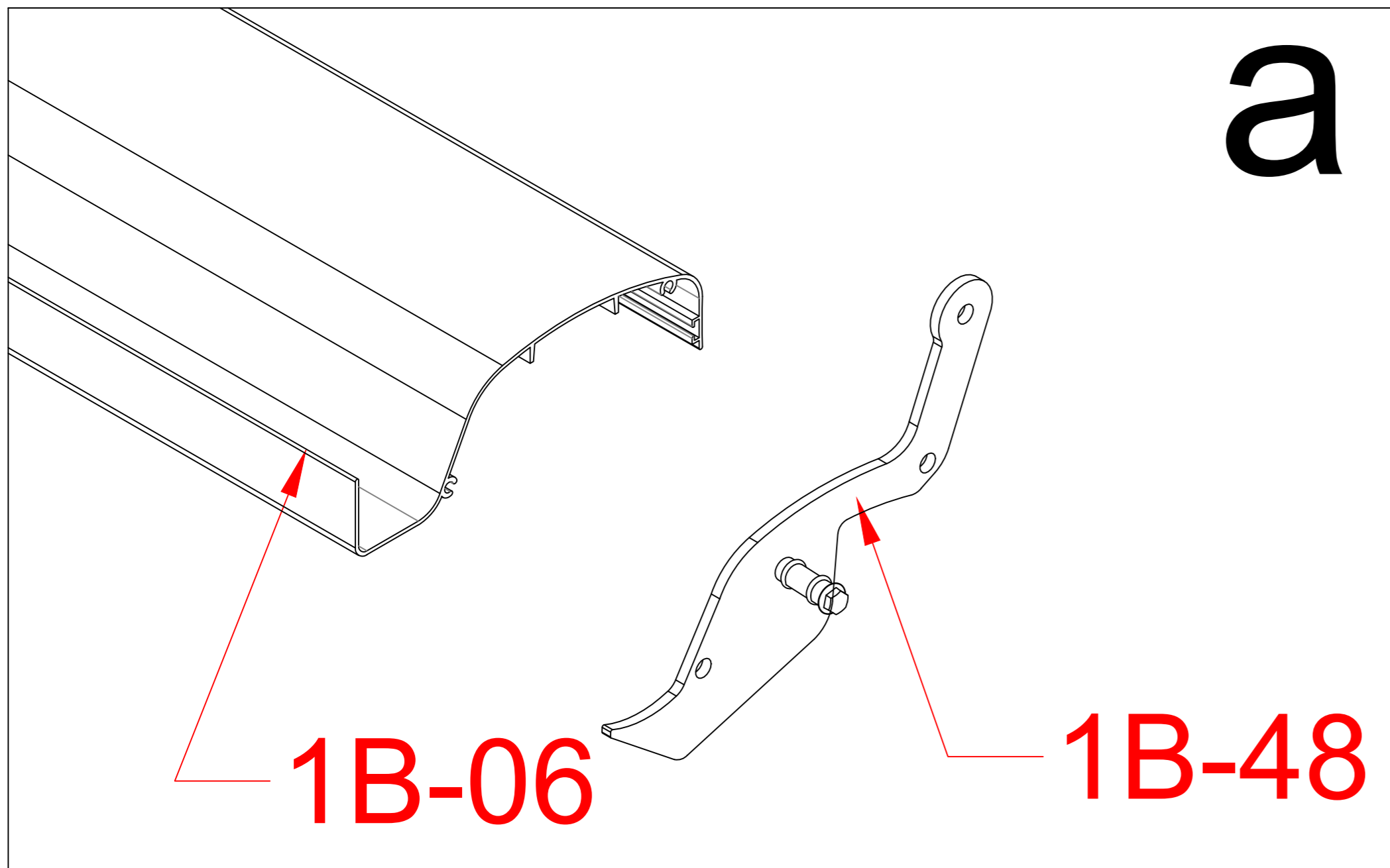


c

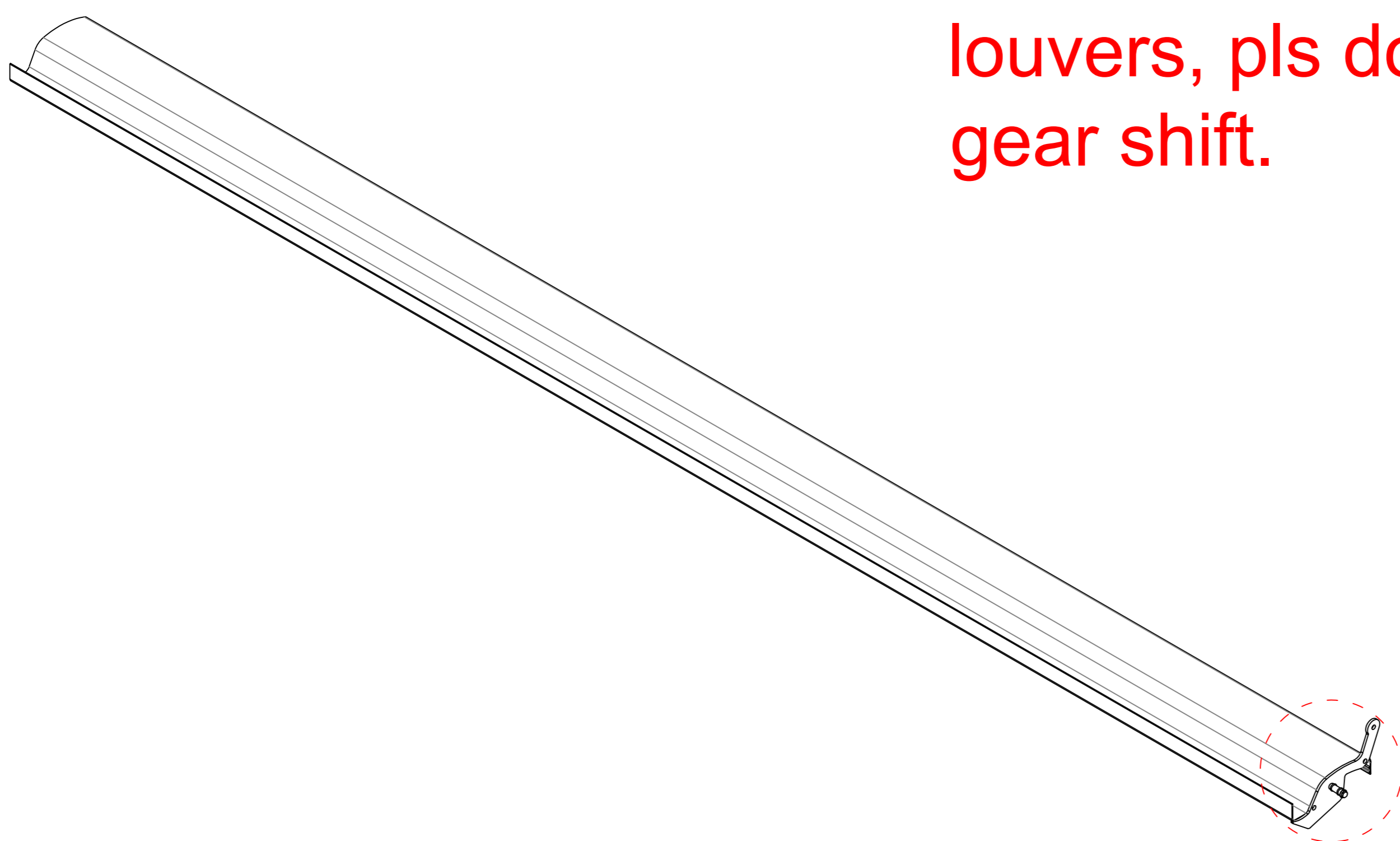


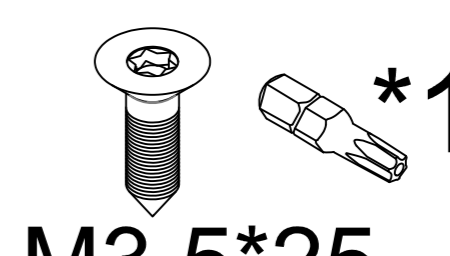
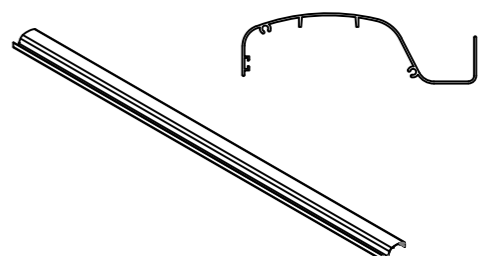
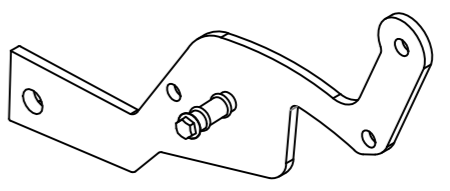
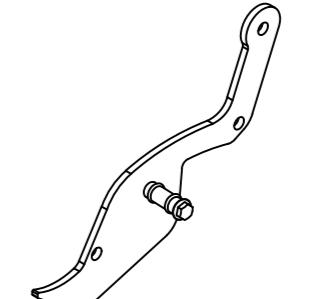
1B-24		1
1B-12		4



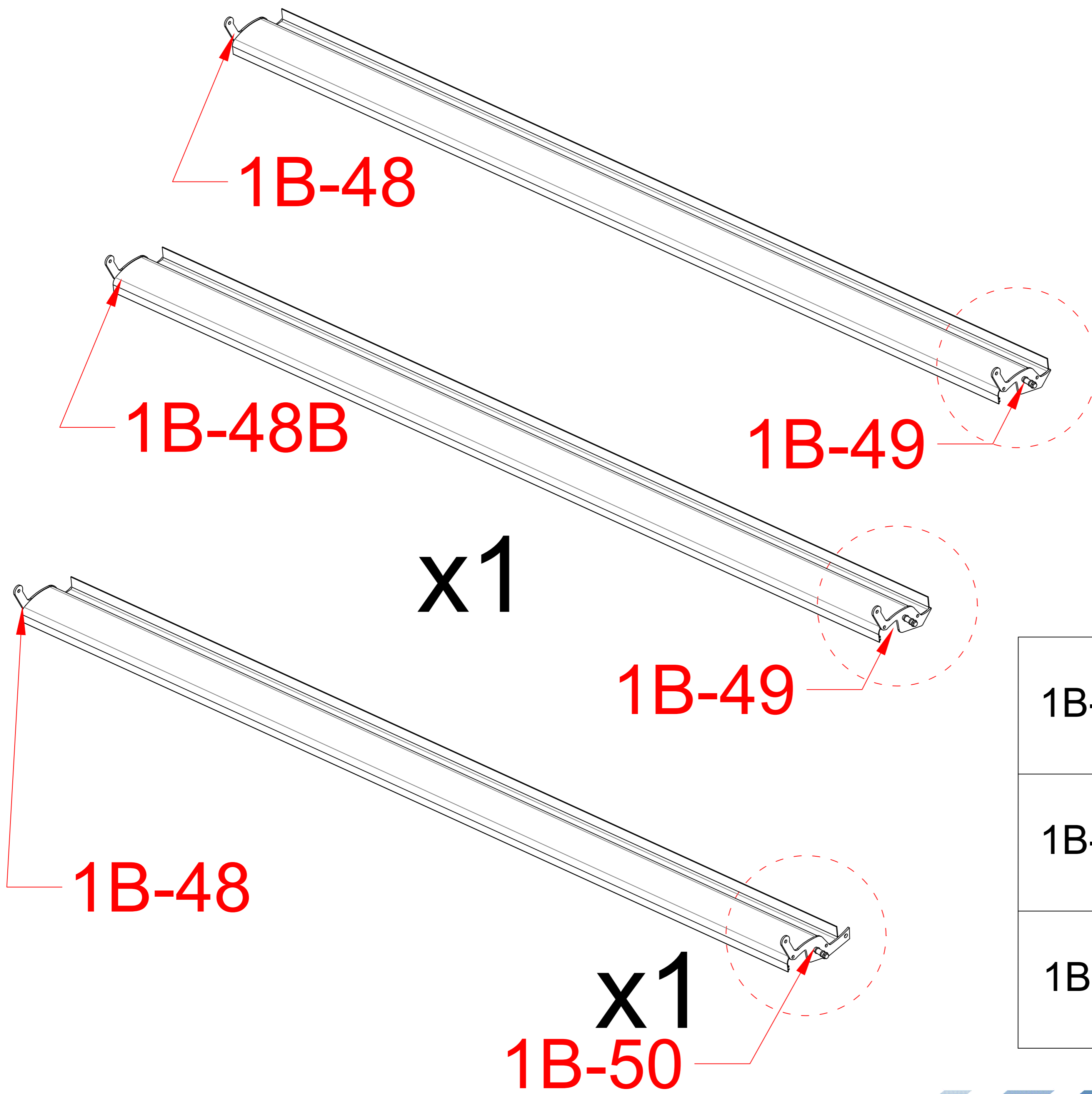
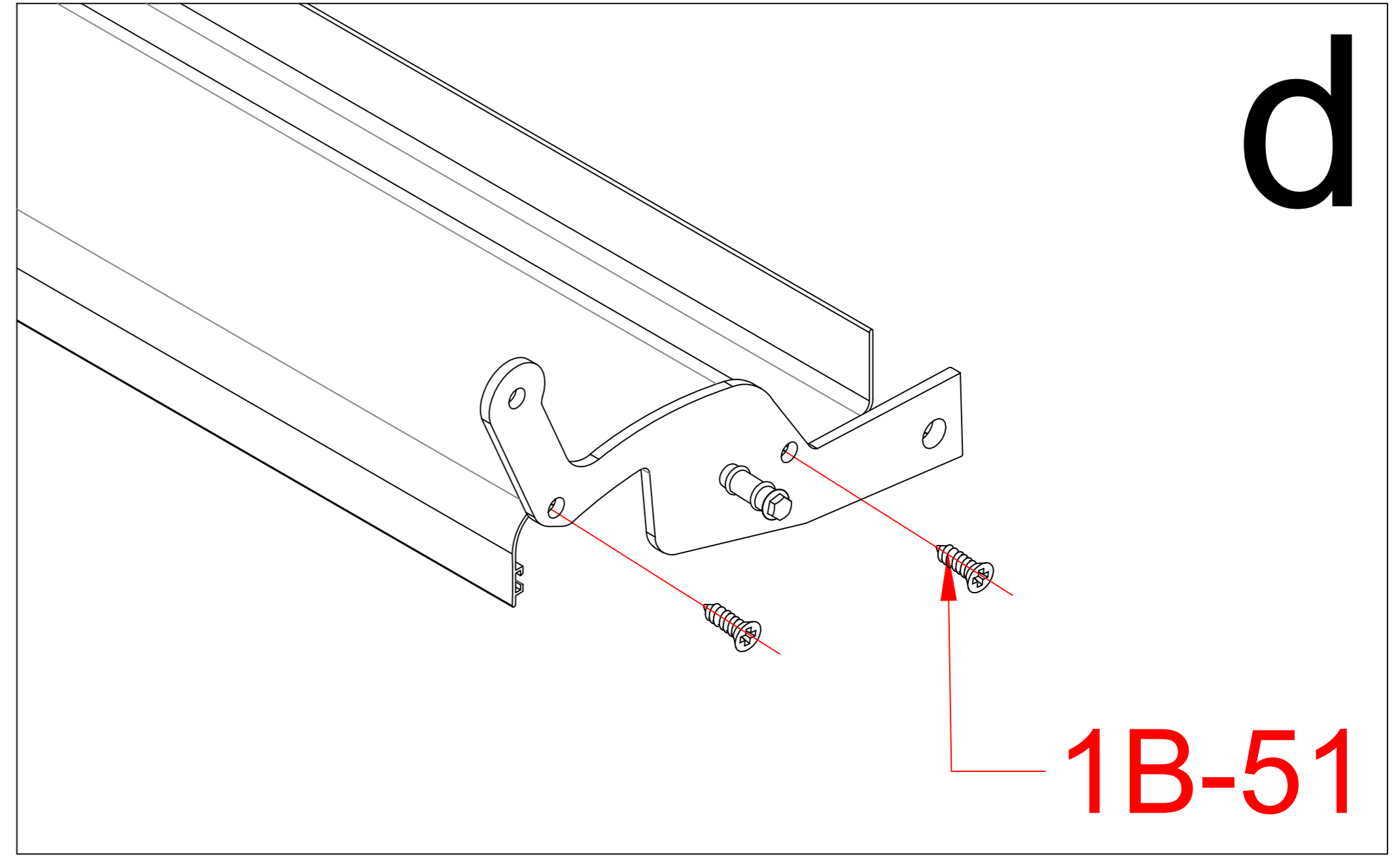
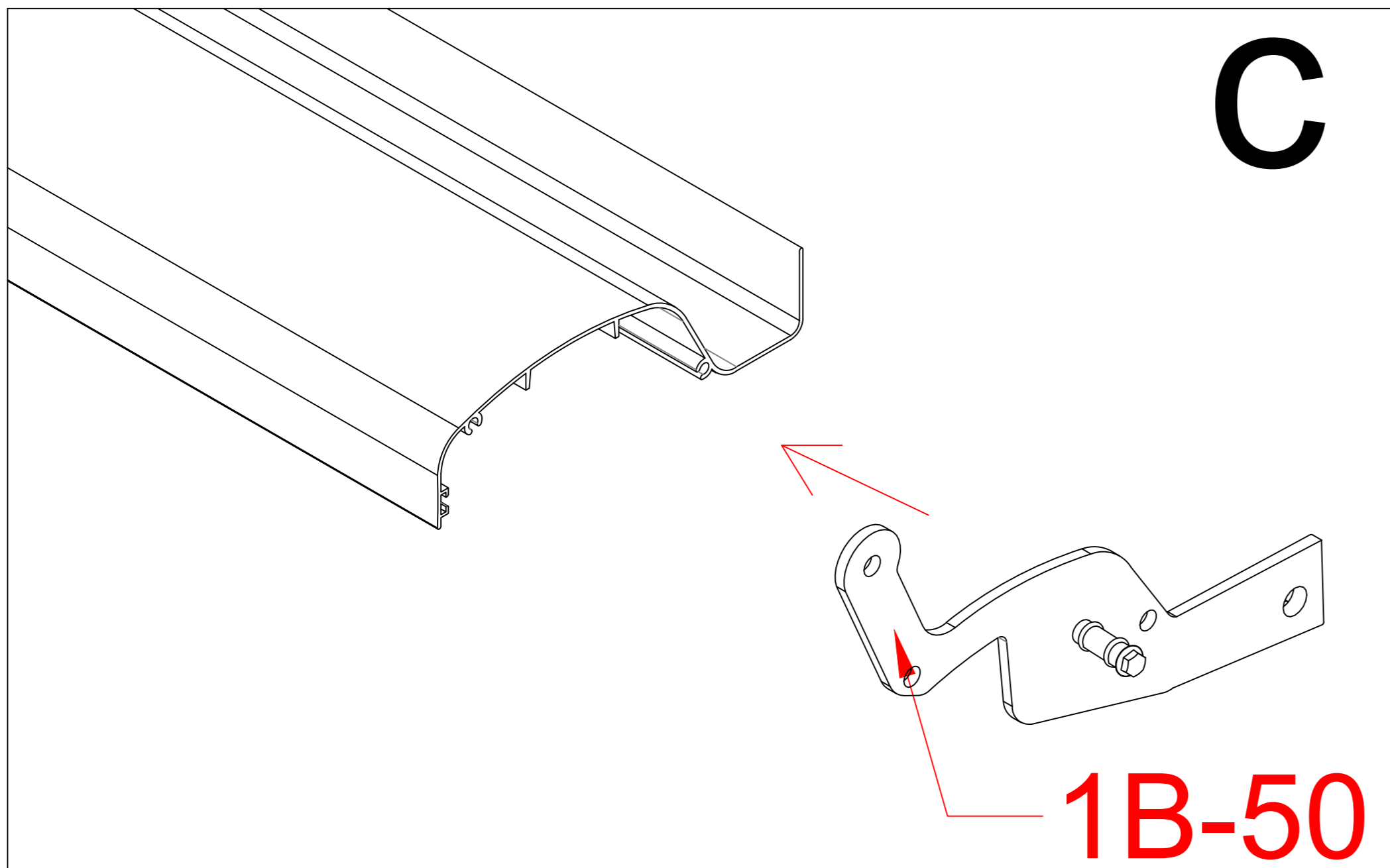
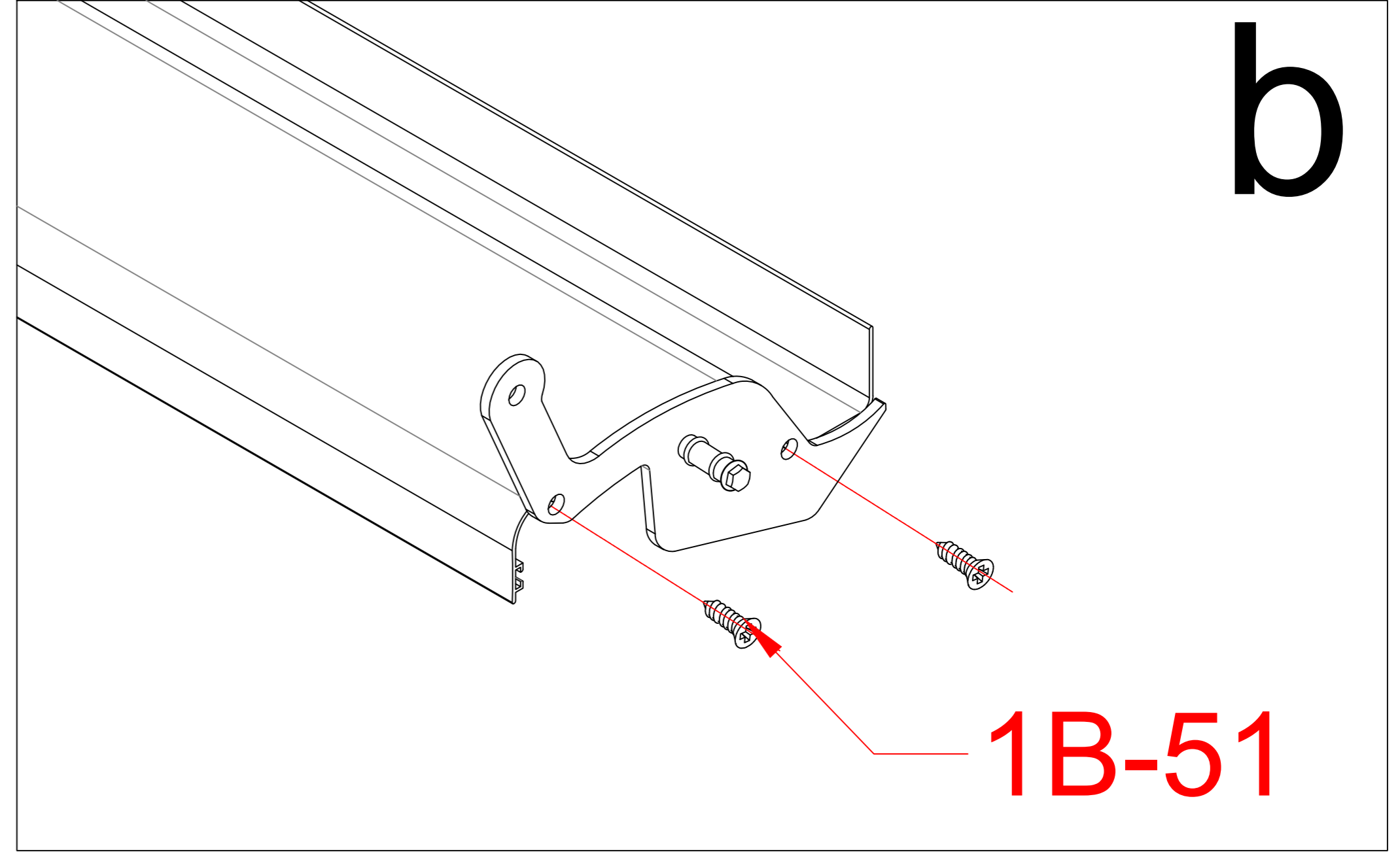
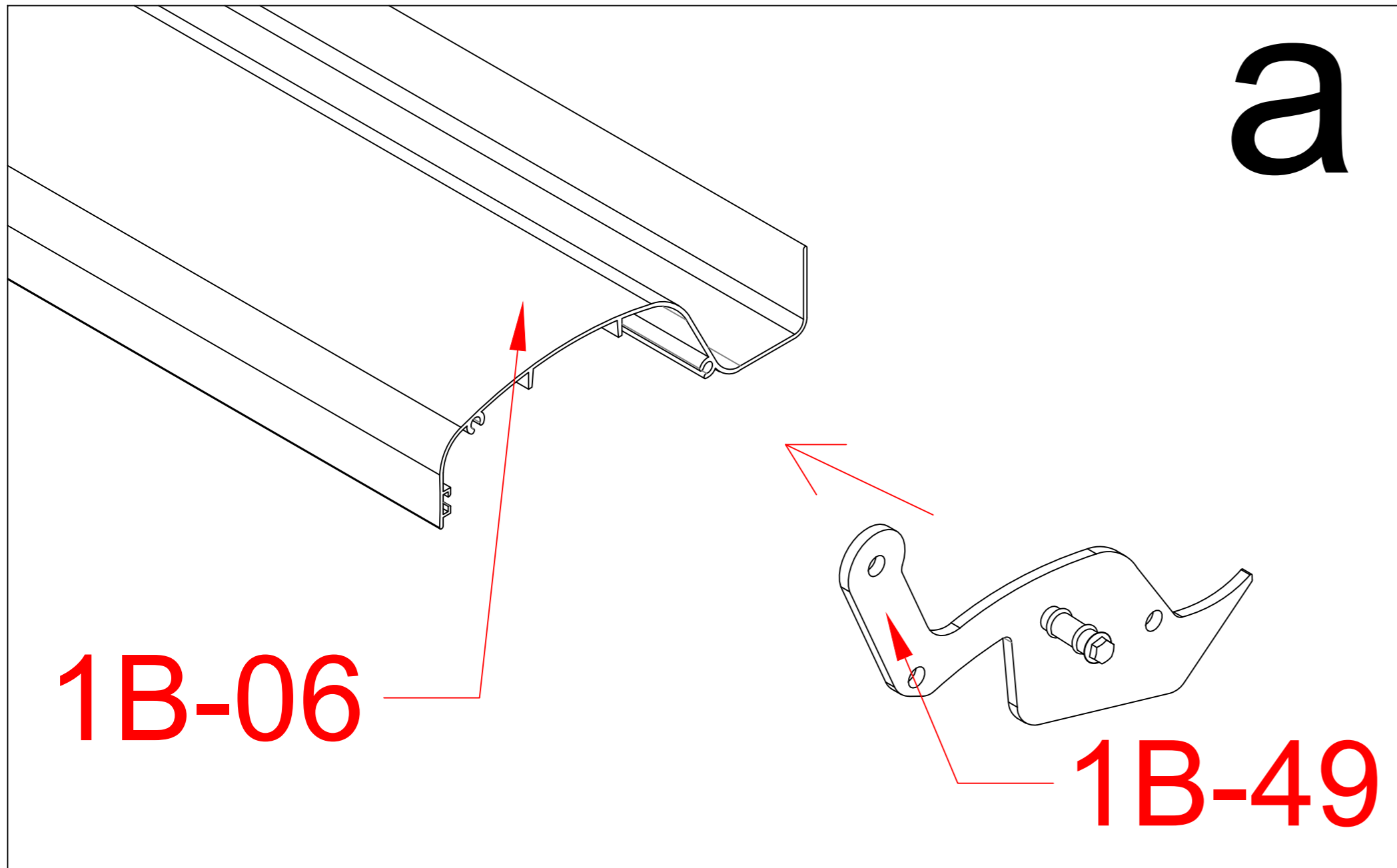


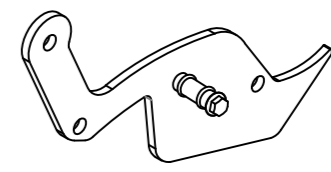
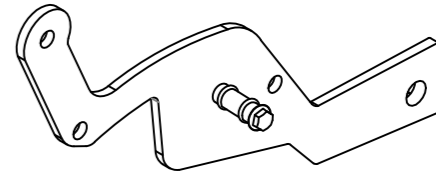
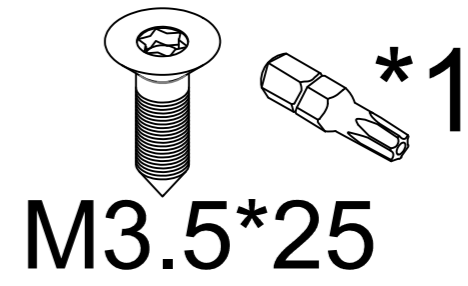
When installing the end cap for louvers, pls don't use the highest gear shift.

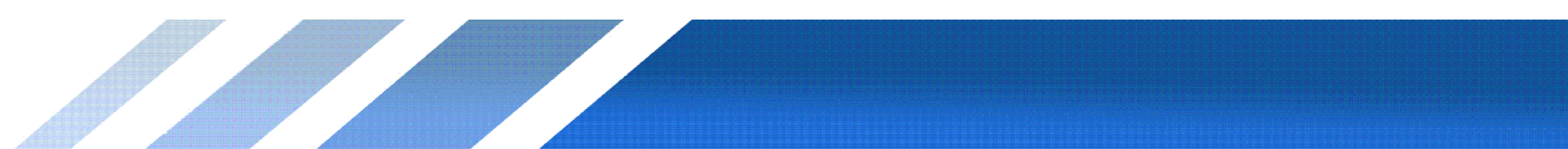


1B-51	 *1 M3.5*25	132
1B-06		65
1B-48B		1
1B-48		65



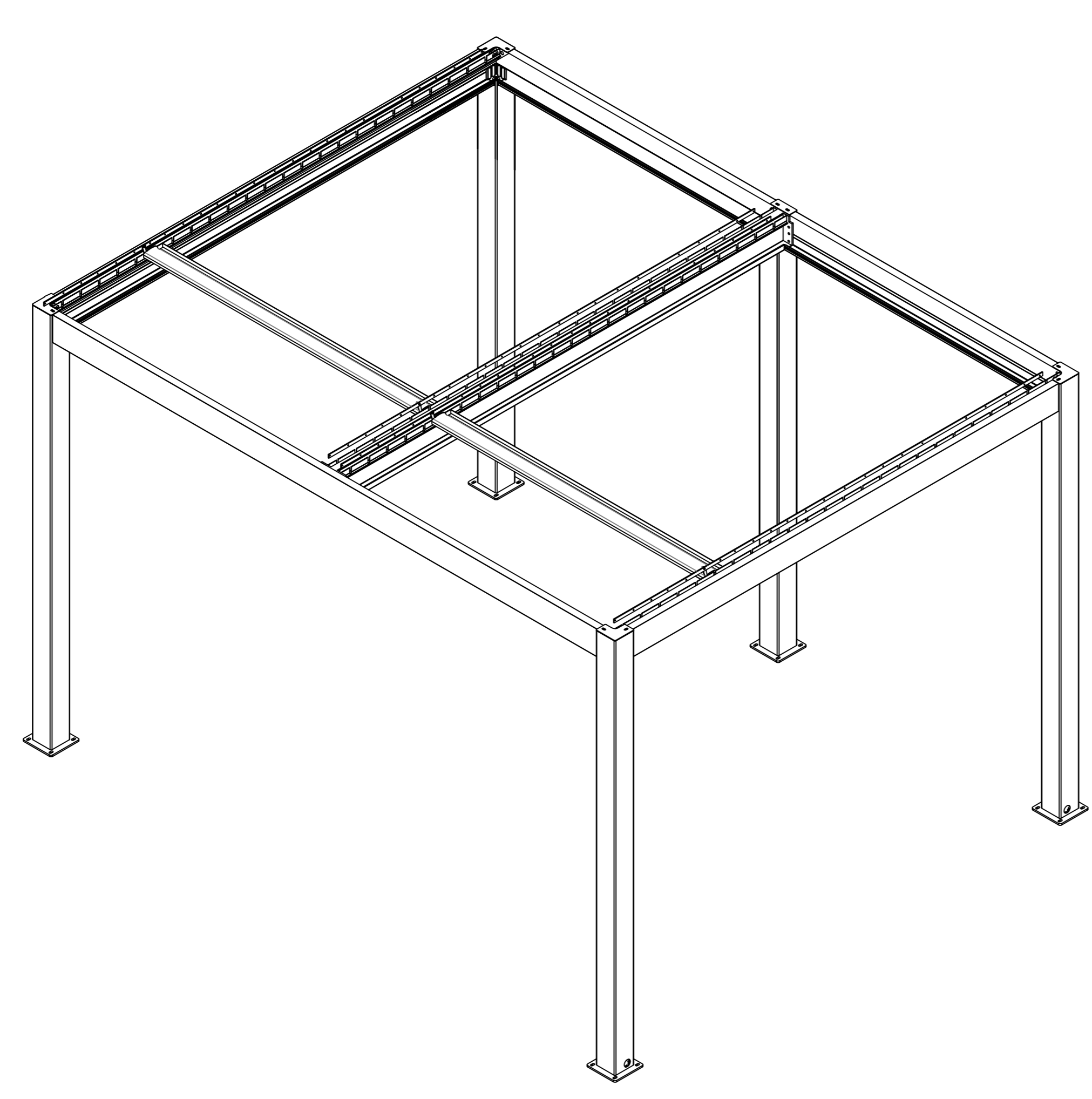
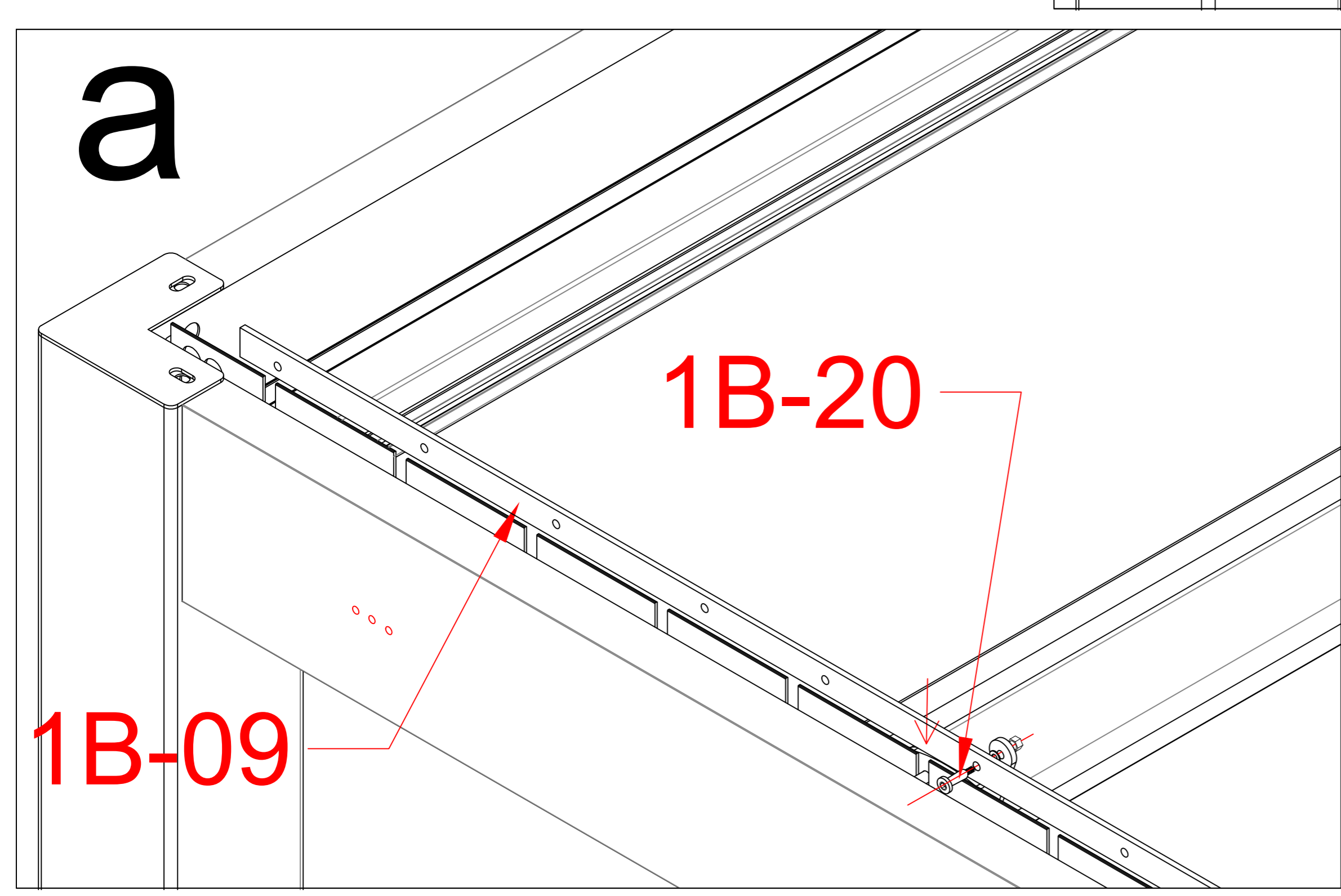
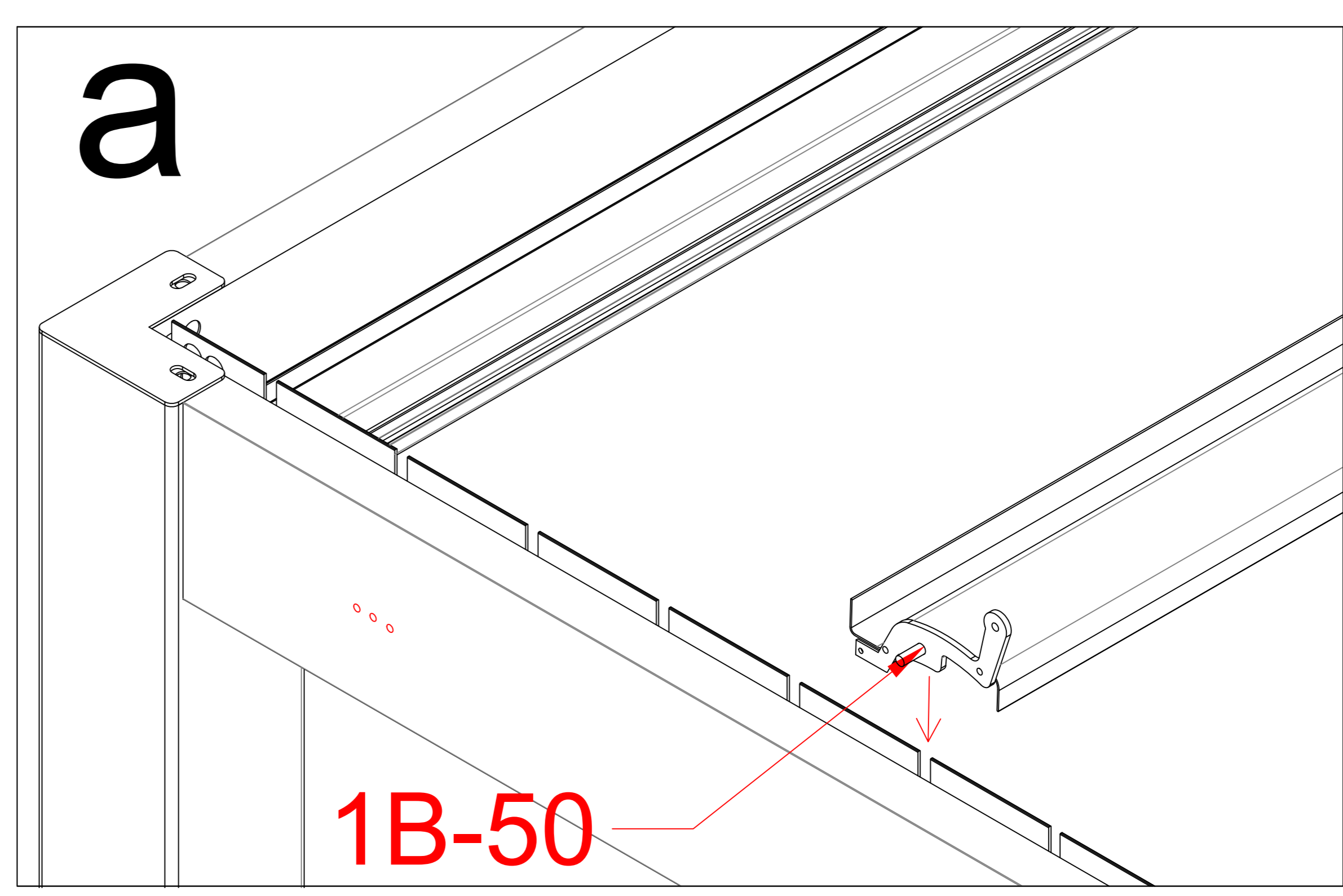


1B-49		65
1B-50		1
1B-51	 *1 M3.5*25	132

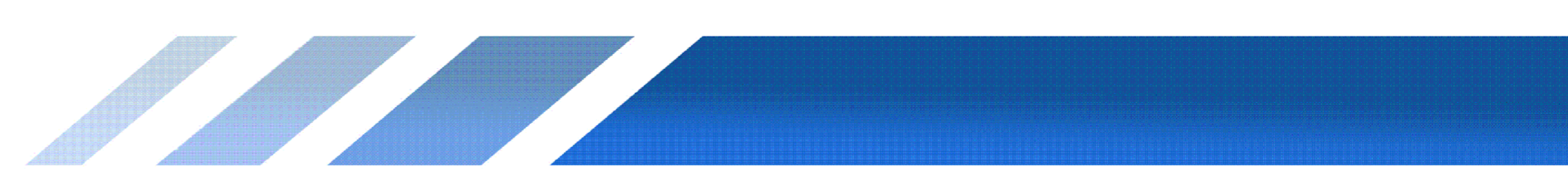


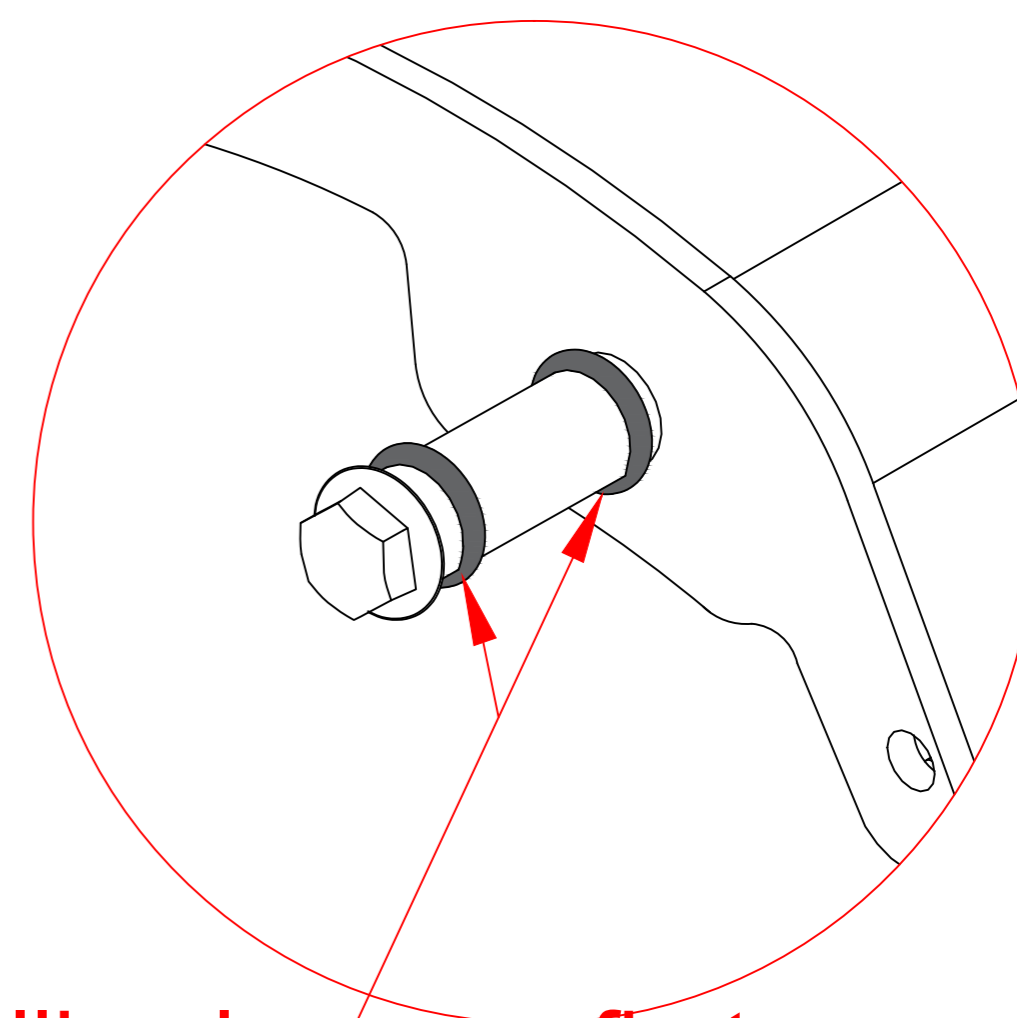
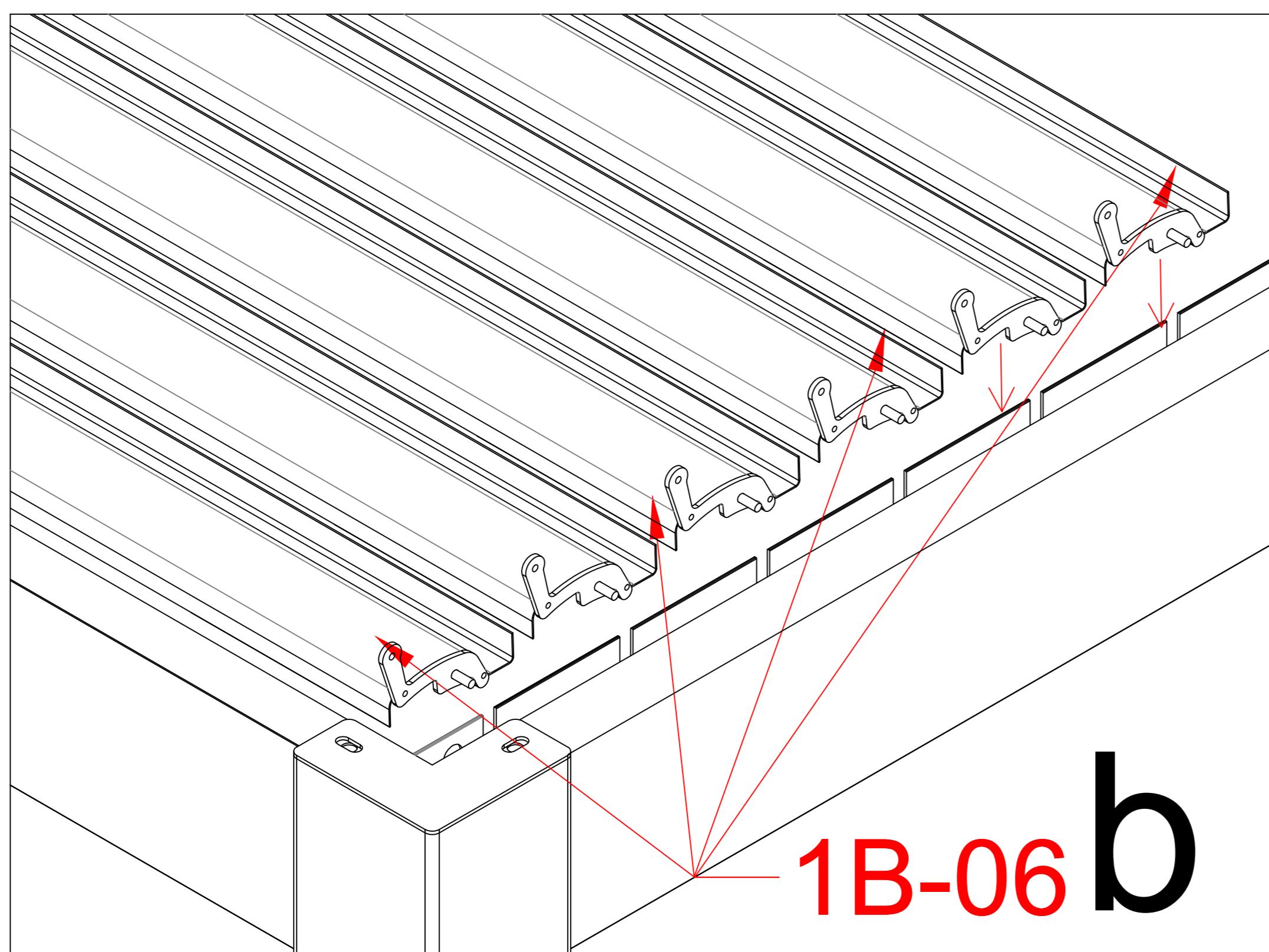


Warning:
Simultaneous
installation
of driving louvres on
both sides, and bolts
must be tightened.

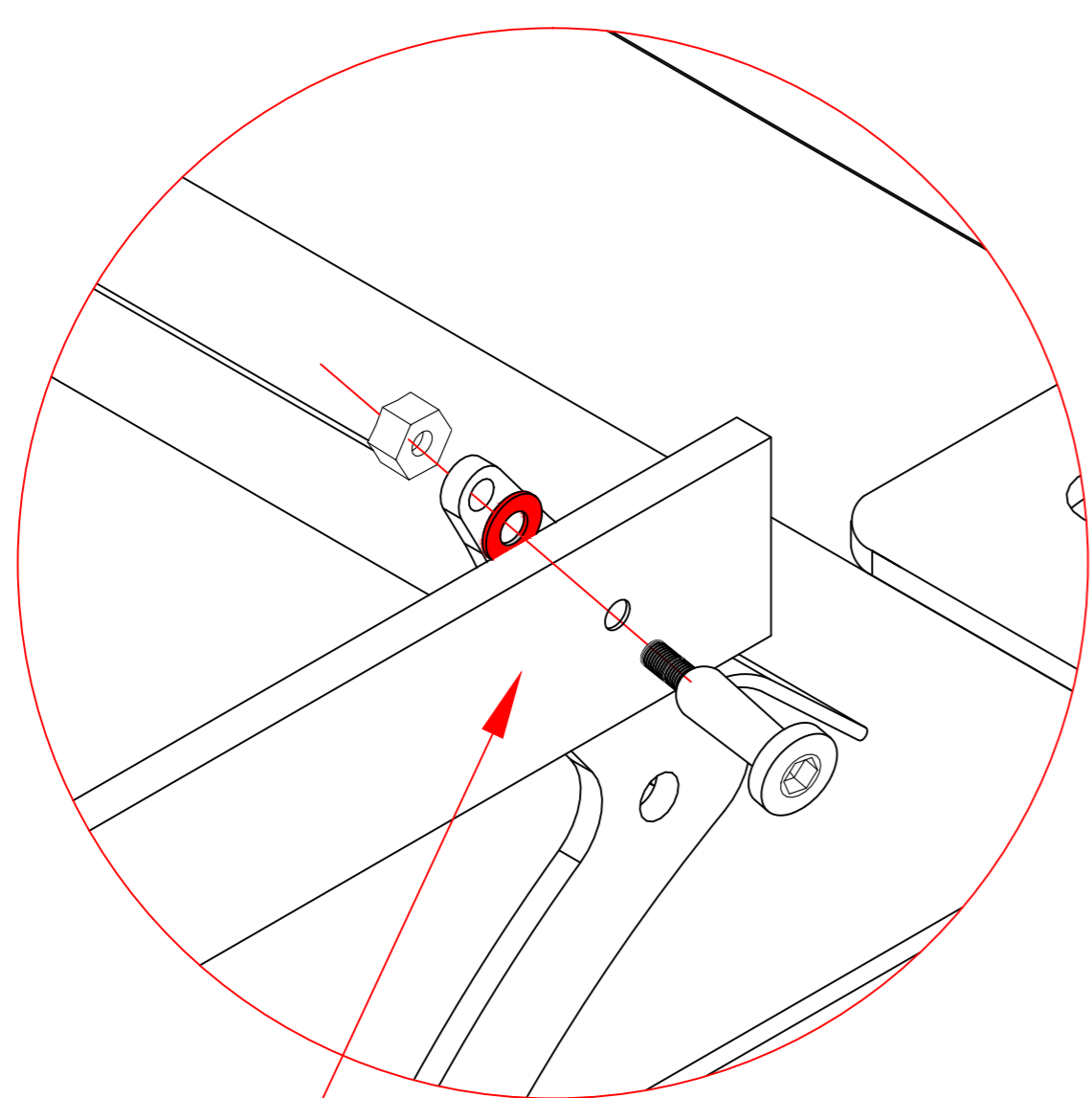


1B-09		4
1B-20		4
1B-06		2

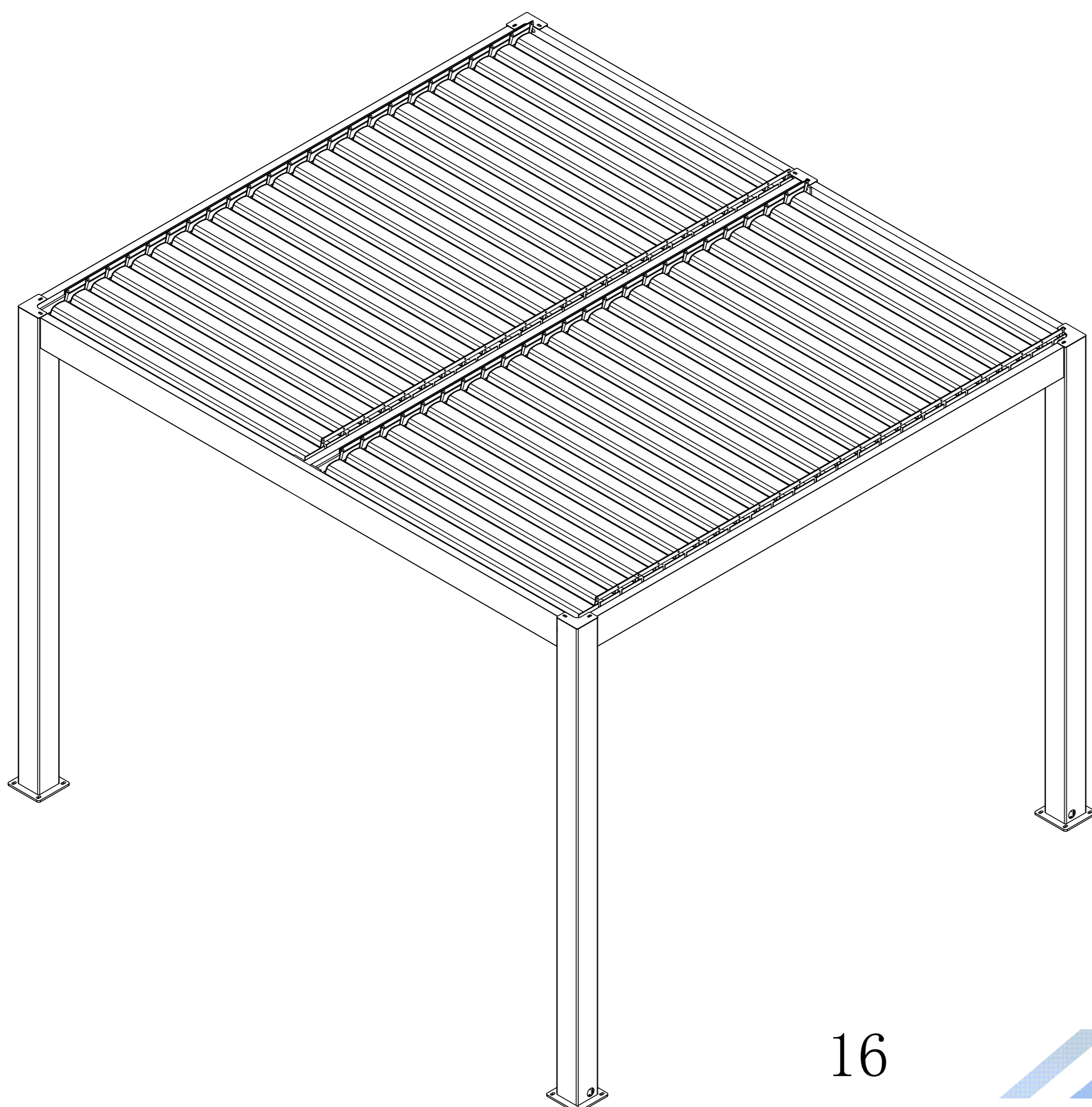
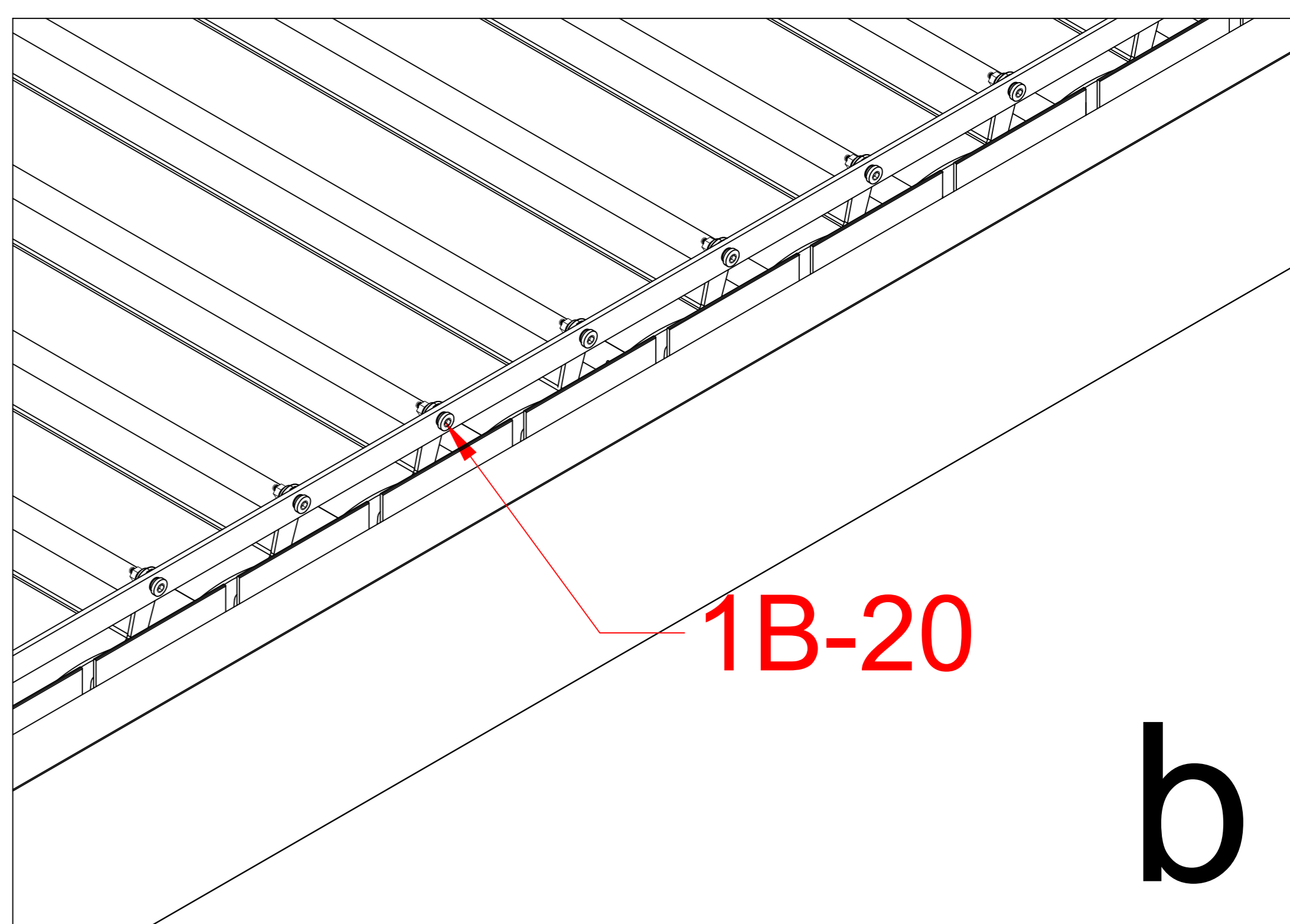




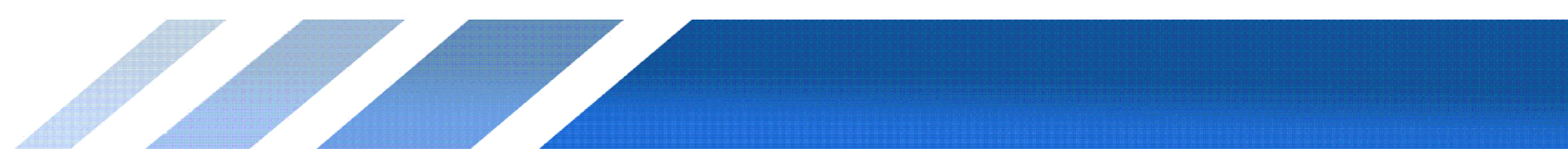
When installing louvers, first separate the two rubber gaskets and slide them to both ends of the circular shaft. Then, please ensure they are closed tightly before proceeding with the next steps of the installation.

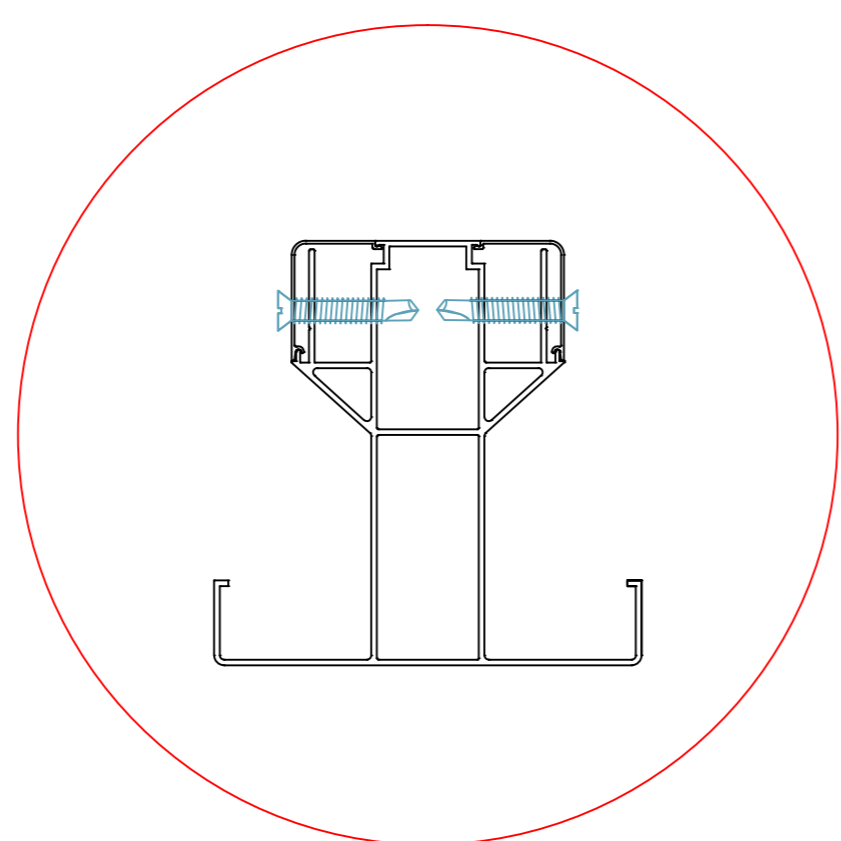
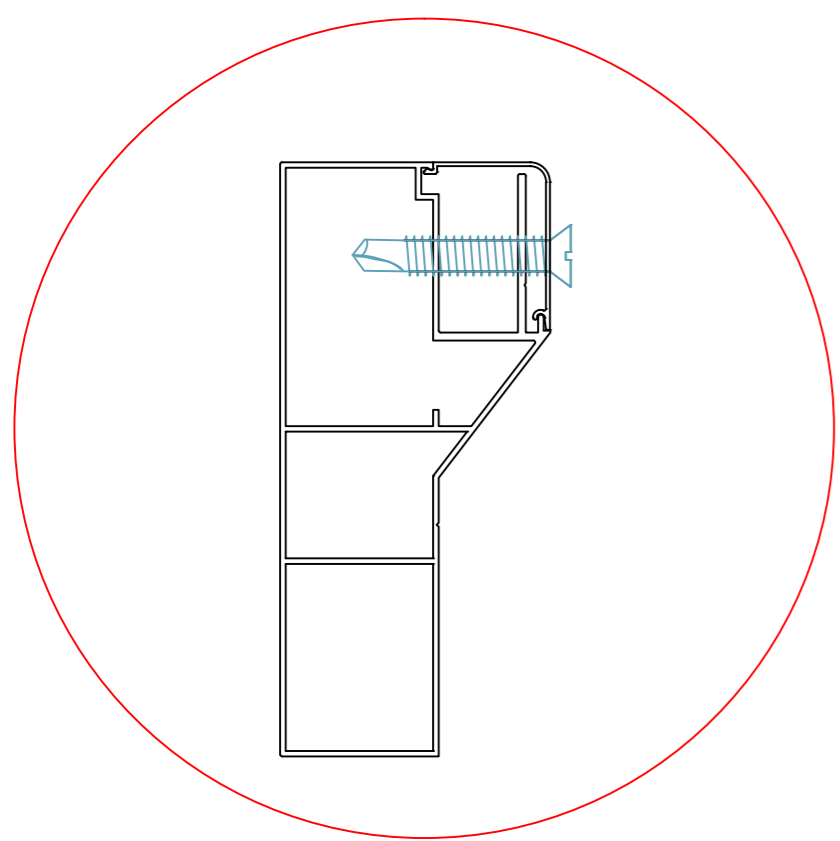


The driving bar shall be always outside of louver end caps. If inside, louvers could not be opened 100%

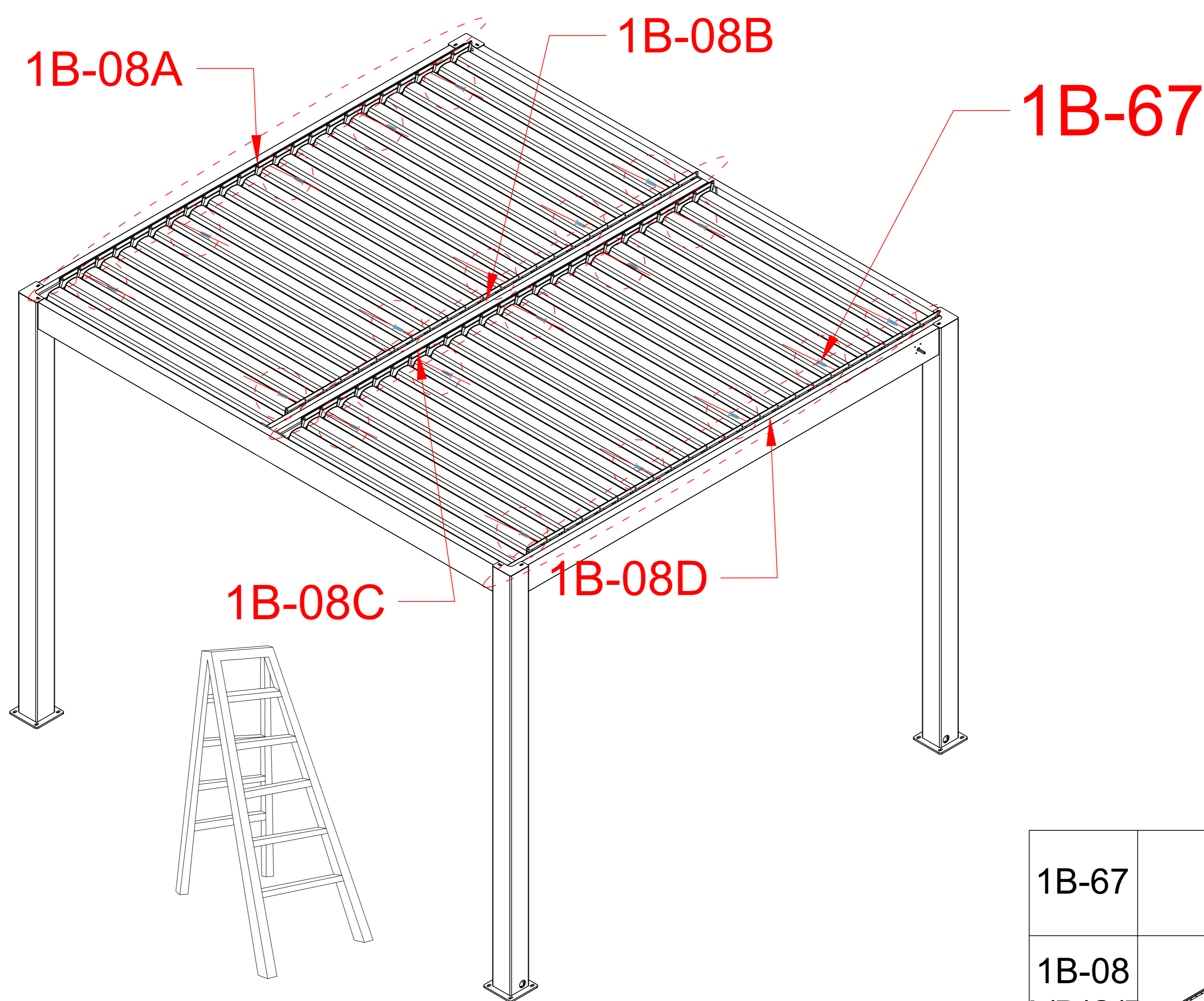
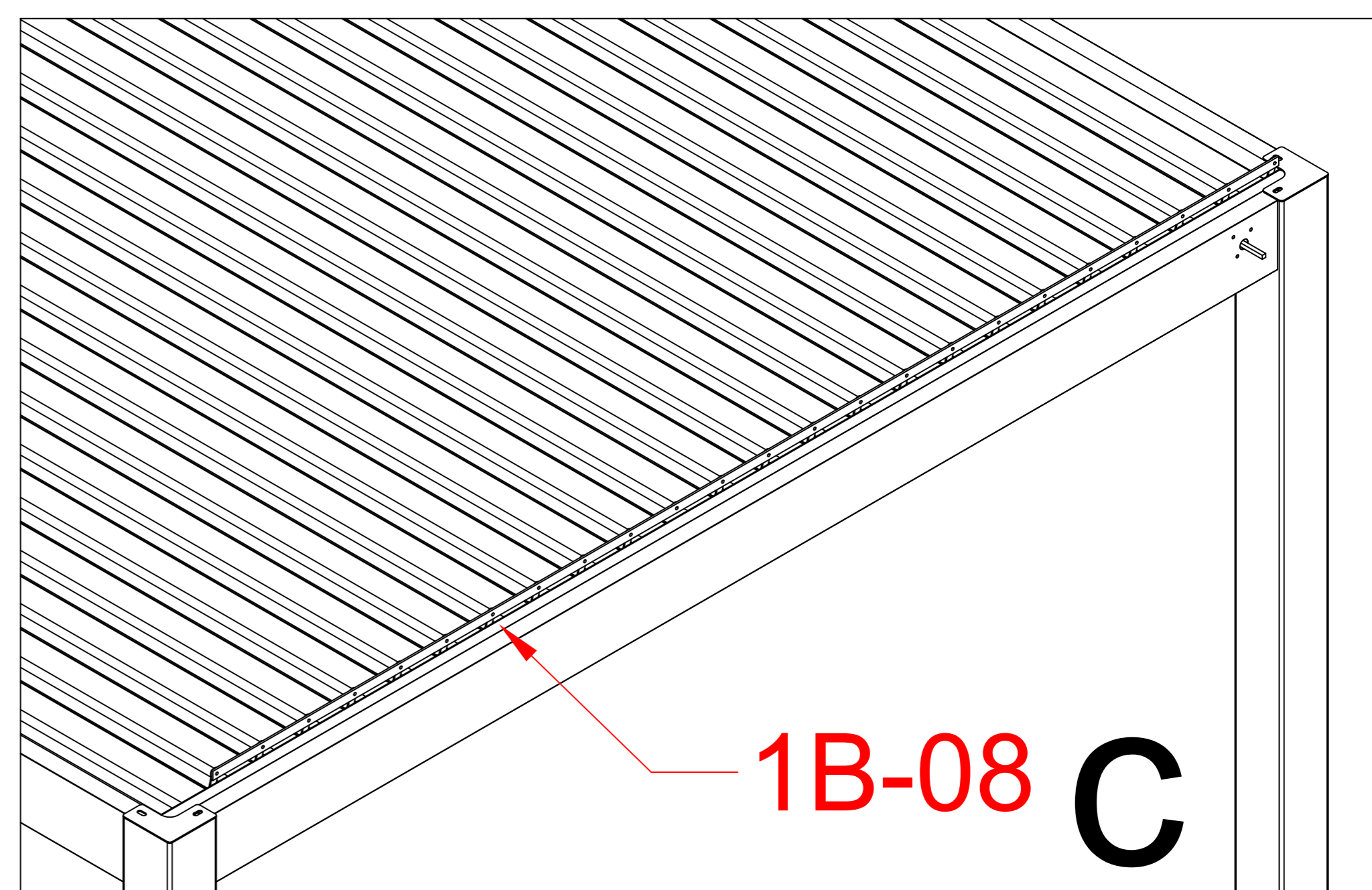
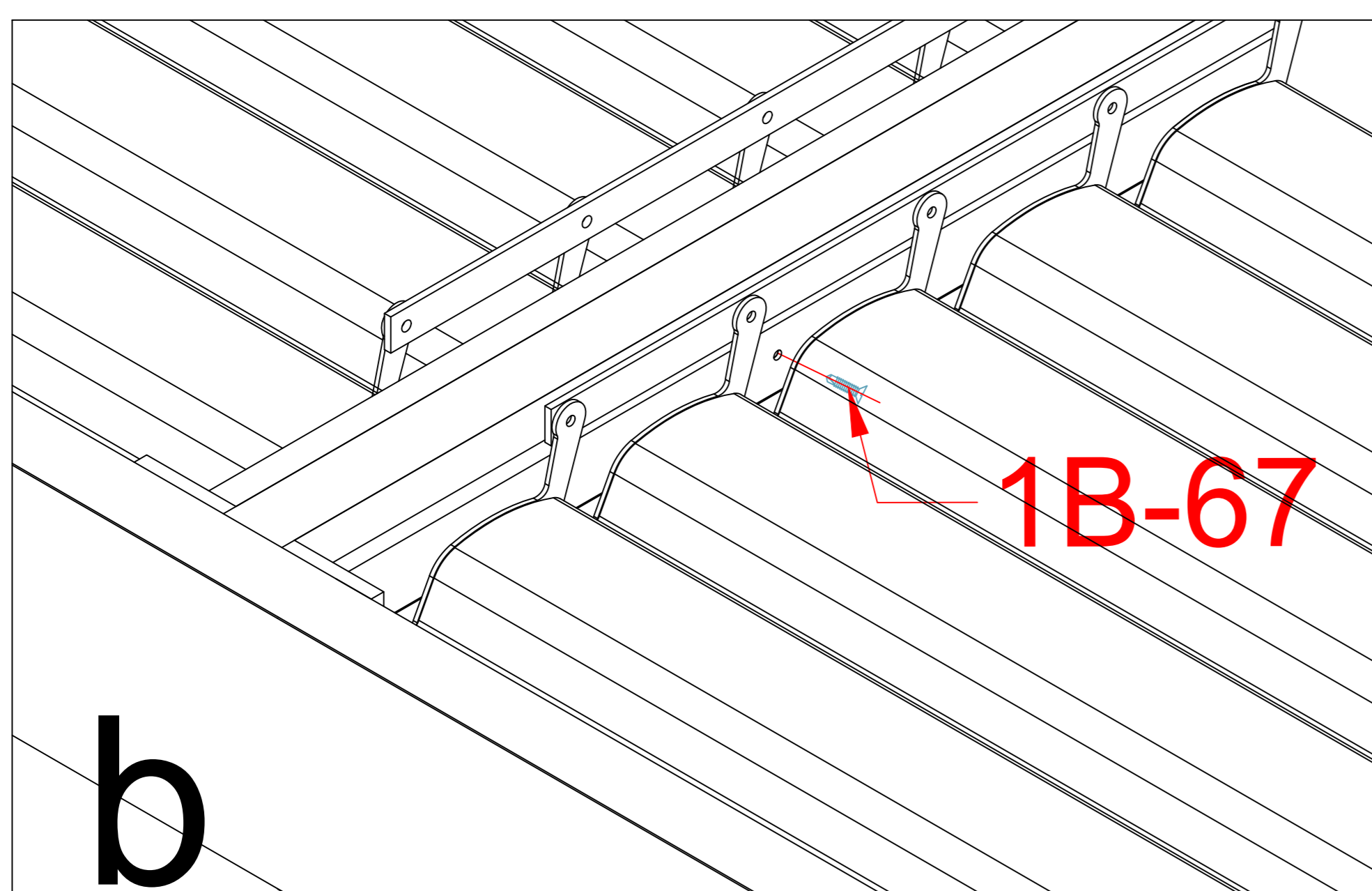
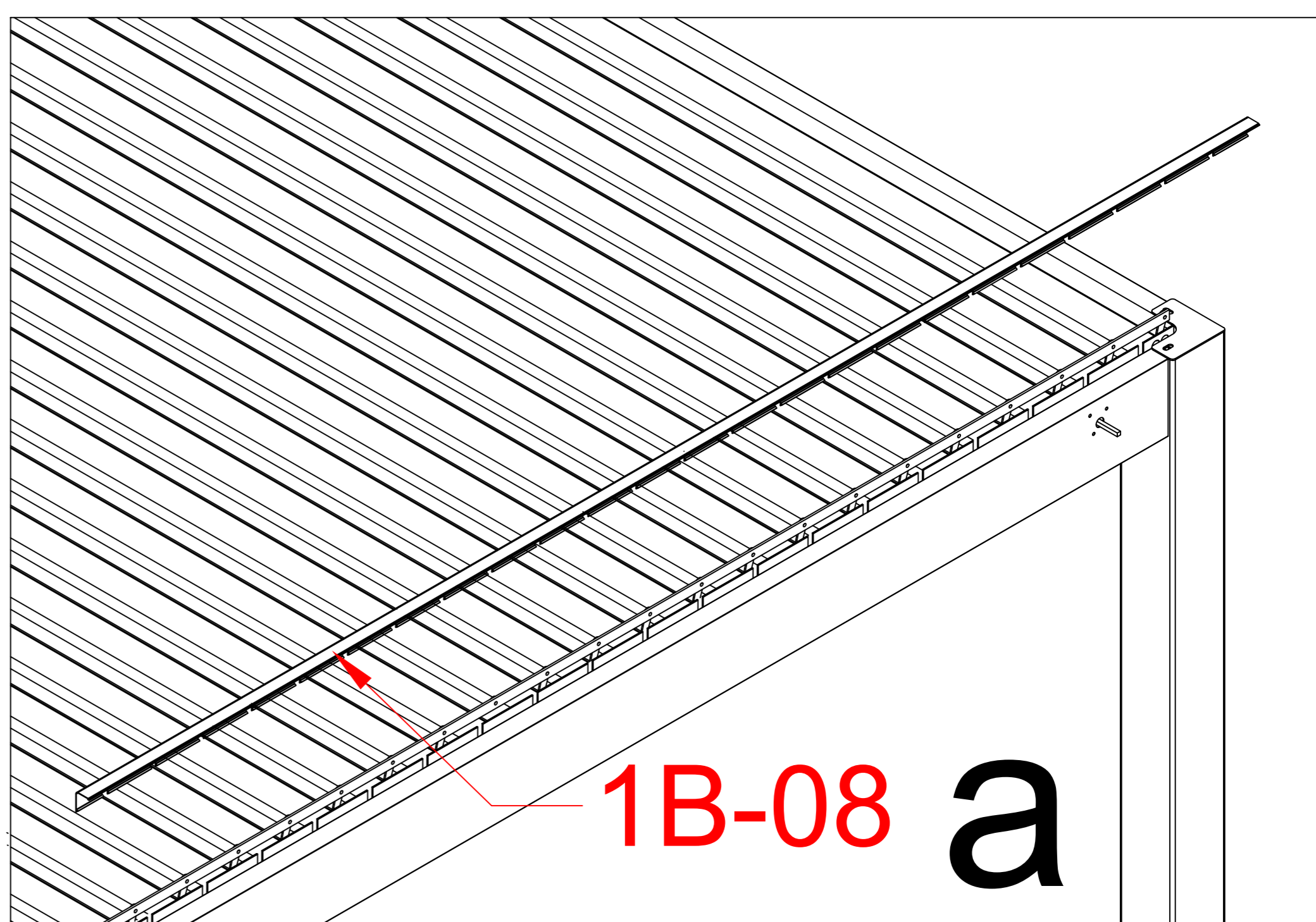


1B-20		128
1B-06		64

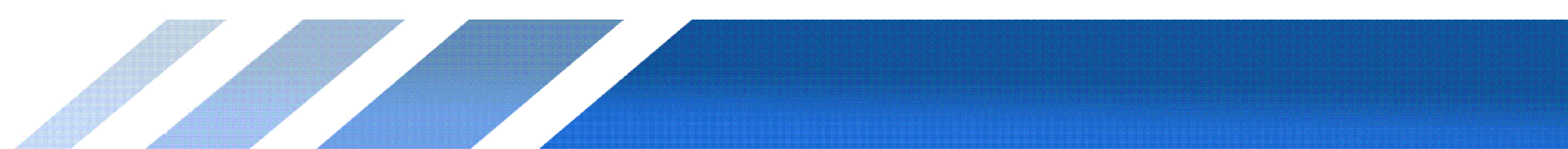


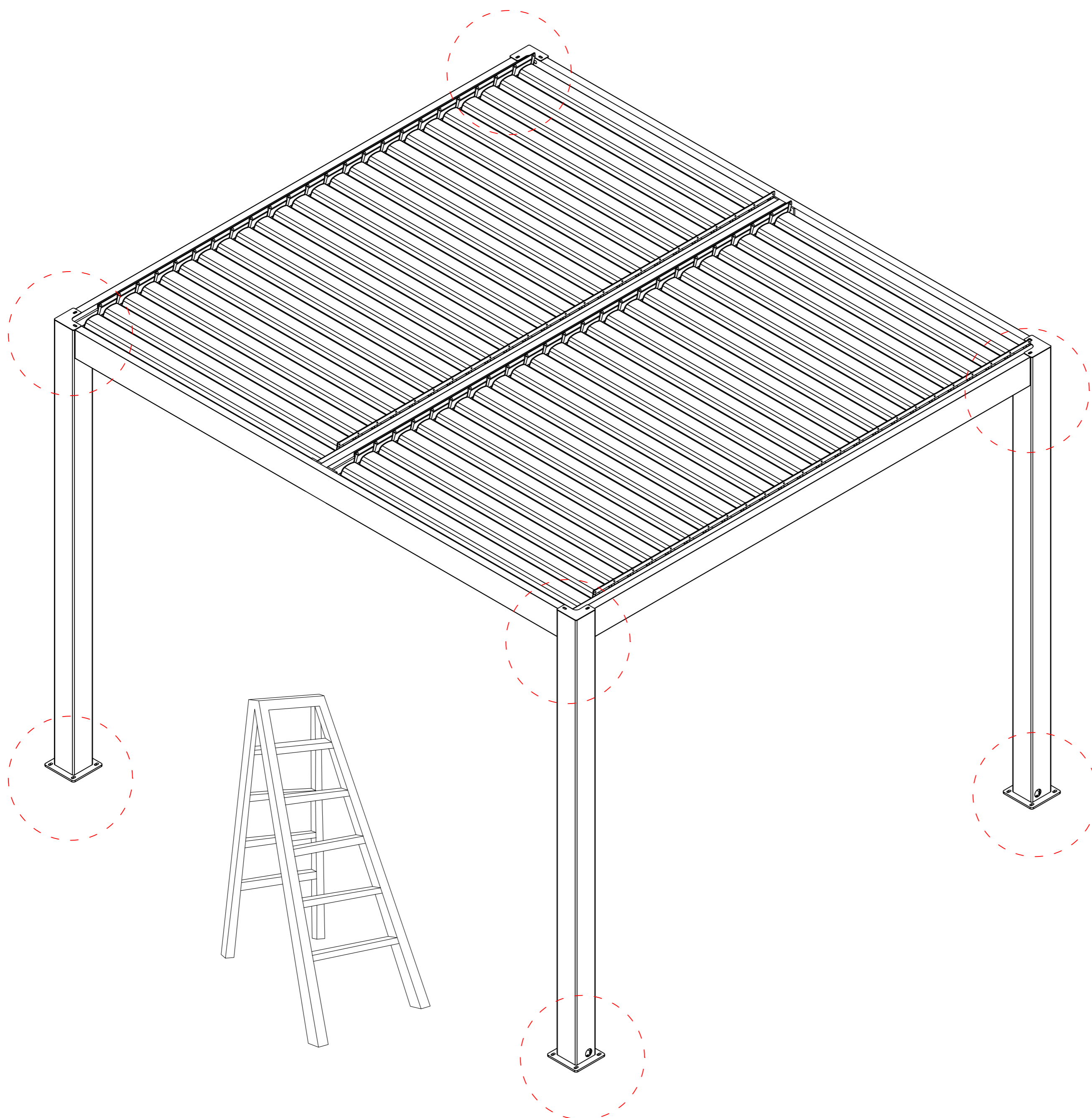
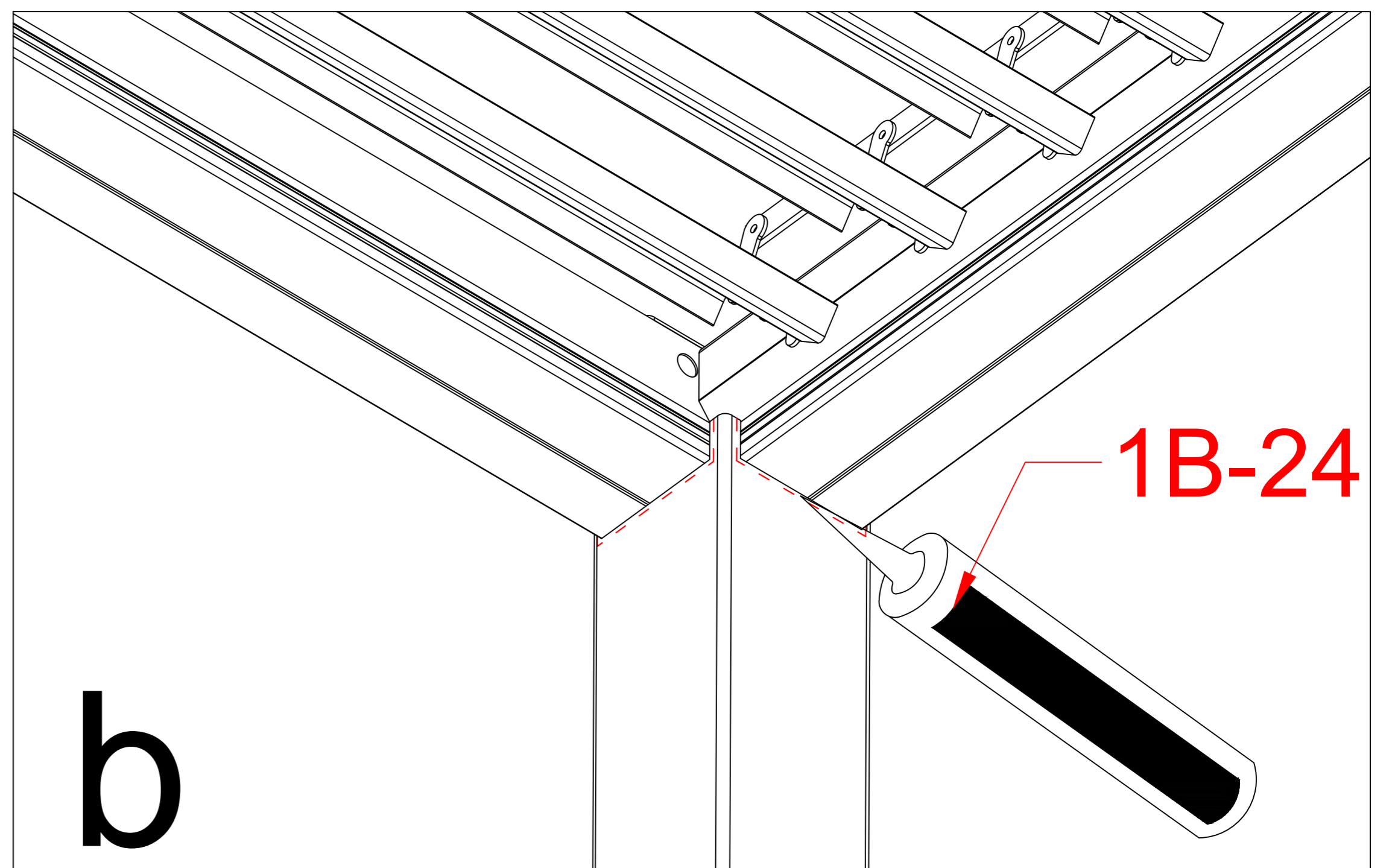
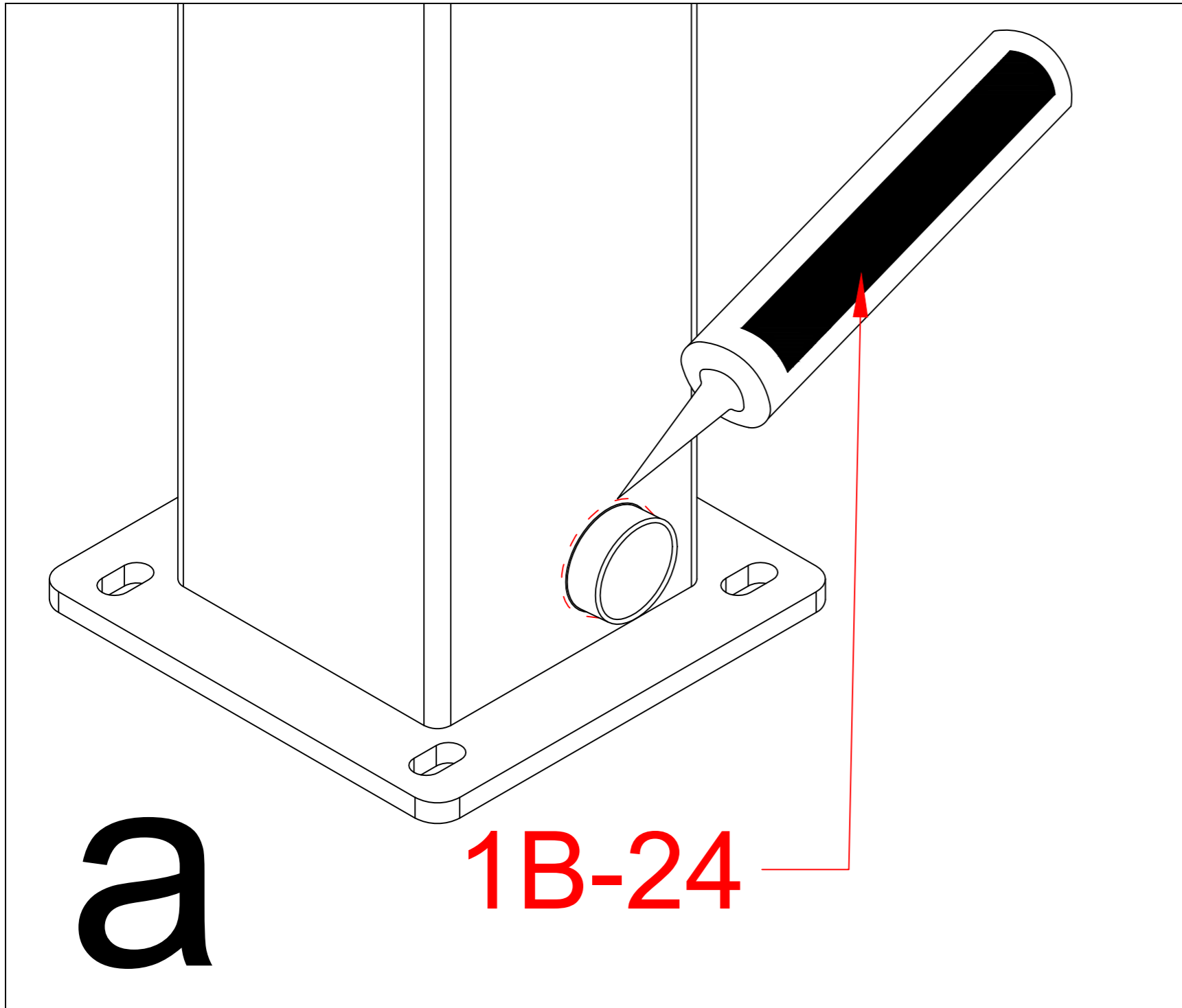


warning:
Here the screw must be hit,
do not miss

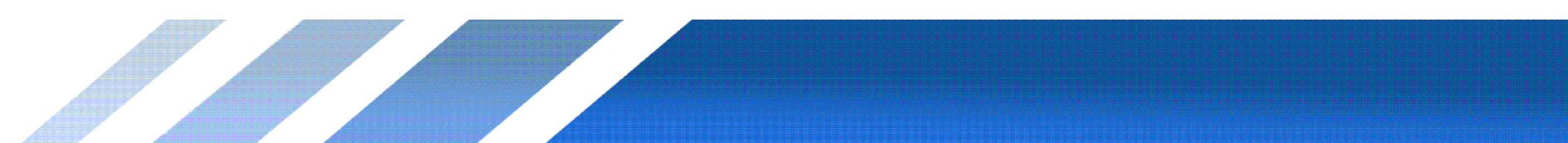


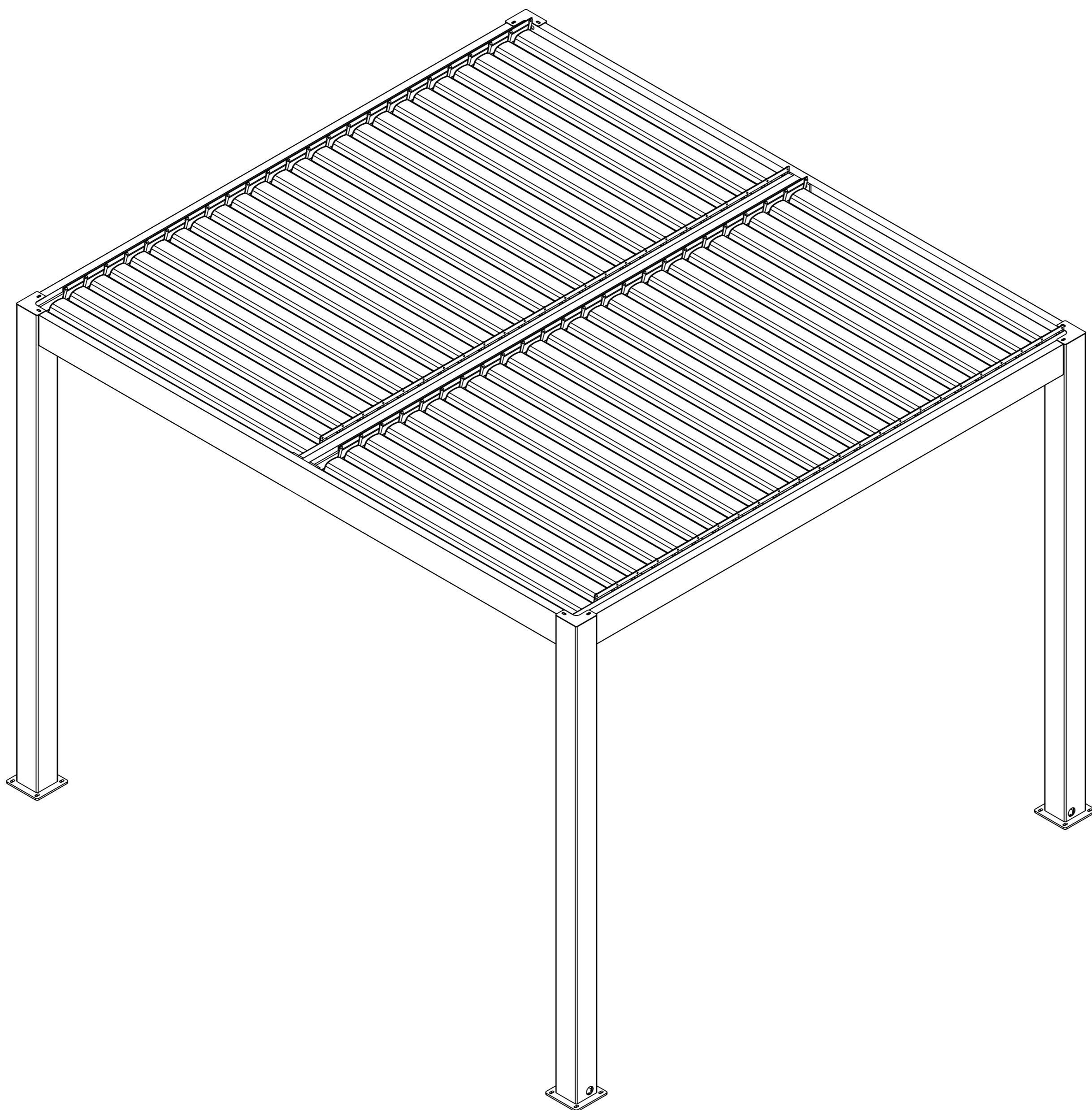
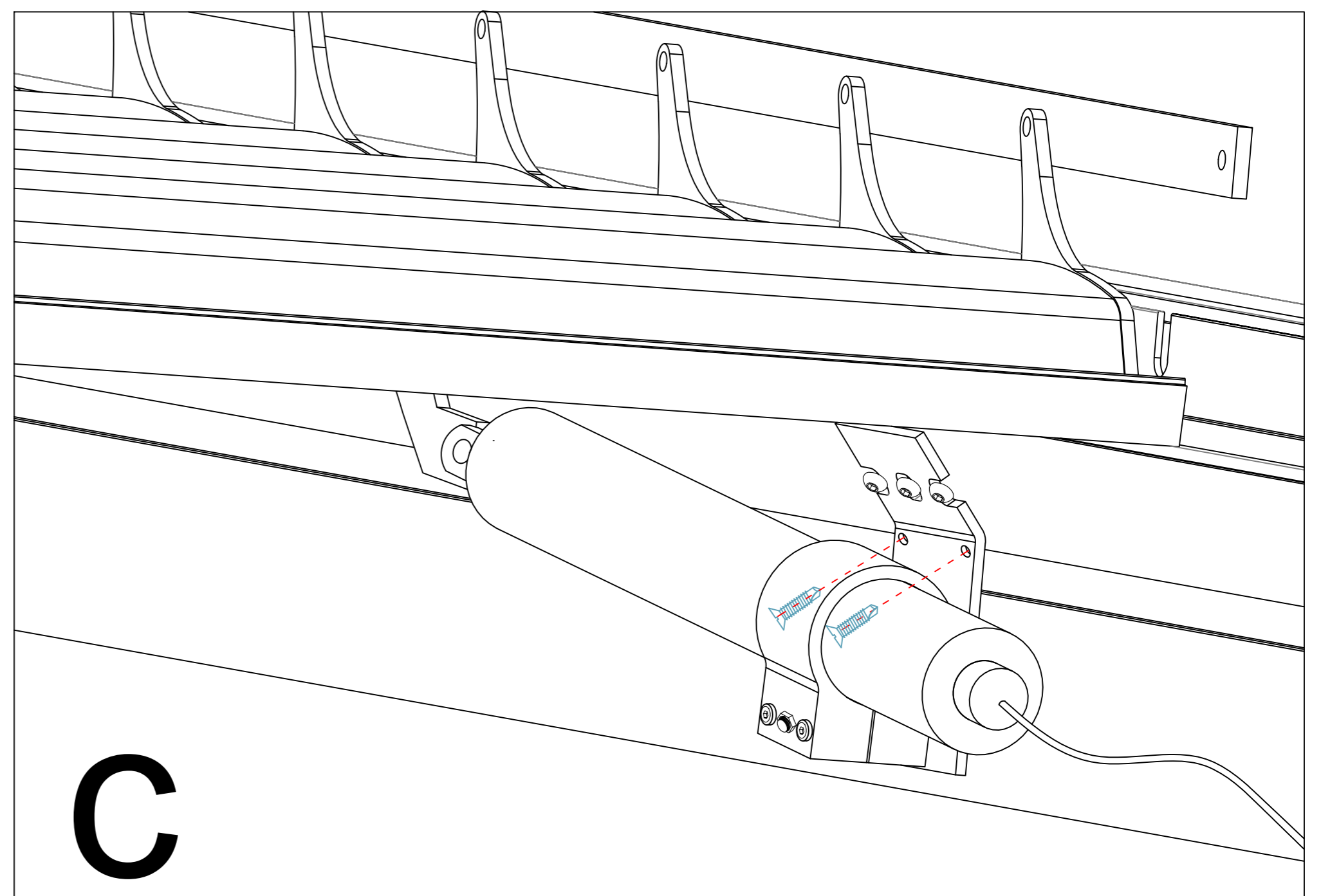
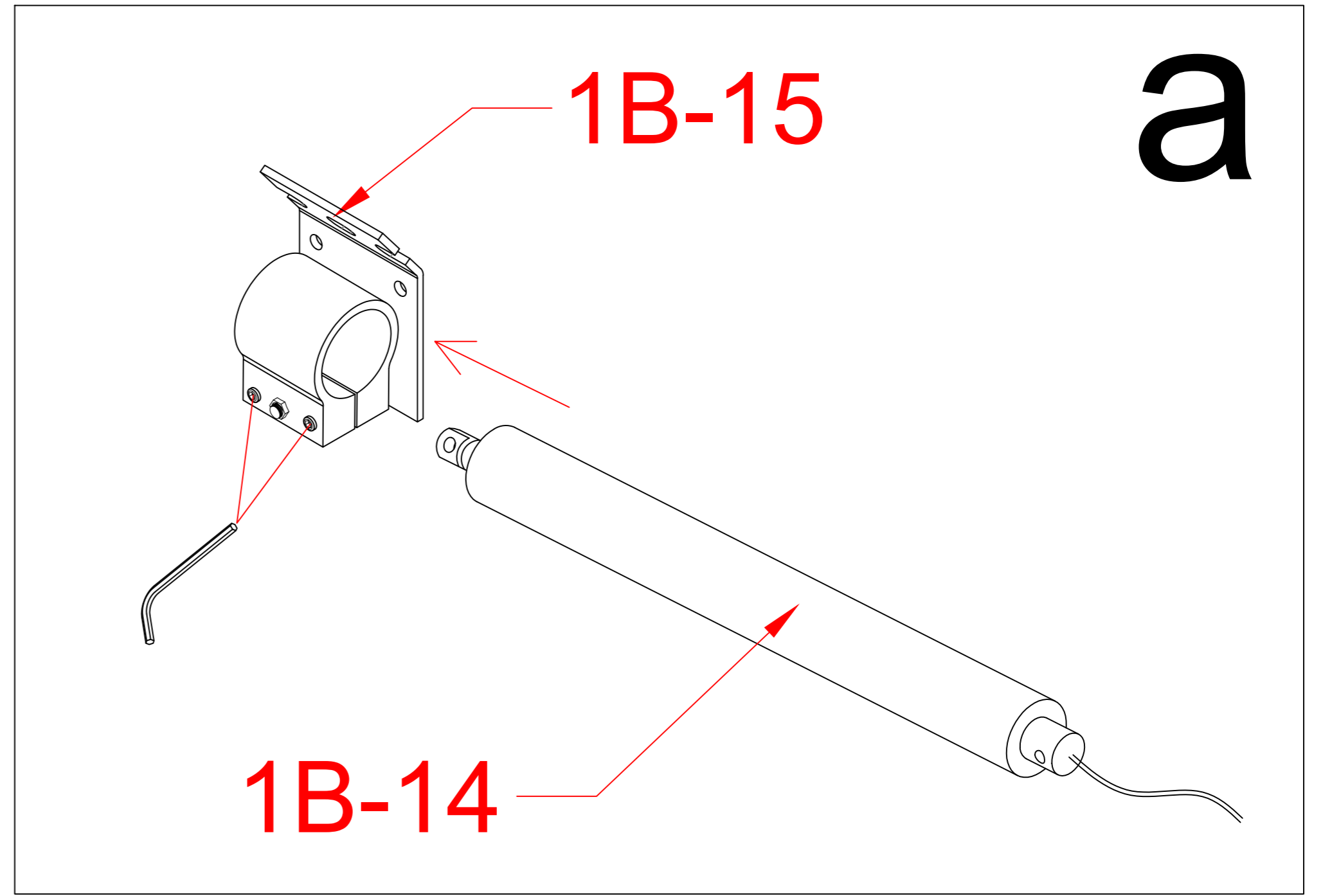
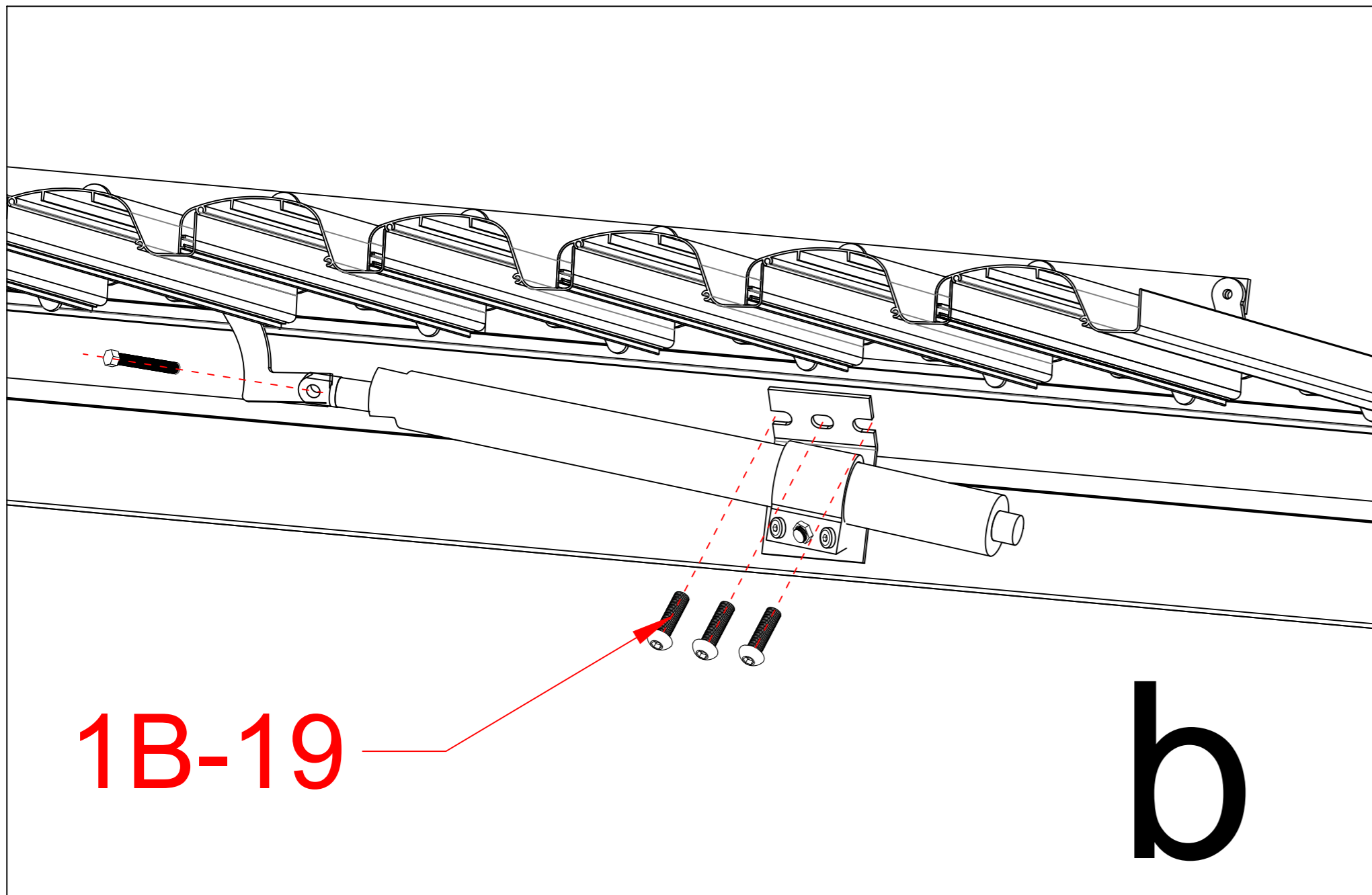
1B-67		28
1B-08 A/B/C/D		4

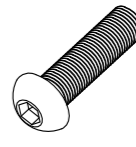
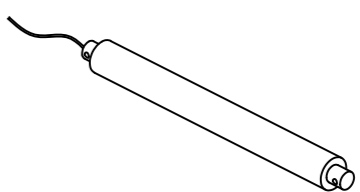
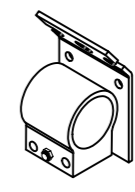




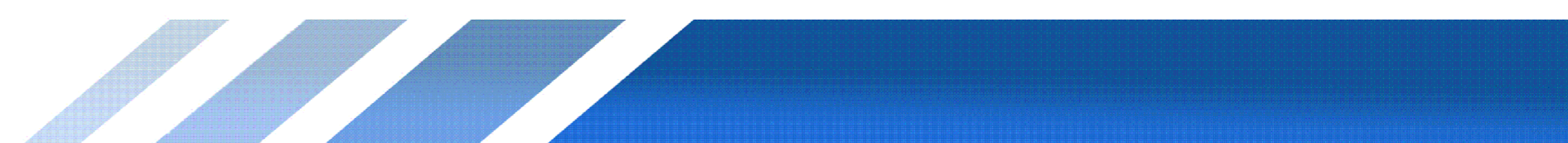


1B-24		1
-------	--	---



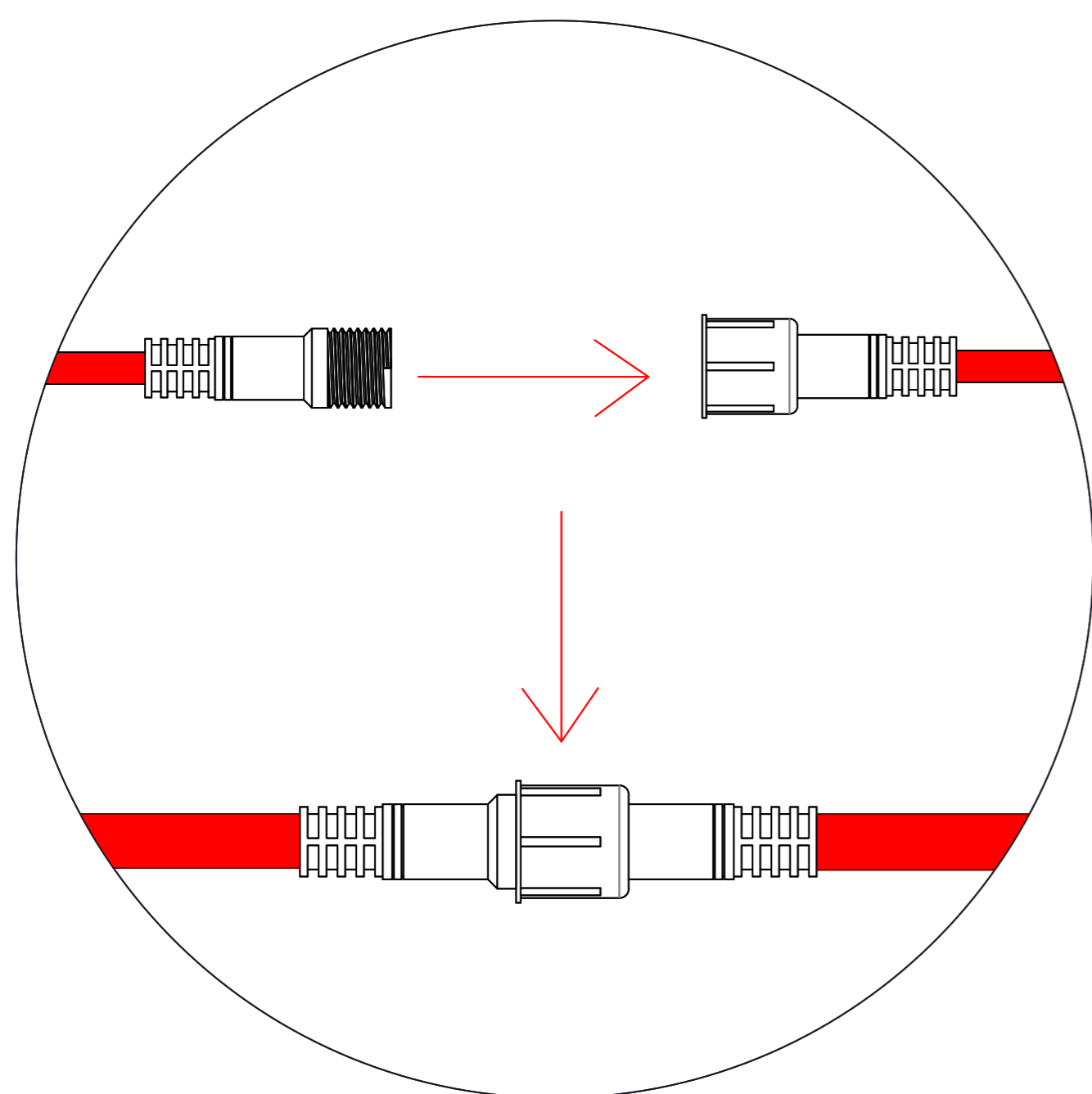
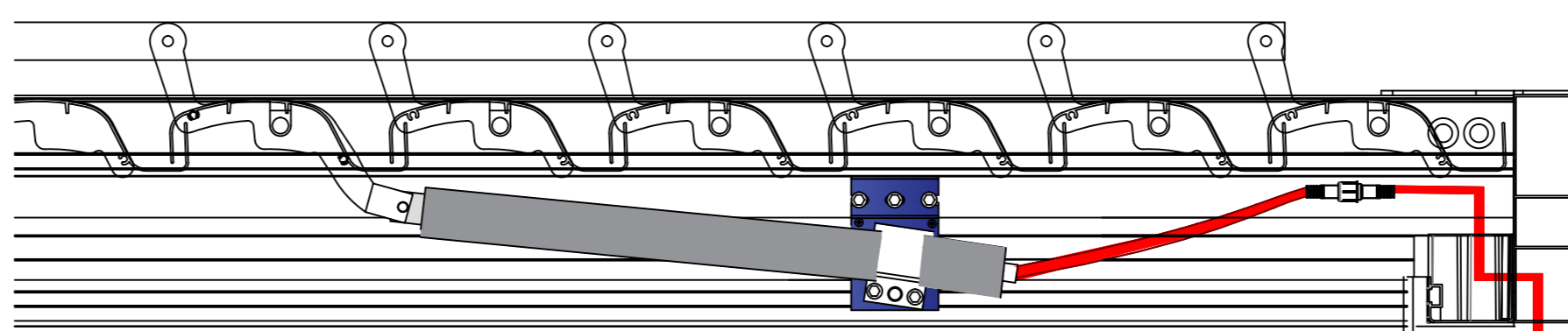


1B-19		6
1B-14		2
1B-15	  	2





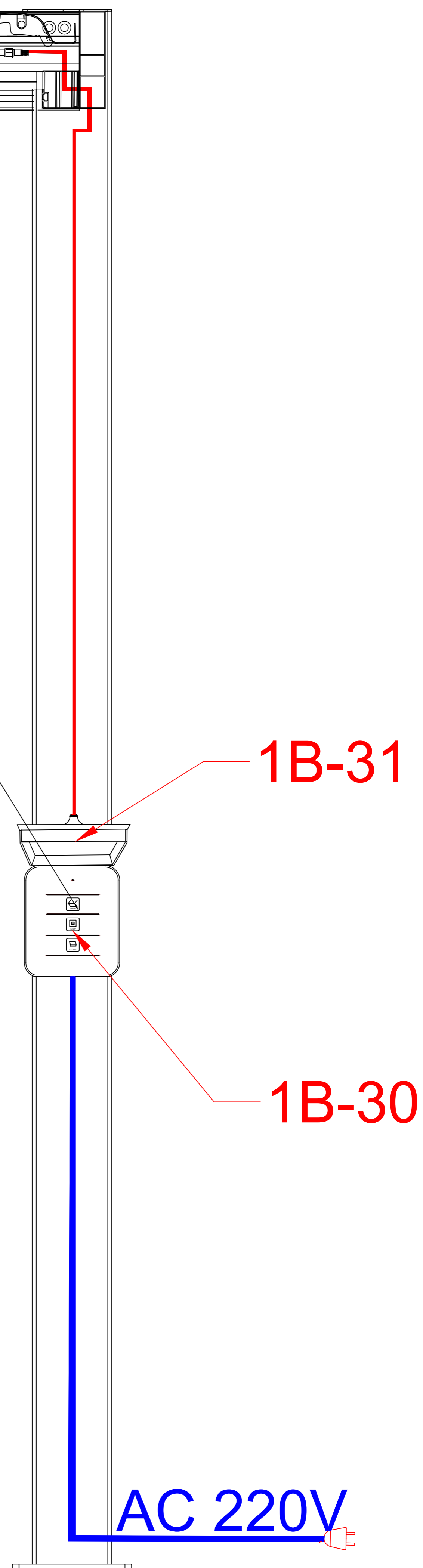
The control box is on the post



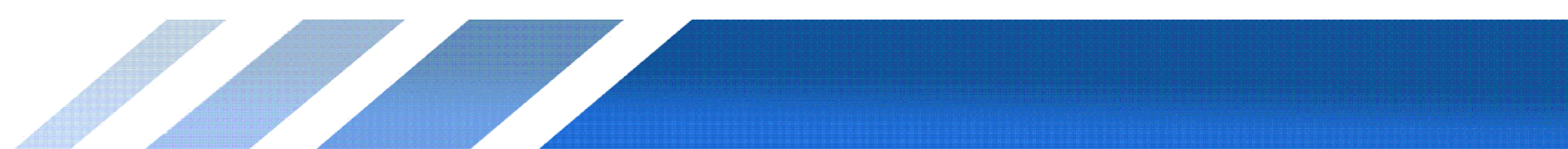
Motor controller

Wires Diagram

Power in: 220V
Power Out To
Motor: DC24V

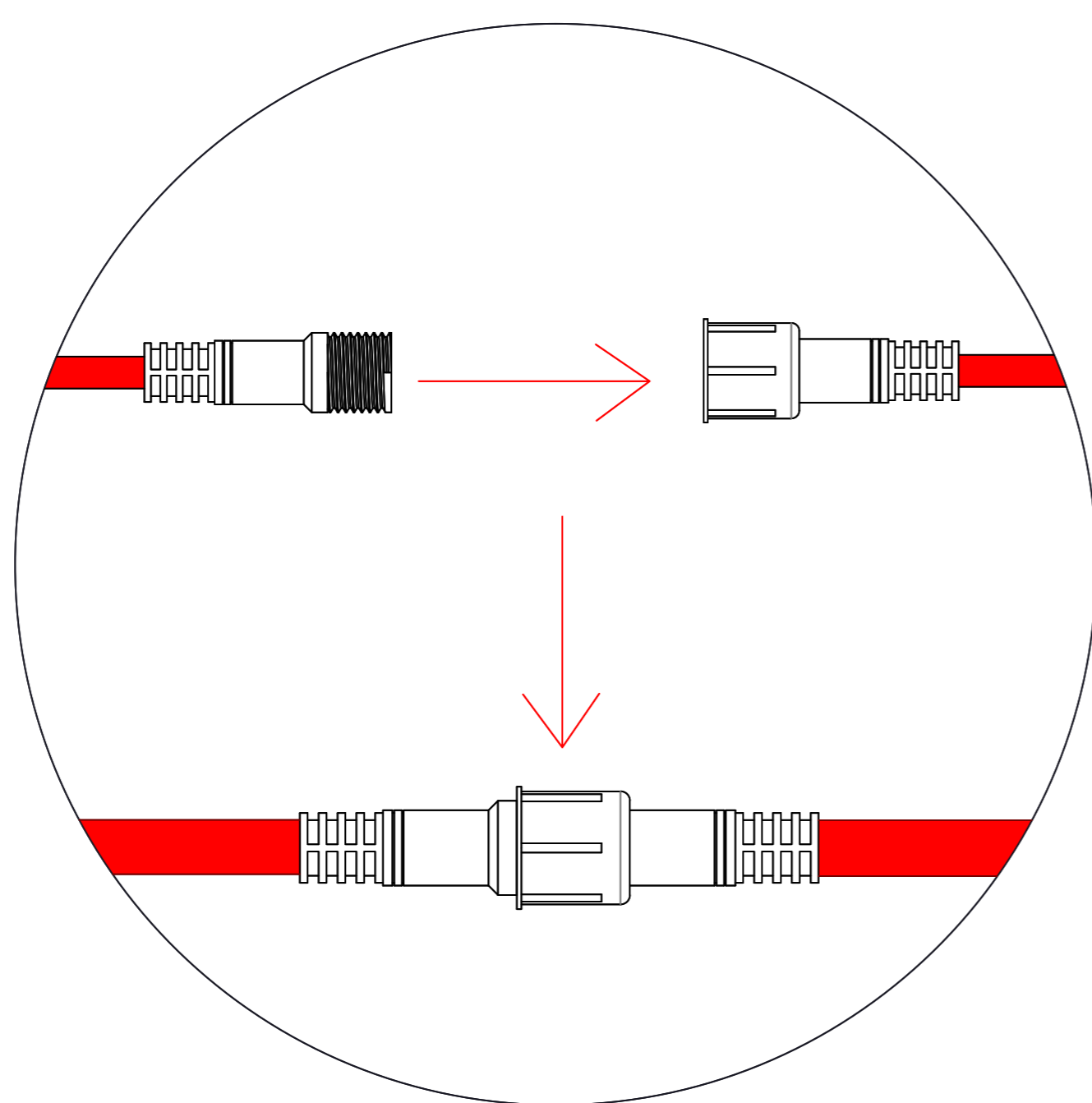
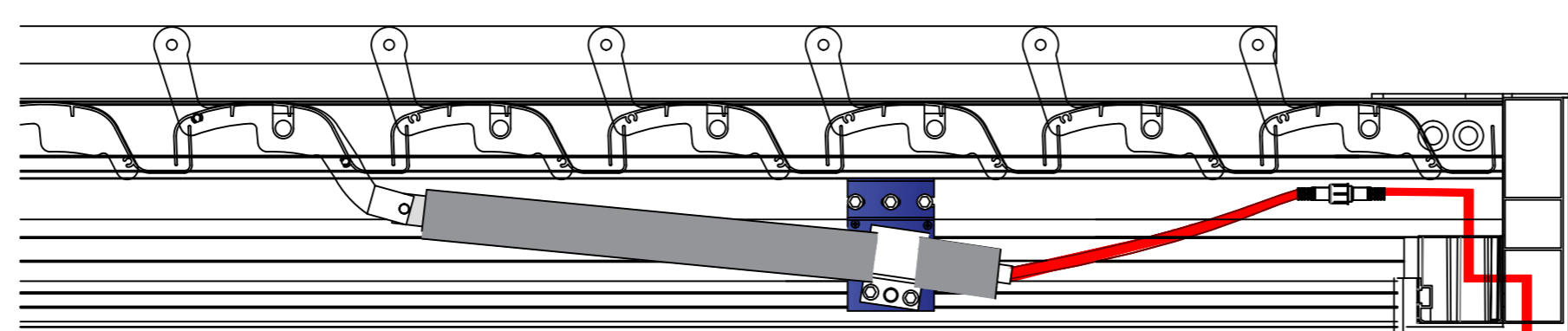


1B-30		2
1B-31		2





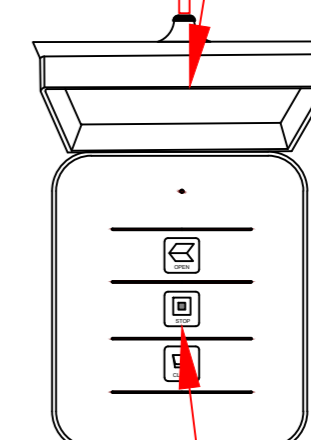
The control box is not on the post



Wires Diagram

Power in: 220V
Power Out To
Motor: DC24V

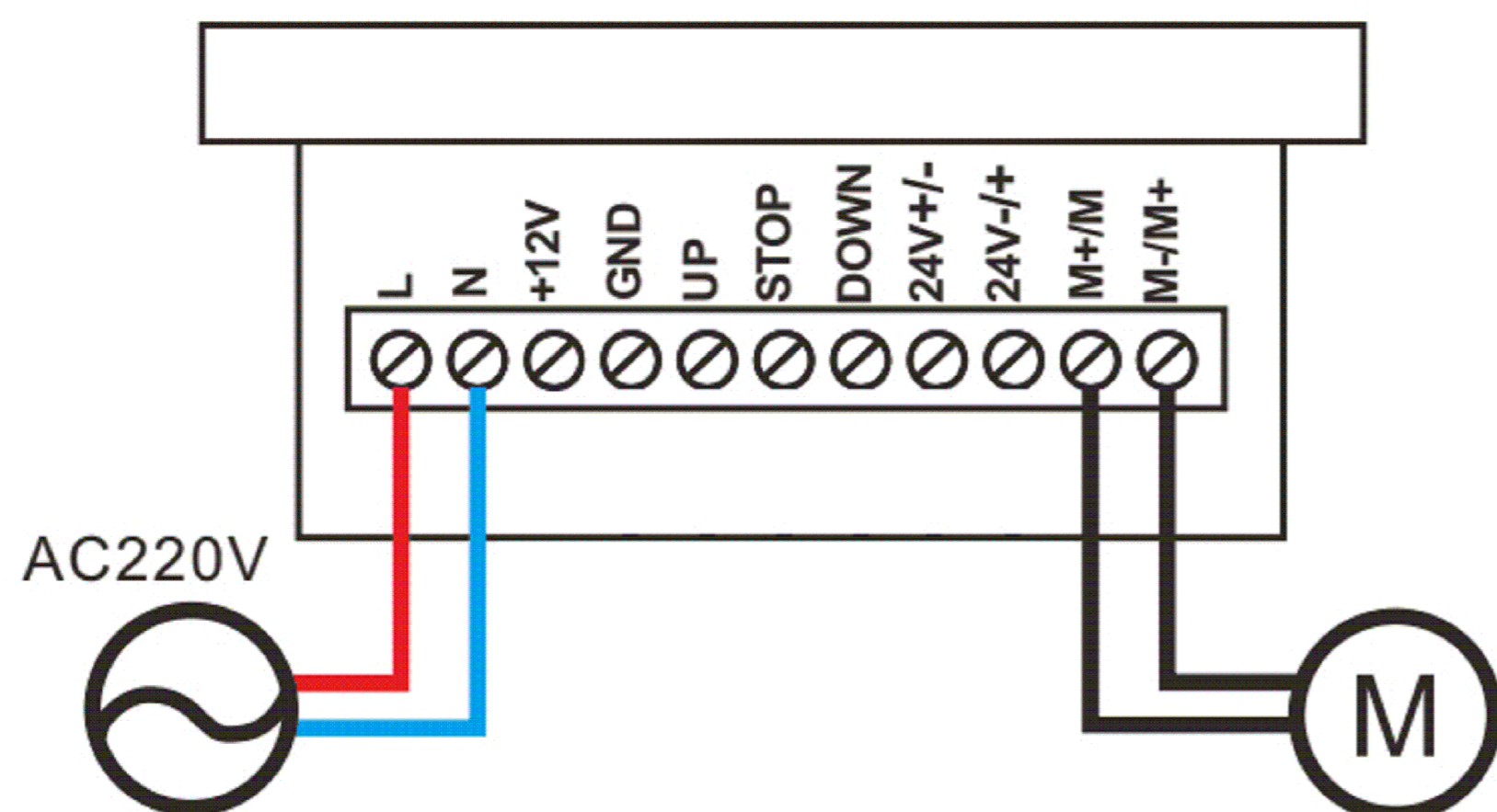
MOTOR 1B-31



1B-30

AC 220V

E022
E012



1B-30		2
1B-31		2

